



**Count on it.**

**Parts Catalog**

**Dingo® TX 420  
Compact Utility Loader**

Model No. 22306—Serial No. 280000001 and Up

Model No. 22306G—Serial No. 280000001 and Up



# Ordering Replacement Parts

To order replacement parts, please supply the part number, the quantity, and the description of each part desired.

## Understanding Reference Numbers

Each identified part in an illustration has a reference number. The reference number for a part also appears in the parts list, along with other information about the part.

This catalog uses two special reference number formats, one to indicate parts in a service assembly and another to indicate the quantity of a given part in an illustration.

## Service Assembly Reference Numbers

Parts in service assemblies have reference numbers in the form a:b. The a represents the reference number of the entire service assembly and the b represents a sequential number unique to each part within the service assembly.

For example, a wheel assembly might be identified by reference number 6, the tire by 6:1, the valve by 6:2, and the wheel by 6:3. When you order the assembly identified by reference number 6, you receive all parts identified by reference numbers 6:1, 6:2, and 6:3. However, you may also order any part individually. Reference numbers of this type appear in illustration and in parts lists.

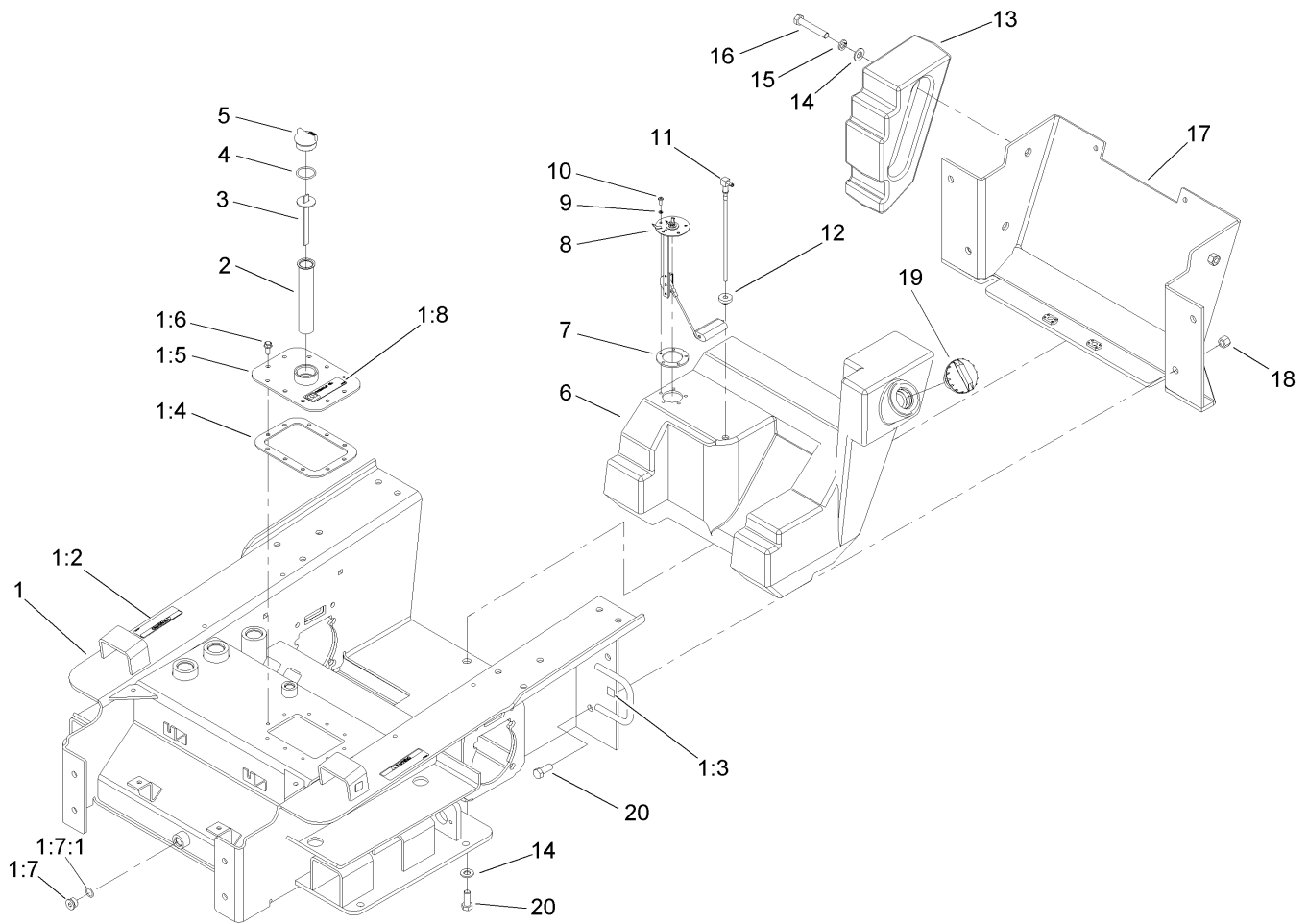
## Reference Numbers Indicating Quantity

In an illustration, if a reference number indicates more than one part, the reference number has the form nX y. The n represents the quantity of the part, the X is the multiplication symbol, and the y represents the reference number.

For example, in an illustration, the reference number 2X 37 means that two of the parts identified by reference number 37 are indicated.

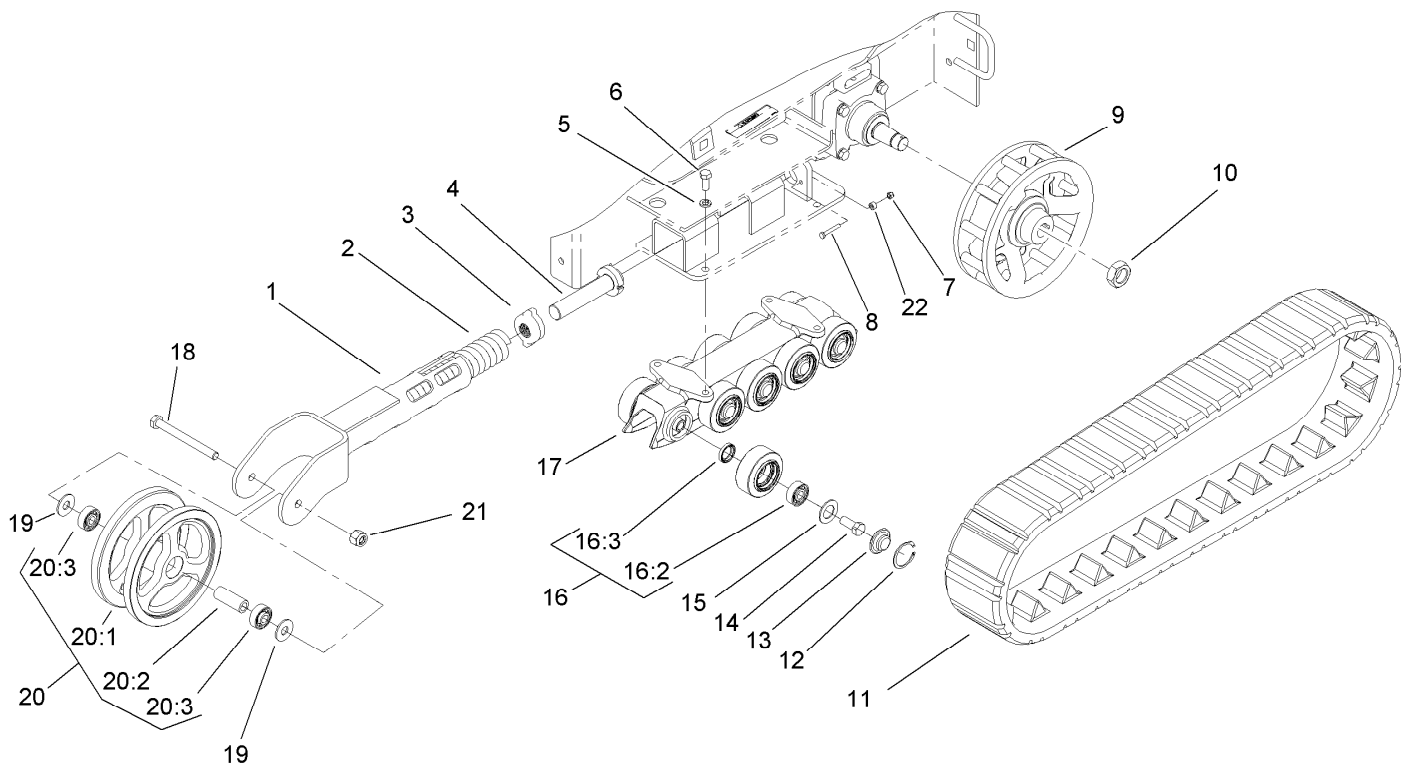
# Contents

Main Frame and Fuel Tank Assembly	4
Track and Traction Assembly	5
Parking Brake Assembly	6
Loader Tower and Drive Assembly	7
Traction Hydraulic Assembly	8
Hydraulic Pump Assembly No. 106-5705 and 106-5706	9
Hydraulic Motor Assembly No. 106-7654	10
Engine and Mount Assembly	11
Hydraulic Pump and Filter Assembly	12
Hydraulic Gear Pump Assembly No. 106-7650	13
Control Panel Assembly	14
Traction Control Assembly	15
Principal Hydraulic Assembly	16
Two Spool Valve Assembly No. 106-9307	18
One Spool Valve Assembly No. 104-2831	19
Loader Arm Assembly	20
Loader Arm Hydraulic Assembly	21
Left Hand Hydraulic Lift Cylinder Assembly No. 104-6267	22
Right Hand Hydraulic Lift Cylinder Assembly No. 104-6269	23
Hydraulic Cylinder Assembly No. 105-8370	24
Quick Attach Assembly	25
Electrical System Assembly	26
Grill Assembly	27
Hydraulic Oil Cooler Assembly	28
Hood Assembly	29
Rear Access Cover Assembly	30
Crankshaft Assembly Kohler CH20S-64762	31
Crankcase Assembly Kohler CH20S-64762	32
Oil Pan and Lubrication Assembly Kohler CH20S-64762	33
Head, Valve and Breather Assembly Kohler CH20S-64762	34
Ignition and Electrical Assembly Kohler CH20S-64762	36
Blower Housing and Baffle Assembly Kohler CH20S-64762	37
Starting System Assembly Kohler CH20S-64762	38
Fuel System Assembly Kohler CH20S-64762	39
Engine Control Assembly Kohler CH20S-64762	40
Air Intake and Filtration Assembly Kohler CH20S-64762	41
Exhaust Assembly Kohler CH20S-64762	42



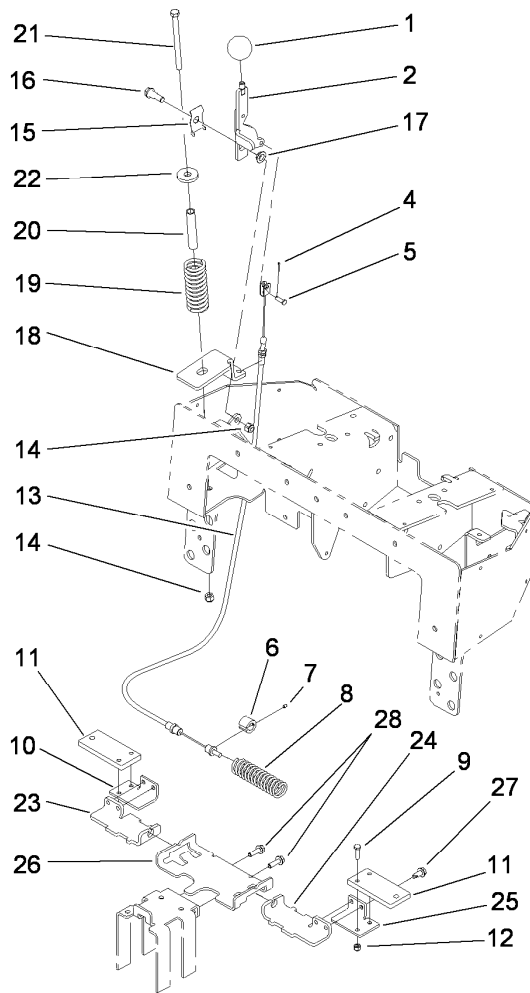
## Main Frame and Fuel Tank Assembly

<i>Ref.</i>	<i>Part Number</i>	<i>Qty.</i>	<i>Description</i>	<i>Ref.</i>	<i>Part Number</i>	<i>Qty.</i>	<i>Description</i>
1	115-0749	1	Chassis ASM	7	113372	1	Gasket-Sender, Fuel
1:2	100-6141	2	Decal-Pinch	8	100-1298	1	Sender-Fuel
1:3	93-9084	4	Decal-Point, Lift	9	3253-17	5	Washer-Lock
1:4	100-1253	1	Gasket-Cover, Access	10	3250-31	5	Screw-PPH
1:5	104-8389-01	1	Tank Cover ASM	11	98-0185	1	Pipe-Stand
1:6	98-9940	10	Screw-HHF	12	46-6560	1	Bushing
1:7	353-988	2	Plug-Hex	13	99-6165-01	2	Counterweight-Rear
1:7:1	237-79	1	O-Ring	14	3256-26	6	Washer-Flat
1:8	105-8432	1	Decal-Oil, HYD	15	3253-7	4	Washer-Lock
2	61-2790	1	Filter-Screen	16	325-12	4	Screw-HH
3	100-2097	1	Dipstick-Oil	17	106-9388-01	1	Rear Chassis Cover ASM
4	237-123	1	O-Ring	18	3296-23	4	Nut-Lock, NI
5	93-7498	1	Plug-Plastic	19	93-3101	1	Cap-Fuel
6	95-3619	1	Tank-Fuel	20	325-5	6	Screw-HH



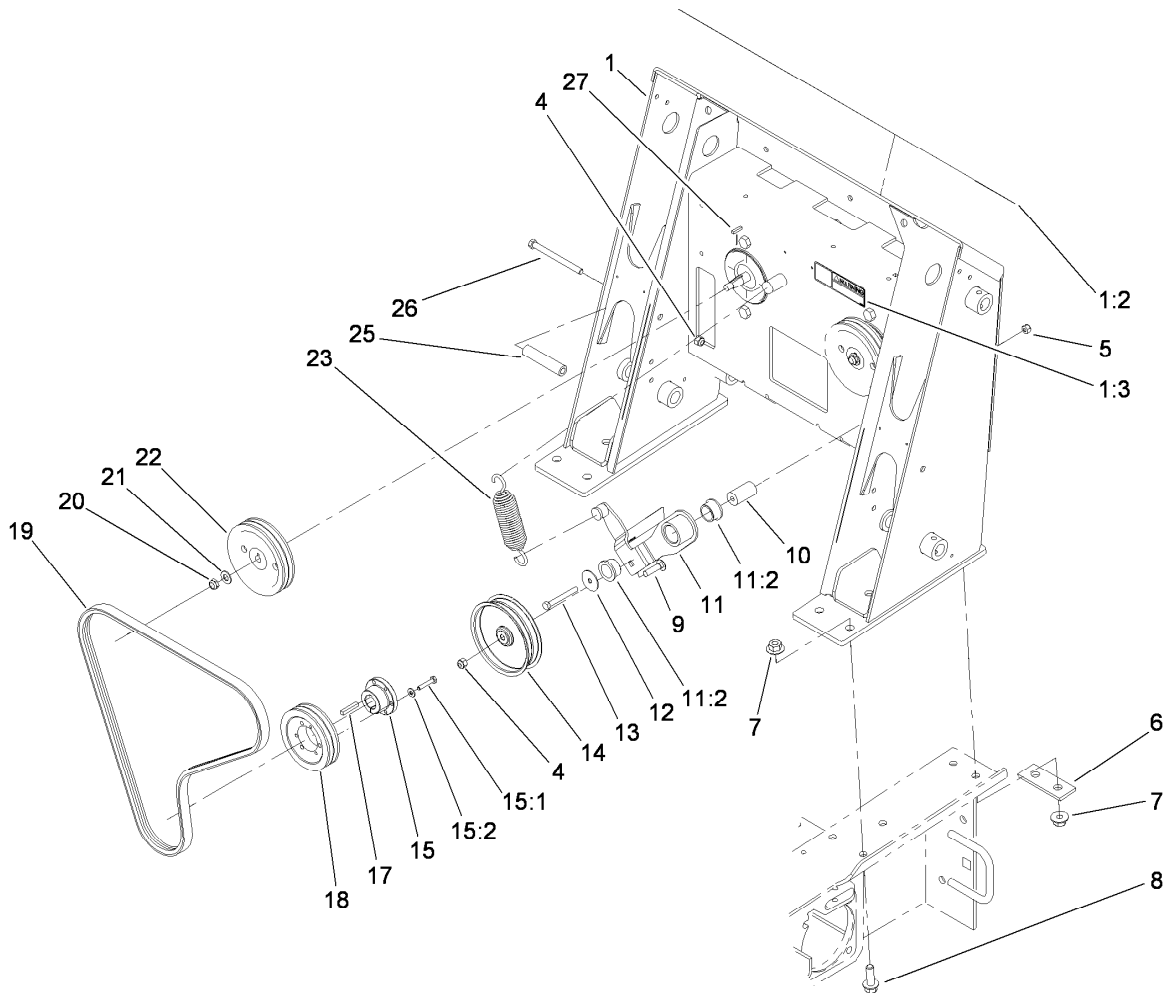
## Track and Traction Assembly

<i>Ref.</i>	<i>Part Number</i>	<i>Qty.</i>	<i>Description</i>	<i>Ref.</i>	<i>Part Number</i>	<i>Qty.</i>	<i>Description</i>
1	108-4691-03	2	Arm-Tensioner	15	106-7585	20	Gasket-Bogie
2	95-3624	2	Spring-Compression	16	106-7621	20	Road Wheel ASM
3	108-4664	2	Block-Tensioner	16:2	93-4237	1	Bearing
4	98-9846	2	Bolt-Tensioner	16:3	253-118	1	Seal-Oil
5	3253-7	8	Washer-Lock	17	106-7590-03	2	Guide-Track
6	325-5	8	Screw-HH	18	327-17	2	Screw-HH
7	32128-32	2	Nut-HHF	19	3256-7	4	Washer-Flat
8	321-37	2	Screw-HH	20	104-5745	2	Tensioner Wheel ASM
9	108-5643-03	2	Wheel-Drive	20:1	104-5747-03	1	Wheel-Tensioner
10	107-9319	2	Nut-Hex	20:2	98-9835	1	Spacer-Wheel, Tensioner
11	98-9800	2	Track	20:3	93-4237	2	Bearing
12	106-7595	20	Ring-Snap, Internal	21	3296-24	2	Nut-Hex
13	106-7557	20	Cap-Wheel, Bearing	22	98-4799	2	Spacer
14	327-4	20	Screw-HH				



## Parking Brake Assembly

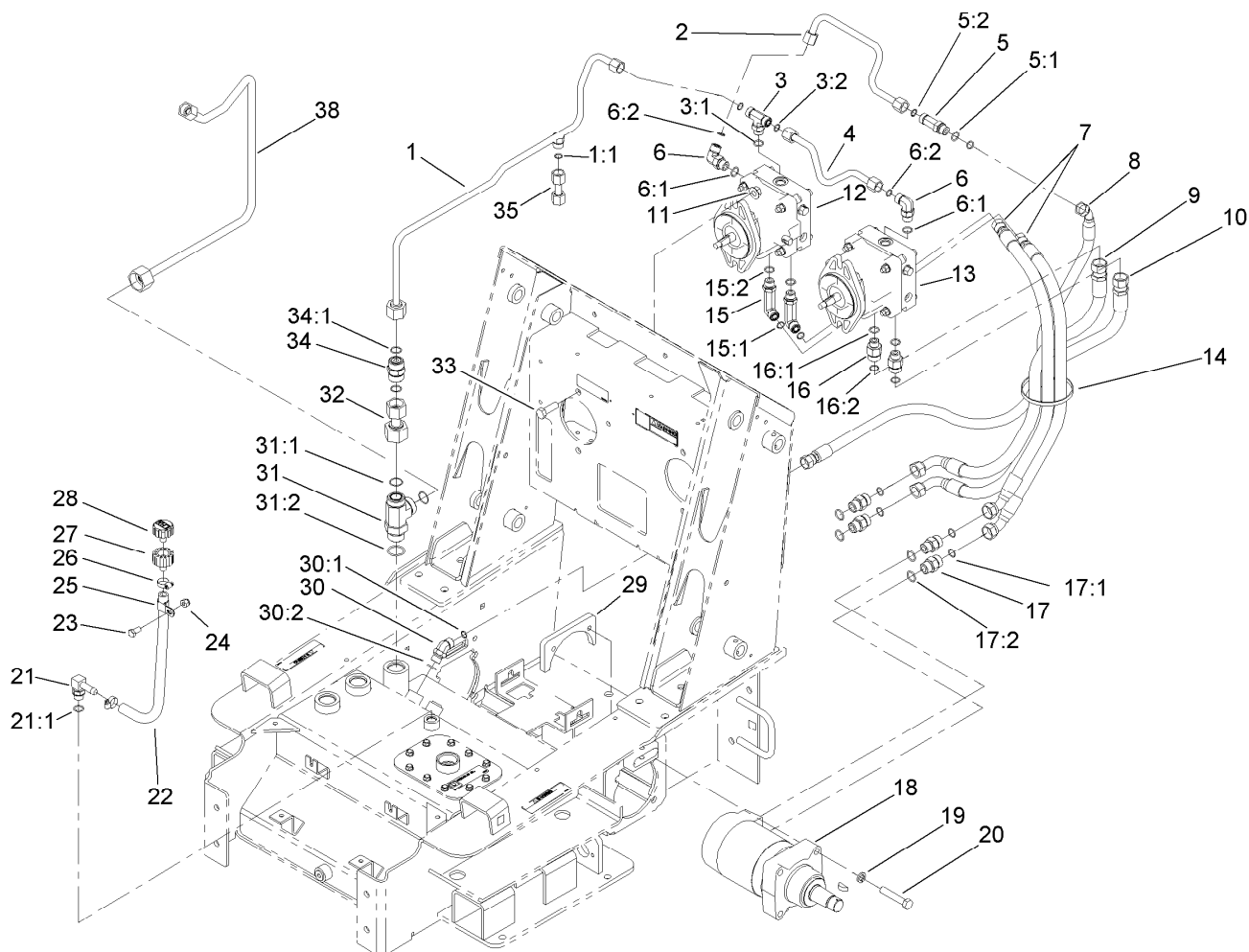
<i>Ref.</i>	<i>Part Number</i>	<i>Qty.</i>	<i>Description</i>	<i>Ref.</i>	<i>Part Number</i>	<i>Qty.</i>	<i>Description</i>
1	233-21	1	Knob	16	94-6177	1	Bolt-Shoulder
2	112-2694-03	1	Handle-Brake	17	93-2368	1	Bushing-Flange
4	3272-1	1	Pin-Cotter	18	114-1253	1	Bracket-Cable, Spring
5	283-67	1	Pin-Clevis	19	114-1254	1	Spring-Compression
6	100-6274	2	Tube-Guide	20	114-1255	1	Spacer-Spring
7	3245-20	2	Screw-Set	21	323-21	1	Screw-HH
8	100-1678	1	Spring	22	98-0691	1	Washer-Hardened
9	321-6	4	Screw-HH	23	112-2788-03	1	Bracket-Mounting, Brake RH
10	112-2789-03	1	Bar-Link, Brake RH	24	112-2733-03	1	Bracket-Mounting, Brake LH
11	112-2735-03	2	Plate-Brake	25	112-2734-03	1	Bar-Link, Brake LH
12	3296-42	4	Nut-Lock, NI	26	110-0224-03	1	Support-Bar, Brake
13	112-2791	1	Cable-Brake	27	32104-32	4	Screw-HWH
14	3296-39	2	Nut-Lock, NI	28	3234-17	2	Screw-HHF
15	112-2695	1	Spring-Leaf				



## Loader Tower and Drive Assembly

<i>Ref.</i>	<i>Part Number</i>	<i>Qty.</i>	<i>Description</i>
1	115-0759	1	Loader Tower ASM
1:2	108-4658	1	Decal-Panel, Control
1:3	80-8040	1	Decal-Warning
4	3296-39	3	Nut-Lock, NI
5	3296-29	1	Nut-Lock, NI
6	100-6123-01	2	Plate-Stiffener
7	32128-52	10	Nut-Lock, Flange
8	100-6116	10	Screw-HHF
9	3231-26	1	Screw-CARR
10	104-5739	1	Spacer-Mounting
11	99-6167	1	Idler Arm ASM
11:2	256-132	2	Bushing-Flange
12	3256-68	1	Washer-Flat
13	322-13	1	Screw-HH

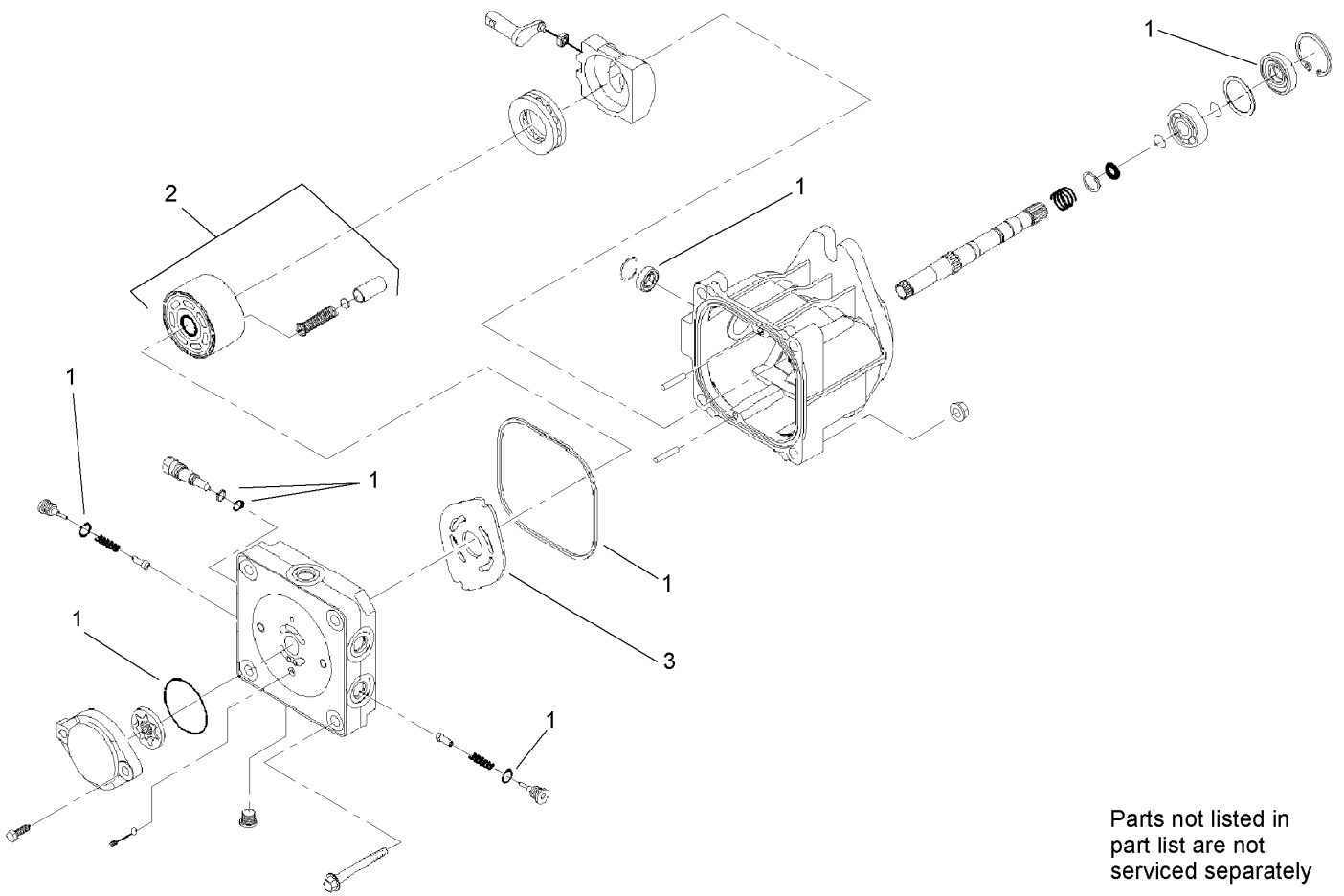
<i>Ref.</i>	<i>Part Number</i>	<i>Qty.</i>	<i>Description</i>
14	95-3707	1	Pulley-Idler
15	61-3340	1	Bushing
15:1	321-13	3	Screw-HH
15:2	3253-2	3	Washer-Lock
17	67-7490	1	Key-Square
18	61-3330	1	Pulley
19	95-3611	1	V-Belt
20	3296-38	2	Nut-Lock, NI
21	3256-25	2	Washer-Flat
22	106-5710-03	2	Pulley
23	105-0383	1	Spring-Extension
25	100-1271	2	Tube-Spacer
26	323-23	2	Screw-HH
27	3-6168	2	Key



## Traction Hydraulic Assembly

Ref.	Part Number	Qty.	Description	Ref.	Part Number	Qty.	Description
1	108-4665	1	HYD Tube ASM	17:1	237-65	1	O-Ring
1:1	237-30	1	O-Ring	17:2	237-80	1	O-Ring
2	98-0200	1	Tube-HYD	18	106-7654	2	HYD Motor ASM
3	340-157	1	Fitting-HYD, Tee	19	3253-7	8	Washer-Lock
3:1	237-79	1	O-Ring	20	325-12	8	Screw-HH
3:2	237-30	2	O-Ring	21	354-120	1	Fitting-Elbow, 90
4	106-9330	1	Tube-HYD	21:1	237-79	1	O-Ring
5	340-109	1	Fitting-Tee	22	106-5709	1	Hose-Vent
5:1	237-79	1	O-Ring	23	323-4	1	Screw-HH
5:2	237-30	2	O-Ring	24	3296-39	1	Nut-Lock, NI
6	340-98	2	Fitting-Elbow, 90 DEG	25	2412-4	1	Clamp-R
6:1	237-79	1	O-Ring	26	2412-36	2	Clamp-Hose
6:2	237-30	1	O-Ring	27	92-8020	1	Adapter-Breather
7	98-0233	2	Hose-HYD	28	68-6150	1	Breather
8	98-0201	1	Hose-HYD	29	98-2763-03	2	Plate-Mounting
9	98-0235	1	HYD Hose ASM	30	340-101	1	Fitting-HYD, 45 DEG
10	98-0177	1	HYD Hose ASM	30:1	237-30	1	O-Ring
11	32128-23	4	Nut-HF	30:2	237-79	1	O-Ring
12	106-5706	1	RH HYD Pump ASM	31	104-3795	1	Fitting-Tee
13	106-5705	1	LH HYD Pump ASM	31:1	340-65	2	O-Ring
14	3334-945	1	Tie-Cable	31:2	237-146	1	O-Ring
15	99-6160	2	Fitting-Elbow, 90 Long	32	105-0226	1	Tube-HYD
15:1	237-30	1	O-Ring	33	325-6	4	Screw-HH
15:2	237-79	1	O-Ring	34	99-6161	1	HYD Check Valve ASM
16	340-155	2	Fitting-Straight	34:1	237-58	2	O-Ring
16:1	237-79	1	O-Ring	35	108-4666	1	Tube-HYD
16:2	237-151	1	O-Ring	38	106-9332	1	HYD Tube ASM
17	340-7	4	Fitting-Straight				

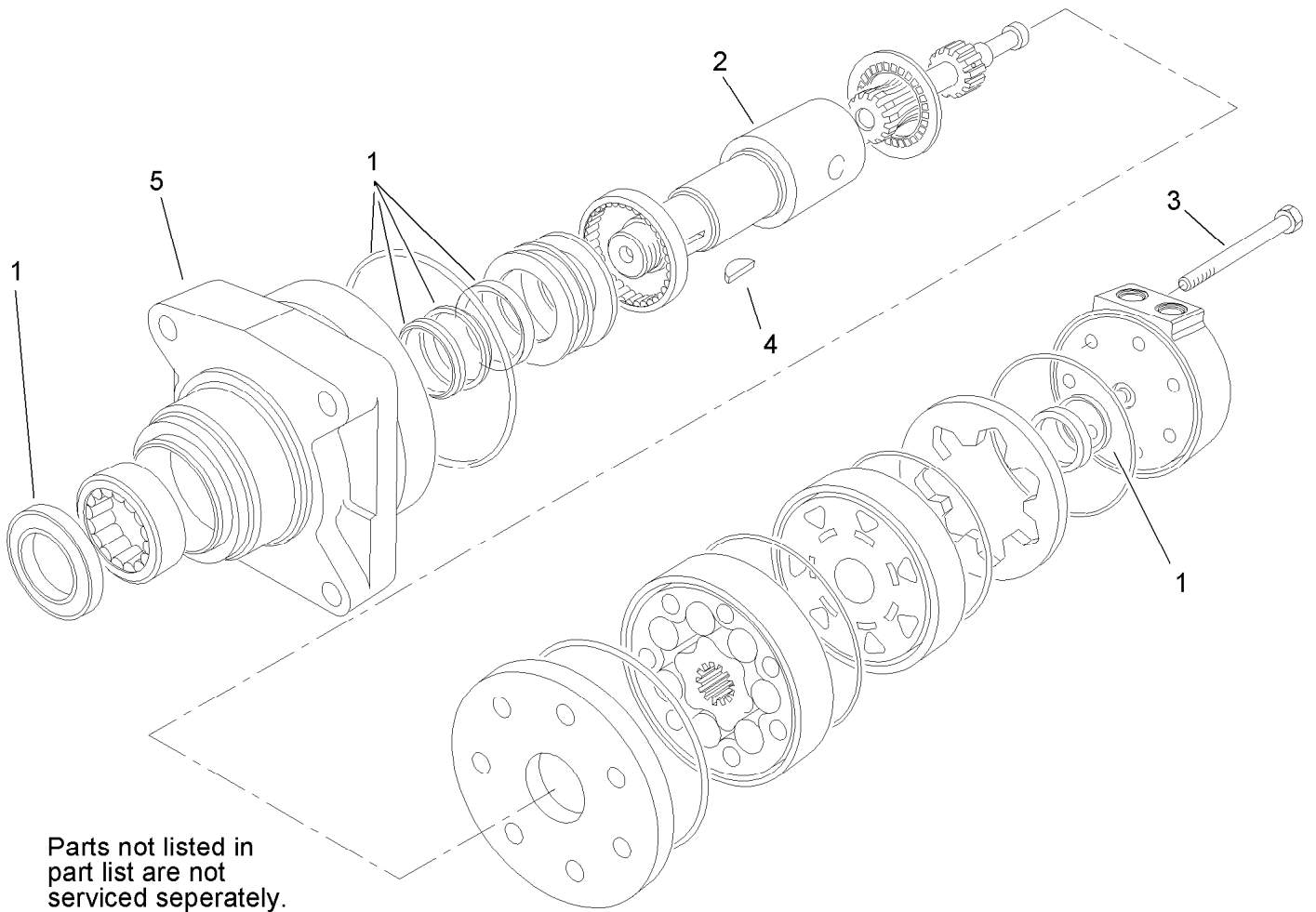




Parts not listed in  
part list are not  
serviced separately

## Hydraulic Pump Assembly No. 106-5705 and 106-5706

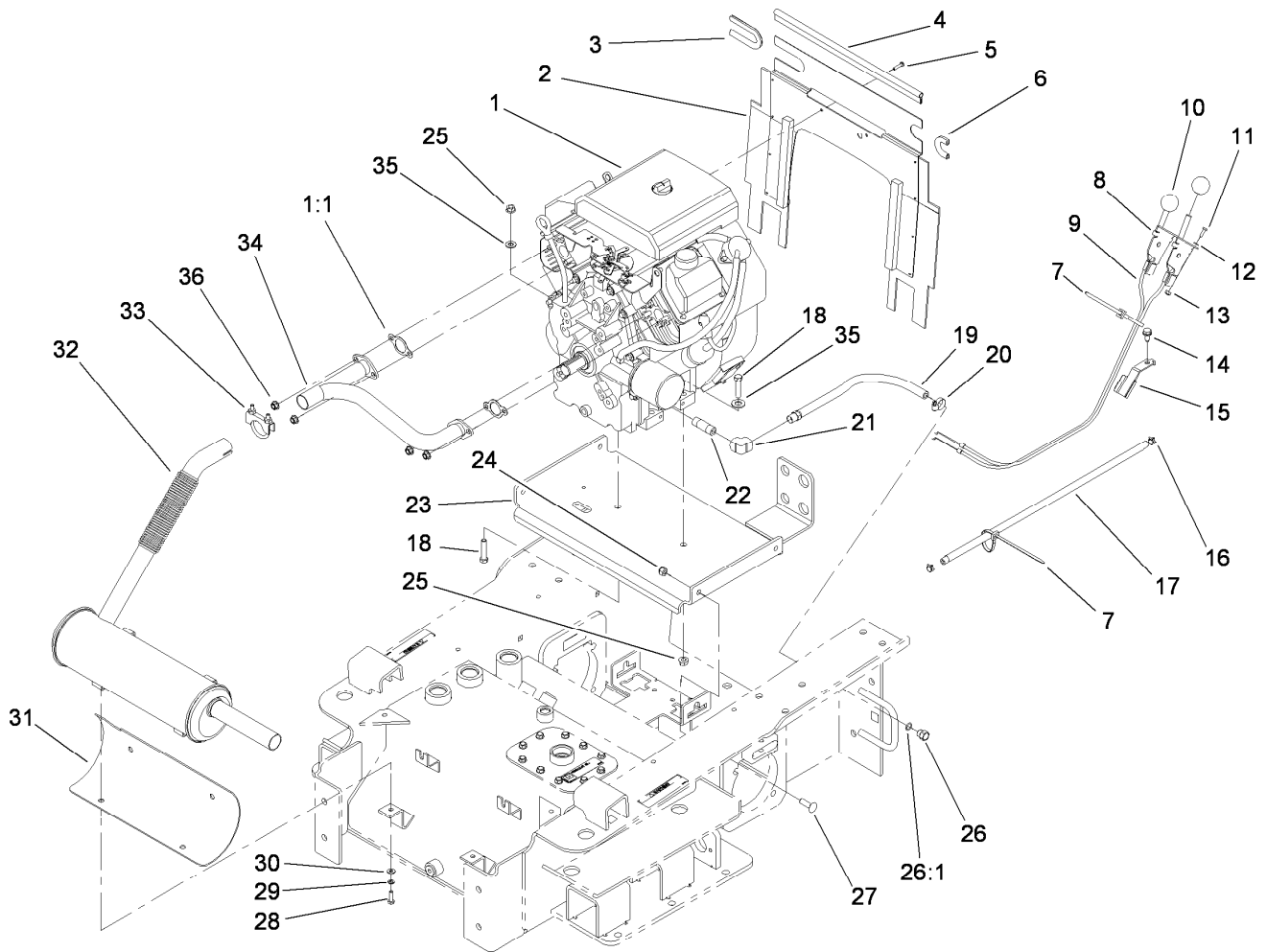
<i>Ref.</i>	<i>Part Number</i>	<i>Qty.</i>	<i>Description</i>
1	100-6110	1	Overhaul Seal Kit
2	94-1913	1	Cylinder Block ASM
3	100-6112	1	Plate-Valve



Parts not listed in  
part list are not  
serviced seperately.

## Hydraulic Motor Assembly No. 106-7654

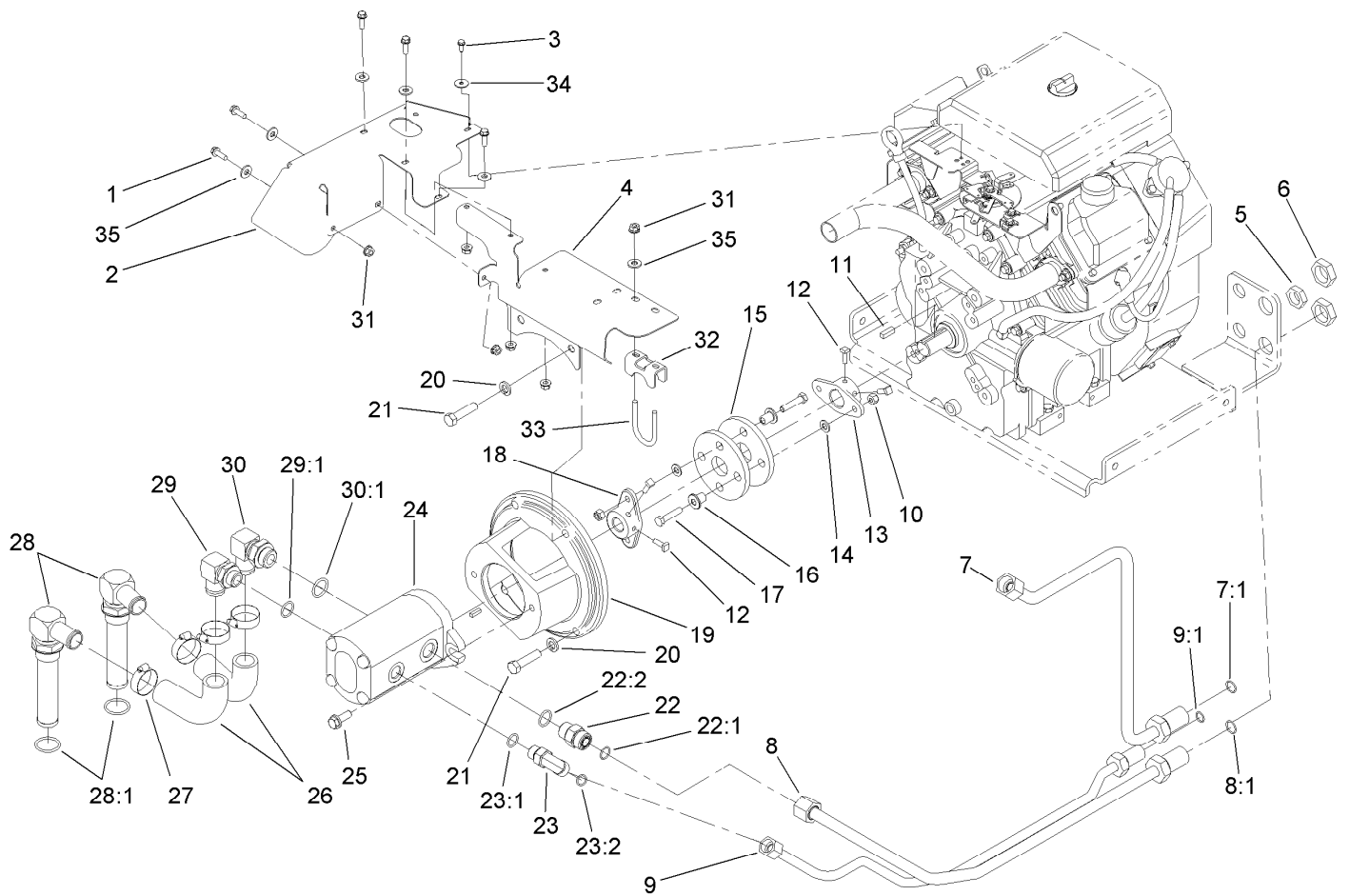
<i>Ref.</i>	<i>Part Number</i>	<i>Qty.</i>	<i>Description</i>
1	100-6131	1	Seal Kit
2	106-7645	1	Coupling-Shaft
3	100-4241	7	Screw-HH
4	3257-42	1	Key-Woodruff
5	108-5634	1	Motor Housing ASM



## Engine and Mount Assembly

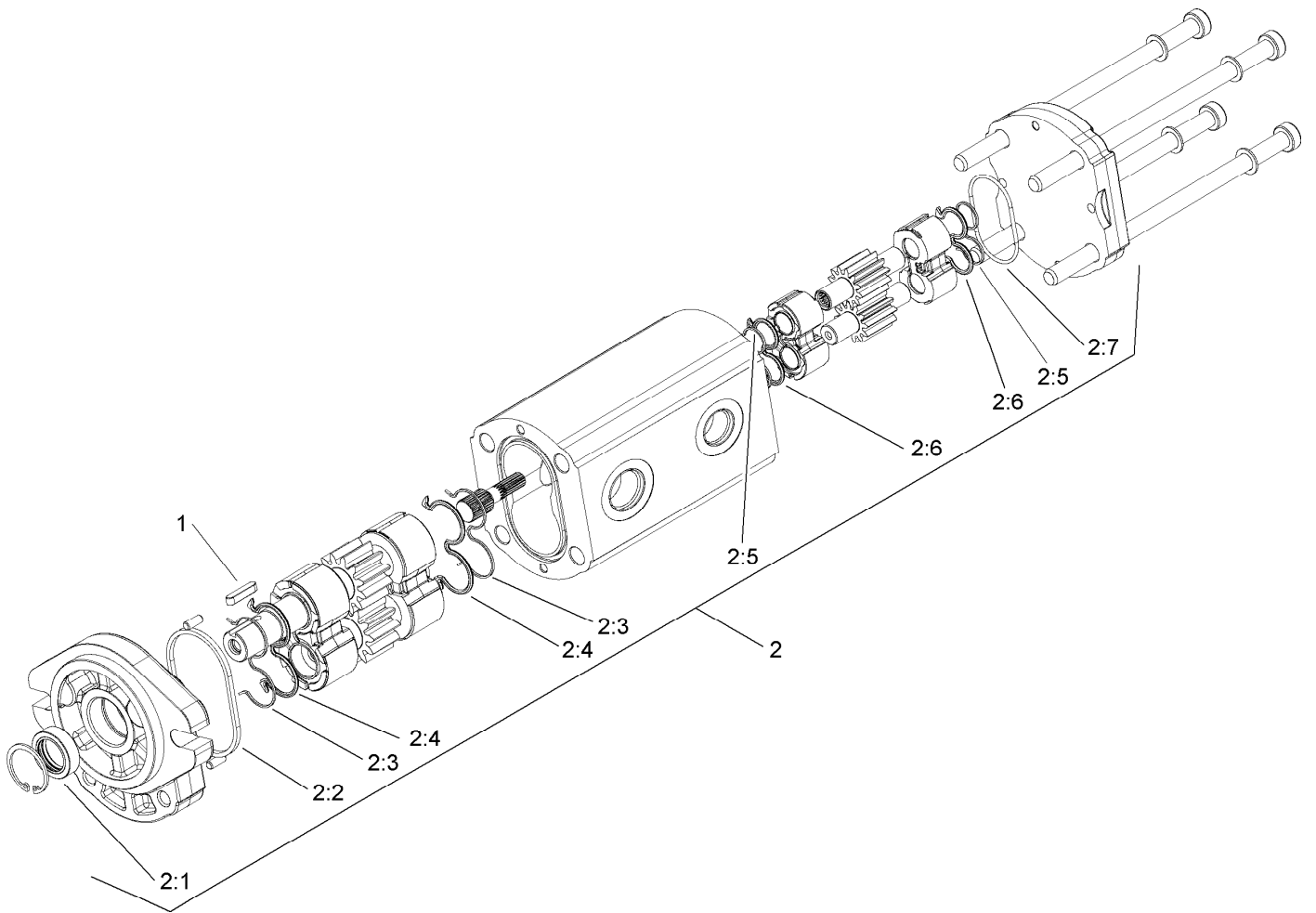
Ref.	Part Number	Qty.	Description	Ref.	Part Number	Qty.	Description
1		1	Engine-Kohler, Ch20S-64762 ●	19	100-1256	1	Oil Hose ASM
1:1	93-0350	2	Gasket-Exhaust	20	2412-36	1	Clamp-Hose
2	115-0723	1	Engine Baffle ASM	21	94-9650	1	Elbow-90 DEG
3	105-0378	1	Seal-Strip, 6.5 Inch	22	289-42	1	Nipple
4	106-5749	1	Seal-Strip, 16 Inch	23	114-1288-03	1	Plate-Mounting, Engine
5	32144-36	2	Screw-PPH	24	3296-39	4	Nut-Lock, NI
6	105-0377	1	Seal-Strip, 3 Inch	25	32128-21	4	Nut-HF Lock
7	3290-378	2	Tie-Cable	26	353-508	1	Plug-HH
8	108-9730	2	Lever-Control	26:1	237-42	1	O-Ring
9	108-4679	2	Cable-Throttle/Choke	27	3231-28	4	Screw-CARR
10	233-42	2	Knob	28	321-5	4	Screw-HH
11	3290-134	4	Screw	29	3253-3	4	Washer-Lock
12	3256-51	4	Washer-Flat	30	3256-78	4	Washer-Flat
13	3296-2	4	Nut-Lock, NI	31	98-2762	1	Shield-Heat, Muffler
14	32144-70	1	Screw-HWHTF	32	105-0249	1	Muffler
15	100-1299-03	1	Guide-Cable	33	2112-11	1	Clamp-Muffler
16	2412-98	2	Clamp-Hose	34	110-0150	1	Manifold-Crossover
17	109-0301	1	Hose-Fuel	35	48-9220	4	Washer-Flat
18	323-53	4	Screw-HH	36	112-2844	4	Nut-HF

● Obtain parts from [www.kohlerplus.com](http://www.kohlerplus.com)



## Hydraulic Pump and Filter Assembly

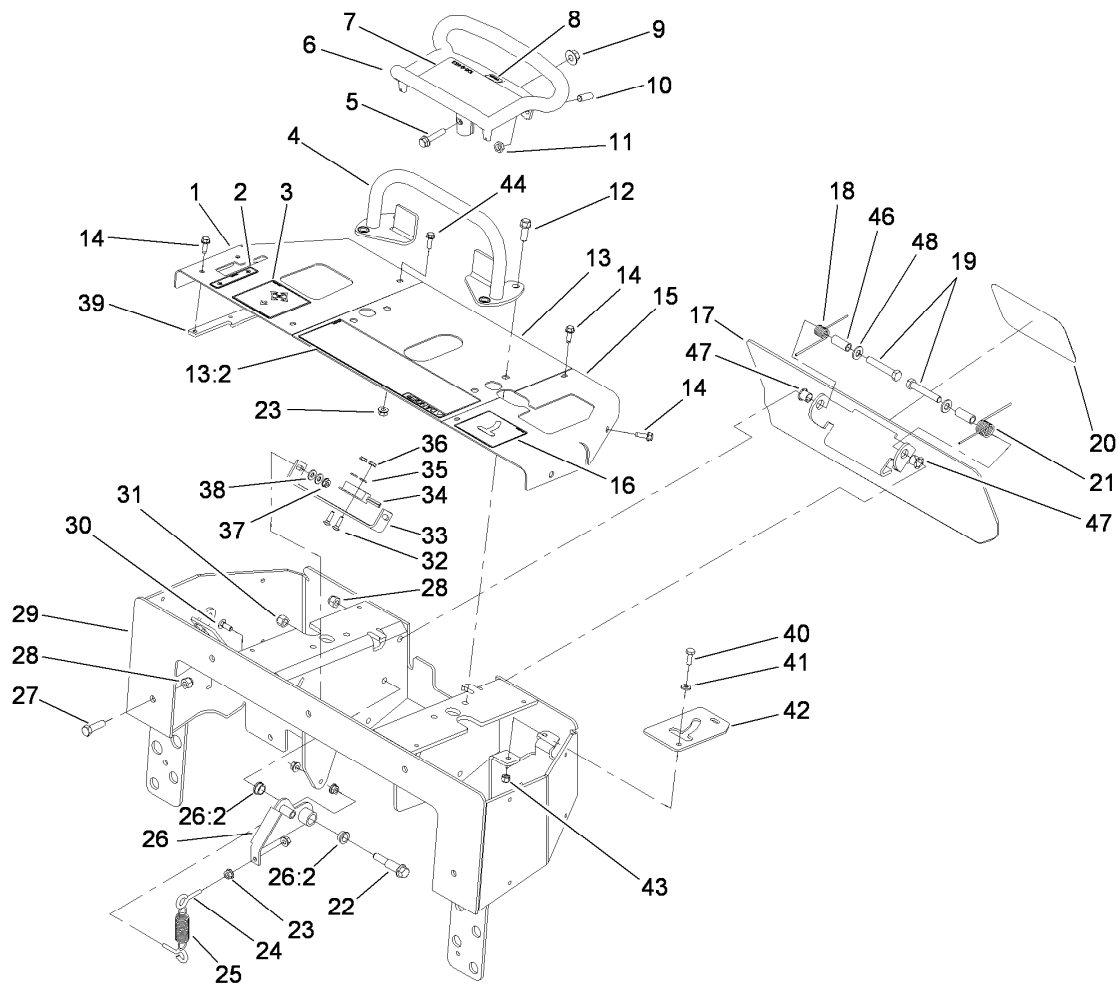
Ref.	Part Number	Qty.	Description	Ref.	Part Number	Qty.	Description
1	32105-15	5	Screw-HWH	21	324-7	4	Screw-HH
2	112-2667	1	Shield-Heat	22	340-7	1	Fitting-Straight
3	32144-112	1	Screw-HWH	22:1	237-65	1	O-Ring
4	112-2666	1	Shield-Heat	22:2	237-80	1	O-Ring
5	340-127	1	Nut-Bulkhead	23	340-98	1	Fitting-Elbow, 90 DEG
6	340-74	2	Nut-Lock, Bulkhead	23:1	237-79	1	O-Ring
7	106-9333	1	HYD Tube ASM	23:2	237-30	1	O-Ring
7:1	237-65	1	O-Ring	24	106-7650	1	HYD Pump ASM
8	98-2783	1	HYD Tube ASM	25	66-9300	2	Screw-HHF
8:1	237-65	1	O-Ring	26	105-0201	2	Hose-Suction, Formed
9	106-9393	1	HYD Tube ASM	27	2412-34	4	Clamp-Hose
9:1	237-30	1	O-Ring	28	105-0204	2	Strainer Fitting ASM
10	3296-29	4	Nut-Lock, NI	28:1	237-146	1	O-Ring
11	10-7070	1	Key-Square	29	61-2710	1	Stem-Hose, 90 DEG
12	3241-6	4	Screw-SQH	29:1	237-117	1	O-Ring
13	110-5236	1	Hub-Engine	30	100-4202	1	Fitting-90
14	3256-23	4	Washer-Plain	30:1	237-81	1	O-Ring
15	44-2230	2	Coupling-Rubber	31	32128-32	7	Nut-HHF
16	71-4411	4	Spacer	32	112-2688	1	Clamp-Pipe
17	322-8	4	Screw-HH	33	112-2689	1	U-Bolt
18	110-9695	1	Hub-Pump	34	3256-61	1	Washer-Flat
19	98-2751-03	1	Mount-Pump	35	3256-2	7	Washer-Flat
20	3253-6	4	Washer-Lock				



## Hydraulic Gear Pump Assembly No. 106-7650

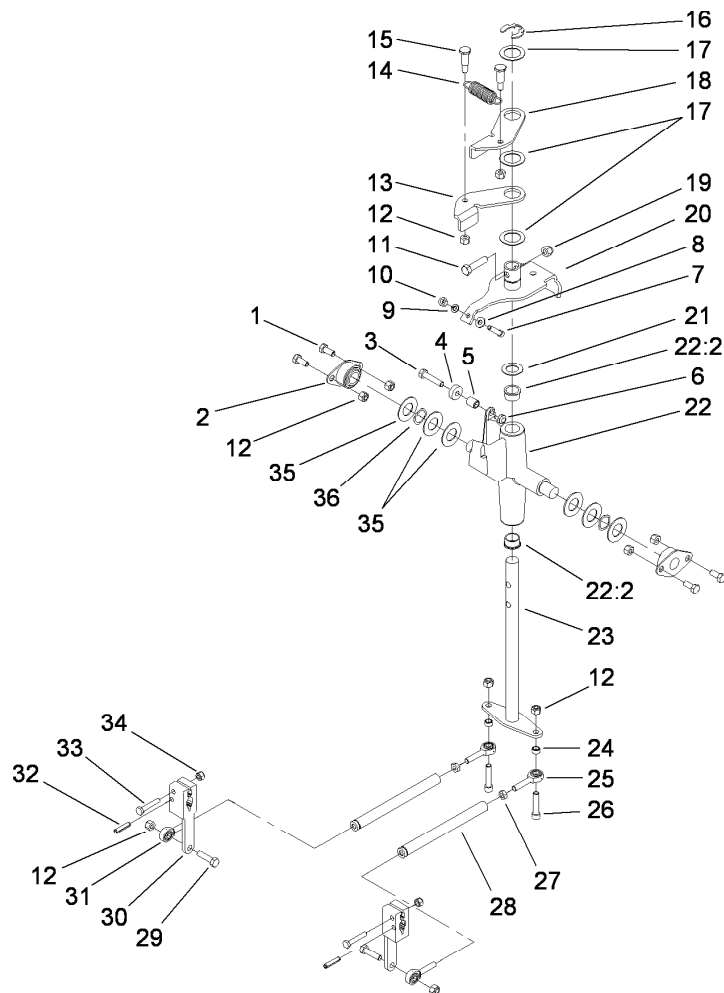
<i>Ref.</i>	<i>Part Number</i>	<i>Qty.</i>	<i>Description</i>
1	100-4238	1	Key-Square
2	107-9316	1	Seal Kit
2:1		1	Seal-Shaft ●
2:2		1	Seal-Square ●
2:3		2	Ring-Backup ●
2:4		2	Seal-Gear ●
2:5		2	Ring-Backup ●
2:6		2	Seal-Gear, Rear ●
2:7		1	O-Ring ●

● Not serviced separately



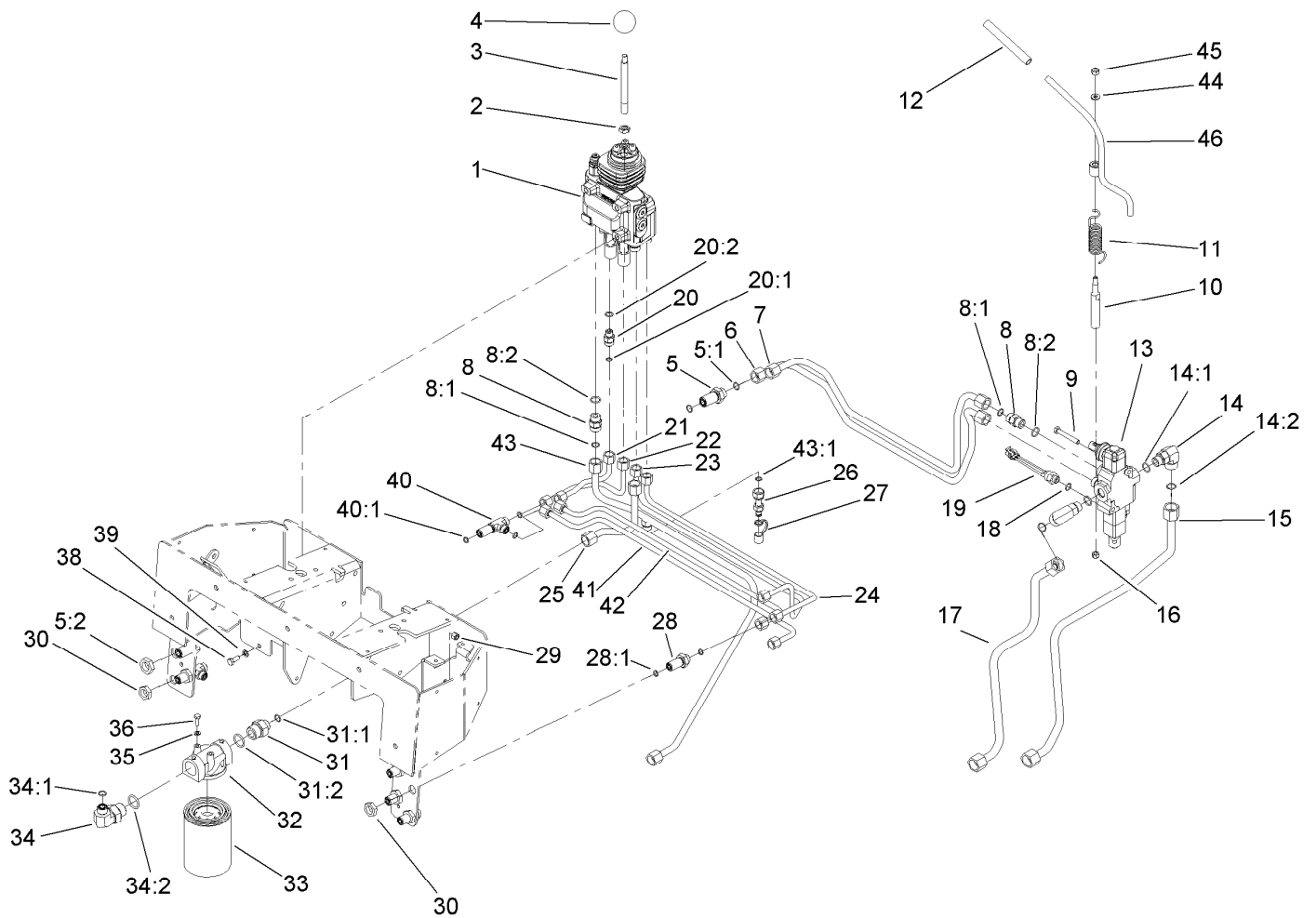
## Control Panel Assembly

<i>Ref.</i>	<i>Part Number</i>	<i>Qty.</i>	<i>Description</i>	<i>Ref.</i>	<i>Part Number</i>	<i>Qty.</i>	<i>Description</i>
1	112-2690-01	1	Panel-RH	25	108-4724	1	Spring-Extension
2	108-4671	1	Decal-Brake	26	100-4203	1	Neutral Centering Lever ASM
3	108-4670	1	Decal-Loader	26:2	256-156	2	Bushing-Flange
4	106-7715	1	Bar-Reference	27	323-7	5	Screw-HH
5	3234-18	1	Screw-HHF	28	3296-39	7	Nut-Lock, NI
6	106-7614-03	1	Handle-Control	29	110-0228-01	1	Panel-Control
7	106-9453	1	Decal-Traction	30	3229-1	2	Screw-CARR
8	98-1459	1	Decal	31	3296-6	1	Nut-Lock
9	32128-43	1	Nut-Flange	32	3229-20	2	Screw-CARR
10	3247-6	2	Screw-Set	33	100-1263	1	Plate-Switch
11	3218-3	2	Nut-Jam	34	100-1270	1	Switch-Proximity
12	95-1726	4	Screw-Taptite	35	3256-51	2	Washer-Flat
13	108-4673	1	Center Panel ASM	36	32149-7	2	Nut-Keps
13:2	108-4674	1	Decal-Danger	37	32149-2	2	Nut-Keps
14	9266714	9	Screw-HWH	38	3256-22	4	Washer-Flat
15	112-2737-01	1	Panel-LH	39	112-2691-01	1	Plate-Locking, Brake
16	108-4686	1	Decal-Auxiliary	40	321-4	2	Screw-HH
17	112-2786-03	1	Plate-Reverse	41	3256-16	2	Washer-Flat
18	98-8425	1	Spring-Torsion, LH	42	112-2749-01	1	Plate-Stop
19	323-11	2	Screw-HH	43	3296-42	2	Nut-Lock, NI
20	105-1217	1	Decal	44	32105-15	1	Screw-HWH
21	98-8424	1	Spring-Torsion, RH	46	114-1337	2	Spacer-Spring
22	66-0560	1	Bolt-Shoulder	47	256-257	2	Bushing-Nyliner
23	32128-32	5	Nut-HHF	48	3256-24	2	Washer-Plain
24	71-2870	2	Bolt-Eye				



## Traction Control Assembly

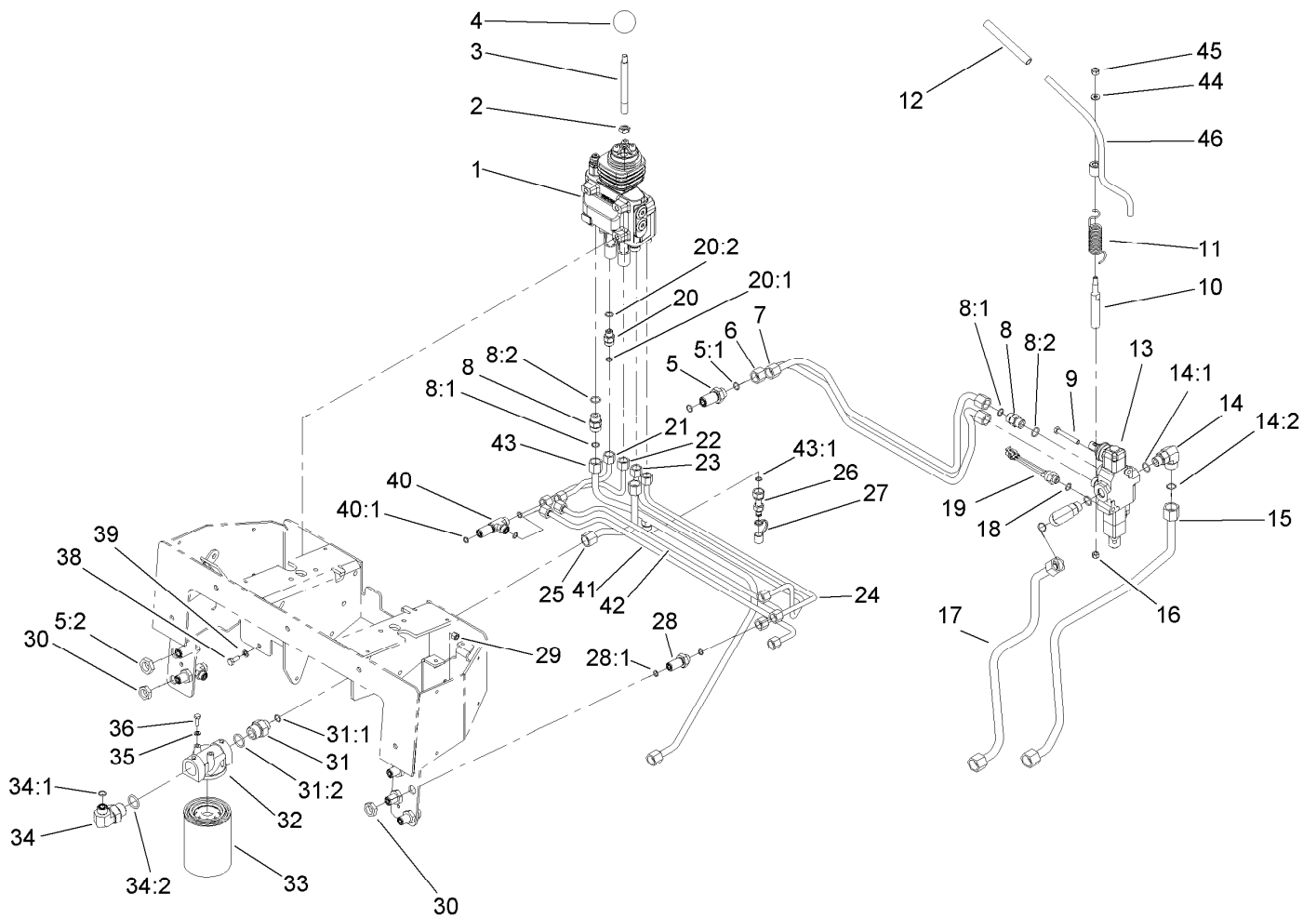
<i>Ref.</i>	<i>Part Number</i>	<i>Qty.</i>	<i>Description</i>	<i>Ref.</i>	<i>Part Number</i>	<i>Qty.</i>	<i>Description</i>
1	322-3	4	Screw-HH	20	112-2783	1	Lever-Pivot
2	68-2970	2	Bushing	21	257-8	1	Washer-Thrust
3	322-7	1	Screw-HH	22	106-5737	1	Control Support ASM
4	251-259	1	Bearing-Ball	22:2	256-252	2	Bearing-Flange
5	88-7450	1	Spacer-Lever, Control	23	106-5745	1	Drive Rod ASM
6	3296-47	1	Nut-Lock,NI	24	92-3133	2	Spacer-Lever, Traction
7	3274-51	1	Screw-HSH	25	2411-52	2	Bearing-Rod End, RH
8	3256-22	1	Washer-Flat	26	3274-83	2	Screw-HSH
9	3253-3	1	Washer-Lock	27	3220-2	2	Nut-Jam
10	3217-5	1	Nut-Hex	28	95-3711	2	Rod-Linkage
11	323-8	1	Screw-HH	29	322-6	2	Screw-HH
12	3296-29	10	Nut-Lock, NI	30	106-5739	2	Arm-Control, Pump
13	98-8407	1	Lever-Return, RH	31	2411-53	2	Bearing-Rod End, LH
14	108-4724	1	Spring-Extension	32	100-5440	2	Pin-Spring, Slotted
15	63-2650	2	Screw-Shoulder	33	321-9	2	Screw-HH
16	32151-91	1	Ring-Retaining	34	3296-42	2	Nut-Lock, NI
17	108-9743	3	Washer-Plain	35	3256-39	8	Washer-Flat
18	98-8408	1	Lever-Return, LH	36	95-3703	2	Washer-Spring, Wave
19	3296-39	1	Nut-Lock, NI				



## Principal Hydraulic Assembly

Ref.	Part Number	Qty.	Description	Ref.	Part Number	Qty.	Description
1	106-9307	1	2 Spool Valve ASM	20:2	237-42	1	O-Ring
2	51-2070	1	Nut	21	106-9315	1	Tube-HYD
3	108-4675	1	Shaft-Handle, Loader	22	106-9313	1	Tube-HYD
4	233-21	1	Knob	23	106-9312	1	Tube-HYD
5	340-161	2	Fitting-Bulkhead	24	106-9314	1	Tube-HYD
5:1	237-30	2	O-Ring	25	106-9385	1	Tube-HYD
5:2	340-127	1	Nut-Bulkhead	26	86-5480	1	Nipple-Test
6	106-9310	1	Tube-HYD	27	354-79	1	Cap-Dust
7	106-9311	1	Tube-HYD	28	340-71	4	Fitting-Straight, Bulkhead
8	340-4	4	Fitting-Straight	28:1	237-22	2	O-Ring
8:1	237-30	1	O-Ring	29	3296-29	2	Nut-Lock, NI
8:2	237-79	1	O-Ring	30	340-70	6	Nut-Lock
9	322-11	2	Screw-HH	31	100-4240	1	Fitting-STR
10	104-2827	1	Spacer-Hiflo	31:1	237-30	1	O-Ring
11	112-2738	1	Spring-Torsion	31:2	237-81	1	O-Ring
12	112-2605	1	Grip-Rubber	32	92-5821	1	Head-Filter
13	104-2831	1	1 Spool Valve ASM	33	86-3010	2	Filter-Oil
14	340-153	2	Fitting-Elbow, 90 DEG	34	340-131	1	Fitting-HYD, 90 DEG
14:1	237-79	1	O-Ring	34:1	237-30	1	O-Ring
14:2	237-151	1	O-Ring	34:2	237-81	1	O-Ring
15	106-9309	1	Tube-HYD	35	3253-3	2	Washer-Lock
16	48-7740	1	Screw	36	321-4	2	Screw-HH
17	104-5707	1	Tube-HYD	38	322-3	3	Screw-HH
18	237-42	1	O-Ring	39	3253-4	3	Washer-Lock
19	72-4310	1	Switch-Ball	40	340-68	2	Fitting-Tee, Bulkhead
20	340-2	4	Fitting-Straight	40:1	237-22	3	O-Ring
20:1	237-22	1	O-Ring	41	106-9316	1	Tube-HYD
				42	106-9317	1	Tube-HYD

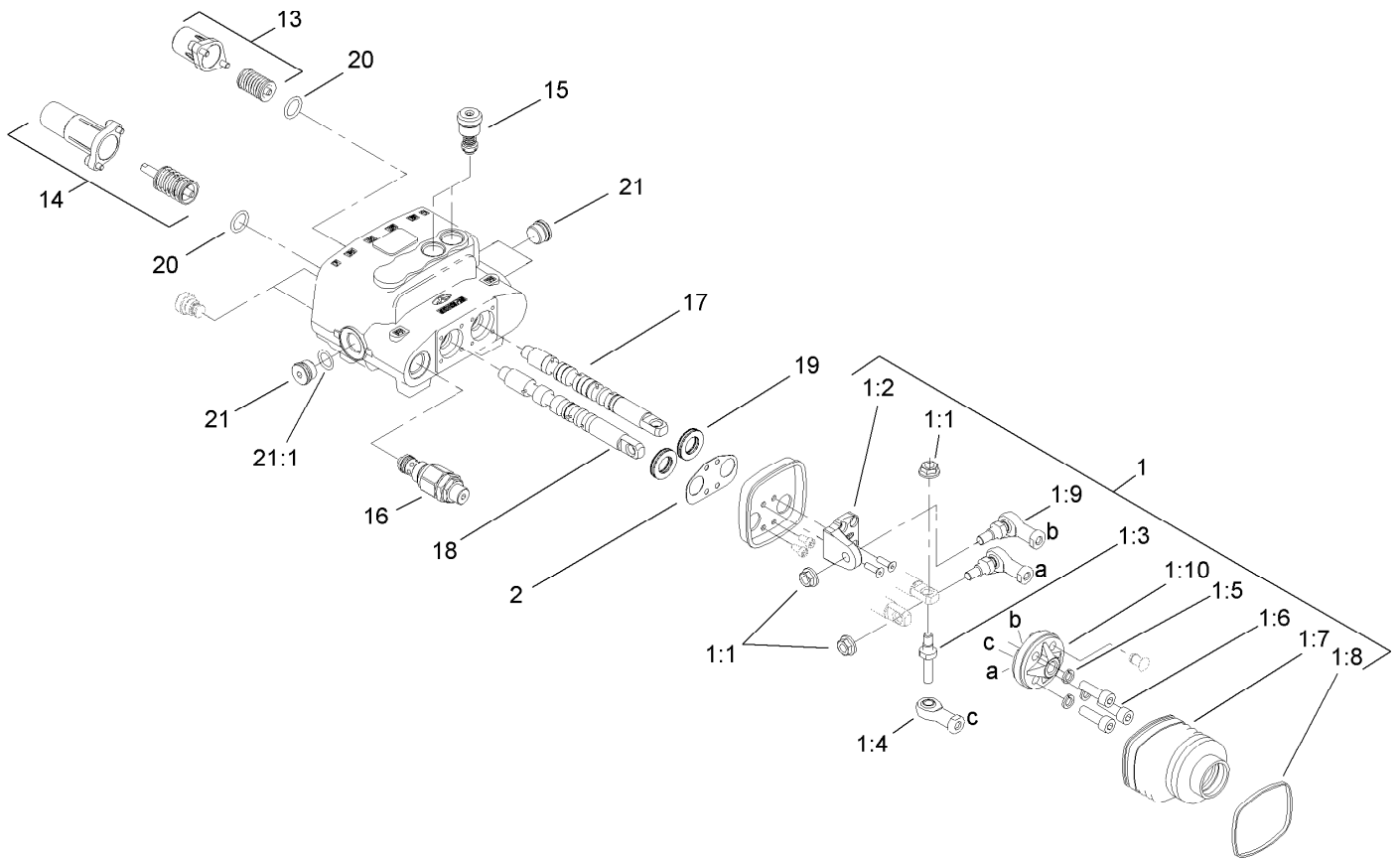




## Principal Hydraulic Assembly (continued)

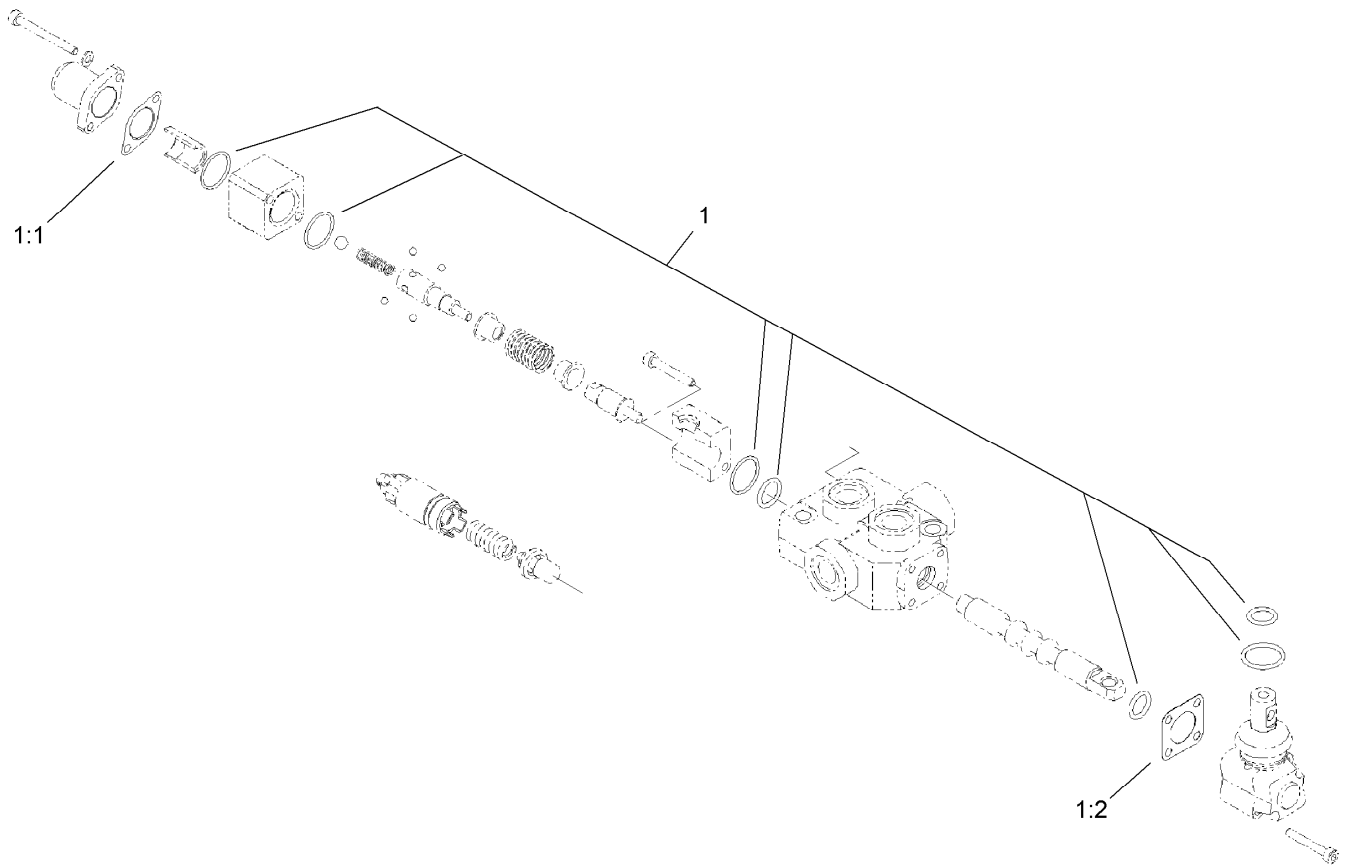
<i>Ref.</i>	<i>Part Number</i>	<i>Qty.</i>	<i>Description</i>
43	106-9387	1	HYD Tube ASM
43:1	237-22	1	O-Ring
44	3256-16	1	Washer-Flat

<i>Ref.</i>	<i>Part Number</i>	<i>Qty.</i>	<i>Description</i>
45	3296-42	1	Nut-Lock, NI
46	112-2739	1	Lever-Auxiliary



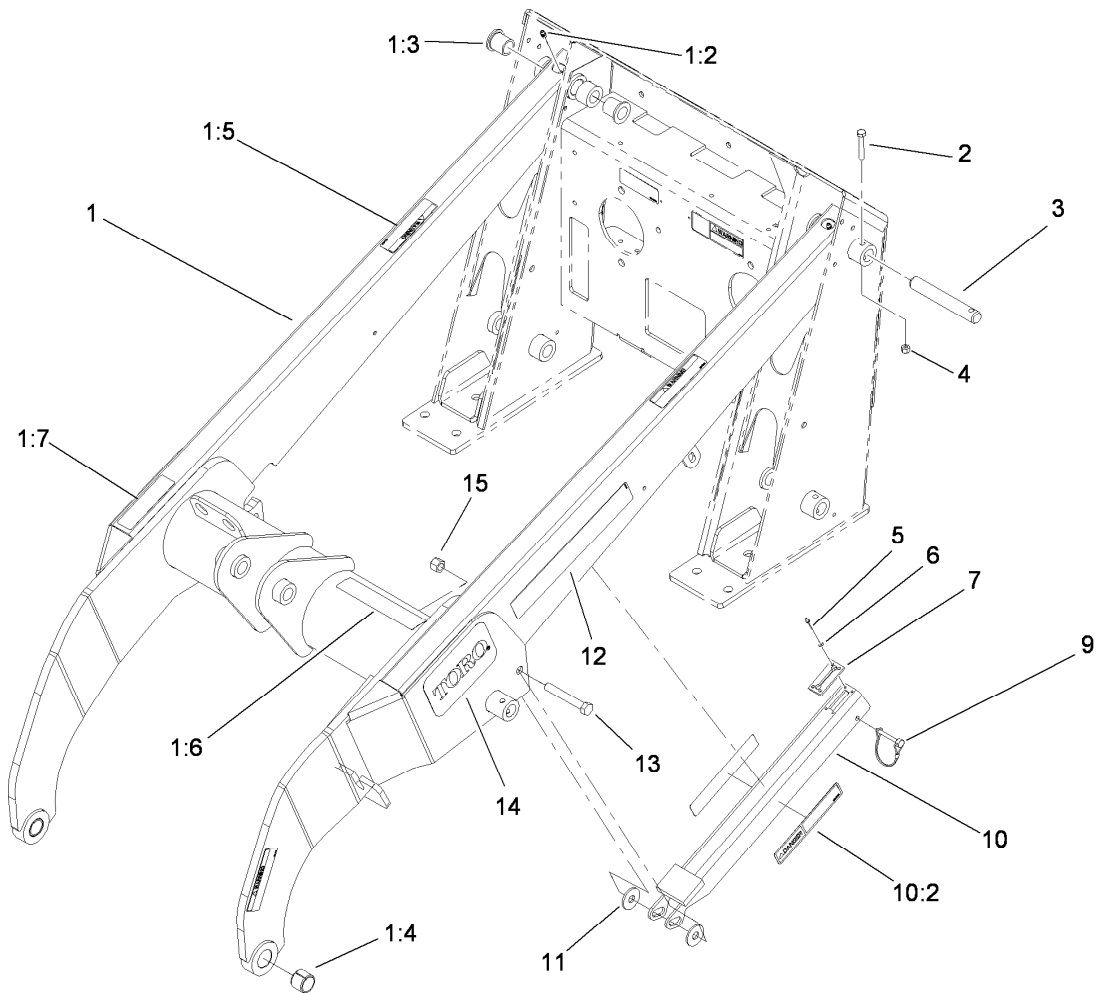
## Two Spool Valve Assembly No. 106-9307

<i>Ref.</i>	<i>Part Number</i>	<i>Qty.</i>	<i>Description</i>
1	106-7724	1	Joystick Kit
1:1	98-0668	3	Nut
1:2	106-7726	1	Pivot-Joystick
1:3	106-7727	1	Pin-Joystick
1:4	106-7728	1	End-Rod
1:5	42-9850	3	Washer-Lock, Spring
1:6	98-5828	3	Screw-HSH
1:7	106-7729	1	Bellow-Rubber
1:8	3290-379	1	Tie-Cable
1:9	106-7730	2	Joint-Joystick
1:10	106-7731	1	Holder-Articulated
2	106-7725	1	Seal-Joystick
13	106-7732	1	Valve Spring Kit
14	106-7733	1	Detent Spring Kit
15	106-7734	2	Valve-Relief
16	106-7735	1	Valve-Relief, Main
17	106-7736	1	Spool-Valve
18	106-7737	1	Spool-Valve
19	106-7738	2	Seal-Valve, Spool
20	106-7719	2	Seal-Valve
21	353-988	3	Plug-Hex
21:1	237-79	1	O-Ring



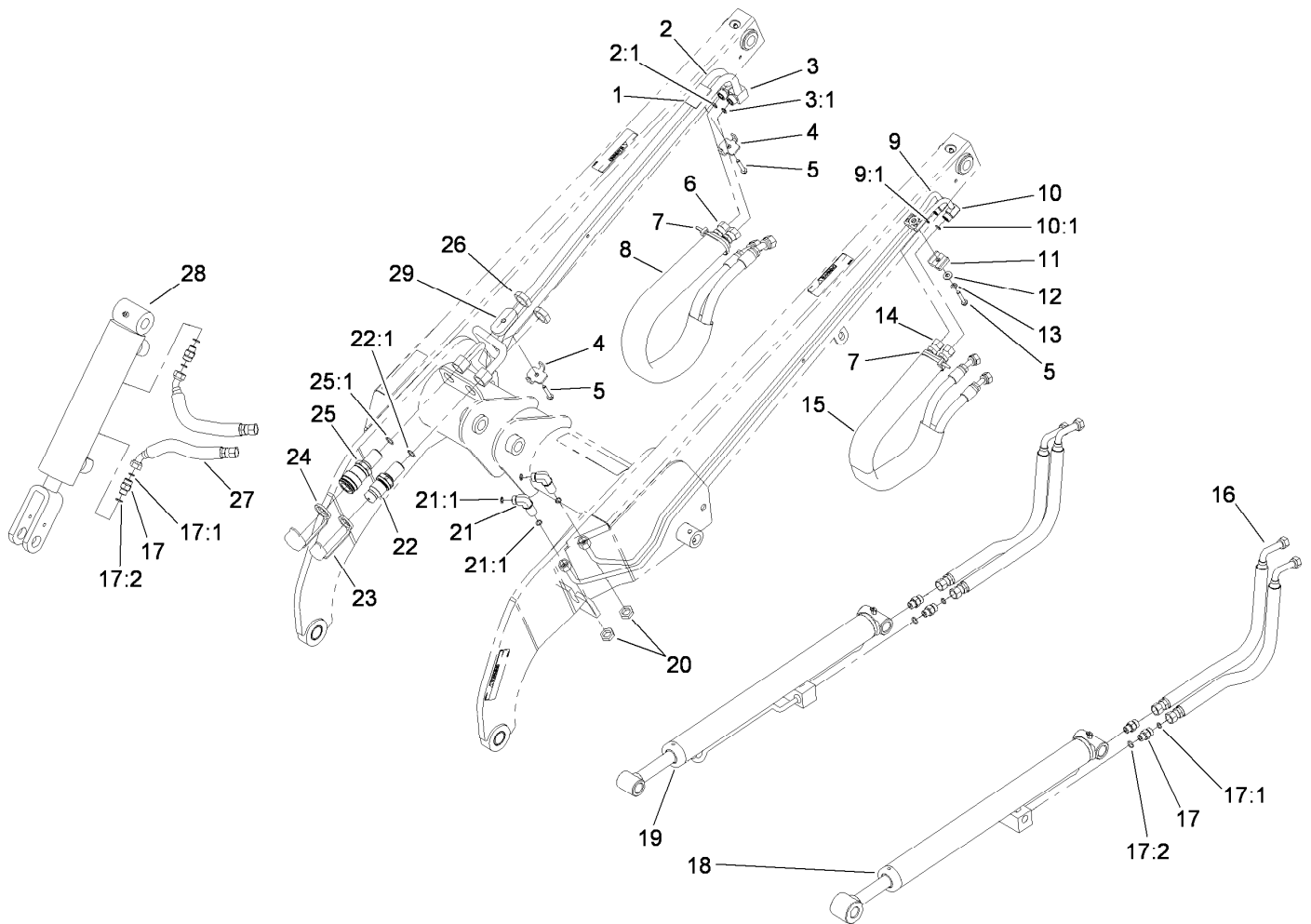
## One Spool Valve Assembly No. 104-2831

<i>Ref.</i>	<i>Part Number</i>	<i>Qty.</i>	<i>Description</i>
1	99-4391	1	Seal Kit
1:1	99-3074	1	Gasket
1:2	99-3075	3	Gasket



## Loader Arm Assembly

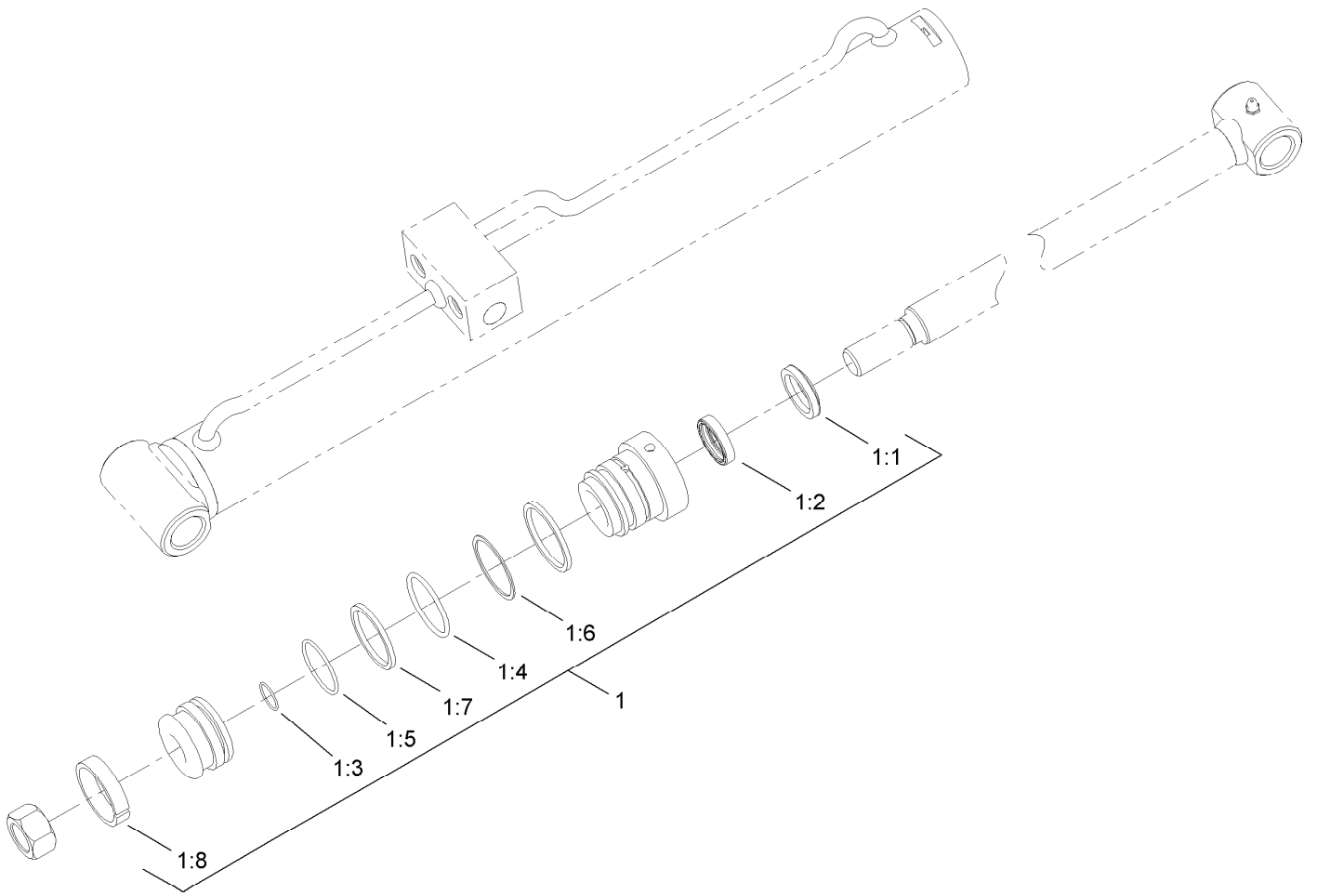
<i>Ref.</i>	<i>Part Number</i>	<i>Qty.</i>	<i>Description</i>
1	106-9350	1	Loader Arm ASM
1:2	302-5	2	Fitting-Grease
1:3	95-3577	4	Bushing
1:4	98-4871	2	Bushing-Tension
1:5	100-6141	4	Decal-Pinch
1:6	100-6132	1	Decal-Caution
1:7	100-6101	1	Decal-Caution
2	322-10	7	Screw-HH
3	104-2849	7	Pin-Locking
4	3296-29	7	Nut-Lock, NI
5	3269-8	4	Rivet-Blind
6	104-5112	4	Washer-Flat
7	98-0083	1	Stop-Rubber
9	112-2583	1	Pin-Locking
10	100-6105	1	Locking Arm ASM
10:2	100-6135	2	Decal-Danger
11	68-1440	2	Washer-Rubber
12	105-8430	2	Decal
13	325-14	1	Screw-HH
14	105-1217	2	Decal
15	3296-23	1	Nut-Lock, NI



## Loader Arm Hydraulic Assembly

Ref.	Part Number	Qty.	Description	Ref.	Part Number	Qty.	Description
1	106-9366	1	Spacer-Hardline	17	340-2	6	Fitting-Straight
2	108-6319	1	HYD Tube ASM	17:1	237-22	1	O-Ring
2:1	237-22	1	O-Ring	17:2	237-42	1	O-Ring
3	112-2563	1	HYD Tube ASM	18	104-6267	1	LH Lift Cylinder ASM
3:1	237-22	1	O-Ring	19	104-6269	1	RH Lift Cylinder ASM
4	98-0237	2	Plate-Clamp, Tube	20	340-70	2	Nut-Lock
5	94-2691	3	Screw-HWH Taptite	21	340-154	2	Union-Bulkhead
6	98-0242	2	Hose-HYD	21:1	237-22	2	O-Ring
7	3290-378	2	Tie-Cable	22	105-8395	1	Bulkhead Nipple ASM
8	100-6128	1	Sleeve-Protective	22:1	237-65	1	O-Ring
9	106-9364	1	HYD Tube ASM	22:2	100-6120	1	Seal Kit ●
9:1	237-22	1	O-Ring	23	100-8815	1	Cap-Dust, Nipple
10	106-9365	1	HYD Tube ASM	24	100-8816	1	Cap-Dust, Coupler
10:1	237-22	1	O-Ring	25	105-8394	1	Bulkhead Coupler ASM
11	56-7973	2	Clamp-Tube	25:1	237-65	1	O-Ring
12	3256-2	1	Washer-Flat	26	340-74	2	Nut-Lock, Bulkhead
13	3253-3	1	Washer-Lock	27	98-0207	2	Hose-HYD
14	98-0213	2	Hose-HYD	28	105-8370	1	Tilt Cylinder ASM
15	100-6127	1	Sleeve-Protective	29	112-2565	1	Plate-Hardline
16	98-0216	4	Hose-HYD				

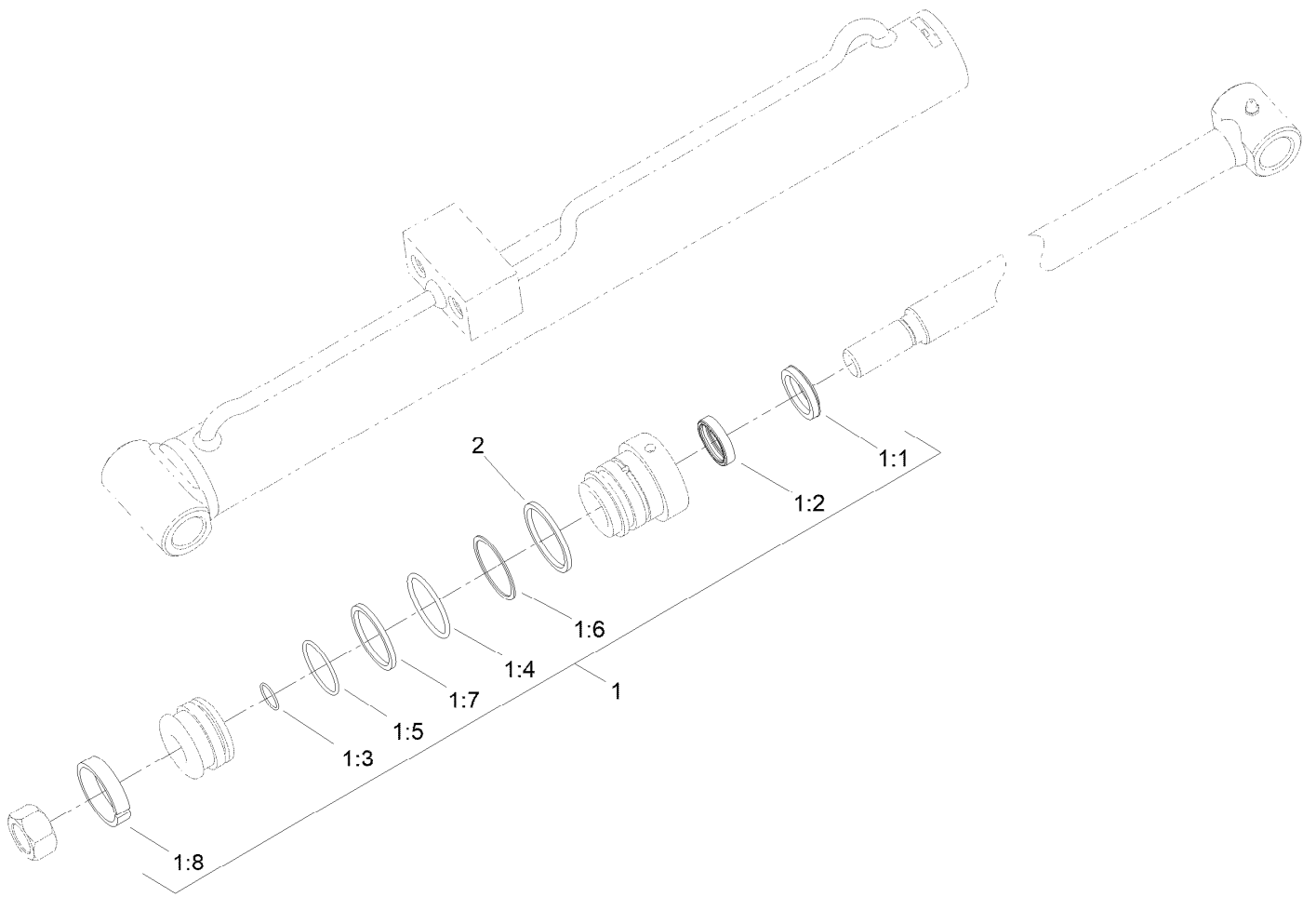
● Not illustrated



## Left Hand Hydraulic Lift Cylinder Assembly No. 104-6267

<i>Ref.</i>	<i>Part Number</i>	<i>Qty.</i>	<i>Description</i>
1	104-6268	1	Seal Kit
1:1		1	Wiper ●
1:2		1	Seal ASM ●
1:3		1	Seal-Dust ●
1:4		1	Seal-Dust ●
1:5		1	Seal-Dust ●
1:6		1	Back-Up ●
1:7		1	Seal ASM ●
1:8		1	Ring-Wear ●

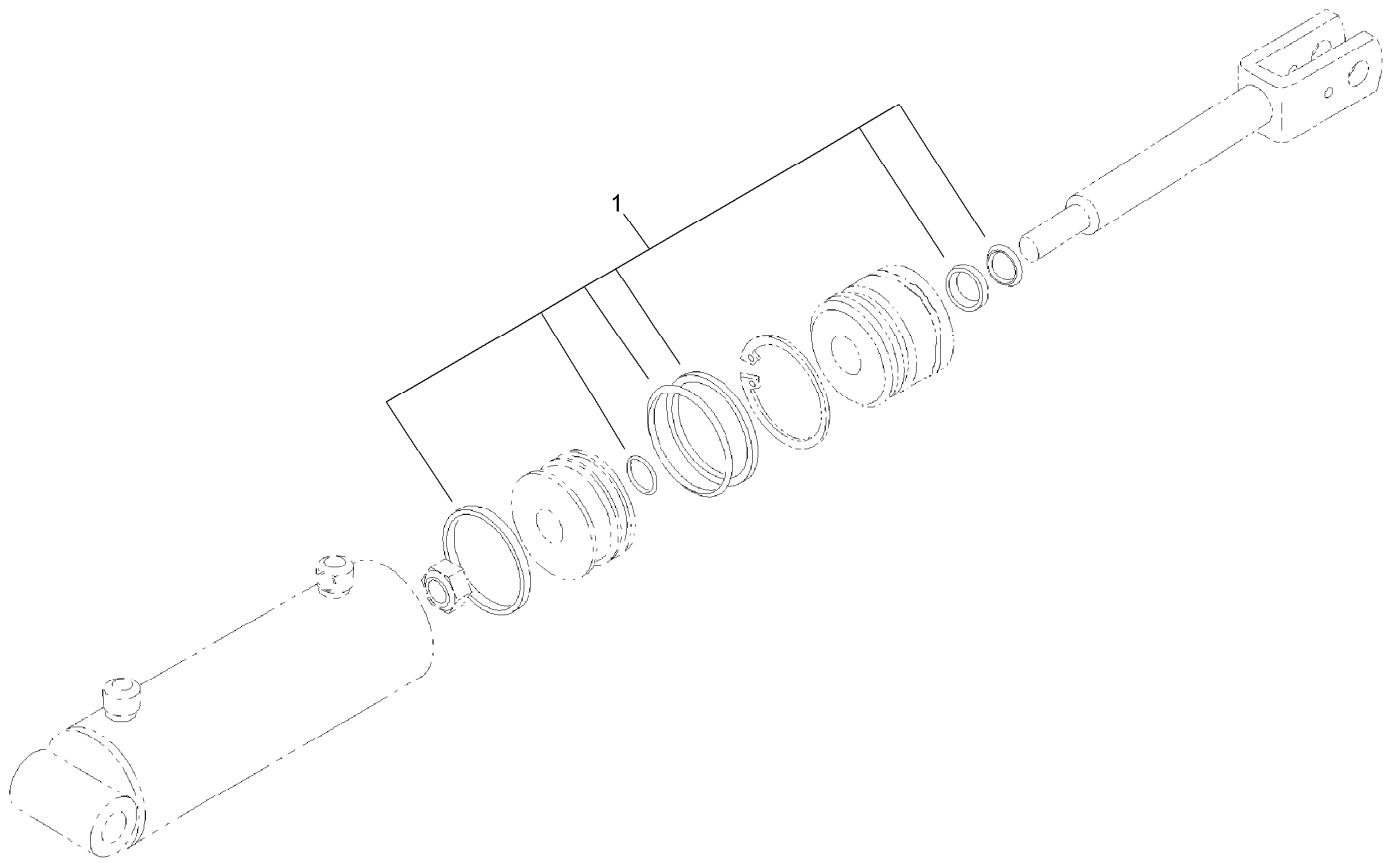
● Not serviced separately



## Right Hand Hydraulic Lift Cylinder Assembly No. 104-6269

<i>Ref.</i>	<i>Part Number</i>	<i>Qty.</i>	<i>Description</i>
1	104-6268	1	Seal Kit
1:1		1	Wiper ●
1:2		1	Seal ASM ●
1:3		1	Seal-Dust ●
1:4		1	Seal-Dust ●
1:5		1	Seal-Dust ●
1:6		1	Back-Up ●
1:7		1	Seal ASM ●
1:8		1	Ring-Wear ●
2	161-7281	1	Ring - Retaining

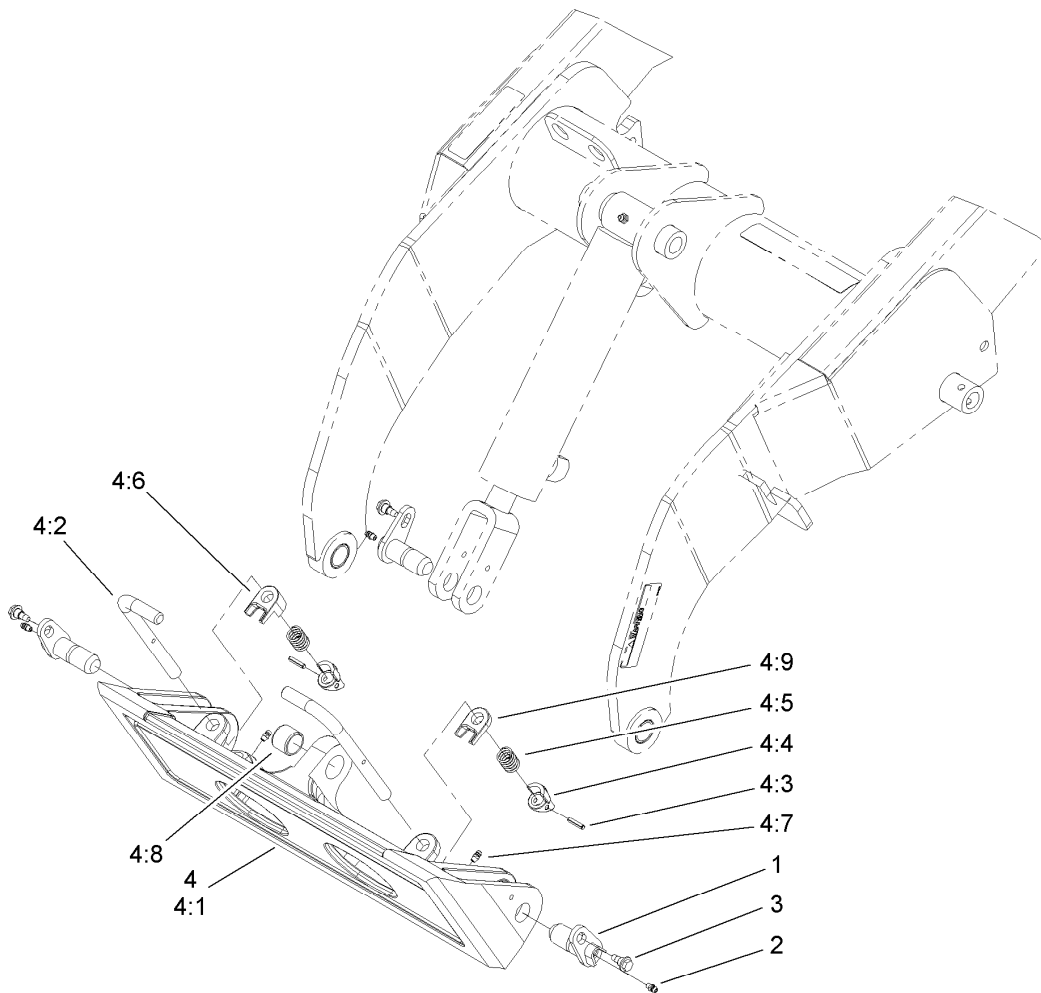
● Not serviced separately



## Hydraulic Cylinder Assembly No. 105-8370

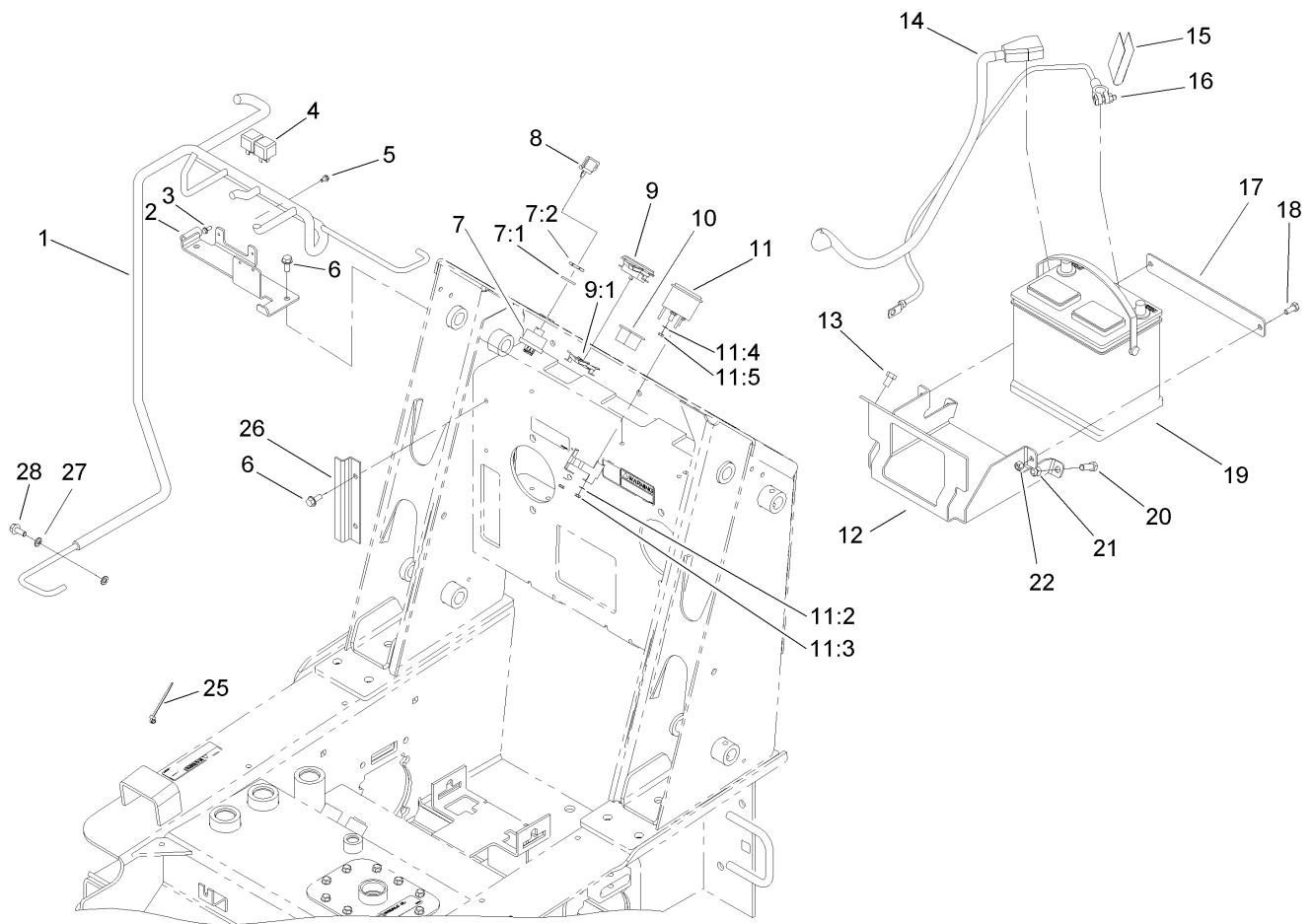
<i>Ref.</i>	<i>Part Number</i>	<i>Qty.</i>	<i>Description</i>
1	106-7567	1	Seal Kit





## Quick Attach Assembly

<i>Ref.</i>	<i>Part Number</i>	<i>Qty.</i>	<i>Description</i>
1	112-2609	3	Pin-Pivot
2	302-5	3	Fitting-Grease
3	99-5105	3	Screw-Shoulder
4	105-8364	1	Quick Attach ASM
4:1	105-0245-03	1	Mount-Attach, Quick
4:2	105-8367	2	Pin-Locking
4:3	3285-1	2	Pin-Grooved
4:4	105-0246	2	Cam
4:5	98-4694	2	Spring-Compression
4:6	104-5909	1	Stop-RH
4:7	302-5	2	Fitting-Grease
4:8	98-4871	1	Bushing-Tension
4:9	104-5903	1	Stop-LH

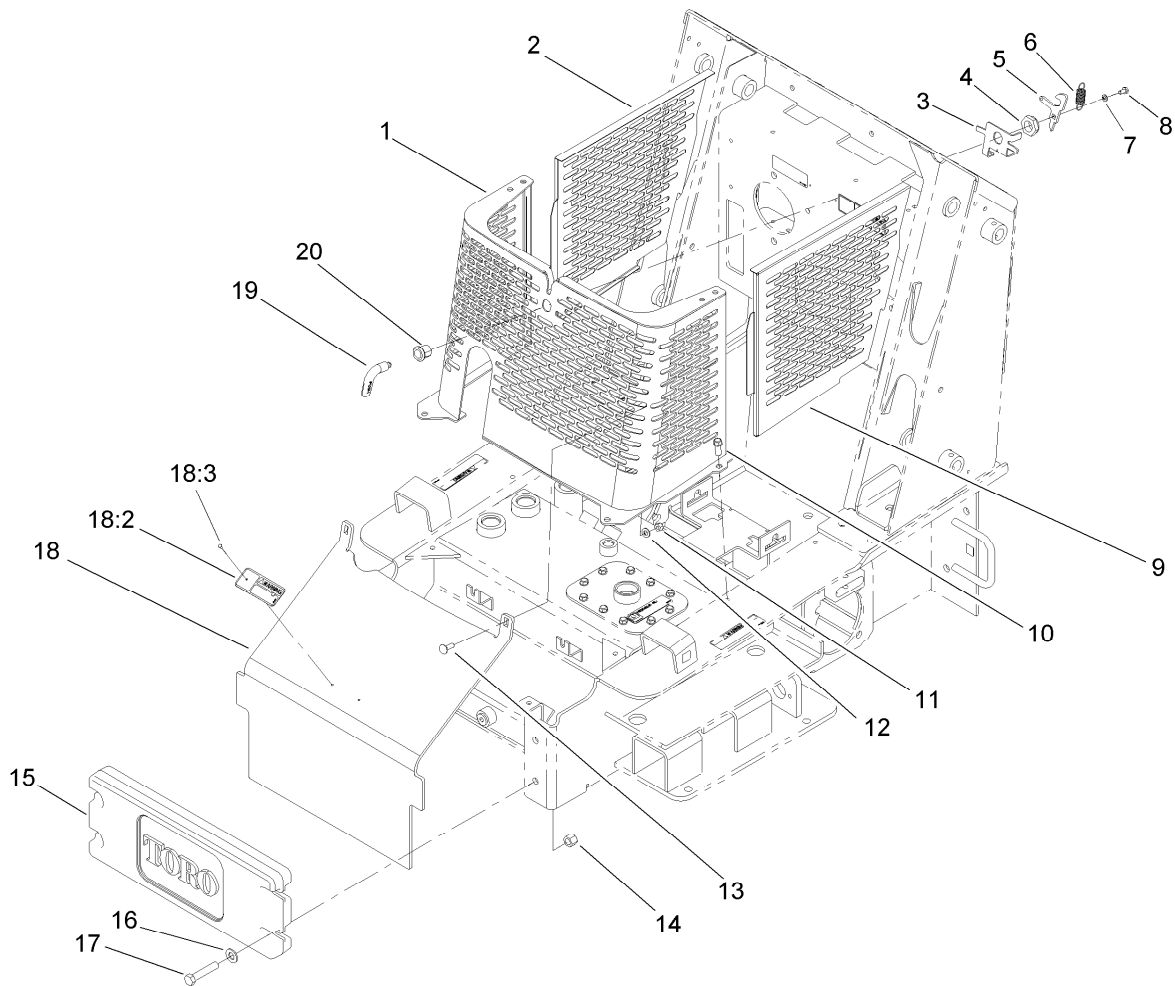


## Electrical System Assembly

Ref.	Part Number	Qty.	Description	Ref.	Part Number	Qty.	Description
1	115-0732	1	Harness-Wire	11:3	3217-27	2	Nut-Hex
1:1	218-578	1	Fuse-Blade, 10 Amp ●	11:4	3255-24	3	Washer-Lock / EXT
1:2	109102	1	Fuse-Blade, 25 Amp ●	11:5	3217-16	3	Nut-Hex
1:3	109103	1	Fuse-Blade, 30 Amp ●	12	106-9390-01	1	Tray-Mounting, Battery
1:4	109355	1	Fuse-Blade, 15 Amp ●	13	32144-69	2	Screw-HWHTF
2	106-2558-03	1	Fuse/Relay Bracket ASM	14	106-5707	1	Cable-Battery, Positive
3	32144-112	2	Screw-HWH	15	107-9309	1	Decal-Instructions, Charging
4	98-7249	2	Relay	16	106-5708	1	Cable-Battery, Negative
5	104-2065	2	Screw-HWH	17	105-0371-01	1	Clamp-Battery
6	32144-70	4	Screw-HWHTF	18	322-3	2	Screw-HH
7	88-9830	1	Key Switch ASM	19	104-9979	1	Battery
7:1	3254-5	1	Washer-Lock	20	323-6	2	Screw-HH
7:2	218-461	1	Nut-HH	21	3296-39	2	Nut-Lock, NI
8	63-8360	3	Key-Ignition	22	3296-29	2	Nut-Lock, NI
9	104-7427	1	Inductive Hourmeter ASM	25	3290-381	3	Tie-Cable
9:1	104-4234	1	Clip-Mounting	26	100-6117-01	1	Shield-Wiring
10	99-7420	1	Plug-Hole	27	3255-8	2	Washer-Lock
11	66-2940	1	Gauge-Fuel	28	33104-020	1	Screw-HHF
11:2	3254-1	2	Washer-Lock, Int ■				

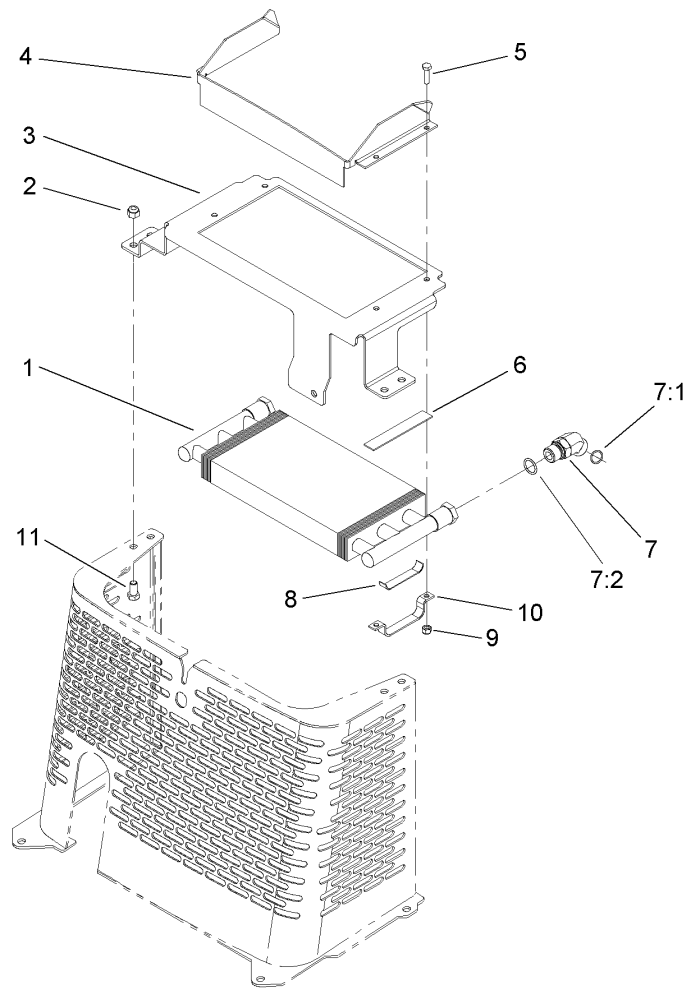
● Not illustrated

■ Not serviced separately



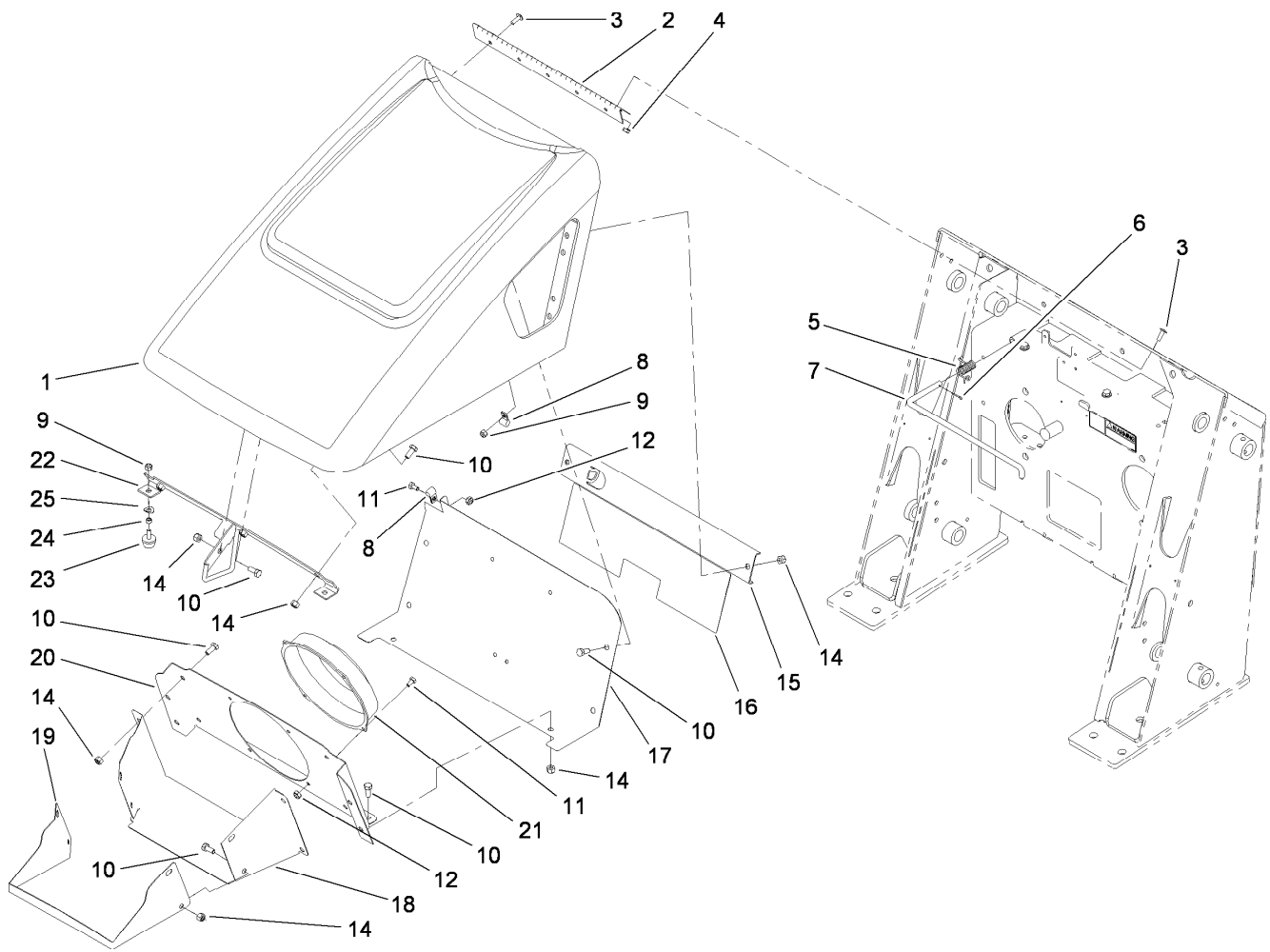
## Grill Assembly

<i>Ref.</i>	<i>Part Number</i>	<i>Qty.</i>	<i>Description</i>
1	106-5721-03	1	Grill ASM
2	106-5727-03	1	Panel-Side, RH
3	106-5729-03	1	Bracket-Latch
4	3296-60	1	Nut-Lock, NI
5	106-5728	1	Cam-Latch
6	104-0869	1	Spring
7	3253-3	1	Washer-Lock
8	321-2	1	Screw-HH
9	106-5726-03	1	Panel-Side, LH
10	95-1726	4	Screw-Taptite
11	3296-29	2	Nut-Lock, NI
12	3256-23	2	Washer-Plain
13	3230-28	2	Screw-CARR
14	3296-23	4	Nut-Lock, NI
15	99-6166-01	1	Counterweight-Front
16	3256-26	4	Washer-Flat
17	325-10	4	Screw-HH
18	105-0395	1	Heat Shield ASM
18:2	80-8290	1	Plate-Surface, Hot
18:3	3269-31	2	Rivet-Pop
19	108-5639	1	Handle-Latch
20	106-9335	1	Housing-Latch



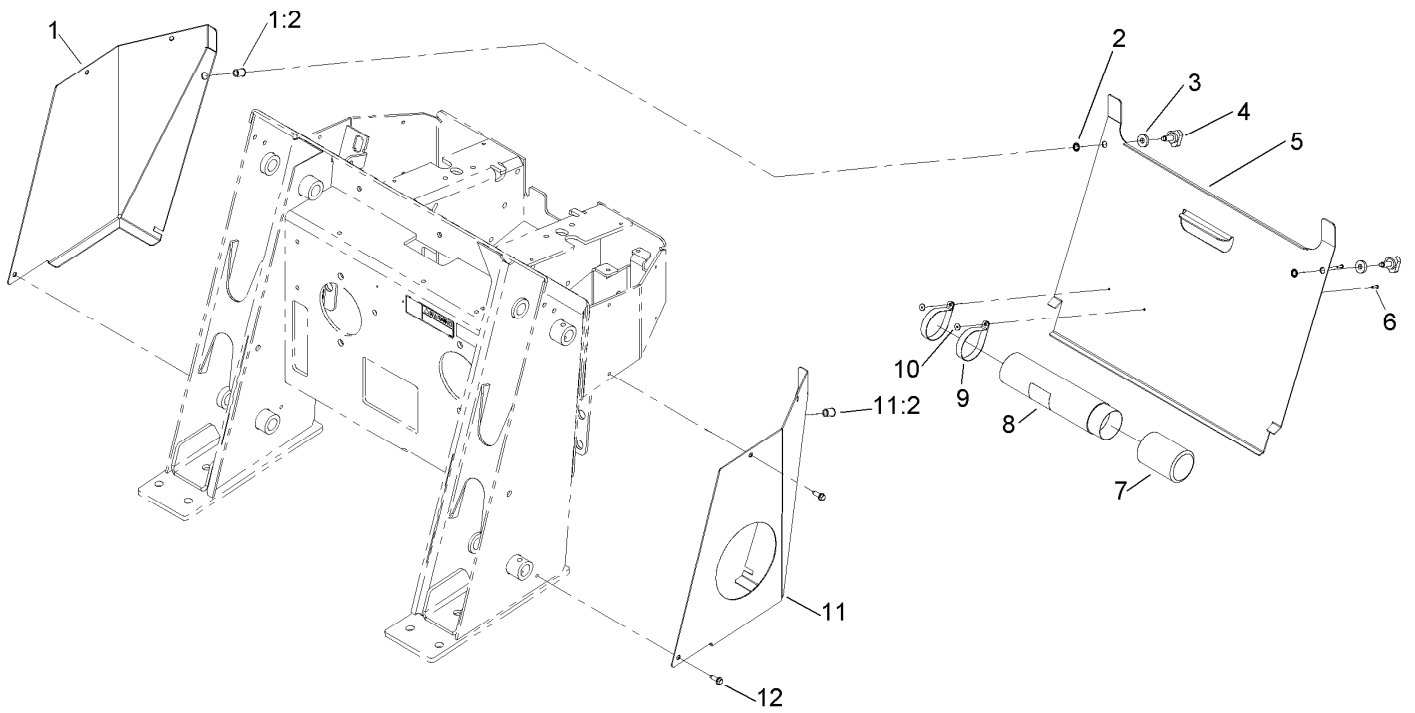
## Hydraulic Oil Cooler Assembly

<i>Ref.</i>	<i>Part Number</i>	<i>Qty.</i>	<i>Description</i>
1	105-0352	1	Exchanger-Heat
2	3296-39	4	Nut-Lock, NI
3	108-4681-03	1	Bracket-Mounting, Cooler
4	104-2802-03	1	Shield-Cooler
5	321-6	4	Screw-HH
6	94-9566	2	Pad-Footrest
7	340-14	2	Fitting-HYD, 45 DEG
7:1	237-65	1	O-Ring
7:2	237-80	1	O-Ring
8	104-2816	2	Pad-Support
9	3296-42	4	Nut-Lock, NI
10	104-2803	2	Support-Cooler
11	323-4	4	Screw-HH



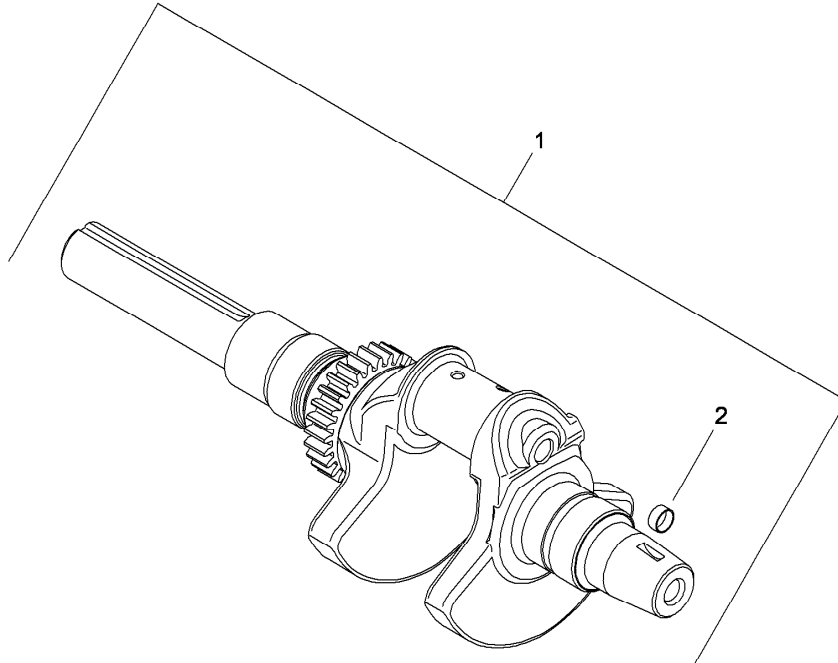
## Hood Assembly

<i>Ref.</i>	<i>Part Number</i>	<i>Qty.</i>	<i>Description</i>
1	106-2590	1	Engine Hood ASM
2	100-1284	1	Hinge-Hood
3	9114604	9	Screw-Head, Truss
4	32128-33	4	Nut-HF
5	106-2584	1	Spring-Torsion
6	3272-6	1	Pin-Cotter
7	106-2554	1	Rod-Support, Hood
8	2412-91	2	Clamp
9	3296-42	7	Nut-Lock, NI
10	322-3	22	Screw-HH
11	321-2	5	Screw-HH
12	3296-16	5	Nut-Lock, NI
14	3296-29	22	Nut-Lock, NI
15	115-0724-03	1	Bracket-Support, Hood
16	108-5599	1	Decal-Service
17	112-2591-03	1	Bracket-Fan, Back
18	112-2592-03	1	Shroud-Fan
19	112-2595-03	1	Shroud-Fan, Front
20	112-2590-03	1	Bracket-Fan, Front
21	104-2809	1	Fan
22	106-5717-03	1	Rod Latch ASM
23	1-523420	2	Bumper
24	106-9308	2	Spacer
25	3290-301	2	Washer-Spring



## Rear Access Cover Assembly

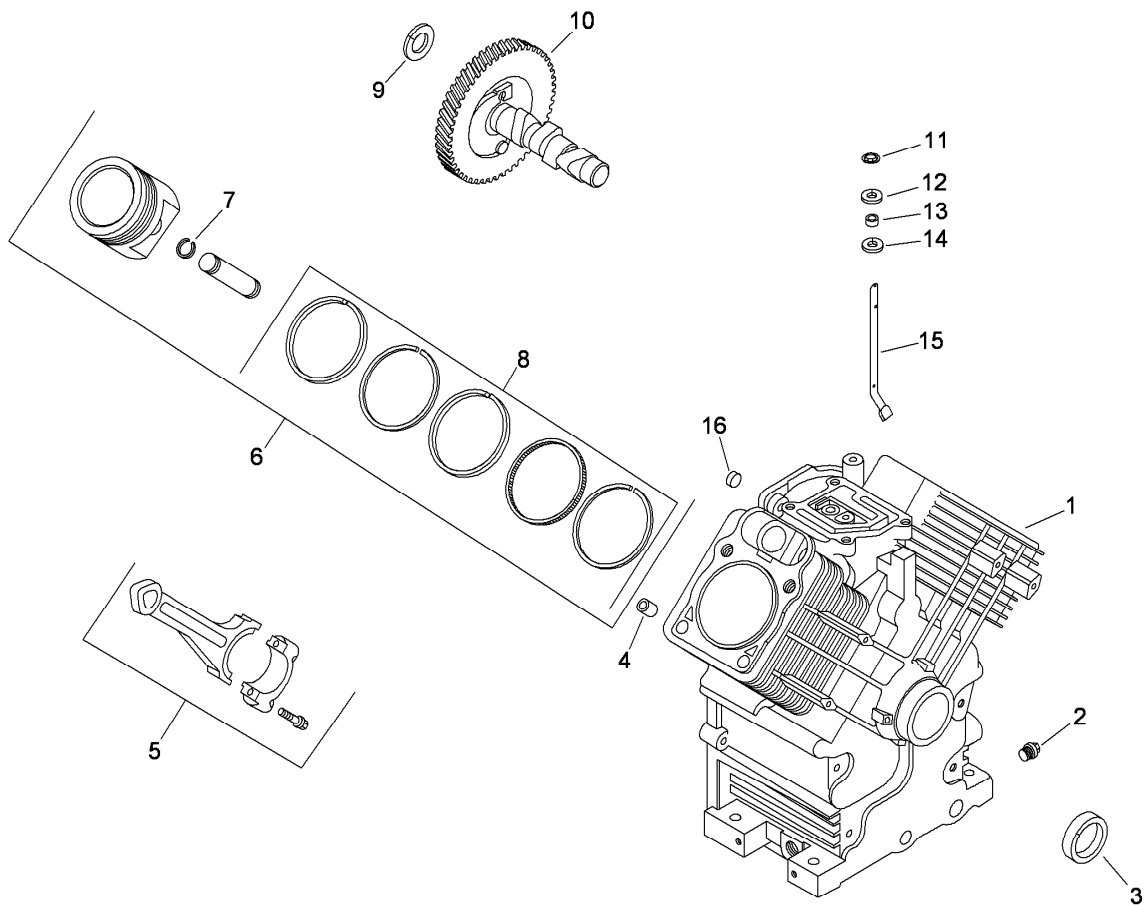
<i>Ref.</i>	<i>Part Number</i>	<i>Qty.</i>	<i>Description</i>
1	106-9342	1	RH Rear Cover Support ASM
1:2	32148-9	1	Nut-Clinch
2	32151-72	2	Ring-Retaining
3	106-0565	2	Washer-Rubber
4	95-9648	2	Knob
5	106-9339-01	1	Cover-Access, Rear
6	3269-17	2	Rivet-Pop
7	104-7048	1	Cap-Housing
8	104-7050	1	Tube-Manual
9	2412-120	2	Clamp-R
10	3269-10	2	Washer-Back
11	106-9343	1	LH Rear Cover Support ASM
11:2	32148-9	1	Nut-Clinch
12	9266714	6	Screw-HWH



## Crankshaft Assembly Kohler CH20S-64762

<i>Ref.</i>	<i>Part Number</i>	<i>Qty.</i>	<i>Description</i>
1	24 014 90-S	1	Crankshaft (Includes 2) ●
2	52 139 09-S	1	Plug-Cup ●

● Obtain parts from [www.kohlerplus.com](http://www.kohlerplus.com)



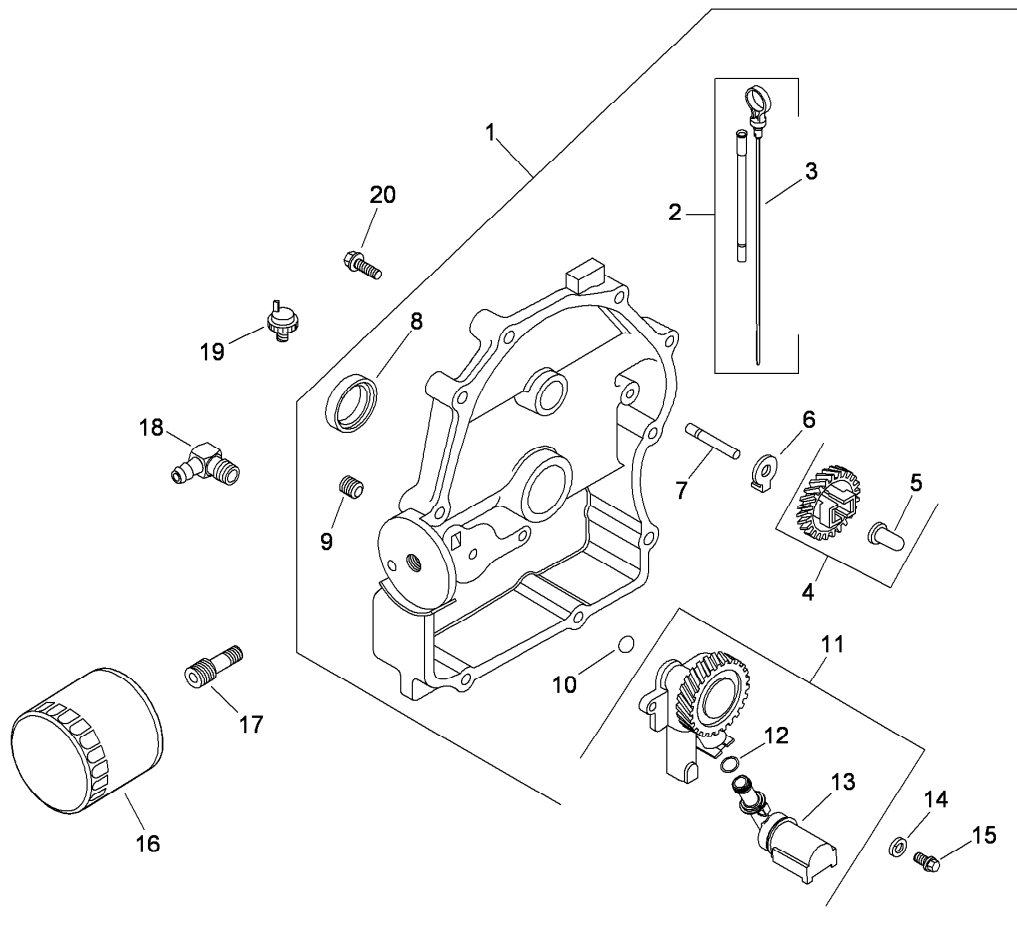
## Crankcase Assembly Kohler CH20S-64762

Ref.	Part Number	Qty.	Description	Ref.	Part Number	Qty.	Description
1	24 522 181	1	Block-Cylinder (Short Block) ■●■	9	12 422 07-S	1	Shim-Camshaft (White .028) ■
2	52 139 02-S	2	Plug-Pipe Head, 3/8 ■	9	12 422 08-S	1	Shim-Camshaft (Blue .03) ■
3	24 032 01-S	1	Seal-Oil ■	9	12 422 10-S	1	Shim-Camshaft (Yellow .034) ■
4	24 380 16-S	6	Pin-Locating ■	9	12 422 11-S	1	Shim-Camshaft (Green .036) ■
5	24 067 24-S	2	Rod-Connecting (STD) ■	9	12 422 12-S	1	Shim-Camshaft (Gray .038) ■
5	24 067 25-S	2	Rod-Connecting (.25) ■	10	24 012 10-S	1	Camshaft ASM (Includes 25 357 14-S) ■
6	24 874 38-S	2	Piston ASM (Std) (Includes 7, 8) ■	11	24 018 09-S	1	Retainer-Ring ■
6	24 874 39-S	2	Piston ASM (.08) ■	12	M-931010-S	1	Washer-Flat (9MM) ■
6	24 874 40-S	2	Piston ASM (.25) ■	13	28 032 09-S	1	Seal-Cross Shaft, Governor ■
6	24 874 41-S	2	Piston ASM (.50) ■	14	24 468 15-S	1	Washer-Flat (11/32) ■
7	24 018 01-S	4	Retainer-Pin, Piston ■	15	24 144 38-S	1	Shaft-Cross, Governor ■
8	24 108 22-S	2	Ring Set (STD) ■	16	52 139 09-S	1	Plug-Cup ■
8	24 108 23-S	2	Ring Set (.08) ■				
8	24 108 24-S	2	Ring Set (.25) ■				
8	24 108 25-S	2	Ring Set (.50) ■				
9	12 422 09-S	1	Shim-Camshaft (Red .032) ■				
9	12 422 13-S	1	Shim-Camshaft (Black .04) ■				

● Not serviced separately

■ Obtain parts from [www.kohlerplus.com](http://www.kohlerplus.com)

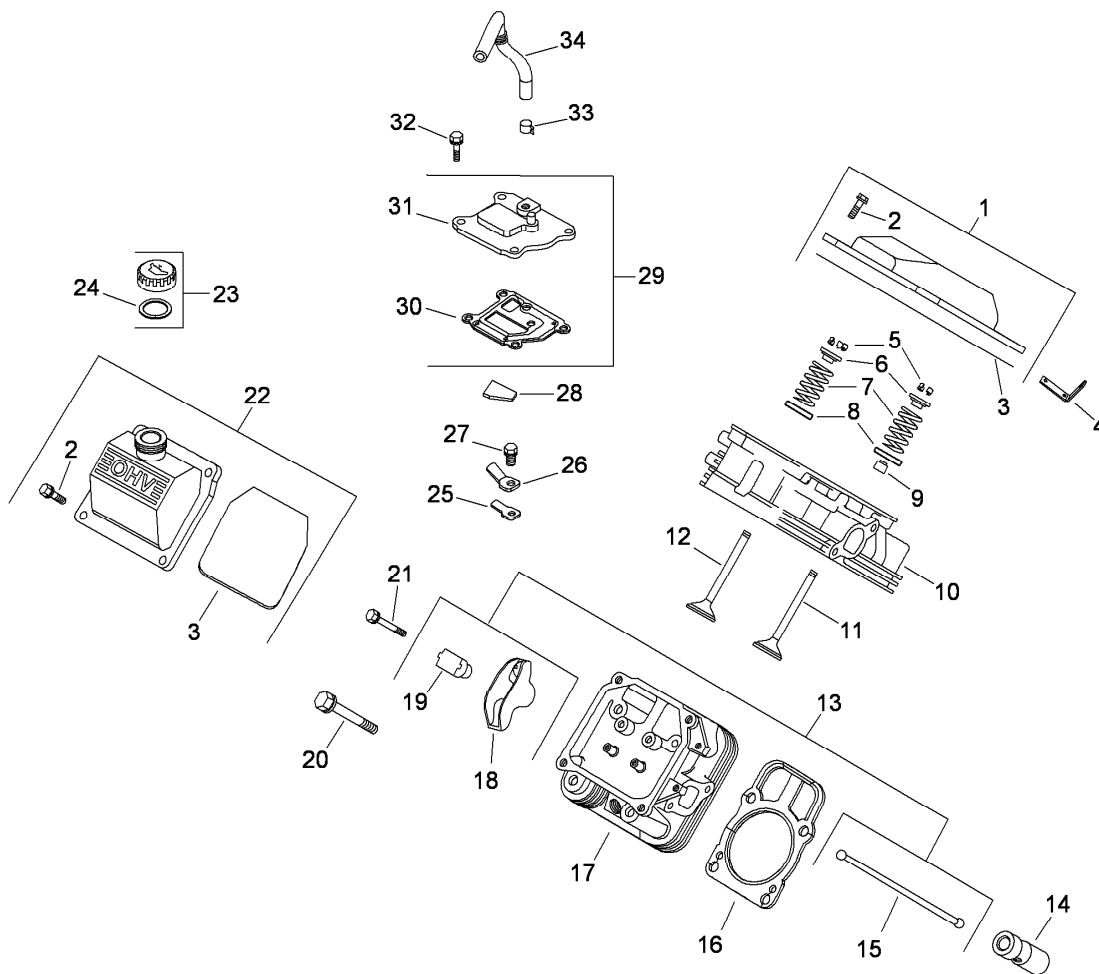




## Oil Pan and Lubrication Assembly Kohler CH20S-64762

<i>Ref.</i>	<i>Part Number</i>	<i>Qty.</i>	<i>Description</i>
1	24 009 92-S	1	Closure Plate ASM (Includes 2-15) ●
2	24 755 121-S	1	Dipstick Tube ASM (Includes 3) ●
3	24 038 10-S	1	Dipstick ●
4	24 043 12-S	1	Governor Gear Kit (Includes 5) ●
5	12 380 01-S	1	Pin-Regulating, Governor ●
6	24 448 02-S	1	Tab-Locking ●
7	12 144 02-S	1	Shaft-Gear, Governor ●
8	25 032 06-S	1	Seal-Oil ●
9	25 139 60-S	1	Plug-Pipe, Countersunk (1/8) ●
10	24 153 08-S	1	O-Ring ●
11	24 393 51-S	1	Oil Pump ASM (Includes 12, 13) ●
12	24 153 01-S	1	O-Ring (Oil Pick Up) ●
13	24 381 04-S	1	Tube-Pick Up, Oil ●
14	M-631005-S	2	Washer-Flat (6 MM) ●
15	M-645025-S	2	Screw-Flange, Thread Forming (M6X1.0X25) ●
16	52 050 02-S	1	Filter-Oil ●
17	24 136 01-S	1	Nipple-Filter, Oil ●
18	25 155 02-S	1	Connector-Hose, 90 Deg ●
19	24 099 03-S	1	Switch-Pressure, Oil ●
20	24 086 17-S	10	Screw-Flange (M8X1.25X45) ●

● Obtain parts from [www.kohlerplus.com](http://www.kohlerplus.com)

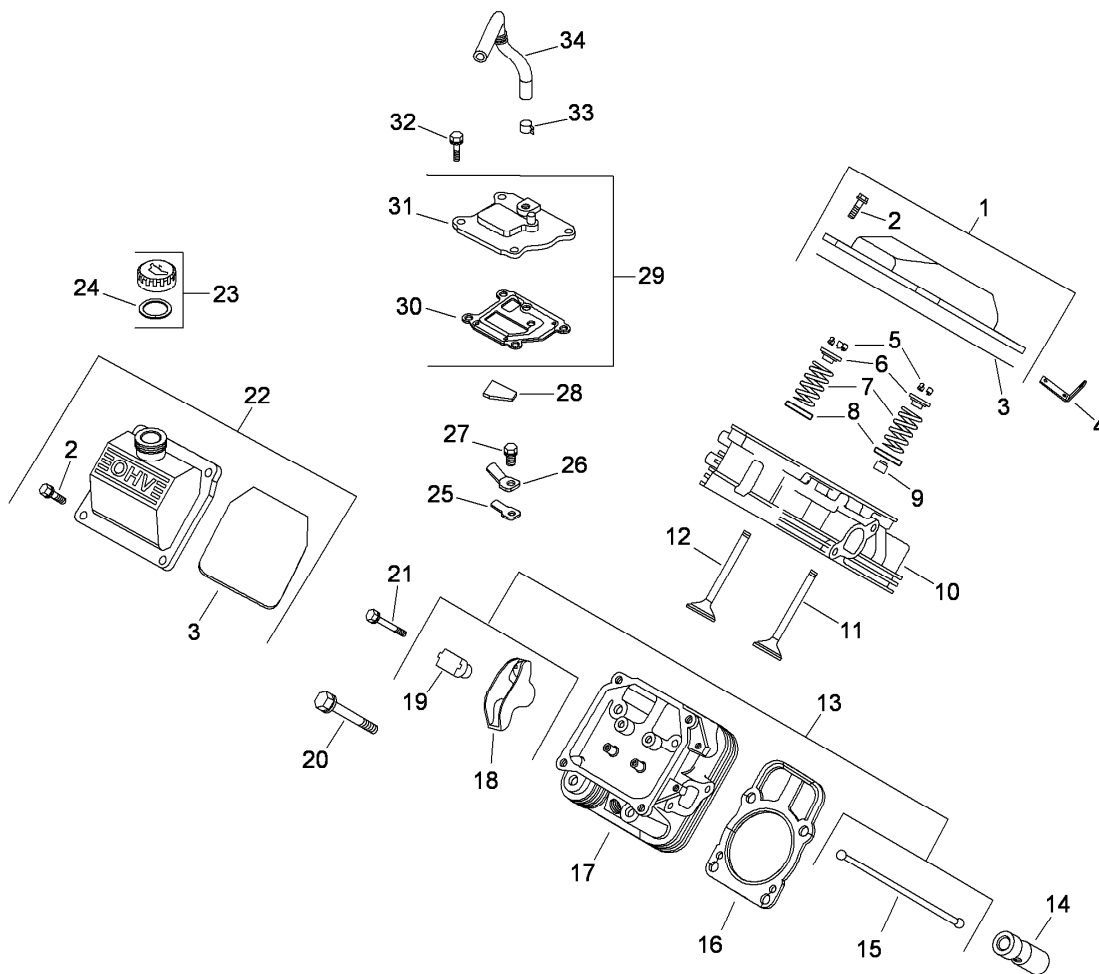


## Head, Valve and Breather Assembly Kohler CH20S-64762

Ref.	Part Number	Qty.	Description	Ref.	Part Number	Qty.	Description
1	24 755 141-S	1	Plain Valve Cover ASM (Includes 2, 3) ■	16	24 841 01-S	2	Cylinder Head Gasket Kit (Includes Gaskets, Nut And O-Ring) ■
2	M-651030-S	8	Screw-Flange (M6X1.0X30) ■	17	24 318 71-S	1	No. 2 Cylinder Head ASM (Includes Stud) ■
3	24 153 30-S	2	O-Ring (Valve Cover) ■	18	25 186 01-S	4	Arm-Rocker ■
4	25 445 01-S	1	Strap-Lifting ■	19	24 599 02-S	4	Pivot-Arm, Rocker ■
5	12 755 03-S	4	Retainer Kit ■	20	12 086 16-S	8	Screw-Flange (M10X1.5X90) ■
6	12 173 01-S	4	Cap-Spring, Valve ■	21	M-640034-S	4	Screw-Flange (M6X1.0X34) ■
7	24 089 02-S	4	Spring-Valve ■	22	24 755 140-S	1	Valve Cover Oil Fill ASM (Includes 2, 3) ■
8	235011-S	4	Retainer-Spring ■	23	24 755 46-S	1	Oil Fill Cap ASM (Yellow) (Includes 24) ■
9	66 032 05-S	2	Seal-Stem, Valve ■	24	25 153 02-S	1	O-Ring (Dipstick) ■
10	24 318 68-S	1	No. 1 Cylinder Head ASM ■	25	24 402 03-S	1	Reed-Breather ■
11	24 017 01-S	2	Valve-Intake (STD) ■	26	66 018 04-S	1	Retainer-Reed ■
11	24 017 02-S	2	Valve-Intake (.25) ■	27	M-545010-S	1	Screw-HHFTF (M5X.80X10) ■
12	24 016 01-S	2	Valve-Exhaust (STD) ■	28	24 050 11-S	1	Filter-Breather ■
12	24 016 02-S	2	Valve-Exhaust (.25) ■	29	24 033 01-S	1	Breather Kit (Includes 30, 31) ■
13	24 755 66-S	1	Valve Train Kit (Includes 15, 18, 19) ■				
14	25 351 04-S	4	Lifter-Valve (Includes Camshaft Lubricant) ■				
15	24 411 05-S	4	Rod-Push ■				

● Not illustrated

■ Obtain parts from [www.kohlerplus.com](http://www.kohlerplus.com)

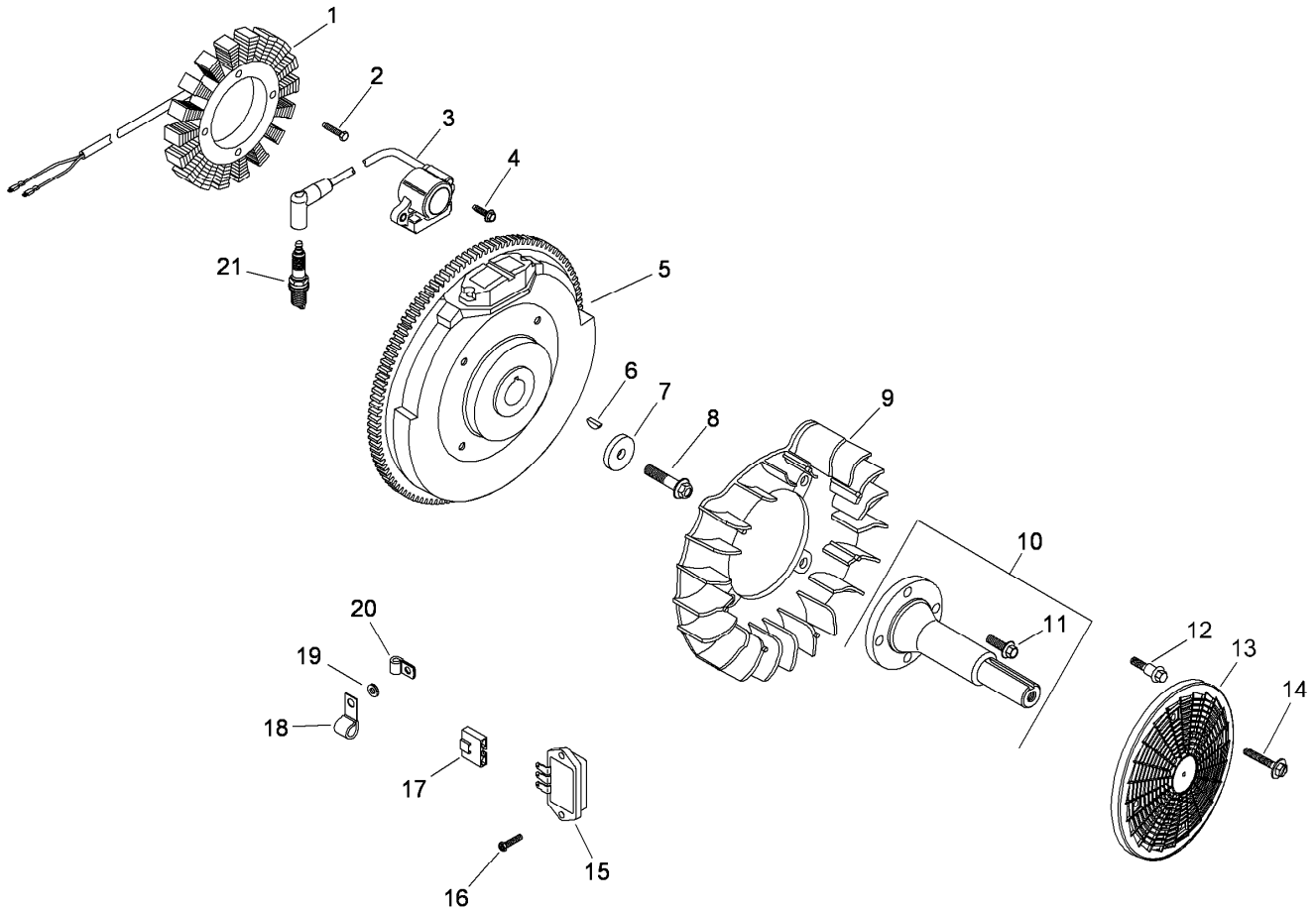


## Head, Valve and Breather Assembly Kohler CH20S-64762 (continued)

<i>Ref.</i>	<i>Part Number</i>	<i>Qty.</i>	<i>Description</i>	<i>Ref.</i>	<i>Part Number</i>	<i>Qty.</i>	<i>Description</i>
30	24 041 51-S	1	Gasket-Breather ■	24 755 147-S	2	Cylinder Head	
31	24 096 86-S	1	Cover-Breather ■				Hardware Kit (Includes
32	M-645020-S	4	Screw-HHFTF (M6X1.0X20) ■				5-9,11,12,15,18,19, 21) ●■
33	25 237 14-S	1	Clamp-Hose, Spring (1/2) ■	25 072 04-S	2	Stud (M8X1.25X33) ●■	
34	24 326 89-S	1	Hose-Breather ■	24 041 01-S	1	Gasket-Manifold, Intake ●■	
	M-545016-S	2	Screw-Flange, Thread Forming (M5X0.8X16) ■	24 041 49-S	1	Gasket-Exhaust ●■	
	M-545020-S	2	Screw-Flange, Thread Forming (M5X.8X20) ●■	24 100 10-S	1	Nut-Flange (M8X1.25) ●■	
				24 153 27-S	1	O-Ring (Intake Port) ●■	
				25 357 14-S	1	Lubricant-Camshaft ●■	

● Not illustrated

■ Obtain parts from [www.kohlerplus.com](http://www.kohlerplus.com)

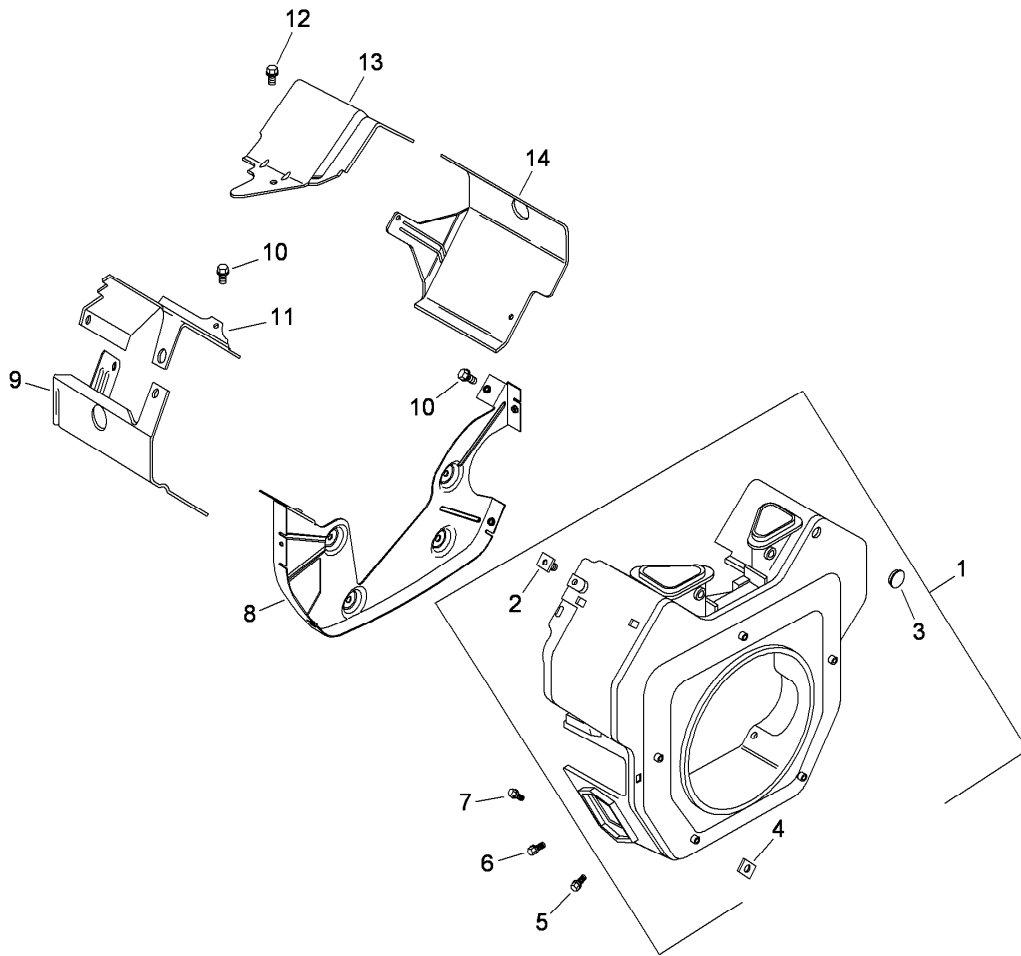


## Ignition and Electrical Assembly Kohler CH20S-64762

Ref.	Part Number	Qty.	Description	Ref.	Part Number	Qty.	Description
1	237878-S	1	Stator Kit (15 Amp) (Includeterminal) ■	13	24 162 34-S	1	Screen-Grass ■
2	M-548025-S	2	Screw-Thread Forming (M5X0.8X25) ■	14	25 086 117-S	4	Screw-Flange, Sems (M4X.7X25) ■
3	24 584 45-S	2	Module-Ignition (C D I Fixed) ■	15	41 403 09-S	1	Rectifier-Regulator ■
4	M-545020-S	4	Screw-Flange, Thread Forming (M5X.8X20) ■	16	25 086 157-S	2	Screw-Hex Flange, Hi-Lo ■
5	24 025 55-S	1	Flywheel ASM ■	17	236602-S	1	Connector (3 Contact) ■
6	X-42-15-S	1	Key (3/16 X 5/8) ■	18	235173-S	1	Clip-Cable ■
7	12 468 03-S	1	Washer-Flat (13/32) ■	19	X-25-63-S	1	Washer-Flat (1/4) ■
8	12 086 14-S	1	Screw-Flange (M10X1.5X45) ■	20	12 154 01-S	1	Clamp-Insulated ■
9	24 157 11-S	1	Fan ■	21	25 132 12-S	2	Spark Plug (Pro Series) ■
10	24 144 13-S	1	Shaft-Drive, Front (Includes 11) ■		25 086 91-S	2	Screw-Wsh HD Tap (8-18X.50) ● ■
11	M-839025-S	4	Screw-HF (M8X1.25X25) ■	24 126 137-S	1	Bracket-Strap, Ground ● ■	
12	25 086 47-S	4	Bolt-Shoulder (M6X1.0X16) ■	24 176 08-S	1	Harness-Wiring ● ■	
				25 454 07-S	2	Tie-Wire ● ■	
				25 452 01-S	2	Terminal ● ■	

● Not illustrated

■ Obtain parts from [www.kohlerplus.com](http://www.kohlerplus.com)

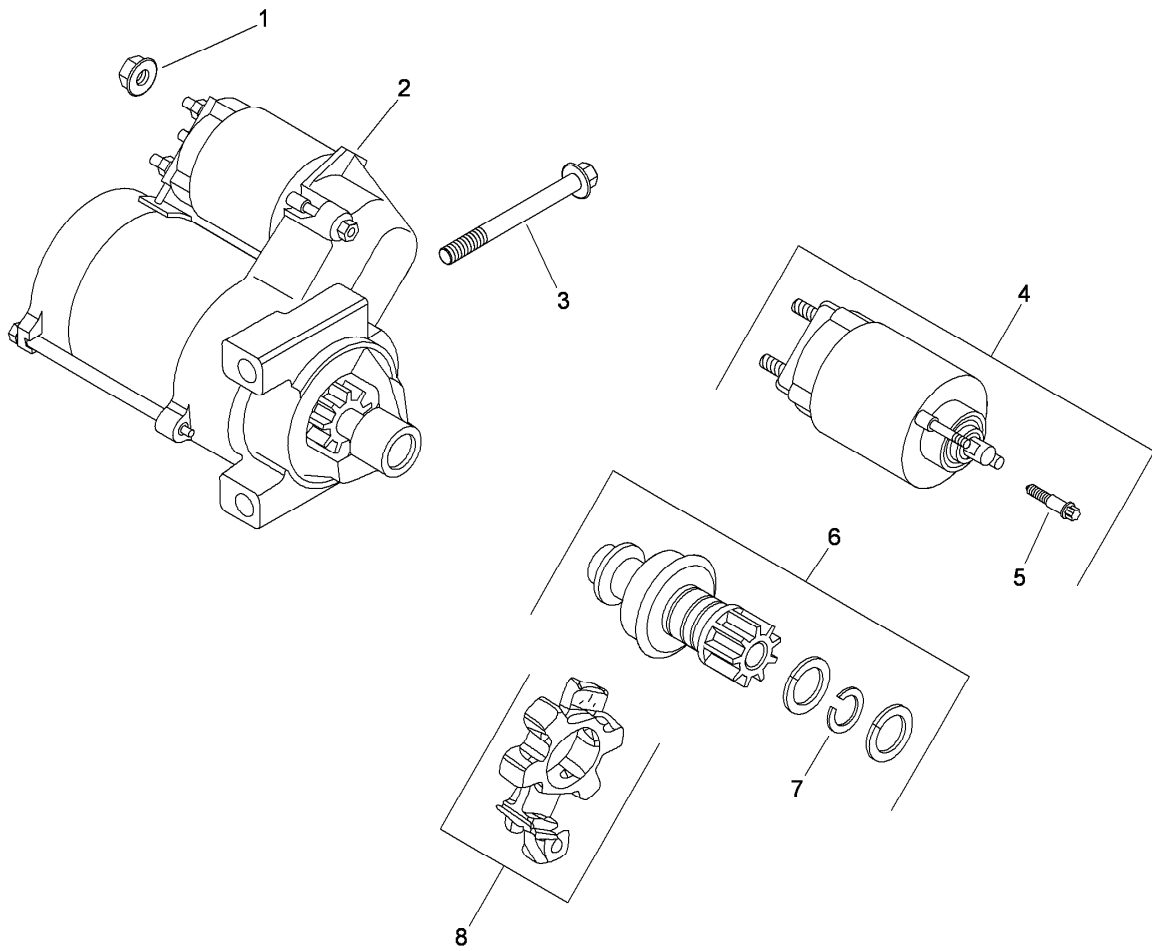


## Blower Housing and Baffle Assembly Kohler CH20S-64762

<i>Ref.</i>	<i>Part Number</i>	<i>Qty.</i>	<i>Description</i>
1	24 027 175-S	1	Blower Housing ASM (Includes 2-4) ■
2	24 100 02-S	2	Nut-Plastic ■
3	25 139 16-S	1	Plug-Button (9/16) ■
4	24 100 01-S	3	Nut-Plastic ■
5	M-561016-S	1	Screw-Flange, Thread Forming (M5X.80X16) ■
6	M-545016-S	3	Screw-Flange, Thread Forming (M5X0.8X16) ■
7	M-545020-S	2	Screw-Flange, Thread Forming (M5X.8X20) ■
8	24 146 50-S	1	Plate-Backing ■
9	24 063 39-S	1	Baffle-Barrel, Cylinder (No. 2 Side) ■
10	M-645016-S	4	Screw-Flange, Thread Forming (M6X1.0X16) ■
11	24 063 70-S	1	Baffle-Valley (No. 2 Side) ■
12	M-545010-S	2	Screw-HHFTF (M5X.80X10) ■
13	24 063 59-S	1	Baffle-Valley (No. 1 Side) ■
14	24 063 58-S	1	Baffle-Barrel, Cylinder (No. 1 Side) ■
	24 113 95-S	1	Decal-20 HP ●■
	25 113 39-S	1	Decal-Laminate, Clear ●■
	25 154 11-S	1	Clip-Repair (Speed Nut) ●■
	41 037 10-S	1	Nameplate-Service ●■

● Not illustrated

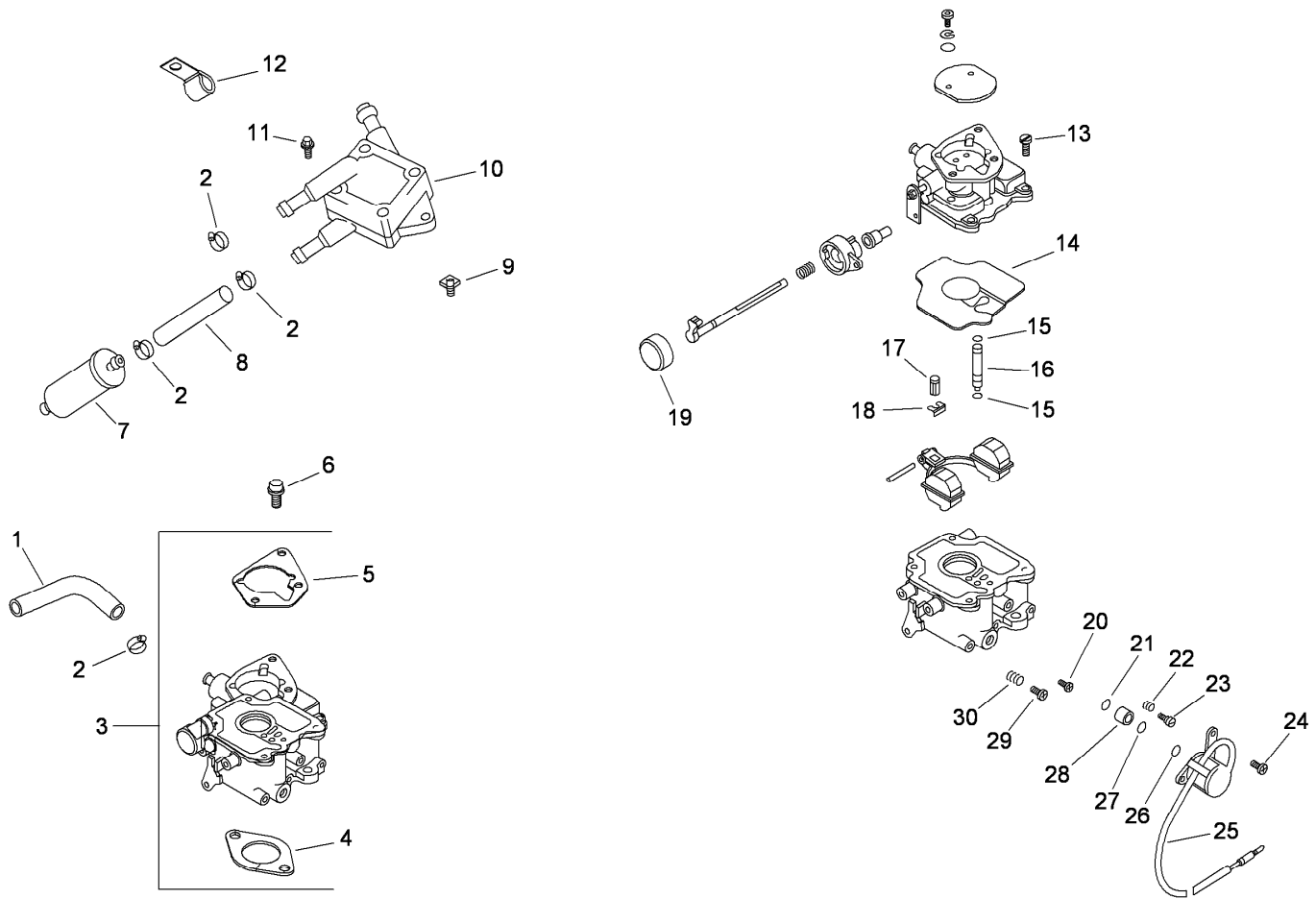
■ Obtain parts from [www.kohlerplus.com](http://www.kohlerplus.com)



## Starting System Assembly Kohler CH20S-64762

Ref.	Part Number	Qty.	Description
1	M-841080-S	1	Nut-Flange (M8X1.25) ●
2	25 098 09-S	1	Starter ASM (Solenoid Shift) ●
3	M-839080-S	2	Screw-Flg (M8X1.25X80) ●
4	25 435 06-S	1	Solenoid Kit (Includes 5) ●
5	25 086 113-S	3	Screw-Torx Head, External ●
6	25 755 33-S	1	Pinion Drive Kit (Includes 7) ●
7	25 141 05-S	1	Ring-Retaining ●
8	25 221 01-S	1	Brush Holder Kit ●

● Obtain parts from [www.kohlerplus.com](http://www.kohlerplus.com)

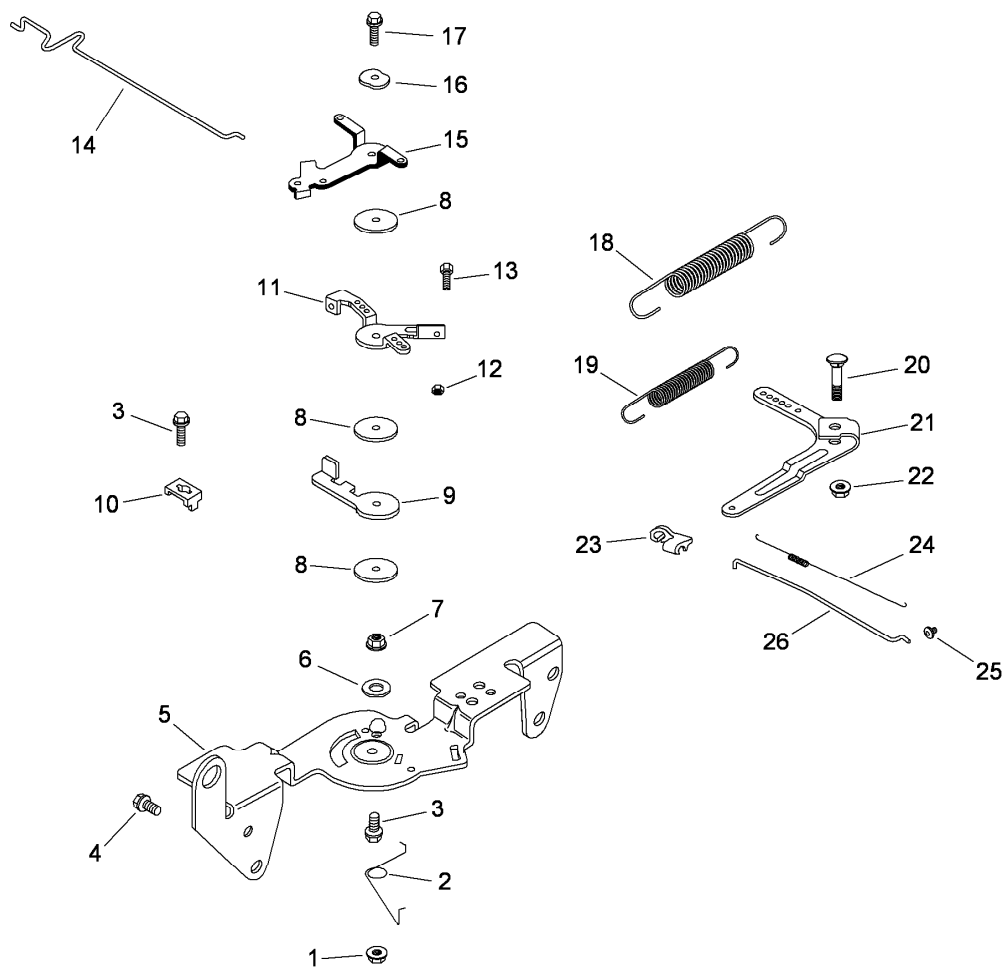


## Fuel System Assembly Kohler CH20S-64762

Ref.	Part Number	Qty.	Description	Ref.	Part Number	Qty.	Description
1	25 111 34-S	2	Line-Fuel (24.0 Cut To Length) ■	19	24 173 02-S	1	Cap-Lever, Choke ■
2	25 237 14-S	2	Clamp-Hose, Spring (1/2) ■	20	24 337 02-S	1	Jet-Main ■
3	24 853 32-S	1	Carburetor Kit (Includes 4, 5) ■	21	24 153 06-S	1	O-Ring (Solenoid) ■
4	24 041 17-S	1	Gasket-Carburetor ■	22	24 089 11-S	1	Spring-Needle, Idle ■
5	24 041 06-S	1	Gasket-Base, Air Cleaner ■	23	24 368 01-S	1	Needle-Idle ■
6	M-651030-S	2	Screw-Flange (M6X1.0X30) ■	24	24 086 07-S	2	Screw (Solenoid) ■
7	24 050 13-S	1	Filter-Fuel ■	25	24 435 01-S	1	Solenoid ASM ■
8	24 353 02-S	1	Line-Fuel, Flexible (15.5) ■	26	24 153 04-S	1	O-Ring (Solenoid) ■
9	24 100 01-S	2	Nut-Plastic ■	27	24 153 05-S	1	O-Ring (Solenoid) ■
10	24 393 16-S	1	Pump-Fuel ■	28	24 521 01-S	1	Seat-Solenoid ■
11	24 086 12-S	2	Screw-TAP (M6X1.7X18) ■	29	24 086 10-S	1	Screw-Speed Adjust, Idle ■
12	47 154 01-S	1	Clip-Cable ■	30	24 089 10-S	1	Spring-Speed Adjust, Idle ■
13	24 086 09-S	4	Screw (Carburetor Body) ■	24 337 10-S	1	Jet-Main (Optional) ● ■	
14	24 041 09-S	1	Gasket-Body, Carburetor ■	24 757 07-S	1	Choke Repair Kit ● ■	
15	24 153 02-S	2	O-Ring (Slow Jet) ■	24 757 02-S	1	Float Repair Kit ● ■	
16	24 337 01-S	1	Jet-Slow ■	24 755 125-S	1	High Altitude Kit ● ■	
17	24 462 01-S	1	Valve-Needle, Inlet ■	24 757 01-S	1	Solenoid Repair Kit ● ■	
18	24 154 01-S	1	Clip-Valve, Needle Inlet ■	24 757 03-S	1	Carburetor Repair Kit ● ■	
				25 086 158-S	1	Screw-Flanged, Thread Forming (M6X1.0X11) ● ■	

● Not illustrated

■ Obtain parts from [www.kohlerplus.com](http://www.kohlerplus.com)

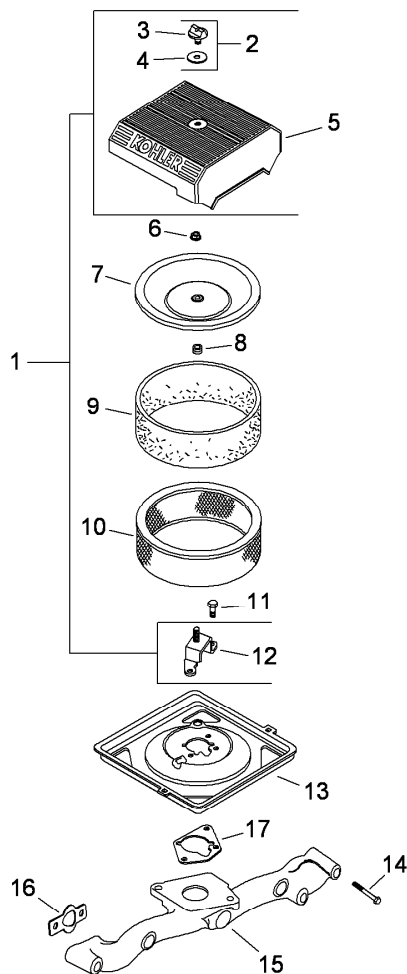


## Engine Control Assembly Kohler CH20S-64762

Ref.	Part Number	Qty.	Description	Ref.	Part Number	Qty.	Description
1	M-547050-S	1	Nut-Lock (M5X.8) ●	15	24 090 05-S	1	Lever-Choke ●
2	24 089 03-S	1	Spring-Return, Choke ●	16	41 468 03-S	1	Washer-Spring (1/4) ●
3	M-545016-S	3	Screw-Flange, Thread Forming (M5X0.8X16) ●	17	M-545020-S	1	Screw-Flange, Thread Forming (M5X.8X20) ●
4	M-645016-S	4	Screw-Flange, Thread Forming (M6X1.0X16) ●	18	24 089 51-S	1	Spring-Limiter, Throttle ●
5	24 126 56-S	1	Bracket-Control ●	19	24 089 46-S	1	Spring-Governor ●
6	X-20-1-S	1	Washer-Lock (.25) ●	20	24 211 03-S	1	Bolt-Sq Neck, Rd HD (M6X1.0X25) ●
7	M-541050-S	1	Nut-HF (M5X0.8) ●	21	24 090 51-S	1	Lever-Governor ●
8	24 468 01-S	3	Washer-Flat (5.5MM) ●	22	M-641060-S	1	Nut-Flange (M6X1.0) ●
9	24 090 07-S	1	Lever-Actuator, Throttle ●	23	25 158 11-S	1	Bushing-Retaining, Linkage ●
10	12 237 01-S	2	Clamp-Cable ●	24	24 089 01-S	1	Spring-Linkage ●
11	24 090 03-S	1	Lever-Control, Throttle ●	25	25 158 08-S	1	Bushing-Linkage, Throttle ●
12	M-446030-S	1	Nut (M4X0.7) ●	26	24 079 01-S	1	Linkage-Throttle ●
13	M-401030-S	1	Screw (M4X0.7X30) ●				
14	24 079 21-S	1	Linkage-Choke ●				

● Obtain parts from [www.kohlerplus.com](http://www.kohlerplus.com)



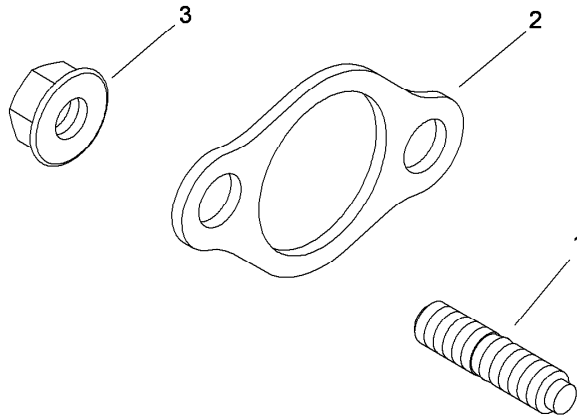


## Air Intake and Filtration Assembly Kohler CH20S-64762

Ref.	Part Number	Qty.	Description
1	24 743 06-S	1	Air Cleaner Cover Kit (Includes 2-5, 12) ■
2	54 755 01-S	1	Knob And Seal Kit (Includes 3, 4) ■
3	25 341 04-S	1	Knob-Cover ■
4	24 153 20-S	1	O-Ring ■
5	24 096 26-S	1	Cover-Air Cleaner ■
6	M-647060-S	1	Nut-Lock (M6X1.0) ■
7	24 096 01-S	1	Cover-Air Cleaner, Inner ■
8	230046-S	1	Seal ■
9	24 083 05-S	1	Pre-Cleaner ■
10	24 083 03-S	1	Element-Filter, Air ■
11	24 086 53-S	3	Screw-Flange, Thread Forming (M6X1.0X16) ■
12	24 126 141-S	1	Bracket-Base, Air Cleaner ■
13	24 094 37-S	1	Base-Cleaner, Air ■
14	25 086 84-S	4	Screw-HF (M6X1.0X55) ■
15	24 164 14-S	1	Manifold-Intake ■
16	24 041 01-S	2	Gasket-Manifold, Intake ■
17	24 041 06-S	1	Gasket-Base, Air Cleaner ■
	28 112 01-S	1	Spacer (Pivot) ● ■

● Not illustrated

■ Obtain parts from [www.kohlerplus.com](http://www.kohlerplus.com)



## Exhaust Assembly Kohler CH20S-64762

<i>Ref.</i>	<i>Part Number</i>	<i>Qty.</i>	<i>Description</i>
1	25 072 14-S	4	Stud (M8X1.25X33) ●
2	24 041 49-S	2	Gasket-Exhaust ●
3	M-841080-S	4	Nut-Flange (M8X1.25) ●

● Obtain parts from [www.kohlerplus.com](http://www.kohlerplus.com)

**Notes:**



**Count on it.**