



Count on it.

Parts Catalog

Dingo® TX 420 Compact Utility Loader

Model No. 22306—Serial No. 250000401 and Up



Ordering Replacement Parts

To order replacement parts, please supply the part number, the quantity, and the description of each part desired.

Understanding Reference Numbers

Each identified part in an illustration has a reference number. The reference number for a part also appears in the parts list, along with other information about the part.

This catalog uses two special reference number formats, one to indicate parts in a service assembly and another to indicate the quantity of a given part in an illustration.

Service Assembly Reference Numbers

Parts in service assemblies have reference numbers in the form a:b. The a represents the reference number of the entire service assembly and the b represents a sequential number unique to each part within the service assembly.

For example, a wheel assembly might be identified by reference number 6, the tire by 6:1, the valve by 6:2, and the wheel by 6:3. When you order the assembly identified by reference number 6, you receive all parts identified by reference numbers 6:1, 6:2, and 6:3. However, you may also order any part individually. Reference numbers of this type appear in illustration and in parts lists.

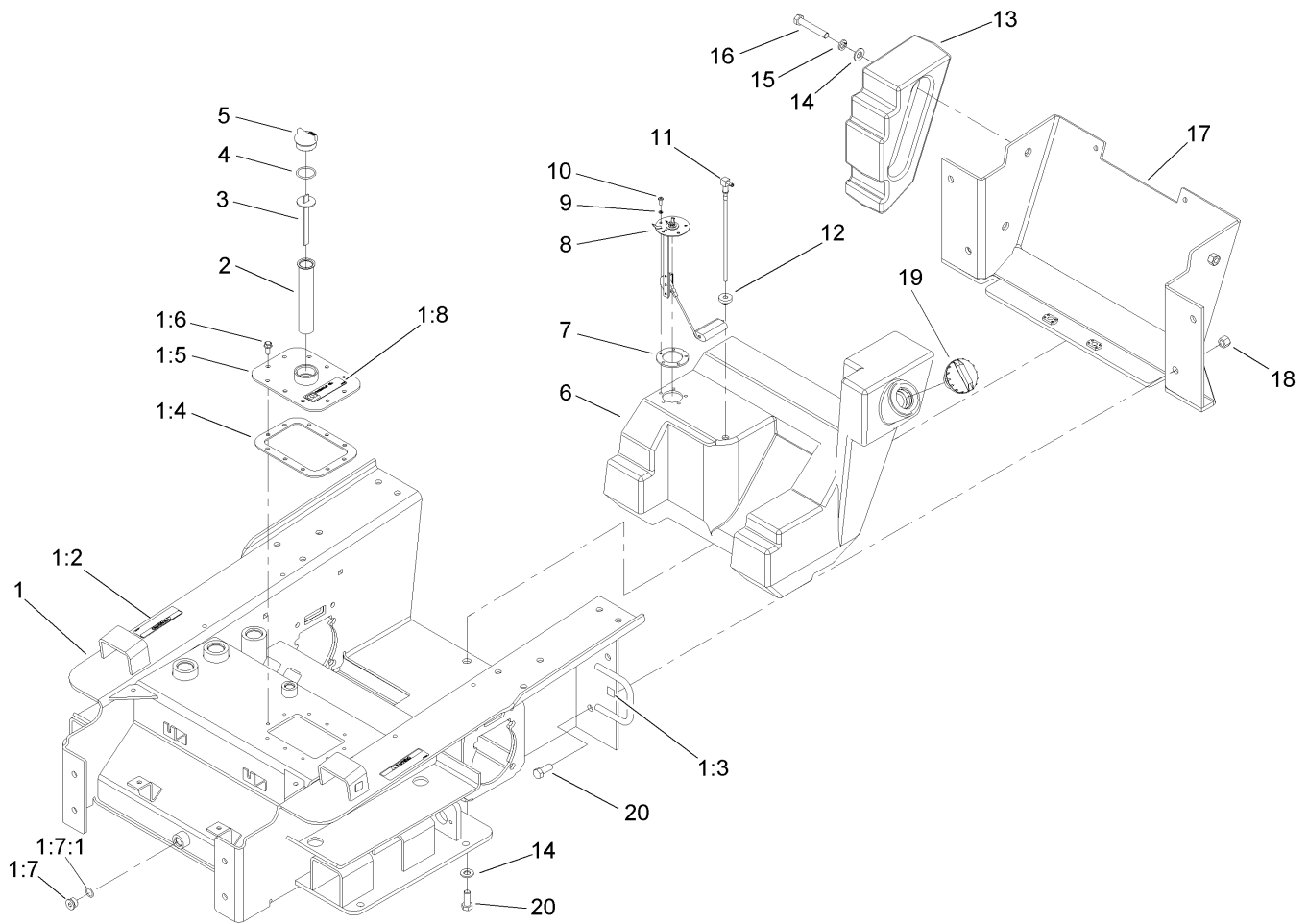
Reference Numbers Indicating Quantity

In an illustration, if a reference number indicates more than one part, the reference number has the form nX y. The n represents the quantity of the part, the X is the multiplication symbol, and the y represents the reference number.

For example, in an illustration, the reference number 2X 37 means that two of the parts identified by reference number 37 are indicated.

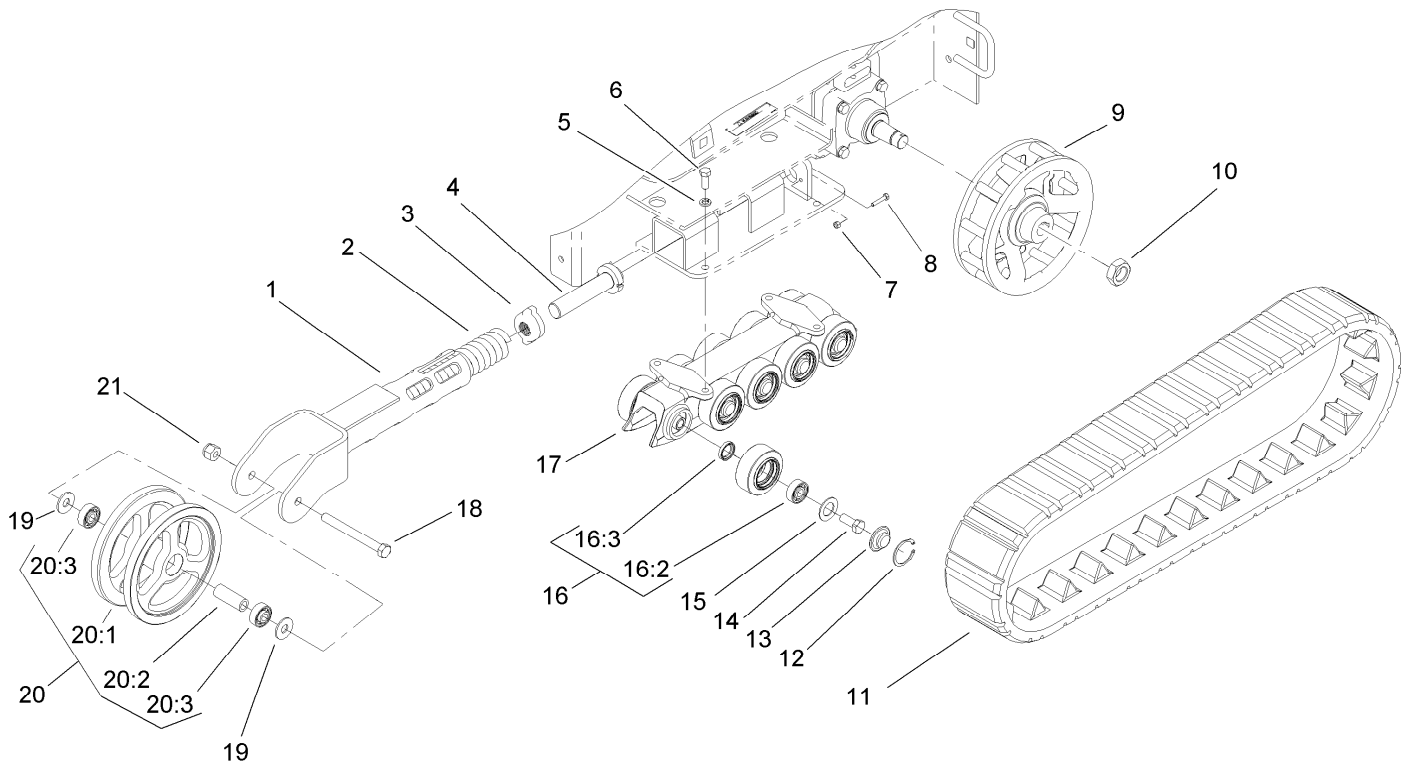
Contents

Main Frame and Fuel Tank Assembly	4
Track and Traction Assembly	5
Parking Brake Assembly	6
Loader Tower and Drive Assembly	7
Traction Hydraulic Assembly	8
Hydraulic Pump Assembly No. 106-5705 and 106-5706	9
Hydraulic Motor Assembly No. 106-7654	10
Engine and Mount Assembly	11
Hydraulic Pump and Filter Assembly	12
Hydraulic Gear Pump Assembly No. 106-7650	13
Control Panel Assembly	14
Traction Control Assembly	15
Principal Hydraulic Assembly	16
Two Spool Valve Assembly No. 106-9307	18
One Spool Valve Assembly No. 104-2831	19
Loader Arm Assembly	20
Loader Arm Hydraulic Assembly	21
Left Hand Hydraulic Lift Cylinder Assembly No. 104-6267	22
Right Hand Hydraulic Lift Cylinder Assembly No. 104-6269	23
Hydraulic Cylinder Assembly No. 105-8370	24
Quick Attach Assembly	25
Electrical System Assembly	26
Grill Assembly	27
Hydraulic Oil Cooler Assembly	28
Hood Assembly	29
Rear Access Cover Assembly	30
Crankshaft Assembly Kohler CH20S 64725	31
Crankcase Assembly Kohler CH20S 64725	32
Oil Pan and Lubrication Assembly Kohler CH20S 64725	33
Head, Valve and Breather Assembly Kohler CH20S 64725	34
Ignition and Electrical Assembly Kohler CH20S 64725	36
Blower Housing and Baffle Assembly Kohler CH20S 64725	37
Starting System Assembly Kohler CH20S 64725	38
Fuel System Assembly Kohler CH20S 64725	39
Engine Control Assembly Kohler CH20S 64725	40
Air Intake and Filtration Assembly Kohler CH20S 64725	41
Exhaust Assembly Kohler CH20S 64725	42
Attachments and Accessories	43



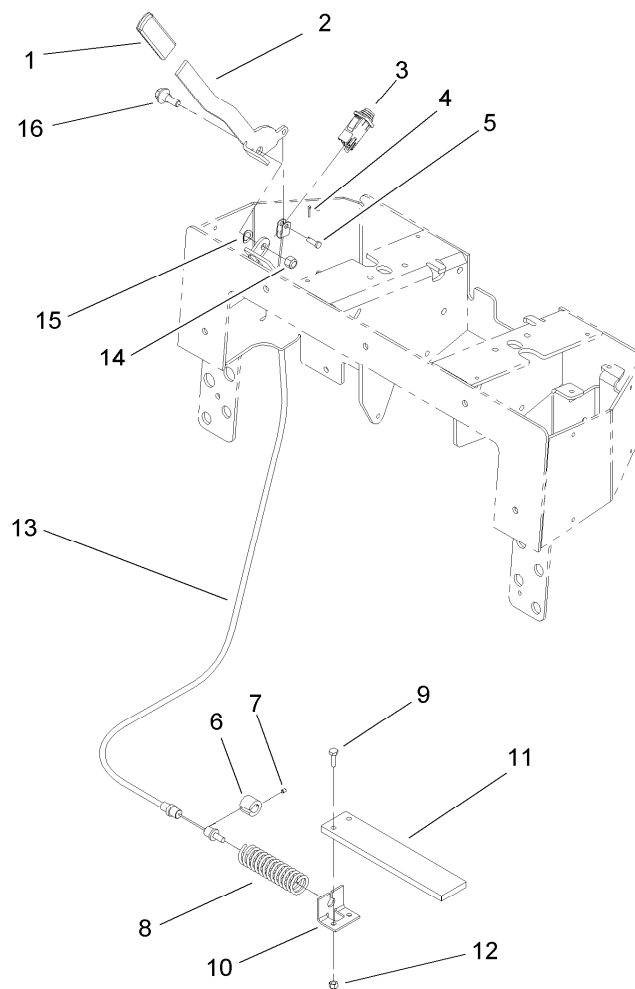
Main Frame and Fuel Tank Assembly

<i>Ref.</i>	<i>Part Number</i>	<i>Qty.</i>	<i>Description</i>	<i>Ref.</i>	<i>Part Number</i>	<i>Qty.</i>	<i>Description</i>
1	106-9344	1	Chassis ASM	7	113372	1	Gasket-Sender, Fuel
1:2	100-6141	2	Decal-Pinch	8	100-1298	1	Sender-Fuel
1:3	93-9084	4	Decal-Point, Lift	9	3253-17	5	Washer-Lock
1:4	100-1253	1	Gasket-Cover, Access	10	3250-31	5	Screw-PPH
1:5	104-8389-01	1	Tank Cover ASM	11	98-0185	1	Pipe-Stand
1:6	98-9940	10	Screw-HHF	12	46-6560	1	Bushing
1:7	353-988	2	Plug-Hex	13	99-6165-01	2	Counterweight-Rear
1:7:1	237-79	1	O-Ring	14	3256-26	6	Washer-Flat
1:8	105-8432	1	Decal-Oil, HYD	15	3253-7	4	Washer-Lock
2	61-2790	1	Filter-Screen	16	325-12	4	Screw-HH
3	100-2097	1	Dipstick-Oil	17	106-9388-01	1	Rear Chassis Cover ASM
4	237-123	1	O-Ring	18	3296-23	4	Nut-Lock, NI
5	93-7498	1	Plug-Plastic	19	93-3101	1	Cap-Fuel
6	95-3619	1	Tank-Fuel	20	325-5	6	Screw-HH



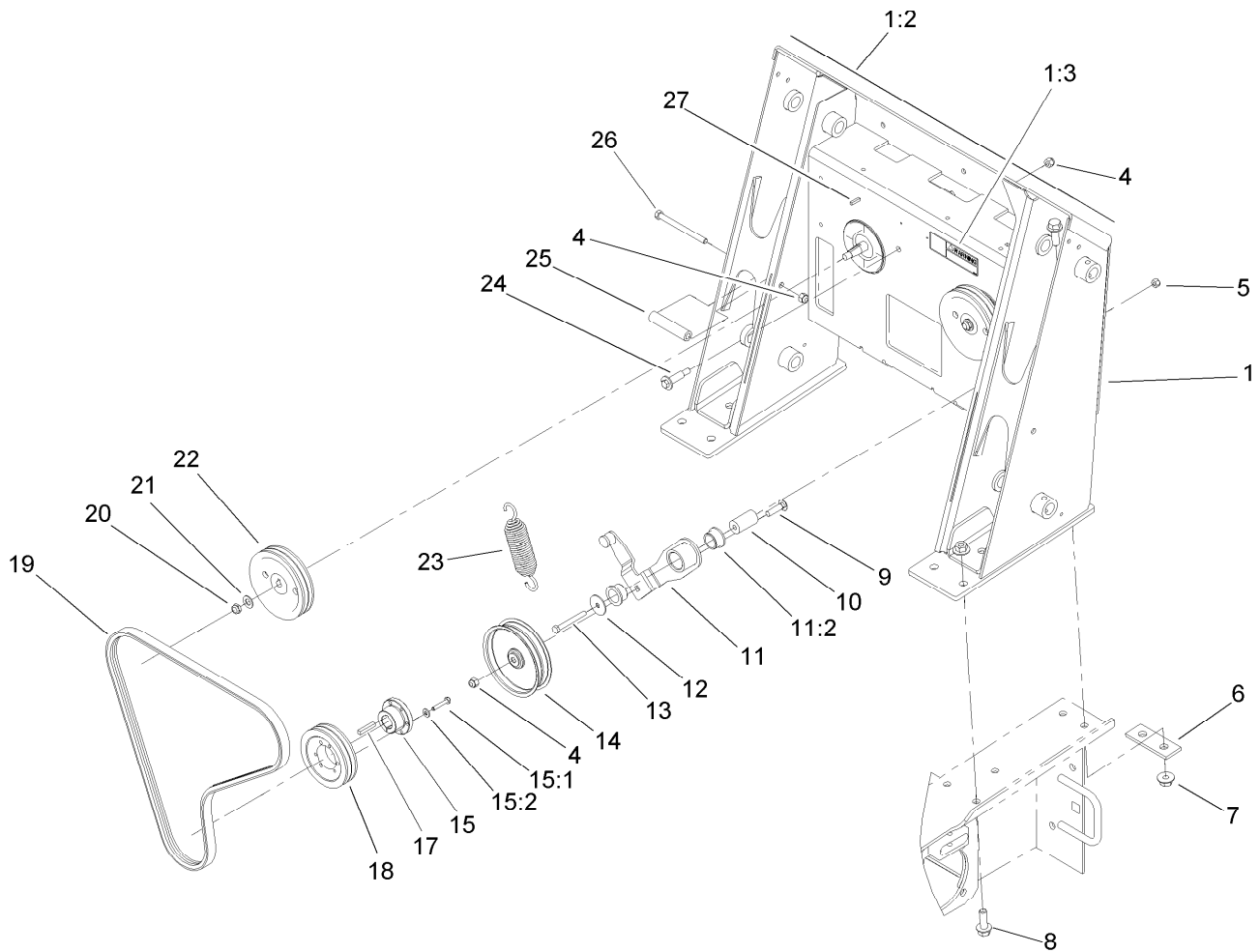
Track and Traction Assembly

<i>Ref.</i>	<i>Part Number</i>	<i>Qty.</i>	<i>Description</i>	<i>Ref.</i>	<i>Part Number</i>	<i>Qty.</i>	<i>Description</i>
1	108-4660-03	2	Tensioner Arm ASM	14	327-4	20	Screw-HH
2	95-3624	2	Spring-Compression	15	106-7585	20	Gasket-Bogie
3	108-4664	2	Block-Tensioner	16	106-7621	20	Road Wheel ASM
4	98-9846	2	Bolt-Tensioner	16:2	93-4237	1	Bearing
5	3253-7	8	Washer-Lock	16:3	253-118	1	Seal-Oil
6	325-5	8	Screw-HH	17	106-7590-03	2	Guide-Track
7	3296-42	2	Nut-Lock, NI	18	327-17	2	Screw-HH
8	321-13	2	Screw-HH	19	3256-7	4	Washer-Flat
9	108-5643-03	2	Wheel-Drive	20	104-5745	2	Tensioner Wheel ASM
10	107-9319	2	Nut-Hex	20:1	104-5747-03	1	Wheel-Tensioner
11	98-9800	2	Track	20:2	98-9835	1	Spacer-Wheel, Tensioner
12	106-7595	20	Ring-Snap, Internal	20:3	93-4237	2	Bearing
13	106-7557	20	Cap-Wheel, Bearing	21	3296-24	2	Nut-Hex



Parking Brake Assembly

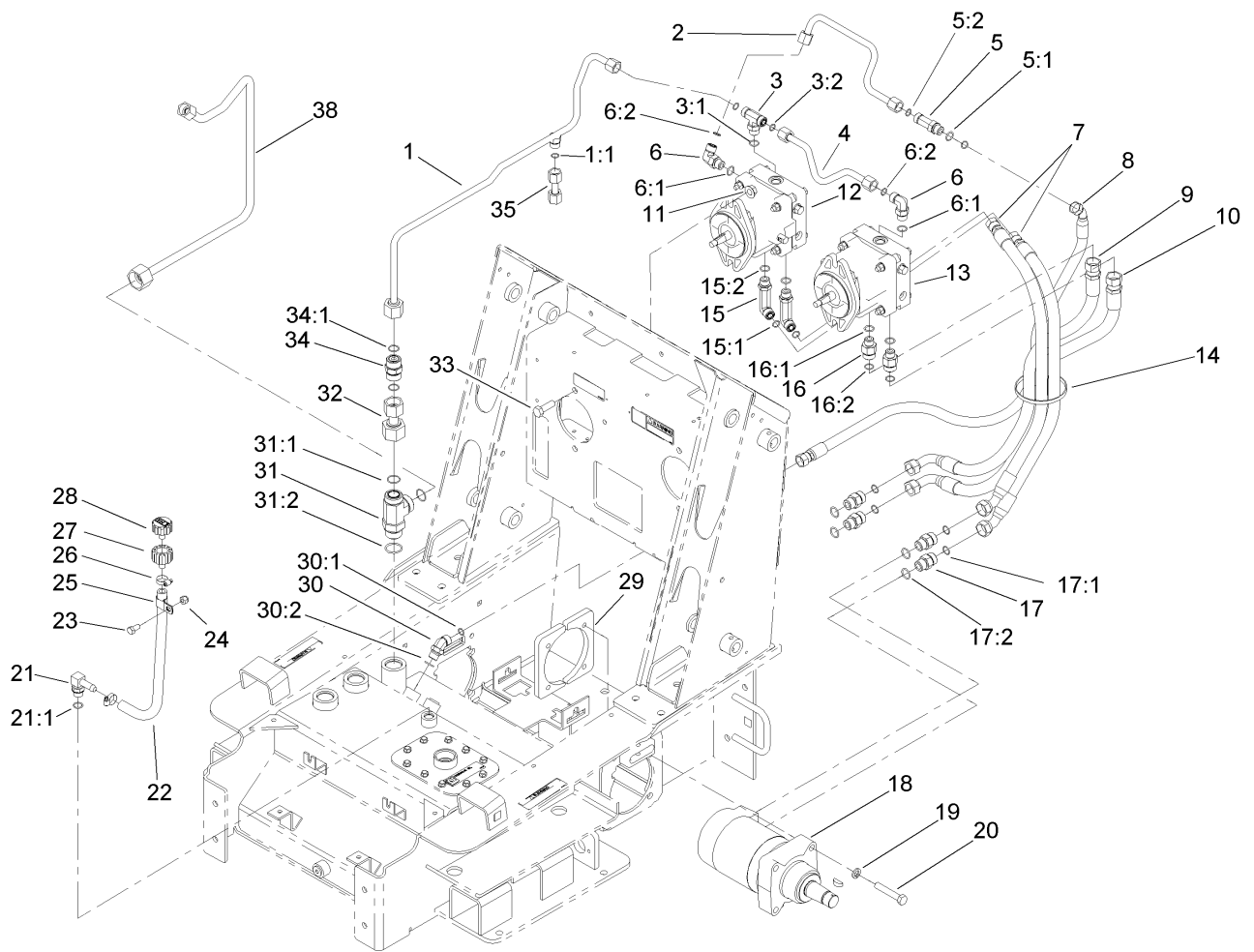
Ref.	Part Number	Qty.	Description
1	62-9130	1	Grip-Handle
2	106-9370-03	1	Handle-Brake
3	108-4653	1	Switch-Plunger
4	3272-5	1	Pin-Cotter
5	283-67	1	Pin-Clevis
6	100-6274	2	Tube-Guide
7	3245-20	2	Screw-Set
8	100-1678	1	Spring
9	321-5	4	Screw-HH
10	106-9395-03	2	Bracket-Mounting, Brake
11	106-9379-03	2	Plate-Brake
12	3296-42	4	Nut-Lock, NI
13	106-9394	1	Cable-Brake
14	3296-6	1	Nut-Lock
15	3290-221	2	Washer-Spring
16	93-2364	1	Bolt-Shoulder



Loader Tower and Drive Assembly

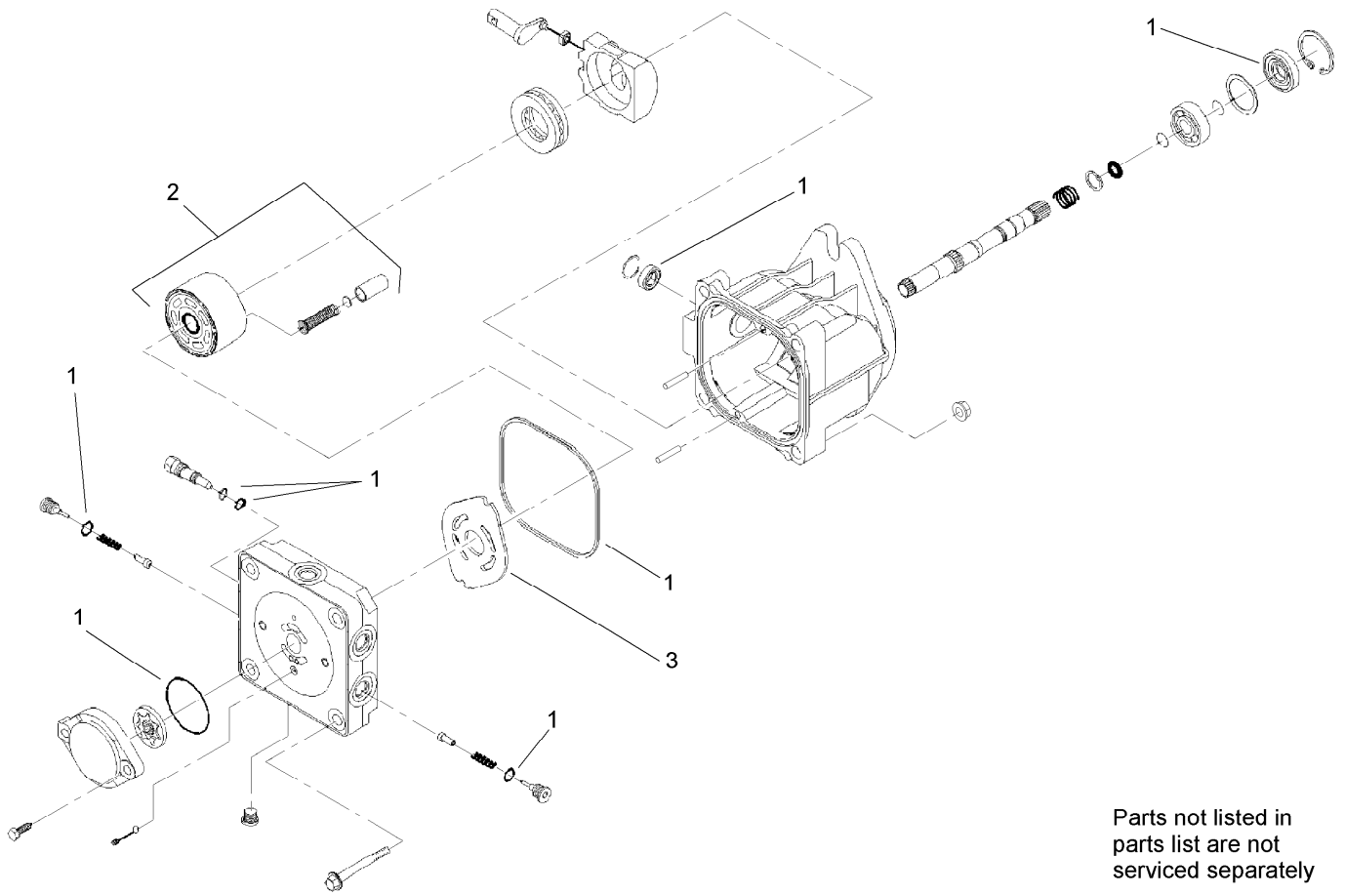
<i>Ref.</i>	<i>Part Number</i>	<i>Qty.</i>	<i>Description</i>
1	106-9380	1	Loader Tower ASM
1:2	108-4658	1	Decal-Panel, Control
1:3	80-8040	1	Decal-Warning
4	3296-39	4	Nut-Lock, NI
5	3296-29	1	Nut-Lock, NI
6	100-6123-01	2	Plate-Stiffener
7	32128-52	10	Nut-Lock, Flange
8	100-6116	10	Screw-HHF
9	3231-26	1	Screw-CARR
10	104-5739	1	Spacer-Mounting
11	99-6167	1	Idler Arm ASM
11:2	256-132	2	Bushing-Flange
12	3256-68	1	Washer-Flat
13	322-13	1	Screw-HH
14	95-3707	1	Pulley-Idler

<i>Ref.</i>	<i>Part Number</i>	<i>Qty.</i>	<i>Description</i>
15	61-3340	1	Bushing
15:1	100-4208	3	Screw-HH
15:2	100-4209	3	Washer-Lock / Sp
17	67-7490	1	Key-Square
18	61-3330	1	Pulley
19	95-3611	1	V-Belt
20	3296-38	2	Nut-Lock, NI
21	3256-25	2	Washer-Flat
22	106-5710-03	2	Pulley
23	105-0383	1	Spring-Extension
24	56-6590	1	Bolt-Wheel
25	100-1271	2	Tube-Spacer
26	323-23	2	Screw-HH
27	3-6168	2	Key



Traction Hydraulic Assembly

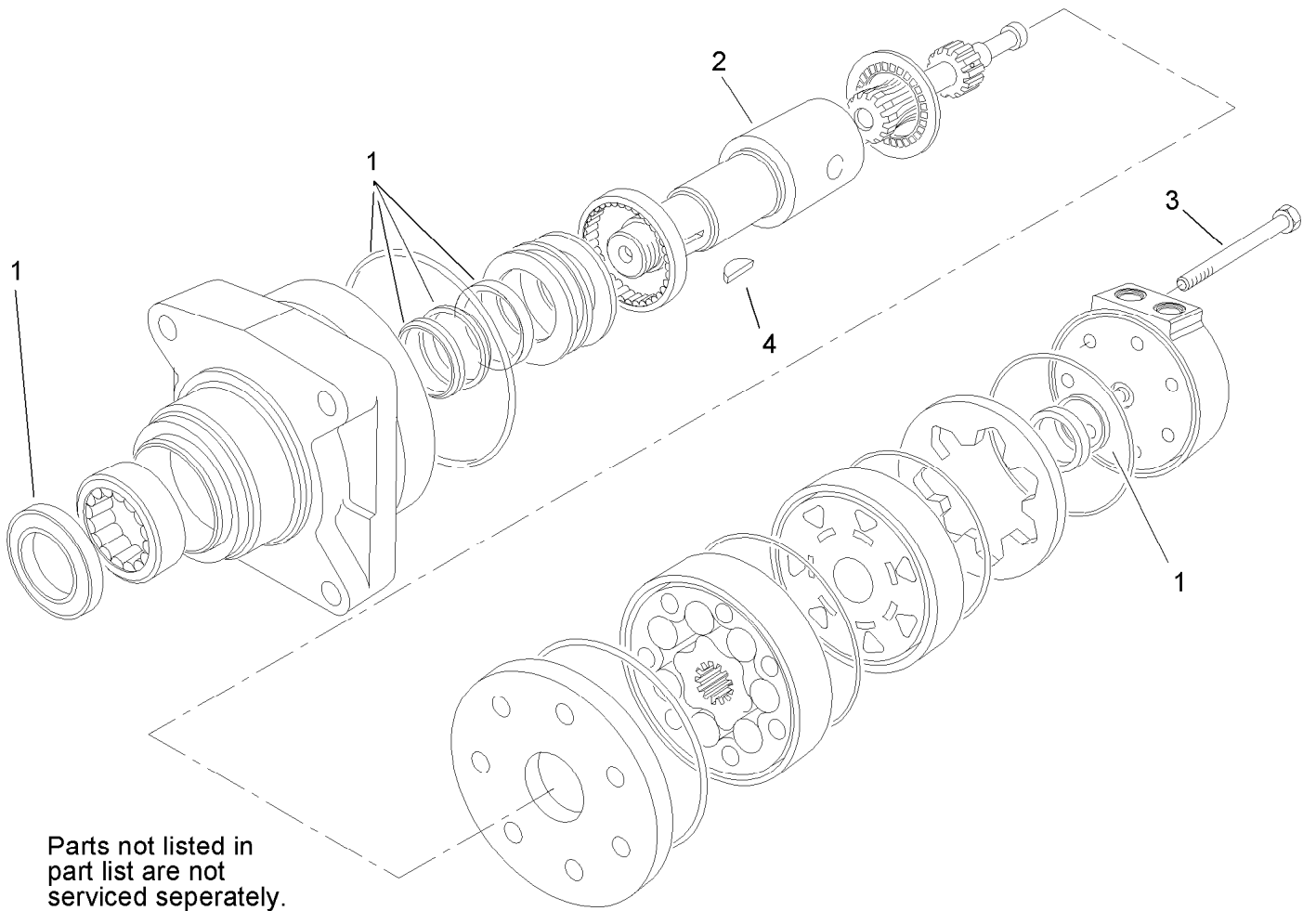
Ref.	Part Number	Qty.	Description	Ref.	Part Number	Qty.	Description
1	108-4665	1	HYD Tube ASM	17:1	237-65	1	O-Ring
1:1	237-30	1	O-Ring	17:2	237-80	1	O-Ring
2	98-0200	1	Tube-HYD	18	106-7654	2	HYD Motor ASM
3	340-157	1	Fitting-HYD, Tee	19	3253-7	8	Washer-Lock
3:1	237-79	1	O-Ring	20	325-11	8	Screw-HH
3:2	237-30	2	O-Ring	21	354-120	1	Fitting-Elbow, 90
4	106-9330	1	Tube-HYD	21:1	237-79	1	O-Ring
5	340-109	1	Fitting-Tee	22	106-5709	1	Hose-Vent
5:1	237-79	1	O-Ring	23	323-4	1	Screw-HH
5:2	237-30	2	O-Ring	24	3296-39	1	Nut-Lock, NI
6	340-98	2	Fitting-Elbow, 90 DEG	25	2412-4	1	Clamp-R
6:1	237-79	1	O-Ring	26	2412-36	2	Clamp-Hose
6:2	237-30	1	O-Ring	27	92-8020	1	Adapter-Breather
7	98-0233	2	Hose-HYD	28	68-6150	1	Breather
8	98-0201	1	Hose-HYD	29	98-2763-03	4	Plate-Mounting
9	98-0235	1	HYD Hose ASM	30	340-101	1	Fitting-HYD, 45 DEG
10	98-0177	1	HYD Hose ASM	30:1	237-30	1	O-Ring
11	32128-23	4	Nut-HF	30:2	237-79	1	O-Ring
12	106-5706	1	RH HYD Pump ASM	31	104-3795	1	Fitting-Tee
13	106-5705	1	LH HYD Pump ASM	31:1	340-65	2	O-Ring
14	3334-945	1	Tie-Cable	31:2	237-146	1	O-Ring
15	99-6160	2	Fitting-Elbow, 90 Long	32	105-0226	1	Tube-HYD
15:1	237-30	1	O-Ring	33	325-6	4	Screw-HH
15:2	237-79	1	O-Ring	34	99-6161	1	HYD Check Valve ASM
16	340-155	2	Fitting-Straight	34:1	237-58	2	O-Ring
16:1	237-79	1	O-Ring	35	108-4666	1	Tube-HYD
16:2	237-151	1	O-Ring	38	106-9332	1	HYD Tube ASM
17	340-7	4	Fitting-Straight				



Parts not listed in parts list are not serviced separately

Hydraulic Pump Assembly No. 106-5705 and 106-5706

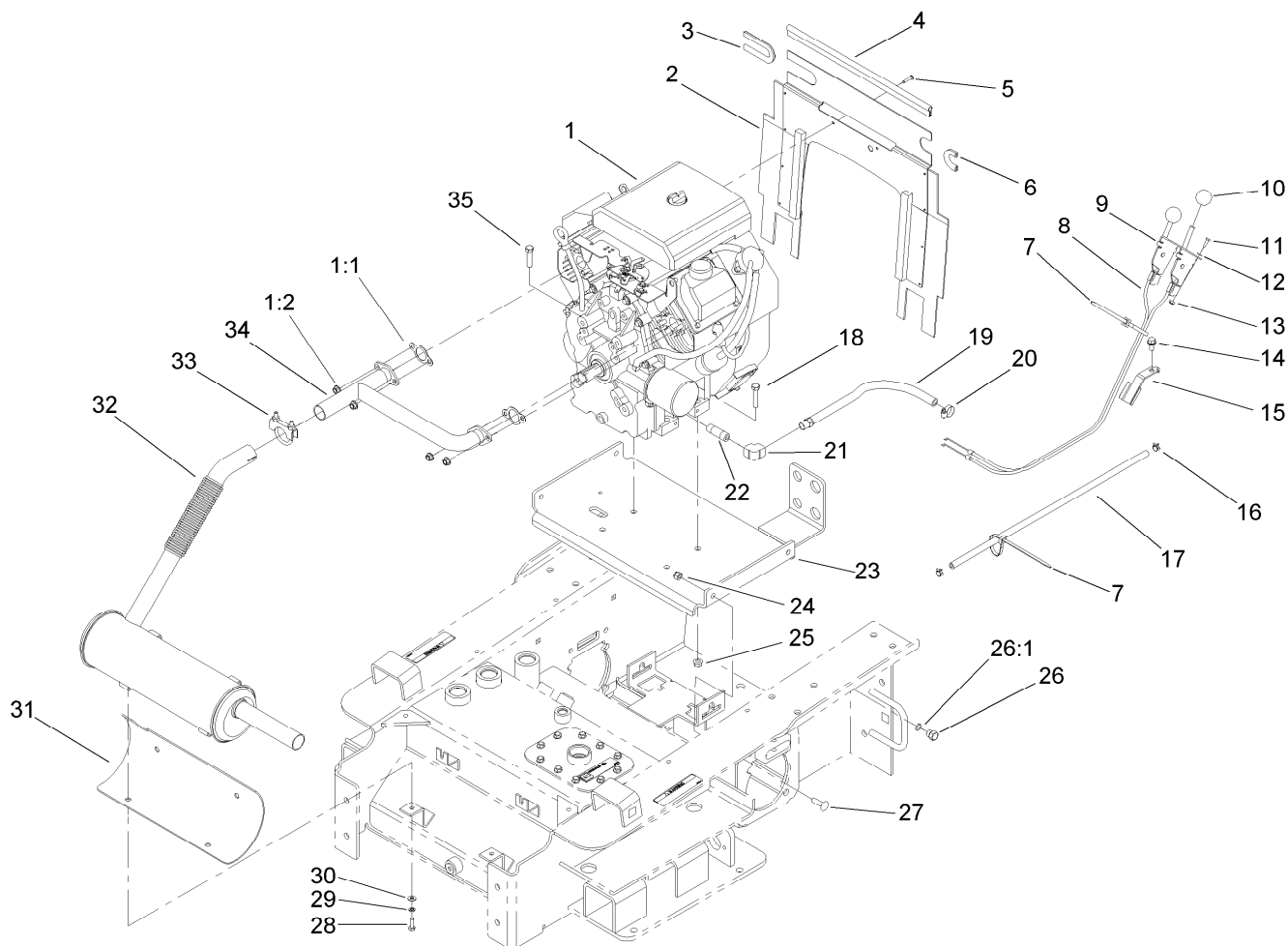
<i>Ref.</i>	<i>Part Number</i>	<i>Qty.</i>	<i>Description</i>
1	100-6110	1	Overhaul Seal Kit
2	94-1913	1	Cylinder Block ASM
3	100-6112	1	Plate-Valve



Parts not listed in
part list are not
serviced seperately.

Hydraulic Motor Assembly No. 106-7654

<i>Ref.</i>	<i>Part Number</i>	<i>Qty.</i>	<i>Description</i>
1	100-6131	1	Seal Kit
2	106-7645	1	Coupling-Shaft
3	100-4241	7	Screw-HH
4	3257-42	1	Key-Woodruff

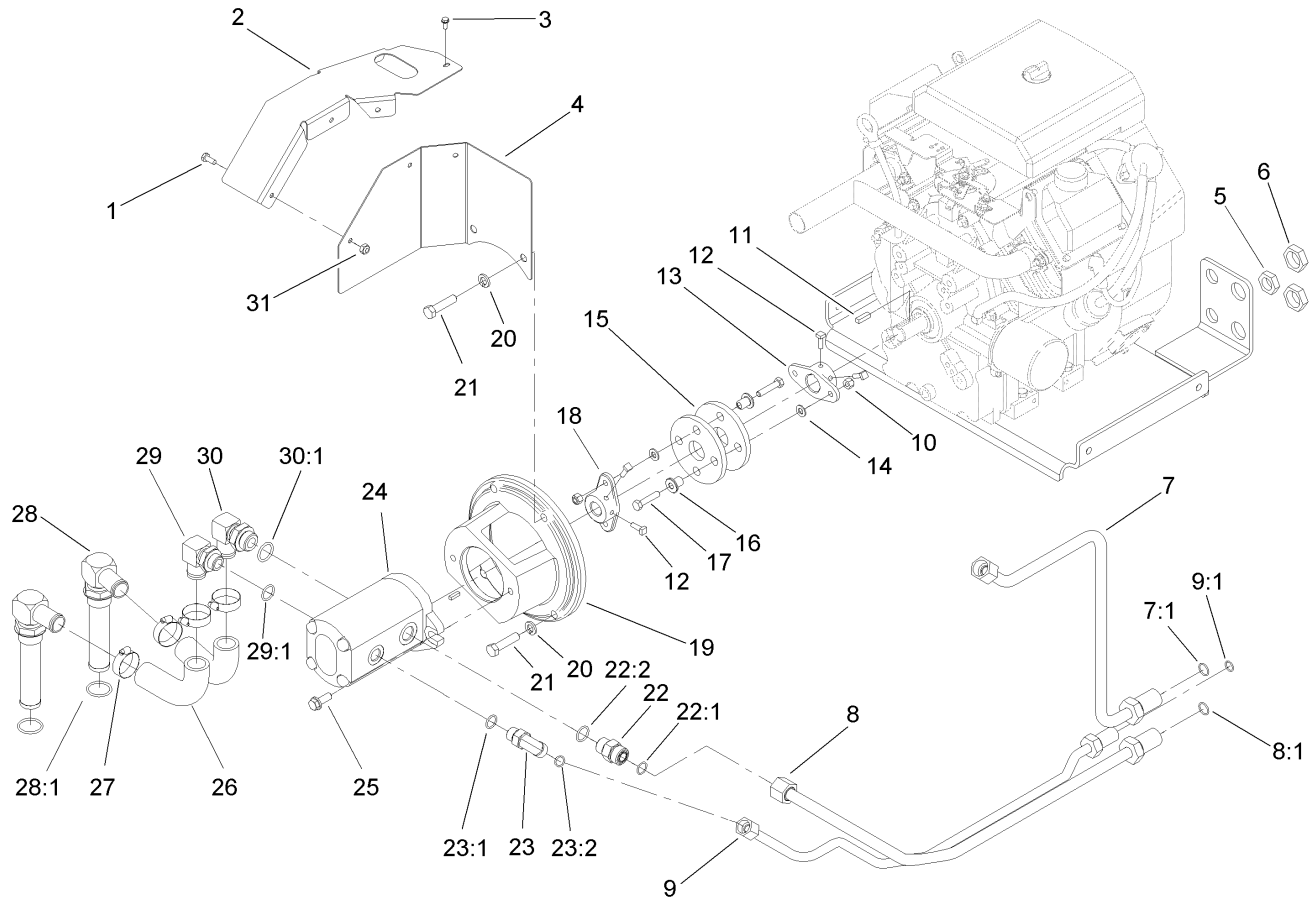


Engine and Mount Assembly

Ref.	Part Number	Qty.	Description	Ref.	Part Number	Qty.	Description
1		1	Engine-Kohler, Ch20S-64725 ●■	18	323-53	3	Screw-HH
1:1	93-0350	2	Gasket-Exhaust	19	100-1256	1	Oil Hose ASM
1:2	92-6780	4	Nut-HF	20	2412-36	1	Clamp-Hose
2	106-5748	1	Engine Baffle ASM	21	94-9650	1	Elbow-90 DEG
3	105-0378	1	Seal-Strip, 6.5 Inch	22	289-42	1	Nipple
4	106-5749	1	Seal-Strip, 16 Inch	23	99-6175-03	1	Engine Mounting Plate ASM
5	32144-36	2	Screw-PPH	24	3296-39	4	Nut-Lock, NI
6	105-0377	1	Seal-Strip, 3 Inch	25	32128-21	4	Nut-HF Lock
7	3290-378	2	Tie-Cable	26	353-508	1	Plug-HH
8	108-4680	2	Control ASM	26:1	237-42	1	O-Ring
9	108-4679	2	Cable-Throttle/Choke	27	3231-28	4	Screw-CARR
10	233-42	2	Knob	28	321-5	4	Screw-HH
11	3290-134	4	Screw	29	3253-3	4	Washer-Lock
12	3256-51	4	Washer-Flat	30	3256-78	4	Washer-Flat
13	3296-2	4	Nut-Lock, NI	31	98-2762	1	Shield-Heat, Muffler
14	32144-70	1	Screw-HWHTF	32	105-0249	1	Muffler
15	100-1299-03	1	Guide-Cable	33	2112-11	1	Clamp-Muffler
16	2412-98	2	Clamp-Hose	34	98-2761	1	Manifold-Crossover
17	105-0376	1	Hose-Fuel	35	323-50	1	Bolt-HH

● Not serviced separately

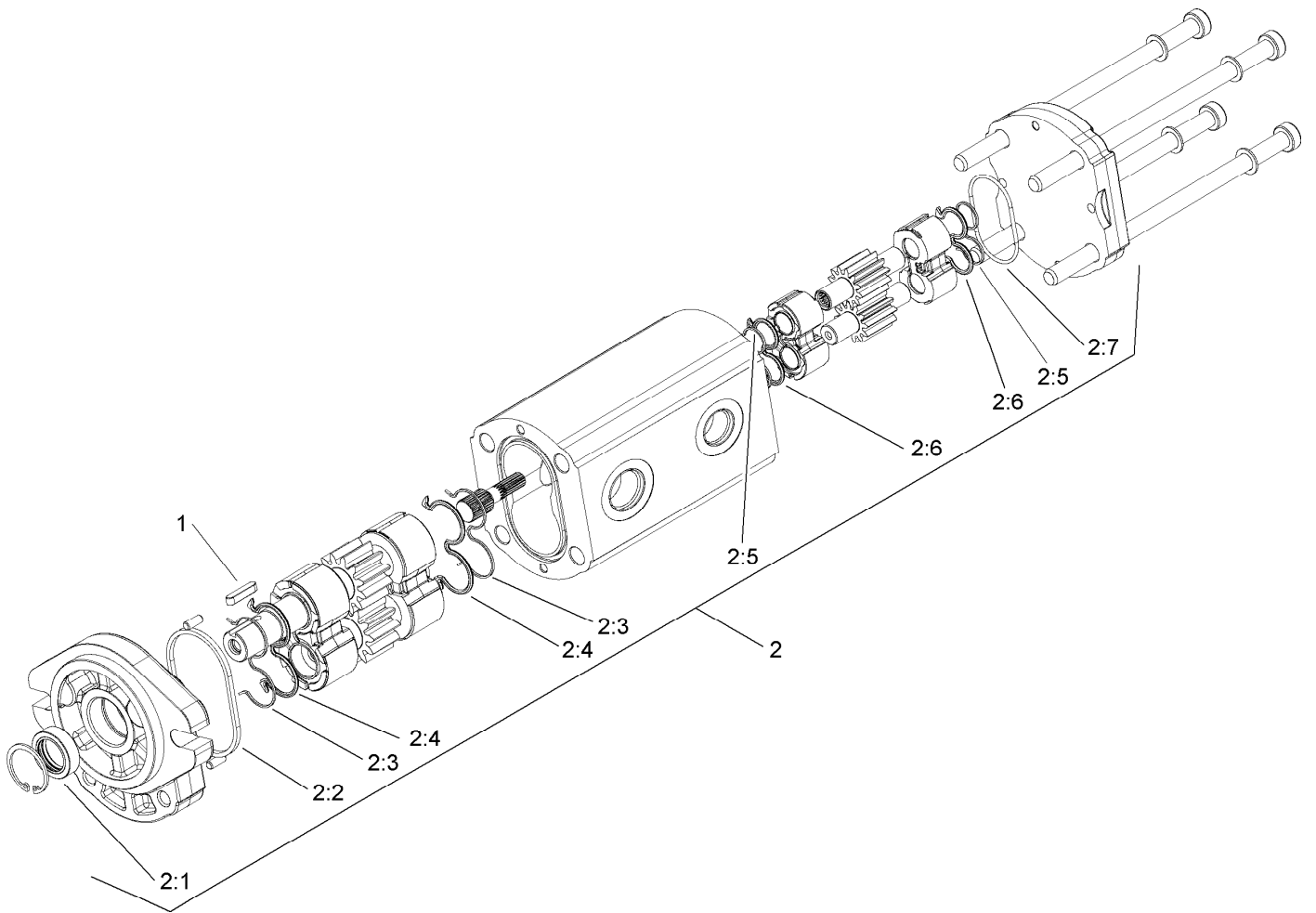
■ Obtain parts from www.kohlerplus.com



Hydraulic Pump and Filter Assembly

Ref.	Part Number	Qty.	Description	Ref.	Part Number	Qty.	Description
1	321-39	4	Screw-HH	19	98-2751-03	1	Mount-Pump
2	104-9960	1	Shield-Heat	20	3253-6	4	Washer-Lock
3	32144-112	1	Screw-HWH	21	324-7	4	Screw-HH
4	106-9361	1	Shield-Heat	22	340-7	1	Fitting-Straight
5	340-127	1	Nut-Bulkhead	22:1	237-65	1	O-Ring
6	340-74	2	Nut-Lock, Bulkhead	22:2	237-80	1	O-Ring
7	106-9333	1	HYD Tube ASM	23	340-98	1	Fitting-Elbow, 90 DEG
7:1	237-65	1	O-Ring	23:1	237-79	1	O-Ring
8	98-2783	1	HYD Tube ASM	23:2	237-30	1	O-Ring
8:1	237-65	1	O-Ring	24	106-7650	1	HYD Pump ASM
9	106-9393	1	HYD Tube ASM	25	66-9300	2	Screw-HHF
9:1	237-30	1	O-Ring	26	105-0201	2	Hose-Suction, Formed
10	3296-29	4	Nut-Lock, NI	27	2412-34	4	Clamp-Hose
11	10-7070	1	Key-Square	28	105-0204	2	Strainer Fitting ASM
12	3241-6	4	Screw-SQH	28:1	237-146	1	O-Ring
13	27-1960	1	Hub-Engine	29	61-2710	1	Stem-Hose, 90 DEG
14	3256-23	4	Washer-Plain	29:1	237-117	1	O-Ring
15	44-2230	2	Coupling-Rubber	30	100-4202	1	Fitting-90
16	71-4411	4	Spacer	30:1	237-81	1	O-Ring
17	322-7	4	Screw-HH	31	3296-16	4	Nut-Lock, NI
18	49-9600	1	Hub-Pump				

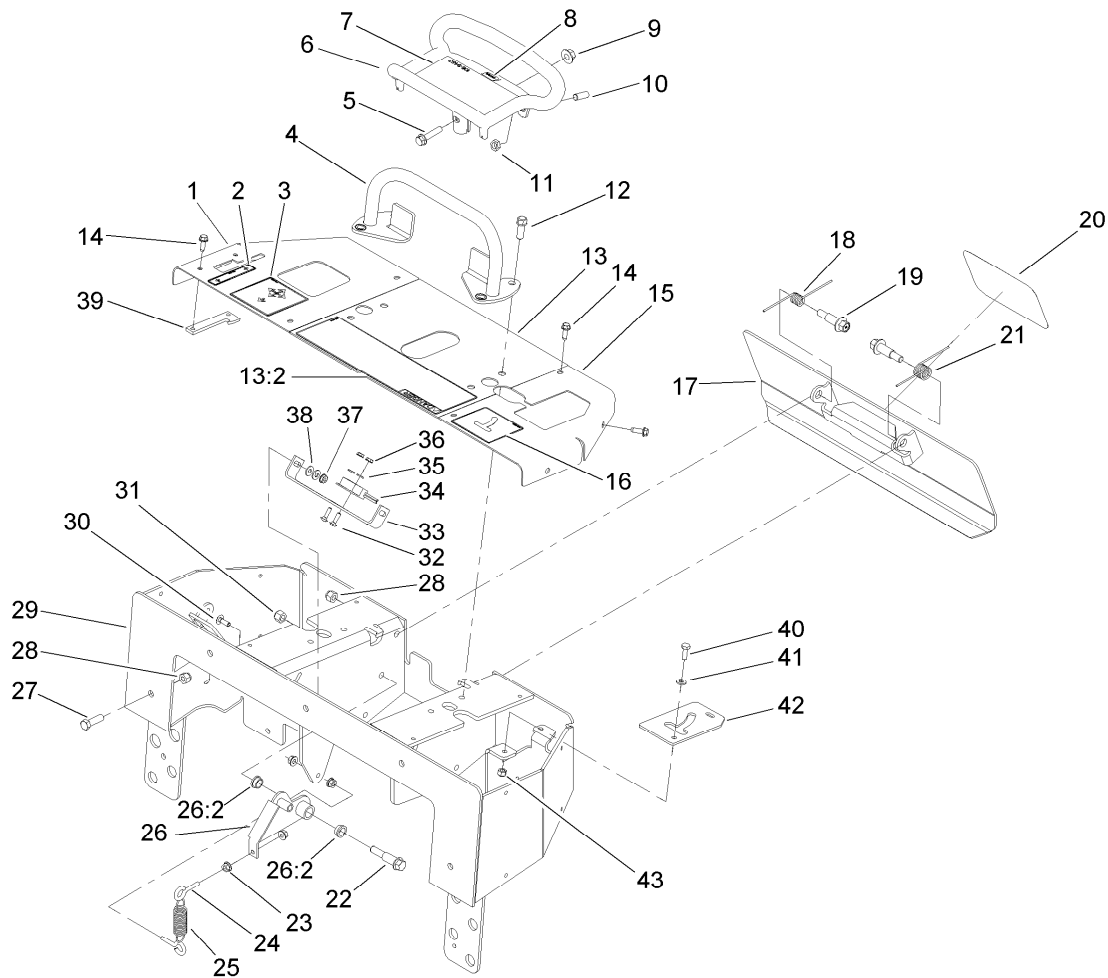
● Not serviced separately



Hydraulic Gear Pump Assembly No. 106-7650

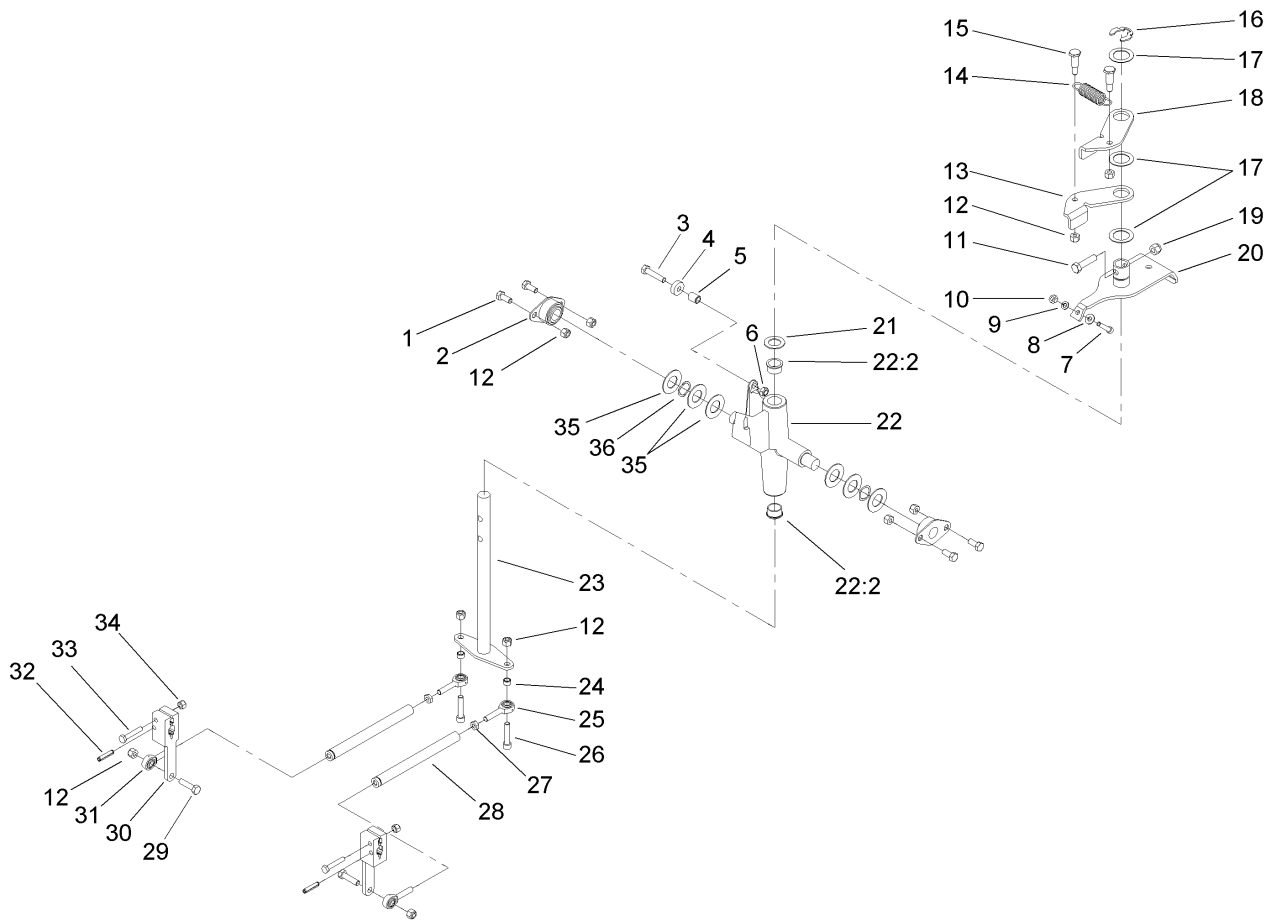
<i>Ref.</i>	<i>Part Number</i>	<i>Qty.</i>	<i>Description</i>
1	100-4238	1	Key-Square
2	107-9316	1	Seal Kit
2:1		1	Seal-Shaft ●
2:2		1	Seal-Square ●
2:3		2	Ring-Backup ●
2:4		2	Seal-Gear ●
2:5		2	Ring-Backup ●
2:6		2	Seal-Gear, Rear ●
2:7		1	Seal-Dust ●

● Not serviced separately



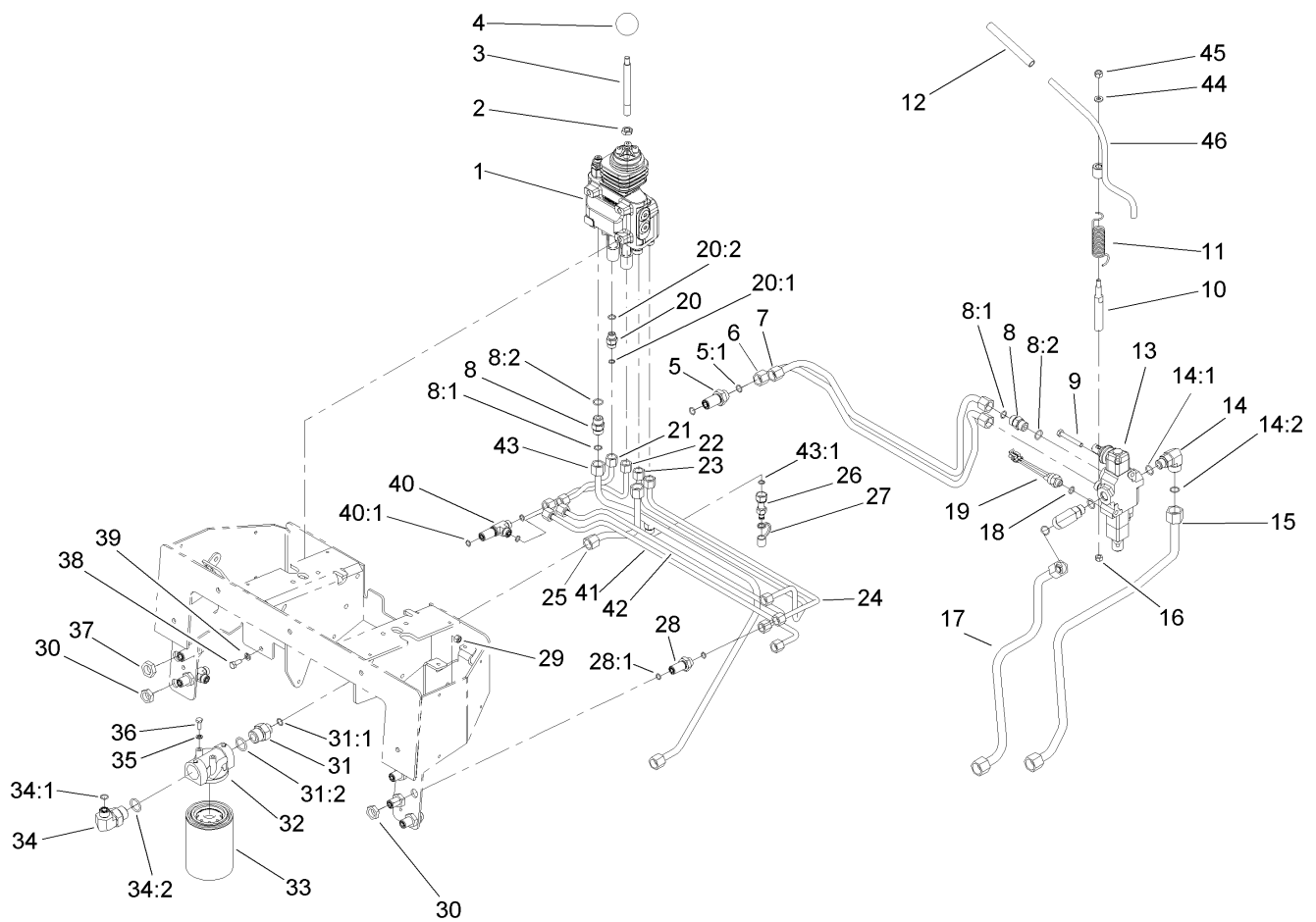
Control Panel Assembly

<i>Ref.</i>	<i>Part Number</i>	<i>Qty.</i>	<i>Description</i>	<i>Ref.</i>	<i>Part Number</i>	<i>Qty.</i>	<i>Description</i>
1	106-9375-01	1	Panel-RH	23	32128-32	4	Nut-HHF
2	108-4671	1	Decal-Brake	24	71-2870	2	Bolt-Eye
3	108-4670	1	Decal-Loader	25	105-1210	1	Spring-Extension
4	106-7715	1	Bar-Reference	26	100-4203	1	Neutral Centering Lever ASM
5	3234-18	1	Screw-HHF	26:2	256-156	2	Bushing-Flange
6	106-7614-03	1	Handle-Control	27	323-7	5	Screw-HH
7	106-9453	1	Decal-Traction	28	3296-39	7	Nut-Lock, NI
8	98-1459	1	Decal	29	106-9368-01	1	Control Panel ASM
9	32128-43	1	Nut-Flange	30	3229-1	2	Screw-CARR
10	3247-6	2	Screw-Set	31	3296-6	1	Nut-Lock
11	3218-3	2	Nut-Jam	32	3229-20	2	Screw-CARR
12	95-1726	4	Screw-Taptite	33	100-1263	1	Plate-Switch
13	108-4673	1	Center Panel ASM	34	100-1270	1	Switch-Proximity
13:2	108-4674	1	Decal-Danger	35	3256-51	2	Washer-Flat
14	32144-44	10	Screw-HWH, Thread Roll	36	32149-7	2	Nut-Keps
15	108-4656-01	1	Panel-LH	37	32149-2	2	Nut-Keps
16	108-4686	1	Decal-Auxiliary	38	3256-22	4	Washer-Flat
17	98-8417-03	1	Reverse Plate ASM	39	108-4682-01	1	Plate-Locking, Brake
18	98-8425	1	Spring-Torsion, LH	40	321-4	2	Screw-HH
19	62-1330	2	Bolt-Shoulder	41	3256-16	2	Washer-Flat
20	105-1217	1	Decal	42	108-4685-01	1	Plate-Stop
21	98-8424	1	Spring-Torsion, RH	43	3296-42	2	Nut-Lock, NI
22	66-0560	1	Bolt-Shoulder				



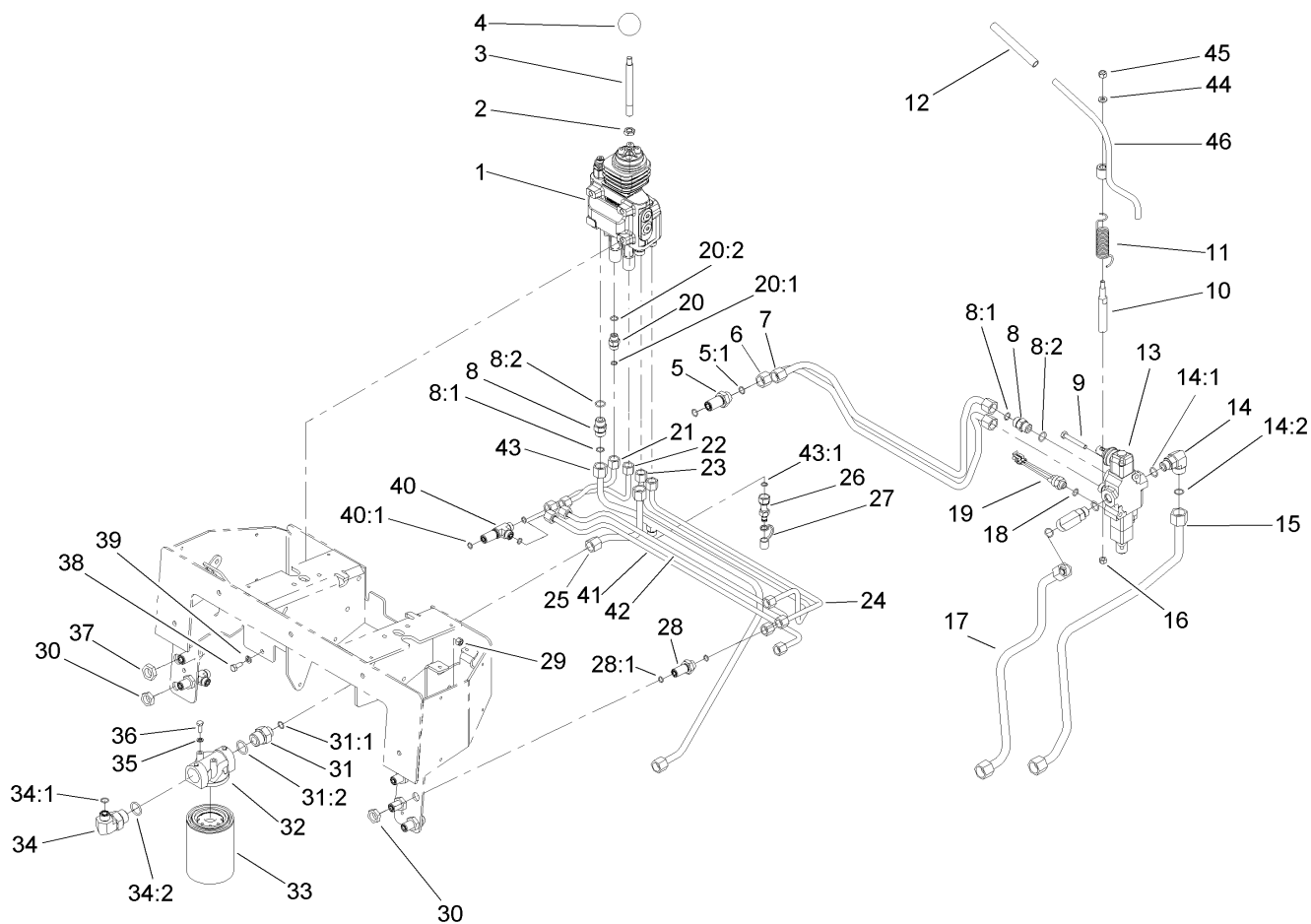
Traction Control Assembly

<i>Ref.</i>	<i>Part Number</i>	<i>Qty.</i>	<i>Description</i>	<i>Ref.</i>	<i>Part Number</i>	<i>Qty.</i>	<i>Description</i>
1	322-3	4	Screw-HH	20	104-9968	1	Pivot Lever ASM
2	68-2970	2	Bushing	21	257-8	1	Washer-Thrust
3	322-7	1	Screw-HH	22	106-5737	1	Control Support ASM
4	251-259	1	Bearing-Ball	22:2	256-252	2	Bearing-Flange
5	88-7450	1	Spacer-Lever, Control	23	106-5745	1	Drive Rod ASM
6	3296-47	1	Nut-Lock,NI	24	92-3133	2	Spacer-Lever, Traction
7	3274-51	1	Screw-HSH	25	2411-52	2	Bearing-Rod End, RH
8	3256-22	1	Washer-Flat	26	3274-83	2	Screw-HSH
9	3253-3	1	Washer-Lock	27	3220-2	2	Nut-Jam
10	3217-5	1	Nut-Hex	28	95-3711	2	Rod-Linkage
11	323-8	1	Screw-HH	29	322-6	2	Screw-HH
12	3296-29	10	Nut-Lock, NI	30	106-5739	2	Arm-Control, Pump
13	98-8407	1	Lever-Return, RH	31	2411-53	2	Bearing-Rod End, LH
14	105-1210	1	Spring-Extension	32	100-5440	2	Pin-Spring, Slotted
15	63-2650	2	Screw-Shoulder	33	321-9	2	Screw-HH
16	32151-91	1	Ring-Retaining	34	3296-42	2	Nut-Lock, NI
17	3256-42	3	Washer-Flat	35	3256-39	6	Washer-Flat
18	98-8408	1	Lever-Return, LH	36	95-3703	2	Washer-Spring, Wave
19	3296-39	1	Nut-Lock, NI				



Principal Hydraulic Assembly

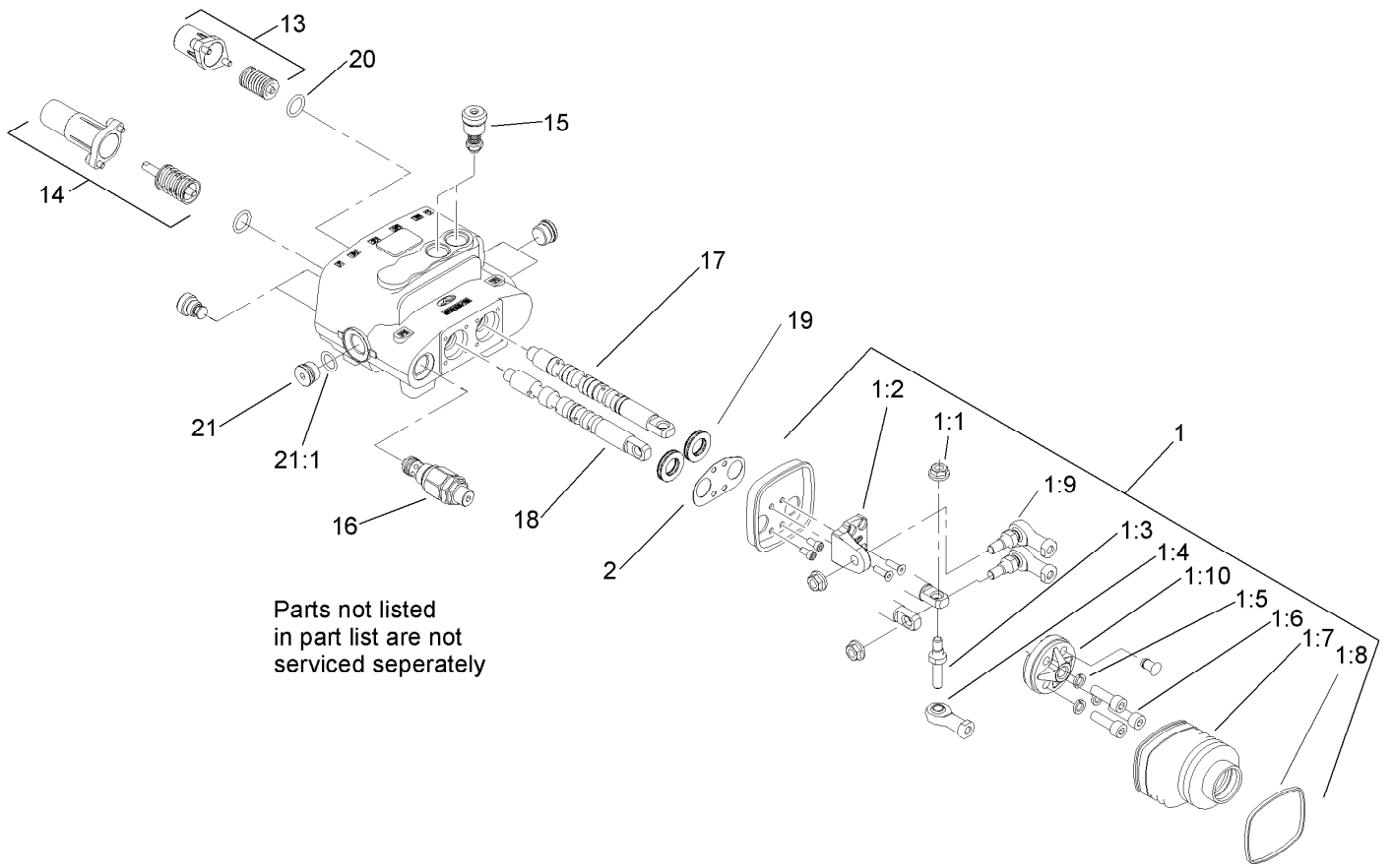
Ref.	Part Number	Qty.	Description	Ref.	Part Number	Qty.	Description
1	106-9307	1	2 Spool Valve ASM	21	106-9315	1	Tube-HYD
2	51-2070	1	Nut	22	106-9313	1	Tube-HYD
3	108-4675	1	Shaft-Handle, Loader	23	106-9312	1	Tube-HYD
4	233-21	1	Knob	24	106-9314	1	Tube-HYD
5	340-161	2	Fitting-Bulkhead	25	106-9385	1	Tube-HYD
5:1	237-30	2	O-Ring	26	86-5480	1	Nipple-Test
6	106-9310	1	Tube-HYD	27	354-79	1	Cap-Dust
7	106-9311	1	Tube-HYD	28	340-71	4	Fitting-Straight, Bulkhead
8	340-4	4	Fitting-Straight	28:1	237-22	2	O-Ring
8:1	237-30	1	O-Ring	29	3296-29	2	Nut-Lock, NI
8:2	237-79	1	O-Ring	30	340-70	6	Nut-Lock
9	322-11	2	Screw-HH	31	100-4240	1	Fitting-STR
10	104-2827	1	Spacer-Hiflo	31:1	237-30	1	O-Ring
11	100-6129	1	Spring-Torsion	31:2	237-81	1	O-Ring
12	92-6798	1	Cap-Rod, Tilt	32	92-5821	1	Head-Filter
13	104-2831	1	1 Spool Valve ASM	33	86-3010	2	Filter-Oil
14	340-153	2	Fitting-Elbow, 90 DEG	34	340-131	1	Fitting-HYD, 90 DEG
14:1	237-79	1	O-Ring	34:1	237-30	1	O-Ring
14:2	237-151	1	O-Ring	34:2	237-81	1	O-Ring
15	106-9309	1	Tube-HYD	35	3253-3	2	Washer-Lock
16	48-7740	1	Screw	36	321-4	2	Screw-HH
17	104-5707	1	Tube-HYD	37	340-127	2	Nut-Bulkhead
18	237-42	1	O-Ring	38	322-3	3	Screw-HH
19	72-4310	1	Switch-Ball	39	3253-4	3	Washer-Lock
20	340-2	4	Fitting-Straight	40	340-68	2	Fitting-Tee, Bulkhead
20:1	237-22	1	O-Ring	40:1	237-22	3	O-Ring
20:2	237-42	1	O-Ring	41	106-9316	1	Tube-HYD
				42	106-9317	1	Tube-HYD



Principal Hydraulic Assembly (continued)

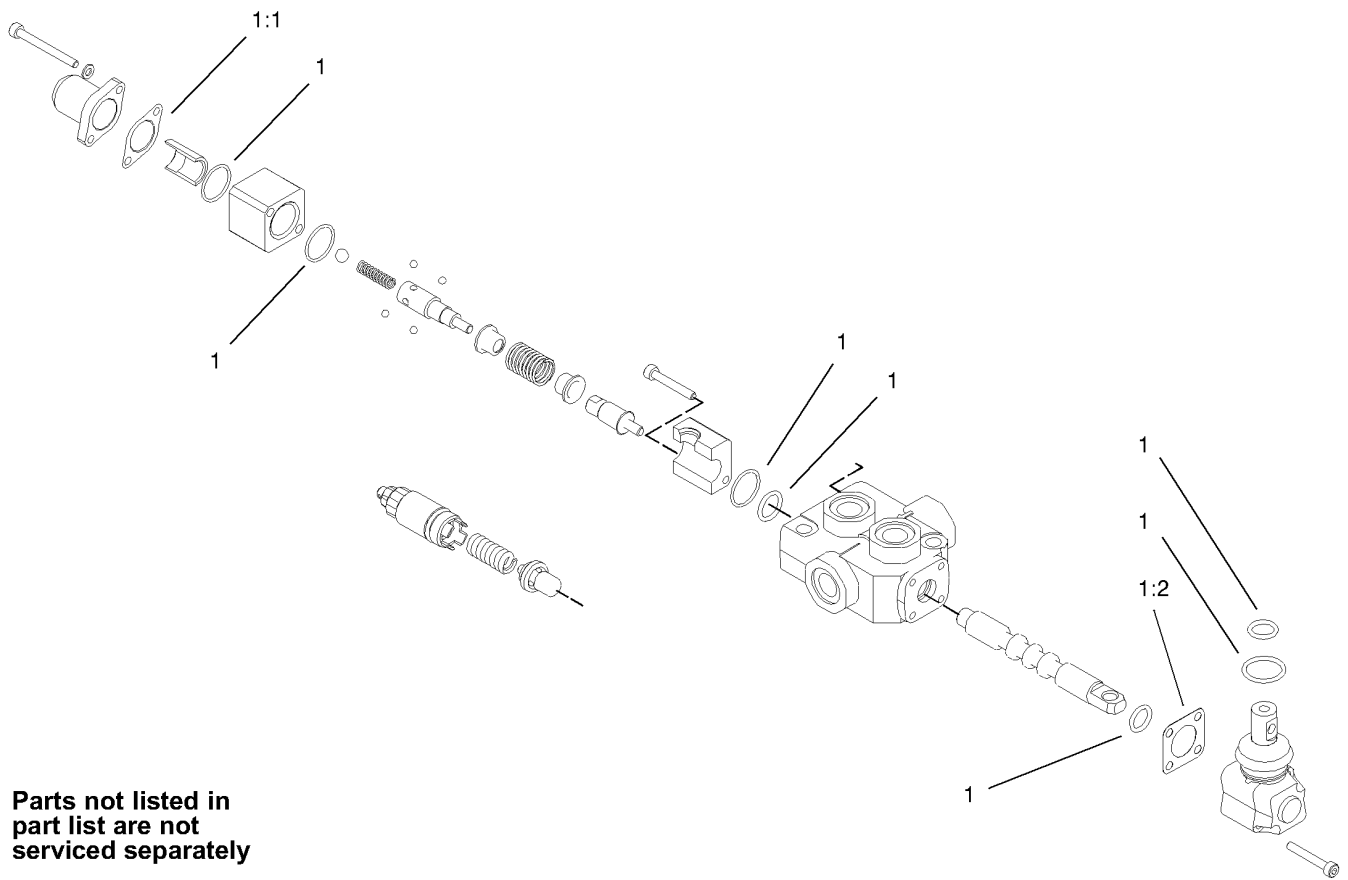
<i>Ref.</i>	<i>Part Number</i>	<i>Qty.</i>	<i>Description</i>
43	106-9387	1	HYD Tube ASM
43:1	237-22	1	O-Ring
44	3256-16	1	Washer-Flat

<i>Ref.</i>	<i>Part Number</i>	<i>Qty.</i>	<i>Description</i>
45	3296-42	1	Nut-Lock, NI
46	100-4246	1	Auxiliary Lever ASM



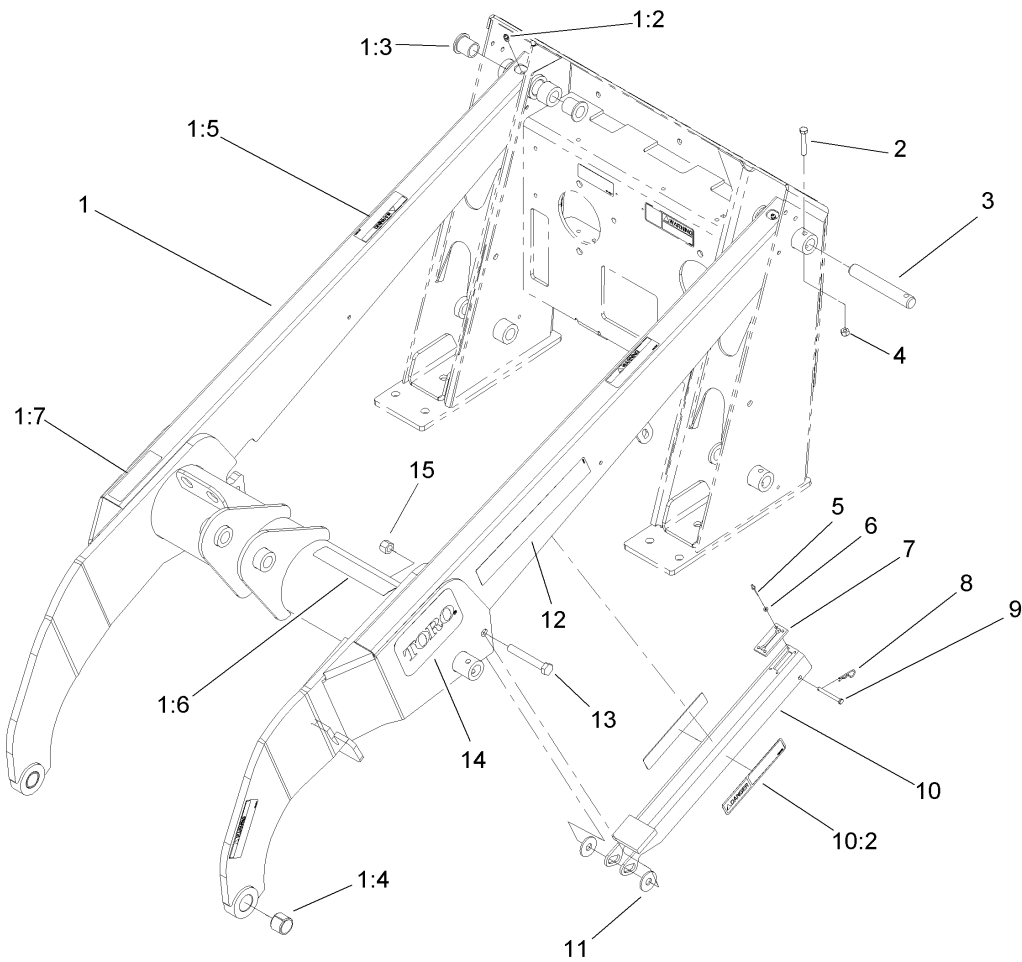
Two Spool Valve Assembly No. 106-9307

<i>Ref.</i>	<i>Part Number</i>	<i>Qty.</i>	<i>Description</i>
1	106-7724	1	Joystick Kit
1:1	98-0668	3	Nut
1:2	106-7726	1	Pivot-Joystick
1:3	106-7727	1	Pin-Joystick
1:4	106-7728	1	End-Rod
1:5	42-9850	3	Washer-Lock, Spring
1:6	98-5828	3	Screw-HSH
1:7	106-7729	1	Bellow-Rubber
1:8	3290-379	1	Tie-Cable
1:9	106-7730	2	Joint-Joystick
1:10	106-7731	1	Holder-Articulated
2	106-7725	1	Seal-Joystick
13	106-7732	1	Valve Spring Kit
14	106-7733	1	Detent Spring Kit
15	106-7734	2	Valve-Relief
16	106-7735	1	Valve-Relief, Main
17	106-7736	1	Spool-Valve
18	106-7737	1	Spool-Valve
19	106-7738	2	Seal-Valve, Spool
20	106-7719	2	Seal-Valve
21	353-988	3	Plug-Hex
21:1	237-79	1	O-Ring



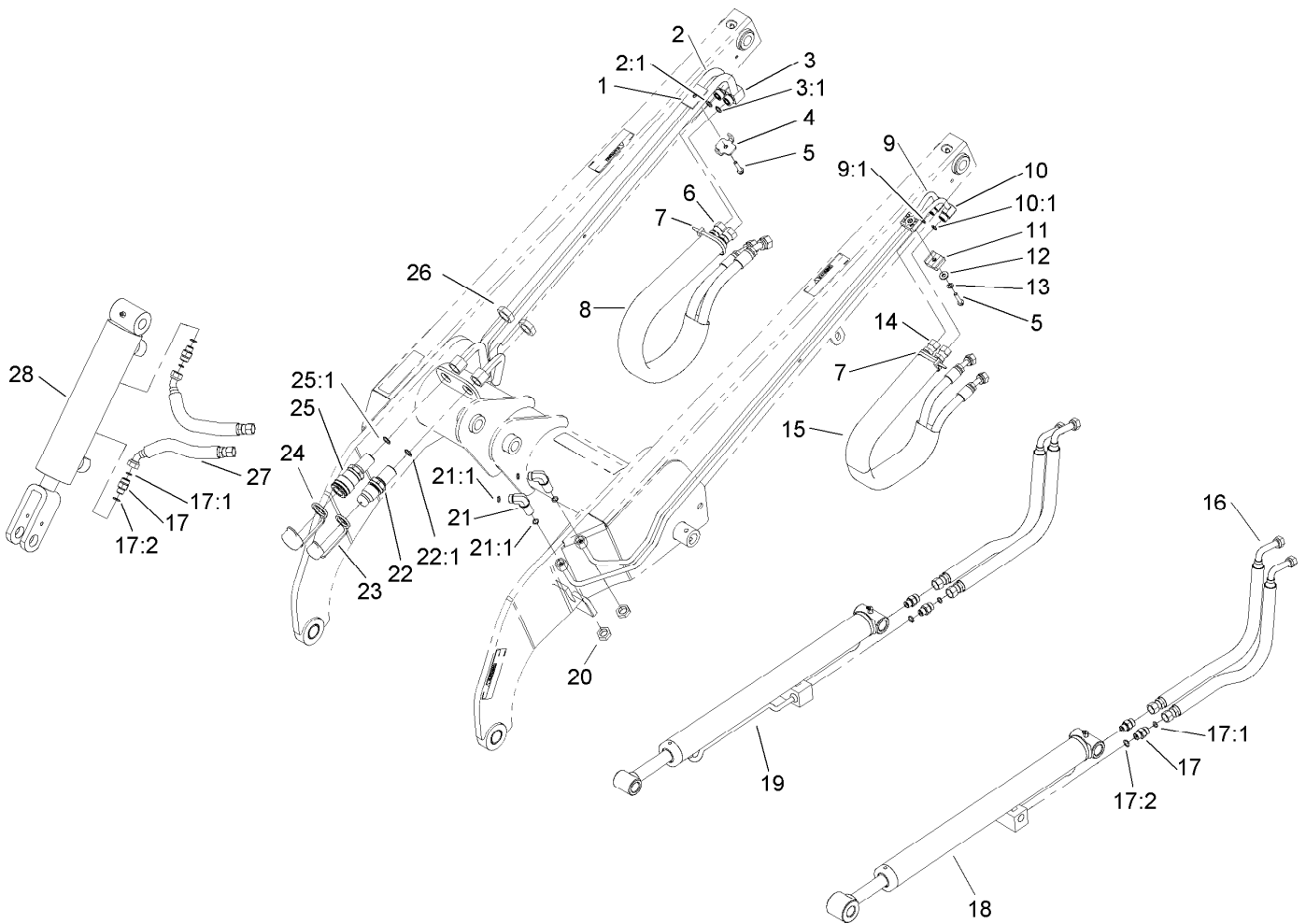
One Spool Valve Assembly No. 104-2831

<i>Ref.</i>	<i>Part Number</i>	<i>Qty.</i>	<i>Description</i>
1	99-4391	1	Seal Kit
1:1	99-3074	1	Gasket
1:2	99-3075	3	Gasket



Loader Arm Assembly

Ref.	Part Number	Qty.	Description
1	106-9350	1	Loader Arm ASM
1:2	302-5	2	Fitting-Grease
1:3	95-3577	4	Bushing
1:4	98-4871	2	Bushing-Tension
1:5	100-6141	4	Decal-Pinch
1:6	100-6132	1	Decal-Caution
1:7	100-6101	1	Decal-Caution
2	322-10	7	Screw-HH
3	104-2849	7	Pin-Locking
4	3296-29	7	Nut-Lock, NI
5	3269-8	4	Rivet-Blind
6	104-5112	4	Washer-Flat
7	98-0083	1	Stop-Rubber
8	3290-250	1	Pin-Cotter
9	283-48	1	Pin-Clevis
10	100-6105	1	Locking Arm ASM
10:2	100-6135	2	Decal-Danger
11	68-1440	2	Washer-Rubber
12	105-8430	2	Decal
13	325-14	1	Screw-HH
14	105-1217	2	Decal
15	3296-23	1	Nut-Lock, NI

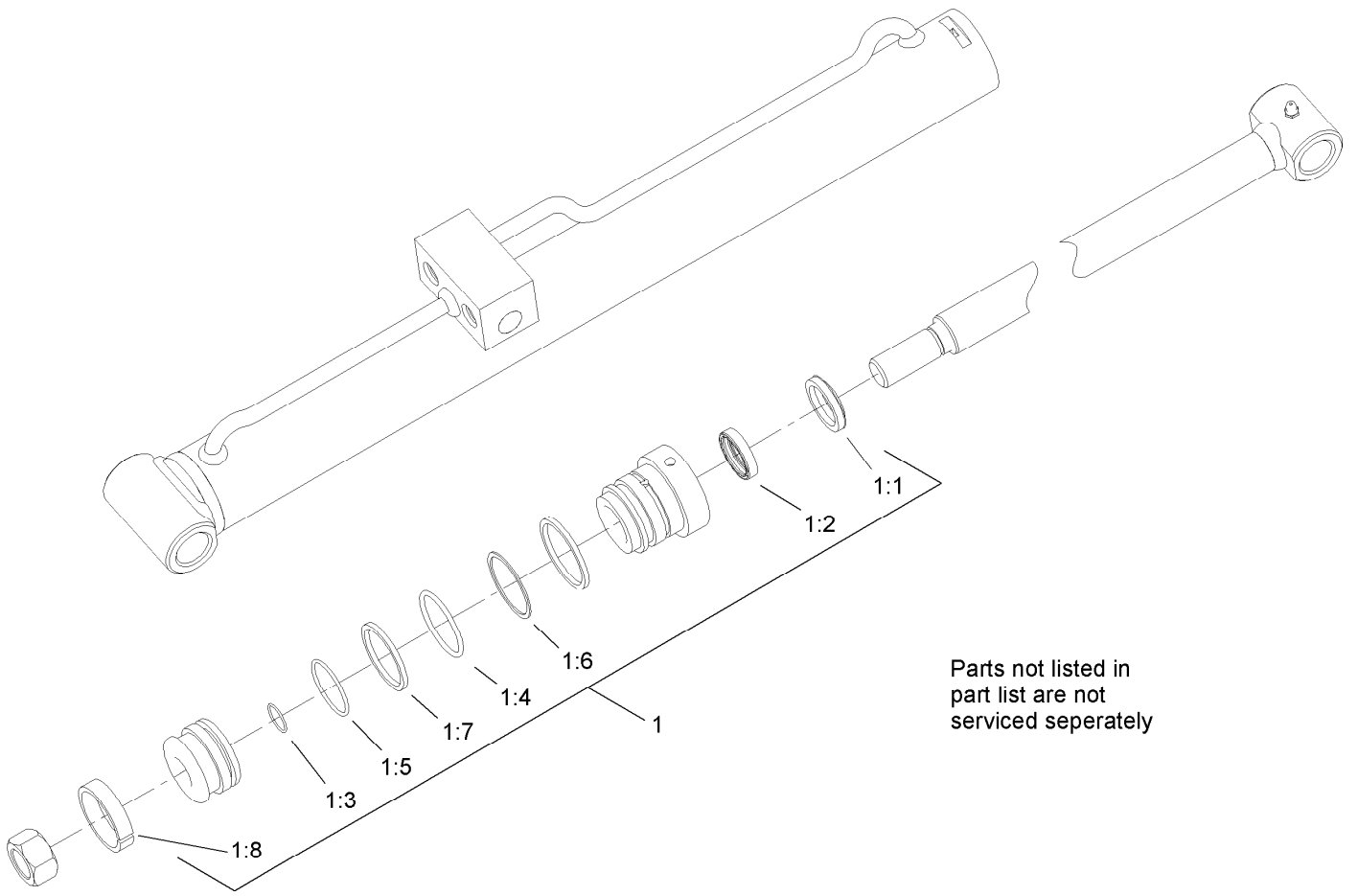


Loader Arm Hydraulic Assembly

Ref.	Part Number	Qty.	Description	Ref.	Part Number	Qty.	Description
1	106-9366	1	Spacer-Hardline	17	340-2	6	Fitting-Straight
2	106-9362	1	HYD Tube ASM	17:1	237-22	1	O-Ring
2:1	237-30	1	O-Ring	17:2	237-42	1	O-Ring
3	106-9363	1	HYD Tube ASM	18	104-6267	1	LH Lift Cylinder ASM
3:1	237-30	1	O-Ring	19	104-6269	1	RH Lift Cylinder ASM
4	98-0237	1	Plate-Clamp, Tube	20	340-70	2	Nut-Lock
5	32144-110	2	Screw-HWH	21	340-154	2	Union-Bulkhead
6	98-0242	2	Hose-HYD	21:1	237-22	2	O-Ring
7	3290-378	2	Tie-Cable	22	105-8395	1	Bulkhead Nipple ASM
8	100-6128	1	Sleeve-Protective	22:1	237-65	1	O-Ring
9	106-9364	1	HYD Tube ASM	22:2	100-6120	1	Seal Kit ●
9:1	237-22	1	O-Ring	23	100-8815	1	Cap-Dust, Nipple
10	106-9365	1	HYD Tube ASM	24	100-8816	1	Cap-Dust, Coupler
10:1	237-22	1	O-Ring	25	105-8394	1	Bulkhead Coupler ASM
11	56-7973	2	Clamp-Tube	25:1	237-65	1	O-Ring
12	3256-2	1	Washer-Flat	25:2	105-8396	1	Seal Kit ●
13	3253-3	1	Washer-Lock	26	340-74	2	Nut-Lock, Bulkhead
14	98-0213	2	Hose-HYD	27	98-0207	2	Hose-HYD
15	100-6127	1	Sleeve-Protective	28	105-8370	1	Tilt Cylinder ASM
16	98-0216	4	Hose-HYD				

● Not illustrated

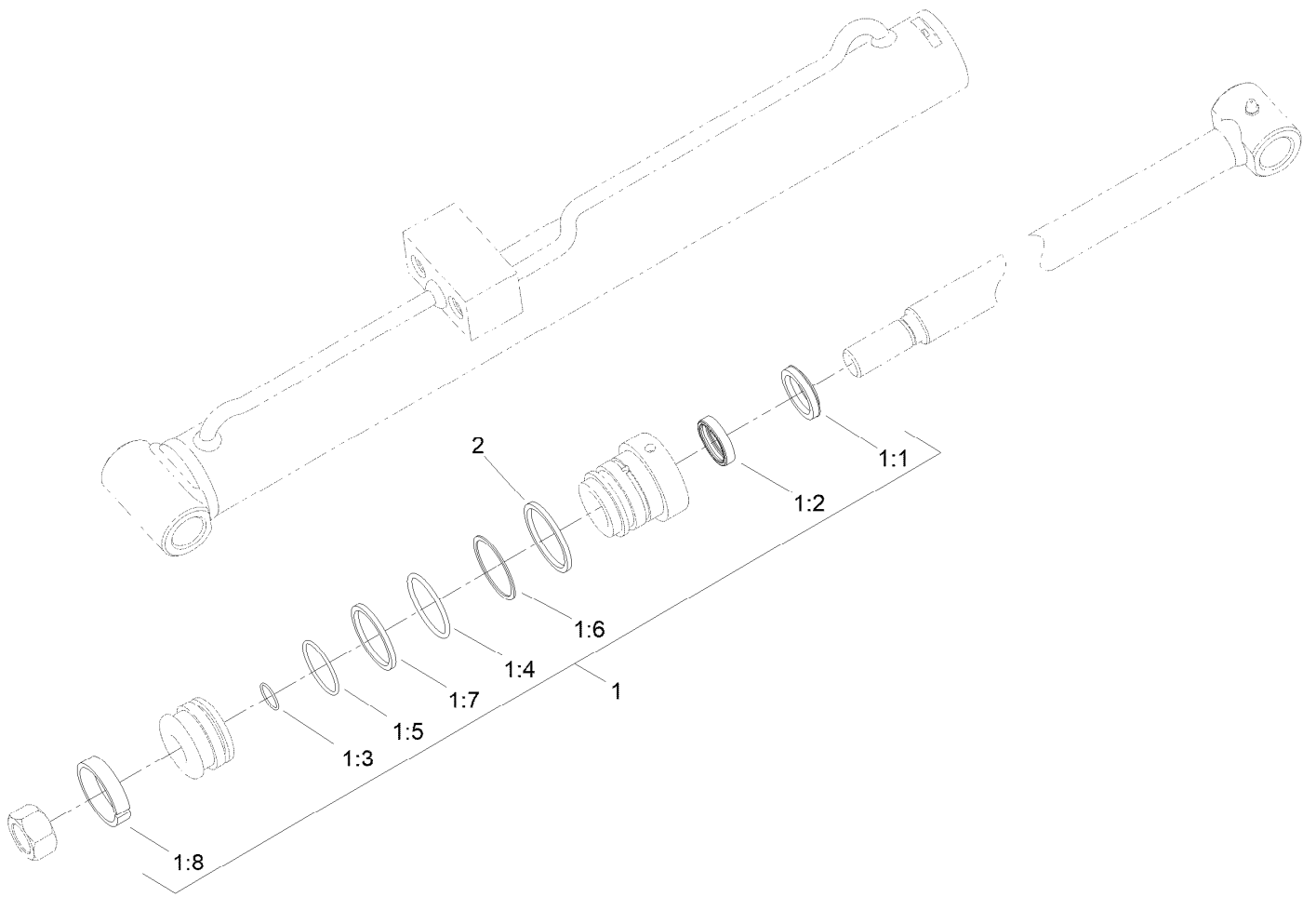
■ Not serviced separately



Left Hand Hydraulic Lift Cylinder Assembly No. 104-6267

<i>Ref.</i>	<i>Part Number</i>	<i>Qty.</i>	<i>Description</i>
1	104-6268	1	Seal Kit
1:1		1	Wiper ●
1:2		1	Seal ASM ●
1:3		1	Seal-Dust ●
1:4		1	Seal-Dust ●
1:5		1	Seal-Dust ●
1:6		1	Back-Up ●
1:7		1	Seal ASM ●
1:8		1	Ring-Wear ●

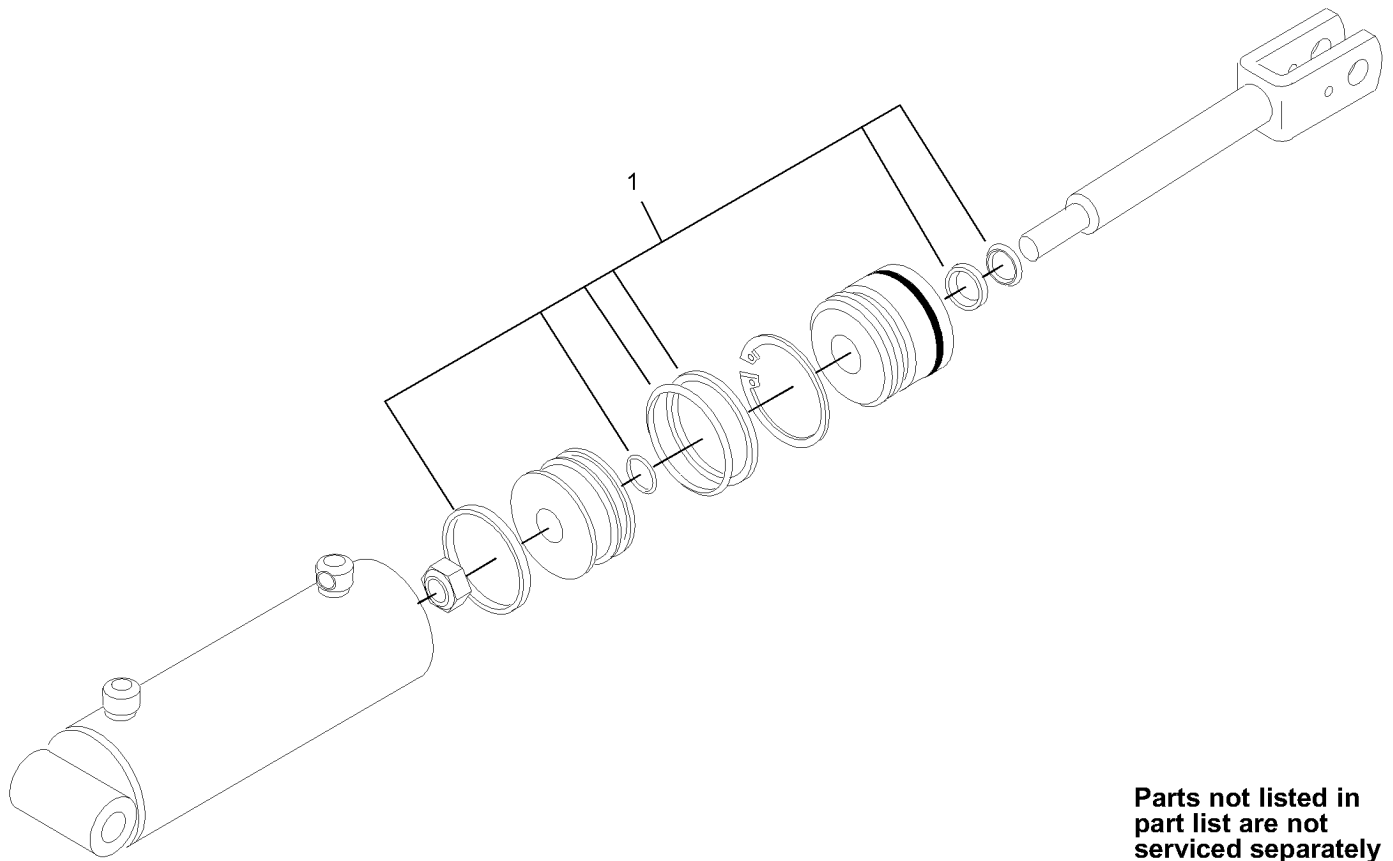
● Not serviced separately



Right Hand Hydraulic Lift Cylinder Assembly No. 104-6269

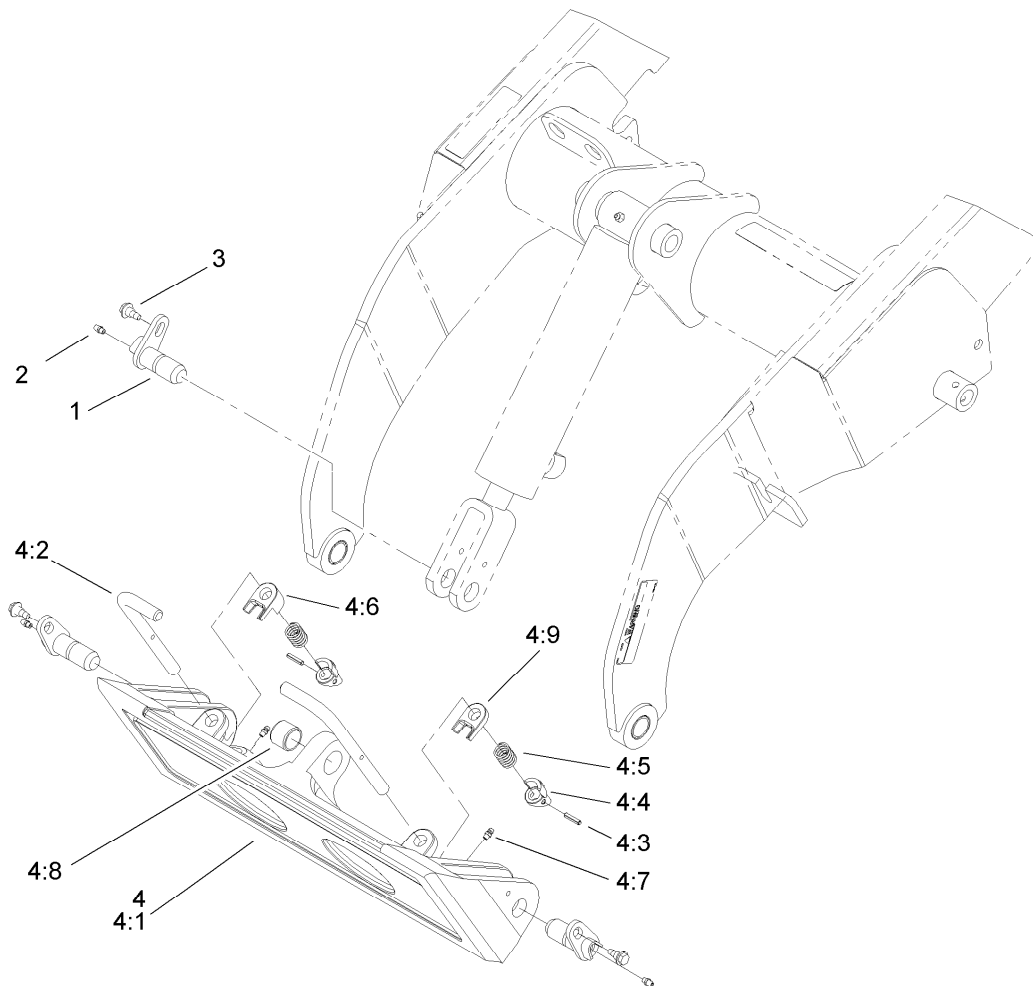
<i>Ref.</i>	<i>Part Number</i>	<i>Qty.</i>	<i>Description</i>
1	104-6268	1	Seal Kit
1:1		1	Wiper ●
1:2		1	Seal ASM ●
1:3		1	Seal-Dust ●
1:4		1	Seal-Dust ●
1:5		1	Seal-Dust ●
1:6		1	Back-Up ●
1:7		1	Seal ASM ●
1:8		1	Ring-Wear ●
2	161-7281	1	Ring - Retaining

● Not serviced separately



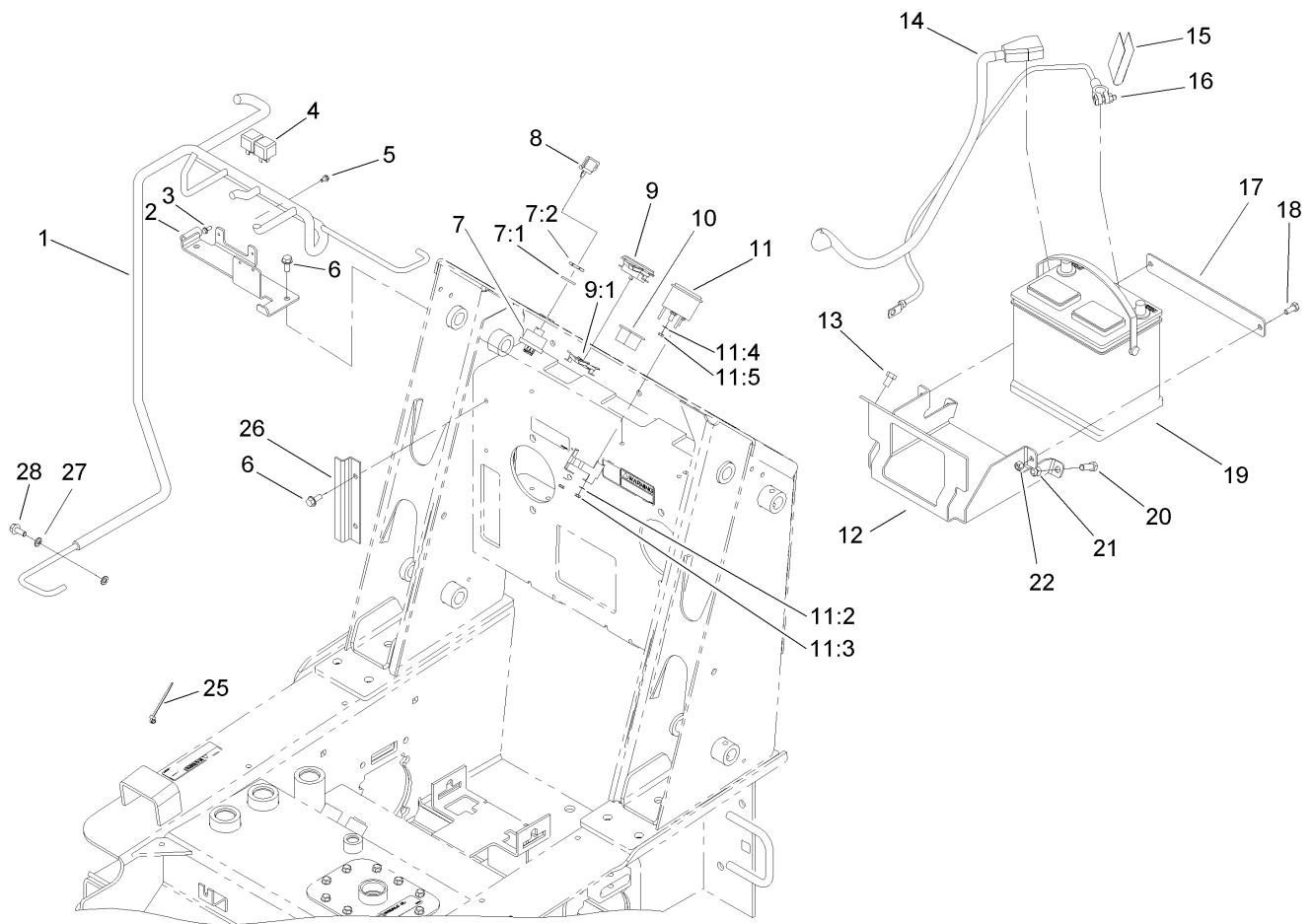
Hydraulic Cylinder Assembly No. 105-8370

<i>Ref.</i>	<i>Part Number</i>	<i>Qty.</i>	<i>Description</i>
1	106-7567	1	Seal Kit



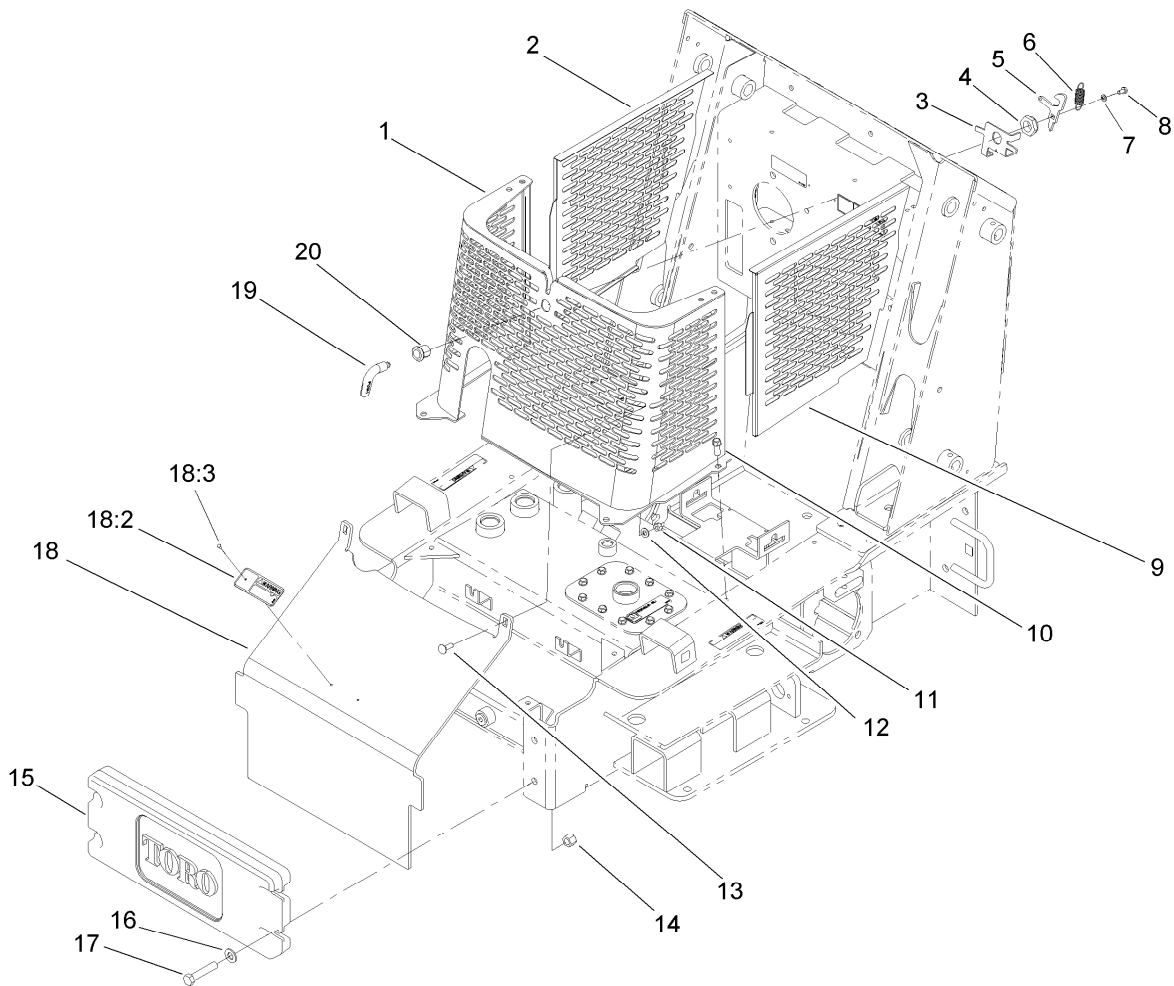
Quick Attach Assembly

<i>Ref.</i>	<i>Part Number</i>	<i>Qty.</i>	<i>Description</i>
1	99-1414	3	Pin-Pivot
2	302-5	3	Fitting-Grease
3	99-5105	3	Screw-Shoulder
4	105-8364	1	Quick Attach ASM
4:1	105-0245-03	1	Mount-Attach, Quick
4:2	105-8367	2	Pin-Locking
4:3	3285-1	2	Pin-Grooved
4:4	105-0246	2	Cam
4:5	98-4694	2	Spring-Compression
4:6	104-5909	1	Stop-RH
4:7	302-5	2	Fitting-Grease
4:8	98-4871	1	Bushing-Tension
4:9	104-5903	1	Stop-LH



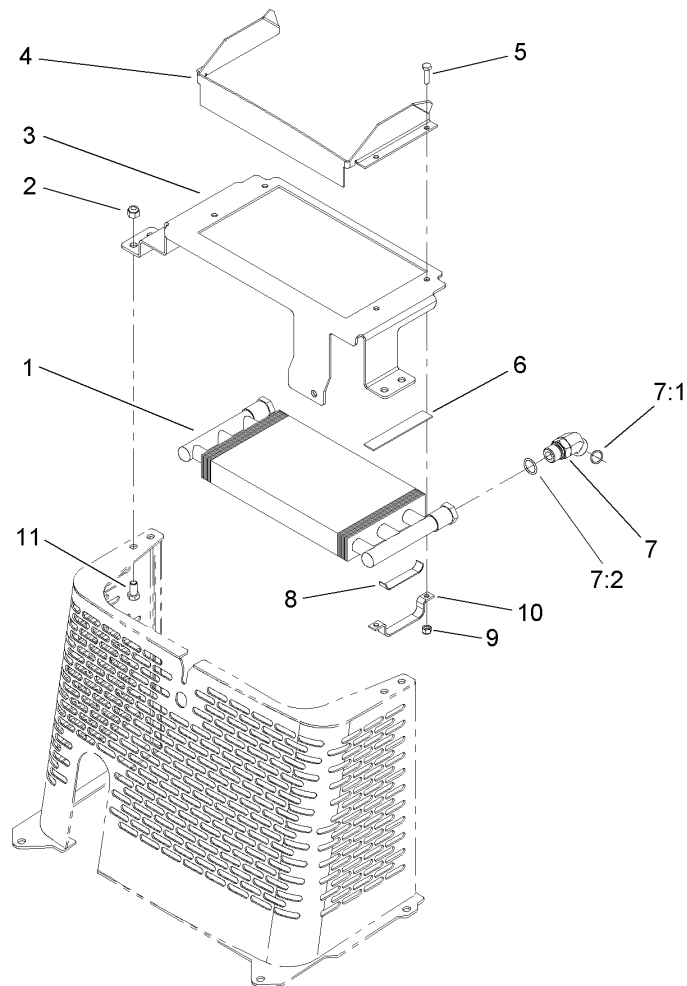
Electrical System Assembly

<i>Ref.</i>	<i>Part Number</i>	<i>Qty.</i>	<i>Description</i>	<i>Ref.</i>	<i>Part Number</i>	<i>Qty.</i>	<i>Description</i>
1	106-5744	1	Harness-Wire	11:5	3217-16	3	Nut-Hex
2	106-2558-03	1	Fuse/Relay Bracket ASM	12	106-9390-01	1	Tray-Mounting, Battery
3	32144-112	2	Screw-HWH	13	32144-69	2	Screw-HWHTF
4	98-7249	2	Relay	14	106-5707	1	Cable-Battery, Positive
5	104-2065	2	Screw-HWH	15	107-9309	1	Decal-Instructions, Charging
6	32144-70	4	Screw-HWHTF	16	106-5708	1	Cable-Battery, Negative
7	88-9830	1	Key Switch ASM	17	105-0371-01	1	Clamp-Battery
7:1	3254-5	1	Washer-Lock	18	322-3	2	Screw-HH
7:2	218-461	1	Nut-HH	19	104-9979	1	Battery
8	63-8360	3	Key-Ignition	20	323-6	2	Screw-HH
9	104-7427	1	Inductive Hourmeter ASM	21	3296-39	2	Nut-Lock, NI
9:1	104-4234	1	Clip-Mounting	22	3296-29	2	Nut-Lock, NI
10	99-7420	1	Plug-Hole	25	3290-381	3	Tie-Cable
11	66-2940	1	Gauge-Fuel	26	100-6117-01	1	Shield-Wiring
11:2	3254-1	2	Washer-Lock, Int	27	3255-8	2	Washer-Lock
11:3	3217-27	2	Nut-Hex	28	33104-020	1	Screw-HHF
11:4	3255-24	3	Washer-Lock / EXT				



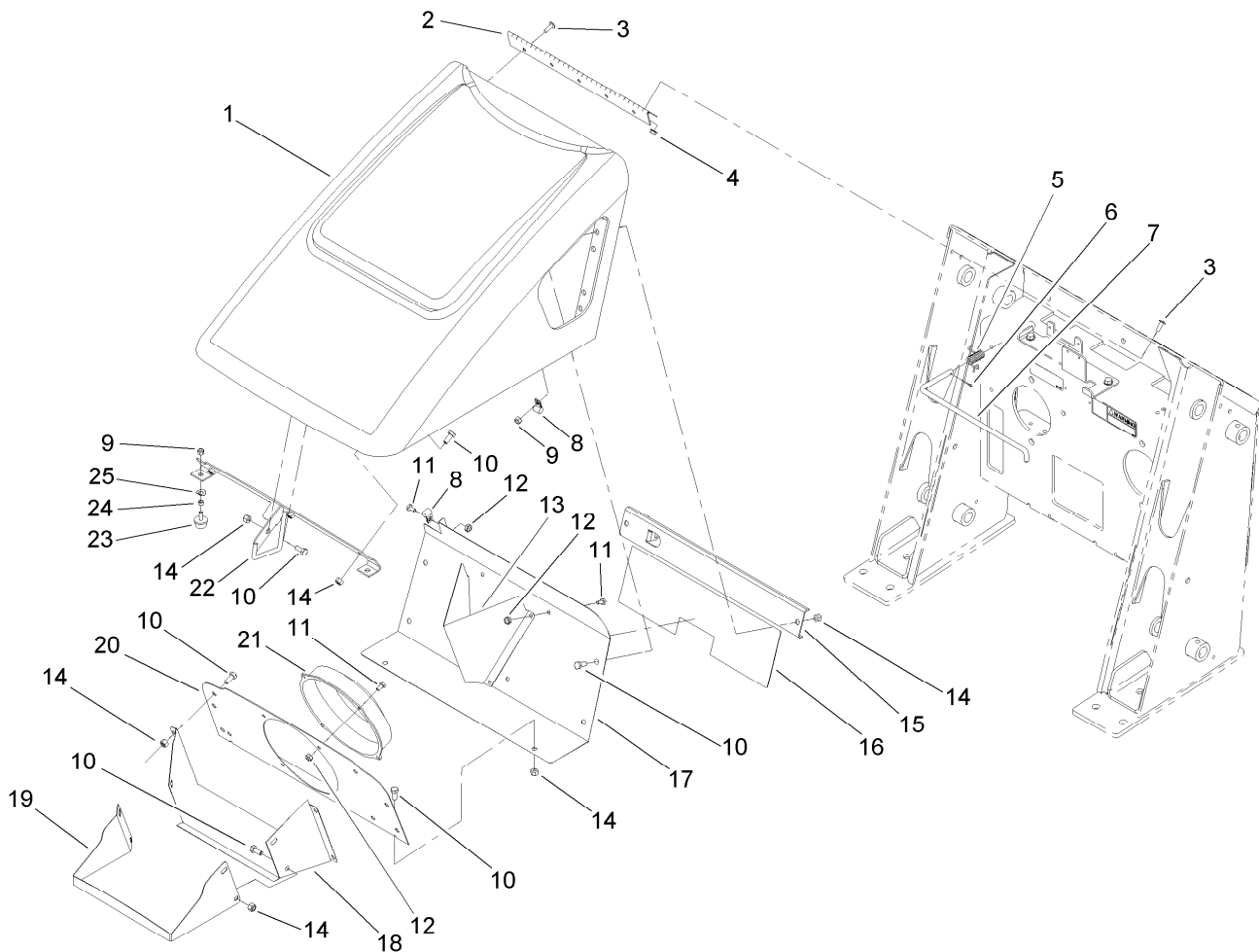
Grill Assembly

Ref.	Part Number	Qty.	Description
1	106-5721-03	1	Grill ASM
2	106-5727-03	1	Panel-Side, RH
3	106-5729-03	1	Bracket-Latch
4	3296-60	1	Nut-Lock, NI
5	106-5728	1	Cam-Latch
6	104-0869	1	Spring
7	3253-3	1	Washer-Lock
8	321-2	1	Screw-HH
9	106-5726-03	1	Panel-Side, LH
10	95-1726	4	Screw-Taptite
11	3296-29	2	Nut-Lock, NI
12	3256-23	2	Washer-Plain
13	3230-28	2	Screw-CARR
14	3296-23	4	Nut-Lock, NI
15	99-6166-01	1	Counterweight-Front
16	3256-26	4	Washer-Flat
17	325-10	4	Screw-HH
18	105-0395	1	Heat Shield ASM
18:2	80-8290	1	Plate-Surface, Hot
18:3	3269-31	2	Rivet-Pop
19	108-5639	1	Handle-Latch
20	106-9335	1	Housing-Latch



Hydraulic Oil Cooler Assembly

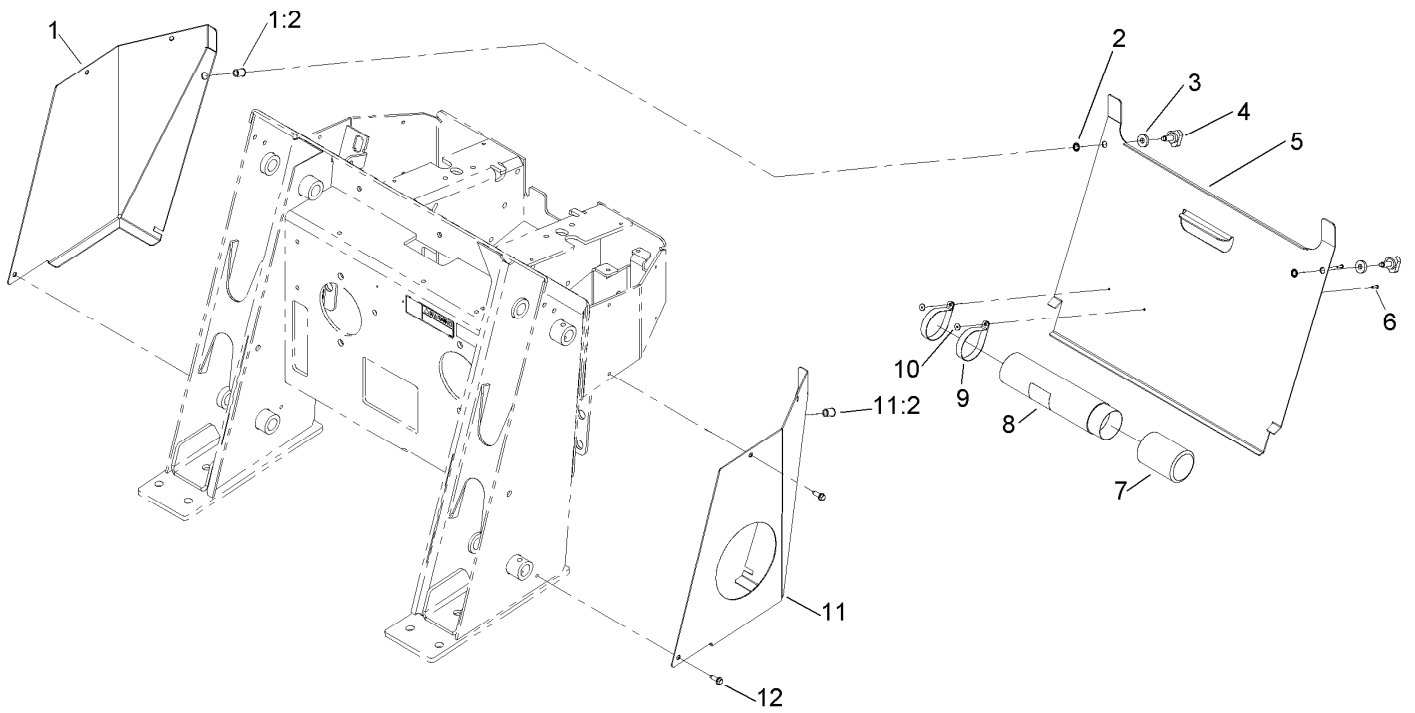
<i>Ref.</i>	<i>Part Number</i>	<i>Qty.</i>	<i>Description</i>
1	105-0352	1	Exchanger-Heat
2	3296-39	4	Nut-Lock, NI
3	108-4681-03	1	Bracket-Mounting, Cooler
4	104-2802-03	1	Shield-Cooler
5	321-6	4	Screw-HH
6	94-9566	2	Pad-Footrest
7	340-14	2	Fitting-HYD, 45 DEG
7:1	237-65	1	O-Ring
7:2	237-80	1	O-Ring
8	104-2816	2	Pad-Support
9	3296-42	4	Nut-Lock, NI
10	104-2803	2	Support-Cooler
11	323-4	4	Screw-HH



Hood Assembly

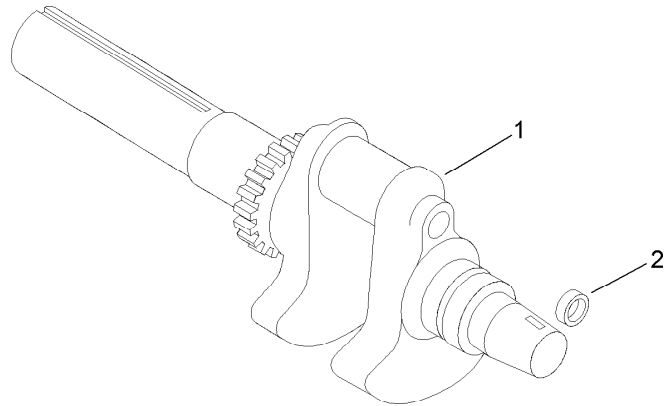
<i>Ref.</i>	<i>Part Number</i>	<i>Qty.</i>	<i>Description</i>
1	106-2590	1	Engine Hood ASM
2	100-1284	1	Hinge-Hood
3	9114604	9	Screw-Head, Truss
4	32128-33	4	Nut-HF
5	106-2584	1	Spring-Torsion
6	3272-6	1	Pin-Cotter
7	106-2554	1	Rod-Support, Hood
8	2412-91	2	Clamp
9	3296-42	7	Nut-Lock, NI
10	322-3	22	Screw-HH
11	321-2	9	Screw-HH
12	3296-16	9	Nut-Lock, NI
13	104-2811-03	1	Baffle-Fan

<i>Ref.</i>	<i>Part Number</i>	<i>Qty.</i>	<i>Description</i>
14	3296-29	22	Nut-Lock, NI
15	106-2555-03	1	Bracket-Support, Hood
16	108-5599	1	Decal-Service
17	106-2596-03	1	Bracket-Fan, Back
18	106-2597-03	1	Shroud-Fan
19	104-2813-03	1	Shroud-Fan, Front
20	106-2595-03	1	Bracket-Baffle, Fan
21	104-2809	1	Fan
22	106-5717-03	1	Rod Latch ASM
23	1-523420	2	Bumper
24	106-9308	2	Spacer
25	3290-301	2	Washer-Spring



Rear Access Cover Assembly

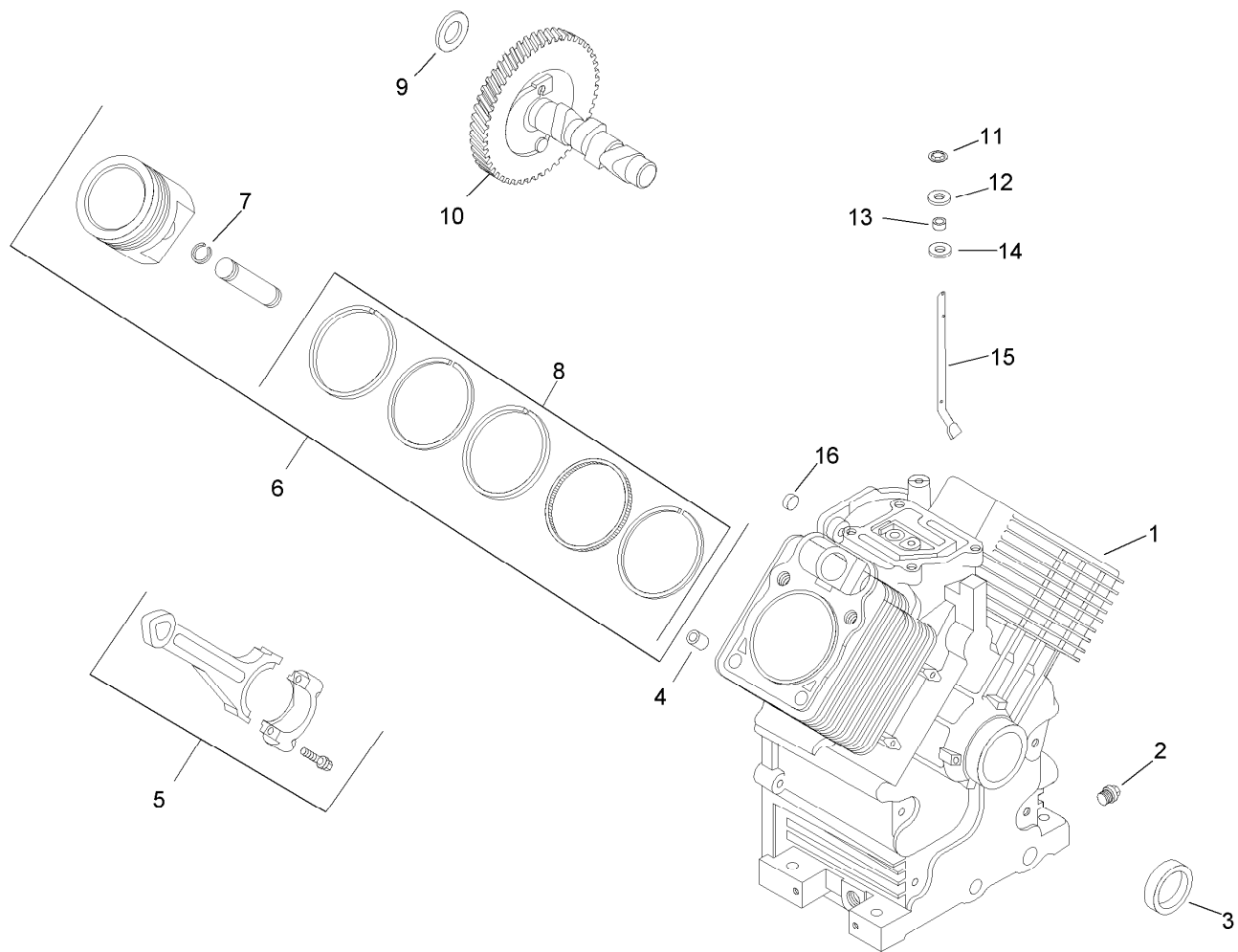
<i>Ref.</i>	<i>Part Number</i>	<i>Qty.</i>	<i>Description</i>
1	106-9342	1	RH Rear Cover Support ASM
1:2	32148-9	1	Nut-Clinch
2	32151-72	2	Ring-Retaining
3	106-0565	2	Washer-Rubber
4	95-9648	2	Knob
5	106-9339-01	1	Cover-Access, Rear
6	3269-17	2	Rivet-Pop
7	104-7048	1	Cap-Housing
8	104-7050	1	Tube-Manual
9	2412-120	2	Clamp-R
10	3269-10	2	Washer-Back
11	106-9343	1	LH Rear Cover Support ASM
11:2	32148-9	1	Nut-Clinch
12	32144-44	6	Screw-HWH, Thread Roll



Crankshaft Assembly Kohler CH20S 64725

<i>Ref.</i>	<i>Part Number</i>	<i>Qty.</i>	<i>Description</i>
1	24 014 90-S	1	Crankshaft (Includes 2) ●
2	52 139 09-S	1	Plug-Cup ●

● Obtain parts from www.kohlerplus.com

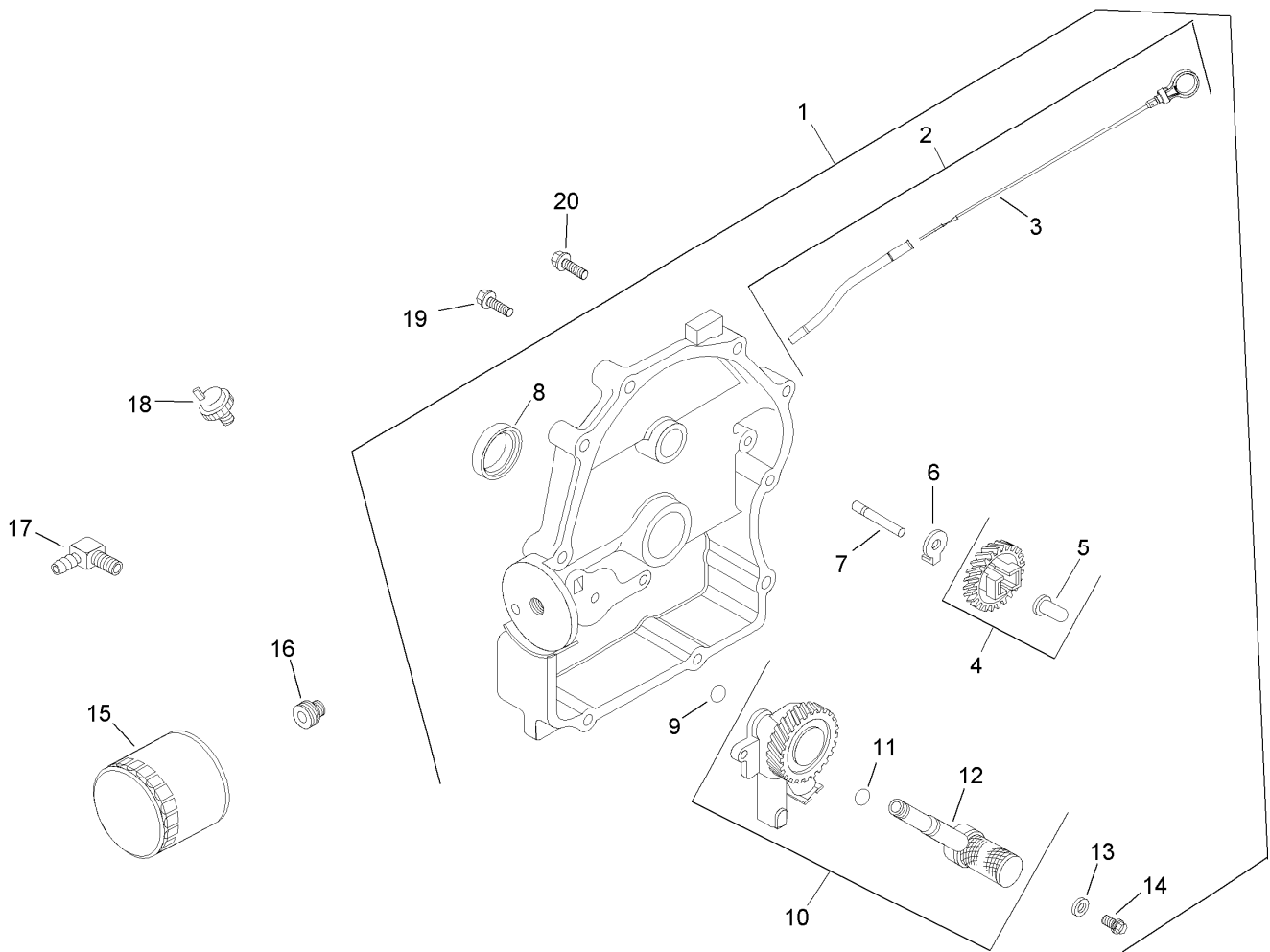


Crankcase Assembly Kohler CH20S 64725

Ref.	Part Number	Qty.	Description	Ref.	Part Number	Qty.	Description
1		1	Crankcase (Use: Miniblock 24 782 15) ■●	9	12 422 07-S	1	Shim-Camshaft (White .028) ■
2	52 139 02-S	2	Plug-Pipe Head, 3/8 ■	9	12 422 08-S	1	Shim-Camshaft (Blue .03) ■
3	24 032 01-S	1	Seal-Oil ■	9	12 422 10-S	1	Shim-Camshaft (Yellow .034) ■
4	24 380 13-S	6	Pin-Locating ■	9	12 422 11-S	1	Shim-Camshaft (Green .036) ■
5	24 067 13-S	2	Rod-Connecting (Standard) ■	9	12 422 12-S	1	Shim-Camshaft (Gray .038) ■
5	24 067 14-S	2	Rod-Connecting (.25) ■	10	24 012 10-S	1	Camshaft Kit ■
6	24 874 17-S	2	Piston ASM (Std) (Includes 7, 8) ■	11	24 018 09-S	1	Retainer-Ring ■
6	24 874 14-S	2	Piston ASM (.08) ■	12	M-931010-S	1	Washer-Flat (9MM) ■
6	24 874 18-S	2	Piston ASM (.25) ■	13	28 032 09-S	1	Seal-Cross Shaft, Governor ■
6	24 874 19-S	2	Piston ASM (.50) ■	14	24 468 15-S	1	Washer-Flat (11/32) ■
7	24 018 01-S	4	Retainer-Pin, Piston ■	15	24 144 38-S	1	Shaft-Cross, Governor ■
8	24 108 11-S	2	Ring Set (STD And .08) ■	16	52 139 09-S	1	Plug-Cup ■
8	24 108 12-S	2	Ring Set (.25) ■				
8	24 108 13-S	2	Ring Set (.50) ■				
9	12 422 09-S	1	Shim-Camshaft (Red .032) ■				
9	12 422 13-S	1	Shim-Camshaft (Black .04) ■				

● Not serviced separately

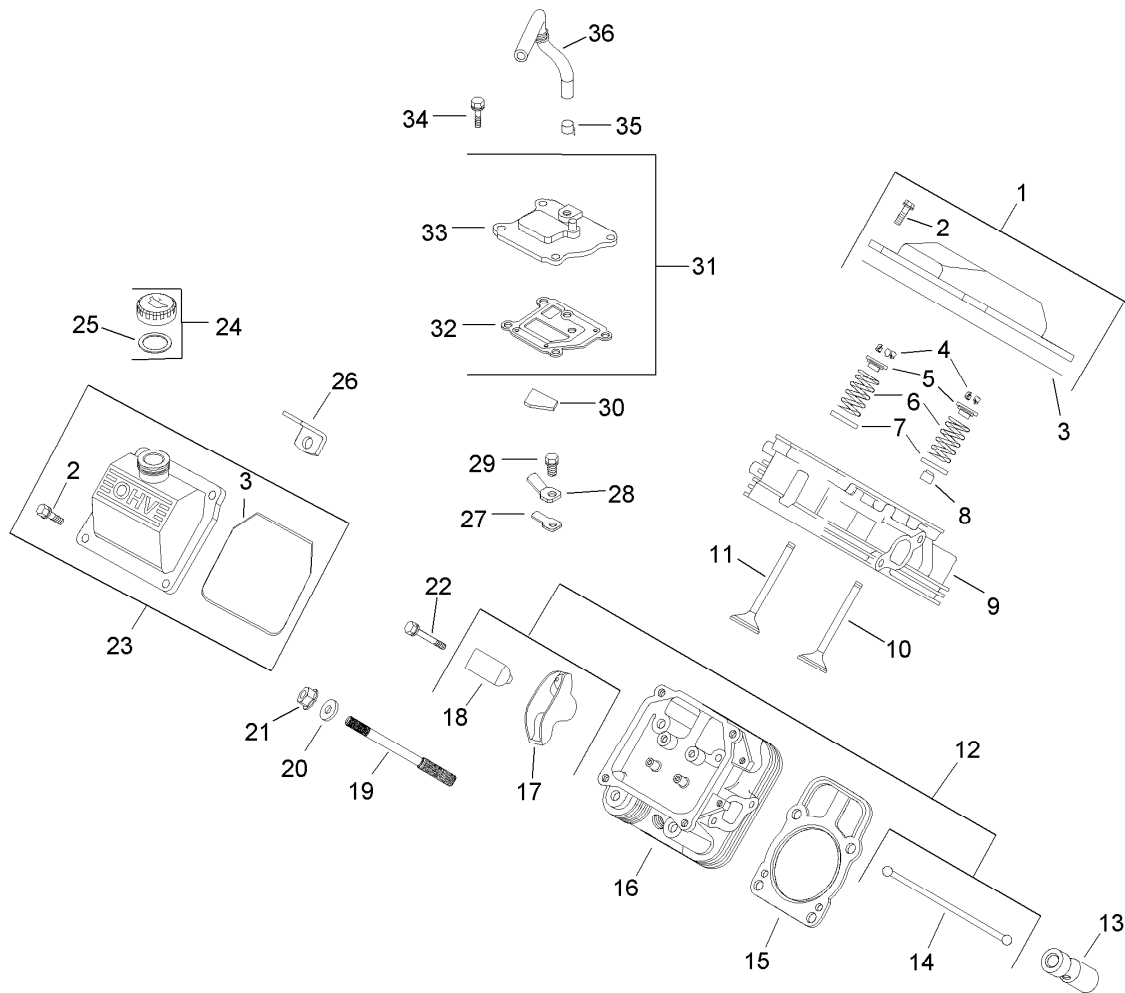
■ Obtain parts from www.kohlerplus.com



Oil Pan and Lubrication Assembly Kohler CH20S 64725

Ref.	Part Number	Qty.	Description
1	24 009 92-S	1	Closure Plate ASM (Includes 2-13) ●
2	24 755 121-S	1	Dipstick Tube ASM (Includes 3) ●
3	24 038 10-S	1	Dipstick ●
4	24 043 12-S	1	Governor Gear Kit (Includes 5) ●
5	12 380 01-S	1	Pin-Regulating, Governor ●
6	24 448 02-S	1	Tab-Locking ●
7	12 144 02-S	1	Shaft-Gear, Governor ●
8	52 032 08-S	1	Seal-Oil (P-T-O End) ●
9	24 153 08-S	1	O-Ring ●
10	24 393 37-S	1	Oil Pump ASM (Includes 11, 12) ●
11	24 153 01-S	1	O-Ring ●
12	24 381 04-S	1	Tube-Pick Up, Oil ●
13	M-631005-S	2	Washer-Flat (6 MM) ●
14	M-645025-S	2	Screw-Flange, Thread Forming (M6X1.0X25) ●
15	52 050 02-S	1	Filter-Oil ●
16	24 136 01-S	1	Nipple-Filter, Oil ●
17	25 155 02-S	1	Connector-Hose, 90 Deg ●
18	24 099 03-S	1	Switch-Pressure, Oil ●
19	24 086 16-S	9	Screw-HF (M8X1.25X45) ●
20	24 086 17-S	1	Screw-Flange (M8X1.25X45) ●

● Obtain parts from www.kohlerplus.com

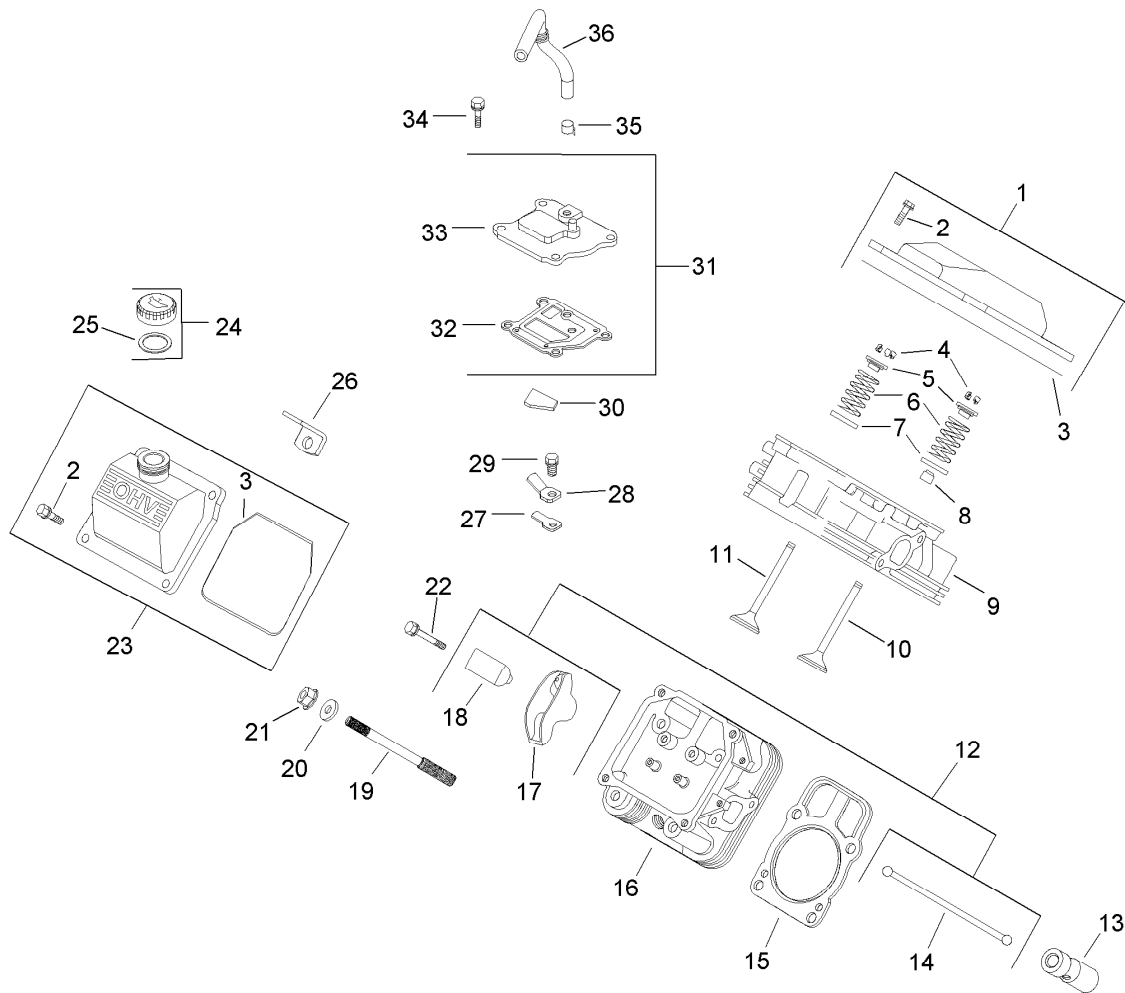


Head, Valve and Breather Assembly Kohler CH20S 64725

Ref.	Part Number	Qty.	Description	Ref.	Part Number	Qty.	Description
1	24 755 141-S	1	Plain Valve Cover ASM (Includes 2, 3) ■	18	24 599 01-S	4	Pivot-Arm, Rocker ■
2	M-651030-S	4	Screw-Flange (M6X1.0X30) ■	19	24 072 09-S	8	Stud (M8X1.25Xm10X1.5X105MM) ■
3	24 153 28-S	1	O-Ring ■	20	24 468 16-S	8	Washer-Flat (8.6 MM) ■
4	12 755 03-S	4	Retainer Kit ■	21	24 100 10-S	8	Nut-Flange (M8X1.25) ■
5	12 173 01-S	4	Cap-Spring, Valve ■	22	66 086 07-S	4	Screw ■
6	24 089 02-S	4	Spring-Valve ■	23	24 755 140-S	1	Oil Fill Valve Cover Kit (Includes 2, 3) ■
7	235011-S	4	Retainer-Spring ■	24	24 755 46-S	1	Oil Fill Cap Kit (Includes 25) ■
8	24 032 05-S	2	Seal-Stem, Valve ■	25	25 153 02-S	1	O-Ring ■
9	24 318 68-S	1	No. 1 Cylinder Head ASM ■	26	24 445 01-S	1	Strap-Lifting ■
10	24 017 01-S	2	Valve-Intake (STD) ■	27	24 402 03-S	1	Reed-Breather ■
10	24 017 02-S	2	Valve-Intake (.25) ■	28	66 018 04-S	1	Retainer-Reed ■
11	24 016 01-S	2	Valve-Exhaust (STD) ■	29	M-545010-S	1	Screw-HHFTF (M5X.80X10) ■
11	24 016 02-S	2	Valve-Exhaust (.25) ■	30	24 050 01-S	1	Filter-Breather ■
12	24 755 66-S	1	Valve Train Kit (Includes 14, 17, 18) ■	31	24 033 01-S	1	Breather Kit (Includes 32, 33) ■
13	25 351 01-S	4	Lifter-Valve ■	32	24 041 51-S	1	Gasket-Breather ■
14	24 411 05-S	4	Rod-Push ■	33	24 096 86-S	1	Cover-Breather ■
15	24 841 01-S	2	Cylinder Head Gasket Kit (Includes 20, 21) ■				
16	24 318 71-S	1	No. 2 Cylinder Head ASM ■				
17	25 186 01-S	4	Arm-Rocker ■				

● Not illustrated

■ Obtain parts from www.kohlerplus.com

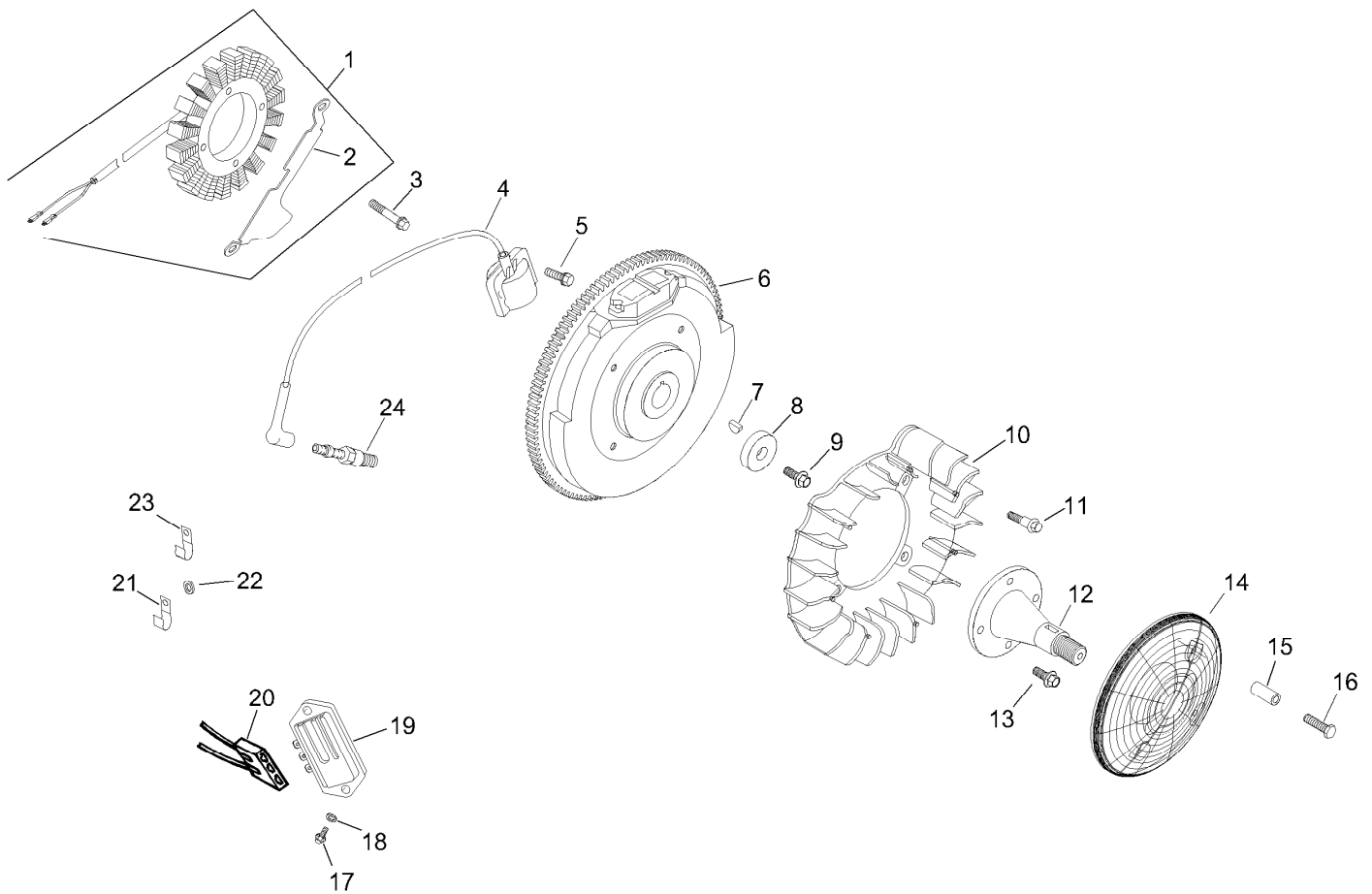


Head, Valve and Breather Assembly Kohler CH20S 64725 (continued)

<i>Ref.</i>	<i>Part Number</i>	<i>Qty.</i>	<i>Description</i>	<i>Ref.</i>	<i>Part Number</i>	<i>Qty.</i>	<i>Description</i>
34	M-645020-S	4	Screw-HHFTF (M6X1.0X20) ■	36	24 326 26-S	1	Hose-Breather ■
35	25 237 14-S	1	Clamp-Hose, Spring (1/2) ■		24 755 147-S	2	Cylinder Head Hardware Kit (Includes 4-8, 10, 11, 14, 17, 18, 22) ■●

● Not illustrated

■ Obtain parts from www.kohlerplus.com

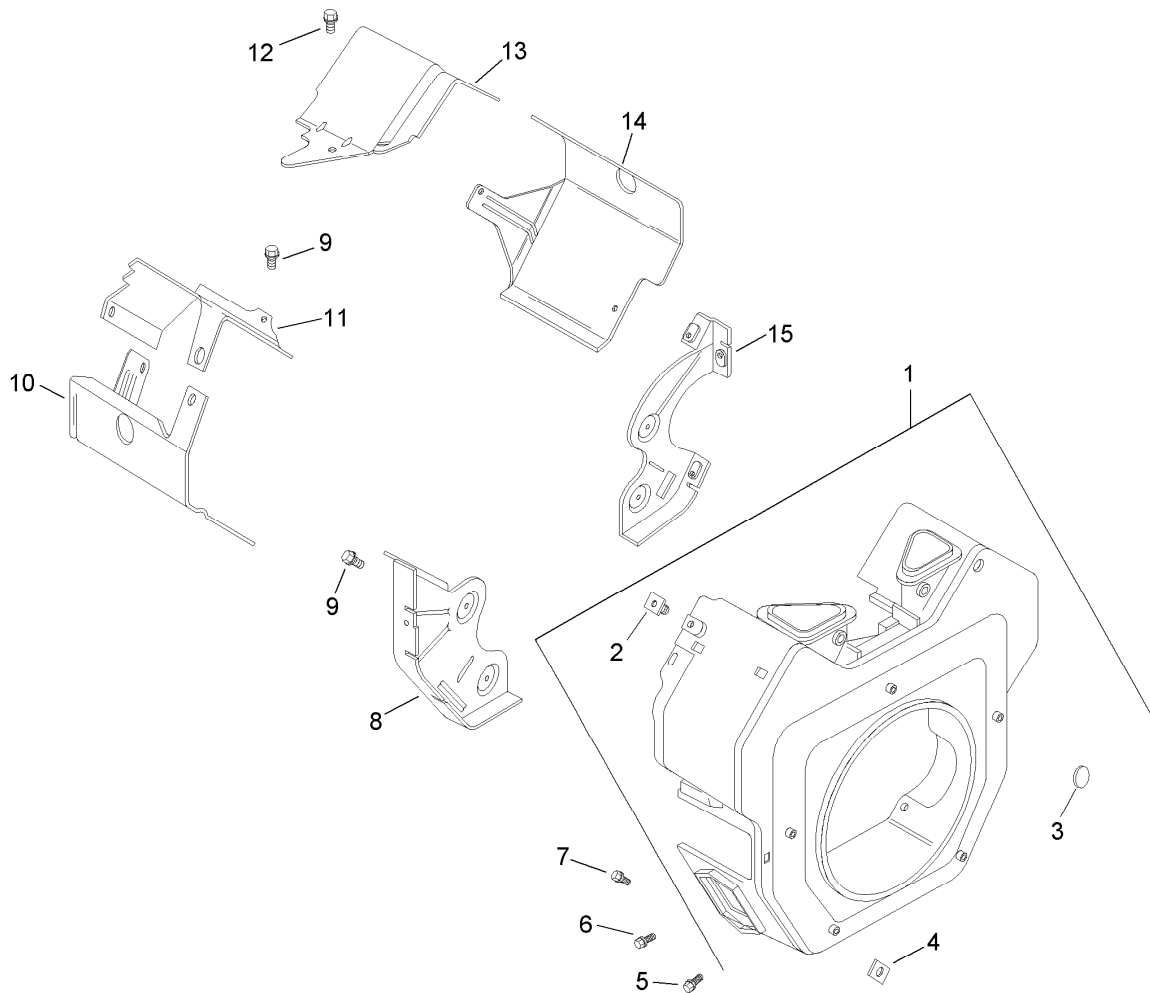


Ignition and Electrical Assembly Kohler CH20S 64725

Ref.	Part Number	Qty.	Description	Ref.	Part Number	Qty.	Description
1	54 755 09-S	1	15 Amp Stator Kit (Includes 2) ■	15	24 112 04-S	4	Spacer ■
2	24 126 139-S	1	Bracket-Wire, Stator ■	16	25 086 117-S	4	Screw-Flange, Sems (M4X.7X25) ■
3	M-548025-S	2	Screw-Thread Forming (M5X0.8X25) ■	17	24 086 18-S	2	Screw-Phi HD (11-16X.88) ■
4	24 584 01-S	2	Module-Ignition ■	18	X-25-92-S	2	Washer-Flat (.188) ■
5	M-545020-S	4	Screw-Flange, Thread Forming (M5X.8X20) ■	19	41 403 09-S	1	Rectifier-Regulator ■
6	24 025 01-S	1	Flywheel ■	20	236602-S	1	Connector (3 Contact) ■
7	X-42-15-S	1	Key (3/16 X 5/8) ■	21	235173-S	1	Clip-Cable ■
8	12 468 03-S	1	Washer-Flat (13/32) ■	22	X-25-63-S	1	Washer-Flat (1/4) ■
9	12 086 14-S	1	Screw-Flange (M10X1.5X45) ■	23	48 154 02-S	1	Clip-Cable ■
10	24 157 07-S	1	Fan ■	24	25 132 12-S	2	Spark Plug (Pro Series) ■
11	25 086 47-S	4	Bolt-Shoulder (M6X1.0X16) ■		24 126 137-S	1	Bracket-Strap, Ground ■●
12	24 144 13-S	1	Shaft-Drive, Front ■		25 468 07-S	1	Washer-Flat (.22) ■●
13	M-839025-S	4	Screw-HF (M8X1.25X25) ■		24 176 08-S	1	Harness-Wiring ■●
14	24 162 18-S	1	Screen-Grass ■		25 086 91-S	1	Screw (2) (Used To Mount The Terminal On Wiring Harness To Baffle) ■●
					25 454 03-S	2	Tie-Wire ■●

● Not illustrated

■ Obtain parts from www.kohlerplus.com

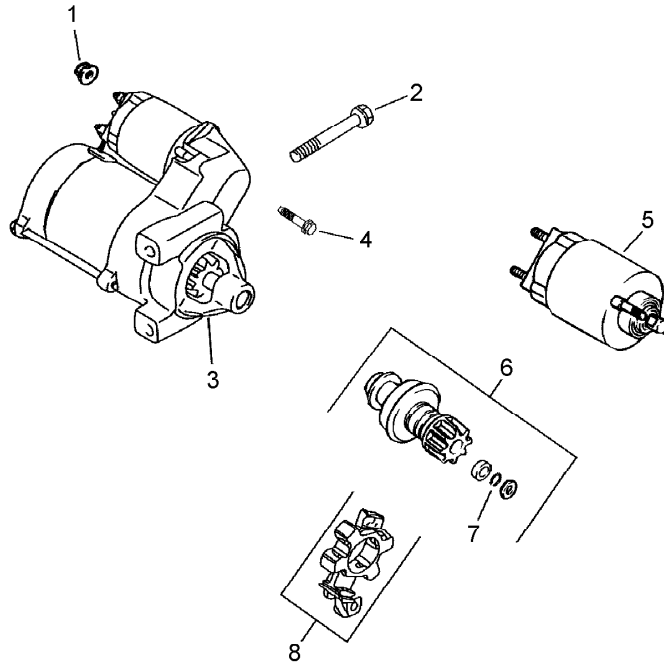


Blower Housing and Baffle Assembly Kohler CH20S 64725

Ref.	Part Number	Qty.	Description
1	24 027 175-S	1	Blower Housing ASM (Includes 2-4) ■
2	24 100 01-S	3	Nut-Plastic ■
3	25 139 16-S	1	Plug-Button (9/16) ■
4	24 100 02-S	2	Nut-Plastic ■
5	M-551016-S	1	Screw-Hex Flange, Heavy (M5X0.8X16) ■
6	M-545016-S	3	Screw-Flange, Thread Forming (M5X0.8X16) ■
7	M-545020-S	4	Screw-Flange, Thread Forming (M5X.8X20) ■
8	24 146 16-S	1	Plate-Backing (No. 2 Side) ■
9	M-645016-S	6	Screw-Flange, Thread Forming (M6X1.0X16) ■
10	24 063 20-S	1	Baffle-Barrel, Cylinder (No. 2 Side) ■
11	24 063 70-S	1	Baffle-Valley (No. 2 Side) ■
12	M-545010-S	2	Screw-HHFTF (M5X.80X10) ■
13	24 063 59-S	1	Baffle-Valley (No. 1 Side) ■
14	24 063 58-S	1	Baffle-Barrel, Cylinder (No. 1 Side) ■
15	24 146 20-S	1	Plate-Backing (No. 1 Side) ■
	24 113 95-S	1	Decal-20 HP ■●
	25 113 39-S	1	Decal-Laminate, Clear ■●

● Not illustrated

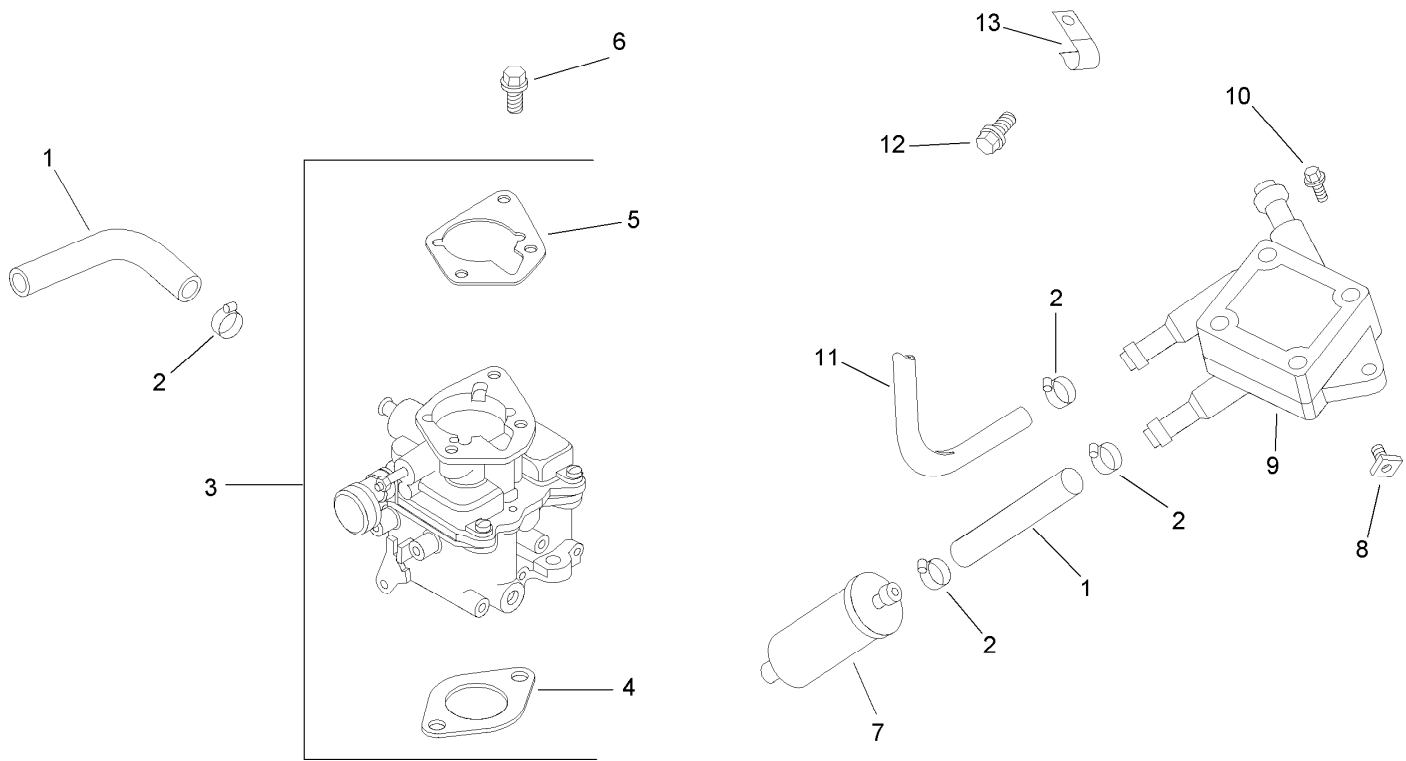
■ Obtain parts from www.kohlerplus.com



Starting System Assembly Kohler CH20S 64725

<i>Ref.</i>	<i>Part Number</i>	<i>Qty.</i>	<i>Description</i>
1	M-841080-S	1	Nut-Flange (M8X1.25) ●
2	M-839080-S	2	Screw-Flg (M8X1.25X80) ●
3	25 098 09-S	1	Starter ASM (Includes 4-8) ●
4	25 086 113-S	3	Screw-Torx Head, External ●
5	25 435 05-S	1	Solenoid Kit (Includes 4) ●
6	25 755 33-S	1	Pinion Drive Kit (Includes 7) ●
7	25 141 01-S	1	Ring ●
8	25 221 01-S	1	Brush Holder Kit ●

● Obtain parts from www.kohlerplus.com

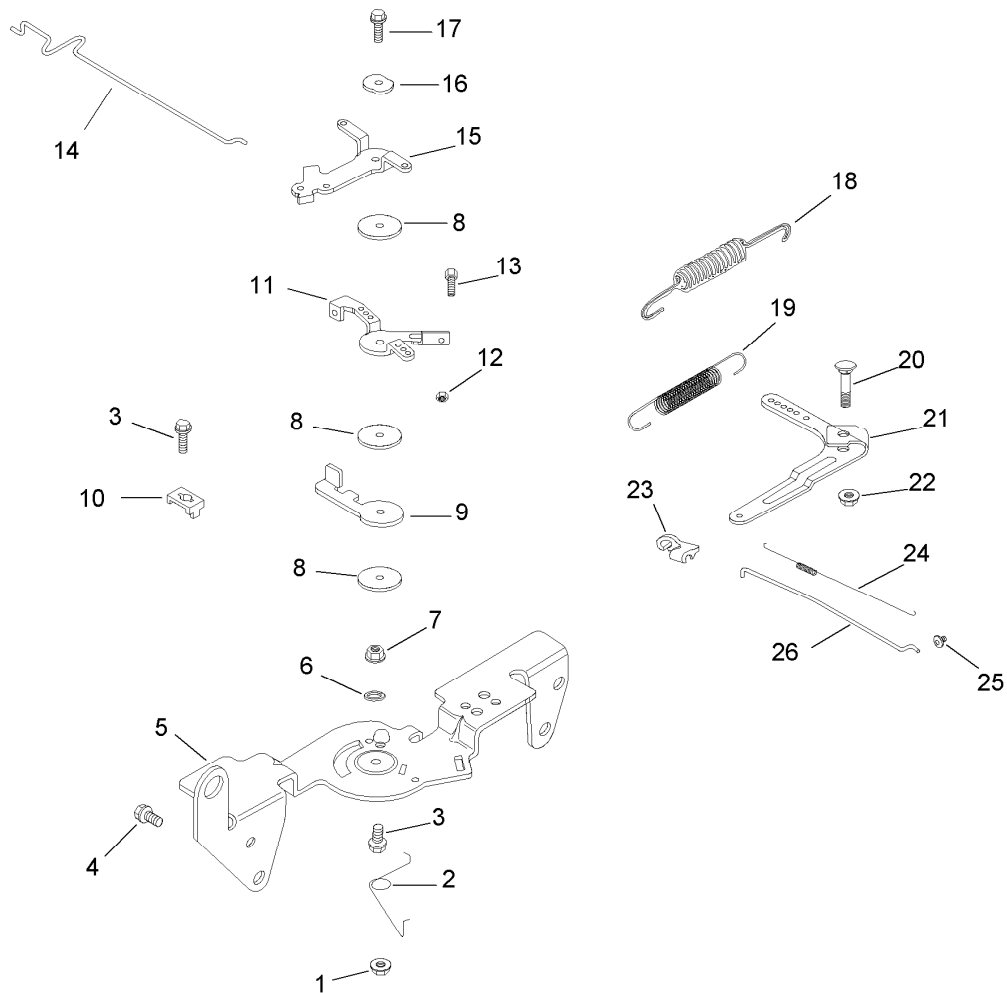


Fuel System Assembly Kohler CH20S 64725

Ref.	Part Number	Qty.	Description
1	25 353 32-S	2	Line-Fuel (9In) ■
2	25 237 14-S	6	Clamp-Hose, Spring (1/2) ■
3	24 853 32-S	1	Carburetor Kit (Includes 4-6) ■
4	24 041 06-S	1	Gasket-Base, Air Cleaner ■
5	24 041 17-S	1	Gasket-Carburetor ■
6	M-651030-S	2	Screw-Flange (M6X1.0X30) ■
7	24 050 10-S	1	Filter-Fuel ■
8	24 100 01-S	2	Nut-Plastic ■
9	24 393 16-S	1	Pump-Fuel ■
10	24 086 12-S	2	Screw-TAP (M6X1.7X18) ■
11	24 353 02-S	1	Line-Fuel (15-1/2In) ■
12	M-650012-S	1	Screw-HF (M6X1.0X12) ■
13	47 154 01-S	1	Clip-Cable ■
	24 755 125-S	1	High Altitude Kit ■ ●
	24 757 01-S	1	Solenoid Repair Kit ■ ●
	24 757 02-S	1	Float Repair Kit ■ ●
	24 757 03-S	1	Carburetor Repair Kit ■ ●
	24 757 07-S	1	Choke Repair Kit ■ ●

● Not illustrated

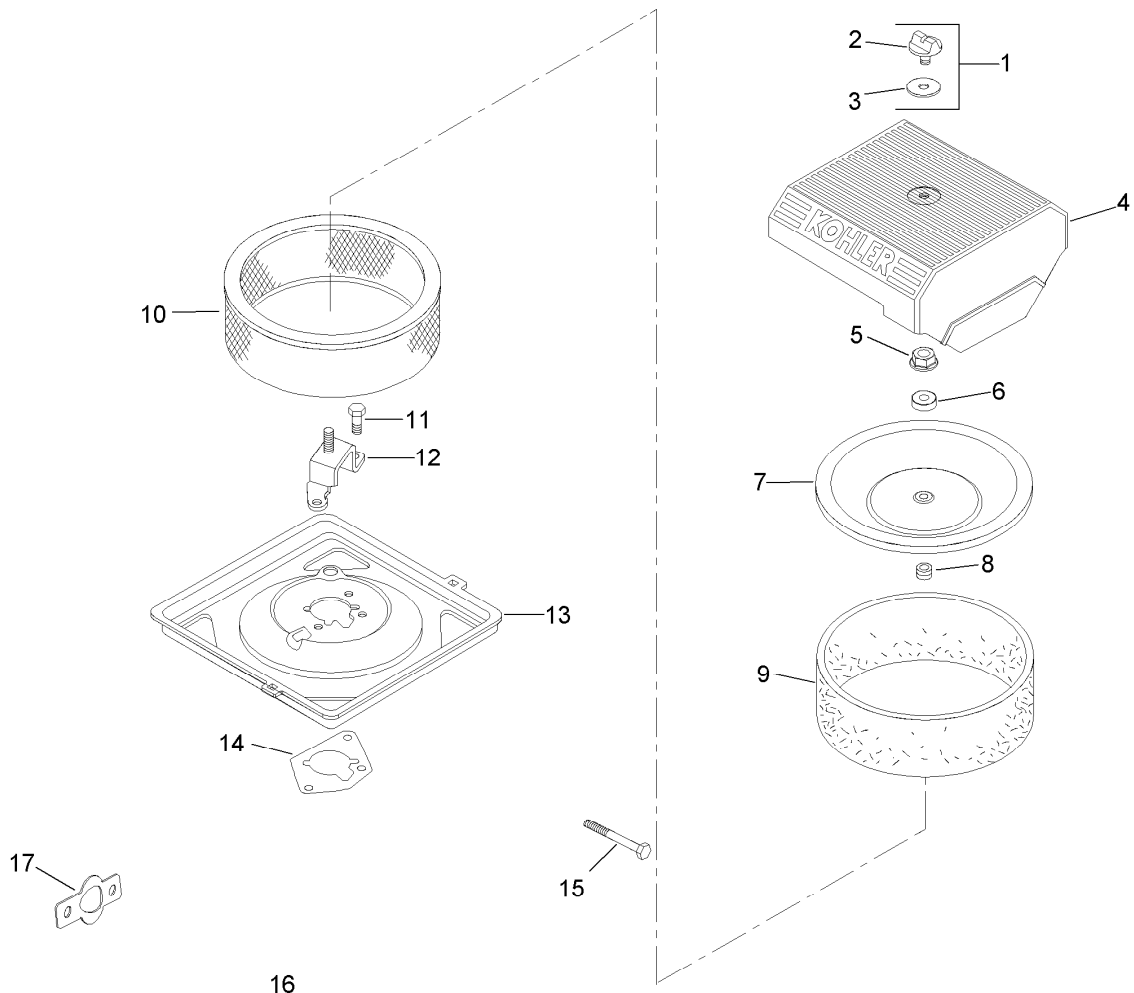
■ Obtain parts from www.kohlerplus.com



Engine Control Assembly Kohler CH20S 64725

Ref.	Part Number	Qty.	Description	Ref.	Part Number	Qty.	Description
1	M-547050-S	1	Nut-Lock (M5X.8) ●	14	24 079 21-S	1	Linkage-Choke ●
2	24 089 03-S	1	Spring-Return, Choke ●	15	24 090 05-S	1	Lever-Choke ●
3	M-545016-S	3	Screw-Flange, Thread Forming (M5X0.8X16) ●	16	41 468 03-S	1	Washer-Spring (1/4) ●
4	M-645016-S	4	Screw-Flange, Thread Forming (M6X1.0X16) ●	17	M-545020-S	1	Screw-Flange, Thread Forming (M5X.8X20) ●
5	24 126 56-S	1	Bracket-Control ●	18	24 089 51-S	1	Spring-Limiter, Throttle ●
6	X-20-1-S	1	Washer-Lock (.25) ●	19	24 089 46-S	1	Spring-Governor ●
7	M-545010-S	1	Screw-HHFTF (M5X.80X10) ●	20	24 211 03-S	1	Bolt-Sq Neck, Rd HD (M6X1.0X25) ●
8	24 468 01-S	3	Washer-Plain (5.5Mm) ●	21	24 090 33-S	1	Lever-Governor ●
9	24 090 07-S	1	Lever-Actuator, Throttle ●	22	M-641060-S	1	Nut-Flange (M6X1.0) ●
10	12 237 01-S	2	Clamp-Cable ●	23	25 158 11-S	1	Bushing-Retaining, Linkage ●
11	24 090 03-S	1	Lever-Control, Throttle ●	24	24 089 01-S	1	Spring-Linkage ●
12	M-446030-S	1	Nut (M4X0.7) ●	25	25 158 08-S	1	Bushing-Linkage, Throttle ●
13	M-401030-S	1	Screw (M4X0.7X30) ●	26	24 079 01-S	1	Linkage-Throttle ●

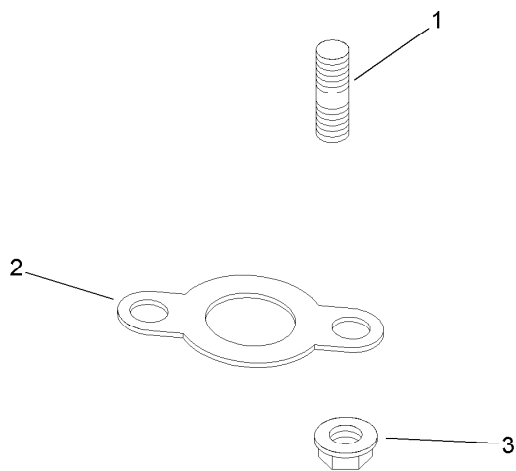
● Obtain parts from www.kohlerplus.com



Air Intake and Filtration Assembly Kohler CH20S 64725

Ref.	Part Number	Qty.	Description
1	54 755 01-S	1	Knob Kit (Includes 2, 3) ●
2	20 341 01-S	1	Knob-Cover ●
3	24 153 20-S	1	O-Ring ●
4	24 096 67-S	1	Cover-Cleaner, Air ●
5	M-641060-S	1	Nut-Flange (M6X1.0) ●
6	28 112 01-S	1	Spacer ●
7	24 096 01-S	1	Cover-Air Cleaner, Inner ●
8	230046-S	1	Seal ●
9	24 083 05-S	1	Pre-Cleaner ●
10	24 083 03-S	1	Element-Filter, Air ●
11	24 086 53-S	3	Screw-Flange, Thread Forming (M6X1.0X16) ●
12	24 126 141-S	1	Bracket-Base, Air Cleaner ●
13	24 094 37-S	1	Base-Cleaner, Air ●
14	24 041 06-S	1	Gasket-Base, Air Cleaner ●
15	25 086 84-S	4	Screw-HF (M6X1.0X55) ●
16	24 164 14-S	1	Manifold-Intake ●
17	24 041 01-S	2	Gasket-Manifold, Intake ●

● Obtain parts from www.kohlerplus.com



Exhaust Assembly Kohler CH20S 64725

<i>Ref.</i>	<i>Part Number</i>	<i>Qty.</i>	<i>Description</i>
1	25 072 04-S	4	Stud (M8X1.25X33) ■
2	24 041 49-S	2	Gasket-Exhaust ■
3	M-841080-S	4	Nut-Flange (M8X1.25) ■
	24 522 181	1	Block-Cylinder (Short Block) ■●
	24 782 15	1	Miniblock ■●
	24 755 107-S	1	Gasket Set ■●

● Not illustrated

■ Obtain parts from www.kohlerplus.com

Attachments and Accessories

For 22306 Dingo TX 420 Compact Utility Loader

Product Name	Model/Part
Track Kit.....	104-6106
Heat Shield Kit.....	104-9997
Brake Kit.....	106-7580
Road Wheel Kit.....	106-7620
Road Wheel Kit (5-Pack)	106-7627
Reference Guide Kit	107-9310
Replacement Hood Latch Kit	108-4650
Rear Cover Kit	108-4657
Track-Aggressive Tread.....	108-5640
Drive Wheel	108-5642-03
Alignment Tool	110-0069
Ce Decal Kit.....	22362



Count on it.