



**Count on it.**

**Parts Catalog**

**Dingo® TX 420  
Compact Utility Loader**

Model No. 22306—Serial No. 240000301 and Up



# Ordering Replacement Parts

To order replacement parts, please supply the part number, the quantity, and the description of each part desired.

## Understanding Reference Numbers

Each identified part in an illustration has a reference number. The reference number for a part also appears in the parts list, along with other information about the part.

This catalog uses two special reference number formats, one to indicate parts in a service assembly and another to indicate the quantity of a given part in an illustration.

## Service Assembly Reference Numbers

Parts in service assemblies have reference numbers in the form a:b. The a represents the reference number of the entire service assembly and the b represents a sequential number unique to each part within the service assembly.

For example, a wheel assembly might be identified by reference number 6, the tire by 6:1, the valve by 6:2, and the wheel by 6:3. When you order the assembly identified by reference number 6, you receive all parts identified by reference numbers 6:1, 6:2, and 6:3. However, you may also order any part individually. Reference numbers of this type appear in illustration and in parts lists.

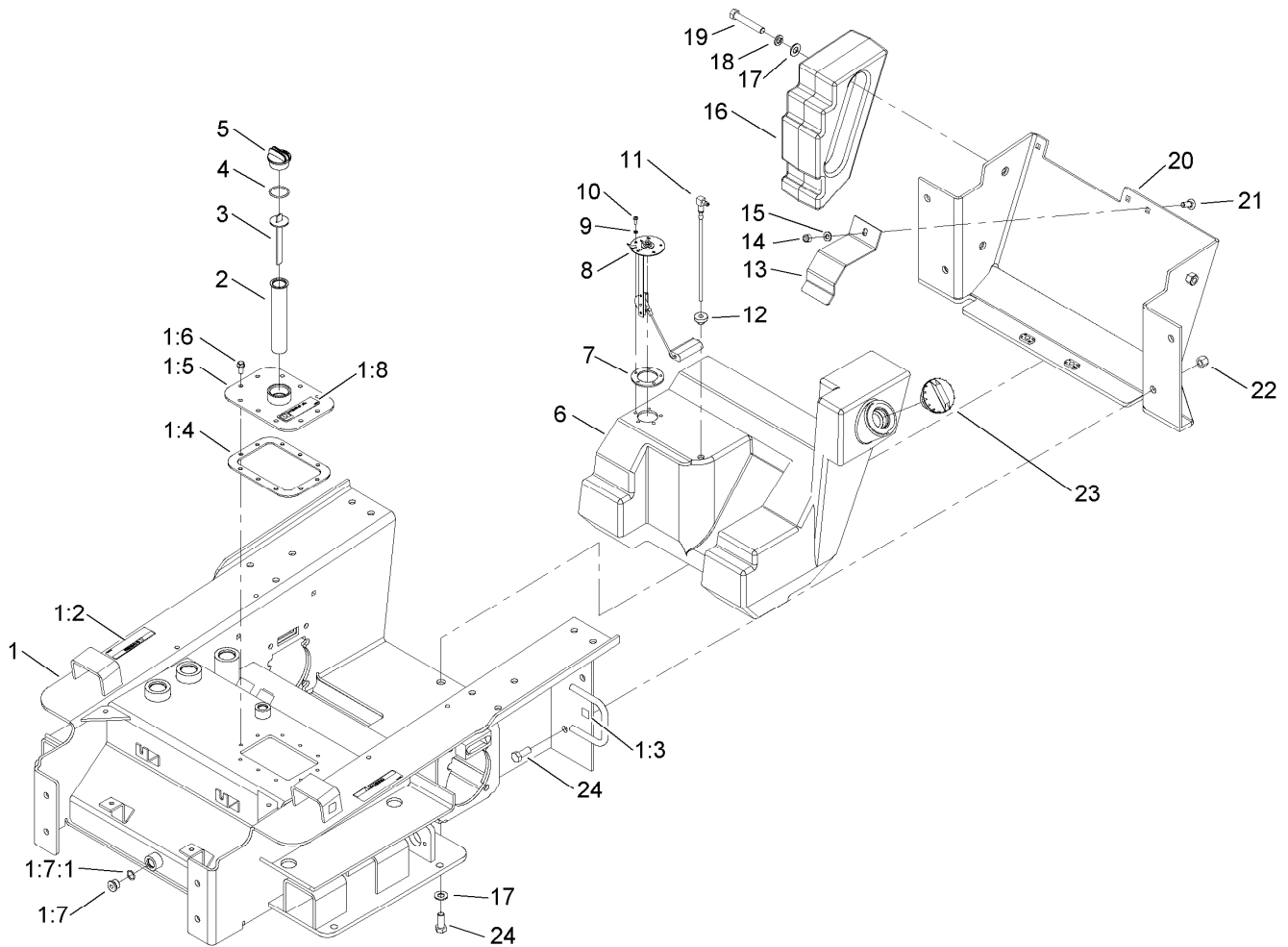
## Reference Numbers Indicating Quantity

In an illustration, if a reference number indicates more than one part, the reference number has the form nX y. The n represents the quantity of the part, the X is the multiplication symbol, and the y represents the reference number.

For example, in an illustration, the reference number 2X 37 means that two of the parts identified by reference number 37 are indicated.

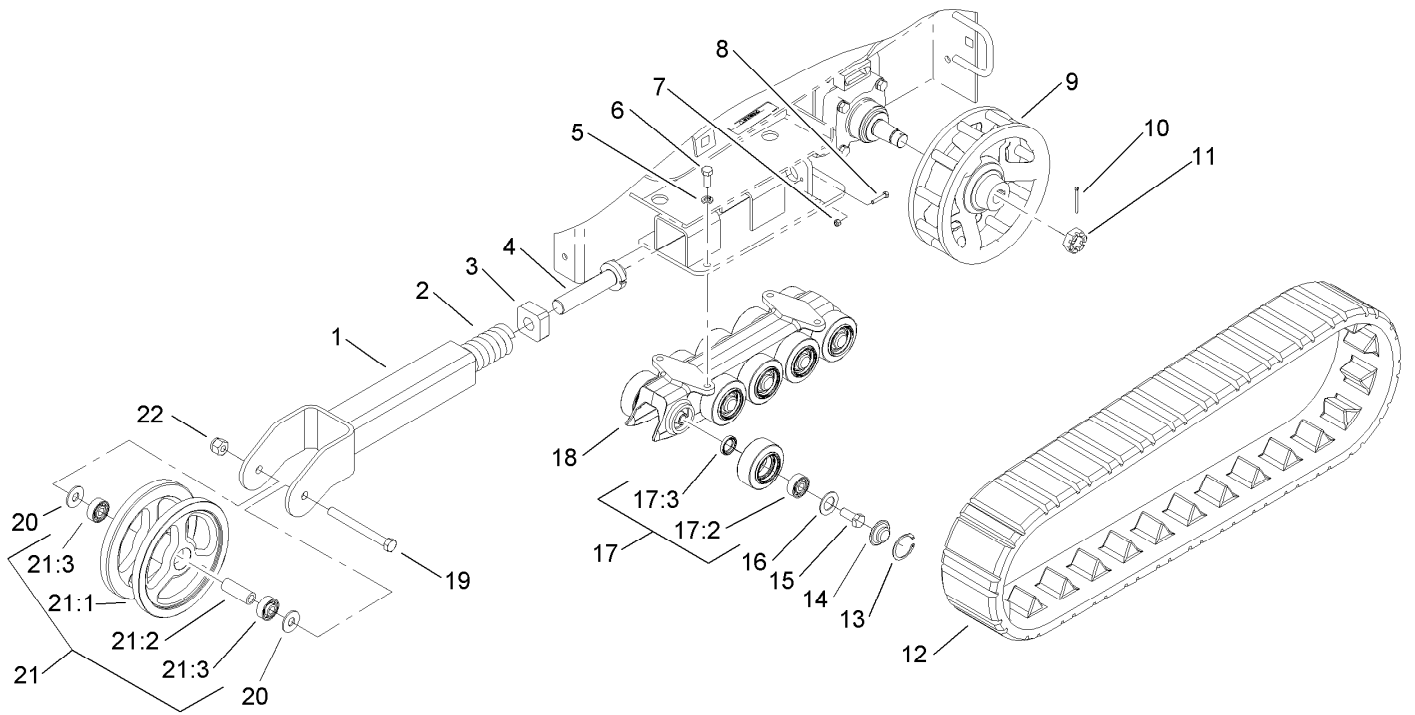
# Contents

Main Frame and Fuel Tank Assembly	4
Track and Traction Assembly	5
Parking Brake Assembly	6
Loader Tower and Drive Assembly	7
Traction Hydraulics Assembly	8
Hydraulic Pump Assembly No. 106-5705 and 106-5706	10
Hydraulic Motor Assembly No. 106-7654	11
Engine and Mount Assembly	12
Hydraulic Pump and Filter Assembly	13
Hydraulic Gear Pump Assembly No. 98-2752	14
Control Panel Assembly	15
Traction Control Assembly	16
Principal Hydraulic Assembly	17
Two Spool Valve Assembly No. 106-9307	18
One Spool Valve Assembly No. 104-2831	19
Loader Arm Assembly	20
Loader Arm Hydraulic Assembly	21
Left Hand Hydraulic Lift Cylinder Assembly No. 104-6267	22
Right Hand Hydraulic Lift Cylinder Assembly No. 104-6269	23
Hydraulic Cylinder Assembly No. 105-8370	24
Quick Attach Assembly	25
Electrical System Assembly	26
Grill Assembly	27
Hydraulic Oil Cooler Assembly	28
Hood Assembly	29
Rear Access Cover Assembly	30
Crankshaft Assembly Kohler CH20S-64656	31
Crankcase Assembly Kohler CH20S-64656	32
Oil Pan/Lubrication Assembly Kohler CH20S-64656	33
Head/Valve/Breather Assembly Kohler CH20S-64656	34
Ignition/Electrical Assembly Kohler CH20S-64656	36
Blower Housing Assembly Kohler CH20S-64656	37
Starter Assembly Kohler CH20S-64656	38
Fuel System Assembly Kohler CH20S-64656	39
Engine Control Assembly Kohler CH20S-64656	41
Air Intake/Filtration Assembly Kohler CH20S-64656	42
Exhaust Assembly Kohler CH20S-64656	43



## Main Frame and Fuel Tank Assembly

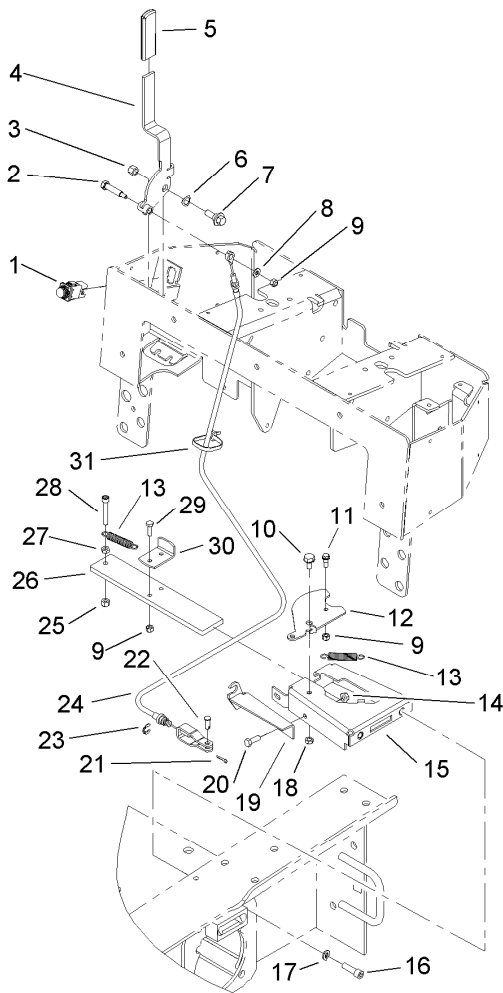
<i>Ref.</i>	<i>Part Number</i>	<i>Qty.</i>	<i>Description</i>	<i>Ref.</i>	<i>Part Number</i>	<i>Qty.</i>	<i>Description</i>
1	105-5830	1	Chassis ASM	9	3253-17	5	Washer-Lock
1:2	100-6141	2	Decal-Pinch	10	3250-31	5	Screw-PPH
1:3	93-9084	4	Decal-Point, Lift	11	98-0185	1	Pipe-Stand
1:4	100-1253	1	Gasket-Cover, Access	12	46-6560	1	Bushing
1:5	104-8389-01	1	Tank Cover ASM	13	100-1257-03	1	Clamp-Tank, Fuel
1:6	98-9940	10	Screw-HHF	14	3296-39	1	Nut-Lock, NI
1:7	353-988	2	Plug-Hex	15	3256-38	1	Washer-Flat
1:7:1	237-79	1	O-Ring	16	99-6165-01	2	Counterweight-Rear
1:8	105-8432	1	Decal-Oil, HYD	17	3256-26	6	Washer-Flat
2	61-2790	1	Filter-Screen	18	3253-7	4	Washer-Lock
3	100-2097	1	Dipstick-Oil	19	325-12	4	Screw-HH
4	237-123	1	O-Ring	20	105-0373-01	1	Rear Frame Cover ASM
5	93-7498	1	Plug-Plastic	21	3231-22	1	Screw-CARR
6	95-3619	1	Tank-Fuel	22	3296-23	4	Nut-Lock, NI
7	113372	1	Gasket-Sender, Fuel	23	93-3101	1	Cap-Fuel
8	100-1298	1	Sender-Fuel	24	325-5	6	Screw-HH



## Track and Traction Assembly

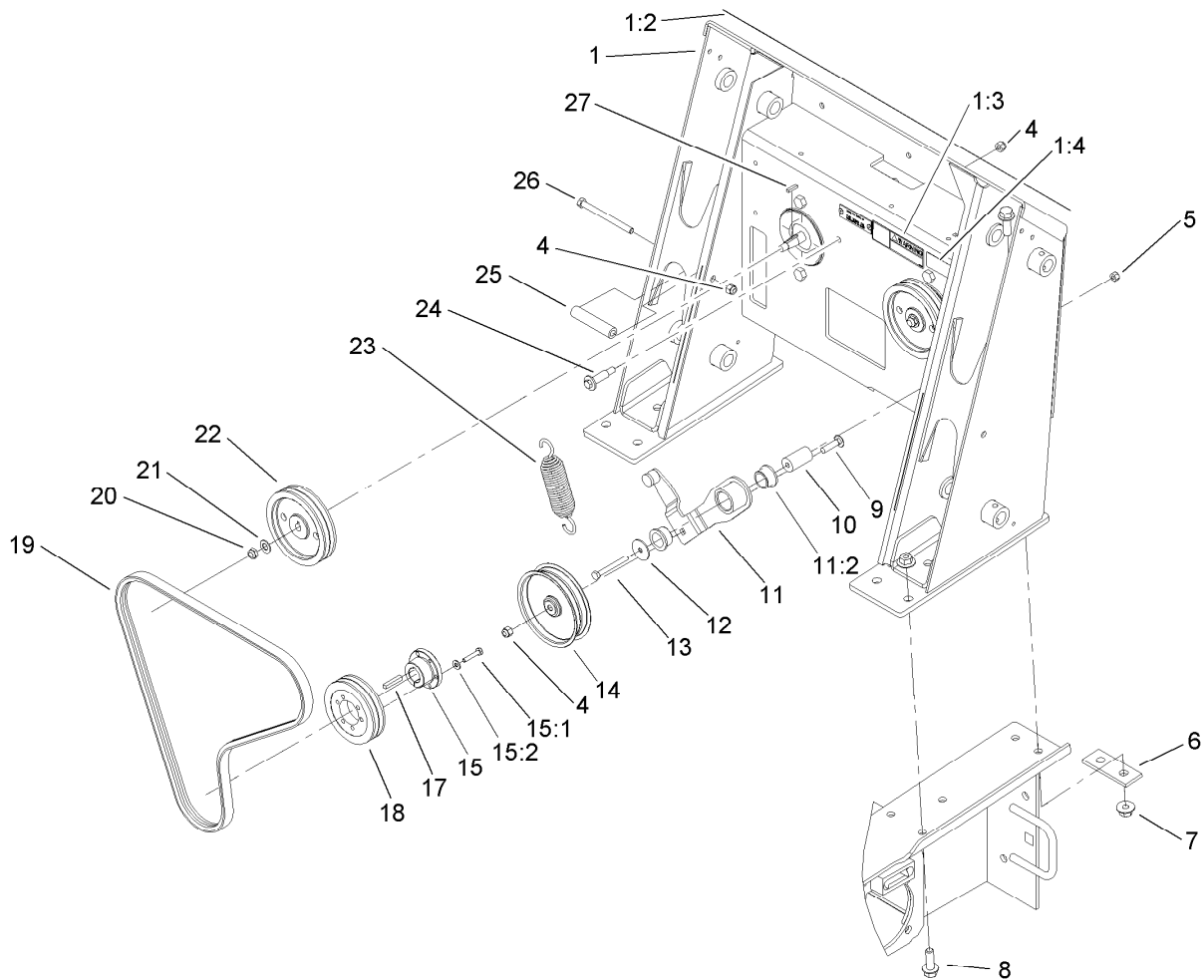
Ref.	Part Number	Qty.	Description
1	98-9801-03	2	Tensioner Arm ASM
2	95-3624	2	Spring-Compression
3	95-3626	2	Block-Tensioner
4	98-9846	2	Bolt-Tensioner
5	3253-7	8	Washer-Lock
6	325-5	8	Screw-HH
7	3296-42	2	Nut-Lock, NI
8	321-13	2	Screw-HH
9	106-7655-03	2	Wheel-Drive, Tx 420
10	3272-20	2	Pin-Cotter
11	106-5738	2	Nut-Hex Slotted
12	98-9800	2	Track
13	106-7595	20	Ring-Snap, Internal
14	106-7557	20	Cap-Wheel, Bearing

Ref.	Part Number	Qty.	Description
15	327-4	20	Screw-HH
16	106-7585	20	Gasket-Bogie
17	106-7621	20	Road Wheel ASM
17:2	93-4237	1	Bearing
17:3	253-118	1	Seal-Oil
18	106-7590-03	2	Guide-Track
19	327-17	2	Screw-HH
20	3256-7	4	Washer-Flat
21	104-5745	2	Tensioner Wheel ASM
21:1	104-5747-03	1	Wheel-Tensioner
21:2	98-9835	1	Spacer-Wheel, Tensioner
21:3	93-4237	2	Bearing
22	3296-24	2	Nut-Hex



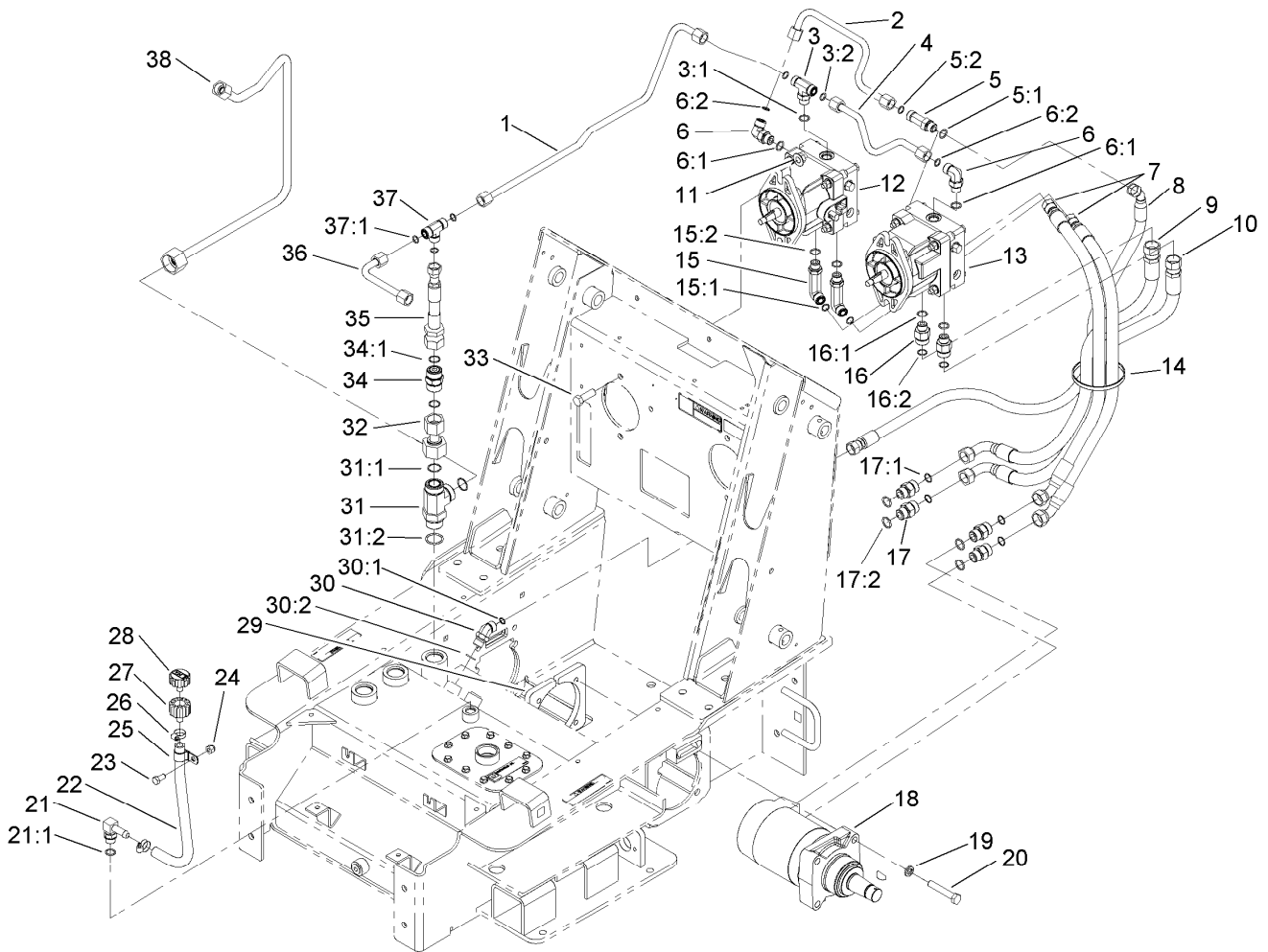
## Parking Brake Assembly

<i>Ref.</i>	<i>Part Number</i>	<i>Qty.</i>	<i>Description</i>	<i>Ref.</i>	<i>Part Number</i>	<i>Qty.</i>	<i>Description</i>
1	100-1268	1	Switch-Plunger	17	3253-5	4	Washer-Lock
2	611792	1	Bolt-Shoulder	18	3296-47	2	Nut-Lock,NI
3	3296-6	1	Nut-Lock	19	98-8446-03	2	Bracket-Cable, Brake
4	106-9327-03	1	Brake Lever ASM	20	322-4	4	Screw-HH
5	62-9130	1	Grip-Handle	21	3272-9	2	Pin-Cotter
6	3290-221	1	Washer-Spring	22	283-62	2	Pin-Clevis
7	93-2364	1	Bolt-Shoulder	23	32151-43	2	Ring-Clip
8	3256-22	1	Washer-Flat	24	100-1283	2	Cable-Brake
9	3296-42	7	Nut-Lock, NI	25	3296-29	2	Nut-Lock, NI
10	37-8771	2	Bolt-Shoulder, HF	26	106-7550-03	2	Plate-Brake
11	42-3560	2	Bolt-Shoulder	27	3218-2	2	Nut-Hex Jam
12	98-8443	2	Lever-Brake	28	3274-86	2	Screw-HSH
13	87-4020	4	Spring-Extension	29	321-5	4	Screw-HH
14	32128-20	4	Nut-HF	30	98-8448	2	Stop-Brake
15	100-4200-03	2	Brake Housing ASM	31	3290-378	2	Tie-Cable
16	3274-1	4	Screw-HSH				



## Loader Tower and Drive Assembly

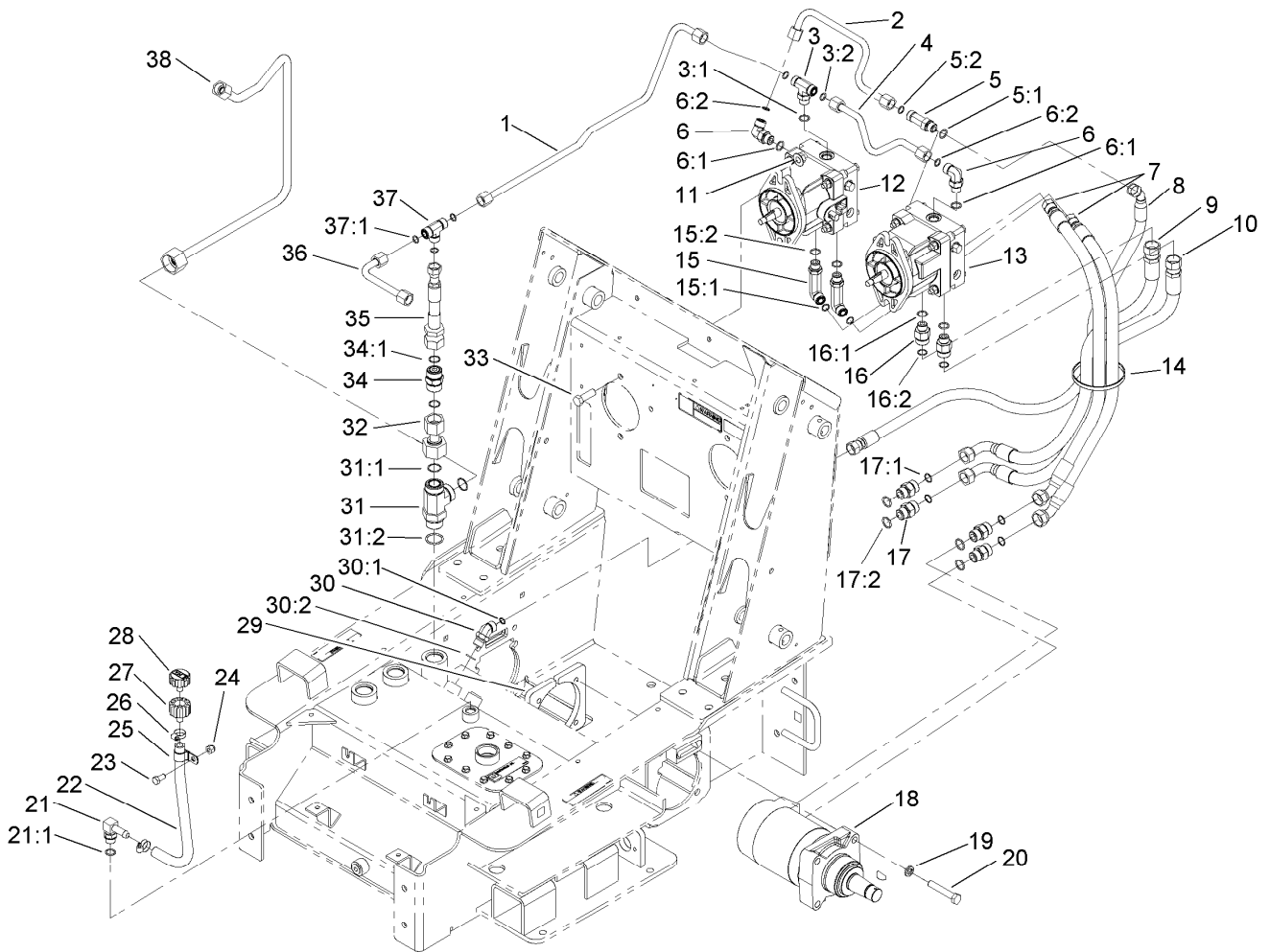
<i>Ref.</i>	<i>Part Number</i>	<i>Qty.</i>	<i>Description</i>	<i>Ref.</i>	<i>Part Number</i>	<i>Qty.</i>	<i>Description</i>
1	106-9300	1	Loader Tower ASM	15	100-4208	3	Screw-HH
1:2	106-9305	1	Decal-Panel, Control	15	61-3340	1	Bushing
1:3	80-8040	1	Decal-Warning	15:1	100-4208	3	Screw-HH
1:4	107-9323	1	Decal-Patent	15:2	100-4209	3	Washer-Lock / Sp
4	3296-39	4	Nut-Lock, NI	17	67-7490	1	Key-Square
5	3296-29	1	Nut-Lock, NI	18	61-3330	1	Pulley
6	100-6123-01	2	Plate-Stiffener	19	95-3611	1	V-Belt
7	32128-52	10	Nut-Lock, Flange	20	3296-38	2	Nut-Lock, NI
8	100-6116	10	Screw-HHF	21	3256-25	2	Washer-Flat
9	3231-26	1	Screw-CARR	22	106-5710-03	2	Pulley
10	104-5739	1	Spacer-Mounting	23	105-0383	1	Spring-Extension
11	99-6167	1	Idler Arm ASM	24	56-6590	1	Bolt-Wheel
11:2	256-132	2	Bushing-Flange	25	100-1271	2	Tube-Spacer
12	3256-68	1	Washer-Flat	26	323-23	2	Screw-HH
13	322-13	1	Screw-HH	27	3-6168	2	Key
14	95-3707	1	Pulley-Idler				



## Traction Hydraulics Assembly

Ref.	Part Number	Qty.	Description	Ref.	Part Number	Qty.	Description
1	106-9331	1	Hydraulic Tube ASM	17:1	237-65	1	O-Ring
2	98-0200	1	Tube-HYD	17:2	237-80	1	O-Ring
3	340-157	1	Fitting-HYD, Tee	18	106-7654	2	HYD Motor ASM
3:1	237-79	1	O-Ring	19	3253-7	8	Washer-Lock
3:2	237-30	2	O-Ring	20	325-11	8	Screw-HH
4	106-9330	1	Tube-HYD	21	354-120	1	Fitting-Elbow, 90
5	340-109	1	Fitting-Tee	21:1	237-79	1	O-Ring
5:1	237-79	1	O-Ring	22	106-5709	1	Hose-Vent
5:2	237-30	2	O-Ring	23	323-4	1	Screw-HH
6	340-98	2	Fitting-Elbow, 90 DEG	24	3296-39	1	Nut-Lock, NI
6:1	237-79	1	O-Ring	25	2412-4	1	Clamp-R
6:2	237-30	1	O-Ring	26	2412-36	2	Clamp-Hose
7	98-0233	2	Hose-HYD	27	92-8020	1	Adapter-Breather
8	98-0201	1	Hose-HYD	28	68-6150	1	Breather
9	98-0235	1	HYD Hose ASM	29	98-2763-03	4	Plate-Mounting
10	98-0177	1	HYD Hose ASM	30	340-101	1	Fitting-HYD, 45 DEG
11	32128-23	4	Nut-HF	30:1	237-30	1	O-Ring
12	106-5706	1	RH HYD Pump ASM	30:2	237-79	1	O-Ring
13	106-5705	1	LH HYD Pump ASM	31	104-3795	1	Fitting-Tee
14	3334-945	1	Tie-Cable	31:1	340-65	2	O-Ring
15	99-6160	2	Fitting-Elbow, 90 Long	31:2	237-146	1	O-Ring
15:1	237-30	1	O-Ring	32	105-0226	1	Tube-HYD
15:2	237-79	1	O-Ring	33	325-6	4	Screw-HH
16	340-155	2	Fitting-Straight	34	99-6161	1	HYD Check Valve ASM
16:1	237-79	1	O-Ring	34:1	237-58	2	O-Ring
16:2	237-151	1	O-Ring	35	105-0225	1	HYD Hose ASM
17	340-7	4	Fitting-Straight	36	95-3517	1	HYD Tube ASM

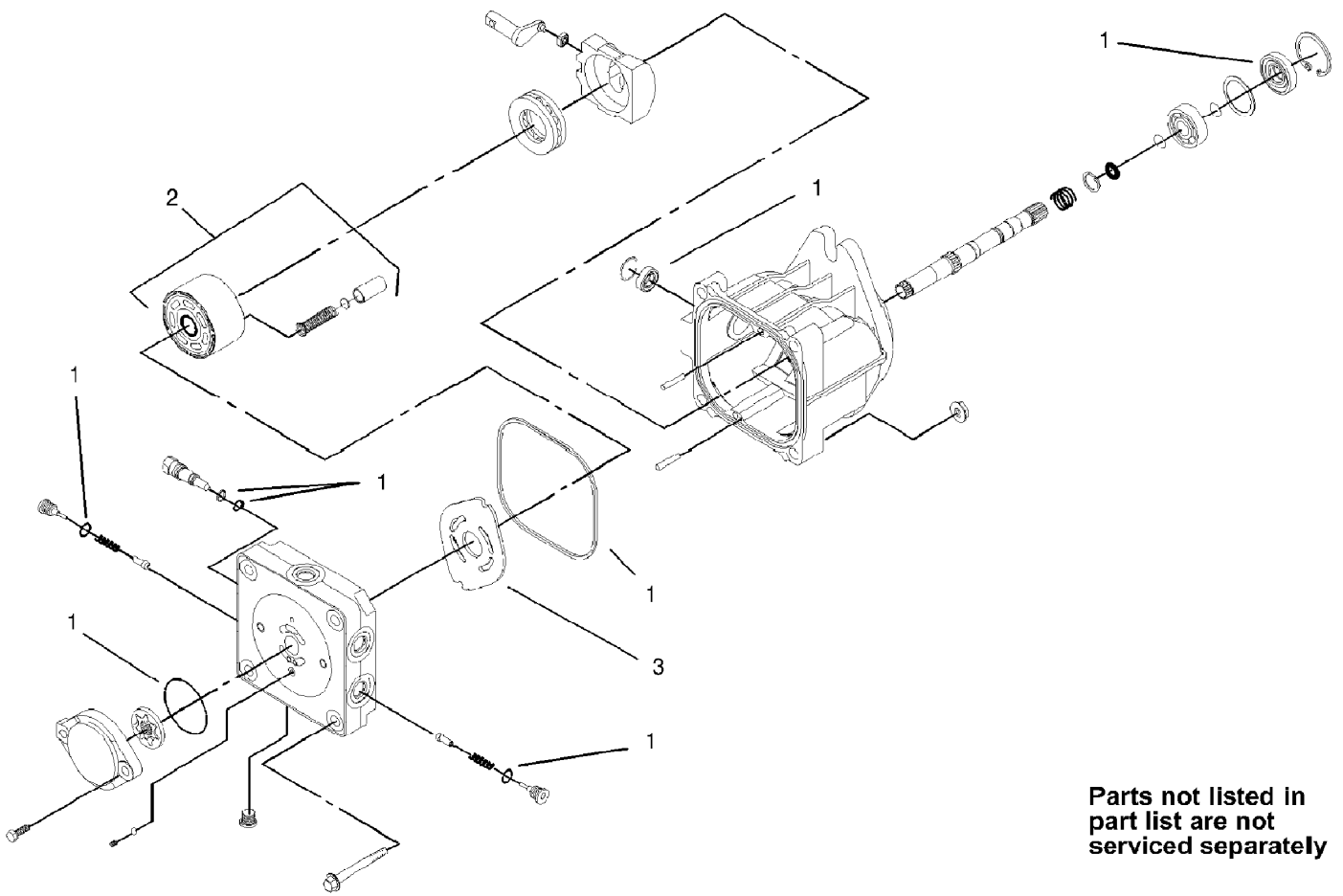




## Traction Hydraulics Assembly (continued)

<i>Ref.</i>	<i>Part Number</i>	<i>Qty.</i>	<i>Description</i>
37	340-102	1	Adapter

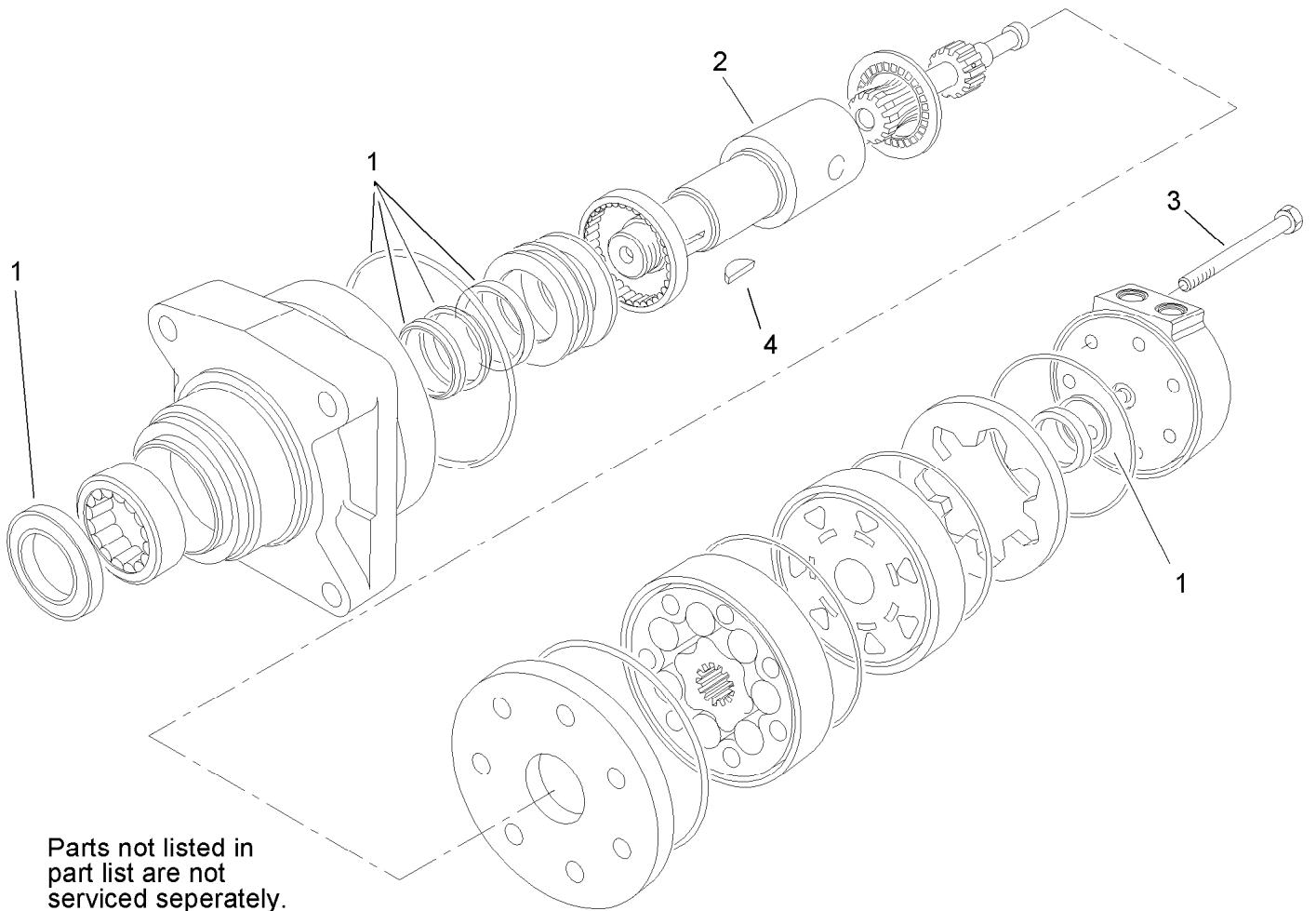
<i>Ref.</i>	<i>Part Number</i>	<i>Qty.</i>	<i>Description</i>
37:1	237-30	3	O-Ring
38	106-9332	1	HYD Tube ASM



Parts not listed in  
part list are not  
serviced separately

## Hydraulic Pump Assembly No. 106-5705 and 106-5706

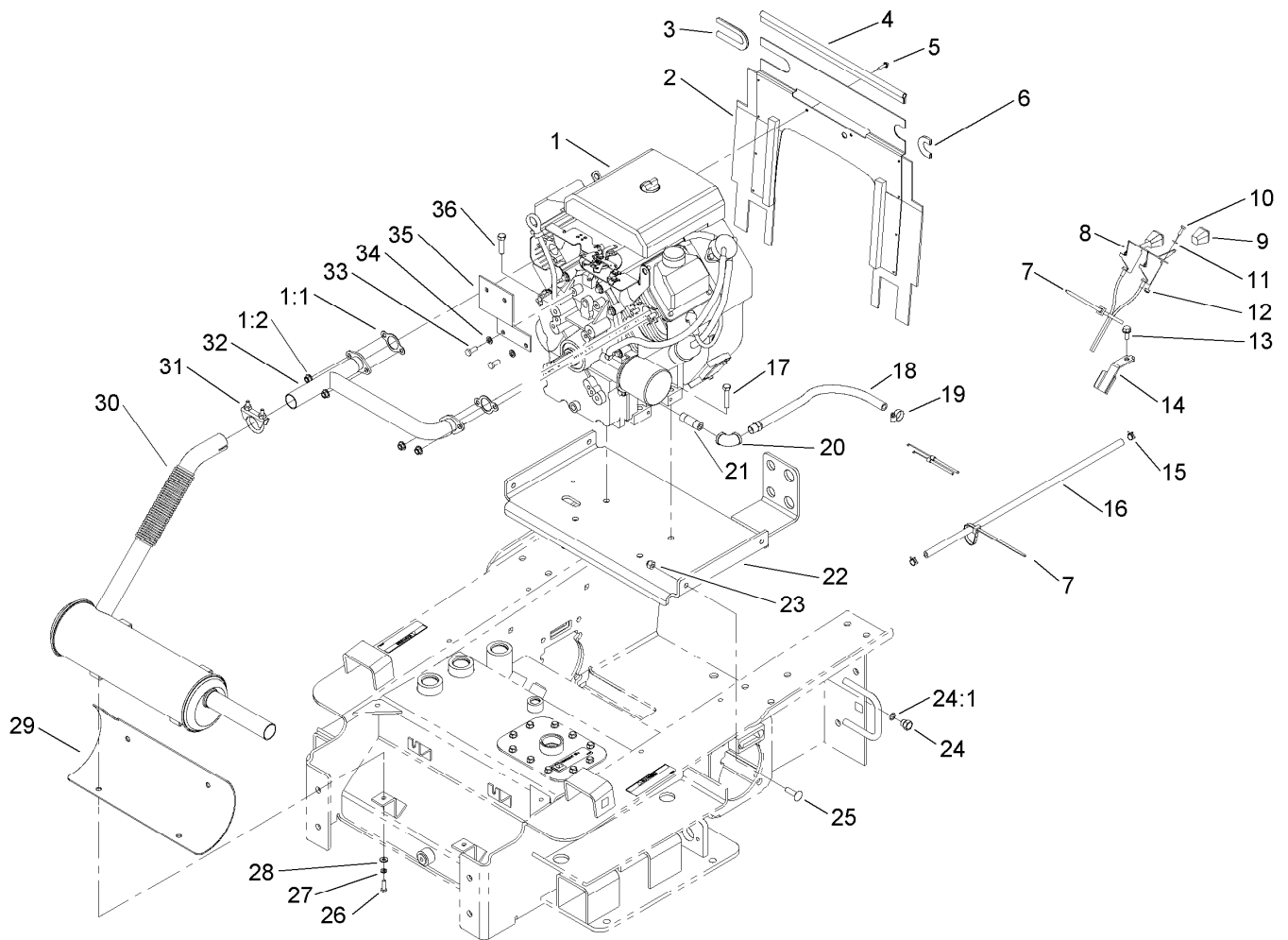
<i>Ref.</i>	<i>Part Number</i>	<i>Qty.</i>	<i>Description</i>
1	100-6110	1	Overhaul Seal Kit
2	94-1913	1	Cylinder Block ASM
3	100-6112	1	Plate-Valve



Parts not listed in  
part list are not  
serviced seperately.

## Hydraulic Motor Assembly No. 106-7654

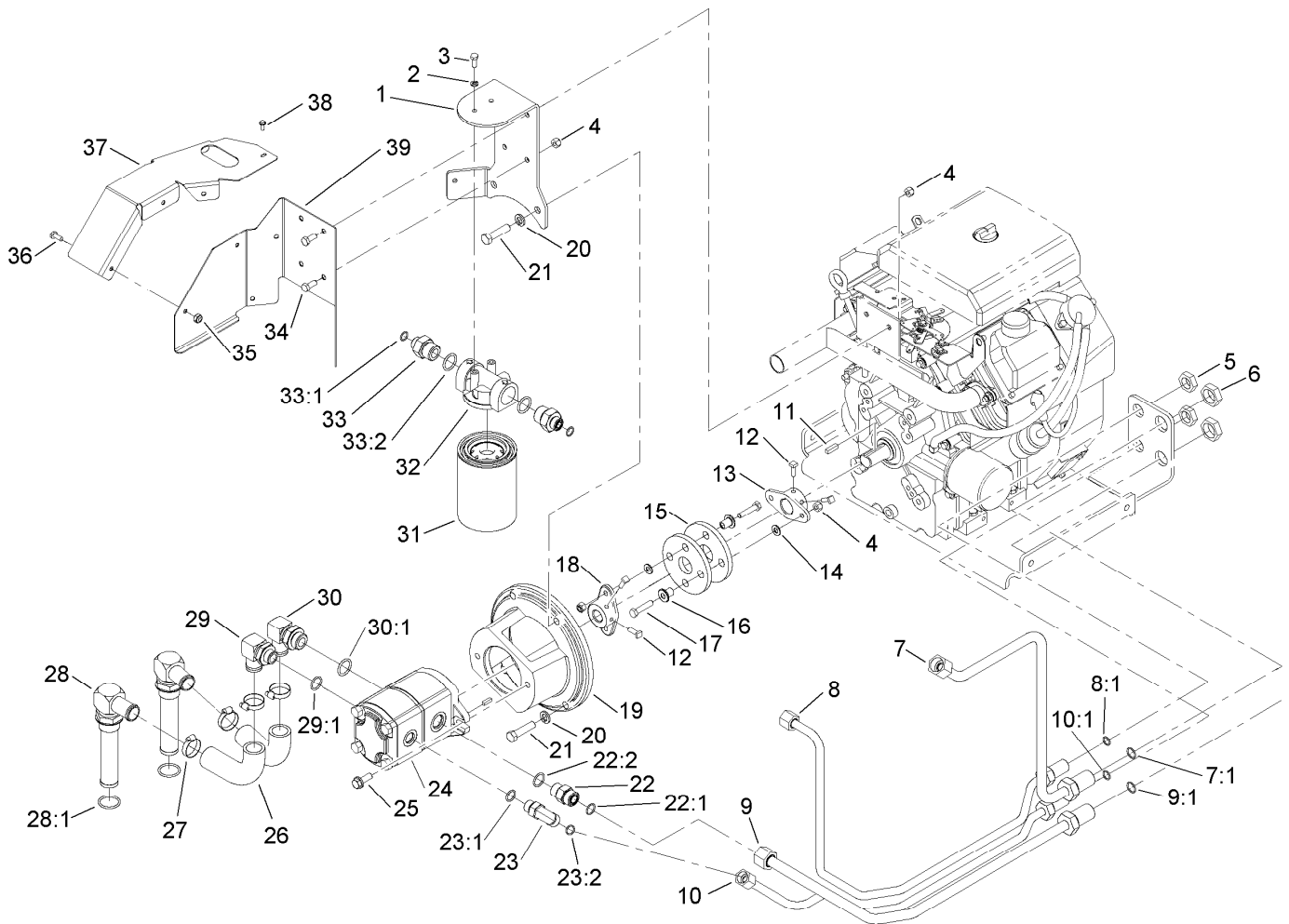
<i>Ref.</i>	<i>Part Number</i>	<i>Qty.</i>	<i>Description</i>
1	100-6131	1	Seal Kit
2	106-7645	1	Coupling-Shaft
3	100-4241	7	Screw-HH
4	3257-42	1	Key-Woodruff



## Engine and Mount Assembly

Ref.	Part Number	Qty.	Description	Ref.	Part Number	Qty.	Description
1		1	Engine-Kohler, Ch20S-64656 ●	19	2412-36	1	Clamp-Hose
1:1	93-0350	2	Gasket-Exhaust	20	94-9650	1	Elbow-90 DEG
1:2	92-6780	4	Nut-HF	21	289-42	1	Nipple
2	106-5748	1	Engine Baffle ASM	22	106-5742-03	1	Engine Mounting Bracket ASM
3	105-0378	1	Seal-Strip, 6.5 Inch	23	3296-39	4	Nut-Lock, NI
4	106-5749	1	Seal-Strip, 16 Inch	24	353-508	1	Plug-HH
5	27-0220	2	Screw-Special	24:1	237-42	1	O-Ring
6	105-0377	1	Seal-Strip, 3 Inch	25	3231-28	4	Screw-CARR
7	3290-378	2	Tie-Cable	26	321-5	4	Screw-HH
8	99-6173	2	Cable-Throttle	27	3253-3	4	Washer-Lock
9	66-0120	2	Knob	28	3256-22	4	Washer-Flat
10	3290-134	4	Screw	29	98-2762	1	Shield-Heat, Muffler
11	3256-51	4	Washer-Flat	30	105-0249	1	Muffler
12	3296-2	4	Nut-Lock, NI	31	2112-11	1	Clamp-Muffler
13	32144-70	1	Screw-HWHTF	32	98-2761	1	Manifold-Crossover
14	100-1299-03	1	Guide-Cable	33	33114-020	2	Screw-HH
15	2412-98	2	Clamp-Hose	34	3253-4	2	Washer-Lock
16	105-0376	1	Hose-Fuel	35	99-6171-03	1	Bracket-Support, Oil Filter
17	323-9	3	Screw-HH	36	323-8	1	Screw-HH
18	100-1256	1	Oil Hose ASM				

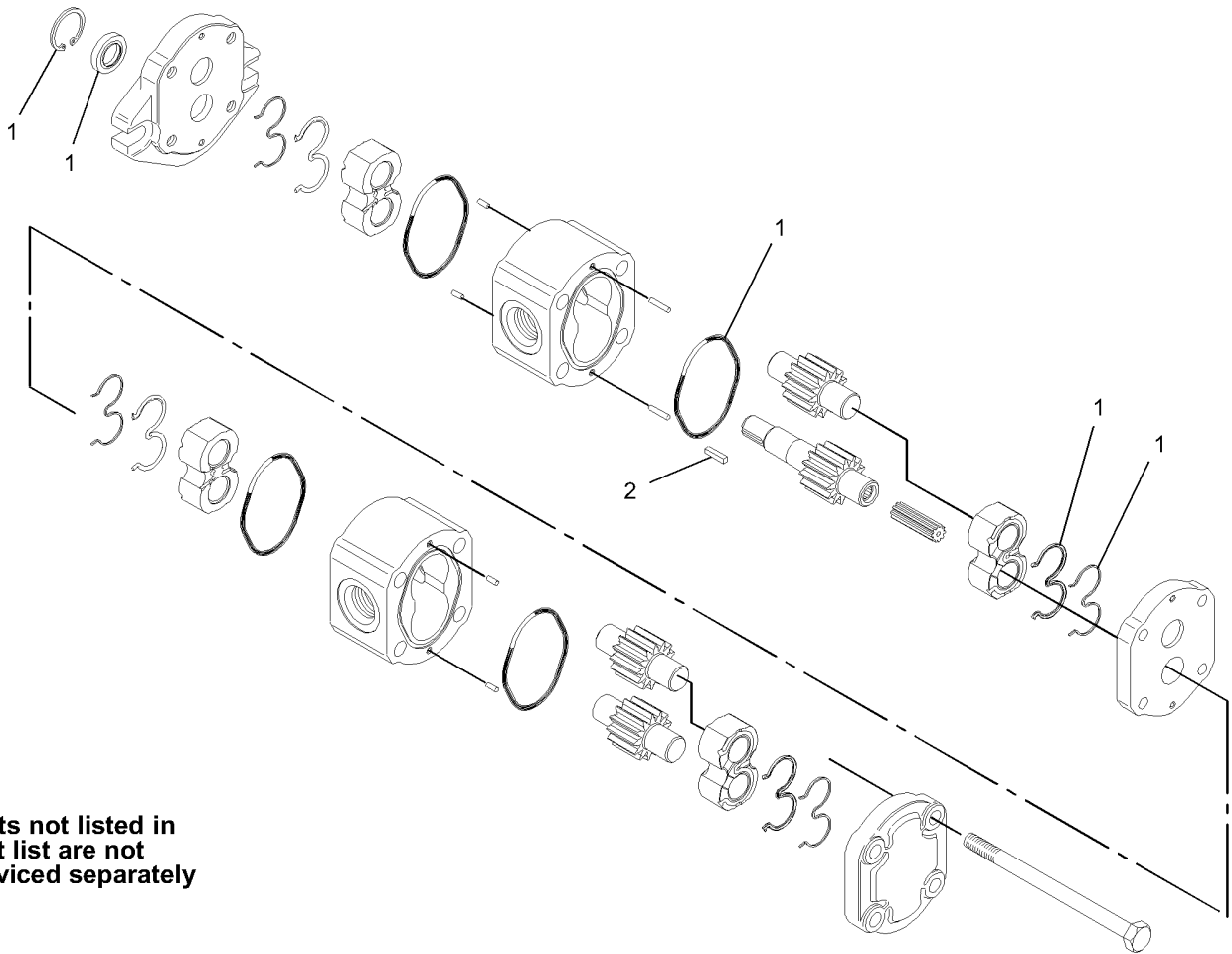
● Not serviced separately



## Hydraulic Pump and Filter Assembly

Ref.	Part Number	Qty.	Description
1	99-6172-03	1	Bracket-Support, Oil Filter
2	3253-3	2	Washer-Lock
3	321-4	2	Screw-HH
4	3296-29	8	Nut-Lock, NI
5	340-127	2	Nut-Bulkhead
6	340-74	2	Nut-Lock, Bulkhead
7	106-9333	1	HYD Tube ASM
7:1	237-65	1	O-Ring
8	98-2780	1	HYD Tube ASM
8:1	237-30	1	O-Ring
9	98-2783	1	HYD Tube ASM
9:1	237-65	1	O-Ring
10	98-2781	1	HYD Tube ASM
10:1	237-30	1	O-Ring
11	10-7070	1	Key-Square
12	3241-6	4	Screw-SQH
13	27-1960	1	Hub-Engine
14	3256-23	4	Washer-Plain
15	44-2230	2	Coupling-Rubber
16	71-4411	4	Spacer
17	322-7	4	Screw-HH
18	49-9600	1	Hub-Pump
19	98-2751	1	Mount-Pump
20	3253-6	4	Washer-Lock
21	324-7	4	Screw-HH
22	340-7	1	Fitting-Straight

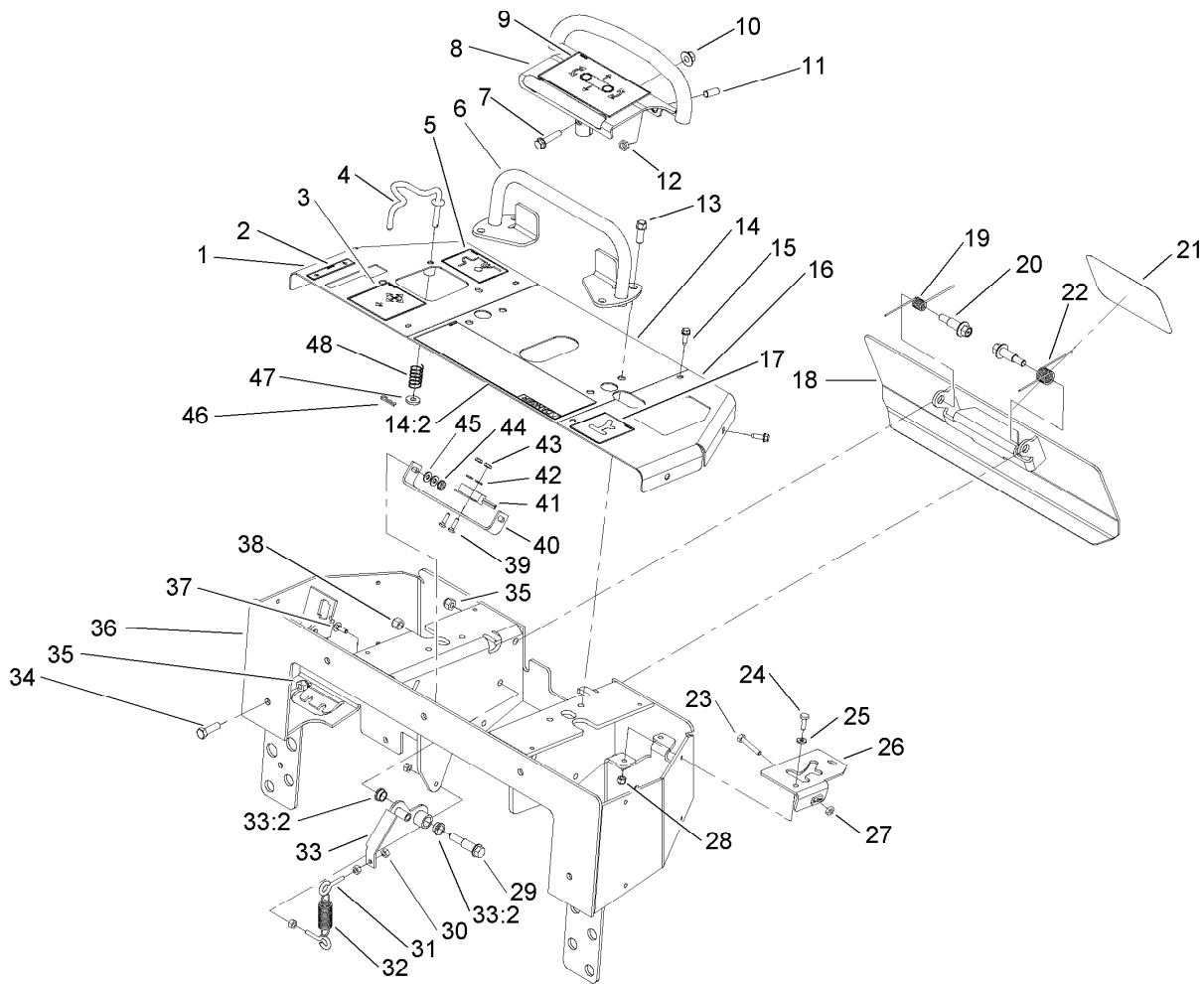
Ref.	Part Number	Qty.	Description
22:1	237-65	1	O-Ring
22:2	237-80	1	O-Ring
23	340-98	1	Fitting-Elbow, 90 DEG
23:1	237-79	1	O-Ring
23:2	237-30	1	O-Ring
24	98-2752	1	Pump-Gear, HYD
25	66-9300	2	Screw-HHF
26	105-0201	2	Hose-Suction, Formed
27	2412-34	4	Clamp-Hose
28	105-0204	2	Strainer Fitting ASM
28:1	237-146	1	O-Ring
29	61-2710	1	Stem-Hose, 90 DEG
29:1	237-117	1	O-Ring
30	100-4202	1	Fitting-90
30:1	237-81	1	O-Ring
31	86-3010	2	Filter-Oil
32	92-5821	1	Head-Filter
33	100-4240	2	Fitting-STR
33:1	237-30	1	O-Ring
33:2	237-81	1	O-Ring
34	322-3	4	Screw-HH
35	3296-16	4	Nut-Lock, NI
36	321-39	4	Screw-HH
37	104-9960	1	Shield-Heat
38	32144-112	1	Screw-HWH
39	100-6114	1	Shield-Heat, Filter



Parts not listed in  
part list are not  
serviced separately

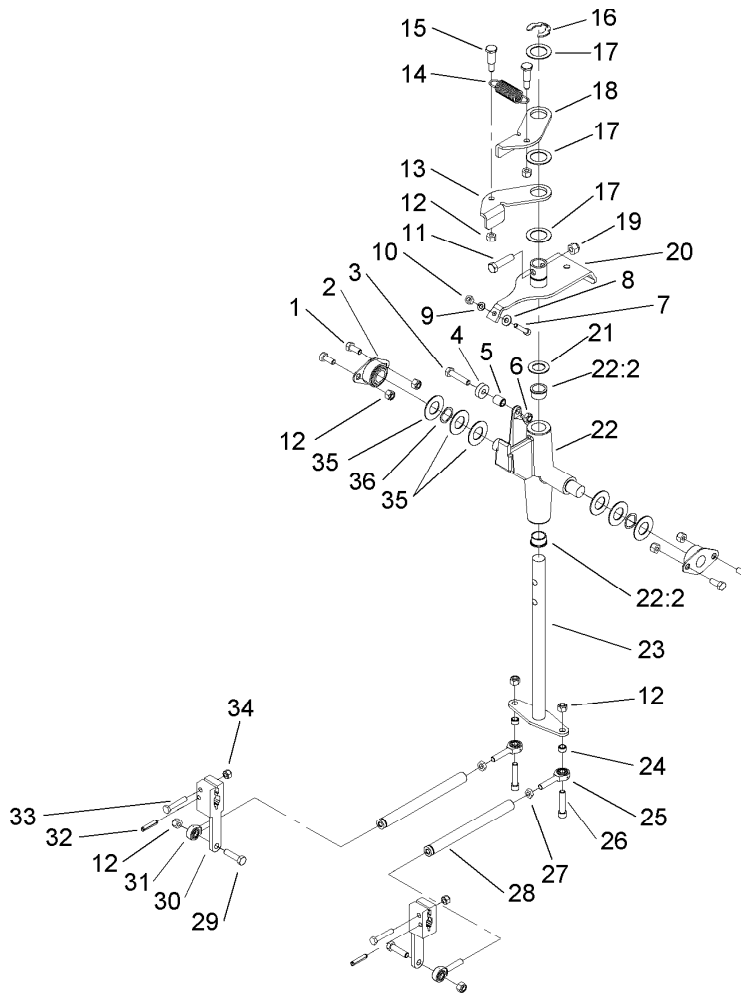
## Hydraulic Gear Pump Assembly No. 98-2752

<i>Ref.</i>	<i>Part Number</i>	<i>Qty.</i>	<i>Description</i>
1	100-4237	1	Kit-Seal, Pump
2	100-4238	1	Key-Square



## Control Panel Assembly

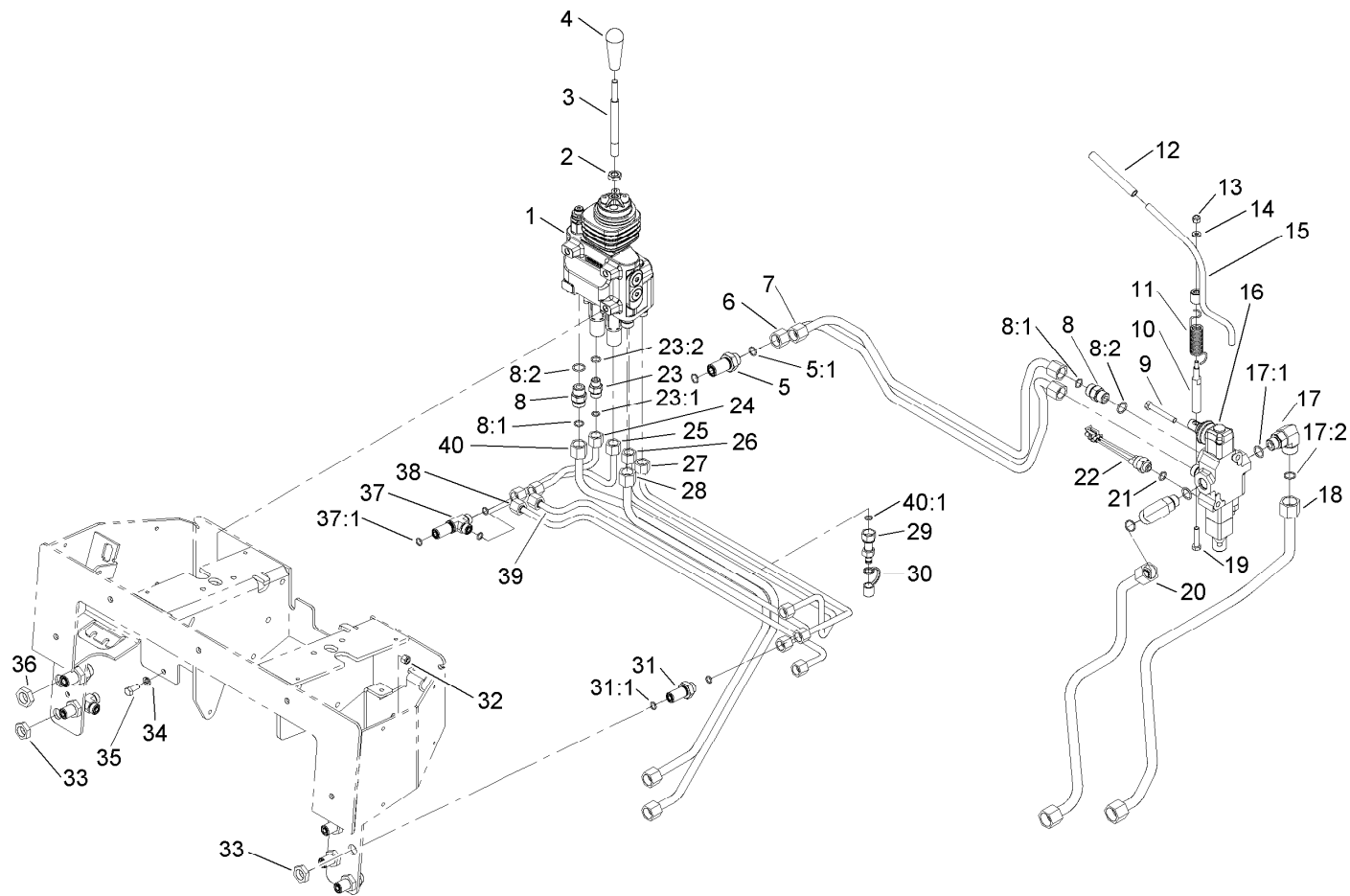
Ref.	Part Number	Qty.	Description	Ref.	Part Number	Qty.	Description
1	105-5824-01	1	RH Panel ASM	26	100-6126-01	1	Auxiliary Stop ASM
2	104-2838	1	Decal-Brake	27	3218-1	1	Nut-Jam
3	104-2837	1	Decal-Loader	28	3296-42	2	Nut-Lock, NI
4	104-2833	1	Rod-Interlock	29	66-0560	1	Bolt-Shoulder
5	104-2844	1	Decal-Interlock	30	3217-5	4	Nut-Hex
6	98-8400-03	1	Reference Bar ASM	31	71-2870	2	Bolt-Eye
7	3234-18	1	Screw-HHF	32	105-1210	1	Spring-Extension
8	104-9970-03	1	Control Handle ASM	33	100-4203	1	Neutral Centering Lever ASM
9	100-6138	1	Decal-Traction	33:2	256-156	2	Bushing-Flange
10	32128-43	1	Nut-Flange	34	323-7	5	Screw-HH
11	3247-6	2	Screw-Set	35	3296-39	7	Nut-Lock, NI
12	3218-3	2	Nut-Jam	36	106-9320-01	1	Control Panel ASM
13	95-1726	4	Screw-Taptite	37	3229-1	2	Screw-CARR
14	100-6144	1	Center Panel ASM	38	3296-6	1	Nut-Lock
14:2	100-6140	1	Decal-Danger	39	3229-20	2	Screw-CARR
15	32144-44	8	Screw-HWH, Thread Roll	40	100-1263	1	Plate-Switch
16	98-8428-01	1	Panel-LH	41	100-1270	1	Switch-Proximity
17	100-6136	1	Decal-Auxiliary	42	3256-51	2	Washer-Flat
18	98-8417-03	1	Reverse Plate ASM	43	32149-7	2	Nut-Keps
19	98-8425	1	Spring-Torsion, LH	44	32149-2	2	Nut-Keps
20	62-1330	2	Bolt-Shoulder	45	3256-22	4	Washer-Flat
21	105-1217	1	Decal	46	3290-307	1	Pin-Cotter
22	98-8424	1	Spring-Torsion, RH	47	88-7200	1	Washer-Flat
23	321-9	1	Screw-HH	48	85-6750	1	Spring-Control
24	321-4	2	Screw-HH				
25	3256-16	2	Washer-Flat				



## Traction Control Assembly

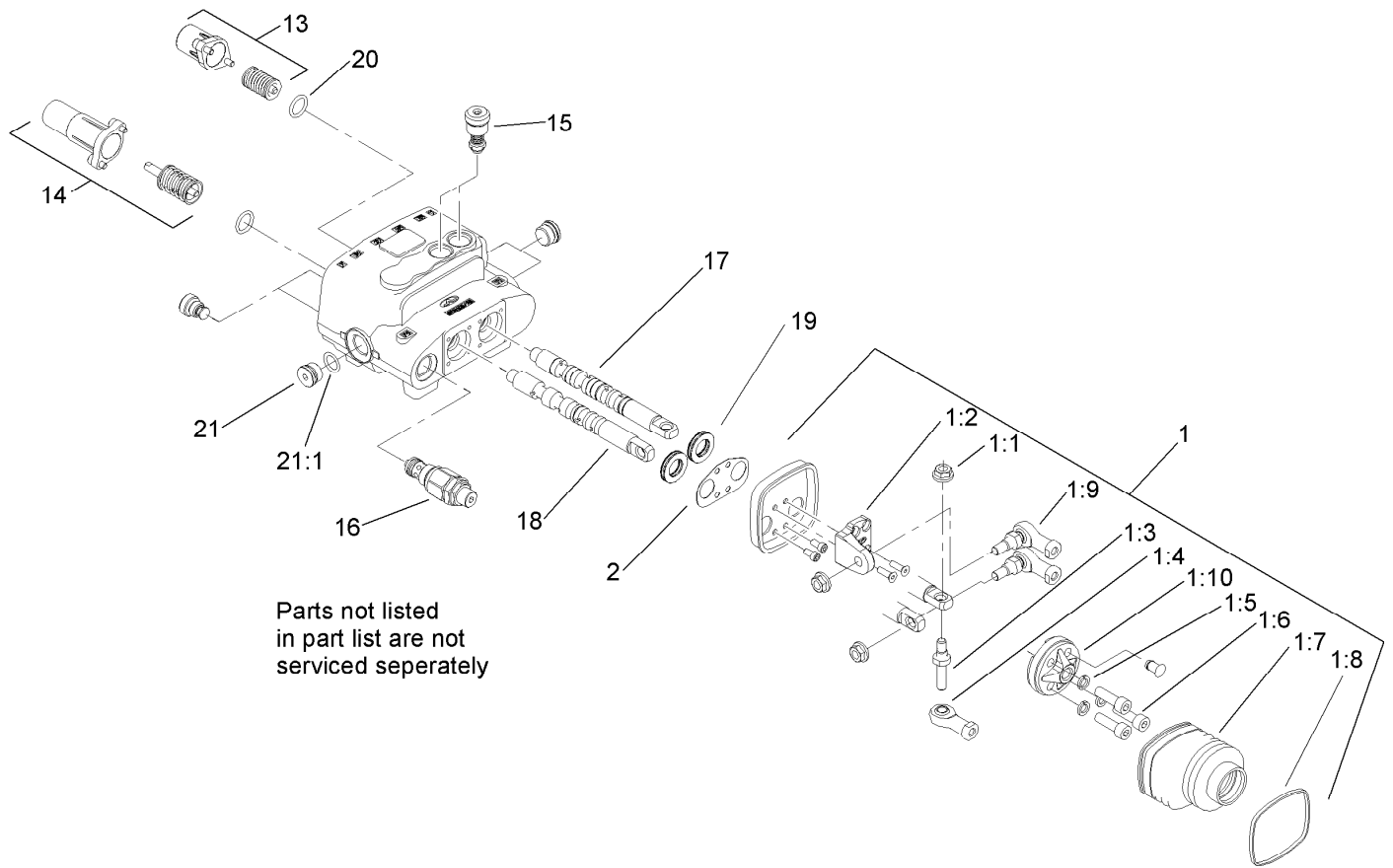
<i>Ref.</i>	<i>Part Number</i>	<i>Qty.</i>	<i>Description</i>	<i>Ref.</i>	<i>Part Number</i>	<i>Qty.</i>	<i>Description</i>
1	322-3	4	Screw-HH	20	104-9968	1	Pivot Lever ASM
2	68-2970	2	Bushing	21	257-8	1	Washer-Thrust
3	322-7	1	Screw-HH	22	106-5737	1	Control Support ASM
4	251-259	1	Bearing-Ball	22:2	256-252	2	Bearing-Flange
5	88-7450	1	Spacer-Lever, Control	23	106-5745	1	Drive Rod ASM
6	3296-47	1	Nut-Lock,NI	24	92-3133	2	Spacer-Lever, Traction
7	3274-51	1	Screw-HSH	25	2411-52	2	Bearing-Rod End, RH
8	3256-22	1	Washer-Flat	26	3274-83	2	Screw-HSH
9	3253-3	1	Washer-Lock	27	3220-2	2	Nut-Jam
10	3217-5	1	Nut-Hex	28	95-3711	2	Rod-Linkage
11	323-8	1	Screw-HH	29	322-6	2	Screw-HH
12	3296-29	10	Nut-Lock, NI	30	106-5739	2	Arm-Control, Pump
13	98-8407	1	Lever-Return, RH	31	2411-53	2	Bearing-Rod End, LH
14	105-1210	1	Spring-Extension	32	100-5440	2	Pin-Spring, Slotted
15	63-2650	2	Screw-Shoulder	33	321-9	2	Screw-HH
16	32151-91	1	Ring-Retaining	34	3296-42	2	Nut-Lock, NI
17	3256-42	3	Washer-Flat	35	3256-39	6	Washer-Flat
18	98-8408	1	Lever-Return, LH	36	95-3703	2	Washer-Spring, Wave
19	3296-39	1	Nut-Lock, NI				





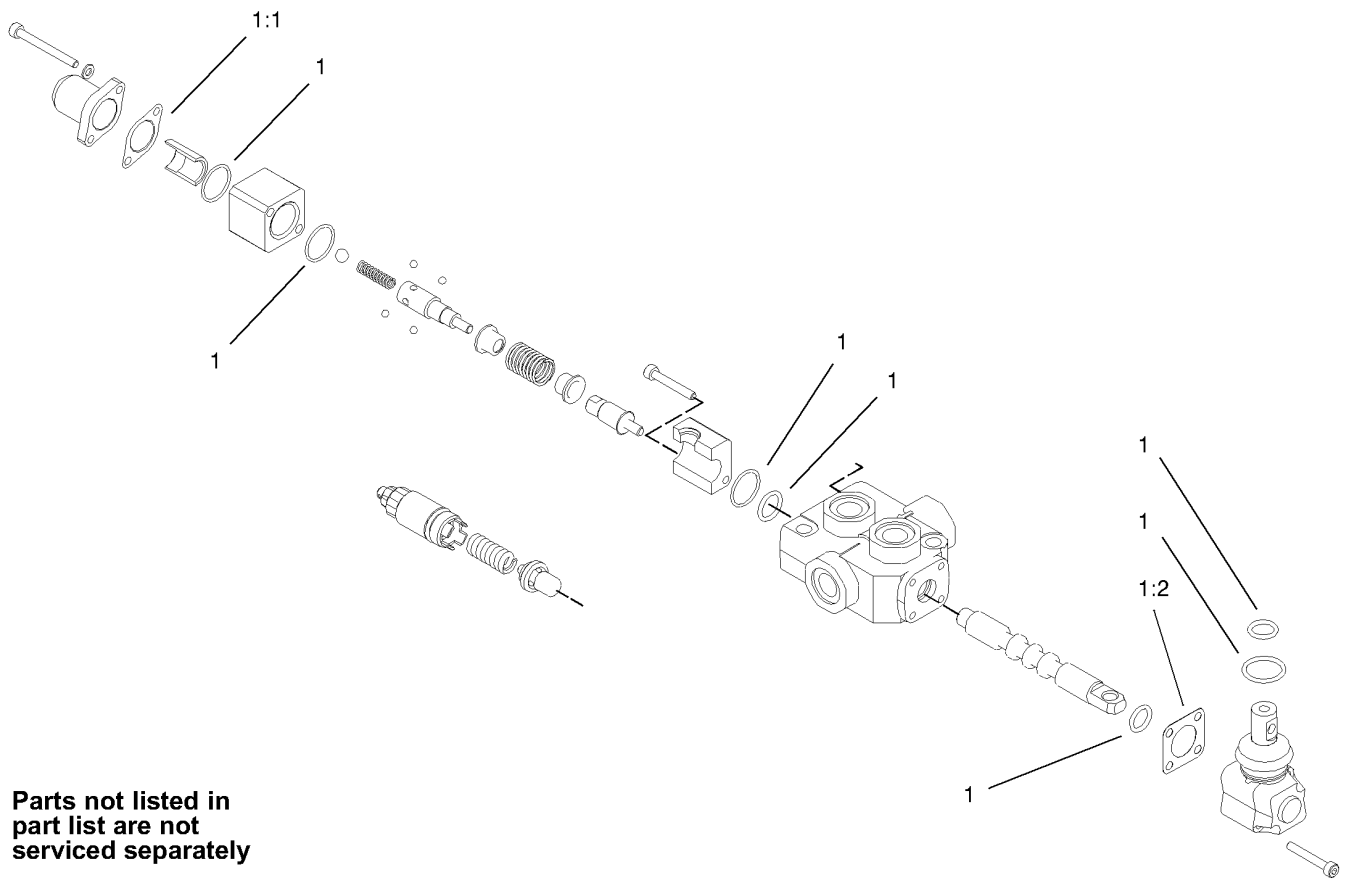
## Principal Hydraulic Assembly

Ref.	Part Number	Qty.	Description	Ref.	Part Number	Qty.	Description
1	106-9307	1	2 Spool Valve ASM	21	237-42	1	O-Ring
2	51-2070	1	Nut	22	72-4310	1	Switch-Ball
3	95-3569	1	Shaft-Handle, Lift/Tilt	23	340-2	4	Fitting-Straight
4	98-0152	1	Knob-Tapered	23:1	237-22	1	O-Ring
5	340-161	2	Fitting-Bulkhead	23:2	237-42	1	O-Ring
5:1	237-30	2	O-Ring	24	106-9315	1	Tube-HYD
6	106-9310	1	Tube-HYD	25	106-9313	1	Tube-HYD
7	106-9311	1	Tube-HYD	26	106-9312	1	Tube-HYD
8	340-4	4	Fitting-Straight	27	106-9314	1	Tube-HYD
8:1	237-30	1	O-Ring	28	106-9318	1	Hydraulic Tube ASM
8:2	237-79	1	O-Ring	29	86-5480	1	Nipple-Test
9	322-11	2	Screw-HH	30	354-79	1	Cap-Dust
10	104-2827	1	Spacer-Hiflo	31	340-71	4	Fitting-Straight, Bulkhead
11	100-6129	1	Spring-Torsion	31:1	237-22	2	O-Ring
12	92-6798	1	Cap-Rod, Tilt	32	3296-29	2	Nut-Lock, NI
13	3296-42	1	Nut-Lock, NI	33	340-70	6	Nut-Lock
14	3256-16	1	Washer-Flat	34	3253-4	3	Washer-Lock
15	100-4246	1	Auxiliary Lever ASM	35	322-3	3	Screw-HH
16	104-2831	1	1 Spool Valve ASM	36	340-127	2	Nut-Bulkhead
17	340-153	2	Fitting-Elbow, 90 DEG	37	340-68	2	Fitting-Tee, Bulkhead
17:1	237-79	1	O-Ring	37:1	237-22	3	O-Ring
17:2	237-151	1	O-Ring	38	106-9316	1	Tube-HYD
18	106-9309	1	Tube-HYD	39	106-9317	1	Tube-HYD
19	48-7740	1	Screw	40	106-9319	1	Hydraulic Tube ASM
20	104-5707	1	Tube-HYD	40:1	237-22	1	O-Ring



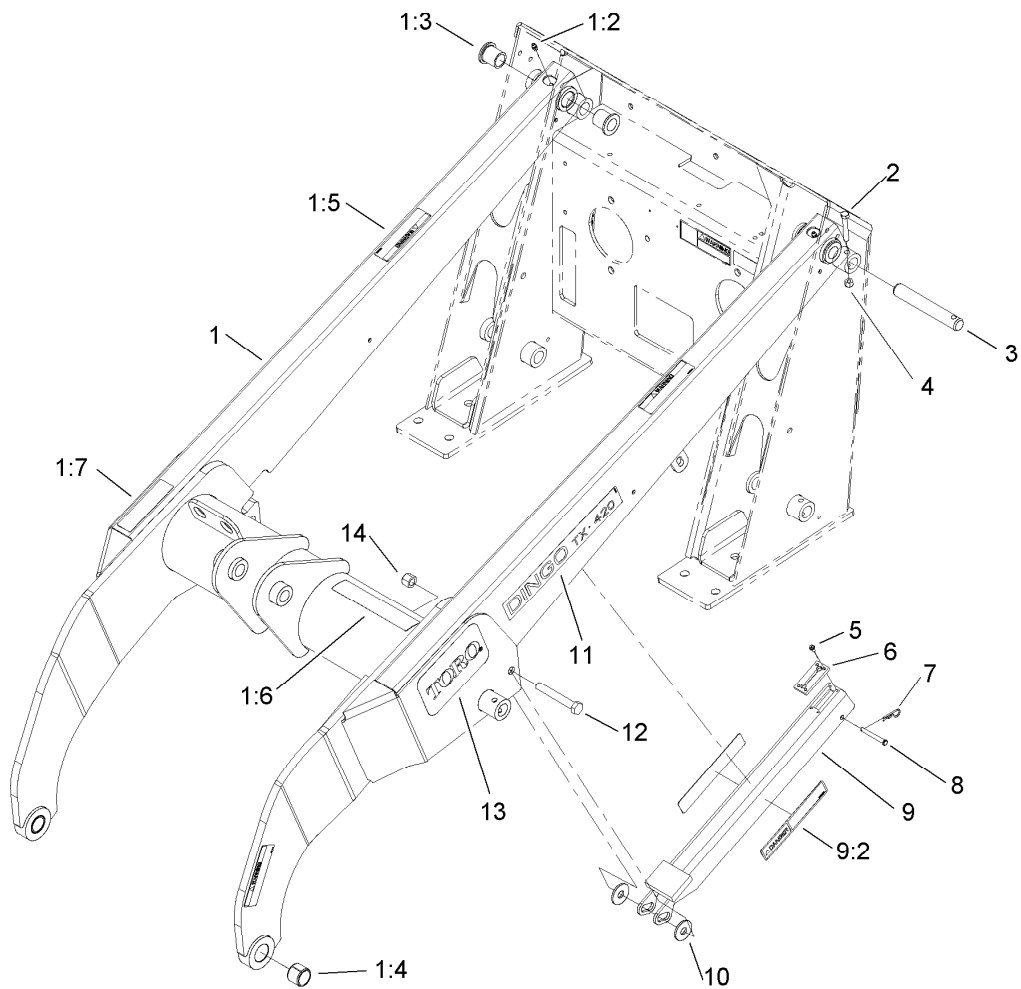
## Two Spool Valve Assembly No. 106-9307

<i>Ref.</i>	<i>Part Number</i>	<i>Qty.</i>	<i>Description</i>
1	106-7724	1	Joystick Kit
1:1	98-0668	3	Nut
1:2	106-7726	1	Pivot-Joystick
1:3	106-7727	1	Pin-Joystick
1:4	106-7728	1	End-Rod
1:5	42-9850	3	Washer-Lock, Spring
1:6	98-5828	3	Screw-HSH
1:7	106-7729	1	Bellow-Rubber
1:8	3290-379	1	Tie-Cable
1:9	106-7730	2	Joint-Joystick
1:10	106-7731	1	Holder-Articulated
2	106-7725	1	Seal-Joystick
13	106-7732	1	Valve Spring Kit
14	106-7733	1	Detent Spring Kit
15	106-7734	2	Valve-Relief
16	106-7735	1	Valve-Relief, Main
17	106-7736	1	Spool-Valve
18	106-7737	1	Spool-Valve
19	106-7738	2	Seal-Valve, Spool
20	106-7719	2	Seal-Valve
21	353-988	3	Plug-Hex
21:1	237-79	1	O-Ring



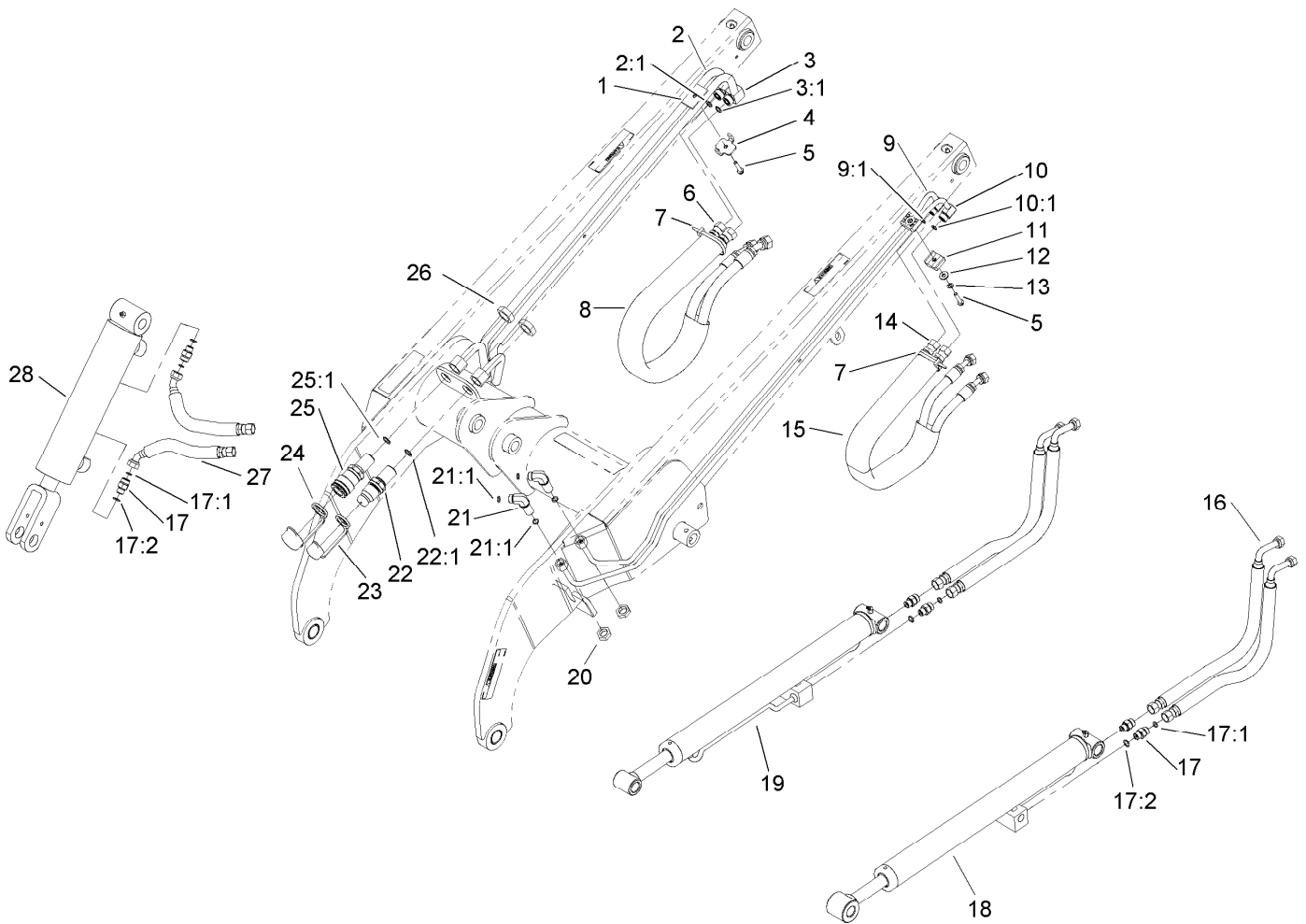
## One Spool Valve Assembly No. 104-2831

<i>Ref.</i>	<i>Part Number</i>	<i>Qty.</i>	<i>Description</i>
1	99-4391	1	Seal Kit
1:1	99-3074	1	Gasket
1:2	99-3075	3	Gasket



## Loader Arm Assembly

Ref.	Part Number	Qty.	Description
1	106-9350	1	Loader Arm ASM
1:2	302-5	2	Fitting-Grease
1:3	95-3577	4	Bushing
1:4	98-4871	2	Bushing-Tension
1:5	100-6141	4	Decal-Pinch
1:6	100-6132	1	Decal-Caution
1:7	100-6101	1	Decal-Caution
2	322-10	7	Screw-HH
3	104-2849	7	Pin-Locking
4	3296-29	7	Nut-Lock, NI
5	32144-107	4	Screw
6	98-0083	1	Stop-Rubber
7	3290-250	1	Pin-Cotter
8	283-48	1	Pin-Clevis
9	100-6105	1	Locking Arm ASM
9:2	100-6135	2	Decal-Danger
10	68-1440	2	Washer-Rubber
11	105-8430	2	Decal
12	325-14	1	Screw-HH
13	105-1217	2	Decal
14	3296-23	1	Nut-Lock, NI

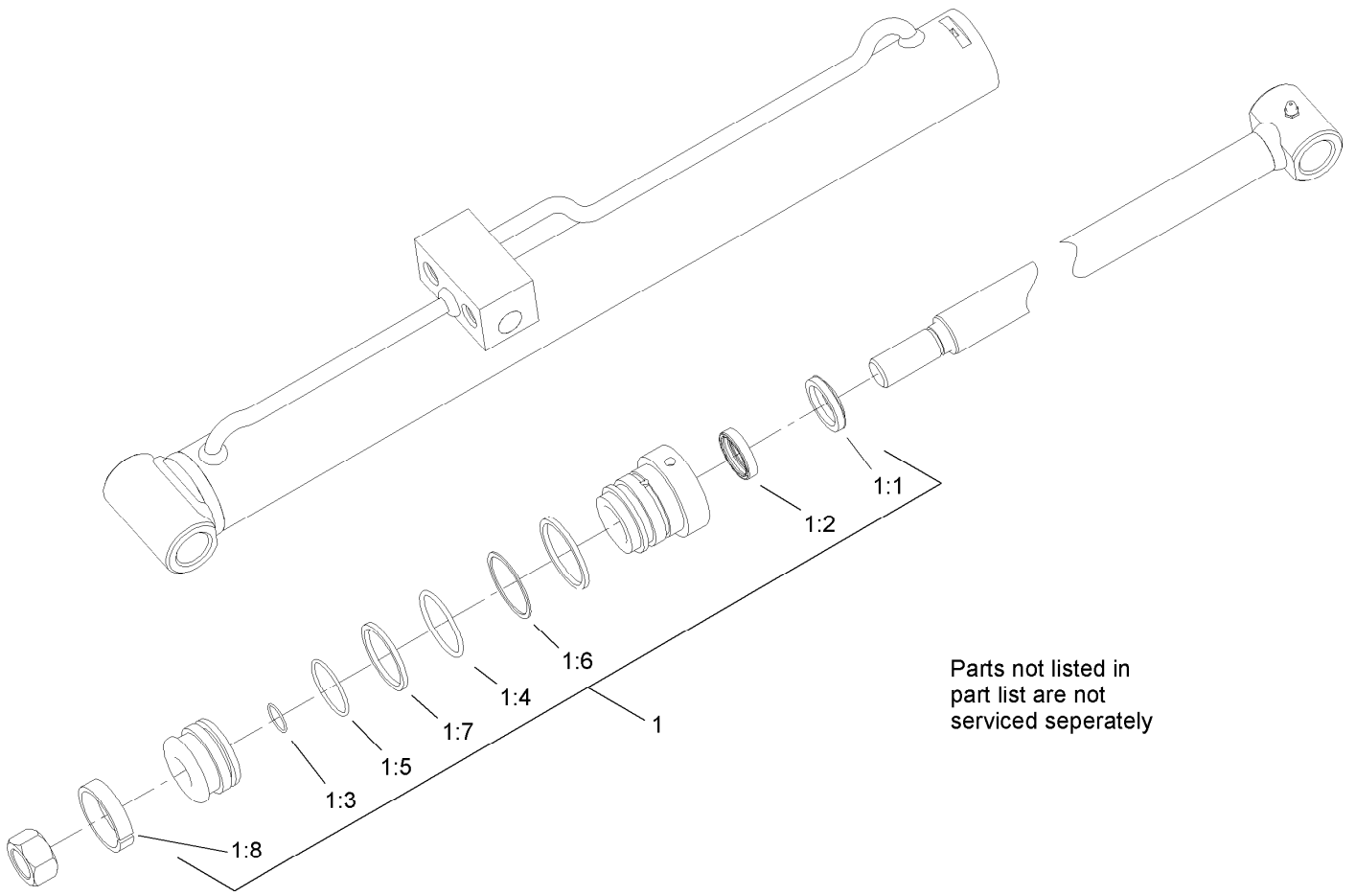


## Loader Arm Hydraulic Assembly

Ref.	Part Number	Qty.	Description	Ref.	Part Number	Qty.	Description
1	106-9366	1	Spacer-Hardline	17	340-2	6	Fitting-Straight
2	106-9362	1	HYD Tube ASM	17:1	237-22	1	O-Ring
2:1	237-30	1	O-Ring	17:2	237-42	1	O-Ring
3	106-9363	1	HYD Tube ASM	18	104-6267	1	LH Lift Cylinder ASM
3:1	237-30	1	O-Ring	19	104-6269	1	RH Lift Cylinder ASM
4	98-0237	1	Plate-Clamp, Tube	20	340-70	2	Nut-Lock
5	32144-110	2	Screw-HWH	21	340-154	2	Union-Bulkhead
6	98-0242	2	Hose-HYD	21:1	237-22	2	O-Ring
7	3290-378	2	Tie-Cable	22	105-8395	1	Bulkhead Nipple ASM
8	100-6128	1	Sleeve-Protective	22:1	237-65	1	O-Ring
9	106-9364	1	HYD Tube ASM	22:2	100-6120	1	Seal Kit ●
9:1	237-22	1	O-Ring	23	100-8815	1	Cap-Dust, Nipple
10	106-9365	1	HYD Tube ASM	24	100-8816	1	Cap-Dust, Coupler
10:1	237-22	1	O-Ring	25	105-8394	1	Bulkhead Coupler ASM
11	56-7973	2	Clamp-Tube	25:1	237-65	1	O-Ring
12	3256-2	1	Washer-Flat	25:2	105-8396	1	Seal Kit ●
13	3253-3	1	Washer-Lock	26	340-74	2	Nut-Lock, Bulkhead
14	98-0213	2	Hose-HYD	27	98-0207	2	Hose-HYD
15	100-6127	1	Sleeve-Protective	28	105-8370	1	Tilt Cylinder ASM
16	98-0216	4	Hose-HYD				

● Not illustrated

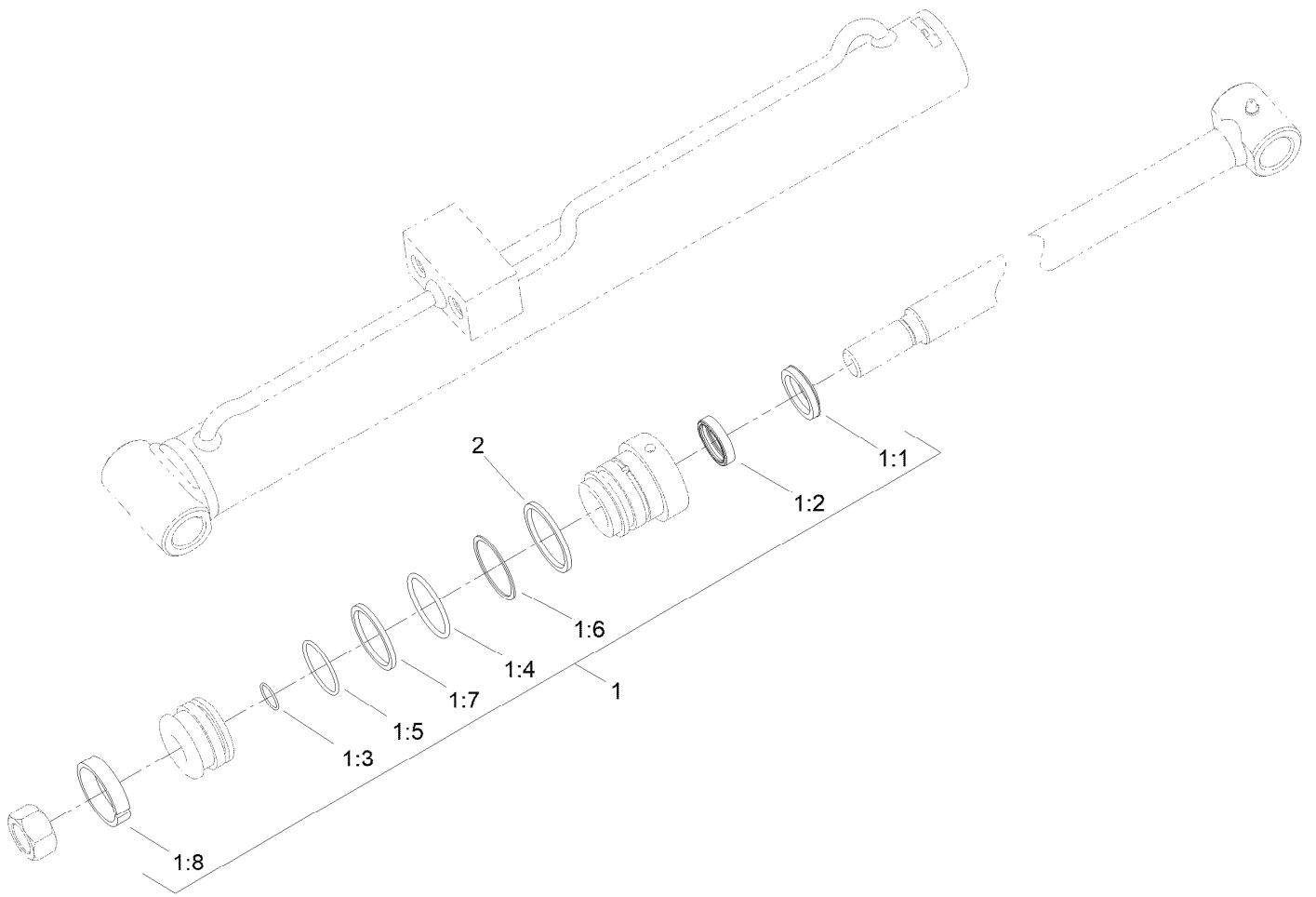
■ Not serviced separately



## Left Hand Hydraulic Lift Cylinder Assembly No. 104-6267

<i>Ref.</i>	<i>Part Number</i>	<i>Qty.</i>	<i>Description</i>
1	104-6268	1	Seal Kit
1:1		1	Wiper ●
1:2		1	Seal ASM ●
1:3		1	Seal-Dust ●
1:4		1	Seal-Dust ●
1:5		1	Seal-Dust ●
1:6		1	Back-Up ●
1:7		1	Seal ASM ●
1:8		1	Ring-Wear ●

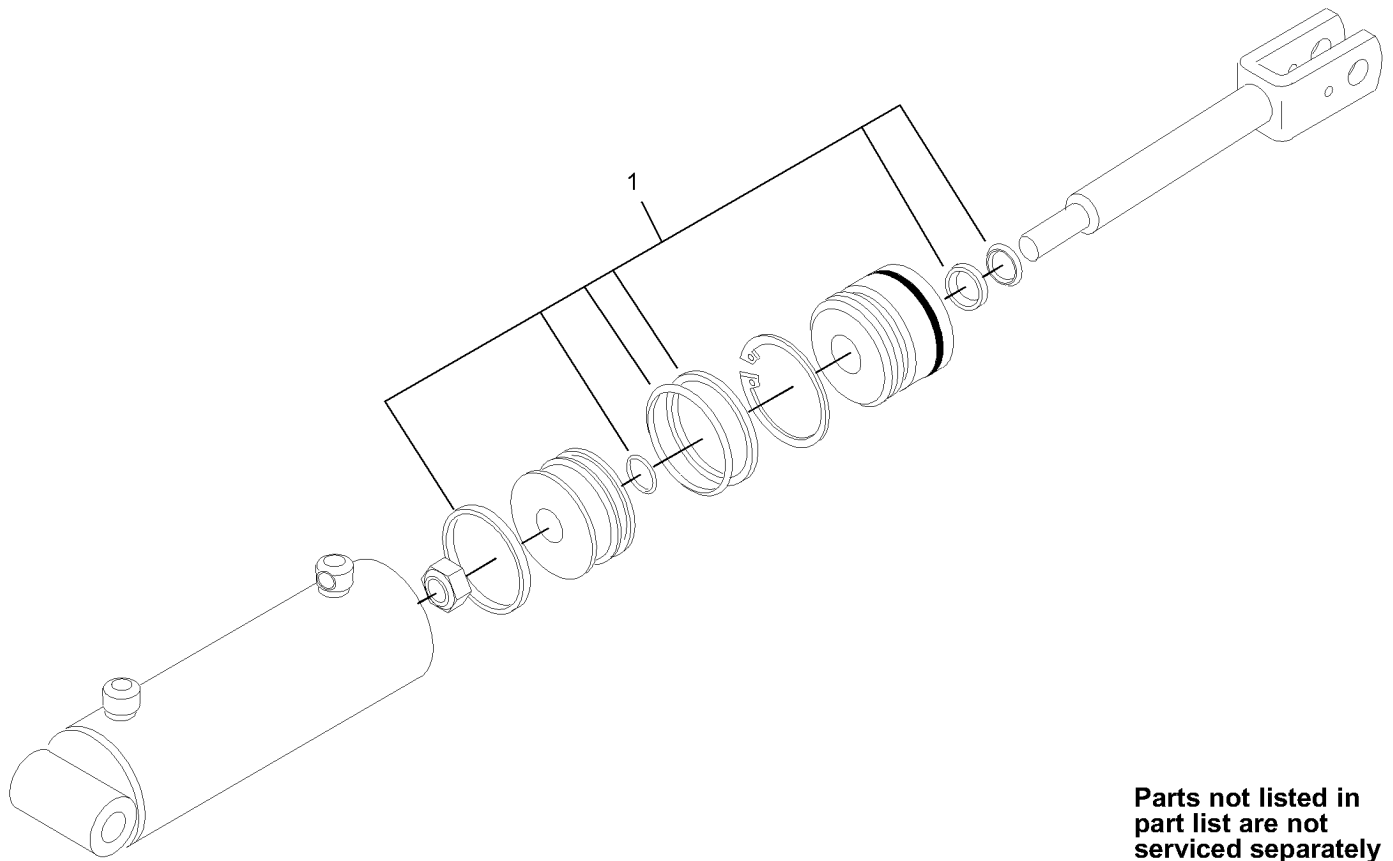
● Not serviced separately



## Right Hand Hydraulic Lift Cylinder Assembly No. 104-6269

<i>Ref.</i>	<i>Part Number</i>	<i>Qty.</i>	<i>Description</i>
1	104-6268	1	Seal Kit
1:1		1	Wiper ●
1:2		1	Seal ASM ●
1:3		1	Seal-Dust ●
1:4		1	Seal-Dust ●
1:5		1	Seal-Dust ●
1:6		1	Back-Up ●
1:7		1	Seal ASM ●
1:8		1	Ring-Wear ●
2	161-7281	1	Ring - Retaining

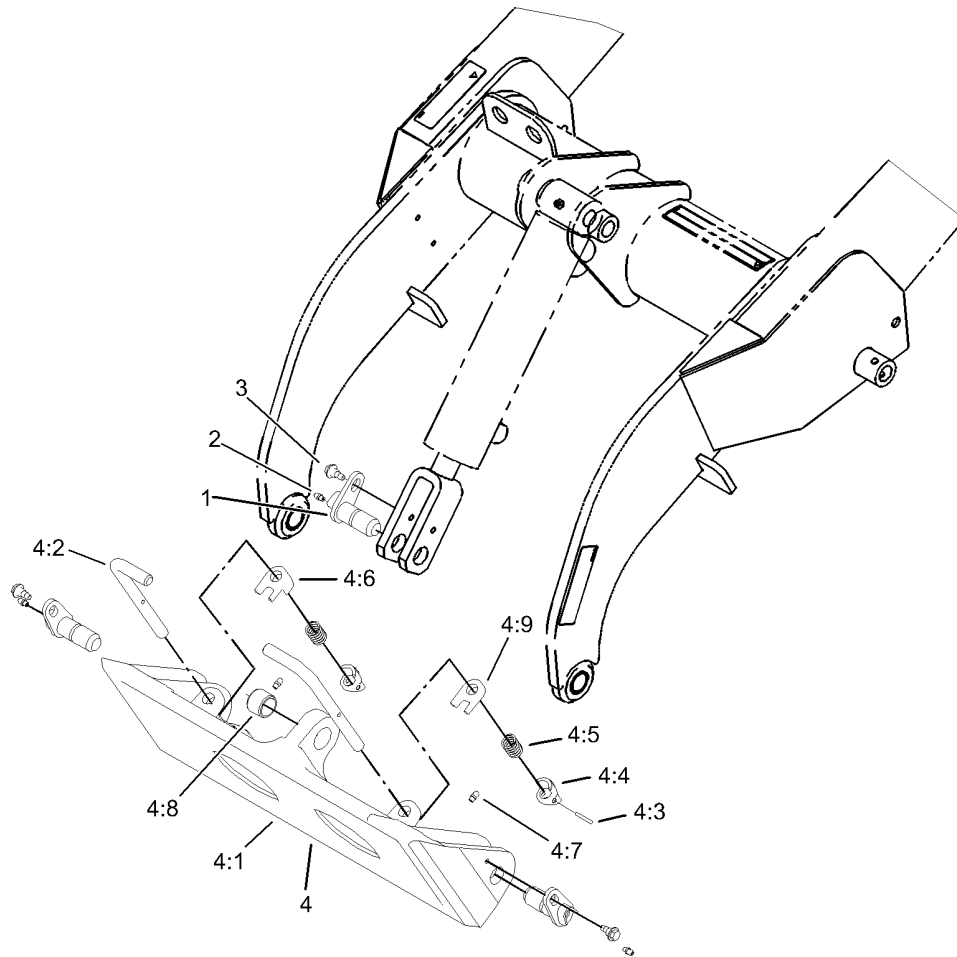
● Not serviced separately



## Hydraulic Cylinder Assembly No. 105-8370

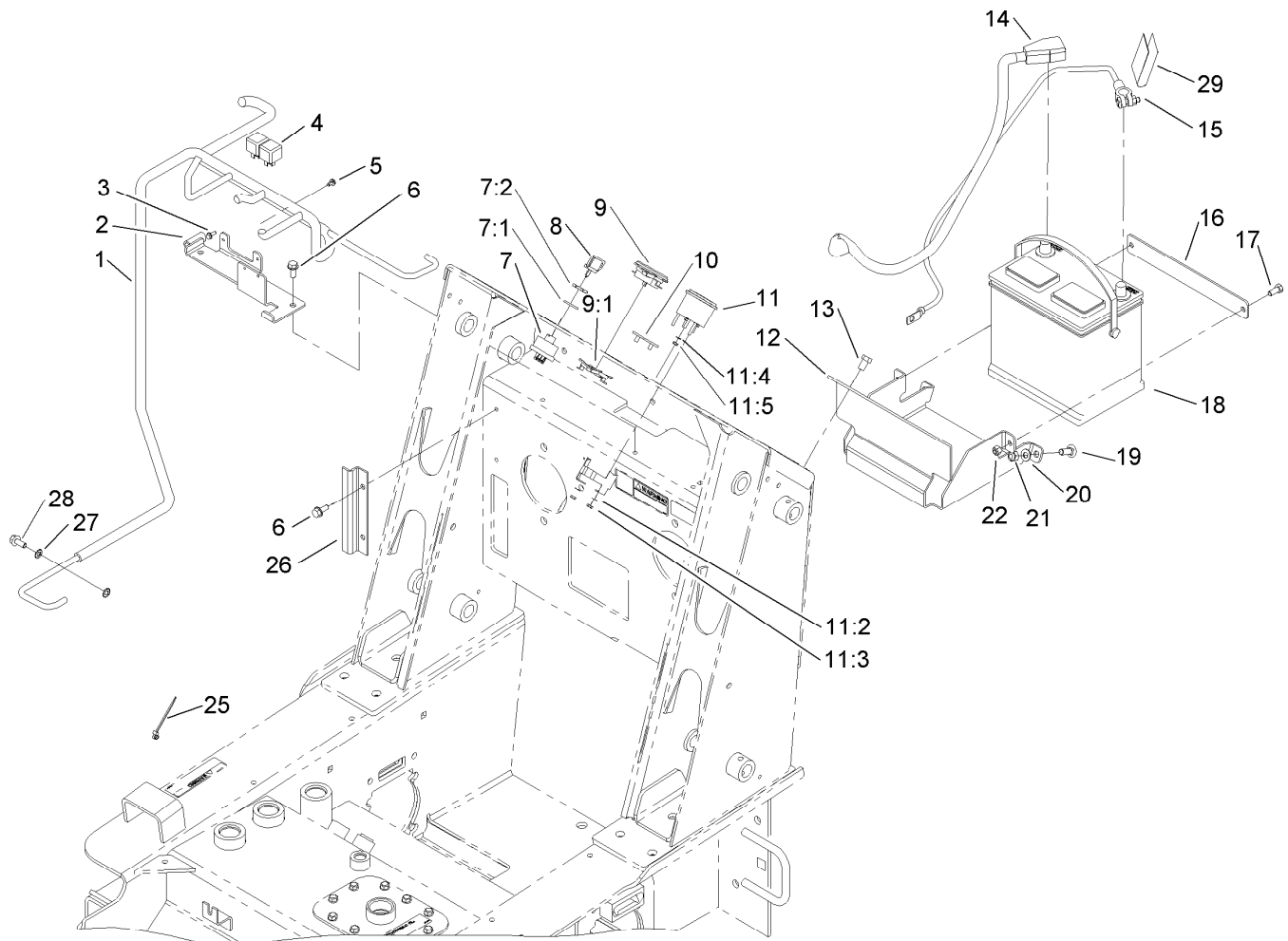
<i>Ref.</i>	<i>Part Number</i>	<i>Qty.</i>	<i>Description</i>
1	106-7567	1	Seal Kit





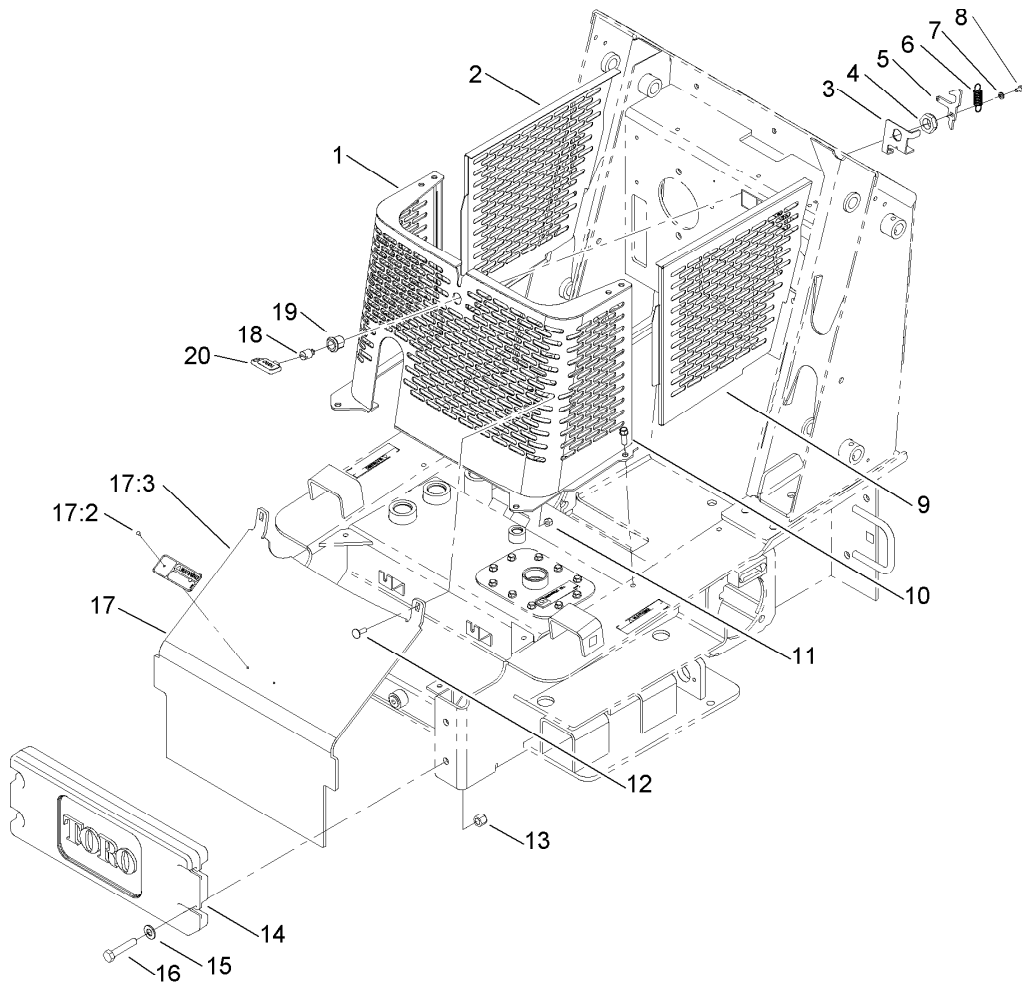
## Quick Attach Assembly

<i>Ref.</i>	<i>Part Number</i>	<i>Qty.</i>	<i>Description</i>
1	99-1414	3	Pin-Pivot
2	302-5	3	Fitting-Grease
3	99-5105	3	Screw-Shoulder
4	105-8364	1	Quick Attach ASM
4:1	105-0245-03	1	Mount-Attach, Quick
4:2	105-8367	2	Pin-Locking
4:3	3285-1	2	Pin-Grooved
4:4	105-0246	2	Cam
4:5	98-4694	2	Spring-Compression
4:6	104-5909	1	Stop-RH
4:7	302-5	2	Fitting-Grease
4:8	98-4871	1	Bushing-Tension
4:9	104-5903	1	Stop-LH



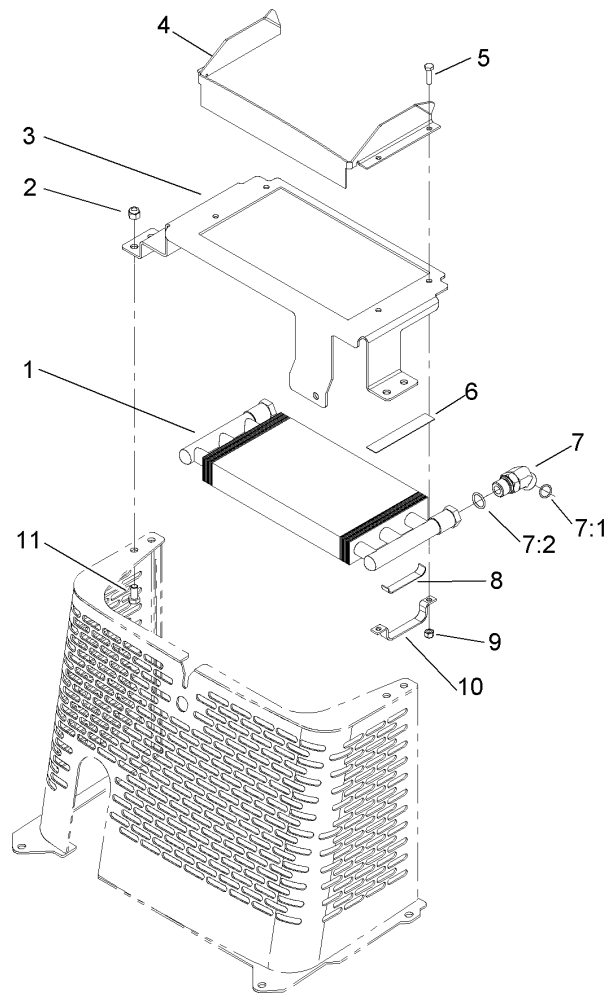
## Electrical System Assembly

<i>Ref.</i>	<i>Part Number</i>	<i>Qty.</i>	<i>Description</i>	<i>Ref.</i>	<i>Part Number</i>	<i>Qty.</i>	<i>Description</i>
1	106-5744	1	Harness-Wire	12	105-0370-01	1	Tray-Mounting, Battery
2	106-2558-03	1	Fuse/Relay Bracket ASM	13	32144-69	2	Screw-HWHTF
3	32144-112	2	Screw-HWH	14	106-5707	1	Cable-Battery, Positive
4	98-7249	2	Relay	15	106-5708	1	Cable-Battery, Negative
5	104-2065	2	Screw-HWH	16	105-0371-01	1	Clamp-Battery
6	32144-70	4	Screw-HWHTF	17	322-3	2	Screw-HH
7	88-9830	1	Key Switch ASM	18	104-9979	1	Battery
7:1	3254-5	1	Washer-Lock	19	3231-22	2	Screw-CARR
7:2	218-461	1	Nut-HH	20	3256-38	2	Washer-Flat
8	63-8360	3	Key-Ignition	21	3296-39	2	Nut-Lock, NI
9	104-7427	1	Inductive Hourmeter ASM	22	3296-29	2	Nut-Lock, NI
9:1	104-4234	1	Clip-Mounting	25	3290-381	3	Tie-Cable
10	99-7420	1	Plug-Hole	26	100-6117-01	1	Shield-Wiring
11	66-2940	1	Gauge-Fuel	27	3255-8	2	Washer-Lock
11:2	3254-1	2	Washer-Lock, Int	28	33104-020	1	Screw-HHF
11:3	3217-27	2	Nut-Hex	29	107-9309	1	Decal-Instructions, Charging
11:4	3255-24	3	Washer-Lock / EXT				
11:5	3217-16	3	Nut-Hex				



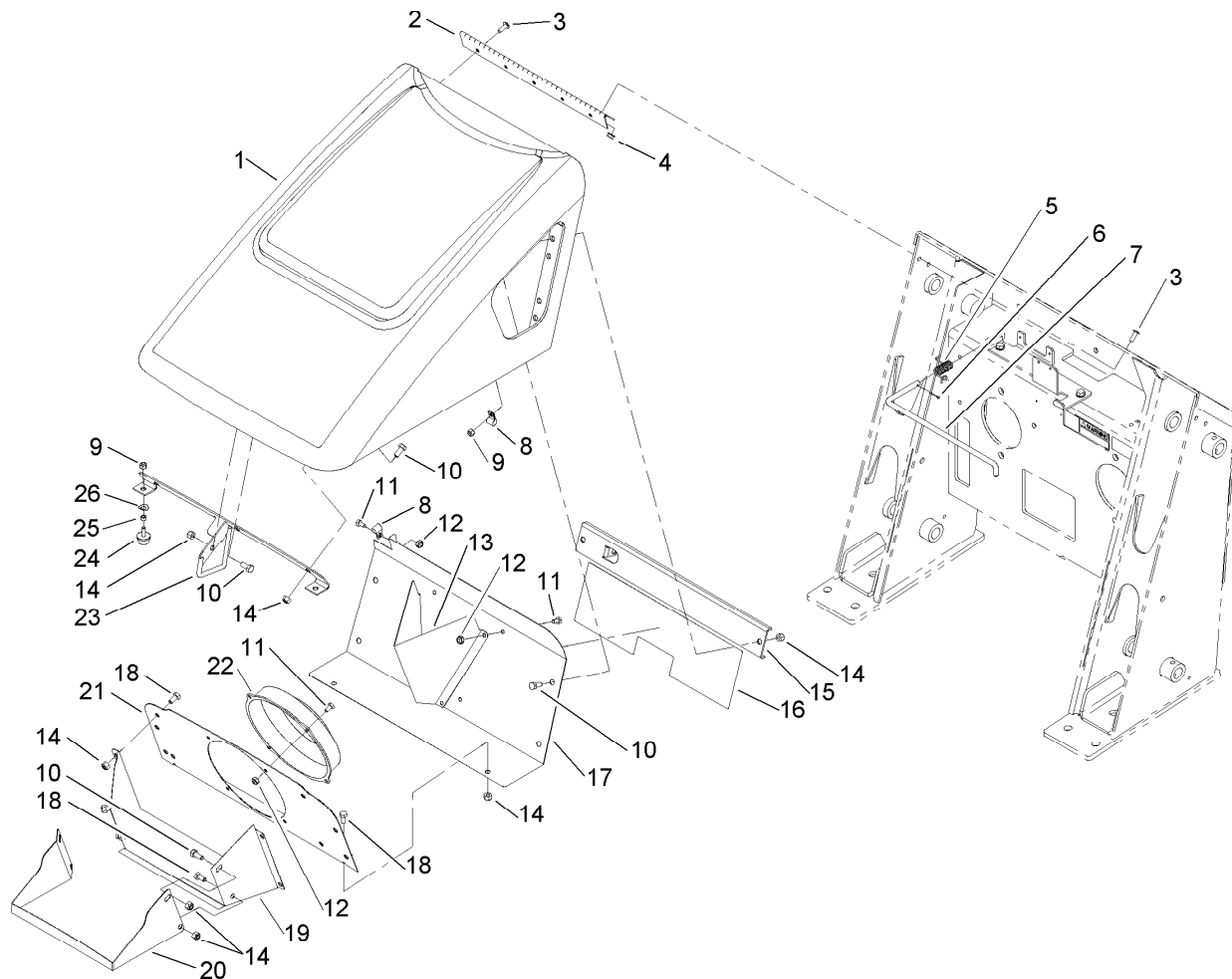
## Grill Assembly

<i>Ref.</i>	<i>Part Number</i>	<i>Qty.</i>	<i>Description</i>
1	106-5721-03	1	Grill ASM
2	106-5727-03	1	Panel-Side, RH
3	106-5729-03	1	Bracket-Latch
4	3296-60	1	Nut-Lock, NI
5	106-5728	1	Cam-Latch
6	104-0869	1	Spring
7	3253-3	1	Washer-Lock
8	321-2	1	Screw-HH
9	106-5726-03	1	Panel-Side, LH
10	95-1726	4	Screw-Taptite
11	3296-29	2	Nut-Lock, NI
12	3230-28	2	Screw-CARR
13	3296-23	4	Nut-Lock, NI
14	99-6166-01	1	Counterweight-Front
15	3256-26	4	Washer-Flat
16	325-10	4	Screw-HH
17	105-0395	1	Heat Shield ASM
17:2	80-8290	1	Plate-Surface, Hot
17:3	3269-31	2	Rivet-Pop
18	106-9336	1	Insert-Latch
19	106-9335	1	Housing-Latch
20	99-8970	1	Key-Latch, Hood



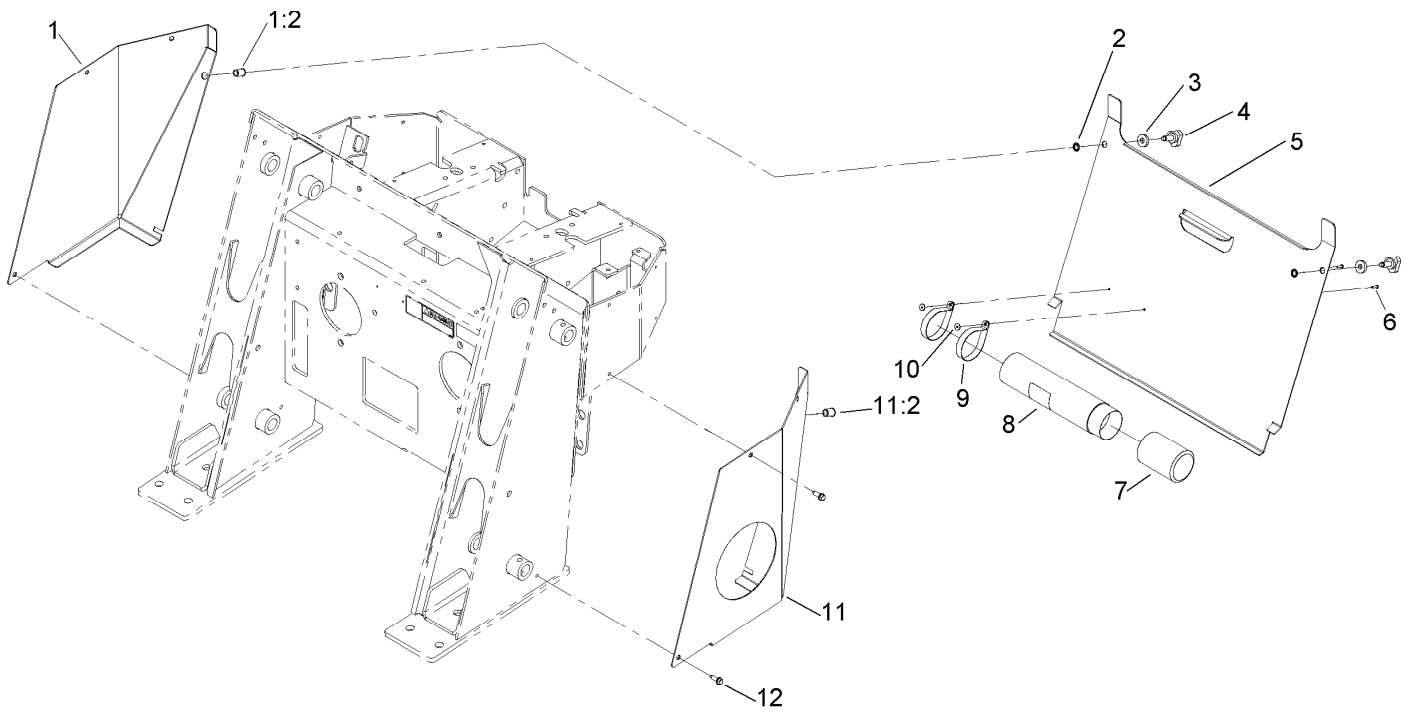
## Hydraulic Oil Cooler Assembly

<i>Ref.</i>	<i>Part Number</i>	<i>Qty.</i>	<i>Description</i>
1	105-0352	1	Exchanger-Heat
2	3296-39	4	Nut-Lock, NI
3	106-5716-03	1	Bracket-Mounting, Cooler
4	104-2802-03	1	Shield-Cooler
5	321-6	4	Screw-HH
6	94-9566	2	Pad-Footrest
7	340-14	2	Fitting-HYD, 45 DEG
7:1	237-65	1	O-Ring
7:2	237-80	1	O-Ring
8	104-2816	2	Pad-Support
9	3296-42	4	Nut-Lock, NI
10	104-2803	2	Support-Cooler
11	323-4	4	Screw-HH



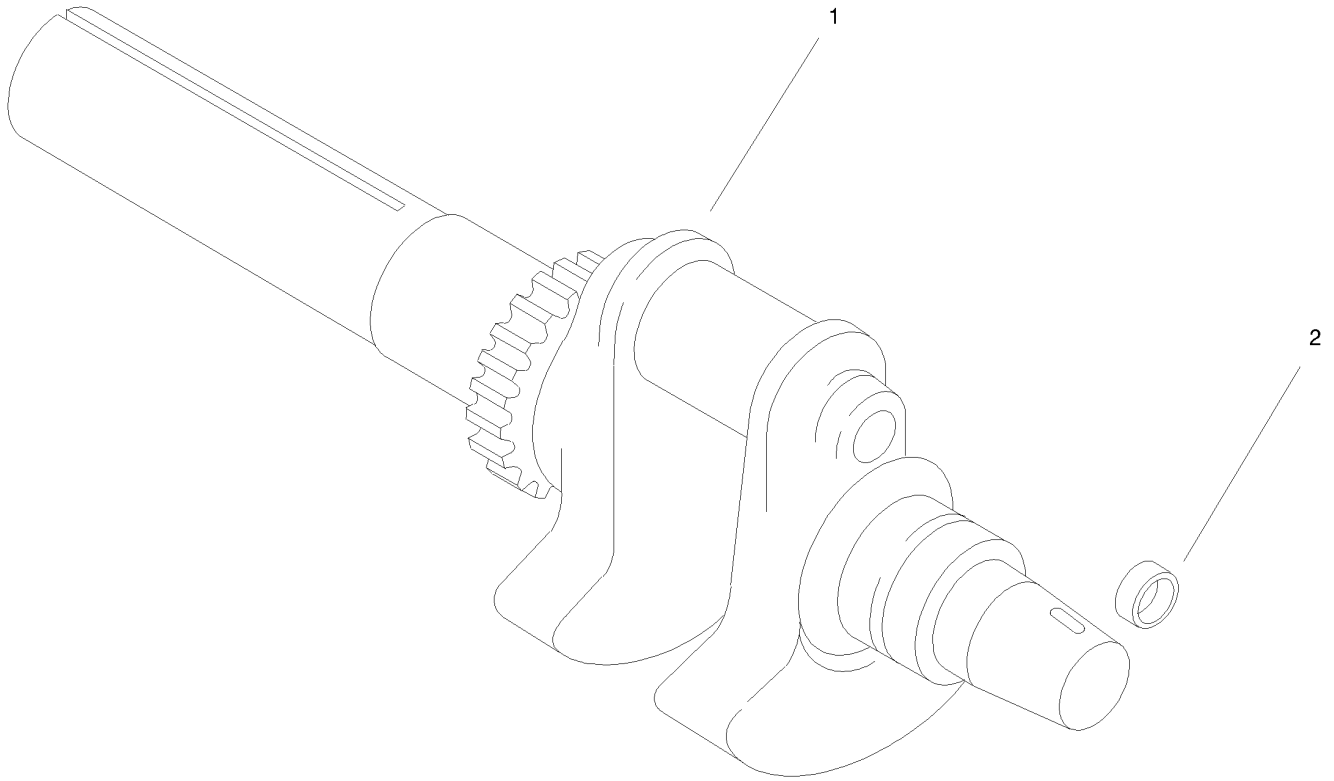
## Hood Assembly

<i>Ref.</i>	<i>Part Number</i>	<i>Qty.</i>	<i>Description</i>	<i>Ref.</i>	<i>Part Number</i>	<i>Qty.</i>	<i>Description</i>
1	106-2590	1	Engine Hood ASM	14	3296-29	22	Nut-Lock, NI
2	100-1284	1	Hinge-Hood	15	106-2555-03	1	Bracket-Support, Hood
3	9114604	9	Screw-Head, Truss	16	106-9306	1	Decal-Service
4	32128-33	4	Nut-HF	17	106-2596-03	1	Bracket-Fan, Back
5	106-2584	1	Spring-Torsion	18	322-2	8	Screw-HH
6	3272-6	1	Pin-Cotter	19	106-2597-03	1	Shroud-Fan
7	106-2554	1	Rod-Support, Hood	20	104-2813-03	1	Shroud-Fan, Front
8	2412-91	2	Clamp	21	106-2595-03	1	Bracket-Baffle, Fan
9	3296-42	7	Nut-Lock, NI	22	104-2809	1	Fan
10	322-3	14	Screw-HH	23	106-5717-03	1	Rod Latch ASM
11	321-2	9	Screw-HH	24	1-523420	2	Bumper
12	3296-16	9	Nut-Lock, NI	25	106-9308	2	Spacer
13	104-2811-03	1	Baffle-Fan	26	3290-301	2	Washer-Spring



## Rear Access Cover Assembly

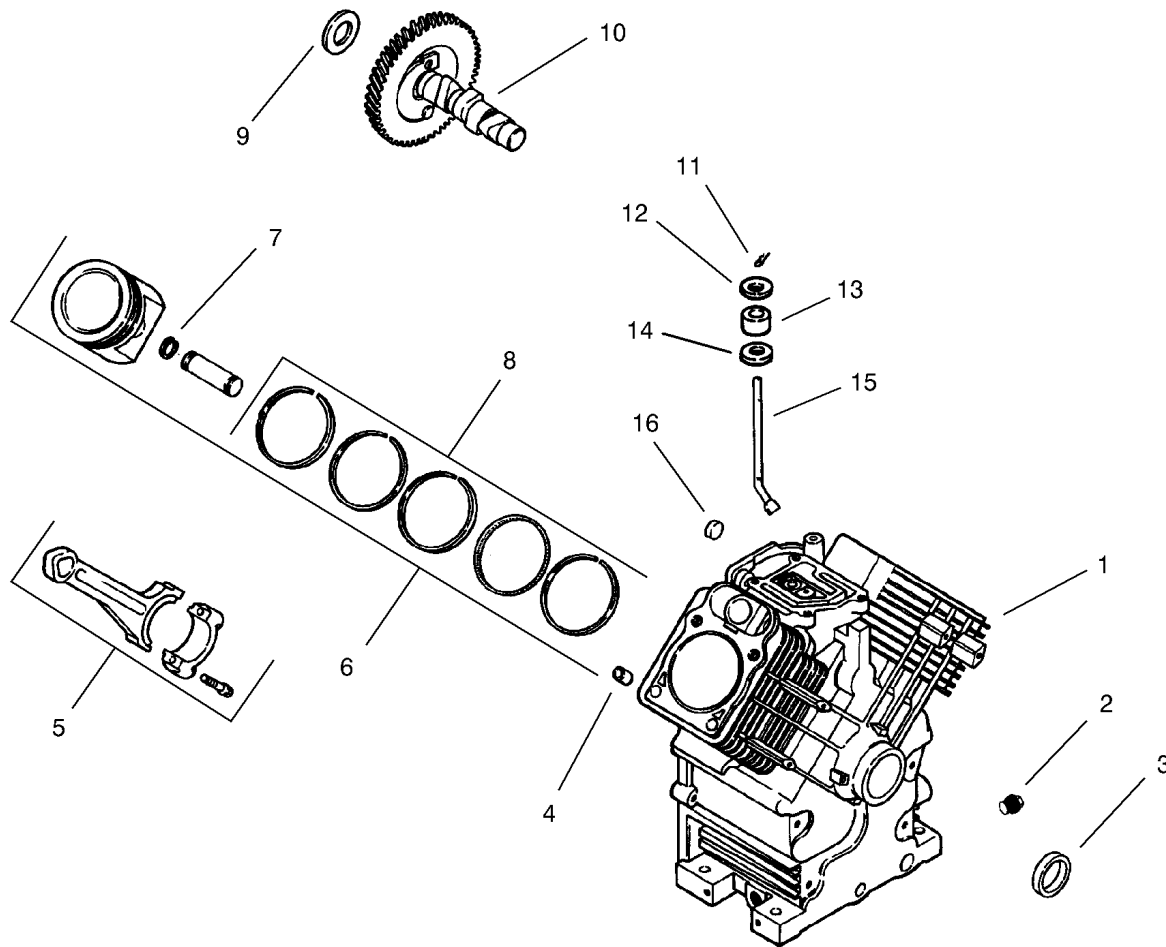
<i>Ref.</i>	<i>Part Number</i>	<i>Qty.</i>	<i>Description</i>
1	106-9342	1	RH Rear Cover Support ASM
1:2	32148-9	1	Nut-Clinch
2	32151-72	2	Ring-Retaining
3	106-0565	2	Washer-Rubber
4	95-9648	2	Knob
5	106-9339-01	1	Cover-Access, Rear
6	3269-17	2	Rivet-Pop
7	104-7048	1	Cap-Housing
8	104-7050	1	Tube-Manual
9	2412-120	2	Clamp-R
10	3269-10	2	Washer-Back
11	106-9343	1	LH Rear Cover Support ASM
11:2	32148-9	1	Nut-Clinch
12	32144-44	6	Screw-HWH, Thread Roll



## Crankshaft Assembly Kohler CH20S-64656

<i>Ref.</i>	<i>Part Number</i>	<i>Qty.</i>	<i>Description</i>
1	24 014 90-S	1	Crankshaft ●
2	52 139 09-S	1	Plug-Cup ●

● Obtain Parts From Kohler

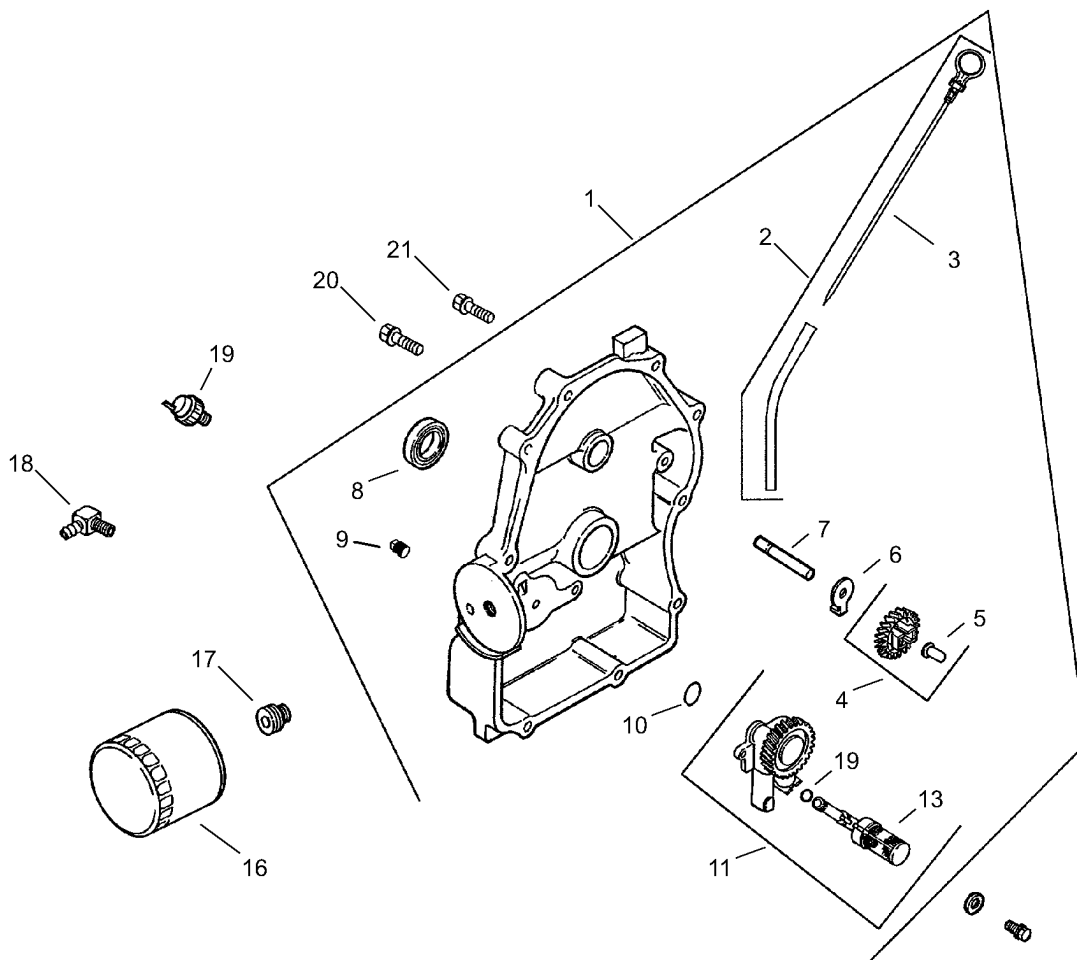


## Crankcase Assembly Kohler CH20S-64656

Ref.	Part Number	Qty.	Description	Ref.	Part Number	Qty.	Description
1		1	Crankcase (Use Miniblock 24 782 15) ●	12 422 07-S	0	Shim-Camshaft (White .028) ●	
2	52 139 02-S	2	Plug-Pipe Head, 3/8 ●	12 422 08-S	0	Shim-Camshaft (Blue .03) ●	
3	24 032 01-S	1	Seal-Oil ●	12 422 10-S	0	Shim-Camshaft (Yellow .034) ●	
4	12 380 13-S	6	Pin, Dowel Locating ●	12 422 11-S	0	Shim-Camshaft (Green .036) ●	
5	24 067 13-S	2	Rod-Connecting (Standard) ●	12 422 12-S	0	Shim-Camshaft (Gray .038) ●	
	24 067 14-S	2	Rod-Connecting (.25) ●	10	24 012 10-S	1	Camshaft Kit ●
6	24 874 01-S	2	Piston W/Ring Set (Std.) ●	11	24 018 09-S	1	Retainer-Ring ●
	24 874 02-S	2	Piston W/Ring Set (.25) ●	12	M-931010-S	1	Washer-Flat (9MM) ●
	24 874 03-S	2	Piston W/Ring Set (.50) ●	13	28 032 09-S	1	Seal-Cross Shaft, Governor ●
	24 874 14-S	2	Piston ASM (.08) ●	14	24 468 15-S	1	Washer-Flat (11/32) ●
7	24 018 01-S	4	Retainer-Pin, Piston ●	15	24 144 33-S	1	Shaft-Cross, Governor ●
8	24 108 01-S	2	Set-Ring (STD) ●	16	52 139 09-S	1	Plug-Cup ●
	24 108 02-S	2	Ring Set (.25) ●				
	24 108 03-S	2	Ring Set (.50) ●				
9	12 422 09-S	0	Shim-Camshaft (Red .032) ●				
	12 422 13-S	0	Shim-Camshaft (Black .04) ●				

● Obtain Parts From Kohler

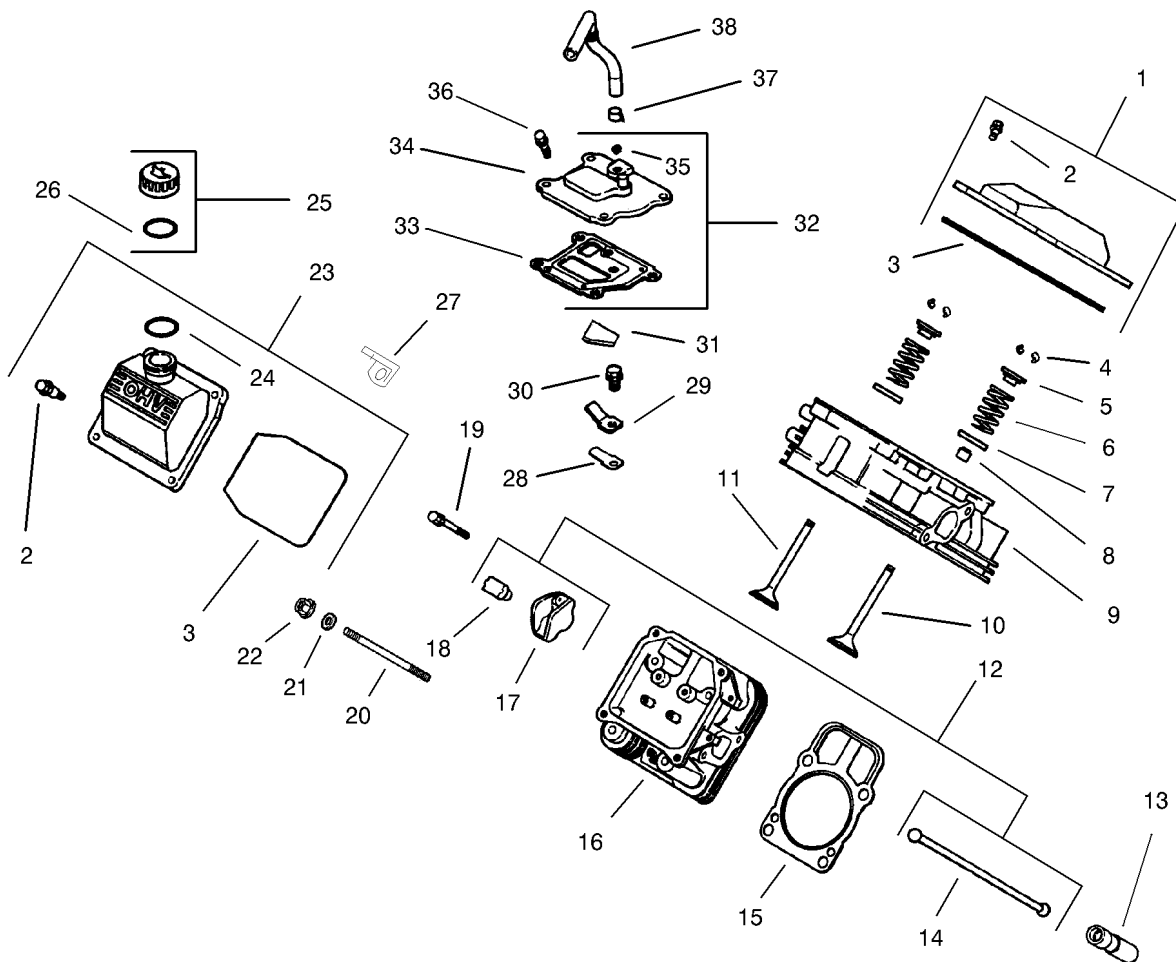




## Oil Pan/Lubrication Assembly Kohler CH20S-64656

<i>Ref.</i>	<i>Part Number</i>	<i>Qty.</i>	<i>Description</i>
1	24 009 92-S	1	Plate, Closure ASM (Includes 2-13) ●
2	24 755 121-S	1	Dipstick & Tube Kit (Includes 3) ●
3	24 038 10-S	1	Dipstick ●
4	24 043 12-S	1	Kit, Governor Gear (Includes 5) ●
5	12 380 01-S	1	Pin-Regulating, Governor ●
6	52 448 02-S	1	Tab-Locking ●
7	12 144 02-S	1	Shaft-Gear, Governor ●
8	52 032 08-S	1	Seal-Oil (P-T-O End) ●
9	X-75-23-S	2	Plug ●
10	24 153 08-S	1	O-Ring ●
11	24 393 10-S	1	Oil Pump Assembly (Includes 12,13) ●
12	24 153 01-S	1	O-Ring ●
13	24 381 04-S	1	Tube-Pick Up, Oil ●
14	M-631005-S	2	Washer-Flat (6 MM) ●
15	M-645025-S	2	Screw-Flange, Thread Forming (M6X1.0X25) ●
16	52 050 02-S	1	Filter-Oil ●
17	24 136 01-S	1	Nipple-Filter, Oil ●
18	25 155 02-S	1	Connector-Hose, 90 Deg ●
19	24 099 03-S	1	Switch-Pressure, Oil ●
20	24 086 16-S	9	Screw-HF (M8X1.25X45) ●
21	24 086 17-S	1	Screw-Flange (M8X1.25X45) ●

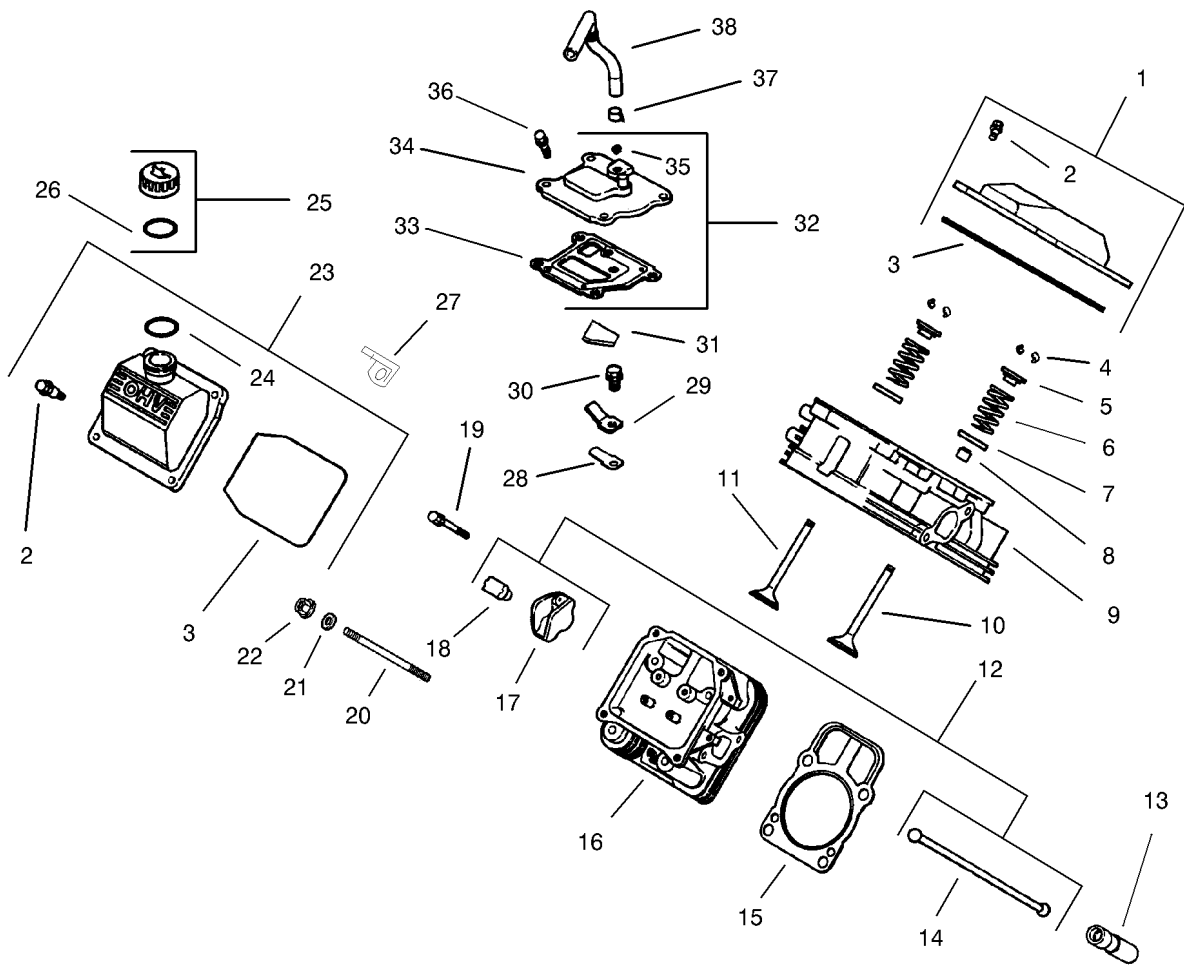
● Obtain Parts From Kohler



## Head/Valve/Breather Assembly Kohler CH20S-64656

Ref.	Part Number	Qty.	Description	Ref.	Part Number	Qty.	Description
1	24 755 74-S	1	Kit, Valve Cover-Plain (Includes 2-3) ●	19	M-640034-S	4	Screw-Flange (M6X1.0X34) ●
2	24 086 32-S	4	Screw-Shoulder (M6X1.0X30) ●	20	24 072 09-S	1	Stud (M8X1.25Xm10X1.5X105MM) ●
3	24 153 16-S	1	O-Ring ●	21	24 468 16-S	1	Washer-Flat (8.6 MM) ●
4	12 755 03-S	4	Retainer Kit ●	22	24 100 10-S	1	Nut-Flange (M8X1.25) ●
5	12 173 01-S	4	Cap-Spring, Valve ●	23	24 755 75-S	1	Kit, Valve Cover-Oil Fill (Includes 2,3,23) ●
6	24 089 02-S	4	Spring-Valve ●	24	24 153 09-S	1	O-Ring ●
7	235011-S	4	Retainer-Spring ●	25	24 755 46-S	1	Kit, Oil Fill Cap (Includes 24) ●
8	24 032 05-S	2	Seal-Stem, Valve ●	26	12 153 03-S	1	O-Ring ●
9	24 318 68-S	1	No. 1 Cylinder Head ASM ●	27	24 445 01-S	1	Strap-Lifting ●
10	24 017 01-S	2	Valve-Intake (STD) ●	28	24 402 03-S	1	Reed-Breather ●
	24 017 02-S	2	Valve-Intake (.25) ●	29	12 018 01-S	1	Retainer-Reed, Breather ●
11	24 016 01-S	2	Valve-Exhaust (STD) ●	30	M-545010-S	1	Screw-HHFTF (M5X.80X10) ●
	24 016 02-S	2	Valve-Exhaust (.25) ●	31	24 050 01-S	1	Filter-Breather ●
12	24 755 66-S	1	Kit, Valve Train (Includes 15,18,19) ●	32	24 033 01-S	1	Kit, Breather (Includes 33-35) ●
13	12 351 01-S	4	Lifter-Valve ●	33	24 041 23-S	1	Gasket-Breather ●
14	24 411 05-S	4	Rod-Push ●	34	24 096 58-S	1	Cover-Breather ●
15	24 041 08-S	2	Gasket-Head, Cylinder ●				
16	24 318 71-S	1	No. 2 Cylinder Head ASM ●				
17	25 186 01-S	4	Arm-Rocker ●				
18	24 599 01-S	4	Pivot-Arm, Rocker ●				

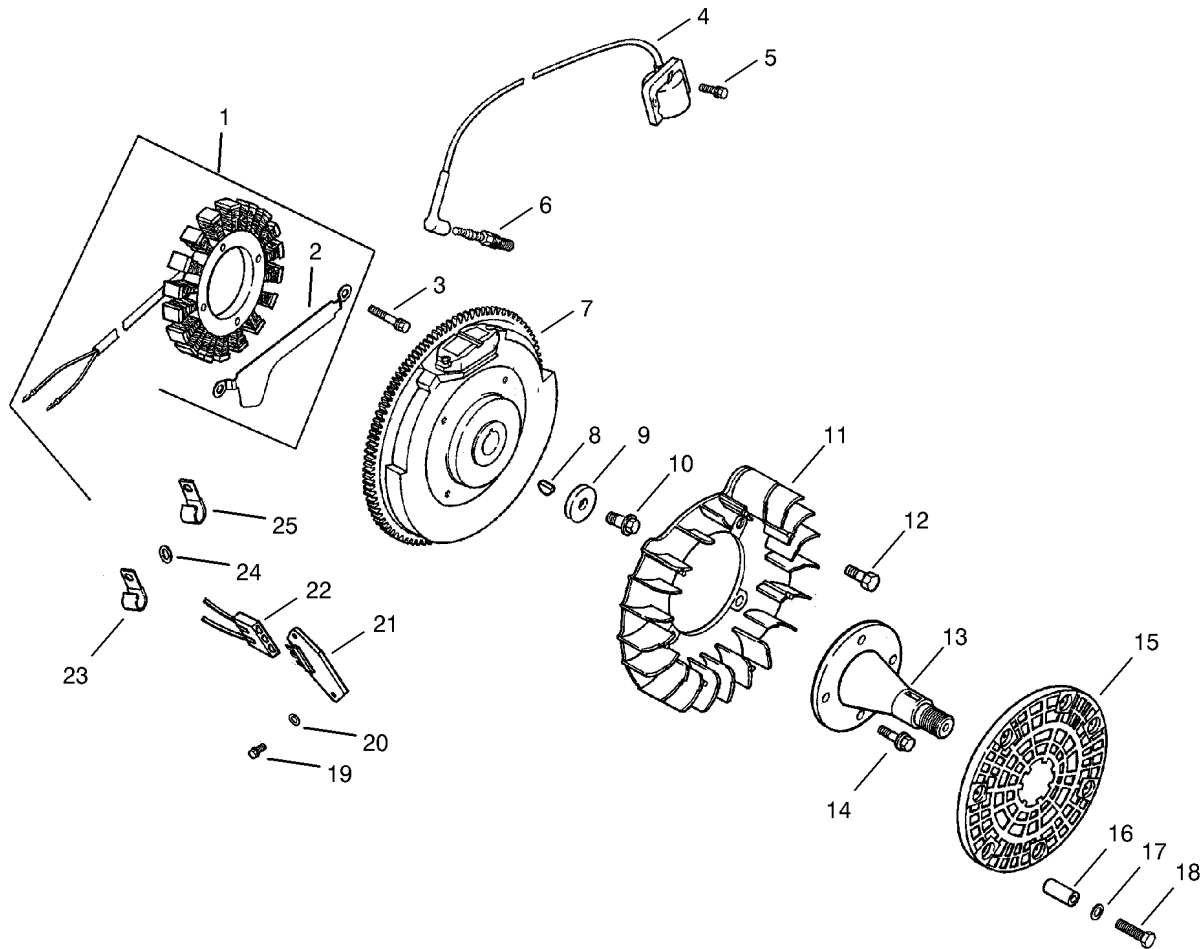
● Obtain Parts From Kohler



## Head/Valve/Breather Assembly Kohler CH20S-64656 (continued)

Ref.	Part Number	Qty.	Description	Ref.	Part Number	Qty.	Description
35	X-75-23-S	1	Plug ●	37	X-426-9-S	1	Clamp ●
36	M-645020-S	4	Screw-HHFTF (M6X1.0X20) ●	38	24 326 26-S	1	Hose-Breather ●

● Obtain Parts From Kohler

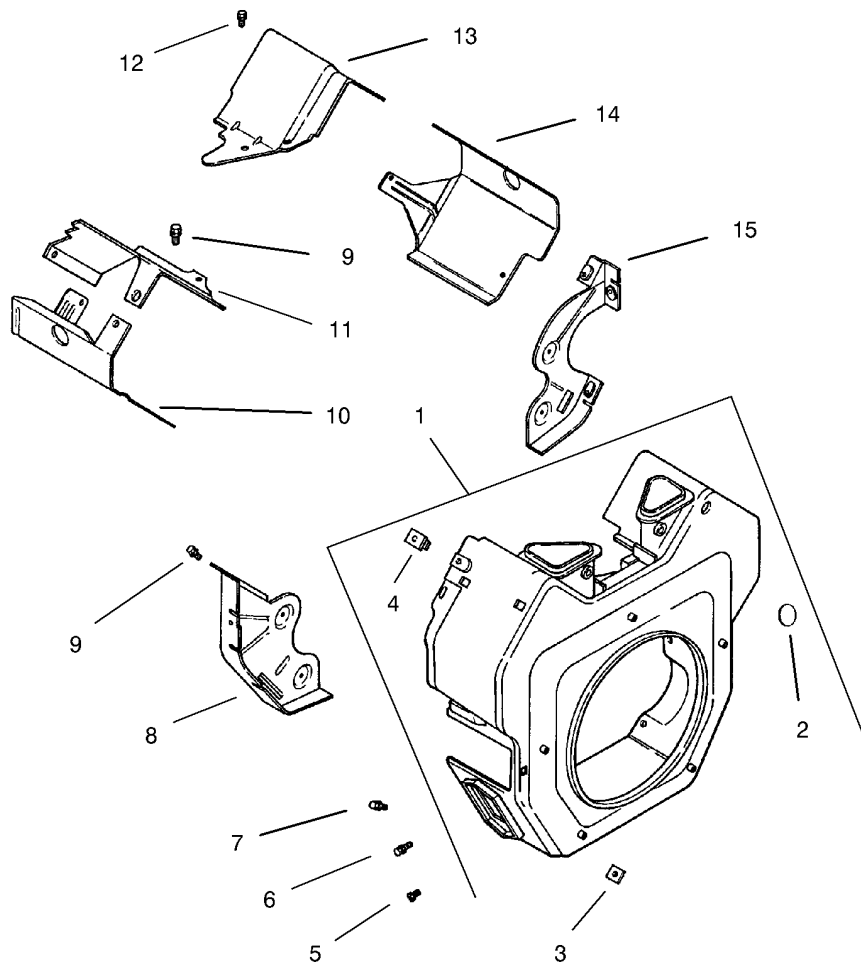


## Ignition/Electrical Assembly Kohler CH20S-64656

Ref.	Part Number	Qty.	Description	Ref.	Part Number	Qty.	Description
1	54 755 09-S	1	Kit, 15 Amp Stator (Includes 2) ■	16	24 122 04-S	4	Spacer ■
2	24 126 71-S	1	Bracket-Wire, Stator ■	17	X-25-92-S	2	Washer-Flat (.188) ■
3	M-548025-S	2	Screw-Thread Forming (M5X0.8X25) ■	18	M-403025-S	4	Screw-Slotted Head (M4X0.7X25) ■
4	24 584 01-S	2	Module-Ignition ■	19	24 086 18-S	2	Screw-Phi HD (11-16X.88) ■
5	M-545020-S	4	Screw-Flange, Thread Forming (M5X.8X20) ■	20	X-25-92-S	2	Washer-Flat (.188) ■
6	12 132 06-S	2	Spark Plug ■	21	25 403 03-S	1	Rectifier-Regulator, 15 Amp ■
7	24 025 01-S	1	Flywheel ■	22	236602-S	1	Connector (3 Contact) ■
8	X-42-15-S	1	Key (3/16 X 5/8) ■	23	235173-S	1	Clip-Cable ■
9	12 468 03-S	1	Washer-Flat (13/32) ■	24	X-25-63-S	1	Washer-Flat (1/4) ■
10	12 086 14-S	1	Screw-Flange (M10X1.5X45) ■	25	48 154 02-S	1	Clip-Cable ■
11	24 157 03-S	1	Fan ■	25 518 12-S	1	Lead-Black (5"-18Ga.) ■●	
12	25 086 47-S	4	Bolt-Shoulder (M6X1.0X16) ■	25 086 91-S	1	Screw-Wsh HD Tap (8-18X.50) ■●	
13	24 144 13-S	1	Shaft-Drive, Front ■	24 176 08-S	1	Harness-Wiring ■●	
14	M-839025-S	4	Screw-HF (M8X1.25X25) ■	X-22-11-S	1	Washer-Lock, Internal Tooth (1/4) ■●	
15	24 162 18-S	1	Screen-Grass ■	25 454 03-S	2	Tie-Wire ■●	

● Not illustrated

■ Obtain Parts From Kohler

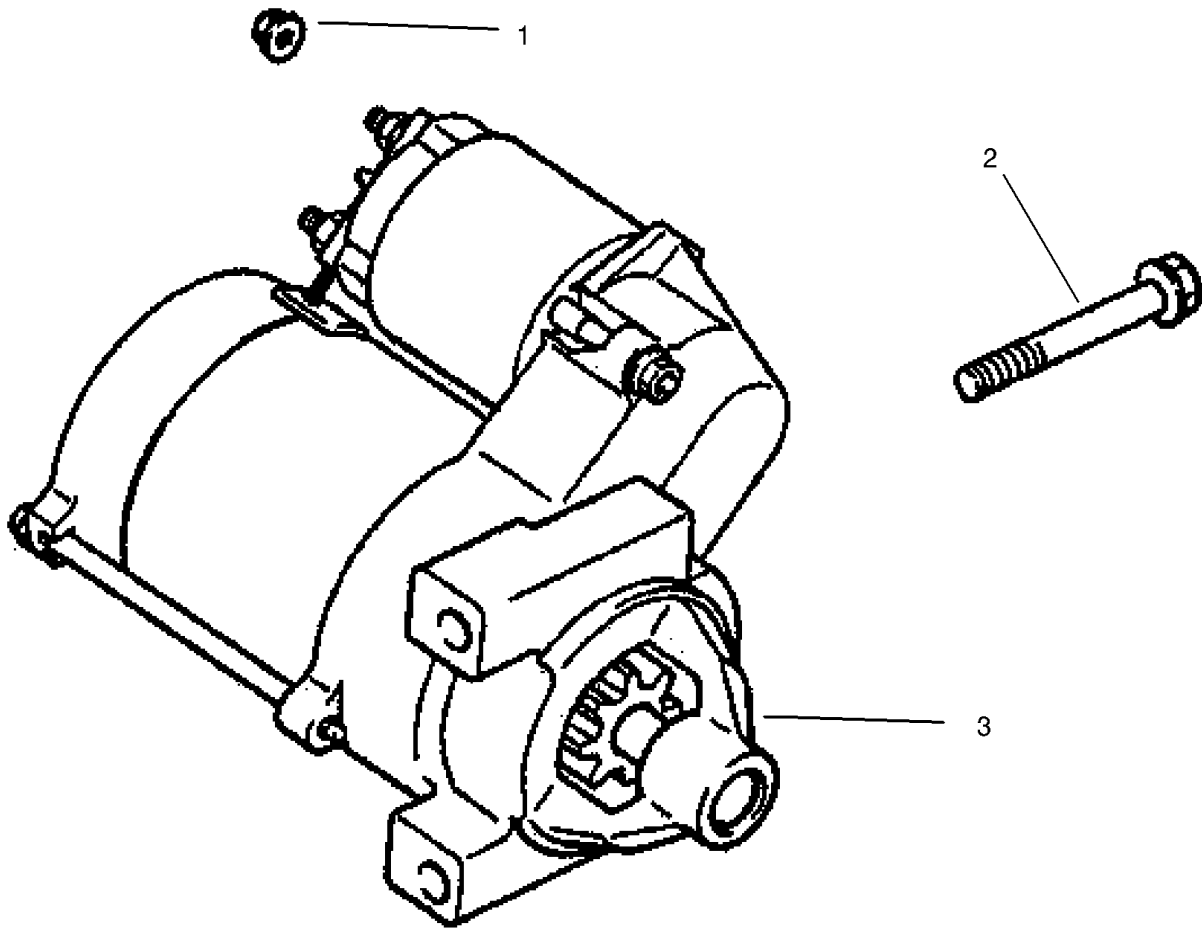


## Blower Housing Assembly Kohler CH20S-64656

<b>Ref.</b>	<b>Part Number</b>	<b>Qty.</b>	<b>Description</b>
1	24 027 20-S	1	Housing, Blower (Includes 2-4) ■
2	25 139 16-S	1	Plug-Button (9/16) ■
3	24 100 01-S	3	Nut-Plastic ■
4	24 100 02-S	2	Nut-Plastic ■
5	M-551016-S	1	Screw-Hex Flange, Heavy (M5X0.8X16) ■
6	M-545016-S	3	Screw-Flange, Thread Forming (M5X0.8X16) ■
7	M-545020-S	4	Screw-Flange, Thread Forming (M5X.8X20) ■
8	24 146 16-S	1	Plate-Backing (No. 2 Side) ■
9	M-645016-S	6	Screw-Flange, Thread Forming (M6X1.0X16) ■
10	24 063 20-S	1	Baffle-Barrel, Cylinder (No. 2 Side) ■
11	24 063 17-S	1	Baffle-Valley (No. 2 Side) ■
12	M-545010-S	2	Screw-HHFTF (M5X.80X10) ■
13	24 063 24-S	1	Baffle-Valley, No. 1 Side ■
14	24 063 58-S	1	Baffle-Barrel, Cylinder (No. 1 Side) ■
15	24 146 20-S	1	Plate-Backing (No. 1 Side) ■
	24 113 95-S	1	Decal-20 HP ■●

● Not illustrated

■ Obtain Parts From Kohler

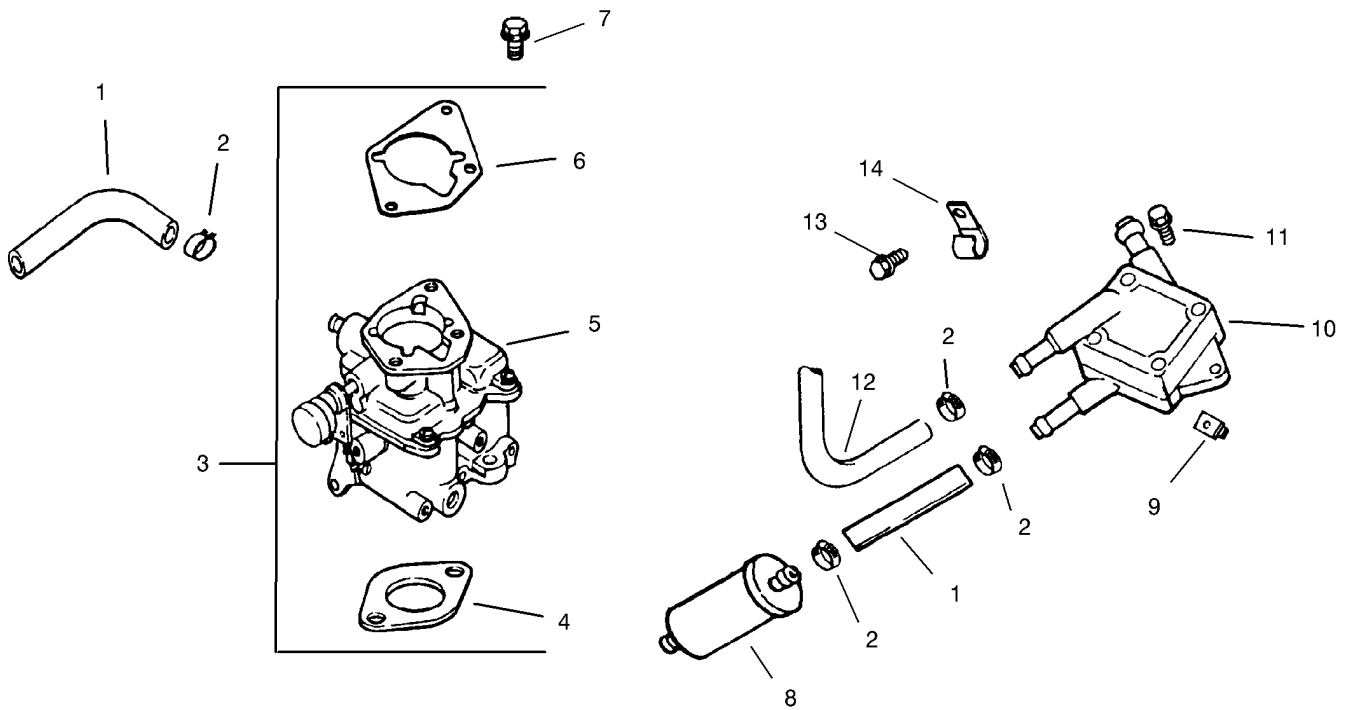


## Starter Assembly Kohler CH20S-64656

Ref.	Part Number	Qty.	Description
1	M-841080-S	1	Nut-Flange (M8X1.25) ■
2	M-839080-S	2	Screw-Flg (M8X1.25X80) ■
3	24 098 08-S	1	Starter-Solenoid Shift (Incl #4-18) ■
	25 755 33-S	1	Kit, Pinion Drive (Incl. Ring 24 141 01-S) ■●
	25 221 01-S	1	Brush Holder Kit ■●
	25 435 04-S	1	Solenoid Kit ■●

● Not illustrated

■ Obtain Parts From Kohler

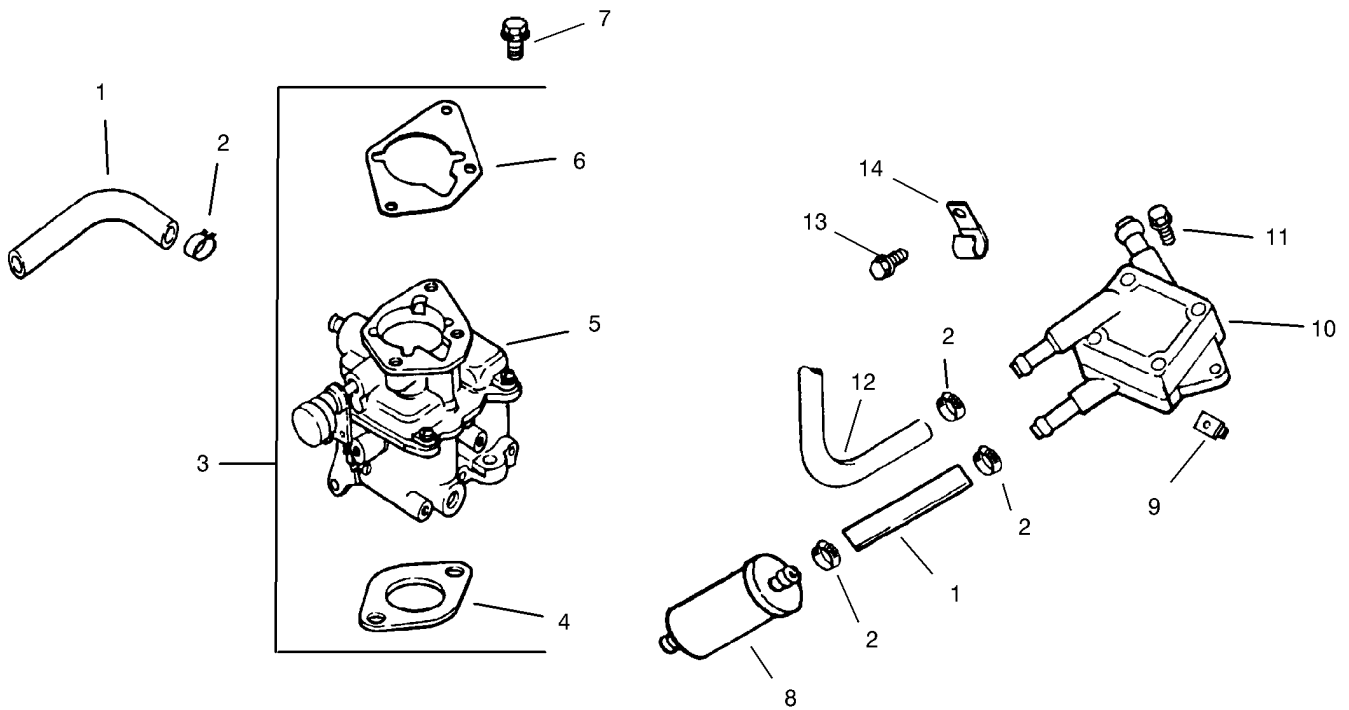


## Fuel System Assembly Kohler CH20S-64656

Ref.	Part Number	Qty.	Description
1	25 353 32-S	2	Line-Fuel (9.5) ■
2	25 237 14-S	6	Clamp-Hose, Spring (1/2) ■
3	24 853 32-S	1	Kit, Carburetor W/Gasket (Incl. 4-6) ■
4	24 041 06-S	1	Gasket-Base, Air Cleaner ■
5	24 053 32-S	1	Carburetor ASM(Includes 25 757 01-S,24 757 02-S,24 757 03-S, &24 757 07-S) ■
6	24 041 17-S	1	Gasket-Carburetor ■
7	M-651030-S	2	Screw-Flange (M6X1.0X30) ■
8	24 050 02-S	1	Filter-Fuel ■
9	24 100 01-S	2	Nut-Plastic ■
10	24 393 16-S	1	Pump-Fuel ■
11	24 086 12-S	2	Screw-TAP (M6X1.7X18) ■
12	24 353 02-S	1	Line-Fuel, Flexible (15.5) ■
13	M-650012-S	1	Screw-HF (M6X1.0X12) ■
14	47 154 01-S	1	Clip-Cable ■
	24 757 01-S	1	Kit, Solenoid (Includes Solenoid 24 521 01-S, O-Ring 24 153 04-S, O-Ring 24 153 05-S, O-Ring 24 153 06-S, Solenoid Screw 24 086 07-S, & Solenoid 24 435 01-S) ■●
	24 757 02-S	1	Float Repair Kit ■●

● Not illustrated

■ Obtain Parts From Kohler



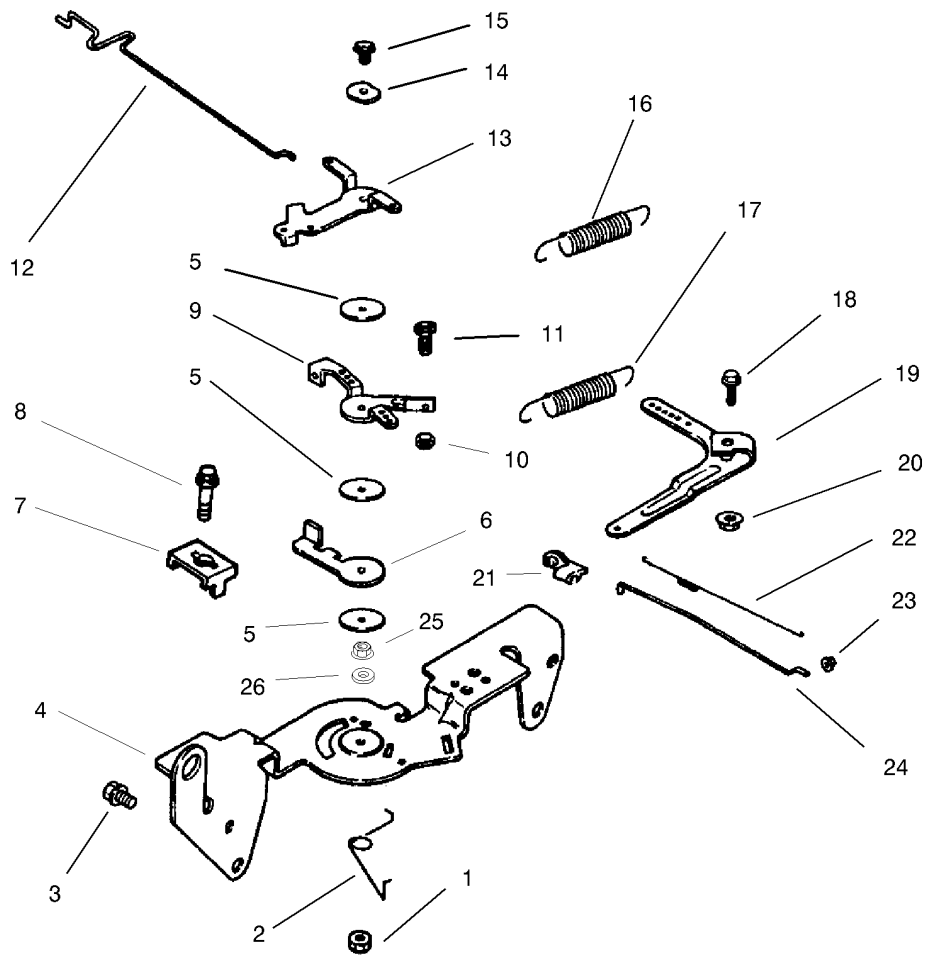
## Fuel System Assembly Kohler CH20S-64656 (continued)

<i>Ref.</i>	<i>Part Number</i>	<i>Qty.</i>	<i>Description</i>
	24 757 07-S	1	Kit, Choke (Includes Choke Lever Cap 24 173 02-S) ■●
	24 757 03-S	1	Kit, Carburetor Repair (Includes Inlet Needle Valve Clip 24 154 01-S, Inlet Needle Valve 24 462 01-S, Carburetor Body Screw 24 086 09-S, Carburetor Body Gasket 24 041 09-S, Slow O-Ring 24 153 02-S, O-Ring 24 13 04-S, O-Ring 24 153 05-S, O-Ring 24 153 06-S, ■●

● Not illustrated

■ Obtain Parts From Kohler

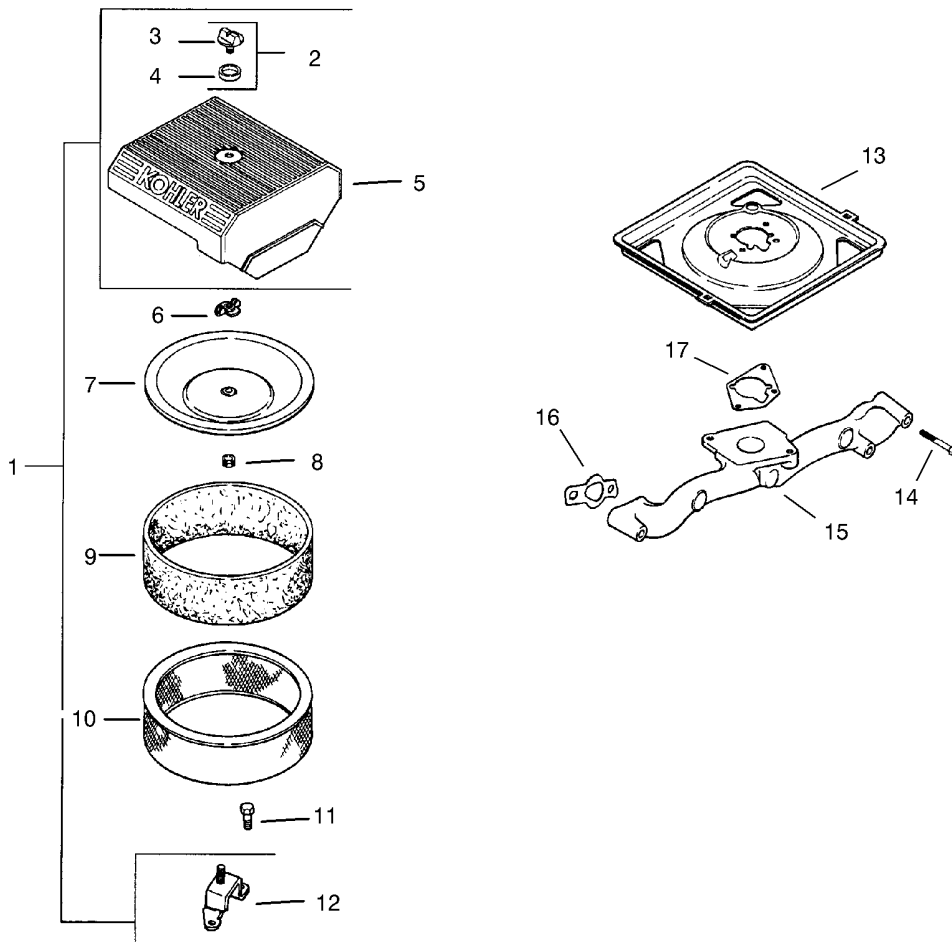




## Engine Control Assembly Kohler CH20S-64656

Ref.	Part Number	Qty.	Description	Ref.	Part Number	Qty.	Description
1	M-547050-S	1	Nut-Lock (M5X.8) ●	15	M-545020-S	1	Screw-Flange, Thread Forming (M5X.8X20) ●
2	24 089 03-S	1	Spring-Return, Choke ●	16	24 089 51-S	1	Spring-Limiter, Throttle ●
3	M-645016-S	4	Screw-Flange, Thread Forming (M6X1.0X16) ●	17	24 089 46-S	1	Spring-Governor ●
4	24 126 56-S	1	Bracket-Control ●	18	24 211 03-S	1	Bolt-Sq Neck, Rd HD (M6X1.0X25) ●
5	24 468 01-S	3	Washer-Flat (5.5MM) ●	19	24 090 33-S	1	Lever-Governor ●
6	24 090 07-S	1	Lever-Actuator, Throttle ●	20	M-641060-S	1	Nut-Flange (M6X1.0) ●
7	12 237 01-S	2	Clamp-Cable ●	21	25 158 11-S	1	Bushing-Retaining, Linkage ●
8	M-545016-S	2	Screw-Flange, Thread Forming (M5X0.8X16) ●	22	24 089 01-S	1	Spring-Linkage ●
9	24 090 03-S	1	Lever-Control, Throttle ●	23	25 158 08-S	1	Bushing-Linkage, Throttle ●
10	M-446030-S	1	Nut (M4X0.7) ●	24	24 079 01-S	1	Linkage-Throttle ●
11	M-401030-S	1	Screw (M4X0.7X30) ●	25	M-545010-S	1	Screw-HHFTF (M5X.80X10) ●
12	24 079 02-S	1	Linkage-Choke ●	26	X-20-1-S	1	Washer-Lock (.25) ●
13	24 090 05-S	1	Lever-Choke ●				
14	41 468 03-S	1	Washer-Spring (1/4) ●				

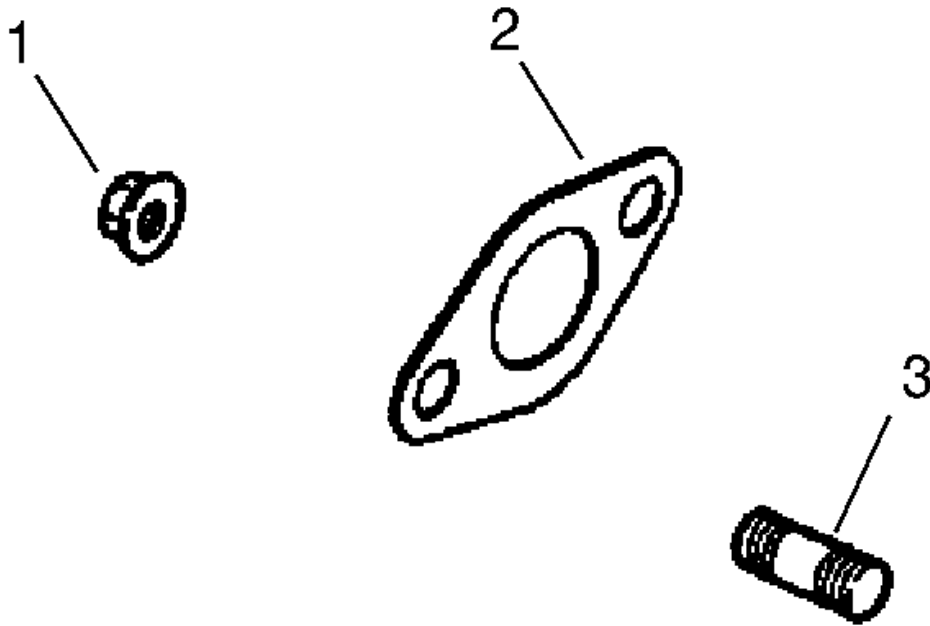
● Obtain Parts From Kohler



## Air Intake/Filtration Assembly Kohler CH20S-64656

Ref.	Part Number	Qty.	Description
1	24 743 05-S	1	Kit, Air Cleaner (Includes 2-5, 12) ●
2	54 755 01-S	1	Kit, Air Cleaner Knob (Includes 3,4) ●
3	25 341 03-S	1	Knob-Cover ●
4	24 153 20-S	1	O-Ring ●
5	24 096 67-S	1	Cover-Cleaner, Air ●
6	12 100 01-S	1	Nut-Wing ●
7	24 096 01-S	1	Cover-Air Cleaner, Inner ●
8	24 032 03-S	1	Seal-Air Cleaner, Inner ●
9	24 083 02-S	1	Element-Precleaner ●
10	47 883 03-S	1	Air Filter Assembly(Includes 9) ●
11	M-639016-S	3	Screw-HF (M6X1.0X16) ●
12	24 126 21-S	1	Bracket-Base, Air Cleaner ●
13	24 094 03-S	1	Base-Air Cleaner ●
14	M-651055-S	4	Screw-HF ●
15	24 164 14-S	1	Manifold-Intake ●
16	24 041 01-S	2	Gasket-Manifold, Intake ●
17	24 041 06-S	1	Gasket-Base, Air Cleaner ●

● Obtain Parts From Kohler



## Exhaust Assembly Kohler CH20S-64656

<i>Ref.</i>	<i>Part Number</i>	<i>Qty.</i>	<i>Description</i>
1	M-841080-S	4	Nut-Flange (M8X1.25) ■
2	24 041 02-S	2	Gasket-Exhaust ■
3	25 072 04-S	4	Stud (M8X1.25X33) ■
	24 782 15	1	Miniblock ■●
	24 755 107-S	1	Gasket Set ■●

● Not illustrated

■ Obtain Parts From Kohler



**Count on it.**