



Count on it.

Parts Catalog

**Dingo® TX 420
Compact Utility Loader**

Model No. 22306—Serial No. 24000001 and Up



Ordering Replacement Parts

To order replacement parts, please supply the part number, the quantity, and the description of each part desired.

Understanding Reference Numbers

Each identified part in an illustration has a reference number. The reference number for a part also appears in the parts list, along with other information about the part.

This catalog uses two special reference number formats, one to indicate parts in a service assembly and another to indicate the quantity of a given part in an illustration.

Service Assembly Reference Numbers

Parts in service assemblies have reference numbers in the form a:b. The a represents the reference number of the entire service assembly and the b represents a sequential number unique to each part within the service assembly.

For example, a wheel assembly might be identified by reference number 6, the tire by 6:1, the valve by 6:2, and the wheel by 6:3. When you order the assembly identified by reference number 6, you receive all parts identified by reference numbers 6:1, 6:2, and 6:3. However, you may also order any part individually. Reference numbers of this type appear in illustration and in parts lists.

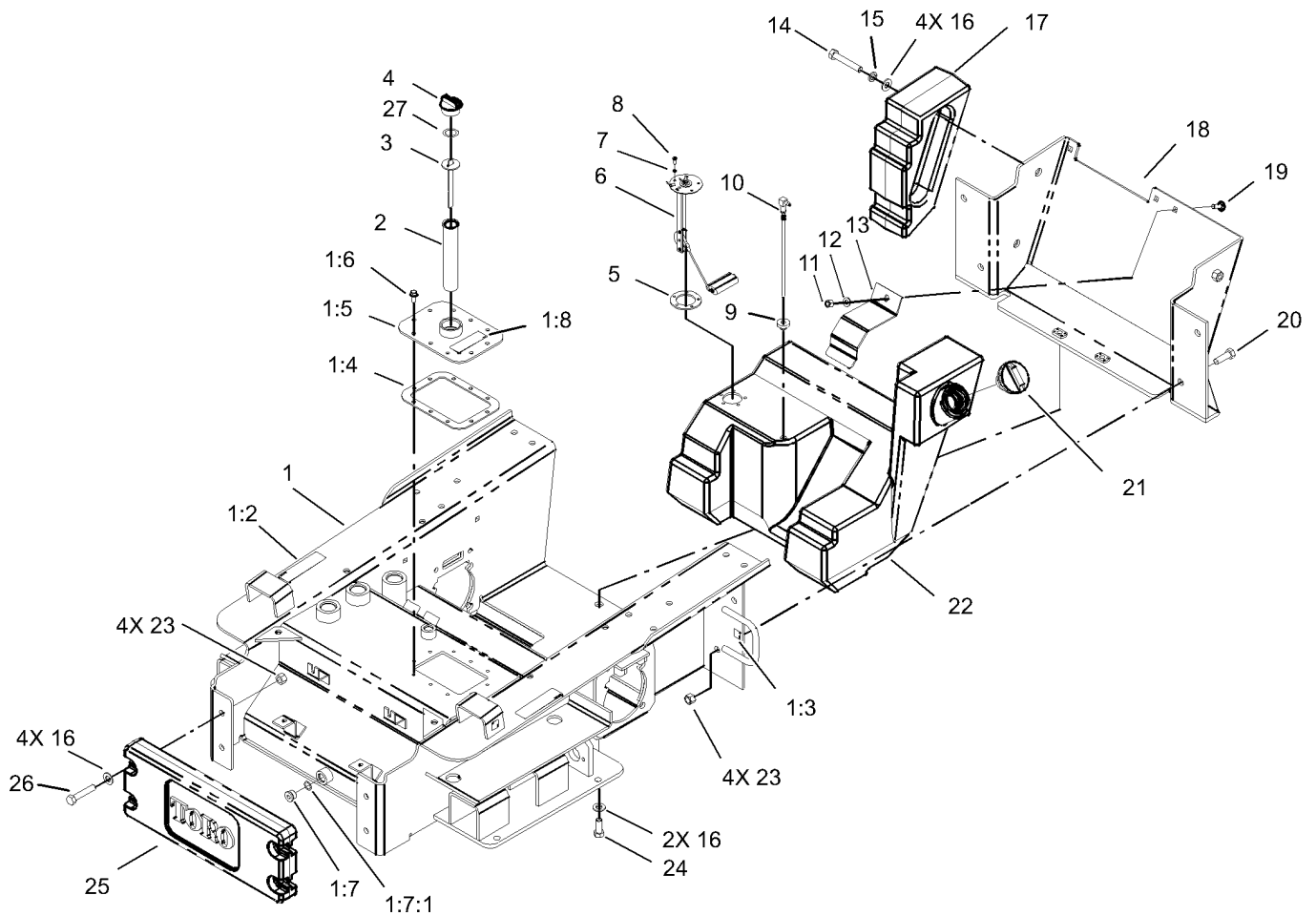
Reference Numbers Indicating Quantity

In an illustration, if a reference number indicates more than one part, the reference number has the form nX y. The n represents the quantity of the part, the X is the multiplication symbol, and the y represents the reference number.

For example, in an illustration, the reference number 2X 37 means that two of the parts identified by reference number 37 are indicated.

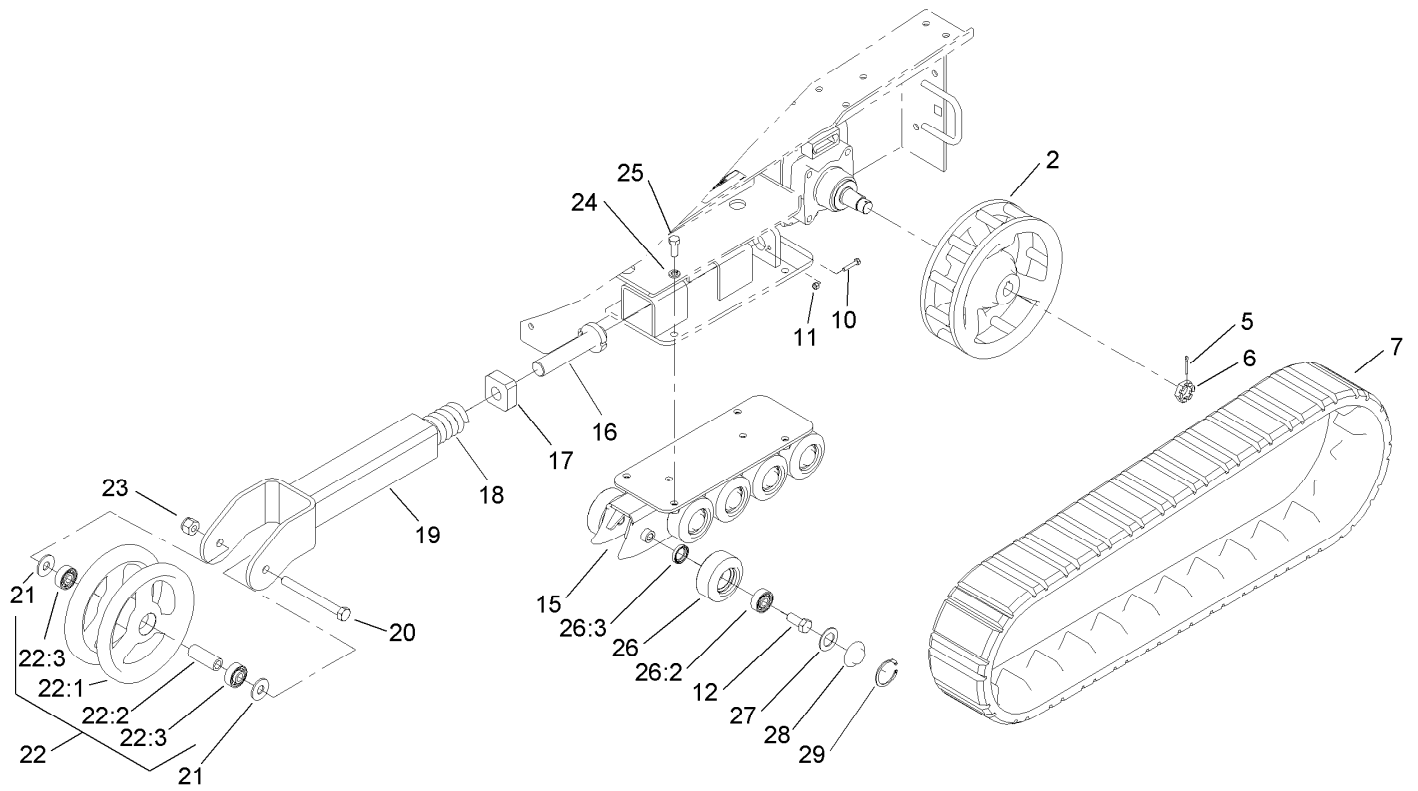
Contents

Main Frame and Fuel Tank Assembly	4
Track and Traction Assembly	5
Brake Assembly	6
Loader Tower and Drive Assembly	7
Traction Hydraulic Assembly	8
Hydraulic Wheel Motor Assembly No. 98-2767	9
Hydraulic Pump Assembly No. 98-8432 and 98-8431	10
Engine Assembly	11
Hydraulic Pump Assembly	12
Hydraulic Gear Pump Assembly No. 98-2752	13
Control Panel Assembly	14
Traction Control Assembly	15
Principal Hydraulic Assembly	16
Two Spool Valve Assembly No. 95-3536	17
One Spool Valve Assembly No. 104-2831	18
Loader Arm Assembly	19
Loader Arm Hydraulics Assembly	20
Left Hand Hydraulic Lift Cylinder Assembly No. 104-6267	21
Right Hand Hydraulic Lift Cylinder Assembly No. 104-6269	22
Hydraulic Cylinder Assembly No. 105-8370	23
Quick Attach Assembly	24
Electrical System Assembly	25
Grill Assembly	26
Hydraulic Oil Cooler Assembly	27
Hood Assembly	28
Rear Access Cover Assembly	29
Crankshaft Assembly Kohler CH20S-64656	30
Crankcase Assembly Kohler CH20S-64656	31
Oil Pan/Lubrication Assembly Kohler CH20S-64656	32
Head/Valve/Breather Assembly Kohler CH20S-64656	33
Ignition/Electrical Assembly Kohler CH20S-64656	35
Blower Housing Assembly Kohler CH20S-64656	36
Starter Assembly Kohler CH20S-64656	37
Fuel System Assembly Kohler CH20S-64656	38
Engine Control Assembly Kohler CH20S-64656	40
Air Intake/Filtration Assembly Kohler CH20S-64656	41
Exhaust Assembly Kohler CH20S-64656	42



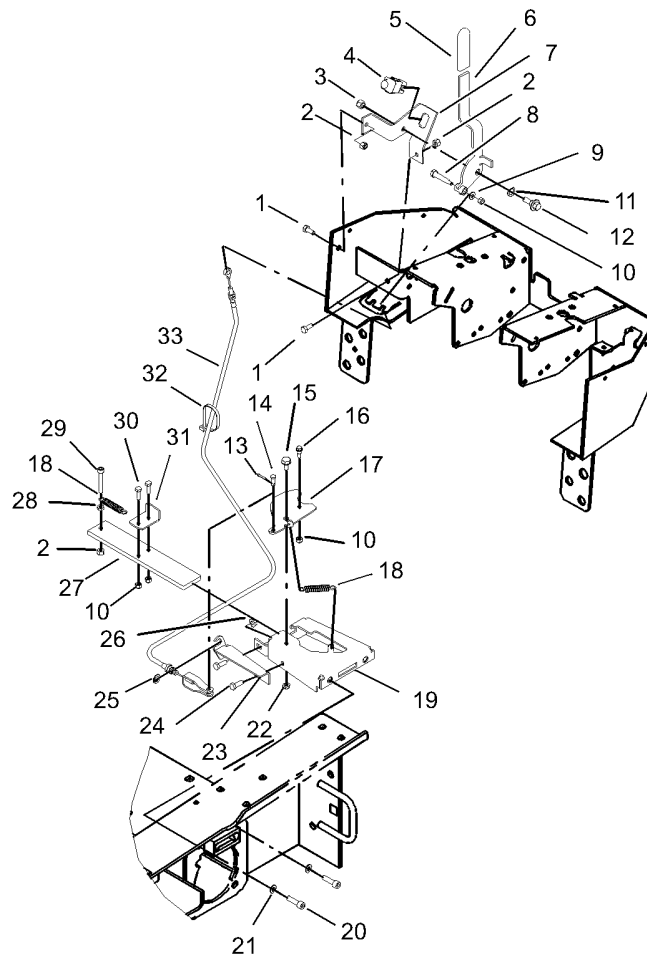
Main Frame and Fuel Tank Assembly

Ref.	Part Number	Qty.	Description	Ref.	Part Number	Qty.	Description
1	105-5830	1	Chassis ASM	11	3296-39	1	Nut-Lock, NI
1:2	100-6141	2	Decal-Pinch	12	3256-38	1	Washer-Flat
1:3	93-9084	4	Decal-Point, Lift	13	100-1257-03	1	Clamp-Tank, Fuel
1:4	100-1253	1	Gasket-Cover, Access	14	325-12	4	Screw-HH
1:5	104-8389-01	1	Tank Cover ASM	15	3253-7	4	Washer-Lock
1:6	98-9940	10	Screw-HHF	16	3256-26	10	Washer-Flat
1:7	353-988	2	Plug-Hex	17	99-6165-01	2	Counterweight-Rear
1:7:1	237-79	1	O-Ring	18	105-0373-01	1	Rear Frame Cover ASM
1:8	105-8432	1	Decal-Oil, HYD	19	3231-22	1	Screw-CARR
2	61-2790	1	Filter-Screen	20	325-6	4	Screw-HH
3	100-2097	1	Dipstick-Oil	21	93-3101	1	Cap-Fuel
4	93-7498	1	Plug-Plastic	22	95-3619	1	Tank-Fuel
5	113372	1	Gasket-Sender, Fuel	23	3296-23	8	Nut-Lock, NI
6	100-1298	1	Sender-Fuel	24	325-5	2	Screw-HH
7	3253-17	5	Washer-Lock	25	99-6166-01	1	Counterweight-Front
8	3250-31	5	Screw-PPH	26	325-10	4	Screw-HH
9	46-6560	1	Bushing	27	237-123	1	O-Ring
10	98-0185	1	Pipe-Stand				



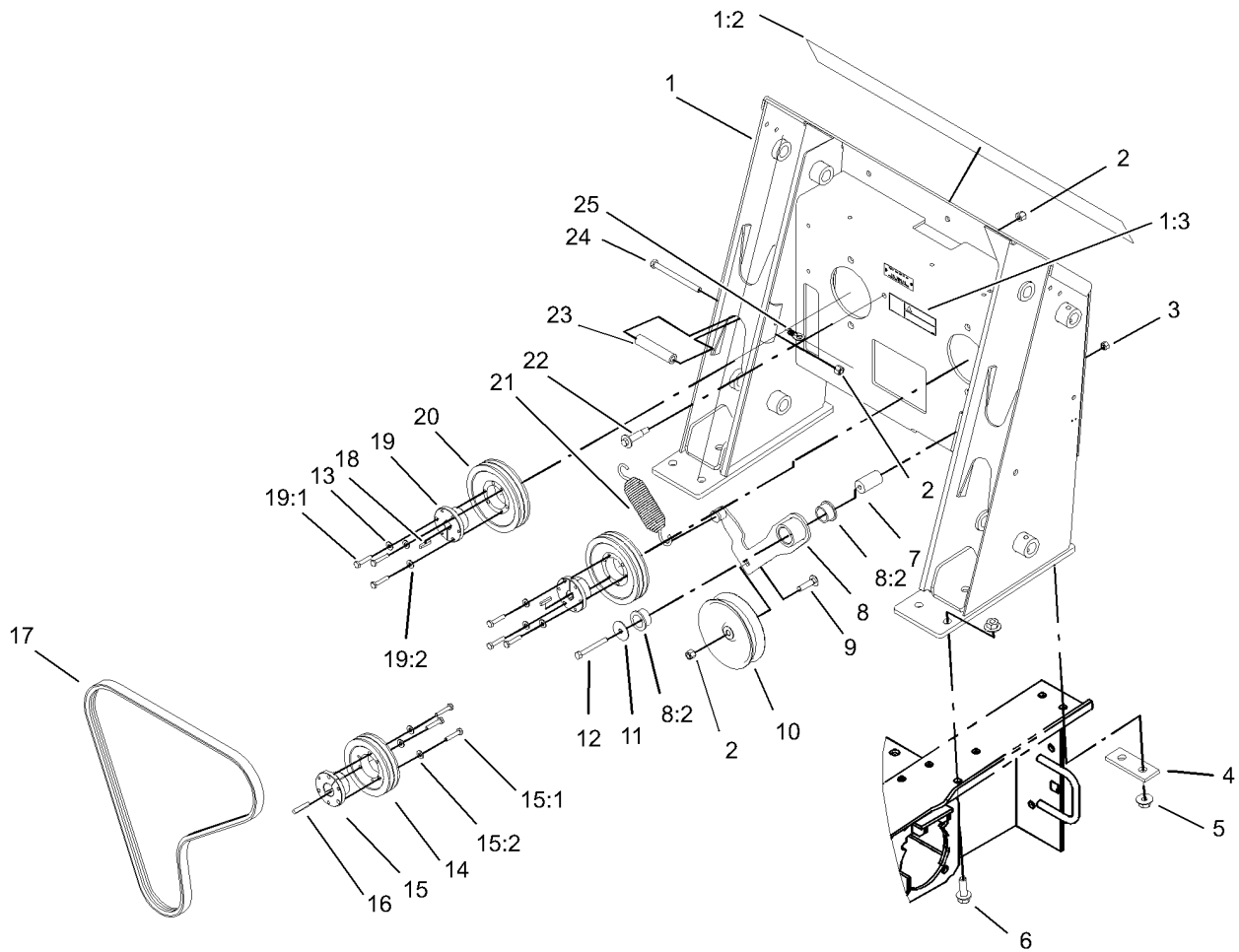
Track and Traction Assembly

Ref.	Part Number	Qty.	Description	Ref.	Part Number	Qty.	Description
2	104-6121-03	2	Wheel-Drive, Tx 420	22	104-5745	2	Tensioner Wheel ASM
5	3272-12	2	Pin-Cotter	22:1	104-5747-03	1	Wheel-Tensioner
6	99-3139	2	Nut-Slotted	22:2	98-9835	1	Spacer-Wheel, Tensioner
7	98-9800	2	Track	22:3	93-4237	2	Bearing
10	321-13	2	Screw-HH	23	3296-24	2	Nut-Hex
11	3296-42	2	Nut-Lock, NI	24	3253-7	8	Washer-Lock
12	327-4	20	Screw-HH	25	325-5	8	Screw-HH
15	105-5803-03	2	Track Guide ASM	26	106-7621	20	Road Wheel ASM
16	98-9846	2	Bolt-Tensioner	26:2	93-4237	1	Bearing
17	95-3626	2	Block-Tensioner	26:3	253-118	1	Seal-Oil
18	95-3624	2	Spring-Compression	27	106-7585	20	Gasket-Bogie
19	98-9801-03	2	Tensioner Arm ASM	28	106-7557	20	Cap-Wheel, Bearing
20	327-17	2	Screw-HH	29	106-7595	20	Ring-Snap, Internal
21	3256-7	4	Washer-Flat				



Brake Assembly

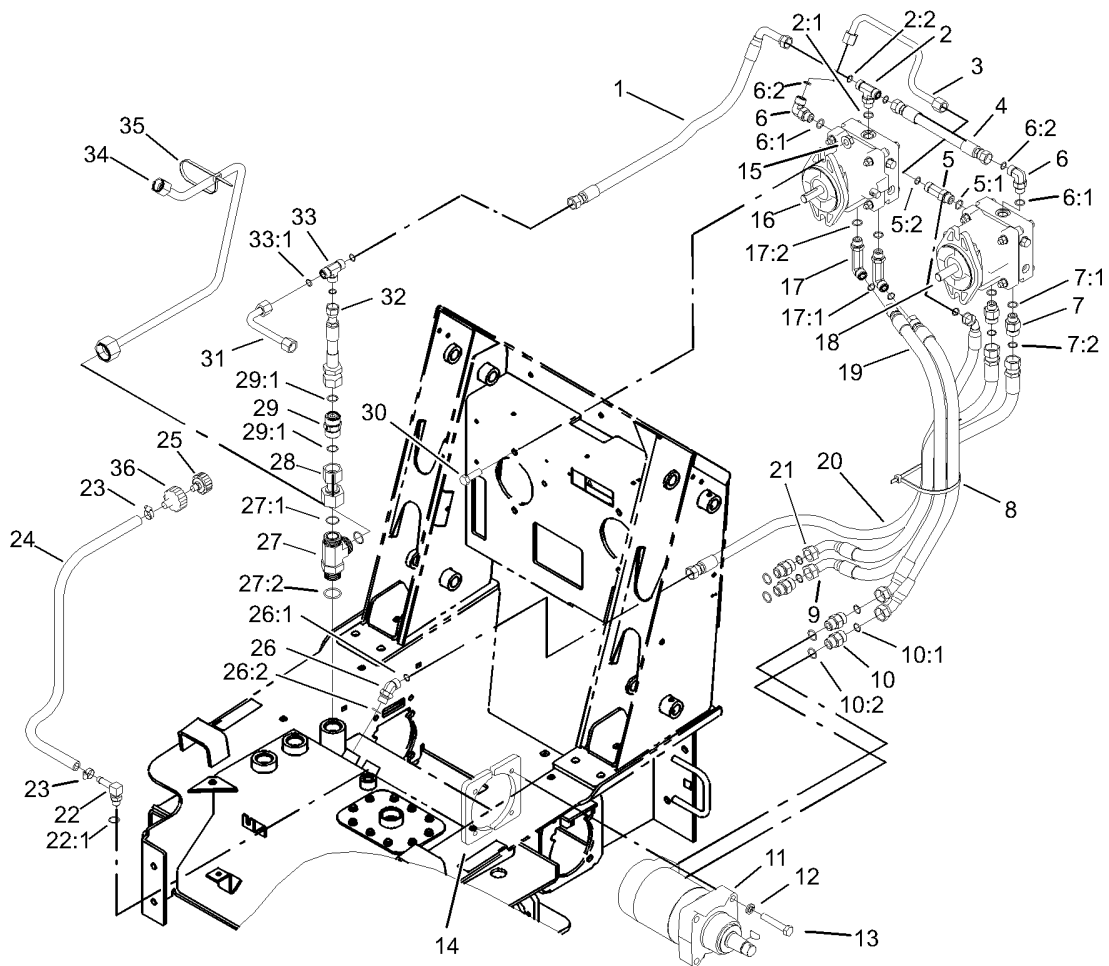
<i>Ref.</i>	<i>Part Number</i>	<i>Qty.</i>	<i>Description</i>	<i>Ref.</i>	<i>Part Number</i>	<i>Qty.</i>	<i>Description</i>
1	322-3	2	Screw-HH	18	87-4020	4	Spring-Extension
2	3296-29	4	Nut-Lock, NI	19	100-4200-03	2	Brake Housing ASM
3	3296-6	1	Nut-Lock	20	3274-1	4	Screw-HSH
4	100-1268	1	Switch-Plunger	21	3253-5	4	Washer-Lock
5	62-9130	1	Grip-Handle	22	3296-47	2	Nut-Lock,NI
6	99-6151-03	1	Brake Lever ASM	23	98-8446-03	2	Bracket-Cable, Brake
7	105-5809-03	1	Bracket-Switch	24	322-4	4	Screw-HH
8	611792	1	Bolt-Shoulder	25	32151-43	2	Ring-Clip
9	3256-22	1	Washer-Flat	26	32128-20	4	Nut-HF
10	3296-42	7	Nut-Lock, NI	27	106-7550-03	2	Plate-Brake
11	3290-221	1	Washer-Spring	28	3218-2	2	Nut-Hex Jam
12	93-2364	1	Bolt-Shoulder	29	3274-86	2	Screw-HSH
13	3272-9	2	Pin-Cotter	30	321-5	4	Screw-HH
14	283-62	2	Pin-Clevis	31	98-8448	2	Stop-Brake
15	37-8771	2	Bolt-Shoulder, HF	32	3290-378	2	Tie-Cable
16	42-3560	2	Bolt-Shoulder	33	100-1283	2	Cable-Brake
17	98-8443	2	Lever-Brake				



Loader Tower and Drive Assembly

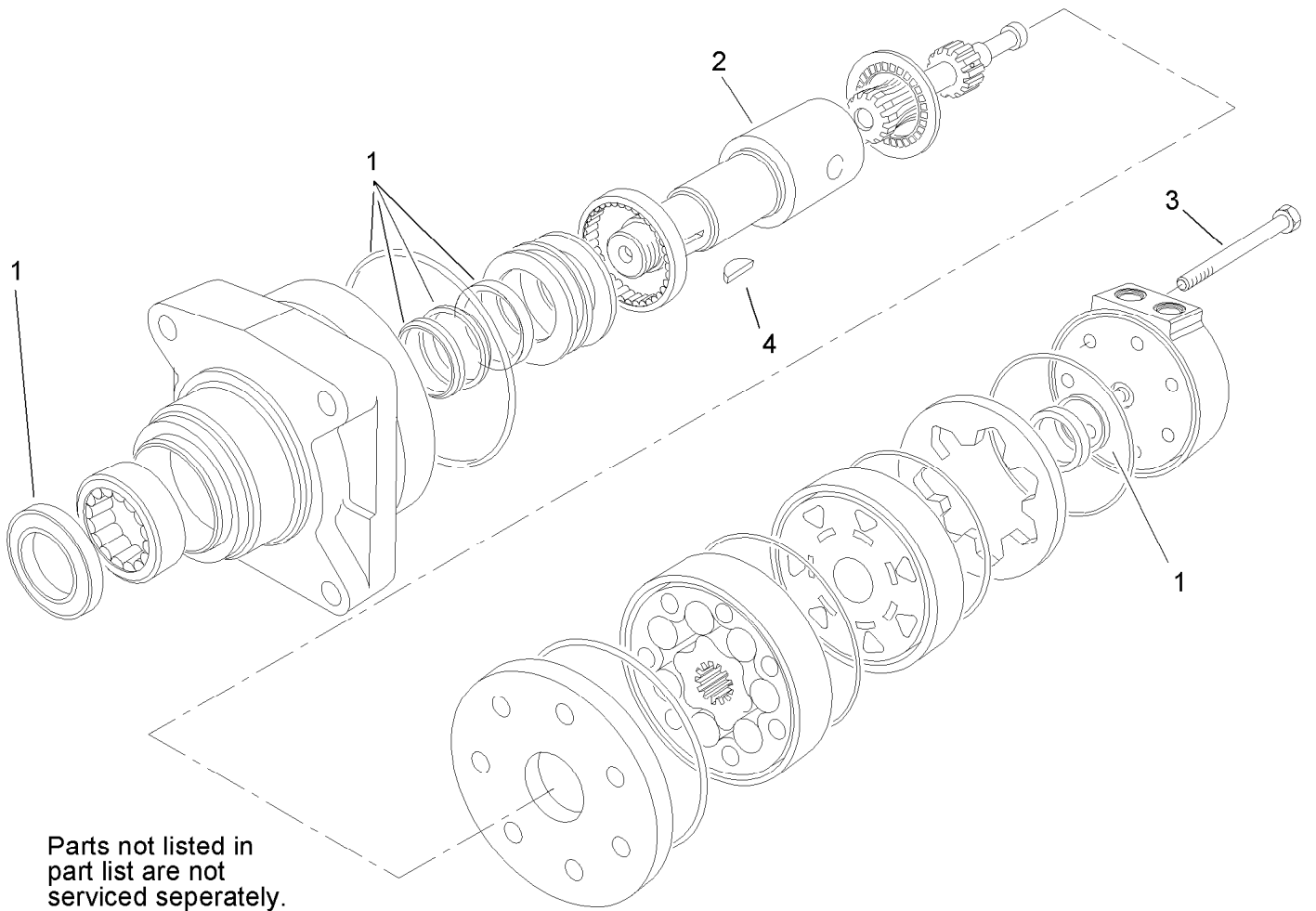
Ref.	Part Number	Qty.	Description
1	104-2843	1	Loader Tower ASM
1:2	104-2842	1	Decal-Panel
1:3	80-8040	1	Decal-Warning
2	3296-39	4	Nut-Lock, NI
3	3296-29	1	Nut-Lock, NI
4	100-6123-01	2	Plate-Stiffener
5	32128-52	10	Nut-Lock, Flange
6	100-6116	10	Screw-HHF
7	104-5739	1	Spacer-Mounting
8	99-6167	1	Idler Arm ASM
8:2	256-132	2	Bushing-Flange
9	3231-26	1	Screw-CARR
10	95-3707	1	Pulley-Idler
11	3256-68	1	Washer-Flat
12	322-13	1	Screw-HH
13	3256-22	9	Washer-Flat

Ref.	Part Number	Qty.	Description
14	61-3330	1	Pulley
15	61-3340	1	Bushing
15:1	100-4208	3	Screw-HH
15:2	100-4209	3	Washer-Lock / Sp
16	67-7490	1	Key-Square
17	95-3611	1	V-Belt
18	80-6090	2	Key-Pump
19	100-4206	2	Bushing
19:1	100-4208	3	Screw-HH
19:2	100-4209	3	Washer-Lock / Sp
20	100-4207	2	Sheave
21	105-0383	1	Spring-Extension
22	56-6590	1	Bolt-Wheel
23	100-1271	2	Tube-Spacer
24	323-23	2	Screw-HH
25	95-4013	2	Latch ASM



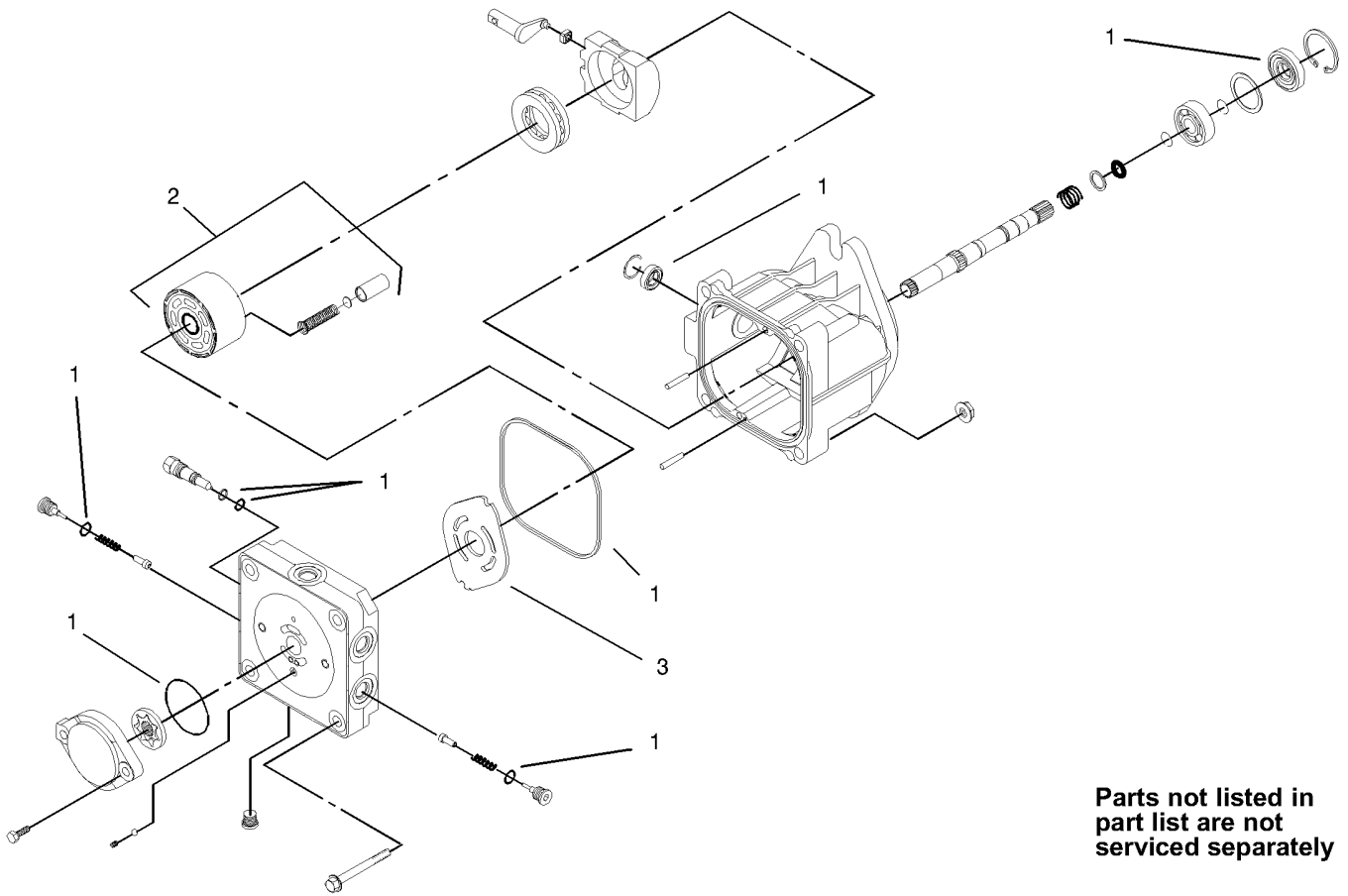
Traction Hydraulic Assembly

Ref.	Part Number	Qty.	Description	Ref.	Part Number	Qty.	Description
1	100-6130	1	HYD Hose ASM	17:2	237-79	1	O-Ring
2	340-157	1	Fitting-HYD, Tee	18	98-8432	1	Pump-HYD, LH
2:1	237-79	1	O-Ring	19	98-0233	2	Hose-HYD
2:2	237-30	2	O-Ring	20	98-0201	1	Hose-HYD
3	98-0200	1	Tube-HYD	21	98-0177	1	HYD Hose ASM
4	95-3664	1	HYD Hose ASM	22	354-120	1	Fitting-Elbow, 90
5	340-109	1	Fitting-Tee	22:1	237-79	1	O-Ring
5:1	237-79	1	O-Ring	23	2412-36	2	Clamp-Hose
5:2	237-30	2	O-Ring	24	98-2708	1	Hose-Vent
6	340-98	2	Fitting-Elbow, 90 DEG	25	68-6150	1	Breather
6:1	237-79	1	O-Ring	26	340-101	1	Fitting-HYD, 45 DEG
6:2	237-30	1	O-Ring	26:1	237-30	1	O-Ring
7	340-155	2	Fitting-Straight	26:2	237-79	1	O-Ring
7:1	237-79	1	O-Ring	27	104-3795	1	Fitting-Tee
7:2	237-151	1	O-Ring	27:1	340-65	2	O-Ring
8	3334-945	1	Tie-Cable	27:2	237-146	1	O-Ring
9	98-0235	1	HYD Hose ASM	28	105-0226	1	Tube-HYD
10	340-7	4	Fitting-Straight	29	99-6161	1	HYD Check Valve ASM
10:1	237-65	1	O-Ring	29:1	237-58	2	O-Ring
10:2	237-80	1	O-Ring	30	325-6	4	Screw-HH
11	98-2767	2	Motor-Wheel, HYD	31	95-3517	1	HYD Tube ASM
12	3253-7	8	Washer-Lock	32	105-0225	1	HYD Hose ASM
13	325-11	8	Screw-HH	33	340-102	1	Adapter
14	98-2763-03	4	Plate-Mounting	33:1	237-30	3	O-Ring
15	32128-23	4	Nut-HF	34	104-5706	1	HYD Tube ASM
16	98-8431	1	Pump-HYD, RH	35	3290-378	1	Tie-Cable
17	99-6160	2	Fitting-Elbow, 90 Long	36	92-8020	1	Adapter-Breather
17:1	237-30	1	O-Ring				



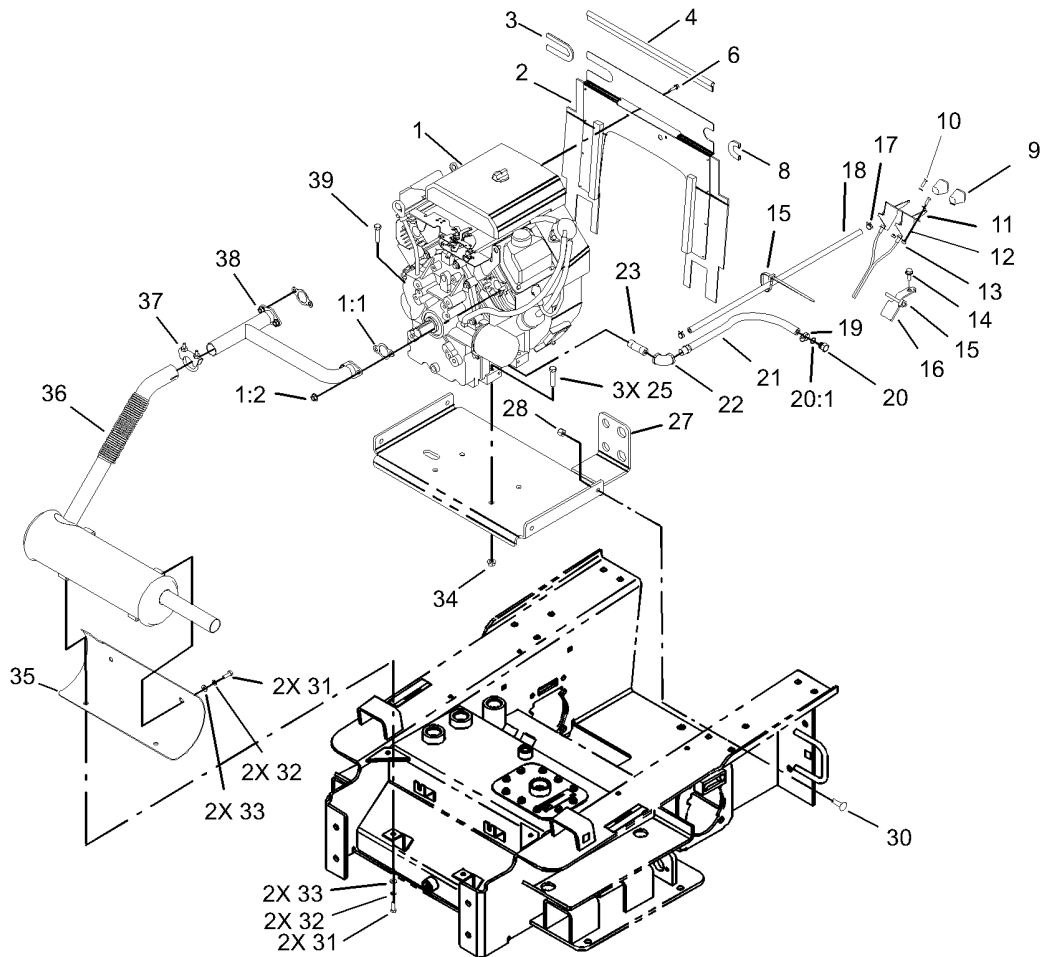
Hydraulic Wheel Motor Assembly No. 98-2767

<i>Ref.</i>	<i>Part Number</i>	<i>Qty.</i>	<i>Description</i>
1	100-6131	1	Seal Kit
2	99-3090	1	Shaft-Coupling
3	100-4241	7	Screw-HH
4	3257-42	1	Key-Woodruff



Hydraulic Pump Assembly No. 98-8432 and 98-8431

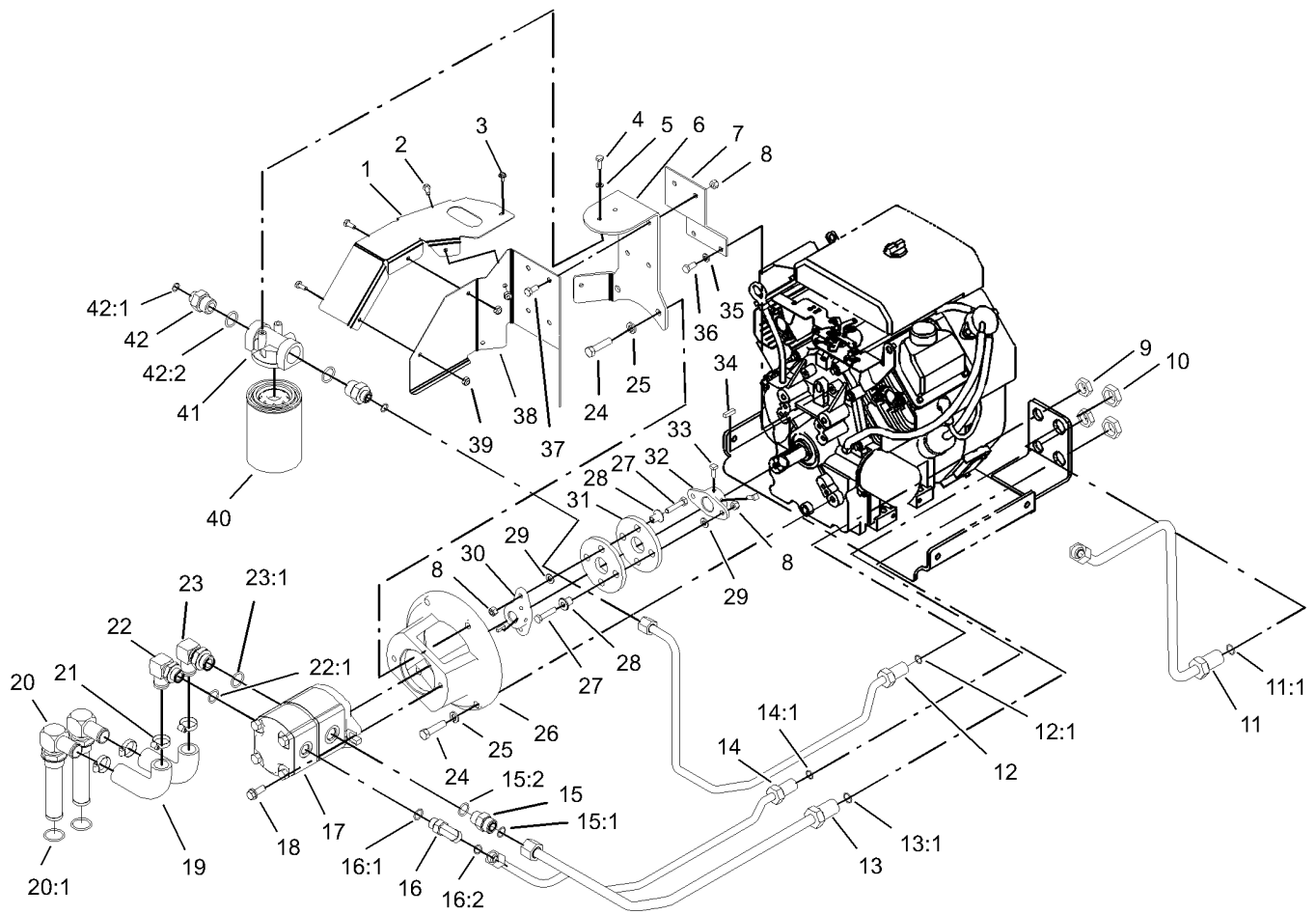
<i>Ref.</i>	<i>Part Number</i>	<i>Qty.</i>	<i>Description</i>
1	100-6110	1	Overhaul Seal Kit
2	94-1913	1	Cylinder Block ASM
3	100-6112	1	Plate-Valve



Engine Assembly

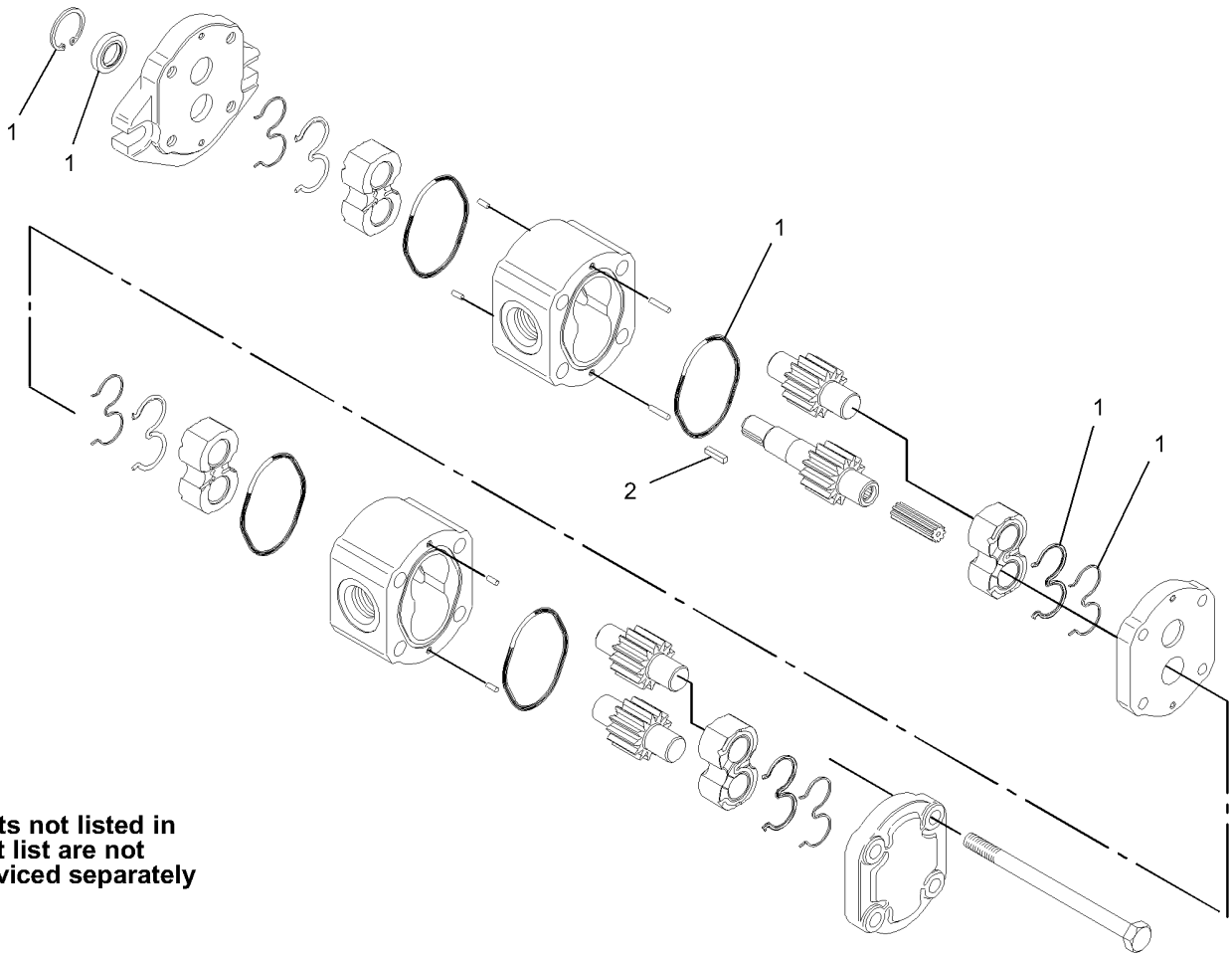
Ref.	Part Number	Qty.	Description	Ref.	Part Number	Qty.	Description
1		1	Engine-Kohler, Ch20S-64656 ●	19	2412-119	1	Clamp-Hose
1:1	93-0350	2	Gasket-Exhaust	20	353-508	1	Plug-HH
1:2	92-6780	4	Nut-HF	20:1	237-42	1	O-Ring
2	106-5748	1	Engine Baffle ASM	21	100-1256	1	Oil Hose ASM
3	105-0378	1	Seal-Strip, 6.5 Inch	22	94-9650	1	Elbow-90 DEG
4	106-5749	1	Seal-Strip, 16 Inch	23	289-42	1	Nipple
6	27-0220	2	Screw-Special	25	323-9	3	Screw-HH
8	105-0377	1	Seal-Strip, 3 Inch	27	99-6175-03	1	Engine Mounting Plate ASM
9	66-0120	2	Knob	28	3296-39	4	Nut-Lock, NI
10	3290-134	4	Screw	30	3231-28	4	Screw-CARR
11	3256-49	4	Washer-Plain	31	321-5	4	Screw-HH
12	99-6173	2	Cable-Throttle	32	3253-3	4	Washer-Lock
13	3296-2	4	Nut-Lock, NI	33	3256-22	4	Washer-Flat
14	32144-70	1	Screw-HWHTF	34	32128-21	4	Nut-HF Lock
15	3290-378	2	Tie-Cable	35	98-2762	1	Shield-Heat, Muffler
16	100-1299-03	1	Guide-Cable	36	105-0249	1	Muffler
17	2412-98	2	Clamp-Hose	37	2112-11	1	Clamp-Muffler
18	105-0376	1	Hose-Fuel	38	98-2761	1	Manifold-Crossover
				39	323-8	1	Screw-HH

● Not serviced separately



Hydraulic Pump Assembly

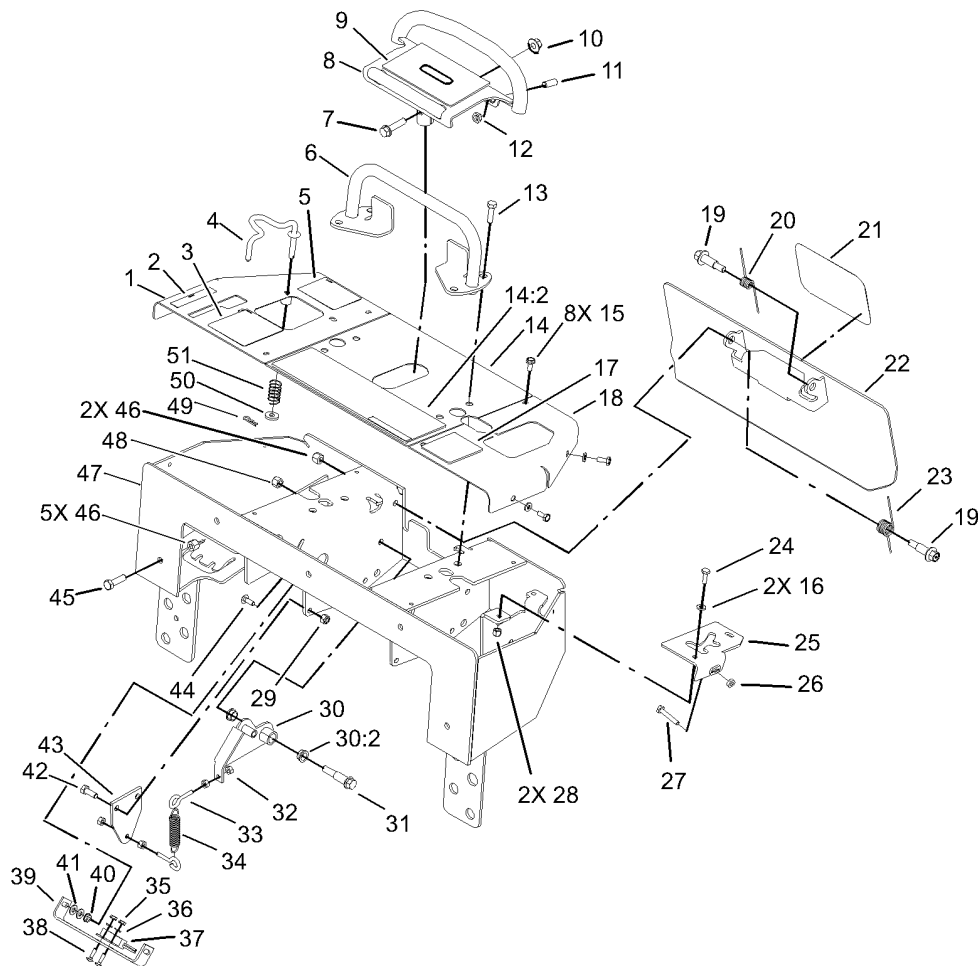
Ref.	Part Number	Qty.	Description	Ref.	Part Number	Qty.	Description
1	104-9960	1	Shield-Heat	20	105-0204	2	Strainer Fitting ASM
2	321-39	4	Screw-HH	20:1	237-146	1	O-Ring
3	32144-112	3	Screw-HWH	21	2412-34	4	Clamp-Hose
4	321-4	2	Screw-HH	22	61-2710	1	Stem-Hose, 90 DEG
5	3253-3	2	Washer-Lock	22:1	237-117	1	O-Ring
6	99-6172-03	1	Bracket-Support, Oil Filter	23	100-4202	1	Fitting-90
7	99-6171-03	1	Bracket-Support, Oil Filter	23:1	237-81	1	O-Ring
8	3296-29	8	Nut-Lock, NI	24	324-7	4	Screw-HH
9	340-127	2	Nut-Bulkhead	25	3253-6	4	Washer-Lock
10	340-74	2	Nut-Lock, Bulkhead	26	98-2751	1	Mount-Pump
11	104-5705	1	HYD Tube ASM	27	322-7	4	Screw-HH
11:1	237-65	1	O-Ring	28	71-4411	4	Spacer
12	98-2780	1	HYD Tube ASM	29	3256-23	4	Washer-Plain
12:1	237-30	1	O-Ring	30	49-9600	1	Hub-Pump
13	98-2783	1	HYD Tube ASM	31	44-2230	2	Coupling-Rubber
13:1	237-65	1	O-Ring	32	27-1960	1	Hub-Engine
14	98-2781	1	HYD Tube ASM	33	3241-6	4	Screw-SQH
14:1	237-30	1	O-Ring	34	10-7070	1	Key-Square
15	340-7	1	Fitting-Straight	35	3253-4	2	Washer-Lock
15:1	237-65	1	O-Ring	36	33114-020	2	Screw-HH
15:2	237-80	1	O-Ring	37	322-3	4	Screw-HH
16	340-98	1	Fitting-Elbow, 90 DEG	38	100-6114	1	Shield-Heat, Filter
16:1	237-79	1	O-Ring	39	3296-16	4	Nut-Lock, NI
16:2	237-30	1	O-Ring	40	86-3010	2	Filter-Oil
17	98-2752	1	Pump-Gear, HYD	41	92-5821	1	Head-Filter
18	66-9300	2	Screw-HHF	42	100-4240	2	Fitting-STR
19	105-0201	2	Hose-Suction, Formed	42:1	237-30	1	O-Ring
				42:2	237-81	1	O-Ring



Parts not listed in
part list are not
serviced separately

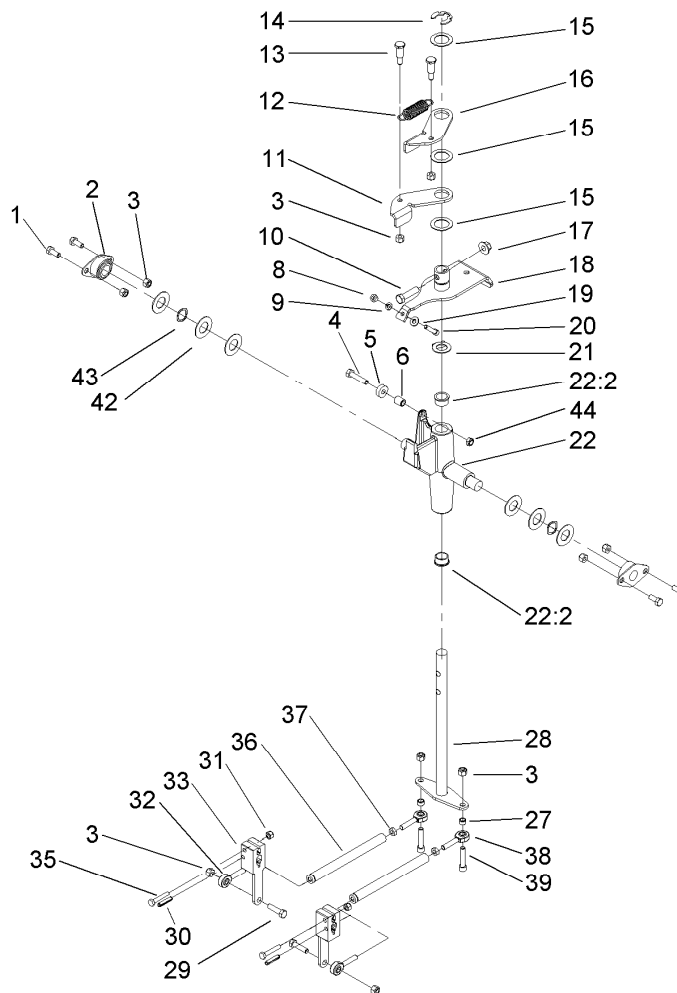
Hydraulic Gear Pump Assembly No. 98-2752

<i>Ref.</i>	<i>Part Number</i>	<i>Qty.</i>	<i>Description</i>
1	100-4237	1	Kit-Seal, Pump
2	100-4238	1	Key-Square



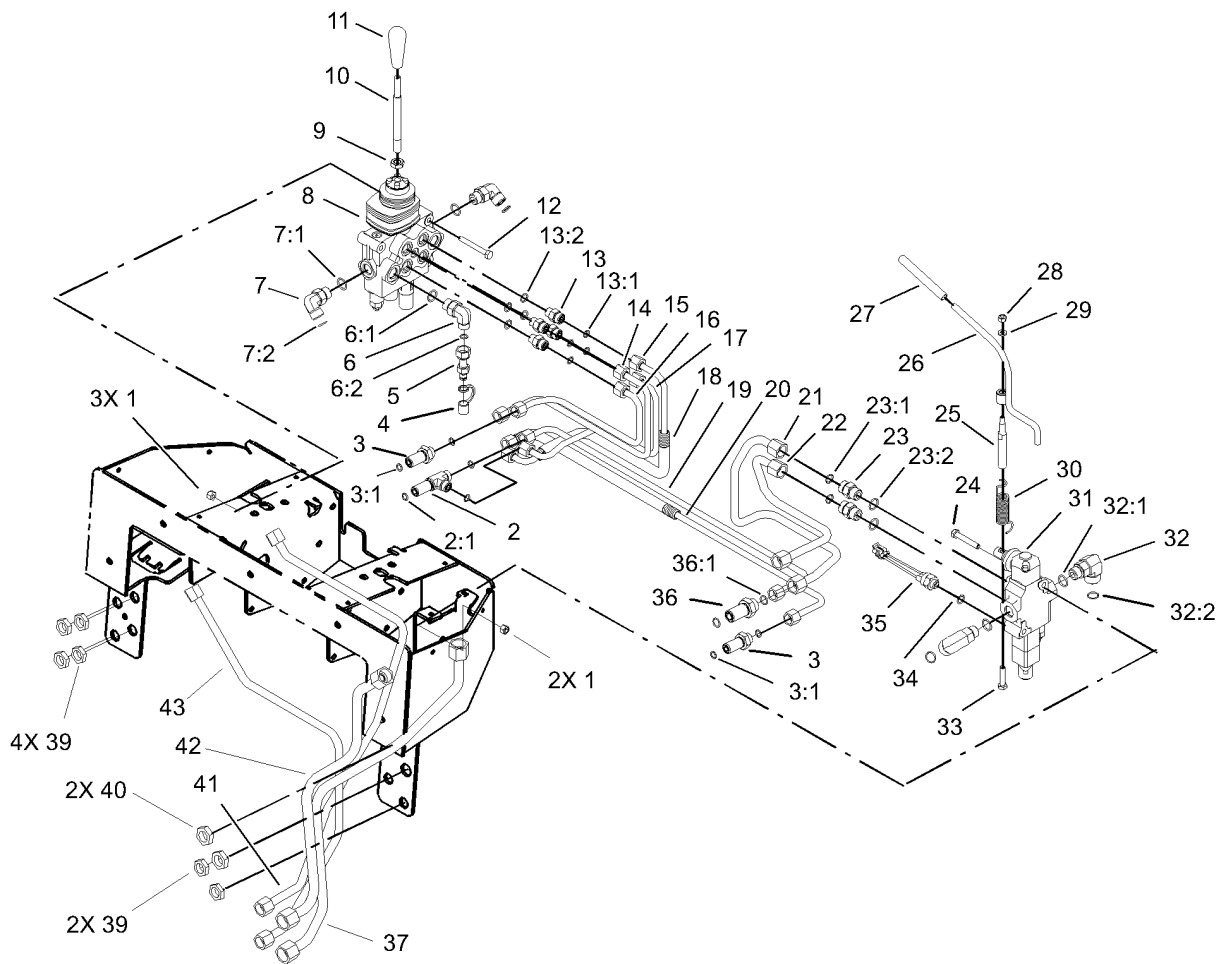
Control Panel Assembly

Ref.	Part Number	Qty.	Description	Ref.	Part Number	Qty.	Description
1	105-5824-01	1	RH Panel ASM	27	321-9	1	Screw-HH
2	104-2838	1	Decal-Brake	28	3296-8	2	Nut-Hex
3	104-2837	1	Decal-Loader	29	3296-29	2	Nut-Lock, NI
4	104-2833	1	Rod-Interlock	30	100-4203	1	Neutral Centering Lever ASM
5	104-2844	1	Decal-Interlock	30:2	256-156	2	Bushing-Flange
6	98-8400-03	1	Reference Bar ASM	31	66-0560	1	Bolt-Shoulder
7	3234-18	1	Screw-HHF	32	3217-5	4	Nut-Hex
8	104-9970-03	1	Control Handle ASM	33	71-2870	2	Bolt-Eye
9	100-6138	1	Decal-Traction	34	105-1210	1	Spring-Extension
10	32128-43	1	Nut-Flange	35	32149-7	2	Nut-Keps
11	3247-6	2	Screw-Set	36	3256-51	2	Washer-Flat
12	3218-3	2	Nut-Jam	37	100-1270	1	Switch-Proximity
13	322-16	4	Screw-HH	38	3229-20	2	Screw-CARR
14	100-6144	1	Center Panel ASM	39	100-1263	1	Plate-Switch
14:2	100-6140	1	Decal-Danger	40	32149-2	2	Nut-Keps
15	32144-44	8	Screw-HWH, Thread Roll	41	3256-22	4	Washer-Flat
16	3256-16	2	Washer-Flat	42	322-4	2	Screw-HH
17	100-6136	1	Decal-Auxiliary	43	100-1261-03	1	Bracket-Spring
18	98-8428-01	1	Panel-LH	44	3229-1	2	Screw-CARR
19	62-1330	2	Bolt-Shoulder	45	323-7	5	Screw-HH
20	98-8424	1	Spring-Torsion, RH	46	3296-39	7	Nut-Lock, NI
21	105-1217	1	Decal	47	95-3540-01	1	Control Panel ASM
22	98-8417-03	1	Reverse Plate ASM	48	3296-6	1	Nut-Lock
23	98-8425	1	Spring-Torsion, LH	49	3290-307	1	Pin-Cotter
24	321-4	2	Screw-HH	50	88-7200	1	Washer-Flat
25	100-6126-01	1	Auxiliary Stop ASM	51	85-6750	1	Spring-Control
26	3218-1	1	Nut-Jam				



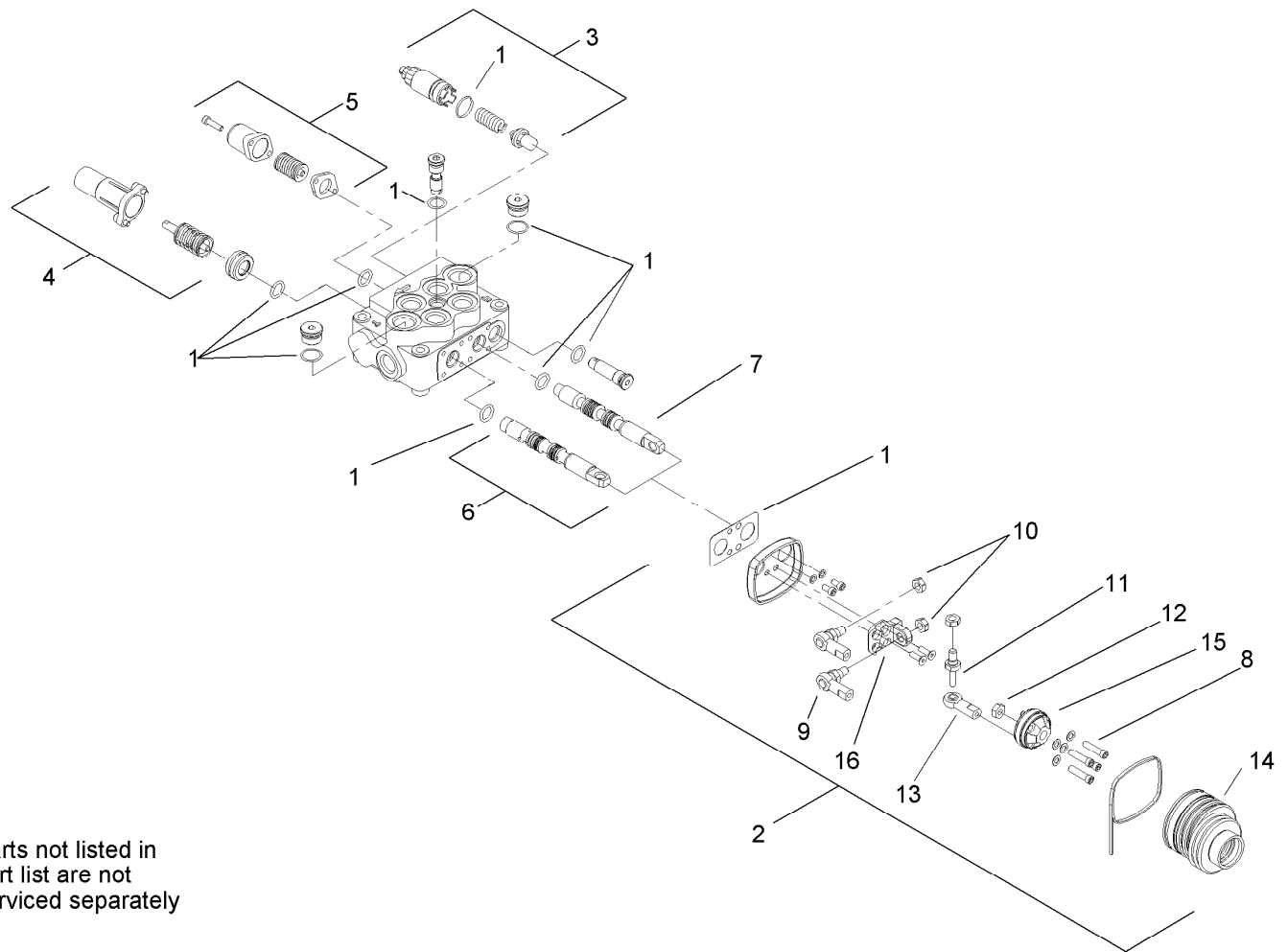
Traction Control Assembly

<i>Ref.</i>	<i>Part Number</i>	<i>Qty.</i>	<i>Description</i>	<i>Ref.</i>	<i>Part Number</i>	<i>Qty.</i>	<i>Description</i>
1	322-3	4	Screw-HH	21	257-8	1	Washer-Thrust
2	68-2970	2	Bushing	22	106-5737	1	Control Support ASM
3	3296-29	10	Nut-Lock, NI	22:2	256-252	2	Bearing-Flange
4	322-9	1	Screw-HH	27	92-3133	2	Spacer-Lever, Traction
5	251-259	1	Bearing-Ball	28	106-5745	1	Drive Rod ASM
6	88-7450	1	Spacer-Lever, Control	29	322-6	2	Screw-HH
8	3217-5	1	Nut-Hex	30	100-5440	2	Pin-Spring, Slotted
9	3253-3	1	Washer-Lock	31	3296-42	2	Nut-Lock, NI
10	323-8	1	Screw-HH	32	2411-53	2	Bearing-Rod End, LH
11	98-8407	1	Lever-Return, RH	33	106-5739	2	Arm-Control, Pump
12	105-1210	1	Spring-Extension	35	321-9	2	Screw-HH
13	63-2650	2	Screw-Shoulder	36	95-3711	2	Rod-Linkage
14	32151-91	1	Ring-Retaining	37	3220-2	2	Nut-Jam
15	3256-42	3	Washer-Flat	38	2411-52	2	Bearing-Rod End, RH
16	98-8408	1	Lever-Return, LH	39	3274-83	2	Screw-HSH
17	3296-39	1	Nut-Lock, NI	42	3256-39	6	Washer-Flat
18	104-9968	1	Pivot Lever ASM	43	95-3703	2	Washer-Spring, Wave
19	3256-22	1	Washer-Flat	44	3296-47	1	Nut-Lock,NI
20	3274-51	1	Screw-HSH				



Principal Hydraulic Assembly

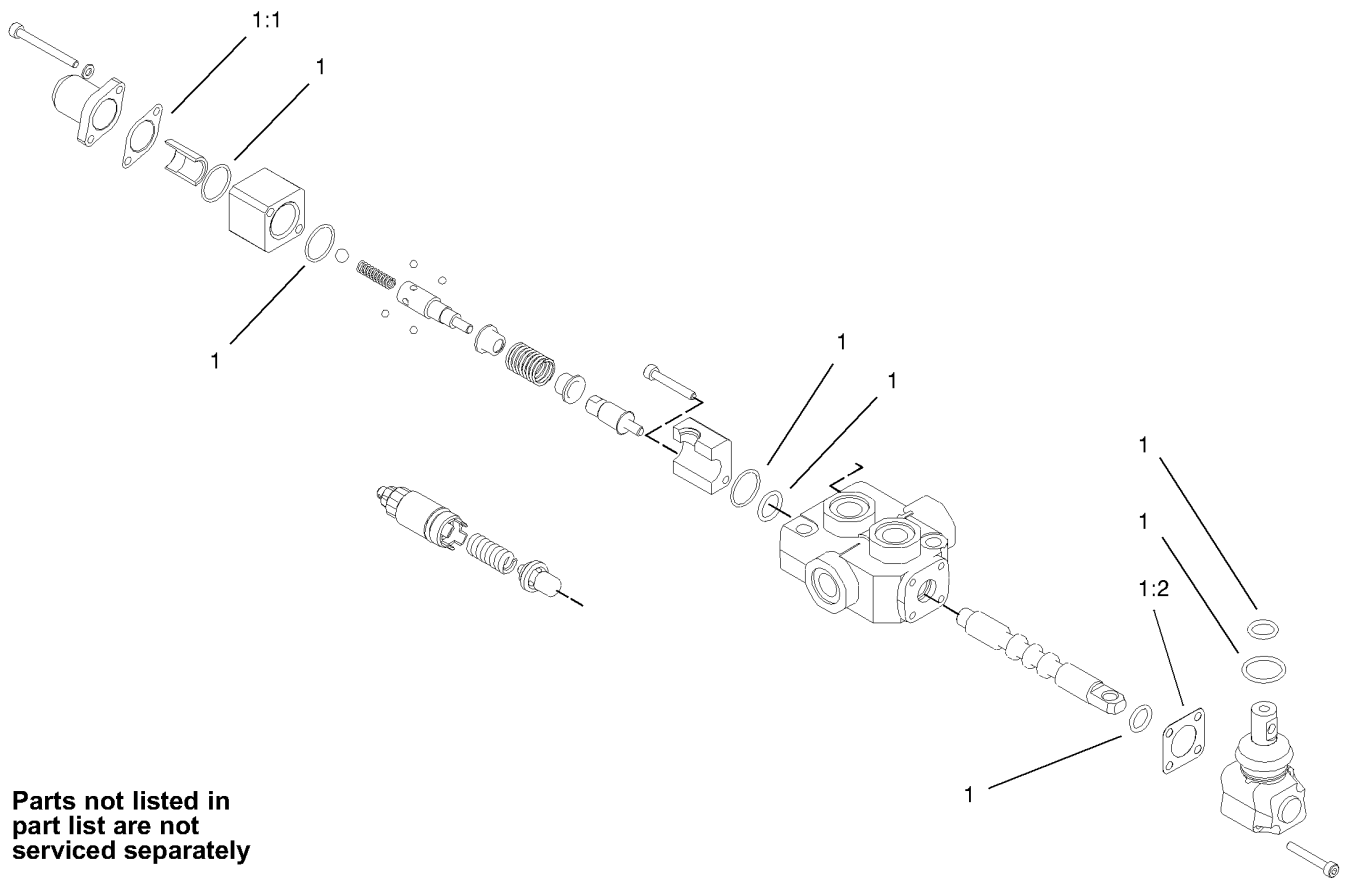
Ref.	Part Number	Qty.	Description	Ref.	Part Number	Qty.	Description
1	3296-29	5	Nut-Lock, NI	21	98-2790	1	HYD Tube ASM
2	340-68	2	Fitting-Tee, Bulkhead	22	98-2791	1	HYD Tube ASM
2:1	237-22	3	O-Ring	23	340-4	2	Fitting-Straight
3	340-71	4	Fitting-Straight, Bulkhead	23:1	237-30	1	O-Ring
3:1	237-22	2	O-Ring	23:2	237-79	1	O-Ring
4	354-79	1	Cap-Dust	24	322-11	2	Screw-HH
5	86-5480	1	Nipple-Test	25	104-2827	1	Spacer-Hiflo
6	340-18	1	Fitting-HYD, 90 DEG	26	100-4246	1	Auxiliary Lever ASM
6:1	237-79	1	O-Ring	27	92-6798	1	Cap-Rod, Tilt
6:2	237-22	1	O-Ring	28	3296-42	1	Nut-Lock, NI
7	340-98	2	Fitting-Elbow, 90 DEG	29	3256-16	1	Washer-Flat
7:1	237-79	1	O-Ring	30	100-6129	1	Spring-Torsion
7:2	237-30	1	O-Ring	31	104-2831	1	1 Spool Valve ASM
8	95-3536	1	Valve-2 Spool	32	340-153	2	Fitting-Elbow, 90 DEG
9	51-2070	1	Nut	32:1	237-79	1	O-Ring
10	95-3569	1	Shaft-Handle, Lift/Tilt	32:2	237-151	1	O-Ring
11	98-0152	1	Knob-Tapered	33	48-7740	1	Screw
12	322-12	3	Screw-HH	34	237-42	1	O-Ring
13	340-2	4	Fitting-Straight	35	72-4310	1	Switch-Ball
13:1	237-22	1	O-Ring	36	340-161	2	Fitting-Bulkhead
13:2	237-42	1	O-Ring	36:1	237-30	2	O-Ring
14	98-2788	1	HYD Tube ASM	37	104-5708	1	HYD Tube ASM
15	98-2784	1	HYD Tube ASM	39	340-70	6	Nut-Lock
16	98-2789	1	HYD Tube ASM	40	340-127	2	Nut-Bulkhead
17	98-2785	1	HYD Tube ASM	41	104-5709	1	HYD Tube ASM
18	100-1287	2	Conduit-Convolutd	42	104-5707	1	Tube-HYD
19	98-2787	1	HYD Tube ASM	43	104-5710	1	HYD Tube ASM
20	98-2786	1	HYD Tube ASM				



Parts not listed in
part list are not
serviced separately

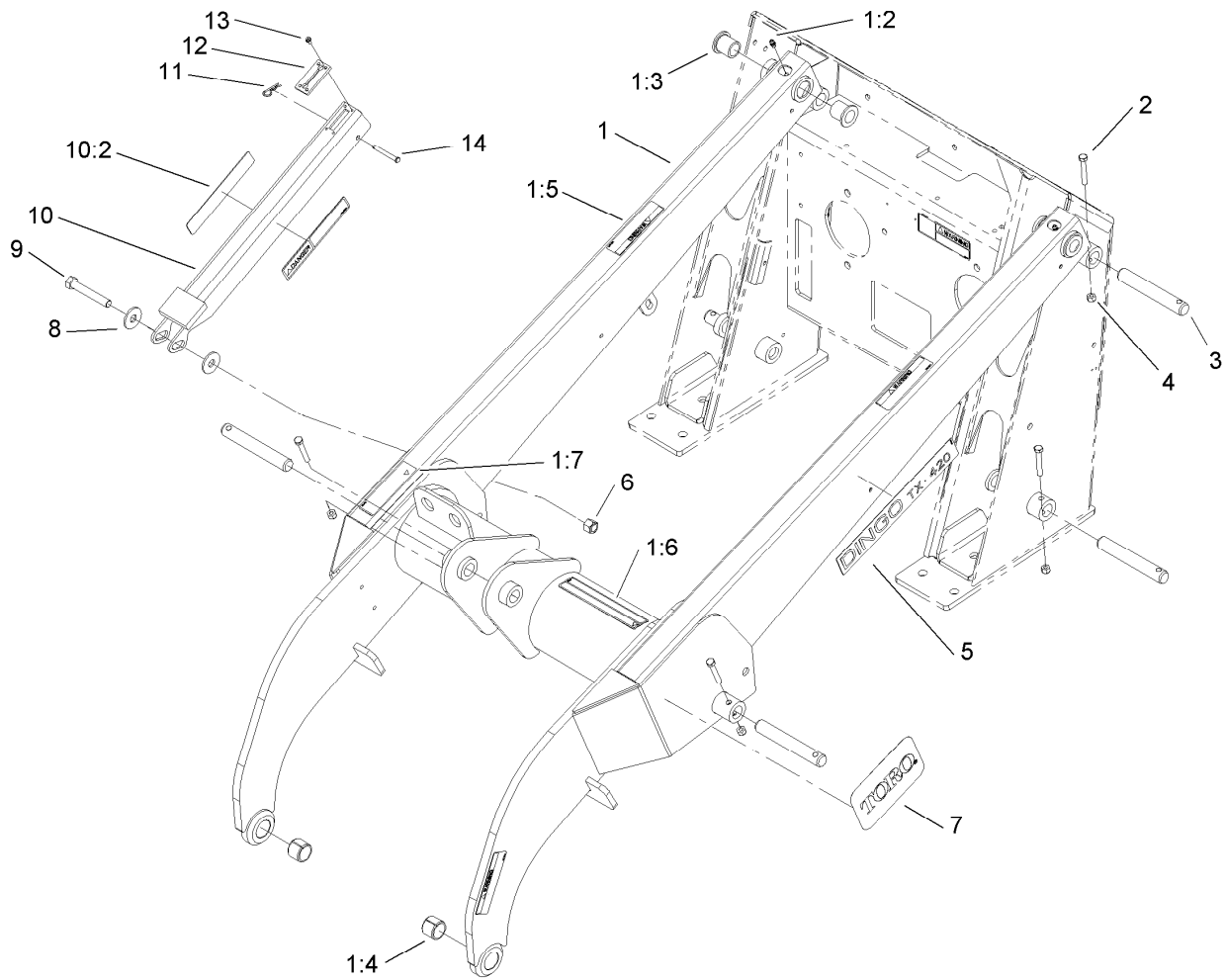
Two Spool Valve Assembly No. 95-3536

<i>Ref.</i>	<i>Part Number</i>	<i>Qty.</i>	<i>Description</i>
1	100-4249	1	Seal Kit
2	100-7230	1	Joystick Kit
3	100-8805	1	Valve-Relief
4	106-7569	1	Kit-Spring, Valve
5	106-7570	1	Kit-Spring
6	106-7571	1	Spool
7	106-7572	1	Spool
8	106-7573	4	Screw-Joystick
9	106-7574	2	Joint-Articulated
10	106-7575	3	Nut-Joystick
11	106-7576	1	Pin-Joystick
12	106-7577	1	Nut-Galvanised
13	106-7578	1	End-Rod
14	106-7697	1	Boot-Rubber
15	106-7698	1	Holder-Articulated
16	106-7699	1	Pivot-Valve



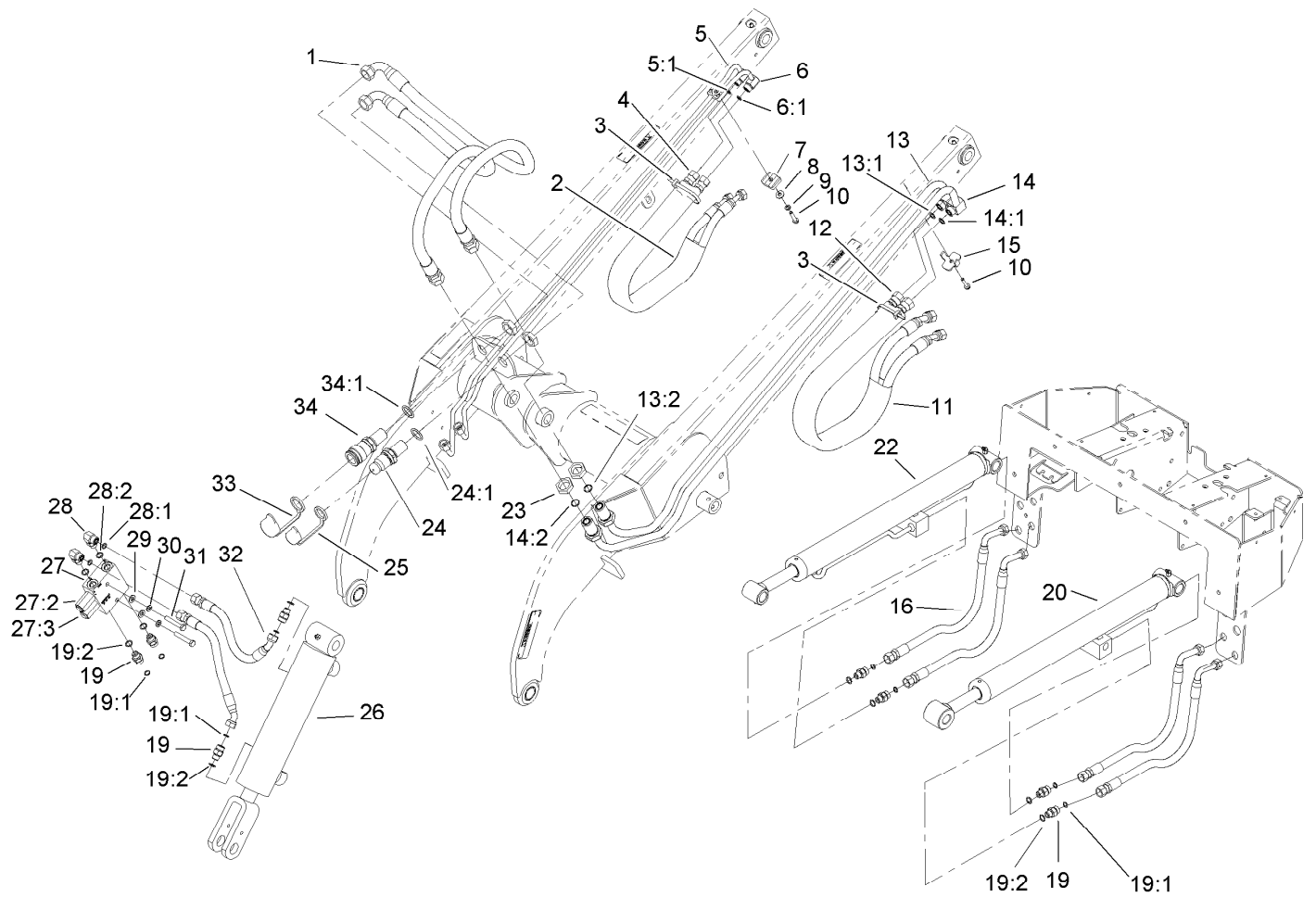
One Spool Valve Assembly No. 104-2831

<i>Ref.</i>	<i>Part Number</i>	<i>Qty.</i>	<i>Description</i>
1	99-4391	1	Seal Kit
1:1	99-3074	1	Gasket
1:2	99-3075	3	Gasket



Loader Arm Assembly

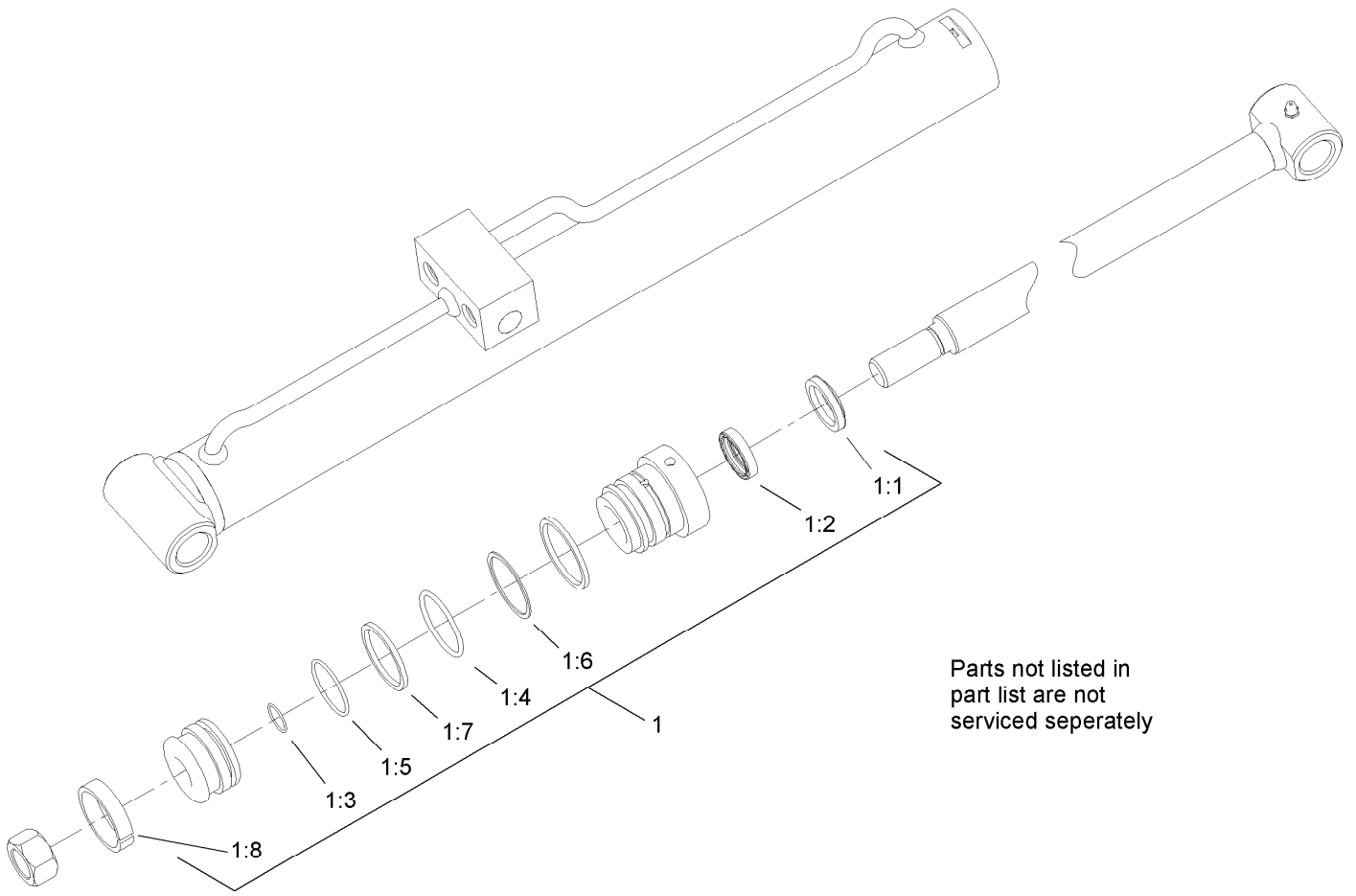
Ref.	Part Number	Qty.	Description
1	100-6145	1	Loader Arm ASM
1:2	302-5	2	Fitting-Grease
1:3	95-3577	4	Bushing
1:4	98-4871	2	Bushing-Tension
1:5	100-6141	4	Decal-Pinch
1:6	100-6132	1	Decal-Caution
1:7	100-6101	1	Decal-Caution
2	322-10	7	Screw-HH
3	104-2849	7	Pin-Locking
4	3296-29	7	Nut-Lock, NI
5	105-8430	2	Decal
6	3296-23	1	Nut-Lock, NI
7	105-1217	2	Decal
8	68-1440	2	Washer-Rubber
9	325-13	1	Screw-HH
10	100-6105	1	Locking Arm ASM
10:2	100-6135	2	Decal-Danger
11	3290-250	1	Pin-Cotter
12	98-0083	1	Stop-Rubber
13	32144-107	4	Screw
14	283-48	1	Pin-Clevis



Loader Arm Hydraulics Assembly

<i>Ref.</i>	<i>Part Number</i>	<i>Qty.</i>	<i>Description</i>	<i>Ref.</i>	<i>Part Number</i>	<i>Qty.</i>	<i>Description</i>
1	99-6193	2	Hose ASM	19:2	237-42	1	O-Ring
2	100-6127	1	Sleeve-Protective	20	104-6267	1	LH Lift Cylinder ASM
3	3290-378	2	Tie-Cable	22	104-6269	1	RH Lift Cylinder ASM
4	98-0213	2	Hose-HYD	23	340-74	4	Nut-Lock, Bulkhead
5	104-9965	1	HYD Tube ASM	24	105-8395	1	Bulkhead Nipple ASM
5:1	237-22	1	O-Ring	24:1	237-65	1	O-Ring
6	104-9964	1	HYD Tube ASM	24:2	100-6120	1	Seal Kit ●
6:1	237-22	1	O-Ring	25	100-8815	1	Cap-Dust, Nipple
7	56-7973	2	Clamp-Tube	26	105-8370	1	Tilt Cylinder ASM
8	3256-2	1	Washer-Flat	27	100-4205	1	Valve-Relief, Crossover
9	3253-3	1	Washer-Lock	27:1	100-4219	2	Seal Kit ●
10	32144-110	2	Screw-HWH	27:2	100-4220	1	Cartridge-Relief
11	100-6128	1	Sleeve-Protective	27:3	100-4221	1	Cartridge-Relief
12	98-0242	2	Hose-HYD	28	340-77	2	Fitting-Elbow, 90 DEG
13	104-9962	1	HYD Tube ASM	28:1	237-22	1	O-Ring
13:1	237-30	1	O-Ring	28:2	237-42	1	O-Ring
13:2	237-65	1	O-Ring	29	3256-23	2	Washer-Plain
14	104-9963	1	HYD Tube ASM	30	3253-4	2	Washer-Lock
14:1	237-30	1	O-Ring	31	322-10	2	Screw-HH
14:2	237-65	1	O-Ring	32	98-0207	2	Hose-HYD
15	98-0237	1	Plate-Clamp, Tube	33	100-8816	1	Cap-Dust, Coupler
16	98-0216	4	Hose-HYD	34	105-8394	1	Bulkhead Coupler ASM
19	340-2	8	Fitting-Straight	34:1	237-65	1	O-Ring
19:1	237-22	1	O-Ring	34:2	105-8396	1	Seal Kit ●

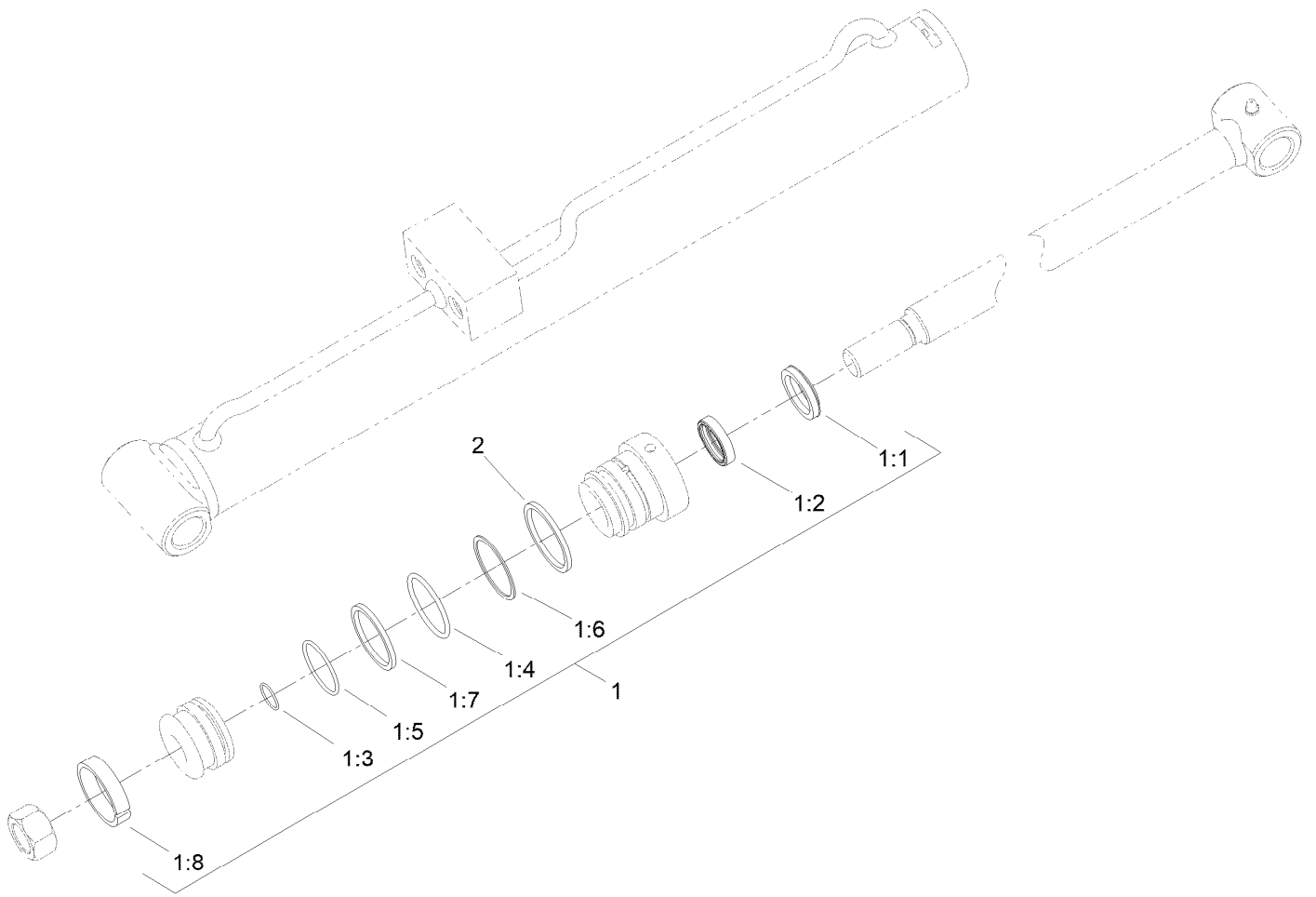
● Not illustrated



Left Hand Hydraulic Lift Cylinder Assembly No. 104-6267

<i>Ref.</i>	<i>Part Number</i>	<i>Qty.</i>	<i>Description</i>
1	104-6268	1	Seal Kit
1:1		1	Wiper ●
1:2		1	Seal ASM ●
1:3		1	Seal-Dust ●
1:4		1	Seal-Dust ●
1:5		1	Seal-Dust ●
1:6		1	Back-Up ●
1:7		1	Seal ASM ●
1:8		1	Ring-Wear ●

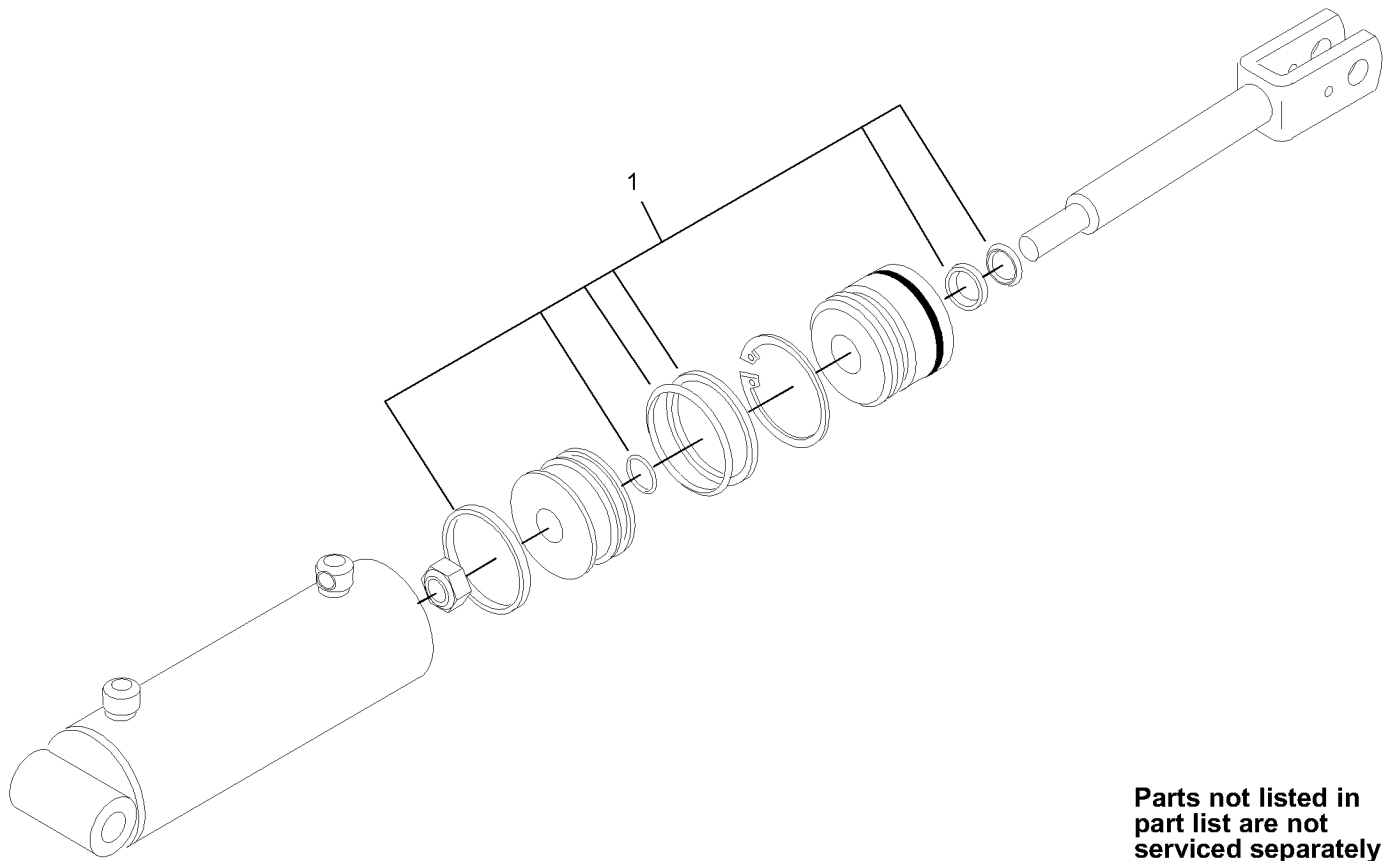
● Not serviced separately



Right Hand Hydraulic Lift Cylinder Assembly No. 104-6269

<i>Ref.</i>	<i>Part Number</i>	<i>Qty.</i>	<i>Description</i>
1	104-6268	1	Seal Kit
1:1		1	Wiper ●
1:2		1	Seal ASM ●
1:3		1	Seal-Dust ●
1:4		1	Seal-Dust ●
1:5		1	Seal-Dust ●
1:6		1	Back-Up ●
1:7		1	Seal ASM ●
1:8		1	Ring-Wear ●
2	161-7281	1	Ring - Retaining

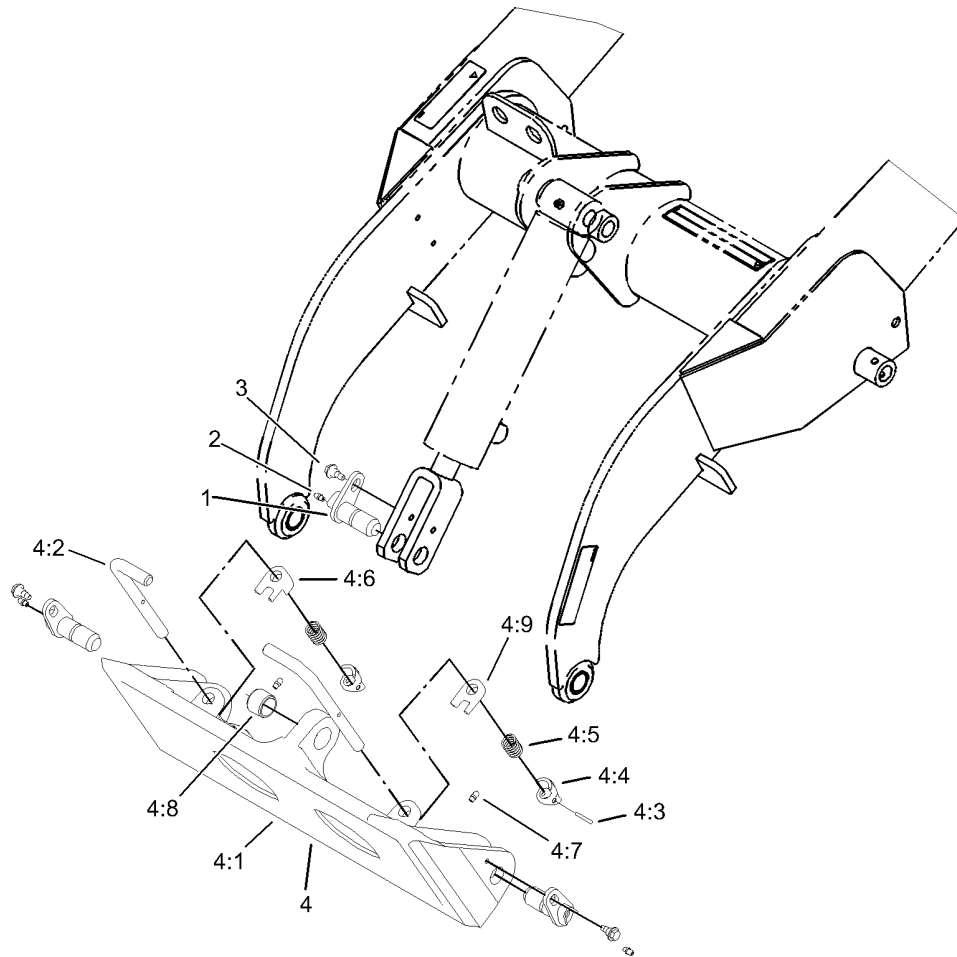
● Not serviced separately



Parts not listed in
part list are not
serviced separately

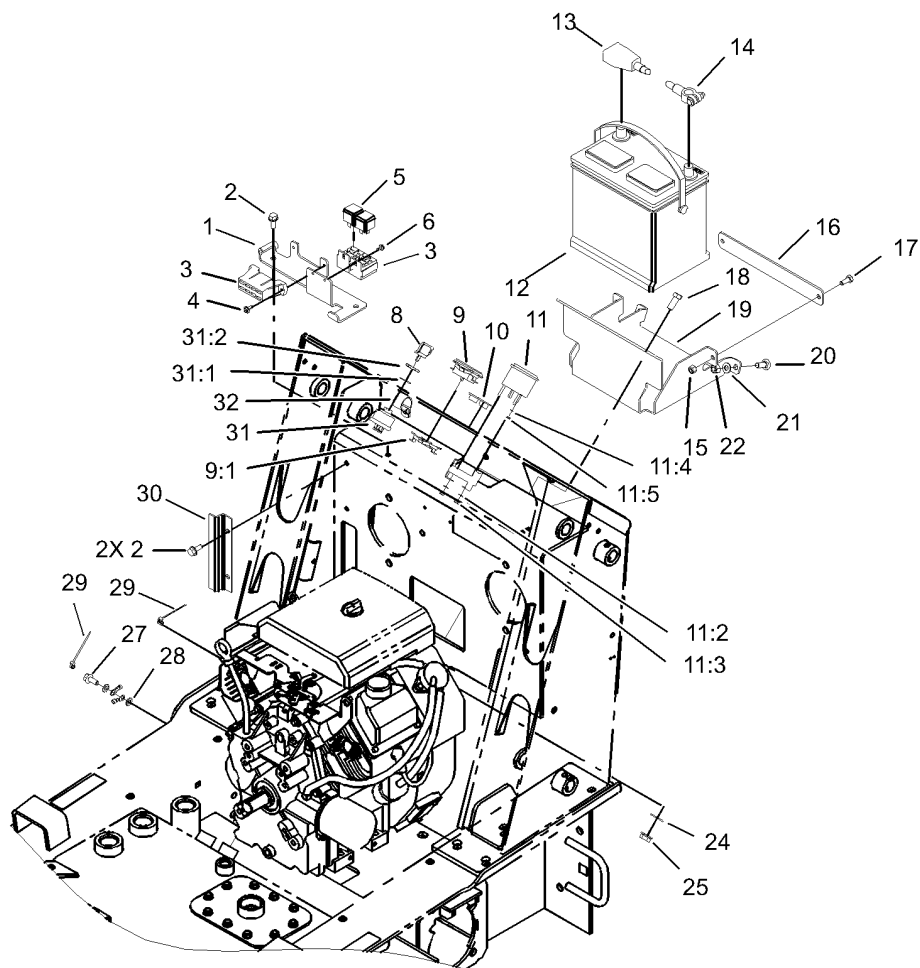
Hydraulic Cylinder Assembly No. 105-8370

<i>Ref.</i>	<i>Part Number</i>	<i>Qty.</i>	<i>Description</i>
1	106-7567	1	Seal Kit



Quick Attach Assembly

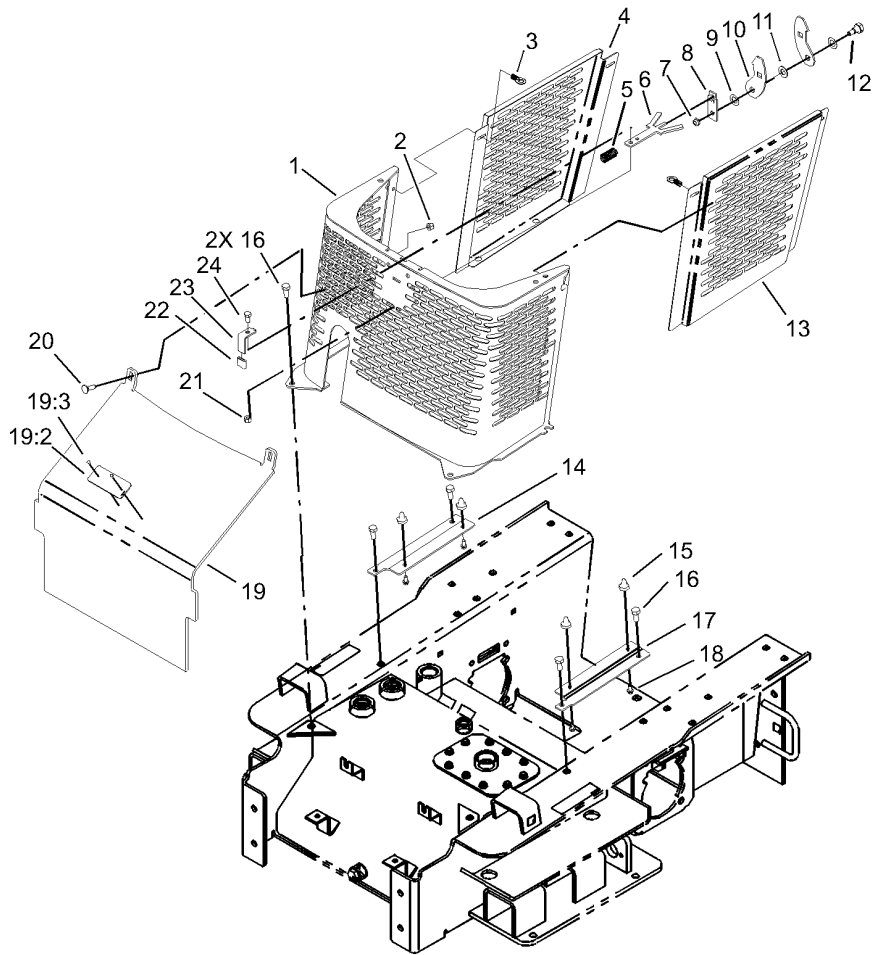
<i>Ref.</i>	<i>Part Number</i>	<i>Qty.</i>	<i>Description</i>
1	99-1414	3	Pin-Pivot
2	302-5	3	Fitting-Grease
3	99-5105	3	Screw-Shoulder
4	105-8364	1	Quick Attach ASM
4:1	105-0245-03	1	Mount-Attach, Quick
4:2	105-8367	2	Pin-Locking
4:3	3285-1	2	Pin-Grooved
4:4	105-0246	2	Cam
4:5	98-4694	2	Spring-Compression
4:6	104-5909	1	Stop-RH
4:7	302-5	2	Fitting-Grease
4:8	98-4871	1	Bushing-Tension
4:9	104-5903	1	Stop-LH



Electrical System Assembly

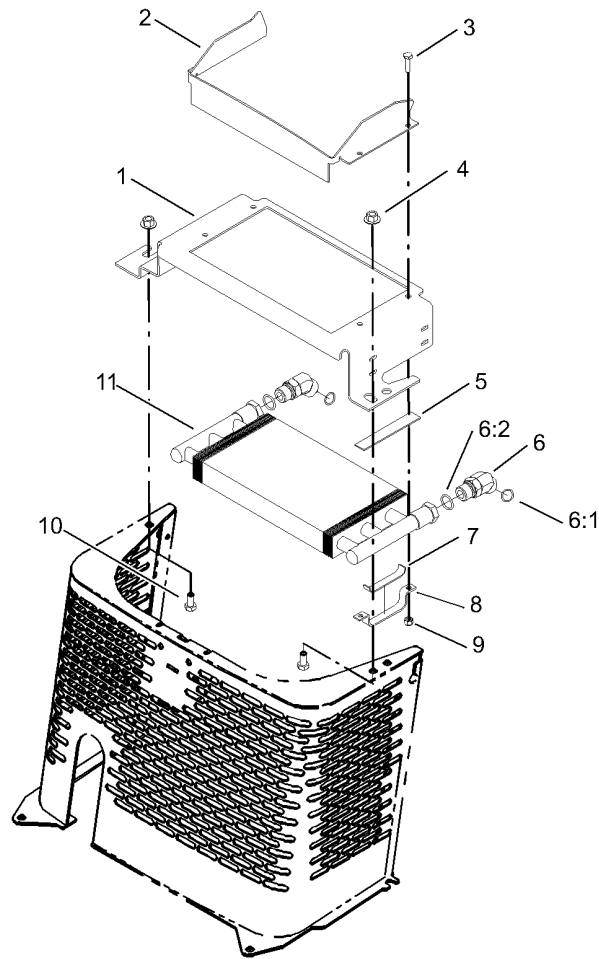
Ref.	Part Number	Qty.	Description	Ref.	Part Number	Qty.	Description
1	106-2558-03	1	Fuse/Relay Bracket ASM	13	99-6185	1	Cable-Battery, Positive
2	32144-70	4	Screw-HWHTF	14	99-6186	1	Cable-Battery, Negative
3	106-4152	1	Harness-Wire	15	3296-29	2	Nut-Lock, NI
3:1	114594	1	Fuse-10 Amp ●	16	105-0371-01	1	Clamp-Battery
3:2	109102	1	Fuse-Blade, 25 Amp ●	17	322-3	2	Screw-HH
3:3	NN10277	1	Fuse-30 Amp ●	18	324-4	2	Screw-HH
3:4	109355	1	Fuse-Blade, 15 Amp ●	19	105-0370-01	1	Tray-Mounting, Battery
4	12-5450	2	Screw	20	3231-22	2	Screw-CARR
5	98-7249	2	Relay	21	3256-38	2	Washer-Flat
6	104-2065	2	Screw-HWH	22	3296-39	2	Nut-Lock, NI
8	63-8360	3	Key-Ignition	24	3256-4	2	Washer-Flat
9	104-7427	1	Inductive Hourmeter ASM	25	32128-42	2	Nut-HF
9:1	104-4234	1	Clip-Mounting	27	33104-020	1	Screw-HHF
10	99-7420	1	Plug-Hole	28	3255-8	2	Washer-Lock
11	66-2940	1	Gauge-Fuel	29	3290-381	2	Tie-Cable
11:2	3254-1	2	Washer-Lock, Int	30	100-6117-01	1	Shield-Wiring
11:3	3217-27	2	Nut-Hex	31	88-9830	1	Key Switch ASM
11:4	3255-24	3	Washer-Lock / EXT	31:1	3254-5	1	Washer-Lock
11:5	3217-16	3	Nut-Hex	31:2	218-461	1	Nut-HH
12	104-9979	1	Battery	32	2412-41	1	Clamp-R

● Not illustrated



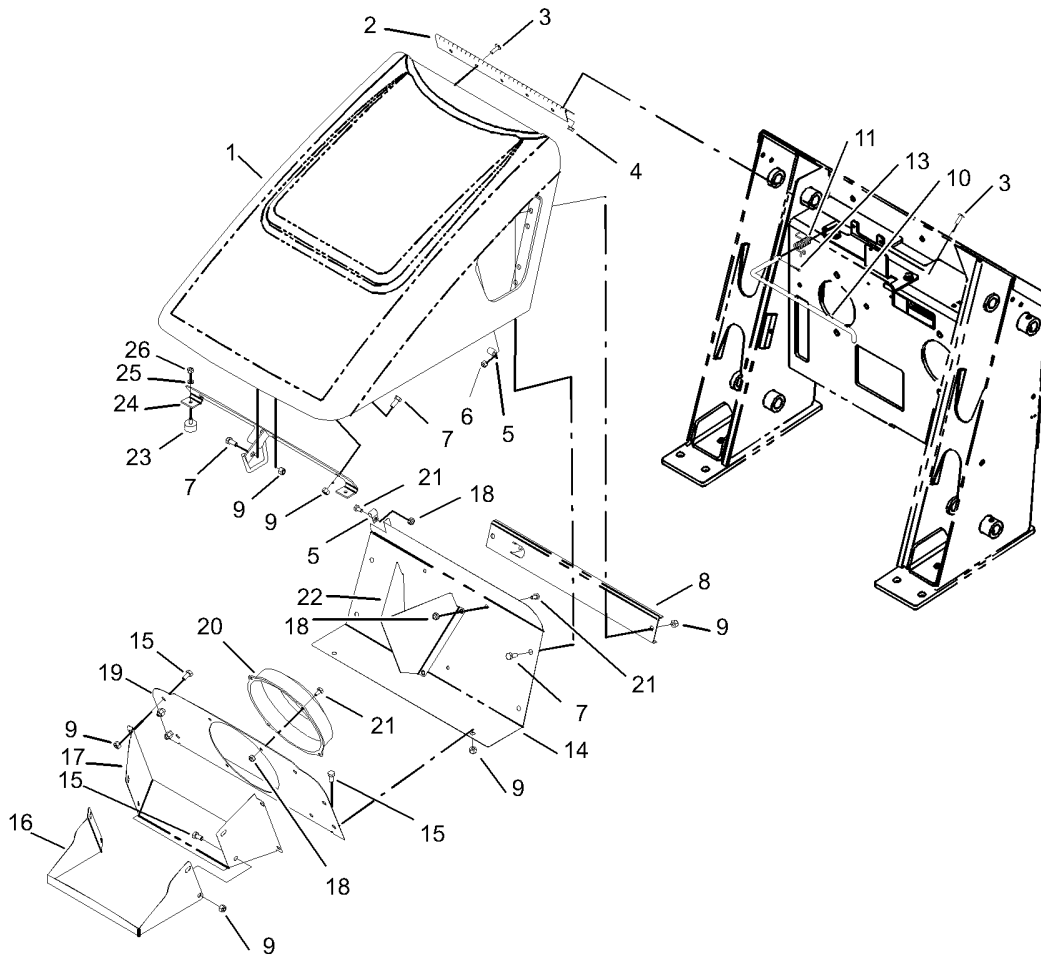
Grill Assembly

<i>Ref.</i>	<i>Part Number</i>	<i>Qty.</i>	<i>Description</i>	<i>Ref.</i>	<i>Part Number</i>	<i>Qty.</i>	<i>Description</i>
1	100-1282-03	1	Grill ASM	14	100-1280-03	1	Support-Side Panel, RH
2	3296-29	2	Nut-Lock, NI	15	95-3989	4	Mount-Sidepanel
3	95-4013	2	Latch ASM	16	95-1726	6	Screw-Taptite
4	105-0380-03	1	Panel-Side, RH	17	100-1281-03	1	Support-Side Panel, LH
5	100-6102	1	Spring-Compression	18	46-8093	4	Screw-Plastite
6	100-4226	1	Lever-Latch	19	105-0395	1	Heat Shield ASM
7	3296-59	1	Nut-Lock, NI	19:2	80-8290	1	Plate-Surface, Hot
8	100-4225	1	Spacer-Latch	19:3	3269-31	2	Rivet-Pop
9	47-2910	1	Washer-Thrust	20	3230-28	2	Screw-CARR
10	100-4224	2	Latch-Hood	21	3296-29	1	Nut-Lock, NI
11	257-10	2	Washer-Thrust	22	100-1655	1	Grip-Handle
12	27-5240	1	Bolt-Shoulder	23	100-4223	1	Handle-Latch
13	105-0379-03	1	Panel-Side, LH	24	322-2	1	Screw-HH



Hydraulic Oil Cooler Assembly

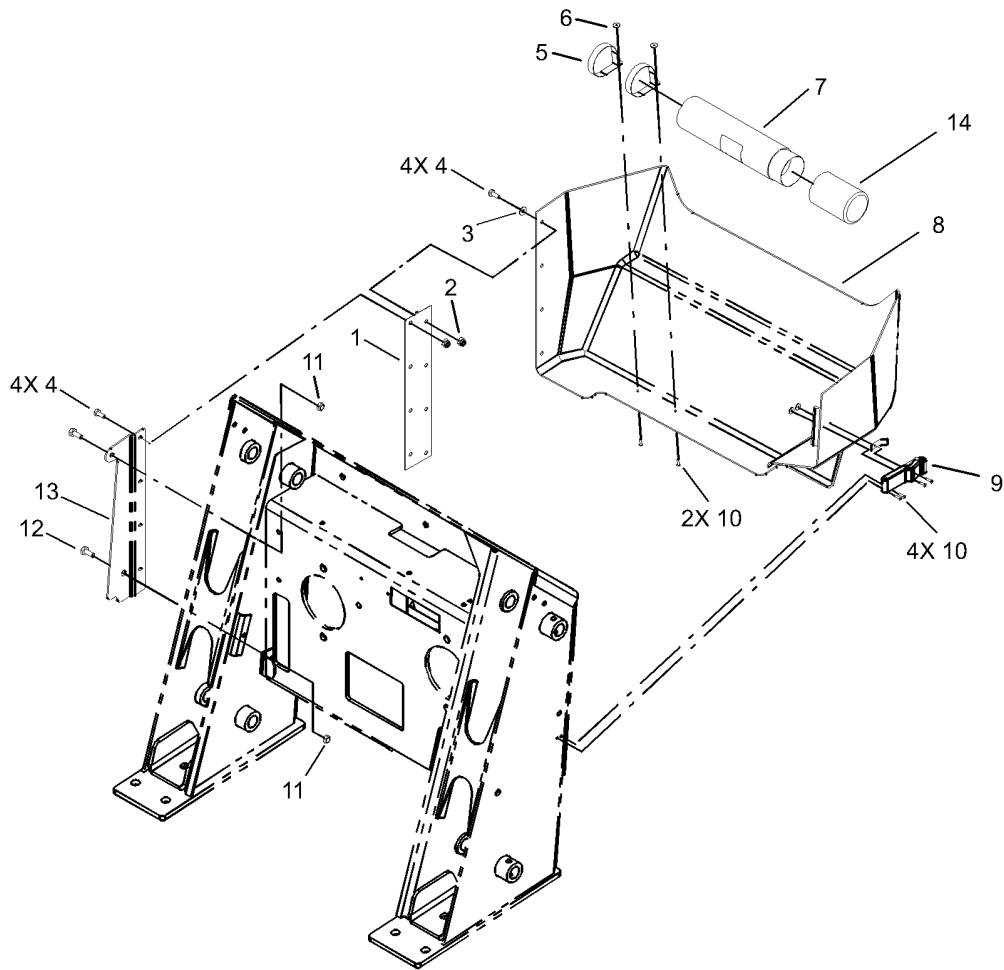
<i>Ref.</i>	<i>Part Number</i>	<i>Qty.</i>	<i>Description</i>
1	104-2801-03	1	Bracket-Cooler
2	104-2802-03	1	Shield-Cooler
3	321-6	4	Screw-HH
4	32128-43	3	Nut-Flange
5	94-9566	2	Pad-Footrest
6	340-14	2	Fitting-HYD, 45 DEG
6:1	237-65	1	O-Ring
6:2	237-80	1	O-Ring
7	104-2816	2	Pad-Support
8	104-2803	2	Support-Cooler
9	3296-42	4	Nut-Lock, NI
10	323-4	3	Screw-HH
11	105-0352	1	Exchanger-Heat



Hood Assembly

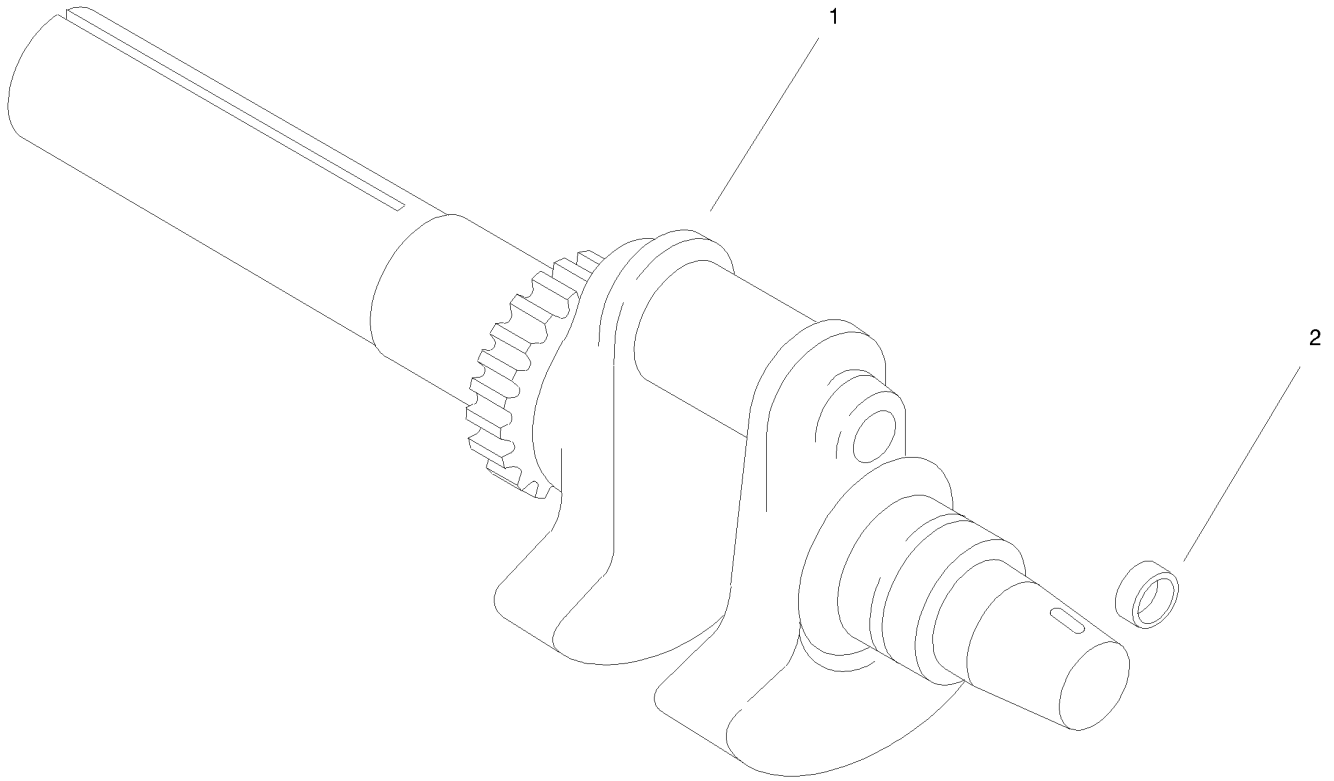
<i>Ref.</i>	<i>Part Number</i>	<i>Qty.</i>	<i>Description</i>
1	106-2590	1	Engine Hood ASM
2	100-1284	1	Hinge-Hood
3	9114604	9	Screw-Head, Truss
4	32128-33	4	Nut-HF
5	2412-91	2	Clamp
6	3296-42	5	Nut-Lock, NI
7	322-3	14	Screw-HH
8	106-2555-03	1	Bracket-Support, Hood
9	3296-29	22	Nut-Lock, NI
10	106-2554	1	Rod-Support, Hood
11	106-2584	1	Spring-Torsion
13	3272-6	1	Pin-Cotter
14	106-2596-03	1	Bracket-Fan, Back

<i>Ref.</i>	<i>Part Number</i>	<i>Qty.</i>	<i>Description</i>
15	322-2	8	Screw-HH
16	104-2813-03	1	Shroud-Fan, Front
17	106-2597-03	1	Shroud-Fan
18	3296-16	9	Nut-Lock, NI
19	106-2595-03	1	Bracket-Baffle, Fan
20	104-2809	1	Fan
21	321-2	9	Screw-HH
22	104-2811-03	1	Baffle-Fan
23	240-14	2	Bumper-Rubber
24	100-1297-03	1	Rod Latch ASM
25	3253-3	2	Washer-Lock
26	3217-5	2	Nut-Hex



Rear Access Cover Assembly

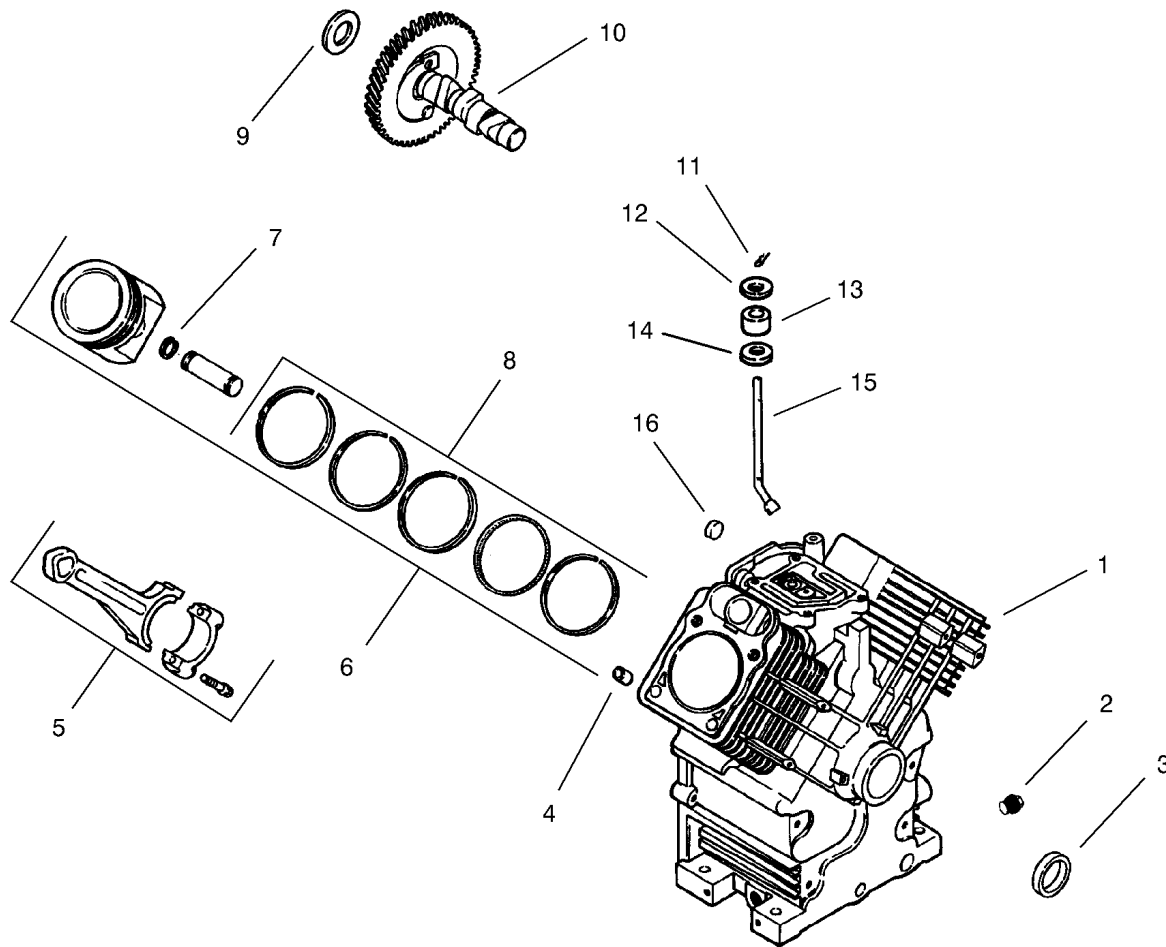
<i>Ref.</i>	<i>Part Number</i>	<i>Qty.</i>	<i>Description</i>
1	100-1290	1	Hinge-Cover
2	3296-16	8	Nut-Lock, NI
3	3256-1	4	Washer-Flat
4	321-39	8	Screw-HH
5	2412-120	2	Clamp-R
6	3269-10	4	Washer-Back
7	104-7050	1	Tube-Manual
8	100-1288	1	Cover-Back
9	80-6980	1	Latch
10	3269-17	8	Rivet-Pop
11	3296-47	2	Nut-Lock,NI
12	322-3	2	Screw-HH
13	100-1289-01	1	Bracket-Hinge, Cover
14	104-7048	1	Cap-Housing



Crankshaft Assembly Kohler CH20S-64656

<i>Ref.</i>	<i>Part Number</i>	<i>Qty.</i>	<i>Description</i>
1	24 014 90-S	1	Crankshaft ●
2	52 139 09-S	1	Plug-Cup ●

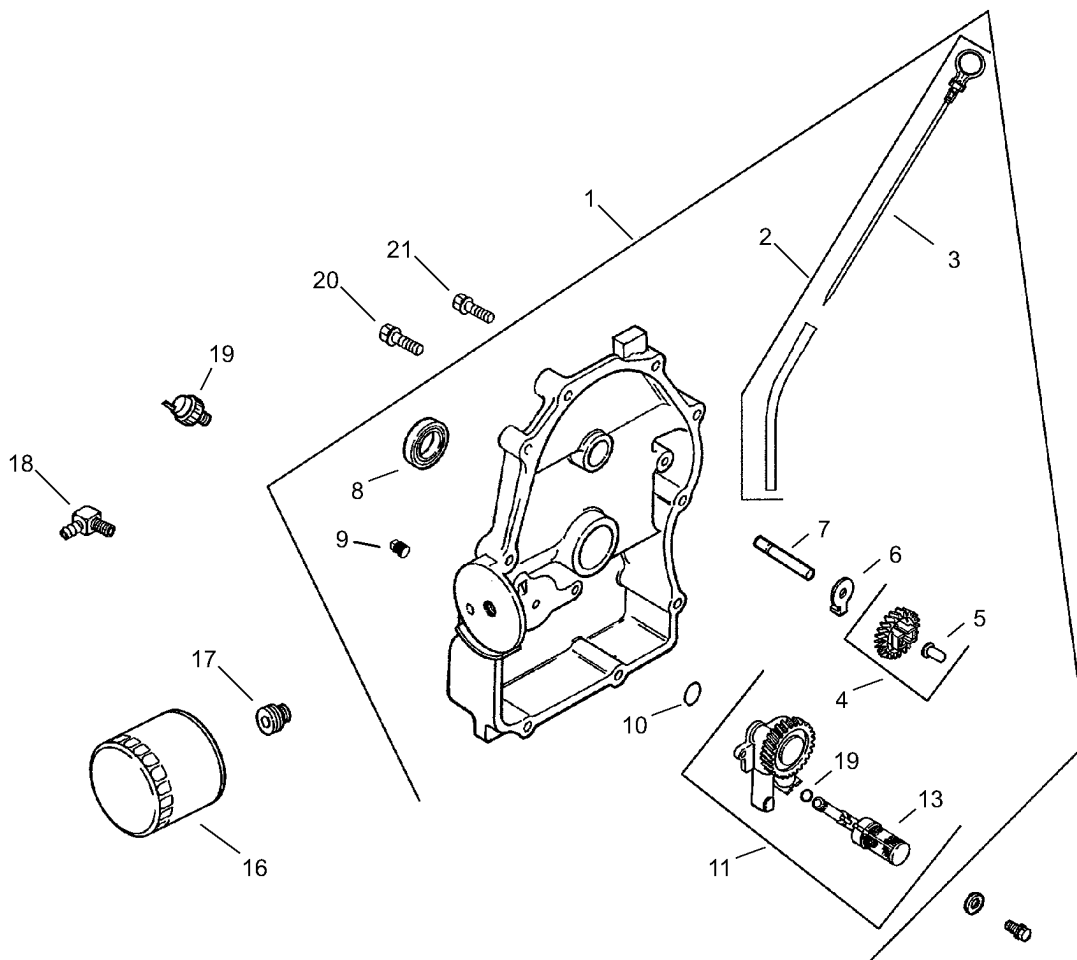
● Obtain Parts From Kohler



Crankcase Assembly Kohler CH20S-64656

Ref.	Part Number	Qty.	Description	Ref.	Part Number	Qty.	Description
1		1	Crankcase (Use Miniblock 24 782 15) ●	12 422 07-S	0	Shim-Camshaft (White .028) ●	
2	52 139 02-S	2	Plug-Pipe Head, 3/8 ●	12 422 08-S	0	Shim-Camshaft (Blue .03) ●	
3	24 032 01-S	1	Seal-Oil ●	12 422 10-S	0	Shim-Camshaft (Yellow .034) ●	
4	12 380 13-S	6	Pin, Dowel Locating ●	12 422 11-S	0	Shim-Camshaft (Green .036) ●	
5	24 067 13-S	2	Rod-Connecting (Standard) ●	12 422 12-S	0	Shim-Camshaft (Gray .038) ●	
	24 067 14-S	2	Rod-Connecting (.25) ●	10	24 012 10-S	1	Camshaft Kit ●
6	24 874 01-S	2	Piston W/Ring Set (Std.) ●	11	24 018 09-S	1	Retainer-Ring ●
	24 874 02-S	2	Piston W/Ring Set (.25) ●	12	M-931010-S	1	Washer-Flat (9MM) ●
	24 874 03-S	2	Piston W/Ring Set (.50) ●	13	28 032 09-S	1	Seal-Cross Shaft, Governor ●
	24 874 14-S	2	Piston ASM (.08) ●	14	24 468 15-S	1	Washer-Flat (11/32) ●
7	24 018 01-S	4	Retainer-Pin, Piston ●	15	24 144 33-S	1	Shaft-Cross, Governor ●
8	24 108 01-S	2	Set-Ring (STD) ●	16	52 139 09-S	1	Plug-Cup ●
	24 108 02-S	2	Ring Set (.25) ●				
	24 108 03-S	2	Ring Set (.50) ●				
9	12 422 09-S	0	Shim-Camshaft (Red .032) ●				
	12 422 13-S	0	Shim-Camshaft (Black .04) ●				

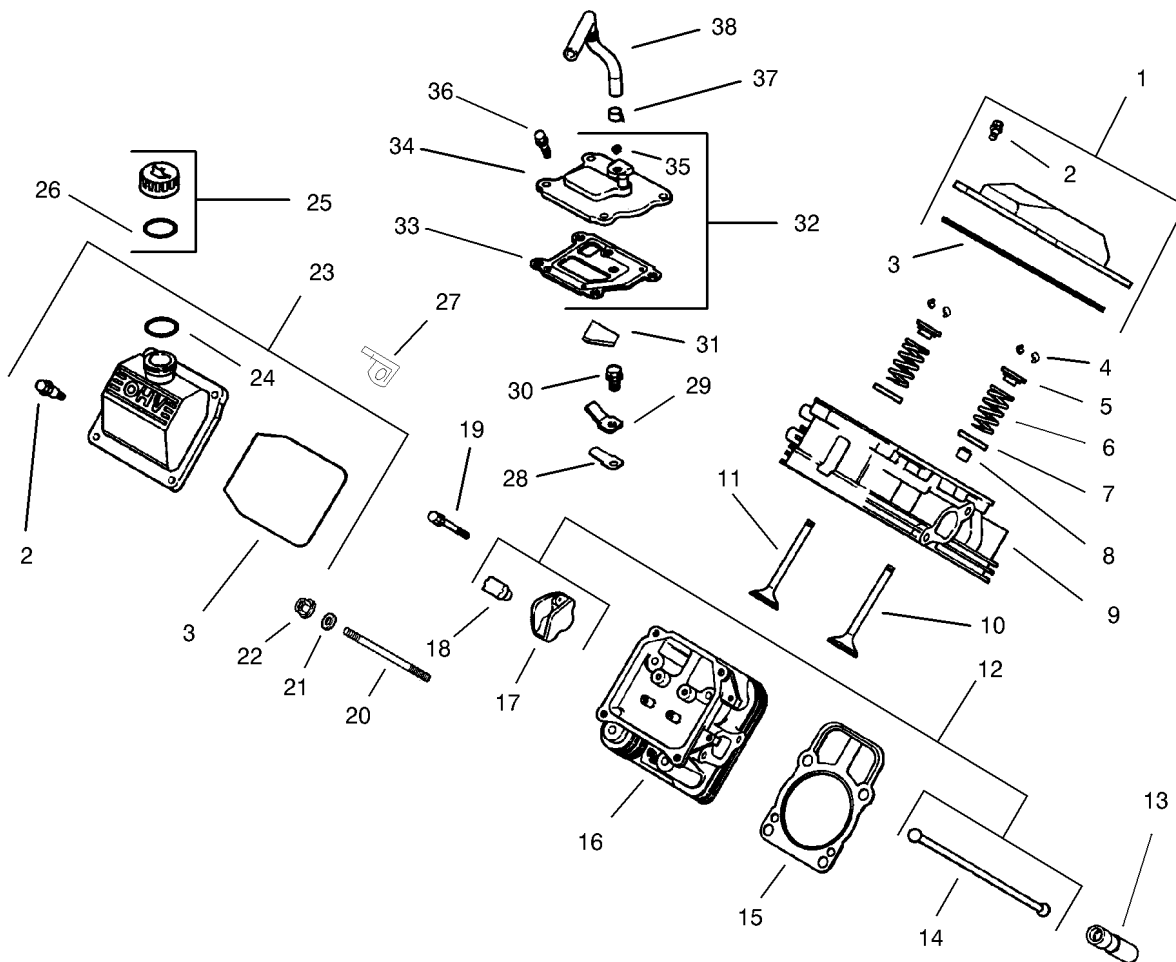
● Obtain Parts From Kohler



Oil Pan/Lubrication Assembly Kohler CH20S-64656

Ref.	Part Number	Qty.	Description
1	24 009 92-S	1	Plate, Closure ASM (Includes 2-13) ●
2	24 755 121-S	1	Dipstick & Tube Kit (Includes 3) ●
3	24 038 10-S	1	Dipstick ●
4	24 043 12-S	1	Kit, Governor Gear (Includes 5) ●
5	12 380 01-S	1	Pin-Regulating, Governor ●
6	52 448 02-S	1	Tab-Locking ●
7	12 144 02-S	1	Shaft-Gear, Governor ●
8	52 032 08-S	1	Seal-Oil (P-T-O End) ●
9	X-75-23-S	2	Plug ●
10	24 153 08-S	1	O-Ring ●
11	24 393 10-S	1	Oil Pump Assembly (Includes 12,13) ●
12	24 153 01-S	1	O-Ring ●
13	24 381 04-S	1	Tube-Pick Up, Oil ●
14	M-631005-S	2	Washer-Flat (6 MM) ●
15	M-645025-S	2	Screw-Flange, Thread Forming (M6X1.0X25) ●
16	52 050 02-S	1	Filter-Oil ●
17	24 136 01-S	1	Nipple-Filter, Oil ●
18	25 155 02-S	1	Connector-Hose, 90 Deg ●
19	24 099 03-S	1	Switch-Pressure, Oil ●
20	24 086 16-S	9	Screw-HF (M8X1.25X45) ●
21	24 086 17-S	1	Screw-Flange (M8X1.25X45) ●

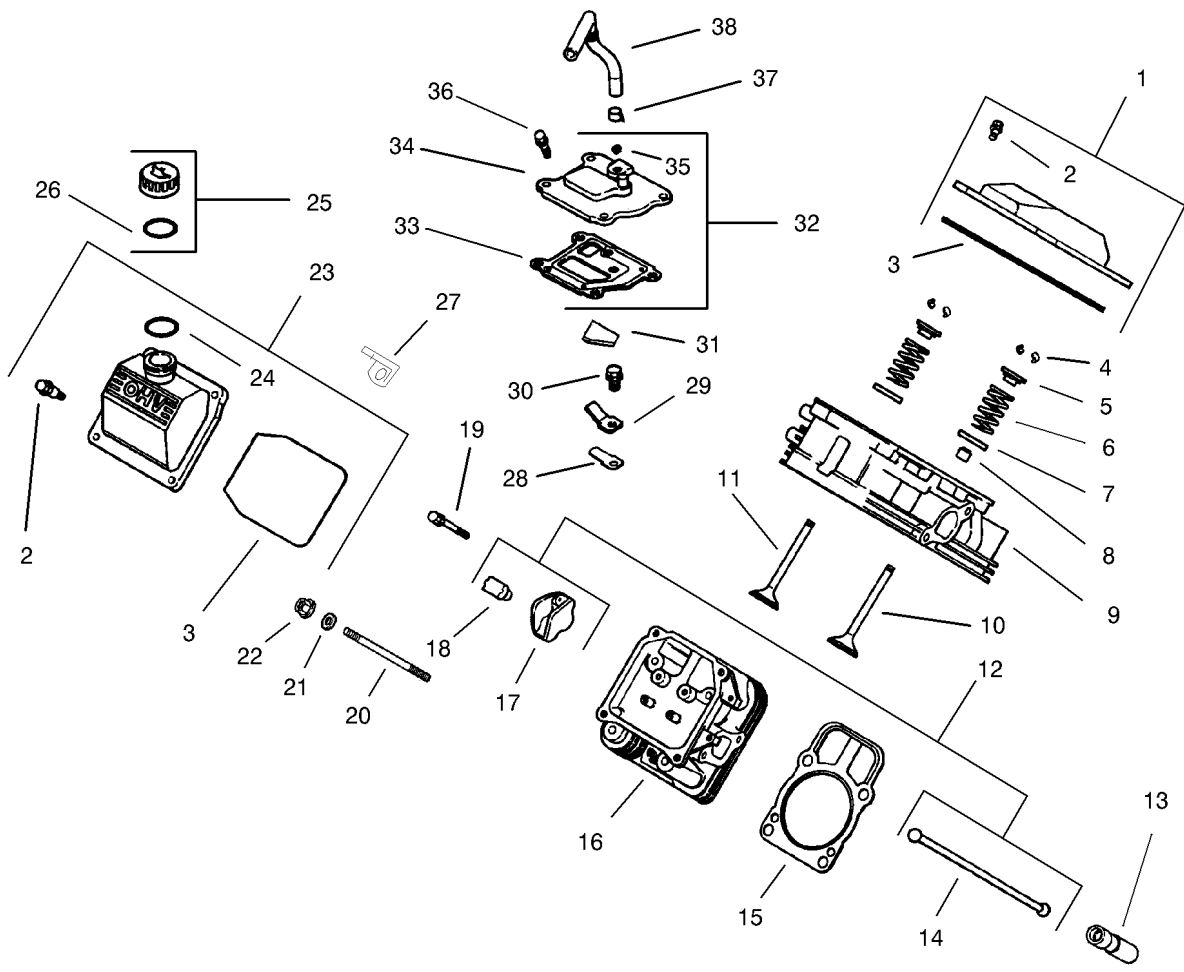
● Obtain Parts From Kohler



Head/Valve/Breather Assembly Kohler CH20S-64656

Ref.	Part Number	Qty.	Description	Ref.	Part Number	Qty.	Description
1	24 755 74-S	1	Kit, Valve Cover-Plain (Includes 2-3) ●	19	M-640034-S	4	Screw-Flange (M6X1.0X34) ●
2	24 086 32-S	4	Screw-Shoulder (M6X1.0X30) ●	20	24 072 09-S	1	Stud (M8X1.25Xm10X1.5X105MM) ●
3	24 153 16-S	1	O-Ring ●	21	24 468 16-S	1	Washer-Flat (8.6 MM) ●
4	12 755 03-S	4	Retainer Kit ●	22	24 100 10-S	1	Nut-Flange (M8X1.25) ●
5	12 173 01-S	4	Cap-Spring, Valve ●	23	24 755 75-S	1	Kit, Valve Cover-Oil Fill (Includes 2,3,23) ●
6	24 089 02-S	4	Spring-Valve ●	24	24 153 09-S	1	O-Ring ●
7	235011-S	4	Retainer-Spring ●	25	24 755 46-S	1	Kit, Oil Fill Cap (Includes 24) ●
8	24 032 05-S	2	Seal-Stem, Valve ●	26	12 153 03-S	1	O-Ring ●
9	24 318 68-S	1	No. 1 Cylinder Head ASM ●	27	24 445 01-S	1	Strap-Lifting ●
10	24 017 01-S	2	Valve-Intake (STD) ●	28	24 402 03-S	1	Reed-Breather ●
	24 017 02-S	2	Valve-Intake (.25) ●	29	12 018 01-S	1	Retainer-Reed, Breather ●
11	24 016 01-S	2	Valve-Exhaust (STD) ●	30	M-545010-S	1	Screw-HHFTF (M5X.80X10) ●
	24 016 02-S	2	Valve-Exhaust (.25) ●	31	24 050 01-S	1	Filter-Breather ●
12	24 755 66-S	1	Kit, Valve Train (Includes 15,18,19) ●	32	24 033 01-S	1	Kit, Breather (Includes 33-35) ●
13	12 351 01-S	4	Lifter-Valve ●	33	24 041 23-S	1	Gasket-Breather ●
14	24 411 05-S	4	Rod-Push ●	34	24 096 58-S	1	Cover-Breather ●
15	24 041 08-S	2	Gasket-Head, Cylinder ●				
16	24 318 71-S	1	No. 2 Cylinder Head ASM ●				
17	25 186 01-S	4	Arm-Rocker ●				
18	24 599 01-S	4	Pivot-Arm, Rocker ●				

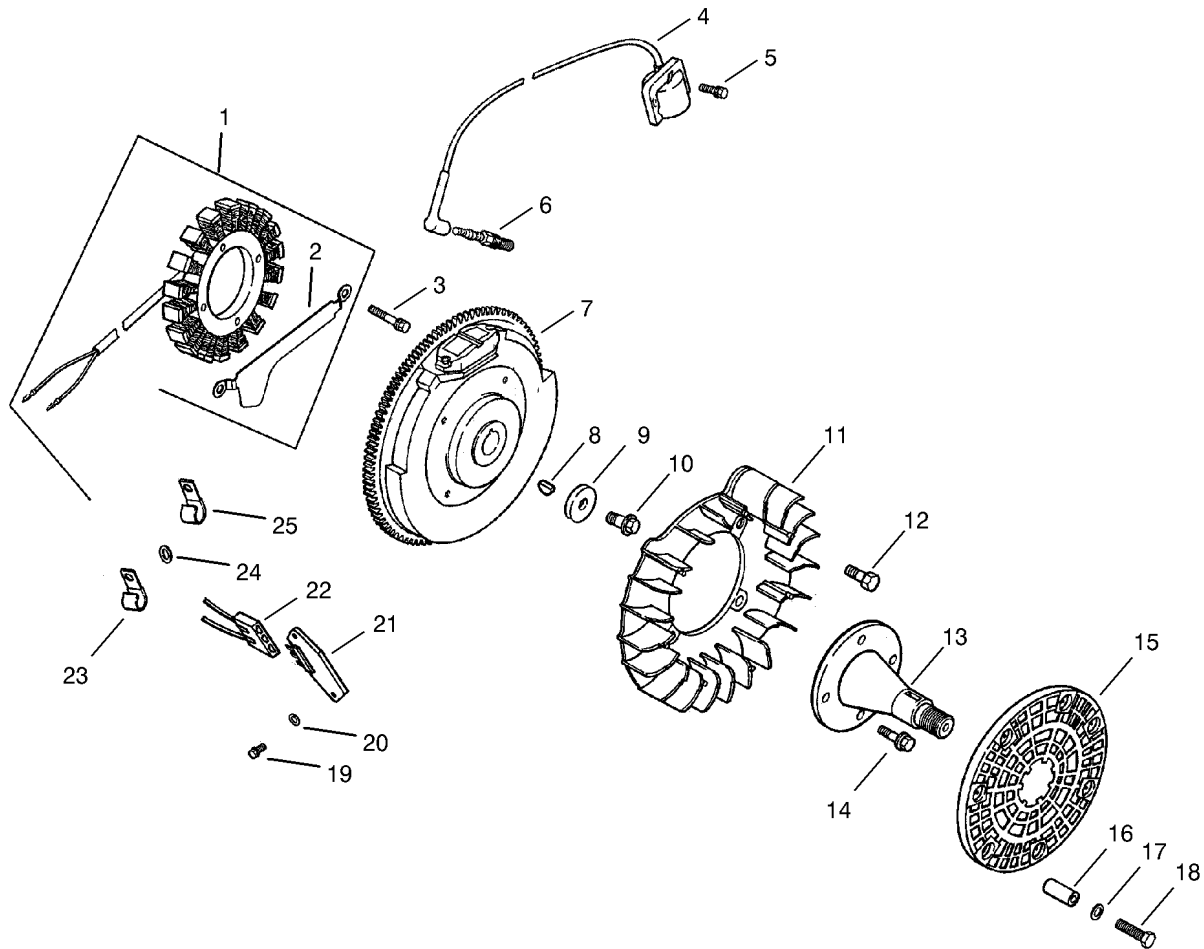
● Obtain Parts From Kohler



Head/Valve/Breather Assembly Kohler CH20S-64656 (continued)

Ref.	Part Number	Qty.	Description	Ref.	Part Number	Qty.	Description
35	X-75-23-S	1	Plug ●	37	X-426-9-S	1	Clamp ●
36	M-645020-S	4	Screw-HHFTF (M6X1.0X20) ●	38	24 326 26-S	1	Hose-Breather ●

● Obtain Parts From Kohler

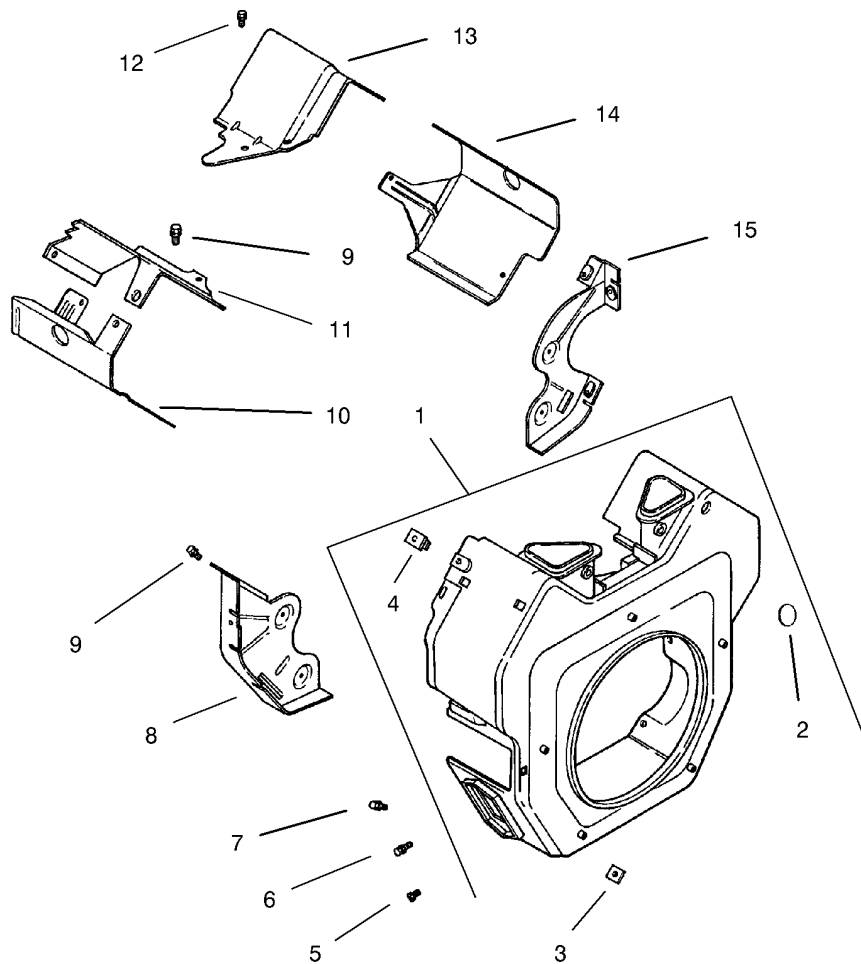


Ignition/Electrical Assembly Kohler CH20S-64656

Ref.	Part Number	Qty.	Description	Ref.	Part Number	Qty.	Description
1	54 755 09-S	1	Kit, 15 Amp Stator (Includes 2) ■	16	24 122 04-S	4	Spacer ■
2	24 126 71-S	1	Bracket-Wire, Stator ■	17	X-25-92-S	2	Washer-Flat (.188) ■
3	M-548025-S	2	Screw-Thread Forming (M5X0.8X25) ■	18	M-403025-S	4	Screw-Slotted Head (M4X0.7X25) ■
4	24 584 01-S	2	Module-Ignition ■	19	24 086 18-S	2	Screw-Phi HD (11-16X.88) ■
5	M-545020-S	4	Screw-Flange, Thread Forming (M5X.8X20) ■	20	X-25-92-S	2	Washer-Flat (.188) ■
6	12 132 06-S	2	Spark Plug ■	21	25 403 03-S	1	Rectifier-Regulator, 15 Amp ■
7	24 025 01-S	1	Flywheel ■	22	236602-S	1	Connector (3 Contact) ■
8	X-42-15-S	1	Key (3/16 X 5/8) ■	23	235173-S	1	Clip-Cable ■
9	12 468 03-S	1	Washer-Flat (13/32) ■	24	X-25-63-S	1	Washer-Flat (1/4) ■
10	12 086 14-S	1	Screw-Flange (M10X1.5X45) ■	25	48 154 02-S	1	Clip-Cable ■
11	24 157 03-S	1	Fan ■	25 518 12-S	1	Lead-Black (5"-18Ga.) ■●	
12	25 086 47-S	4	Bolt-Shoulder (M6X1.0X16) ■	25 086 91-S	1	Screw-Wsh HD Tap (8-18X.50) ■●	
13	24 144 13-S	1	Shaft-Drive, Front ■	24 176 08-S	1	Harness-Wiring ■●	
14	M-839025-S	4	Screw-HF (M8X1.25X25) ■	X-22-11-S	1	Washer-Lock, Internal Tooth (1/4) ■●	
15	24 162 18-S	1	Screen-Grass ■	25 454 03-S	2	Tie-Wire ■●	

● Not illustrated

■ Obtain Parts From Kohler

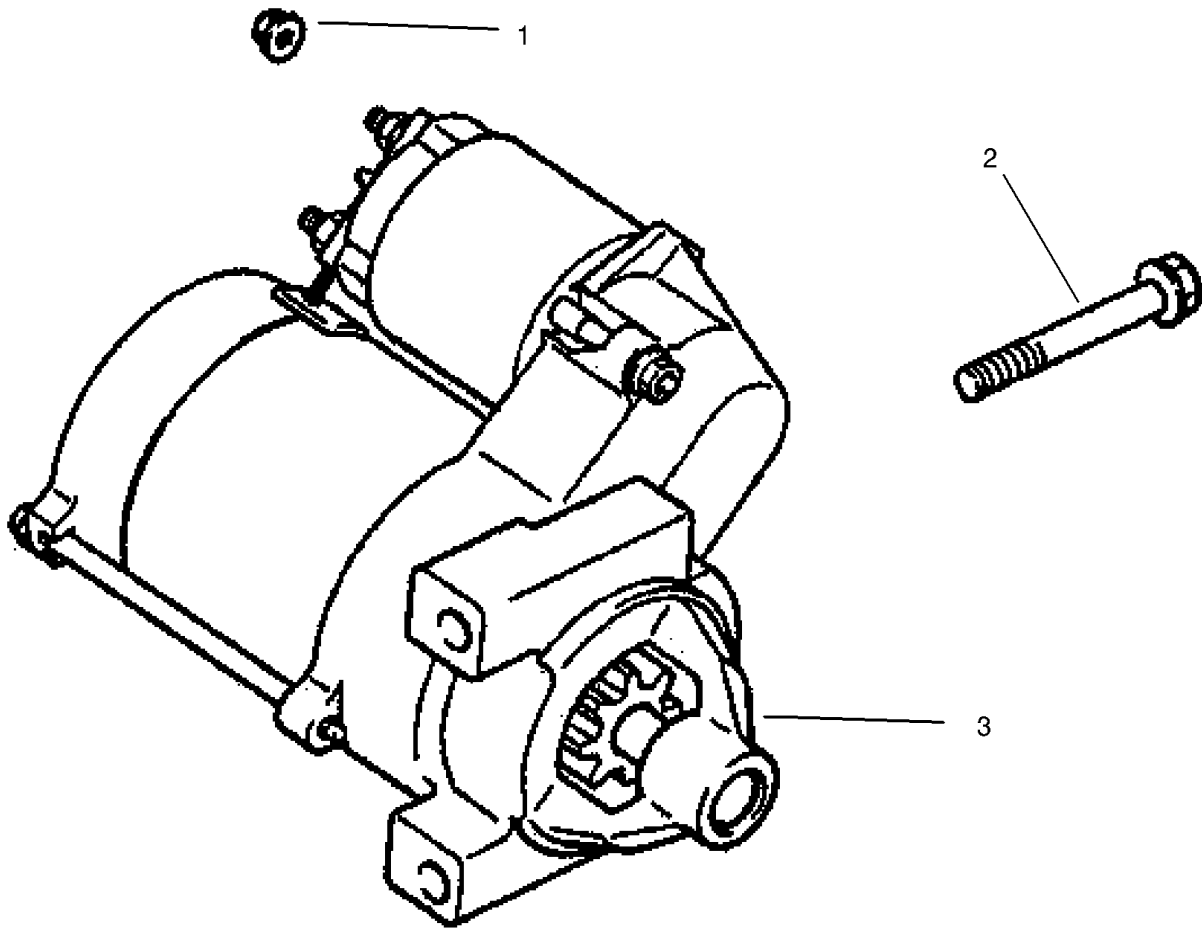


Blower Housing Assembly Kohler CH20S-64656

Ref.	Part Number	Qty.	Description
1	24 027 20-S	1	Housing, Blower (Includes 2-4) ■
2	25 139 16-S	1	Plug-Button (9/16) ■
3	24 100 01-S	3	Nut-Plastic ■
4	24 100 02-S	2	Nut-Plastic ■
5	M-551016-S	1	Screw-Hex Flange, Heavy (M5X0.8X16) ■
6	M-545016-S	3	Screw-Flange, Thread Forming (M5X0.8X16) ■
7	M-545020-S	4	Screw-Flange, Thread Forming (M5X.8X20) ■
8	24 146 16-S	1	Plate-Backing (No. 2 Side) ■
9	M-645016-S	6	Screw-Flange, Thread Forming (M6X1.0X16) ■
10	24 063 20-S	1	Baffle-Barrel, Cylinder (No. 2 Side) ■
11	24 063 17-S	1	Baffle-Valley (No. 2 Side) ■
12	M-545010-S	2	Screw-HHFTF (M5X.80X10) ■
13	24 063 24-S	1	Baffle-Valley, No. 1 Side ■
14	24 063 58-S	1	Baffle-Barrel, Cylinder (No. 1 Side) ■
15	24 146 20-S	1	Plate-Backing (No. 1 Side) ■
	24 113 95-S	1	Decal-20 HP ■●

● Not illustrated

■ Obtain Parts From Kohler

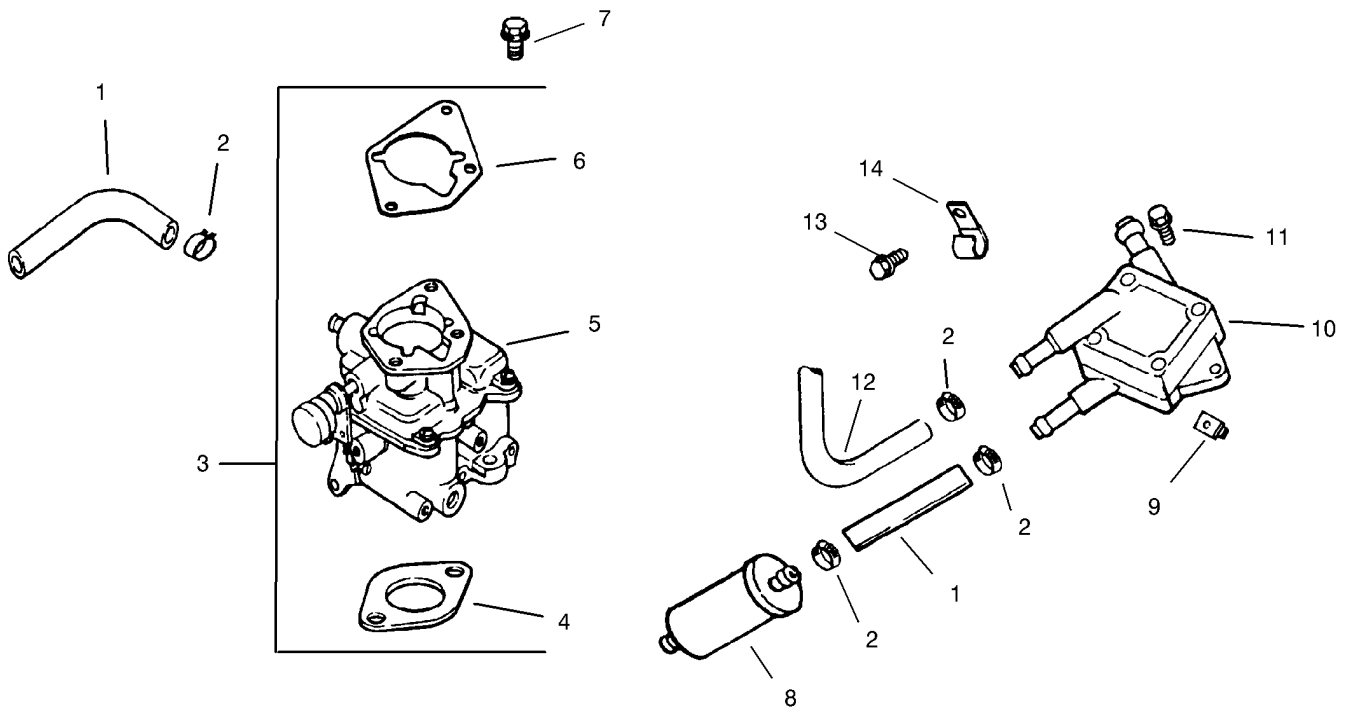


Starter Assembly Kohler CH20S-64656

Ref.	Part Number	Qty.	Description
1	M-841080-S	1	Nut-Flange (M8X1.25) ■
2	M-839080-S	2	Screw-Flg (M8X1.25X80) ■
3	24 098 08-S	1	Starter-Solenoid Shift (Incl #4-18) ■
	25 755 33-S	1	Kit, Pinion Drive (Incl. Ring 24 141 01-S) ■●
	25 221 01-S	1	Brush Holder Kit ■●
	25 435 04-S	1	Solenoid Kit ■●

● Not illustrated

■ Obtain Parts From Kohler

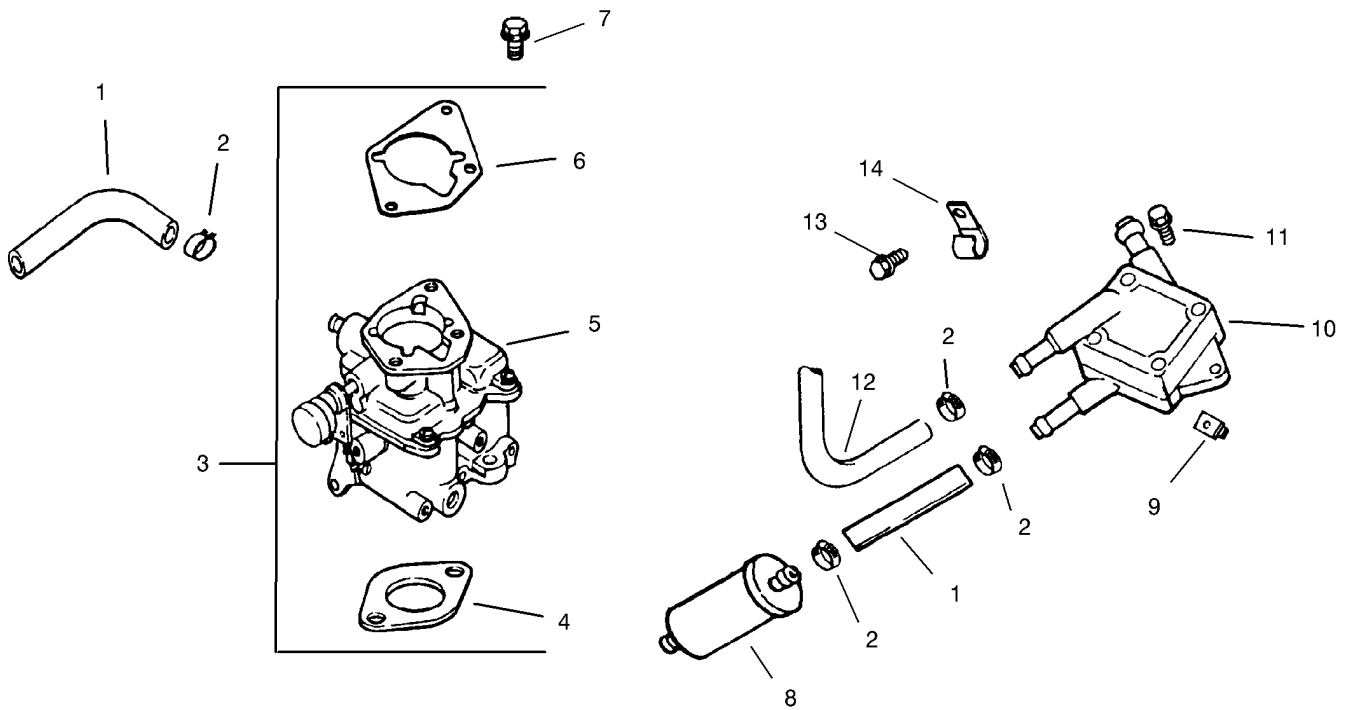


Fuel System Assembly Kohler CH20S-64656

Ref.	Part Number	Qty.	Description
1	25 353 32-S	2	Line-Fuel (9.5) ■
2	25 237 14-S	6	Clamp-Hose, Spring (1/2) ■
3	24 853 32-S	1	Kit, Carburetor W/Gasket (Incl. 4-6) ■
4	24 041 06-S	1	Gasket-Base, Air Cleaner ■
5	24 053 32-S	1	Carburetor ASM(Includes 25 757 01-S,24 757 02-S,24 757 03-S, &24 757 07-S) ■
6	24 041 17-S	1	Gasket-Carburetor ■
7	M-651030-S	2	Screw-Flange (M6X1.0X30) ■
8	24 050 02-S	1	Filter-Fuel ■
9	24 100 01-S	2	Nut-Plastic ■
10	24 393 16-S	1	Pump-Fuel ■
11	24 086 12-S	2	Screw-TAP (M6X1.7X18) ■
12	24 353 02-S	1	Line-Fuel, Flexible (15.5) ■
13	M-650012-S	1	Screw-HF (M6X1.0X12) ■
14	47 154 01-S	1	Clip-Cable ■
	24 757 01-S	1	Kit, Solenoid (Includes Solenoid 24 521 01-S, O-Ring 24 153 04-S, O-Ring 24 153 05-S, O-Ring 24 153 06-S, Solenoid Screw 24 086 07-S, & Solenoid 24 435 01-S) ■●
	24 757 02-S	1	Float Repair Kit ■●

● Not illustrated

■ Obtain Parts From Kohler

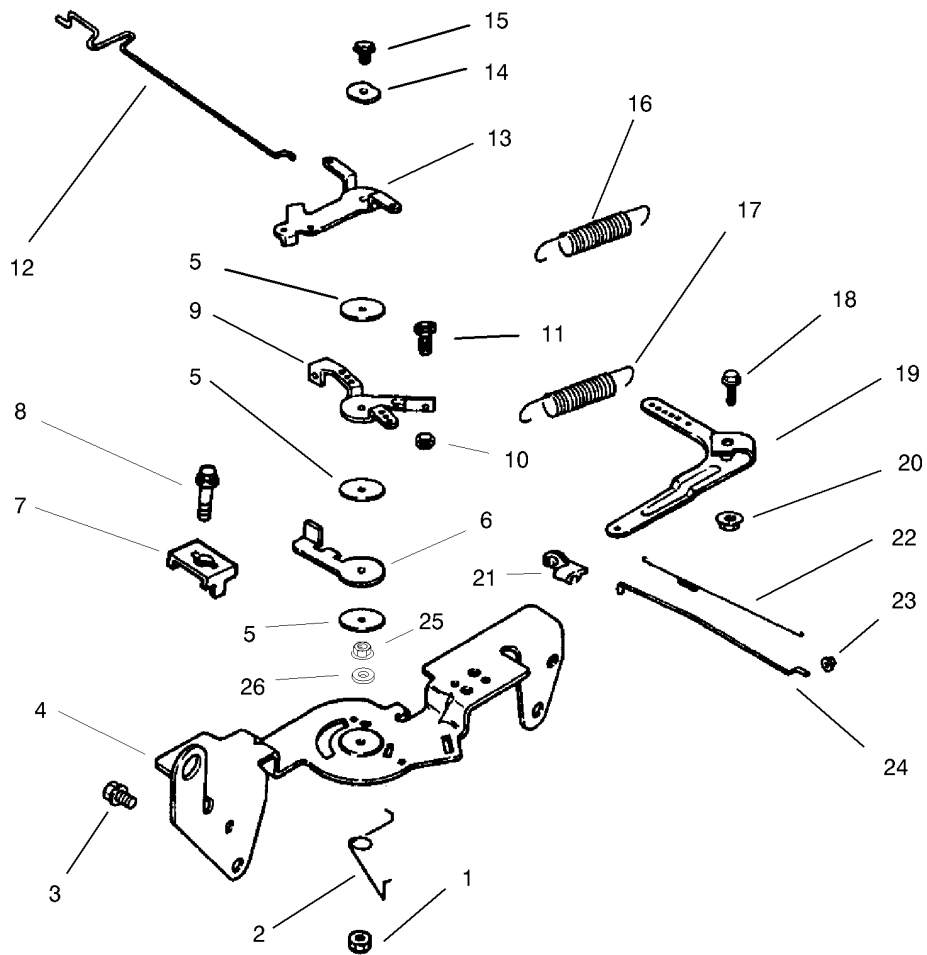


Fuel System Assembly Kohler CH20S-64656 (continued)

<i>Ref.</i>	<i>Part Number</i>	<i>Qty.</i>	<i>Description</i>
	24 757 07-S	1	Kit, Choke (Includes Choke Lever Cap 24 173 02-S) ■●
	24 757 03-S	1	Kit, Carburetor Repair (Includes Inlet Needle Valve Clip 24 154 01-S, Inlet Needle Valve 24 462 01-S, Carburetor Body Screw 24 086 09-S, Carburetor Body Gasket 24 041 09-S, Slow O-Ring 24 153 02-S, O-Ring 24 13 04-S, O-Ring 24 153 05-S, O-Ring 24 153 06-S, ■●

● Not illustrated

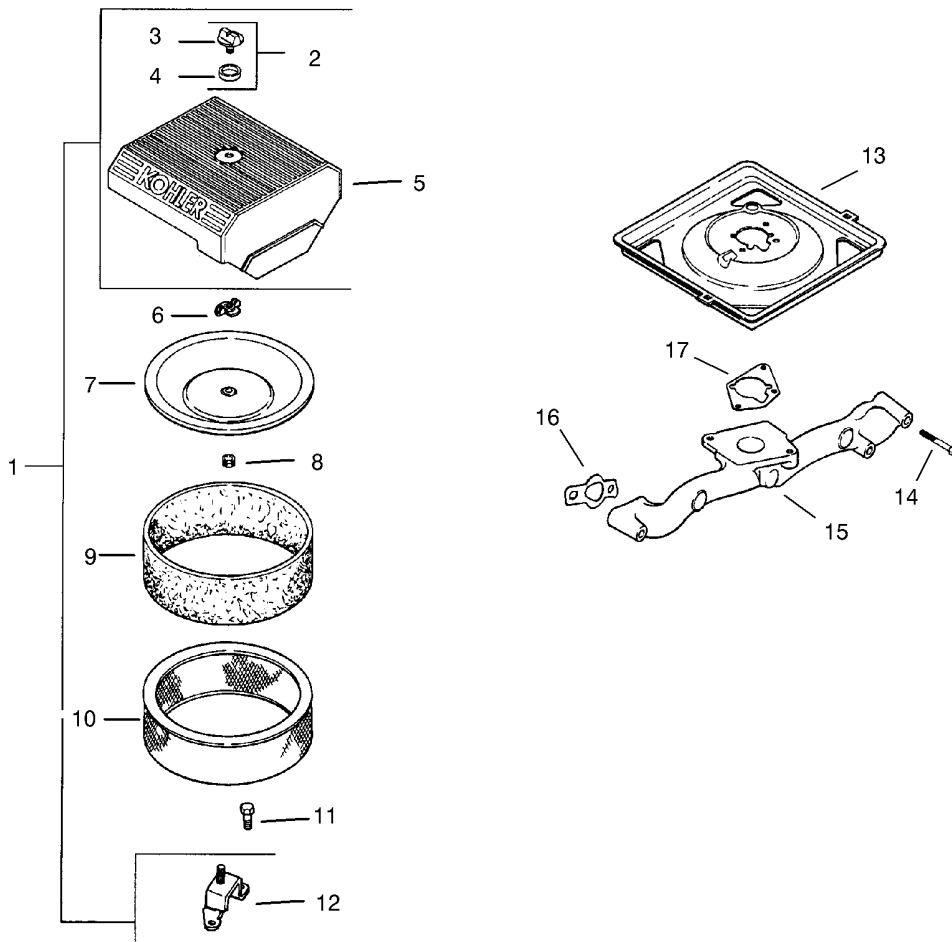
■ Obtain Parts From Kohler



Engine Control Assembly Kohler CH20S-64656

Ref.	Part Number	Qty.	Description	Ref.	Part Number	Qty.	Description
1	M-547050-S	1	Nut-Lock (M5X.8) ●	15	M-545020-S	1	Screw-Flange, Thread Forming (M5X.8X20) ●
2	24 089 03-S	1	Spring-Return, Choke ●	16	24 089 51-S	1	Spring-Limiter, Throttle ●
3	M-645016-S	4	Screw-Flange, Thread Forming (M6X1.0X16) ●	17	24 089 46-S	1	Spring-Governor ●
4	24 126 56-S	1	Bracket-Control ●	18	24 211 03-S	1	Bolt-Sq Neck, Rd HD (M6X1.0X25) ●
5	24 468 01-S	3	Washer-Flat (5.5MM) ●	19	24 090 33-S	1	Lever-Governor ●
6	24 090 07-S	1	Lever-Actuator, Throttle ●	20	M-641060-S	1	Nut-Flange (M6X1.0) ●
7	12 237 01-S	2	Clamp-Cable ●	21	25 158 11-S	1	Bushing-Retaining, Linkage ●
8	M-545016-S	2	Screw-Flange, Thread Forming (M5X0.8X16) ●	22	24 089 01-S	1	Spring-Linkage ●
9	24 090 03-S	1	Lever-Control, Throttle ●	23	25 158 08-S	1	Bushing-Linkage, Throttle ●
10	M-446030-S	1	Nut (M4X0.7) ●	24	24 079 01-S	1	Linkage-Throttle ●
11	M-401030-S	1	Screw (M4X0.7X30) ●	25	M-545010-S	1	Screw-HHFTF (M5X.80X10) ●
12	24 079 02-S	1	Linkage-Choke ●	26	X-20-1-S	1	Washer-Lock (.25) ●
13	24 090 05-S	1	Lever-Choke ●				
14	41 468 03-S	1	Washer-Spring (1/4) ●				

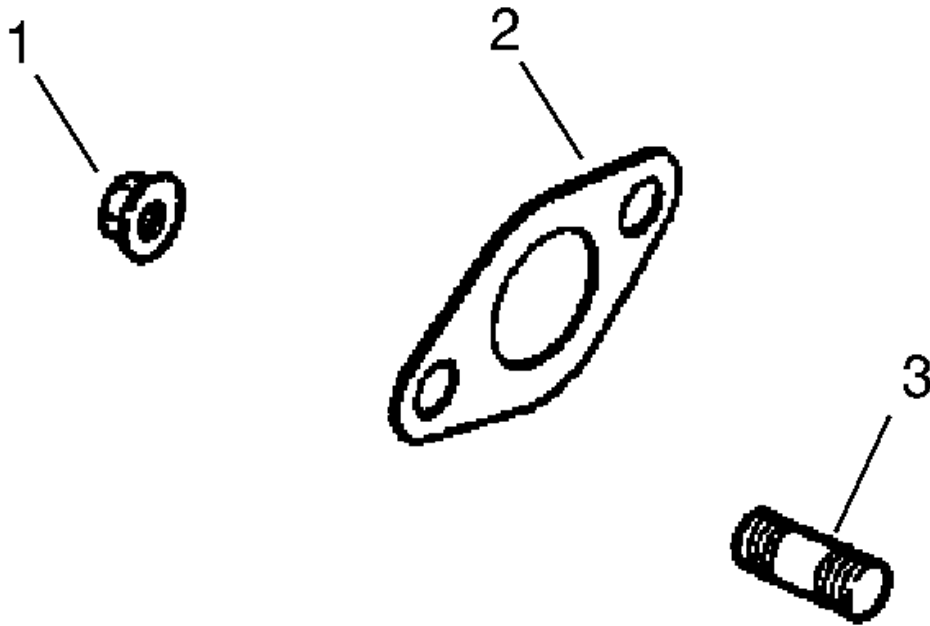
● Obtain Parts From Kohler



Air Intake/Filtration Assembly Kohler CH20S-64656

<i>Ref.</i>	<i>Part Number</i>	<i>Qty.</i>	<i>Description</i>
1	24 743 05-S	1	Kit, Air Cleaner (Includes 2-5, 12) ●
2	54 755 01-S	1	Kit, Air Cleaner Knob (Includes 3,4) ●
3	25 341 03-S	1	Knob-Cover ●
4	24 153 20-S	1	O-Ring ●
5	24 096 67-S	1	Cover-Cleaner, Air ●
6	12 100 01-S	1	Nut-Wing ●
7	24 096 01-S	1	Cover-Air Cleaner, Inner ●
8	24 032 03-S	1	Seal-Air Cleaner, Inner ●
9	24 083 02-S	1	Element-Precleaner ●
10	47 883 03-S	1	Air Filter Assembly(Includes 9) ●
11	M-639016-S	3	Screw-HF (M6X1.0X16) ●
12	24 126 21-S	1	Bracket-Base, Air Cleaner ●
13	24 094 03-S	1	Base-Air Cleaner ●
14	M-651055-S	4	Screw-HF ●
15	24 164 14-S	1	Manifold-Intake ●
16	24 041 01-S	2	Gasket-Manifold, Intake ●
17	24 041 06-S	1	Gasket-Base, Air Cleaner ●

● Obtain Parts From Kohler



Exhaust Assembly Kohler CH20S-64656

<i>Ref.</i>	<i>Part Number</i>	<i>Qty.</i>	<i>Description</i>
1	M-841080-S	4	Nut-Flange (M8X1.25) ■
2	24 041 02-S	2	Gasket-Exhaust ■
3	25 072 04-S	4	Stud (M8X1.25X33) ■
	24 782 15	1	Miniblock ■●
	24 755 107-S	1	Gasket Set ■●

● Not illustrated

■ Obtain Parts From Kohler

Notes:



Count on it.