



# Universal Sunshade

## Groundsmaster® or Reelmaster® Traction Units or Multi Pro® 1750 Turf Sprayer

Model No. 30669

Model No. 30671

### Installation Instructions

This product complies with all relevant European directives. For details, please see the Declaration of Incorporation (DOI) at the back of this publication.

**Important:** If you install the Universal Sunshade on a Reelmaster 3100 traction unit or a Groundsmaster 3500/3505 traction unit, install the Wheel Weight Kit. Contact your authorized Toro distributor for the correct Wheel Weight Kit.

## Safety

### General

#### Before Operating

1. Review and understand the contents of the *Installation Instructions* before installing the sunshade.
2. Keep all shields, safety devices and decals in place. If a shield, safety device or decal is defective, illegible, or damaged, repair or replace it before operating the machine.
3. Do not weld, cut, drill, modify, or remove the roll bar in any manner.
4. Tighten any loose nuts, bolts, or screws to ensure that the machine is in safe operating condition.

#### While Operating

1. Use extreme care when working close to fences, ditches, or on hillsides.
2. Check carefully for overhead clearances (i.e., branches, doorways, electrical wires) before driving under any objects and do not contact them.
3. Tie down the sunshade frame when transporting the machine.
4. Wear hearing protection when operating any machine with a sunshade.

### Maintenance and Service

1. Before servicing or making adjustments, lower the implement, shut off the engine, engage the parking brake, and remove the key.
2. Make sure that the machine is in safe operating condition by keeping all nuts, bolts, and screws tight.
3. When working on the sunshade installation, wear eye protection.
4. Replace a damaged sunshade. Do not repair or revise.
5. When installing the sunshade or performing service, use correct supports, hoists, and jacks. If the sunshade is not properly supported, it may move or fall, which may result in personal injury.
6. To ensure optimum performance and safety, always purchase genuine Toro replacement parts and accessories. Replacement parts and accessories made by other manufacturers could be dangerous. Such use could void the product warranty of The Toro Company.



# Safety and Instructional Decals



Safety decals and instructions are easily visible to the operator and are located near any area of potential danger. Replace any decal that is damaged or missing.

Safety and instruction decals are affixed to your sunshade. If any decal becomes illegible or damaged, install a new decal.



**98-4387**

decal98-4387

1. Warning—wear hearing protection.

## Installation

### Loose Parts

Use the chart below to verify that all parts have been shipped.

Description	Qty.	Use
No parts required	—	Prepare the machine.
No parts required	—	Identify the U-bolt.
Bolt (3/4 x 4 inches)	2	Install the sunshade on the machine.
Nut (3/4 inch)	2	
Washer (13/16 x 1-1/2 inches)	4	
Frame assembly	1	
ROPS-mount bracket	1	
Brace	2	
Brace bracket	2	
Extension link	2	
Bolt (1/2 x 1-1/2 inches)	4	
Bolt (1/2 x 2-1/2 inches)	4	
Bolt (1/2 x 2-3/4 inches)	4	
Large washer	10	
Flange nut (1/2 inch)	10	
U-bolt (4-7/8 x 2-3/4 inches)	2	
U-bolt (3-7/8 x 2-3/4 inches)	2	
U-bolt (3-7/8 x 4 inches)	2	
U-bolt (4-7/8 x 4 inches)	2	
U-bolt (3-7/8 x 5 inches)	4	
Flange nut (3/8 inch)	8	
Sunshade	1	
Flange-head bolt (5/16 x 1-1/4 inches)	4	
Small washer	4	
Grommet	4	
Clip nut	4	

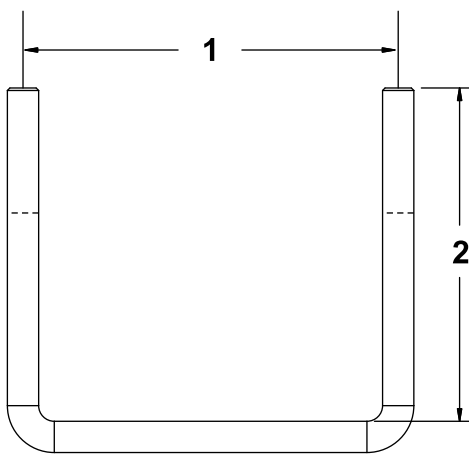
# Preparing the Machine

1. Park the machine on a level surface.
2. Lower the cutting units and engage the parking brake.
3. Shut off the engine and remove the key.

**Note:** Not every machine uses the same parts to install the kit.

# Identifying and Installing the U-Bolts

There are 5 different U-bolts included with this kit. U-bolts are listed by dimension (span x length) in the parts list. Refer to [Figure 1](#) to determine the dimensions of the U-bolts.



**Figure 1**

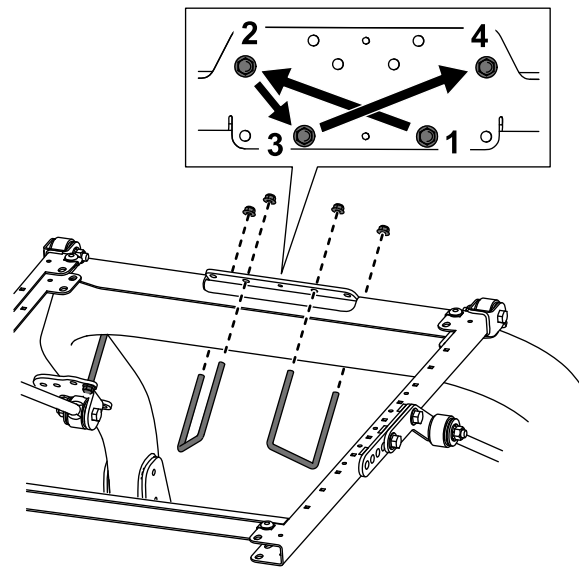
g246183

1. Span

2. Length

Perform the following steps when you install the U-bolts to the ROPS mount bracket:

- Use only hand tools to tighten the nuts that secure the U-bolts to the mount bracket.
- To ensure even distribution, tighten the nuts in an alternating pattern as shown in [Figure 2](#).



**Figure 2**

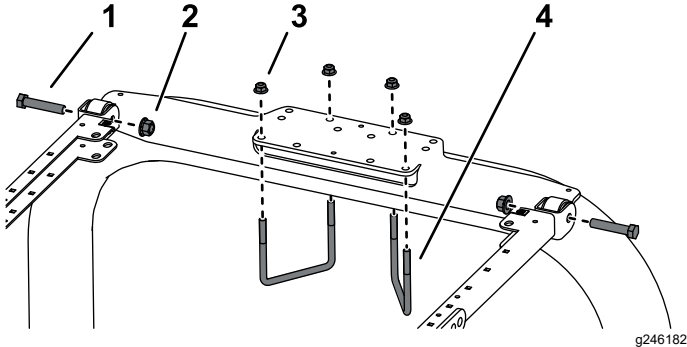
g482777

# Installing the Sunshade

## Groundsmaster 5900 Machine

1. Position the ROPS-mount bracket onto the top of the traction unit roll bar ([Figure 3](#)).

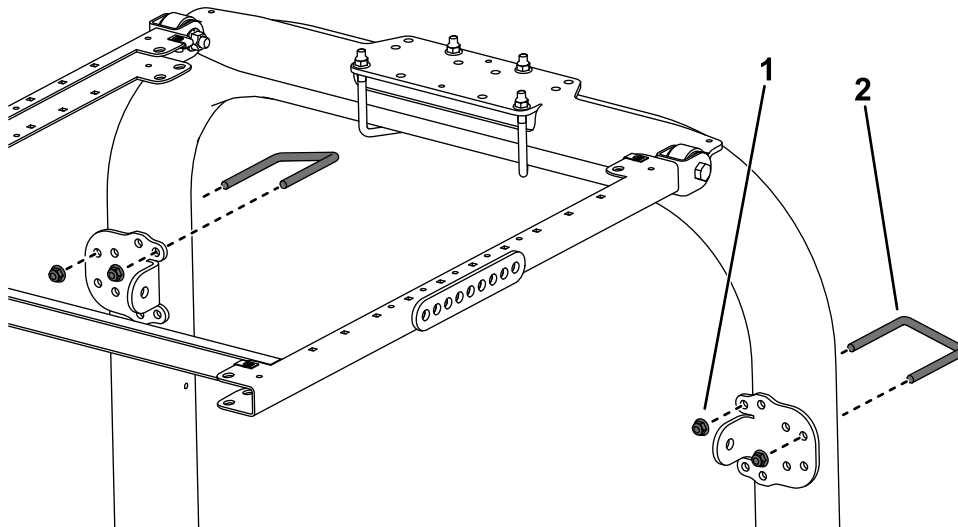
**Note:** Make sure that the roll bar is centered in the mount bracket.



**Figure 3**

- |                            |                              |
|----------------------------|------------------------------|
| 1. Bolt (1/2 x 2-1/2 inch) | 3. Flange nut (3/8 inch)     |
| 2. Flange nut (1/2 inch)   | 4. U-bolt (4-7/8 x 4 inches) |

2. Install the frame assembly to the ROPS-mount bracket ([Figure 3](#)).
3. Using the mounting holes shown in [Figure 3](#), mount the ROPS-mount bracket to the top of



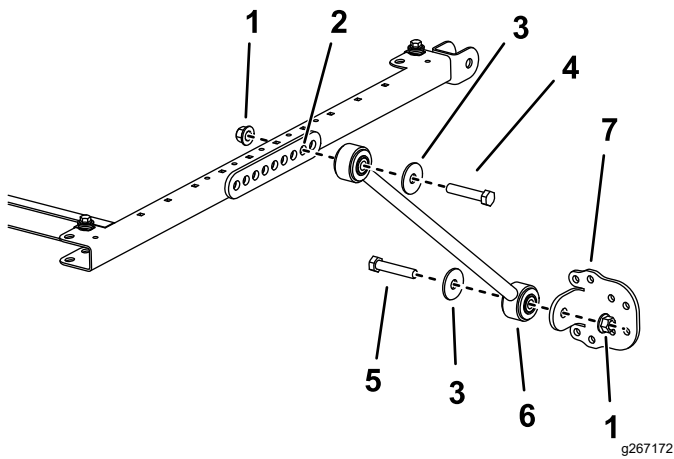
**Figure 4**

- |                          |                              |
|--------------------------|------------------------------|
| 1. Flange nut (3/8 inch) | 2. U-bolt (3-7/8 x 4 inches) |
|--------------------------|------------------------------|

5. On each side of the sunshade frame, loosely mount a brace to the second hole of the brace mount with a bolt (1/2 x 2-3/4 inches), washer (1/2 inch), and flange nut (1/2 inch) as shown in [Figure 5](#).

the roll bar with 2 U-bolts (4-7/8 x 4 inches) and 4 flange nuts.

4. Using the mounting holes shown in [Figure 4](#), loosely secure each of the brace brackets to the roll bar posts with a U-bolt (3-7/8 x 4 inches) and 2 flange nuts.



**Figure 5**  
Left side shown

- |                              |                              |
|------------------------------|------------------------------|
| 1. Flange nut (1/2 inch)     | 5. Bolt (1/2 x 2-1/2 inches) |
| 2. Mount hole                | 6. Brace bracket             |
| 3. Washer (1/2 inch)         | 7. Brace                     |
| 4. Bolt (1/2 x 2-3/4 inches) |                              |

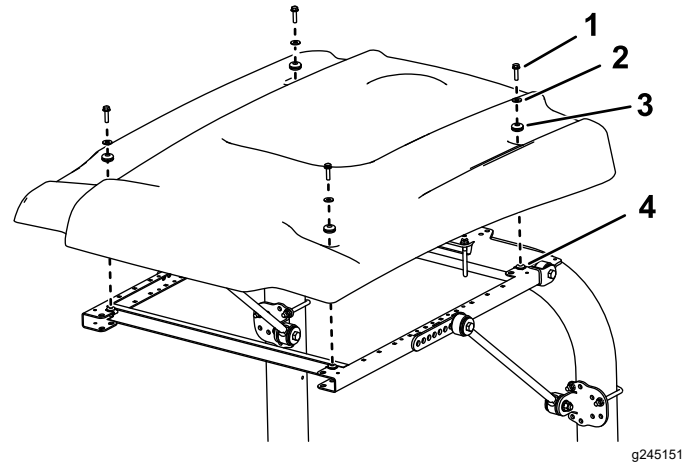
- Loosely install a brace bracket to each brace with a bolt (1/2 x 2-1/2 inches), washer (1/2 inch), and flange nut (1/2 inch) as shown in [Figure 5](#).
- Move the brace brackets up or down, on the vertical roll bar posts, until the sunshade frame is level to the floor.

**Note:** Use a level to make sure that the frame is level to the ground.

**Note:** Use the front or rear mounting holes in the brace bracket, if you need more adjustability.

- Tighten the U-bolt flange nuts, securing the mounting brackets to the posts.

- Tighten all the remaining flange nuts as follows:
  - Torque the flange nuts (3/8 inch) 41 to 55 N·m (30 to 41 ft-lb).
  - Torque the flange nuts (1/2 inch) 113 to 141 N·m (84 to 104 ft-lb).
- While aligning the mounting holes, position the sunshade onto the frame as shown in [Figure 6](#).



**Figure 6**

- |   |             |
|---|-------------|
| 1. Flange-head bolt (5/16 x 1-1/4 inches) | 3. Grommet  |
| 2. Small washer                           | 4. Clip nut |

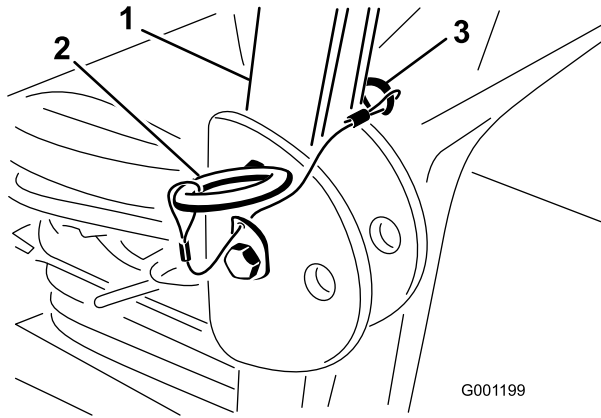
- Loosely mount each corner of the sunshade to the frame with a flange-head bolt (5/16 x 1-1/4 inches), a small washer, and a grommet ([Figure 6](#)).
- Tighten the sunshade-mounting bolts 5 to 6 N·m (45 to 55 in-lb).

**Important:** Do not overtighten the mounting bolts as the sunshade may crack.

# Installing the Sunshade

## Groundsmaster 3200 or 3300 Machine

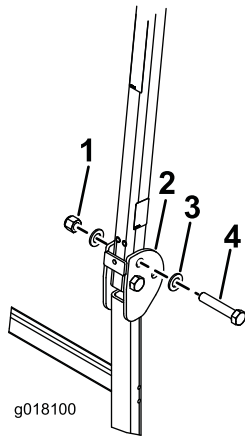
1. With the roll bar in the raised position, remove the hairpin cotters and the 2 pins (Figure 7).



**Figure 7**

1. Roll bar
2. Pin
3. Hairpin cotter

2. Insert a washer (13/16 x 1-1/2 inches) onto each bolt (3/4 x 4 inches) as shown in Figure 8.



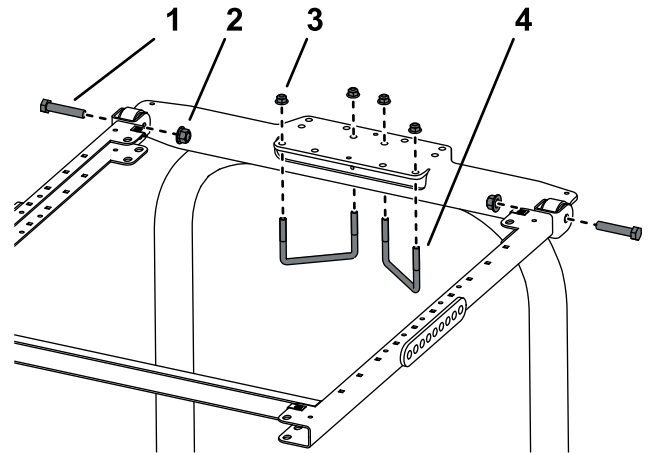
**Figure 8**

1. Nut (3/4 inch)
2. Roll bar
3. Washer (13/16 x 1-1/2 inches)
4. Bolt (3/4 x 4 inches)

3. In the holes where the pins were removed, install the bolts and washers (Figure 8).
4. Install another washer onto each bolt and secure with nuts (3/4 inch) as shown in Figure 8. Torque the nuts 323 to 396 N·m (238 to 292 ft-lb).
5. Torque the ROPS pivot bolt (Figure 8) 91 to 113 N·m (67 to 83 ft-lb) to avoid any bouncing of the roll bar and sunshade.

6. Position the ROPS-mount bracket onto the top of the turf sprayer roll bar (Figure 9).

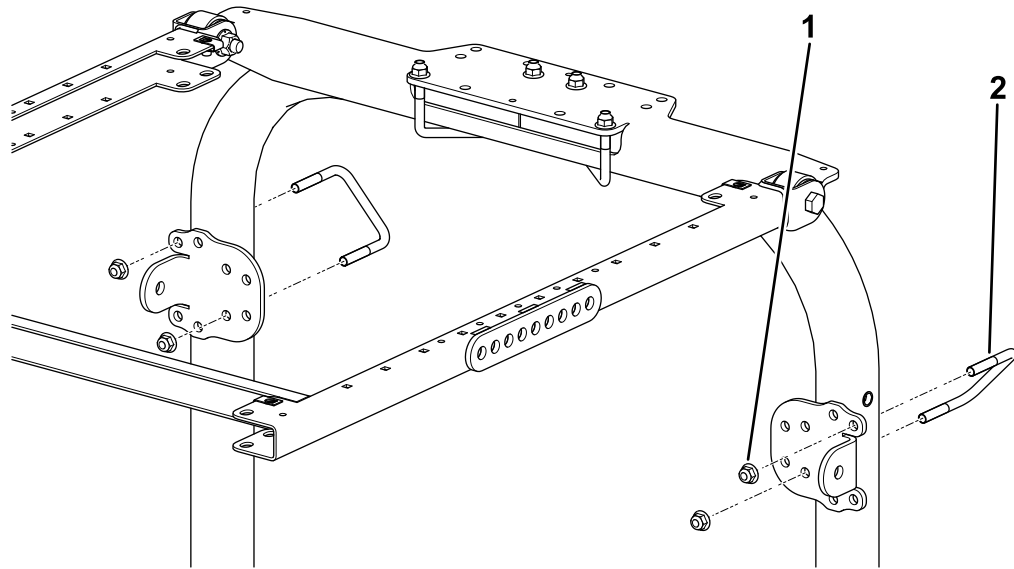
**Note:** Make sure that the roll bar is centered in the ROPS-mount bracket.



**Figure 9**

1. Bolt (1/2 x 2-1/2 inches)
2. Flange nut (1/2 inch)
3. Flange nut (3/8 inch)
4. U-bolt (4-7/8 x 2-3/4 inches)

7. Install the frame assembly to the ROPS-mount bracket (Figure 9).
8. Using the mounting holes shown in Figure 10, mount the ROPS-mount bracket to the top of the roll bar with 2 U-bolts (4-7/8 x 2-3/4 inches) and 4 flange nuts.
9. Using the mounting holes shown in Figure 10, loosely secure each of the brace brackets to the roll bar posts with a U-bolt (3-7/8 x 2-3/4 inches) and 2 flange nuts.



g482769

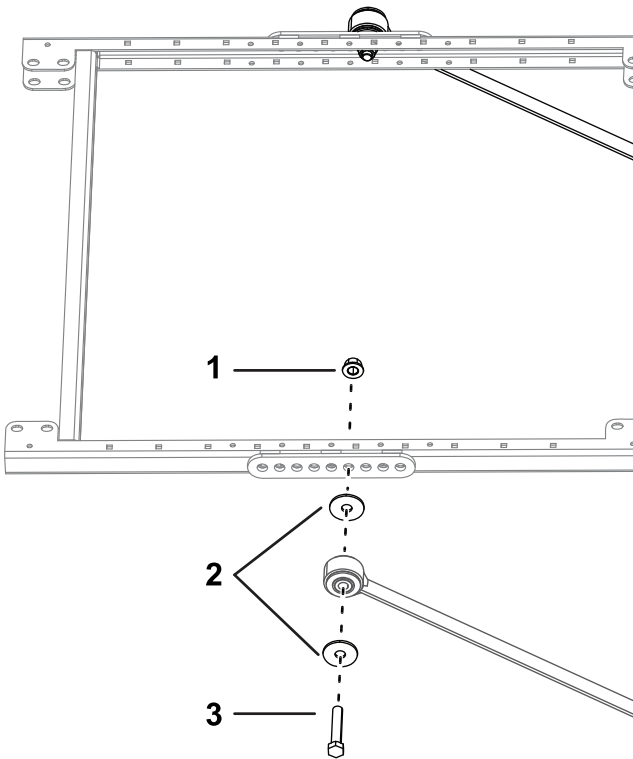
**Figure 10**

1. Flange nut (3/8 inch)

2. U-bolt (4-7/8 x 2-3/4 inches)

10. On each side of the sunshade frame, loosely mount an extension link to the fourth hole of the brace mount with 2 bolts (1/2 x 2-3/4 inches), 2 large washers, and 2 flange nuts (1/2 inch) as shown in [Figure 11](#).

11. On each side of the machine, loosely install a brace bracket to each brace with a bolt (1/2 x 2-3/4 inches), 3 large washers, and flange nut (1/2 inch) as shown in [Figure 12](#).



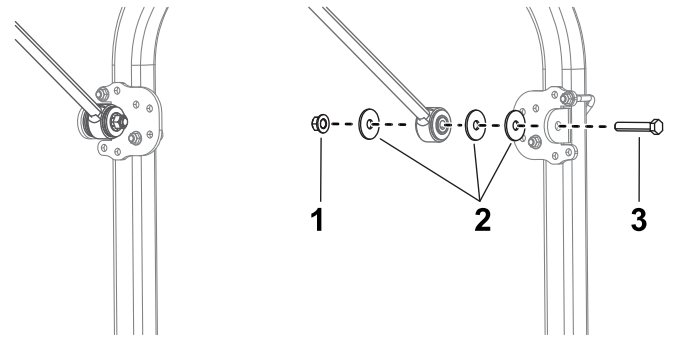
g297973

**Figure 11**

1. Flange nut (1/2 inch)

3. Bolt (1/2 x 2-3/4 inches)

2. Large washer



g297972

**Figure 12**

1. Flange nut (1/2 inch)

3. Bolt (1/2 x 2-3/4 inches)

2. Large washer

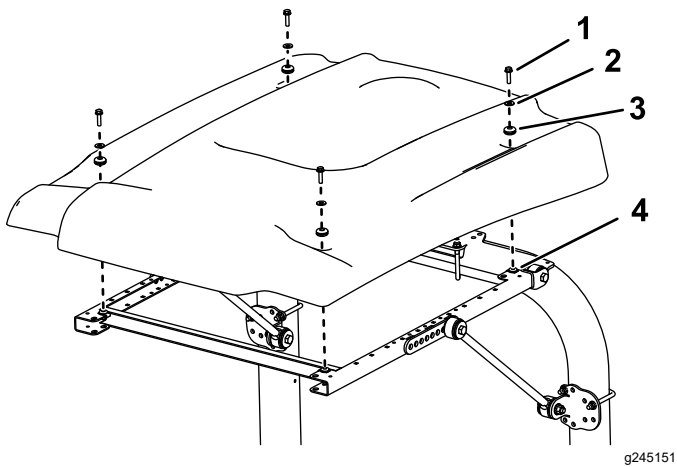
12. Move the brace brackets up or down on the vertical roll bar posts until the sunshade frame is level to the ground, then tighten the U-bolt flange nuts, securing the mounting brackets to the posts.

**Note:** Use a level to make sure that the frame is level to the ground.

13. Tighten all the remaining flange nuts as follows:

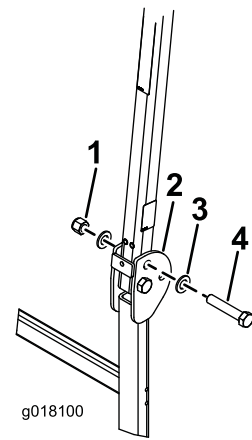
- Torque the flange nuts (3/8 inch) 41 to 55 N·m (30 to 41 ft·lb).
- Torque the flange nuts (1/2 inch) 113 to 141 N·m (84 to 104 ft·lb).

14. While aligning the mounting holes, position the sunshade onto the frame as shown in [Figure 13](#).



**Figure 13**

- |   |             |
|---|-------------|
| 1. Flange-head bolt (5/16 x 1-1/4 inches) | 3. Grommet  |
| 2. Small washer                           | 4. Clip nut |



**Figure 15**

- |                   |                                  |
|-------------------|----------------------------------|
| 1. Nut (3/4 inch) | 3. Washer (13/16 x 1-1/2 inches) |
| 2. Roll bar       | 4. Bolt (3/4 x 4 inches)         |

- Loosely mount each corner of the sunshade to the frame with a flange-head bolt (5/16 x 1-1/4 inches), a small washer, and a grommet (Figure 13).
- Tighten the sunshade-mounting bolts 5 to 6 N·m (45 to 55 in-lb).

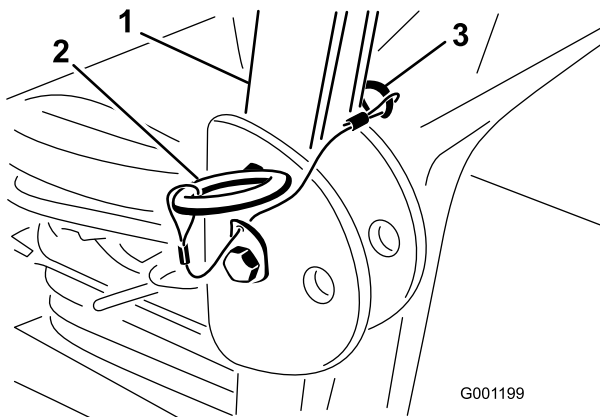
**Important:** Do not overtighten the mounting bolts as the sunshade may crack.

- In the holes where the pins were removed, install the bolts and washers (Figure 15).
- Install another washer onto each bolt and secure with nuts (3/4 inch) as shown in Figure 15. Torque the nuts 323 to 396 N·m (238 to 292 ft-lb).
- Torque the ROPS pivot bolt (Figure 15) 91 to 113 N·m (67 to 83 ft-lb) to avoid any bouncing of the roll bar and sunshade.

## Installing the Sunshade

### Groundsmaster 3280 Machine

- With the roll bar in the raised position, remove the hairpin cotters and the 2 pins (Figure 14).



**Figure 14**

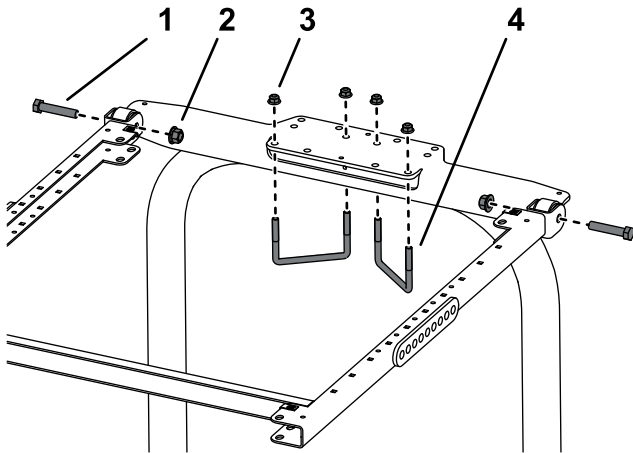
- |             |                   |
|-------------|-------------------|
| 1. Roll bar | 3. Hairpin cotter |
| 2. Pin      |                   |

- Insert a washer (13/16 x 1-1/2 inches) onto each bolt (3/4 x 4 inches) as shown in Figure 15.



- Position the ROPS-mount bracket onto the top of the traction unit roll bar (Figure 16).

**Note:** Make sure that the roll bar is centered in the ROPS-mount bracket.

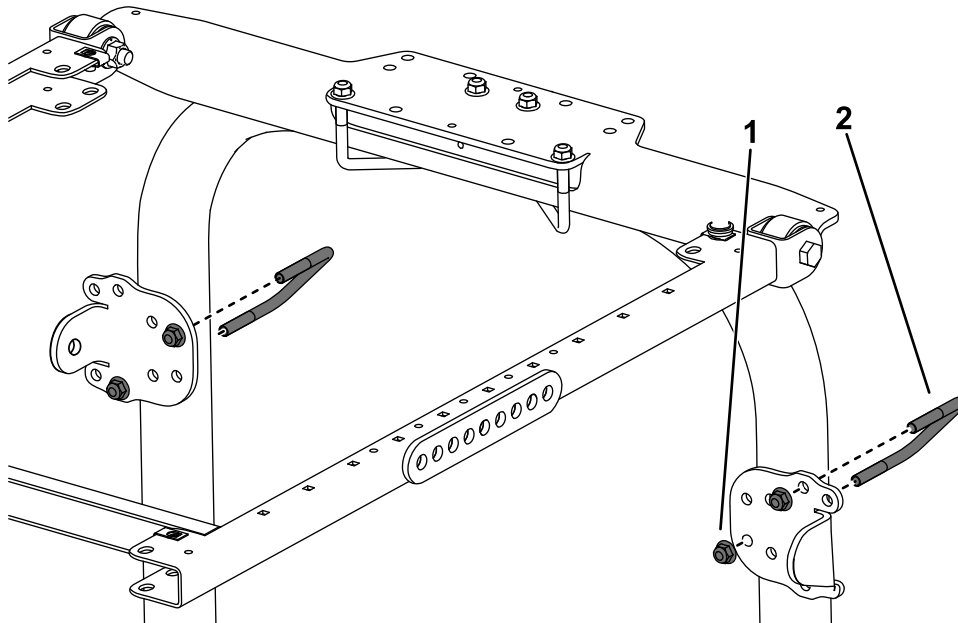


g246185

**Figure 16**

- |                              |                                  |
|------------------------------|----------------------------------|
| 1. Bolt (1/2 x 2-1/2 inches) | 3. Flange nut (3/8 inch)         |
| 2. Flange nut (1/2 inch)     | 4. U-bolt (4-7/8 x 2-3/4 inches) |

- Install the frame assembly to the ROPS-mount bracket (Figure 16).
- Using the mounting holes shown in Figure 16, mount the ROPS-mount bracket to the top of the roll bar with 2 U-bolts (4-7/8 x 2-3/4 inches) and 4 flange nuts.
- Using the mounting holes shown in Figure 17, loosely secure each of the brace brackets to the roll bar posts with a U-bolt (3-7/8 x 2-3/4 inches) and 2 flange nuts.

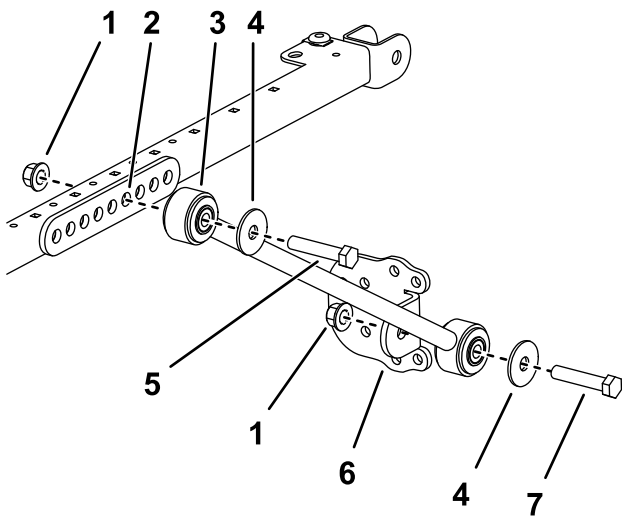


g482770

**Figure 17**

- |                          |                                  |
|--------------------------|----------------------------------|
| 1. Flange nut (3/8 inch) | 2. U-bolt (3-7/8 x 2-3/4 inches) |
|--------------------------|----------------------------------|

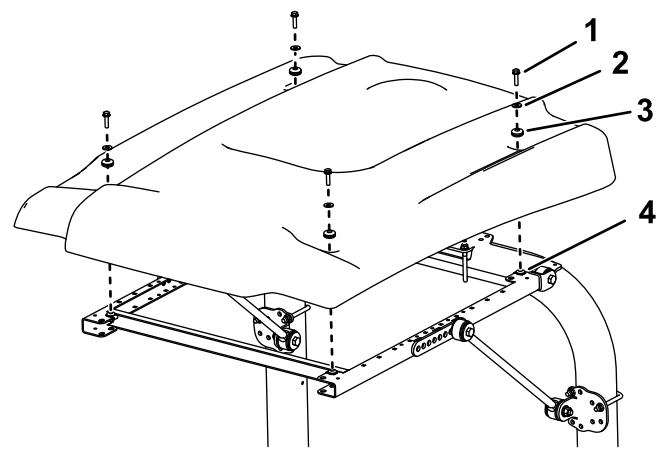
- On each side of the sunshade frame, loosely mount an extension link to the fourth hole of the brace mount with 2 bolts (1/2 x 2-3/4 inches), and 2 flange nuts (1/2 inch) as shown in Figure 18.



**Figure 18**

g267174

- |                          |                              |
|--------------------------|------------------------------|
| 1. Flange nut (1/2 inch) | 5. Bolt (1/2 x 2-3/4 inches) |
| 2. Mount hole            | 6. Brace bracket             |
| 3. Brace                 | 7. Bolt (1/2 x 2-1/2 inches) |
| 4. Washer (1/2 inch)     |                              |



**Figure 19**

g245151

- |   |             |
|---|-------------|
| 1. Flange-head bolt (5/16 x 1-1/4 inches) | 3. Grommet  |
| 2. Small washer                           | 4. Clip nut |

11. Loosely install a brace bracket to each brace with a bolt (1/2 x 2-1/2 inches), washer (1/2 inch), and flange nut (1/2 inch) as shown in [Figure 18](#).
12. Move the brace brackets up or down on the vertical roll bar posts until the sunshade frame is level to the ground, then tighten the U-bolt flange nuts, securing the mounting brackets to the posts.  
**Note:** Use a level to make sure that the frame is level to the ground.
13. Tighten all the remaining flange nuts as follows:
  - Torque the flange nuts (3/8 inch) 41 to 55 N·m (30 to 41 ft-lb).
  - Torque the flange nuts (1/2 inch) 113 to 141 N·m (84 to 104 ft-lb).
14. While aligning the mounting holes, position the sunshade onto the frame as shown in [Figure 19](#).

15. Loosely mount each corner of the sunshade to the frame with a flange-head bolt (5/16 x 1-1/4 inches), a small washer, and a grommet ([Figure 19](#)).
16. Tighten the sunshade-mounting bolts 5 to 6 N·m (45 to 55 in-lb).

**Important:** Do not overtighten the mounting bolts as the sunshade may crack.

# Installing the Sunshade

## Groundsmaster 360 or 7200 Machines

1. With the roll bar in the raised position, remove the hairpin cotters and the 2 pins (Figure 20).

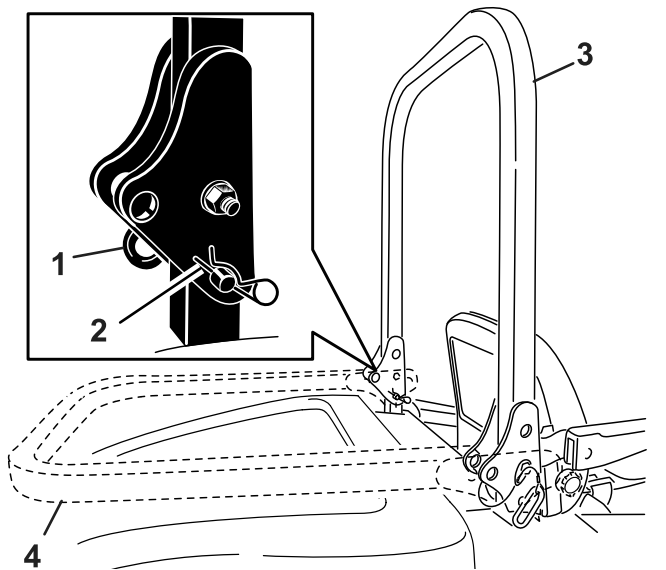


Figure 20

g187726

- |                   |                                |
|-------------------|--------------------------------|
| 1. Pin            | 3. Roll bar (raised position)  |
| 2. Hairpin cotter | 4. Roll bar (lowered position) |

2. Insert a washer (13/16 x 1-1/2 inches) onto each bolt (3/4 x 4 inches) as shown in Figure 21.

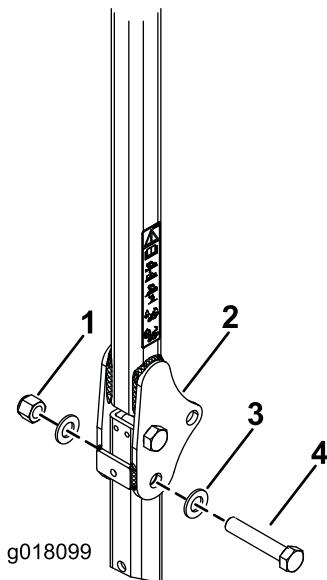


Figure 21

g018099

- |                   |                                  |
|-------------------|----------------------------------|
| 1. Nut (3/4 inch) | 3. Washer (13/16 x 1-1/2 inches) |
| 2. Roll bar       | 4. Bolt (3/4 x 4 inches)         |

3. In the holes where the pins were removed, install the bolts and washers (Figure 21).
4. Install another washer onto each bolt and secure with nuts (3/4 inch) as shown in Figure 21. Torque the nuts 323 to 396 N·m (238 to 292 ft-lb).
5. Torque the ROPS pivot bolt (Figure 21) 91 to 113 N·m (67 to 83 ft-lb) to avoid any bouncing of the roll bar and sunshade.
6. Position the ROPS-mount bracket onto the top of the traction unit roll bar (Figure 22).

**Note:** Make sure that the roll bar is centered in the ROPS-mount bracket.

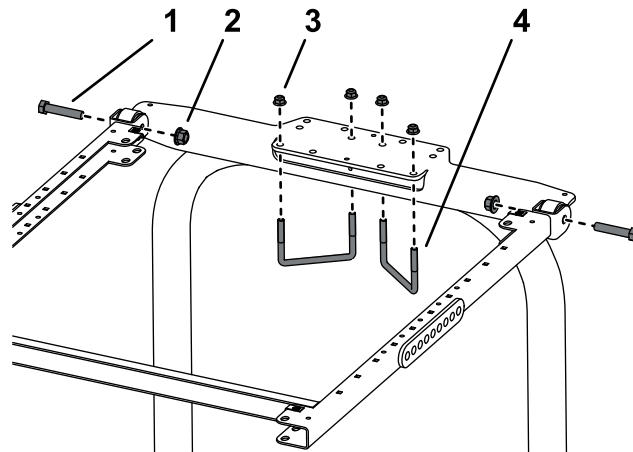
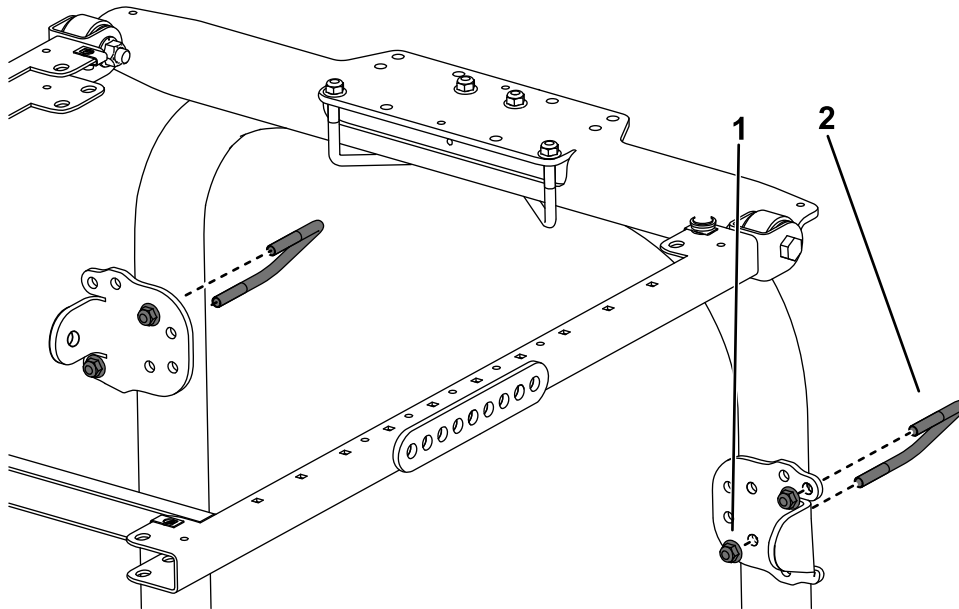


Figure 22

g246185

- |                            |                                |
|----------------------------|--------------------------------|
| 1. Bolt (1/2 x 2-1/2 inch) | 3. Flange nut (3/8 inch)       |
| 2. Flange nut (1/2 inch)   | 4. U-bolt (4-7/8 x 2-3/4 inch) |

7. Using the mounting holes shown in Figure 22, mount the bracket to the top of the roll bar with 2 U-bolts (4-7/8 x 2-3/4 inch) and 4 flange nuts.
8. Using the mounting holes shown in Figure 23, loosely secure each of the brace brackets to the roll bar posts with a U-bolt (3-7/8 x 2-3/4 inches) and 2 flange nuts.

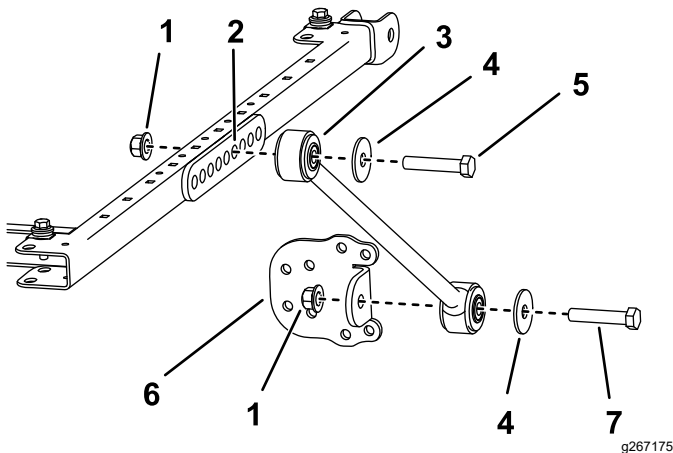


g482771

**Figure 23**

- |                          |                           |
|--------------------------|---------------------------|
| 1. Flange nut (3/8 inch) | 2. U-bolt (3-7/8 x 2-3/4) |
|--------------------------|---------------------------|

9. On each side of the sunshade frame, loosely mount a brace to the sixth hole of the bracket mount with a bolt (1/2 x 2-3/4 inches), washer (1/2 inch), and flange nut (1/2 inch) as shown in [Figure 24](#).



g267175

**Figure 24**

- |                          |                              |
|--------------------------|------------------------------|
| 1. Flange nut (1/2 inch) | 5. Bolt (1/2 x 2-3/4 inches) |
| 2. Mounting hole         | 6. Brace bracket             |
| 3. Brace                 | 7. Bolt (1/2 x 2-1/2 inches) |
| 4. Washer (1/2 inch)     |                              |

10. Loosely install a brace bracket to each brace with a bolt (1/2 x 2-1/2 inches), washer (1/2 inch), and flange nut (1/2 inch) as shown in [Figure 24](#).

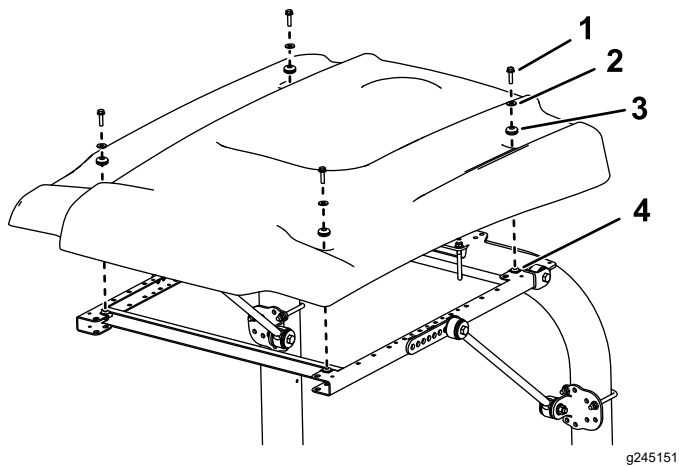
**Note:** The U-bolts are not installed symmetrically.

11. Move the brace brackets up or down on the vertical roll bar posts until the sunshade frame is level to the floor. Use a level to make sure that the frame is level to the ground. Then, tighten the U-bolt flange nuts, securing the brace brackets to the posts.

**Note:** Use the front or rear mounting holes, in the brace bracket, if more adjustability is required.

12. Tighten all the remaining flange nuts as follows:
- Torque the flange nuts (3/8 inch) 41 to 55 N·m (30 to 41 ft·lb).
  - Torque the flange nuts (1/2 inch) 113 to 141 N·m (84 to 104 ft·lb).

- While aligning the mounting holes, position the sunshade onto the frame as shown in [Figure 25](#).



**Figure 25**

g245151

- |   |             |
|---|-------------|
| 1. Flange-head bolt (5/16 x 1-1/4 inches) | 3. Grommet  |
| 2. Small washer                           | 4. Clip nut |

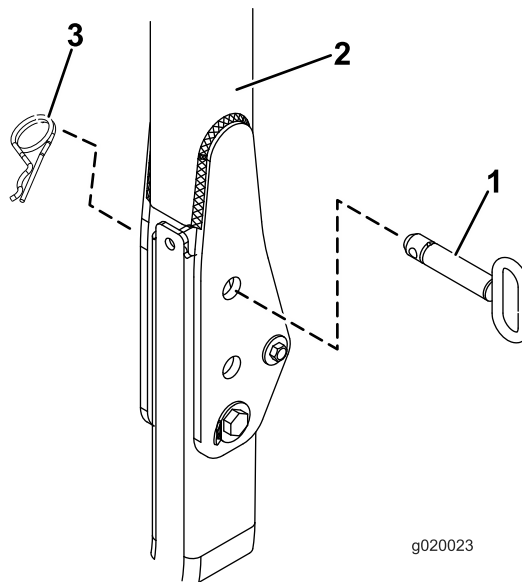
- Loosely mount each corner of the sunshade to the frame with a flange-head bolt (5/16 x 1-1/4 inches) a small washer, and a grommet ([Figure 25](#)).
- Tighten the sunshade-mounting bolts 5 to 6 N·m (45 to 55 in-lb).

**Important:** Do not overtighten the mounting bolts as the sunshade may crack.

## Installing the Sunshade

### Groundmaster 3500, 3505, 4000, and 4100 Machines or Reelmaster 3100, 3555, and 3575 Machines

- When you install the Universal Sunshade on a Reelmaster 3100 traction unit or a Groundmaster 3500/3505 traction unit, install the Wheel Weight Kit.
- For Reelmaster 3555 and 3575 traction units,** skip to step 10. For all other models, with the roll bar in the raised position, remove the hairpin cotters and the 2 pins ([Figure 26](#)).



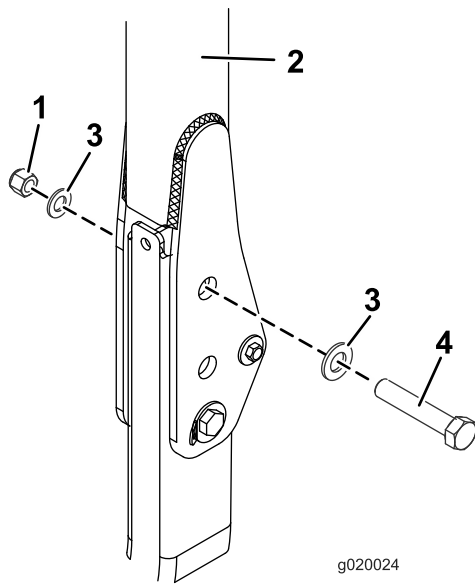
**Figure 26**

g020023

g020023

- |             |                   |
|-------------|-------------------|
| 1. Pin      | 3. Hairpin cotter |
| 2. Roll bar |                   |

- Insert a washer (13/16 x 1-1/2 inches) onto each bolt (3/4 x 4 inches) as shown in [Figure 27](#).

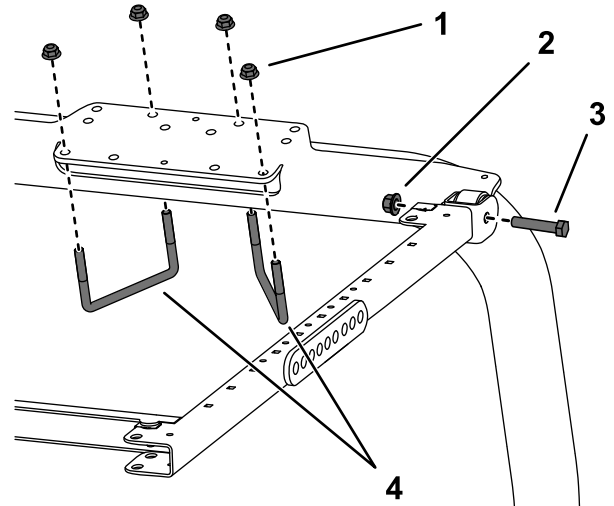


**Figure 27**

- |                   |                                  |
|-------------------|----------------------------------|
| 1. Nut (3/4 inch) | 3. Washer (13/16 x 1-1/2 inches) |
| 2. Roll bar       | 4. Bolt (3/4 x 4 inches)         |

- 
4. In the holes where the pins were removed, install the bolts and washers (Figure 27).
  5. Install another washer onto each bolt and secure with nut (3/4 inch) as shown in (Figure 27). Torque the nuts 323 to 396 N·m (238 to 292 ft-lb).
  6. Torque the ROPS pivot bolt (Figure 27) 91 to 113 N·m (67 to 83 ft-lb) to avoid any bouncing of the roll bar and sunshade.

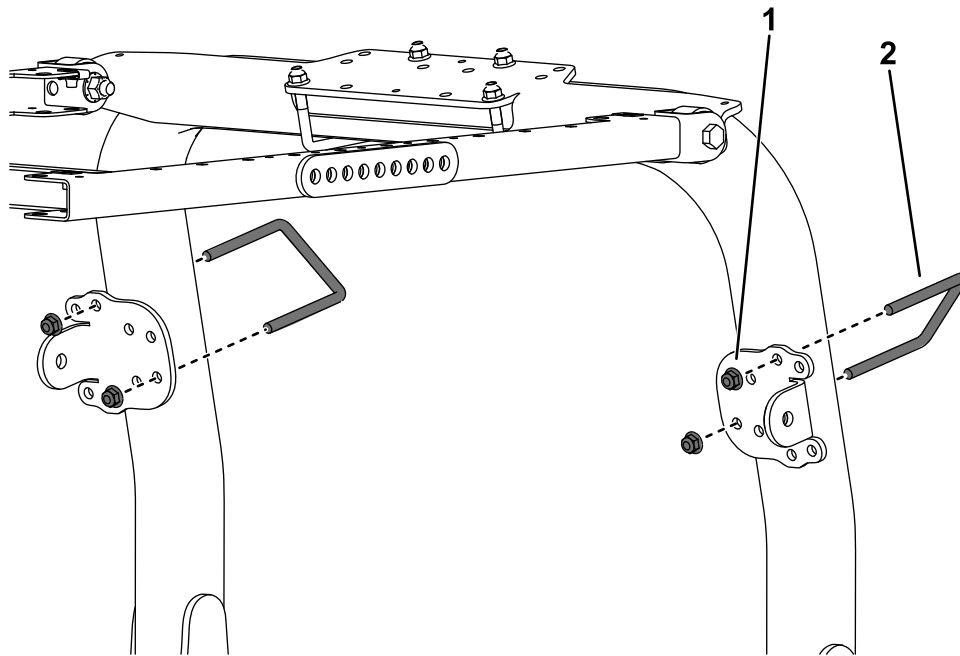
7. Position the ROPS-mount bracket onto the top of the traction unit roll bar (Figure 28). Make sure that the roll bar is centered in the ROPS-mount bracket.



**Figure 28**

- |                          |                              |
|--------------------------|------------------------------|
| 1. Flange nut (3/8 inch) | 3. Bolt (1/2 x 2-1/2 inch)   |
| 2. Flange nut (1/2 inch) | 4. U-bolt (4-7/8 x 4 inches) |

- 
8. Using the mounting holes shown in Figure 28, secure the ROPS-mount bracket to the top of the roll bar with 2 U-bolts (4-7/8 x 4 inches) and 4 flange nuts.
  9. Using the mounting holes shown in Figure 29, loosely secure each of the brace brackets to the roll bar posts with a U-bolt (3-7/8 x 4 inches) and 2 flange nuts.



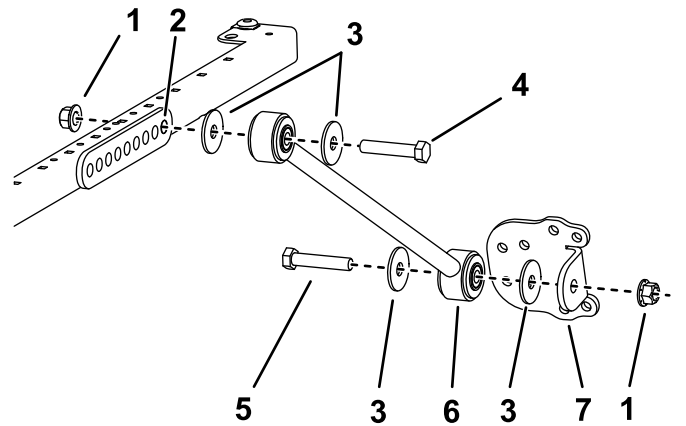
g482772

**Figure 29**

- 1. Flange nut (3/8 inch)
- 2. U-bolt (3-7/8 x 4 inches)

10. On each side of the sunshade frame, loosely mount a brace to the brace bracket as follows:

- For Models 03820, 03821, 30604, 30605, 30608, and 30609 on each side of the sunshade frame, loosely mount a brace to the **rear** hole of the brace bracket with a bolt (1/2 x 2-1/2 inches), washer (1/2 inch) washer, and flange nut (1/2 inch) as shown in [Figure 30](#).
- For Models 30446, 30446N, 30447, and 30447N, on each side of the sunshade frame, loosely mount a brace to the **second** hole of the brace bracket with a bolt (1/2 x 2-1/2 inches), washer (1/2 inch), and flange nut (1/2 inch) as shown in [Figure 31](#).

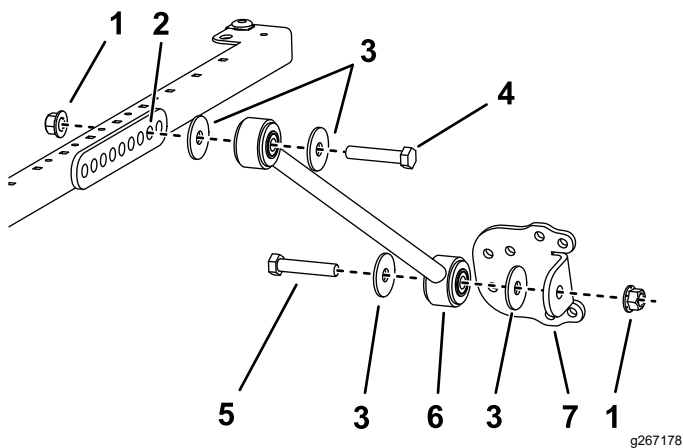


g267177

**Figure 30**

Models 03820, 03821, 30604, 30605, 30608, and 30609

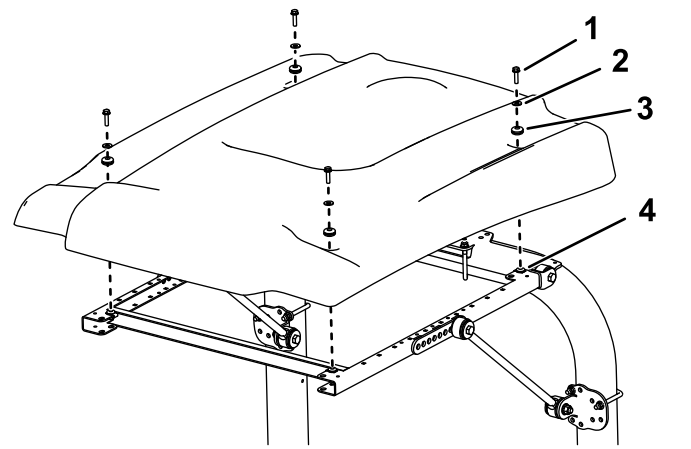
- 1. Flange nut (1/2 inch)
- 2. Mount hole
- 3. Washer (1/2 inch)
- 4. Bolt (1/2 x 2-3/4 inches)
- 5. Bolt (1/2 x 2-1/2 inches)
- 6. Brace
- 7. Brace bracket



**Figure 31**

Models 30446, 30446N, 30447, and 30447N

- |                              |                              |
|------------------------------|------------------------------|
| 1. Flange nut (1/2 inch)     | 5. Bolt (1/2 x 2-1/2 inches) |
| 2. Mount hole                | 6. Brace                     |
| 3. Washer (1/2 inch)         | 7. Brace bracket             |
| 4. Bolt (1/2 x 2-3/4 inches) |                              |



**Figure 32**

- |   |             |
|---|-------------|
| 1. Flange-head bolt (5/16 x 1-1/4 inches) | 3. Grommet  |
| 2. Small washer                           | 4. Clip nut |

11. Loosely install a brace bracket to each brace with a bolt (1/2 x 2-1/2 inches), washer (1/2 inch), and flange nut (1/2 inch) as shown in [Figure 30](#).
12. Move the brace bracket up or down, on the vertical roll bar posts, until the sunshade frame is level to the floor.  
**Note:** Use a level to make sure that the frame is level to the ground.
13. Tighten the U-bolt flange nuts, securing the mounting brackets to the posts.
14. Tighten all the remaining flange nuts as follows:
  - Torque the flange nuts (3/8 inch) 41 to 55 N·m (30 to 41 ft-lb).
  - Torque the flange nuts (1/2 inch) 113 to 141 N·m (84 to 104 ft-lb).
15. While aligning the mounting holes, position the sunshade onto the frame as shown in [Figure 32](#).

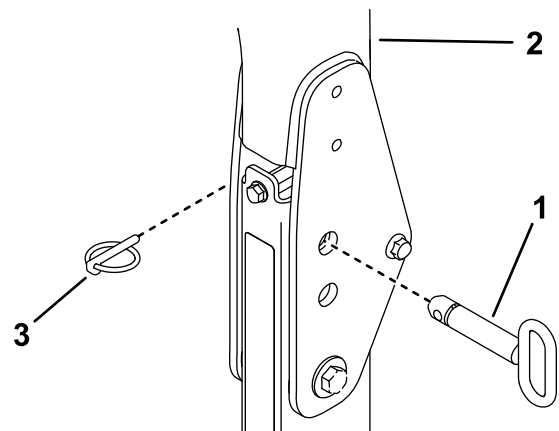
16. Loosely mount each corner of the sunshade to the frame with a flange-head bolt (5/16 x 1-1/4 inches), a small washer, and a grommet ([Figure 32](#)).
17. Tighten the sunshade-mounting bolts to 5 to 6 N·m (45 to 55 in-lb).

**Important:** Do not overtighten the mounting bolts as the sunshade may crack.

## Installing the Sunshade

### Groundsmaster 4500 and 4700 Machines or Reelmaster 6700 and 7000 Machines

1. With the roll bar in the raised position, remove the hairpin cotter and pin.

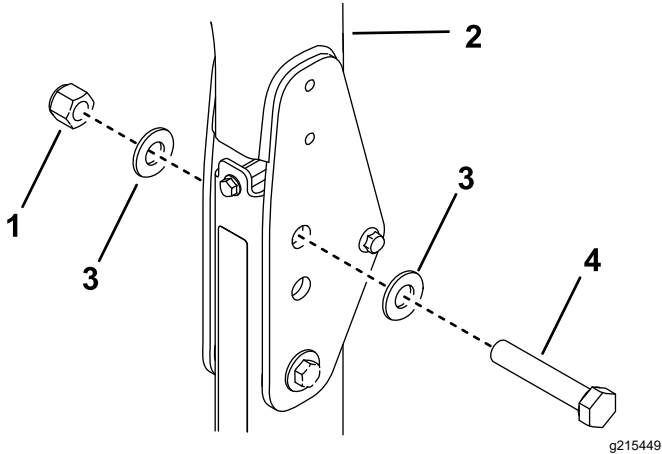


**Figure 33**

- |             |                   |
|-------------|-------------------|
| 1. Pin      | 3. Hairpin cotter |
| 2. Roll bar |                   |



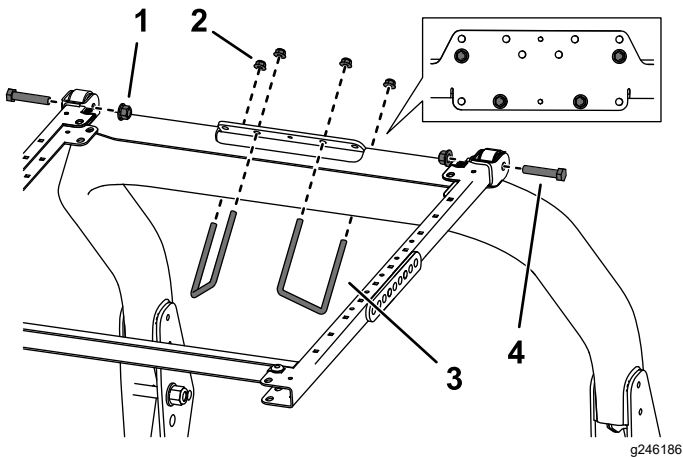
2. Insert a washer (13/16 x 1-1/2 inches) onto each bolt (3/4 x 4 inches) as shown in [Figure 34](#).
3. In the holes where the pins were removed, install the bolts and washers ([Figure 34](#)).
4. Install another washer onto each bolt and secure with nut (3/4 inch) as shown in [Figure 34](#).
5. Torque the ROPS pivot bolt to 91 to 113 N·m (67 to 83 ft·lb) to avoid any bouncing of the roll bar and sunshade.



**Figure 34**

- |                   |                                  |
|-------------------|----------------------------------|
| 1. Nut (3/4 inch) | 3. Washer (13/16 x 1-1/2 inches) |
| 2. Roll bar       | 4. Bolt (3/4 x 4 inches)         |

6. Position the ROPS-mount bracket onto the top of the traction unit roll bar ([Figure 35](#)). Ensure that the roll bar is centered in the ROPS-mount bracket.

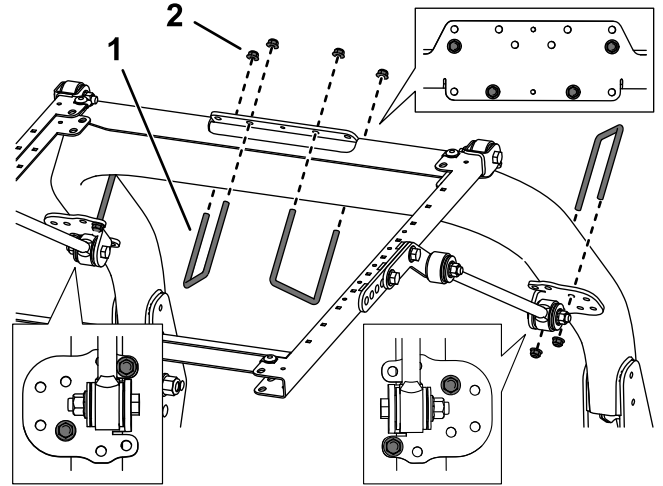


**Figure 35**

- |                          |                              |
|--------------------------|------------------------------|
| 1. Flange nut (1/2 inch) | 3. U-bolt (3-7/8 x 5 inches) |
| 2. Flange nut (3/8 inch) | 4. Bolt (1/2 x 2-1/2 inch)   |

7. Using the mounting holes shown in [Figure 35](#), mount the ROPS-mount bracket to the top of the roll bar with 2 U-bolts (3-1/2 inches) and 4 flange nuts.

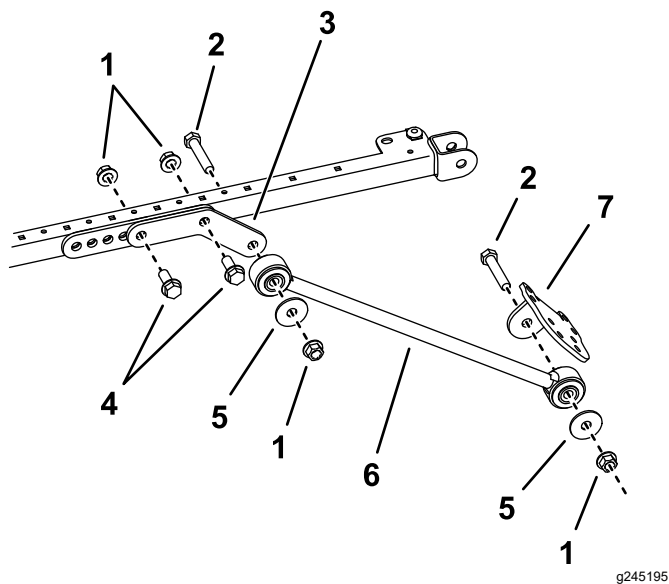
8. Using the mounting holes shown in [Figure 36](#), loosely secure each of the brace brackets to the roll bar posts with a U-bolt (3-7/8 x 5 inches) and 2 flange nuts.



**Figure 36**

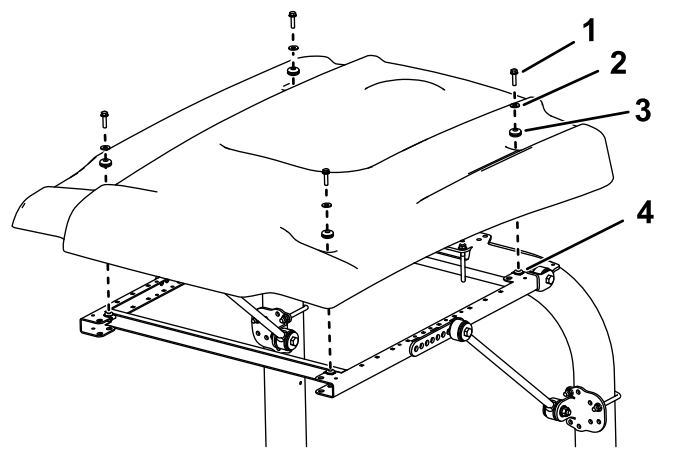
- |                              |                          |
|------------------------------|--------------------------|
| 1. U-bolt (3-7/8 x 5 inches) | 2. Flange nut (3/8 inch) |
|------------------------------|--------------------------|

9. On each side of the sunshade frame, loosely mount an extension link to the rear and center holes of the mount bracket with 2 bolts (1/2 x 1-1/2 inches), and 2 flange nuts (1/2 inch) as shown in [Figure 37](#).
10. Attach a brace to the outside of each extension link with a bolt (1/2 x 2-1/2 inches), washer (1/2 inch), and flange nut (1/2 inch) as shown in [Figure 37](#).



**Figure 37**

- |                              |                      |
|------------------------------|----------------------|
| 1. Flange nut (1/2 inch)     | 5. Washer (1/2 inch) |
| 2. Bolt (1/2 x 2-1/2 inches) | 6. Brace             |
| 3. Extension link            | 7. Brace bracket     |
| 4. Bolt (1/2 x 1-1/2 inch)   |                      |



**Figure 38**

- |   |             |
|---|-------------|
| 1. Flange-head bolt (5/16 x 1-1/4 inches) | 3. Grommet  |
| 2. Small washer                           | 4. Clip nut |

11. Loosely install a brace bracket to each brace with a bolt (1/2 x 2-1/2 inches), washer (1/2 inch), and flange nut (1/2 inch) as shown in [Figure 37](#).
12. Move the brace brackets up or down, on the vertical roll bar posts, until the sunshade frame is level to the floor.
 

**Note:** Use a level to make sure that the frame is level to the ground.
13. Tighten the U-bolt flange nuts, securing the mount brackets to the posts.
14. Tighten all the remaining flange nuts as follows:
  - Torque the flange nuts (3/8 inch) 41 to 55 N·m (30 to 41 ft-lb).
  - Torque the flange nuts (1/2 inch) 113 to 141 N·m (84 to 104 ft-lb).
15. While aligning the mounting holes, position the sunshade onto the frame as shown in [Figure 38](#).

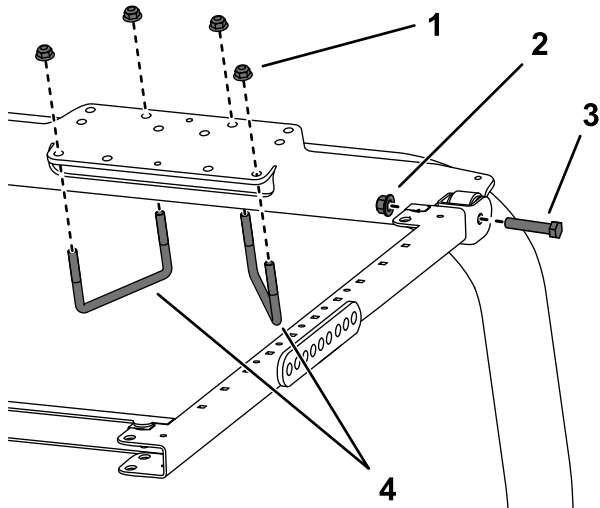
16. Loosely mount each corner of the sunshade to the frame with a flange-head bolt (5/16 x 1-1/4 inches), a small washer, and a grommet ([Figure 38](#)).
17. Tighten the sunshade-mounting bolts to 5 to 6 N·m (45 to 55 in-lb).

**Important:** Do not overtighten the mounting bolts as the sunshade may crack.

# Installing the Sunshade

## Reelmaster 5010 Machine or Groundsmaster 4300 Machine

1. Position the ROPS-mount brackets onto the top of the traction unit roll bar (Figure 39). Make sure that the roll bar is centered in the ROPS-mount bracket.

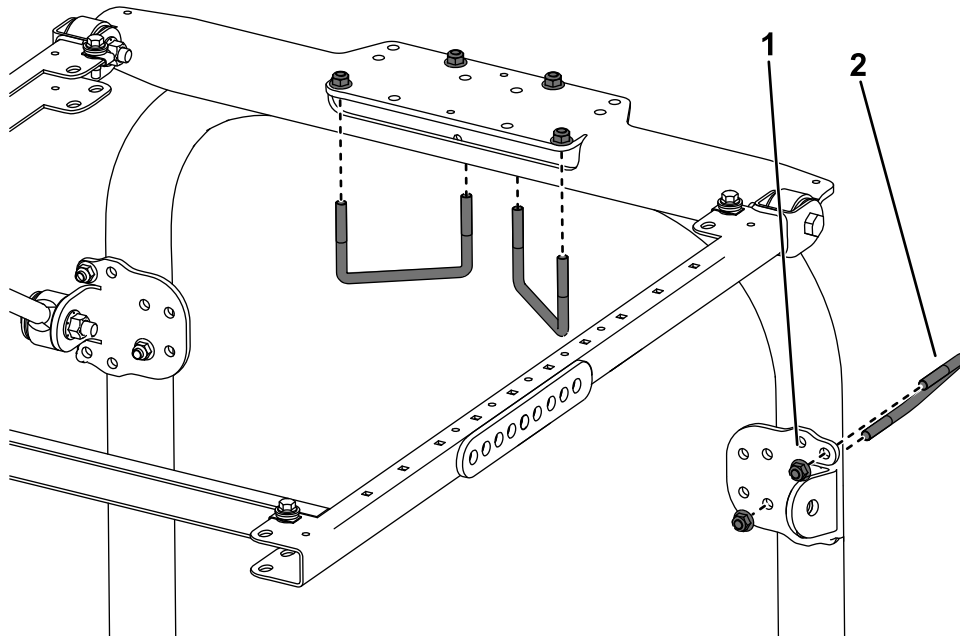


g246190

**Figure 39**

- |                          |                                  |
|--------------------------|----------------------------------|
| 1. Flange nut (3/8 inch) | 3. Bolt (1/2 x 2-1/2 inch)       |
| 2. Flange nut (1/2 inch) | 4. U-bolt (4-7/8 x 2-3/4 inches) |

2. Using the mounting holes shown in Figure 39, mount the ROPS-mount bracket to the top of the roll bar with 2 U-bolts (4-7/8 x 2-3/4 inches) and 4 flange nuts.
3. Using the mounting holes shown in Figure 40, loosely secure each of the brace brackets to the roll bar posts with a U-bolt (3-7/8 x 4 inches) and 2 flange nuts.



g482773

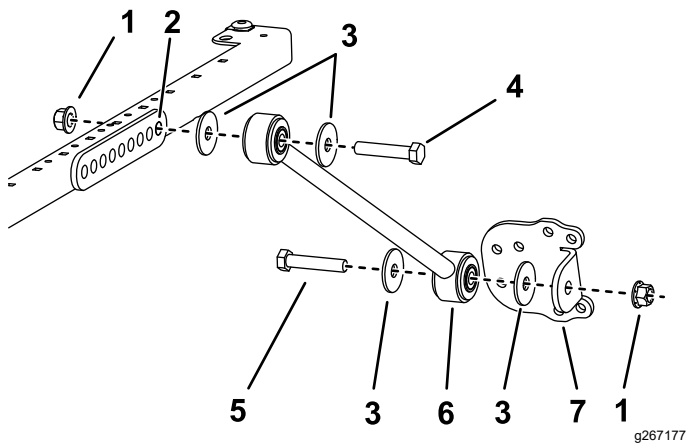
**Figure 40**

- |                          |                              |
|--------------------------|------------------------------|
| 1. Flange nut (3/8 inch) | 2. U-bolt (3-7/8 x 4 inches) |
|--------------------------|------------------------------|

4. On each side of the sunshade frame, loosely mount a brace to the rear hole of the brace

mount with a bolt (1/2 x 2-3/4 inches), 2 washers

(1/2 inch), and a flange nut (1/2 inch) as shown in [Figure 41](#).



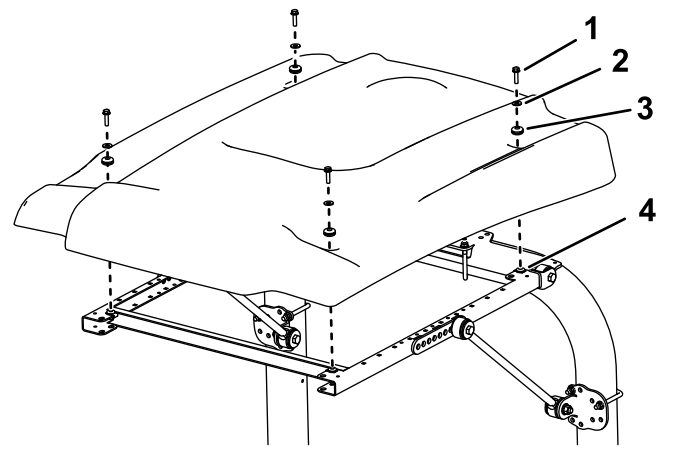
**Figure 41**

- |                              |                              |
|------------------------------|------------------------------|
| 1. Flange nut (1/2 inch)     | 5. Bolt (1/2 x 2-1/2 inches) |
| 2. Mount hole                | 6. Brace                     |
| 3. Washer (1/2 inch)         | 7. Brace bracket             |
| 4. Bolt (1/2 x 2-3/4 inches) |                              |

5. Loosely install a brace bracket to each brace with a bolt (1/2 x 2-1/2 inches), 2 washers (1/2 inch), and a flange nut (1/2 inch) as shown in [Figure 41](#).
6. Move the brace brackets up or down on the vertical roll bar posts until the sunshade frame is level to the floor.

**Note:** Use a level to ensure that the frame is level to the ground.

7. Tighten the U-bolt flange nuts, securing the mounting brackets to the posts.
8. Tighten all the remaining flange nuts as follows:
  - Torque the flange nuts (3/8 inch) 41 to 55 N·m (30 to 41 ft-lb).
  - Torque the flange nuts (1/2 inch) 113 to 141 N·m (84-104 ft-lb).
9. While aligning the mounting holes, position the sunshade onto the frame as shown in [Figure 42](#).



**Figure 42**

- |   |             |
|---|-------------|
| 1. Flange-head bolt (5/16 x 2-1/4 inches) | 3. Grommet  |
| 2. Small washer                           | 4. Clip nut |

10. Loosely mount each corner of the sunshade to the frame with a flange-head bolt (5/16 x 1-1/4 inches), a small washer, and a grommet ([Figure 42](#)).
11. Tighten the sunshade-mounting bolts to 5 to 6 N·m (45 to 55 in-lb).

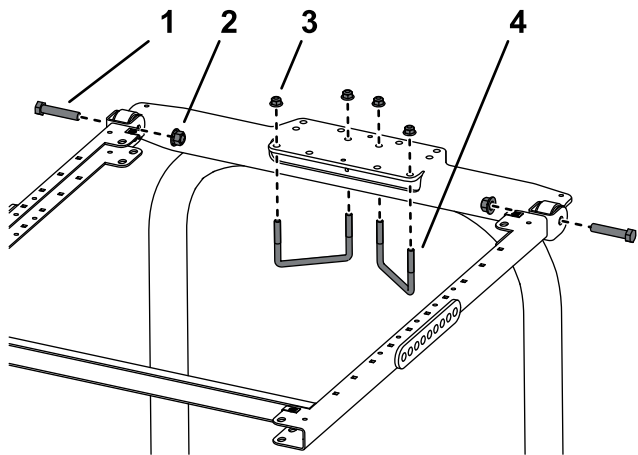
**Important:** Do not overtighten the mounting bolts as the sunshade may crack.

# Installing the Sunshade

## Multi Pro 1750 Machine

1. Position the ROPS-mount bracket onto the top of the turf sprayer roll bar (Figure 43).

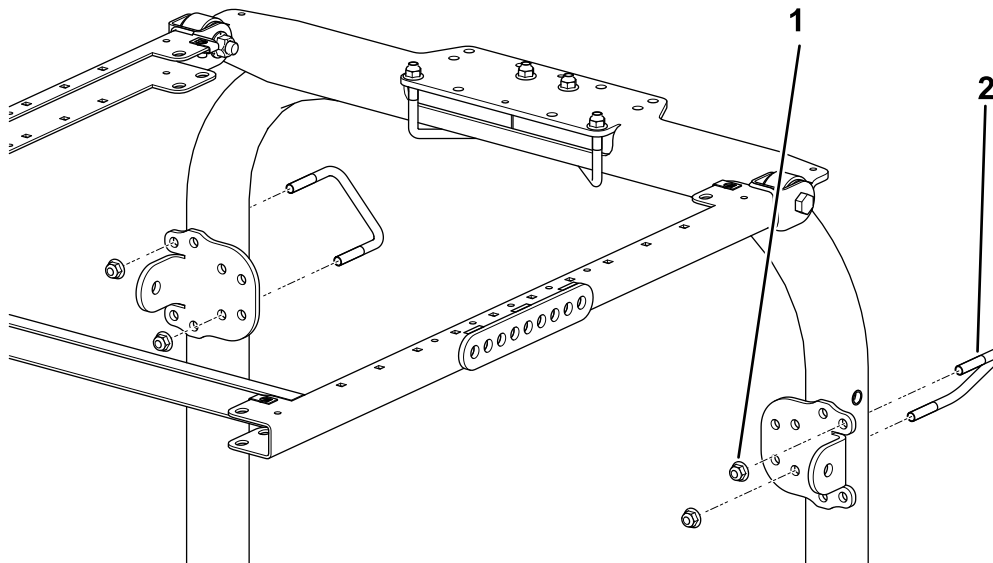
**Note:** Make sure that the roll bar is centered in the ROPS-mount bracket.



**Figure 43**

- |                              |                                  |
|------------------------------|----------------------------------|
| 1. Bolt (1/2 x 2-1/2 inches) | 3. Flange nut (3/8 inch)         |
| 2. Flange nut (1/2 inch)     | 4. U-bolt (4-7/8 x 2-3/4 inches) |

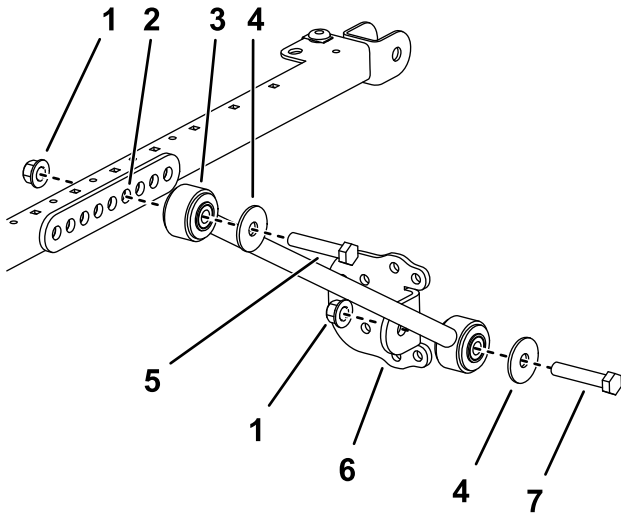
- 
2. Install the frame assembly to the ROPS-mount bracket (Figure 43).
  3. Using the mounting holes shown in Figure 43, mount the ROPS-mount bracket to the top of the roll bar with 2 U-bolts (4-7/8 x 2-3/4 inches) and 4 flange nuts.



**Figure 44**

- |                          |                                  |
|--------------------------|----------------------------------|
| 1. Flange nut (3/8 inch) | 2. U-bolt (3-7/8 x 2-3/4 inches) |
|--------------------------|----------------------------------|

- On each side of the sunshade frame, loosely mount an extension link to the fourth hole of the brace mount with 2 bolts (1/2 x 2-3/4 inches), and 2 flange nuts (1/2 inch) as shown in [Figure 45](#).



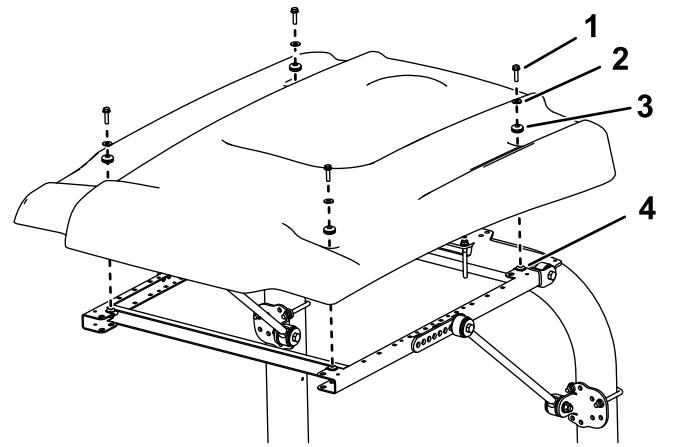
**Figure 45**

- |                          |                              |
|--------------------------|------------------------------|
| 1. Flange nut (1/2 inch) | 5. Bolt (1/2 x 2-3/4 inches) |
| 2. Mount hole            | 6. Brace bracket             |
| 3. Brace                 | 7. Bolt (1/2 x 2-1/2 inches) |
| 4. Washer (1/2 inch)     |                              |

- Loosely install a brace bracket to each brace with a bolt (1/2 x 2-1/2 inches), washer (1/2 inch), and flange nut (1/2 inch) as shown in [Figure 45](#).
- Move the brace brackets up or down on the vertical roll bar posts until the sunshade frame is level to the ground, then tighten the U-bolt flange nuts, securing the mounting brackets to the posts.

**Note:** Use a level to make sure that the frame is level to the ground.

- Tighten all the remaining flange nuts as follows:
  - Torque the flange nuts (3/8 inch) 41 to 55 N·m (30 to 41 ft-lb).
  - Torque the flange nuts (1/2 inch) 113 to 141 N·m (84 to 104 ft-lb).
- While aligning the mounting holes, position the sunshade onto the frame as shown in [Figure 46](#).



**Figure 46**

- |   |             |
|---|-------------|
| 1. Flange-head bolt (5/16 x 1-1/4 inches) | 3. Grommet  |
| 2. Small washer                           | 4. Clip nut |

- Loosely mount each corner of the sunshade to the frame with a flange-head bolt (5/16 x 1-1/4 inches), a small washer, and a grommet ([Figure 46](#)).
- Tighten the sunshade-mounting bolts 5 to 6 N·m (45 to 55 in-lb).

**Important:** Do not overtighten the mounting bolts as the sunshade may crack.

# Operation

## Transporting the Machine

When transporting the machine, use the 2 holes in the front of the sunshade frame (under the sunshade) to tie down the sunshade to a secure location on the machine and prevent it from raising up in the wind (Figure 47).

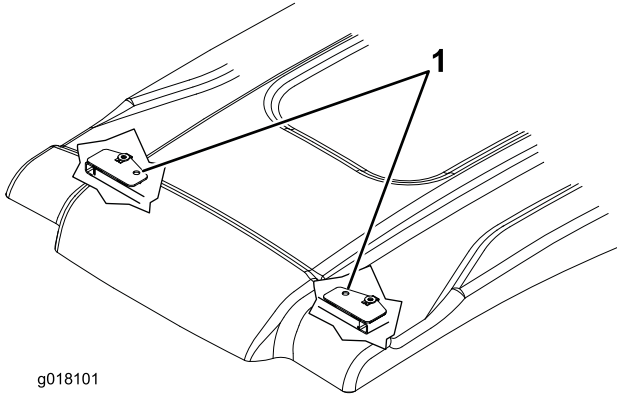


Figure 47

1. Tie down holes

---

# Maintenance

## Checking and Tightening the Hardware

Check and tighten the mounting hardware after 8 hours of operation. Periodically inspect and tighten the hardware.

## Cleaning the Sunshade

Wash with a mild soap or detergent using your bare hands, soft cloth, or sponge to free or dislodge any caked-on dirt or other foreign particles.

**Note:** Using some cleaners or cloths may scratch or degrade the surface of the sunshade. Test the cleaner or cloth in an inconspicuous area.

**Notes:**



# Notes:

**Notes:**

# Declaration of Incorporation

The Toro Company, 8111 Lyndale Ave. South, Bloomington, MN, USA declares that the following unit(s) conform(s) to the directives listed, when installed in accordance with the accompanying instructions onto certain Toro models as indicated on the relevant Declarations of Conformity.

Model No.	Serial No.	Product Description	Invoice Description	General Description	Directive
30669	—	White Universal Sunshade, Groundsmaster or Reelmaster Traction Units or Multi Pro 1750 Turf Sprayer	UNIVERSAL SUNSHADE - WHITE	Sunshade	2006/42/EC
30671	—	Red Universal Sunshade, Groundsmaster or Reelmaster Traction Units or Multi Pro 1750 Turf Sprayer	UNIVERSAL SUNSHADE - RED	Sunshade	2006/42/EC

Relevant technical documentation has been compiled as required per Part B of Annex VII of 2006/42/EC.

We will undertake to transmit, in response to requests by national authorities, relevant information on this partly completed machinery. The method of transmission shall be electronic transmittal.

This machinery shall not be put into service until incorporated into approved Toro models as indicated on the associated Declaration of Conformity and in accordance with all instructions, whereby it can be declared in conformity with all relevant Directives.

Certified:



Tom Langworthy  
Engineering Director  
8111 Lyndale Ave. South  
Bloomington, MN 55420, USA  
March 1, 2024

Authorized Representative:

Marcel Dutrieux  
Manager European Product Integrity  
Toro Europe NV  
Nijverheidsstraat 5  
2260 Oevel  
Belgium

# UK Declaration of Incorporation

The Toro Company, 8111 Lyndale Ave. South, Bloomington, MN, USA declares that the following unit(s) conform(s) to the directives listed, when installed in accordance with the accompanying instructions onto certain Toro models as indicated on the relevant Declarations of Conformity.

Model No.	Serial No.	Product Description	Invoice Description	General Description	Regulation
30669	—	White Universal Sunshade, Groundsmaster or Reelmaster Traction Units or Multi Pro 1750 Turf Sprayer	UNIVERSAL SUNSHADE - WHITE	Sunshade	S.I. 2008 No. 1597 (Machinery Safety)
30671	—	Red Universal Sunshade, Groundsmaster or Reelmaster Traction Units or Multi Pro 1750 Turf Sprayer	UNIVERSAL SUNSHADE - RED	Sunshade	S.I. 2008 No. 1597 (Machinery Safety)

Relevant technical documentation has been compiled as required per Schedule 10 of S.I. 2008 No. 1597.

We will undertake to transmit, in response to requests by national authorities, relevant information on this partly completed machinery. The method of transmission shall be electronic transmittal.

This machinery shall not be put into service until incorporated into approved Toro models as indicated on the associated Declaration of Conformity and in accordance with all instructions, whereby it can be declared in conformity with all relevant Directives.

This declaration has been issued under the sole responsibility of the manufacturer.  
The object of the declaration is in conformity with relevant UK legislation.



Tom Langworthy  
Engineering Director  
8111 Lyndale Ave. South  
Bloomington, MN 55420, USA  
March 1, 2024

Authorized Representative:

Marcel Dutrieux  
Manager European Product Integrity  
Toro U.K. Limited  
Spellbrook Lane West  
Bishop's Stortford  
CM23 4BU  
United Kingdom