



Count on it.

Parts Catalog

**GrandStand® HDX Mower
With 60in TURBO FORCE® Cutting Unit**

Model No. 72510—Serial No. 414500000 and Up



Ordering Replacement Parts

To order replacement parts, please supply the part number, the quantity, and the description of each part desired.

Understanding Reference Numbers

Each identified part in an illustration has a reference number. The reference number for a part also appears in the parts list, along with other information about the part.

This catalog uses two special reference number formats, one to indicate parts in a service assembly and another to indicate the quantity of a given part in an illustration.

Service Assembly Reference Numbers

Parts in service assemblies have reference numbers in the form a:b. The a represents the reference number of the entire service assembly and the b represents a sequential number unique to each part within the service assembly.

For example, a wheel assembly might be identified by reference number 6, the tire by 6:1, the valve by 6:2, and the wheel by 6:3. When you order the assembly identified by reference number 6, you receive all parts identified by reference numbers 6:1, 6:2, and 6:3. However, you may also order any part individually. Reference numbers of this type appear in illustration and in parts lists.

Reference Numbers Indicating Quantity

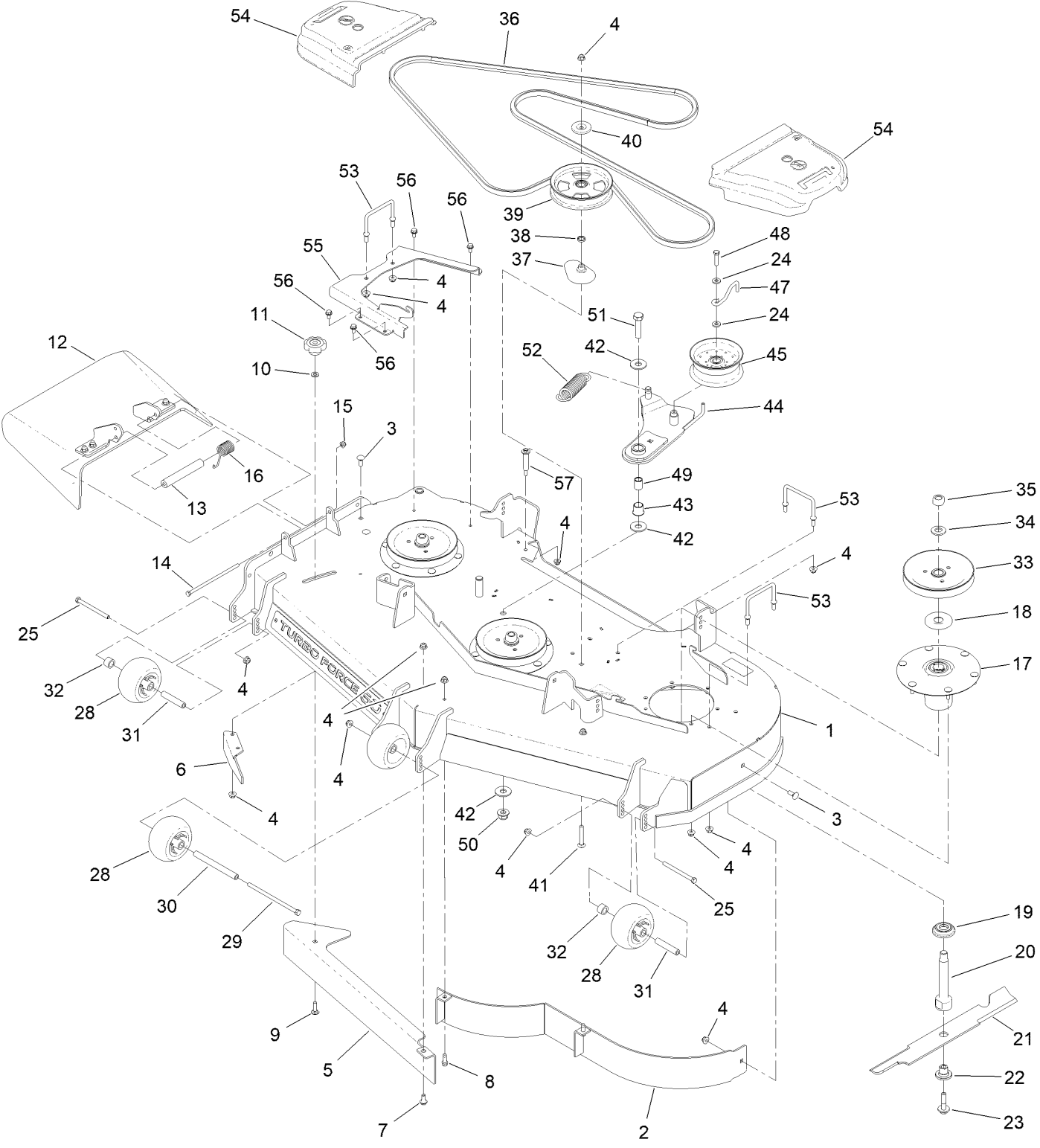
In an illustration, if a reference number indicates more than one part, the reference number has the form nX y. The n represents the quantity of the part, the X is the multiplication symbol, and the y represents the reference number.

For example, in an illustration, the reference number 2X 37 means that two of the parts identified by reference number 37 are indicated.

Contents

60 Inch Deck Assembly	4
Deck Assembly No. 145-1617	6
Spindle Assembly No. 137-9780	8
Deflector Assembly No. 144-2635	10
Ground Drive Assembly	12
LH Transmission Assembly No. 161-1323	14
RH Transmission Assembly No. 161-1324	16
Hydraulic Hose Assembly	18
Motion Control Assembly	20
Control Handle Assembly No. 132-5157	22
Control Handle Assembly No. 132-5158	24
Parking Brake Assembly	26
Deck Lift Assembly	28
HOC Level Assembly No. 130-1755	30
Deck Strut Assembly No. 147-4557	32
Frame Assembly	34
Wheel and Bearing Assembly No. 140-4896	36
Platform Assembly	38
Engine Assembly	40
Fuel Tank Assembly	42
Electrical Assembly	44
Attachments and Accessories	46

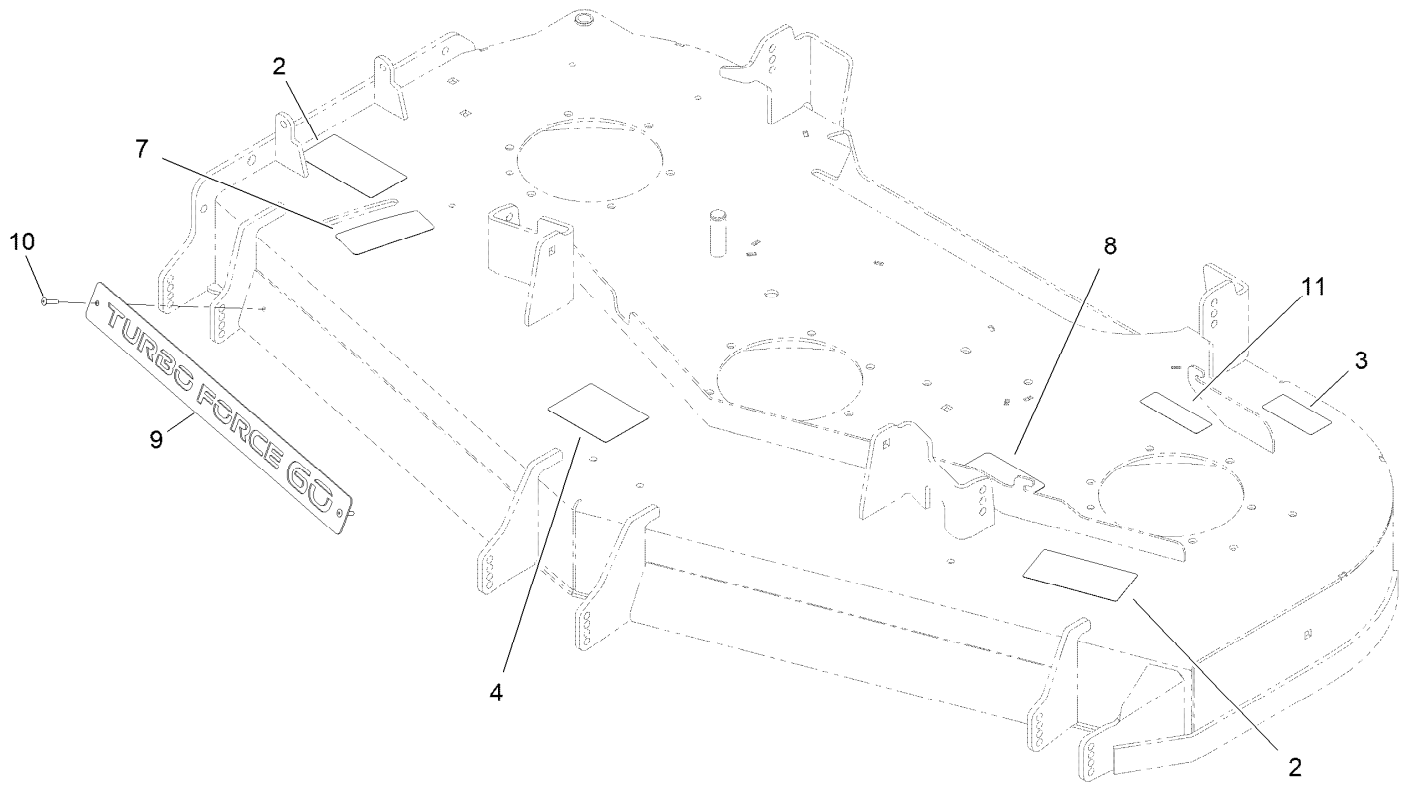
60 Inch Deck Assembly



60 Inch Deck Assembly (continued)

<i>Ref.</i>	<i>Part Number</i>	<i>Qty.</i>	<i>Description</i>	<i>Ref.</i>	<i>Part Number</i>	<i>Qty.</i>	<i>Description</i>
1	145-1617	1	60 Deck ASM W/Decals	31	133-2129	2	Tube-Shafting
2	117-9701-01	1	Baffle ASM	32	133-2128	2	Tube-Spacer
3	3231-2	3	Bolt-CARR	33	138-6059	3	Sheave-Drive, Blade
4	104-8301	35	Nut-HF, NI	34	103-2802	3	Washer
5	139-8106-01	1	Plate-Baffle, Formed [red]	35	116-7306	3	Nut-Hex
6	106-3216-01	1	Baffle-Discharge	36	131-1121	1	Belt-V
7	94-7582	1	Bolt-Shoulder	37	109-2872	1	Spacer-Pulley
8	92-1624	2	Screw-HWH Thd Form	38	107-4293	1	Spacer-Plate, BBC
9	119-4162	1	Screw-CARR	39	136-5404	1	Pulley-Idler, Flat
10	100-4852	1	Washer-Hardened	40	132-5153	1	Shield-Dust
11	109-1092	1	Knob	41	3231-44	1	Screw-CARR
12	144-2635	1	Rubber Deflector ASM	42	3256-7	3	Washer-Flat
13	105-4622	1	Spacer	43	135-1248	1	Bushing, Igus
14	322-50	1	Screw-HH	44	147-7796-03	1	Idler Arm ASM [black]
15	104-8300	1	Nut-HF, NI	45	116-4666	1	Idler-Pulley, Flat
16	108-4052	1	Spring-Torsion	47	147-4644	1	Wireform Belt Guide,Idler, Top
17	137-9780	3	Spindle ASM	48	323-8	1	Screw-HH
18	103-1330	3	Guard-Bearing, Top	49	147-7797	1	Bushing-Idler Pivot
19	137-9784	3	Guard-Bottom	50	133-9681	1	Nut-HF
20	138-6045	3	Shaft-Spindle	51	327-7	1	Screw-HH
21	140-1240	3	Blade	52	108-5412	1	Spring-Extension
22	137-9787	3	Bushing-Hex	53	109-6982	3	Wireform-Cover
23	109-9220	3	Screw-Sems	54	109-6936	2	Cover-Belt, LH
24	138-7207	2	Spacer-Hub, Blower	55	147-4552-01	1	Platform, Belt Cover 60
25	323-23	2	Screw-HH	56	32144-14	4	Screw-HWHTF
28	1-603299	4	Roller-Scalp, Anti	57	112-3977	1	Bolt-Shoulder
29	108-5388	1	Screw-HH				
30	98-5967	1	Spacer-Wheel				

Deck Assembly No. 145-1617



Deck Assembly No. 145-1617 (continued)

<i>Ref.</i>	<i>Part Number</i>	<i>Qty.</i>	<i>Description</i>	<i>Ref.</i>	<i>Part Number</i>	<i>Qty.</i>	<i>Description</i>
2	133-4604	2	Decal-Danger	8	147-4766	1	Decal-Belt Routing
3	116-8283	1	Decal-Torque, Bolt	9	147-4631-03	1	Plate-Turbo Force [black]
4	127-0326	1	Decal-Scalp, Anti	10	130-8451	2	Rivet-Trifold
7	138-1147	1	Decal - Baffle Adjustment	11	112-9028	2	Decal-Cover, Missing

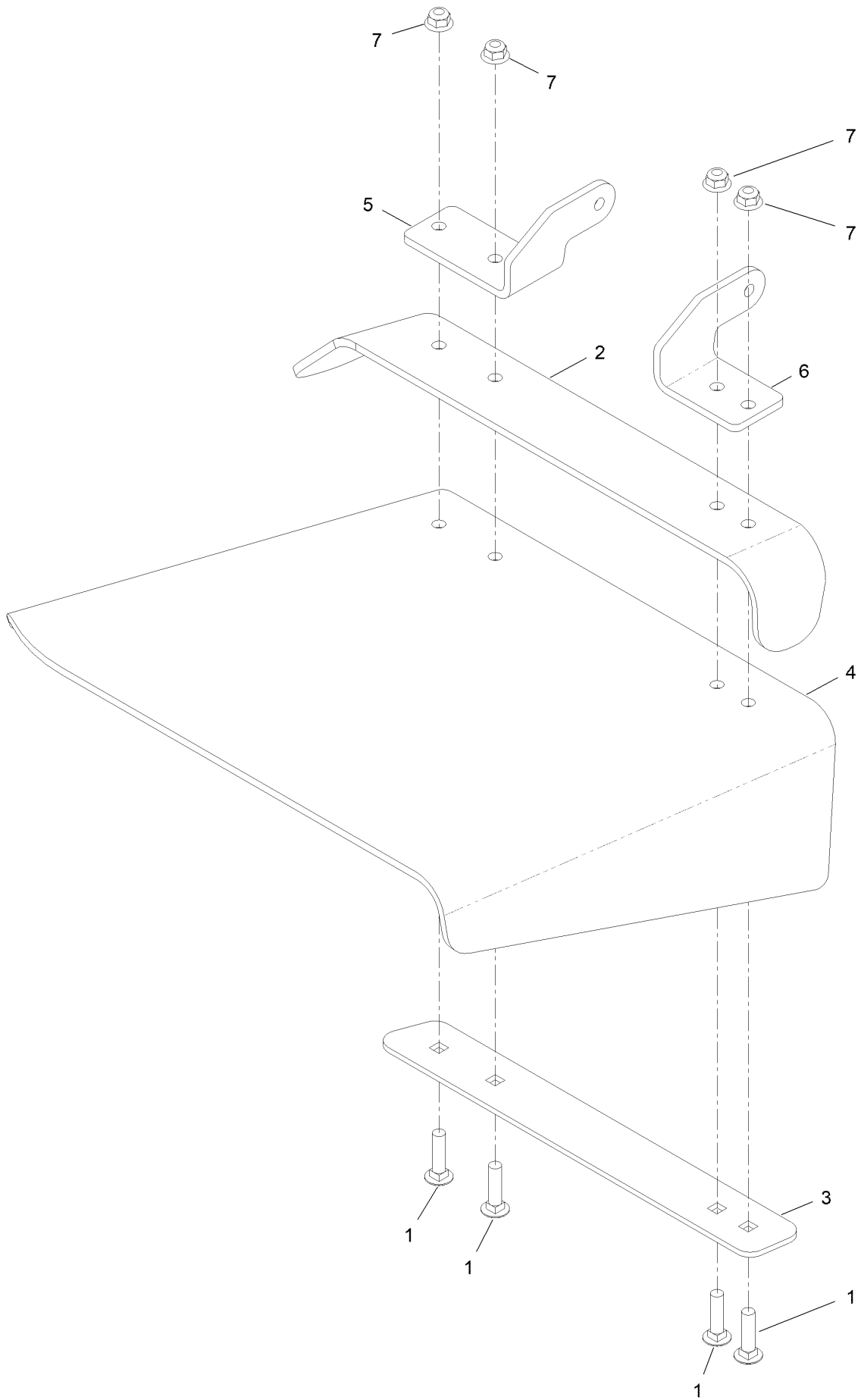
Spindle Assembly No. 137-9780



Spindle Assembly No. 137-9780 (continued)

<i>Ref.</i>	<i>Part Number</i>	<i>Qty.</i>	<i>Description</i>
2	116-0720	2	Bearing-Ball
3	138-6042	1	Spacer-Bearing

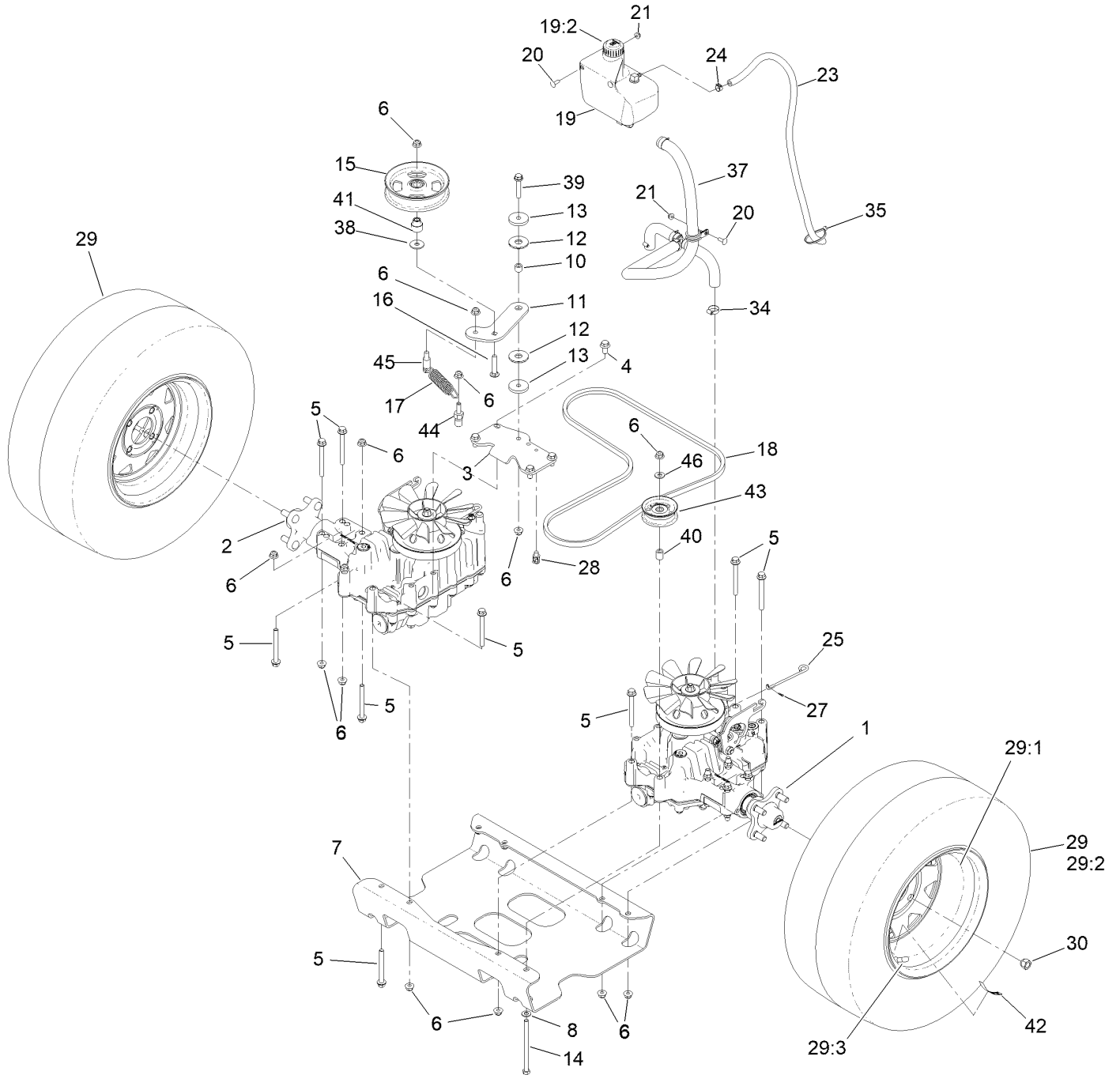
Deflector Assembly No. 144-2635



Deflector Assembly No. 144-2635 (continued)

<i>Ref.</i>	<i>Part Number</i>	<i>Qty.</i>	<i>Description</i>	<i>Ref.</i>	<i>Part Number</i>	<i>Qty.</i>	<i>Description</i>
1	3231-4	4	Screw-CARR	5	108-4059-01	1	Plate-Hinge, Rear
2	106-3246-01	1	Deflector	6	106-3253-01	1	Plate-Hinge, Front
3	106-3248-03	1	Strap-Discharge	7	104-8301	4	Nut-HF, NI
4	139-8114	1	Deflector-Deck, Rubber				

Ground Drive Assembly



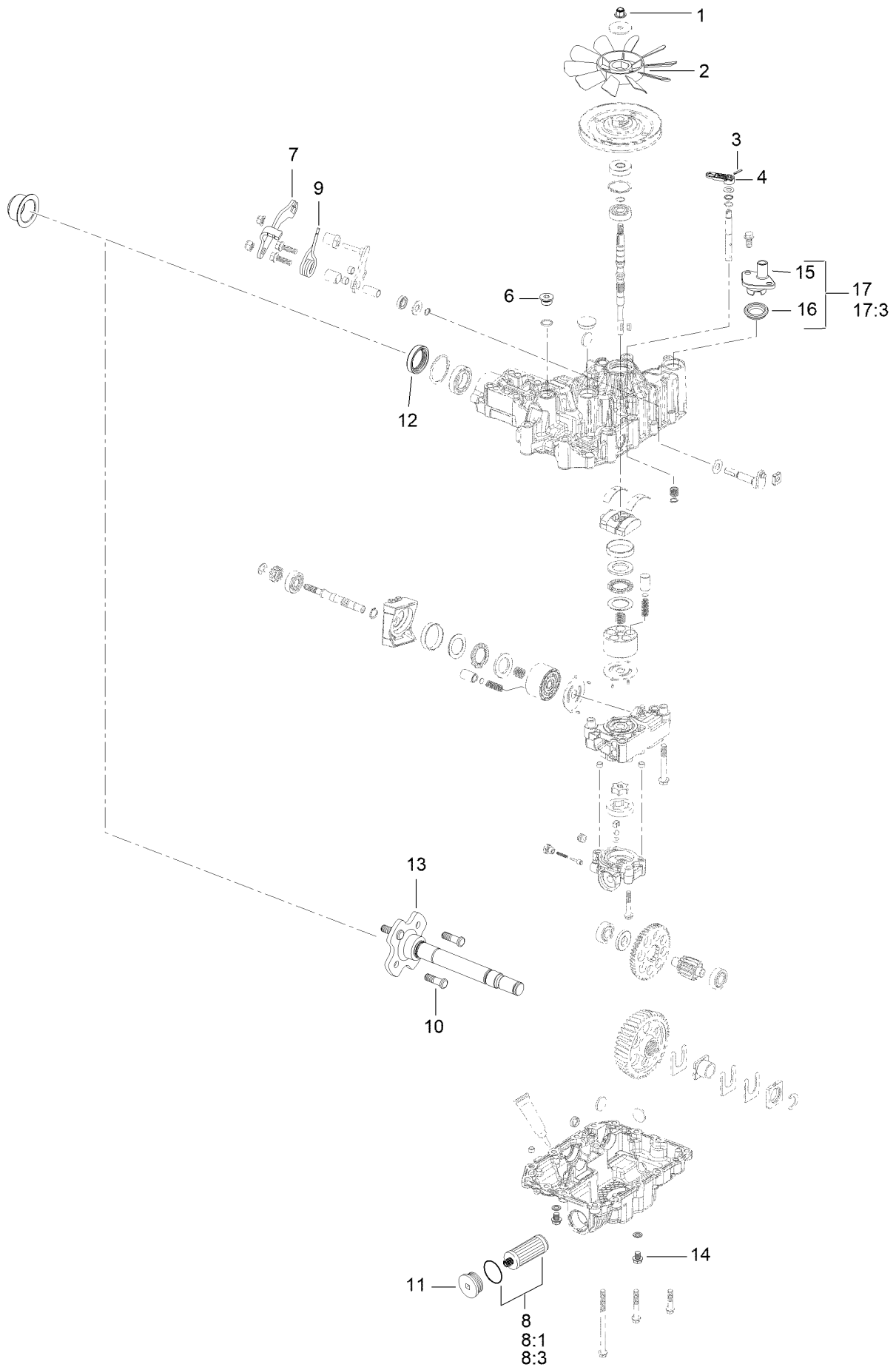
Ground Drive Assembly (continued)

<i>Ref.</i>	<i>Part Number</i>	<i>Qty.</i>	<i>Description</i>	<i>Ref.</i>	<i>Part Number</i>	<i>Qty.</i>	<i>Description</i>
1	161-1323	1	LH Transmisson (Tzt13Sy)	24	92-2379	1	Clamp-Hose
2	161-1324	1	RH Transmisson (Tzt13Sx)	25	145-6176	2	Rod-Bypass
3	147-4756-03	1	Plate, Support, Transaxle	27	108-2992	2	Pin-Hair
4	161-1312	4	Screw-Bshs	28	161-1316	2	Clip, Fir Tree
5	116-4701	15	Screw-HHF	29	144-6607	2	Wheel And Tire ASM
6	104-8301	20	Nut-HF, NI	29:1	144-6606	1	Wheel
7	147-4636-03	1	Plate-Hydro	29:2	140-7975	1	Tire
8	3256-24	1	Washer-Plain	29:3	232-27	1	Stem-Valve
10	1-413088	1	Bushing-Lever, Lift	30	242-50	8	Nut-Lug
11	147-4757	1	Plate-Arm, Idler	34	2412-129	2	Clamp-Hose
12	114-0463	2	Washer-Friction, Composite	35	3290-378	1	Tie-Cable
13	110-9981	2	Washer-Plain	37		1	HYD Hose ASM ■
14	323-25	1	Screw-HH	38	93-8806	1	Washer-Hardened
15	136-5405	1	Pulley-Idler, Flat	39	108-3742	1	Screw-HHF
16	3231-6	1	Screw-CARR	40	115-1451	1	Spacer-Wheel
17	138-1104	1	Spring-Extension	41	138-7227	1	Bushing-Idler
18	145-5186	1	Belt-V	42	126-2055	2	Decal-Torque, Wheel Hub Lug
19	132-1135	1	Tank-HYD	43	130-8362	1	Pulley-Idler, Flat
19:2	133-8677	1	Cap-Vented	44	132-4724	1	Pin-Anchor, Spring
19:5	140-9463	1	Strainer-Neck, Removable ●	45	110-3841	1	Anchor-Spring
20	3229-25	3	Screw-CARR	46	3256-3	1	Washer-Flat
21	104-7201	3	Nut-HF, NI				
23	109-0309	1	Hose-Fuel				

● Not illustrated

■ Not serviced separately

LH Transmission Assembly No. 161-1323



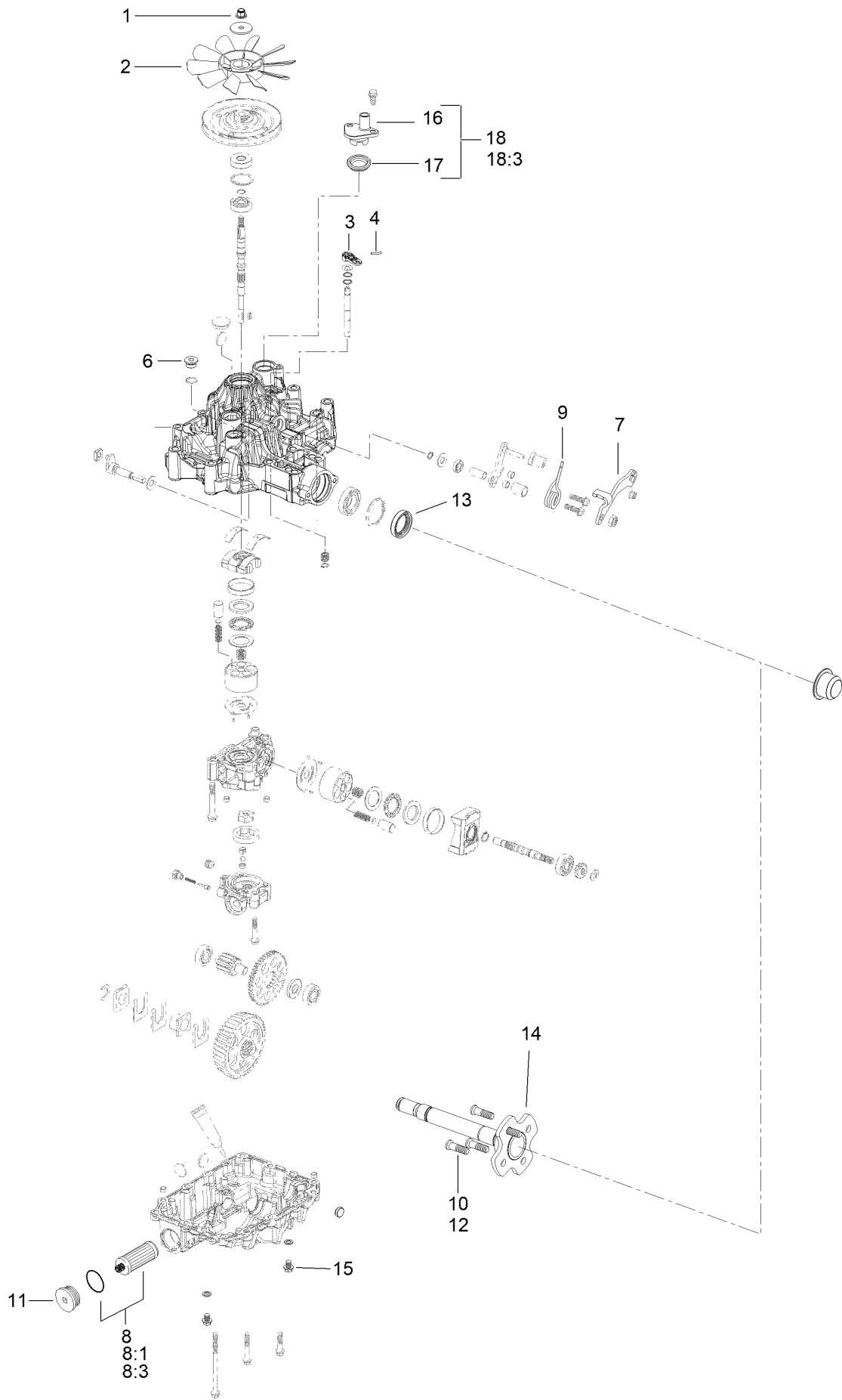
LH Transmission Assembly No. 161-1323 (continued)

<i>Ref.</i>	<i>Part Number</i>	<i>Qty.</i>	<i>Description</i>	<i>Ref.</i>	<i>Part Number</i>	<i>Qty.</i>	<i>Description</i>
1	132-4737	1	Nut-Lock	10	137-9509	4	Stud-Wheel
2	132-4738	1	Fan	11	138-4613	1	Cap-Oil Filter
3	104-3265	1	Pin	12	139-5587	1	Seal-Axle, Ua
4	132-4700	1	Lever-Bypass	13	139-5588	1	Axle
5	161-7919	1	Brake Kit, Y ●	14	139-5589	2	Drain Bolt
6	132-4735	1	Cap-Oil	15	139-5590	1	Expansion Fitting
7	161-7914	1	Lever-Control, LH	16	139-5591	1	Grommet Seal, Expansion Fitting
8	144-3842	1	2 Transmission Filter Kit				
8:1		2	Filter (1A6370-26450) ■	17	139-7871	1	Expansion Fitting - W/ Seal
8:3		4	Sealing Washer ■	17:3		1	M8*20 Flange Bolt ■
9	137-4109	1	Spring-Torsion	18	161-7916	1	Pulley ●

● Not illustrated

■ Not serviced separately

RH Transmission Assembly No. 161-1324



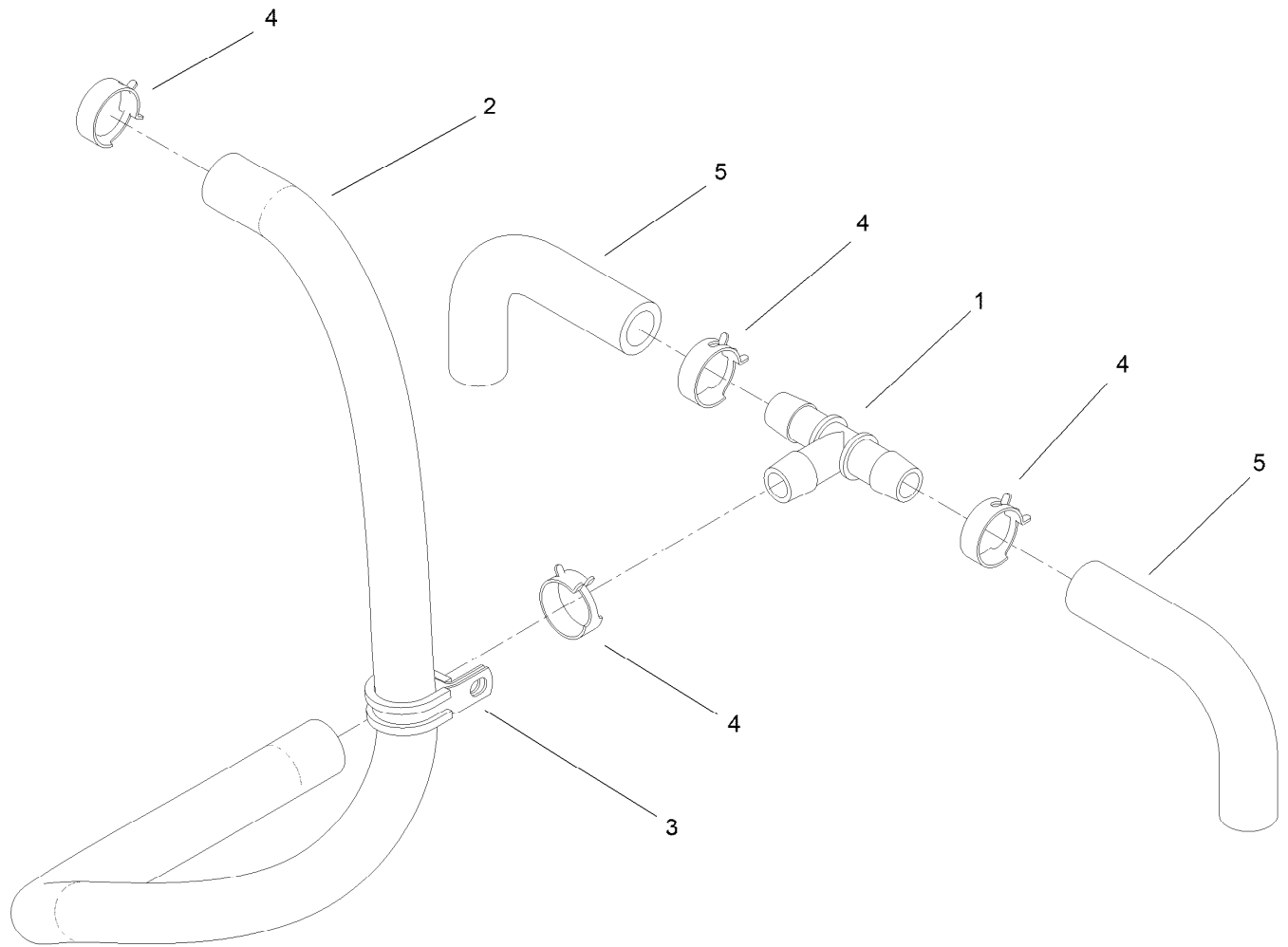
RH Transmission Assembly No. 161-1324 (continued)

<i>Ref.</i>	<i>Part Number</i>	<i>Qty.</i>	<i>Description</i>	<i>Ref.</i>	<i>Part Number</i>	<i>Qty.</i>	<i>Description</i>
1	132-4737	1	Nut-Lock	11	138-4613	1	Cap-Oil Filter
2	132-4738	1	Fan	12	137-9509	1	Stud-Wheel
3	104-3265	1	Pin	13	139-5587	1	Seal-Axle, Ua
4	132-4700	1	Lever-Bypass	14	139-5588	1	Axle
5	161-7917	1	Brake Kit, X ●	15	139-5589	2	Drain Bolt
6	132-4735	1	Cap-Oil	16	139-5590	1	Expansion Fitting
7	161-7915	1	Lever-Control, RH	17	139-5591	1	Grommet Seal, Expansion Fitting
8	144-3842	1	2 Transmission Filter Kit	18	139-7871	1	Expansion Fitting - W/ Seal
8:1		2	Filter (1A6370-26450) ■	18:3		1	M8*20 Flange Bolt ■
8:3		4	Sealing Washer ■	19	161-7916	1	Pulley ●
9	137-4109	1	Spring-Torsion				
10	137-9509	4	Stud-Wheel				

● Not illustrated

■ Not serviced separately

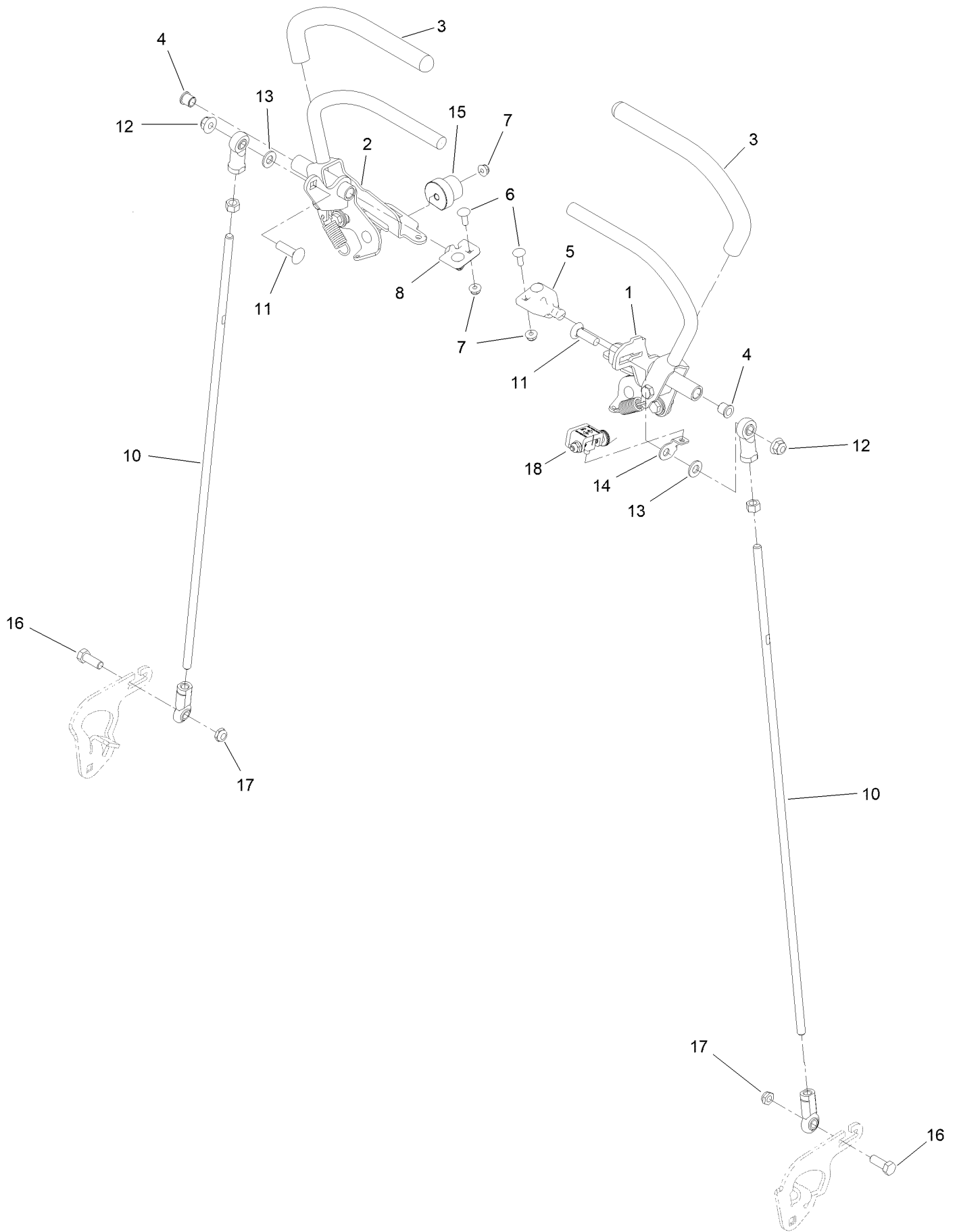
Hydraulic Hose Assembly



Hydraulic Hose Assembly (continued)

<i>Ref.</i>	<i>Part Number</i>	<i>Qty.</i>	<i>Description</i>	<i>Ref.</i>	<i>Part Number</i>	<i>Qty.</i>	<i>Description</i>
1	139-4055	1	Fitting Tee	4	145-3599	4	Hose Clamp
2	145-1644	1	Hydraulic Hose	5	145-6177	2	Hose-Hydraulic
3	147-0201	1	R-Clamp				

Motion Control Assembly



Motion Control Assembly (continued)

<i>Ref.</i>	<i>Part Number</i>	<i>Qty.</i>	<i>Description</i>	<i>Ref.</i>	<i>Part Number</i>	<i>Qty.</i>	<i>Description</i>
1	132-5157	1	LH Control Handle ASM	11	3231-28	2	Screw-CARR
2	132-5158	1	RH Control Handle ASM	12	104-8301	2	Nut-HF, NI
3	119-0222	2	Grip	13	3256-24	2	Washer-Plain
4	103-9928	2	Bearing	14	132-7538	1	Bracket-Adjustment, Speed
5	120-3288	1	Tab-Pivot, LH	15	126-1499	2	Cam
6	3229-1	4	Screw-CARR	16	323-6	2	Screw-HH
7	104-7201	6	Nut-HF, NI	17	3296-59	2	Nut-Lock, NI
8	120-3287	1	Tab-Pivot, RH	18	132-7595	1	Speed Setting Tool
10	145-1625	2	RH Control Rod ASM				

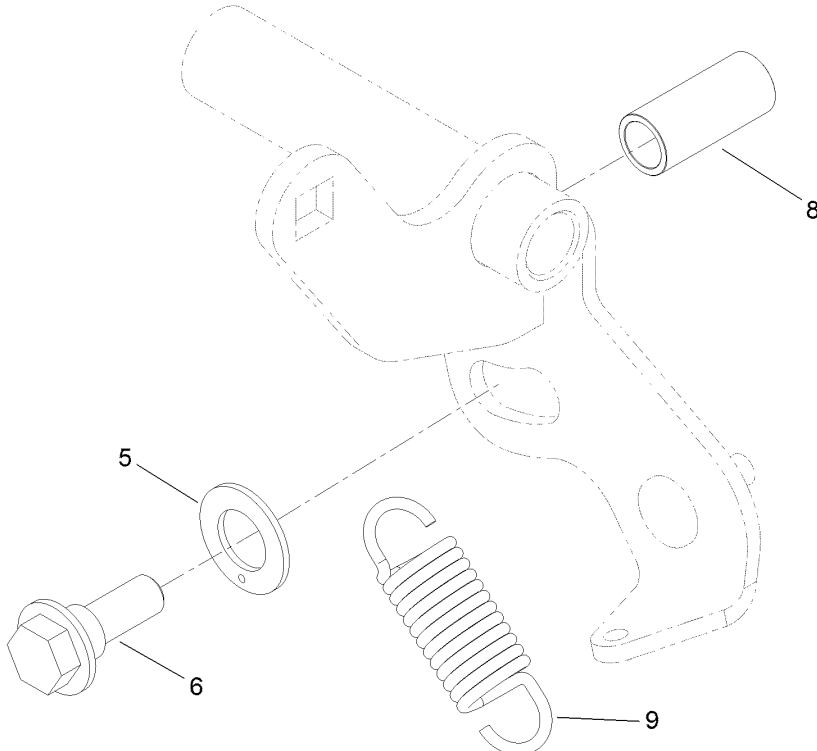
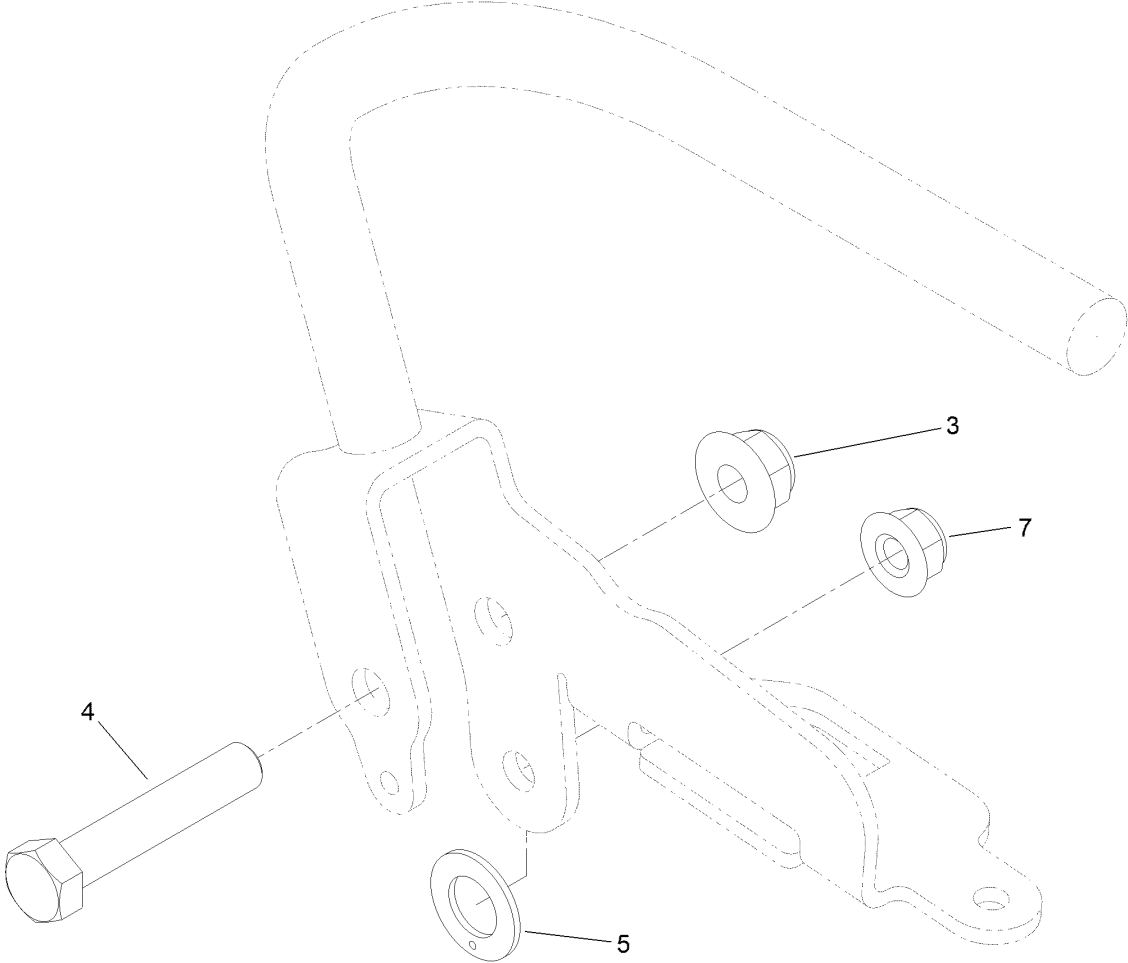
Control Handle Assembly No. 132-5157



Control Handle Assembly No. 132-5157 (continued)

<i>Ref.</i>	<i>Part Number</i>	<i>Qty.</i>	<i>Description</i>	<i>Ref.</i>	<i>Part Number</i>	<i>Qty.</i>	<i>Description</i>
2	131-3562	1	Bearing-Sleeve	7	116-2670	1	Screw-Shoulder
4	323-10	1	Screw-HH	8	104-8300	1	Nut-HF, NI
5	104-8301	1	Nut-HF, NI	9	132-5146	1	Spring-Extension
6	110-7191	2	Washer-Thrust				

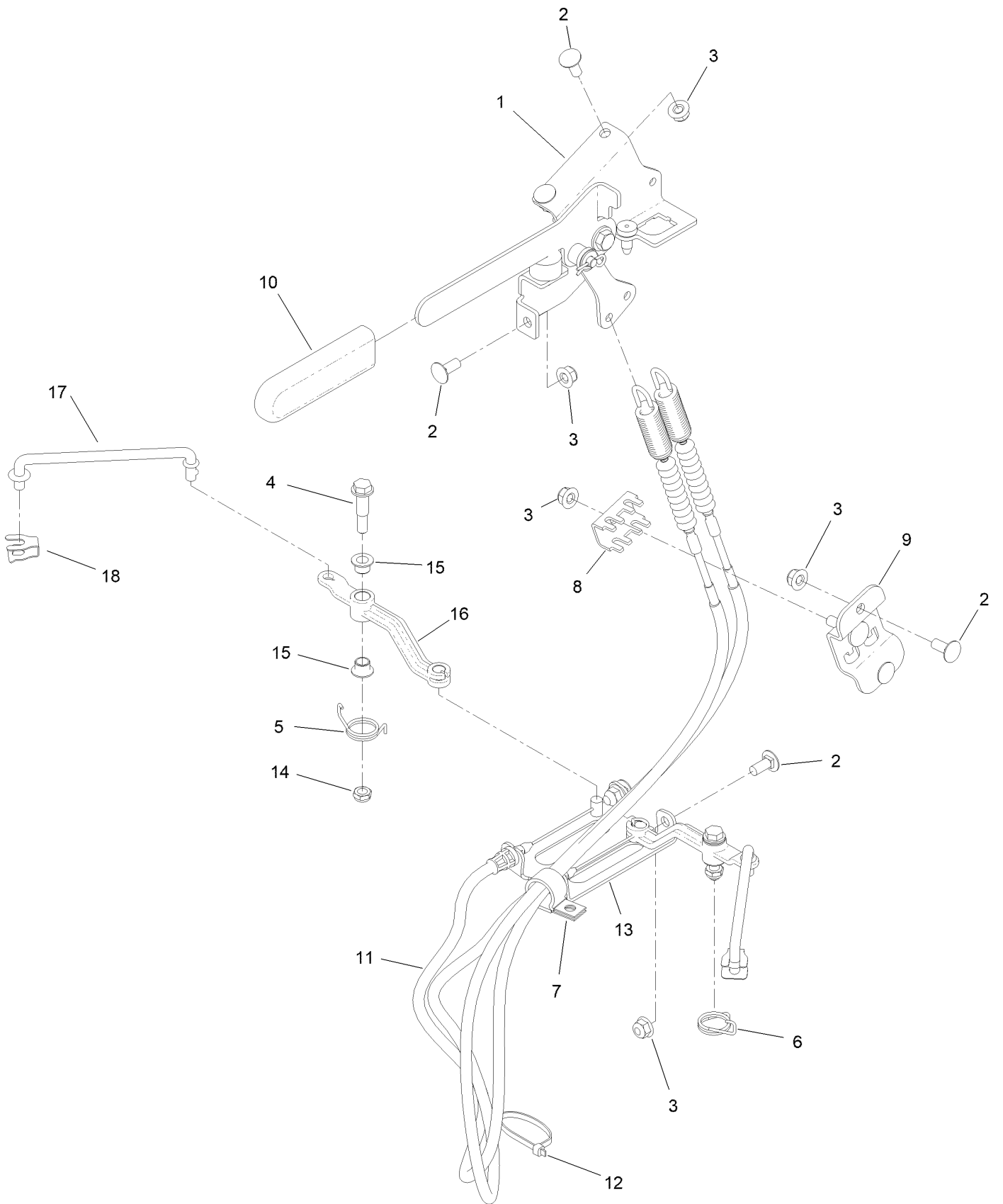
Control Handle Assembly No. 132-5158



Control Handle Assembly No. 132-5158 (continued)

<i>Ref.</i>	<i>Part Number</i>	<i>Qty.</i>	<i>Description</i>	<i>Ref.</i>	<i>Part Number</i>	<i>Qty.</i>	<i>Description</i>
3	104-8301	1	Nut-HF, NI	7	104-8300	1	Nut-HF, NI
4	323-10	1	Screw-HH	8	131-3562	1	Bearing-Sleeve
5	110-7191	2	Washer-Thrust	9	132-5146	1	Spring-Extension
6	116-2670	1	Screw-Shoulder				

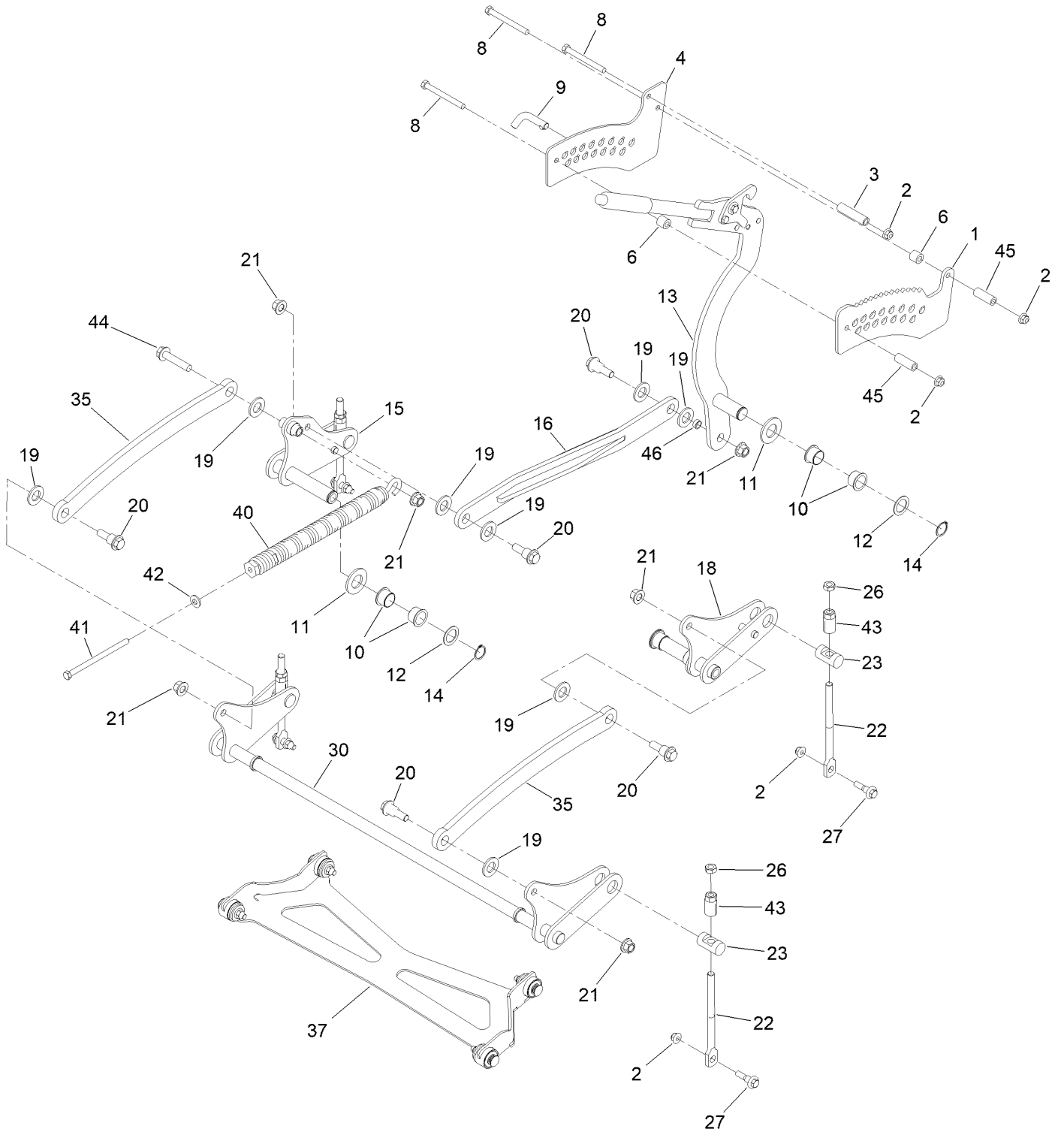
Parking Brake Assembly



Parking Brake Assembly (continued)

<i>Ref.</i>	<i>Part Number</i>	<i>Qty.</i>	<i>Description</i>	<i>Ref.</i>	<i>Part Number</i>	<i>Qty.</i>	<i>Description</i>
1	132-5170	1	Brake Handle ASM	10	1-633268	1	Grip-Lever
2	3230-23	7	Bolt-CARR	11	145-1643	2	Cable-Brake
3	104-8300	8	Nut-HF, NI	12	3290-378	1	Tie-Cable
4	116-8607	2	Screw-Shoulder	13	147-3494	1	Bracket-Cable, Mount
5	139-1508	1	Spring-Torsion	14	3296-47	2	Nut-Lock,NI
6	139-1538	1	Spring-Torsion	15	137-2374	4	Bushing-Flange
7	110-0824	1	R-Clamp	16	147-4801	2	Arm-Brake
8	132-1187	1	Clamp-Cable	17	147-3484	2	Rod-Brake
9	132-7582	1	Mount-Cable, Brake	18	147-4783	2	Retainer-Rod

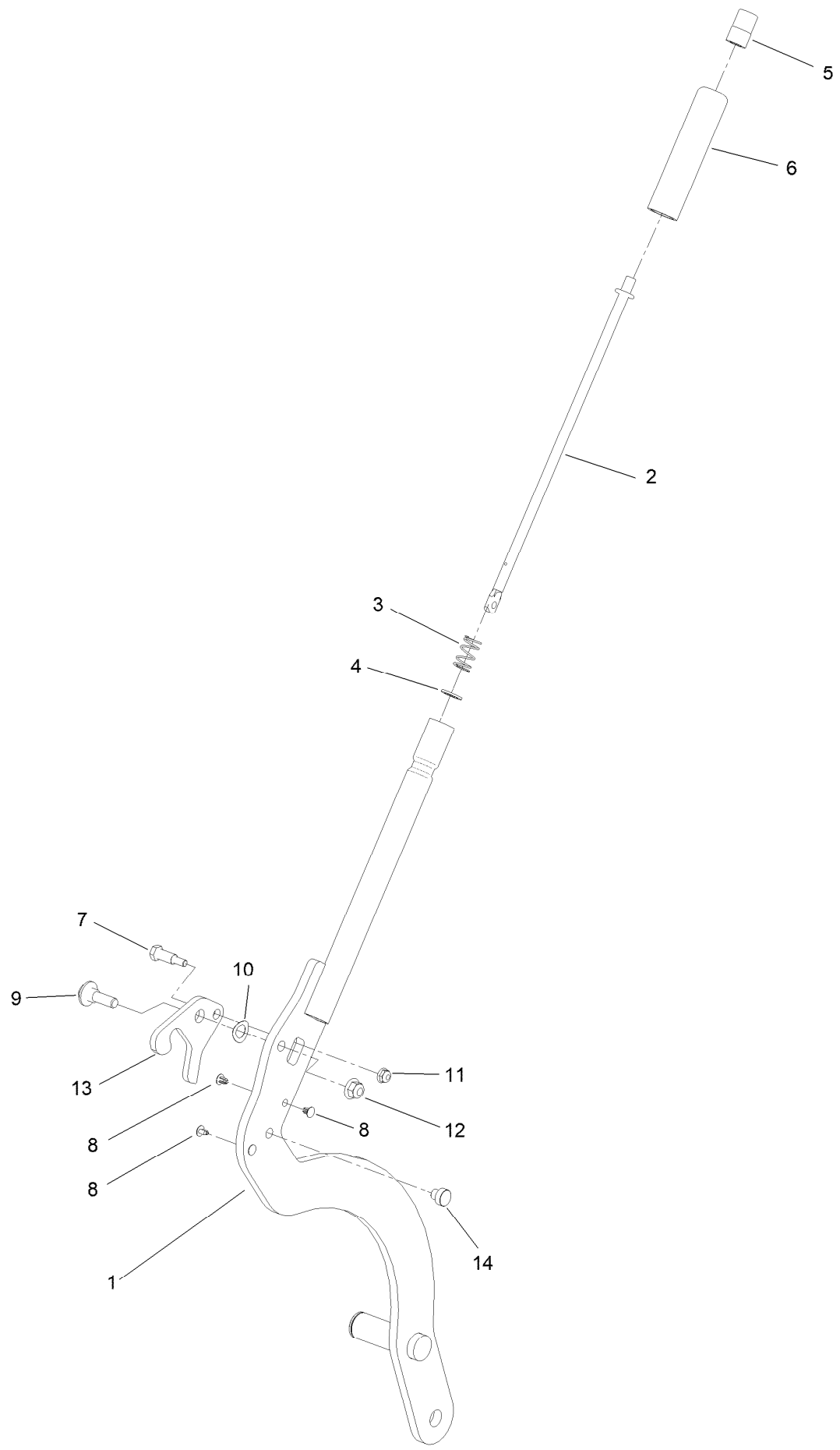
Deck Lift Assembly



Deck Lift Assembly (continued)

<i>Ref.</i>	<i>Part Number</i>	<i>Qty.</i>	<i>Description</i>	<i>Ref.</i>	<i>Part Number</i>	<i>Qty.</i>	<i>Description</i>
1	138-4887	1	Plate-HOC, Inner	20	116-0780	5	Screw-Shoulder, HHF
2	104-8301	7	Nut-HF, NI	21	99-5107	6	Nut-Lock
3	138-1111	1	Spacer	22	147-4822	4	Link-Adjuster, Deck Lift
4	132-7581	1	HOC Plate And Decal ASM	23	109-8353	4	Trunnion
6	121-1760	2	Spacer	26	3218-5	4	Nut-Jam
8	116-4701	3	Screw-HHF	27	130-0742	4	Bolt-Shoulder
9	116-5584	1	Pin-HOC	30	147-2437-03	1	Front Cross Shaft ASM [black]
10	127-0369	6	Bushing	35	127-1948-03	2	Link-Lift
11	3256-62	3	Washer-Flat	37	147-4557	1	ASM-Deck Strut W/Bushings
12	10-8110	3	Washer-Thrust	40	116-0886	1	Spring-Extension
13	130-1755	1	HOC Lever ASM	41	323-58	1	Bolt-TAP, HH
14	32151-29	3	Ring-Retaining	42	98-5975	1	Washer-Belleville
15	147-2441-03	1	RH Rear Lift Arm ASM [black]	43	109-7840	4	Adjuster-Lift, Deck
16	147-4810-03	1	HOC Link ASM [black]	44	127-7444	1	Screw-HHF
18	147-2446-03	1	LH Rear Lift Arm ASM [black]	45	95-6448	2	Spacer
19	3256-28	8	Washer-Flat	46	138-2235	1	Spacer

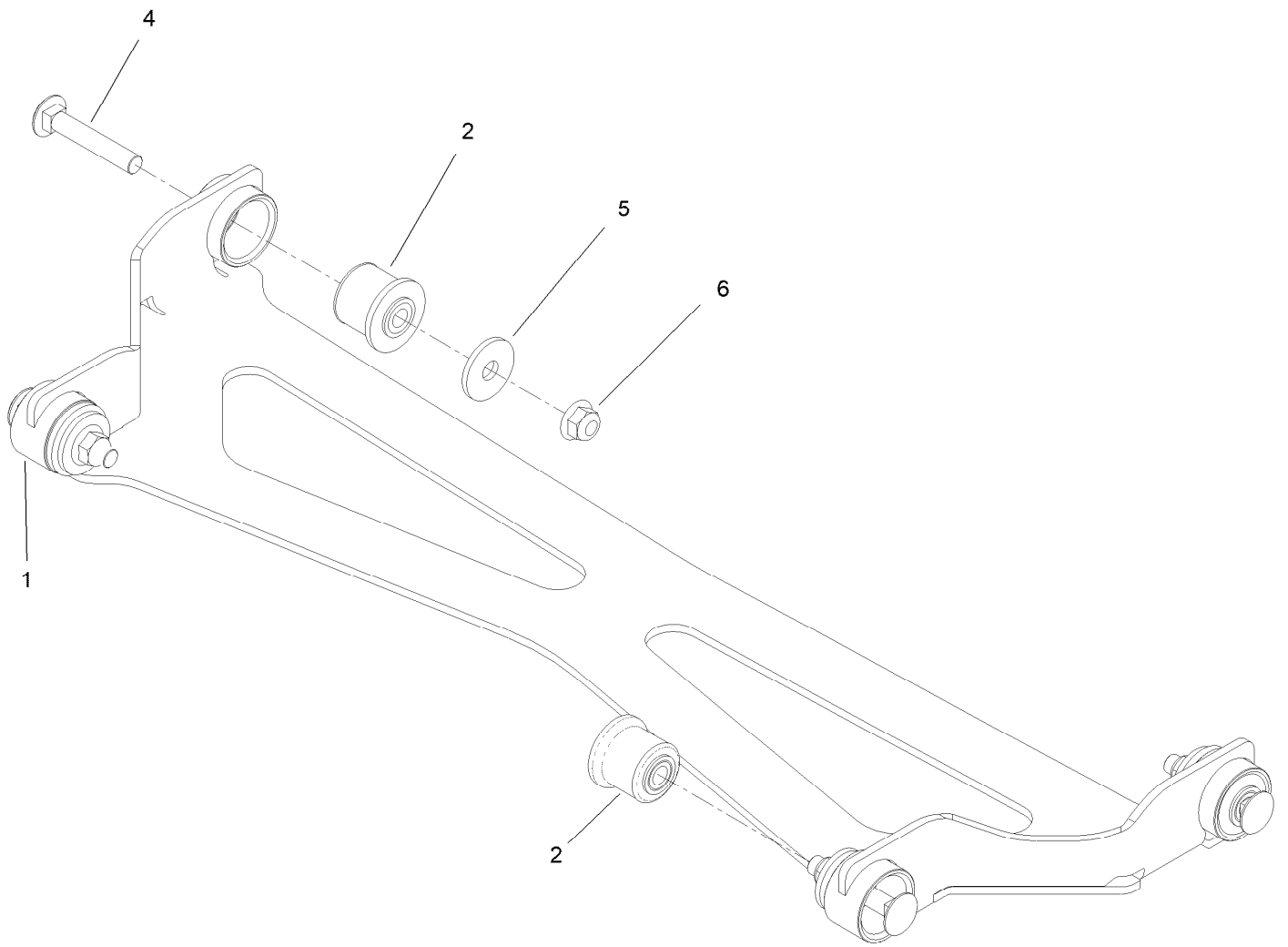
HOC Level Assembly No. 130-1755



HOC Level Assembly No. 130-1755 (continued)

<i>Ref.</i>	<i>Part Number</i>	<i>Qty.</i>	<i>Description</i>	<i>Ref.</i>	<i>Part Number</i>	<i>Qty.</i>	<i>Description</i>
1	130-1775-01	1	Lever-Lift	8	103-1363	4	Rivet
2	136-0530	1	Rod-Latch, Release	9	614672	1	Screw-Shoulder, HWH
3	114-8187	1	Spring-Compression	10	110-8982	1	Washer-Spring
4	114-1207	1	Washer-Special	11	104-7201	1	Nut-HF, NI
5	115-2750	1	Knob	12	104-8301	1	Nut-HF, NI
6	115-3592	1	Grip	13	138-4888	1	Latch-HOC
7	119-2309	1	Bolt-Shoulder	14	138-4863	1	Plug-Wear

Deck Strut Assembly No. 147-4557



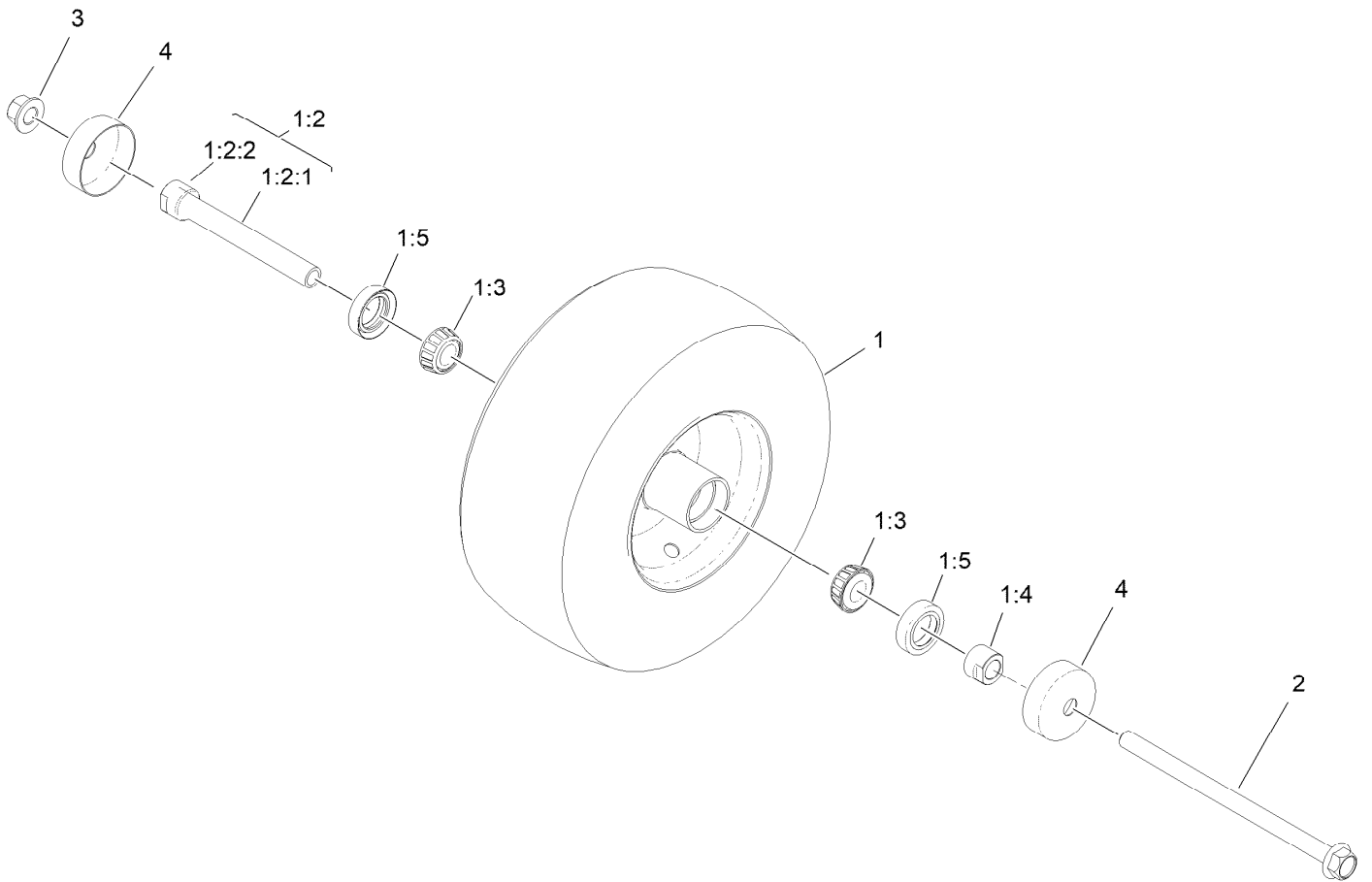
Deck Strut Assembly No. 147-4557 (continued)

<i>Ref.</i>	<i>Part Number</i>	<i>Qty.</i>	<i>Description</i>	<i>Ref.</i>	<i>Part Number</i>	<i>Qty.</i>	<i>Description</i>
1	147-4558-03	1	ASM-Deck Strut [black]	5	2844	4	Washer
2	147-7351	4	Spacer, Bushing ASM	6	104-8301	4	Nut-HF, NI
4	3231-7	4	Screw-CARR				

Frame Assembly (continued)

<i>Ref.</i>	<i>Part Number</i>	<i>Qty.</i>	<i>Description</i>	<i>Ref.</i>	<i>Part Number</i>	<i>Qty.</i>	<i>Description</i>
1	147-2432-01	1	Frame-60 [red]	22	104-7201	1	Nut-HF, NI
2	1-543509	4	Bearing-Roller, Tapered	23	147-4771-03	1	Bracket-Cross
3	116-5647	2	Seal-Grease	24	3234-42	4	Screw-HHF
4	142-9968-01	2	Caster-Fork [red]	25	139-5872	2	Bearing-Flange
5	1-633508	6	Washer-Bellville	26	116-2887	2	Gusset-Lift, Deck
6	3296-51	2	Nut-Lock, NI	27	3230-22	4	Screw-CARR
7	140-4896	2	Semi Pneumatic ASM 13X6.50-6	28	1-543963	3	Bumper-Rubber
8	144-0375	2	Cap, Grease	29	161-7909	1	ASM-Engine Guard [service]
9	1-811010	2	Plug	30	3230-10	2	Bolt-CARR
10	3230-2	6	Bolt-CARR	31	93-6079	2	Spacer-Nylon
11	3230-6	2	Bolt-CARR	32	1-513658	6	Bumper
13	145-5163	1	Tower Decal ASM	33	32180-030	1	Clip-Tie
13:2	147-7921	1	Decal-Oil Level	34	2412-39	1	Clamp-R
13:3	116-8775	1	Decal-Fill, Fuel	35	147-4764	1	Decal-Panel Control, Kawasaki
13:4	139-2878	1	Decal-Warning	36	133-4641	1	Decal-Warning, No Riders
13:5	131-3526	1	Decal-Controls	38	3290-271	2	Rivet-Pop
13:6	147-0212	1	Decal - Fuse	40	32144-70	2	Screw-HWHTF
14	161-1339-01	1	Guard-Fan	41	145-3595	4	Dome Panel Plug
15	120-7893	1	Bumper-Grommet	42	147-4805-01	1	Plate-Backing
16	145-1586-01	1	Tube-Fuel Tank Mount	43	104-7213	1	Decal
17	107-3844	2	Washer	44	3269-20	2	Rivet-Pop
18	104-8300	19	Nut-HF, NI	45	147-4825	1	Guide-Belt
19	105-4886	4	Nut-Tinnerman	47	142-5864	1	Decal-Spark Arrester
20	147-4952	1	Plate-Striker	48	132-0905	1	Decal-Shutdown, CE
21	3229-11	1	Screw-CARR	49	32144-14	1	Screw-HWHTF

Wheel and Bearing Assembly No. 140-4896



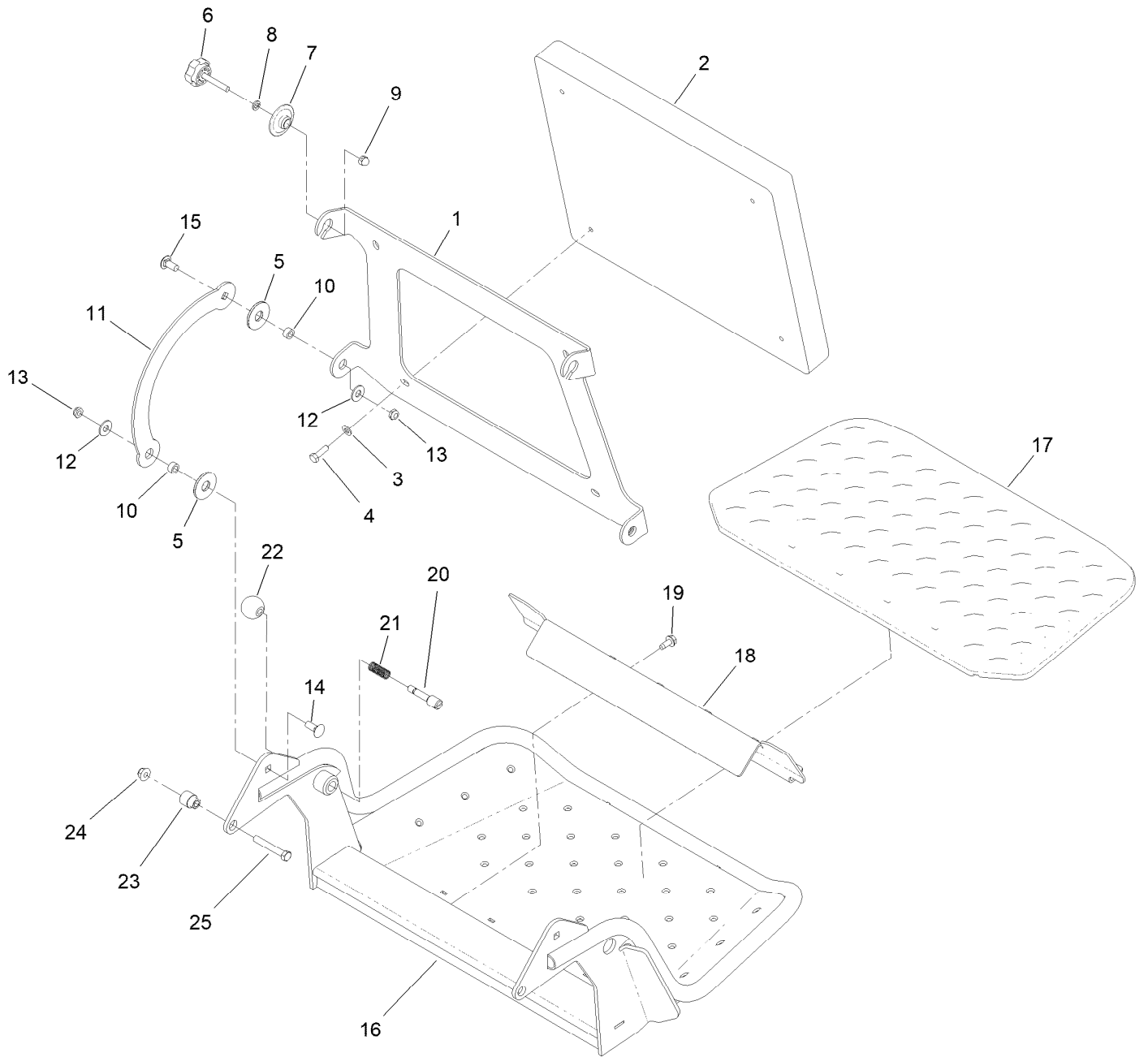
Wheel and Bearing Assembly No. 140-4896 (continued)

<i>Ref.</i>	<i>Part Number</i>	<i>Qty.</i>	<i>Description</i>
1		1	Wheel And Bearings ASM ●
1:2	126-7796	1	Caster Axle ASM
1:2:1	126-5220	1	Axle-Caster
1:2:2	103-3051	1	Spacer-Nut
1:3	1-633585	2	Bearing-Cone, Taper

<i>Ref.</i>	<i>Part Number</i>	<i>Qty.</i>	<i>Description</i>
1:4	103-3051	1	Spacer-Nut
1:5	103-0063	2	Seal-Caster
2	126-5389	1	Screw-HHF
3	99-5107	1	Nut-Lock
4	103-2768	2	Guard-Seal

● Not serviced separately

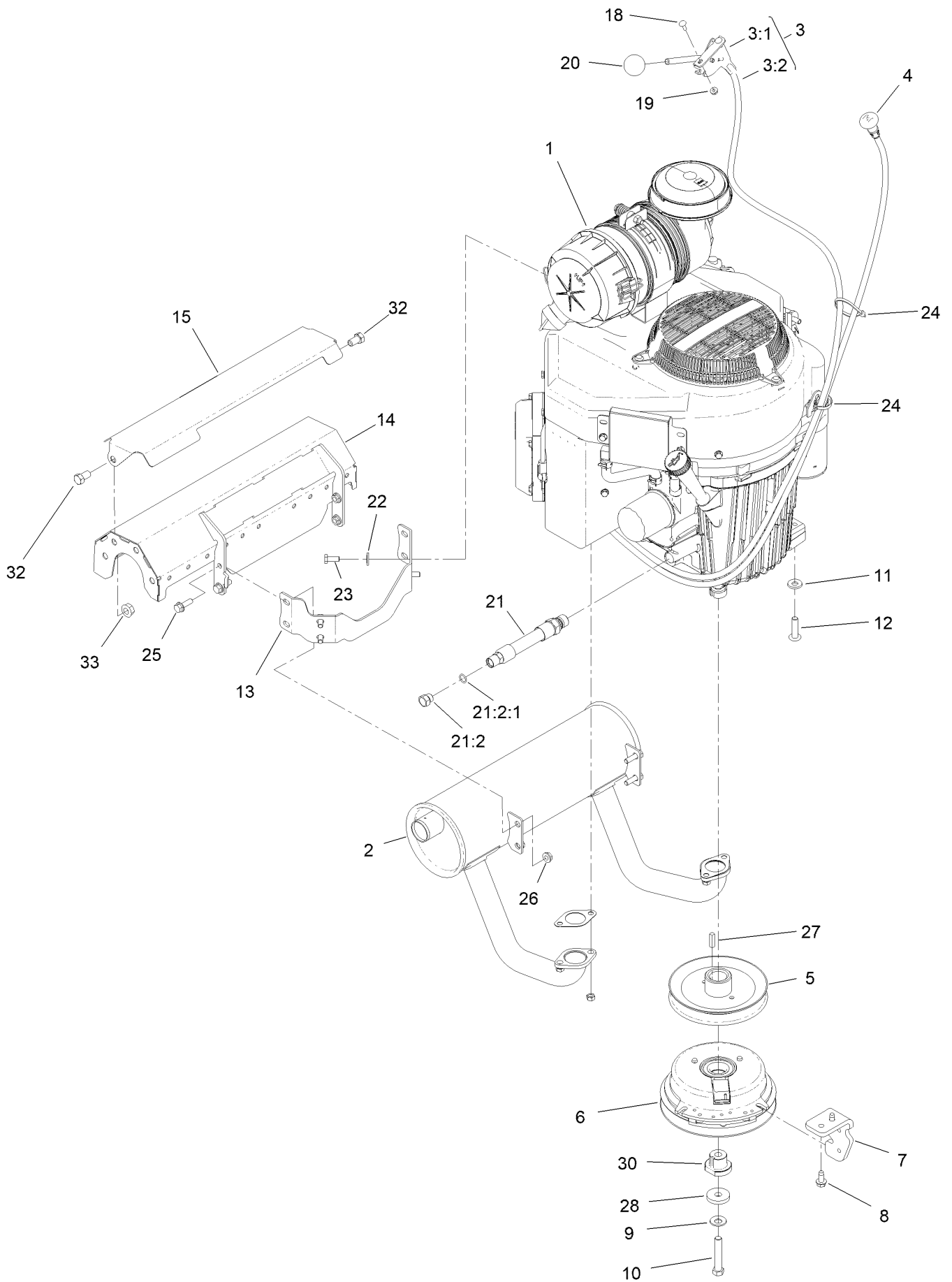
Platform Assembly



Platform Assembly (continued)

<i>Ref.</i>	<i>Part Number</i>	<i>Qty.</i>	<i>Description</i>	<i>Ref.</i>	<i>Part Number</i>	<i>Qty.</i>	<i>Description</i>
1	120-8499-03	1	Hinge-Pad	14	3231-2	2	Bolt-CARR
2	147-4839	1	Cushion-Pad	15	3231-27	2	Screw-CARR
3	3256-23	4	Washer-Plain	16	147-4809-01	1	Platform ASM [red]
4	121-7999	4	Screw-HH	17	126-7157	1	Mat-Platform
5	114-0463	4	Washer-Friction, Composite	18	3345-771	1	Shield Clamp Kit
6	133-1426	2	Knob	19	32144-70	2	Screw-HWHTF
7	116-2886	2	Slide-Bushing	20	119-8650	1	Pin-Latch
8	3253-4	2	Washer-Lock	21	114-5348	1	Spring
9	137-4808	2	Nut-Acorn	22	1-603175	1	Knob-Ball
10	111044	4	Spacer	23	132-7583	2	Bushing-Flanged
11	114-1915-01	2	Link-Pad	24	104-8301	2	Nut-HF, NI
12	3256-4	4	Washer-Flat	25	323-47	2	Screw-HH
13	3296-59	4	Nut-Lock, NI				

Engine Assembly



Engine Assembly (continued)

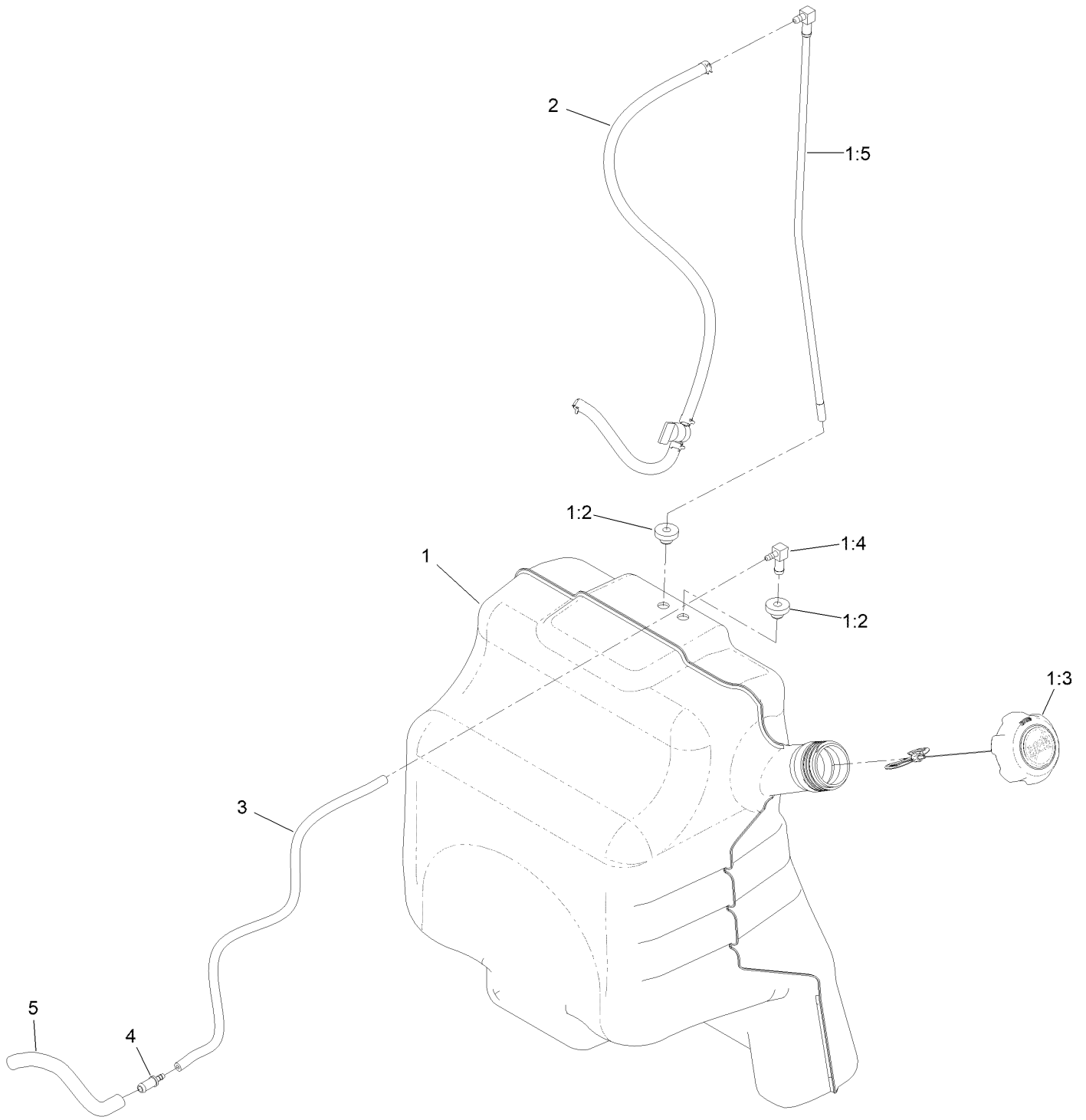
<i>Ref.</i>	<i>Part Number</i>	<i>Qty.</i>	<i>Description</i>	<i>Ref.</i>	<i>Part Number</i>	<i>Qty.</i>	<i>Description</i>
1		1	Engine Kawasaki Fx921V ■ ▲	12	126-0983	4	Screw-BHTF
1:1		1	Kawasaki 49065-7007	13	147-4556	1	Bracket-Muffler
			Engine Oil Filter ●■▲	14	147-4831	1	Muffler Guard ASM
1:2		1	Kawasaki 11013-7044	15	161-1305-03	1	Shield-Heat
			Engine Air Filter ●■▲	18	1-807533	2	Bolt-CARR
1:3		1	Kawasaki 11013-7045	19	32128-17	2	Nut-Lock, Flange
			Safety Filter ●■▲	20	1-603175	1	Knob-Ball
2	145-6192	1	Muffler, Kawi Fx921	21	133-4659	1	Hose ASM
3	145-1598	1	Throttle ASM	21:2	353-508	1	Plug-HH
3:1	145-6187	1	Lever-Control	21:2:1	237-42	1	O-Ring
3:2	145-5189	1	Cable-Throttle	22	1-303334	4	Washer-Spring
4	145-5188	1	Cable-Choke	23	33114-020	4	Screw-HH
5	145-6115	1	Pulley	24	3290-378	2	Tie-Cable
6	139-7910	1	Clutch-200Cms	25	3234-17	4	Screw-HHF
7	147-0345-03	1	Bracket, Clutch Stop	26	32128-20	4	Nut-HF
8	32144-70	2	Screw-HWHTF	27	1-807259	1	Key
9	1-603610	1	Washer-Spring	28	107-4136	1	Washer
10	3212-10	1	Screw-HH	30	147-4838	1	Spacer, D-Drive
11	98-5975	4	Washer-Belleville	32	324-2	2	Screw-HH
				33	32128-37	2	Nut-HF

● Not illustrated

▲ Obtain parts from www.kawpower.com

■ Not serviced separately

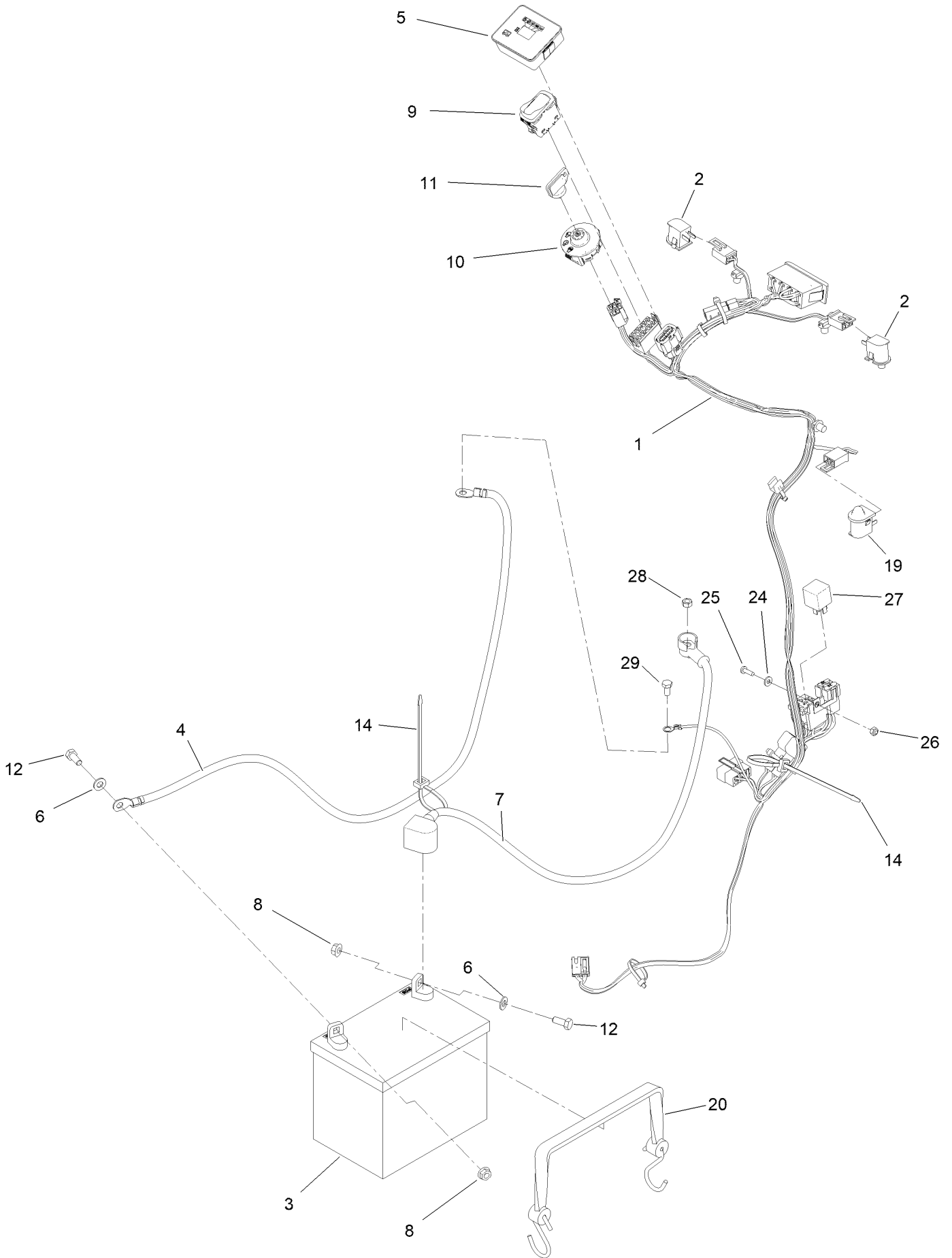
Fuel Tank Assembly



Fuel Tank Assembly (continued)

<i>Ref.</i>	<i>Part Number</i>	<i>Qty.</i>	<i>Description</i>	<i>Ref.</i>	<i>Part Number</i>	<i>Qty.</i>	<i>Description</i>
1	132-7560	1	Fuel Tank ASM	2	145-6123	1	Fuel Line ASM
1:2	46-6560	2	Bushing	3	110-8255	1	Hose-Fuel
1:3	137-4127	1	Cap-Fuel	4	98-2952	1	Fitting-Straight
1:4	104-5228	1	Fitting-Elbow, 90 DEG	5	132-7576	1	Hose-Fuel
1:5	145-6195	1	ASM, Tube-Fuel				

Electrical Assembly



Electrical Assembly (continued)

<i>Ref.</i>	<i>Part Number</i>	<i>Qty.</i>	<i>Description</i>	<i>Ref.</i>	<i>Part Number</i>	<i>Qty.</i>	<i>Description</i>
1	145-5228	1	Harness-Wire, Grandstand	12	322-3	2	Screw-HH
2	82-2190	2	Switch-Bail	14	3290-378	5	Tie-Cable
3	104-8162	1	Battery	19	133-4654	1	Switch-Plunger
4	147-4797	1	Battery-Cable, Bk ASM	20	139-2381	1	Strap-Rubber
5	140-1884	1	Module-Meter, Hour	24	3256-14	1	Washer-Flat
6	3256-23	2	Washer-Plain	25	3290-500	1	Screw-PPH
7	147-4794	1	Battery-Cable, Rd ASM	26	3296-2	1	Nut-Lock, NI
8	109-5715	2	Nut-HHF, Smooth	27	1-643275	1	Relay
9	139-6367	1	Switch-Rocker, (On)-On-Off	28	33014-00	1	Nut-Hex
10	137-4101	1	Switch-Ignition	29	33114-016	1	Screw-HH
11	63-8360	1	Key-Ignition				

Attachments and Accessories

For 72510 GrandStand HDX Mower With 60in TURBO FORCE Cutting Unit

Product Name	Model/Part
Hypr-Oil 500 (quart)	114-4713
Hypr-Oil 500 (gallon).....	114-4714
Hypr-Oil 500-5 (5 gallon).....	114-4715
Harness Wire Splitter	121-5988
Toro Premium Fuel Treatment 12oz Bottle	131-6572
Speed Setting Tool.....	132-7595
Chute Gate Kit W/ Bag.....	133-1434
Trash Bag Assembly	133-1435
Light Kit.....	133-1437
HOC Set Blocks	133-1439
Hydro Oil Change Kit	133-1457
Strobe Light Kit	133-1495
5 Gallon Bucket	133-2533
Hydraulic Cap Lock Kit.....	136-5420
Bucket Mount Kit.....	136-5681
Recycler Kit	139-6655
Blade-20.5 High Flow	140-1240
Blade-20.50 Atomic	140-1241
Blade-20.50 Medium Flow	140-4853
Blade-20.50, Low Flow	140-4854
Blade-20.50 Recycler	140-4855
6 Pack-Blade, 20.5 High Flow.....	140-4877
6 Pack-Blade, 20.5 Med Flow	140-4878
6 Pack-Blade, 20.5 Low Flow	140-4879
6 Pack-Blade, 20.5 Atomic.....	140-4880
6 Pack-Blade, 20.5 Recycler.....	140-4881
2 Transmission Filter Kit	144-3842
Spark Arrestor, 1.5in	146-0561
10W30 4-Cycle Engine Oil (32oz Bottle).....	38280
Toro 4-Cycle SAE 30 Oil (32oz Bottle)	38903

Notes:



Count on it.