



# Dingo<sup>®</sup> 420 TX

## Compact Utility Loader

Model No. 22306—230000001 and Up

## Parts Catalog

### Ordering Replacement Parts

To order replacement parts, please supply: the part number, the quantity, and the description of each part desired.

### Understanding Reference Numbers

Each identified part in an illustration has a reference number. The reference number for a part also appears in the parts list, along with other information about the part.

This catalog uses two special reference number formats, one to indicate parts in a service assembly and another to indicate the quantity of a given part in an illustration.

### Service Assembly Reference Numbers

Parts in service assemblies have reference numbers in the form **a:b**. The **a** represents the reference number of the entire service assembly and the **b** represents a sequential number unique to each part within the service assembly.

For example, a wheel assembly might be identified by reference number **6**, the tire by **6:1**, the valve by **6:2**, and the wheel by **6:3**. When you order the assembly identified by reference number **6**, you receive all parts identified by reference numbers **6:1**, **6:2**, and **6:3**. However, you may also order any part individually.

Reference numbers of this type appear in illustrations and in part lists.

### Reference Numbers Indicating Quantity

In an illustration, if a reference number indicates more than one part, the reference number has the form **nX y**. The **n** represents the quantity of the part, the **X** is the multiplication symbol, and the **y** represents the reference number.

For example, in an illustration, the reference number **2X 37** means that two of the parts identified by reference number **37** are indicated.

## Contents

Description	Page	Description	Page
Main Frame and Fuel Tank Assembly . . . . .	3	Quick Attach Assembly . . . . .	27
Track and Traction Assembly . . . . .	4	Electrical Assembly . . . . .	28
Brake Assembly . . . . .	5	Grill Assembly . . . . .	29
Loader Tower and Drive Assembly . . . . .	6	Hydraulic Cooler Assembly . . . . .	30
Traction Hydraulic Assembly . . . . .	7	Hood Assembly . . . . .	31
Hydraulic Wheel Motor Assembly No. 98-2767	9	Rear Access Panel Assembly . . . . .	32
Hydraulic Pump		Electrical Schematic . . . . .	33
Assembly No. 98-8432 and 98-8431 . . . . .	10	Hydraulic Schematic . . . . .	34
Engine Assembly . . . . .	11	Crankshaft (CH20S 64656 Kohler) . . . . .	35
Hydraulic Pump Assembly . . . . .	12	Crankcase (CH20S 64656 Kohler) . . . . .	36
Hydraulic Gear Pump Assembly No. 98-2752 .	14	Oil Pan/Lubrication (CH20S 64656 Kohler) . . . .	37
Control Panel Assembly . . . . .	15	Head/Valve/Breather (CH20S 64656 Kohler) . .	38
Traction Control Assembly . . . . .	17	Ignition/Electrical (CH20S 64656 Kohler) . . . .	39
Principal Hydraulic Assembly . . . . .	18	Blower Housing and Baffles	
Two Spool Valve Assembly No. 95-3536 . . . . .	20	(CH20S 64656 Kohler) . . . . .	40
One Spool Valve Assembly No. 104-2831 . . . .	21	Starting System (CH20S 64656 Kohler) . . . . .	41
Loader Arm Assembly . . . . .	22	Fuel System (CH20S 64656 Kohler) . . . . .	42
Loader Arm Hydraulic Assembly . . . . .	23	Engine Control (CH20S 64656 Kohler) . . . . .	43
Hydraulic Cylinder Assembly No. 99-6162 . . . .	25	Air Intake/Filtration (CH20S 64656 Kohler) . . . .	44
Hydraulic Cylinder Assembly No. 95-3578 . . . .	26	Exhaust (CH20S 64656 Kohler) . . . . .	45

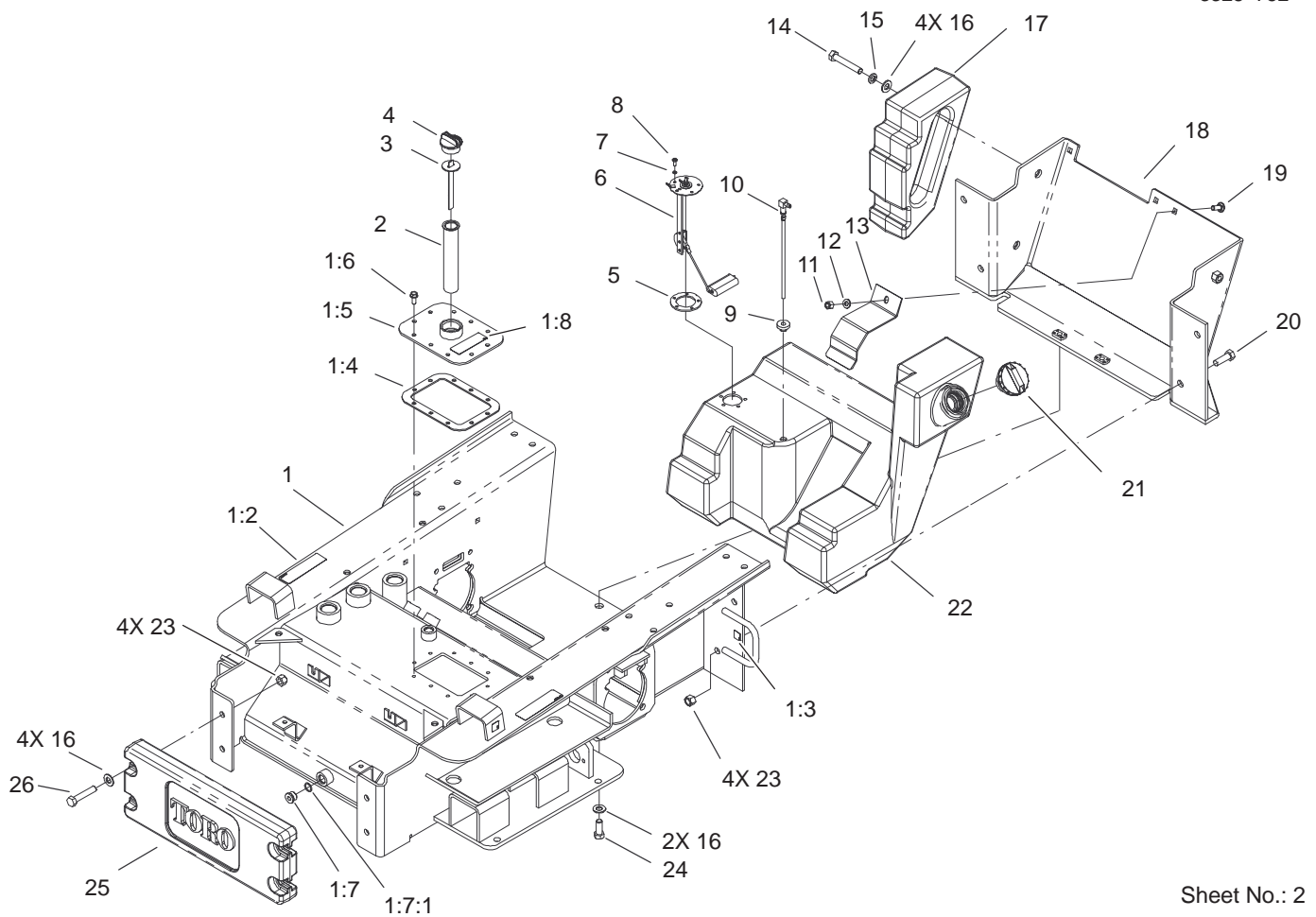
## Accessories

Description	Model / Part No.	Description	Model / Part No.
Dingo TX Heat Shield Kit . . . . .	104-9997	Dingo TX CE Kit . . . . .	22350

## Part Description Abbreviations

Part descriptions in this catalog may include the following abbreviations.

Abbreviation	Meaning	Abbreviation	Meaning
AR . . . . .	as required	HYD . . . . .	hydraulic
ASM . . . . .	assembly	INC . . . . .	incorporated
CARR . . . . .	carriage	LH . . . . .	left hand
DEG . . . . .	degrees	NI . . . . .	nylon insert
FH . . . . .	flat head	PPH . . . . .	Phillips pan head
GA . . . . .	gauge	PTH . . . . .	Phillips truss head
HF . . . . .	hex flange	PTO . . . . .	power take off
HH . . . . .	hex head	RH . . . . .	right hand
HHF . . . . .	hex head flange	SFH . . . . .	slotted fillister head
HLH . . . . .	hex lag head	SHH . . . . .	slotted hex head
HJ . . . . .	hex jam	SQH . . . . .	square head
HOC . . . . .	height-of-cut	SHWH . . . . .	slotted hex washer head
HS . . . . .	hex socket	SPH . . . . .	slotted pan head
HSBH . . . . .	hex socket button head	SRH . . . . .	slotted round head
HSFH . . . . .	hex socket flat head	STD . . . . .	standard
HSH . . . . .	hex socket head	TAP . . . . .	self tapping
HWH . . . . .	hex washer head	TTH . . . . .	Torx truss head
HWHTF . . . . .	hex washer head thread forming	WH . . . . .	wing head

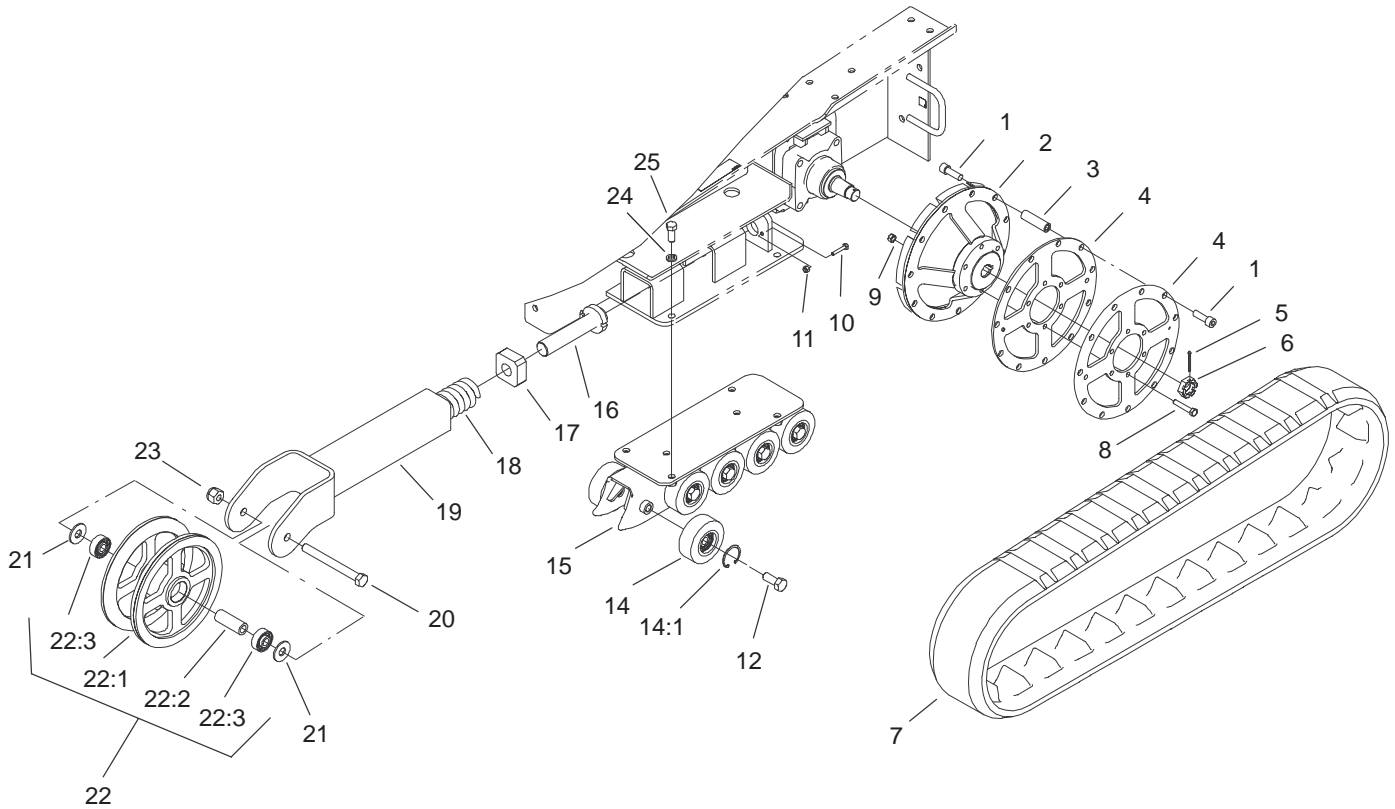


Sheet No.: 2

## Main Frame and Fuel Tank Assembly

Ref. No.	Part No.	Qty.	Description
1	105-5830	1	Chassis ASM
1:2	100-6141	2	Decal-Pinch
1:3	93-9084	4	Decal-Point, Lift
1:4	100-1253	1	Gasket-Cover, Access
1:5	104-8389-01	1	Tank Cover ASM
1:6	98-9940	10	Screw
1:7	353-988	2	Plug-Hex, Hollow
1:7:1	237-79	1	O-Ring
1:8	105-8432	1	Decal-Oil, Hydraulic
2	61-2790	1	Filter-Screen
3	100-2097	1	Dipstick-Oil
4	93-7498	1	Plug-Plastic
5	113372	1	Gasket-Sender, Fuel
6	100-1298	1	Sender-Fuel
7	3253-17	5	Washer-Lock/Sp
8	3250-31	5	Screw-PPH
9	46-6560	1	Bushing
10	98-0185	1	Pipe Stand ASM
11	3296-39	1	Nut-Lock, NI
12	3256-38	1	Washer-Flat
13	100-1257-03	1	Clamp-Tank, Fuel
14	325-12	4	Screw-HH
15	3253-7	4	Washer-Lock
16	3256-26	10	Washer-Flat
17	99-6165-01	2	Counterweight-Rear

Ref. No.	Part No.	Qty.	Description
18	105-0373-01	1	Rear Frame Cover ASM
19	3231-22	1	Screw-CARR
20	325-6	4	Screw-HH
21	93-3101	1	Cap-Fuel
22	95-3619	1	Tank-Fuel
23	3296-23	8	Nut-Lock, NI
24	325-5	2	Screw-HH
25	99-6166-01	1	Counterweight-Front
26	325-10	4	Screw-HH

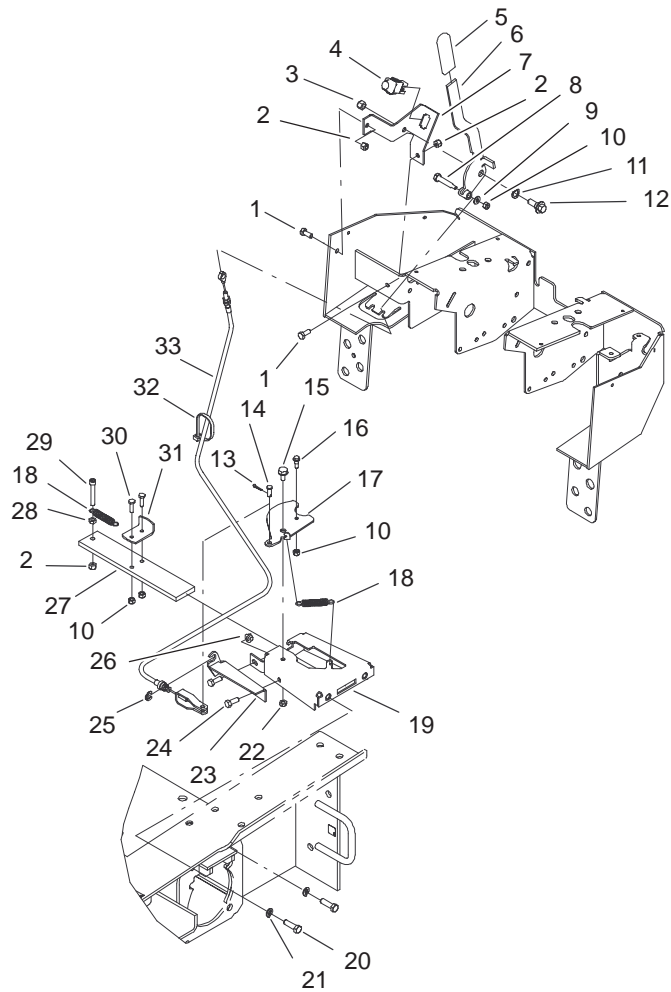


Sheet No.: 3

## Track and Traction Assembly

Ref. No.	Part No.	Qty.	Description
1	3274-4	44	Screw-HSH
2	106-7600-03	2	Drive Wheel ASM
3	100-1286	22	Spacer-Wheel, Drive
4	99-6159-03	4	Plate-Wheel, Drive
5	3272-12	2	Pin-Cotter
6	99-3139	2	Nut
7	98-9800	2	Track
8	323-10	12	Screw-HH
9	32153-2	12	Nut-Lock
10	321-13	2	Screw-HH
11	3296-42	2	Nut-Lock, NI
12	327-4	20	Screw-HH
14	99-6154	20	Bogey Wheel ASM
14:1	32120-62	1	Ring-Retaining
15	105-5803-03	2	Track Guide ASM
16	98-9846	2	Bolt-Tensioner
17	95-3626	2	Block-Tensioning
18	95-3624	2	Spring-Compression
19	98-9801-03	2	Tensioner Arm ASM
20	327-17	2	Screw-HH
21	3256-7	4	Washer-Flat
22	104-5745	2	Tensioner Wheel ASM
22:1	104-5747-03	1	Wheel-Tensioner
22:2	98-9835	1	Spacer-Wheel, Tensioner
22:3	93-4237	2	Bearing

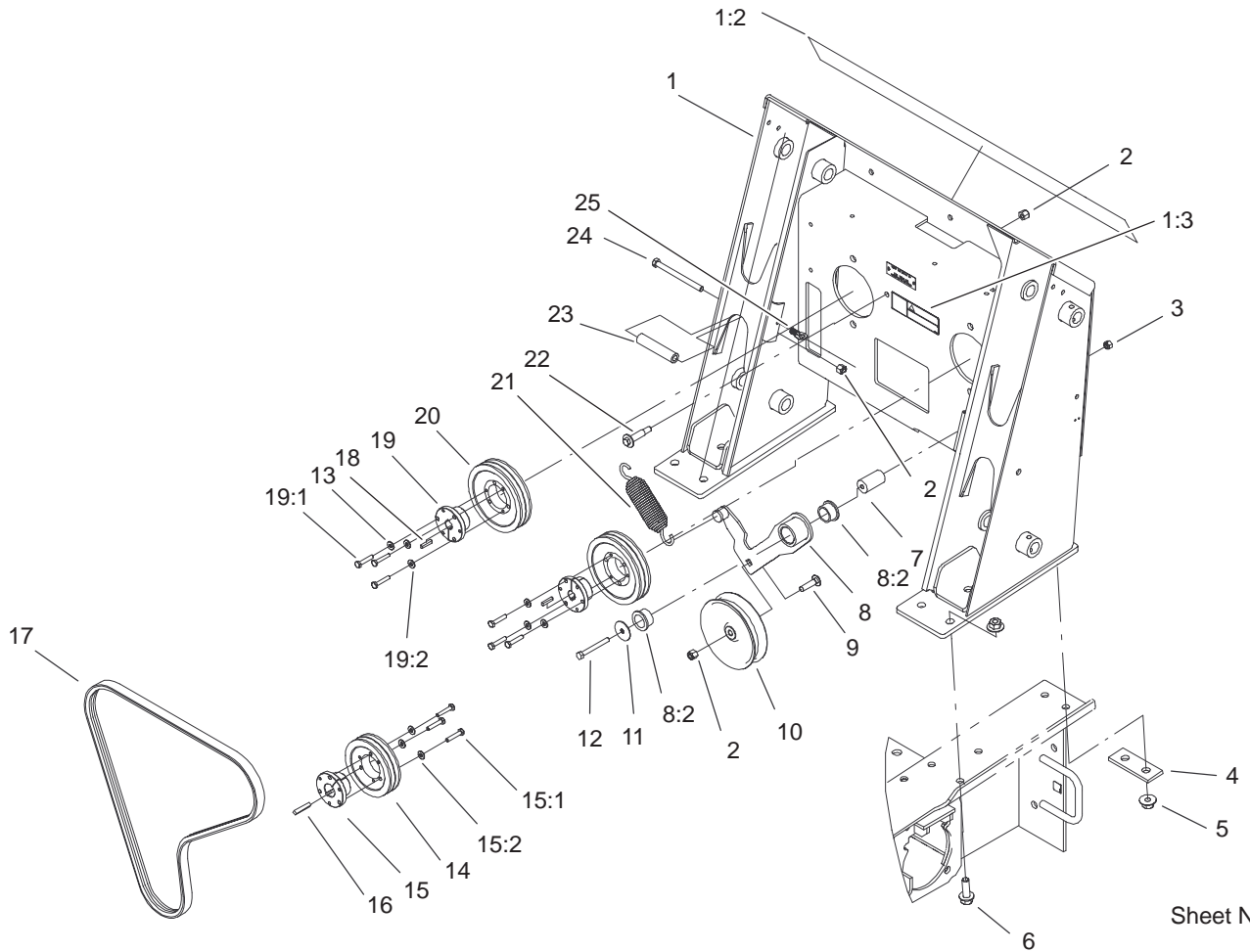
Ref. No.	Part No.	Qty.	Description
23	3296-24	2	Nut-Lock NI
24	3253-7	8	Washer-Lock
25	325-5	8	Screw-HH



Sheet No.: 5

## Brake Assembly

Ref. No.	Part No.	Qty.	Description	Ref. No.	Part No.	Qty.	Description
1	322-3	2	Screw-HH	26	32128-20	4	Nut-HF
2	3296-29	4	Nut-Lock, NI	27	106-7550-03	2	Plate-Brake
3	3296-6	1	Nut-Lock, NI	28	3218-2	2	Nut-Jam
4	100-1268	1	Switch-Plunger, Snap Mount	29	3274-86	2	Screw-HSH
5	62-9130	1	Grip-Handle	30	321-5	4	Screw-HH
6	99-6151-03	1	Brake Lever ASM	31	98-8448	2	Stop-Brake
7	105-5809-03	1	Bracket-Switch	32	3290-378	2	Tie-Cable
8	611792	1	Bolt-Shoulder	33	100-1283	2	Cable-Brake
9	3256-22	1	Washer-Flat				
10	3296-42	7	Nut-Lock, NI				
11	3290-221	1	Washer-Spring				
12	93-2364	1	Bolt-Shoulder				
13	3272-9	2	Pin-Cotter				
14	283-62	2	Pin-Clevis				
15	37-8771	2	Bolt-Shoulder				
16	42-3560	2	Bolt-Shoulder				
17	98-8443	2	Lever-Brake				
18	87-4020	4	Spring-Extension				
19	100-4200-03	2	Brake Housing ASM				
20	3274-1	4	Screw-HSH				
21	3253-5	4	Washer-Lock				
22	3296-47	2	Nut-Lock, NI				
23	98-8446-03	2	Bracket-Cable, Brake				
24	322-4	4	Screw-HH				
25	32151-43	2	Klipring				

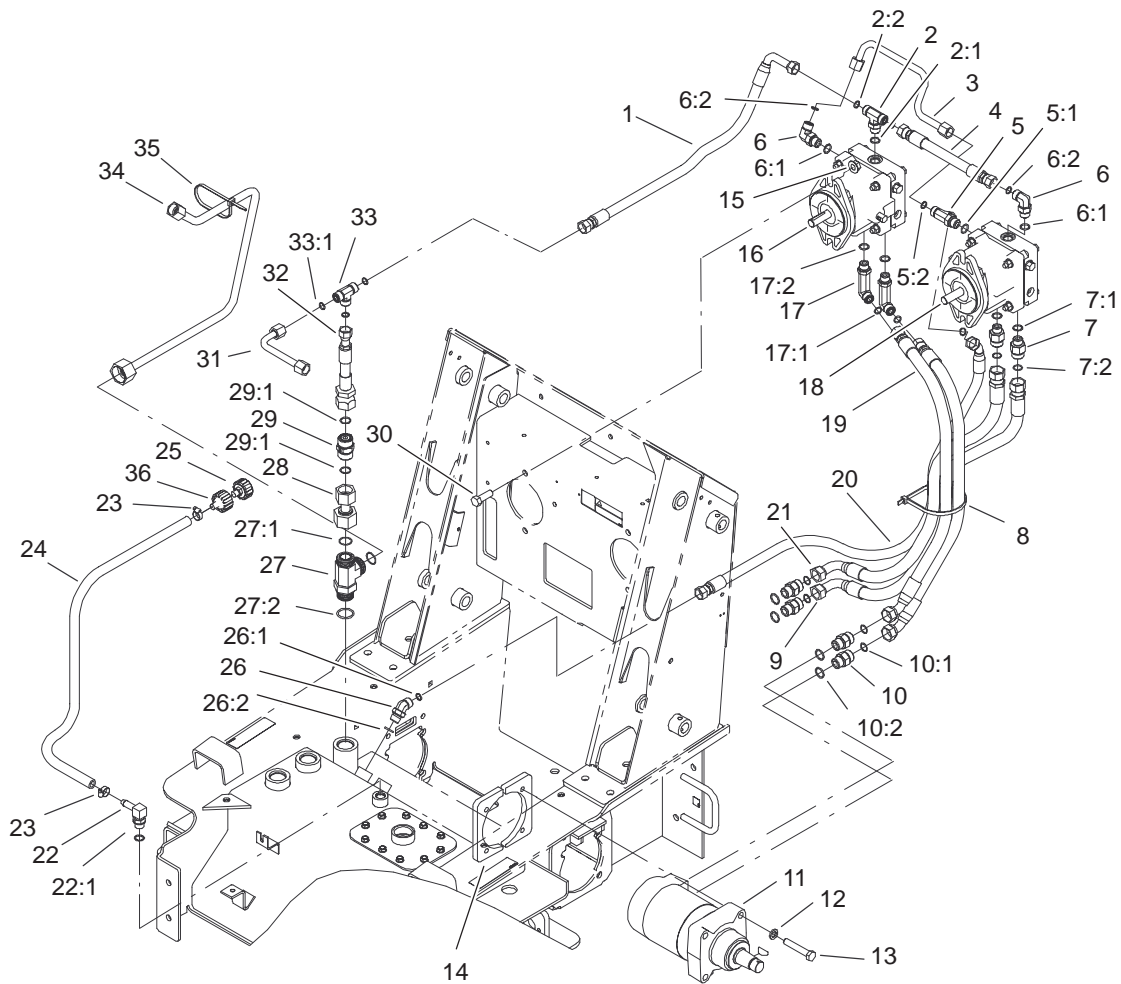


Sheet No.: 6

## Loader Tower and Drive Assembly

Ref. No.	Part No.	Qty.	Description
1	104-2843	1	Loader Tower ASM
1:2	104-2842	1	Decal-Panel
1:3	80-8040	1	Decal-Warning
2	3296-39	4	Nut-Lock, NI
3	3296-29	1	Nut-Lock, NI
4	100-6123-01	2	Plate-Stiffener
5	32128-52	10	Locknut-Flange
6	100-6116	10	Screw-HHF
7	104-5739	1	Spacer-Mounting
8	99-6167	1	Idler Arm ASM
8:2	256-132	2	Bushing-Flange
9	3231-26	1	Screw-CARR
10	95-3707	1	Pulley-Idler
11	3256-68	1	Washer-Flat
12	322-13	1	Screw-HH
13	3256-22	9	Washer-Flat
14	61-3330	1	Pulley
15	61-3340	1	Bushing
15:1	100-4208	3	Screw-HH
15:2	100-4209	3	Washer-Lock/Sp
16	67-7490	1	Key
17	95-3611	1	V-Belt
18	80-6090	2	Key-Pump
19	100-4206	2	Bushing
19:1	100-4208	3	Screw-HH
19:2	100-4209	3	Washer-Lock/Sp

Ref. No.	Part No.	Qty.	Description
20	100-4207	2	Sheave
21	105-0383	1	Spring-Extension
22	56-6590	1	Bolt-Wheel
23	100-1271	2	Tube-Spacer
24	323-23	2	Screw-HH
25	95-4013	2	Latch ASM



Sheet No.: 7

## Traction Hydraulic Assembly

Ref. No.	Part No.	Qty.	Description
1	100-6130	1	HYD Hose ASM
2	340-157	1	Fitting-HYD
2:1	237-79	1	O-Ring
2:2	237-30	2	O-Ring
3	98-0200	1	HYD Tube ASM
4	95-3664	1	HYD Hose ASM
5	340-109	1	Fitting-HYD, Tee
5:1	237-79	1	O-Ring
5:2	237-30	2	O-Ring
6	340-98	2	Fitting-HYD, 90°
6:1	237-79	1	O-Ring
6:2	237-30	1	O-Ring
7	340-155	2	Fitting-HYD
7:1	237-79	1	O-Ring
7:2	237-151	1	O-Ring
8	3334-945	1	Tie-Cable
9	98-0235	1	HYD Hose ASM
10	340-7	4	Adapter
10:1	237-65	1	O-Ring
10:2	237-80	1	O-Ring
11	98-2767	2	Motor-Wheel, HYD
12	3253-7	8	Washer-Lock
13	325-11	8	Screw-HH
14	98-2763-03	4	Plate-Mounting, Wheelmotor
15	32128-23	4	Nut-HF

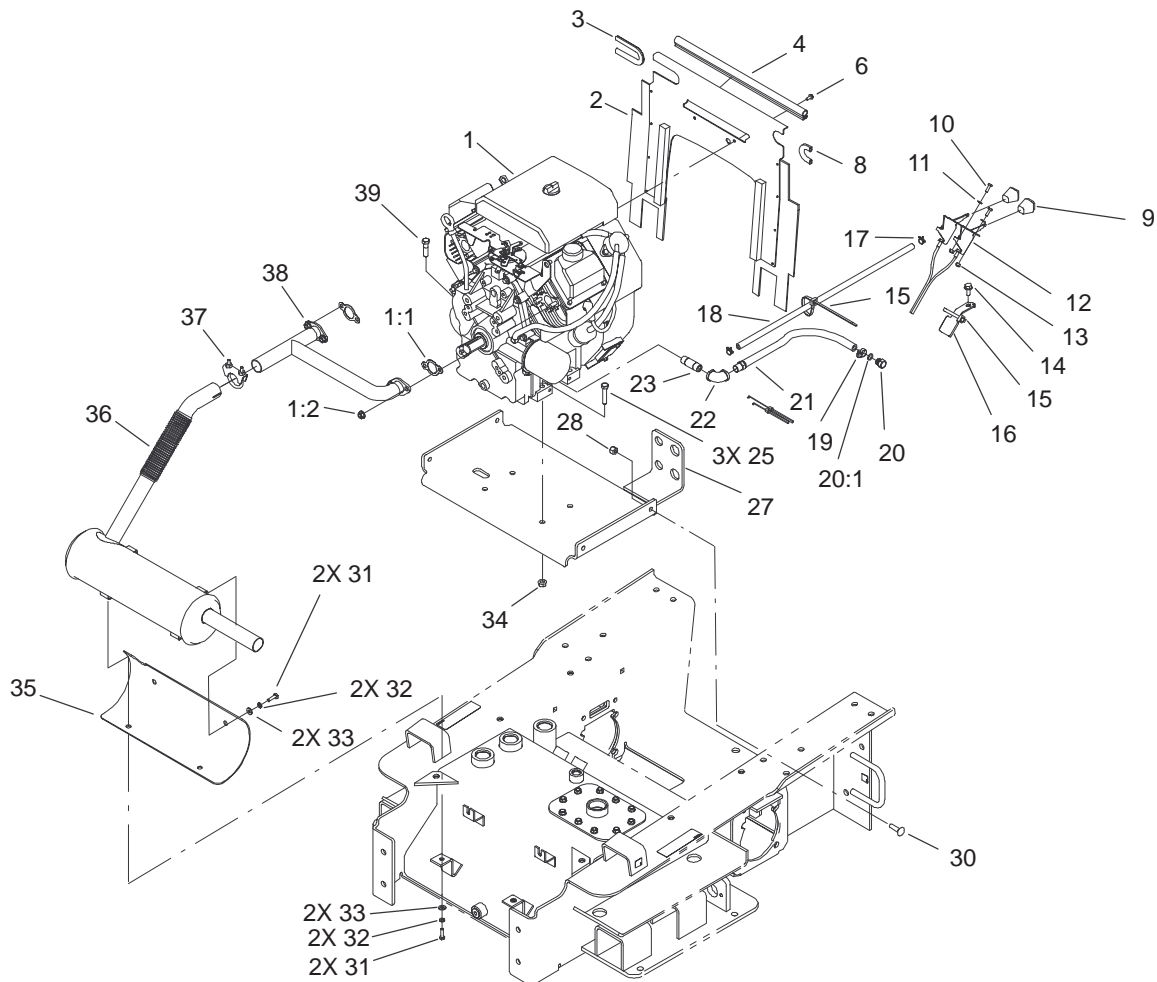
Ref. No.	Part No.	Qty.	Description
16	98-8431	1	Pump-HYD, RH
17	99-6160	2	Fitting-Elbow, 90°
17:1	237-30	1	O-Ring
17:2	237-79	1	O-Ring
18	98-8432	1	Pump-HYD, LH
19	98-0233	2	HYD Hose ASM
20	98-0201	1	HYD Hose ASM
21	98-0177	1	HYD Hose ASM
22	354-120	1	Fitting-HYD, 90°
22:1	237-79	1	O-Ring
23	2412-36	2	Clamp-Hose
24	98-2708	1	Hose-Vent
25	68-6150	1	Breather-Air
26	340-101	1	Fitting-HYD, 90°
26:1	237-30	1	O-Ring
26:2	237-79	1	O-Ring
27	104-3795	1	Fitting-Tee, HYD
27:1	340-65	2	O-Ring
27:2	237-146	1	O-Ring
28	105-0226	1	HYD Tube ASM
29	99-6161	1	Valve-Check, HYD
29:1	237-58	2	O-Ring
30	325-6	4	Screw-HH
31	95-3517	1	HYD Tube ASM
32	105-0225	1	HYD Hose ASM
33	340-102	1	Adapter









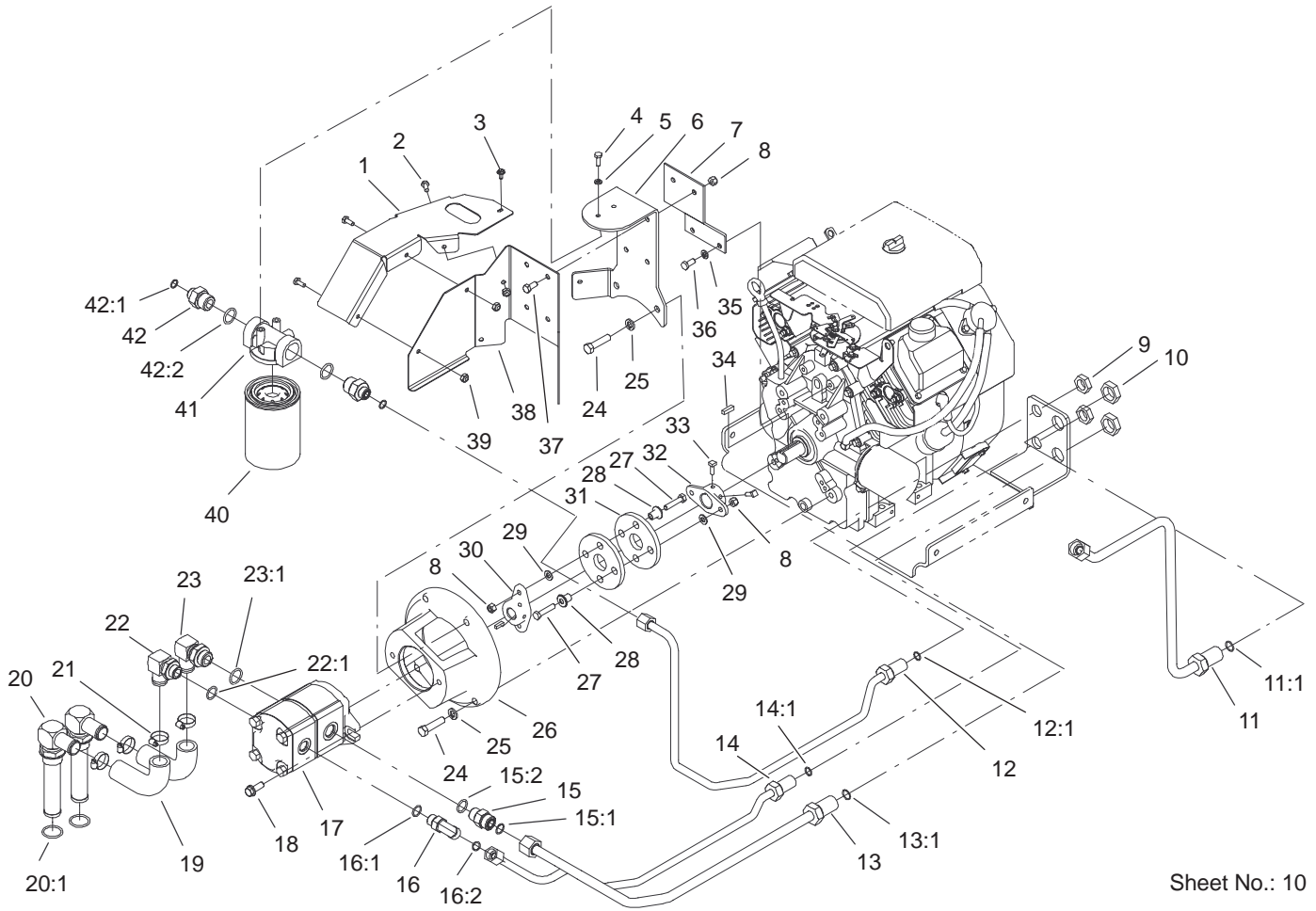


Sheet No.: 8

## Engine Assembly

Ref. No.	Part No.	Qty.	Description	Ref. No.	Part No.	Qty.	Description
☆1		1	Engine-Kohler, Ch20s-64656	27	99-6175-03	1	Engine Mounting Plate ASM
1:1	93-0350	2	Gasket-Exhaust	28	3296-39	4	Nut-Lock, NI
1:2	92-6780	4	Nut-HF	30	3231-28	4	Screw-CARR
2	105-5800	1	Engine Baffle ASM	31	321-5	4	Screw-HH
3	105-0378	1	Seal-Strip, 6.5"	32	3253-3	4	Washer-Lock
4	105-5801	1	Strip-Seal, 16"	33	3256-22	4	Washer-Flat
6	27-0220	2	Screw-Special	34	32128-21	4	Nut-HF
8	105-0377	1	Seal-Strip, 3"	35	98-2762	1	Shield-Heat, Muffler
9	66-0120	2	Knob	36	105-0249	1	Muffler-Exhaust
10	3290-134	4	Screw	37	2112-11	1	Clamp-Muffler
11	3256-21	4	Washer-Flat	38	98-2761	1	Manifold-Crossover
12	99-6173	2	Cable-Throttle	39	323-8	1	Screw-HH
13	3296-2	4	Nut-Lock				
14	32144-70	1	Screw-HH				
15	3290-378	2	Tie-Cable				
16	100-1299-03	1	Guide-Cable				
17	2412-98	2	Clamp				
18	105-0376	1	Hose-Fuel				
19	2412-119	1	Clamp-Worm				
20	353-508	1	Plug				
20:1	237-42	1	O-Ring				
21	100-1256	1	Oil Hose ASM				
22	94-9650	1	Elbow-90°				
23	289-42	1	Nipple				
25	323-9	3	Screw-HH				

☆ Not serviced separately



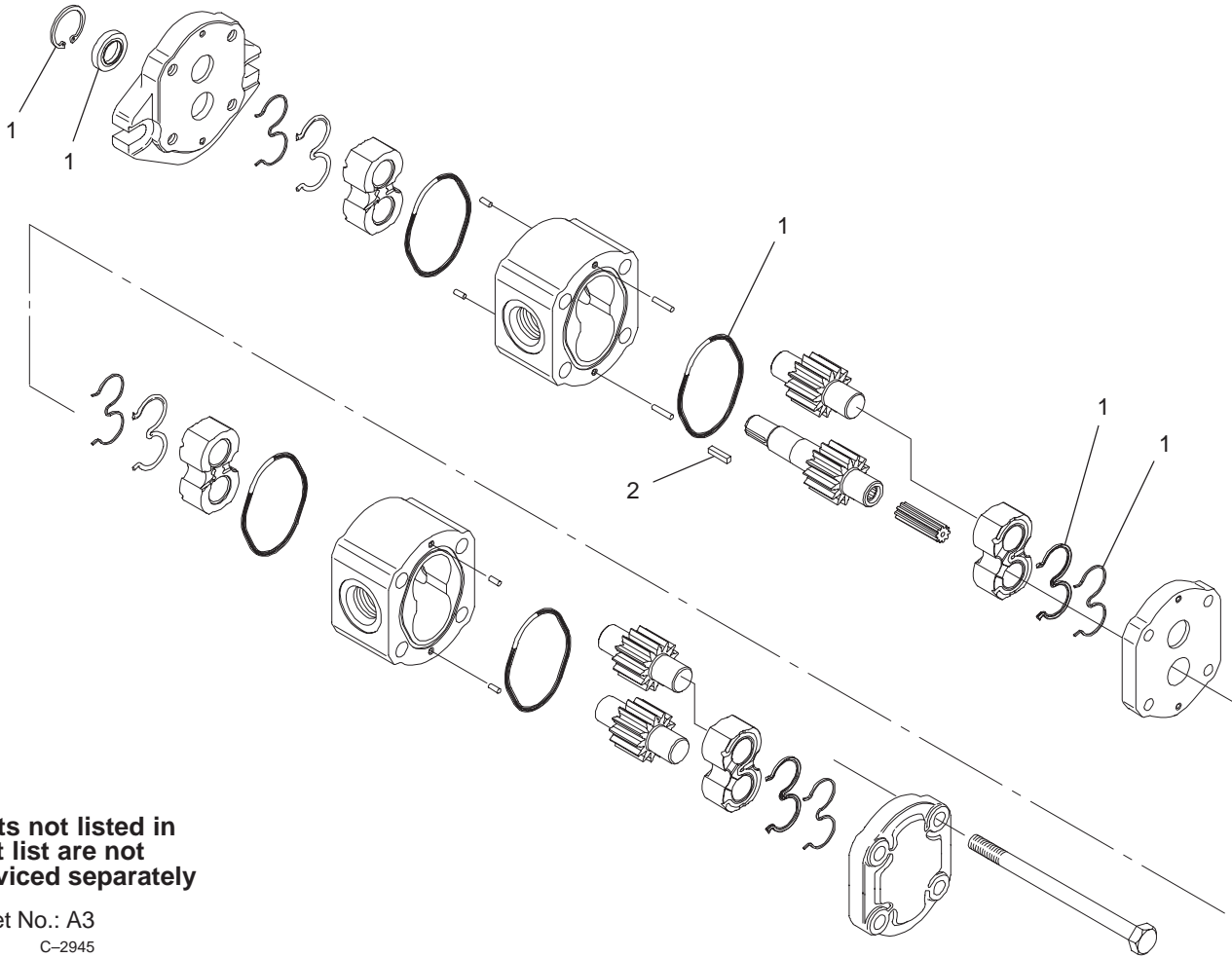
Sheet No.: 10

## Hydraulic Pump Assembly

Ref. No.	Part No.	Qty.	Description
1	104-9960	1	Shield-Heat
2	321-39	4	Screw-HH
3	12-5450	1	Screw
4	321-4	2	Screw-HH
5	3253-3	2	Washer-Lock
6	99-6172-03	1	Bracket-Support, Oil Filter
7	99-6171-03	1	Bracket-Support, Oil Filter
8	3296-29	8	Nut-Lock, NI
9	340-127	2	Nut-Bulkhead
10	340-74	2	Locknut-Bulkhead
11	104-5705	1	HYD Tube ASM
11:1	237-65	1	O-Ring
12	98-2780	1	HYD Tube ASM
12:1	237-30	1	O-Ring
13	98-2783	1	HYD Tube ASM
13:1	237-65	1	O-Ring
14	98-2781	1	HYD Tube ASM
14:1	237-30	1	O-Ring
15	340-7	1	Adapter
15:1	237-65	1	O-Ring
15:2	237-80	1	O-Ring
16	340-98	1	Fitting-HYD, 90°
16:1	237-79	1	O-Ring
16:2	237-30	1	O-Ring

Ref. No.	Part No.	Qty.	Description
17	98-2752	1	Pump-Gear, HYD
18	66-9300	2	Screw-HF
19	105-0201	2	Hose-Suction, Formed
20	105-0204	2	Strainer Fitting ASM
20:1	237-146	1	O-Ring
21	2412-34	4	Clamp-Hose
22	61-2710	1	Stem-Hose, 90°
22:1	237-117	1	O-Ring
23	100-4202	1	Fitting-90°
23:1	237-81	1	O-Ring
24	324-7	4	Screw-HH
25	3253-6	4	Washer-Lock
26	98-2751	1	Mount-Pump
27	322-7	4	Screw-HH
28	71-4411	4	Spacer
29	3256-23	4	Washer-Flat
30	49-9600	1	Hub-Pump
31	44-2230	2	Coupling-Rubber
32	27-1960	1	Hub-Engine
33	3241-6	4	Screw-SQH
34	10-7070	1	Key-Square
35	3253-4	2	Washer-Lock
36	33114-020	2	Screw-HH
37	322-3	4	Screw-HH
38	100-6114	1	Shield-Heat, Filter





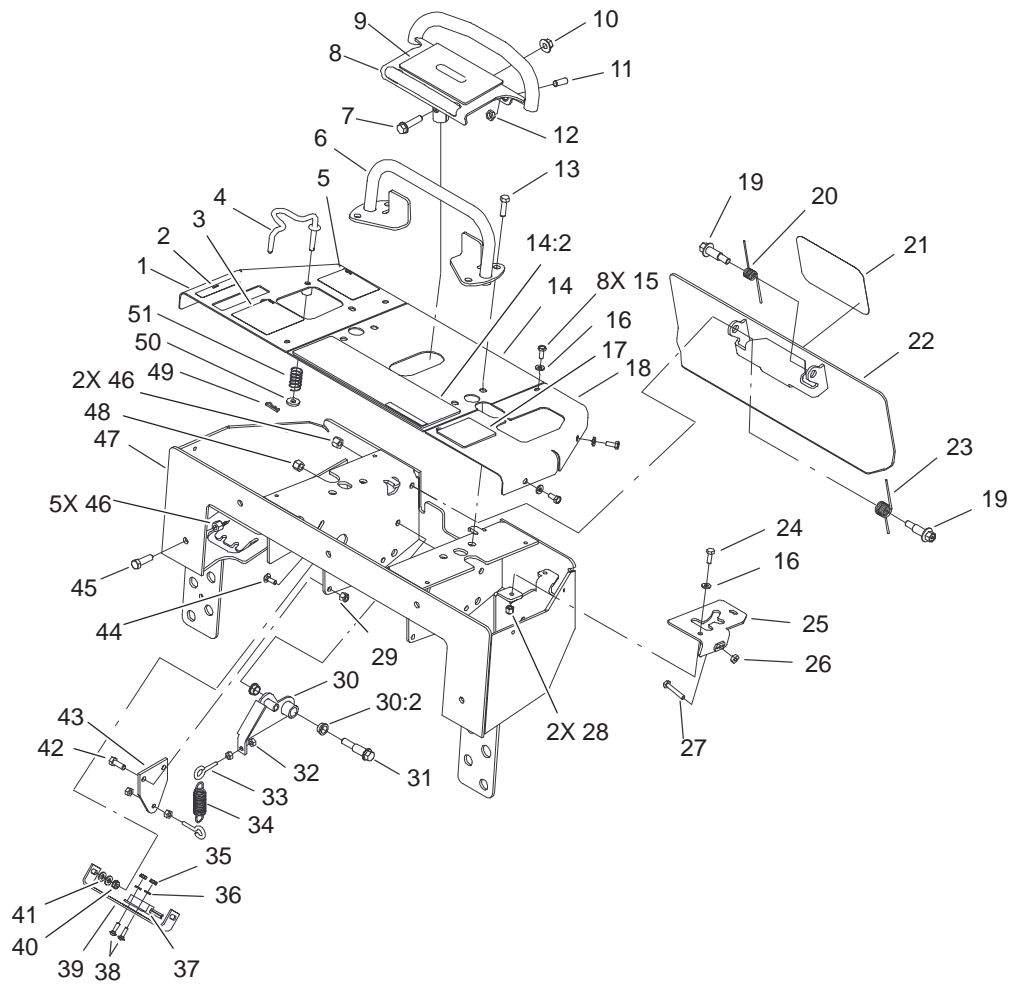
Parts not listed in  
part list are not  
serviced separately

Sheet No.: A3  
C-2945

## Hydraulic Gear Pump Assembly No. 98-2752

Ref. No.	Part No.	Qty.	Description
1	100-4237	1	Pump Seal Kit
2	100-4238	1	Key-Square

Ref. No.	Part No.	Qty.	Description



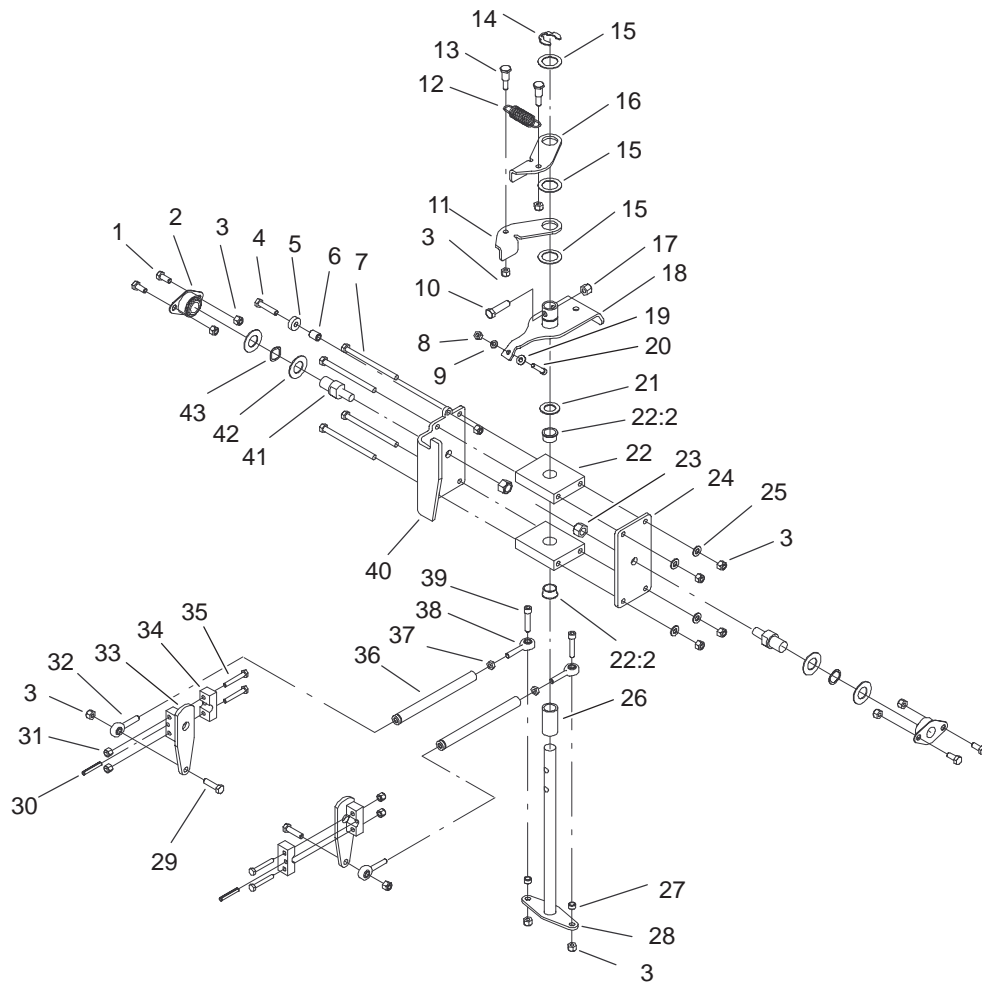
Sheet No.: 11

## Control Panel Assembly

Ref. No.	Part No.	Qty.	Description	Ref. No.	Part No.	Qty.	Description
1	105-5824-01	1	RH Panel ASM	26	3218-1	1	Nut-Jam
2	104-2838	1	Decal-Brake	27	321-9	1	Screw-HH
3	104-2837	1	Decal-Loader	28	3296-8	2	Nut-Lock, NI
4	104-2833	1	Rod-Interlock	29	3296-29	2	Nut-Lock, NI
5	104-2844	1	Decal-Interlock	30	100-4203	1	Neutral Centering Lever ASM
6	98-8400-03	1	Reference Bar ASM	30:2	256-156	2	Bushing-Flange
7	3234-18	1	Screw-HHF	31	66-0560	1	Bolt-Shoulder
8	104-9970-03	1	Control Handle ASM	32	3217-5	4	Nut-Hex
9	100-6138	1	Decal-Traction	33	71-2870	2	Bolt-Eye
10	32128-43	1	Nut-Flange	34	105-1210	1	Spring-Extension
11	3247-6	2	Screw-Set	35	32149-7	2	Nut-Keps
12	3218-3	2	Nut-Jam	36	3256-51	2	Washer-Flat
13	322-16	4	Screw-HH	37	100-1270	1	Switch-Proximity
14	100-6144	1	Center Panel ASM	38	3229-20	2	Screw-CARR
14:2	100-6140	1	Decal-Danger	39	100-1263	1	Plate-Switch
15	32144-44	8	Screw-HWH	40	32149-2	2	Nut
16	3256-16	2	Washer-Flat	41	3256-22	4	Washer-Flat
17	100-6136	1	Decal-Auxiliary	42	322-4	2	Screw-HH
18	98-8428-01	1	Panel-LH	43	100-1261-03	1	Bracket-Spring
19	62-1330	2	Bolt-Shoulder	44	3229-1	2	Screw-CARR
20	98-8424	1	Spring-Torsion, RH	45	323-7	5	Screw-HH
21	105-1217	1	Decal-Toro	46	3296-39	7	Nut-Lock, NI
22	98-8417-03	1	Reverse Plate ASM	47	95-3540-01	1	Control Panel ASM
23	98-8425	1	Spring-Torsion, LH	48	3296-6	1	Nut-Lock, NI
24	321-4	2	Screw-HH	49	3290-307	1	Pin-Hair
25	100-6126-01	1	Auxiliary Stop ASM				



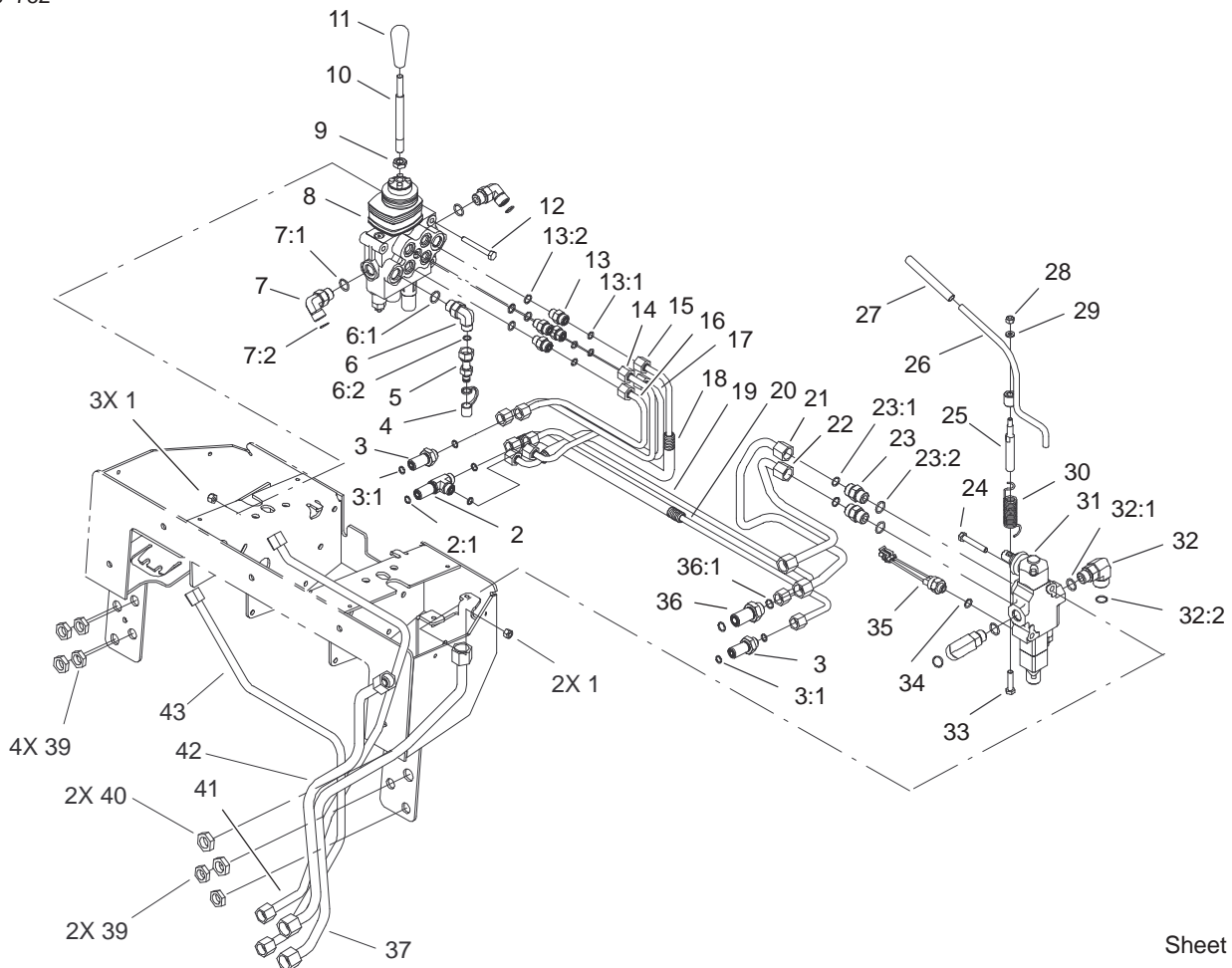




Sheet No.: 12

## Traction Control Assembly

Ref. No.	Part No.	Qty.	Description	Ref. No.	Part No.	Qty.	Description
1	322-3	4	Screw-HH	25	3256-23	4	Washer-Flat
2	68-2970	2	Bushing	26	104-9974	1	Spacer-Pivot, Rod
3	3296-29	15	Nut-Lock, NI	27	92-3133	2	Spacer-Lever, Traction
4	322-7	1	Screw-HH	28	98-8411	1	Drive Rod ASM
5	251-259	1	Bearing	29	322-6	2	Screw-HH
6	88-7450	1	Spacer-Lever, Control	30	100-6148	2	Pin-Spring, Metric
7	322-38	4	Screw-HH	31	3296-8	4	Nut-Lock, NI
8	3217-5	1	Nut-Hex	32	2411-53	2	Bearing-Rod End, LH
9	3253-3	1	Washer-Lock	33	98-8433	2	Pump Lever ASM
10	323-8	1	Screw-HH	34	98-8434	2	Clamp-Traction
11	98-8407	1	Lever-Return, RH	35	321-10	4	Screw-HH
12	105-1210	1	Spring-Extension	36	95-3711	2	Rod-Linkage
13	63-2650	2	Screw-Shoulder	37	3220-2	2	Nut
14	32151-91	1	Ring-Retaining	38	2411-52	2	Bearing-Rod End, RH
15	3256-42	3	Washer-Flat	39	3274-83	2	Screw-HSH
16	98-8408	1	Lever-Return, LH	40	104-9976-03	1	Bracket-Pivot, RH
17	3296-39	1	Nut-Lock, NI	41	95-3684	2	Shaft-Arm, Pivot
18	104-9968	1	Pivot Lever ASM	42	3256-39	6	Washer-Flat
19	3256-22	1	Washer-Flat	43	95-3703	2	Washer-Spring, Wave
20	3274-51	1	Screw-HSH				
21	257-8	1	Washer-Thrust				
22	104-9972	2	Bearing Support Block ASM				
22:2	256-252	1	Bearing-Flange				
23	3296-23	2	Nut-Lock, NI				
24	104-9975-03	1	Bracket-Pivot, LH				



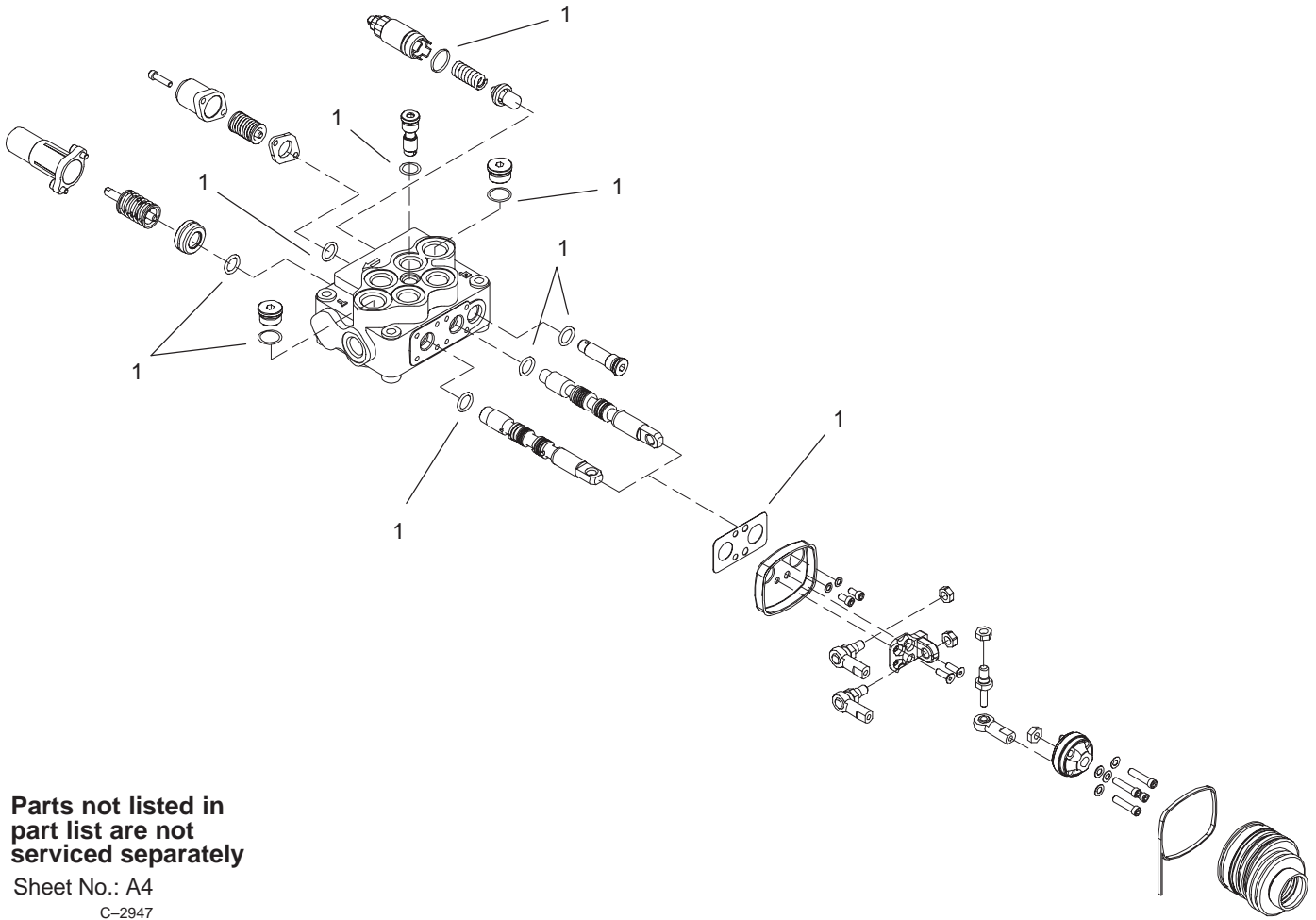
Sheet No.: 13

## Principal Hydraulic Assembly

Ref. No.	Part No.	Qty.	Description
1	3296-29	5	Nut-Lock, NI
2	340-68	2	Fitting-Tee, Bulkhead
2:1	237-22	3	O-Ring
3	340-71	4	Fitting-Straight, Bulkhead
3:1	237-22	2	O-Ring
4	354-79	1	Cap-Dust, Yellow
5	86-5480	1	Nipple-Test
6	340-18	1	Fitting-HYD, 90°
6:1	237-79	1	O-Ring
6:2	237-22	1	O-Ring
7	340-98	2	Fitting-HYD, 90°
7:1	237-79	1	O-Ring
7:2	237-30	1	O-Ring
8	95-3536	1	Valve-2 Spool
9	51-2070	1	Nut
10	95-3569	1	Shaft-Handle, Lift/Tilt
11	98-0152	1	Knob-Tapered
12	322-12	3	Screw-HH
13	340-2	4	Fitting-HYD, Straight
13:1	237-22	1	O-Ring
13:2	237-42	1	O-Ring
14	98-2788	1	HYD Tube ASM
15	98-2784	1	HYD Tube ASM
16	98-2789	1	HYD Tube ASM
17	98-2785	1	HYD Tube ASM

Ref. No.	Part No.	Qty.	Description
18	100-1287	2	Conduit-Convolutd
19	98-2787	1	HYD Tube ASM
20	98-2786	1	HYD Tube ASM
21	98-2790	1	HYD Tube ASM
22	98-2791	1	HYD Tube ASM
23	340-4	2	Adapter
23:1	237-30	1	O-Ring
23:2	237-79	1	O-Ring
24	322-11	2	Screw-HH
25	104-2827	1	Spacer-Hiflo
26	100-4246	1	Auxiliary Lever ASM
27	92-6798	1	Cap-Rod, Tilt
28	3296-42	1	Nut-Lock, NI
29	3256-16	1	Washer-Flat
30	100-6129	1	Spring-Torsion
31	104-2831	1	Valve-1 Spool
32	340-153	2	Fitting-HYD
32:1	237-79	1	O-Ring
32:2	237-151	1	O-Ring
33	48-7740	1	Screw
34	237-42	1	O-Ring
35	72-4310	1	Switch
36	340-161	2	Fitting-Bulkhead
36:1	237-30	2	O-Ring
37	104-5708	1	HYD Tube ASM
39	340-70	6	Nut-Lock





**Parts not listed in  
part list are not  
serviced separately**

Sheet No.: A4  
C-2947

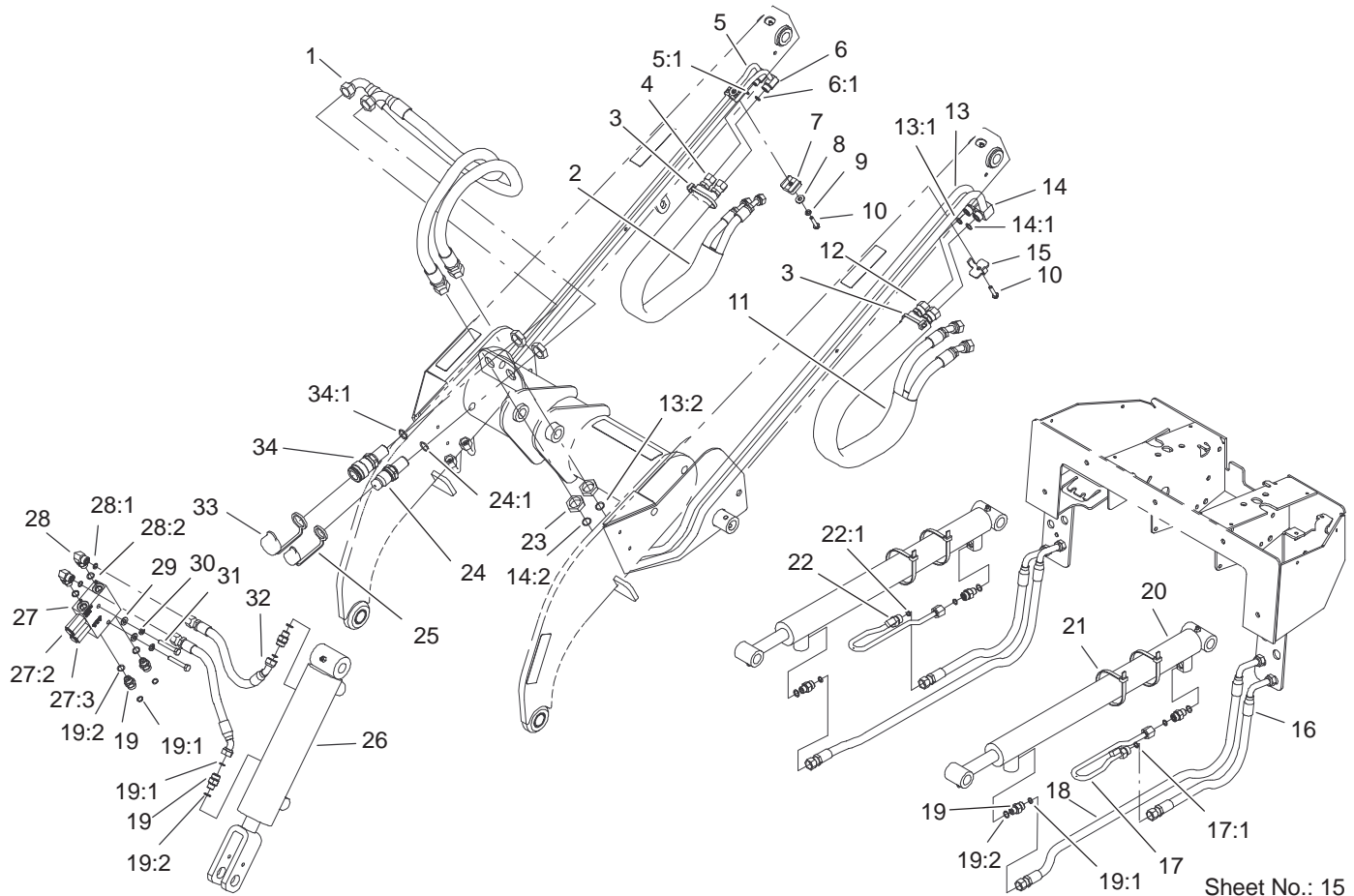
## Two Spool Valve Assembly No. 95-3536

Ref. No.	Part No.	Qty.	Description
1	100-4249	1	Seal Kit

Ref. No.	Part No.	Qty.	Description
----------	----------	------	-------------







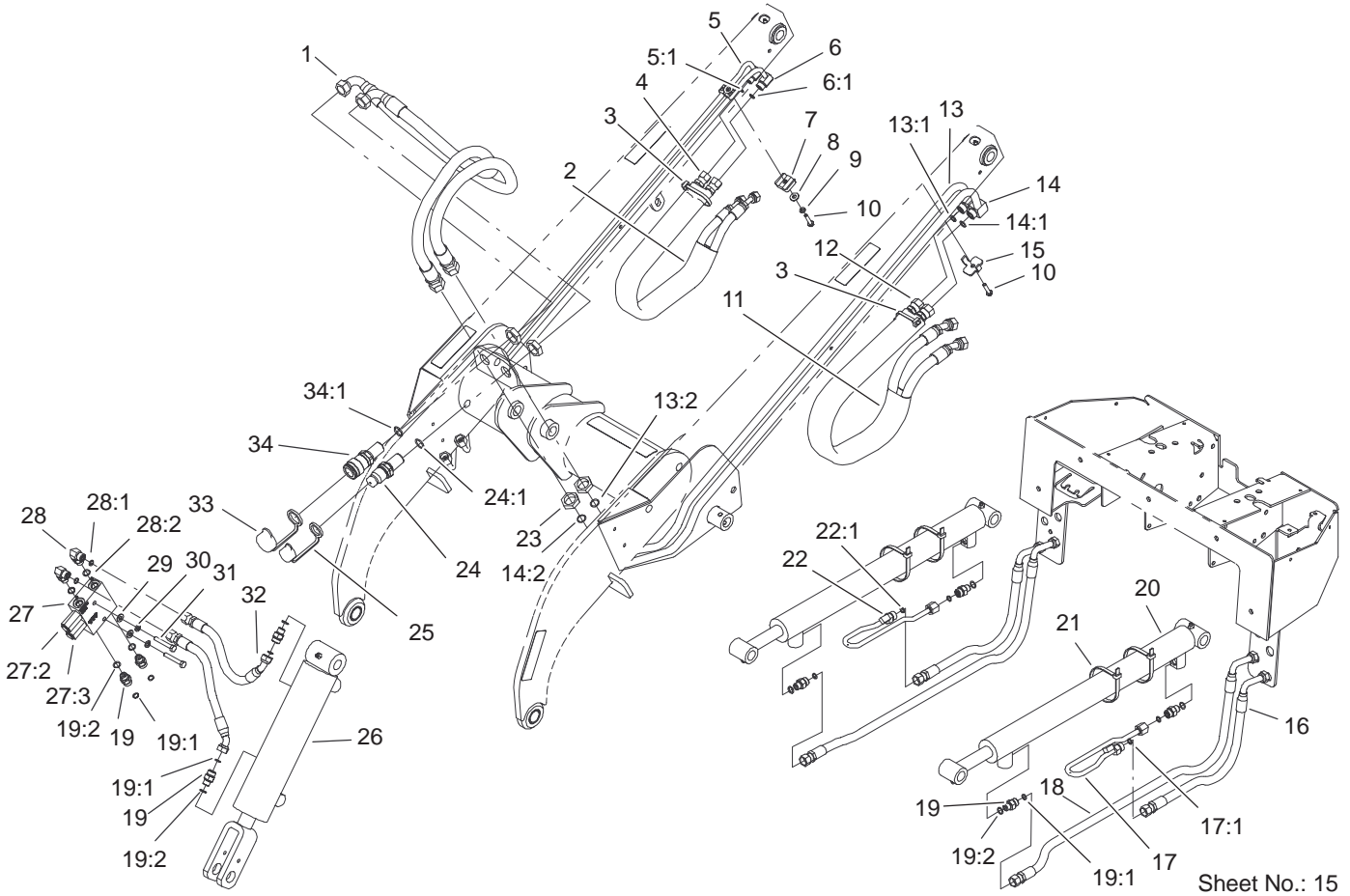
Sheet No.: 15

## Loader Arm Hydraulic Assembly

Ref. No.	Part No.	Qty.	Description
1	99-6193	2	Hose ASM
2	100-6127	1	Sleeve-Protective
3	3290-378	2	Tie-Cable
4	98-0213	2	HYD Hose ASM
5	104-9965	1	HYD Tube ASM
5:1	237-22	1	O-Ring
6	104-9964	1	HYD Tube ASM
6:1	237-22	1	O-Ring
7	56-7973	2	Clamp-Tube
8	3256-2	1	Washer-Flat
9	3253-3	1	Washer-Lock
10	32144-110	2	Screw-HWH
11	100-6128	1	Sleeve-Protective
12	98-0242	2	HYD Hose ASM
13	104-9962	1	HYD Tube ASM
13:1	237-30	1	O-Ring
13:2	237-65	1	O-Ring
14	104-9963	1	HYD Tube ASM
14:1	237-30	1	O-Ring
14:2	237-65	1	O-Ring
15	98-0237	1	Plate-Clamp, Tube
16	98-0216	2	HYD Hose ASM
17	100-1259	1	HYD Tube ASM
17:1	237-22	1	O-Ring
18	98-0217	2	HYD Hose ASM
19	340-2	8	Fitting-HYD, Straight

Ref. No.	Part No.	Qty.	Description
19:1	237-22	1	O-Ring
19:2	237-42	1	O-Ring
20	99-6162	2	Cylinder-Lift
21	3334-945	4	Tie-Cable
22	100-1258	1	HYD Tube ASM
22:1	237-22	1	O-Ring
23	340-74	4	Locknut-Bulkhead
24	105-8395	1	Bulkhead Nipple ASM
24:1	237-65	1	O-Ring
*24:2	100-6120	1	Seal Kit
25	100-8815	1	Cap-Dust, Nipple
26	95-3578	1	Cylinder-Tilt
27	100-4205	1	Valve-Relief, Crossover
*27:1	100-4219	2	Seal Kit
27:2	100-4220	1	Cartridge-Relief
27:3	100-4221	1	Cartridge-Relief
28	340-77	2	Fitting-HYD, 90°
28:1	237-22	1	O-Ring
28:2	237-42	1	O-Ring
29	3256-23	2	Washer-Flat
30	3253-4	2	Washer-Lock
31	322-10	2	Screw-HH
32	98-0207	2	HYD Hose ASM
33	100-8816	1	Cap-Dust, Coupler

\* Not illustrated



Sheet No.: 15

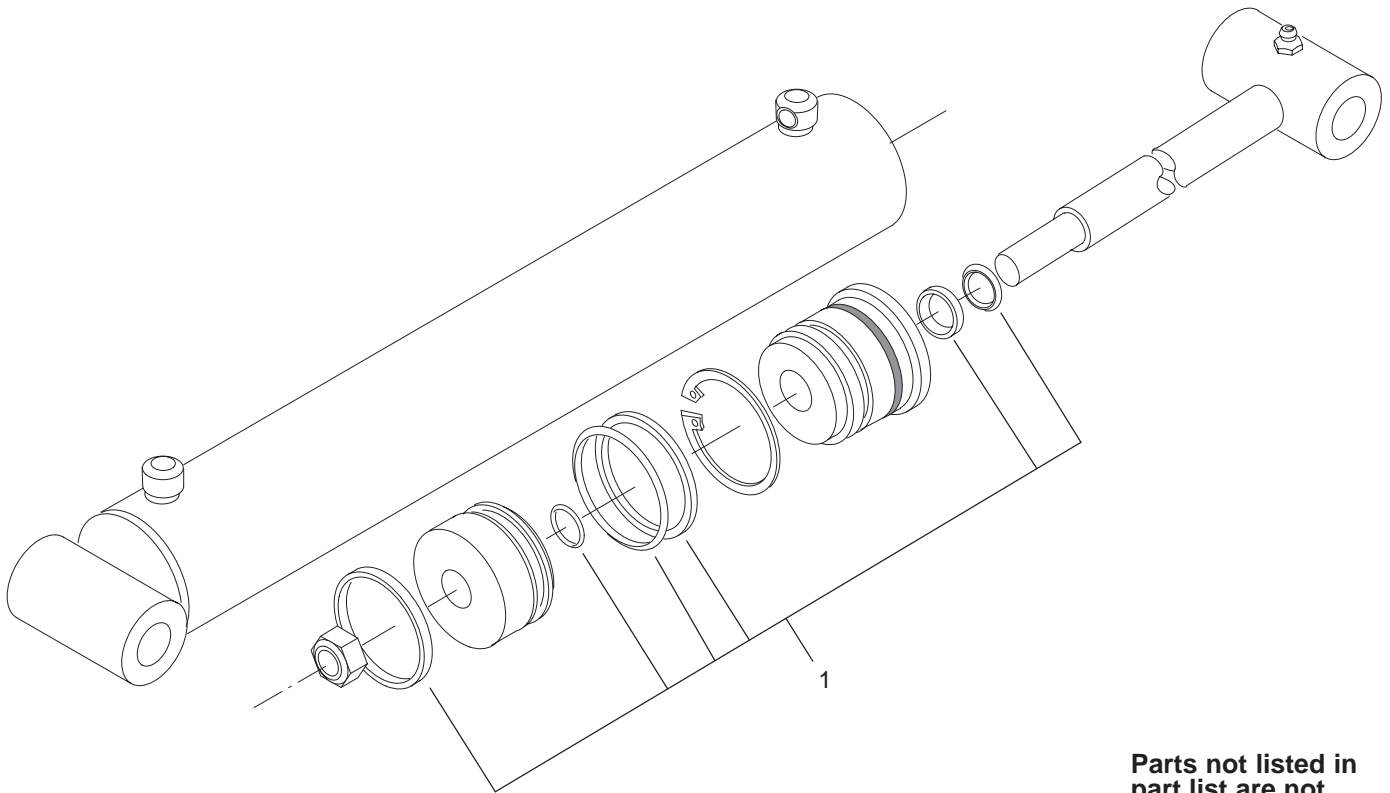
## Loader Arm Hydraulic Assembly (Continued)

Ref. No.	Part No.	Qty.	Description
34	105-8394	1	Bulkhead Coupler ASM
34:1	237-65	1	O-Ring
*34:2	105-8396	1	Seal Kit

Ref. No.	Part No.	Qty.	Description

\* Not illustrated





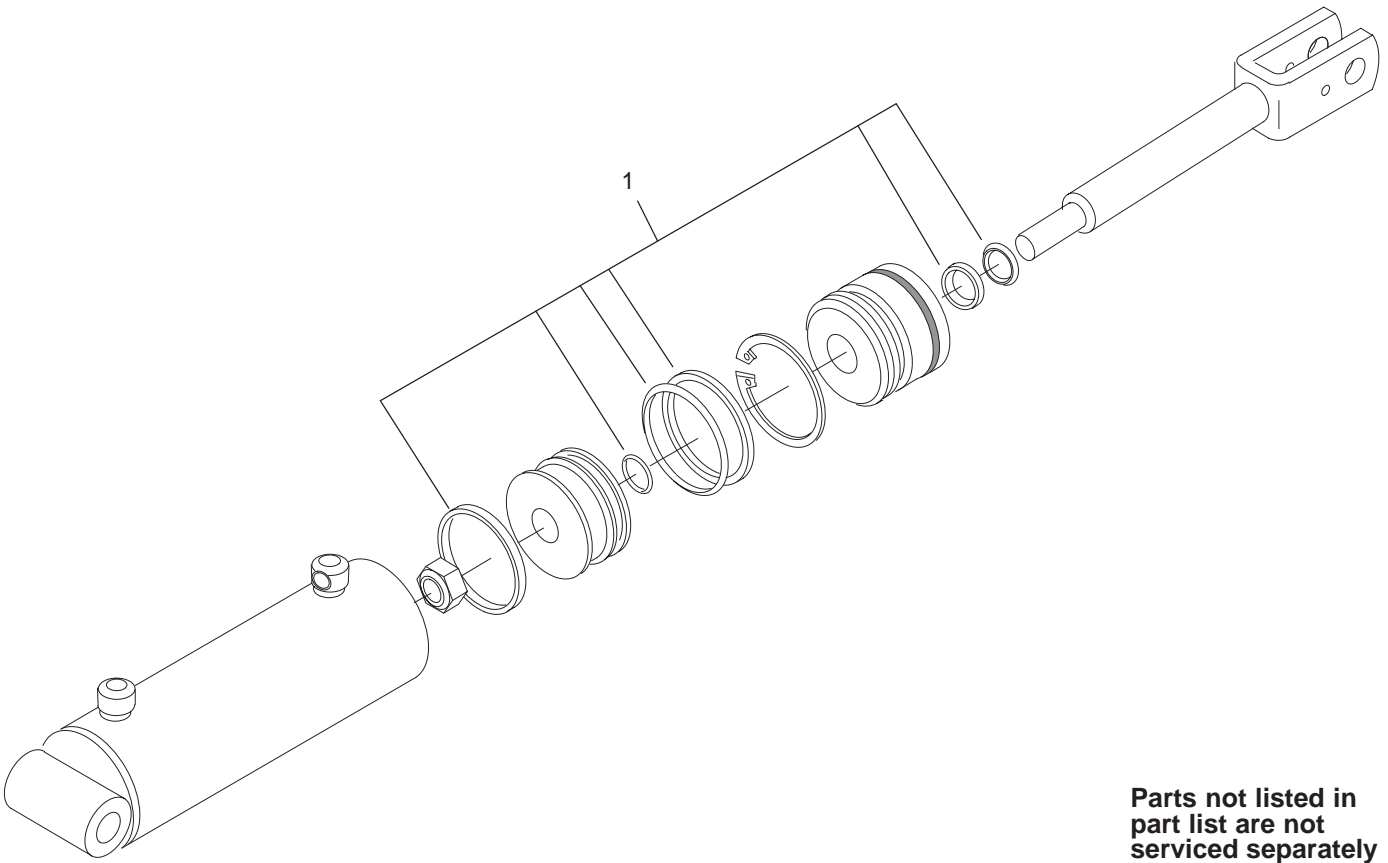
**Parts not listed in  
part list are not  
serviced separately**

Sheet No.: A6  
C-3619

## Hydraulic Cylinder Assembly No. 99-6162

Ref. No.	Part No.	Qty.	Description
1	100-6107	1	Seal Kit

Ref. No.	Part No.	Qty.	Description



**Parts not listed in  
part list are not  
serviced separately**

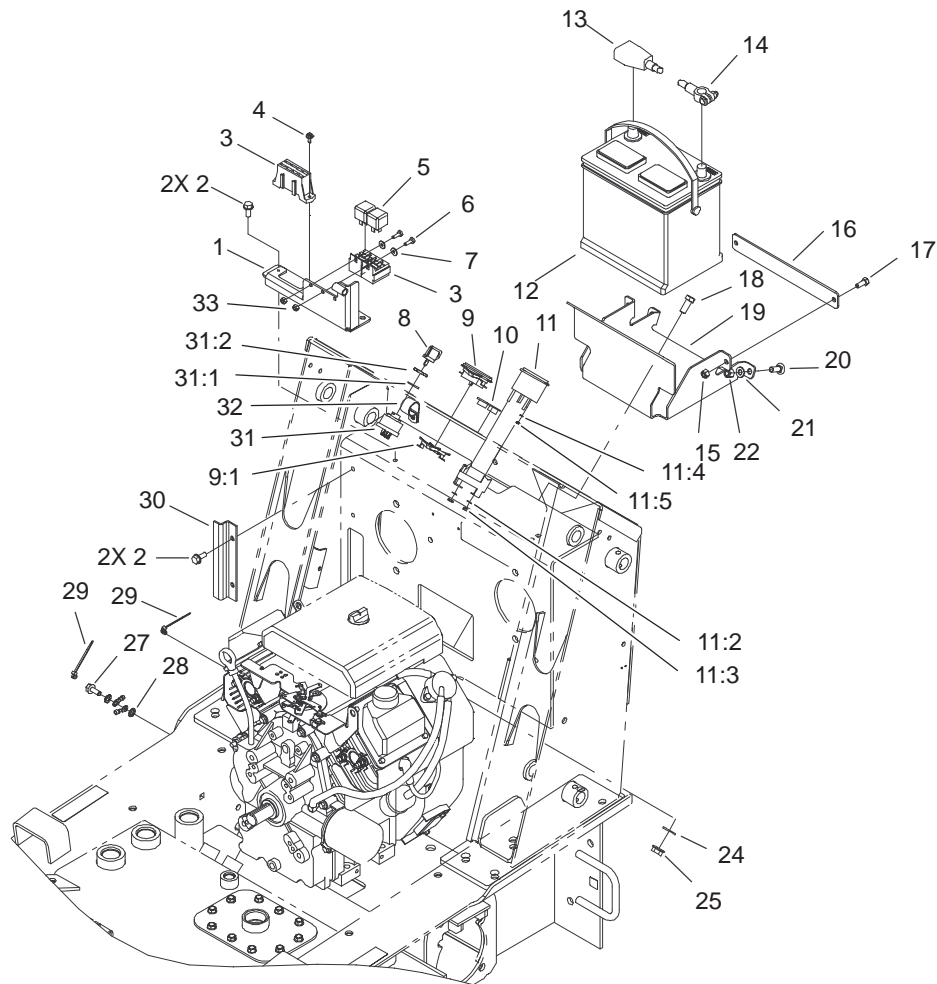
Sheet No.: A7  
C-3618

## Hydraulic Cylinder Assembly No. 95-3578

Ref. No.	Part No.	Qty.	Description
1	100-6108	1	Seal Kit

Ref. No.	Part No.	Qty.	Description
----------	----------	------	-------------





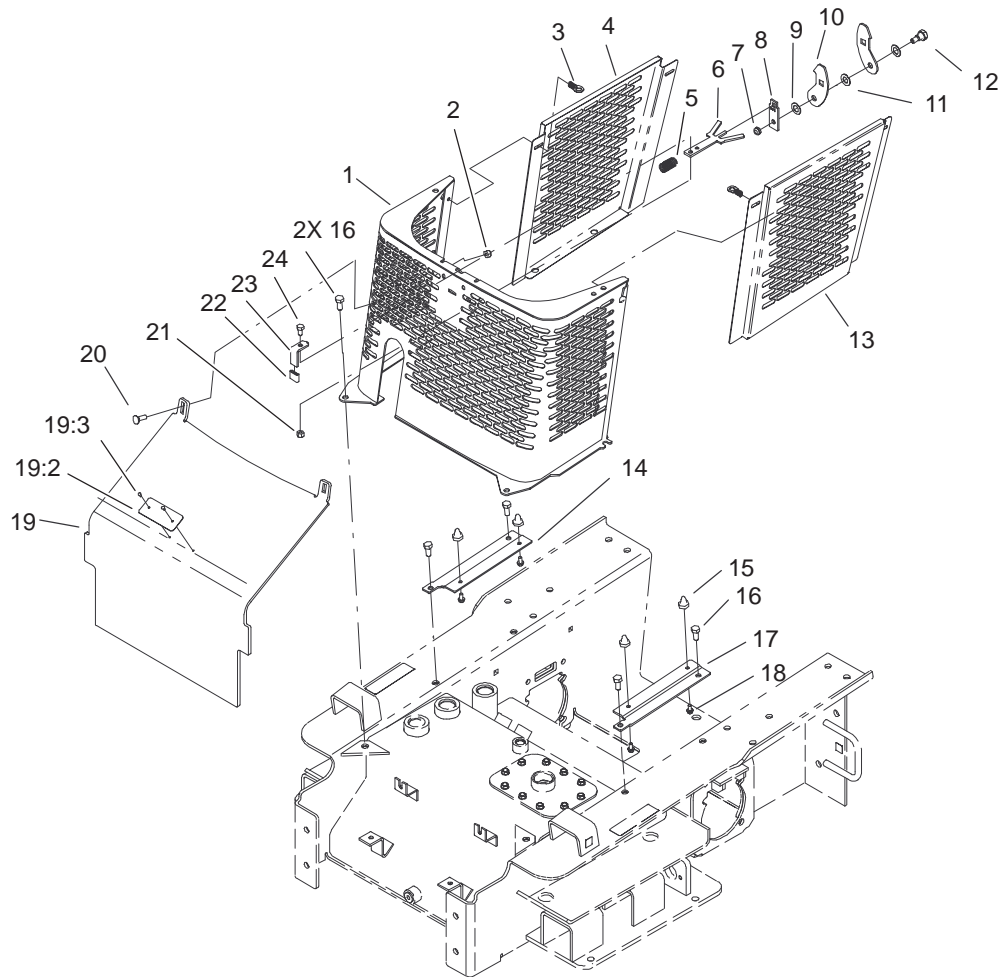
Sheet No.: 17

## Electrical Assembly

Ref. No.	Part No.	Qty.	Description
1	100-1291-03	1	Bracket-Fuse/Relay
2	32144-70	4	Screw-HH
3	106-4152	1	Harness-Wire
*3:1	114594	1	Fuse-10 Amp
*3:2	109102	1	Fuse-25 Amp
*3:3	NN10277	1	Fuse-30 Amp
*3:4	109355	1	Fuse-15 Amp
4	12-5450	2	Screw
5	98-7249	2	Relay
6	3290-134	2	Screw
7	3256-49	2	Washer-Flat
8	63-8360	1	Key-Ignition
9	104-7427	1	Hourmeter-Inductive
9:1	104-4234	1	Clip-Mounting
10	99-7420	1	Plug-Hole
11	66-2940	1	Gauge-Fuel
11:2	3254-1	2	Washer-Lock, Internal
11:3	3217-27	2	Nut-Hex
11:4	3255-24	3	Washer-Lock/Ext
11:5	3217-16	3	Nut-Hex
12	104-9979	1	Battery (Dry)
13	99-6185	1	Cable-Battery, Positive
14	99-6186	1	Cable-Battery, Negative
15	3296-29	2	Nut-Lock, NI

Ref. No.	Part No.	Qty.	Description
16	105-0371-01	1	Clamp-Battery
17	322-3	2	Screw-HH
18	324-4	2	Screw-HH
19	105-0370-01	1	Tray-Mounting, Battery
20	3231-22	2	Screw-CARR
21	3256-38	2	Washer-Flat
22	3296-39	2	Nut-Lock, NI
24	3256-4	2	Washer-Flat
25	32128-42	2	Nut-HF
27	33104-020	1	Screw-HHF
28	3255-8	2	Washer-Lock
29	3290-381	2	Tie-Cable
30	100-6117-01	1	Shield-Wiring
31	88-9830	1	Key Switch ASM
31:1	3254-5	1	Washer-Lock, Internal
31:2	218-461	1	Nut-HH
32	2412-41	1	Clamp
33	3296-2	2	Nut-Lock

\* Not illustrated

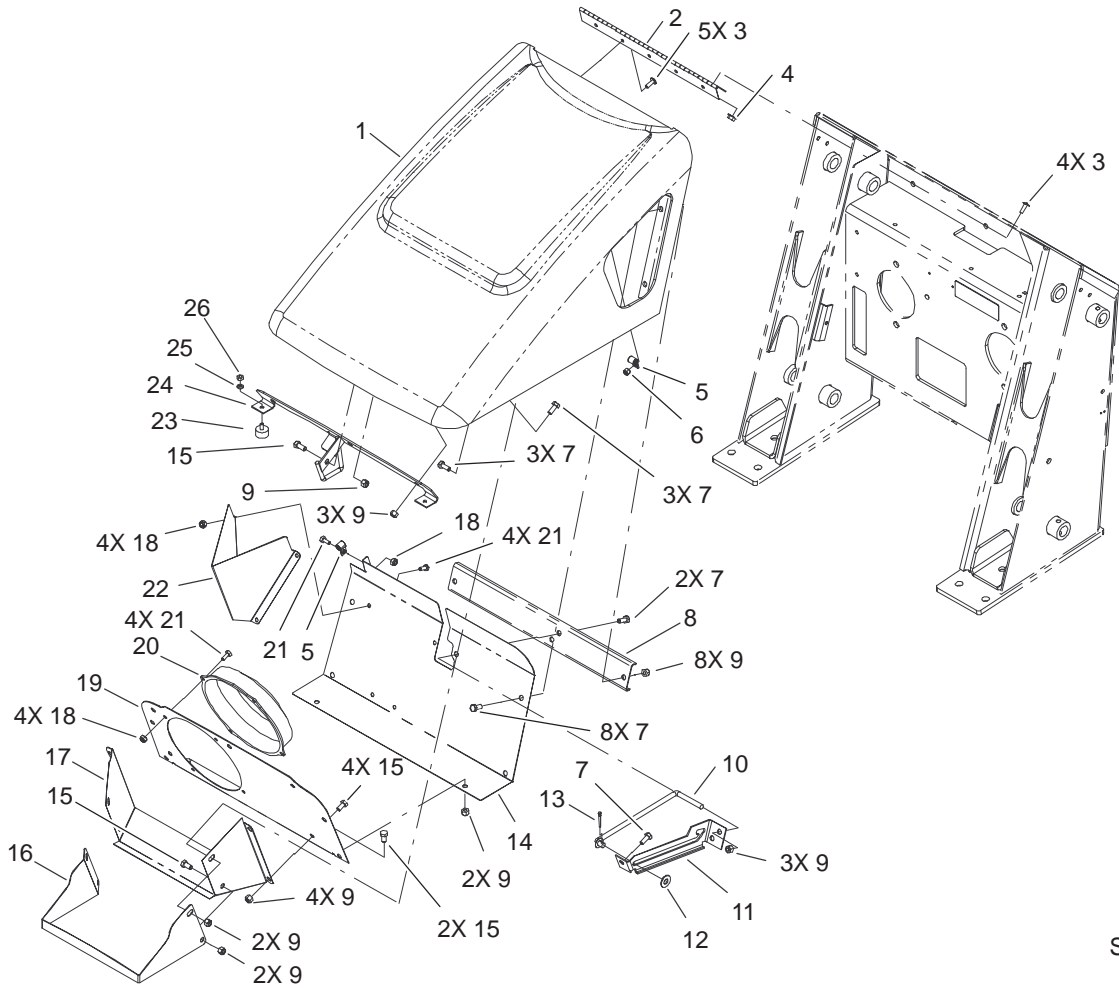


Sheet No.: 18

## Grill Assembly

Ref. No.	Part No.	Qty.	Description	Ref. No.	Part No.	Qty.	Description
1	100-1282-03	1	Grill ASM	22	100-1655	1	Grip-Handle
2	3296-29	2	Nut-Lock, NI	23	100-4223	1	Handle-Latch
3	95-4013	2	Latch ASM	24	322-2	1	Screw-HH
4	105-0380-03	1	Panel-Side, RH				
5	100-6102	1	Spring-Compression				
6	100-4226	1	Lever-Latch				
7	3296-59	1	Nut-Lock, NI				
8	100-4225	1	Spacer-Latch				
9	47-2910	1	Washer-Thrust				
10	100-4224	2	Latch-Hood				
11	257-10	2	Washer-Thrust				
12	27-5240	1	Bolt-Shoulder				
13	105-0379-03	1	Panel-Side, LH				
14	100-1280-03	1	Support-Side Panel, RH				
15	95-3989	4	Mount-Sidepanel				
16	95-1726	6	Screw-Taptite W/Patch				
17	100-1281-03	1	Support-Side Panel, LH				
18	46-8093	4	Screw-Plastite				
19	105-0395	1	Heat Shield ASM				
19:2	80-8290	1	Plate-Surface, Hot				
19:3	3269-31	2	Rivet-Pop				
20	3230-28	2	Screw-CARR				
21	3296-29	1	Nut-Lock, NI				





Sheet No.: 20

## Hood Assembly

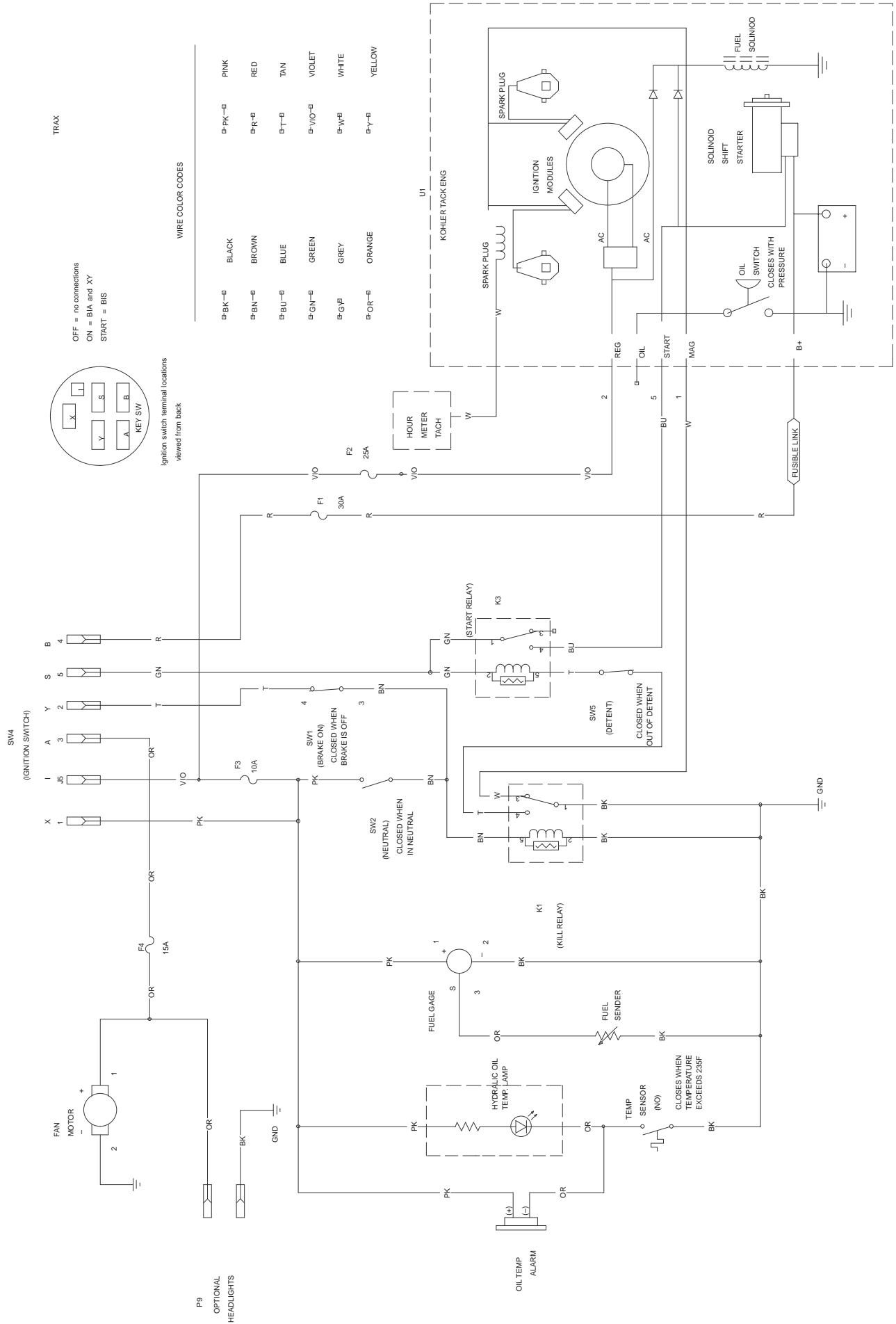
Ref. No.	Part No.	Qty.	Description
1	100-4222	1	Engine Hood ASM
2	100-1284	1	Hinge-Hood
3	9114604	9	Screw-Head, Truss
4	32128-33	4	Nut-HF
5	2412-91	2	Clamp
6	3296-42	5	Nut-Lock, NI
7	322-3	17	Screw-HH
8	100-4212-03	1	Support-Bracket, Rod/Hood
9	3296-29	25	Nut-Lock, NI
10	100-4229	1	Rod-Support, Hood
11	100-1292-03	1	Bracket-Rod/Hood
12	3256-4	1	Washer-Flat
13	3272-11	1	Pin-Cotter
14	104-2815-03	1	Panel-Rack, Fan
15	322-2	8	Screw-HH
16	104-2813-03	1	Shroud-Fan, Front
17	104-2812-03	1	Shroud-Fan
18	3296-16	9	Nut-Lock, NI
19	104-2814-03	1	Plate-Baffle, Fan
20	104-2809	1	Fan-12v
21	321-3	9	Screw-HH
22	104-2811-03	1	Baffle-Fan
23	240-14	2	Bumper-Rubber
24	100-1297-03	1	Rod Latch ASM

Ref. No.	Part No.	Qty.	Description
25	3253-3	2	Washer-Lock
26	3217-5	2	Nut-Hex

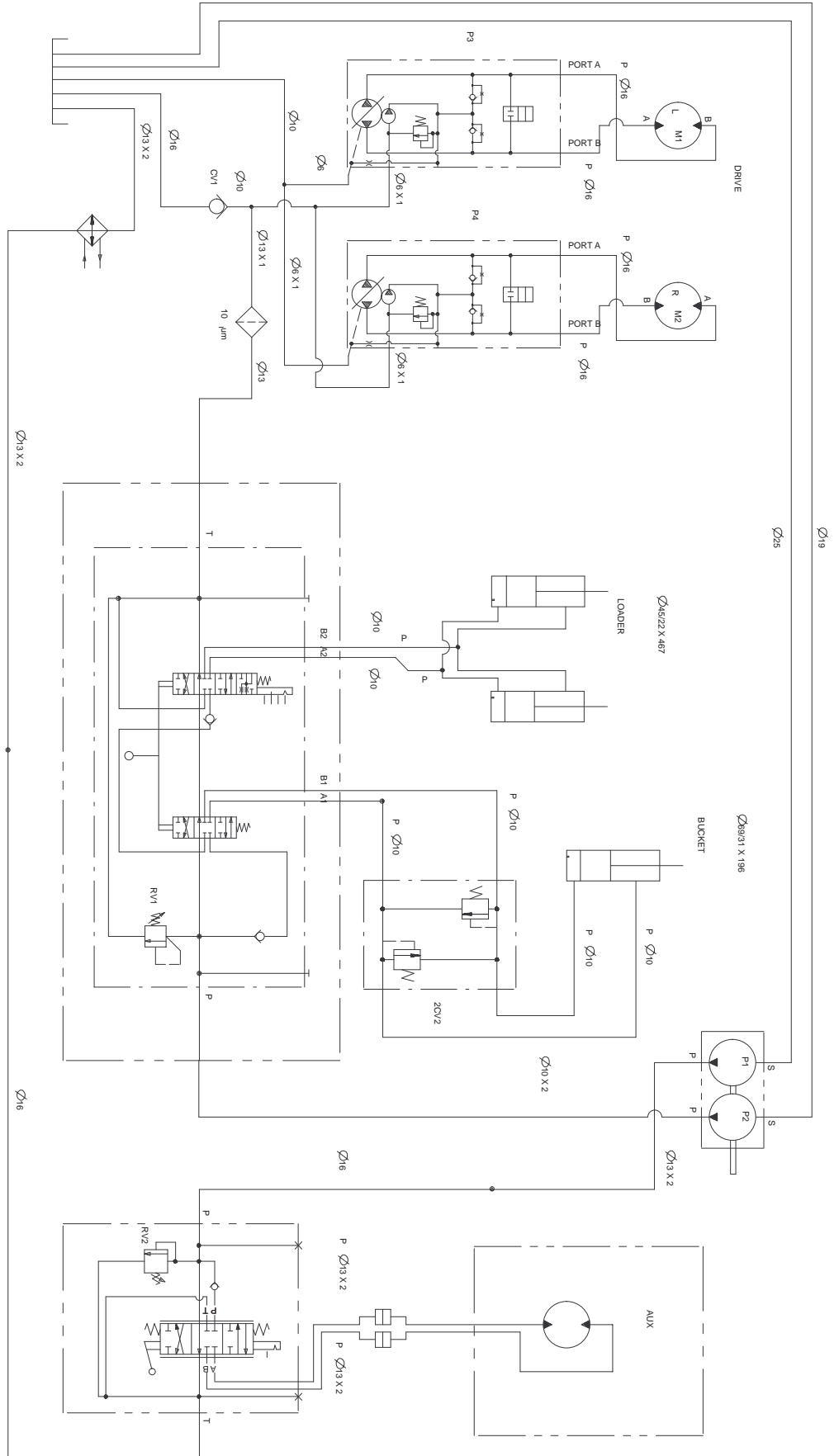




# Electrical Schematic



# Hydraulic Schematic



DISPLACEMENT A ND PRESSURE CHART

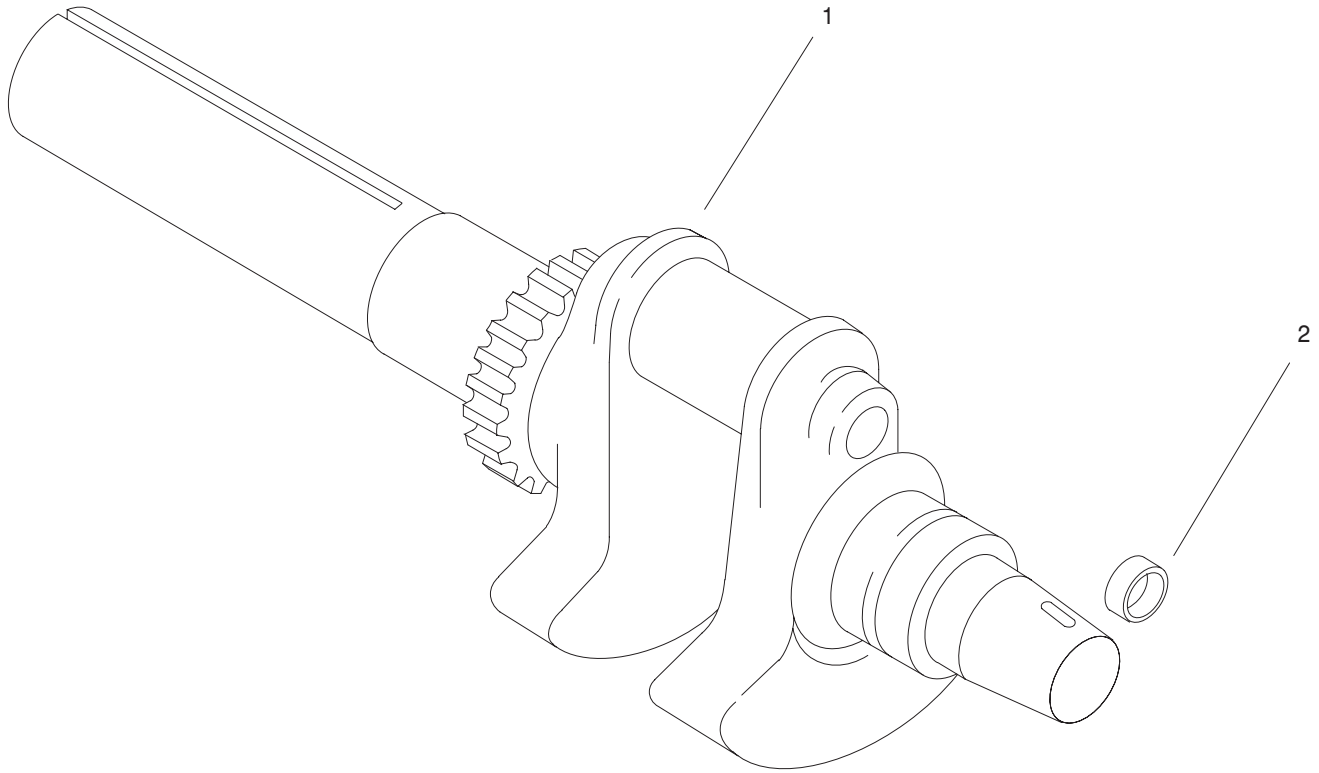
COMPONENT	DISPLACEMENT	PSI	BAR	GPM	LPM
P1	0.73 CU IN	12 CC	11.2	42.4	12.2
P2	0.36 CU IN	6 CC	5.5	21.0	6.4
M1, M2	32.3 CU IN	528 CC	17	64	19.2
P3, P4	0-1.28 CU IN	21 CC	17	64	19.2
RV1	2400 PSI	166 BARS			
RV2	3000 PSI	207 BARS			
CV1	5 PSI	35 BARS			
ZC/2	3000 PSI	207 BARS			

\* FLOWRATE CALCULATED AT 3600 RPM A

\*\* FLOWRATE CALCULATED AT 3100 RPM A

ND 98% EFFICIENCY

ND 98% EFFICIENCY

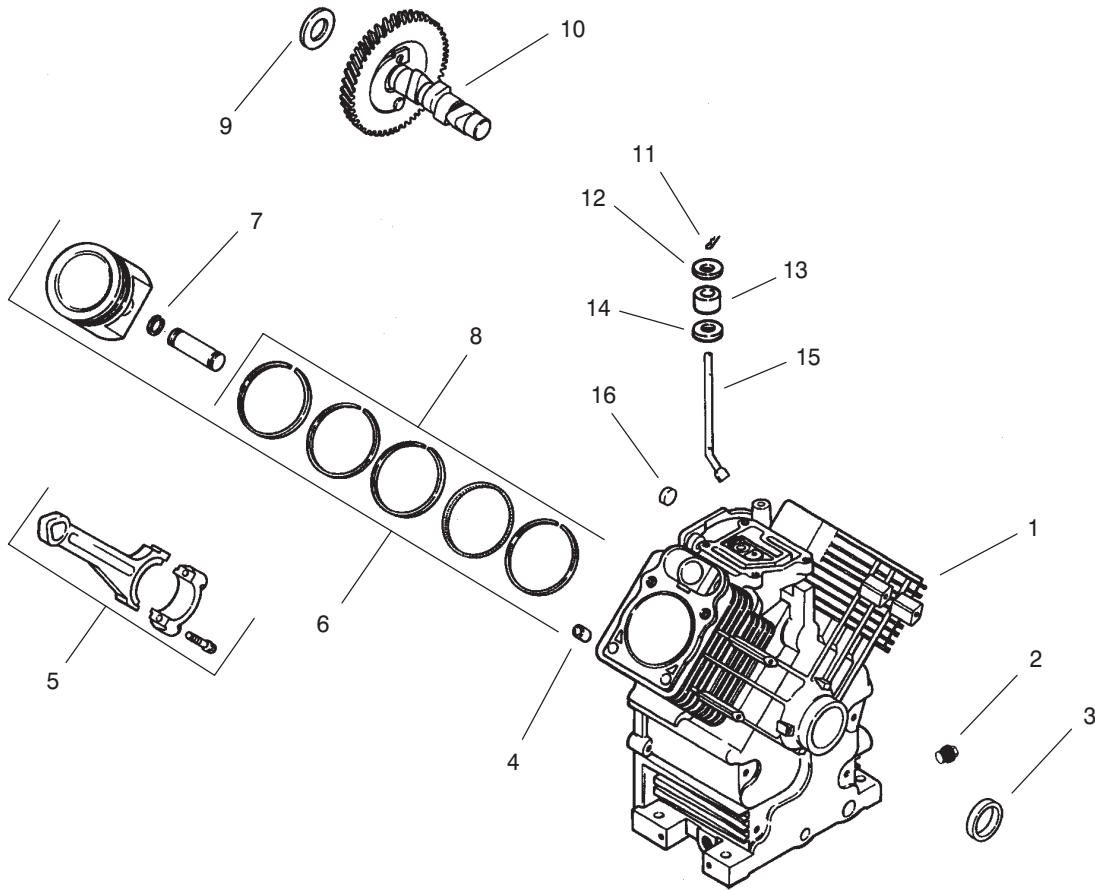


### Crankshaft (CH20S 64656 Kohler)

Ref. No.	Part No.	Qty.	Description
1	24 014 90-S	1	Crankshaft
2	52 139 09-S	1	Plug, cup

Ref. No.	Part No.	Qty.	Description

Obtain Parts From Kohler

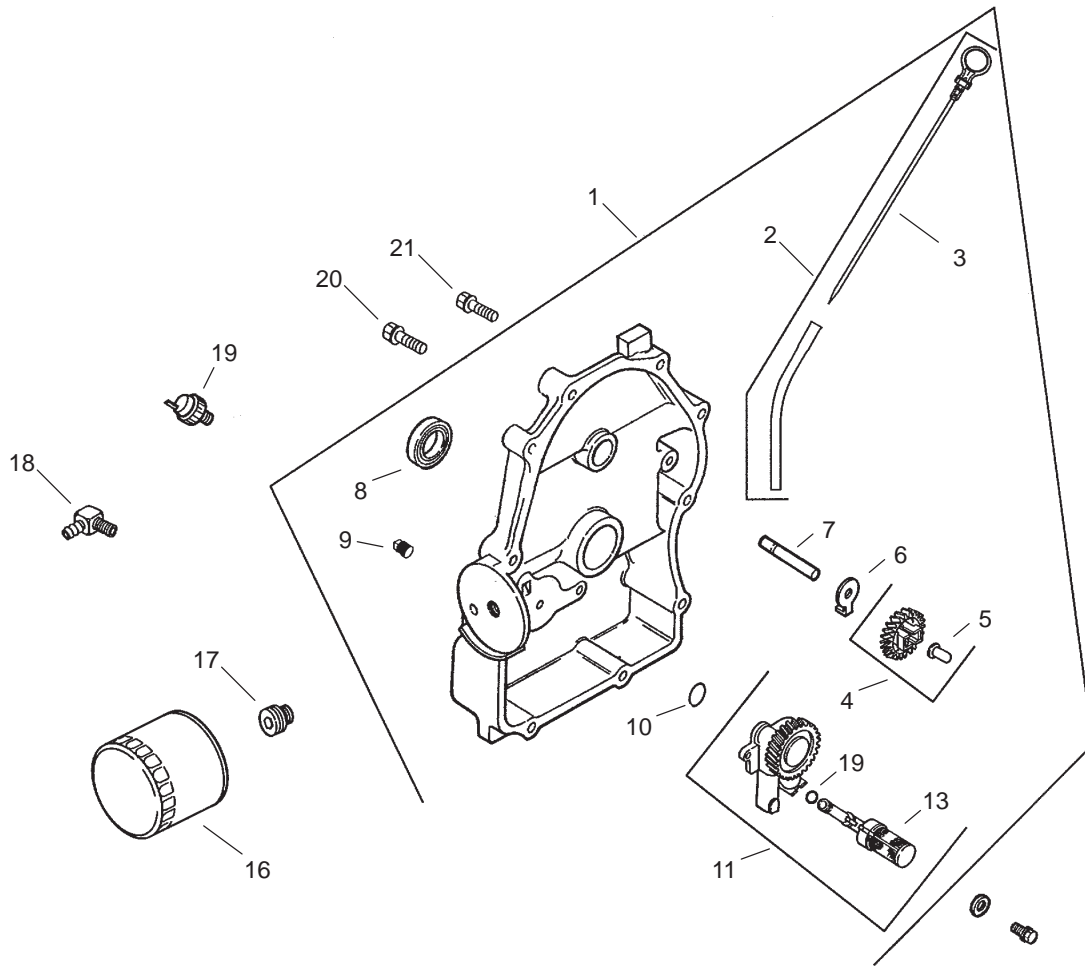


## Crankcase (CH20S 64656 Kohler)

Ref. No.	Part No.	Qty.	Description
1		1	Crankcase (Use Miniblock 24 782 15)
2	52 139 02-S	2	Plug, pipe
3	24 032 01-S	1	Seal, oil front
4	12 380 13-S	6	Pin, dowel locating
5	24 067 13-S	2	Connecting Rod (Std.)
	24 067 14-S	2	Connecting Rod (.25)
6	24 874 01-S	2	Piston w/Ring Set (Std.)
	24 874 02-S	2	Piston w/Ring Set (.25)
	24 874 03-S	2	Piston w/Ring Set (.50)
	24 874 14-S	2	Piston w/Ring Set (.08)
7	24 018 01-S	4	Retainer, piston pin
8	24 108 01-S	2	Ring Set (Std.)
	24 108 02-S	2	Ring Set (.25)
	24 108 03-S	2	Ring Set (.50)
9	12 422 09-S	A/R	Shim, camshaft - red
	12 422 13-S	A/R	Shim, camshaft - black
	12 422 07-S	A/R	Shim, camshaft - white
	12 422 08-S	A/R	Shim, camshaft - blue
	12 422 10-S	A/R	Shim, camshaft - yellow
	12 422 11-S	A/R	Shim, camshaft - green
	12 422 12-S	A/R	Shim, camshaft - gray
10	24 012 10-S	1	Camshaft

Ref. No.	Part No.	Qty.	Description
11	24 018 09-S	1	Retaining, Ring
12	M-931010-S	1	Washer, Nylon
13	28 032 09-S	1	Seal, governor cross shaft
14	24 468 15-S	1	Washer
15	24 144 33-S	1	Shaft, governor cross
16	52 139 09-S	1	Plug, cup

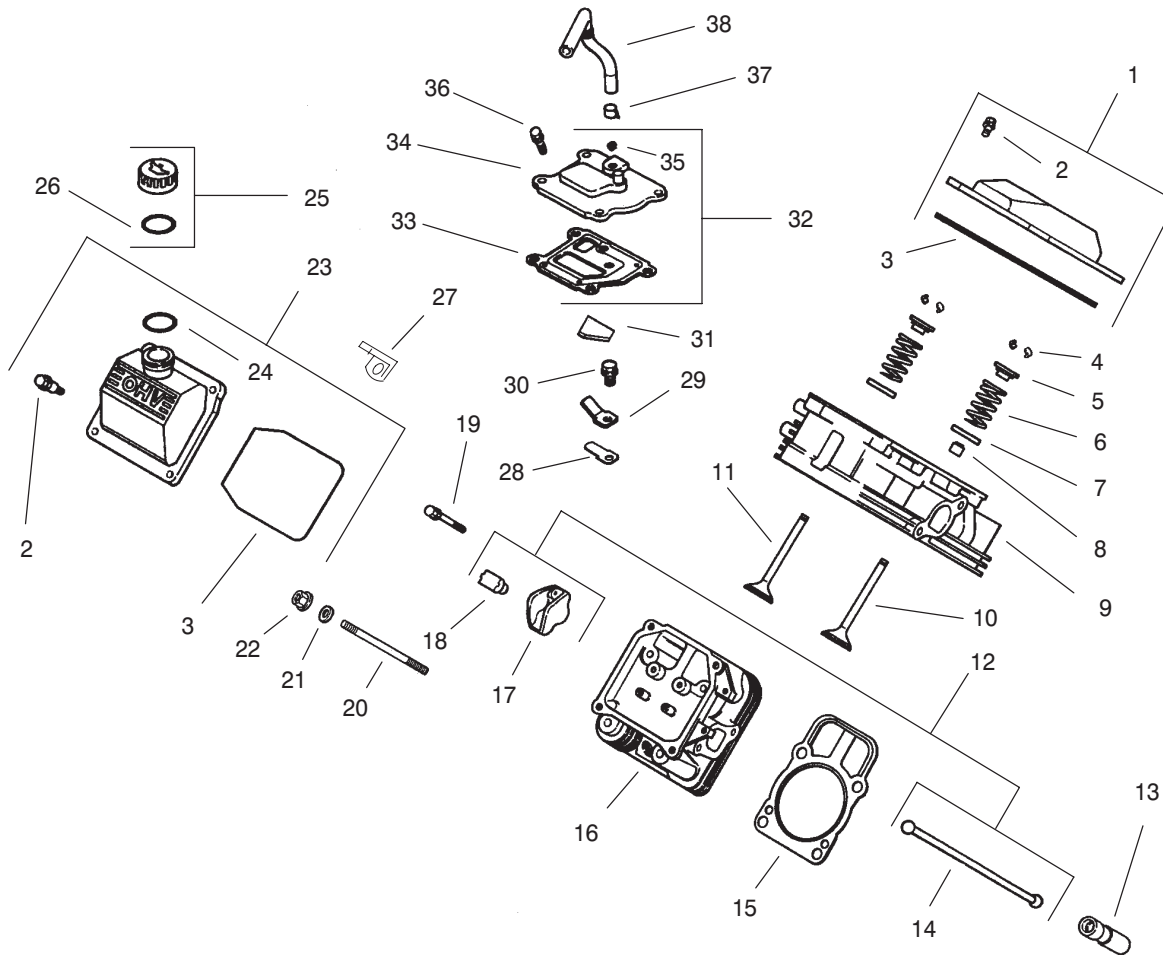
Obtain Parts From Kohler



## Oil Pan/Lubrication (CH20S 64656 Kohler)

Ref. No.	Part No.	Qty.	Description	Ref. No.	Part No.	Qty.	Description
1	24 009 92-S	1	Plate, Closure ASM (Includes 2-13)				
2	24 755 121-S	1	Dipstick & Tube Kit (Includes 3)				
3	24 038 10-S	1	Dipstick				
4	24 043 12-S	1	Kit, governor gear (Includes 5)				
5	12 380 01-S	1	Pin, governor regulating				
6	52 448 02-S	1	Tab, locking				
7	12 144 02-S	1	Shaft, governor gear				
8	52 032 08-S	1	Seal, oil (PTO end)				
9	X-75-23-S	2	Plug, pipe 1/8"				
10	24 153 08-S	1	O-Ring				
11	24 393 10-S	1	Oil pump assembly (Includes 12,13)				
12	24 153 01-S	1	O-Ring, oil pick-up				
13	24 381 04-S	1	Pick-up, oil				
14	M-631005-S	2	Washer, plain 6 mm				
15	M-645025-S	2	Screw, hex flange				
16	52 050 02-S	1	Filter, oil				
17	24 136 01-S	1	Nipple, oil filter				
18	25 155 02-S	1	Connector				
19	24 099 03-S	1	Switch, pressure				
20	24 086 16-S	9	Screw, hex flange				
21	24 086 17-S	1	Screw, hex flange				

Obtain Parts From Kohler

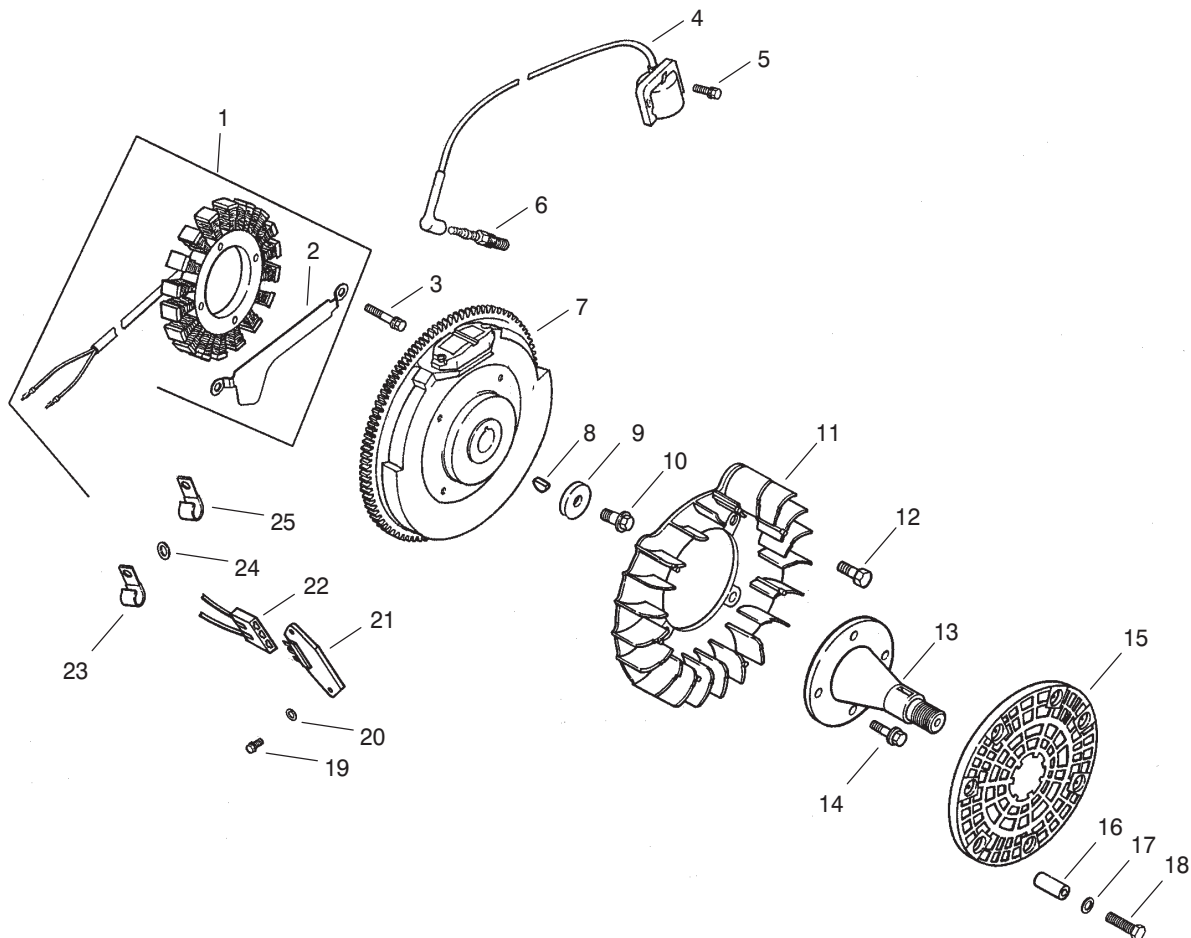


## Head/Valve/Breather (CH20S 64656 Kohler)

Ref. No.	Part No.	Qty.	Description
1	24 755 74-S	1	Kit, valve cover – plain (Includes 2-3)
2	24 086 32-S	4	Screw, shoulder
3	24 153 16-S	1	O-Ring, valve cover
4	12 755 03-S	4	Kit, retainer
5	12 173 01-S	4	Cap, valve spring
6	24 089 02-S	4	Spring, valve
7	235011-S	4	Retainer, spring
8	24 032 05-S	2	Seal, valve stem
9	24 318 68-S	1	Head assembly, #1 cylinder
10	24 017 01-S	2	Valve, intake ( Std.)
	24 017 02-S	2	Valve, intake (.25)
11	24 016 01-S	2	Valve, exhaust (Std.)
	24 016 02-S	2	Valve, exhaust (.25)
12	24 755 66-S	1	Kit, valve train (Includes 15,18,19)
13	12 351 01-S	4	Lifter, valve
14	24 411 05-S	4	Rod, push
15	24 041 08-S	2	Gasket, cylinder head
16	24 318 71-S	1	Head assembly, #2 cylinder
17	25 186 01-S	4	Arm, rocker
18	24 599 01-S	4	Pivot, rocker arm
19	M-640034-S	4	Screw, hex. flange
20	24 072 09-S	1	Stud, Cyl. Head

Ref. No.	Part No.	Qty.	Description
21	24 468 16-S	1	Washer, Flat
22	24 100 10-S	1	Nut-HF
23	24 755 75-S	1	Kit, valve cover – oil fill (Includes 2,3,23)
24	24 153 09-S	1	O-Ring
25	24 755 46-S	1	Kit, oil fill cap (Includes 24)
26	12 153 03-S	1	O-Ring, oil fill cap
27	24 445 01-S	1	Strap, Lifting
28	24 402 03-S	1	Reed, breather
29	12 018 01-S	1	Retainer, breather reed
30	M-545010-S	1	Screw, hex. flange
31	24 050 01-S	1	Filter, breather
32	24 033 01-S	1	Kit, breather (Includes 33-35)
33	24 041 23-S	1	Gasket, breather
34	24 096 58-S	1	Cover, breather
35	X-75-23-S	1	Plug, allen head pipe
36	M-645020-S	4	Screw, hex. flange
37	X-426-9-S	1	Clamp, breather
38	24 326 26-S	1	Hose, breather

Obtain Parts From Kohler

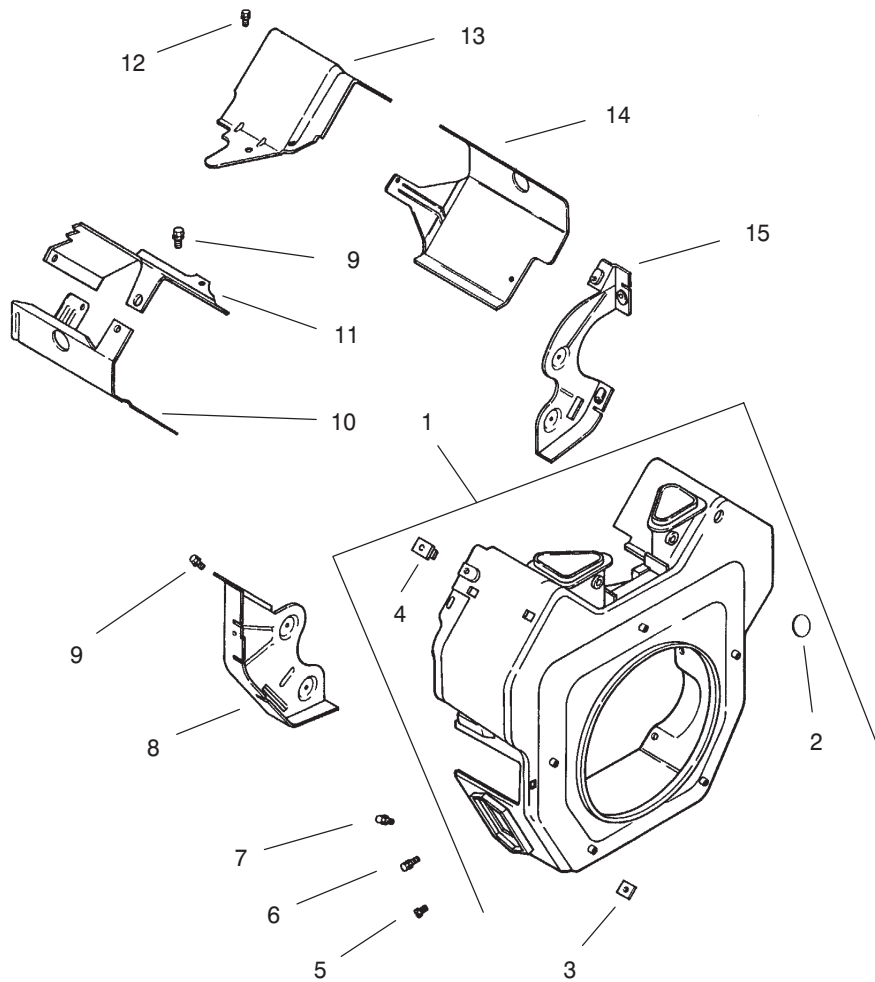


## Ignition/Electrical (CH20S 64656 Kohler)

Ref. No.	Part No.	Qty.	Description
1	54 755 09-S	1	Kit, 15 amp stator (Includes 2)
2	24 126 71-S	1	Bracket, stator wire
3	M-548025-S	2	Screw, hex. cap
4	24 584 01-S	2	Module, ignition
5	M-545020-S	4	Screw, hex. flange
6	12 132 06-S	2	Spark Plug
7	24 025 01-S	1	Flywheel
8	X-42-15-S	1	Key
9	12 468 03-S	1	Washer, plain 3/8"
10	12 086 14-S	1	Screw, hex flange
11	24 157 03-S	1	Fan
12	25 086 47-S	4	Bolt, shoulder
13	24 144 13-S	1	Shaft, front drive
14	M-839025-S	4	Screw, hex flange
15	24 162 18-S	1	Screen, grass
16	24 122 04-S	4	Spacer
17	X-25-92-S	2	Washer, plain 3/16
18	M-403025-S	4	Screw
19	24 086 18-S	2	Screw, phillips hd.
20	X-25-92-S	2	Washer
21	25 403 03-S	1	Rectifier-regulator 15 amp
22	236602-S	1	Connector
23	235173-S	1	Clip, cable
24	X-25-63-S	1	Washer, plain 1/4"

Ref. No.	Part No.	Qty.	Description
25	48 154 02-S	1	Clip, cable
			<b>Not Illustrated</b>
	25 518 12-S	1	Lead, black, (4" - 18 gauge - insulated grip barrel eyelet terminals)
	25 086 91-S	1	Screw, sems hex cap (used to mount terminal on wiring harness to baffle
	24 176 08-S	1	Harness, wiring
	X-22-11-S	1	Washer, lock
	25 454 03-S	2	Tie, cable

Obtain Parts From Kohler



### Blower Housing and Baffle (CH20S 64656 Kohler)

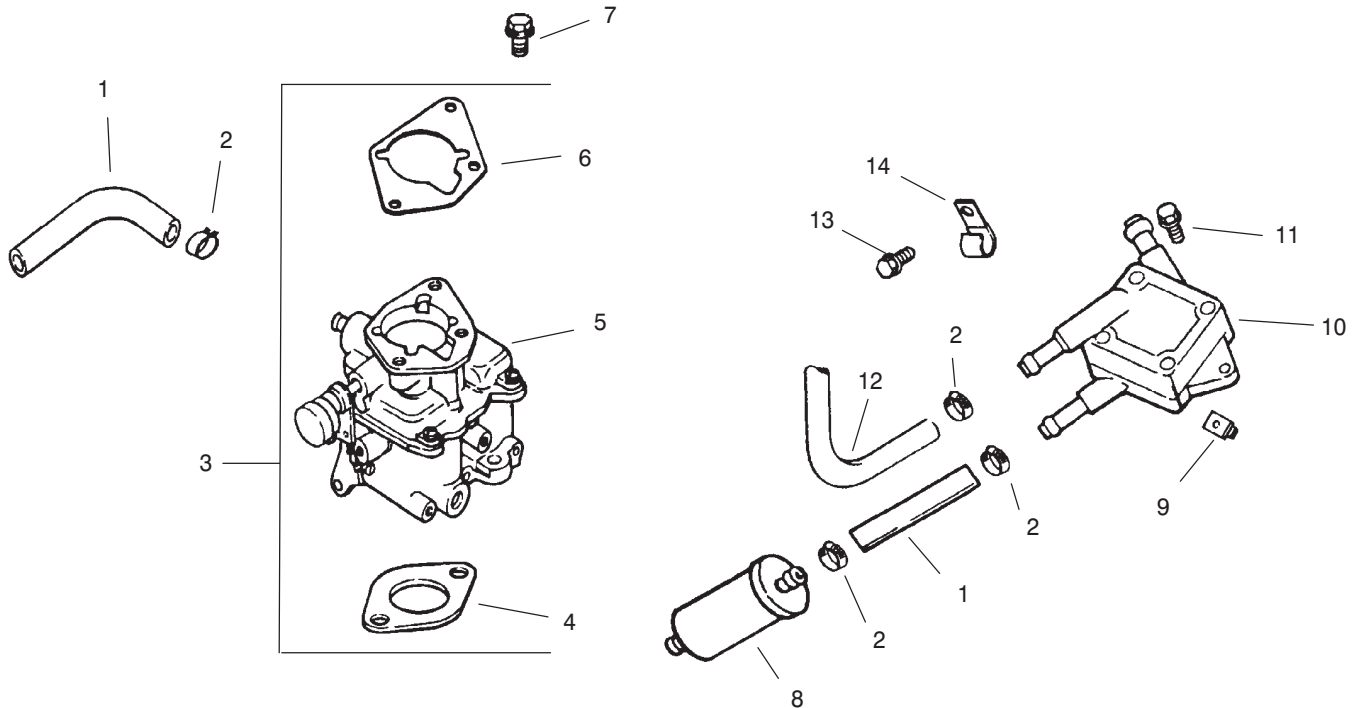
Ref. No.	Part No.	Qty.	Description
1	24 027 20-S	1	Housing, blower (Includes 2-4)
2	25 139 16-S	1	Plug, button 9/16"
3	24 100 01-S	3	Nut, plastic
4	24 100 02-S	2	Nut, plastic
5	M-551016-S	1	Screw, hex. flange
6	M-545016-S	3	Screw, hex. flange
7	M-545020-S	4	Screw, hex. flange
8	24 146 16-S	1	Plate, backing - #2 side
9	M-645016-S	6	Screw, hex. flange
10	24 063 20-S	1	Baffle, cyl. barrel-#2 side
11	24 063 17-S	1	Baffle, valley - #2 side
12	M-545010-S	2	Screw, hex. flange
13	24 063 24-S	1	Baffle, valley - #1 side
14	24 063 58-S	1	Baffle, cyl. barrel-#1 side
15	24 146 20-S	1	Plate, backing - #1 side
	24 113 95-S	1	<b>Not Illustrated</b> Decal, HP

Ref. No.	Part No.	Qty.	Description

Obtain Parts From Kohler





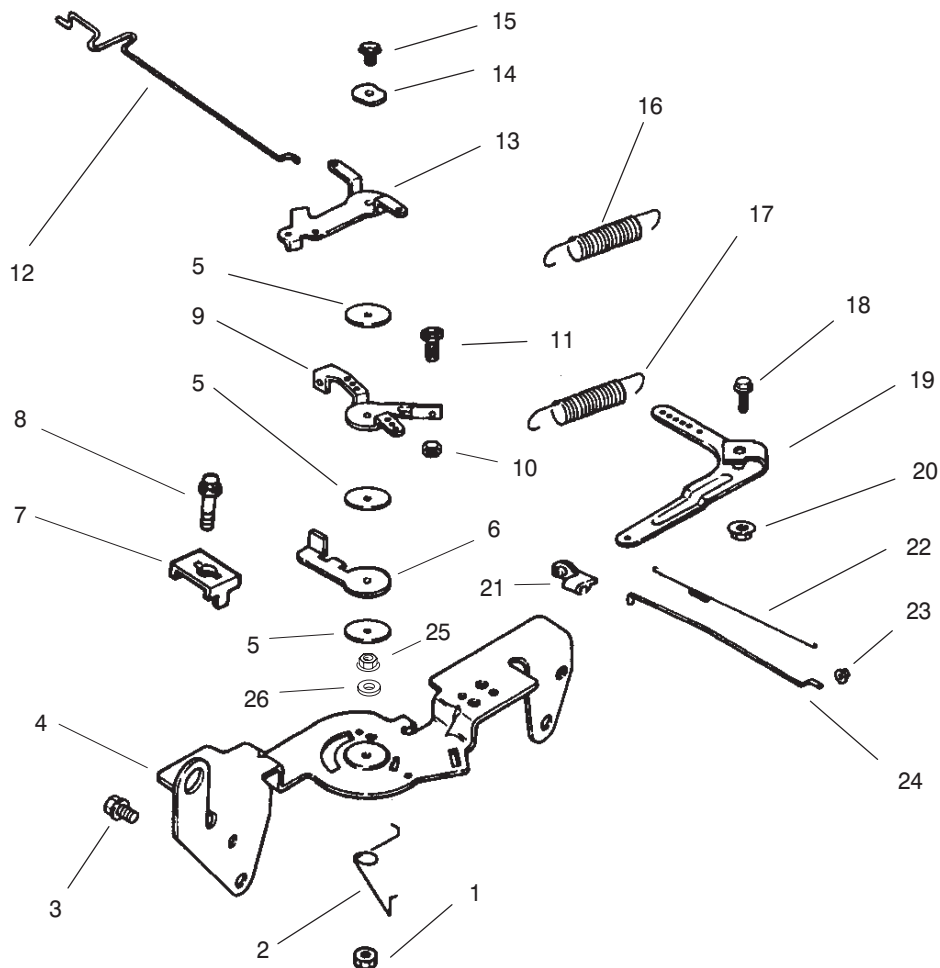


### Fuel System (CH20S 64656 Kohler)

Ref. No.	Part No.	Qty.	Description
1	25 353 32-S	2	Line, fuel - 9"
2	25 237 14-S	6	Clamp, hose
3	24 853 32-S	1	Kit, carburetor w/gasket (Incl. 4-6)
4	24 041 06-S	1	Gasket, air cleaner
5	24 053 32-S	1	Carburetor assembly (For information only not available separate Includes 24 757 01-S, 24 757 02-S, 24 757 03S & 24 757 07-S)
6	24 041 17-S	1	Gasket, carburetor
7	M-651030-S	2	Screw, hex. flange
8	24 050 02-S	1	Filter, fuel
9	24 100 01-S	2	Nut, plastic
10	24 393 16-S	1	Pump, fuel-pulse
11	24 086 12-S	2	Screw, hex cap
12	24 353 02-S	1	Line, fuel 15-1/2"
13	M-650012-S	1	Screw, hex flange
14	47 154 01-S	1	Clip, cable
	24 757 01-S	1	<b>Not Illustrated</b> Kit, solenoid (Includes solenoid 24 521 01-S, O-Ring 24 153 04-S, O-Ring 24 153 05-S, O-Ring 24 153 06-S,

Ref. No.	Part No.	Qty.	Description
			Solenoid screw 24 086 07-S, & Solenoid 24 435 01-S)
	24 757 02-S	1	Kit-Float
	24 757 07-S	1	Kit, choke (Includes choke lever cap 24 173 02-S)
	24 757 03-S	1	Kit, carburetor repair (Includes inlet needle valve clip 24 154 01-S, inlet needle valve 24 462 01-S, carburetor body screw 24 086 09-S, carburetor body gasket 24 041 09-S, slow O-Ring 24 153 02-S, O-Ring 24 13 04-S, O-Ring 24 153 05-S, O-Ring 24 153 06-S, idle needle 24 368 01-S, & idle needle spring 24 089 11-S)

Obtain Parts From Kohler

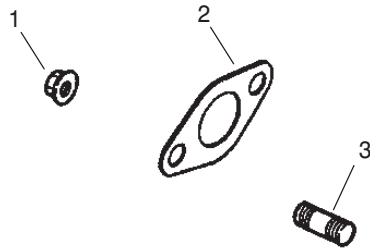


## Engine Control (CH20S 64656 Kohler)

Ref. No.	Part No.	Qty.	Description	Ref. No.	Part No.	Qty.	Description
1	M-547050-S	1	Nut, hex. lock	25	M-545010-S	1	Nut-HF
2	24 089 03-S	1	Spring, choke return	26	X-20-1-S	1	Washer, Lock
3	M-645016-S	4	Screw, hex. flange				
4	24 126 56-S	1	Bracket, control				
5	24 468 01-S	3	Washer, plain				
6	24 090 07-S	1	Lever, throttle actuator				
7	12 237 01-S	2	Clamp, cable				
8	M-545016-S	2	Screw, hex. flange				
9	24 090 03-S	1	Lever, throttle control				
10	M-446030-S	1	Nut, hex				
11	M-401030-S	1	Screw, hex. cap				
12	24 079 02-S	1	Linkage, choke				
13	24 090 05-S	1	Lever, choke				
14	41 468 03-S	1	Washer, spring				
15	M-545020-S	1	Screw, hex. flange				
16	24 089 51-S	1	Spring, throttle limiter				
17	24 089 46-S	1	Spring, governor				
18	24 211 03-S	1	Screw, hex. flange				
19	24 090 33-S	1	Lever, governor				
20	M-641060-S	1	Nut, hex. flange				
21	25 158 11-S	1	Bushing, linkage retaining				
22	24 089 01-S	1	Spring, linkage				
23	25 158 08-S	1	Bushing, linkage retaining				
24	24 079 01-S	1	Linkage, throttle				

Obtain Parts From Kohler





### Exhaust (CH20S 64656 Kohler)

Ref. No.	Part No.	Qty.	Description
1	M-841080-S	4	Nut, hex flange
2	24 041 02-S	2	Gasket, exhaust
3	25 072 04-S	4	Stud
			<b>Not Illustrated</b>
	24 782 15	1	Miniblock
	24 755 107-S	1	Gasket Set

Ref. No.	Part No.	Qty.	Description

Obtain Parts From Kohler





