



**Count on it.**

**Parts Catalog**

**Z Master® Professional 5000  
Series Riding Mower**

**with 60in TURBO FORCE® Side Discharge  
Mower**

Model No. 72930—Serial No. 413000000 and Up



# Ordering Replacement Parts

To order replacement parts, please supply the part number, the quantity, and the description of each part desired.

## Understanding Reference Numbers

Each identified part in an illustration has a reference number. The reference number for a part also appears in the parts list, along with other information about the part.

This catalog uses two special reference number formats, one to indicate parts in a service assembly and another to indicate the quantity of a given part in an illustration.

## Service Assembly Reference Numbers

Parts in service assemblies have reference numbers in the form a:b. The a represents the reference number of the entire service assembly and the b represents a sequential number unique to each part within the service assembly.

For example, a wheel assembly might be identified by reference number 6, the tire by 6:1, the valve by 6:2, and the wheel by 6:3. When you order the assembly identified by reference number 6, you receive all parts identified by reference numbers 6:1, 6:2, and 6:3. However, you may also order any part individually. Reference numbers of this type appear in illustration and in parts lists.

## Reference Numbers Indicating Quantity

In an illustration, if a reference number indicates more than one part, the reference number has the form nX y. The n represents the quantity of the part, the X is the multiplication symbol, and the y represents the reference number.

For example, in an illustration, the reference number 2X 37 means that two of the parts identified by reference number 37 are indicated.

# Contents

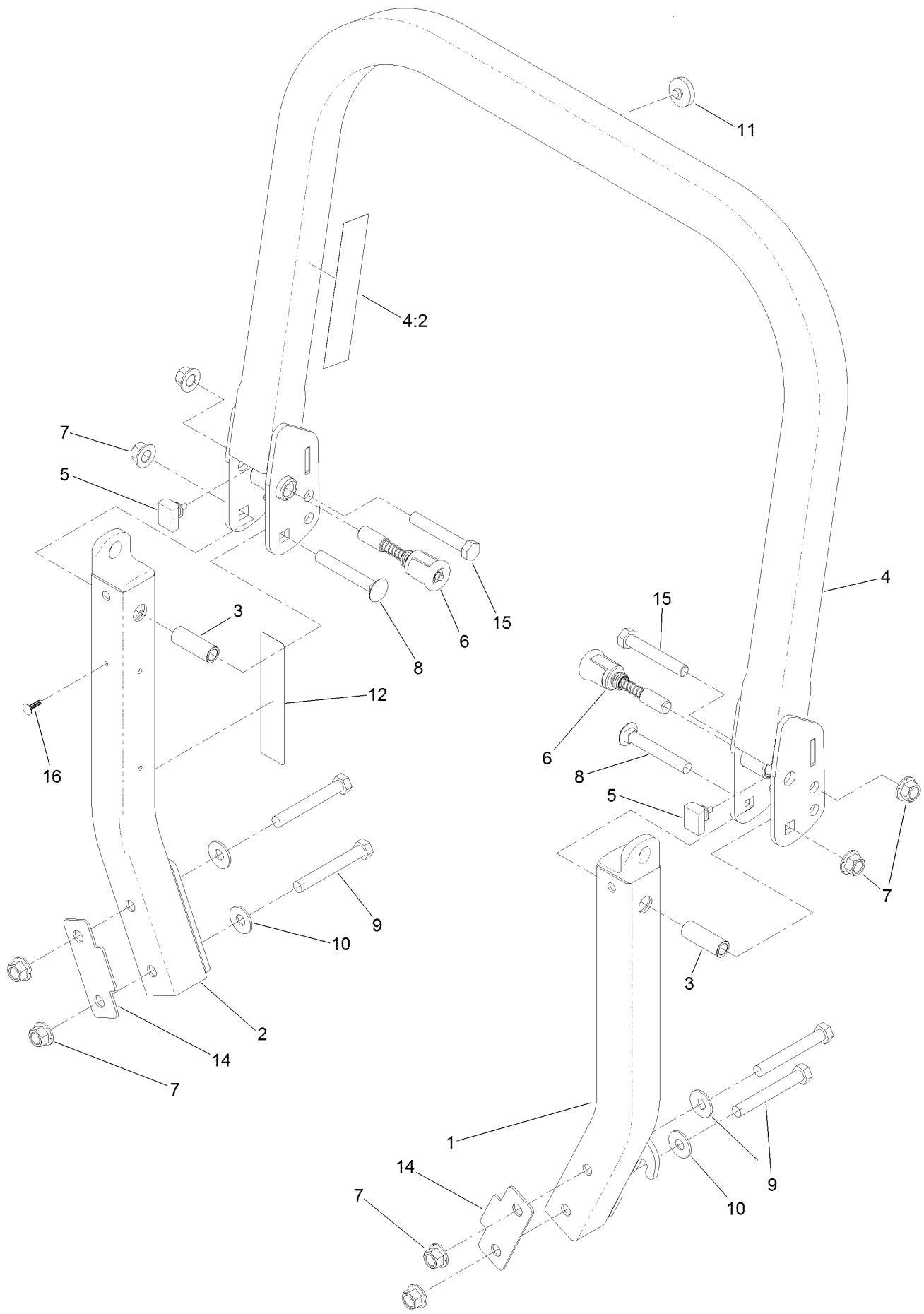
Frame Assembly . . . . .	4
Roll-Over Protection System Assembly No. 116-0231 . . . . .	6
Caster Fork and Wheel Assembly . . . . .	8
Hydraulic Drive Assembly . . . . .	10
Pump Idler Assembly No. 116-1255 . . . . .	12
LH Hydro Assembly No. 135-7903 . . . . .	14
RH Hydro Assembly No. 135-7904 . . . . .	16
Rear Wheel Assembly . . . . .	18
Park Brake Assembly . . . . .	20
Fuel System Assembly . . . . .	22
Fuel Tank Assembly No. 135-0643 . . . . .	24
Seat Mounting Assembly . . . . .	26
Seat Assembly No. 140-8003 . . . . .	28
Motion Control Assembly . . . . .	30
Control Console Assembly . . . . .	32
Electrical Assembly . . . . .	34
Wire Harness Assembly No. 135-5753 . . . . .	36
Deck Lift Assembly . . . . .	38
Height-of-Cut Assembly No. 109-7438 . . . . .	40
Engine, Clutch and Muffler Assembly . . . . .	42
Deck Assembly . . . . .	44
Deck Decal Assembly No. 140-1169 . . . . .	46
Rubber Deflector Assembly No. 108-2792 . . . . .	48
Idler Arm Assembly . . . . .	50
Frame Decal Assembly . . . . .	52
Attachments and Accessories . . . . .	54



## Frame Assembly (continued)

<i>Ref.</i>	<i>Part Number</i>	<i>Qty.</i>	<i>Description</i>	<i>Ref.</i>	<i>Part Number</i>	<i>Qty.</i>	<i>Description</i>
1	142-7265	1	Mainframe Service ASM - 60	6:2	106-5517	1	Decal-Warning
1:2	132-0871	1	Decal-Danger	7	116-0057-03	1	Bumper-RH
1:3	106-5517	2	Decal-Warning	8	104-8301	15	Nut-HF, NI
1:4	106-2655	2	Decal-Hazard, Pinched Finger	9	3231-22	9	Screw-CARR
1:5	133-8062	1	Decal-Arrestor, Spark	10	3231-21	4	Screw-CARR
1:6	142-6404-01	1	Battery Mount ASM [red]	11	116-5899	1	RH Motion Control Cover ASM
1:7	3231-22	2	Screw-CARR	11:2	99-8936	1	Decal-Control, Motion
1:8	3231-25	2	Bolt-CARR	11:3	116-5988	1	Decal-Park Brake, CE
1:9	104-8301	4	Nut-HF, NI	12	116-0580	1	LH Motion Control Cover ASM
2	115-7410	1	Rear Guard ASM	12:2	99-8936	1	Decal-Control, Motion
2:2	67-7320	1	Decal	13	126-2067-03	1	Guard-Muffler
3	116-8898-01	1	Floorpan	14	68-3640	1	Decal
4	1-513658	2	Bumper	15	32144-10	4	Screw-HWH
5	1-811010	2	Plug	20	107-3154	2	Nut-Push
6	116-0180	1	LH Bumper ASM	22	1-543508	4	Cup-Bearing

# Roll-Over Protection System Assembly No. 116-0231



# Roll-Over Protection System Assembly No. 116-0231 (continued)

<i>Ref.</i>	<i>Part Number</i>	<i>Qty.</i>	<i>Description</i>	<i>Ref.</i>	<i>Part Number</i>	<i>Qty.</i>	<i>Description</i>
1		1	Leg-ROPS, LH ●	8	3233-10	2	Screw-CARR
2		1	Leg-ROPS, RH ●	9	325-35	4	Screw-HH
3	109-6653	2	Spacer	10	109-9505	4	Washer-Spring
4		1	Upper ROPS ASM ●	11	109-9233	1	Bumper-Push-In, Rubber
4:2	107-3069	1	Decal-Warning	12	117-0346	1	Decal-Caution, Fuel Vent
5	109-5337	2	Bumper-ROPS	14	116-0960	2	Spacer
6	116-0104	2	Pin-Spring	15	325-13	2	Screw-HH
7	99-5107	8	Nut-Lock	16	125-8067	1	Plug-Plastic

● Not serviced separately

# Caster Fork and Wheel Assembly





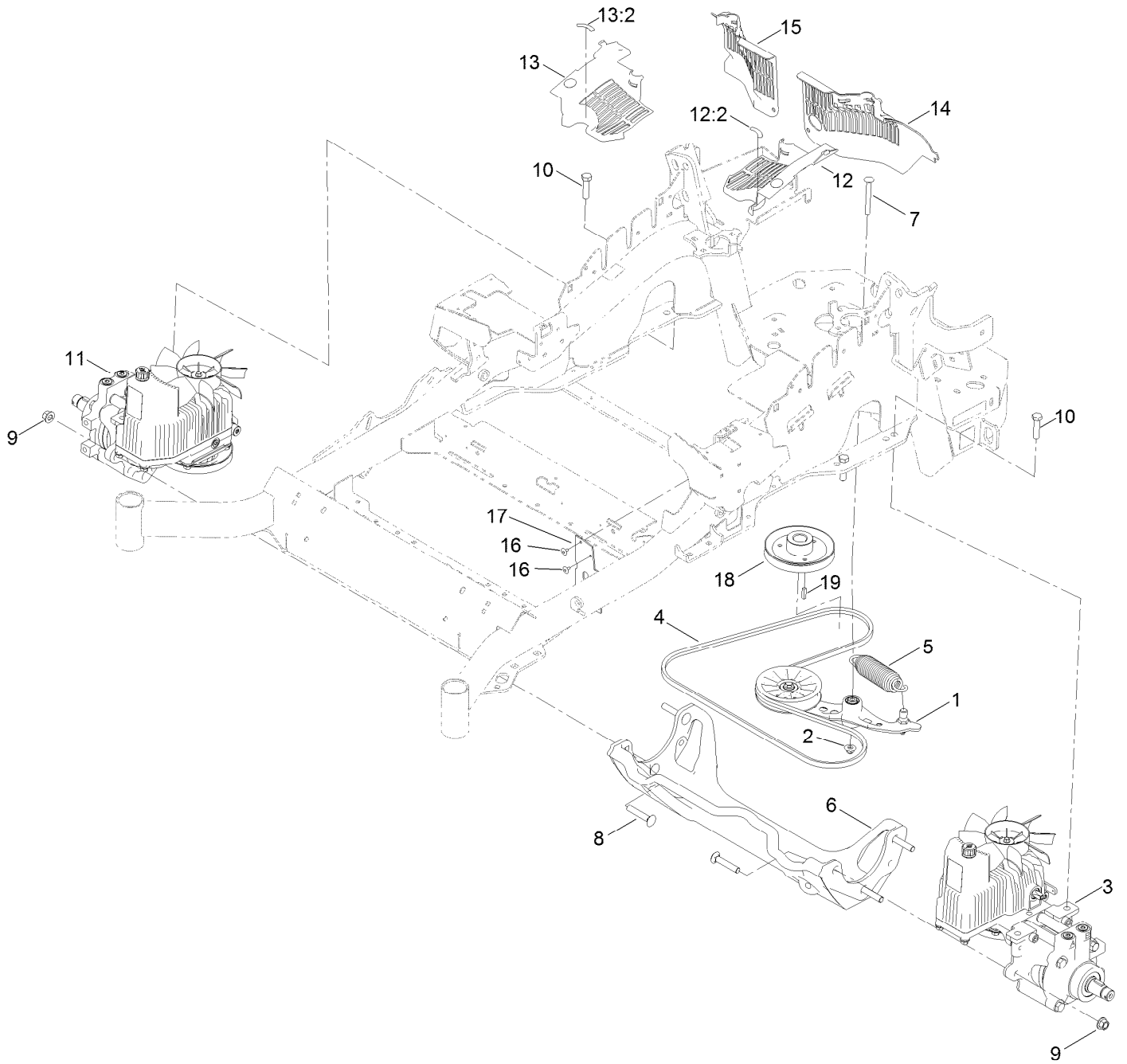
## Caster Fork and Wheel Assembly (continued)

<i>Ref.</i>	<i>Part Number</i>	<i>Qty.</i>	<i>Description</i>	<i>Ref.</i>	<i>Part Number</i>	<i>Qty.</i>	<i>Description</i>
1	1-543509	2	Bearing-Roller, Tapered	5:2:3	103-3051	1	Spacer-Nut ■
2	116-5647	1	Seal-Grease	5:2:4	126-5361	1	Axle Caster ASM
3	1-633508	3	Washer-Bellville	5:2:5		1	Wheel And Tire ASM ●
4	116-6707-01	1	Caster	5:2:5:1	1-633584	2	Bearing-Cup
5	127-9528	1	Wheel And Axle ASM	5:3	325-39	1	Screw-HH
5:1	103-2768	2	Guard-Seal	5:4	3296-23	1	Nut-Lock, NI
5:2		1	Wheel And Bearing ASM ●	6	103-4882	1	Cap-Grease
5:2:1	1-633585	2	Bearing-Cone, Taper	7	3296-51	1	Nut-Lock, NI
5:2:2	103-0063	2	Seal-Caster				

● Not serviced separately

■ Use Pro-Lock, Nut Type (P/N 1-840022, .5ml tube) on threads.

# Hydraulic Drive Assembly



## Hydraulic Drive Assembly (continued)

<i>Ref.</i>	<i>Part Number</i>	<i>Qty.</i>	<i>Description</i>	<i>Ref.</i>	<i>Part Number</i>	<i>Qty.</i>	<i>Description</i>
1	116-1255	1	Pump Idler ASM	13	116-0171	1	RH Hydro Guard ASM
2	109-6658	1	Nut-Flange, NI	13:2	116-8726	1	Decal-Oil, Hydro
3	135-7903	1	Hydro-LH	14	109-9057	1	Guard-Hydro, Rear (LH)
4	126-9835	1	Belt-V	15	109-9058	1	Guard-Hydro, Rear (RH)
5	116-6317	1	Spring-Extension	16	1-803035	2	Rivet-Pop
6	116-7558	1	Cradle-Hydro	17	116-2362	1	Deflector-Air Flow
7	116-1502	1	Bolt-Shoulder, Carriage	18	142-9445	1	Sheave, W/Hub
8	126-0095	6	Screw-CARR	19	1-807259	1	Key
9	99-5107	6	Nut-Lock	99	114-4713	1	Hypr-Oil 500 (Quart) ●
10	325-8	4	Screw-HH	99	114-4714	1	Hypr-Oil 500 (Gallon) ●
11	135-7904	1	Hydro-RH	99	114-4715	1	Hypr-Oil 500-5 (5 Gallon) ●
12	116-0170	1	LH Hydro Guard ASM	99	117-0390	1	Filter-Hydro ●
12:2	116-8726	1	Decal-Oil, Hydro				

● Not illustrated

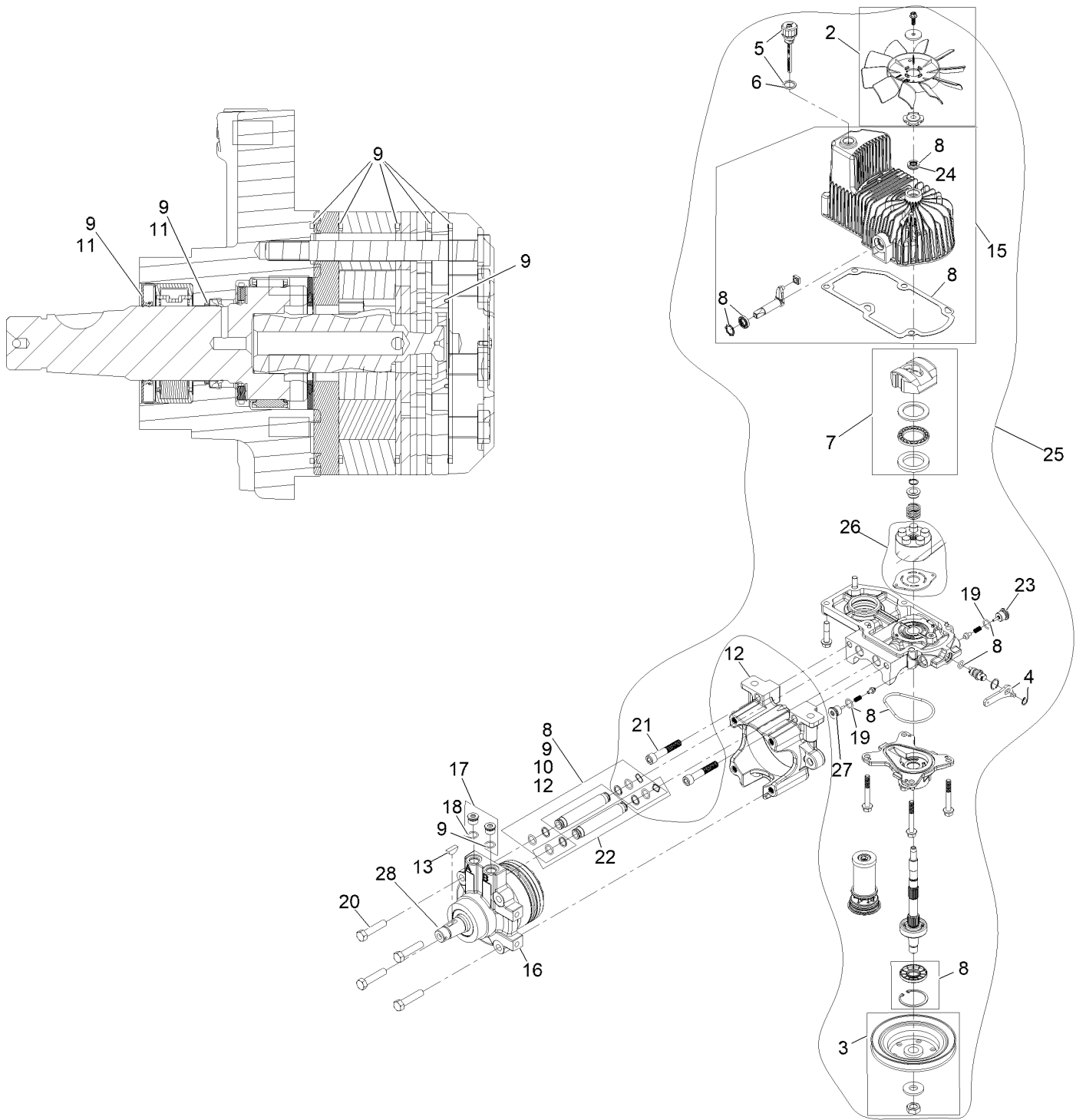
# Pump Idler Assembly No. 116-1255



## Pump Idler Assembly No. 116-1255 (continued)

<i>Ref.</i>	<i>Part Number</i>	<i>Qty.</i>	<i>Description</i>	<i>Ref.</i>	<i>Part Number</i>	<i>Qty.</i>	<i>Description</i>
2	43-0940	1	Spacer	8	323-8	1	Screw-HH
3	103-3504	2	Bearing-Spherical	9	32120-10	2	Ring-Snap
4	103-3505	1	Seal-Lip, Double	10	302-19	1	Fitting-Grease
5	103-3506	1	Seal-Lip, Single	11	109-8076	1	Pulley-Idler
6	109-6658	1	Nut-Flange, NI	12	132-4724	1	Pin-Anchor, Spring
7	106-7159	2	O-Ring				

# LH Hydro Assembly No. 135-7903

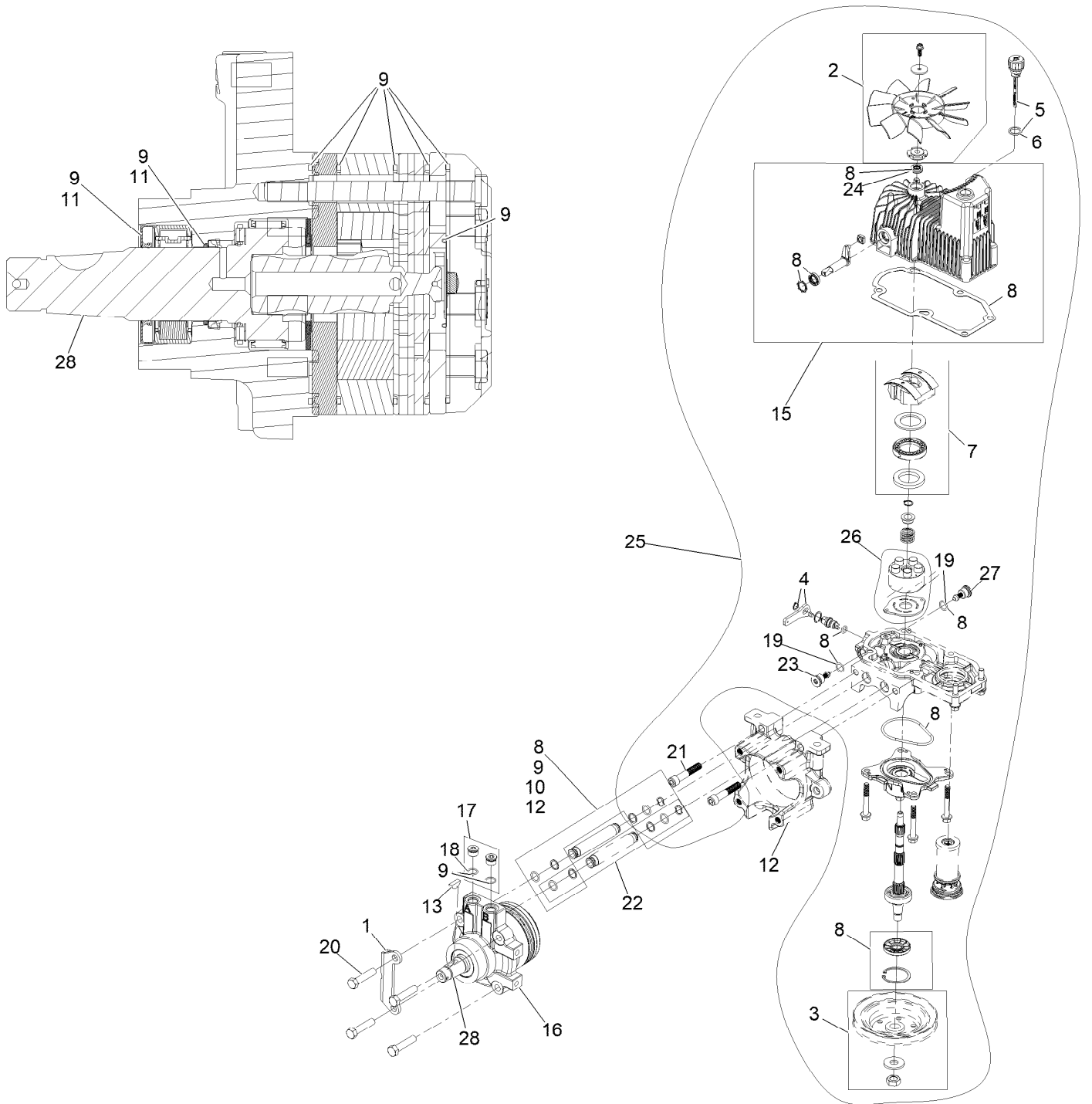


## LH Hydro Assembly No. 135-7903 (continued)

<i>Ref.</i>	<i>Part Number</i>	<i>Qty.</i>	<i>Description</i>	<i>Ref.</i>	<i>Part Number</i>	<i>Qty.</i>	<i>Description</i>
2	142-3603	1	Kit, 7.8 In Fan	18	76-1900	2	O-Ring
3	116-0234	1	Pulley Kit	19	116-8662	2	O-Ring-Valve, Check
4	116-0235	1	Handle	20	116-8974	4	Screw-HH 1/2-20 X 2 1/4
5	116-0236	1	Dipstick	21	116-8975	2	Screw-HSH 1/2-20 X 2 3/4
6	116-0237	1	Gasket	22	116-9922	2	Hydraulic Tube Kit
7	116-1367	1	Swash Block Kit	23	126-7466	1	Valve-Shock
8	142-3604	1	Kit, Pump Seal	24	126-7711	1	Seal-Drive, Fan
9	116-1369	1	Motor Seal Kit	25	142-3609	1	Kit, Pump Section 12Cc LH
10	116-1370	1	Tube Seal Kit	26	142-4500	1	Kit - 12Cc Port Plate, Rotate Grp
11	116-1371	1	Output Shaft Seal Kit	27	142-4459	1	Shock Valve Orificed 3800
12	116-5469	1	Cup-Nose	28	146-3749	1	Output Shaft- TI Uht Motor
13	3257-42	1	Key-Woodruff 5/16 X 1	99	116-1373	1	Flow Test Kit ●
15	142-4460	1	Kit, Housing-Hydro LH	99	116-4245	1	Puller-Pulley ●
16	116-8915	1	Motor-Hydraulic				
17	116-7901	1	Magnetic Plugs Service Kit				

● Not illustrated

# RH Hydro Assembly No. 135-7904



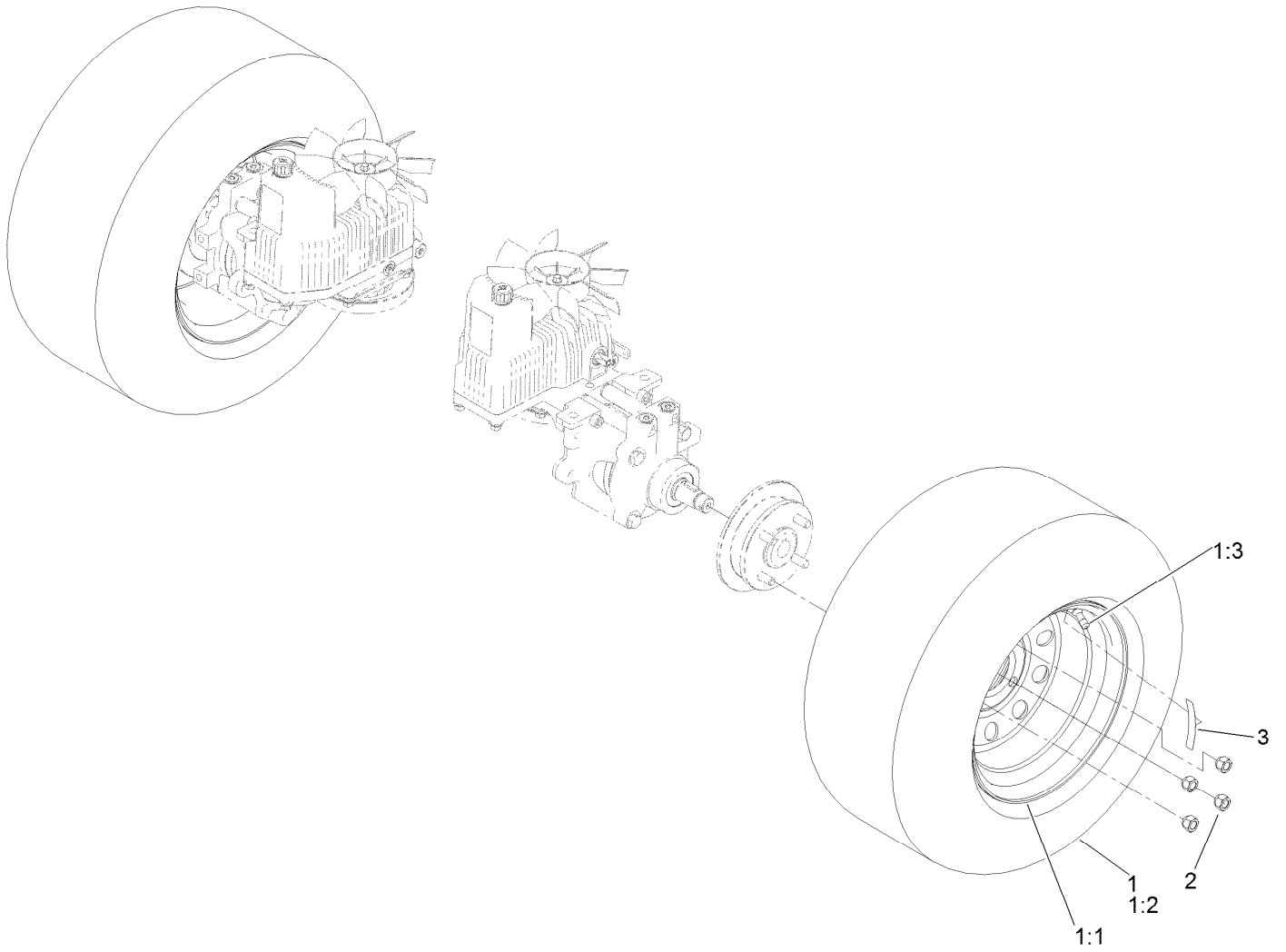


## RH Hydro Assembly No. 135-7904 (continued)

<i>Ref.</i>	<i>Part Number</i>	<i>Qty.</i>	<i>Description</i>	<i>Ref.</i>	<i>Part Number</i>	<i>Qty.</i>	<i>Description</i>
1	135-7827	1	Plate, Horse Shoe Mount	17	116-7901	1	Magnetic Plugs Service Kit
2	142-3603	1	Kit, 7.8 In Fan	18	76-1900	2	O-Ring
3	116-0234	1	Pulley Kit	19	116-8662	2	O-Ring-Valve, Check
4	116-0235	1	Handle	20	116-8974	4	Screw-HH 1/2-20 X 2 1/4
5	116-0236	1	Dipstick	21	116-8975	2	Screw-HSH 1/2-20 X 2 3/4
6	116-0237	1	Gasket	22	116-9922	2	Hydraulic Tube Kit
7	116-1367	1	Swash Block Kit	23	126-7466	1	Valve-Shock
8	142-3604	1	Kit, Pump Seal	24	126-7711	1	Seal-Drive, Fan
9	116-1369	1	Motor Seal Kit	25	142-3608	1	Kit, Pump Section 12Cc RH
10	116-1370	1	Tube Seal Kit	26	142-4500	1	Kit - 12Cc Port Plate, Rotate Grp
11	116-1371	1	Output Shaft Seal Kit				
12	116-5469	1	Cup-Nose	27	142-4459	1	Shock Valve Orificed 3800
13	3257-42	1	Key-Woodruff 5/16 X 1	28	146-3749	1	Output Shaft- TI Uht Motor
15	142-4461	1	Kit, Housing-Hydro RH	99	116-1373	1	Flow Test Kit ●
16	116-8916	1	Motor-Hydraulic RH 240Cc	99	116-4245	1	Puller-Pulley ●

● Not illustrated

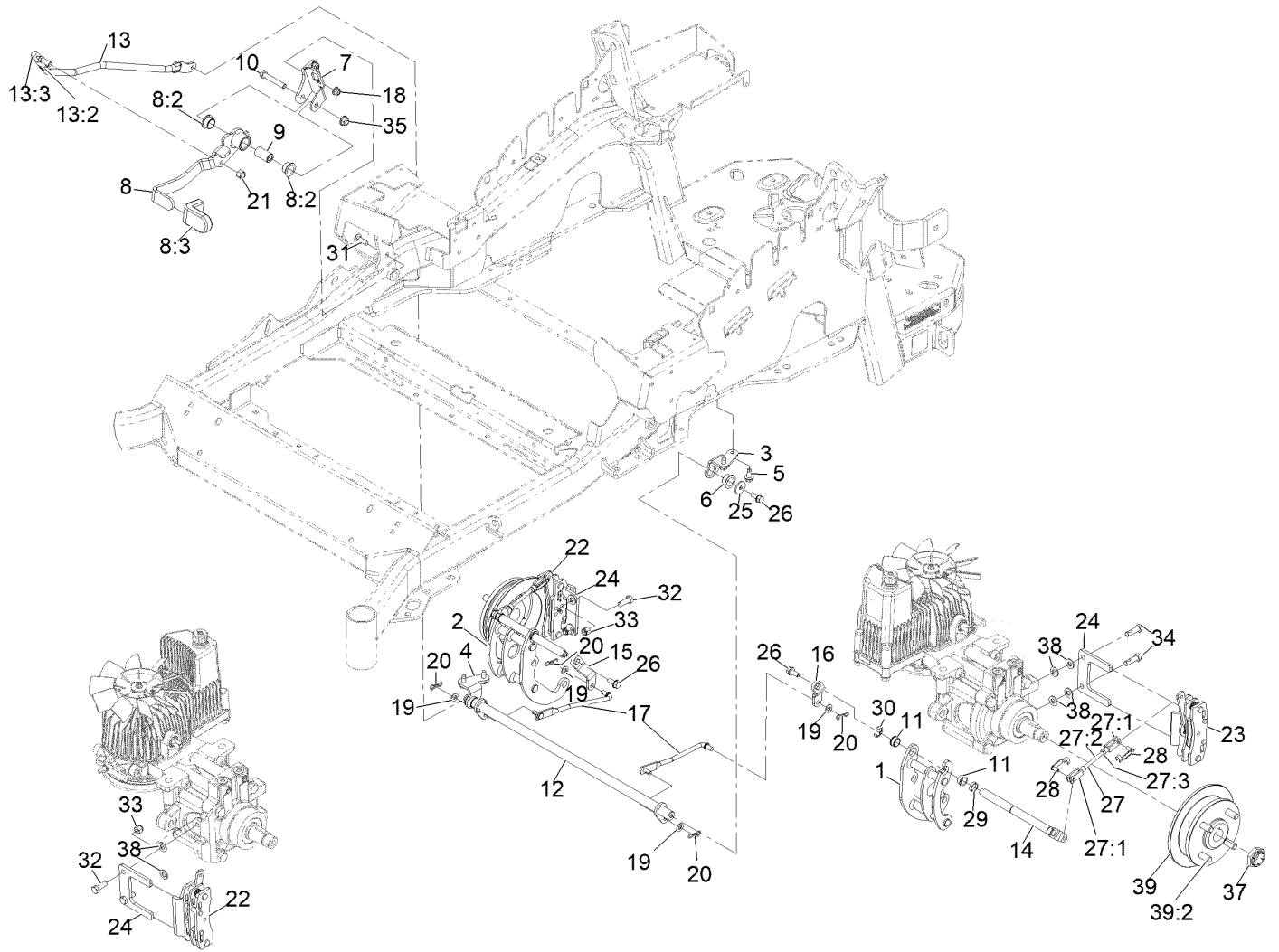
# Rear Wheel Assembly



## Rear Wheel Assembly (continued)

<i>Ref.</i>	<i>Part Number</i>	<i>Qty.</i>	<i>Description</i>	<i>Ref.</i>	<i>Part Number</i>	<i>Qty.</i>	<i>Description</i>
1	127-9520	2	Wheel And Tire ASM	2	242-50	8	Nut-Lug
1:1	127-9517	1	Wheel	3	126-2055	2	Decal-Torque, Wheel Hub Lug
1:2	1-633993	1	Tire				
1:3	232-27	1	Stem-Valve				

# Park Brake Assembly

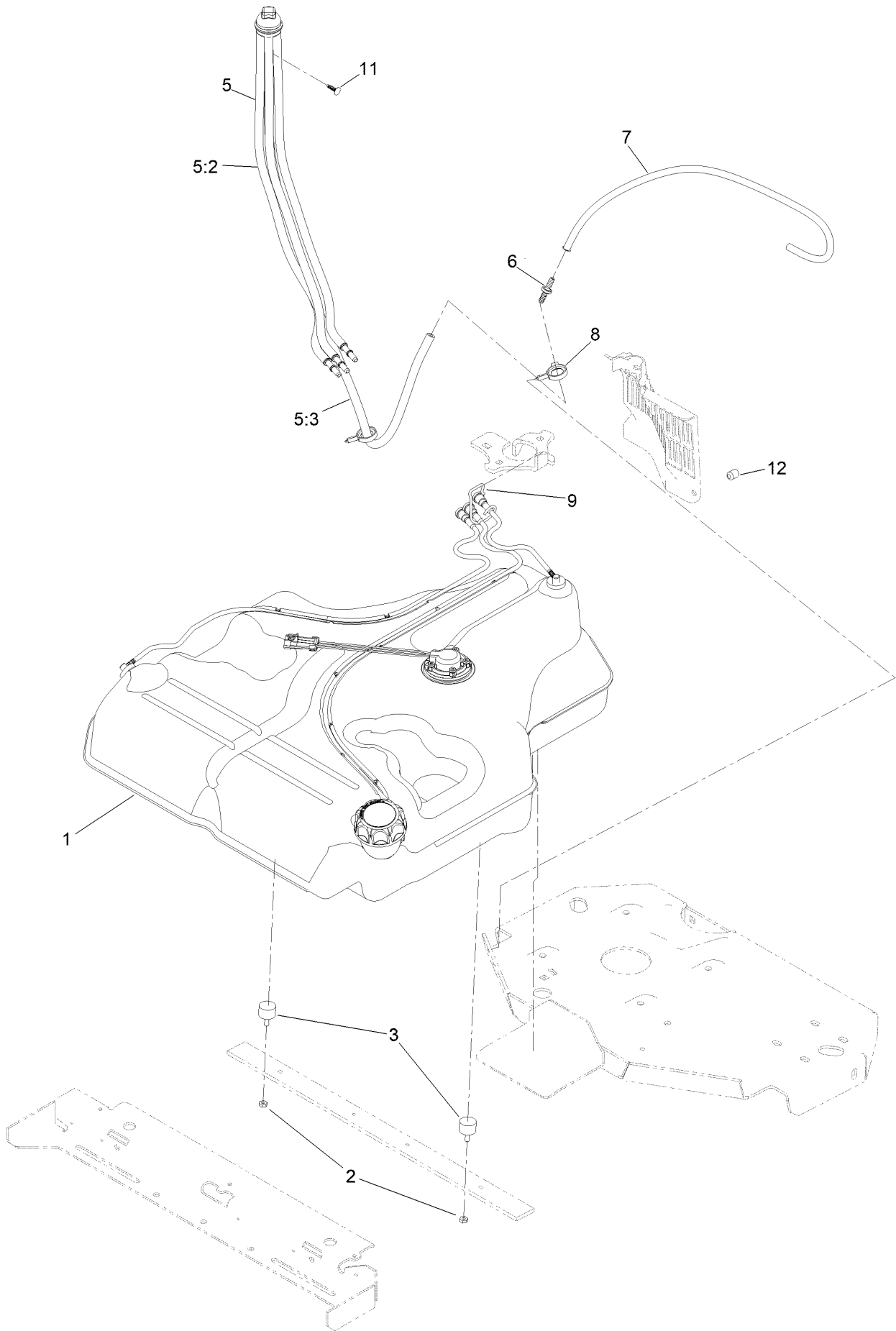


REAR VIEW OF  
RIGHT HAND HYDRO

## Park Brake Assembly (continued)

<i>Ref.</i>	<i>Part Number</i>	<i>Qty.</i>	<i>Description</i>	<i>Ref.</i>	<i>Part Number</i>	<i>Qty.</i>	<i>Description</i>
1	126-4248	1	Mount-Bellcrank, LH	20	119-1415	4	Pin-Cotter, Locking
2	126-4249	1	Mount-Bellcrank, RH	21	3296-6	1	Nut-Nyloc 3/8-24
3	116-9681	1	Mount-Pivot, LH	22	135-7440	1	Caliper-Brake, RH
4	116-9682	1	Mount-Pivot, RH	23	135-7441	1	Caliper-Brake, LH
5	32144-70	4	Screw-HWH 5/16-18 X 3/4 Tf	24	135-7828	2	Plate-Mount, Brake
6	109-8054	2	Bushing-Flanged	25	115-7109	2	Washer-Flat
7	116-9096-01	1	Bracket-Mount	26	98-9940	4	Screw-HHF
8	135-7565	1	Brake Lever ASM	27	126-7587	2	Rear Linkage ASM
8:2	109-8054	2	Bushing-Flanged	27:1	126-7588	2	Yoke
8:3	132-4749	1	Grip-Lever	27:2	116-9069	1	Linkage, Rear
9	116-9117	1	Pivot-Handle, Brake	27:3	3220-1	1	Nut-Jam 1/4-28
10	323-11	1	Screw-HH 3/8-16 X 2 1/4	28	126-6395	4	Pin-Clevis, Spring
11	126-6199	4	Bushing	29	126-6200	2	Spacer
12	135-7800	1	Shaft-Cross	30	32120-19	2	E-Ring
13	135-7805	1	ASM, Front Linkage	31	3230-2	2	Bolt-Carriage 5/16-18 X 1
13:2	94-7572	1	End-Tie Rod, RH	32	135-7915	2	Screw-HH,
13:3	3220-3	1	Nut-Jam 3/8-24	33	112-0236	2	Nut-Lock
14	126-4251	2	Bellcrank	34	135-7890	2	Screw-HH, Patch,
15	126-3716	1	Arm-Inner, RH	35	104-8301	1	Nut-Nyloc 3/8-16 Flg
16	126-3715	1	Arm-Inner, LH	37	116-1399	2	Locknut
17	142-6327	2	Mid-Link, Long	38	3256-24	6	Washer-3/8 SAE
18	104-8300	2	Nut-Nyloc 5/16-18 Flg	39	142-2701	2	Wheel Hub ASM
19	3256-23	4	Washer-5/16 SAE	39:2	116-1696	4	Stud-Wheel

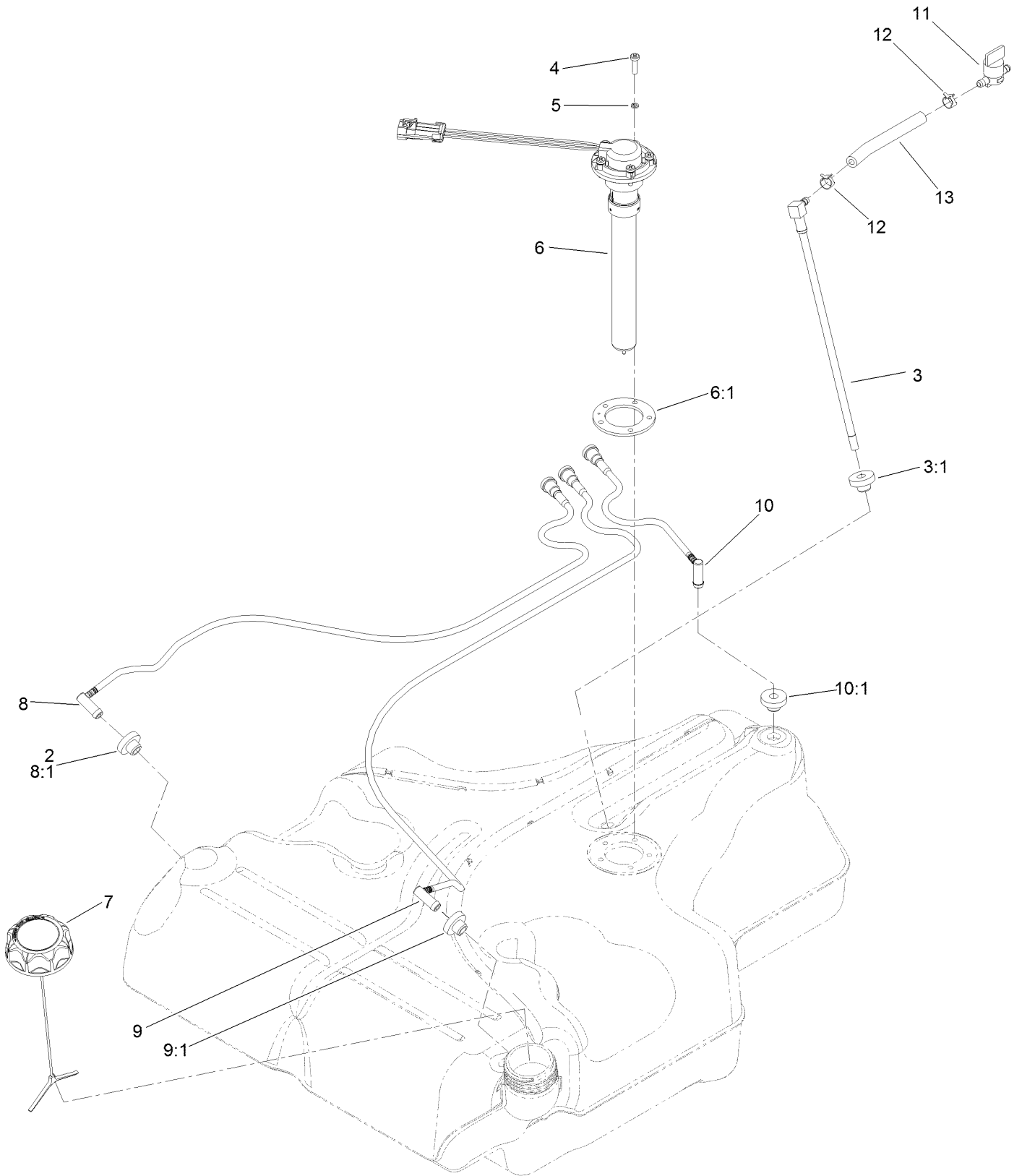
# Fuel System Assembly



## Fuel System Assembly (continued)

<i>Ref.</i>	<i>Part Number</i>	<i>Qty.</i>	<i>Description</i>	<i>Ref.</i>	<i>Part Number</i>	<i>Qty.</i>	<i>Description</i>
1	135-0643	1	Fuel Tank ASM	6	135-5678	1	Barb-Fuel
2	3218-1	2	Nut-Jam	7	119-6074	1	Hose-Fuel
3	1-523420	2	Bumper	8	105-1853	1	Clamp-Hose
5	127-0583	1	Fuel Manifold Vent ASM	9	116-6005	1	Retainer-Line, Vapor
5:2	109-0302	3	Hose-Fuel	11	125-8067	1	Plug-Plastic
5:3	108-5376	1	Hose-Fuel	12	116-4464	1	Plug-Port

# Fuel Tank Assembly No. 135-0643

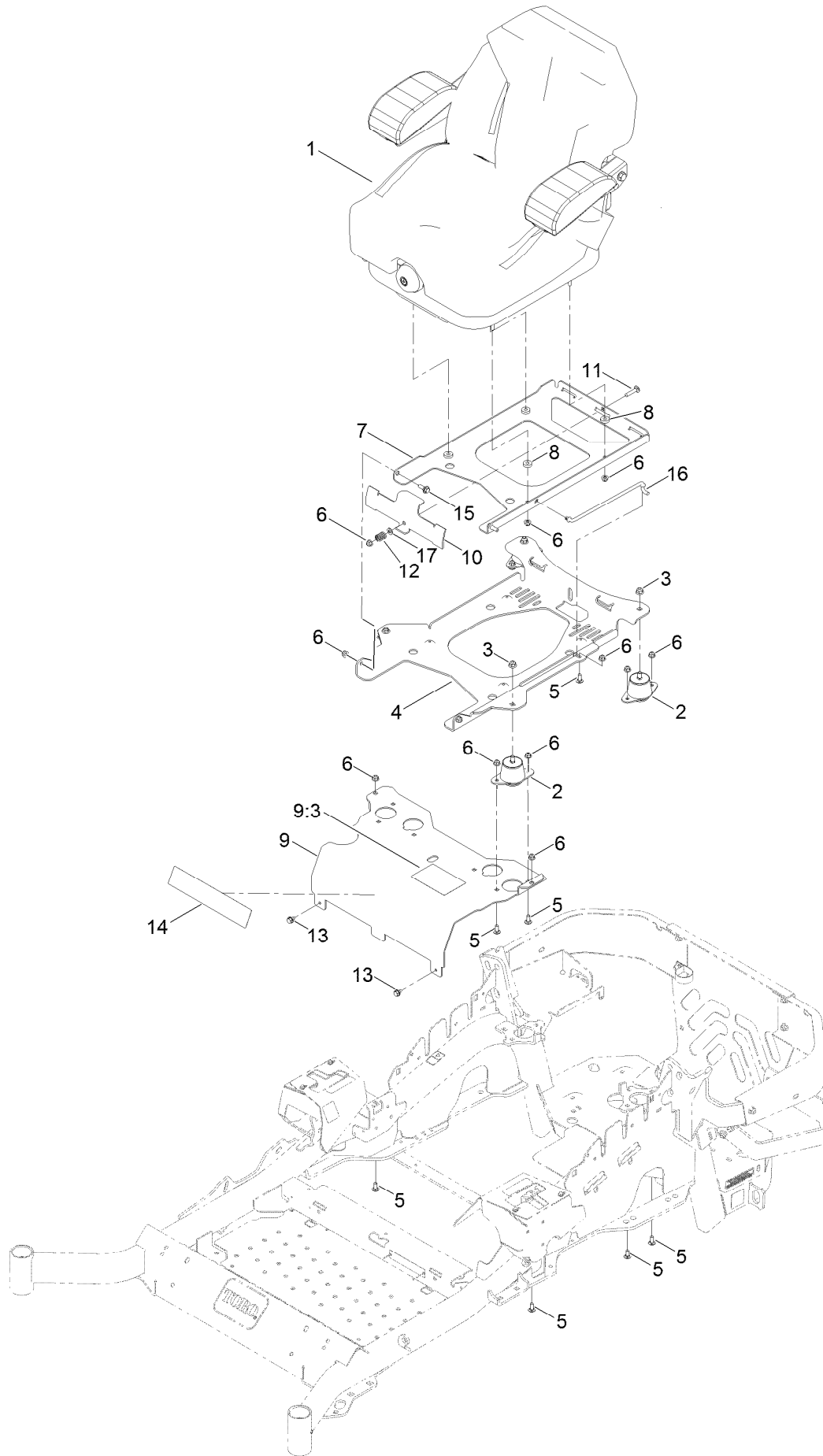




## Fuel Tank Assembly No. 135-0643 (continued)

<i>Ref.</i>	<i>Part Number</i>	<i>Qty.</i>	<i>Description</i>	<i>Ref.</i>	<i>Part Number</i>	<i>Qty.</i>	<i>Description</i>
2	46-6560	4	Bushing	8:1	46-6560	1	Bushing
3	116-2459	1	Fuel Line Kit (With Grommet)	9	116-2461	1	LH Vent Line Kit (With Grommet)
3:1	46-6560	1	Bushing	9:1	46-6560	1	Bushing
4	3290-500	5	Screw-PPH	10	116-2462	1	Rear Vent Line Kit (With Grommet)
5	3253-17	5	Washer-Lock	10:1	46-6560	1	Bushing
6	126-3913	1	Float-Sender, Fuel	11	1-603770	1	Valve-Fuel
6:1	126-3950	1	Gasket-Sender	12	2412-98	2	Clamp-Hose
7	126-1789	1	Cap-Fuel, Ratcheting	13	109-0650	1	Hose-Fuel
8	116-2460	1	RH Vent Line Kit (With Grommet)				

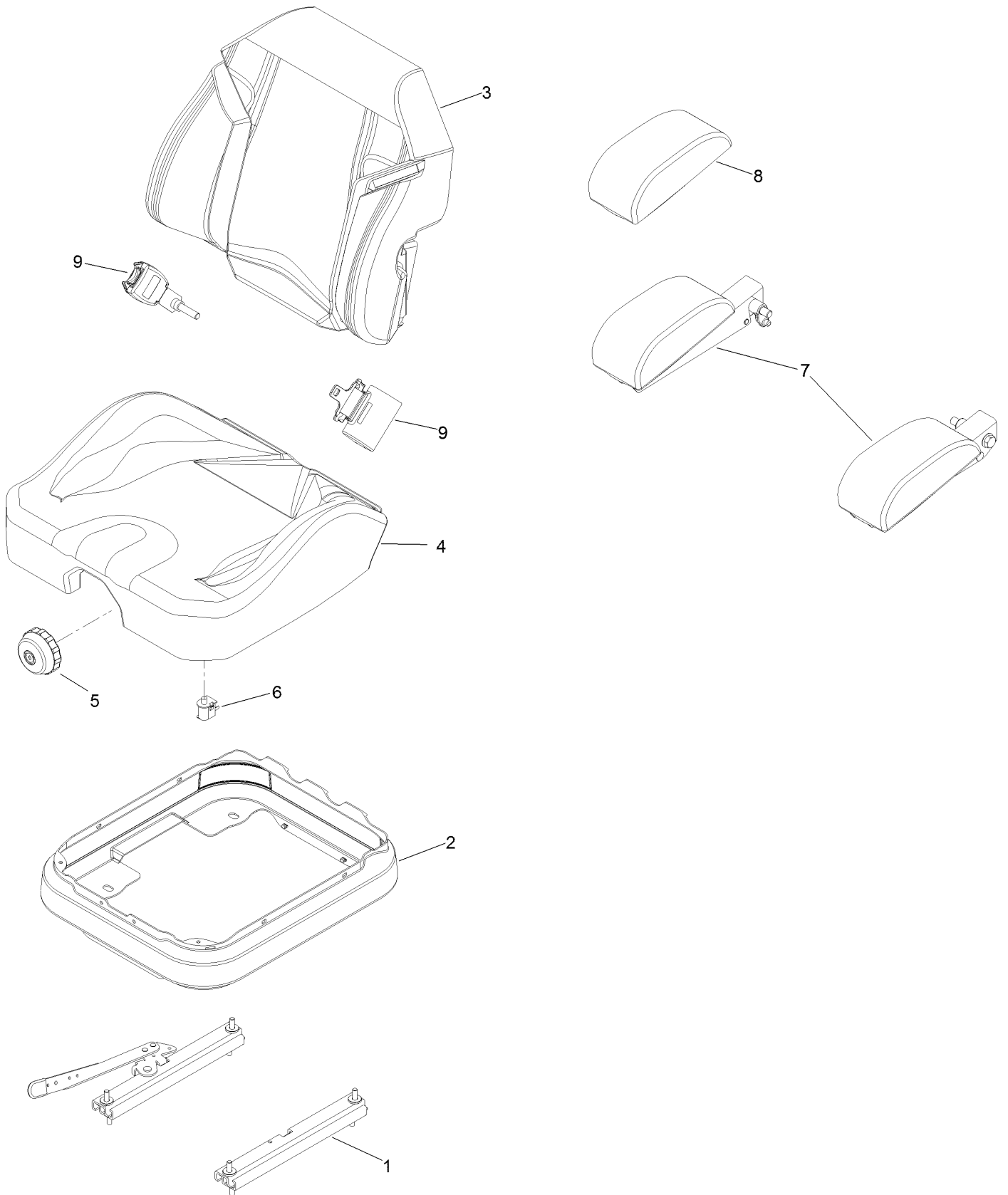
# Seat Mounting Assembly



## Seat Mounting Assembly (continued)

<i>Ref.</i>	<i>Part Number</i>	<i>Qty.</i>	<i>Description</i>	<i>Ref.</i>	<i>Part Number</i>	<i>Qty.</i>	<i>Description</i>
1	140-8003	1	Seat-Suspension	9:3	125-9383	1	Decal-Service Aid
2	109-9034	4	Isolator-Seat	10	109-9881-03	1	Plate-Latch, Seat
3	104-8301	4	Nut-HF, NI	11	3230-4	1	Bolt-CARR
4	116-3860-03	1	Plate-Tilt, Seat Support	12	107-3017	1	Spring-Compression
5	3230-23	11	Bolt-CARR	13	9266934	2	Screw
6	104-8300	18	Nut-HF, NI	14	140-1215	1	Decal-Console
7	116-3859-03	1	Plate-Frame, Seat	15	116-1297	2	Screw-Shoulder
8	26-4840	4	Spacer-Pin, Mounting	16	116-0070	1	Rod-Prop
9	125-9385	1	Seat Mount ASM	17	3256-23	1	Washer-Plain

# Seat Assembly No. 140-8003

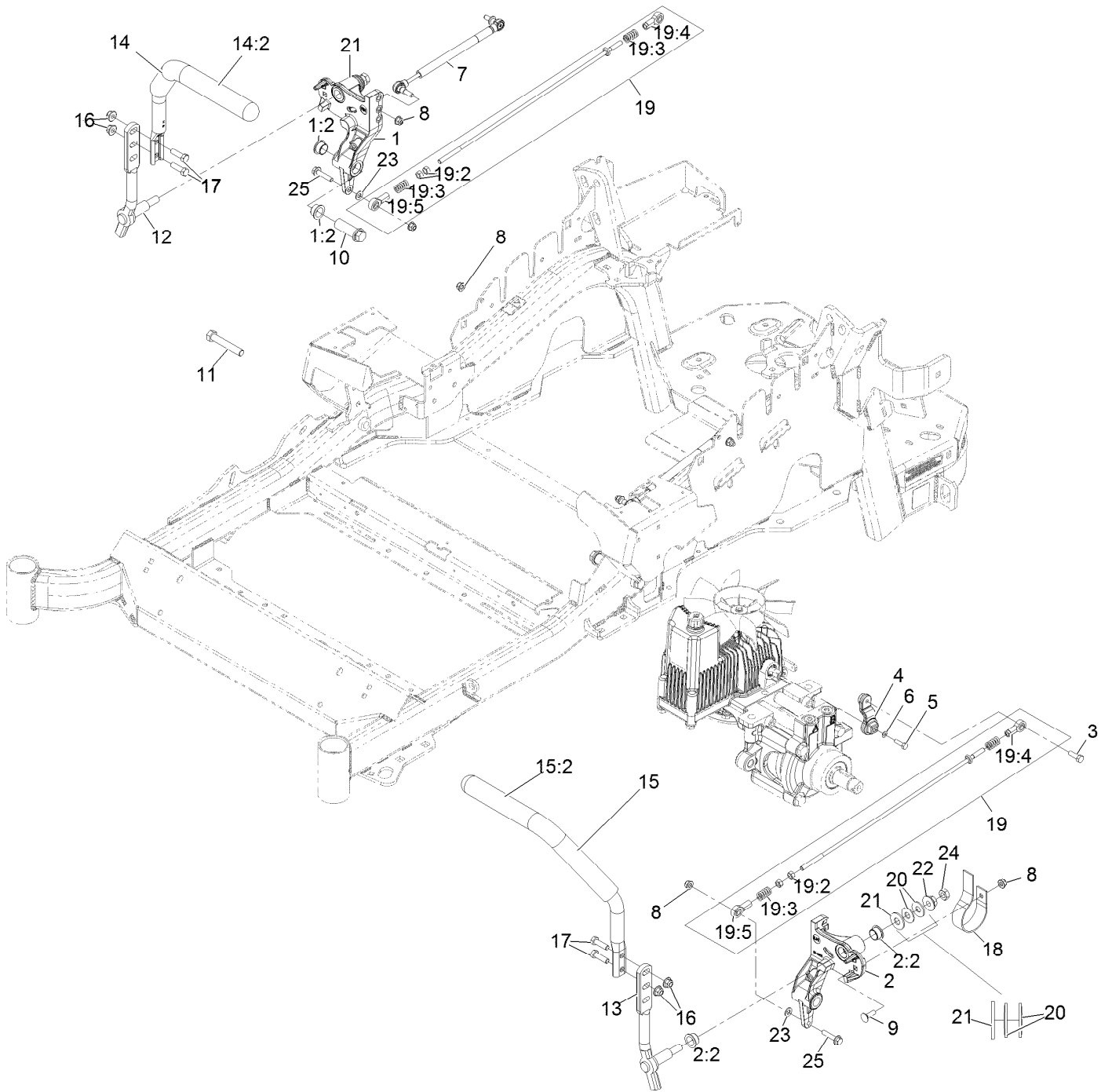


## Seat Assembly No. 140-8003 (continued)

<i>Ref.</i>	<i>Part Number</i>	<i>Qty.</i>	<i>Description</i>
1	140-8012	1	Seat Track Set
2	116-5659	1	Cover-Suspension Bellows
3	140-8004	1	Cover-Back
4	140-8005	1	Cover-Cushion
5	116-8911	1	Knob-Adjuster

<i>Ref.</i>	<i>Part Number</i>	<i>Qty.</i>	<i>Description</i>
6	82-2190	1	Switch-Bail
7	109-9803	1	Arm Rest Set
8	109-9802	1	Arm Rest Pad Set
9	126-2061	1	Seat Belt Service Kit

# Motion Control Assembly

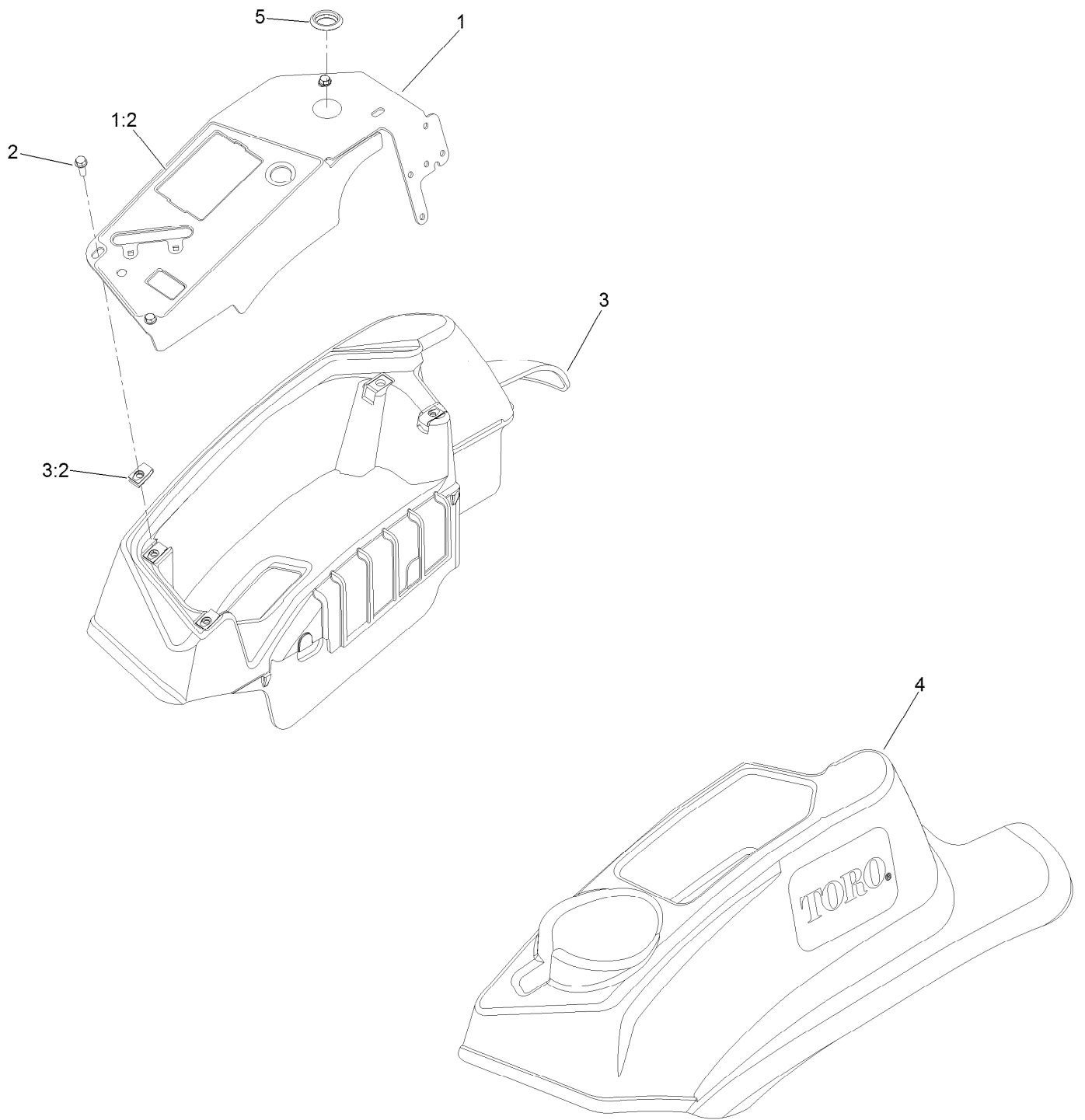


## Motion Control Assembly (continued)

<i>Ref.</i>	<i>Part Number</i>	<i>Qty.</i>	<i>Description</i>	<i>Ref.</i>	<i>Part Number</i>	<i>Qty.</i>	<i>Description</i>
1	116-0880	1	RH Motion Control And Bushing ASM	14	135-4371	1	RH Handle ASM
1:2	109-8054	4	Bushing-Flange	14:2	109-5668	1	Grip-Lever, Control
2	116-0881	1	LH Motion Control And Bushing ASM	15	135-4373	1	LH Handle ASM
2:2	109-8054	4	Bushing-Flange	15:2	109-5668	1	Grip-Lever, Control
3	116-0648	2	Screw-HH, Thread Locking ●	16	104-8301	4	Nut-HF, NI
4	109-4581	2	Arm-Control, Pump	17	323-7	4	Screw-HH
5	9080046	2	Screw-HH ●	18	109-5575	2	Spring-Leaf
6	1-303435	2	Washer-Spring	19	109-8107	2	Pump Linkage Rear ASM
7	116-0027	2	Damper-Control, Motion	19:2	3219-2	2	Nut-Hex
8	104-8300	8	Nut-HF, NI	19:3	1-323245	2	Spring-Compression
9	3230-2	2	Bolt-CARR	19:4	1-633152	1	Balljoint-LH
10	109-5891	2	Hub-Threaded	19:5	1-543017	1	Balljoint-RH
11	325-12	2	Screw-HH	20	109-9505	4	Washer-Spring
12	116-0039	1	Lever-Control Motion, RH	21	3256-6	2	Washer-Flat
13	116-0040	1	Lever-Control Motion, LH	22	32128-56	2	Nut-HF
				23	3256-23	2	Washer-Plain
				24	3218-5	2	Nut-Jam
				25	115-1794	2	Screw-HHF

● Use Pro-Lock, Nut Type (P/N 1-840022, .5ml tube) on threads.

# Control Console Assembly

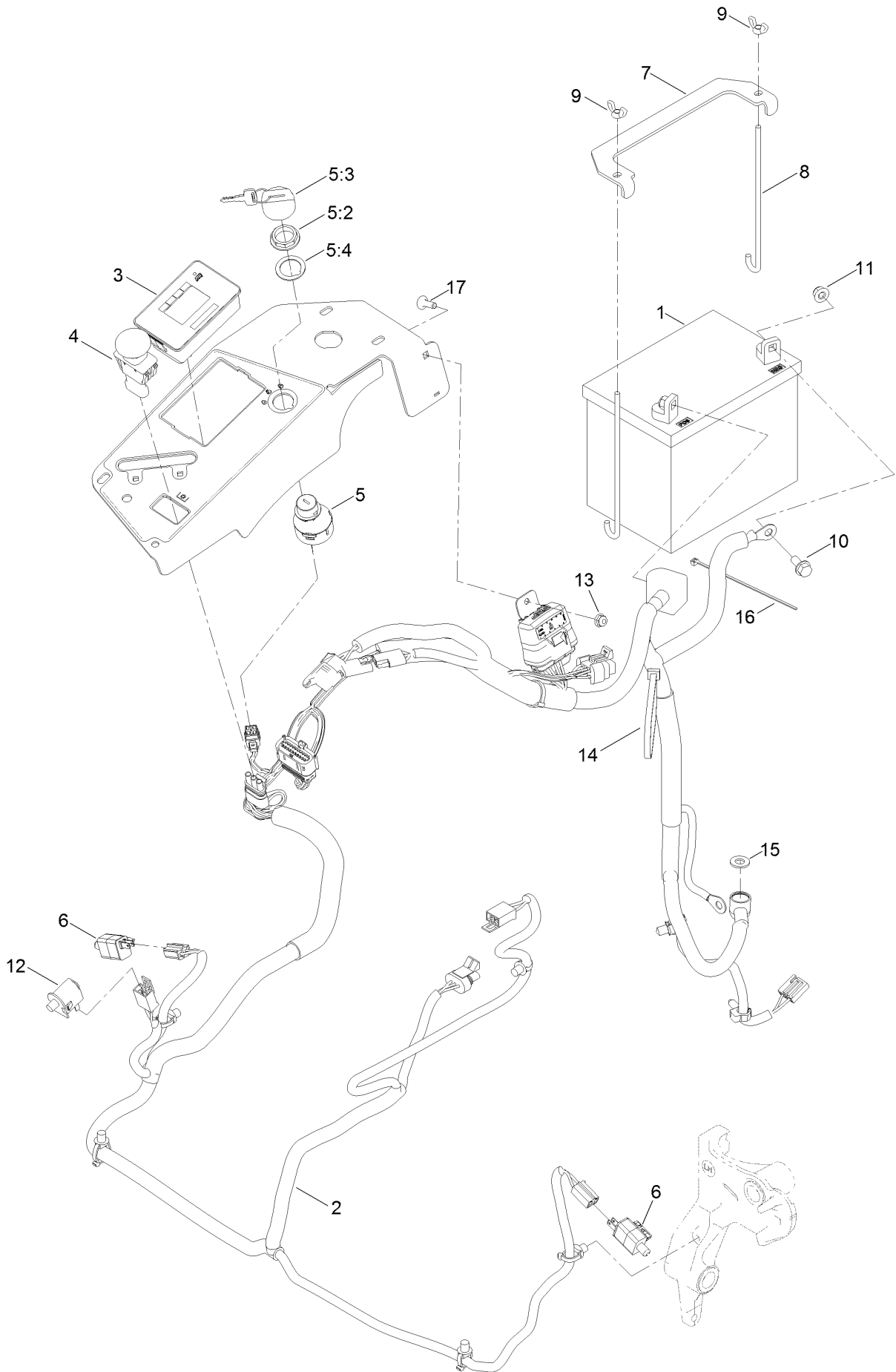




## Control Console Assembly (continued)

<i>Ref.</i>	<i>Part Number</i>	<i>Qty.</i>	<i>Description</i>	<i>Ref.</i>	<i>Part Number</i>	<i>Qty.</i>	<i>Description</i>
1	137-9200	1	Control Panel ASM	3:2	107069	4	Clip
1:2	137-9208	1	Decal-Panel, Control	4	119-2602	1	Console-LH
2	32105-15	4	Screw-HWH	5	116-1875	1	Plug-Plastic
3	119-2603	1	RH Console ASM				

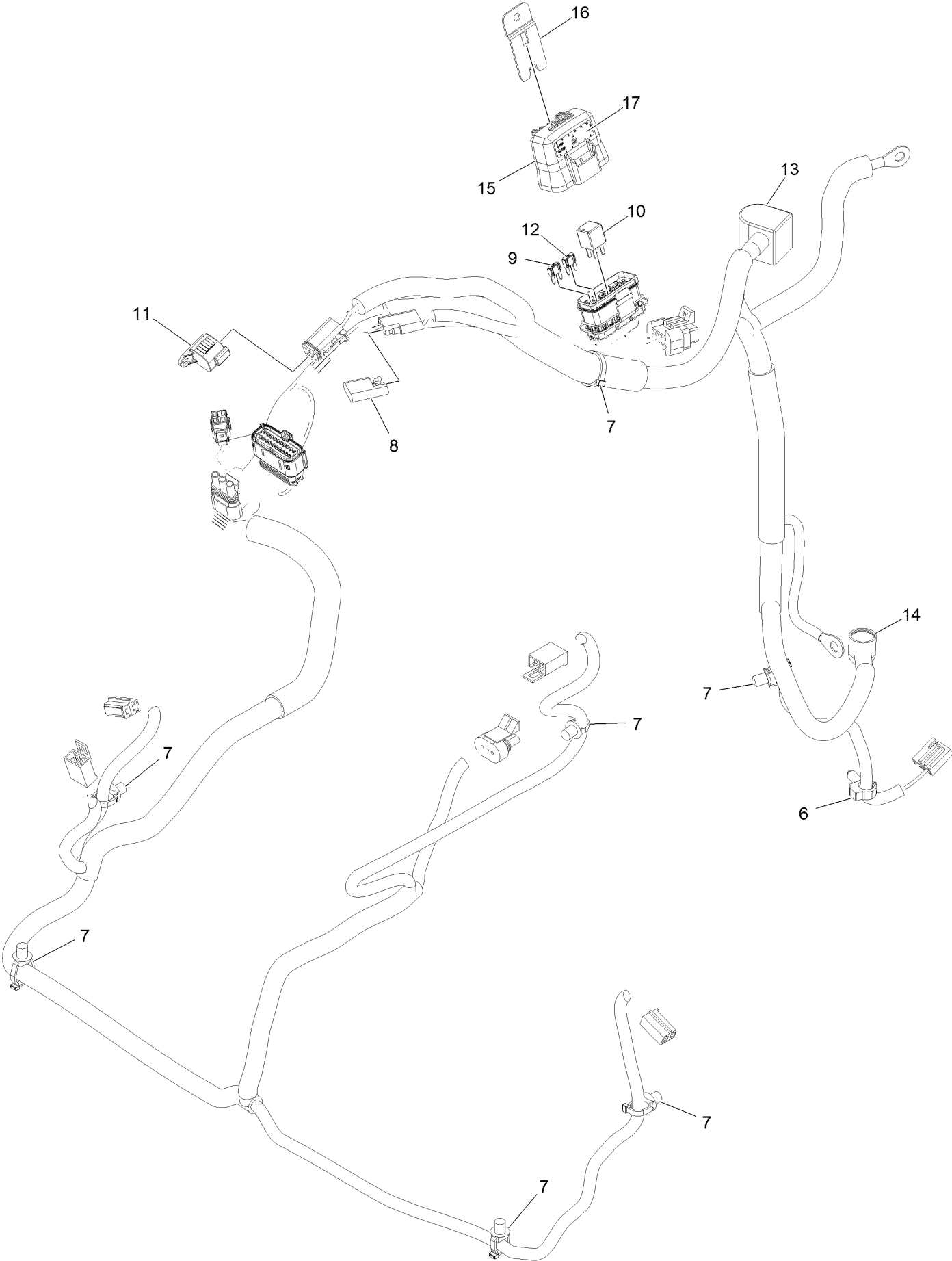
# Electrical Assembly



## Electrical Assembly (continued)

<i>Ref.</i>	<i>Part Number</i>	<i>Qty.</i>	<i>Description</i>	<i>Ref.</i>	<i>Part Number</i>	<i>Qty.</i>	<i>Description</i>
1	104-8162	1	Battery	8	1-633651	2	Bolt-Holddown
2	135-5753	1	Wire Harness ASM	9	1-543792	2	Wingnut
3	135-2471	1	Meter-Hour	10	3234-5	2	Screw-HHF
4	126-6187	1	Switch-PTO, Sealed	11	104-8300	2	Nut-HF, NI
5	126-6285	1	Ignition Switch ASM	12	82-2190	1	Switch-Bail
5:2	108-8660	1	Nut-Mounting	13	104-7201	1	Nut-HF, NI
5:3	106-5270	1	Ignition Key Set	14	3290-378	1	Tie-Cable
5:4	108-8659	1	Washer-Backup	15	3256-24	1	Washer-Plain
6	110-6765	2	Switch	16	1-303287	1	Tie-Cable
7	116-0042-03	1	Strap-Tie Down, Battery	17	1-807512	1	Bolt-CARR

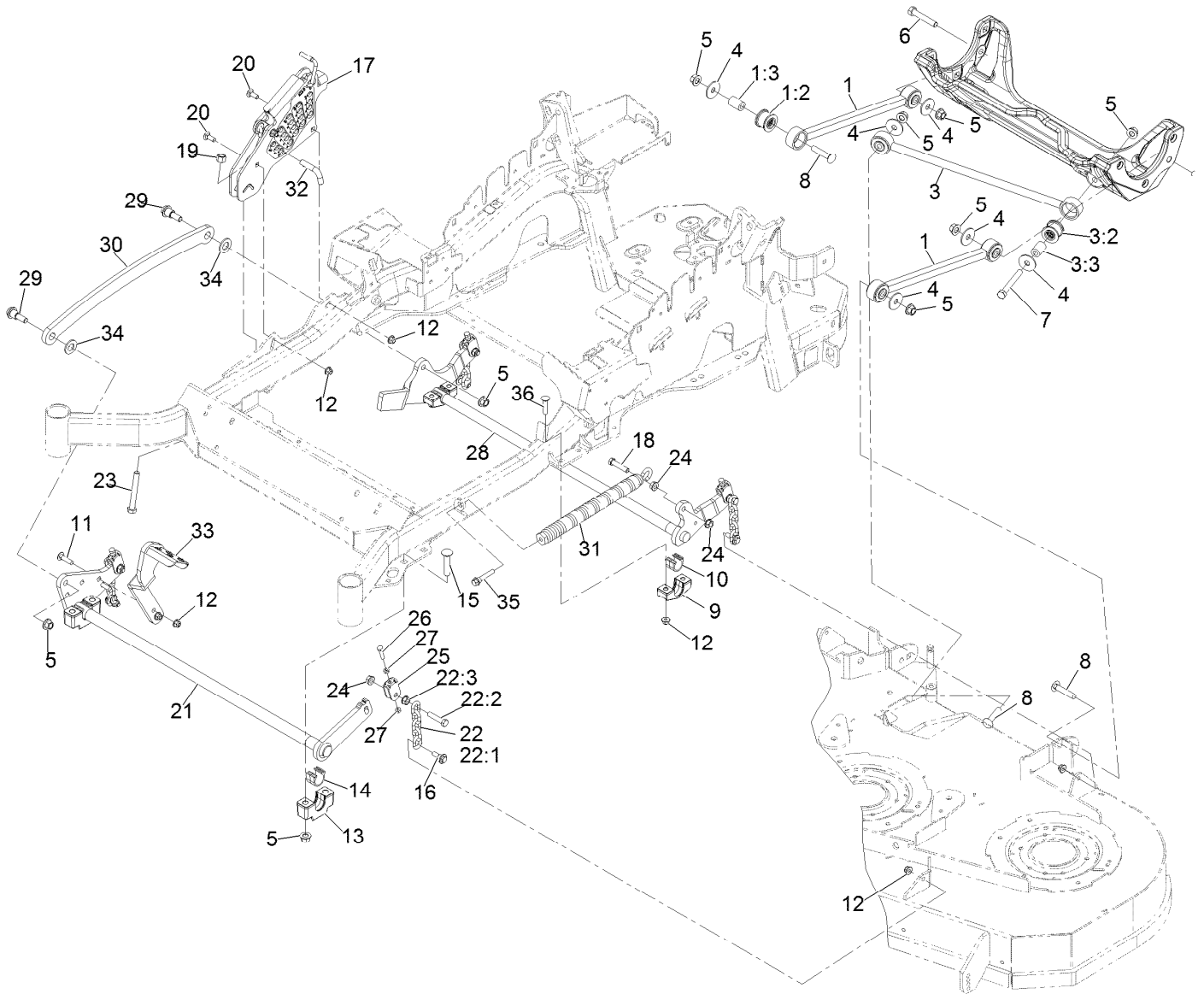
# Wire Harness Assembly No. 135-5753



## Wire Harness Assembly No. 135-5753 (continued)

<i>Ref.</i>	<i>Part Number</i>	<i>Qty.</i>	<i>Description</i>	<i>Ref.</i>	<i>Part Number</i>	<i>Qty.</i>	<i>Description</i>
6	32180-037	1	Clip-Harness	12	121-8867	1	Fuse-Mini Blade, 15 Amp
7	32180-030	7	Clip-Tie	13	126-8876	1	Insulator-Battery
8	32180-197	1	Cap-Plug	14	1-543393	1	Insulator-Solenoid
9	121-8868	1	Fuse-Mini Blade, 20 Amp	15	32180-176	1	Cover-Block, Fuse
10	126-3991	1	Relay-Micro	16	32180-177	1	Clip-Mounting
11	32180-156	1	Cap-Plug, 6 Way	17	126-7875	1	Decal-Fuse

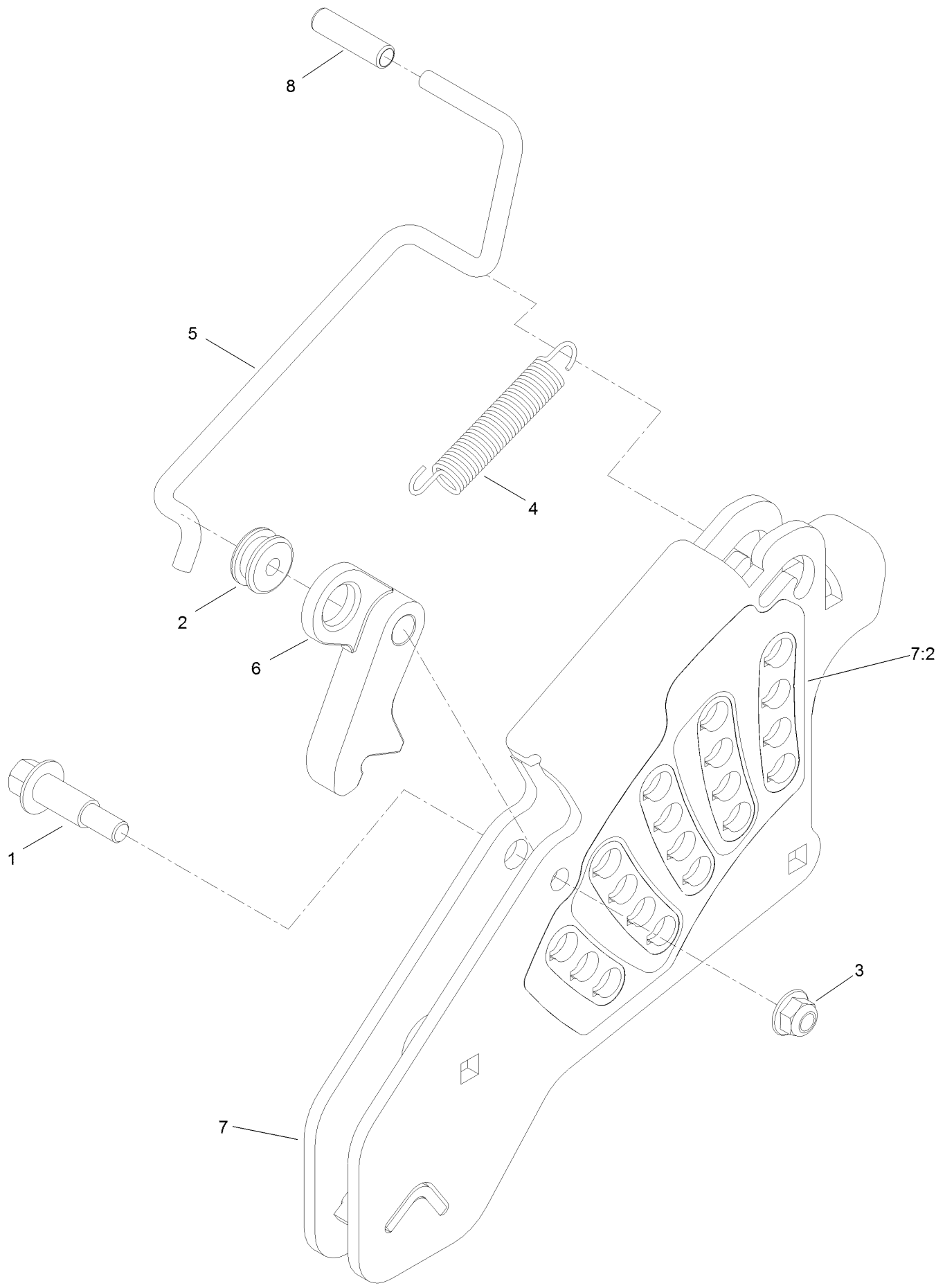
# Deck Lift Assembly



## Deck Lift Assembly (continued)

<i>Ref.</i>	<i>Part Number</i>	<i>Qty.</i>	<i>Description</i>	<i>Ref.</i>	<i>Part Number</i>	<i>Qty.</i>	<i>Description</i>
1	116-2031	2	Long Strut ASM	17	109-7438	1	HOC ASM
1:2	109-5009	2	Bushing-Suspension, Rubber	18	109-9065	1	Screw-HH
1:3	109-5010	2	Spacer	19	3296-23	1	Nut-Lock, NI
3	109-5013	1	Panhard Rod ASM	20	3231-2	2	Bolt-CARR
3:2	109-5009	2	Bushing-Suspension, Rubber	21	126-2475-03	1	Decklift-Front
3:3	109-5010	2	Spacer	22	116-0756	4	Deck Lift Chain ASM
4	86-1990	6	Washer-Thrust	22:1	1-633447	1	Chain-Lift, Deck
5	99-5107	12	Nut-Lock	22:2	109-9065	1	Screw-HH
6	325-12	2	Screw-HH	22:3	32128-37	1	Nut-HF
7	325-17	1	Screw-HH	23	116-0559	1	Bolt-TAP
8	3233-34	3	Screw-CARR	24	32128-37	6	Nut-HF
9	127-0553	2	Support-Bearing, Cross Shaft (Rear)	25	109-9066	4	Yoke-Adjust, Deck
10	109-7173	2	Bearing-Cross Shaft, Rear	26	322-47	4	Screw-HH
11	3231-4	2	Screw-CARR	27	3218-2	8	Nut-Hex Jam
12	104-8301	12	Nut-HF, NI	28	116-0459-03	1	Lift-Deck, Rear
13	109-9409	2	Support-Bearing, Cross Shaft (Front)	29	116-0780	2	Screw-Shoulder, HHF
14	109-9410	2	Bearing-Cross Shaft, Front	30	116-0797-03	1	Link-Lift, Deck
15	116-1700	4	Bolt-CARR	31	116-0000	1	Spring-Extension
16	109-9840	4	Screw-Shoulder, HHF	32	116-5584	1	Pin-HOC
				33	116-1919-01	1	Lever-Foot
				34	3256-28	2	Washer-Flat
				35	92-7674	1	Bolt-Shoulder
				36	3231-7	4	Screw-CARR

# Height-of-Cut Assembly No. 109-7438

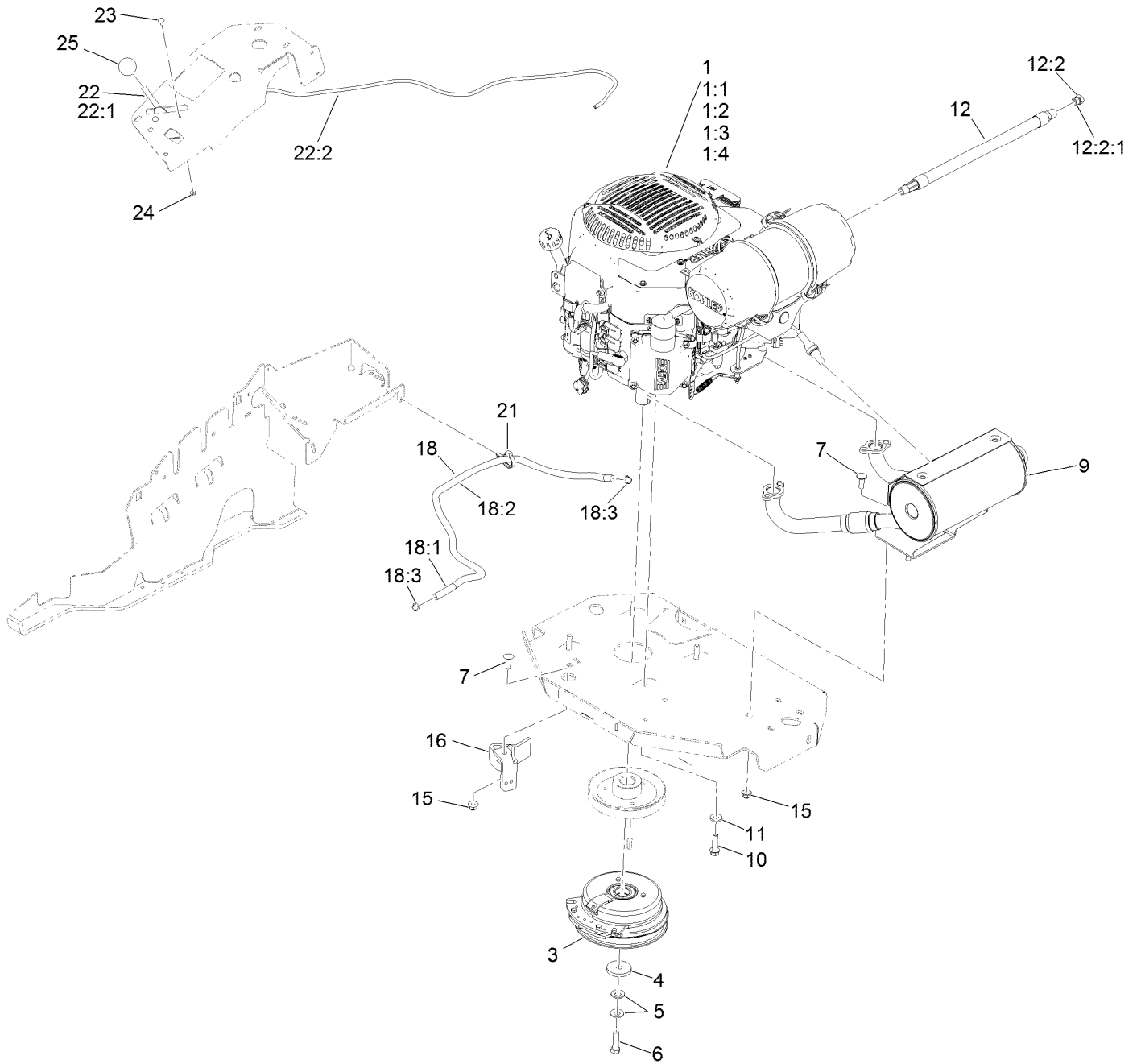




## Height-of-Cut Assembly No. 109-7438 (continued)

<i>Ref.</i>	<i>Part Number</i>	<i>Qty.</i>	<i>Description</i>	<i>Ref.</i>	<i>Part Number</i>	<i>Qty.</i>	<i>Description</i>
1	62-1330	1	Bolt-Shoulder	6	116-0118	1	Pawl-Transport, HOC
2	109-7130	1	Grommet	7	109-7335	1	HOC Plate ASM
3	104-8301	1	Nut-HF, NI	7:2	126-4398	1	Decal-HOC
4	109-7124	1	Spring-Extension	8	109-8250	1	Grip-Lever
5	109-7128	1	Rod-Lock, Transport				

# Engine, Clutch and Muffler Assembly



## Engine, Clutch and Muffler Assembly (continued)

<i>Ref.</i>	<i>Part Number</i>	<i>Qty.</i>	<i>Description</i>	<i>Ref.</i>	<i>Part Number</i>	<i>Qty.</i>	<i>Description</i>
1		1	Engine-Kohler Ecv740-3059 ▲◆	11	98-5975	4	Washer-Belleville
1:1		1	Kohler 52 050 02-S Engine Oil Filter ▲◆	12	116-5316	1	Oil Drain Hose ASM ■
1:2		1	Kohler 25 083 01-S Engine Air Filter ▲◆	12:2	353-508	1	Plug-HH ●
1:3		1	Kohler 25 083 04-S Safety Filter ▲◆	12:2:1	237-42	1	O-Ring
1:4		1	Kohler 25 050 42-S Fuel Filter ▲◆	15	104-8301	5	Nut-HF, NI
3	116-1620	1	Clutch Kit	16	116-2612-01	1	Clutch-Anchor
4	109-6919	1	Washer-Plain	18	117-3893	1	Fuel Line ASM
5	1-603610	2	Washer-Spring	18:1	109-0273	1	Hose-Fuel
6	109-9761	1	Screw-HH □	18:2	117-3892	1	Sleeve-Thermal
7	3231-22	5	Screw-CARR	18:3	2412-98	2	Clamp-Hose
9	142-6858	1	Kit,Muffler	21	105-1853	1	Clamp-Hose
10	32144-102	4	Screw-HWH	22	115-2752	1	Throttle Control ASM
				22:1	112-2334	1	Lever-Throttle
				22:2	115-3868	1	Cable-Throttle
				23	1-807513	2	Bolt-CARR
				24	3296-2	2	Nut-Lock, NI
				25	1-603175	1	Knob-Ball

● Torque to 24-26 ft-lb

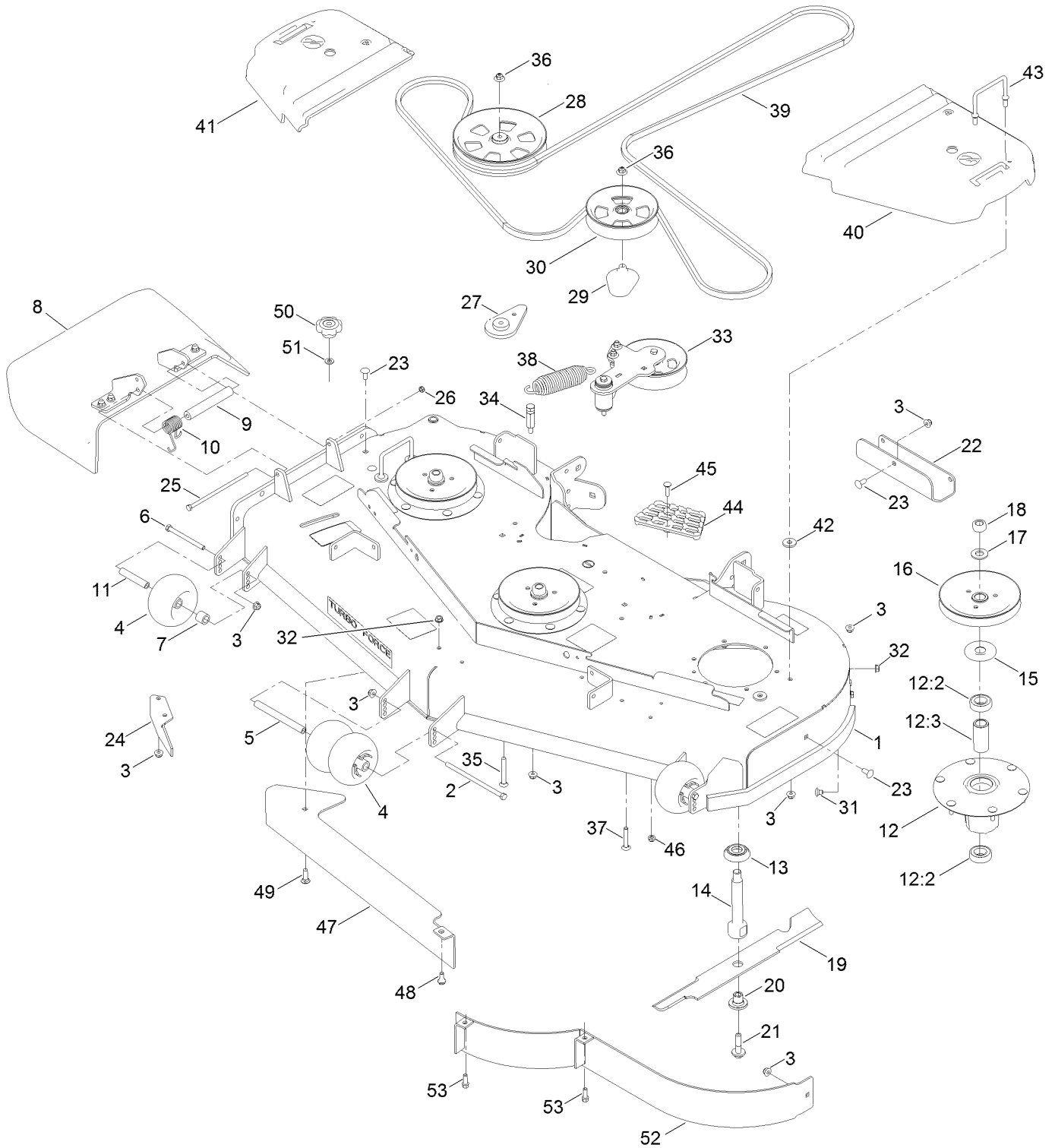
▲ Not serviced separately

□ Use Pro-Lock, Nut Type (P/N 1-840022, .5ml tube) on threads.

■ Torque to 17-23 ft-lb

◆ Obtain parts from [www.kohlerplus.com](http://www.kohlerplus.com)

# Deck Assembly

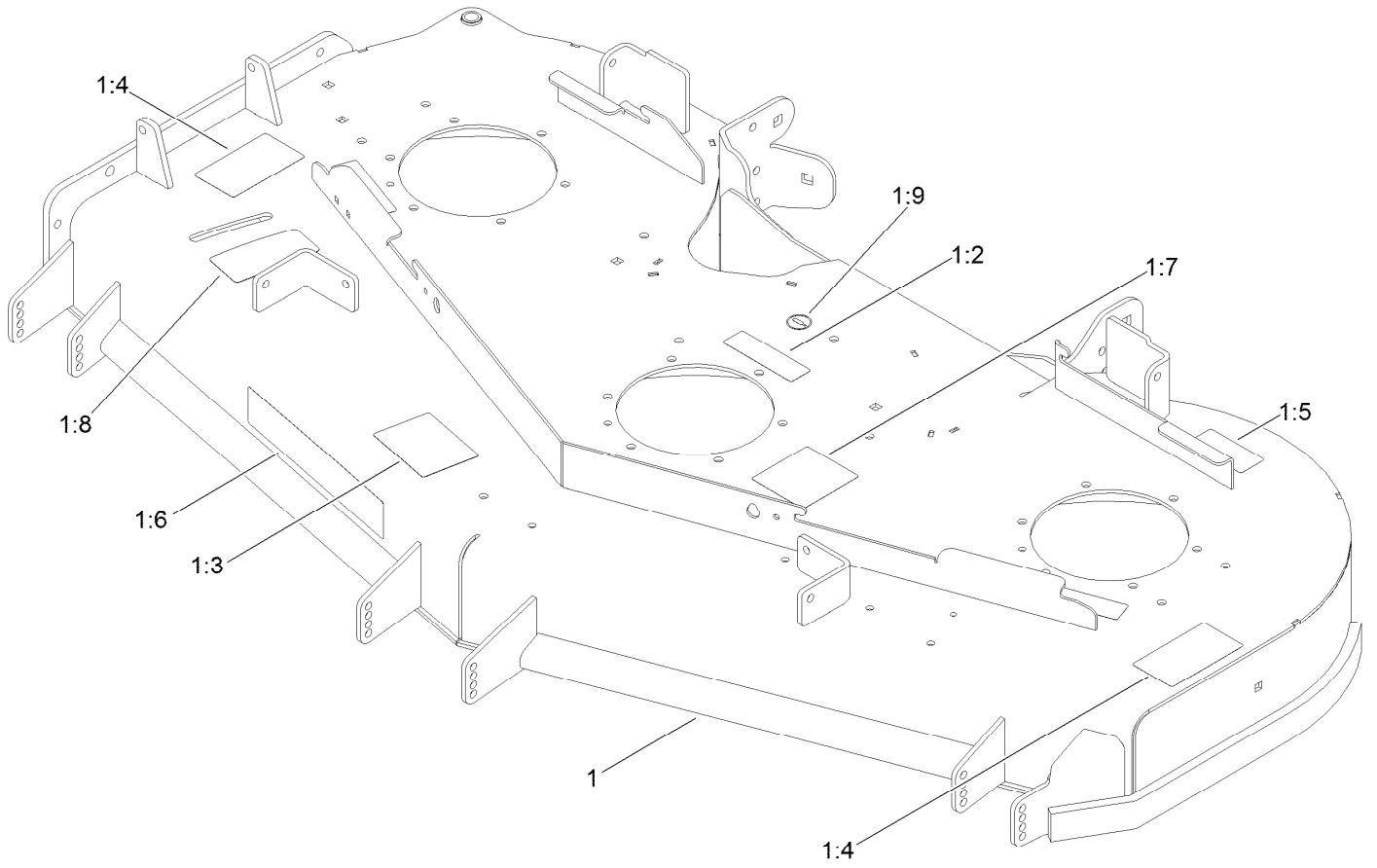


## Deck Assembly (continued)

<i>Ref.</i>	<i>Part Number</i>	<i>Qty.</i>	<i>Description</i>	<i>Ref.</i>	<i>Part Number</i>	<i>Qty.</i>	<i>Description</i>
1	140-1169	1	Deck Decal ASM	27	109-9416	1	Spacer-Idler
2	108-5388	1	Screw-HH	28	132-4734	1	Pulley-Idler,Flat
3	104-8301	32	Nut-HF, NI	29	109-2872	1	Spacer-Pulley
4	1-603299	4	Roller-Scalp, Anti	30	136-5404	1	Pulley-Idler, Flat
5	98-5967	1	Spacer-Wheel	31	108-5387	3	Screw-CARR
6	323-23	2	Screw-HH	32	3290-357	6	Nut-HSF
7	98-7913	2	Tube-Spacer	33		1	Idler Arm ASM ●
8	108-2792	1	Rubber Deflector ASM	34	114-5867	1	Anchor-Spring, Tall
9	105-4622	1	Spacer	35	3231-42	1	Screw-CARR
10	108-4052	1	Spring-Torsion	36	109-6658	2	Nut-Flange, NI
11	98-7912	2	Tube-Spanner	37	3231-40	1	Bolt-CARR
12	137-9780	3	Spindle ASM	38	116-6317	1	Spring-Extension
12:2	116-0720	2	Bearing-Ball	39	132-5982	1	Belt-V
12:3	138-6042	1	Spacer-Bearing	40	109-6938	1	Cover-Belt, LH
13	137-9784	3	Guard-Bottom	41	116-0094	1	Cover-Belt, RH
14	138-6045	3	Shaft-Spindle	42	1-373034	4	Washer
15	103-1330	3	Guard-Bearing, Top	43	109-6982	2	Wireform-Cover
16	138-6059	3	Sheave-Drive, Blade	44	126-4781-03	1	Step-Deck
17	103-2802	3	Washer	45	3230-3	1	Screw-CARR
18	116-7306	3	Nut-Hex	46	104-8300	1	Nut-HF, NI
19	140-1240	3	Blade	47	138-6051-01	1	Plate-Baffle
20	137-9787	3	Bushing-Hex	48	94-7582	1	Bolt-Shoulder
21	109-9220	3	Screw-Sems	49	3231-25	1	Bolt-CARR
22	121-8031-01	1	Plate-Skid	50	109-1092	1	Knob
23	3231-27	6	Screw-CARR	51	100-4852	1	Washer-Hardened
24	106-3216-01	1	Baffle-Discharge	52	114-5842-01	1	Baffle
25	322-50	1	Screw-HH	53	92-1624	2	Screw-HWH Thd Form
26	3296-47	1	Nut-Lock,NI				

● Not serviced separately

# Deck Decal Assembly No. 140-1169

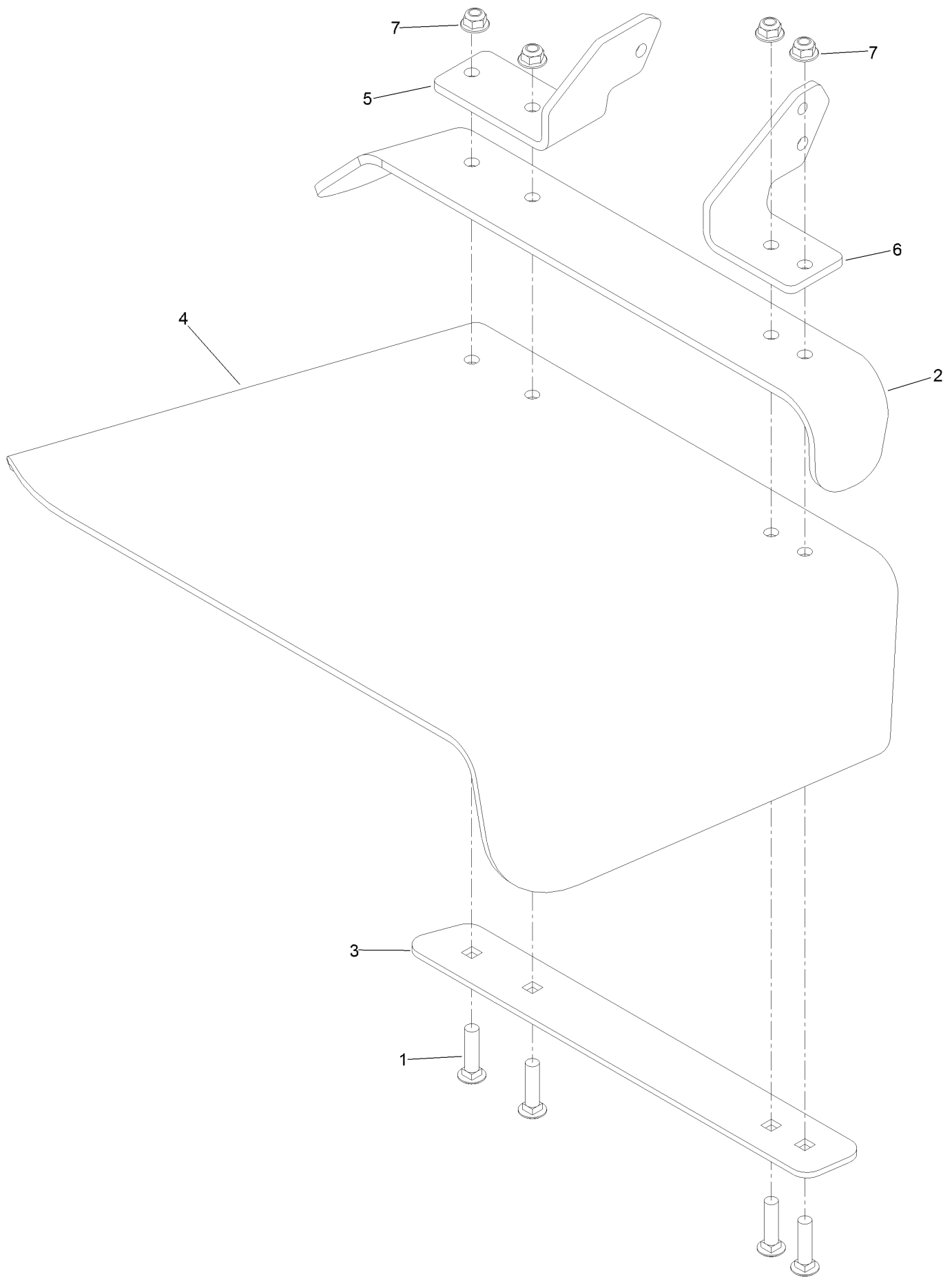


## Deck Decal Assembly No. 140-1169 (continued)

<i>Ref.</i>	<i>Part Number</i>	<i>Qty.</i>	<i>Description</i>	<i>Ref.</i>	<i>Part Number</i>	<i>Qty.</i>	<i>Description</i>
1		1	Deck ASM ●	1:6	107-1619	1	Decal
1:2	112-9028	3	Decal-Cover, Missing	1:7	136-5508	1	Decal-Routing, Deck Belt
1:3	127-0326	1	Decal-Scalp, Anti	1:8	131-1180	1	Decal-Adjustment, Baffle
1:4	117-3848	2	Decal-Danger	1:9	58-6520	1	Decal-Grease
1:5	116-8283	1	Decal-Torque, Bolt				

● Not serviced separately

# Rubber Deflector Assembly No. 108-2792

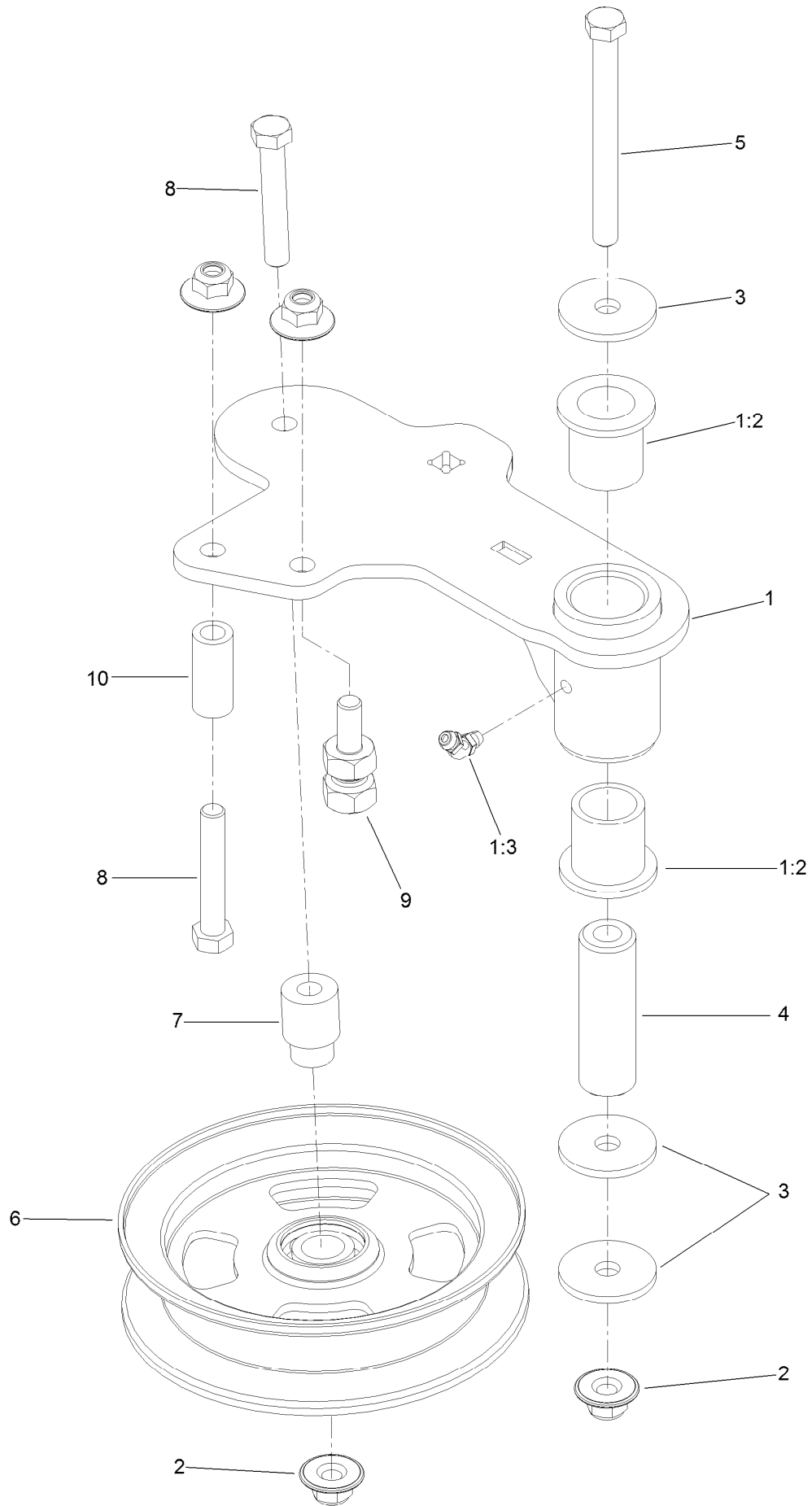




# Rubber Deflector Assembly No. 108-2792 (continued)

<i>Ref.</i>	<i>Part Number</i>	<i>Qty.</i>	<i>Description</i>	<i>Ref.</i>	<i>Part Number</i>	<i>Qty.</i>	<i>Description</i>
1	3231-4	4	Screw-CARR	5	108-4059-01	1	Plate-Hinge, Rear
2	106-3246-01	1	Deflector	6	106-3253-01	1	Plate-Hinge, Front
3	106-3248-03	1	Strap-Discharge	7	104-8301	4	Nut-HF, NI
4	108-5029	1	Deflector-Rubber				

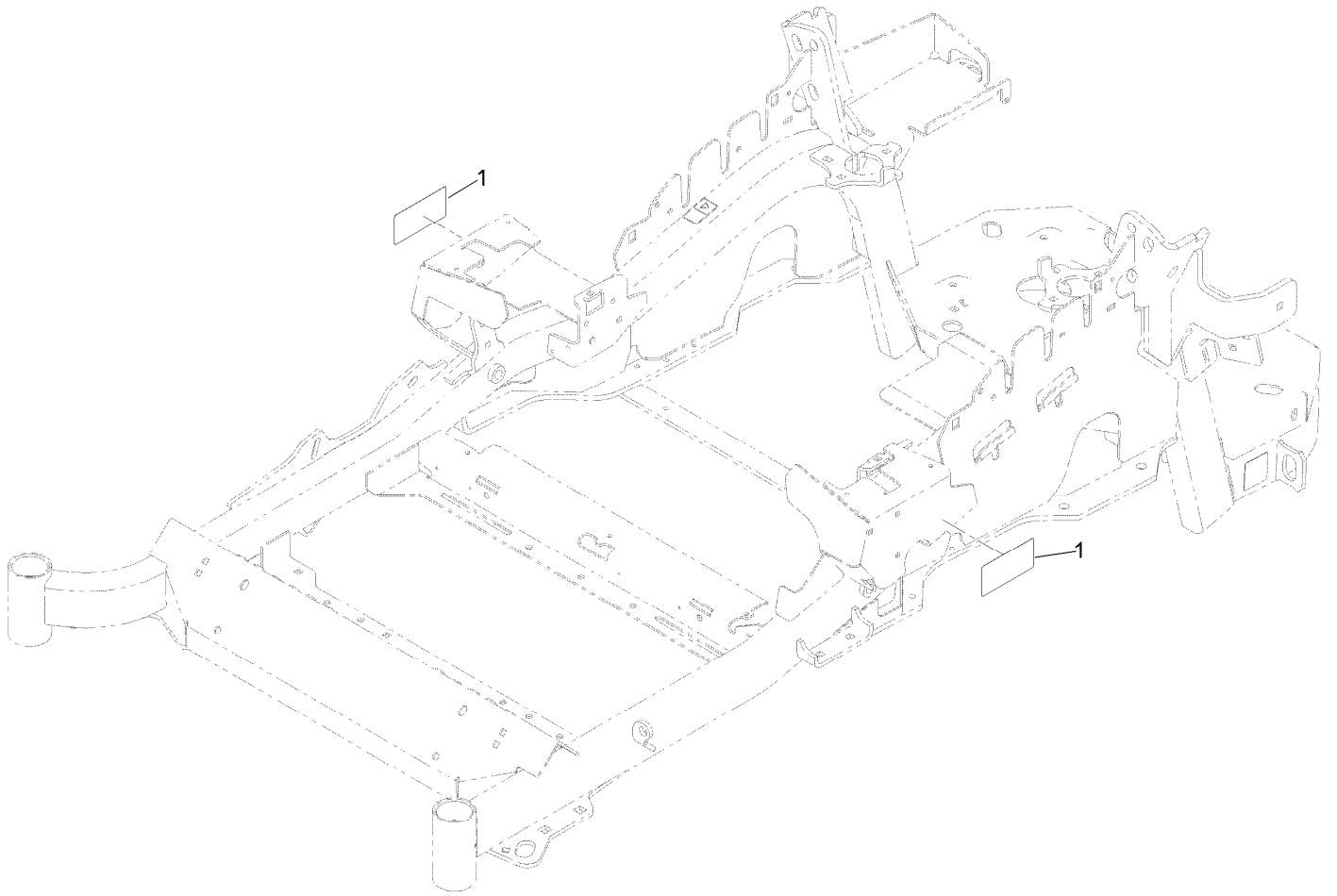
# Idler Arm Assembly



## Idler Arm Assembly (continued)

<i>Ref.</i>	<i>Part Number</i>	<i>Qty.</i>	<i>Description</i>	<i>Ref.</i>	<i>Part Number</i>	<i>Qty.</i>	<i>Description</i>
1	114-5870	1	Idler Arm ASM	5	98-5961	1	Screw-HH
1:2	1-303514	2	Bearing-Flanged	6	132-9425	1	Pulley-Idler, Flat
1:3	1481	1	Fitting-Grease	7	112-4212	1	Mount-Pulley
2	109-6658	4	Nut-Flange, NI	8	323-11	2	Screw-HH
3	1-213069	3	Washer	9	132-4729	1	Anchor-Spring, Short
4	114-5848	1	Spacer-Plain	10	104-0151	1	Spacer

# Frame Decal Assembly



## Frame Decal Assembly (continued)

<i>Ref.</i>	<i>Part Number</i>	<i>Qty.</i>	<i>Description</i>
1	120-5894	2	Decal

# Attachments and Accessories

## For 72930 Z Master Professional 5000 Series Riding Mower with 60in TURBO FORCE Side Discharge Mower

<b>Product Name</b>	<b>Model/Part</b>
Turbo Baffle Kit .....	107-1634
Anti-Scalp Kit (Trim Side).....	108-4140
Hitch Kit .....	109-9487
Hypr-Oil 500 (quart).....	114-4713
Hypr-Oil 500 (gallon).....	114-4714
Hypr-Oil 500-5 (5 gallon).....	114-4715
Bimini Folding Shade Assembly .....	115-4510
Roller Striper Kit.....	115-7470
Light Kit.....	116-1154
Seat Cover (W/arm rest).....	117-0095
Operator Controlled Discharge Chute Kit.....	117-3600
Z Stand Kit .....	121-4811
Seat Tilt Frame and ISO Mount Kit.....	121-7596
Toro Rops Lock Kit.....	126-4064
Jack Mount Kit .....	127-6665
Jack Kit.....	127-6666
Power Deck Lift Kit .....	132-5986
Worklight Kit .....	135-7320
Bucket Mount Kit.....	137-9216
Trimmer Mount .....	137-9769
Recycler Kit .....	139-6655
24x12n12 - Tweel Turf .....	139-7891
Blade-20.5 High Flow .....	140-1240
Blade-20.50 Atomic .....	140-1241
Blade-20.50 Medium Flow .....	140-4853
Blade-20.50, Low Flow .....	140-4854
Blade-20.50 Recycler .....	140-4855
6 Pack-Blade, 20.5 High Flow.....	140-4877
6 Pack-Blade, 20.5 Med Flow .....	140-4878
6 Pack-Blade, 20.5 Low Flow .....	140-4879
6 Pack-Blade, 20.5 Atomic.....	140-4880
6 Pack-Blade, 20.5 Recycler.....	140-4881
Weight Kit, Under Toe Board.....	140-4958
Toro Rider Over Seat Bag.....	490-7317
Toro Deluxe Rider Cover.....	490-7319
Toro Rider Arm Rest Bag .....	490-7320
Spark Arrestor Screen .....	75-6880
Blower and Drive Kit .....	78553
E-Z Vac Triple Bagging System .....	78563
E-Z Vac DFS Collection System .....	78567
Filter Minder Gauge .....	99-4664
Trash Holder Kit.....	TC26

**Notes:**



**Count on it.**