



Count on it.

Parts Catalog

**Z Master® Professional 5000
Series Riding Mower**

**with 72in TURBO FORCE® Rear Discharge
Mower**

Model No. 72922—Serial No. 412500000 and Up



Ordering Replacement Parts

To order replacement parts, please supply the part number, the quantity, and the description of each part desired.

Understanding Reference Numbers

Each identified part in an illustration has a reference number. The reference number for a part also appears in the parts list, along with other information about the part.

This catalog uses two special reference number formats, one to indicate parts in a service assembly and another to indicate the quantity of a given part in an illustration.

Service Assembly Reference Numbers

Parts in service assemblies have reference numbers in the form a:b. The a represents the reference number of the entire service assembly and the b represents a sequential number unique to each part within the service assembly.

For example, a wheel assembly might be identified by reference number 6, the tire by 6:1, the valve by 6:2, and the wheel by 6:3. When you order the assembly identified by reference number 6, you receive all parts identified by reference numbers 6:1, 6:2, and 6:3. However, you may also order any part individually. Reference numbers of this type appear in illustration and in parts lists.

Reference Numbers Indicating Quantity

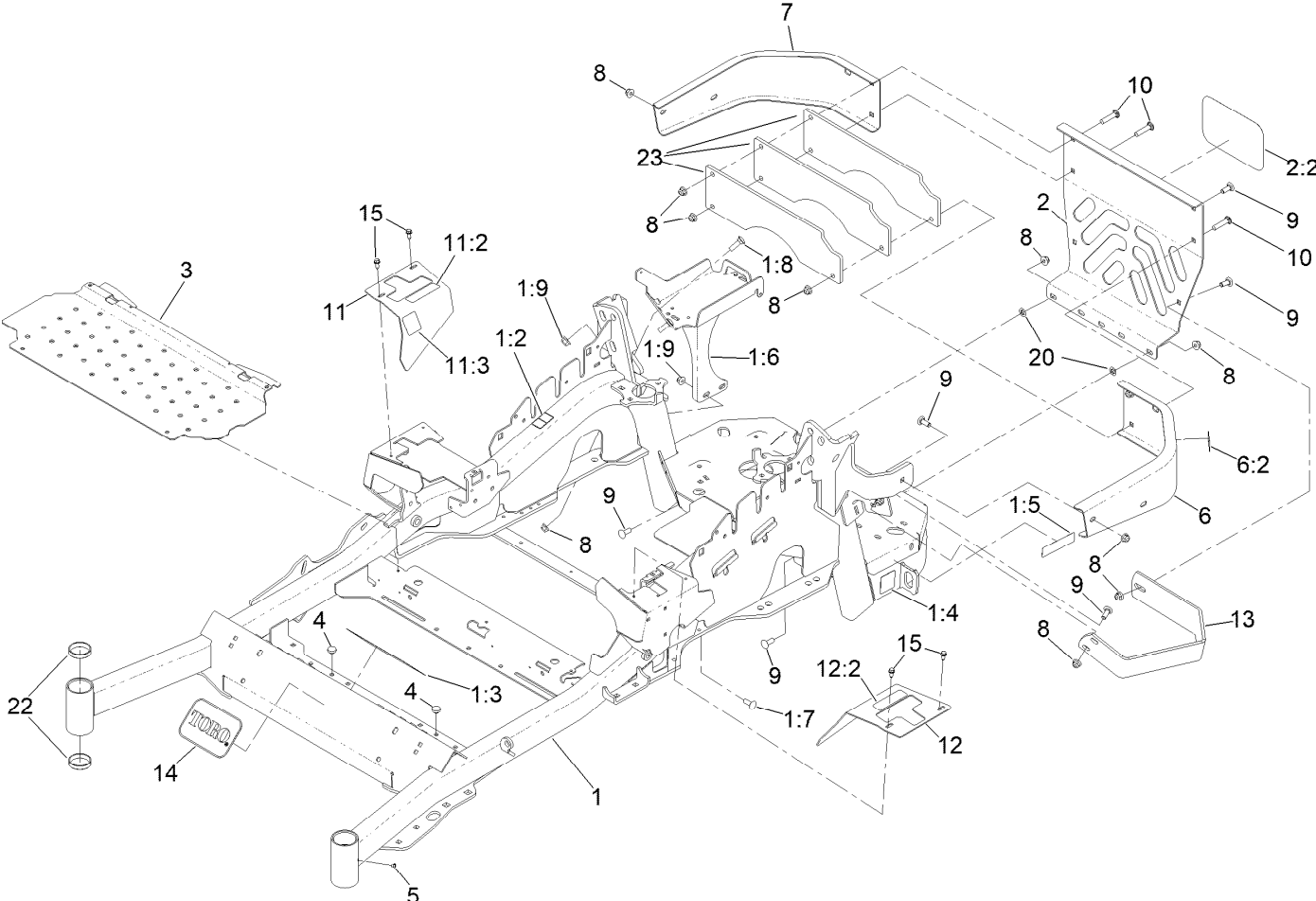
In an illustration, if a reference number indicates more than one part, the reference number has the form nX y. The n represents the quantity of the part, the X is the multiplication symbol, and the y represents the reference number.

For example, in an illustration, the reference number 2X 37 means that two of the parts identified by reference number 37 are indicated.

Contents

| | |
|---|----|
| Main Frame Assembly | 4 |
| Roll-Over Protection System Assembly No. 116-0231 | 6 |
| Caster Fork and Wheel Assembly | 8 |
| Hydraulic Drive Assembly | 10 |
| Pump Idler Assembly No. 116-1255 | 12 |
| LH Hydro Assembly No. 135-7903 | 14 |
| RH Hydro Assembly No. 135-7904 | 16 |
| Rear Wheel Assembly | 18 |
| Park Brake Assembly | 20 |
| Fuel System Assembly | 22 |
| Fuel Tank Assembly No. 135-0643 | 24 |
| Seat Mounting Assembly | 26 |
| Seat Assembly No. 147-4984 | 28 |
| Motion Control Assembly | 30 |
| Control Console Assembly | 32 |
| Electrical Assembly | 34 |
| Wire Harness Assembly No. 135-5753 | 36 |
| Deck Lift Assembly | 38 |
| Height-of-Cut Assembly No. 109-7438 | 40 |
| Engine Assembly | 42 |
| Rear Discharge Tunnel | 44 |
| Discharge Tunnel Assembly No. 126-4933 | 46 |
| Deck Assembly | 48 |
| Deck Decal Assembly No. 139-8132 | 50 |
| Idler Assembly No. 126-0853 | 52 |
| Deck Idler Assembly No. 126-1720 | 54 |
| Frame Decal Assembly | 56 |
| Attachments and Accessories | 58 |

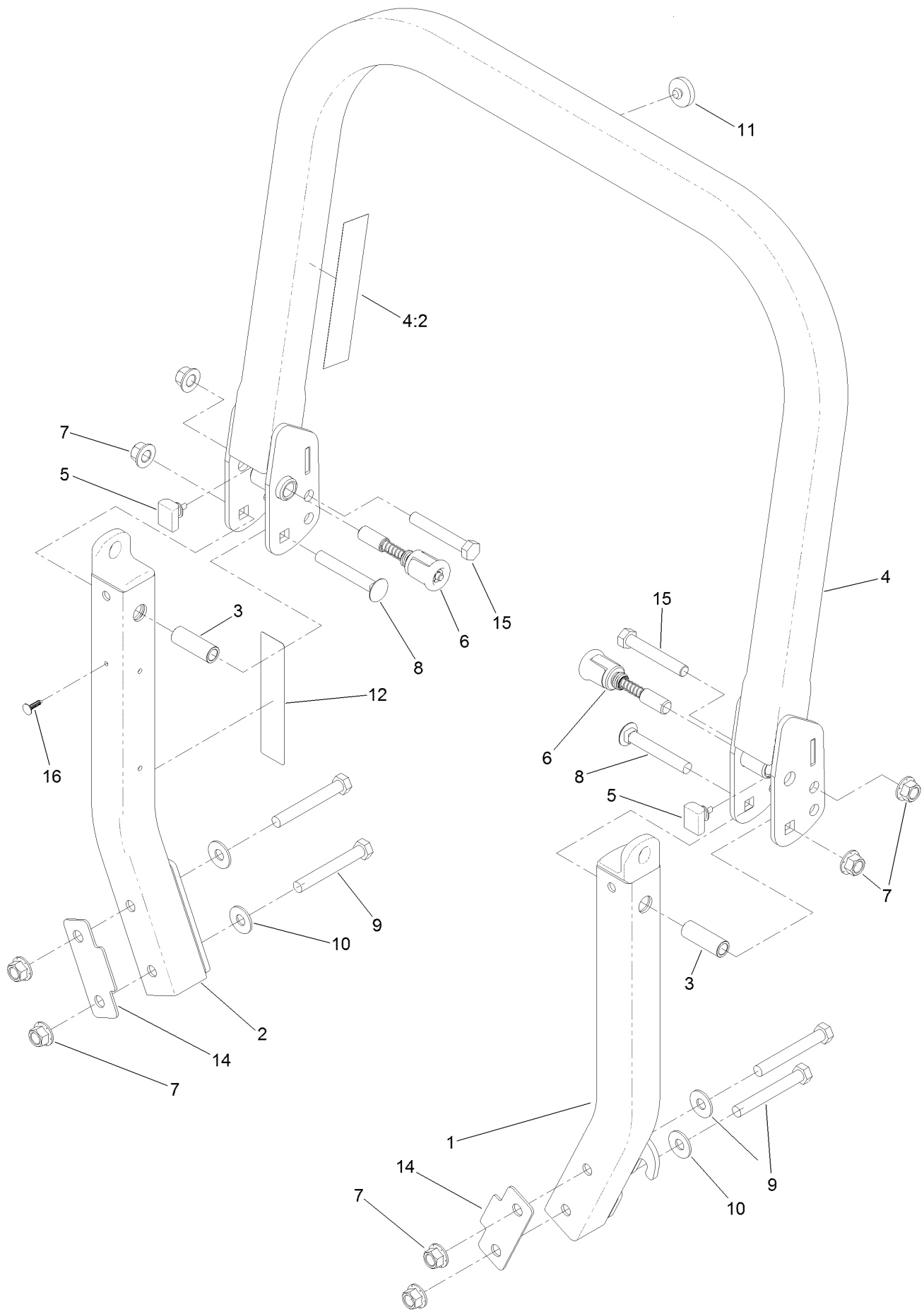
Main Frame Assembly



Main Frame Assembly (continued)

| <i>Ref.</i> | <i>Part Number</i> | <i>Qty.</i> | <i>Description</i> | <i>Ref.</i> | <i>Part Number</i> | <i>Qty.</i> | <i>Description</i> |
|-------------|--------------------|-------------|------------------------------|-------------|--------------------|-------------|-----------------------------|
| 1 | 142-7280 | 1 | Mainframe Service ASM - Rd | 7 | 116-0057-03 | 1 | Bumper-RH |
| 1:2 | 106-5517 | 2 | Decal-Warning | 8 | 104-8301 | 15 | Nut-HF, NI |
| 1:3 | 132-0871 | 1 | Decal-Danger | 9 | 3231-22 | 10 | Screw-CARR |
| 1:4 | 106-2655 | 2 | Decal-Hazard, Pinched Finger | 10 | 3231-29 | 3 | Screw-CARR |
| 1:5 | 133-8062 | 1 | Decal-Arrestor, Spark | 11 | 116-5899 | 1 | RH Motion Control Cover ASM |
| 1:6 | 142-6404-01 | 1 | Battery Mount ASM [red] | 11:2 | 99-8936 | 1 | Decal-Control, Motion |
| 1:7 | 3231-22 | 2 | Screw-CARR | 11:3 | 116-5988 | 1 | Decal-Park Brake, CE |
| 1:8 | 3231-25 | 2 | Bolt-CARR | 12 | 116-0580 | 1 | LH Motion Control Cover ASM |
| 1:9 | 104-8301 | 4 | Nut-HF, NI | 12:2 | 99-8936 | 1 | Decal-Control, Motion |
| 2 | 115-7410 | 1 | Rear Guard ASM | 13 | 126-2067-03 | 1 | Guard-Muffler |
| 2:2 | 67-7320 | 1 | Decal | 14 | 68-3640 | 1 | Decal |
| 3 | 116-8898-01 | 1 | Floorpan | 15 | 32144-10 | 4 | Screw-HWH |
| 4 | 1-513658 | 2 | Bumper | 20 | 107-3154 | 2 | Nut-Push |
| 5 | 1-811010 | 2 | Plug | 22 | 1-543508 | 4 | Cup-Bearing |
| 6 | 116-0180 | 1 | LH Bumper ASM | 23 | 126-4772-03 | 3 | Plate-Weight, 6 Lb |
| 6:2 | 106-5517 | 1 | Decal-Warning | | | | |

Roll-Over Protection System Assembly No. 116-0231

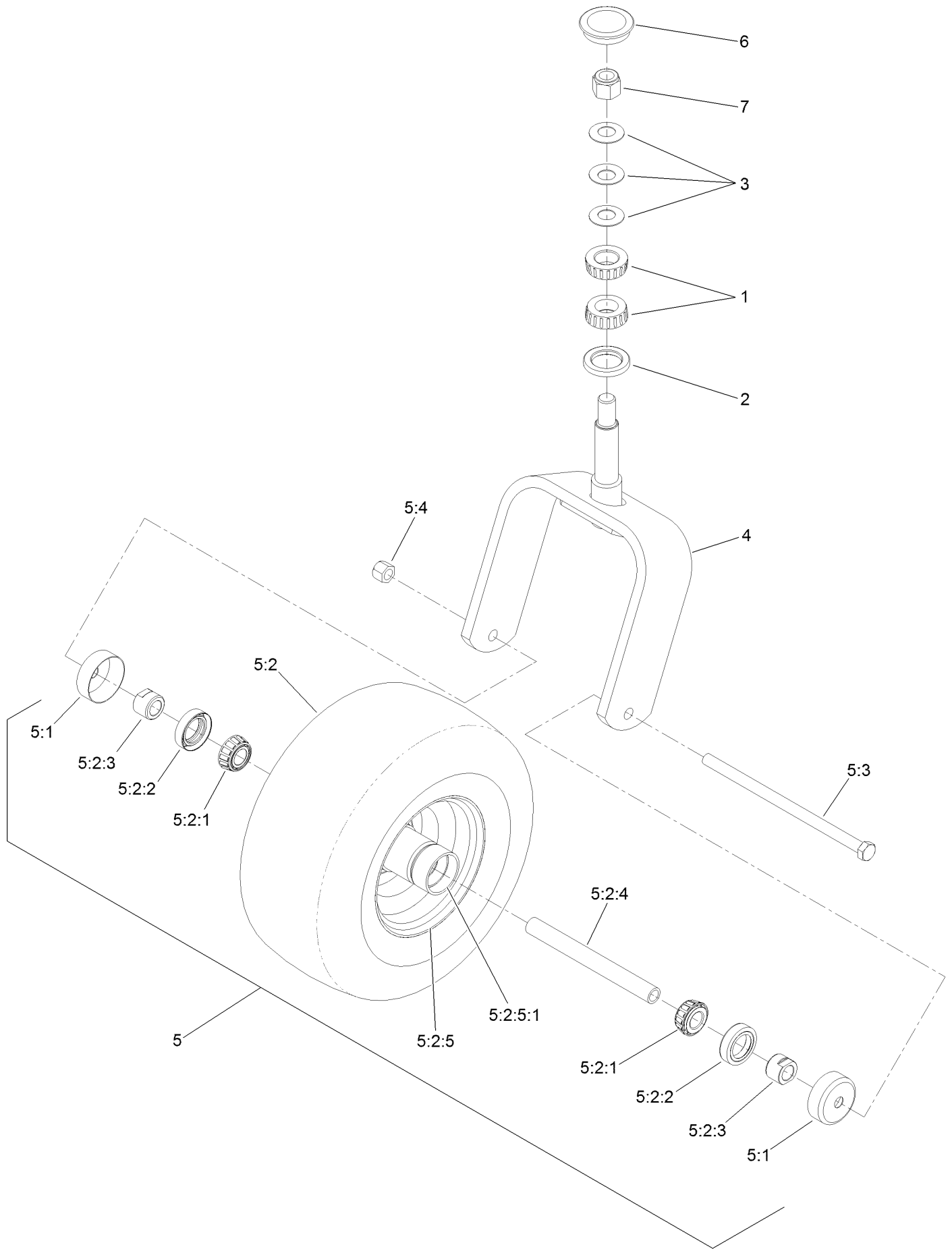


Roll-Over Protection System Assembly No. 116-0231 (continued)

| <i>Ref.</i> | <i>Part Number</i> | <i>Qty.</i> | <i>Description</i> | <i>Ref.</i> | <i>Part Number</i> | <i>Qty.</i> | <i>Description</i> |
|-------------|--------------------|-------------|--------------------|-------------|--------------------|-------------|--------------------------|
| 1 | | 1 | Leg-ROPS, LH ● | 8 | 3233-10 | 2 | Screw-CARR |
| 2 | | 1 | Leg-ROPS, RH ● | 9 | 325-35 | 4 | Screw-HH |
| 3 | 109-6653 | 2 | Spacer | 10 | 109-9505 | 4 | Washer-Spring |
| 4 | | 1 | Upper ROPS ASM ● | 11 | 109-9233 | 1 | Bumper-Push-In, Rubber |
| 4:2 | 107-3069 | 1 | Decal-Warning | 12 | 117-0346 | 1 | Decal-Caution, Fuel Vent |
| 5 | 109-5337 | 2 | Bumper-ROPS | 14 | 116-0960 | 2 | Spacer |
| 6 | 116-0104 | 2 | Pin-Spring | 15 | 325-13 | 2 | Screw-HH |
| 7 | 99-5107 | 8 | Nut-Lock | 16 | 125-8067 | 1 | Plug-Plastic |

● Not serviced separately

Caster Fork and Wheel Assembly



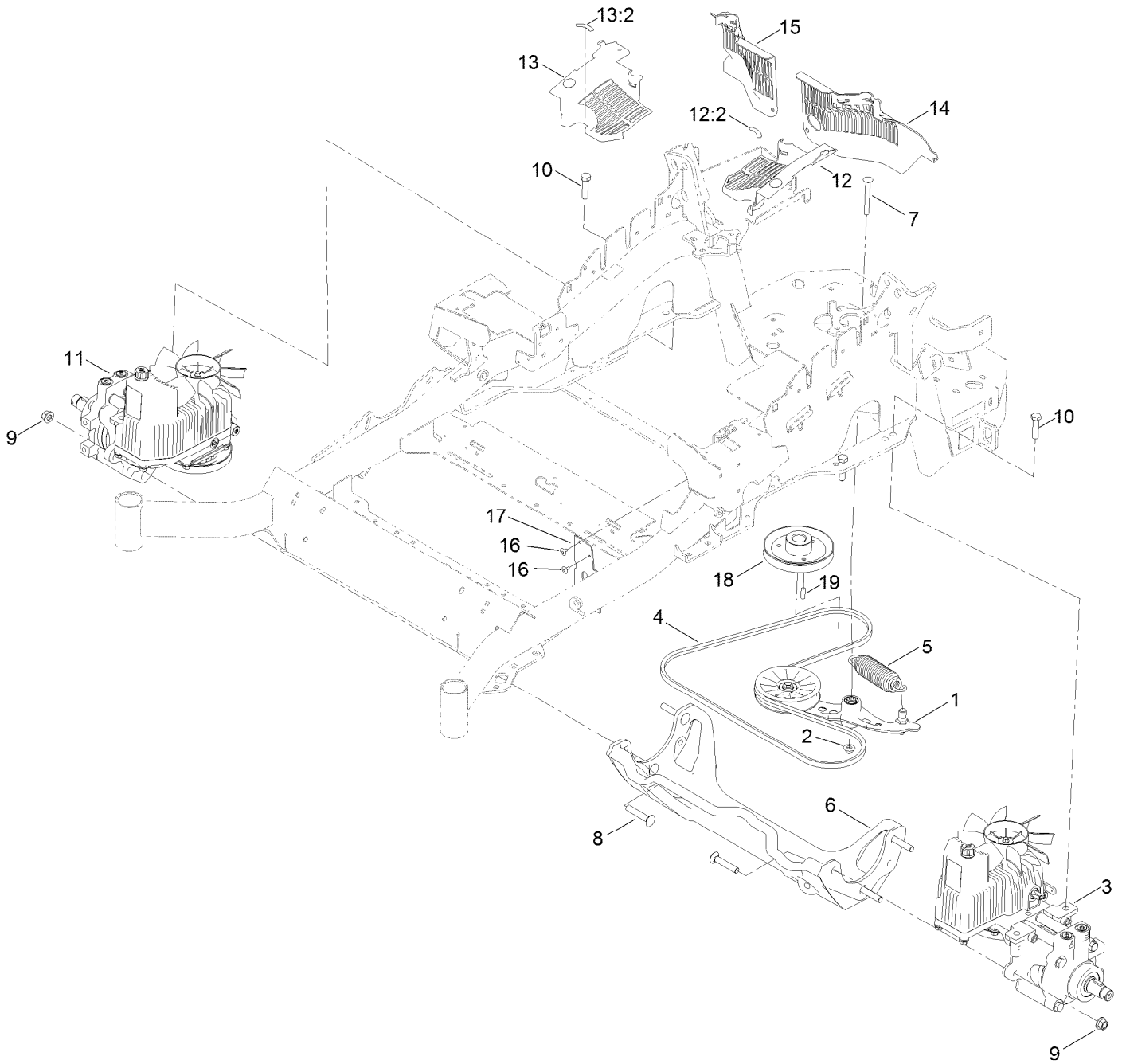
Caster Fork and Wheel Assembly (continued)

| <i>Ref.</i> | <i>Part Number</i> | <i>Qty.</i> | <i>Description</i> | <i>Ref.</i> | <i>Part Number</i> | <i>Qty.</i> | <i>Description</i> |
|-------------|--------------------|-------------|-------------------------|-------------|--------------------|-------------|----------------------|
| 1 | 1-543509 | 2 | Bearing-Roller, Tapered | 5:2:3 | 103-3051 | 1 | Spacer-Nut ■ |
| 2 | 116-5647 | 1 | Seal-Grease | 5:2:4 | 126-5361 | 1 | Axle Caster ASM |
| 3 | 1-633508 | 3 | Washer-Bellville | 5:2:5 | | 1 | Wheel And Tire ASM ● |
| 4 | 116-6707-01 | 1 | Caster | 5:2:5:1 | 1-633584 | 2 | Bearing-Cup |
| 5 | 127-9528 | 1 | Wheel And Axle ASM | 5:3 | 325-39 | 1 | Screw-HH |
| 5:1 | 103-2768 | 2 | Guard-Seal | 5:4 | 3296-23 | 1 | Nut-Lock, NI |
| 5:2 | | 1 | Wheel And Bearing ASM ● | 6 | 103-4882 | 1 | Cap-Grease |
| 5:2:1 | 1-633585 | 2 | Bearing-Cone, Taper | 7 | 3296-51 | 1 | Nut-Lock, NI |
| 5:2:2 | 103-0063 | 2 | Seal-Caster | | | | |

● Not serviced separately

■ Use Pro-Lock, Nut Type (P/N 1-840022, .5ml tube) on threads.

Hydraulic Drive Assembly



Hydraulic Drive Assembly (continued)

| <i>Ref.</i> | <i>Part Number</i> | <i>Qty.</i> | <i>Description</i> | <i>Ref.</i> | <i>Part Number</i> | <i>Qty.</i> | <i>Description</i> |
|-------------|--------------------|-------------|-------------------------|-------------|--------------------|-------------|-----------------------------|
| 1 | 116-1255 | 1 | Pump Idler ASM | 13 | 116-0171 | 1 | RH Hydro Guard ASM |
| 2 | 109-6658 | 1 | Nut-Flange, NI | 13:2 | 116-8726 | 1 | Decal-Oil, Hydro |
| 3 | 135-7903 | 1 | Hydro-LH | 14 | 109-9057 | 1 | Guard-Hydro, Rear (LH) |
| 4 | 126-9835 | 1 | Belt-V | 15 | 109-9058 | 1 | Guard-Hydro, Rear (RH) |
| 5 | 116-6317 | 1 | Spring-Extension | 16 | 1-803035 | 2 | Rivet-Pop |
| 6 | 116-7558 | 1 | Cradle-Hydro | 17 | 116-2362 | 1 | Deflector-Air Flow |
| 7 | 116-1502 | 1 | Bolt-Shoulder, Carriage | 18 | 142-9445 | 1 | Sheave, W/Hub |
| 8 | 126-0095 | 6 | Screw-CARR | 19 | 1-807259 | 1 | Key |
| 9 | 99-5107 | 6 | Nut-Lock | 99 | 114-4713 | 1 | Hypr-Oil 500 (Quart) ● |
| 10 | 325-8 | 4 | Screw-HH | 99 | 114-4714 | 1 | Hypr-Oil 500 (Gallon) ● |
| 11 | 135-7904 | 1 | Hydro-RH | 99 | 114-4715 | 1 | Hypr-Oil 500-5 (5 Gallon) ● |
| 12 | 116-0170 | 1 | LH Hydro Guard ASM | 99 | 117-0390 | 1 | Filter-Hydro ● |
| 12:2 | 116-8726 | 1 | Decal-Oil, Hydro | | | | |

● Not illustrated

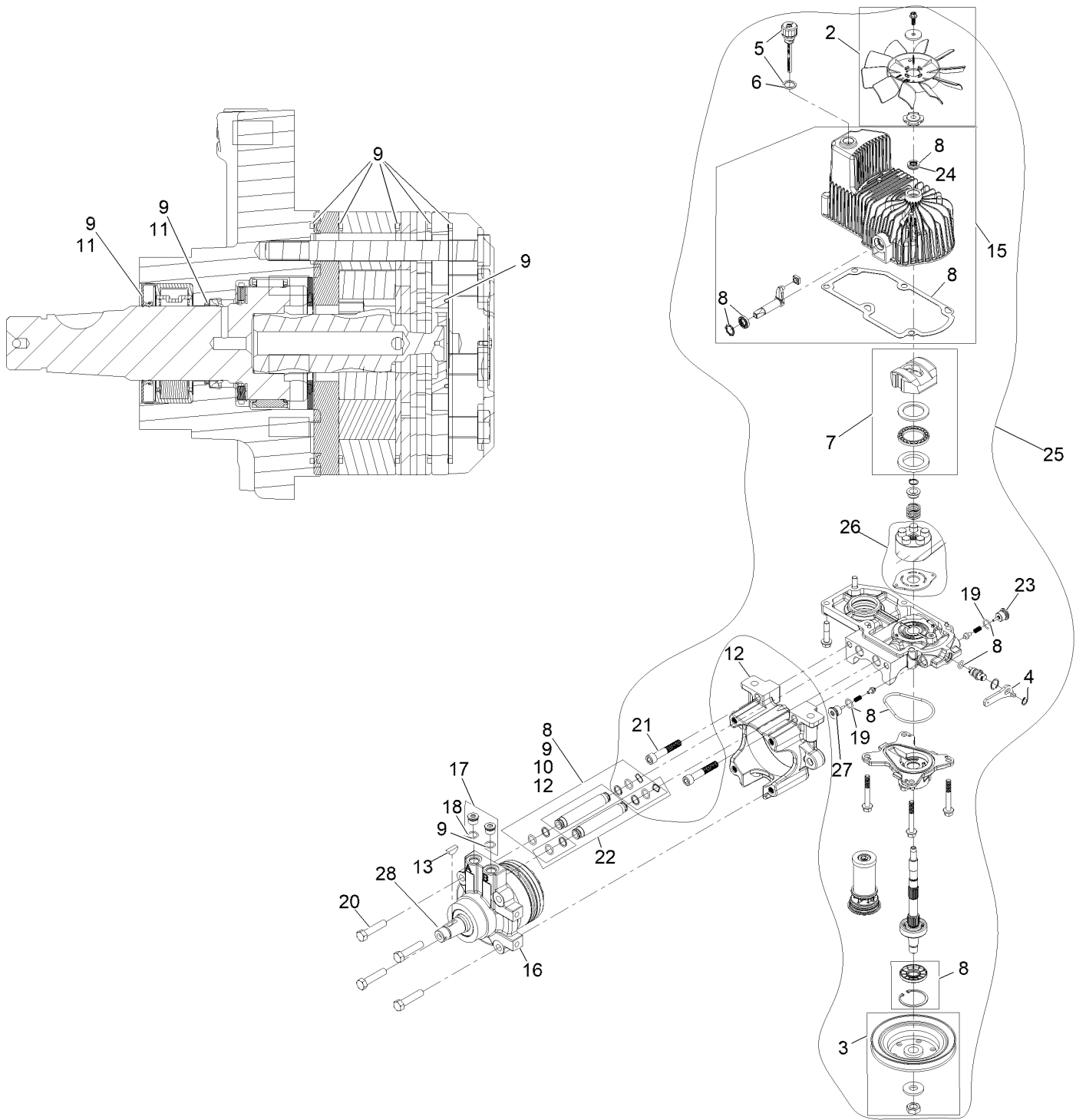
Pump Idler Assembly No. 116-1255



Pump Idler Assembly No. 116-1255 (continued)

| <i>Ref.</i> | <i>Part Number</i> | <i>Qty.</i> | <i>Description</i> | <i>Ref.</i> | <i>Part Number</i> | <i>Qty.</i> | <i>Description</i> |
|-------------|--------------------|-------------|--------------------|-------------|--------------------|-------------|--------------------|
| 2 | 43-0940 | 1 | Spacer | 8 | 323-8 | 1 | Screw-HH |
| 3 | 103-3504 | 2 | Bearing-Spherical | 9 | 32120-10 | 2 | Ring-Snap |
| 4 | 103-3505 | 1 | Seal-Lip, Double | 10 | 302-19 | 1 | Fitting-Grease |
| 5 | 103-3506 | 1 | Seal-Lip, Single | 11 | 109-8076 | 1 | Pulley-Idler |
| 6 | 109-6658 | 1 | Nut-Flange, NI | 12 | 132-4724 | 1 | Pin-Anchor, Spring |
| 7 | 106-7159 | 2 | O-Ring | | | | |

LH Hydro Assembly No. 135-7903

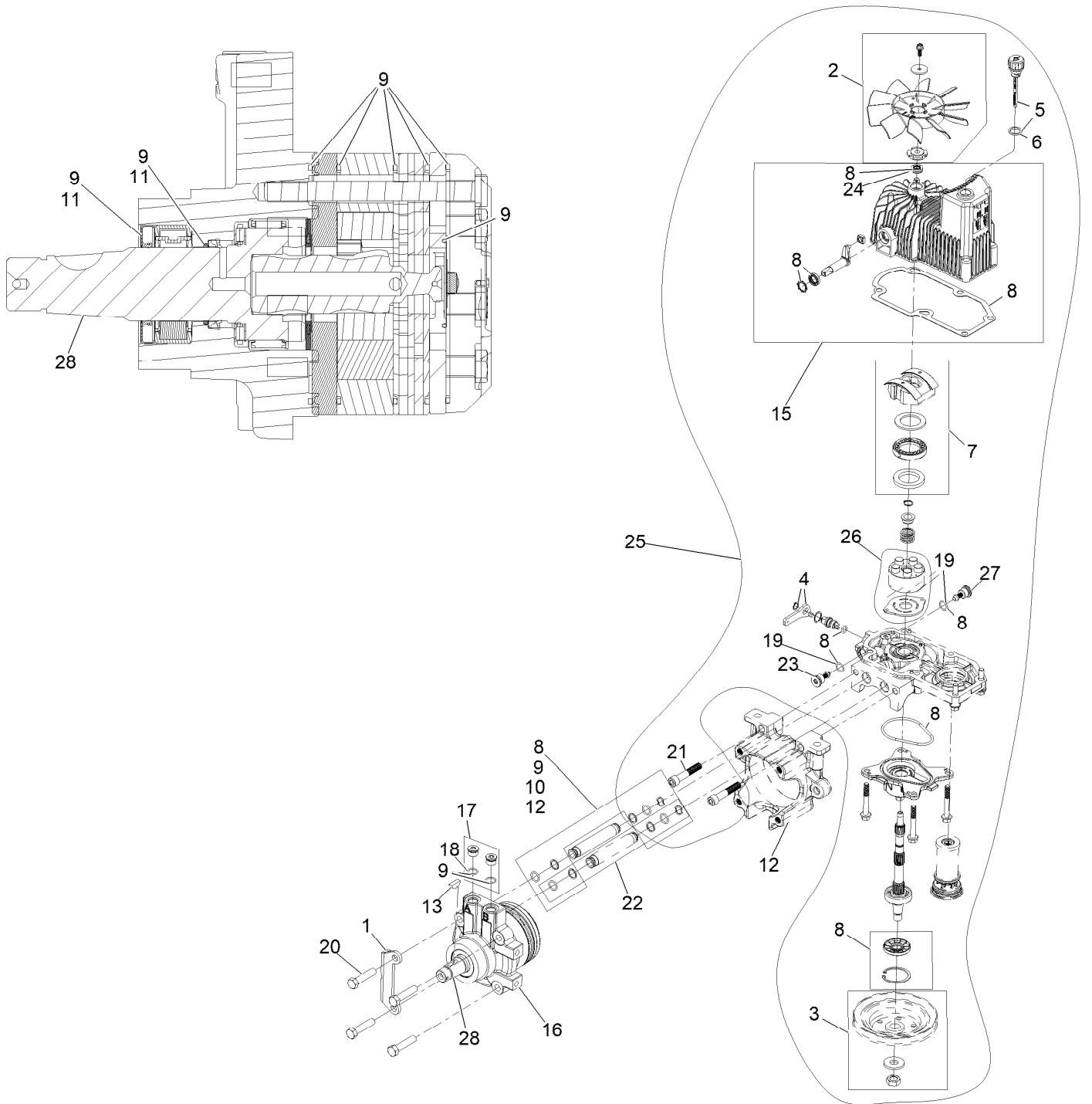


LH Hydro Assembly No. 135-7903 (continued)

| <i>Ref.</i> | <i>Part Number</i> | <i>Qty.</i> | <i>Description</i> | <i>Ref.</i> | <i>Part Number</i> | <i>Qty.</i> | <i>Description</i> |
|-------------|--------------------|-------------|----------------------------|-------------|--------------------|-------------|--------------------------------------|
| 2 | 142-3603 | 1 | Kit, 7.8 In Fan | 18 | 76-1900 | 2 | O-Ring |
| 3 | 116-0234 | 1 | Pulley Kit | 19 | 116-8662 | 2 | O-Ring-Valve, Check |
| 4 | 116-0235 | 1 | Handle | 20 | 116-8974 | 4 | Screw-HH 1/2-20 X 2 1/4 |
| 5 | 116-0236 | 1 | Dipstick | 21 | 116-8975 | 2 | Screw-HSH 1/2-20 X 2 3/4 |
| 6 | 116-0237 | 1 | Gasket | 22 | 116-9922 | 2 | Hydraulic Tube Kit |
| 7 | 116-1367 | 1 | Swash Block Kit | 23 | 126-7466 | 1 | Valve-Shock |
| 8 | 142-3604 | 1 | Kit, Pump Seal | 24 | 126-7711 | 1 | Seal-Drive, Fan |
| 9 | 116-1369 | 1 | Motor Seal Kit | 25 | 142-3609 | 1 | Kit, Pump Section 12Cc LH |
| 10 | 116-1370 | 1 | Tube Seal Kit | 26 | 142-4500 | 1 | Kit - 12Cc Port Plate, Rotate Grp |
| 11 | 116-1371 | 1 | Output Shaft Seal Kit | 27 | 142-4459 | 1 | Shock Valve Orificed 3800 |
| 12 | 116-5469 | 1 | Cup-Nose | 28 | 146-3749 | 1 | Output Shaft- TI Uht Motor |
| 13 | 3257-42 | 1 | Key-Woodruff 5/16 X 1 | 99 | 116-1373 | 1 | Flow Test Kit ● |
| 15 | 142-4460 | 1 | Kit, Housing-Hydro LH | 99 | 116-4245 | 1 | Puller-Pulley ● |
| 16 | 116-8915 | 1 | Motor-Hydraulic | | | | |
| 17 | 116-7901 | 1 | Magnetic Plugs Service Kit | | | | |

● Not illustrated

RH Hydro Assembly No. 135-7904

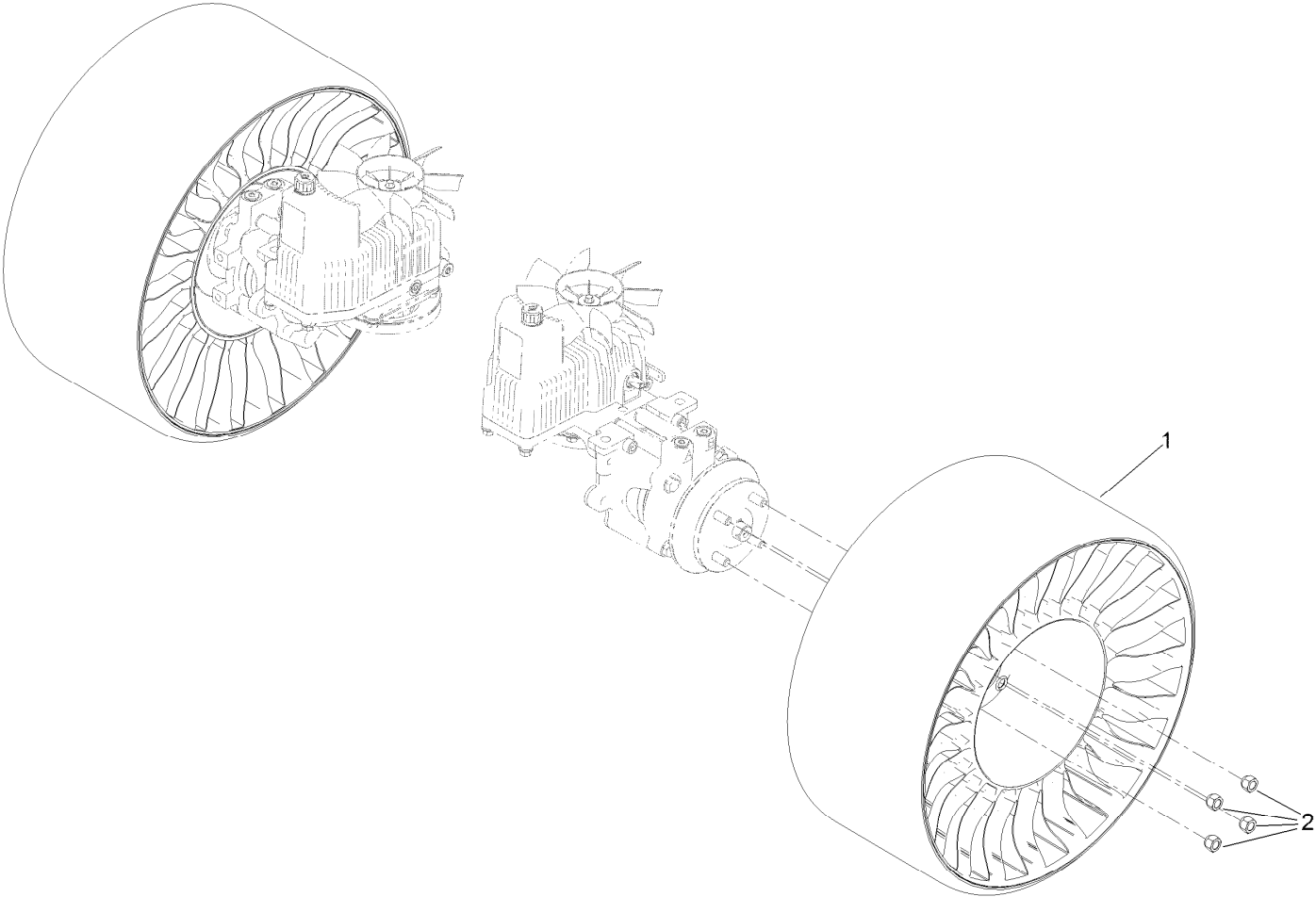


RH Hydro Assembly No. 135-7904 (continued)

| <i>Ref.</i> | <i>Part Number</i> | <i>Qty.</i> | <i>Description</i> | <i>Ref.</i> | <i>Part Number</i> | <i>Qty.</i> | <i>Description</i> |
|-------------|--------------------|-------------|--------------------------|-------------|--------------------|-------------|-----------------------------------|
| 1 | 135-7827 | 1 | Plate, Horse Shoe Mount | 17 | 116-7901 | 1 | Magnetic Plugs Service Kit |
| 2 | 142-3603 | 1 | Kit, 7.8 In Fan | 18 | 76-1900 | 2 | O-Ring |
| 3 | 116-0234 | 1 | Pulley Kit | 19 | 116-8662 | 2 | O-Ring-Valve, Check |
| 4 | 116-0235 | 1 | Handle | 20 | 116-8974 | 4 | Screw-HH 1/2-20 X 2 1/4 |
| 5 | 116-0236 | 1 | Dipstick | 21 | 116-8975 | 2 | Screw-HSH 1/2-20 X 2 3/4 |
| 6 | 116-0237 | 1 | Gasket | 22 | 116-9922 | 2 | Hydraulic Tube Kit |
| 7 | 116-1367 | 1 | Swash Block Kit | 23 | 126-7466 | 1 | Valve-Shock |
| 8 | 142-3604 | 1 | Kit, Pump Seal | 24 | 126-7711 | 1 | Seal-Drive, Fan |
| 9 | 116-1369 | 1 | Motor Seal Kit | 25 | 142-3608 | 1 | Kit, Pump Section 12Cc RH |
| 10 | 116-1370 | 1 | Tube Seal Kit | 26 | 142-4500 | 1 | Kit - 12Cc Port Plate, Rotate Grp |
| 11 | 116-1371 | 1 | Output Shaft Seal Kit | | | | |
| 12 | 116-5469 | 1 | Cup-Nose | 27 | 142-4459 | 1 | Shock Valve Orificed 3800 |
| 13 | 3257-42 | 1 | Key-Woodruff 5/16 X 1 | 28 | 146-3749 | 1 | Output Shaft- TI Uht Motor |
| 15 | 142-4461 | 1 | Kit, Housing-Hydro RH | 99 | 116-1373 | 1 | Flow Test Kit ● |
| 16 | 116-8916 | 1 | Motor-Hydraulic RH 240Cc | 99 | 116-4245 | 1 | Puller-Pulley ● |

● Not illustrated

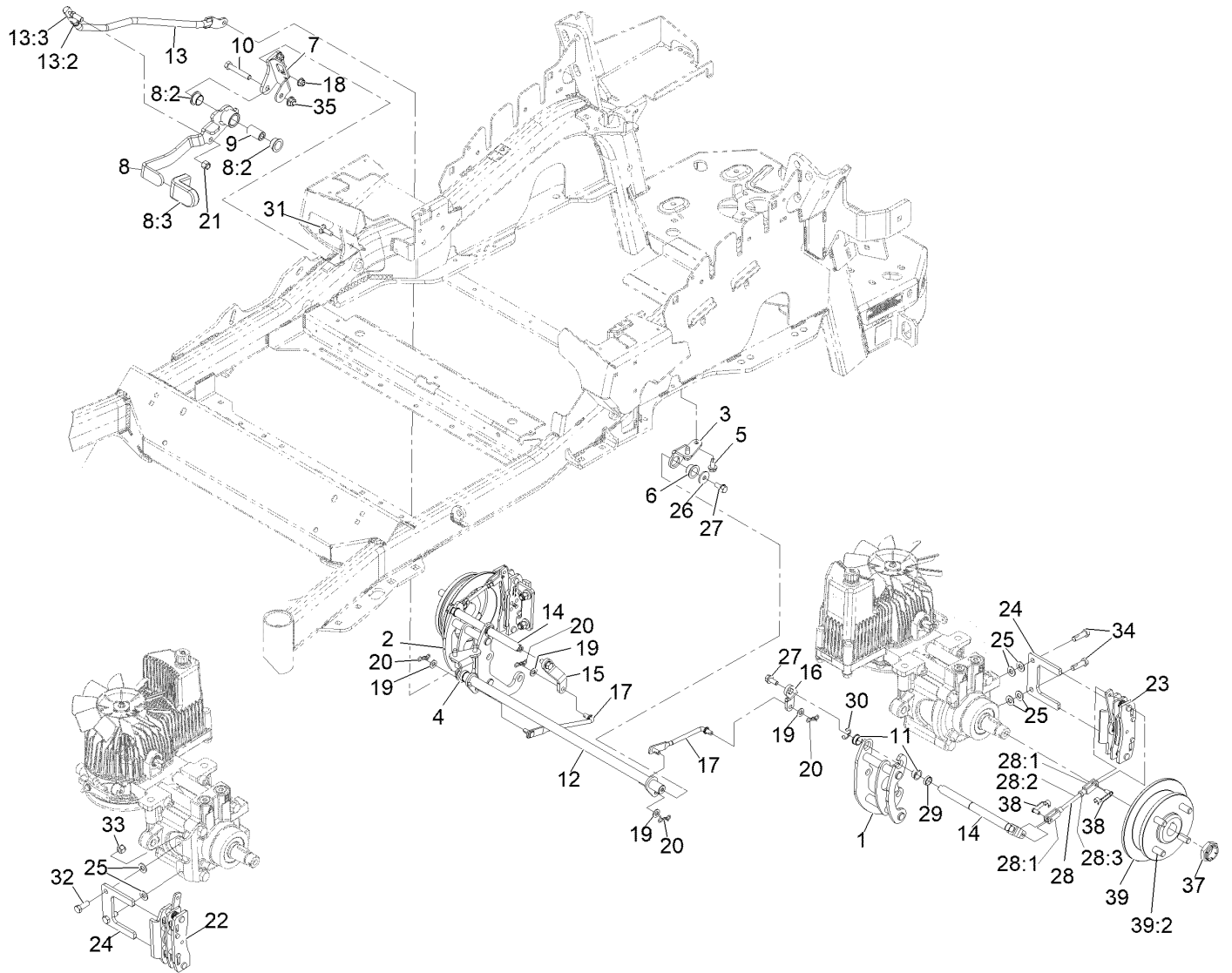
Rear Wheel Assembly



Rear Wheel Assembly (continued)

| <i>Ref.</i> | <i>Part Number</i> | <i>Qty.</i> | <i>Description</i> |
|-------------|--------------------|-------------|-----------------------|
| 1 | 139-7891 | 2 | 24X12N12 - Tweel Turf |
| 2 | 242-50 | 8 | Nut-Lug |

Park Brake Assembly

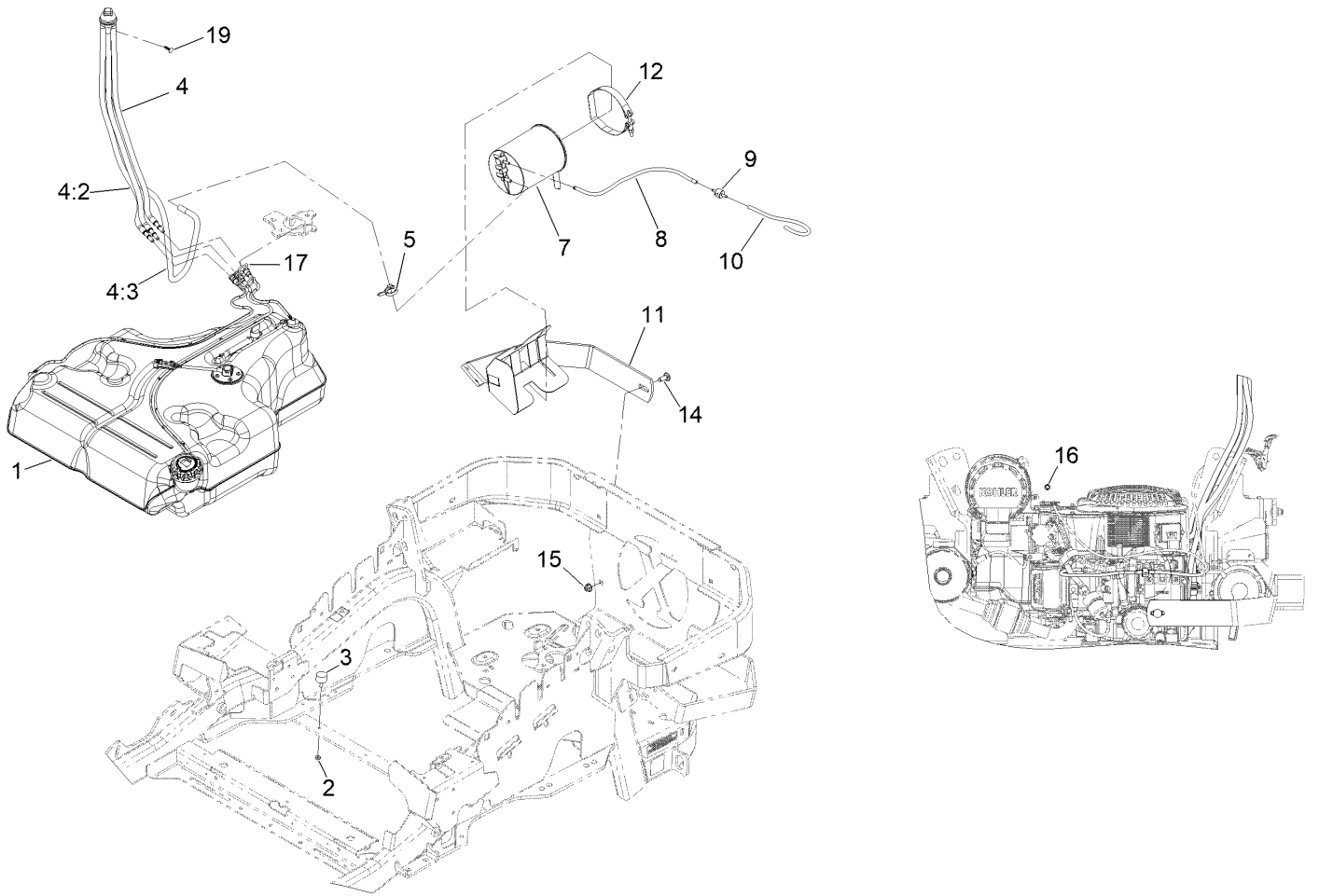


REAR VIEW OF
RIGHT HAND HYDRO

Park Brake Assembly (continued)

| <i>Ref.</i> | <i>Part Number</i> | <i>Qty.</i> | <i>Description</i> | <i>Ref.</i> | <i>Part Number</i> | <i>Qty.</i> | <i>Description</i> |
|-------------|--------------------|-------------|-------------------------------|-------------|--------------------|-------------|---------------------------|
| 1 | 126-4248 | 1 | Mount-Bellcrank, LH | 20 | 119-1415 | 4 | Pin-Cotter, Locking |
| 2 | 126-4249 | 1 | Mount-Bellcrank, RH | 21 | 3296-6 | 1 | Nut-Nyloc 3/8-24 |
| 3 | 116-9681 | 1 | Mount-Pivot, LH | 22 | 135-7440 | 1 | Caliper-Brake, RH |
| 4 | 116-9682 | 1 | Mount-Pivot, RH | 23 | 135-7441 | 1 | Caliper-Brake, LH |
| 5 | 32144-70 | 4 | Screw-HWH 5/16-18 X 3/4 Tf | 24 | 135-7828 | 2 | Plate-Mount, Brake |
| 6 | 109-8054 | 2 | Bushing-Flanged | 25 | 3256-24 | 6 | Washer-3/8 SAE |
| 7 | 116-9096-01 | 1 | Bracket-Mount | 26 | 115-7109 | 2 | Washer-Flat |
| 8 | 135-7565 | 1 | Brake Lever ASM | 27 | 98-9940 | 4 | Screw-HHF |
| 8:2 | 109-8054 | 2 | Bushing-Flanged | 28 | 126-7587 | 2 | Rear Linkage ASM |
| 8:3 | 132-4749 | 1 | Grip-Lever | 28:1 | 126-7588 | 2 | Yoke |
| 9 | 116-9117 | 1 | Pivot-Handle, Brake | 28:2 | 116-9069 | 1 | Linkage, Rear |
| 10 | 323-11 | 1 | Screw-HH 3/8-16 X 2 1/4 | 28:3 | 3220-1 | 1 | Nut-Jam 1/4-28 |
| 11 | 126-6199 | 4 | Bushing | 29 | 126-6200 | 2 | Spacer |
| 12 | 135-7800 | 1 | Shaft-Cross | 30 | 32120-19 | 2 | E-Ring |
| 13 | 135-7805 | 1 | ASM, Front Linkage | 31 | 3230-2 | 2 | Bolt-Carriage 5/16-18 X 1 |
| 13:2 | 94-7572 | 1 | End-Tie Rod, RH | 32 | 135-7915 | 2 | Screw-HH, |
| 13:3 | 3220-3 | 1 | Nut-Jam 3/8-24 | 33 | 112-0236 | 2 | Nut-Lock |
| 14 | 126-4251 | 2 | Bellcrank | 34 | 135-7890 | 2 | Screw-HH, Patch, |
| 15 | 126-3716 | 1 | Arm-Inner, RH | 35 | 104-8301 | 1 | Nut-Nyloc 3/8-16 Flg |
| 16 | 126-3715 | 1 | Arm-Inner, LH | 37 | 116-1399 | 2 | Locknut |
| 17 | 142-6328 | 2 | Mid-Link, Short | 38 | 126-6395 | 4 | Pin-Clevis, Spring |
| 18 | 104-8300 | 2 | Nut-Nyloc 5/16-18 Flg | 39 | 142-2701 | 2 | Wheel Hub ASM |
| 19 | 3256-23 | 4 | Washer-5/16 SAE | 39:2 | 116-1696 | 4 | Stud-Wheel |

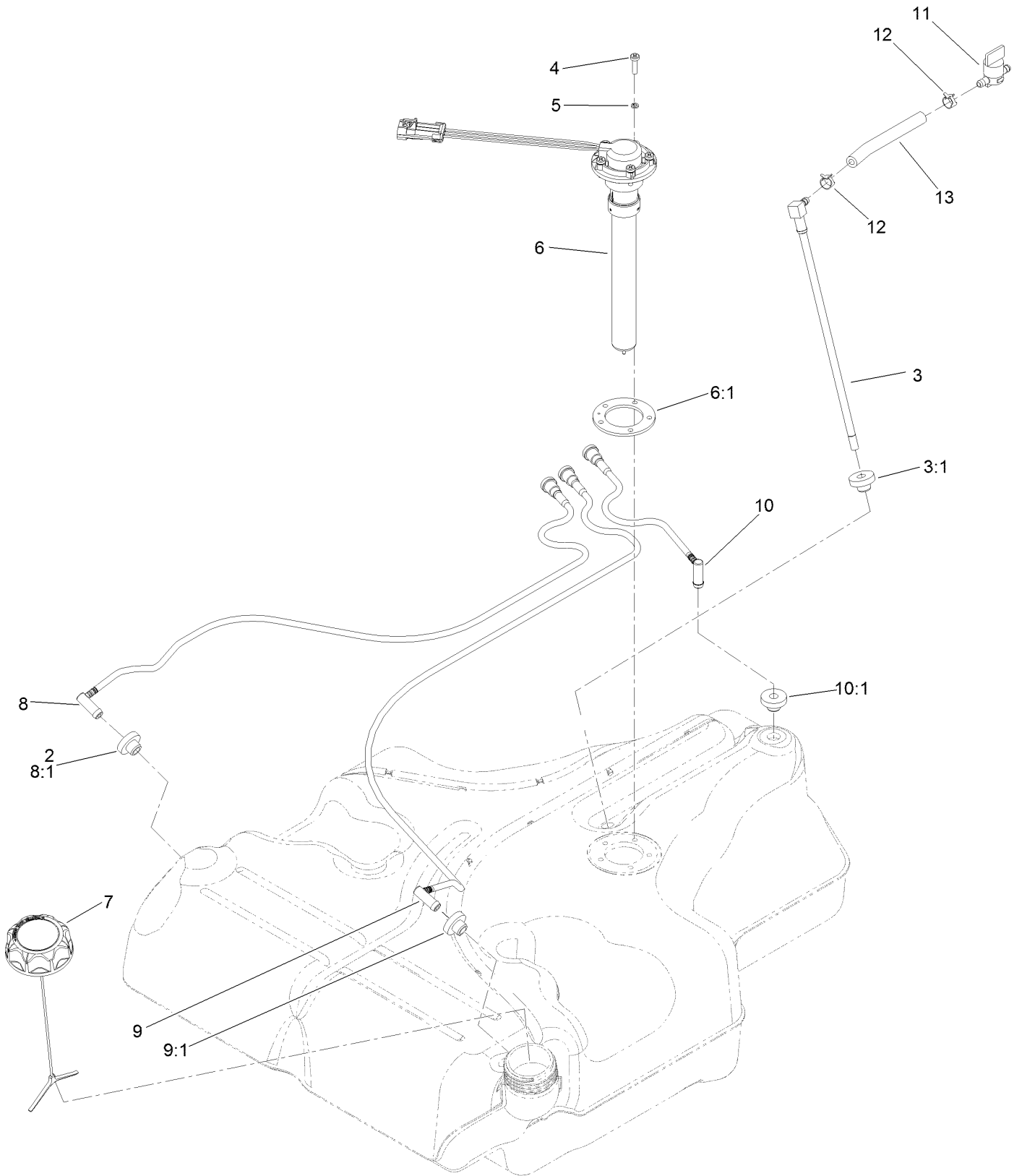
Fuel System Assembly



Fuel System Assembly (continued)

| <i>Ref.</i> | <i>Part Number</i> | <i>Qty.</i> | <i>Description</i> | <i>Ref.</i> | <i>Part Number</i> | <i>Qty.</i> | <i>Description</i> |
|-------------|--------------------|-------------|-------------------------|-------------|--------------------|-------------|--------------------------|
| 1 | 135-0643 | 1 | Fuel Tank ASM | 9 | 133-8499 | 1 | Valve-Check, Vacuum |
| 2 | 3218-1 | 2 | Nut-Jam 1/4-20 | 10 | 119-4235 | 1 | Hose-Vent, Formed |
| 3 | 1-523420 | 2 | Bumper | 11 | 116-1433-03 | 1 | Mount-Canister |
| 4 | 127-0583 | 1 | Fuel Manifold Vent ASM | 12 | 116-2228 | 1 | Clamp, T-Bolt |
| 4:2 | 109-0302 | 3 | Hose-Fuel Line 24" | 14 | 3231-22 | 1 | Bolt-Carriage 3/8-16 X 1 |
| 4:3 | 108-5376 | 1 | Hose-Fuel | 15 | 104-8301 | 1 | Nut-Nyloc 3/8-16 Flg |
| 5 | 105-1853 | 1 | Clamp-Hose | 16 | 116-4464 | 1 | Plug-Port |
| 7 | 116-1442 | 1 | Canister-Carbon, 1200Cc | 17 | 116-6005 | 1 | Retainer-Line, Vapor |
| 8 | 116-2963 | 1 | Hose-Vent, Formed | 19 | 125-8067 | 1 | Plug-Plastic |

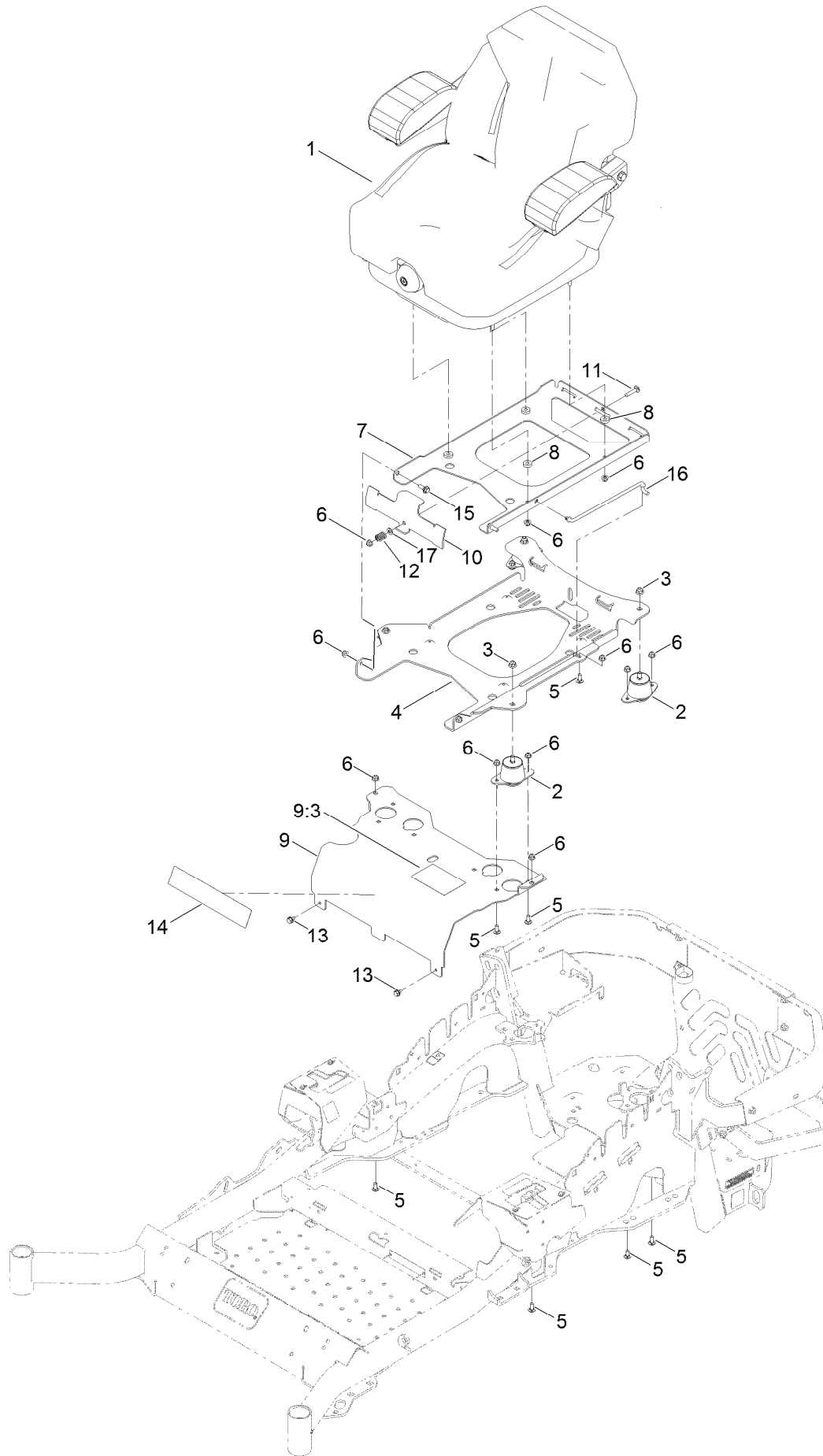
Fuel Tank Assembly No. 135-0643



Fuel Tank Assembly No. 135-0643 (continued)

| <i>Ref.</i> | <i>Part Number</i> | <i>Qty.</i> | <i>Description</i> | <i>Ref.</i> | <i>Part Number</i> | <i>Qty.</i> | <i>Description</i> |
|-------------|--------------------|-------------|---------------------------------|-------------|--------------------|-------------|-----------------------------------|
| 2 | 46-6560 | 4 | Bushing | 8:1 | 46-6560 | 1 | Bushing |
| 3 | 116-2459 | 1 | Fuel Line Kit (With Grommet) | 9 | 116-2461 | 1 | LH Vent Line Kit (With Grommet) |
| 3:1 | 46-6560 | 1 | Bushing | 9:1 | 46-6560 | 1 | Bushing |
| 4 | 3290-500 | 5 | Screw-PPH | 10 | 116-2462 | 1 | Rear Vent Line Kit (With Grommet) |
| 5 | 3253-17 | 5 | Washer-Lock | 10:1 | 46-6560 | 1 | Bushing |
| 6 | 126-3913 | 1 | Float-Sender, Fuel | 11 | 1-603770 | 1 | Valve-Fuel |
| 6:1 | 126-3950 | 1 | Gasket-Sender | 12 | 2412-98 | 2 | Clamp-Hose |
| 7 | 126-1789 | 1 | Cap-Fuel, Ratcheting | 13 | 109-0650 | 1 | Hose-Fuel |
| 8 | 116-2460 | 1 | RH Vent Line Kit (With Grommet) | | | | |

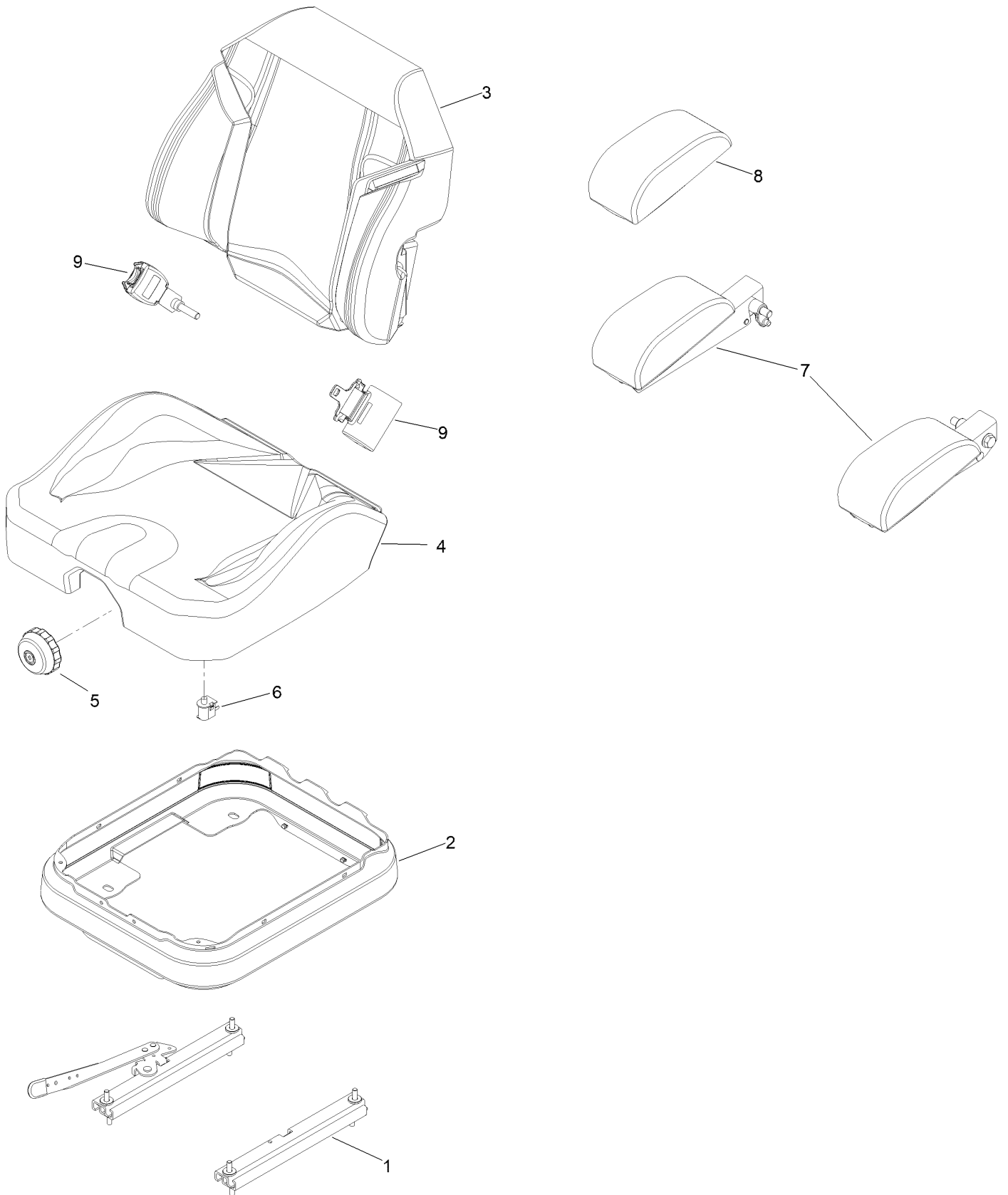
Seat Mounting Assembly



Seat Mounting Assembly (continued)

| <i>Ref.</i> | <i>Part Number</i> | <i>Qty.</i> | <i>Description</i> | <i>Ref.</i> | <i>Part Number</i> | <i>Qty.</i> | <i>Description</i> |
|-------------|--------------------|-------------|--------------------------|-------------|--------------------|-------------|--------------------|
| 1 | 147-4984 | 1 | Seat-Suspension | 9:3 | 125-9383 | 1 | Decal-Service Aid |
| 2 | 109-9034 | 4 | Isolator-Seat | 10 | 109-9881-03 | 1 | Plate-Latch, Seat |
| 3 | 104-8301 | 4 | Nut-HF, NI | 11 | 3230-4 | 1 | Bolt-CARR |
| 4 | 116-3860-03 | 1 | Plate-Tilt, Seat Support | 12 | 107-3017 | 1 | Spring-Compression |
| 5 | 3230-23 | 11 | Bolt-CARR | 13 | 9266934 | 2 | Screw |
| 6 | 104-8300 | 18 | Nut-HF, NI | 14 | 140-1215 | 1 | Decal-Console |
| 7 | 116-3859-03 | 1 | Plate-Frame, Seat | 15 | 116-1297 | 2 | Screw-Shoulder |
| 8 | 26-4840 | 4 | Spacer-Pin, Mounting | 16 | 116-0070 | 1 | Rod-Prop |
| 9 | 125-9385 | 1 | Seat Mount ASM | 17 | 3256-23 | 1 | Washer-Plain |

Seat Assembly No. 147-4984

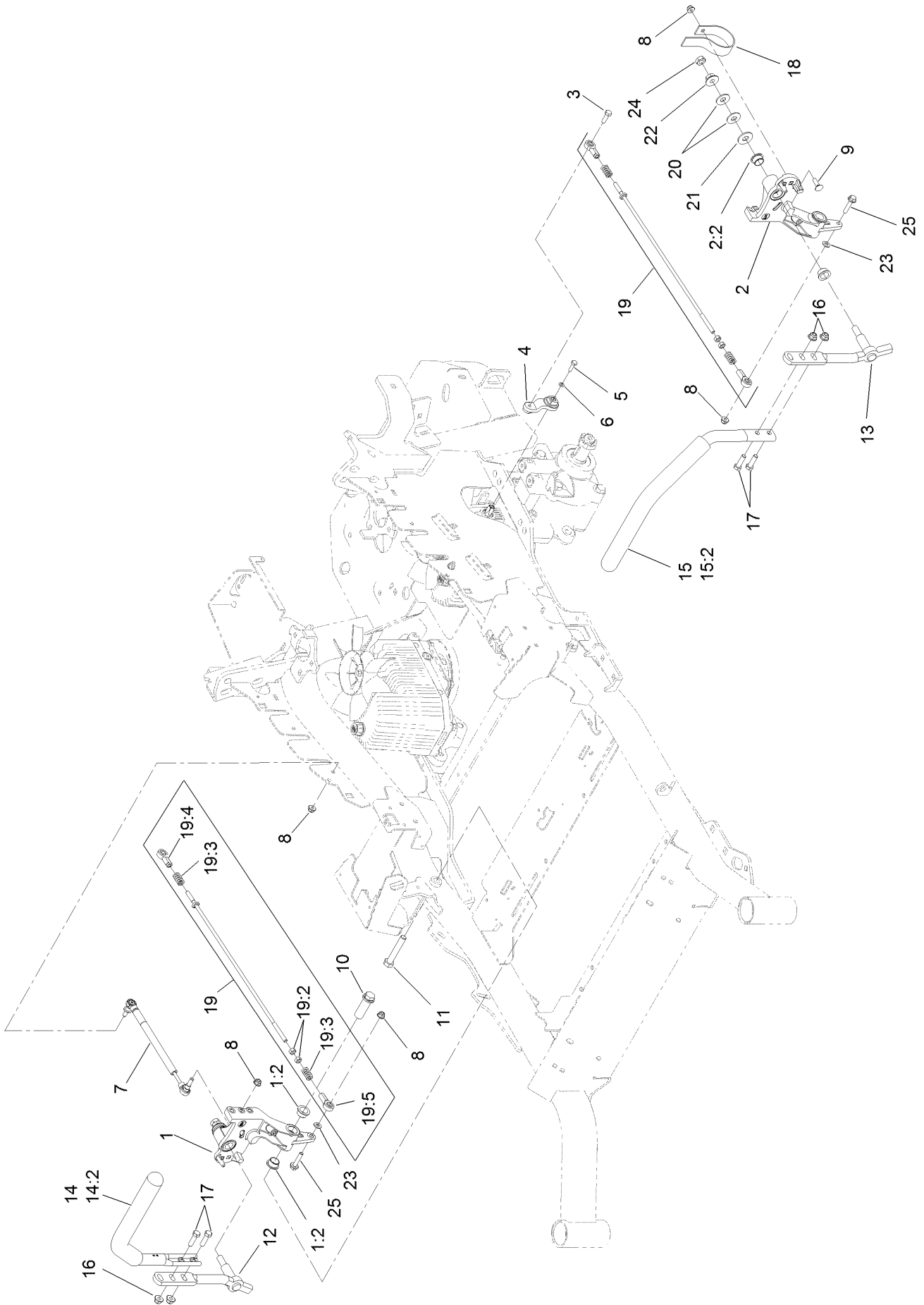


Seat Assembly No. 147-4984 (continued)

| <i>Ref.</i> | <i>Part Number</i> | <i>Qty.</i> | <i>Description</i> |
|-------------|--------------------|-------------|--------------------------|
| 1 | 140-8012 | 1 | Seat Track Set |
| 2 | 116-5659 | 1 | Cover-Suspension Bellows |
| 3 | 140-8004 | 1 | Cover-Back |
| 4 | 140-8005 | 1 | Cover-Cushion |
| 5 | 116-8911 | 1 | Knob-Adjuster |

| <i>Ref.</i> | <i>Part Number</i> | <i>Qty.</i> | <i>Description</i> |
|-------------|--------------------|-------------|-----------------------|
| 6 | 82-2190 | 1 | Switch-Bail |
| 7 | 147-4985 | 1 | Armrest Kit |
| 8 | 109-9802 | 1 | Arm Rest Pad Set |
| 9 | 126-2061 | 1 | Seat Belt Service Kit |

Motion Control Assembly

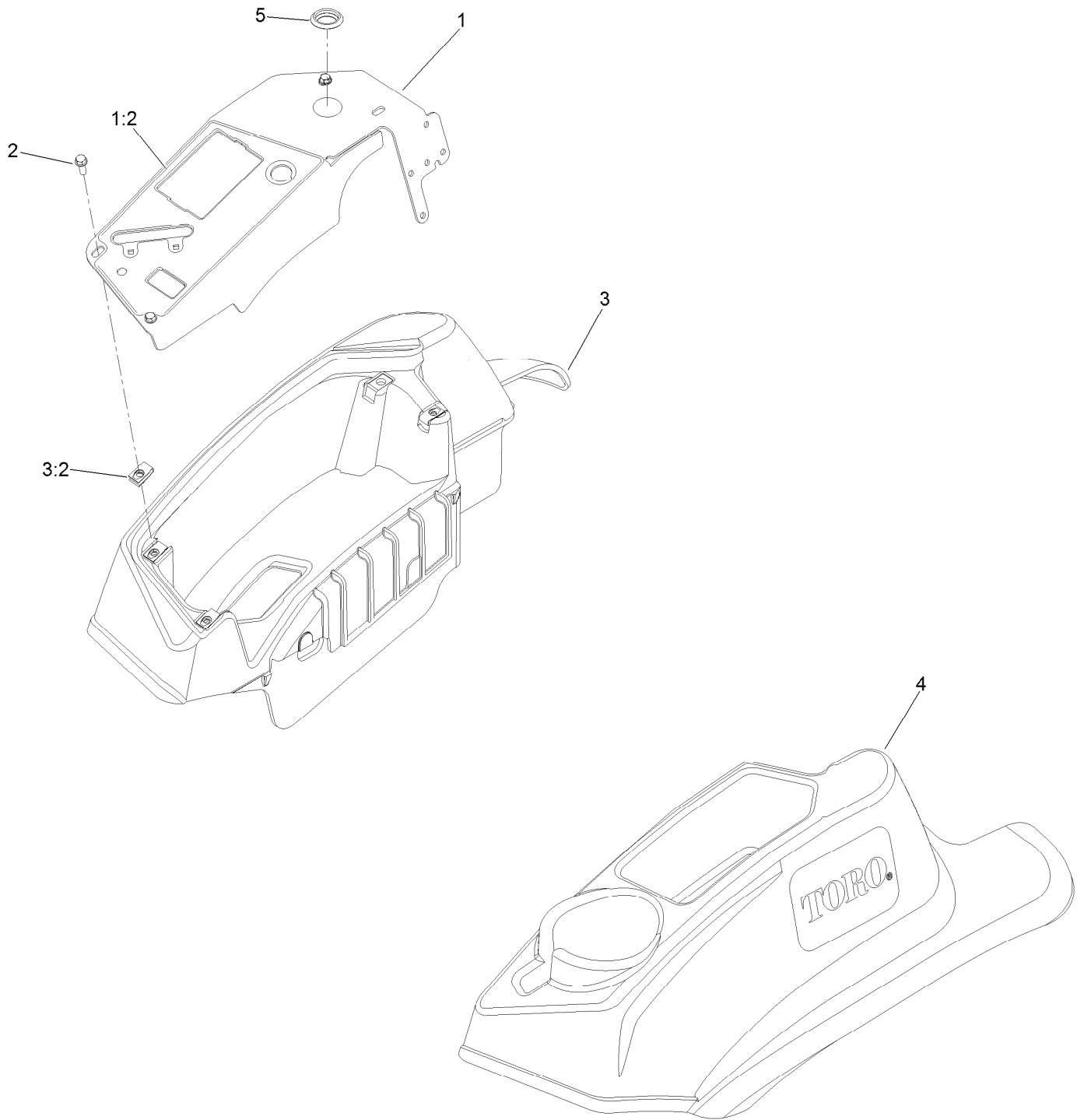


Motion Control Assembly (continued)

| <i>Ref.</i> | <i>Part Number</i> | <i>Qty.</i> | <i>Description</i> | <i>Ref.</i> | <i>Part Number</i> | <i>Qty.</i> | <i>Description</i> |
|-------------|--------------------|-------------|-----------------------------------|-------------|--------------------|-------------|------------------------|
| 1 | 116-0880 | 1 | RH Motion Control And Bushing ASM | 14 | 135-4371 | 1 | RH Handle ASM |
| 1:2 | 109-8054 | 4 | Bushing-Flange | 14:2 | 109-5668 | 1 | Grip-Lever, Control |
| 2 | 116-0881 | 1 | LH Motion Control And Bushing ASM | 15 | 135-4373 | 1 | LH Handle ASM |
| 2:2 | 109-8054 | 4 | Bushing-Flange | 15:2 | 109-5668 | 1 | Grip-Lever, Control |
| 3 | 116-0648 | 2 | Screw-HH, Thread Locking ● | 16 | 104-8301 | 4 | Nut-HF, NI |
| 4 | 109-4581 | 2 | Arm-Control, Pump | 17 | 323-7 | 4 | Screw-HH |
| 5 | 9080046 | 2 | Screw-HH ● | 18 | 109-5575 | 2 | Spring-Leaf |
| 6 | 1-303435 | 2 | Washer-Spring | 19 | 109-8106 | 2 | Front Pump Linkage ASM |
| 7 | 116-0027 | 2 | Damper-Control, Motion | 19:2 | 3219-2 | 2 | Nut-Hex |
| 8 | 104-8300 | 8 | Nut-HF, NI | 19:3 | 1-323245 | 2 | Spring-Compression |
| 9 | 3230-2 | 2 | Bolt-CARR | 19:4 | 1-633152 | 1 | Balljoint-LH |
| 10 | 109-5891 | 2 | Hub-Threaded | 19:5 | 1-543017 | 1 | Balljoint-RH |
| 11 | 325-12 | 2 | Screw-HH | 20 | 109-9505 | 4 | Washer-Spring |
| 12 | 116-0039 | 1 | Lever-Control Motion, RH | 21 | 3256-6 | 2 | Washer-Flat |
| 13 | 116-0040 | 1 | Lever-Control Motion, LH | 22 | 32128-56 | 2 | Nut-HF |
| | | | | 23 | 3256-23 | 2 | Washer-Plain |
| | | | | 24 | 3218-5 | 2 | Nut-Jam |
| | | | | 25 | 115-1794 | 2 | Screw-HHF |

● Use Pro-Lock, Nut Type (P/N 1-840022, .5ml tube) on threads.

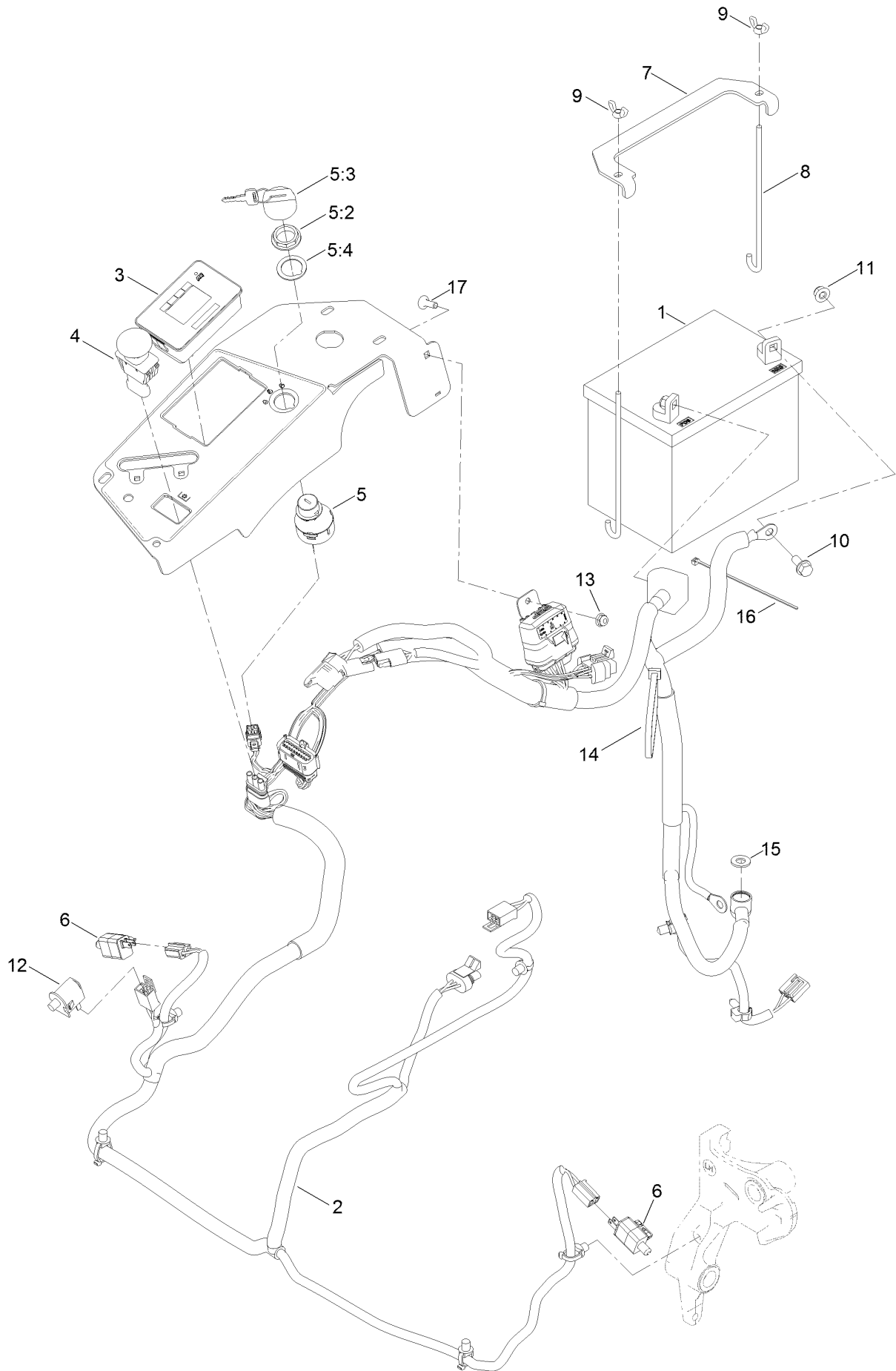
Control Console Assembly



Control Console Assembly (continued)

| <i>Ref.</i> | <i>Part Number</i> | <i>Qty.</i> | <i>Description</i> | <i>Ref.</i> | <i>Part Number</i> | <i>Qty.</i> | <i>Description</i> |
|-------------|--------------------|-------------|----------------------|-------------|--------------------|-------------|--------------------|
| 1 | 137-9200 | 1 | Control Panel ASM | 3:2 | 107069 | 4 | Clip |
| 1:2 | 137-9208 | 1 | Decal-Panel, Control | 4 | 119-2602 | 1 | Console-LH |
| 2 | 32105-15 | 4 | Screw-HWH | 5 | 116-1875 | 1 | Plug-Plastic |
| 3 | 119-2603 | 1 | RH Console ASM | | | | |

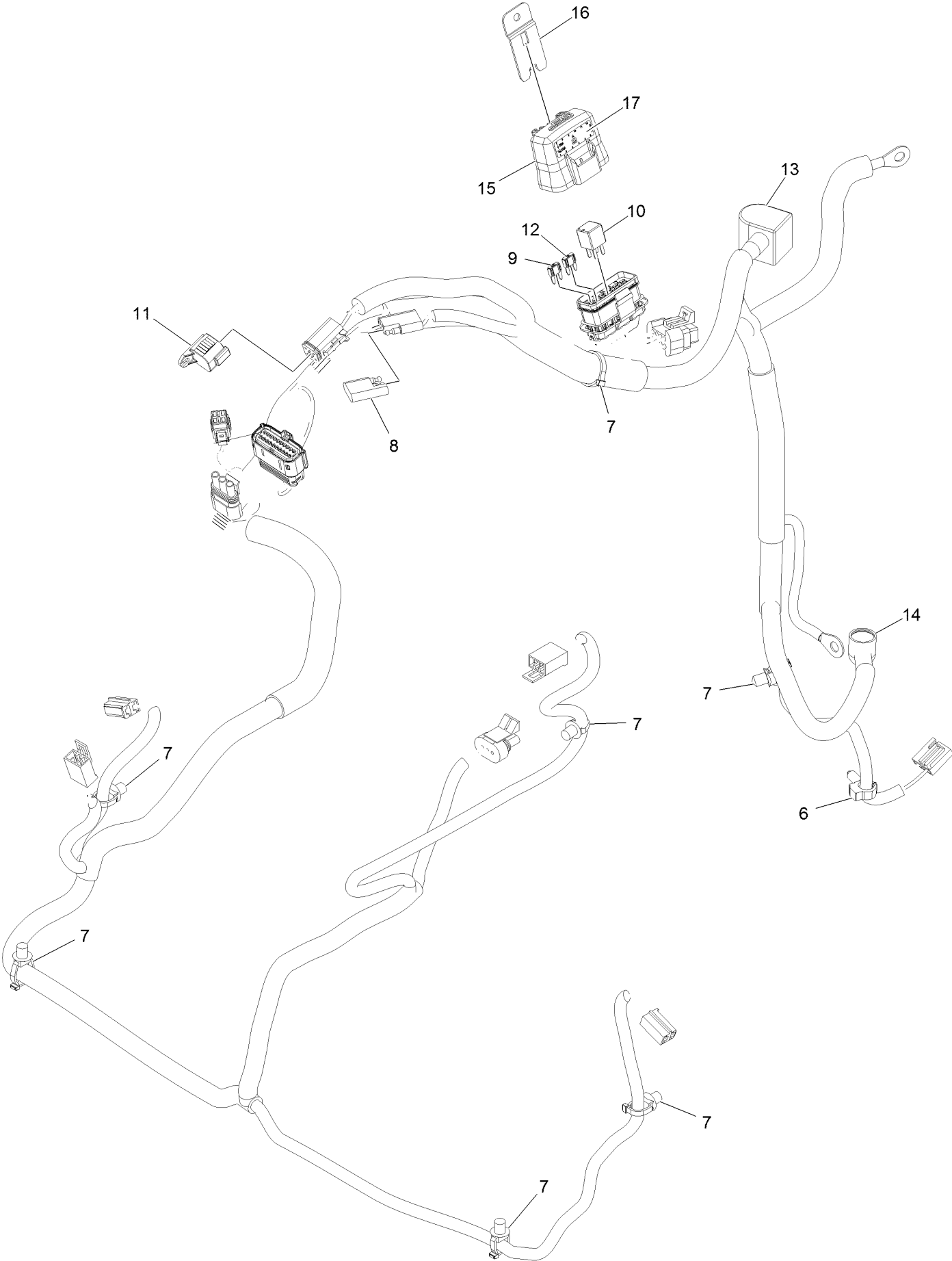
Electrical Assembly



Electrical Assembly (continued)

| <i>Ref.</i> | <i>Part Number</i> | <i>Qty.</i> | <i>Description</i> | <i>Ref.</i> | <i>Part Number</i> | <i>Qty.</i> | <i>Description</i> |
|-------------|--------------------|-------------|-------------------------|-------------|--------------------|-------------|--------------------|
| 1 | 104-8162 | 1 | Battery | 8 | 1-633651 | 2 | Bolt-Holddown |
| 2 | 135-5753 | 1 | Wire Harness ASM | 9 | 1-543792 | 2 | Wingnut |
| 3 | 135-2471 | 1 | Meter-Hour | 10 | 3234-5 | 2 | Screw-HHF |
| 4 | 126-6187 | 1 | Switch-PTO, Sealed | 11 | 104-8300 | 2 | Nut-HF, NI |
| 5 | 126-6285 | 1 | Ignition Switch ASM | 12 | 82-2190 | 1 | Switch-Bail |
| 5:2 | 108-8660 | 1 | Nut-Mounting | 13 | 104-7201 | 1 | Nut-HF, NI |
| 5:3 | 106-5270 | 1 | Ignition Key Set | 14 | 3290-378 | 1 | Tie-Cable |
| 5:4 | 108-8659 | 1 | Washer-Backup | 15 | 3256-24 | 1 | Washer-Plain |
| 6 | 110-6765 | 2 | Switch | 16 | 1-303287 | 1 | Tie-Cable |
| 7 | 116-0042-03 | 1 | Strap-Tie Down, Battery | 17 | 1-807512 | 1 | Bolt-CARR |

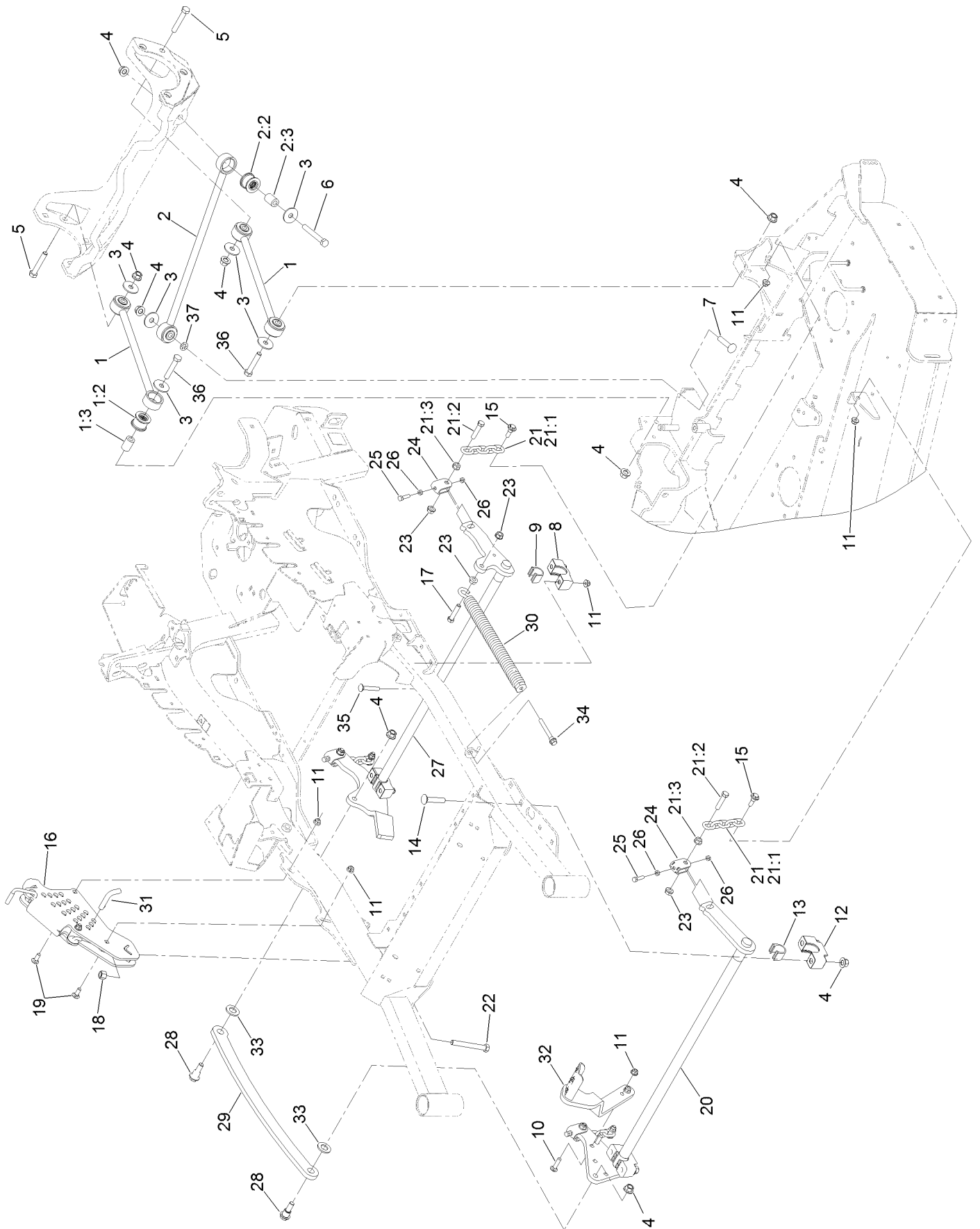
Wire Harness Assembly No. 135-5753



Wire Harness Assembly No. 135-5753 (continued)

| <i>Ref.</i> | <i>Part Number</i> | <i>Qty.</i> | <i>Description</i> | <i>Ref.</i> | <i>Part Number</i> | <i>Qty.</i> | <i>Description</i> |
|-------------|--------------------|-------------|-------------------------|-------------|--------------------|-------------|-------------------------|
| 6 | 32180-037 | 1 | Clip-Harness | 12 | 121-8867 | 1 | Fuse-Mini Blade, 15 Amp |
| 7 | 32180-030 | 7 | Clip-Tie | 13 | 126-8876 | 1 | Insulator-Battery |
| 8 | 32180-197 | 1 | Cap-Plug | 14 | 1-543393 | 1 | Insulator-Solenoid |
| 9 | 121-8868 | 1 | Fuse-Mini Blade, 20 Amp | 15 | 32180-176 | 1 | Cover-Block, Fuse |
| 10 | 126-3991 | 1 | Relay-Micro | 16 | 32180-177 | 1 | Clip-Mounting |
| 11 | 32180-156 | 1 | Cap-Plug, 6 Way | 17 | 126-7875 | 1 | Decal-Fuse |

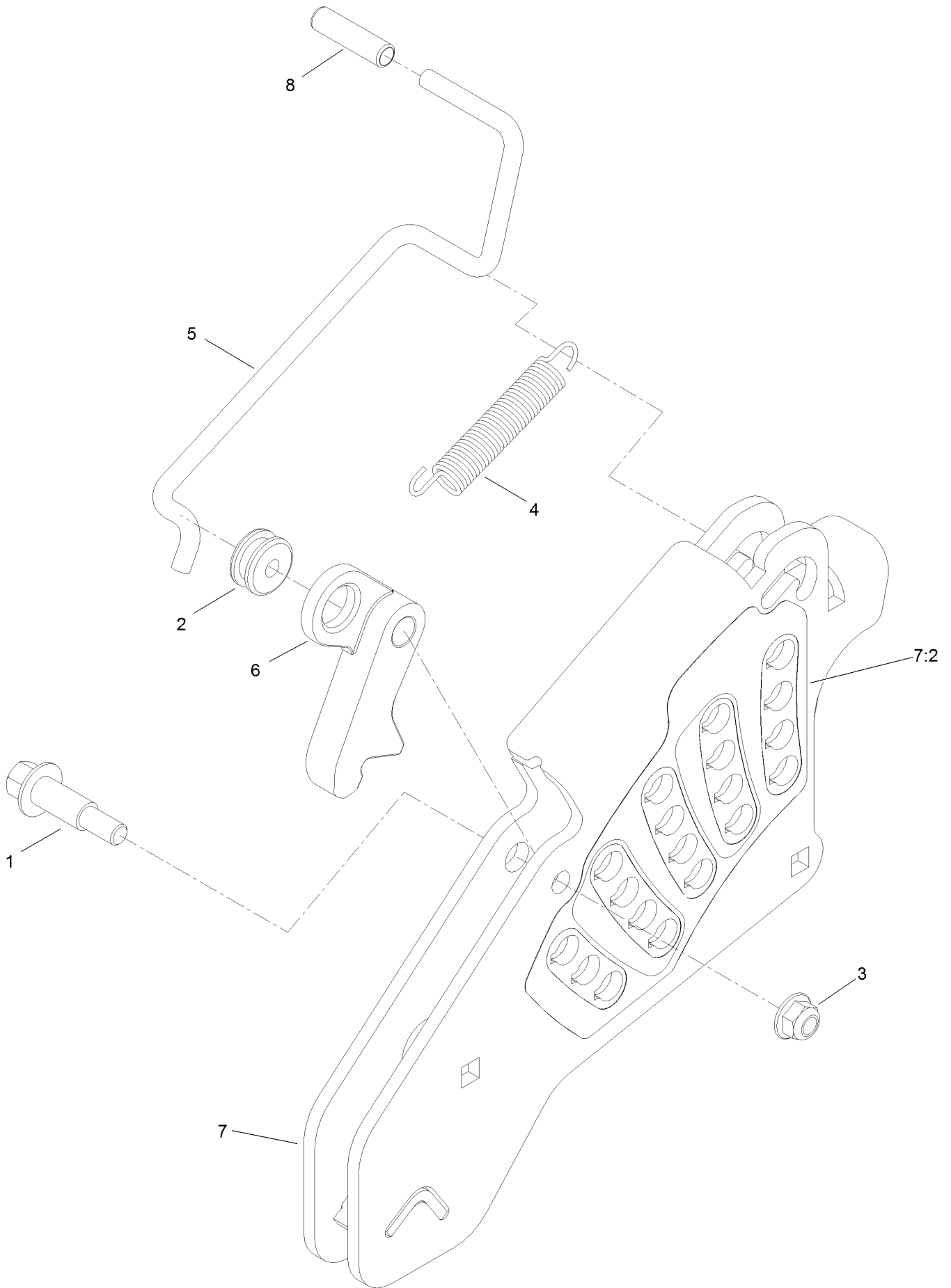
Deck Lift Assembly



Deck Lift Assembly (continued)

| <i>Ref.</i> | <i>Part Number</i> | <i>Qty.</i> | <i>Description</i> | <i>Ref.</i> | <i>Part Number</i> | <i>Qty.</i> | <i>Description</i> |
|-------------|--------------------|-------------|---|-------------|--------------------|-------------|---------------------|
| 1 | 109-7952 | 2 | Deck Strut ASM | 17 | 109-9065 | 1 | Screw-HH |
| 1:2 | 109-5009 | 2 | Bushing-Suspension, Rubber | 18 | 3296-23 | 1 | Nut-Lock, NI |
| 1:3 | 109-5010 | 2 | Spacer | 19 | 3231-2 | 2 | Bolt-CARR |
| 2 | 109-5013 | 1 | Panhard Rod ASM | 20 | 126-2475-03 | 1 | Decklift-Front |
| 2:2 | 109-5009 | 2 | Bushing-Suspension, Rubber | 21 | 116-0756 | 4 | Deck Lift Chain ASM |
| 2:3 | 109-5010 | 2 | Spacer | 21:1 | 1-633447 | 1 | Chain-Lift, Deck |
| 3 | 86-1990 | 6 | Washer-Thrust | 21:2 | 109-9065 | 1 | Screw-HH |
| 4 | 99-5107 | 12 | Nut-Lock | 21:3 | 32128-37 | 1 | Nut-HF |
| 5 | 325-12 | 2 | Screw-HH | 22 | 116-0559 | 1 | Bolt-TAP |
| 6 | 325-17 | 1 | Screw-HH | 23 | 32128-37 | 6 | Nut-HF |
| 7 | 3233-34 | 1 | Screw-CARR | 24 | 109-9066 | 4 | Yoke-Adjust, Deck |
| 8 | 127-0553 | 2 | Support-Bearing, Cross Shaft (Rear) | 25 | 322-47 | 4 | Screw-HH |
| 9 | 109-7173 | 2 | Bearing-Cross Shaft, Rear | 26 | 3218-2 | 8 | Nut-Hex Jam |
| 10 | 3231-4 | 2 | Screw-CARR | 27 | 116-0459-03 | 1 | Lift-Deck, Rear |
| 11 | 104-8301 | 12 | Nut-HF, NI | 28 | 116-0780 | 2 | Screw-Shoulder, HHF |
| 12 | 109-9409 | 2 | Support-Bearing, Cross Shaft (Front) | 29 | 116-0797-03 | 1 | Link-Lift, Deck |
| 13 | 109-9410 | 2 | Bearing-Cross Shaft, Front | 30 | 116-0000 | 1 | Spring-Extension |
| 14 | 116-1700 | 4 | Bolt-CARR | 31 | 116-5584 | 1 | Pin-HOC |
| 15 | 109-9840 | 4 | Screw-Shoulder, HHF | 32 | 116-1919-01 | 1 | Lever-Foot |
| 16 | 109-7438 | 1 | HOC ASM | 33 | 3256-28 | 2 | Washer-Flat |
| | | | | 34 | 92-7674 | 1 | Bolt-Shoulder |
| | | | | 35 | 3231-7 | 4 | Screw-CARR |
| | | | | 36 | 325-11 | 2 | Screw-HH |
| | | | | 37 | 126-2916 | 1 | Nut-Push |

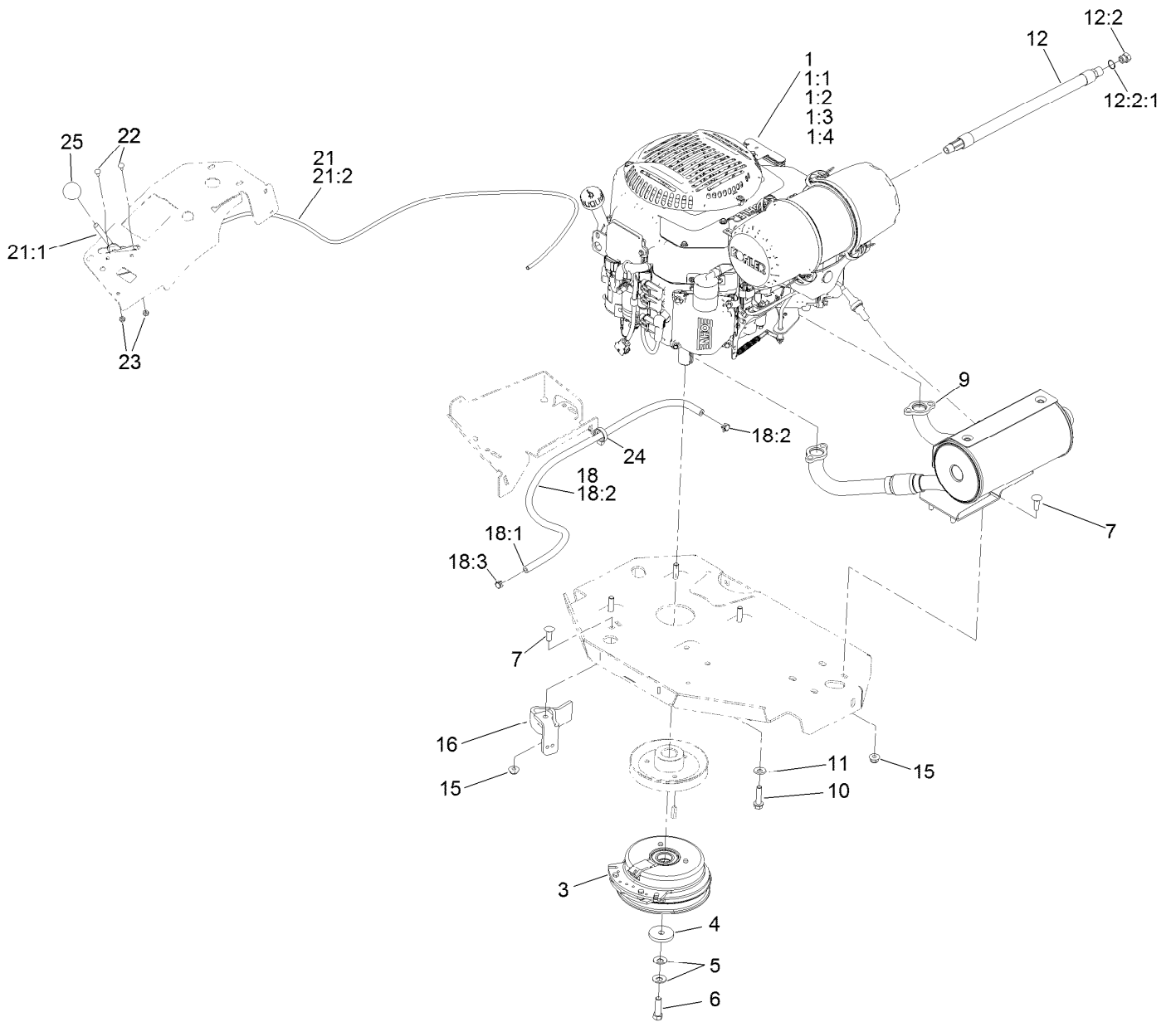
Height-of-Cut Assembly No. 109-7438



Height-of-Cut Assembly No. 109-7438 (continued)

| <i>Ref.</i> | <i>Part Number</i> | <i>Qty.</i> | <i>Description</i> | <i>Ref.</i> | <i>Part Number</i> | <i>Qty.</i> | <i>Description</i> |
|-------------|--------------------|-------------|---------------------|-------------|--------------------|-------------|---------------------|
| 1 | 62-1330 | 1 | Bolt-Shoulder | 6 | 116-0118 | 1 | Pawl-Transport, HOC |
| 2 | 109-7130 | 1 | Grommet | 7 | 109-7335 | 1 | HOC Plate ASM |
| 3 | 104-8301 | 1 | Nut-HF, NI | 7:2 | 126-4398 | 1 | Decal-HOC |
| 4 | 109-7124 | 1 | Spring-Extension | 8 | 109-8250 | 1 | Grip-Lever |
| 5 | 109-7128 | 1 | Rod-Lock, Transport | | | | |

Engine Assembly



Engine Assembly (continued)

| <i>Ref.</i> | <i>Part Number</i> | <i>Qty.</i> | <i>Description</i> | <i>Ref.</i> | <i>Part Number</i> | <i>Qty.</i> | <i>Description</i> |
|-------------|--------------------|-------------|--|-------------|--------------------|-------------|----------------------|
| 1 | | 1 | Engine-Kohler Ecv749-3064 ▲◆ | 11 | 98-5975 | 4 | Washer-Belleville |
| 1:1 | | 1 | Kohler 52 050 02-S Engine Oil Filter ▲◆ | 12 | 116-5316 | 1 | Oil Drain Hose ASM ■ |
| 1:2 | | 1 | Kohler 25 083 01-S Engine Air Filter ▲◆ | 12:2 | 353-508 | 1 | Plug-HH ● |
| 1:3 | | 1 | Kohler 25 083 04-S Safety Filter ▲◆ | 12:2:1 | 237-42 | 1 | O-Ring |
| 1:4 | | 1 | Kohler 25 050 42-S Fuel Filter ▲ | 15 | 104-8301 | 5 | Nut-HF, NI |
| 3 | 116-1620 | 1 | Clutch Kit | 16 | 116-2612-01 | 1 | Clutch-Anchor |
| 4 | 109-6919 | 1 | Washer-Plain | 18 | 117-3893 | 1 | Fuel Line ASM |
| 5 | 1-603610 | 2 | Washer-Spring | 18:1 | 109-0273 | 1 | Hose-Fuel |
| 6 | 109-9761 | 1 | Screw-HH □ | 18:2 | 117-3892 | 1 | Sleeve-Thermal |
| 7 | 3231-22 | 5 | Screw-CARR | 18:3 | 2412-98 | 2 | Clamp-Hose |
| 9 | 142-6858 | 1 | Kit,Muffler | 21 | 115-2752 | 1 | Throttle Control ASM |
| 10 | 32144-102 | 4 | Screw-HWH | 21:1 | 112-2334 | 1 | Lever-Throttle |
| | | | | 21:2 | 115-3868 | 1 | Cable-Throttle |
| | | | | 22 | 1-807513 | 2 | Bolt-CARR |
| | | | | 23 | 3296-2 | 2 | Nut-Lock, NI |
| | | | | 24 | 105-1853 | 1 | Clamp-Hose |
| | | | | 25 | 1-603175 | 1 | Knob-Ball |

● Torque to 24-26 ft-lb

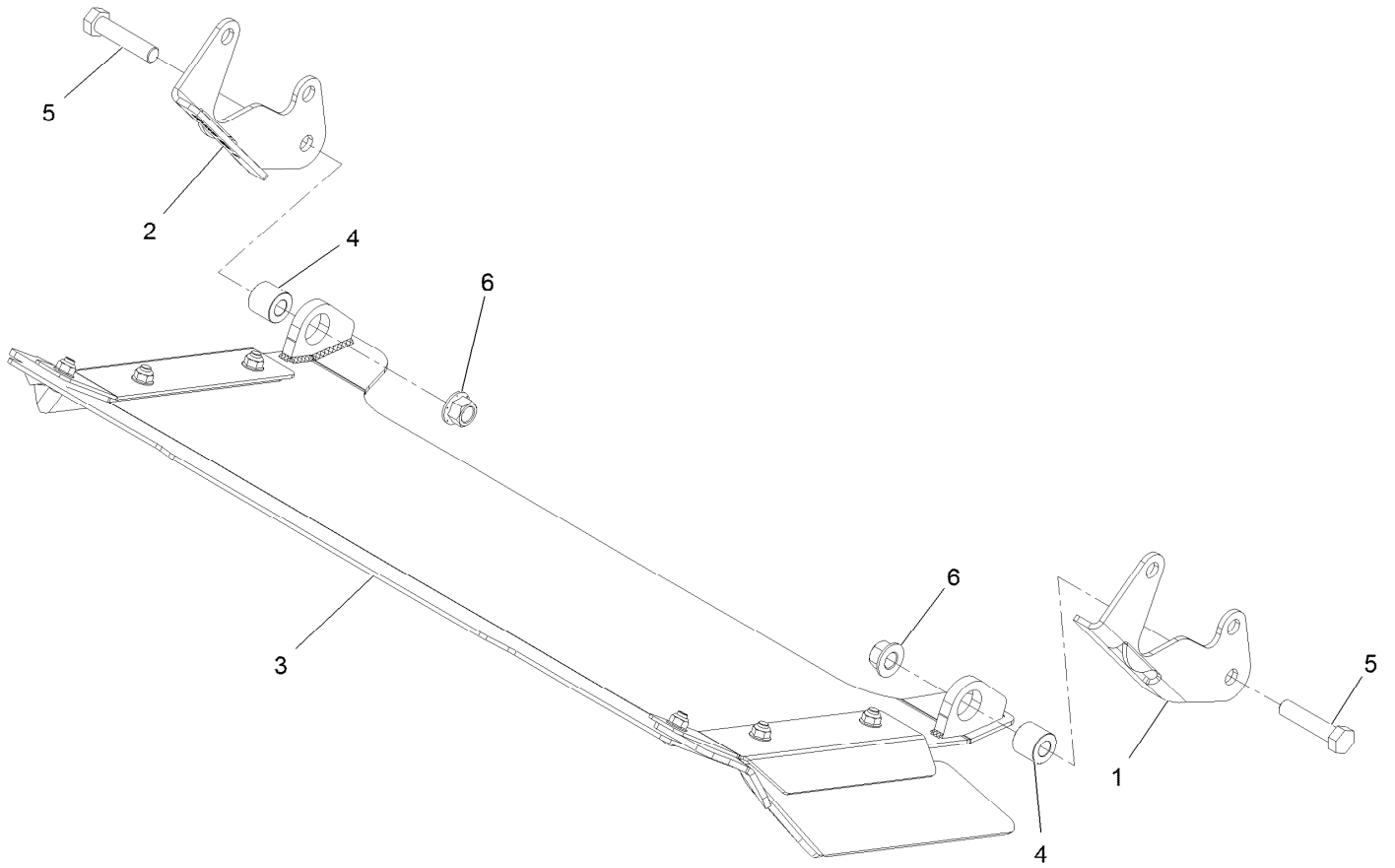
▲ Not serviced separately

□ Use Pro-Lock, Nut Type (P/N 1-840022, .5ml tube) on threads.

■ Torque to 17-23 ft-lb

◆ Obtain parts from www.kohlerplus.com

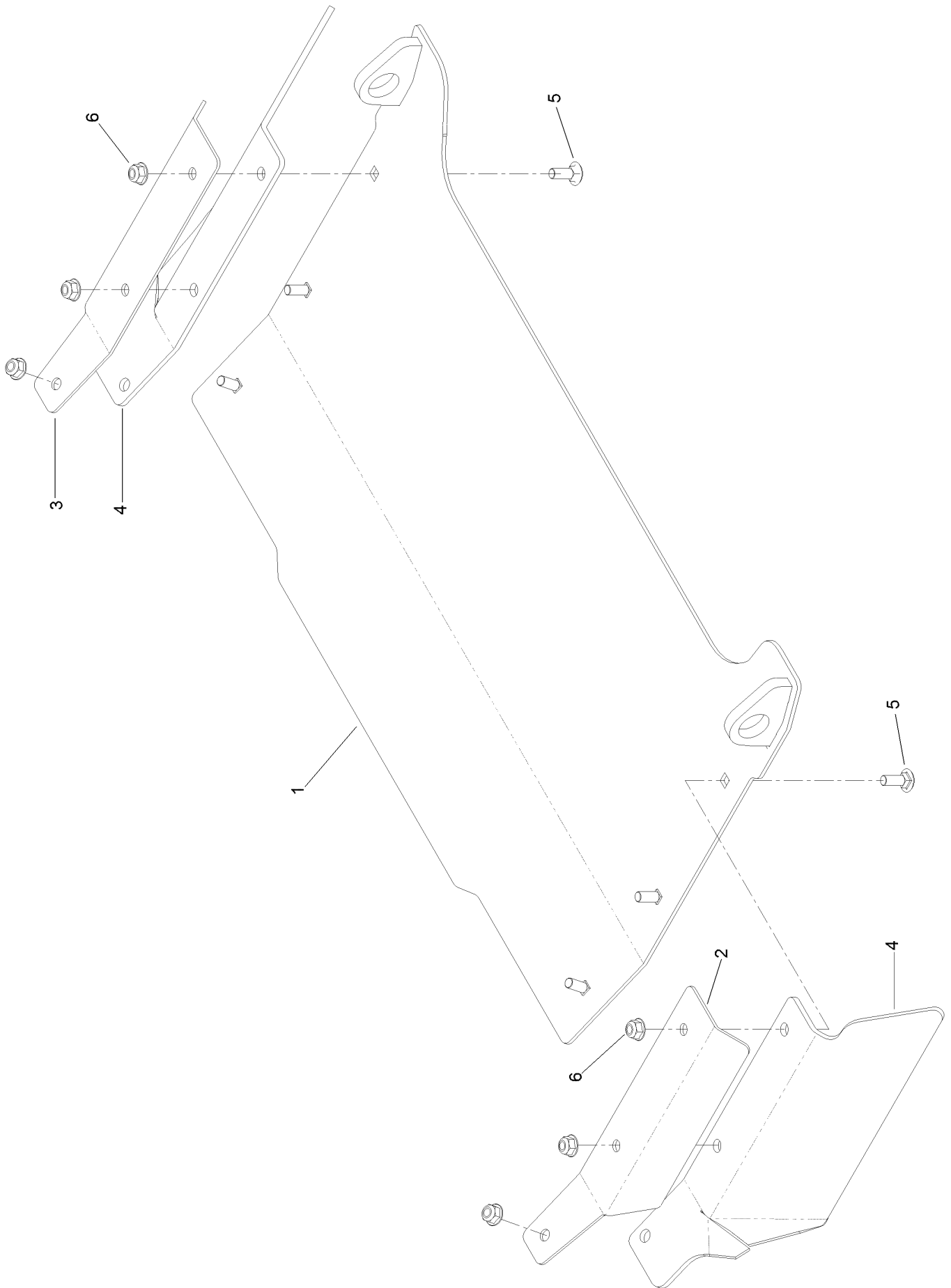
Rear Discharge Tunnel



Rear Discharge Tunnel (continued)

| <i>Ref.</i> | <i>Part Number</i> | <i>Qty.</i> | <i>Description</i> | <i>Ref.</i> | <i>Part Number</i> | <i>Qty.</i> | <i>Description</i> |
|-------------|--------------------|-------------|--------------------------------|-------------|--------------------|-------------|----------------------|
| 1 | 125-9369-03 | 1 | Bracket-Discharge Mount, LH | 3 | 126-4933 | 1 | Discharge Tunnel ASM |
| 2 | 125-9370-03 | 1 | Bracket-Discharge Mount, RH | 4 | 126-1705 | 2 | Bushing-Sleeve |
| | | | | 5 | 325-9 | 2 | Screw-HH |
| | | | | 6 | 99-5107 | 2 | Nut-Lock |

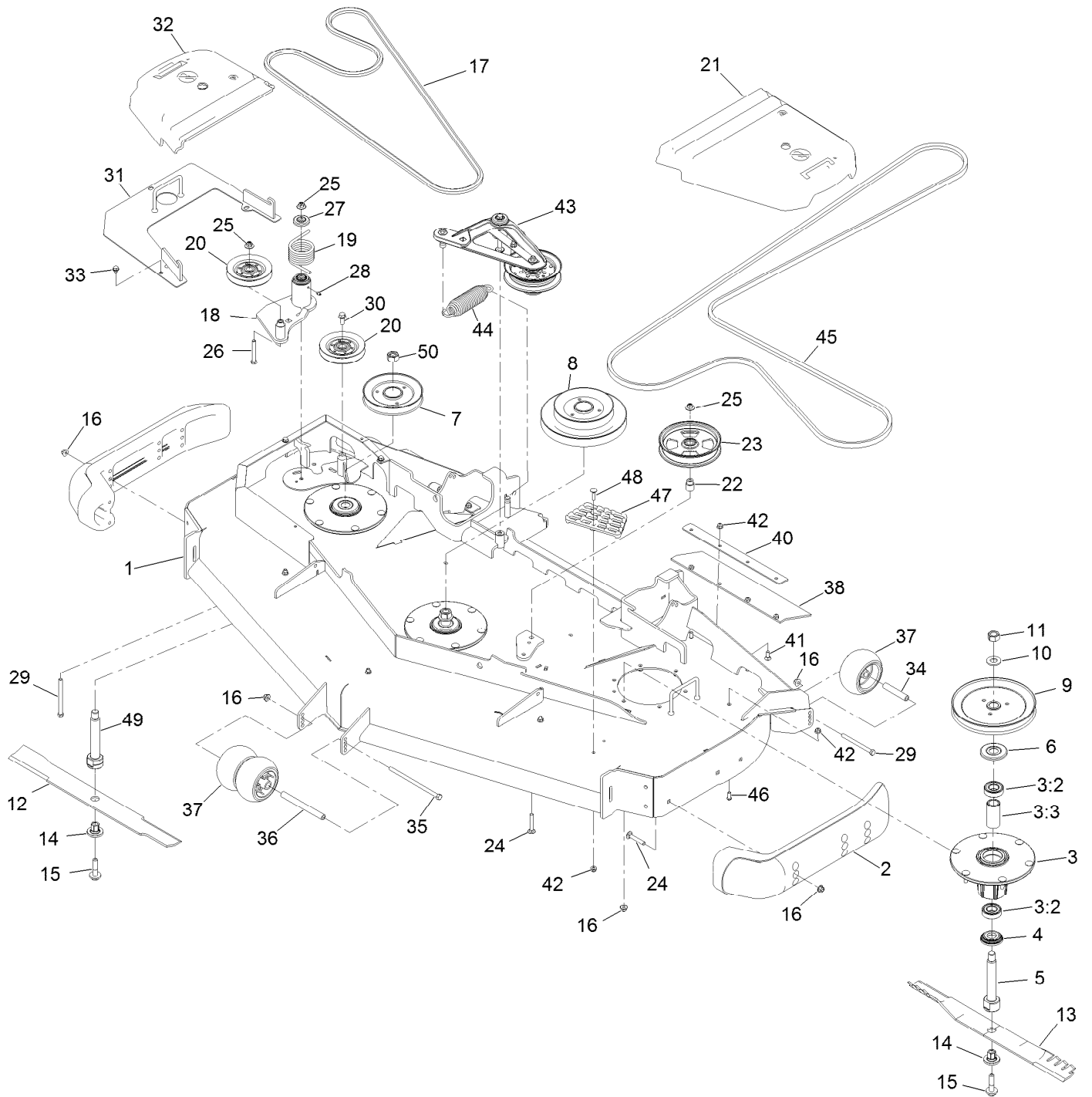
Discharge Tunnel Assembly No. 126-4933



Discharge Tunnel Assembly No. 126-4933 (continued)

| <i>Ref.</i> | <i>Part Number</i> | <i>Qty.</i> | <i>Description</i> | <i>Ref.</i> | <i>Part Number</i> | <i>Qty.</i> | <i>Description</i> |
|-------------|--------------------|-------------|----------------------|-------------|--------------------|-------------|--------------------|
| 1 | 126-4932-03 | 1 | Discharge Tunnel ASM | 4 | 125-9368 | 2 | Flap-Rubber |
| 2 | 125-9366-03 | 1 | Bracket-Flap, LH | 5 | 3230-16 | 6 | Screw-CARR |
| 3 | 125-9367-03 | 1 | Bracket-Flap, RH | 6 | 104-8300 | 6 | Nut-HF, NI |

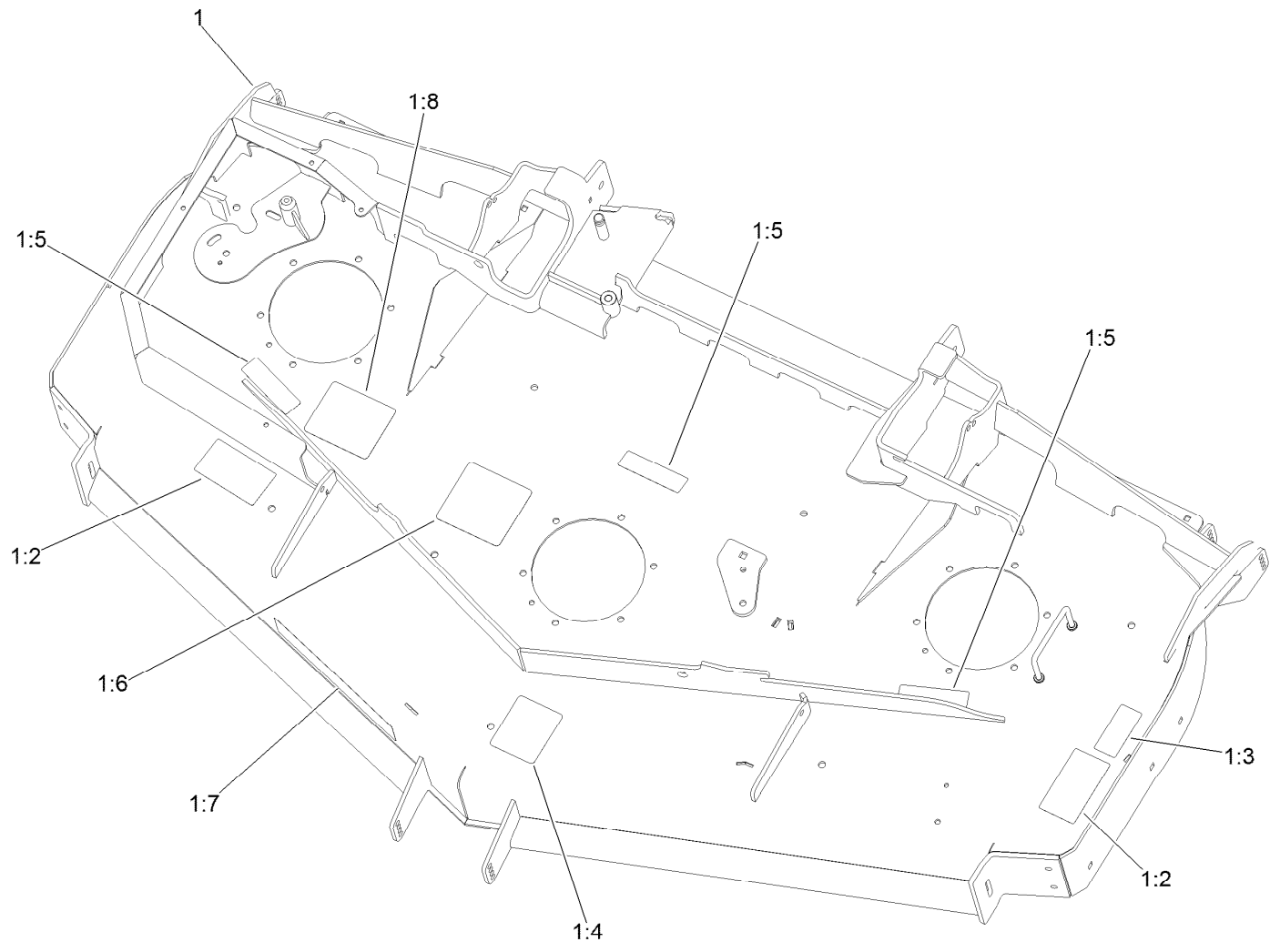
Deck Assembly



Deck Assembly (continued)

| <i>Ref.</i> | <i>Part Number</i> | <i>Qty.</i> | <i>Description</i> | <i>Ref.</i> | <i>Part Number</i> | <i>Qty.</i> | <i>Description</i> |
|-------------|--------------------|-------------|----------------------------|-------------|--------------------|-------------|-----------------------------------|
| 1 | 139-8132 | 1 | Deck Decal ASM | 25 | 109-6658 | 3 | Nut-Flange, NI |
| 2 | 112-1479 | 2 | Skid-Bumper, Deck | 26 | 323-13 | 1 | Screw-HH |
| 3 | 137-9780 | 3 | Spindle ASM | 27 | 103-2916 | 1 | Guard-Top |
| 3:2 | 116-0720 | 2 | Bearing-Ball | 28 | 302-19 | 1 | Fitting-Grease |
| 3:3 | 138-6042 | 1 | Spacer-Bearing | 29 | 323-23 | 3 | Screw-HH |
| 4 | 137-9784 | 3 | Guard-Bottom | 30 | 3234-11 | 1 | Screw-HHF |
| 5 | 138-6045 | 2 | Shaft-Spindle | 31 | 125-9374-01 | 1 | Cover-Reverse Drive |
| 6 | 103-1330 | 3 | Guard-Bearing, Top | 32 | 116-0094 | 1 | Cover-Belt, RH |
| 7 | 140-1184 | 1 | Sheave, Double Blade Drive | 33 | 9266934 | 3 | Screw |
| 8 | 140-1182 | 1 | Sheave, Double Blade Drive | 34 | 98-7912 | 2 | Tube-Spanner |
| 9 | 138-6060 | 1 | Sheave-Drive, Blade | 35 | 108-5388 | 1 | Screw-HH |
| 10 | 103-2802 | 3 | Washer | 36 | 98-5967 | 1 | Spacer-Wheel |
| 11 | 116-7306 | 2 | Nut-Hex | 37 | 1-603299 | 4 | Roller-Scalp, Anti |
| 12 | 140-1245 | 1 | Blade-24.50 Cr Low Flow | 38 | 125-9380 | 1 | Guard-Tire |
| 13 | 140-1239 | 2 | Blade-24.50 Atomic | 40 | 126-0414-01 | 2 | Support-Outer Flap |
| 14 | 137-9787 | 3 | Bushing-Hex | 41 | 3230-16 | 8 | Screw-CARR |
| 15 | 109-9220 | 3 | Screw-Sems | 42 | 104-8300 | 13 | Nut-HF, NI |
| 16 | 104-8301 | 27 | Nut-HF, NI | 43 | 126-1720 | 1 | Deck Idler ASM |
| 17 | 116-8501 | 1 | Belt | 44 | 116-6317 | 1 | Spring-Extension |
| 18 | 126-0853 | 1 | Idler ASM | 45 | 109-8070 | 1 | Belt |
| 19 | 108-1921 | 1 | Spring-Torsion | 46 | 3274-55 | 4 | Screw-HSBH |
| 20 | 126-1478 | 2 | Sheave | 47 | 126-4781-03 | 1 | Step-Deck |
| 21 | 109-6938 | 1 | Cover-Belt, LH | 48 | 3230-3 | 1 | Screw-CARR |
| 22 | 1-633456 | 1 | Bushing, Idler | 49 | 140-1188 | 1 | Shaft-Spindle, Int. Hex LH Thd |
| 23 | 136-5404 | 1 | Pulley-Idler, Flat | 50 | 140-1230 | 1 | Nut-Hex,LH,Lock |
| 24 | 3231-7 | 7 | Screw-CARR | | | | |

Deck Decal Assembly No. 139-8132

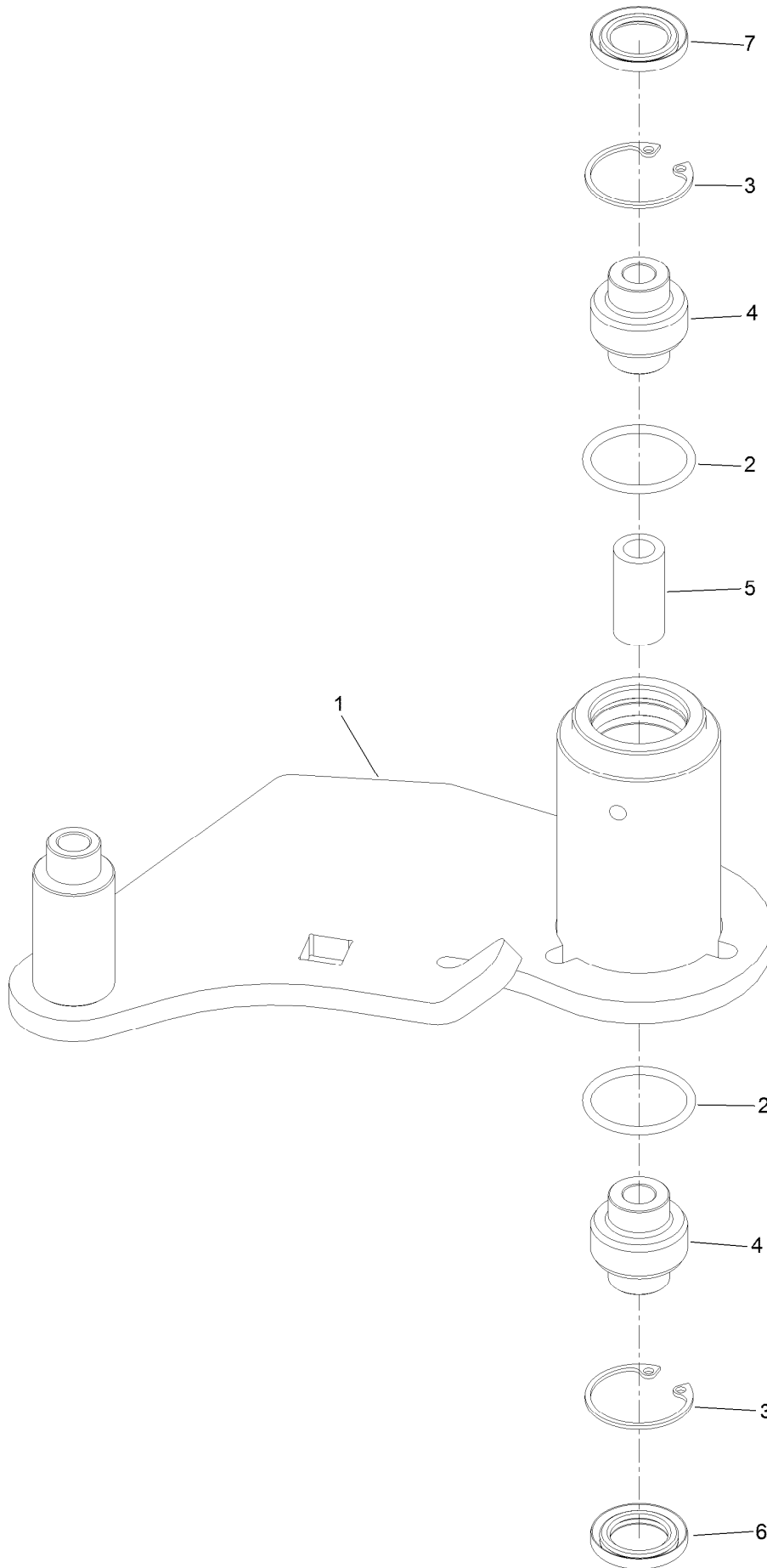


Deck Decal Assembly No. 139-8132 (continued)

| <i>Ref.</i> | <i>Part Number</i> | <i>Qty.</i> | <i>Description</i> | <i>Ref.</i> | <i>Part Number</i> | <i>Qty.</i> | <i>Description</i> |
|-------------|--------------------|-------------|--------------------------|-------------|--------------------|-------------|--------------------------|
| 1 | | 1 | Deck Decal ASM ● | 1:5 | 112-9028 | 3 | Decal-Cover, Missing |
| 1:2 | 117-3848 | 2 | Decal-Danger | 1:6 | 136-5522 | 1 | Decal-Routing, Deck Belt |
| 1:3 | 116-8283 | 1 | Decal-Torque, Bolt | 1:7 | 107-1620 | 1 | Decal |
| 1:4 | 109-6036 | 1 | Decal-Roller, Anti-Scalp | 1:8 | 140-1198 | 1 | Decal-Spindle Cr, CE |

● Not serviced separately

Idler Assembly No. 126-0853



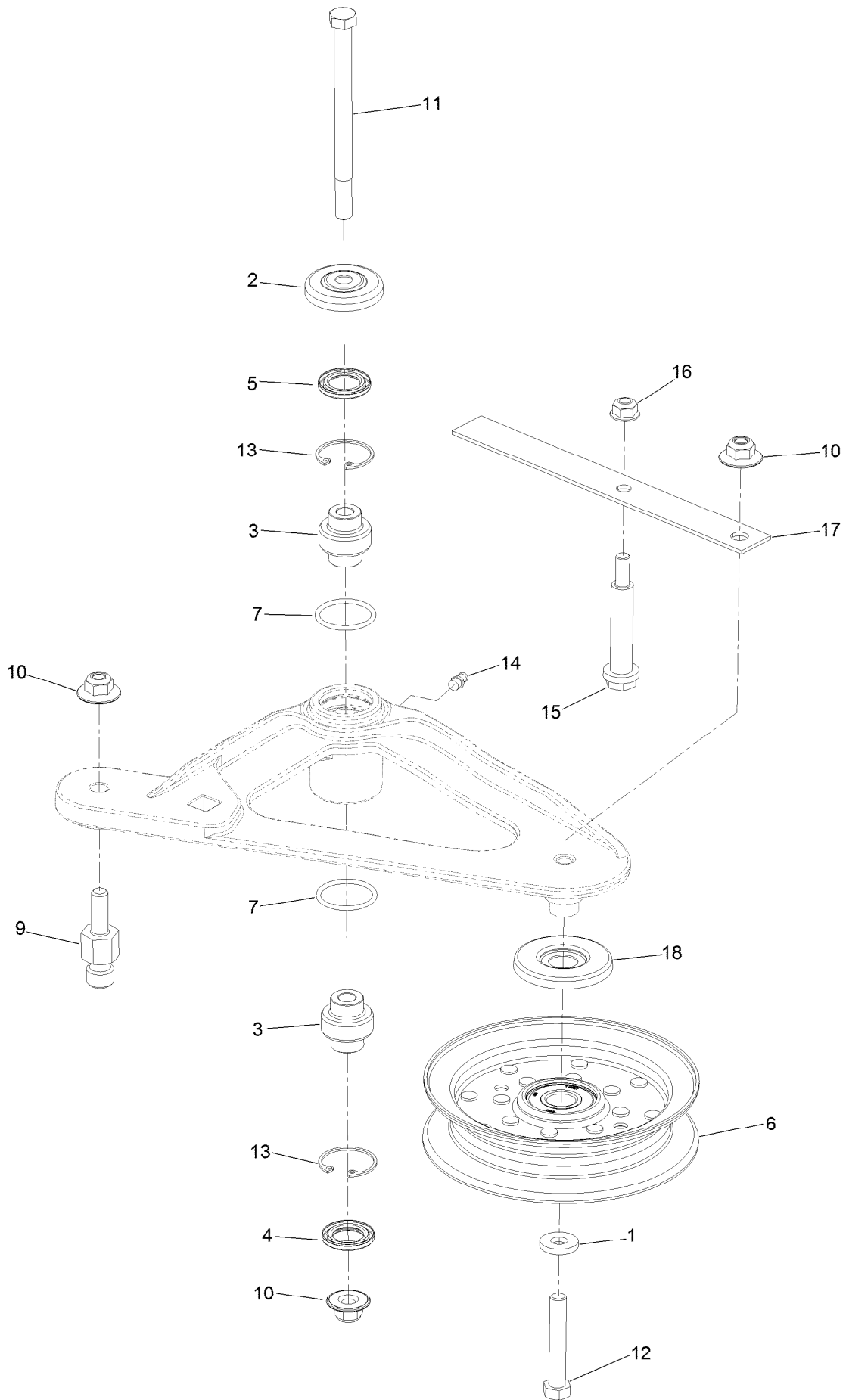
Idler Assembly No. 126-0853 (continued)

| <i>Ref.</i> | <i>Part Number</i> | <i>Qty.</i> | <i>Description</i> |
|-------------|--------------------|-------------|--------------------|
| 1 | | 1 | Idler-Deck ● |
| 2 | 106-7159 | 2 | O-Ring |
| 3 | 32120-10 | 2 | Ring-Snap |
| 4 | 103-3504 | 2 | Bearing-Spherical |

| <i>Ref.</i> | <i>Part Number</i> | <i>Qty.</i> | <i>Description</i> |
|-------------|--------------------|-------------|--------------------|
| 5 | 108-6544 | 1 | Spacer |
| 6 | 103-3505 | 1 | Seal-Lip, Double |
| 7 | 103-3506 | 1 | Seal-Lip, Single |

● Not serviced separately

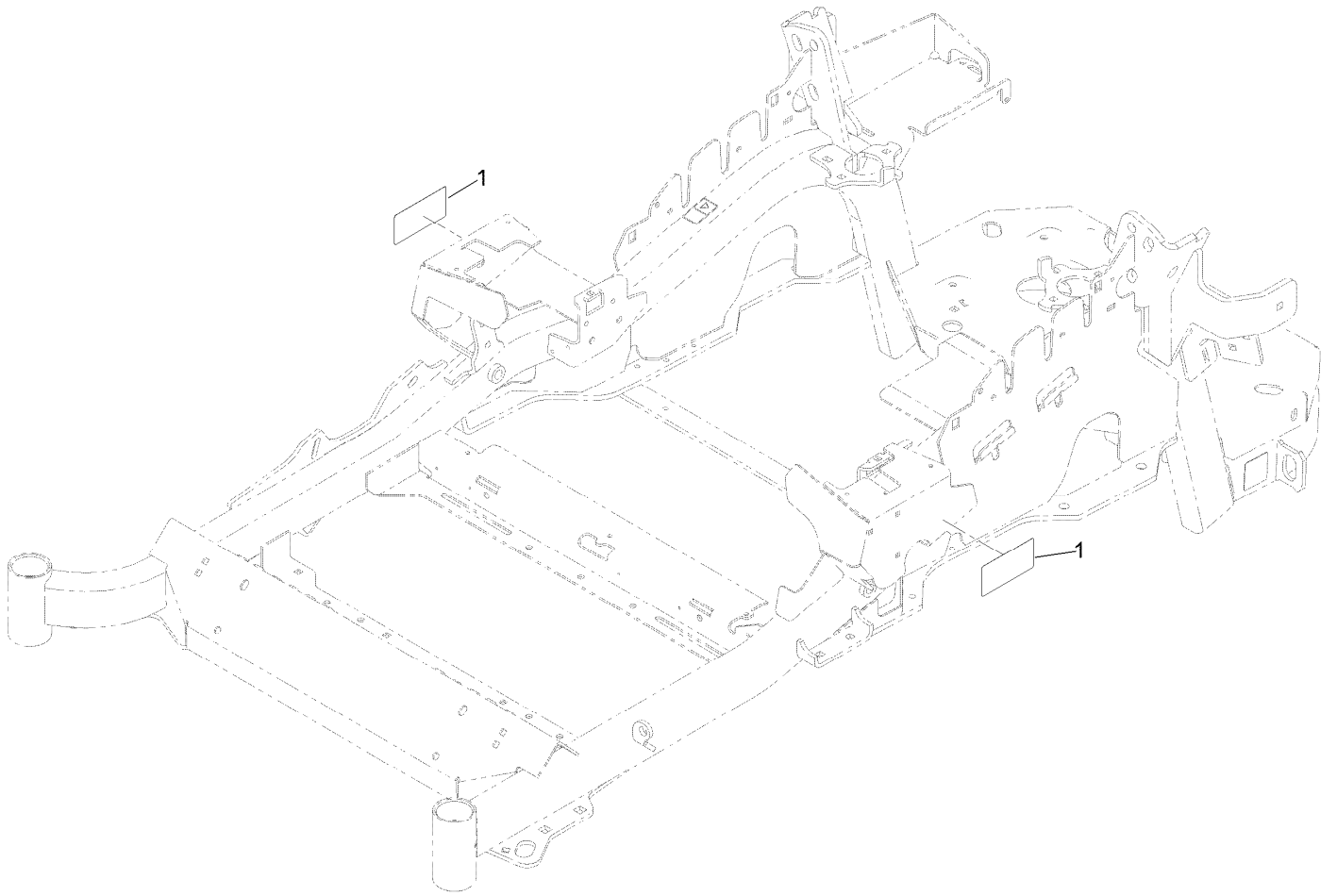
Deck Idler Assembly No. 126-1720



Deck Idler Assembly No. 126-1720 (continued)

| <i>Ref.</i> | <i>Part Number</i> | <i>Qty.</i> | <i>Description</i> | <i>Ref.</i> | <i>Part Number</i> | <i>Qty.</i> | <i>Description</i> |
|-------------|--------------------|-------------|--------------------|-------------|--------------------|-------------|--------------------|
| 1 | 43-0940 | 1 | Spacer | 11 | 109-7409 | 1 | Screw-Shoulder, HH |
| 2 | 103-2916 | 1 | Guard-Top | 12 | 104-3396 | 1 | Screw-HH |
| 3 | 103-3504 | 2 | Bearing-Spherical | 13 | 32120-10 | 2 | Ring-Snap |
| 4 | 103-3505 | 1 | Seal-Lip, Double | 14 | 302-19 | 1 | Fitting-Grease |
| 5 | 103-3506 | 1 | Seal-Lip, Single | 15 | 88-4590 | 1 | Bolt-Shoulder |
| 6 | 126-9196 | 1 | Idler-Pulley, Flat | 16 | 104-8300 | 1 | Nut-HF, NI |
| 7 | 106-7159 | 2 | O-Ring | 17 | 126-1704 | 1 | Spring-Belt |
| 9 | 126-0423 | 1 | Pin-Spring, Anchor | 18 | 126-9195 | 1 | Shield-Guard, Dust |
| 10 | 109-6658 | 3 | Nut-Flange, NI | | | | |

Frame Decal Assembly



Frame Decal Assembly (continued)

| <i>Ref.</i> | <i>Part Number</i> | <i>Qty.</i> | <i>Description</i> |
|-------------|--------------------|-------------|--------------------|
| 1 | 120-5894 | 2 | Decal |

Attachments and Accessories

For 72922 Z Master Professional 5000 Series Riding Mower with 72in TURBO FORCE Rear Discharge Mower

| Product Name | Model/Part |
|--|-------------------|
| Hitch Kit | 109-9487 |
| Hypr-Oil 500 (quart) | 114-4713 |
| Hypr-Oil 500 (gallon)..... | 114-4714 |
| Hypr-Oil 500-5 (5 gallon)..... | 114-4715 |
| Bimini Folding Shade Assembly | 115-4510 |
| Light Kit..... | 116-1154 |
| Seat Cover (W/arm rest)..... | 117-0095 |
| Seat Tilt Frame and ISO Mount Kit..... | 121-7596 |
| Deck Skid Bumper (White)..... | 126-0854 |
| Toro Rops Lock Kit..... | 126-4064 |
| Anti-Scalp and Wear Bar Kit | 127-6650 |
| Jack Mount Kit | 127-6665 |
| Jack Kit..... | 127-6666 |
| Power Deck Lift Kit | 132-5986 |
| Worklight Kit | 135-7320 |
| 24x12n12 - Tweel Turf | 139-7891 |
| Blade-24.50 Atomic | 140-1239 |
| Blade-24.50 Cr Low Flow..... | 140-1245 |
| 6 Pack-Blade, 24.5 Atomic..... | 140-4875 |
| Weight Kit, Under Toe Board..... | 140-4958 |
| Kit-Baffle 72RD | 144-0380 |
| Toro Rider Over Seat Bag..... | 490-7317 |
| Toro Deluxe Rider Cover..... | 490-7319 |
| Toro Rider Arm Rest Bag | 490-7320 |
| Spark Arrestor Screen | 75-6880 |
| Filter Minder Gauge | 99-4664 |
| Trash Holder Kit..... | TC26 |

Notes:



Count on it.