



**Count on it.**

**Parts Catalog**

**Vista™ 6 Passenger Lithium Shuttle Vehicle**

Model No. 08926—Serial No. 40000000 and Up



# Ordering Replacement Parts

To order replacement parts, please supply the part number, the quantity, and the description of each part desired.

## **Understanding Reference Numbers**

Each identified part in an illustration has a reference number. The reference number for a part also appears in the parts list, along with other information about the part.

This catalog uses two special reference number formats, one to indicate parts in a service assembly and another to indicate the quantity of a given part in an illustration.

## **Service Assembly Reference Numbers**

Parts in service assemblies have reference numbers in the form a:b. The a represents the reference number of the entire service assembly and the b represents a sequential number unique to each part within the service assembly.

For example, a wheel assembly might be identified by reference number 6, the tire by 6:1, the valve by 6:2, and the wheel by 6:3. When you order the assembly identified by reference number 6, you receive all parts identified by reference numbers 6:1, 6:2, and 6:3. However, you may also order any part individually. Reference numbers of this type appear in illustration and in parts lists.

## **Reference Numbers Indicating Quantity**

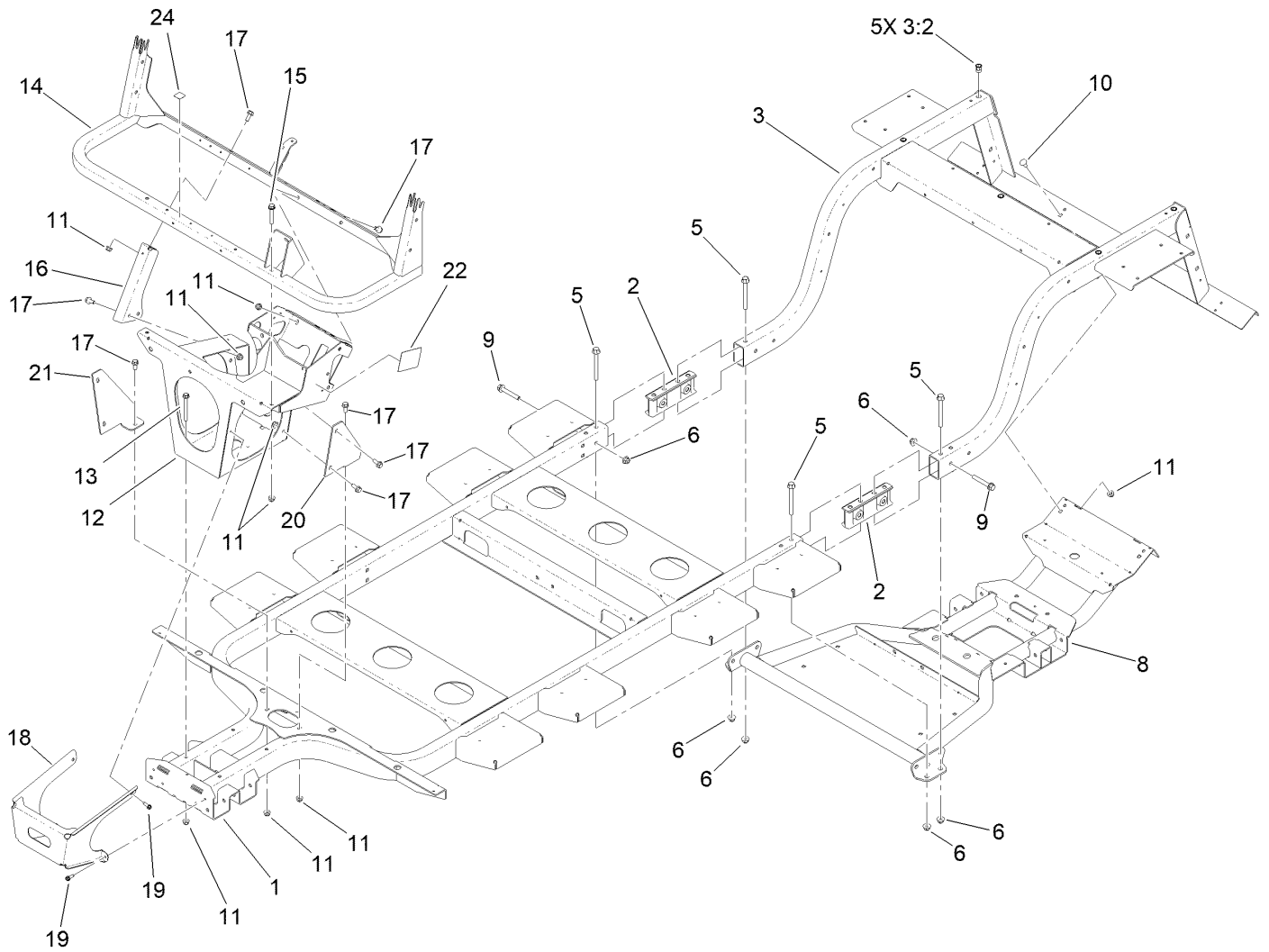
In an illustration, if a reference number indicates more than one part, the reference number has the form nX y. The n represents the quantity of the part, the X is the multiplication symbol, and the y represents the reference number.

For example, in an illustration, the reference number 2X 37 means that two of the parts identified by reference number 37 are indicated.

# Contents

Frame Assembly . . . . .	4
Front Suspension Assembly . . . . .	6
Steering Assembly . . . . .	8
Rear Suspension Assembly . . . . .	10
Brake and Throttle Pedal Assembly . . . . .	12
Front and Rear Brake Assembly . . . . .	14
Master Cylinder Assembly No. 104-6782 . . . . .	16
Brake Caliper Assembly No. 140-2575 . . . . .	17
Hood, Front Fenders and Dash Assembly . . . . .	18
Main Seat and Rear Fenders Assembly . . . . .	20
Passenger Seat Assembly . . . . .	22
Rear Facing Seat Assembly . . . . .	24
Batteries, Motor and Transaxle Assembly . . . . .	26
Transaxle Assembly No. 145-7060 . . . . .	28
Electric Motor Assembly No. 137-6936 . . . . .	30
Dash Electrical Components Assembly . . . . .	32
Electrical Assembly . . . . .	34
Attachments and Accessories . . . . .	36

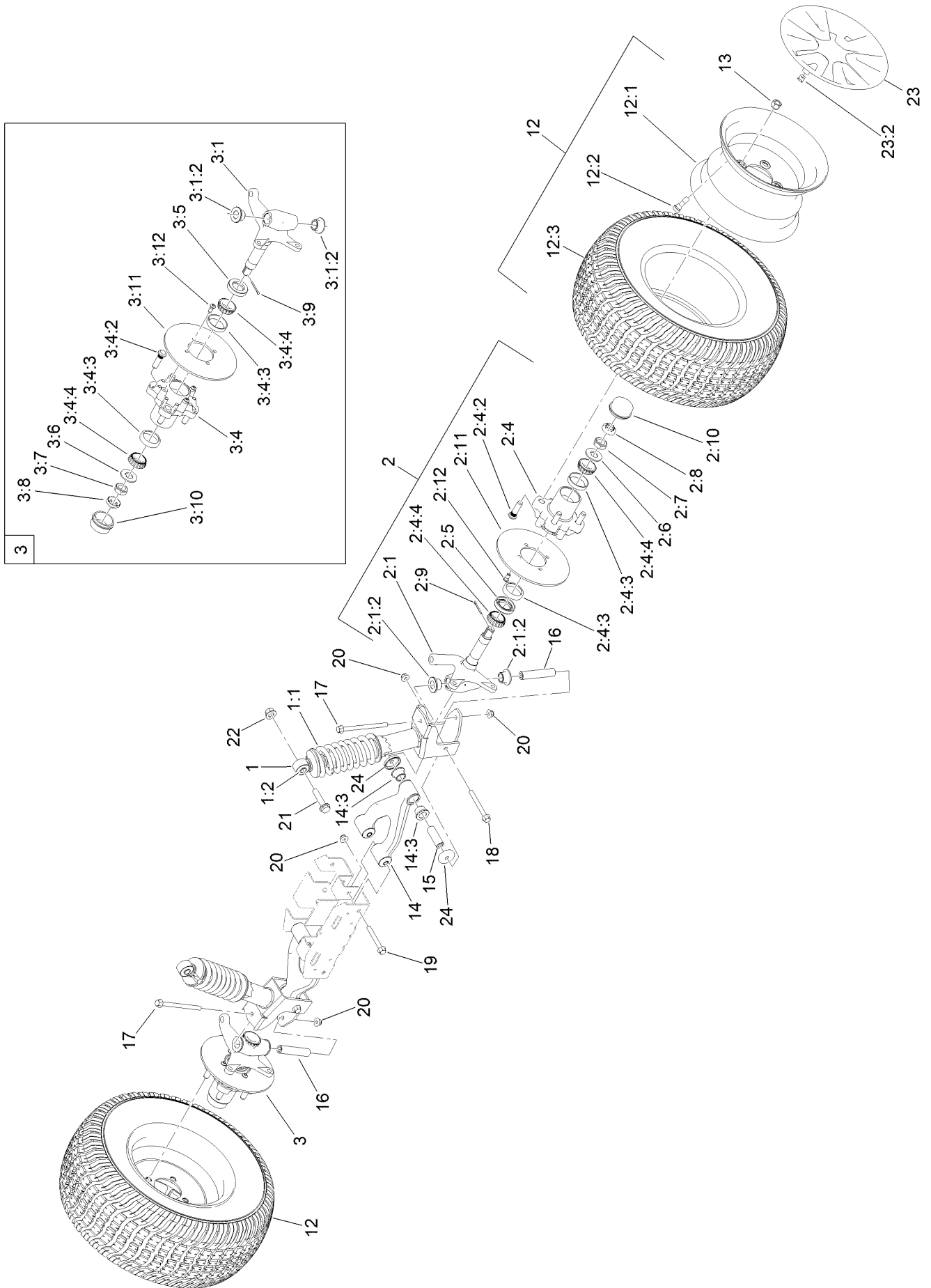
# Frame Assembly



## Frame Assembly (continued)

<i>Ref.</i>	<i>Part Number</i>	<i>Qty.</i>	<i>Description</i>	<i>Ref.</i>	<i>Part Number</i>	<i>Qty.</i>	<i>Description</i>
1	140-0798	1	Front Frame ASM	13	126-4687	4	Screw-HHF
2	144-5479	2	Connector-Frame	14	140-9712-03	1	Canopy Support ASM
3	144-5465	1	Rear Frame ASM	15	140-9909	2	Screw-HHF
3:2	138-2899	5	Nut-Clinch	16	140-0759-03	1	Support, Canopy
5	139-3370	8	Screw-HF	17	3234-47	11	Screw-HHF
6	139-3380	12	Nut-HF	18	140-0940-03	1	Bracket-Support, Bumper
8	140-9746	1	Battery Subframe ASM	19	49-2040	4	Screw-HWHTF
9	144-5559	4	Screw-HHF	20	145-7152-03	1	Gusset-Frame, LH
10	3230-1	2	Bolt-CARR	21	145-7153-03	1	Gusset-Frame, RH
11	104-8300	19	Nut-HF, NI	22	144-5580	1	Decal - Vista Li+ Service
12	140-0777-03	1	Shock Tower ASM	24	145-7345	1	Decal-Voltage, High

# Front Suspension Assembly

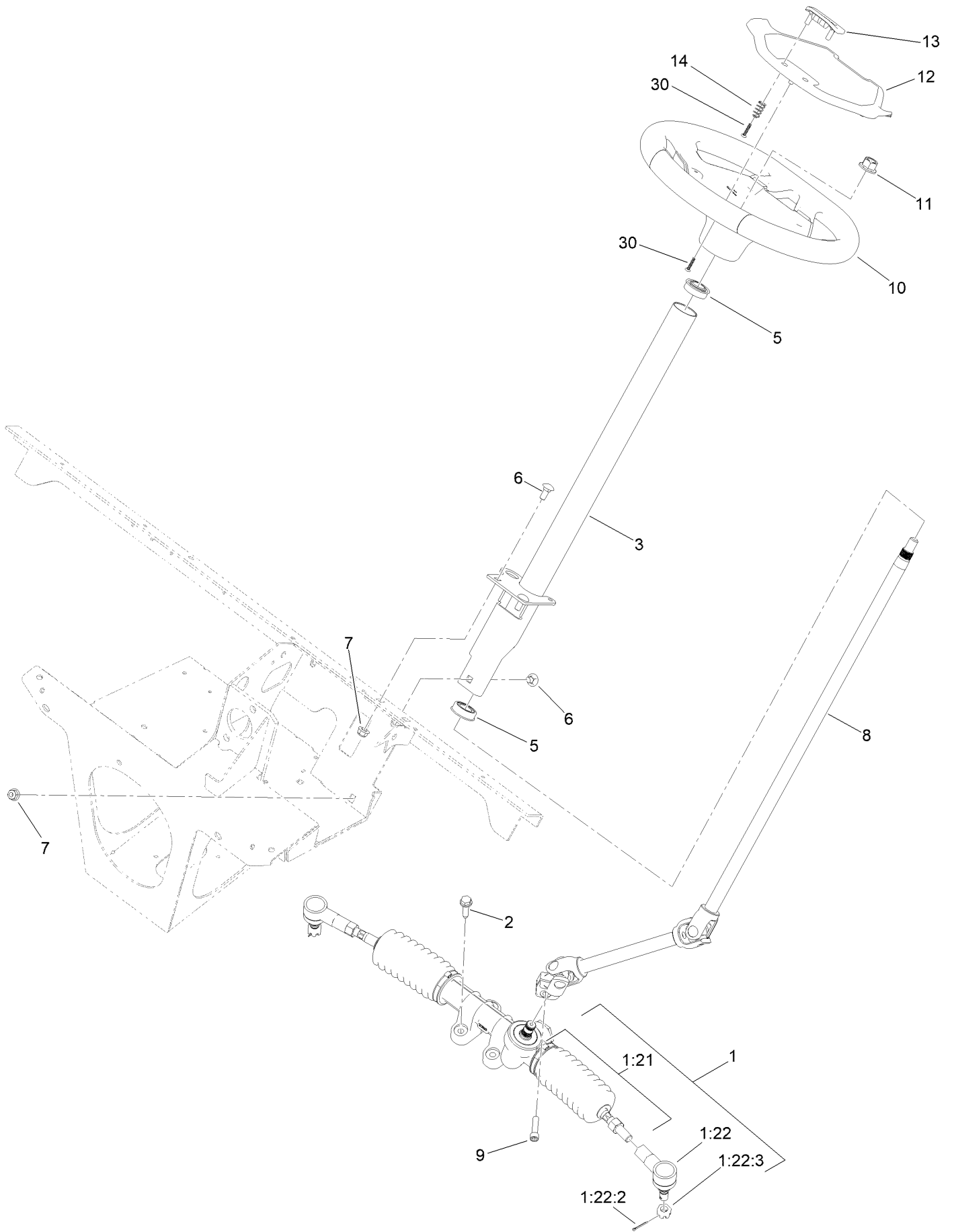


## Front Suspension Assembly (continued)

<i>Ref.</i>	<i>Part Number</i>	<i>Qty.</i>	<i>Description</i>	<i>Ref.</i>	<i>Part Number</i>	<i>Qty.</i>	<i>Description</i>
1	144-5428	2	Strut ASM (140 Lb/in, 3.00)	3:6	93-0309	1	Washer-Tab
1:1	133-0556	1	Spring-Coil	3:7	3220-7	1	Nut-Jam
1:2	131-8574	1	Isolator-Shock	3:8	93-0307	1	Nut-Lock, Retainer
2		1	LH Spindle ASM ●	3:9	3272-12	1	Pin-Cotter
2:1	144-5468	1	Spindle ASM LH	3:10	241-119	1	Cap-Dust
2:1:2	140-4615	2	Bushing-Flange	3:11	139-4474	1	Rotor-Brake
2:4	144-5470	1	Front Hub ASM	3:12	121-9671	4	Screw-HSBH
2:4:2	10-6830	4	Stud-Type, Drive	12	140-9801	2	Tire ASM
2:4:3	254-72	2	Bearing-Cup, Tapered	12:1	131-8317	1	Wheel
2:4:4	254-94	2	Bearing-Cone, Tapered	12:2	232-27	1	Stem-Valve
2:5	112-1690	1	Seal-Oil	12:3	140-9794	1	Tire
2:6	93-0309	1	Washer-Tab	13	242-50	8	Nut-Lug
2:7	3220-7	1	Nut-Jam	14	161-1819	2	Control Arm ASM
2:8	93-0307	1	Nut-Lock, Retainer	14:3	147-3983	2	Bushing-Flange
2:9	3272-12	1	Pin-Cotter	15	144-5634	2	Sleeve-Outer
2:10	241-119	1	Cap-Dust	16	131-8582	2	Sleeve-Kingpin
2:11	139-4474	1	Rotor-Brake	17	139-3350	2	Screw-HF
2:12	121-9671	4	Screw-HSBH	18	139-3370	2	Screw-HF
3		1	RH Spindle ASM ●	19	140-9853	4	Screw-HF
3:1	144-5469	1	Spindle ASM RH	20	139-3380	8	Nut-HF
3:1:2	140-4615	2	Bushing-Flange	21	3234-46	2	Screw-HHF
3:4	144-5470	1	Front Hub ASM	22	99-5107	2	Nut-Lock
3:4:2	10-6830	4	Stud-Type, Drive	23	140-0933	2	Wheel Cover ASM
3:4:3	254-72	2	Bearing-Cup, Tapered	23:2	140-0932	3	Clip-Cover, Wheel
3:4:4	254-94	2	Bearing-Cone, Tapered	24	140-9793	4	Pin Seal
3:5	112-1690	1	Seal-Oil				

● Not serviced separately

# Steering Assembly

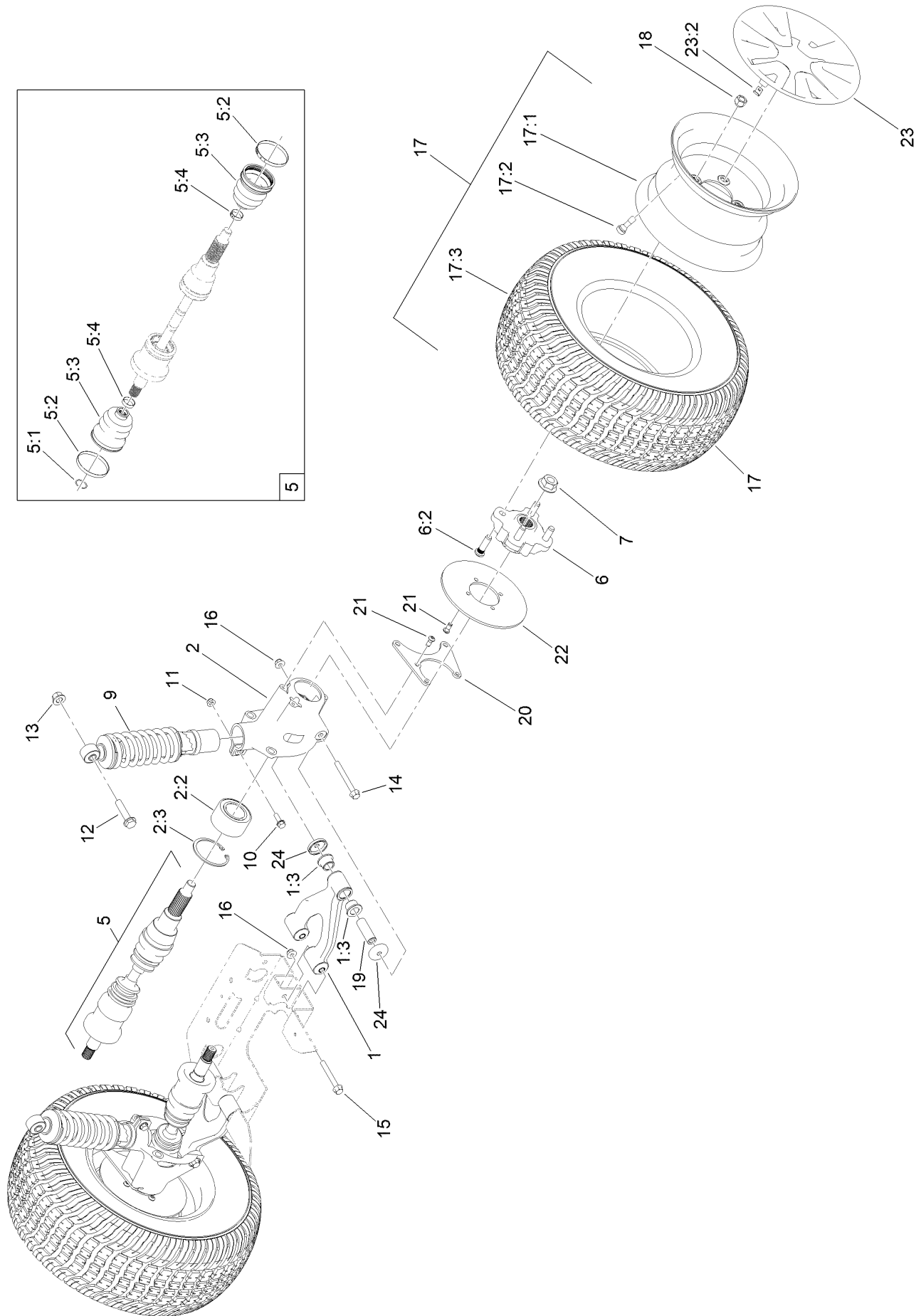




## Steering Assembly (continued)

<i>Ref.</i>	<i>Part Number</i>	<i>Qty.</i>	<i>Description</i>	<i>Ref.</i>	<i>Part Number</i>	<i>Qty.</i>	<i>Description</i>
1	140-9830	1	Steering Rack ASM	7	104-8300	3	Nut-HF, NI
1:21	140-9829	1	Kit-Tie Rod ASM	8	140-9704	1	Shaft-Steering
1:22	140-4592	1	Kit-Rod End ASM	9	145-7145	1	Screw-HSH,Lock
1:22:2	3272-42	1	Pin-Cotter	10	144-5570	1	Steering Wheel ASM
1:22:3	140-2493	1	Nut-Hex, Slotted	11	99-5107	1	Nut-Lock
2	32144-49	4	Screw-HWHTF	12	144-5567	1	Cover-Wheel, Steering
3	140-9705	1	Steering Column ASM	13	144-5566	1	Clip-Wheel, Steering
5	112-3262	2	Bearing	14	144-5537	2	Spring-Compression
6	3230-1	3	Bolt-CARR	30	94-4496	5	Screw-PPH

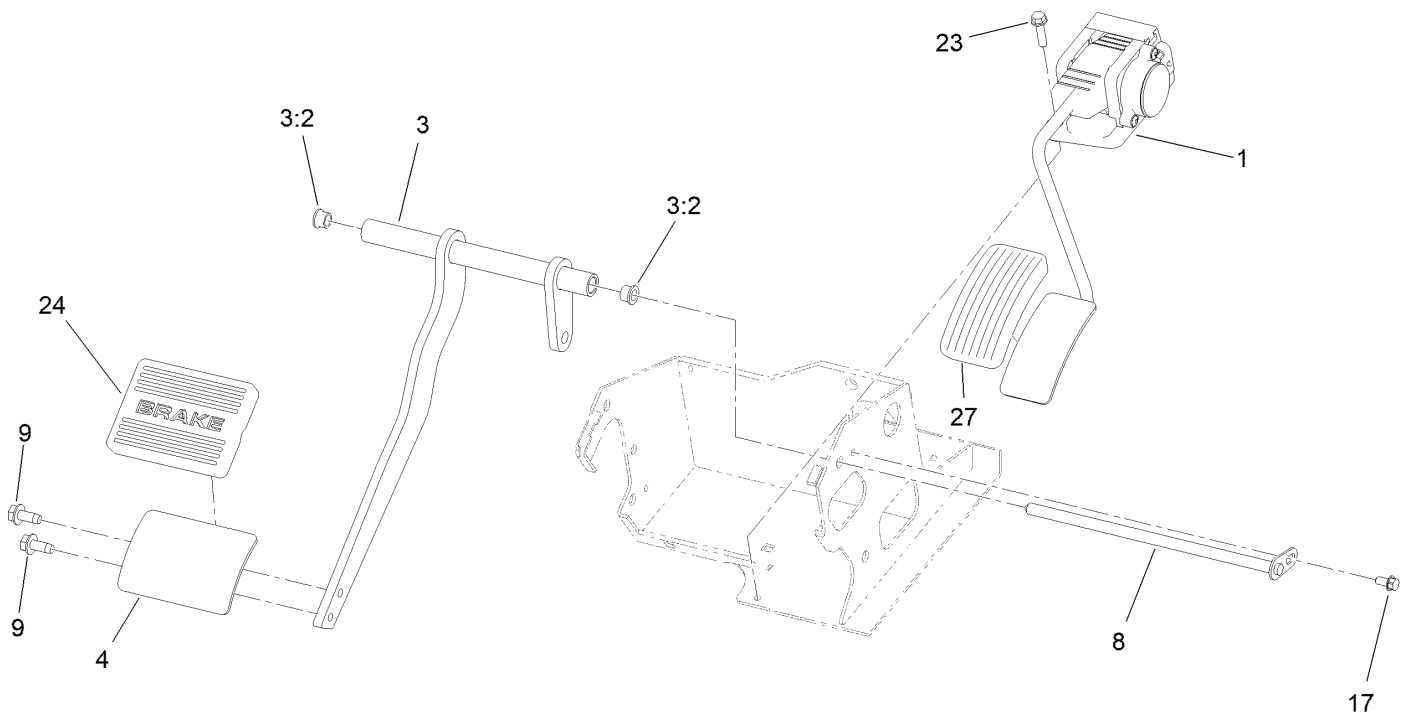
# Rear Suspension Assembly



## Rear Suspension Assembly (continued)

<i>Ref.</i>	<i>Part Number</i>	<i>Qty.</i>	<i>Description</i>	<i>Ref.</i>	<i>Part Number</i>	<i>Qty.</i>	<i>Description</i>
1	161-1819	2	Control Arm ASM	13	99-5107	2	Nut-Lock
1:3	147-3983	2	Bushing-Flange	14	139-3370	2	Screw-HF
2	144-5555	2	Rear Upright ASM	15	140-9853	4	Screw-HF
2:2	133-7272	1	Bearing-Ball	16	139-3380	6	Nut-HF
2:3	144-2207	1	Ring-Retaining	17	140-9801	2	Tire ASM
5	145-7062	2	Cv Axle	17:1	131-8317	1	Wheel
5:1	145-7195	1	Circlip	17:2	232-27	1	Stem-Valve
5:2	145-7196	2	Clamp	17:3	140-9794	1	Tire
5:3	145-7197	2	Boot-Cv	18	242-50	8	Nut-Lug
5:4	145-7198	2	Clamp-Cv	19	144-5634	2	Sleeve-Outer
6	145-7151	2	Rear Hub ASM	20	140-9749	2	Plate-Caliper
6:2	10-6830	4	Stud-Type, Drive	21	121-9671	14	Screw-HSBH
7	32128-53	2	Nut-HF	22	139-4474	2	Rotor-Brake
9	139-4291	2	Shock ASM	23	140-0933	2	Wheel Cover ASM
10	3234-29	2	Screw-HHF	23:2	140-0932	3	Clip-Cover, Wheel
11	104-8300	2	Nut-HF, NI	24	140-9793	4	Pin Seal
12	3234-46	2	Screw-HHF				

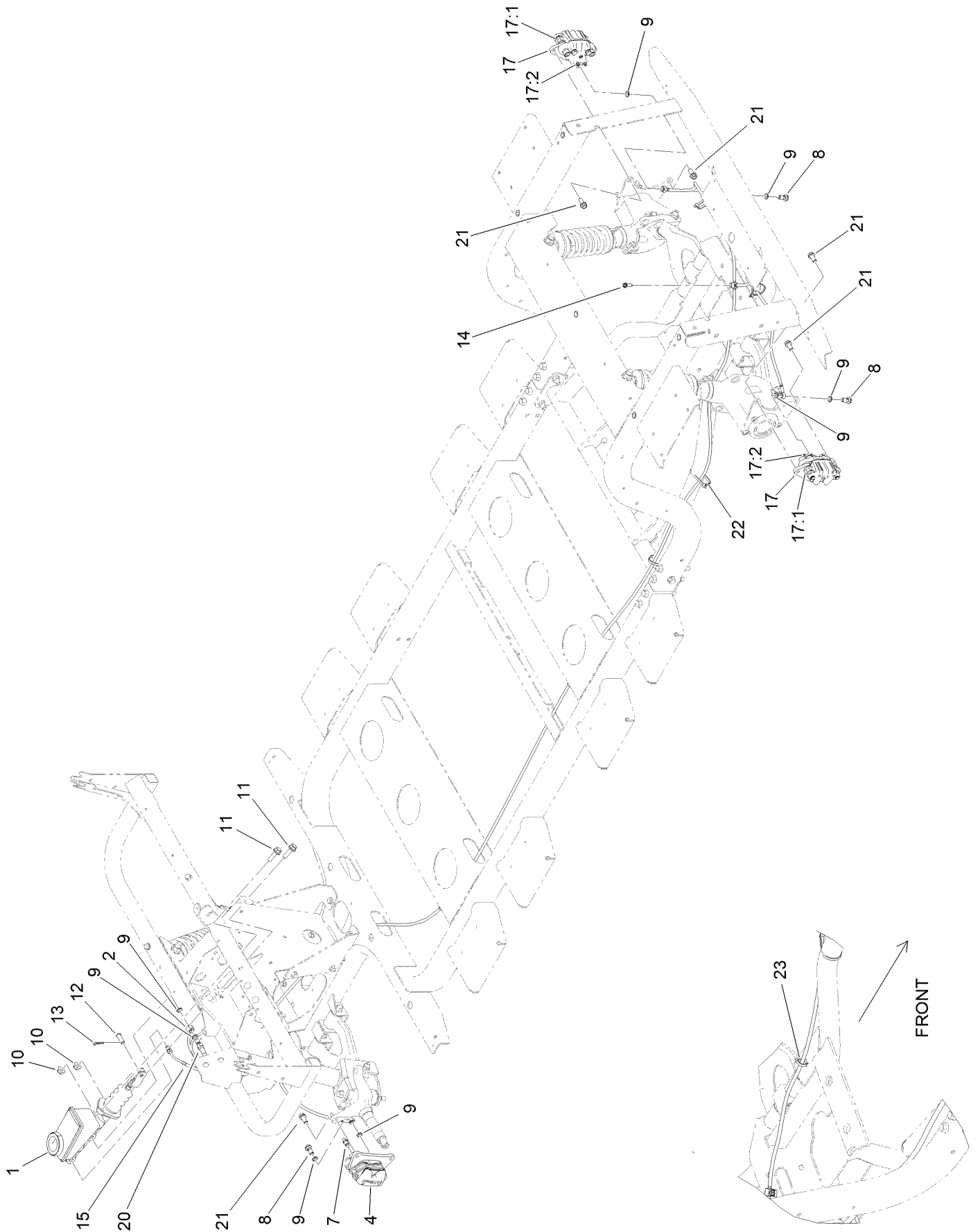
# Brake and Throttle Pedal Assembly



## Brake and Throttle Pedal Assembly (continued)

<i>Ref.</i>	<i>Part Number</i>	<i>Qty.</i>	<i>Description</i>	<i>Ref.</i>	<i>Part Number</i>	<i>Qty.</i>	<i>Description</i>
1	140-9859	1	Throttle-Electronic	9	32144-70	2	Screw-HWHTF
3	145-7162	1	Brake Pedal ASM	17	32144-4	1	Screw-HWH
3:2	256-116	2	Bushing-Flange	23	32144-86	3	Screw-HWHTF
4	138-5763-03	1	Brake Pedal ASM	24	7-3900	1	Pad-Brake
8	140-0772	1	Flag Pin ASM	27	140-4572	1	Pedal Pad-Throttle

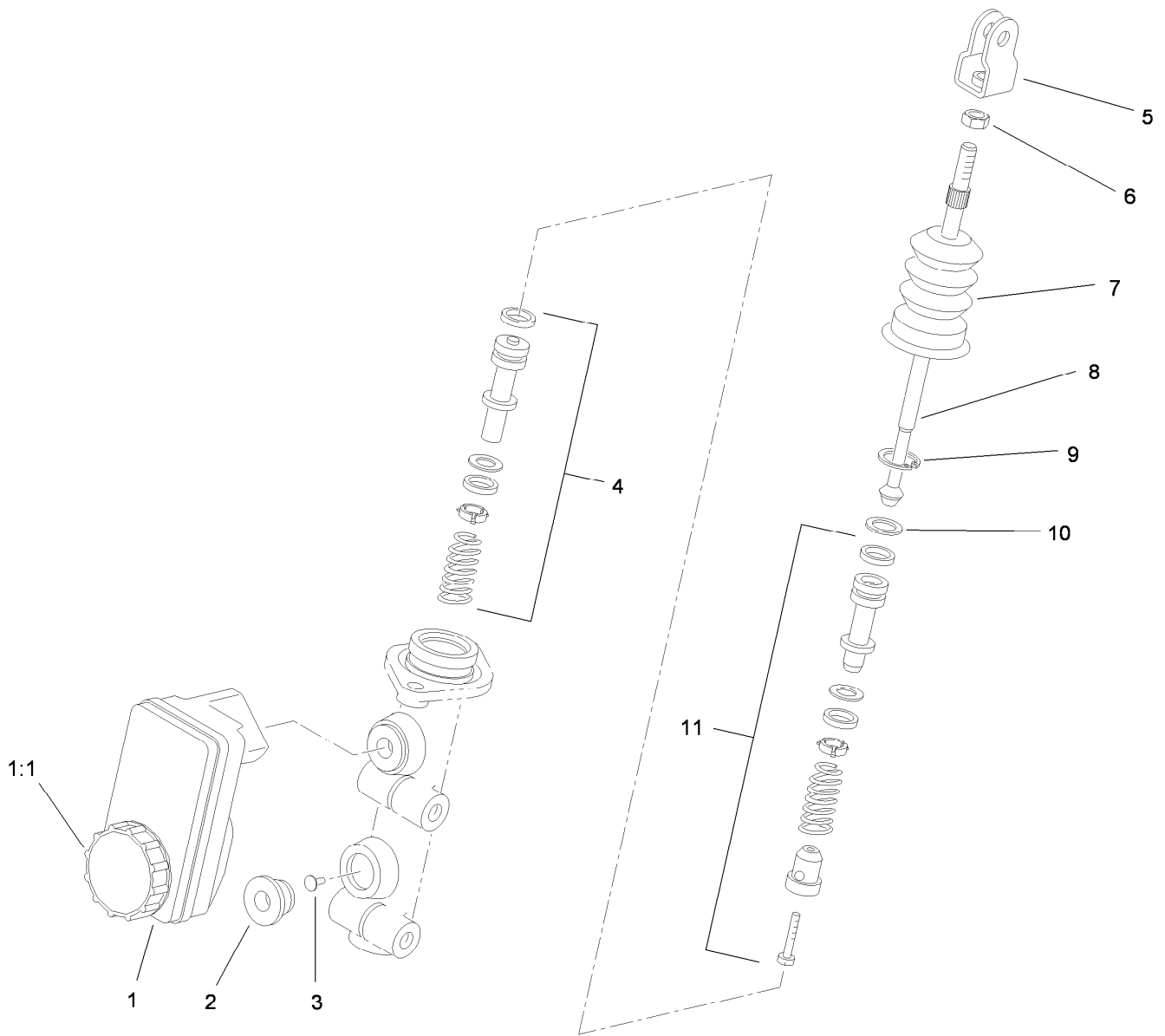
# Front and Rear Brake Assembly



## Front and Rear Brake Assembly (continued)

<i>Ref.</i>	<i>Part Number</i>	<i>Qty.</i>	<i>Description</i>	<i>Ref.</i>	<i>Part Number</i>	<i>Qty.</i>	<i>Description</i>
1	104-6782	1	Master Cylinder ASM	15	140-9996	1	Brake Line ASM
2	140-9993	1	Brake Line ASM	17	145-7159	2	Brake Caliper ASM
4	140-2575	2	Brake Caliper ASM	17:1	140-2595	1	Brake Pad Service Kit (Rear, Qty 4)
7	119-9509	2	Screw-Bleed	17:2	145-7149	1	Fitting-Bleed Screw
8	120-4875	4	Bolt-Flange, Banjo	17:3	136-6328	2	Spring-Rattle, Anti ●
9	115-2341	10	Washer-Banjo	20	144-2227	1	Switch-Brake, Pressure
10	104-8301	2	Nut-HF, NI	21	144-5550	8	Screw-Spl
11	119-4061	2	Screw-HHF	22	3290-378	6	Tie-Cable
12	283-2	1	Pin-Clevis	23	32180-030	1	Clip-Tie
13	1-806003	1	Pin-Cotter				
14	49-2040	2	Screw-HWHTF				

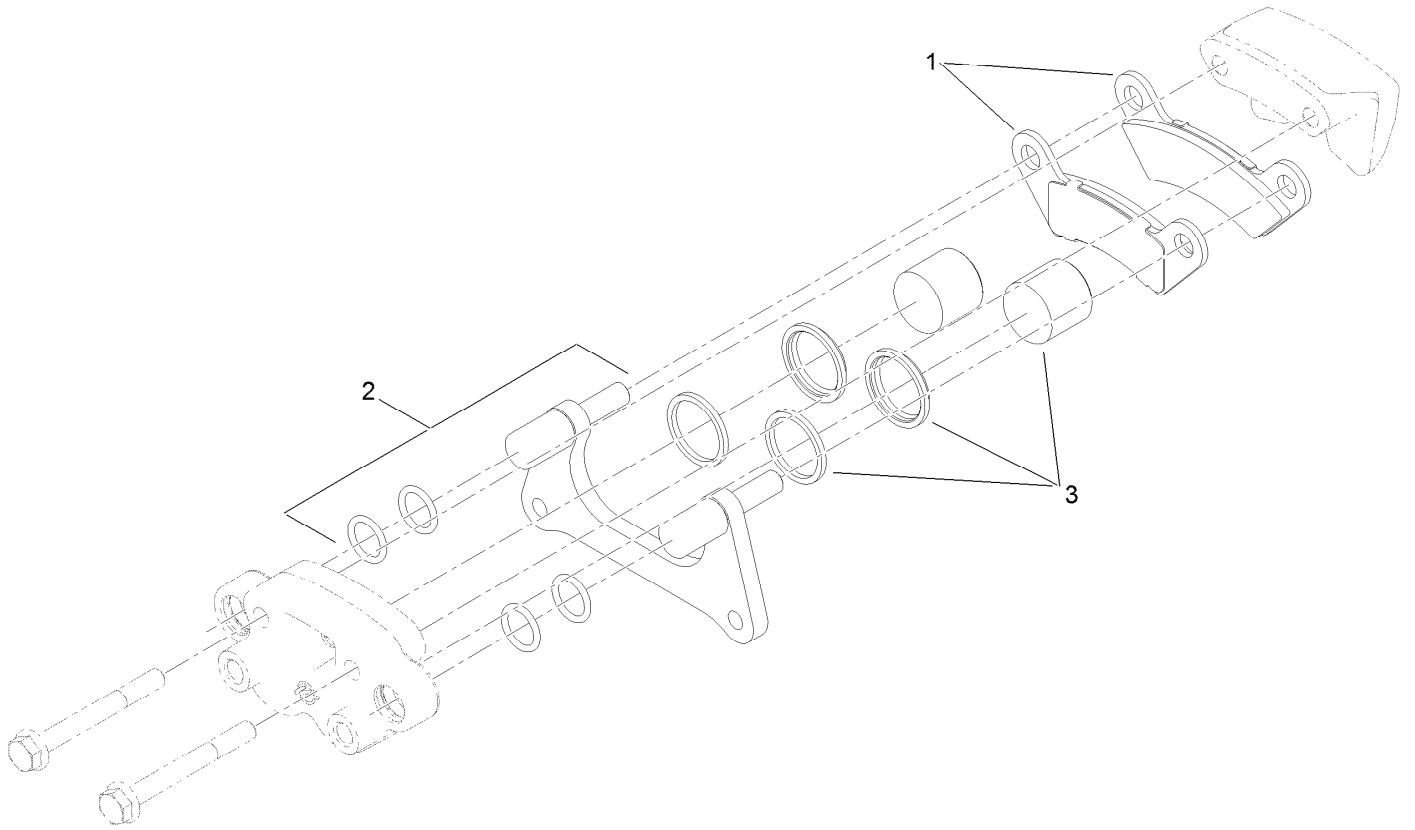
● Not illustrated



## Master Cylinder Assembly No. 104-6782

Ref.	Part Number	Qty.	Description
1	104-6845	1	Reservoir ASM
1:1	92-4112	1	Cap ASM
2	93-8971	2	Seal-Port, Flange
3	92-4103	1	Pin-Stop
4	92-4102	1	Secondary Piston ASM
5	92-4110	1	Clevis
6	21-0360	1	Nut-Hex
7	94-5209	1	Cover-Dust
8	94-5210	1	Rod-Push
9	92-4109	1	Ring-Snap
10	92-4108	1	Retainer-Washer
11	92-4101	1	Primary Piston ASM

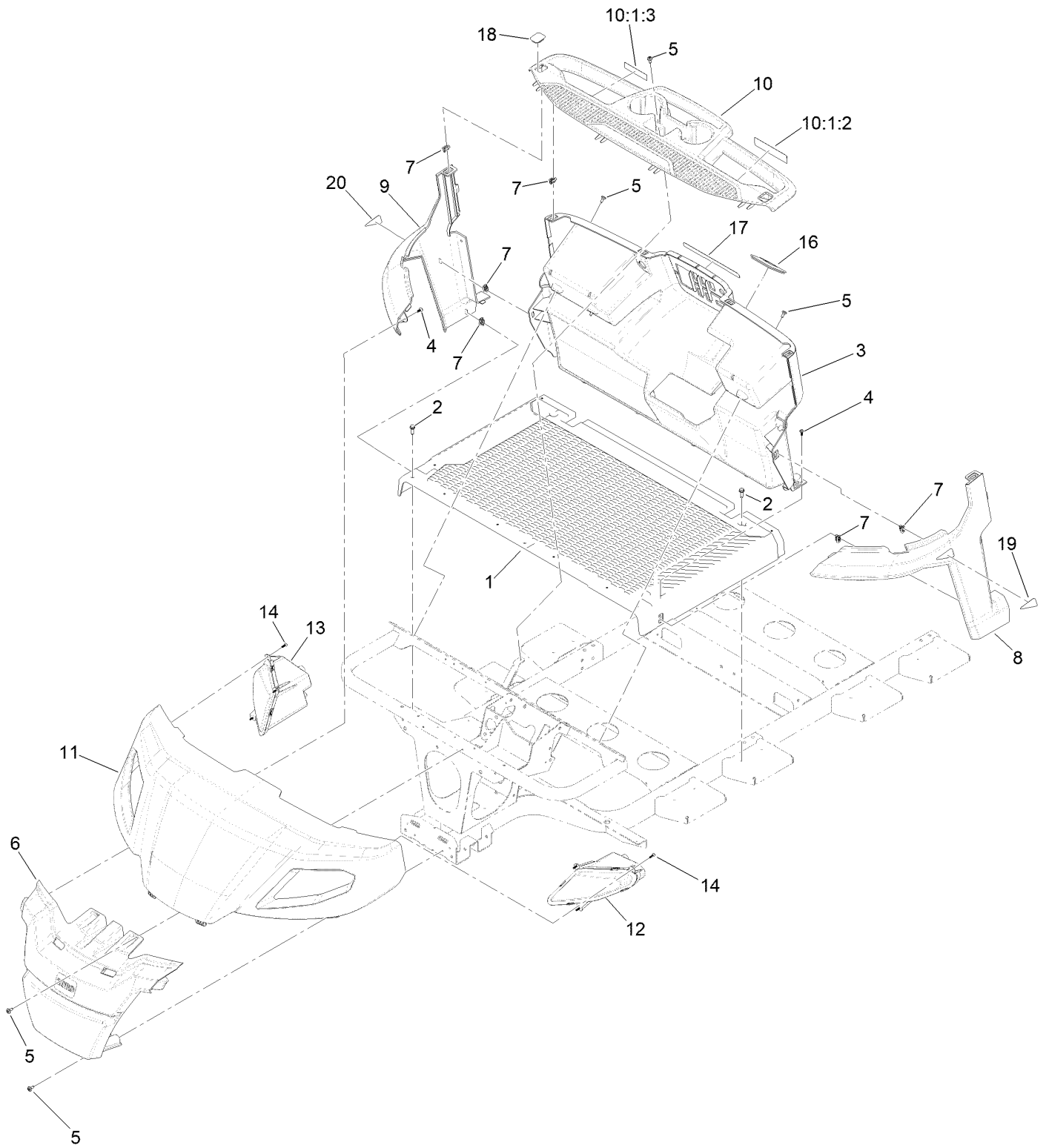




## Brake Caliper Assembly No. 140-2575

<i>Ref.</i>	<i>Part Number</i>	<i>Qty.</i>	<i>Description</i>
1	140-2580	1	Brake Pad Service Kit (Front, Qty 4)
2	119-9511	1	Bracket Kit
3	133-0614	1	Piston Kit

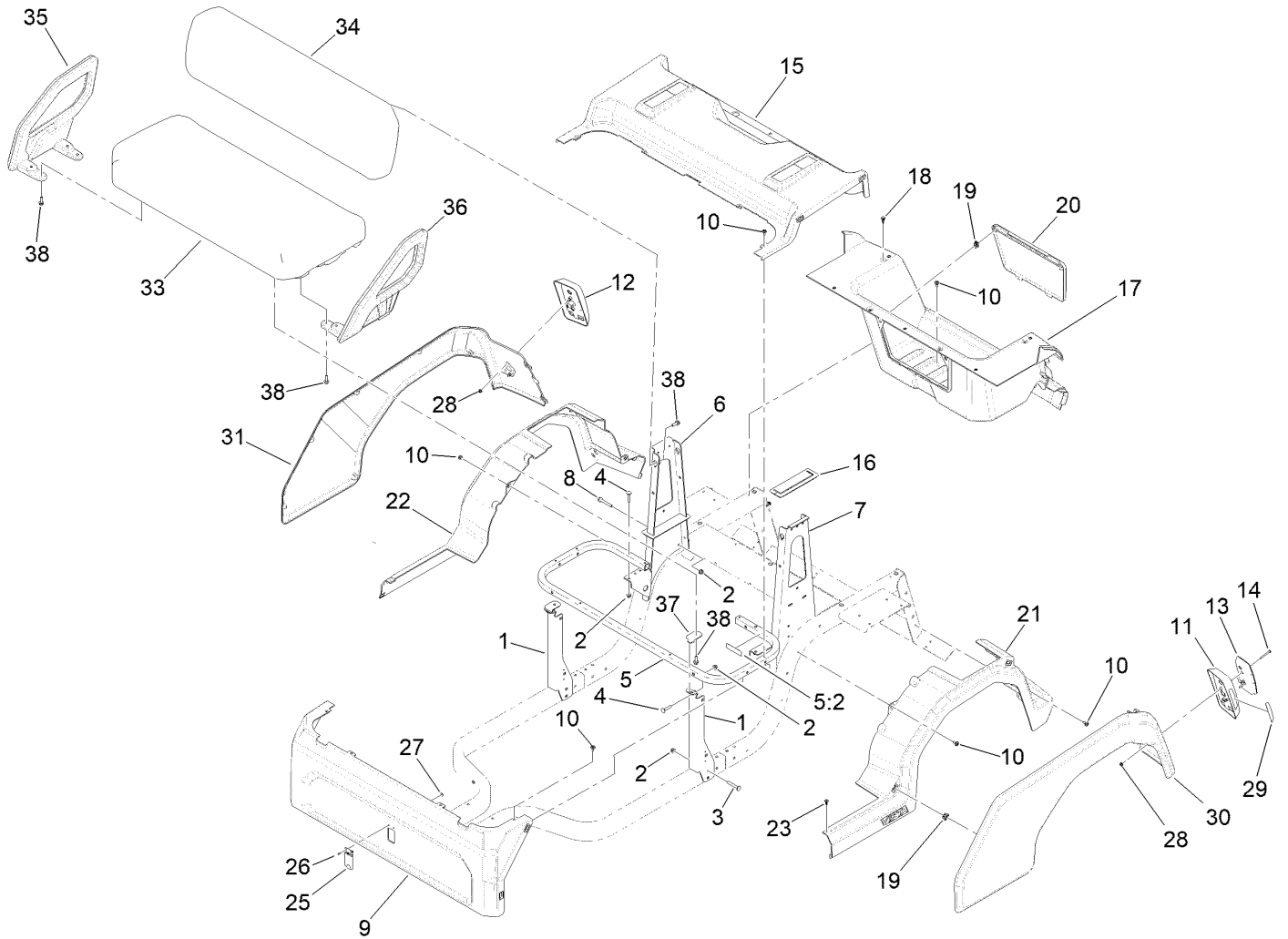
# Hood, Front Fenders and Dash Assembly



## Hood, Front Fenders and Dash Assembly (continued)

<i>Ref.</i>	<i>Part Number</i>	<i>Qty.</i>	<i>Description</i>	<i>Ref.</i>	<i>Part Number</i>	<i>Qty.</i>	<i>Description</i>
1	140-0850SP	1	Floor-Front	11	145-7200SP	1	Hood-Vista, Beige
2	701243	5	Screw-Thd Roll, HWH	12	140-0890	1	Headlight-LH
3	140-9901SP	1	Dash	13	140-0891	1	Headlight-RH
4	138-5775	10	Screw-Delta Point	14	140-9930	6	Screw-Bhf, Plastic
5	120-7950	8	Screw-Torx	16	144-5505	1	Grommet-Column, Steering
6	140-0845SP	1	Bumper-Front	17	144-5573	1	Decal-Control Panel, Electric
7	140-9908	10	Clip-Trim	18	145-7122	2	Cap-Plug, Dash
8	140-0842SP	1	Fender-Front, LH	19	140-0941	1	Decal-Reflector, Front, LH
9	140-0843SP	1	Fender-Front, RH	20	140-0942	1	Decal-Reflector, Front, RH
10	145-7051SP	1	Dash-Top 6/8P				
10:1:2	144-5571	1	Decal-Vista Safety, Driver				
10:1:3	140-0920	1	Decal-Vista Safety, Passenger				

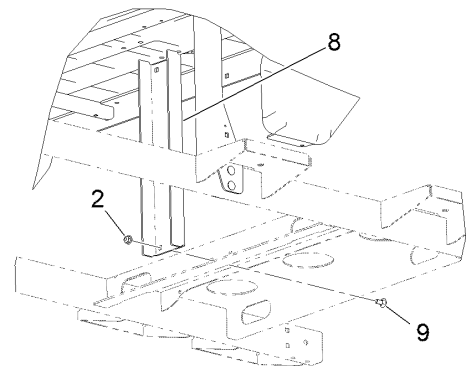
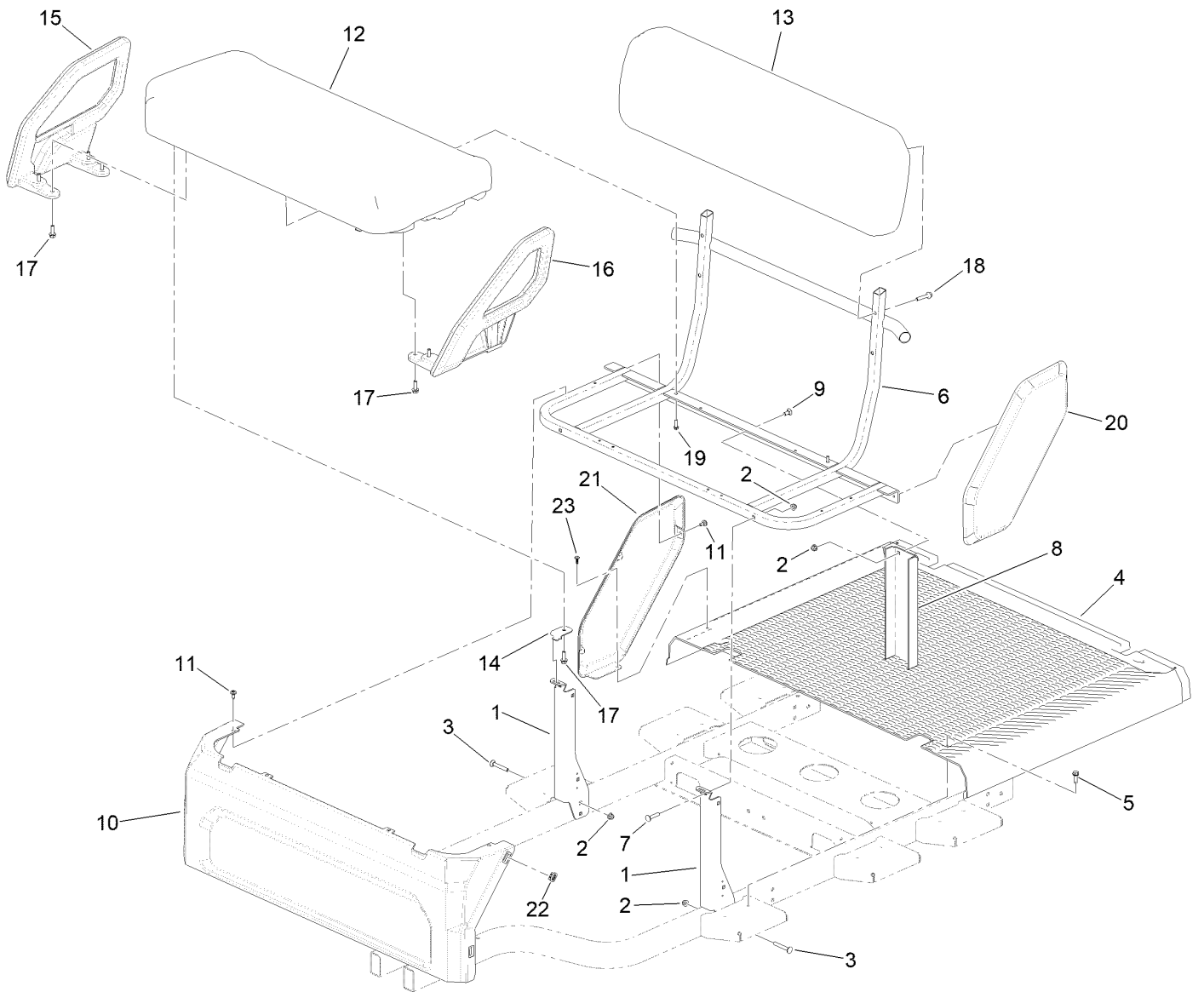
# Main Seat and Rear Fenders Assembly



## Main Seat and Rear Fenders Assembly (continued)

<i>Ref.</i>	<i>Part Number</i>	<i>Qty.</i>	<i>Description</i>	<i>Ref.</i>	<i>Part Number</i>	<i>Qty.</i>	<i>Description</i>
1	140-0800-03	2	Bracket-Support, Seat Frame	18	125-9622	8	Rivet-Blind
2	104-8300	12	Nut-HF, NI	19	140-9908	14	Clip-Trim
3	3230-7	4	Bolt-CARR	20	140-0866	1	Door-Access, Rear
4	3230-4	4	Bolt-CARR	21	140-0847SP	1	Fender-Rear, LH
5	145-7057	1	Electric Seat Tube	22	140-0848SP	1	Fender-Rear, RH
5:2	140-4590	1	Decal-Charger Input Lithium	23	138-5775	2	Screw-Delta Point
6	144-5623-03	1	Bracket-Back, RH	25	144-6628	1	Plate-Cover, Spring
7	144-5622-03	1	Bracket-Back, LH	26	3290-271	2	Rivet-Pop
8	139-4479	4	Screw-HHF	27	3269-10	2	Washer-Back
9	147-3889SP	1	Panel-Base, Seat	28	138-0719	4	Nut-HF
10	120-7950	14	Screw-Torx	29	140-0943	2	Decal-Reflector, Rear
11	140-9910	1	Housing-Tail Light, LH	30	145-7210SP	1	Panel-Rear, LH Beige
12	140-9911	1	Housing-Tail Light, RH	31	145-7220SP	1	Panel-Rear, RH Beige
13	139-2071	2	Light-Rear Tail/Stop/Turn	33	140-9941SP	1	Seat Bottom ASM-Beige
14	3250-48	4	Screw-PPH	34	140-9943SP	1	Seat Backrest ASM-Beige
15	140-0846SP	1	Cover-Rear	35	140-0804SP	1	Restraint-Hip, RH
16	140-9904	2	Grommet-Bracket, Seat	36	140-0802SP	1	Restraint-Hip, LH
17	140-0851SP	1	Tub-Rear	37	140-0812	2	Bracket-Hinge, Seat
				38	115-5142	14	Screw-HHF

# Passenger Seat Assembly

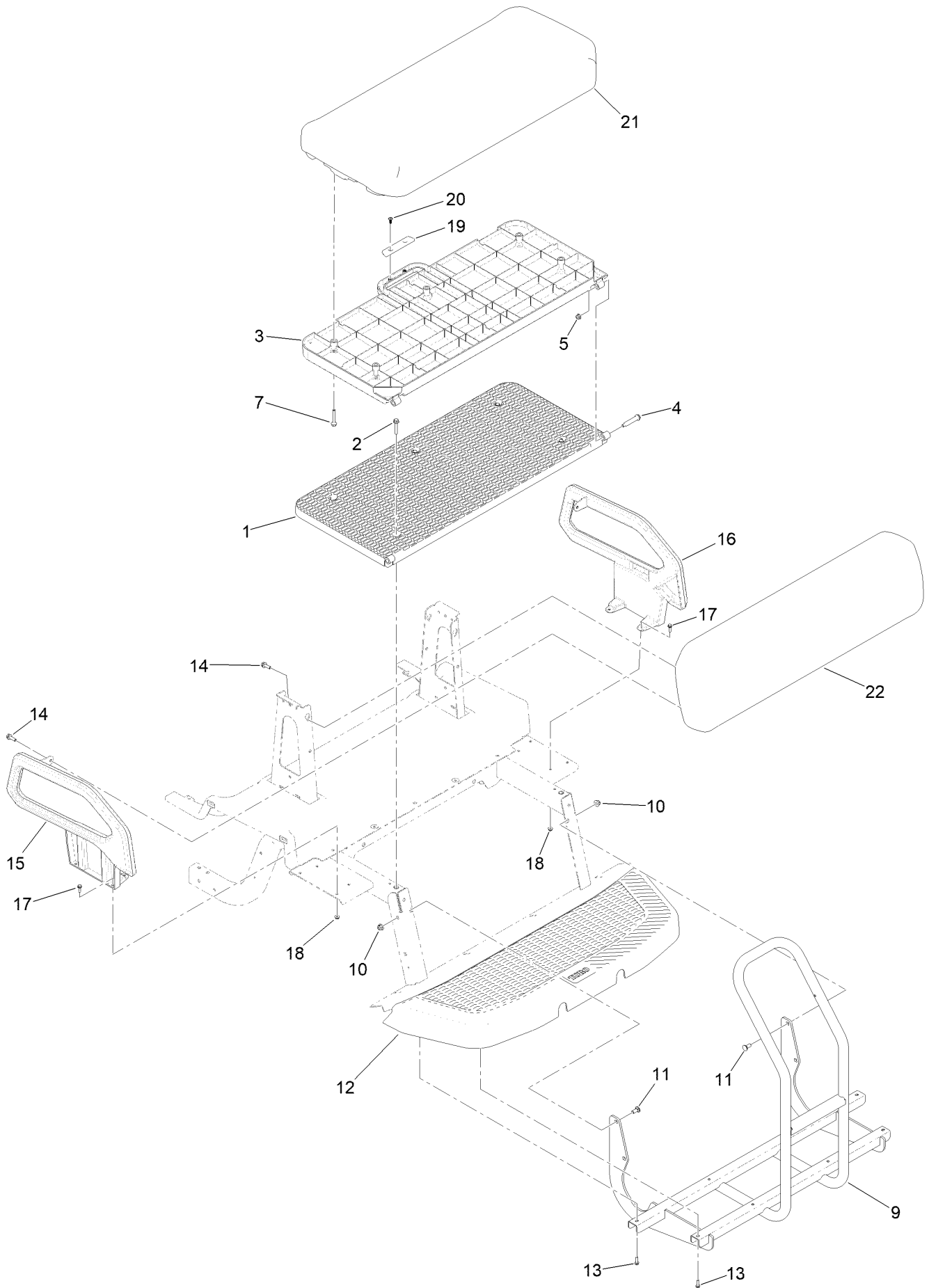


BOTTOM VIEW

## Passenger Seat Assembly (continued)

<i>Ref.</i>	<i>Part Number</i>	<i>Qty.</i>	<i>Description</i>	<i>Ref.</i>	<i>Part Number</i>	<i>Qty.</i>	<i>Description</i>
1	140-0800-03	2	Bracket-Support, Seat Frame	12	140-9941SP	1	Seat Bottom ASM-Beige
2	104-8300	10	Nut-HF, NI	13	140-9943SP	1	Seat Backrest ASM-Beige
3	3230-7	4	Bolt-CARR	14	140-0812	2	Bracket-Hinge, Seat
4	140-0870SP	1	Floor-Middle	15	140-0804SP	1	Restraint-Hip, RH
5	701243	4	Screw-Thd Roll, HWH	16	140-0803SP	1	Restraint-Hip, Driver
6	140-9785SP	1	Seat Support ASM	17	115-5142	10	Screw-HHF
7	3230-4	2	Bolt-CARR	18	145-7105	4	Screw-HHF
8	140-9753-05	1	Post-Center	19	46-8091	2	Screw-HWH
9	3230-1	4	Bolt-CARR	20	145-7230	1	Panel-Seat, LH
10	140-0849SP	1	Panel-Base, Seat	21	145-7240	1	Panel-Seat, RH
11	120-7950	6	Screw-Torx	22	140-9908	4	Clip-Trim
				23	138-5775	2	Screw-Delta Point

# Rear Facing Seat Assembly

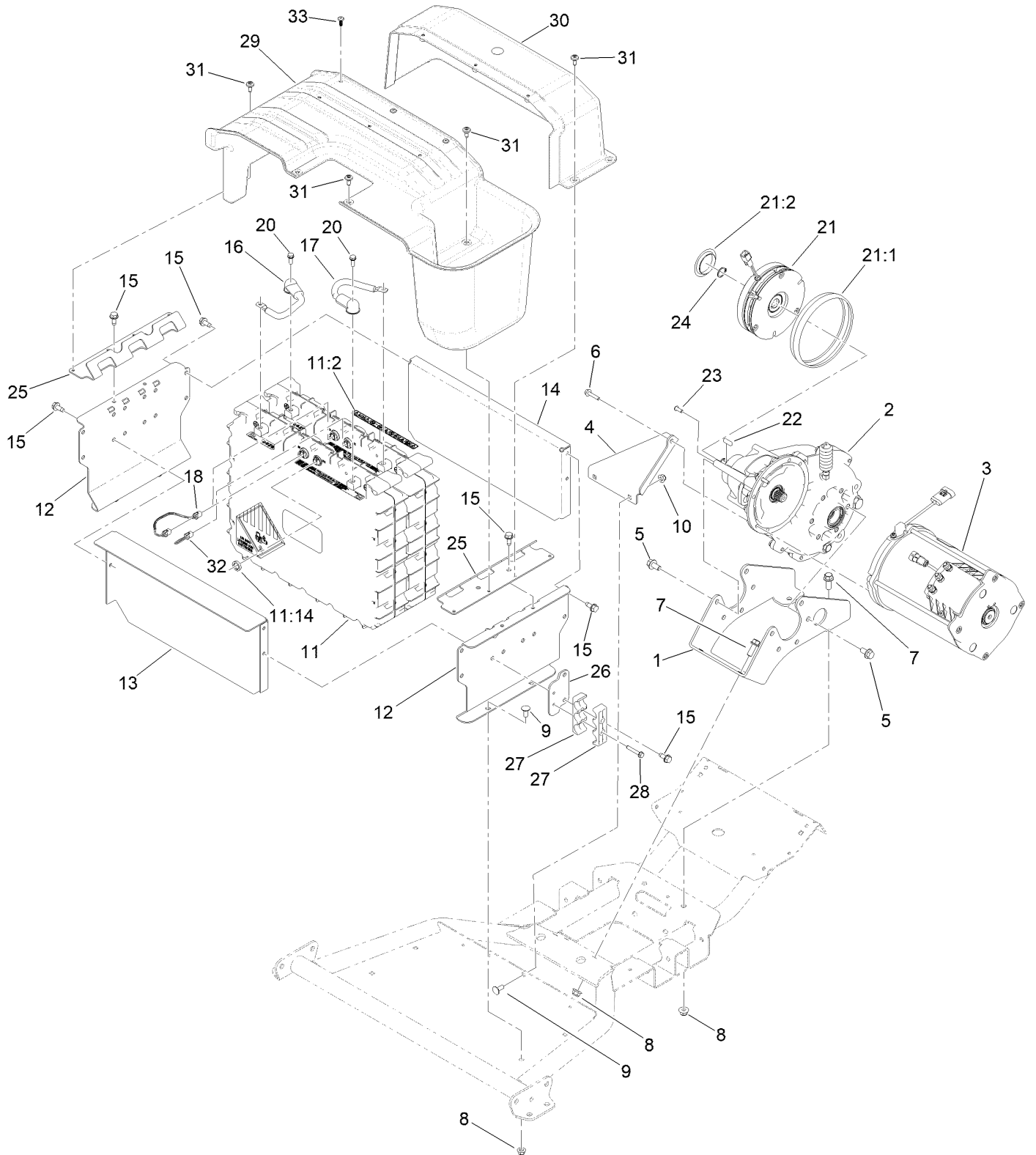




## Rear Facing Seat Assembly (continued)

<i>Ref.</i>	<i>Part Number</i>	<i>Qty.</i>	<i>Description</i>	<i>Ref.</i>	<i>Part Number</i>	<i>Qty.</i>	<i>Description</i>
1	140-0821SP	1	Floor-Box, Cargo	13	46-8091	8	Screw-HWH
2	145-7105	5	Screw-HHF	14	115-5142	6	Screw-HHF
3	140-0820SP	1	Floor-Flip Seat	15	140-0833	1	Restraint-Hip, LH Rear
4	136-7199	2	Bolt-Shoulder	16	140-0834	1	Restraint-Hip, RH Rear
5	104-8300	2	Nut-HF, NI	17	32105-15	8	Screw-HWH
7	140-9909	5	Screw-HHF	18	104-7201	8	Nut-HF, NI
9	140-0875SP	1	Rear Floor Frame ASM	19	145-7100	1	Bumper-Rubber, Flip Seat
10	104-8301	4	Nut-HF, NI	20	138-5775	2	Screw-Delta Point
11	3231-12	4	Bolt-CARR	21	140-9941SP	1	Seat Bottom ASM-Beige
12	140-0872	1	Floor-Rear	22	140-9943SP	1	Seat Backrest ASM-Beige

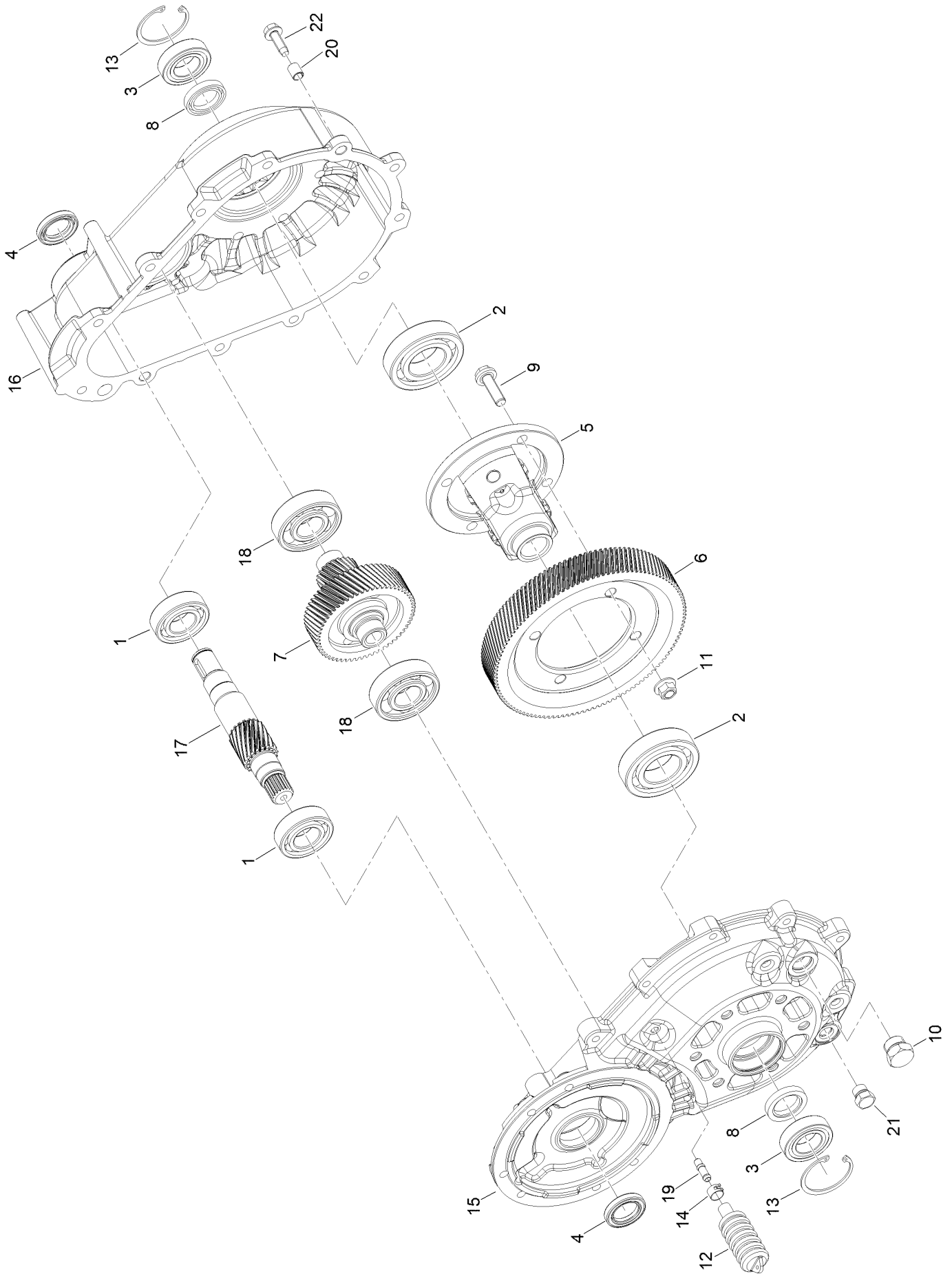
# Batteries, Motor and Transaxle Assembly



## Batteries, Motor and Transaxle Assembly (continued)

<i>Ref.</i>	<i>Part Number</i>	<i>Qty.</i>	<i>Description</i>	<i>Ref.</i>	<i>Part Number</i>	<i>Qty.</i>	<i>Description</i>
1	140-9822-03	1	Bracket-Mount, Trans	18	140-9565	1	Harness-Wire, Data Interface
2	145-7060	1	Transaxle-Electric	20	145-5783	2	Screw-Sems
3	137-6936	1	Motor-AC	21	145-7061	1	Brake-Electric
4	140-9797-03	1	Brace-Motor	21:1	145-7184	1	Dust Cover
5	139-6300	10	Screw-Hfl	21:2	145-7186	1	End Cap
6	33103-030	6	Screw-HHF	22	145-7163	1	Key-Square
7	3234-42	4	Screw-HHF	23	145-7164	3	Screw-HSBH
8	104-8301	4	Nut-HF, NI	24	32120-15	1	Ring-Snap, EXT
9	3230-1	6	Bolt-CARR	25	145-7171-03	2	Bracket-Battery, Hold
10	104-8300	6	Nut-HF, NI	26	145-7175	1	Bracket-Clamp, Cable
11	145-5320	2	Battery ASM	27	145-7166	2	Clamp-Cable
11:2	145-5338	1	Decal-Warning, Battery	28	94-2691	2	Screw-HWH Taptite
11:14	32180-466	2	Nut-Mounting, Jwvf Panel Lock	29	145-7178	1	Cover-Front, Battery
12	144-5440-03	2	Bracket-Battery, Side	30	145-7177	1	Cover-Rear, Battery
13	145-7170-03	1	Panel-Battery, Front	31	120-7950	11	Screw-Torx
14	145-7169-03	1	Panel-Battery, Rear	32	122-2323	1	Harness-Wire, Can Terminator
15	32144-70	12	Screw-HWHTF	33	138-5775	3	Screw-Delta Point
16	145-7275	1	Cable-Battery, Rd ASM				
17	145-7276	1	Cable-Battery, Bk ASM				

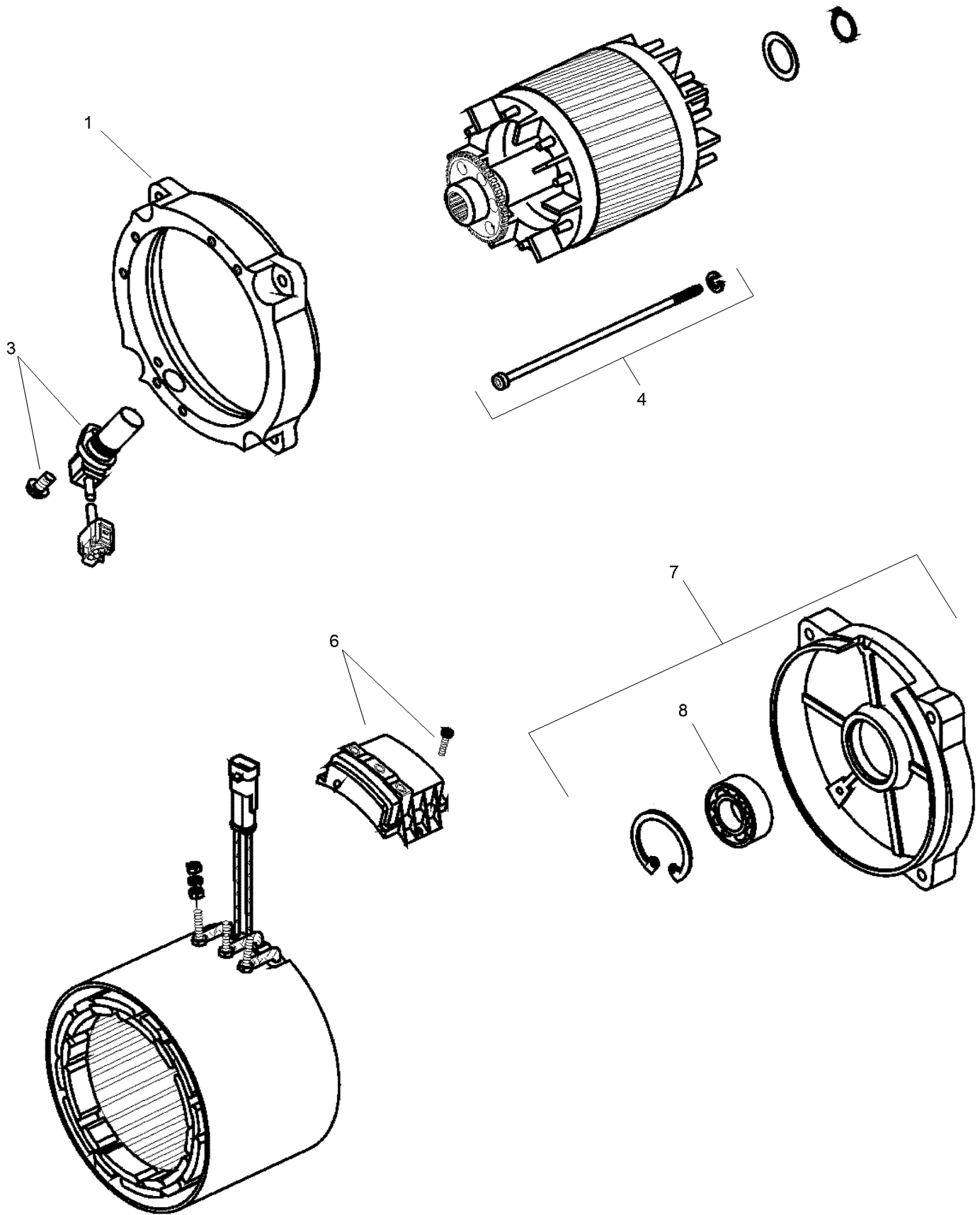
# Transaxle Assembly No. 145-7060



## Transaxle Assembly No. 145-7060 (continued)

<i>Ref.</i>	<i>Part Number</i>	<i>Qty.</i>	<i>Description</i>	<i>Ref.</i>	<i>Part Number</i>	<i>Qty.</i>	<i>Description</i>
1	145-7286	2	Bearing, Ball, Single Row, 6205	10	133-2466	1	Plug-HH
2	145-7287	2	Bearing, Ball, Single Row, 6207	11	133-2463	4	Nut-Lock
3	145-7288	2	Bearing, Ball, Single Row, 6005-2Rs	12	145-7294	1	Vent, Bellows
4	145-7289	2	Seal, Oil, .945 Shaft, 1.499 Bore	13	133-2450	2	Ring-Retaining
5	145-7290	1	Assembly, Differential Case, Standard	14	145-7295	1	Clamp, Hose
6	145-7291	1	Gear, Helical, Output, Finish, 116T	15	145-7296	1	Housing, Machined, Left
7	145-7292	1	Assembly, Shaft And Gear, Intermediate	16	145-7297	1	Housing, Machined, Right
8	145-7293	2	Seal, Oil, 25 MM Shaft, 1.499 Bore	17	145-7298	1	Shaft, Input, 18T
9	133-2462	4	Bolt-HHF	18	145-7299	2	Bearing, Ball, Single Row, 6305
				19	147-4096	1	Tube, Vent
				20	145-7301	2	Bushing, Dowel, .313 X .500
				21	145-7302	1	Drain Plug, Magnetic, O-Ring, 1/2-20
				22	147-4095	12	Screw, Hex Head, 5/16-18, Thread Forming

# Electric Motor Assembly No. 137-6936



# Electric Motor Assembly No. 137-6936 (continued)

<i>Ref.</i>	<i>Part Number</i>	<i>Qty.</i>	<i>Description</i>
1	132-4924	1	Bracket-End, Drive
3	132-4925	1	Sensor
4	132-4926	1	Screw

<i>Ref.</i>	<i>Part Number</i>	<i>Qty.</i>	<i>Description</i>
6	132-4927	1	Plate-Connection
7	132-4928	1	Bracket-End, Rear
8	132-4929	1	Bearing



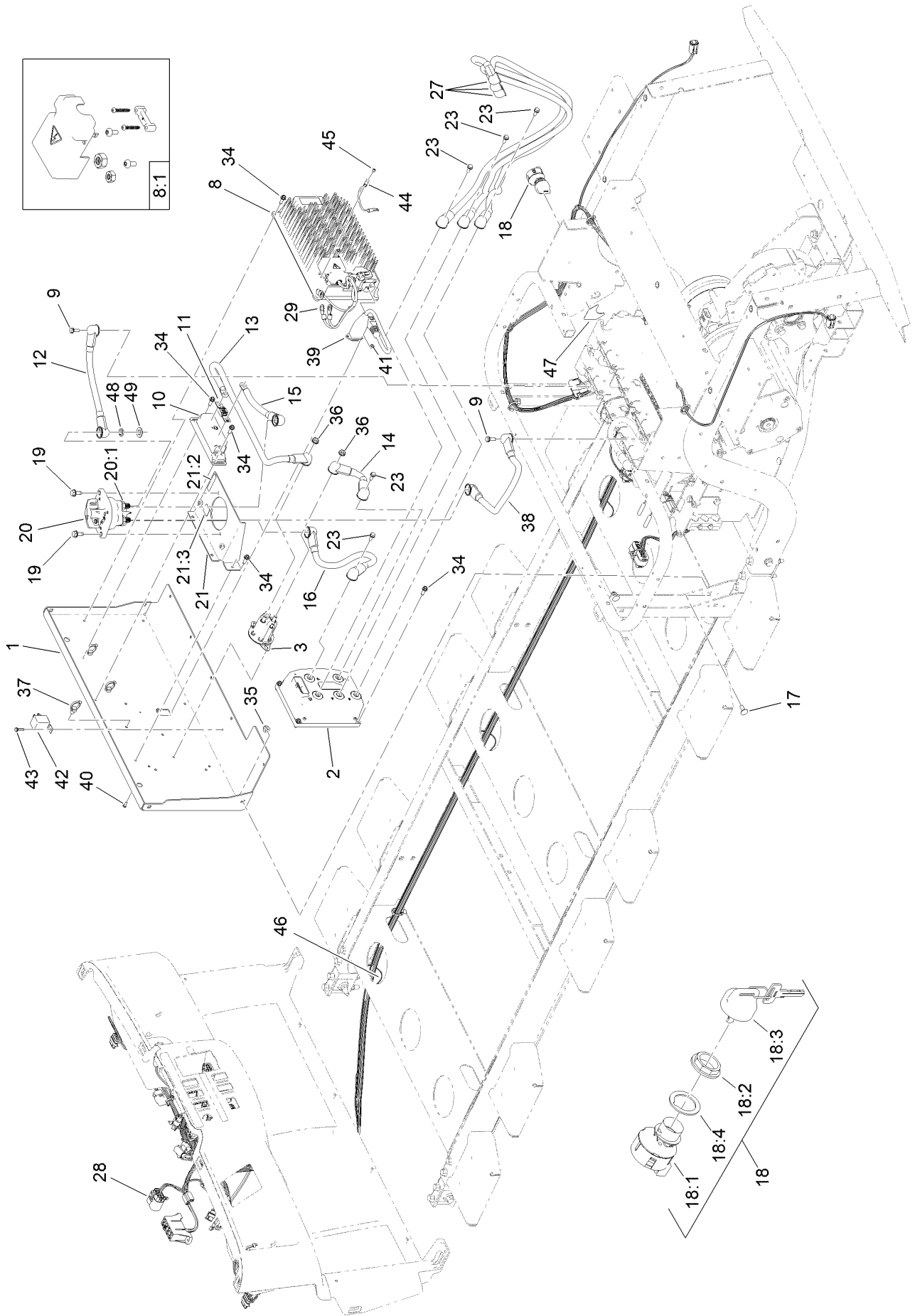


## Dash Electrical Components Assembly (continued)

<i>Ref.</i>	<i>Part Number</i>	<i>Qty.</i>	<i>Description</i>	<i>Ref.</i>	<i>Part Number</i>	<i>Qty.</i>	<i>Description</i>
1	144-6975	1	Converter DC-DC	11	122-2654	1	Switch-Rocker, On-None-On
2	107-0358	1	Horn	12	119-7791	3	Plug-Hole
3	122-2513	1	Switch-Ignition, Suns	13	140-7955	1	Port-Power, USB
3:1	121-5160	1	Nut-Hex ●	14	144-2405	1	Switch-Rocker, On-None-On
3:2	122-2704	1	Nut-Face, M22 (Plastic)	15	144-2415	1	Switch-Rocker, (On)-None-Off
3:3	121-5162	1	Set-Key, Ignition	16	144-5576	1	Decal-Fuse Block, 12V/60V
4	122-2152	1	Controller, Tdm-1601	17	122-2400	1	Relay, 12V Coil, 50A At 48V
5	49-2040	2	Screw-HWHTF	18	145-7110	1	Adapter-Switch, Key
6	3234-5	1	Screw-HHF	19	144-5367-03	1	Bracket-Fuse
7	104-8300	1	Nut-HF, NI				
8	80-9330	1	Audio Alarm ASM				
8:1	104-5107	1	Nut-Plastic, Knurled				
10	100-4351	5	Screw-HWH				

● Not illustrated

# Electrical Assembly



## Electrical Assembly (continued)

<i>Ref.</i>	<i>Part Number</i>	<i>Qty.</i>	<i>Description</i>	<i>Ref.</i>	<i>Part Number</i>	<i>Qty.</i>	<i>Description</i>
1	145-7167-03	1	Plate-Electrical	23	145-5782	5	Screw-Sems
2	145-5050	1	Inv/Ctrlr-48V,185Arms	27	145-7279	3	Cable-Battery,Rd ASM
3	122-2616	1	Contactora-Powerseal	28	122-2322	1	Harness-Wire, Vista, Electric
8	144-5475	1	Charger-Onboard, 900W	29	122-2703	1	Harness-Wire, Charger Power Interface
8:1	140-2494	1	Charger Kit-Service	34	49-2040	15	Screw-HWHTF
9	145-5783	2	Screw-Sems	35	104-8300	4	Nut-HF, NI
10	145-4958	1	Holder-Fuse	36	107-0380	2	Nut-HF
11	122-2561	1	Fuse-200A	37	32180-030	3	Clip-Tie
12	147-3879	1	Cable-Battery,Rd ASM	38	147-3883	1	Cable-Battery,Bk ASM
13	147-3881	1	Cable-Battery,Rd ASM	39	145-7147	1	Cordset W/Filter
14	147-3882	1	Cable-Battery,Rd ASM	40	3250-26	2	Screw-PPH
15	147-3880	1	Cable-Battery,Rd ASM	41	3296-54	2	Nut-Lock
16	147-3884	1	Cable-Battery,Bk ASM	42	122-2401	1	Relay, 48V Coil, 50A At 48V
17	3230-23	4	Bolt-CARR	43	100-4351	1	Screw-HWH
18	110-2580	1	Switch-Key, Supervisor	44	122-2792	1	Harness-Wire, Charger Bonding
18:1		1	Switch-Key ●	45	125-0519	2	Screw-Self Tapping
18:2	108-8660	1	Nut-Mounting	46	3290-378	2	Tie-Cable
18:3	110-5221	1	Set-Key, Supervisor	47	140-0924	1	Decal-Mode
18:4	108-8659	1	Washer-Backup	48	HDW14457	4	Split Lock Washer,1/2,ST/ST,18-8
19	32144-70	2	Screw-HWHTF	49	147-3238	4	Washer-Flat
20	122-0603	1	Switch-Disconnect				
20:1	33006-00	1	Nut-HF				
21	147-3964	1	Disconnect Bracket ASM				
21:2	120-9570	1	Decal-Warning				
21:3	145-7345	1	Decal-Voltage, High				

● Not serviced separately

# Attachments and Accessories

## For 08926 Vista 6 Passenger Lithium Shuttle Vehicle

<b>Product Name</b>	<b>Model/Part</b>
Rear View Mirror Kit.....	08141
Folding Windshield Kit.....	08220
Beige Canopy, Vista 6 Passenger Shuttle Vehicle.....	08221
Beacon Kit.....	08225
Wide Angle Mirror Kit.....	133-1009
Wide Angle Mirror Kit.....	133-1038
Universal Wireless Hourmeter Kit.....	144-2436
Turn Signal Kit.....	144-5587
Side Mirrors Kit.....	145-7140

**Notes:**

**Notes:**

**Notes:**



**Count on it.**