

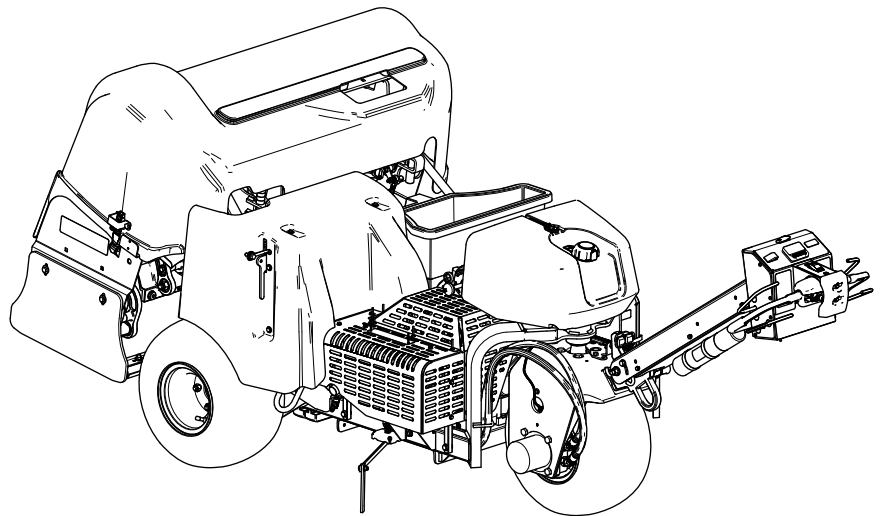


Count on it.

Operator's Manual

ProCore® 648s Aerator

Model No. 09960—Serial No. 41700000 and Up



This product complies with all relevant European directives; for details, please see the separate product specific Declaration of Conformity (DOC) sheet.

Because in some areas there are local, state, or federal regulations requiring that a spark arrester be used on the engine of this machine, a spark arrester is available as an option. If you require a spark arrester, contact your authorized Toro distributor. Genuine Toro spark arresters are approved by the USDA Forestry Service.

The enclosed engine owner's manual is supplied for information regarding the US Environmental Protection Agency (EPA) and the California Emission Control Regulation of emission systems, maintenance, and warranty. Replacements may be ordered through the engine manufacturer.

▲ WARNING

CALIFORNIA Proposition 65 Warning

The engine exhaust from this product contains chemicals known to the State of California to cause cancer, birth defects, or other reproductive harm.

Battery posts, terminals, and related accessories contain lead and lead compounds, chemicals known to the State of California to cause cancer and reproductive harm. Wash hands after handling.

Use of this product may cause exposure to chemicals known to the State of California to cause cancer, birth defects, or other reproductive harm.

Introduction

A walking operator controls this machine, and it is intended to be used by professional, hired operators in commercial applications. The machine is designed primarily for aerating large areas on well-maintained lawns in parks, golf courses, sports fields, and on commercial grounds. Using this product for purposes other than its intended use could prove dangerous to you and bystanders.

Read this information carefully to learn how to operate and maintain your product properly and to avoid injury and product damage. You are responsible for operating the product properly and safely.

Visit www.Toro.com for product safety and operation training materials, accessory information, help finding a dealer, or to register your product.

Whenever you need service, genuine Toro parts, or additional information, contact an authorized Toro distributor and have the model and serial numbers of your product ready. [Figure 1](#) identifies the location of the model and serial numbers on the product. Write the numbers in the space provided.

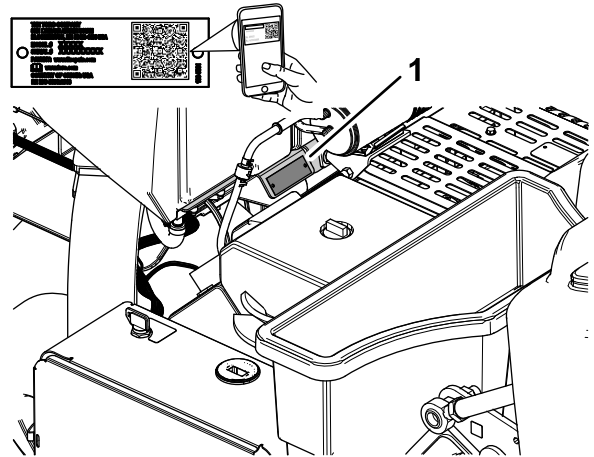


Figure 1

g338254

1. Model and serial number location

Model No. _____

Serial No. _____

This manual identifies potential hazards and has safety messages identified by the safety-alert symbol ([Figure 2](#)), which signals a hazard that may cause serious injury or death if you do not follow the recommended precautions.



Figure 2

g000502

1. Safety-alert symbol

This manual uses 2 words to highlight information. **Important** calls attention to special mechanical information and **Note** emphasizes general information worthy of special attention.

Contents

Safety	4	Stowing the Depth-Stop Spacers for Automatic Ground Following	54
General Safety	4	Adding Additional Weight	55
Safety and Instructional Decals	5	Moving the Machine by Hand	55
Setup	10	Moving the Machine when the Coring Head is Lowered	56
1 Installing the Rear Wheels	11	Operating Tips	57
2 Installing the Handle	11	After Operation	60
3 Charging and Connecting the Battery	14	After Operation Safety	60
4 Installing the Rear Hood Latch Lock	15	Cleaning the Machine	60
5 Installing the Belt-Cover Latch Lanyard	16	Tie-Down Points	60
6 Applying the CE Decal and the Production Year Decal	16	Hauling the Machine	61
7 Installing the Tine Holders, Turf Guards, and Tines	17	Maintenance	62
Product Overview	18	Maintenance Safety	62
Controls	18	Recommended Maintenance Schedule(s)	62
Handlebar Controls	18	Daily Maintenance Checklist	63
Traction Controls	19	Pre-Maintenance Procedures	64
Coring Head Controls	19	Preparing the Machine for Maintenance	64
Engine Controls	20	Lifting the Machine	64
InfoCenter	20	Removing the Belt Cover	65
Specifications	24	Installing the Belt Cover	66
Attachments/Accessories	24	Removing the Coring-Head Cover	67
Before Operation	25	Installing the Coring-Head Cover	68
Before Operation Safety	25	Lubrication	69
Adding Fuel	25	Checking the Coring Head Bearings	69
Performing Daily Maintenance	26	Engine Maintenance	69
Testing the Safety Interlock System	26	Engine Safety	69
Installing Turf Guards, Tine Holders, and Tines	29	Servicing the Air Cleaner	69
Hole Depth, Hole Spacing, and Tine Settings	30	Engine Oil Specification	70
Setting the Hole Depth	32	Checking the Engine-Oil Level	71
Setting the Hole Spacing	33	Changing the Engine Oil and Filter	71
Setting Tine Diameter	33	Servicing the Spark Plugs	72
Setting the Tines Quantity	34	Cleaning the Engine Screen	73
Calibrating the Tine Ground Height	34	Fuel System Maintenance	74
During Operation	37	Replacing the Fuel Filter	74
During Operation Safety	37	Draining the Fuel Tank	74
Slope Safety	37	Electrical System Maintenance	75
Engaging the Parking Brake	38	Electrical System Safety	75
Releasing the Parking Brake	38	Servicing the Battery	75
Starting the Engine	39	Replacing the Fuses	76
Shutting Off the Engine	39	Drive System Maintenance	77
Using the Machine	40	Checking the Tire Pressure	77
Using the Line Marker	46	Belt Maintenance	78
Using Aerator Statistics for Estimating Topdressing	46	Inspecting the Belts	78
Supporting the Coring Head with the Service Latch	48	Adjusting the Pump Belt	78
Stowing the Service Latch	49	Hydraulic System Maintenance	79
Replacing a Damaged Tine	49	Hydraulic System Safety	79
Checking the Tine Ground-Height Calibration	50	Relieving Hydraulic Pressure	79
Adjusting the Weight Transfer	52	Checking the Hydraulic Lines	79
Using Manual Ground Following	53	Hydraulic Fluid Specifications	80
		Checking the Hydraulic-Fluid Level	80
		Changing the Hydraulic Fluid and Filters	81
		Aerator Maintenance	82
		Checking the Fastener Torque	82
		Adjusting the Side Shields	82
		Replacing the Turf Guards	82
		Coring Head Timing	83


Storage	83
Storage Safety.....	83
Storing the Machine for less than 30 days	83
Storing the Machine for the Season	84
Troubleshooting	85

Safety

General Safety

This product is capable of causing personal injury. Always follow all safety instructions to avoid serious personal injury.

- Read and understand the contents of this *Operator's Manual* before starting the engine.
- Use your full attention while operating the machine. Do not engage in any activity that causes distractions; otherwise, injury or property damage may occur.
- Do not put your hands or feet near moving components of the machine.
- Do not operate the machine without all guards and other safety protective devices in place and working on the machine.
- Keep the machine away from bystanders while it is moving.
- Keep clear of the opening around the tines. Keep bystanders and pets away from the machine.
- Keep children out of the operating area. Never allow children to operate the machine.
- Park the machine on a level surface, fully raise and latch the handlebar to engage the parking brake, shut off the engine, remove the key, and wait for all moving parts to stop before servicing, fueling, or unclogging the machine.

Improperly using or maintaining this machine can result in injury. To reduce the potential for injury, comply with these safety instructions and always pay attention to the safety-alert symbol , which means Caution, Warning, or Danger—personal safety instruction. Failure to comply with these instructions may result in personal injury or death.

Safety and Instructional Decals



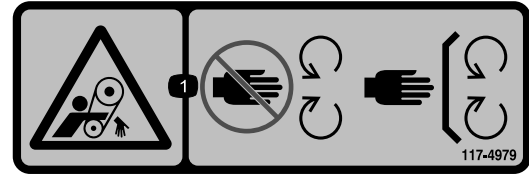
Safety decals and instructions are easily visible to the operator and are located near any area of potential danger. Replace any decal that is damaged or missing.



Battery Symbols

Some or all of these symbols are on your battery.

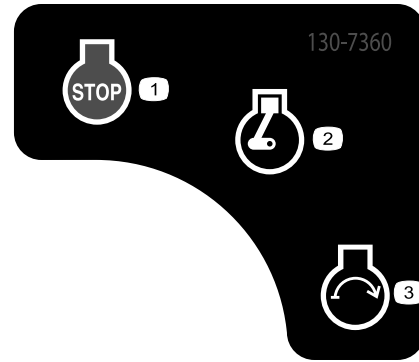
- | | |
|----------------------------------------|---------------------------------------------------------------------------------|
| 1. Explosion hazard | 6. Keep bystanders away from the battery. |
| 2. No fire, open flame, or smoking | 7. Wear eye protection; explosive gases can cause blindness and other injuries. |
| 3. Caustic liquid/chemical burn hazard | 8. Battery acid can cause blindness or severe burns. |
| 4. Wear eye protection. | 9. Flush eyes immediately with water and get medical help fast. |
| 5. Read the <i>Operator's Manual</i> . | 10. Contains lead; do not discard |



117-4979

decal117-4979

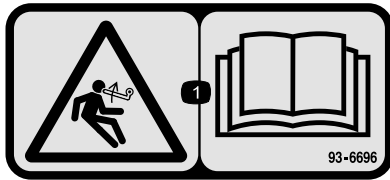
1. Entanglement hazard, belt—keep away from moving parts; keep all guards and shields in place.



130-7360

decal130-7360

1. Engine—off
2. Engine—run/warming
3. Engine—start



93-6696

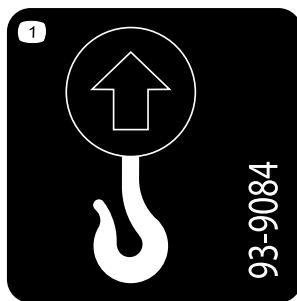
decal93-6696

1. Stored energy hazard—read the *Operator's Manual*.



133-8062

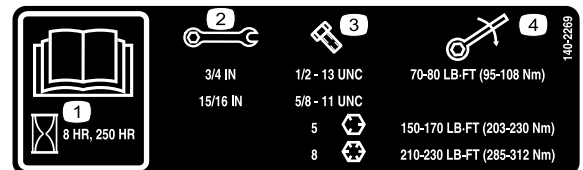
decal133-8062



93-9084

decal93-9084

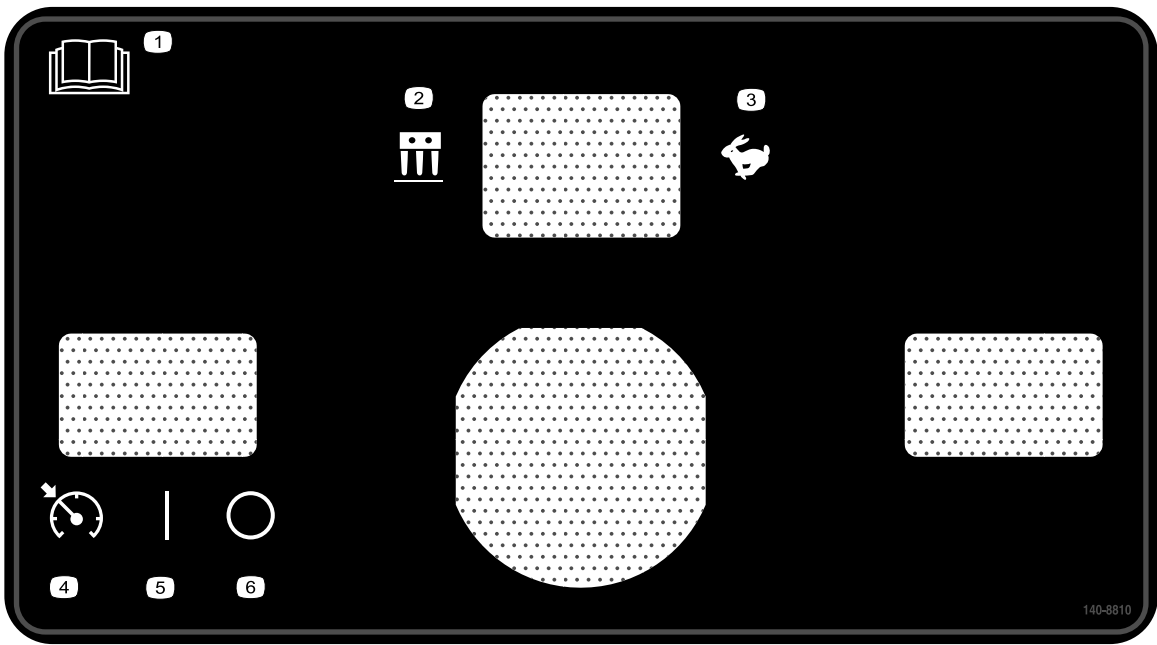
1. Lift point/Tie-down point



140-2269

decal140-2269

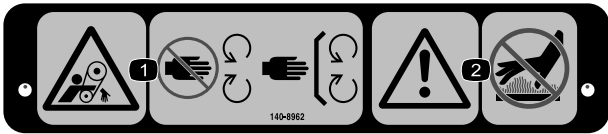
1. Read the *Operator's Manual*.
2. Wrench size
3. Bolt size
4. Torque



140-8810

decal140-8810

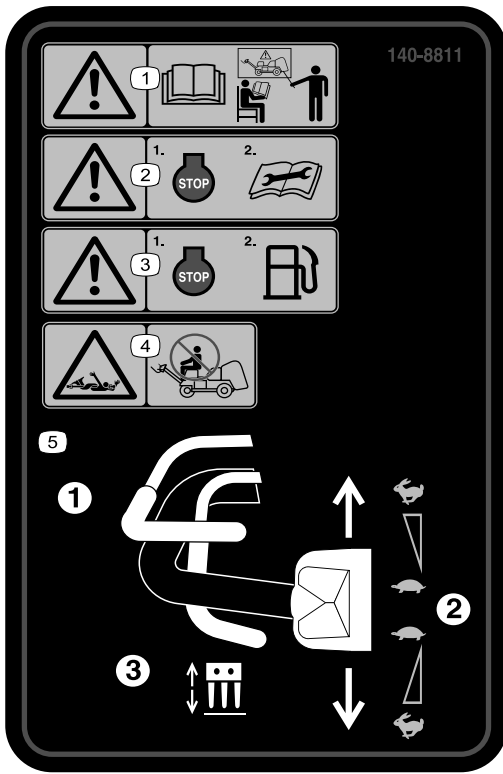
- | | |
|----------------------------------------|-----------------------------|
| 1. Read the <i>Operator's Manual</i> . | 4. Speed-lock switch—Engage |
| 2. Aeration mode | 5. Speed-lock switch—On |
| 3. Transportation mode | 6. Speed-lock switch—Off |



decal140-8962

140-8962

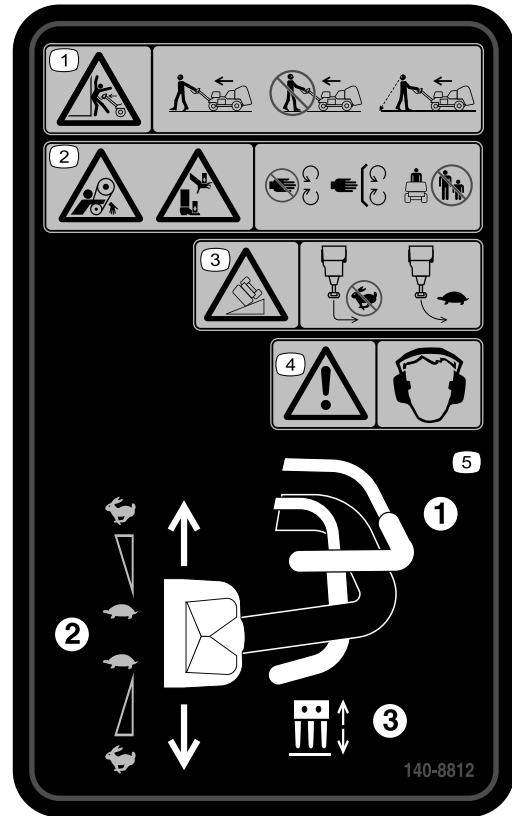
- | | |
|-------------------------------------------------------------------------------------|---------------------------------------|
| 1. Entanglement hazard, belt—stay away from moving parts; keep all guards in place. | 2. Warning—do not touch hot surfaces. |
|-------------------------------------------------------------------------------------|---------------------------------------|



140-8811

decal140-8811

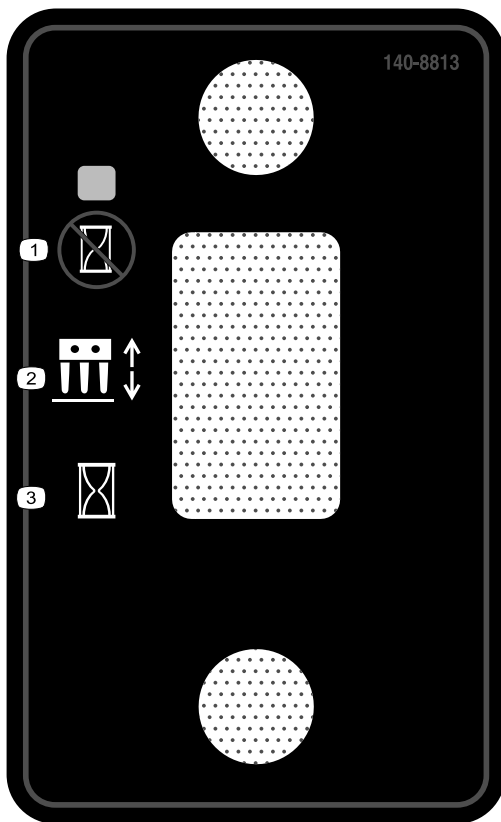
1. Warning—all operators should read the *Operator's Manual* and be trained before operating the machine.
2. Warning—shut off the engine before performing maintenance.
3. Warning—shut off the engine before adding fuel.
4. Entanglement hazard—do not ride on the machine.
5. To operate the machine, (1) squeeze the operator presence bail, (2) rotate the traction control, (3) squeeze the aerate bail.



140-8812

decal140-8812

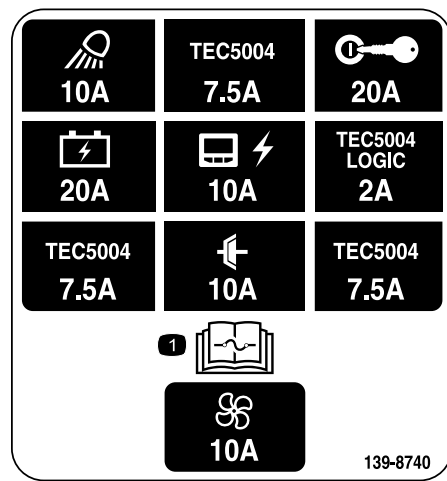
1. Warning crushing hazard—walk in front and face forward while operating the machine; do not walk backward and face away when operating the machine; look behind you when walking backward while operating the machine.
2. Entanglement hazard, belt; crushing hazard of hand or foot—stay away from moving parts, keep all guards and shields in place; keep bystanders away.
3. Tipping hazard—do not turn sharply while traveling fast; drive slowly when turning; do not drive the machine on a slope greater than 15°.
4. Warning—wear hearing protection.
5. To operate the machine, (1) squeeze the operator presence bail, (2) rotate the traction control, (3) squeeze the aerate bail.



140-8813

decal140-8813

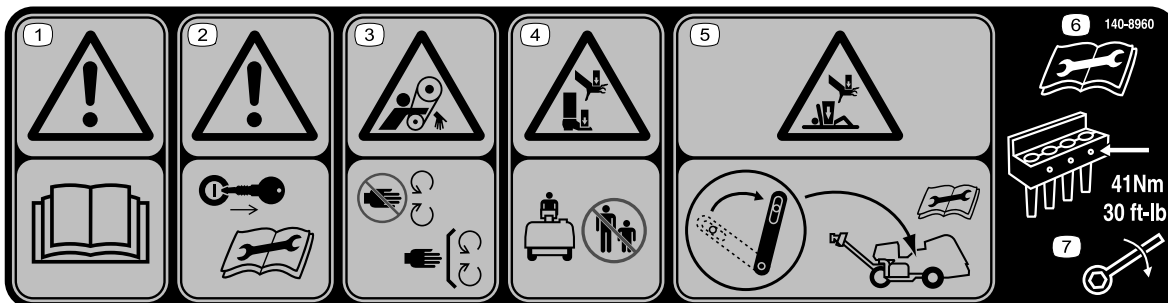
1. Lower the corning head at the targeting location.
2. Corning head switch
3. Lower the corning head immediately.



139-8740

decal139-8740

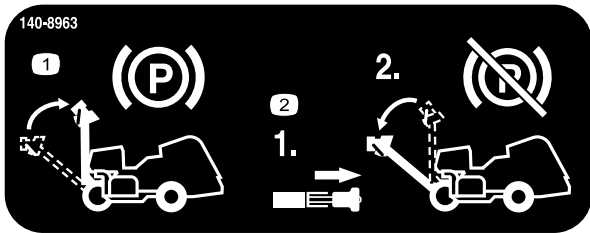
1. Read the *Operator's Manual* for information on fuses.



140-8960

decal140-8960

1. Warning—read the *Operator's Manual*.
2. Warning—remove the key before performing maintenance.
3. Entanglement hazard, belt—stay away from moving parts.
4. Crushing hazard of the hand or foot—keep bystanders away.
5. Crushing hazard of the hand or body—engage the service latch before performing maintenance.
6. Read the *Operator's Manual* before performing maintenance.
7. Torque the tine bolts to 41 N·m (30 ft-lb).



140-8963

decal140-8963

1. Raise the handle to engage the parking brake.
2. Pull the handlebar latch to disengage the parking brake.

9	10	11	12	13	
5	10W-30	2.0 QTS.* 1.9 L	100	100	
4	PX FLUID	1.75 GAL.* 6.6 L	400	400	(A) 75-1310 107-9531
8				100	
7	GASOLINE	7.5 GALS. 28.4 L		100	

139-8653

decal139-8653

1. Read the *Operator's Manual*.
2. Check every 8 hours
3. Tire pressure
4. Hydraulic fluid
5. Engine oil
6. Battery
7. Fuel
8. Engine air filter
9. Read the *Operator's Manual*.
10. Fluids
11. Capacity
12. Fluid interval (hours)
13. Filter interval (hours)

Setup

Loose Parts

Use the chart below to verify that all parts have been shipped.

Procedure	Description	Qty.	Use
1	Wheel assembly	2	Install the rear wheels.
2	Handle Locknut (1/2 inch)	1 3	Install the handle.
3	Bolt (1/4 x 1 inch) Flange nut (5/16 inch)	2 2	Charge and connect the battery.
4	Latch lock Tap bolt Internal tooth lock washer	2 2 2	Securing the rear hood (CE only).
5	Lanyard Pop rivet Bolt (1/4 x 1 inch) Locknut (1/4 inch)	1 1 1 1	Secure the belt cover (CE only).
6	CE decal Production year decal	1 1	Apply the CE decal and the production year decal.
7	No parts required	–	Install the tine holders, turf guards, and tines.

Media and Additional Parts

Description	Qty.	Use
Ignition key	2	Controls the engine and electrical systems.
Turf guard clamp Flange nut	4 12	Install the turf guards.
Operator's Manual Engine owner's manual	1 1	Read before operating the machine.
Declaration of conformity	1	CE certification
Pre-delivery checklist	1	Ensure that all setup procedures have been completed before delivery.

Note: The front of the machine is located at the operator handle, and is the normal operator position. Left and right are in relation to the direction of travel as you walk with machine following you.

Note: To raise the coring head after uncrating the machine, release the aerate bail and start the engine; refer to [Starting the Engine \(page 39\)](#) and [Raising the Coring Head \(page 45\)](#) for more information.

1

Installing the Rear Wheels

Parts needed for this procedure:

2	Wheel assembly
---	----------------

Procedure

Note: If available, use a hoist to lift the rear of the machine. Use the eyelets in the coring-head bearing housings as hoist attachment points (Figure 3).

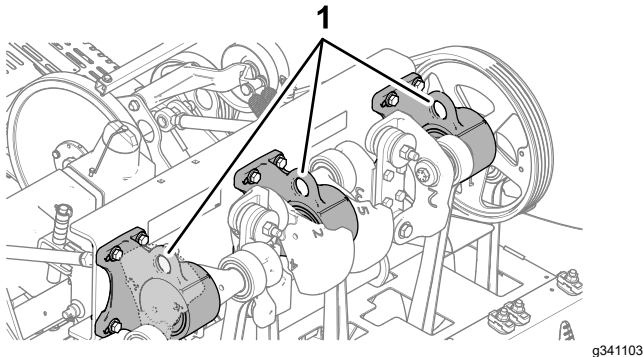


Figure 3

1. Eyelets (coring-head bearing housings)

1. At the rear of the machine, remove the 4 lug nuts that secure the rear of the machine to brackets of the shipping pallet.
2. Assemble a wheel assembly onto each rear-wheel hub with the 4 lug nuts (Figure 4).

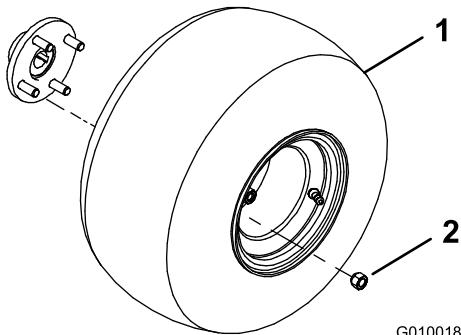


Figure 4

1. Wheel assembly
2. Lug nut

3. Torque the lug nuts to 61 to 75 N·m (45 to 55 ft-lb).
4. Repeat steps 1 through 3 at the other side of the machine.

5. Deflate all tires to 83 kPa (12 psi).

2

Installing the Handle

Parts needed for this procedure:

1	Handle
3	Locknut (1/2 inch)

Assembling the Handle to the Machine

1. Insert the studs at the end of the handlebar into the holes in the steering arm (Figure 5).

Note: Have another person help hold the handlebar.

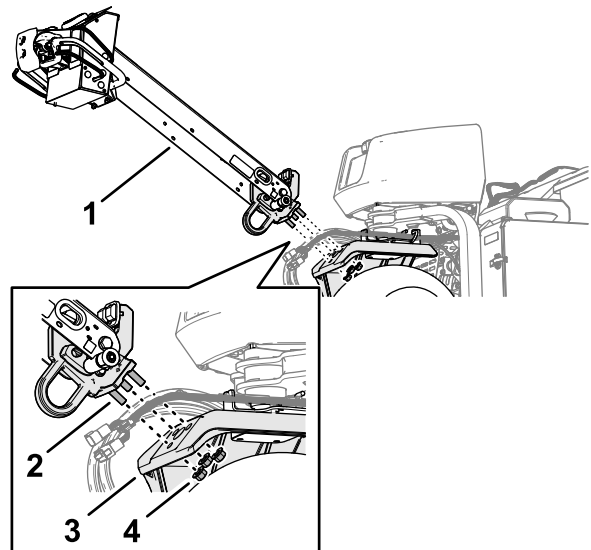


Figure 5

1. Handlebar
2. Stud
3. Steering arm
4. Flange locknuts (1/2 inch)

2. Thread a flange locknut (1/2 inch) onto each of the 3 studs.
3. Torque the flange locknuts to 91 to 113 N·m (67 to 83 ft-lb).
4. Rotate the handlebar up and secure it with the handlebar-latch pin (Figure 6).

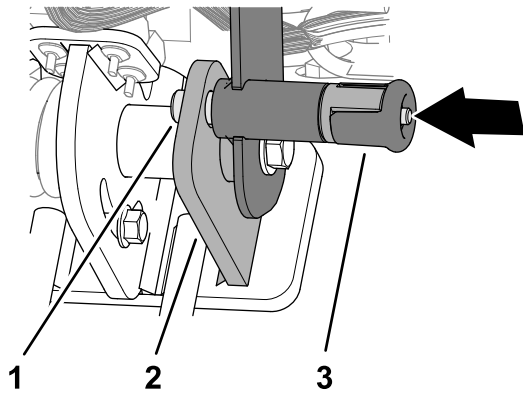


Figure 6

g342477

1. Handlebar-latch pin
2. Detent plate
3. Handlebar-latch knob

Connecting the Wire Harness

1. Route the 6-pin connector and the 12-pin connector of the machine wire harness through the grommet in the handle-bar channel ([Figure 8](#)).

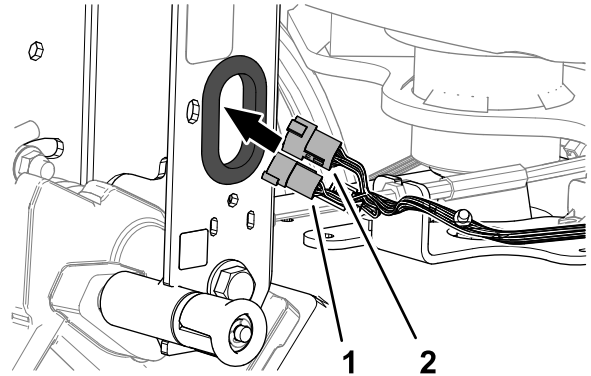


Figure 8

g358122

1. 6-pin connector (machine wire harness)
2. 12-pin connector (machine wire harness)

Assembling the Brake Cable

1. Route the fitting of the brake cable under the bottom of the handle-bar channel ([Figure 7](#)).

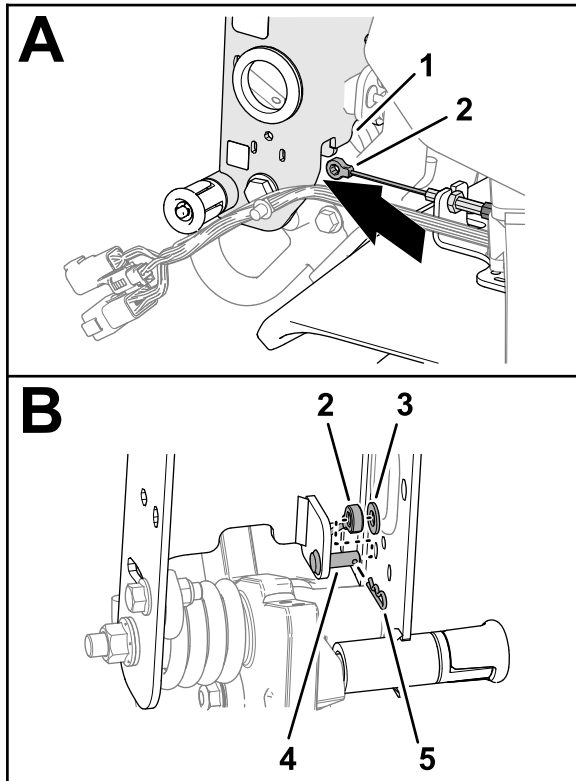


Figure 7

g358118

1. Handle-bar channel
2. Brake-cable fitting
3. Washer (5/16 inch)
4. Clevis pin
5. Hairpin

2. Assemble the brake-cable fitting on to the clevis pin, and secure the fitting to the pin with the washer and hairpin.

2. Plug the 12-pin connector of the machine harness into the 12-socket connector of the handlebar wire harness ([Figure 9](#)).

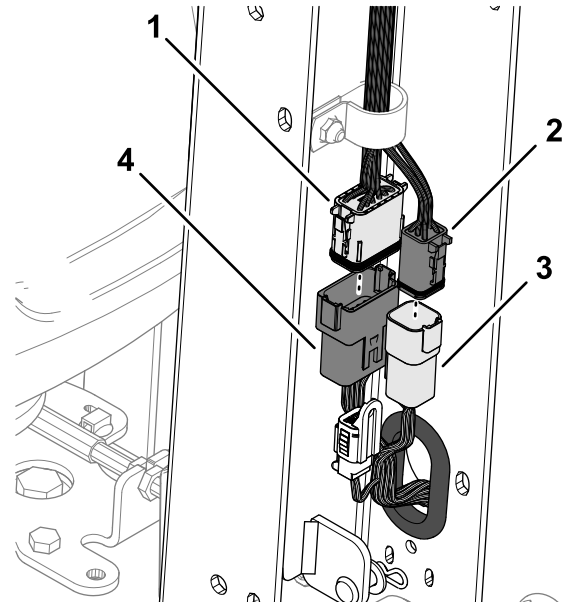


Figure 9

g358121

1. 12-socket connector (handle wire harness)
2. 6-socket connector (handle wire harness)
3. 6-pin connector (machine wire harness)
4. 12-pin connector (machine wire harness)

3. Plug the 6-pin connector of the machine harness into the 6-socket connector of the handlebar harness.
4. Insert the push-in anchor of the machine harness into the hole in the handle-bar channel ([Figure 10](#)).

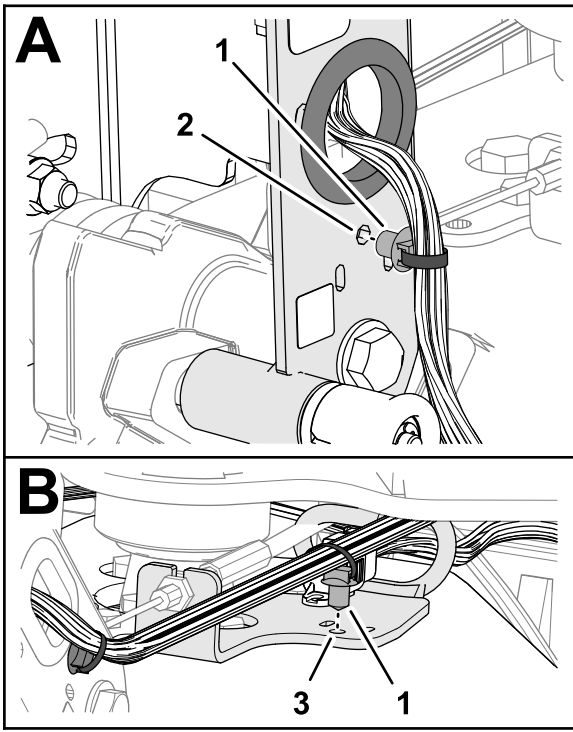


Figure 10

g358123

1. Push-in anchor
2. Handle-bar channel
3. Guide bracket

5. Insert the push-in anchor of the machine harness into the hole in the guide bracket.
6. Secure the machine harness to the handle-bar channel with a cable tie through the slots in the channel ([Figure 11](#)).

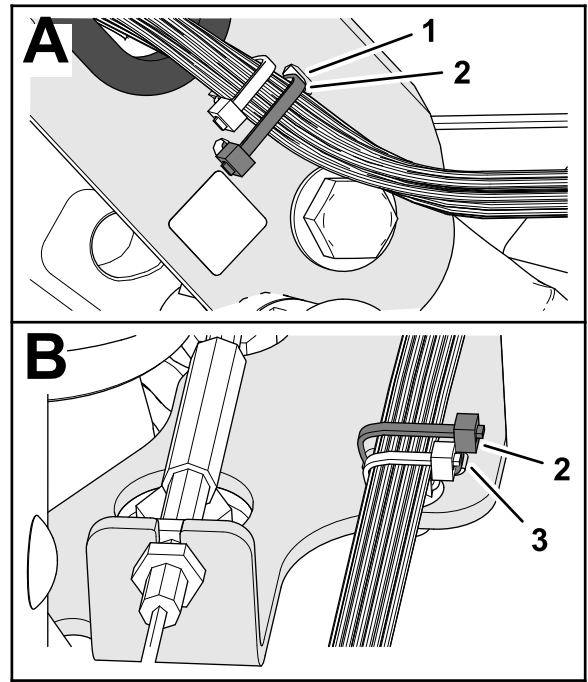


Figure 11

g372270

1. Slot (handle-bar channel)
2. Cable tie
3. Slot (guide bracket)

7. Secure the machine harness to the guide bracket with a cable tie through the slots in the bracket.

Installing the Handlebar Cover

1. Align the small notch in the handlebar cover with the notch up ([Figure 12](#)).

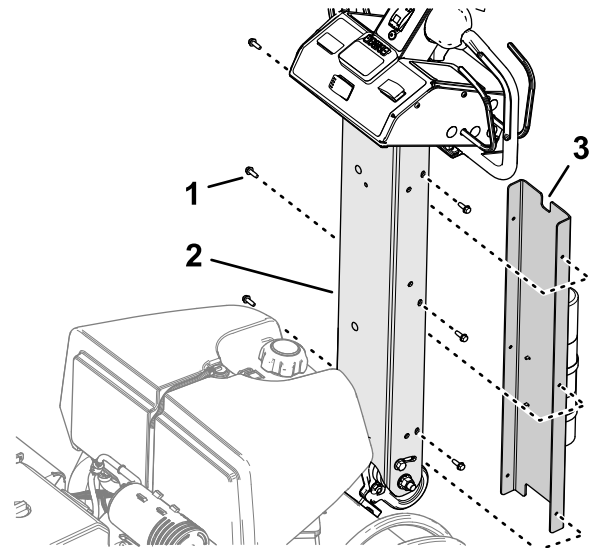


Figure 12

g512187

1. Thread-forming screw (1/4 inch)
2. Handle-bar channel
3. Small notch (handle-bar cover)

- Align the holes in the cover with the holes in the handle-bar channel.
- Secure the cover to the handlebar with the 6 thread-forming screws (1/4 inch).

⚠ WARNING

Incorrect battery cable routing could damage the machine and cables, causing sparks. Sparks can cause the battery gasses to explode, resulting in personal injury.

- Always *disconnect* the negative (black) battery cable before disconnecting the positive (red) cable.
- Always *connect* the positive (red) battery cable before connecting the negative (black) cable.

3

Charging and Connecting the Battery

Parts needed for this procedure:

2	Bolt (1/4 x 1 inch)
2	Flange nut (5/16 inch)

Charging the Battery

⚠ DANGER

Battery electrolyte contains sulfuric acid which is a deadly poison and causes severe burns.

- Avoid contact with skin, eyes, or clothing. Wear safety glasses to shield your eyes and rubber gloves to protect your hands.
- Remove, charge, and install the battery where clean water is always available for flushing the skin.

⚠ WARNING

Charging the battery produces gasses that can explode.

Never smoke near the battery and keep sparks and flames away from it.

⚠ WARNING

Battery terminals or metal tools could short against metal machine components, causing sparks. Sparks can cause the battery gasses to explode, resulting in personal injury.

- When removing or installing the battery, do not allow the battery terminals to touch any metal parts of the machine.
- Do not allow metal tools to short between the battery terminals and metal parts of the machine.

- Unlatch and open the battery-compartment door (Figure 13).

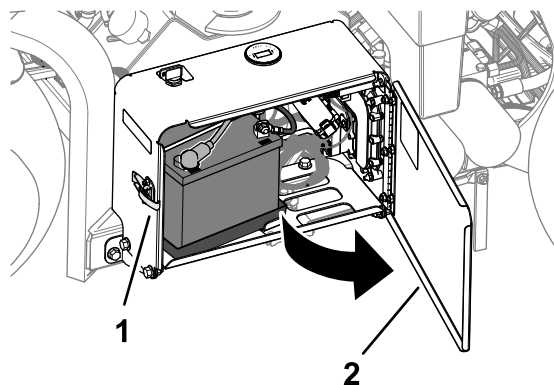


Figure 13

g338268

- Latch
- Battery-compartment door

- Remove the battery from the battery compartment.
- Use a battery charger with a 3 to 4 A charging capacity to charge the battery.
- When the battery is charged, disconnect the charger from the electrical outlet and battery posts.

Installing the Battery

- Assemble the battery into the tray in the battery compartment (Figure 14). Position the battery so that the terminals are aligned the outward.

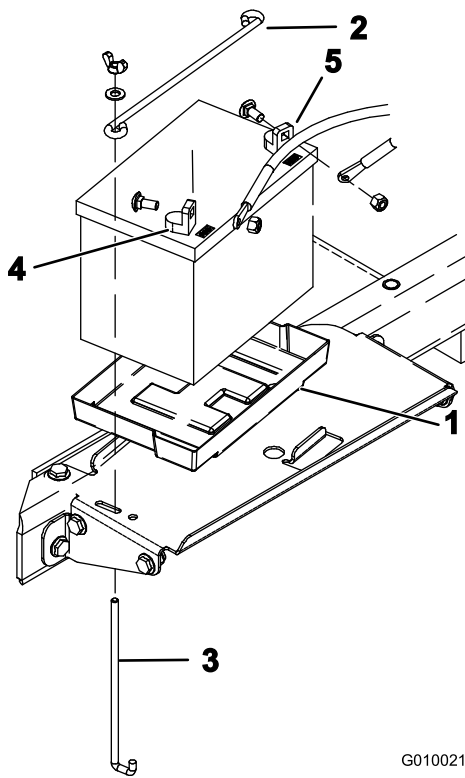


Figure 14

G010021

g010021

- | | |
|------------------|--------------------------|
| 1. Battery tray | 4. Positive terminal (+) |
| 2. Hold-down rod | 5. Negative terminal (-) |
| 3. J-rod | |

- Secure the battery to the compartment base with a hold-down rod, 2 J-rods, 2 flat washers, and 2 wing nuts.
- Secure the positive cable (red) to the positive (+) battery terminal with a carriage bolt and nut.
- Slide the rubber boot over the positive terminal.
- Secure the negative cable (black) to the negative (-) terminal of the battery with a carriage bolt and nut.
- Close and latch the battery compartment door.

4

Installing the Rear Hood Latch Lock

CE Machines

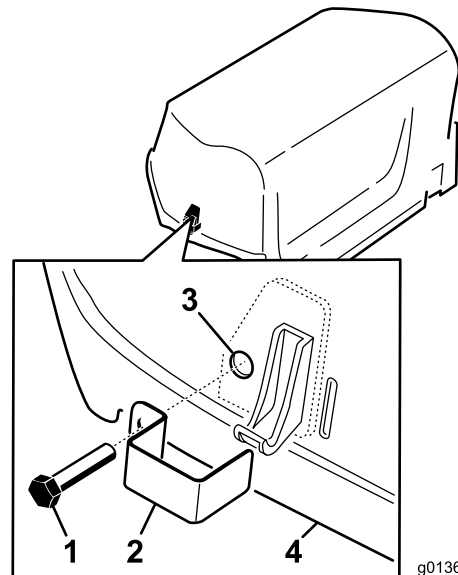
Parts needed for this procedure:

2	Latch lock
2	Tap bolt
2	Internal tooth lock washer

Procedure

If you are setting up this machine for use in the European Union (CE), install the hood-latch lock onto the rear hood as follows to comply with CE regulations.

- Remove the rear hood.
- Install a latch lock over the hood latch (Figure 15) with a tap bolt (2 total).



g013611

g013611

Figure 15

- | | |
|---------------|------------------------------------------|
| 1. Tap bolt | 3. Internal lock washer (inside of hood) |
| 2. Latch lock | 4. Hood |

- Use a pliers and a wrench to thread an internal lock washer onto each bolt (1 to 2 threads) to secure the bolts to the hood.
- Repeat steps 2 through 3 at the other side of the hood.

5. Install the rear hood.

5

Installing the Belt-Cover Latch Lanyard

CE Machines

Parts needed for this procedure:

1	Lanyard
1	Pop rivet
1	Bolt (1/4 x 1 inch)
1	Locknut (1/4 inch)

Procedure

If you are setting up this machine to be compliant with CE, Install the belt cover latch link as follows.

1. Locate the hole in the belt cover next to the slot for the latch lever (Figure 16 and Figure 17).

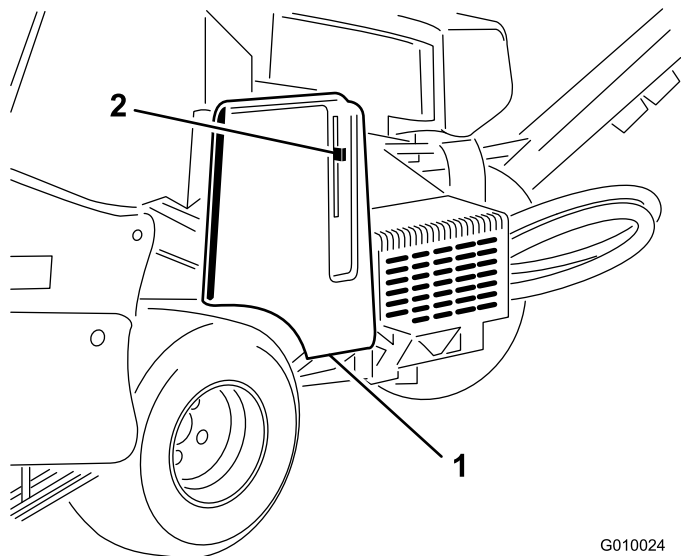


Figure 16

G010024
g010024

1. Belt cover
2. Latch lever

2. Secure the lanyard assembly to the hole in the belt cover with a pop rivet (Figure 17).

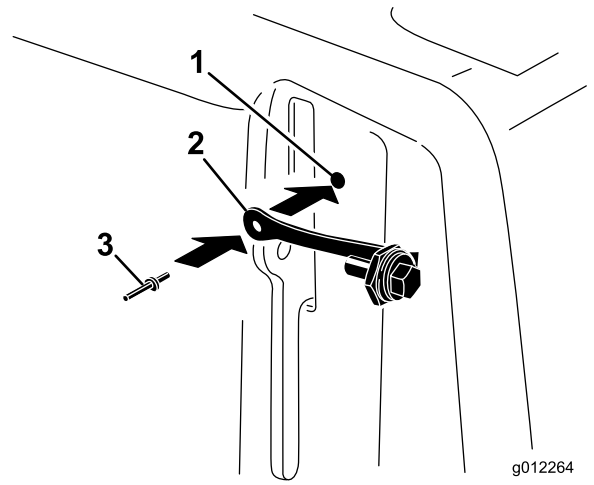


Figure 17

g012264

g012264

1. Belt cover hole
2. Lanyard
3. Pop rivet

3. Thread the bolt into the latch lever (Figure 18).

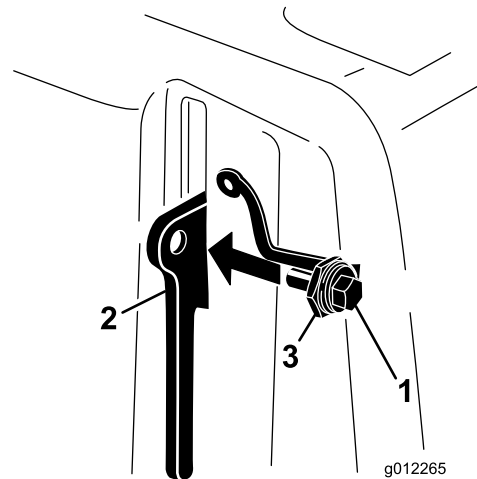


Figure 18

g012265

g012265

1. Bolt
2. Latch lever
3. Nut

6

Applying the CE Decal and the Production Year Decal

CE Machines

Parts needed for this procedure:

1	CE decal
1	Production year decal

Procedure

1. Complete the CE requirements.
2. Clean the fork leg with alcohol as shown in [Figure 19](#) and allow the surface to dry.

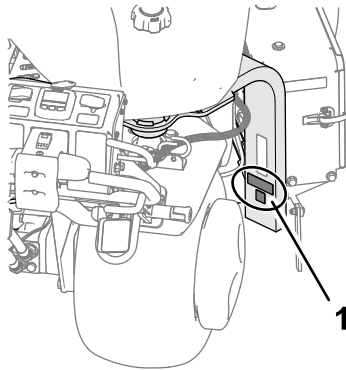


Figure 19

g338269

1. Apply the decals here.
-
3. Apply the CE decal and the production year decal to the fork leg ([Figure 19](#)).

7

Installing the Tine Holders, Turf Guards, and Tines

No Parts Required

Procedure

A wide selection of tine holders, turf guards, and tines are available for the machine. Refer to [Installing Turf Guards, Tine Holders, and Tines](#) (page 29).

Product Overview

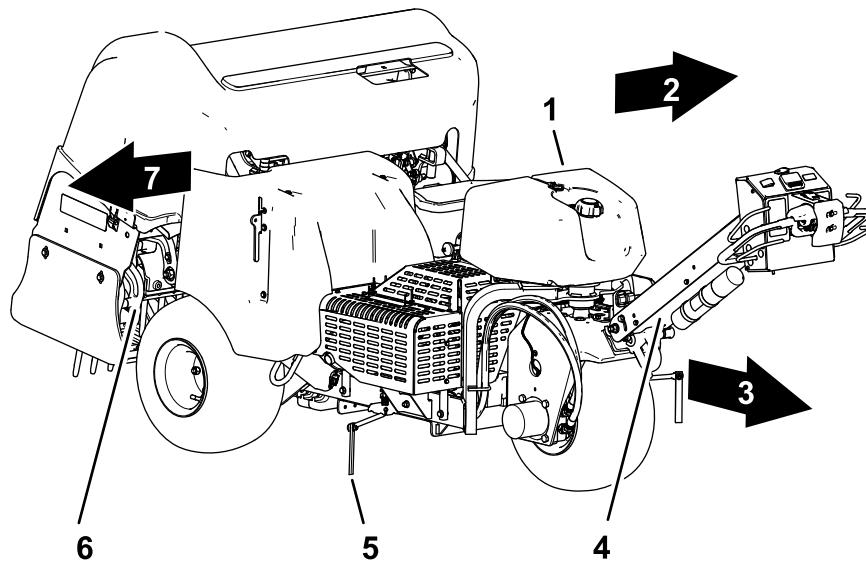


Figure 20

g512200

- | | | |
|----------------------------------|----------------|---------------|
| 1. Fuel tank | 4. Handlebar | 7. Right side |
| 2. Left side | 5. Line marker | |
| 3. Forward (operating direction) | 6. Coring head | |

Controls

Handlebar Controls

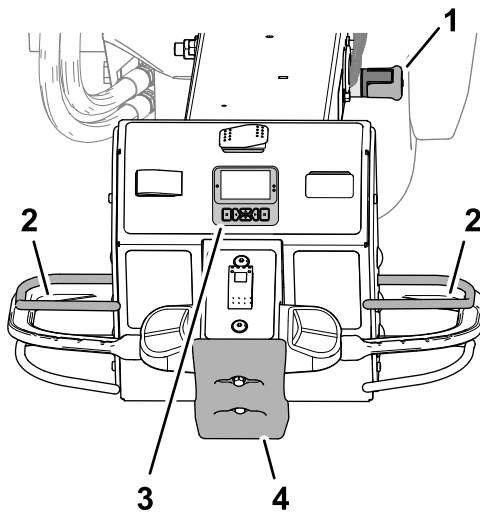


Figure 21

g510064

- | | |
|---------------------------|---------------------|
| 1. Handle-bar latch | 3. InfoCenter |
| 2. Operator presence bail | 4. Bump-stop switch |

Handle-Bar Latch

Use the handle-bar latch (Figure 21) to secure the handlebar in the upward position and to engage the parking brake.

Important: Secure the handlebar in the up position anytime you leave the operator's position.

Operator-Presence Bail

The operator-presence bail (Figure 21) helps ensure that you are in the operator's position while driving the machine or running the coring head.

Note: Releasing the operator-presence bail does not shut off the engine.

InfoCenter

Use the InfoCenter (Figure 21) to adjust how the coring head controls work.

Bump-Stop Switch

If you contact the bump-stop switch (Figure 21), the machine performs the following actions:

- The machine stops driving forward.
- The coring head raises and stops running.

Note: Contacting the bump-stop switch does not shut off the engine. You can drive the machine in the reverse direction, but you must reset the bump switch to drive forward.

Traction Controls

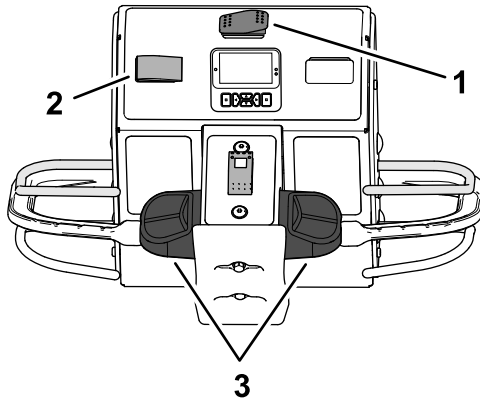


Figure 22

g510065

- 1. Transport/aeration switch
- 2. Speed-lock switch
- 3. Traction controls

Transport/Aeration Switch

Use the transport/aeration switch (Figure 22) to control the maximum speed you can drive the machine while aerating or transporting the machine.

- The AERATION position allows aeration and limits ground speed to 4.0 kph (2.5 mph) or slower.
- The TRANSPORT position allows you to drive the machine at full ground speed or slower between job sites.

Note: You cannot aerate with the transport/aeration switch in the TRANSPORT position.

Traction Controls

Use the left or right traction control (Figure 22) to drive the machine forward or backward.

Speed-Lock Switch—Transport Mode

Use the speed-lock switch (Figure 22) to maintain the ground speed at which you drive the machine; similar to cruise control in an automobile.

- The ENGAGE position locks the current ground speed at which the machine is driving.
- The ON position activates the ground-speed lock.
- The OFF position shuts off the ground-speed lock.

Speed-Lock Switch—Aerate Mode

Use the speed-lock switch (Figure 22) to maintain the ground speed at the aeration hole spacing rate.

- The ON position—activates and engages the ground-speed lock to maintain the ground speed

at the aeration hole spacing rate when you release the aerate bail at the end of an aeration pass.

- The OFF position shuts off the ground-speed lock—the machine stops moving forward when you release the aerate bail.

Coring Head Controls

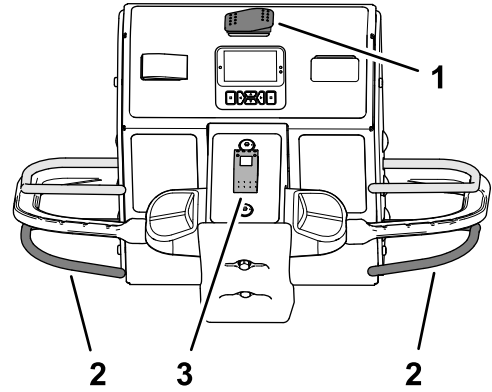


Figure 23

g510066

- 1. Transport/aeration switch
- 2. Aerate bail
- 3. Drop-control switch

Aerate Bail

Use the aerate bail (Figure 23) to lower and raise the coring head.

Drop-Control Switch

Use the drop control switch (Figure 23) to change how the coring head lowers when aerating, you can select the following modes:

- Immediate-drop
- Delayed-drop

Engine Controls

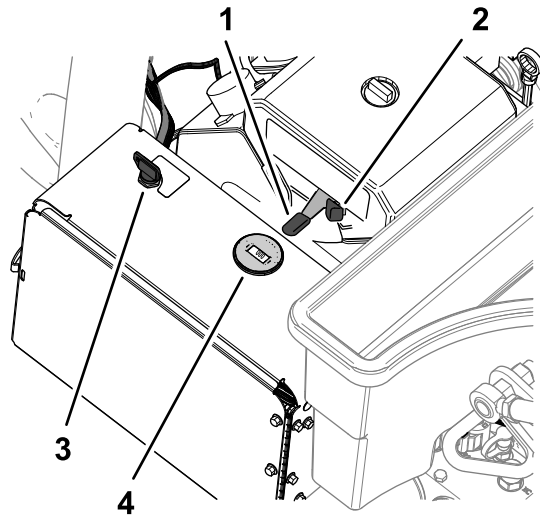


Figure 24

g338575

- | | |
|-------------------|--------------------------|
| 1. Throttle lever | 3. Key (ignition switch) |
| 2. Choke | 4. Tachometer |

Throttle Lever

Use the throttle lever (Figure 24) to control the engine speed:

- Moving throttle lever forward increases engine speed—toward the FAST position.
- Moving throttle lever backward decreases engine speed—toward the SLOW position.

Note: The engine speed regulates the speed of the coring head.

Choke

Use the choke when starting a cold engine (Figure 24).

Ignition Switch and Key

Use the ignition switch (Figure 24) to start and shut off the engine. The switch has 3 positions:

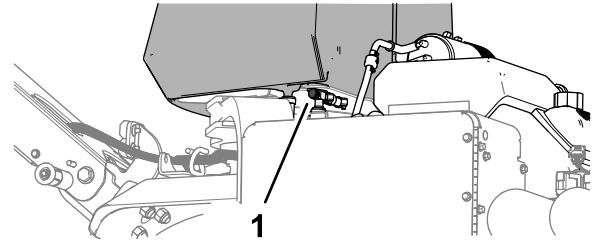
- **START**—rotate key clockwise to the START position to engage the starter motor.
- **RUN**—when the engine starts, release the key and it moves automatically to the ON position.
- **OFF**—rotate the key counterclockwise to the OFF position to shut off the engine.

Tachometer

Use the tachometer to determine the engine speed (Figure 24).

Fuel-Shutoff Valve

Use the fuel-shutoff valve to control fuel from the fuel tank (Figure 25).



g338576

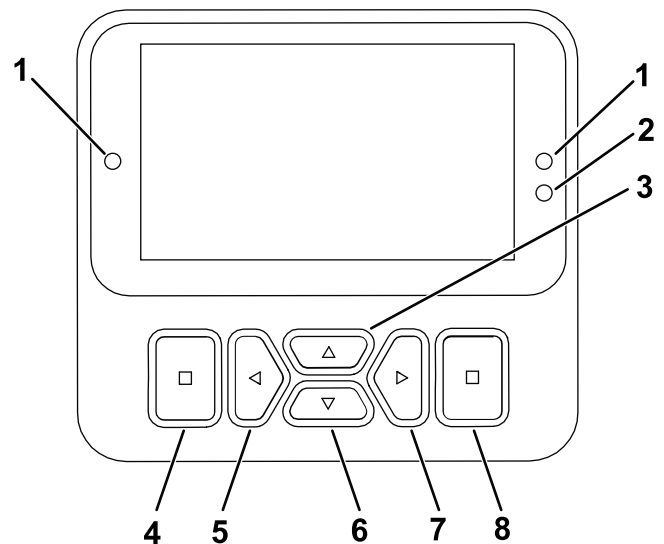
Figure 25

1. Fuel-shutoff valve

InfoCenter

Using the InfoCenter Display

The InfoCenter display (Figure 26) shows information about your machine, such as the operating status, various diagnostics, and other information about the machine.



g471371

Figure 26

- | | |
|------------------------------|----------------------------------------|
| 1. Indicator light | 5. Navigational button—decrease/ left |
| 2. Display brightness sensor | 6. Navigational button—down |
| 3. Navigational button—up | 7. Navigational button—increase/ right |
| 4. Back/exit button | 8. Enter/select button |

Note: The purpose of each button may change depending on what is required at the time. Each button is labeled with an icon displaying its current function.

Use the navigational buttons to navigate between several screens and menu items:

- **Splash screen:** shows current machine information for a few seconds after you move the key to the ON position.
- **Main menu:** refer to [Using the Menus \(page 21\)](#).

InfoCenter Icon Descriptions

SERVICE DUE	Indicates when scheduled service should be performed
	Transport mode
	Hole depth
	Hole spacing
	Tine diameter
	Tines per holder
	Battery
	Hour meter
	Active/OK
	Inactive
	Next
	Previous screen
	Menu
	Increase/decrease value
	Scroll up/down
	Scroll left/right
	Exit to menu

indicates the menu item is accessed by entering the PIN.

Using the Menus





To access the main menu, press the back/exit button while at any of the information screens.


Refer to the following tables for a description of the options available from the menus:

Main Menu




Menu Item	Description
FAULT	Contains a list of the recent machine faults. Refer to the <i>Service Manual</i> or your authorized Toro distributor for more information on the Faults menu.
SERVICE	Contains information on the machine such as hours of use, counters, and other similar numbers.
DIAGNOSTICS	Lists various states that the machine currently has; you can use this to troubleshoot certain issues as it quickly tells you which machine controls are active, and which are shutoff.
SETTINGS	Allows you to enter the PIN or customize the InfoCenter display.
MACHINE SETTINGS	Allows you to modify the operating characteristics and configuration of the machine.
ABOUT	Lists the model number, serial number, and software version of your machine.


Service

Menu Item	Description
STATISTICS	Lists counters for machine run data and operations data, such as engine run time, aeration area/volume/time, aeration travel distance.
HOURS	Displays the total number of hours that the machine, engine and PTO have been on, as well as the number of hours the machine has been transported and service due.
COUNTS	Displays numerous counts the machine has experienced.
SERVICE LIFT	Enable or disable service lift.
SERVICE LOWER	Enable or disable service lower.
3WD	Enable automatic 3WD or always on 3WD.
GROUND HEIGHT 	Indicates if the sensor calibrations are valid, starts the calibration process, and lists the electrical value of the sensor.
TRACTION PUMP 	Indicates if the sensor calibrations are valid, starts the calibration process, and lists the electrical value of the sensor.
TRACTION INPUT 	Indicates if the sensor calibrations are valid, starts the calibration process, and lists the electrical value of the sensor.
HEIGHT SENSOR 	Indicates if the sensor calibrations are valid, starts the calibration process, and lists the electrical value of the sensor.


 indicates the menu item is accessed by entering the PIN.


Settings

Menu Item	Description
ENTER PIN	Allows an authorized person with the PIN code to access protected menus
BACKLIGHT	Controls the brightness of the LCD display
LANGUAGE	Controls the language used on the InfoCenter
UNITS	Controls the units used on the InfoCenter (English or metric)
EDIT PIN 	Allows an authorized person with the PIN code to change the PIN code
PROTECT SETTINGS 	Enables or disables requirement of PIN code entry to access protected settings
RESET DEFAULTS 	Return all settings to default


 indicates the menu item is accessed by entering the PIN.


Machine Settings

Menu Item	Description
MAX TRANSPORT	Allows you to change the maximum forward ground speed; default = 6.4 kph (4 mph)
MANUAL AERATION 	Enables or disables manual aeration

 indicates the menu item is accessed by entering the PIN.

About

Menu Item	Description
Model	Lists the model number of the machine
SN	Lists the serial number of the machine
S/W Revision	Lists the software revision of the master controller
CAN Statistics	Lists the machine communication bus status
InfoCenter Revision 	Lists the software revision of the InfoCenter display

 indicates the menu item is accessed by entering the PIN.

Diagnostics

Menu Item	Description
Traction	Refer to the <i>Service Manual</i> or your authorized Toro distributor for more information on the Diagnostics menu items.
Aeration	
Engine	

Accessing Protected Menus

Protected menus are not shown by default. These settings are unlocked by entering the PIN Code.

Note: The factory default PIN code for your machine is either 0000 or 1234; at the time of delivery, your distributor may have changed the PIN code.

If you changed the PIN code and forgot the code, contact your authorized Toro distributor for assistance.

1. From the MAIN MENU, scroll down to the SETTINGS menu and press the select button (Figure 27).

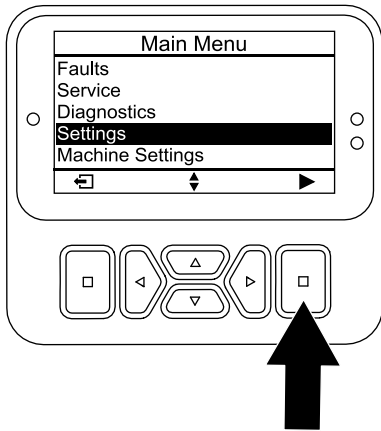


Figure 27

g512797

2. In the SETTINGS menu, scroll to ENTER PIN and press the select button (Figure 28A).

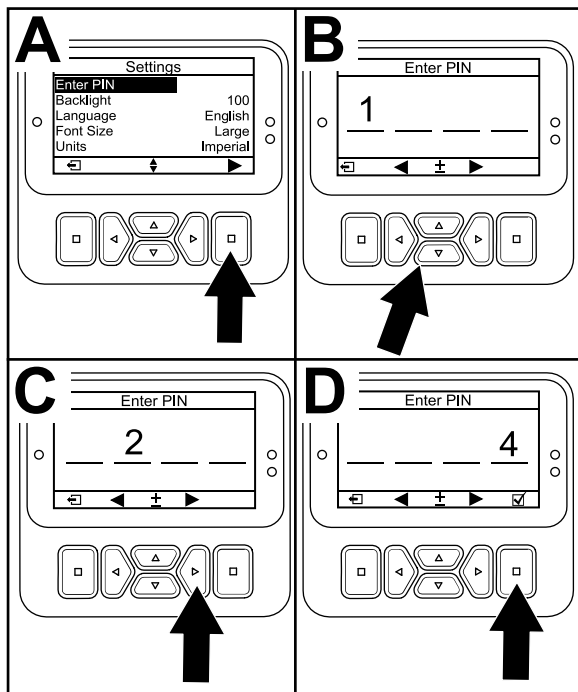


Figure 28

g512810

3. To enter the PIN code, press the up/down navigation buttons until the correct first digit appears, then press the right navigation button to move on to the next digit (Figure 28B and Figure 28C). Repeat this step until the last digit is entered.

4. Press the select button (Figure 28D).

Note: If the display accepts the PIN code and the protected menus are unlocked, **PIN** displays in the upper right corner of the screen.

5. To hide the protected menus, rotate the key switch to the OFF position and then to the ON position.

Using the Protected Menu Setting

1. Once the PIN code is entered, enter the SETTINGS menu, and scroll down to PROTECT SETTINGS.

2. To allow the protected menus to be viewed without entering a PIN code, use the select button to change the PROTECT SETTINGS to (Off).

3. To require the PIN code to view the protected menus, use the select button to change the

PROTECT SETTINGS to (On), set the PIN code, and turn the key in the ignition switch to the OFF position and then to the ON position.

Understanding the Diagnostic Light

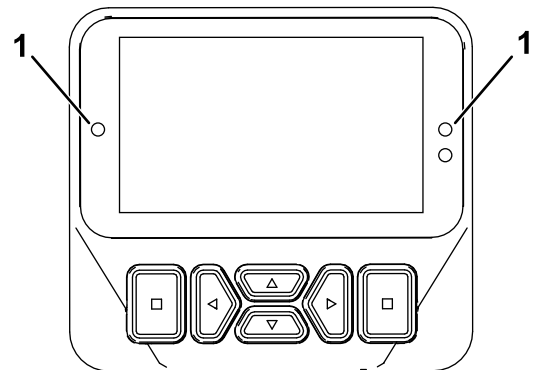


Figure 29

g462666

1. Diagnostic light

- Flashing red—active fault
- Solid red—active advisory
- Solid blue—calibration/dialog messages
- Solid green—normal operation

Specifications

Note: Specifications and design are subject to change without notice.

Width	127 cm (50.1 inches)
Wheelbase	113 cm (44.5 inches)
Track width	97 cm (38.3 inches)
Coring width	122 cm (48 inches)
Length	295 cm (116.3 inches)
Head height (raised)	114 cm (45 inches)
Head height (lowered)	93 cm (36.5 inches)
Height, handle	154.2 cm (60.7 inches)
Ground clearance	12 cm (4.8 inches)
Forward speed	0 to 7.2 kph (0 to 4.5 mph)
Reverse speed	0 to 4 kph (0 to 2.5 mph)
Net weight	745 kg (1,642 lbs)

Attachments/Accessories

A selection of Toro approved attachments and accessories is available for use with the machine to enhance and expand its capabilities. Contact your Authorized Service Dealer or authorized Toro distributor or go to www.Toro.com for a list of all approved attachments and accessories.

To ensure optimum performance, use only genuine Toro replacement parts and accessories. Replacement parts and accessories made by other manufacturers could be dangerous, and such use could void the product warranty.

Refer to the tine configuration table that follows for the tine head, turf guard, and tine information:

Tine Configuration Table

Tine Head Description	Tine Head Spacing	Shank Size	Tine Quantity	Turf Guard Type (quantity)
2x5 Mini-Tine Head	41 mm (1.60 inch)	9.5 mm (3/8 inch)	60	5-Tine—short (2) 5-Tine—long (1)
1x6 Mini-Tine Head	32 mm (1.25 inch)	9.5 mm (3/8 inch)	36	6-Tine—short (2) 6-Tine—long (1)
3 Tine Head (7/8 inch)	66 mm (2.60 inch)	22.2 mm (7/8 inch)	18	3-Tine—short (2) 3-Tine—long (1)
3 Tine Head (3/4 inch)	66 mm (2.60 inch)	19.5 mm (3/4 inch)	18	3-Tine—short (2) 3-Tine—long (1)
4 Tine Head (3/4 inch)	51 mm (2.00 inch)	19.5 mm (3/4 inch)	24	4-Tine—short (2) 4-Tine—long (1)
5 Needle-Tine Head	41 mm (1.60 inch)	—	30	5-tine—short (2) 5-Tine—long (1)

Operation

Note: Determine the left and right sides of the machine from the normal operating position.

Before Operation

Before Operation Safety

General Safety

- Never allow children or untrained people to operate or service the machine. Local regulations may restrict the age of the operator. The owner is responsible for training all operators and mechanics.
- Become familiar with the safe operation of the equipment, operator controls, and safety signs.
- Know how to stop the machine and shut off the engine quickly.
- Before operating, always inspect the machine to ensure that the tines are in good working condition. Replace worn or damaged tines.
- Inspect the area where you plan to use the machine and remove all objects that the machine could strike.
- Locate and mark all electrical or communication lines, irrigation components, and other obstructions in the area to be aerated. Remove the hazards, if possible, or plan how to avoid them.
- Park the machine on a level surface, fully raise and latch the handlebar to engage the parking brake, shut off the engine, remove the key, and wait for all moving parts to stop.
- Check that operator-presence controls, safety switches, and shields are attached and functioning properly. Do not operate the machine unless they are functioning properly.

Fuel Safety

- Use extreme care in handling fuel. It is flammable and its vapors are explosive.
- Extinguish all cigarettes, cigars, pipes, and other sources of ignition.
- Use only an approved fuel container.
- Do not remove the fuel cap or fill the fuel tank while the engine is running or hot.
- Do not add or drain the fuel in an enclosed space.

- Do not store the machine or fuel container where there is an open flame, spark, or pilot light, such as on a water heater or other appliance.
- If you spill fuel, do not attempt to start the engine; avoid creating any source of ignition until the fuel vapors have dissipated.

Adding Fuel

Fuel Specification

Type	Unleaded gasoline
Minimum octane rating	87 (US) or 91 (research octane; outside the US)
Ethanol	No more than 10% by volume
Methanol	None
MTBE (methyl tertiary butyl ether)	Less than 15% by volume
Oil	Do not add to the fuel

Use only clean, fresh (no more than 30 days old), fuel from a reputable source.

Important: To reduce starting problems, add fuel stabilizer/conditioner to fresh fuel as directed by the fuel-stabilizer/conditioner manufacturer.

Filling the Fuel Tank

Fuel tank capacity: 26.5 L (7 US gallons)

1. Park the machine on a level surface, fully raise and latch the handlebar to engage the parking brake, shut off the engine, remove the key, and wait for all moving parts to stop.
2. Clean around the fuel-tank cap and remove it (Figure 30).

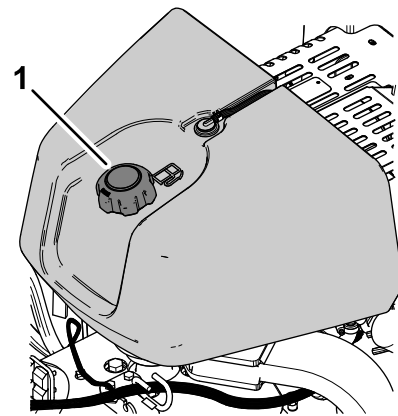


Figure 30

1. Fuel-tank cap

g339517

3. Add fuel to the fuel tank, until the level is 6 mm to 13 mm (1/4 to 1/2 inch) below the bottom of the filler neck.

Important: This space in the tank allows fuel to expand. Do not fill the fuel tank completely full.

4. Install the fuel-tank cap securely.
5. Wipe up any spilled fuel.

Performing Daily Maintenance

Before starting the machine each day, perform the each Use/Daily procedure listed in [Maintenance \(page 62\)](#).

Testing the Safety Interlock System

Service Interval: Before each use or daily

⚠ CAUTION

If safety interlock system is disconnected or damaged, the machine could operate unexpectedly, causing personal injury.

- Do not tamper with the interlock switches.
- Check the operation of the interlock system daily and replace any damaged safety-interlock parts before operating the machine.
- The safety interlock system prevents the engine from starting unless the traction control is in the NEUTRAL position.
- The safety interlock system prevents the engine from starting unless the operator presence bail is fully released.
- The safety interlock system prevents the engine from starting unless the coring head bail is fully released.
- The safety interlock system raises the coring head and shuts it off if you drive the machine backward while aerating or contact the bump-stop switch.

Important: If the safety interlock system does not operate as described, have an authorized Toro distributor repair the safety interlock system immediately.

Raising the Coring Head

If the coring head is lowered, perform the following steps. If the coring head is raised, skip to [Testing the Starter Interlock \(page 26\)](#).

1. Start the engine and set the engine speed to the SLOW position; refer to [Starting the Engine \(page 39\)](#).
2. Lower the handlebar ([Figure 31](#)).

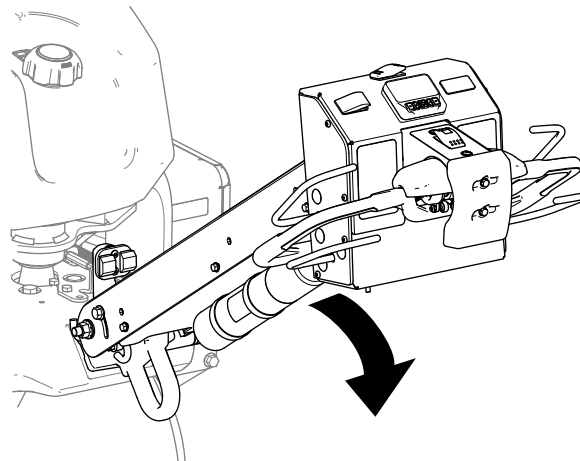


Figure 31

g510117

3. Press any of the buttons on the InfoCenter.
4. Shut off the engine; refer to [Shutting Off the Engine \(page 39\)](#).

Note: The coring head raises.

Testing the Starter Interlock

1. If the engine is running, shut it off.
2. Hold either operator-presence bail to the handlebar and rotate the traction control ([Figure 32](#)) forward or rotate it backward, and start the engine.

Important: The engine must not start.

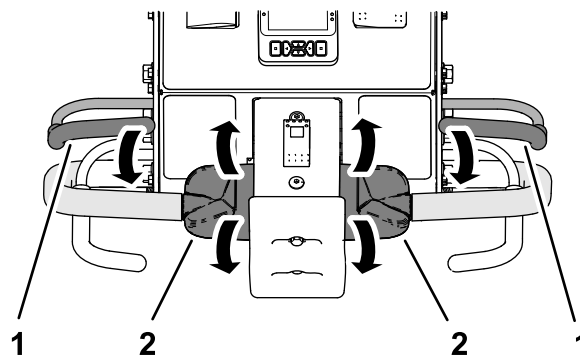


Figure 32

g510139

1. Operator-presence bail
2. Traction control

Testing the Operator Presence Interlock

1. Release the operator-presence bail, move the traction control to the NEUTRAL position, and start the engine.
2. Hold either operator-presence bail to the handlebar and rotate the top of the traction control forward (Figure 33).

Note: The machine drives forward.

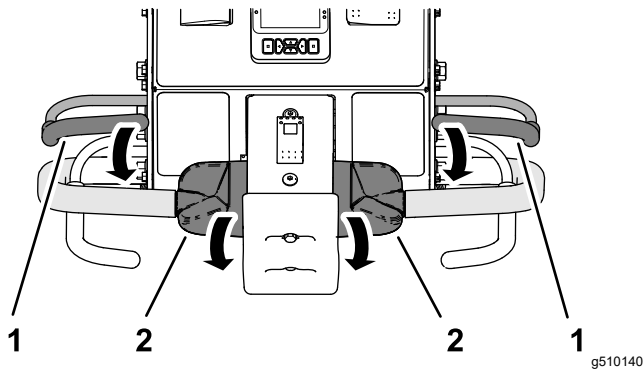


Figure 33

1. Operator-presence bail
2. Traction control

3. While holding the traction control, release the operator-presence bail (Figure 34).

Important: The machine must stop driving forward.

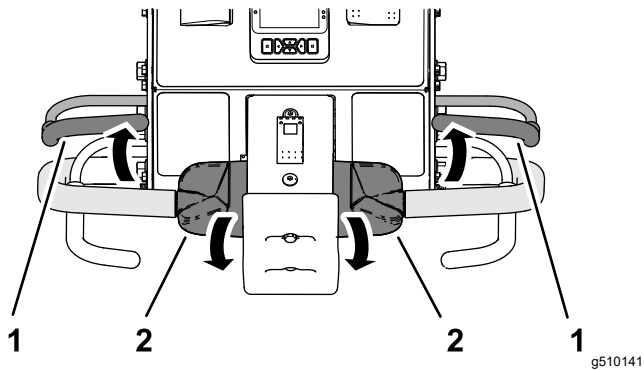


Figure 34

1. Operator-presence bail
2. Traction control

Testing the Bump-Stop Interlock

1. Hold either operator-presence bail to the handlebar and rotate the top of the traction control forward (Figure 35).

Note: The machine drives forward.

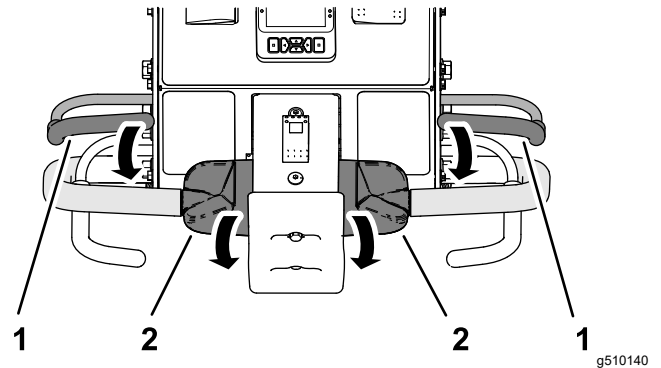


Figure 35

1. Operator-presence bail
2. Traction control

2. While holding the operator-presence bail and the traction control, contact the bump-stop switch (Figure 36).

Important: The machine must stop driving forward.

Note: The engine remains running.

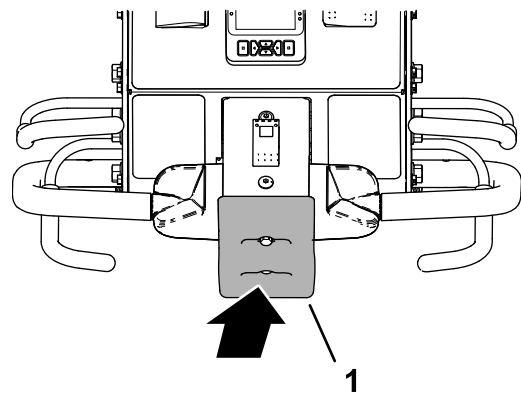


Figure 36

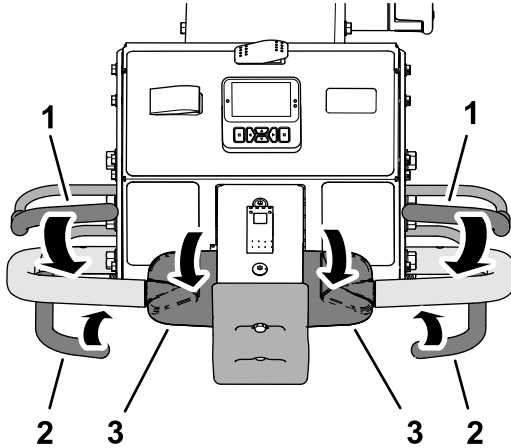
1. Bump-stop switch

3. Reset the bump-stop switch; refer to [Resetting the Bump-Stop Switch](#) (page 45).

Testing the Coring Head-Reverse Interlock

1. Perform 1 of the following:
 - Move the machine to a turf area where you can aerate without damaging the tines or the area.
 - Remove the tines.
2. Hold either operator-presence bail to the handlebar, rotate the top of the traction control forward, and close the aerate bail (Figure 37).

Note: The machine drives forward, coring head runs, and it lowers.



g510143

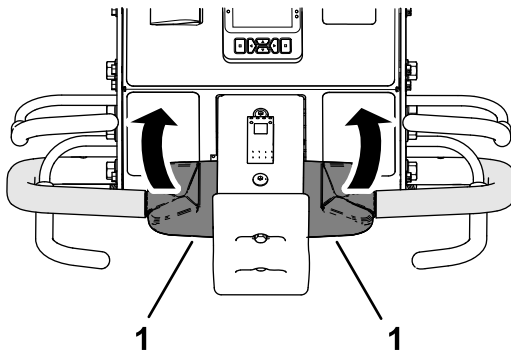
Figure 37

1. Operator-presence bail
2. Aerate bail
3. Traction control

3. While holding the operator-presence bail and aerate bail, rotate the top of the traction control backward (Figure 38).

Important: The coring head must raise and stop running.

Note: The engine remains running.



g510144

Figure 38

1. Traction control

4. Move the traction control to the NEUTRAL position.

5. If you removed the tines, install them and calibrate the tine ground height; refer to [Assembling the Tines to the Coring Head \(page 30\)](#) and [Calibrating the Tine Ground Height \(page 34\)](#).

Installing Turf Guards, Tine Holders, and Tines

Important: You must calibrate tine ground height each time you change from longer tines to shorter tines or from shorter tines to longer tines.

A wide selection of tine holders, turf guards, and tines are available for the machine. Choose the required components per the accessory chart in Attachments and Accessories.

Preparing the Machine

1. Raise the coring head and lock it in position with the service latch; refer to [Supporting the Coring Head with the Service Latch](#) (page 48).
2. Park the machine on a level surface, fully raise and latch the handlebar to engage the parking brake, shut off the engine, remove the key, and wait for all moving parts to stop.

Assembling the Turf Guards

Note: The factory ships turf guard clamps, washers, and flange locknuts secured to the turf guard brackets ([Figure 39](#)).

Loosely assemble the turf guards to the turf guard brackets with 4 turf-guard clamps and 12 flange locknuts (3/8 inch) and 12 washers (7/16 x 13/16 inch).

Note: Do not tighten the flange locknuts.

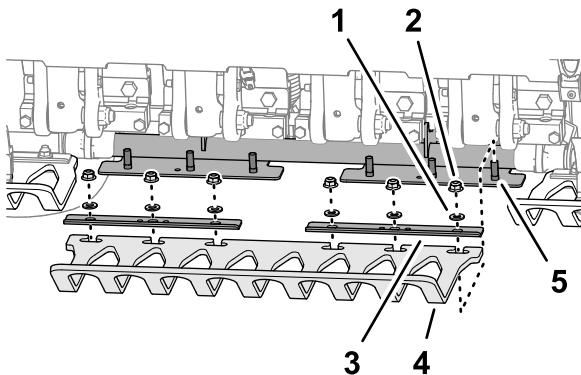


Figure 39

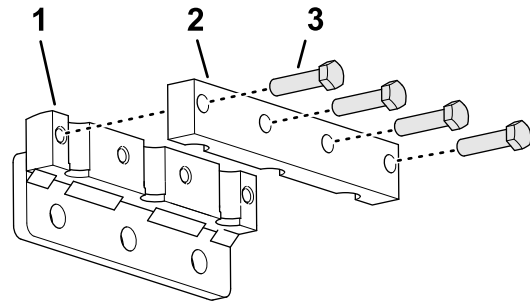
g357675

1. Washer (7/16 x 13/16 inch)
2. Flange locknut (3/8 inch)
3. Turf guard clamp
4. Turf guard
5. Stud (turf-guard bracket)

Assembling the Tine Holder

1. Loosely assemble the tine clamp to the tine holder ([Figure 40](#)) with 4 bolts (3/8 x 1-1/2 inches). Do not tighten the bolts.

Note: The bolts are parts in the tine holder kits.

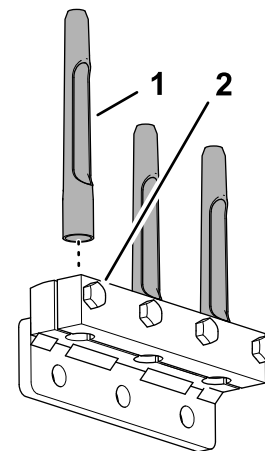


g356449

Figure 40

1. Tine holder
2. Tine clamp
3. Bolt (3/8 x 1-1/2 inches)

2. Assemble the tines into the tine holder and tine clamp ([Figure 41](#)).



g356451

Figure 41

1. Tine
2. Bolt (3/8 x 1-1/2 inches)
3. Torque the bolts (3/8 x 1-1/2 inches) securing the tine clamps and tines to 40.6 N·m (30 ft-lb).
4. Repeat steps 1 through 3 for the other tine clamps, tine holders, and tines.

Assembling the Tines to the Coring Head

- Loosely assemble tine holder and tines to tine arm #2 (Figure 42 and Figure 43) with 3 bolts (1/2 x 1-1/4 inches).

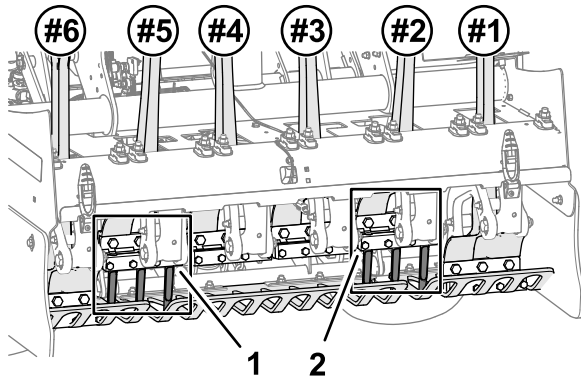


Figure 42

g357676

- Number 5 tine holder
- Number 2 tine holder

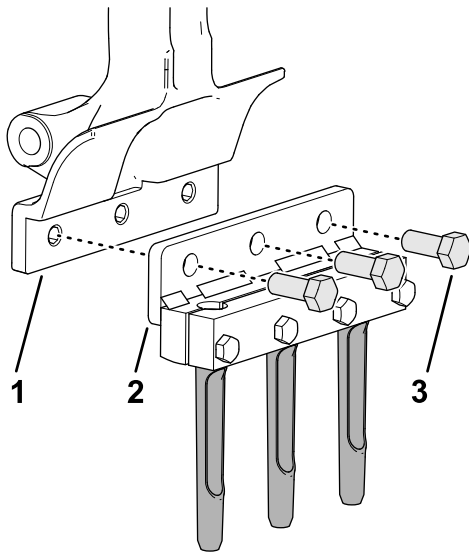


Figure 43

g356450

- Tine arm
- Tine holder
- Bolt (1/2 x 1-1/4 inches)

- Torque the bolts (1/2 x 1-1/4 inches) to 102 N·m (75 ft-lb).
- Repeat steps 1 and 2 for tine arm #5.
- Check the alignment of the turf guard slots to the tines to ensure that they are centered (Figure 44).

Note: Adjust the turf guards as required.

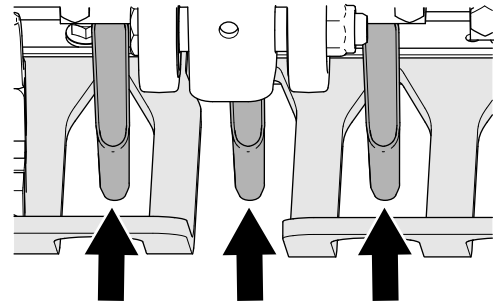


Figure 44

Gaps in the turf guards

g357677

- Torque the flange locknuts (3/8 inch) that secure the 3 turf-guard clamps and 3 turf guards to the 3 turf guard brackets.
- Install the remaining tine holder and tines to tine holders #1, #3, #4, and #6 with 12 bolts (1/2 x 1-1/4 inches).
- Torque the bolts (1/2 x 1-1/4 inches) to 102 N·m (75 ft-lb).
- Calibrate the machine for tine to ground height; refer to [Running the Teach Ground Height Application](#) (page 35).

Hole Depth, Hole Spacing, and Tine Settings

Accessing the Settings Screens

- Rotate the ignition key to the RUN position.
- If the arrows are not showing on the TRANSPORT mode screen or the AERATE mode screen, enter the PIN code to access protected menus; refer to [Accessing Protected Menus](#) (page 23).

Note: The TRANSPORT mode screen or the AERATE mode screen displays (Figure 45).

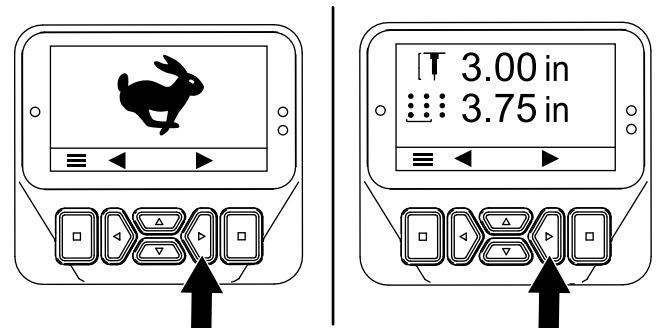


Figure 45

g510165

3. Press the right button twice to display the Calibrating the Tine Ground Height screen (Figure 46).

Note: Press the left button to display the TRANSPORT or the AERATE mode screen.

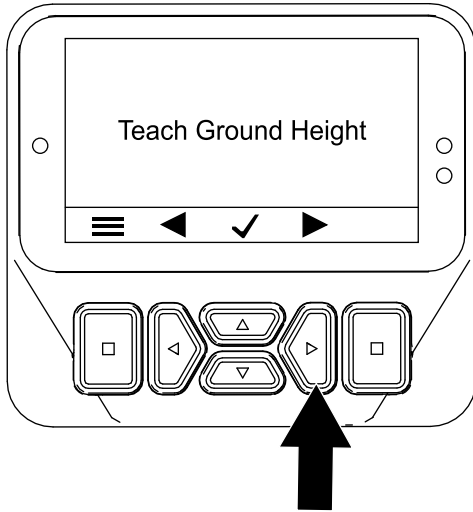


Figure 46

g510175

4. Press the right button to display the Setting the Hole Depth screen (Figure 47).

Note: Press the left button to display the Teach Ground Height screen.

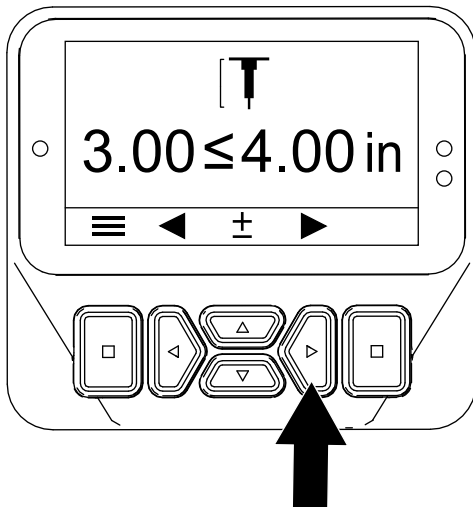


Figure 47

g510167

5. Press the right button to display the Setting the Hole Spacing screen (Figure 48).

Note: Press the left button to display the Setting the Hole Depth screen.

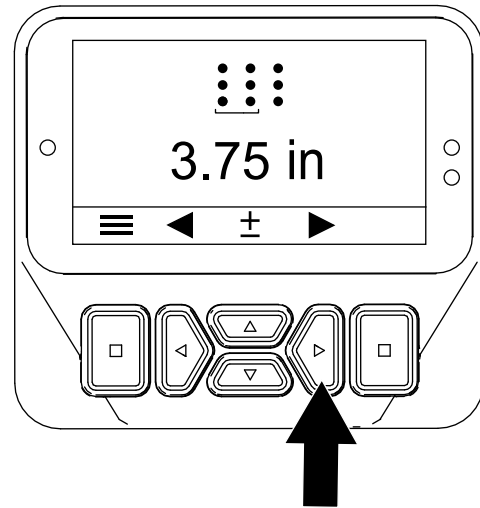


Figure 48

g510168

6. Press the right button to display the Setting the Tine Diameter screen (Figure 49).

Note: Press the left button to display the Setting the Hole Spacing screen.

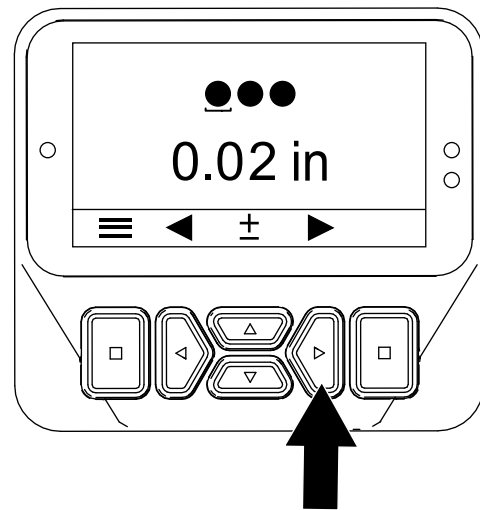


Figure 49

g510169

7. Press the right button to display the Setting the Tine Quantity screen (Figure 50).

Note: Press the left button to display the Setting the Tine Diameter screen.

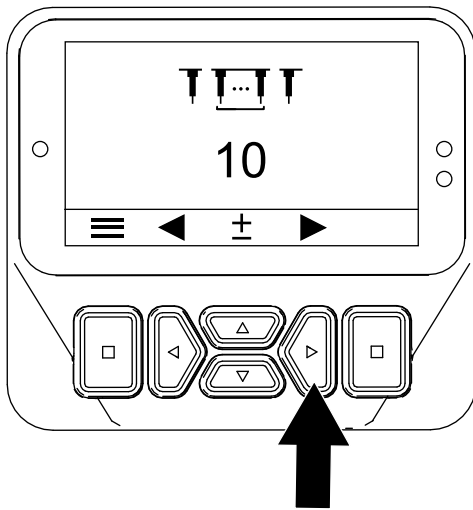


Figure 50

g510170

- Press the down button to decrease hole depth.
- Press the up button to increase hole depth.

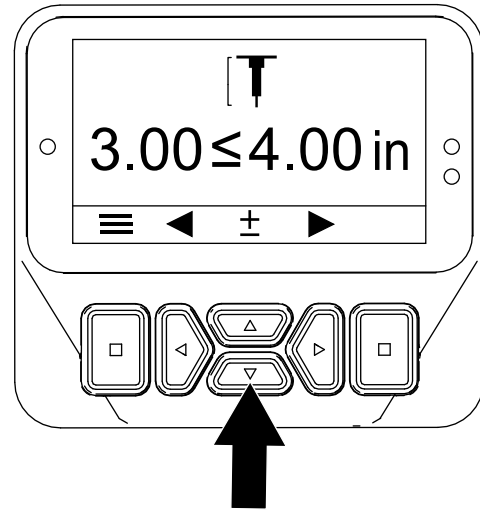


Figure 52

g510171

Setting the Hole Depth

1. Ensure that the coring head is raised; refer to [Raising the Coring Head \(page 26\)](#).
2. Rotate the ignition key to the RUN position.

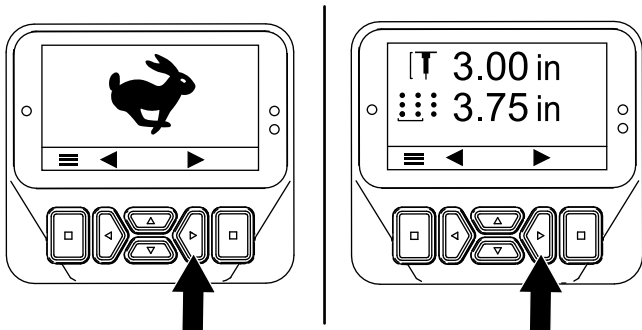


Figure 51

g510165

5. Press the left or right button to save your settings and exit the depth screen.
6. Rotate the ignition key to the OFF position.

3. Press the right button until the Setting the Hole Depth screen displays ([Figure 51](#) and [Figure 52](#)).
4. Adjust the tine depth using the up and down buttons ([Figure 52](#)) as follows:

Setting the Hole Spacing

Note: When you select a target hole spacing rate, the machine controls the ground speed to maintain the hole spacing distance.

1. Ensure that the coring head is raised; refer to [Raising the Coring Head \(page 26\)](#).
2. Rotate the ignition key to the RUN position.

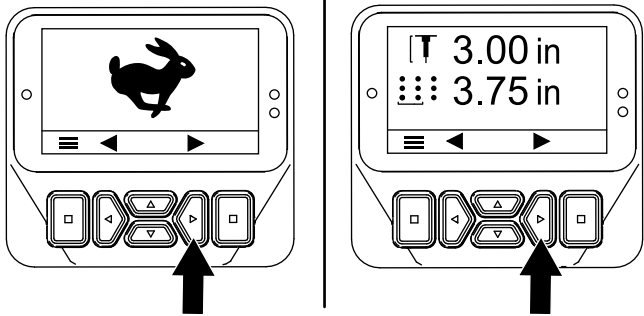


Figure 53

g510165

3. Press the right button until the Setting the Hole Spacing screen displays ([Figure 53](#) and [Figure 54](#)).
4. Adjust the hole spacing ([Figure 54](#)) as follows:
 - Press the down button to decrease hole spacing.
 - Press the up button to increase hole spacing.

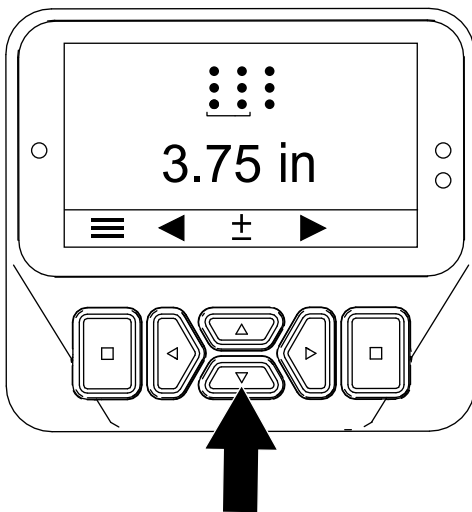


Figure 54

g510172

5. Press the left or right button to save your settings and exit the spacing screen.
6. Rotate the ignition key to the OFF position.

Setting Tine Diameter

1. Ensure that the coring head is raised; refer to [Raising the Coring Head \(page 26\)](#).
2. Rotate the ignition key to the RUN position.

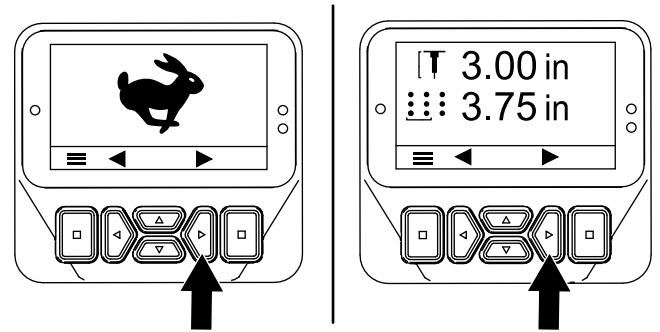


Figure 55

g510165

3. Press the right button until the Setting the Tine Diameter screen displays ([Figure 55](#) and [Figure 56](#)).
4. Adjust the tine diameter using the up and down buttons ([Figure 56](#)) as follows:
 - Press the up button to increase the tine diameter.
 - Press the down button to decrease the tine diameter.

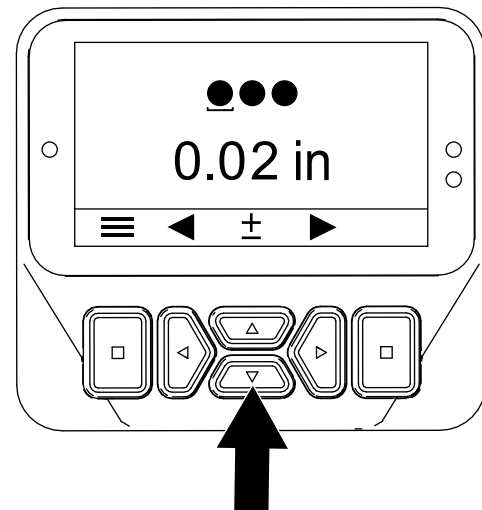


Figure 56

g510173

5. Press the left or right button to save your settings and exit the diameter screen.
6. Rotate the ignition key to the OFF position.

Setting the Tines Quantity

1. Ensure that the coring head is raised; refer to [Raising the Coring Head \(page 26\)](#).
2. Rotate the ignition key to the RUN position.

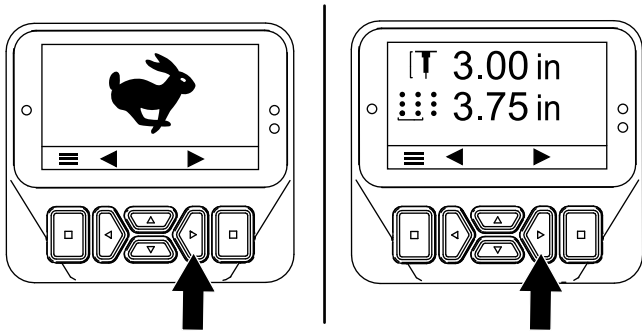


Figure 57

g510165

3. Press the right button until the Setting the Tine Quantity screen displays (Figure 58).
4. Adjust the tine quantity using the up and down buttons (Figure 58) as follows:

Important: The tine quantity is the number of tines for 1 holder.

- Press the up button to increase tine quantity.
- Press the down button to decrease tine quantity.

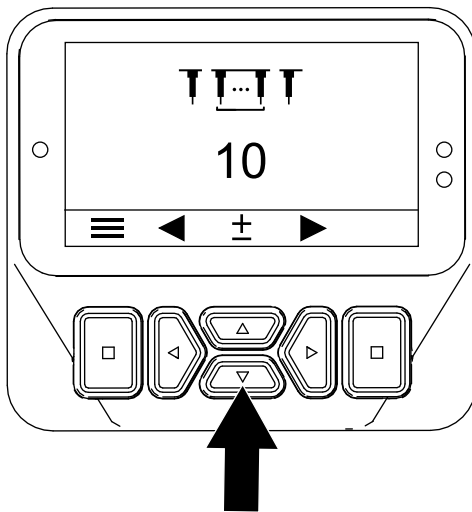


Figure 58

g510174

5. Press the left or right button to save your setting and exit the tine quantity screen.
6. Rotate the ignition key to the OFF position.

Calibrating the Tine Ground Height

Service Interval: Before each use or daily

Important: Calibrate the tine ground height each time you change tines or replace worn tines.

Preparing the Machine

1. Ensure that the coring head is raised.
2. Park the machine on a level surface, fully raise and latch the handlebar to engage the parking brake, shut off the engine, remove the key, and wait for all moving parts to stop.
3. Remove the coring-head cover; refer to [Removing the Coring-Head Cover \(page 67\)](#).
4. Rotate coring-head pulley (Figure 59) until the outermost tines are aligned closest to the ground (Figure 60).

Important: Keep your fingers away of the area where the belt merges and departs the pulley so that you do not pinch your fingers.

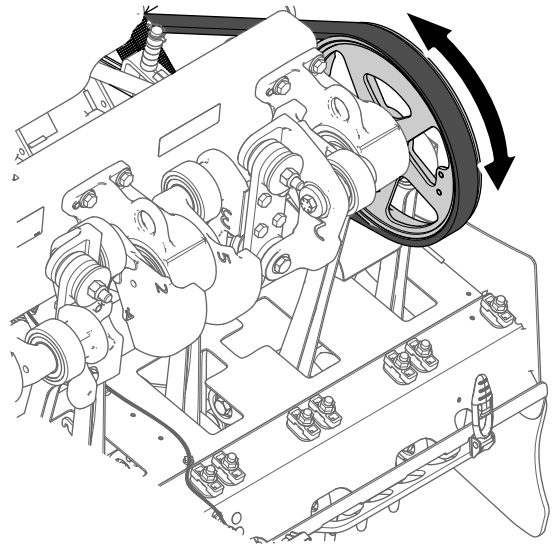


Figure 59

g343368

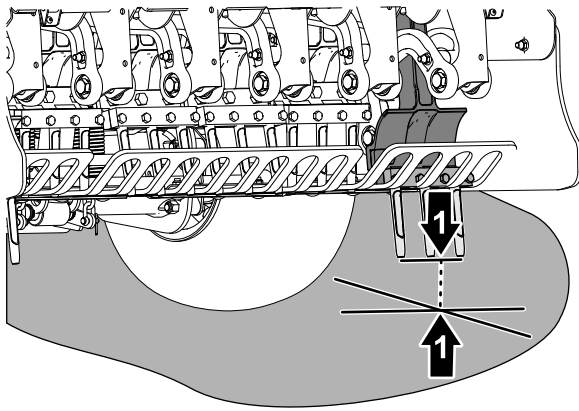


Figure 60

g343367

1. Outermost tines (closest to the ground)

5. Install the coring-head cover; refer to [Installing the Coring-Head Cover](#) (page 59).

Running the Teach Ground Height Application

1. Rotate the ignition key to the RUN position.

Note: The TRANSPORT mode screen or the AERATE mode screen displays (Figure 61).

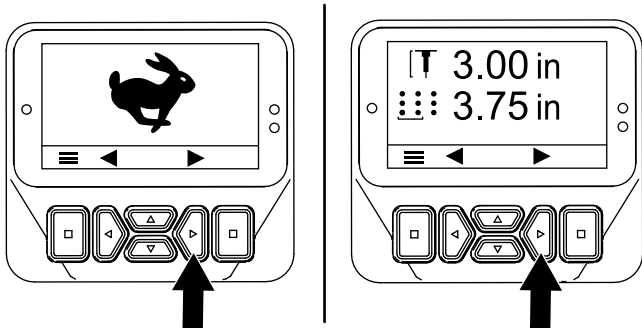


Figure 61

g510165

2. Move the handlebar so that you can see the outermost tines you positioned in [Preparing the Machine](#) (page 34).
3. Press the right button until the TEACH GROUND HEIGHT wizard displays.
4. On the Teach Ground Height screen (Figure 62), then press either center button.

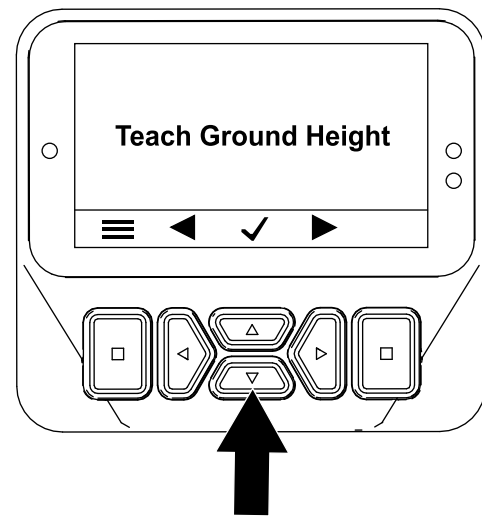


Figure 62

g510166

5. On the PRESS OK TO START TEACH screen (Figure 63), press the select button.

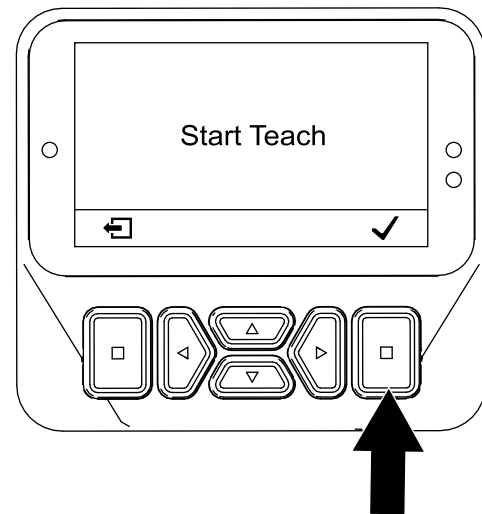


Figure 63

g510176

Note: The CALIBRATION ENGAGED message displays, and the coring head slowly lowers.

Important: Keep your hand near the InfoCenter.

Note: The coring head lowers slower if the hydraulic fluid is cold.

6. When any tine touches the ground, press the select button on the Lowering Head screen (Figure 64).

Note: Tines should only touch the ground, and not lift or unload the weight from the tires.

If the coring head lifts the machine, the machine incorrectly calibrates the ground height, resulting in inaccurate hole depth and entry tufting of the aeration hole.

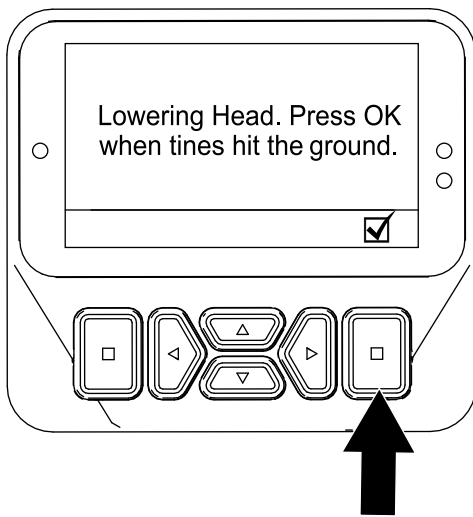


Figure 64

g510177

Note: the CALIBRATION COMPLETE message displays, and the head fully raises.

7. Press the back button to exit the Teach Ground Height application.

During Operation

During Operation Safety

- The owner/operator can prevent and is responsible for accidents that may cause personal injury or property damage.
- Wear appropriate clothing, including eye protection; long pants; substantial, slip-resistant footwear; and hearing protection. Tie back long hair, secure loose clothing, and do not wear loose jewelry.
- Do not operate the machine when tired, ill, or under the influence of alcohol or drugs.
- Keep bystanders, children, and pets out of the operating area. Do not allow children to operate the machine. Allow only people who are responsible, trained, familiar with the instructions, and physically capable to operate the machine.
- Never carry passengers on the machine.
- Operate the machine only in good visibility to avoid holes or hidden hazards.
- Keep your hands and feet away from the tines.
- Look behind and down before backing up to be sure of a clear path.
- Stop the machine, shut off the engine, remove the key, wait for all moving parts to stop, and inspect the tines after striking an object or if there is an abnormal vibration in the machine. Make all necessary repairs before resuming operation.
- Always maintain proper tire pressure.
- Reduce traction speed on rough roads and surfaces.

Slope Safety

- Slopes are a major factor related to loss of control and rollover accidents, which can result in severe injury or death. You are responsible for safe slope operation. Operating the machine on any slope requires extra caution.
- Evaluate the site conditions to determine if the slope is safe for machine operation, including surveying the site. Always use common sense and good judgment when performing this survey.
- Review the slope instructions listed below for operating the machine on slopes and review the conditions to determine whether you can operate the machine in the conditions on that day and at that site. Changes in the terrain can result in a change in slope operation for the machine.
- Avoid starting, stopping, or turning the machine on slopes. Avoid making sudden changes in speed or direction. Make turns slowly and gradually.
- Do not operate a machine under any conditions where traction, steering, or stability is in question.
- Remove or mark obstructions such as ditches, holes, ruts, bumps, rocks, or other hidden hazards. Tall grass can hide obstructions. Uneven terrain could overturn the machine.
- Be aware that operating the machine on wet grass, across slopes, or downhill may cause the machine to lose traction. Loss of traction to the drive wheels may result in sliding and a loss of braking and steering.
- Use extreme caution when operating the machine near drop-offs, ditches, embankments, water hazards, or other hazards. The machine could suddenly roll over if a wheel goes over the edge or the edge caves in. Establish a safety area between the machine and any hazard.

Engaging the Parking Brake

1. Fully raise the handlebar to engage the parking brake (Figure 65).

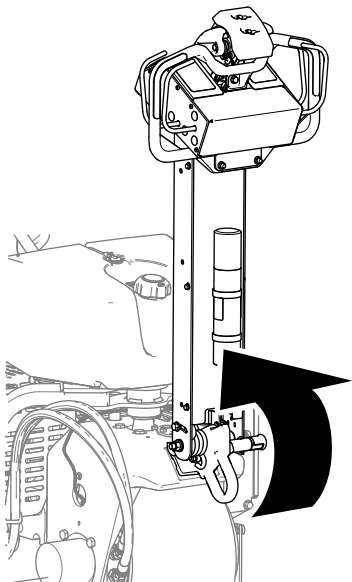


Figure 65

g339612

2. Ensure that the handlebar-latch pin extends through the hole in the detent plate (Figure 66).

⚠ WARNING

If the parking brake does not engage, the machine may move injuring you or bystanders.

Ensure that the handlebar is fully raised and securely latches to the detent plate.

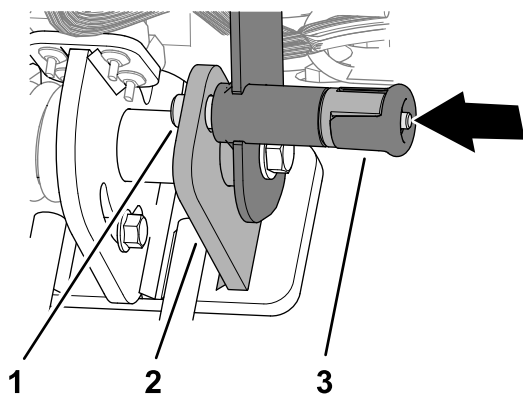


Figure 66

g342477

1. Handlebar-latch pin
2. Detent plate
3. Handlebar-latch knob

Releasing the Parking Brake

1. Pull the knob for the handlebar latch (Figure 67).

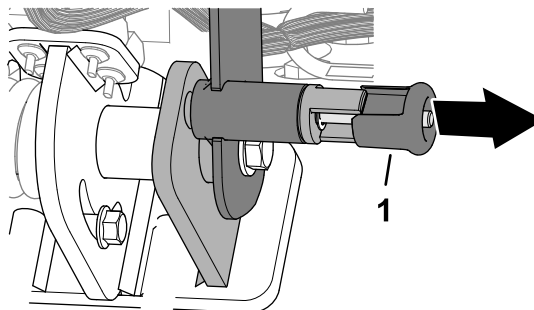


Figure 67

g342478

1. Handlebar-latch knob

Important: Do not rotate the knob so that the latch pin cannot retract (Figure 68).

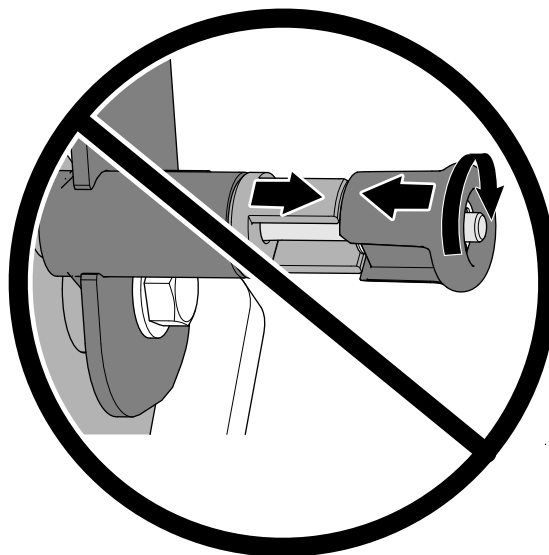


Figure 68

g342479

2. Lower the handlebar to release the parking brake (Figure 69).

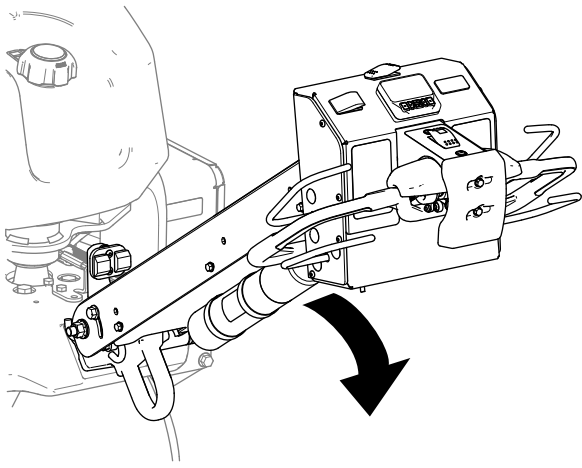


Figure 69

g510117

3. Release the handlebar-latch knob.

Starting the Engine

1. Fully raise and latch the handlebar engage the parking brake; refer to [Engaging the Parking Brake \(page 38\)](#).
2. Use the choke ([Figure 70](#)) as follows:
 - Before starting a cold engine, move the choke control to the ON position.
 - When starting a warm or hot engine, you may not need to use the choke.

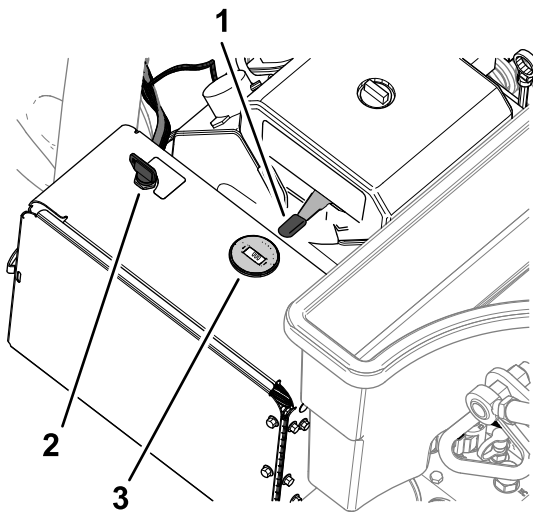


Figure 70

g510239

- | | |
|--------------------------|---------------|
| 1. Key (ignition switch) | 3. Choke |
| 2. Throttle lever | 4. Tachometer |

3. Move the throttle lever to the FAST position before starting a cold engine.
4. Turn the ignition key to the START position. When the engine starts, release the key.

Important: Do not engage the starter for more than 10 seconds at a time. If the engine fails to start, allow a 30-second cool-down period between attempts. Failure to follow these instructions can burn out the starter motor.

5. After the engine starts, move the choke toward the OFF position. If the engine runs rough or stalls, move the choke back toward the ON position for a few seconds. Then move the throttle lever to desired engine speed.

Note: Repeat this step as required.

Shutting Off the Engine

⚠ CAUTION

Children or bystanders may be injured if they move or attempt to operate the machine while it is unattended.

Always fully raise and latch the handlebar to engage the parking brake, shut off the engine, and remove the key when leaving the machine unattended, even if just for a few minutes.

1. Fully raise and latch the handlebar to engage the parking brake; refer to [Engaging the Parking Brake \(page 38\)](#).
2. Move the throttle lever ([Figure 71](#)) to the SLOW position.

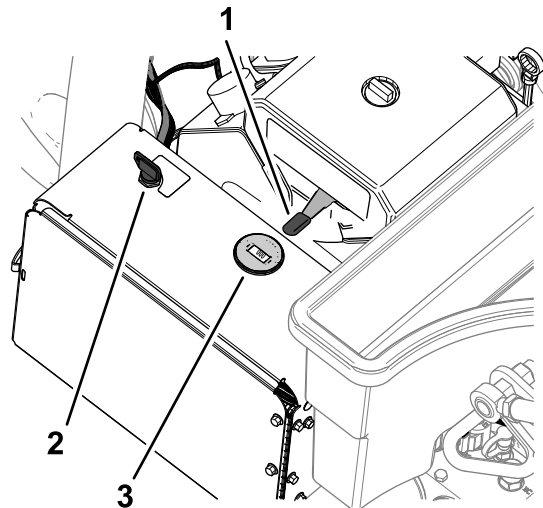


Figure 71

g510239

- | | |
|--------------------------|---------------|
| 1. Key (ignition switch) | 3. Choke |
| 2. Throttle lever | 4. Tachometer |

3. Let the engine idle for 60 seconds.
4. Turn the ignition key to the OFF position and remove the key.

- If you are hauling or storing the machine, close the fuel-shutoff valve (Figure 72).

Important: Close the fuel-shutoff valve before hauling the machine on a trailer or storing the machine. Fully raise and latch the handlebar to engage the parking brake before hauling the machine. Remove the key from the ignition switch to prevent the fuel pump from running and causing the battery to discharge.

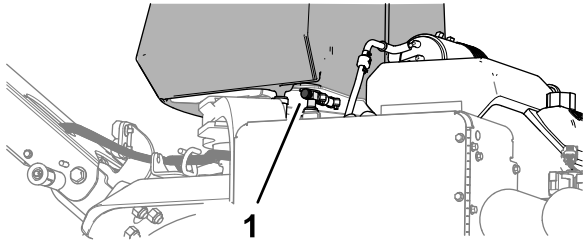


Figure 72

g338576

- Fuel-shutoff valve

Using the Machine

Important: Walk in front of the machine in a forward direction while operating it, do not walk and face rearward when operating the machine.

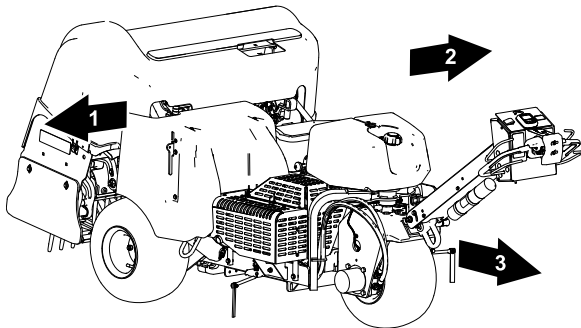


Figure 73

g339572

- Right side
- Left side
- Forward (operating direction)

Speed Lock

Speed Lock in the Transport Mode

Using the Speed Lock allows you to drive the machine without having to hold the traction control.

Note: You cannot use the speed lock feature while driving the machine backward.

Speed Lock in the Aerate Mode

Using the speed lock while aerating allows you to continue driving the machine at the selected hole-spacing speed at the end of an aeration pass, turn the machine around, and begin the next aeration pass without changing the traction control position.

Note: The speed lock feature in the aerate mode is active when the coring head is set for delay-drop mode; the speed lock feature is locked-out in the immediate-drop mode.

Using the Ground-Speed Lock Transport Mode

The ground-speed lock operates like automotive cruise control.

- Press the transport/aerate switch to the TRANSPORT position (Figure 74).

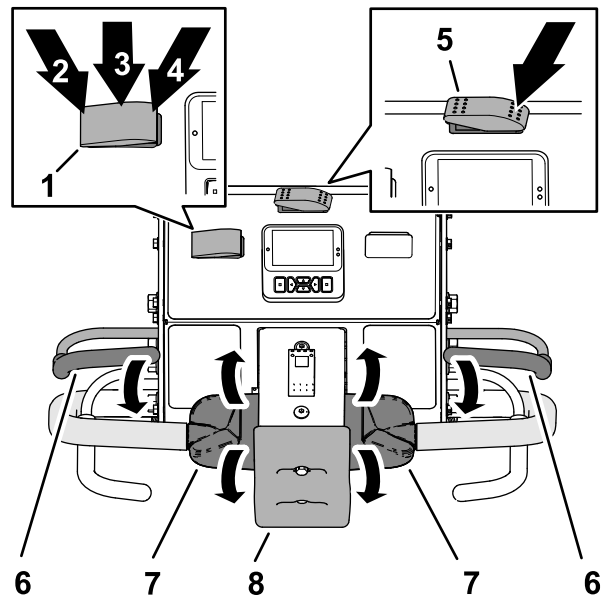


Figure 74

g510179

- | | |
|----------------------------------------|---------------------------------------------------|
| 1. Speed-lock switch | 5. Transport/aeration switch (TRANSPORT position) |
| 2. ENGAGE position (speed-lock switch) | 6. Operator presence bail |
| 3. ON position (speed-lock switch) | 7. Traction control |
| 4. OFF position (speed-lock switch) | 8. Bump-stop switch |

- Press the speed-lock switch to the ON position.
- Drive the machine forward at the desired ground speed.
- Press the speed-lock switch to the ENGAGE position.

Note: The ground-speed lock maintains the current ground speed at which the machine is driving. You can release the traction control.

5. To disengage the speed lock operation, perform one of the following:
 - Press the speed-lock switch to the OFF position.
 - Rotate the top of the traction control rearward to drive the machine backward.
 - Release the operator presence bail.
 - Press the bump-stop switch.

Using the Ground-Speed Lock

Aerate Mode

Note: The ground-speed lock is not available when aerating in the immediate-drop mode.

1. Press the transport/aerate switch is in the AERATE position (Figure 75).

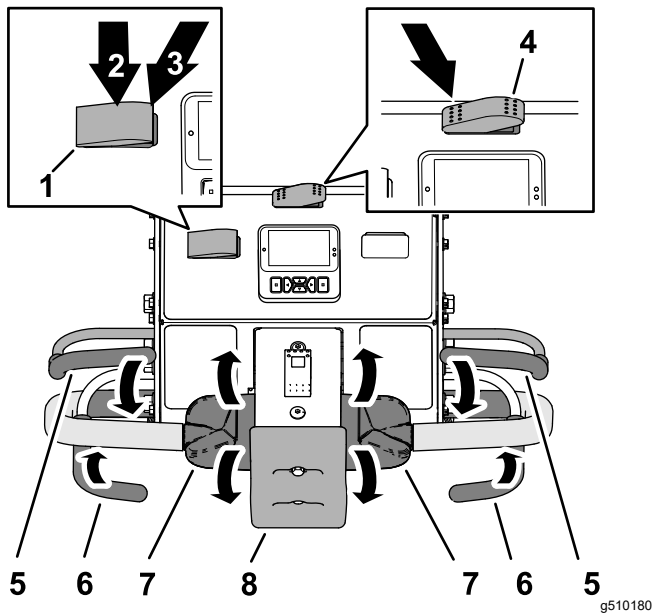


Figure 75

- | | |
|------------------------------------------------|---------------------------|
| 1. Speed-lock switch | 5. Operator presence bail |
| 2. ON position (speed-lock switch) | 6. Aerate bail |
| 3. OFF position (speed-lock switch) | 7. Traction control |
| 4. Transport/aeration switch (AERATE position) | 8. Bump-stop switch |

2. Press the speed-lock switch to the ON position.
3. Drive the machine forward and close the aerate bail.

Note: The ground-speed lock engages, and the coring head lowers.

4. At the end of the aeration pass, release the aerate bail.

Note: The coring head raises, but the machine maintains ground speed at the aeration hole spacing rate.

5. To disengage the speed lock operation, perform one of the following:

- Press the speed-lock switch to the OFF position.
- Rotate the top of the traction control rearward to drive the machine backward.
- Release the operator presence bail.
- Press the bump-stop switch.

Driving the Machine in the Transport Mode

Note: Use the transport mode when you move the machine between job sites.

Note: The machine drives at a reduced variable speed anytime the transport/aeration switch is in the AERATION position.

1. Start the engine, and move the throttle control to the FAST position; refer to [Starting the Engine](#) (page 39).
2. Lower the handlebar to release the parking brake; refer to [Releasing the Parking Brake](#) (page 38).
3. Press the left side of the transport/aeration switch to the TRANSPORT position (Figure 76).

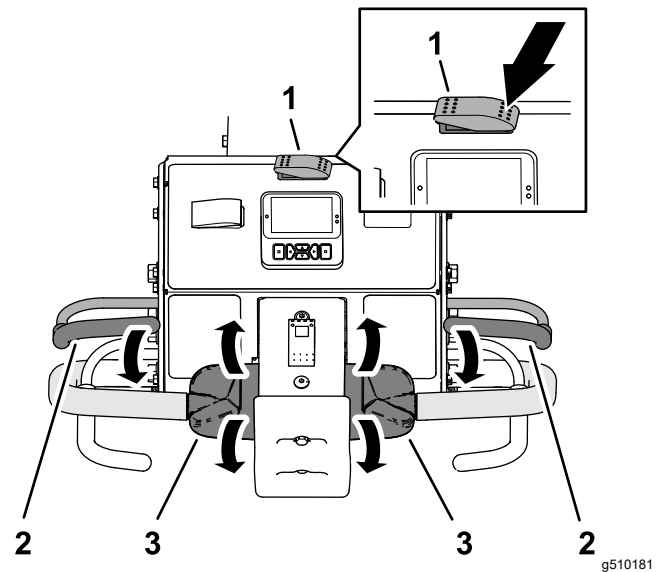


Figure 76

- | | |
|---------------------------------------------------|---------------------|
| 1. Transport/aeration switch (TRANSPORT position) | 3. Traction control |
| 2. Operator-presence bail | |

Note: The InfoCenter displays the TRANSPORT icon (Figure 77).

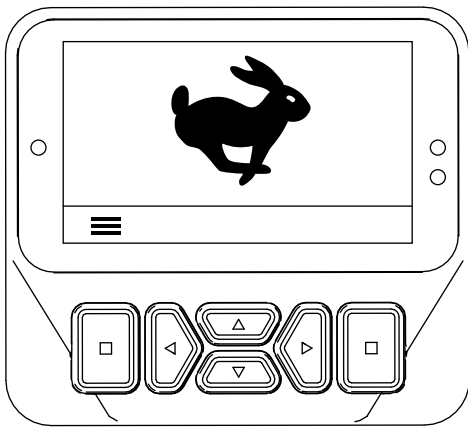


Figure 77

g510182

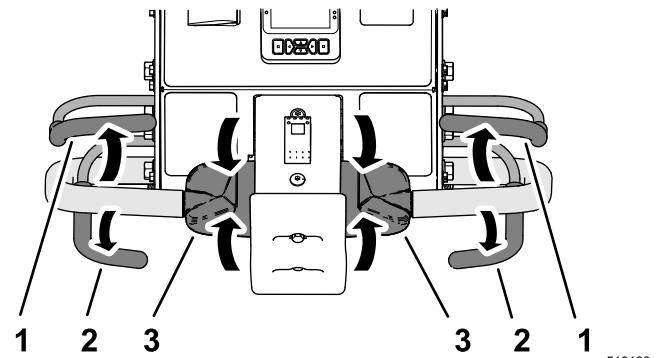


Figure 79

g510183

1. Operator-presence bail
2. Aerate bail
3. Traction control

4. Look in the direction of your planned path to ensure that it is clear.
5. Grasp the left or right handlebar and the operator-presence bail (Figure 76), and squeeze the bail to the handle.
6. With you thumb, rotate the left or right traction control to drive the machine as follows:
 - Rotate the top of the traction control forward to drive the machine forward.
 - Rotate the top of the traction control rearward to drive the machine backward.

Note: Further rotating the traction control increases the groundspeed of the machine.

2. Release the traction control, and allow it to move to the NEUTRAL position.
3. Release the operator-presence bail.
4. Fully raise and latch the handlebar to engage the parking brake; refer to [Engaging the Parking Brake \(page 38\)](#).

Driving the Machine in the Aerating Mode

Note: The machine drives at a reduced variable speed anytime the coring head is raised.

1. Start the engine, and move the throttle control to the FAST position; refer to [Starting the Engine \(page 39\)](#).
2. Lower the handlebar to release the parking brake; refer to [Releasing the Parking Brake \(page 38\)](#).
3. Press the right side of the transport/aeration switch to the AERATE position (Figure 80).

Stopping the Machine

Important: To immediately stop the machine press the bump-stop switch (Figure 78).

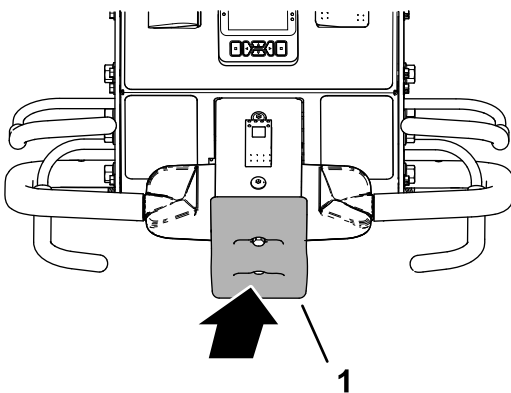


Figure 78

g510142

1. Bump-stop switch

1. If you are aerating, release the aerate bail (Figure 79) to raise the coring head; refer to [Raising the Coring Head \(page 45\)](#).

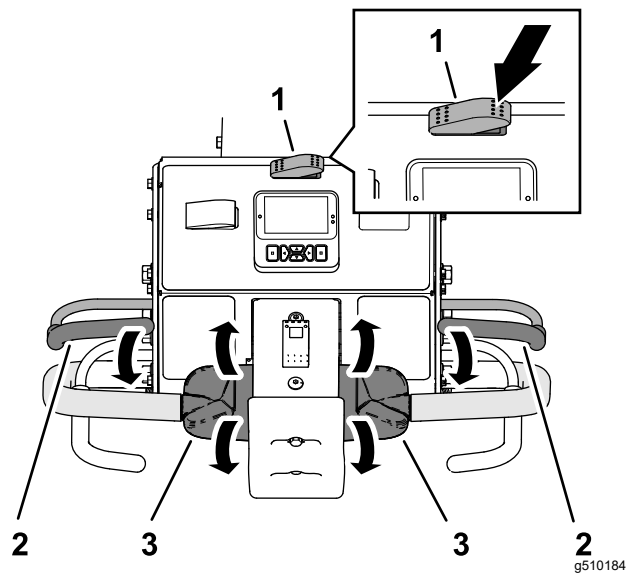


Figure 80

1. Transport/aeration switch 3. Traction control (AERATION position)
2. Operator-presence bail

The InfoCenter displays the current hole depth and hole spacing (Figure 81).

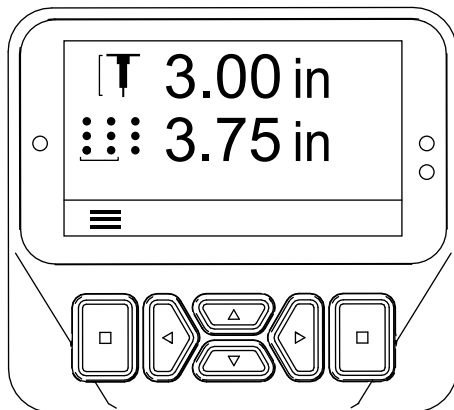


Figure 81

4. Look in the direction of your planned path to ensure that it is clear.
5. Grasp the left or right handlebar and the operator-presence bail (Figure 80), and squeeze the bail to the handle.
6. With you thumb, rotate the top of the left or right traction control to drive the machine forward.

Note: During aeration the machine drives at a speed to meet what you selected for target hole spacing.

- When using the ground-speed lock, releasing the aerate bail without changing the traction control position causes the machine to maintain ground speed, like cruise control of an automobile.

- Driving the machine in reverse direction disengages the cruise control effect, and causes the machine to drive at variable-ground speed.
- When you raise the head to turn the machine around for another pass, you can increase ground speed by moving the traction control farther forward. When you return the traction control to the NEUTRAL position, the machine slows to the required ground speed for aeration hole spacing.

Aerating Using the Delay-Drop Mode

Use the front tire to sight the drop point when aerating in delay-drop mode.

1. Press the top of the drop-control switch (Figure 82) to the DROP-DELAY position.

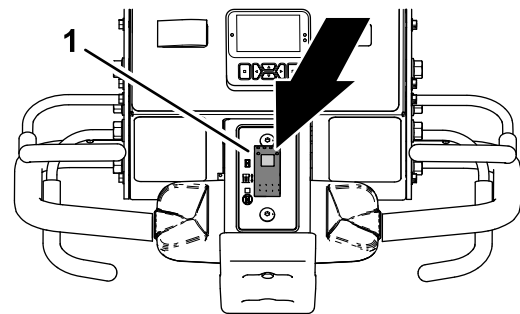


Figure 82

1. Drop-control switch

2. Drive the machine in the forward direction; refer to [Driving the Machine in the Aerating Mode](#) (page 42).
3. As the front tire rolls over the perimeter of aeration area, close either the left or right the aerate bail (Figure 83).

Note: The coring head runs and lowers as the machine moves forward crossing the target aeration area.

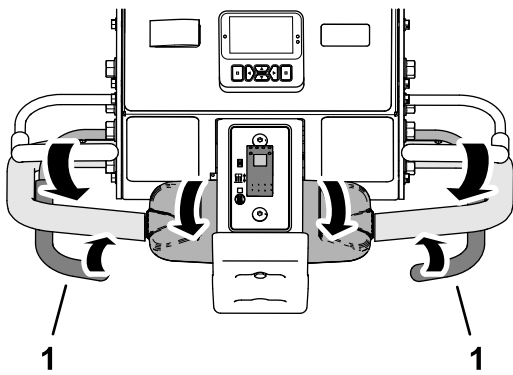


Figure 83

g510187

1. Aerate bail

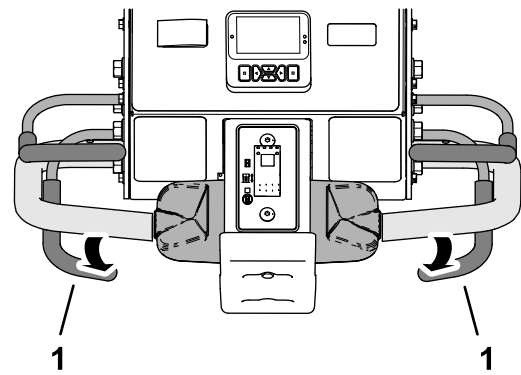


Figure 85

g510188

1. Aerate bail

Raising the Coring Head

Delay-Drop Mode

Use the front tire (Figure 84) to sight the raise point when in delay-drop mode.

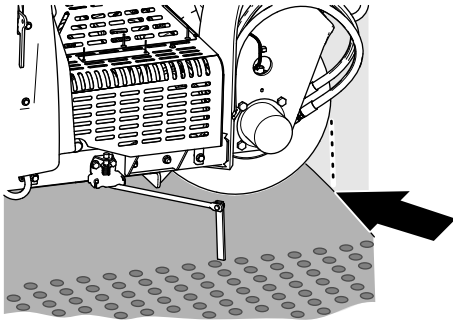


Figure 84

g426485

To raise the core head, perform 1 of the following:

- As the front tire rolls over the perimeter of aeration area, release the aerate bail (Figure 85).

Note: The machine delays lifting the coring head until the coring head reaches the targeted spot you identified using the front tire and released the aerate bail.

- Drive the machine in the reverse direction; refer to [Driving the Machine in the Reverse Direction](#) (page 45).

Aerating Using the Immediate-Drop Mode

1. Press the bottom of the drop-control switch (Figure 86) to the IMMEDIATE-DROP position.

Note: The light in the switch illuminates.

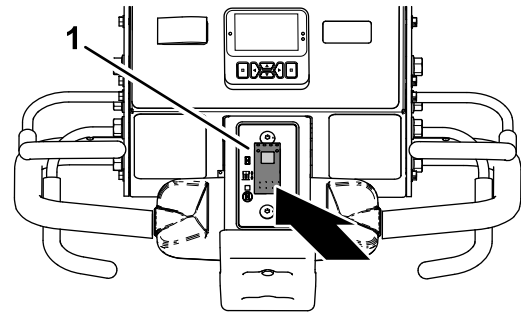


Figure 86

g510189

1. Drop-control switch
2. Drive the machine in the forward direction; refer to [Driving the Machine in the Aerating Mode](#) (page 42).
3. Close either the left or right the aerate bail (Figure 87).

Note: The coring head immediately lowers and begins aerating.

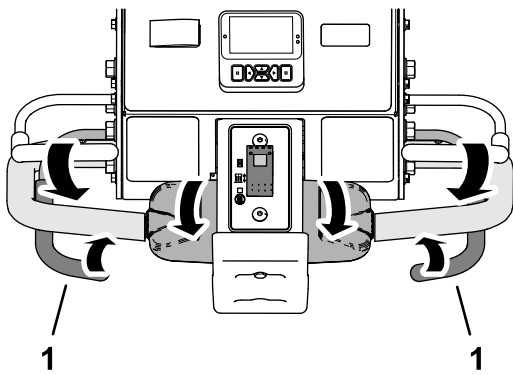


Figure 87

g510187

1. Aerate bail

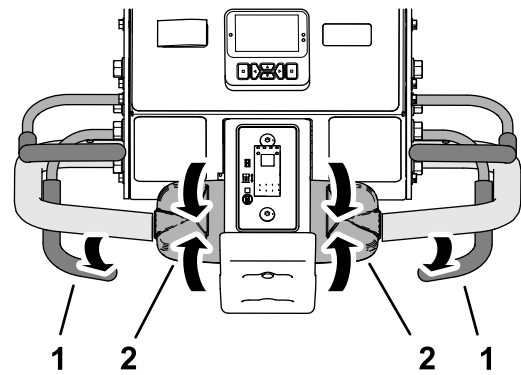


Figure 89

g510190

1. Aerate bail
2. Traction control

Raising the Coring Head

Immediate-Drop Mode

To raise the core head, perform 1 of the following:

- Release the aerate bail (Figure 88).

Note: The machine lifts the coring head immediately.

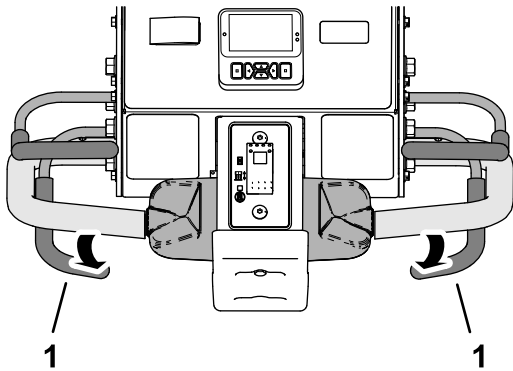


Figure 88

g510188

1. Aerate bail

- Drive the machine in the reverse direction; refer to [Driving the Machine in the Reverse Direction](#) (page 45).

Driving the Machine in the Reverse Direction

1. If you lowered the coring head, release the aerate bail (Figure 89).

2. Release the traction control and allow it to move to the NEUTRAL position.
3. While holding the operator-presence bail to the handlebar, slowly rotate the top of the traction control rearward (Figure 90).

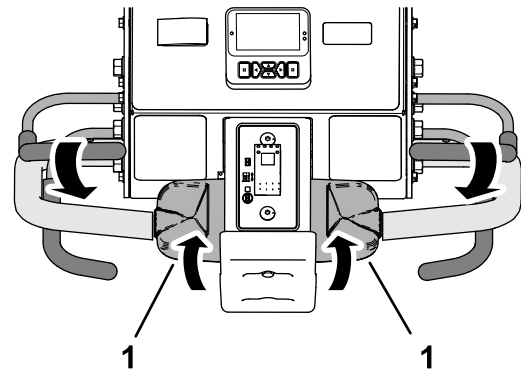


Figure 90

g510191

1. Traction control

Resetting the Bump-Stop Switch

1. Release the traction control and allow it to move to the NEUTRAL position, and release the operator-presence bail (Figure 91).

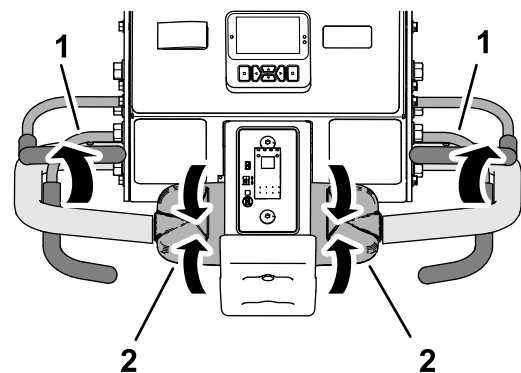


Figure 91

g510192

1. Operator-presence bail
2. Traction control

2. Move away from the bump-stop switch ([Figure 92](#)).

Note: A spring in the bump-stop switch resets the switch.

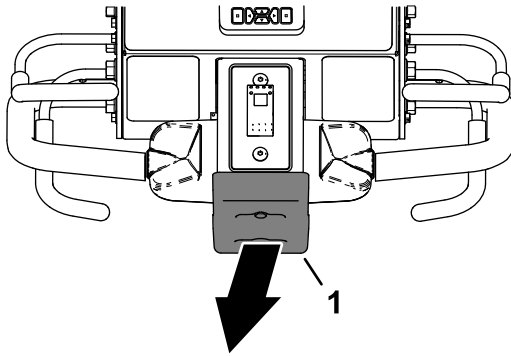


Figure 92

g510193

1. Bump-stop switch

3. Grasp the left or right handlebar and the operator-presence bail ([Figure 93](#)), and squeeze the bail to the handle.

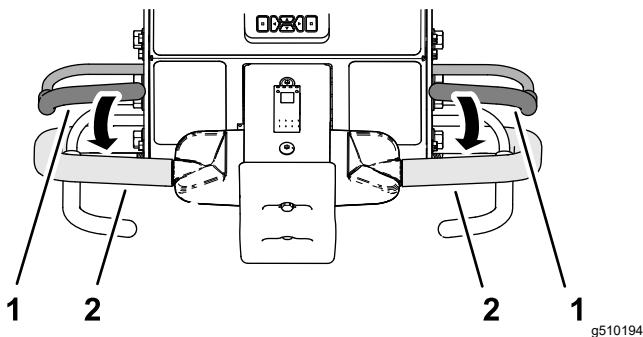


Figure 93

g510194

1. Operator-presence bail
2. Handlebar

4. Drive the machine, refer to [Driving the Machine in the Transport Mode](#) (page 41) or [Driving the Machine in the Aerating Mode](#) (page 42).

Using the Line Marker

Use the line marker to align aeration rows ([Figure 94](#)).

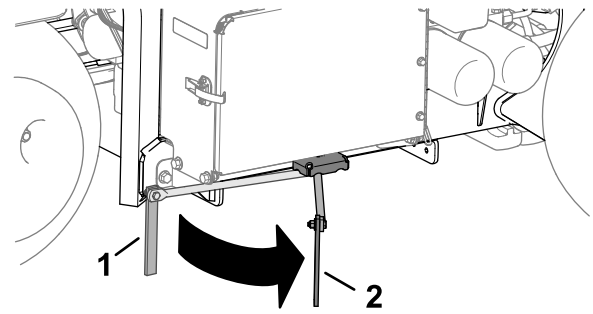


Figure 94

g358311

1. Line marker (storage position)
2. Line marker (alignment position)

Using Aerator Statistics for Estimating Topdressing

The machine uses 2 counters to log the area aerated and the displaced soil-core volume. Use the information from these counters to estimate the amount of top dressing to apply to the aerated turf area(s).

- The Area 1 counter is not PIN code protected, and is intended to be reset by the machine operator.

Note: If the operator records the Area 1 counter for each aeration site, you can estimate the amount of topsoil and delivery requirements for each site.

- The Area 2 counter is PIN code protected, and is intended to be reset by the supervisor or their delegate.
- The area aerated displays in m² (SI) or ft² (English) units of measure.
- The displaced-coring volume displays as m³ (SI) or yd³ (English) units of measure.
- When viewing the displaced-coring volume counters, the machine calculates the volume using the tine diameter and the tine quantity that you entered in the InfoCenter.

Important: If the tine diameter and/or the tine quantity value(s) are incorrect before aerating the site, the InfoCenter will calculate and display incorrect core volume values for Area 1 and Area 2. If the diameter and/or quantity values are changed after aerating, the InfoCenter will change the displayed volume values.

Accessing the Area and Volume Counters

1. Park the machine on a level surface.
2. Ensure that the engine is running or the ignition key in the RUN position.
3. In the InfoCenter, navigate to the MAIN MENU.
4. Press the down button until the SERVICE option is selected, then press the select button (Figure 95).

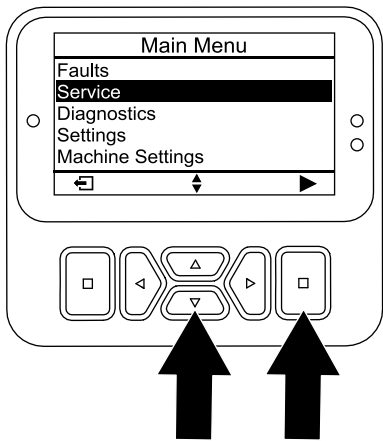


Figure 95

g510196

5. In the SERVICE screen, press the down button until the STATISTICS option is selected, then press the select button (Figure 96).

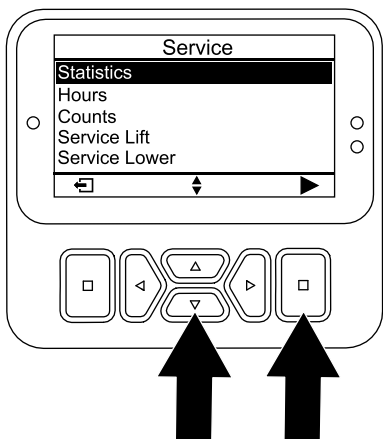


Figure 96

g510197

Note: An AREA counter displays in the STATISTICS screen.

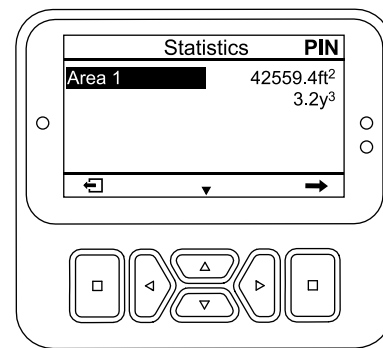


Figure 97

g512426

Using the Area 1—Area and Volume Counters

Machine Operator

1. In the STATISTICS screen, press the down button until the AREA 1 option is selected (Figure 98).

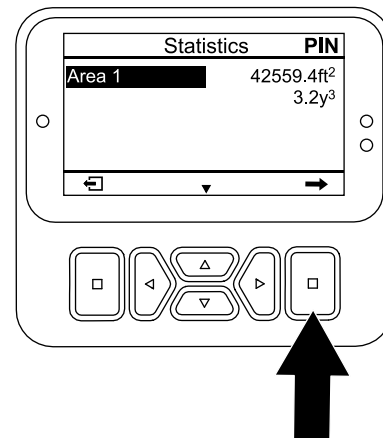


Figure 98

g512750

2. Record the aeration area and soil-core volume in a worksheet; refer to the example that follows.

Example Aeration Worksheet

Date	Course (if multiple)	Location	Aeration Area	Core Volume

3. Press the select button to display to the reset area and volume screen.
4. In the RESET AREA AND VOLUME SCREEN, press the select button.

Note: The InfoCenter displays the statistic screen, and the area and volume counters reset to 0.

Note: If you do not reset the Area 1 counter, the area and volume counters continue to accumulate data.

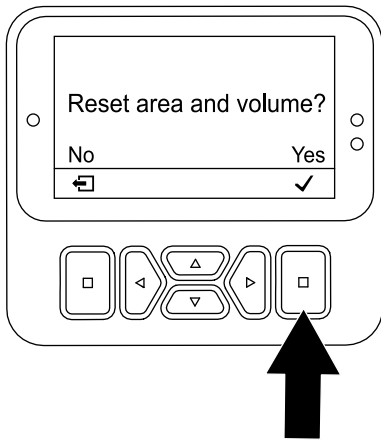


Figure 99

g510199

- In the RESET AREA AND VOLUME SCREEN, press the select button (Figure 101).

Note: The InfoCenter displays the statistic screen, and the area and volume counters reset to 0.

Note: If you do not reset the Area 2 counter, the area and volume counters continue to accumulate data.

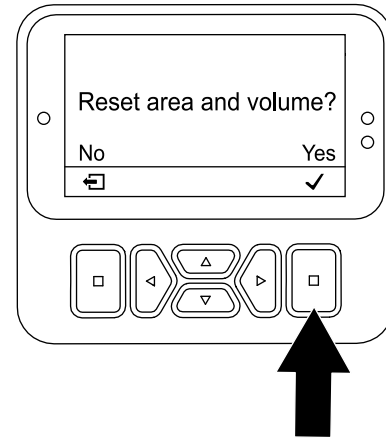


Figure 101

g510199

- Repeat steps 1 through 4 as needed.
- Press the back button to return to the main menu.

Resetting the Area 2—Area and Volume Counters

Supervisor

Note: Resetting the AREA 2 counters does not reset the AREA 1 counters.

- Enter the PIN to access protected menus; refer to [Accessing Protected Menus \(page 23\)](#).
- In the STATISTICS screen, press the down button until the AREA 2 option is selected (Figure 100).

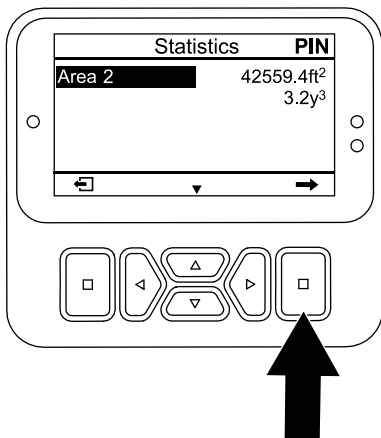


Figure 100

g510200

- Press the back button to return to the main menu.

Supporting the Coring Head with the Service Latch

Install the service latch before performing coring head maintenance or when storing the machine for more than a couple of days.

⚠ DANGER

If the coring head is raised and not latched, it can lower unexpectedly and injure you or bystanders.

Any time you service the coring head, including changing of tines or turf guards, use the service latch to secure coring head in the raised position.

- If needed, record the aeration area and soil-core volume data.
- Press the select button to display to the reset area and volume screen.

- Raise the coring head.
- Park the machine on a level surface, fully raise and latch and latch the handlebar to engage the parking brake, shut off the engine, remove the key, and wait for all moving parts to stop.
- Remove the coring head cover; refer to [Removing the Coring-Head Cover \(page 67\)](#).
- Remove the lynch pin securing the service latch to the side plate (Figure 102).

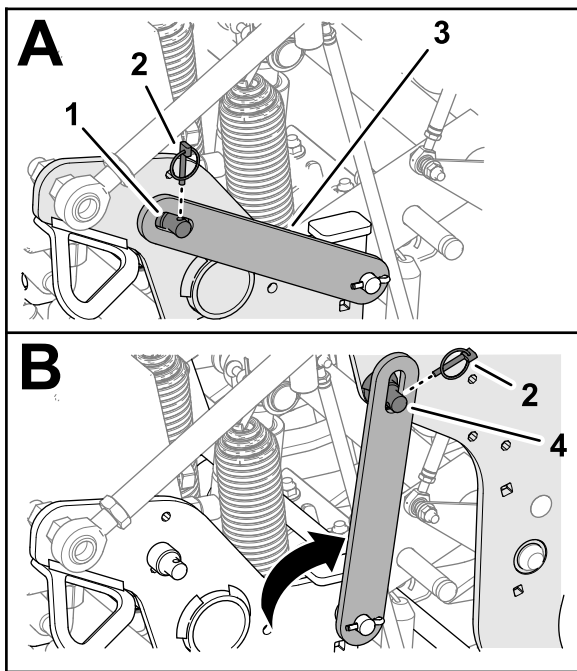


Figure 102

g342299

- | | |
|-----------------------------|------------------------------|
| 1. Support pin (side plate) | 3. Service latch |
| 2. Lynch pin | 4. Support pin (coring head) |

5. Rotate the service latch rearward and align it over the support pin of the coring head.
6. Secure the latch to the support pin with the lynch pin.
7. If needed, install the coring-head cover; refer to [Installing the Coring-Head Cover \(page 59\)](#).

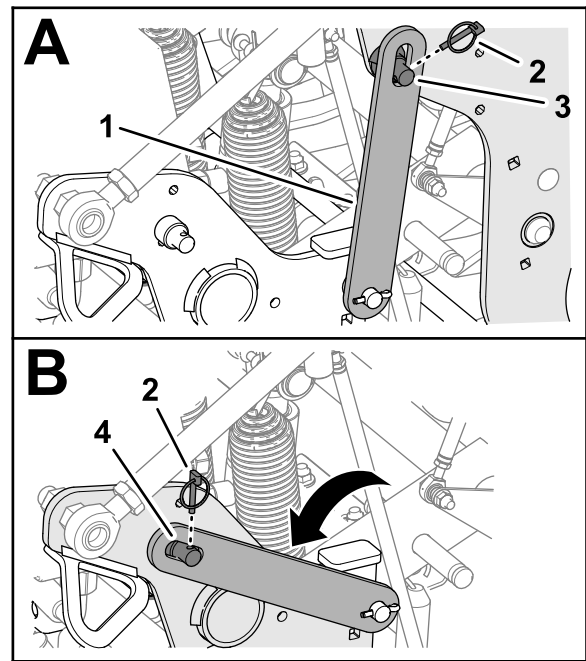


Figure 103

g342300

- | | |
|------------------|------------------------------|
| 1. Service latch | 3. Support pin (coring head) |
| 2. Lynch pin | 4. Support pin (side plate) |

4. Rotate the service latch down and align it over the support pin of the side plate.
5. Secure the latch to the support pin with the lynch pin.
6. Install the coring-head cover; refer to [Installing the Coring-Head Cover \(page 68\)](#).

Stowing the Service Latch

1. Park the machine on a level surface, fully raise and latch the handlebar to engage the parking brake, shut off the engine, remove the key, and wait for all moving parts to stop.
2. If the coring-head cover is installed, remove it; refer to [Removing the Coring-Head Cover \(page 67\)](#).
3. Remove the lynch pin securing the service latch to the support pin of the coring head ([Figure 103](#)).

Replacing a Damaged Tine

Important: Replacing a damaged tine with one that is the same length. Different tine lengths negatively affect hole appearance.

Different tine lengths affect hole appearance.

Refer to [Installing Turf Guards, Tine Holders, and Tines \(page 29\)](#) for illustrations.

1. Raise the coring head and lock it in position with the service latch.
2. Park the machine on a level surface, fully raise and latch the handlebar to engage the parking brake, shut off the engine, remove the key, and wait for all moving parts to stop.
3. Loosen the tine holder bolts and remove the old tine(s).
4. Insert the new tine(s) into the tine holder.
5. Torque the tine holder bolts to 40.6 N·m (30 ft·lb).
6. If needed, repeat this procedure on the remaining arms.

Checking the Tine Ground-Height Calibration

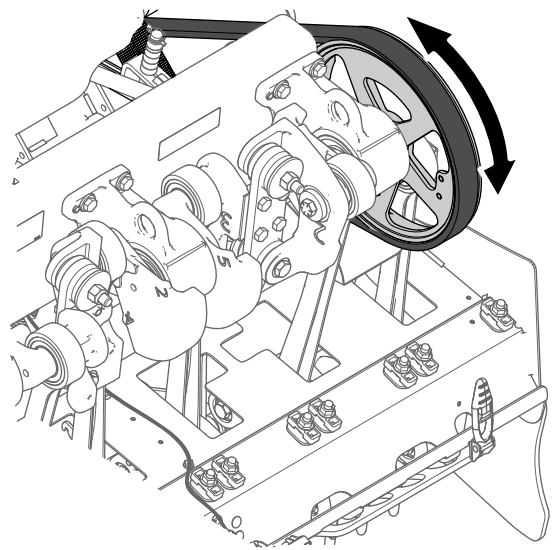
Use the recall ground height application to quickly check the current tine ground height.

The application moves the head down to the previously calibrated position; once the head is in position you can inspect the distance of the tine tips from the ground.

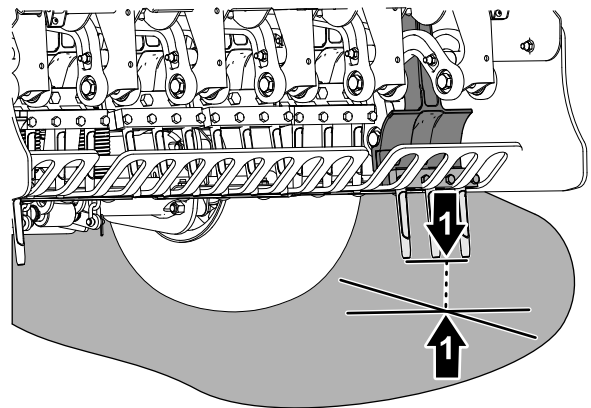
Preparing the Machine

1. Ensure that the coring head is raised.
2. Park the machine on a level surface, fully raise and latch the handlebar to engage the parking brake, shut off the engine, remove the key, and wait for all moving parts to stop.
3. Remove the coring-head cover; refer to [Removing the Coring-Head Cover \(page 67\)](#).
4. Rotate coring-head pulley ([Figure 104](#)) until the outermost tines are aligned closest to the ground.

Important: Keep your fingers away of the area where the belt merges and departs the pulley so that you do not pinch your fingers.



g343368



g343367

Figure 104

1. Coring-head pulley
2. Outermost tines (closest to the ground)

-
5. Install the coring-head cover; refer to [Installing the Coring-Head Cover \(page 68\)](#).

Running the Recall Ground Height Application

1. Enter the PIN to access protected menus; refer to [Accessing Protected Menus \(page 23\)](#).
2. In the InfoCenter, navigate to the MAIN MENU.
3. Press the down button until the SERVICE option is selected, then press the select button ([Figure 105](#)).

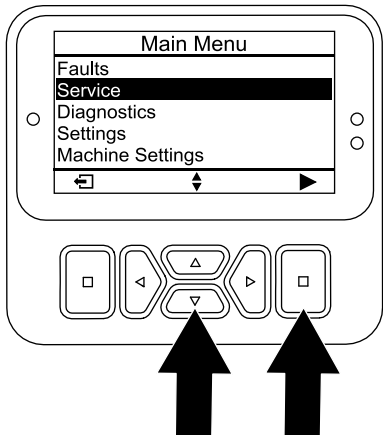


Figure 105

g510196

4. Press the down button on the InfoCenter to navigate to the GROUND HEIGHT option, then press the select button.
5. Press the down button on the InfoCenter to navigate to the RECALL CALIBRATION option, then press the select button.
6. On the Recall Ground Height screen ([Figure 106](#)), press the select button.

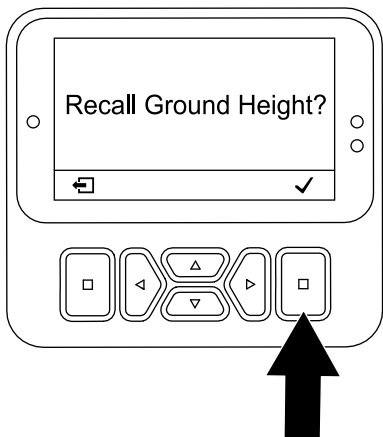


Figure 106

g510201

7. On the Head Will Lower screen ([Figure 107](#)), press the select button.

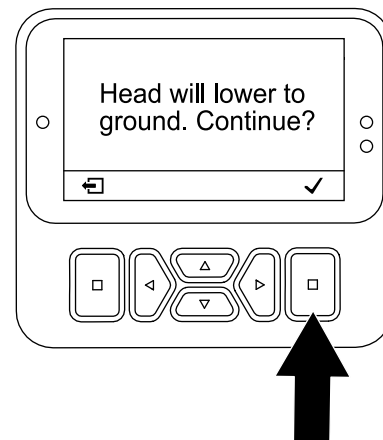


Figure 107

g510202

Note: The Lowering Head message displays and the coring head lowers.

8. Watch the outermost tines for the following out-of-calibration conditions.
 - If the tines begin to penetrate the ground—press the select button ([Figure 108](#)) and run the TEACH GROUND HEIGHT application; refer to [Running the Teach Ground Height Application \(page 35\)](#).
 - If the tines are above the ground—press the select button and run the TEACH GROUND HEIGHT application; refer to [Running the Teach Ground Height Application \(page 35\)](#).

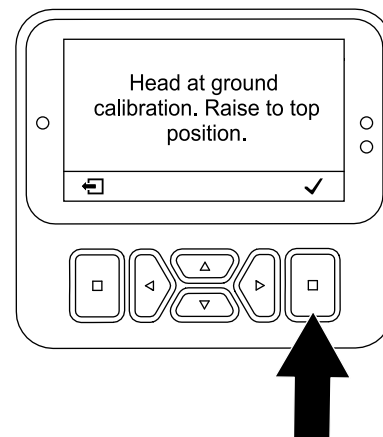


Figure 108

g510203

9. If the outermost tines lightly touch the ground, press the select button to raise the coring head.

Adjusting the Weight Transfer

The machine transfers weight from the traction unit to the coring head to help maintain hole depth in various soil structures. However, if the soil structure is firm enough to not allow full aeration depth, the coring head may need additional weight transfer. The machine is set for normal weight transfer at the factory. To increase the down pressure of the weight transfer springs, proceed as follows:

⚠ WARNING

Sudden release of the spring plates could cause injury.

Acquire the help of another person to help adjust the weight transfer spring.

1. Park the machine on a level surface, fully raise and latch the handlebar to engage the parking brake, shut off the engine, remove the key, and wait for all moving parts to stop.
2. Loosen the forward flange locknut and carriage bolt that secure the spring-tension plate to the support bracket of the coring head (Figure 109).

Note: Do not remove locknut and carriage bolt.

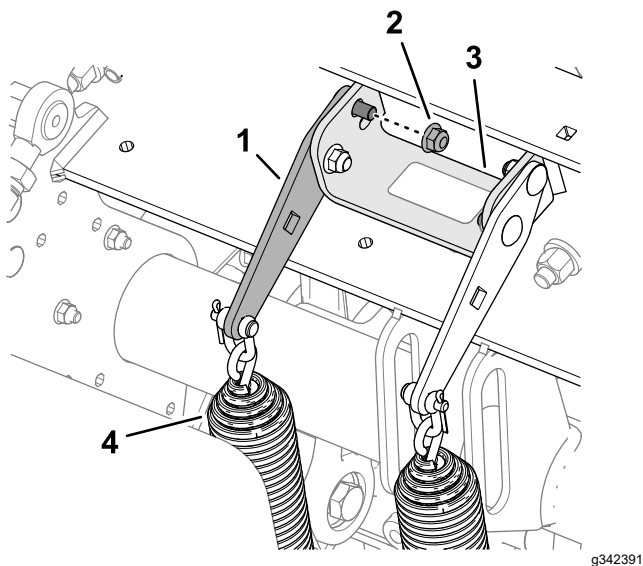


Figure 109
Normal Weight Transfer Position—Upper Hole

- | | |
|--------------------------|----------------------------------|
| 1. Spring-tension plate | 3. Support bracket (coring head) |
| 2. Flange locknut (rear) | 4. Weight transfer springs |

3. Remove the rear flange locknut that secures the spring brackets to the support bracket.

Note: Do not remove carriage bolt.

4. Insert a 1/2 inch-drive ratchet or breaker bar into the square hole in the spring-tension plate (Figure 110).

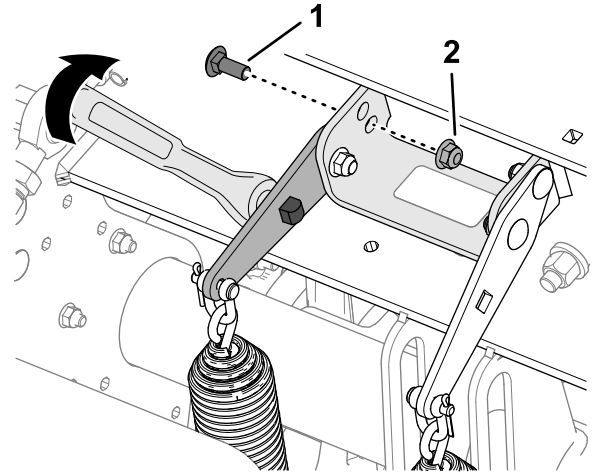


Figure 110
Higher Weight Transfer Position—Lower Hole

- | | |
|-------------------------|-------------------|
| 1. Carriage bolt (rear) | 2. Flange locknut |
|-------------------------|-------------------|

5. Rotate the ratchet or breaker bar to relieve the tension on the rear carriage bolt and remove it from the upper hole.

Note: The upper hole is the normal weight transfer position.

6. Rotate the spring-tension plate until it aligns with the lower hole in the support bracket, insert the carriage bolt through the holes in the plate and bracket.

Note: The lower hole is the higher weight transfer position. Rotating the spring plates upward increases the weight transfer.

7. Secure the carriage bolt to the support bracket and spring-tension plate with the flange locknut.
8. Torque the locknuts to 37 to 45 N·m (27 to 33 ft-lb).

Using Manual Ground Following

For optimum hole quality and machine performance, aerate using the automatic ground following system.

Use manual ground following only if the tine-position sensor is damaged.

Adjusting the Depth-Stop Spacers

1. Park the machine on a level surface, fully raise and latch the handlebar to engage the parking brake, shut off the engine, remove the key, and wait for all moving parts to stop.
2. Remove the coring-head cover; refer to [Removing the Coring-Head Cover \(page 67\)](#).
3. Remove the lynch pin that secures the depth-stop pin and spacers to the stop bracket ([Figure 111](#) and [Figure 112](#)).

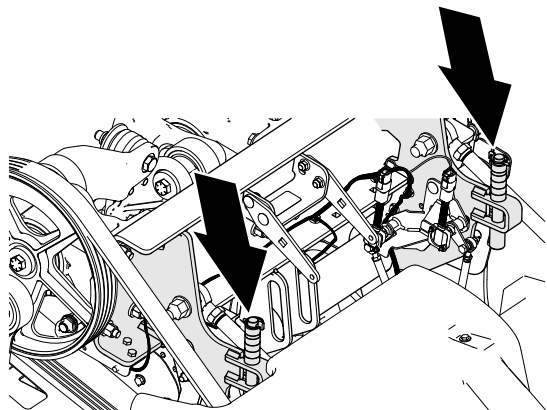


Figure 111

g342335

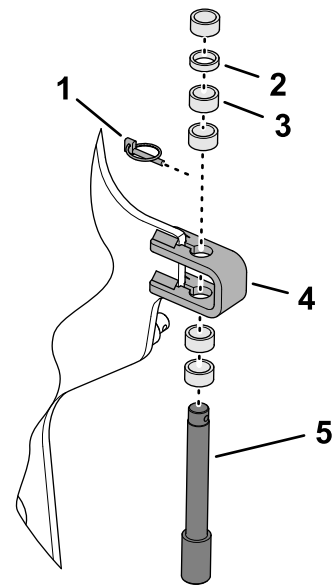


Figure 112

g342334

- | | |
|------------------------------------|-------------------|
| 1. Lynch pin | 4. Stop bracket |
| 2. Thin spacer—6.3 mm (1/4 inch) | 5. Depth-stop pin |
| 3. Thick spacer—12.7 mm (1/2 inch) | |

4. Position the spacers above or below the stop bracket to adjust the coring depth.
 - With all spacers at the top of the stop bracket, the depth setting is 10.7 cm (4-1/4 inches).
 - Thick spacers equate to 19 mm (3/4 inch) increment.
 - Thin spacer equates to 9.5 mm (3/8 inch) depth increment.

Note: You must install all spacers, regardless of their position.

5. Assemble the depth-stop pin and the spacers to the stop bracket with the lynch pin.
6. Repeat steps 3 through 5 at the other side of the machine.

Important: Ensure that the spacer location above and below the left and right stop brackets are identical.

7. Install the coring-head cover; refer to [Installing the Coring-Head Cover \(page 68\)](#).

Setting the InfoCenter

Note: If you aerate in manual mode, you must set the InfoCenter for the manual ground following mode each time you start the engine.

1. Turn the ignition key to RUN position.

Note: Do not start the engine.

2. Enter the PIN to access protected menus; refer to [Accessing Protected Menus \(page 23\)](#).
3. In the InfoCenter, navigate to the MAIN MENU.
4. Press the down button until the MACHINE SETTINGS option is selected, then press the select button.
5. Press the down button until the MANUAL AERATION option is selected, then press the select button ([Figure 113](#)) to set manual aeration to ON.

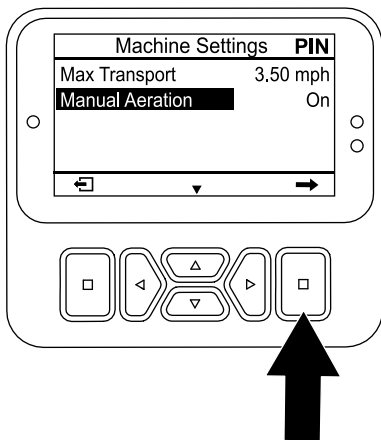


Figure 113

g510206

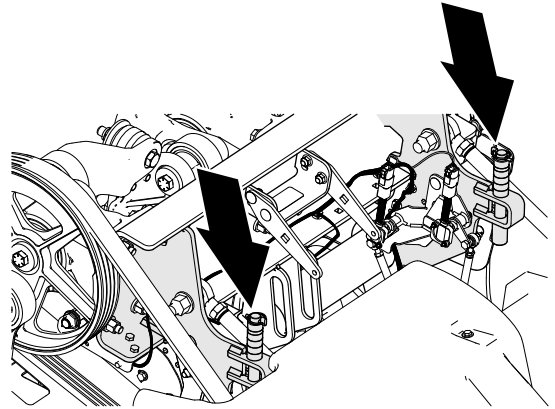
6. Start the engine.
7. Aerate using [Aerating Using the Delay-Drop Mode \(page 43\)](#) or the [Aerating Using the Immediate-Drop Mode \(page 44\)](#).

Note: When you shut off the engine and start it, the machine defaults to the automatic ground-following mode.

Stowing the Depth-Stop Spacers for Automatic Ground Following

1. Park the machine on a level surface, fully raise and latch the handlebar to engage the parking brake, shut off the engine, remove the key, and wait for all moving parts to stop.
2. Remove the coring-head cover; refer to [Removing the Coring-Head Cover \(page 67\)](#).

3. Remove the lynch pin that secures the depth-stop pin and spacers to the stop bracket ([Figure 114](#)).



g342335

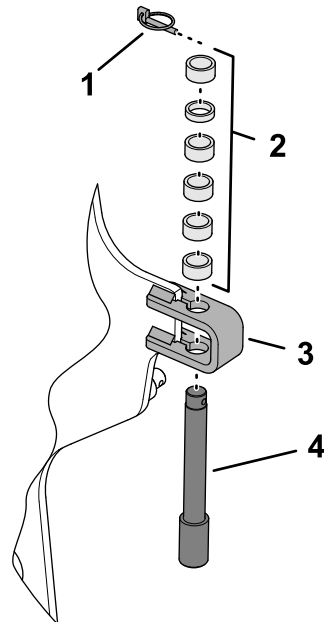


Figure 114

g356438

- | | |
|--------------|-------------------|
| 1. Lynch pin | 3. Stop bracket |
| 2. Spacers | 4. Depth-stop pin |

4. Position the all the spacers above the stop bracket.
5. Assemble the depth-stop pin and the spacers to the stop bracket with the lynch pin.

Note: You must stow all spacers.

6. Repeat steps 3 through 5 at the other side of the machine.
7. Install the coring-head cover; refer to [Installing the Coring-Head Cover \(page 68\)](#).

Adding Additional Weight

With the weight transfer adjusted, it is possible to aerate turf that is hard enough ground cause the machine to lift the rear tires off the ground. This may lead to irregular hole spacing.

If this lifting occurs, you can add optional counterweight plates to the rear frame axle tube. Each counterweight plate adds 28.5 kg (63 lb) to the machine. You can add up to 2 plates. Refer to the *Parts Catalog* of your machine for the counterweight and hardware part numbers.

Moving the Machine by Hand

Bypassing the Hydraulic Pump and Moving the Machine

Required tools: 15 mm socket and socket wrench

Important: Do not operate the engine with the bypass valve open for more than 10 to 15 seconds.

1. If possible, park the machine on a level surface.
2. Fully raise and latch the handlebar to engage the parking brake, shut off the engine, remove the key, and wait for all moving parts to stop.
3. Remove the 2 flange head bolts that secure the storage bin to the bin bracket (Figure 115).

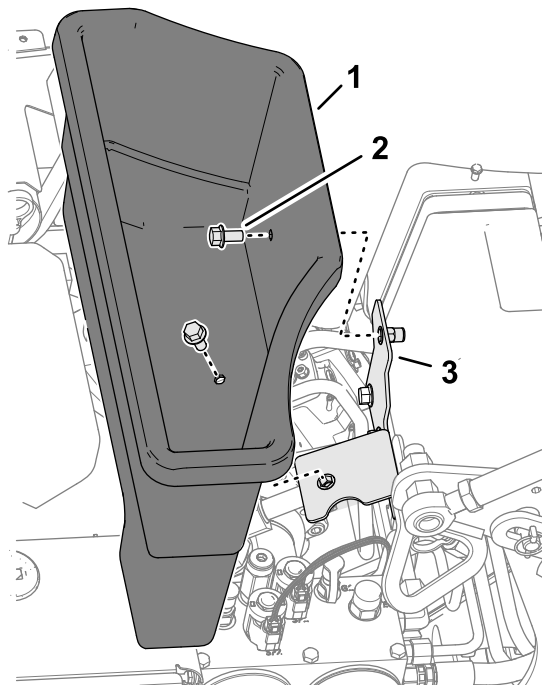


Figure 115

1. Storage bin
2. Flange head bolt
3. Bin bracket

4. Locate the cover for the bypass-valve screw between the engine and hydraulic pump as shown in Figure 116).

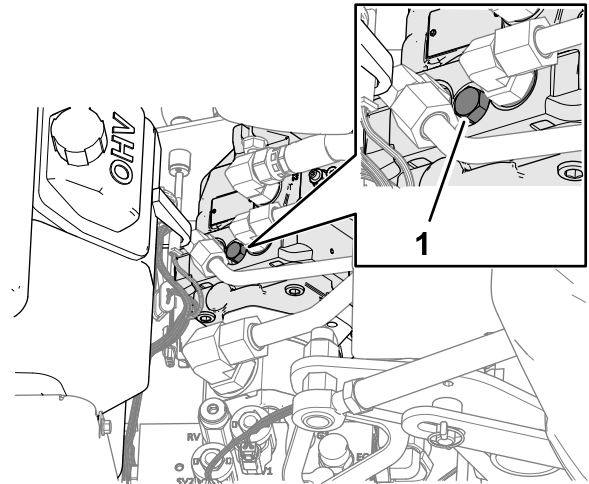


Figure 116

1. Bypass valve

5. Use a 15 mm socket and socket wrench to rotate the bypass valve counterclockwise 1-1/2 turns.

Important: Do not rotate the bypass valve more than 1-1/2 turns.

6. If you tow the machine, pull it using the front tie-down hoop (Figure 117).

Important: Do not push/pull the machine more than 30.5 m (100 ft) or faster than 0.6 km/h (1 mph) because hydraulic component damage may occur.

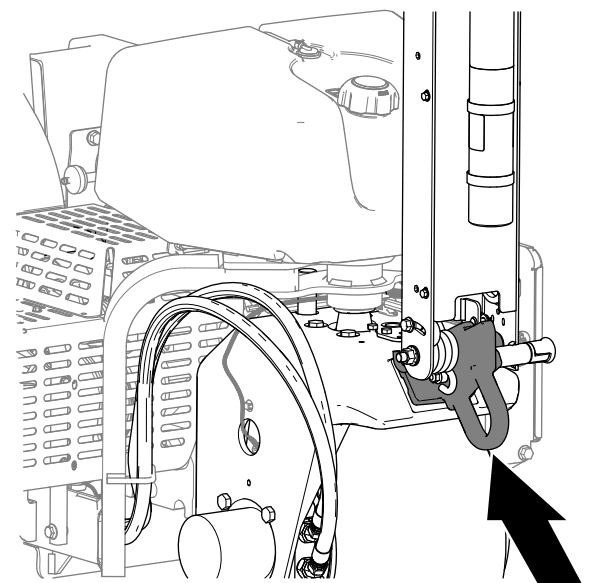


Figure 117

7. Lower the handlebar to disengage the parking brake before pushing/pulling the machine.

Important: You must lower the handlebar to disengage the parking brake before you move the machine.

Restoring the Hydraulic Pump

Important: You must close the bypass valve to drive the machine. Do not try to operate traction system with the bypass valve open.

1. Locate the bypass-valve screw between the engine and hydraulic pump.

Note: The location of the cover for the bypass-valve screw is shown in [Figure 118](#).

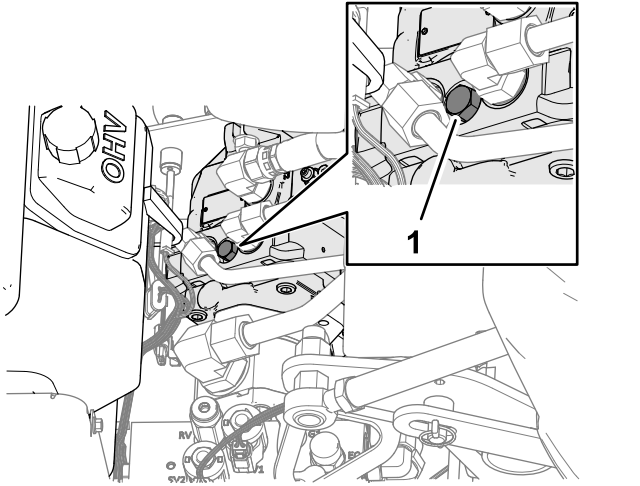


Figure 118

1. Bypass valve

2. Use a 15 mm socket and socket wrench to rotate the bypass valve clockwise 1-1/2 turns.

Note: Do not overtighten the bypass screw.

3. Use a 15 mm wrench to install the bypass-screw cover onto the hydraulic pump.
4. Install the storage bin to the bin bracket with the 2 flange-head bolts.

Moving the Machine when the Coring Head is Lowered

If the engine stops running while the coring head lowered and the tines engaged in the soil and you cannot start the engine, perform either [Lifting the Coring Head using the Starter](#) (page 56) or [Removing the Tine holders from the Stomper Arms](#) (page 57).

Lifting the Coring Head using the Starter

1. Move the key to the RUN position.

2. In the InfoCenter, navigate to the MAIN MENU.
3. Press the down button until the SERVICE option is selected, then press the select button ([Figure 119](#)).

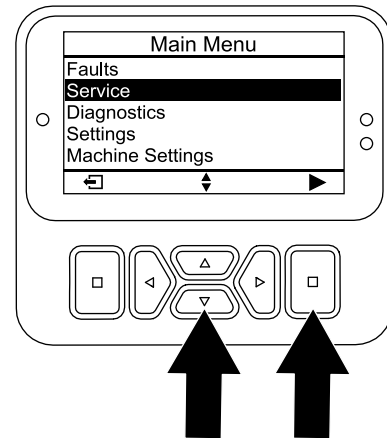


Figure 119

g510196

4. Press the down button until the SERVICE LIFT option is selected, then press the select button ([Figure 120](#)).

Note: The service lift option changes to ON.

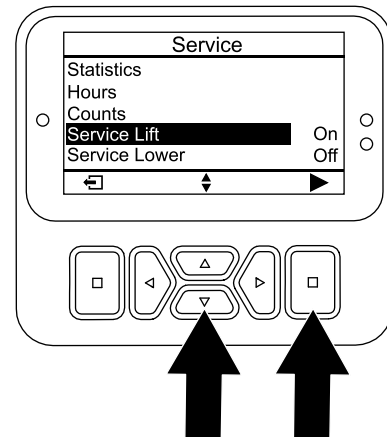


Figure 120

g510207

5. Move the key to the START position, and crank the starter for 10 seconds.

Important: Do not engage the starter for more than 10 seconds at a time. If the tines have not cleared the ground, allow a 30-second cool-down period between attempts. Failure to follow these instructions can burn out the starter motor.

Note: The coring head lifts the tines from the ground.

Important: The tines fully clear the ground before moving the machine.

6. Open the bypass valve; refer to [Bypassing the Hydraulic Pump and Moving the Machine \(page 55\)](#).
7. Pull/push the machine to a nearby location to continue service or load onto a trailer.

Important: Do not pull/push machine for more than 30.5 m (100 ft) and no faster than 1.6 km/h (1 mph), because hydraulic damage may occur.

Removing the Tine holders from the Stomper Arms

1. Remove the tine holders from the stomper arms.
2. Open the bypass valve; refer to [Bypassing the Hydraulic Pump and Moving the Machine \(page 55\)](#).
3. Pull/push the machine to a nearby location to continue service or load onto a trailer.

Important: Do not pull/push machine for more than 30.5 m (100 ft) and no faster than 1.6 km/h (1 mph), because hydraulic damage may occur.

Operating Tips

General

- Make very gradual turns when aerating. Never make sharp turns with the coring head engaged. Plan your aeration path before lowering the aerator.
- Always maintain awareness of what lies ahead in the direction of forward travel. Avoid aeration next to buildings, fences, and other equipment.
- Look behind frequently to ensure that the machine operates properly, and you maintain alignment with previous pass.
- Always clear the area of all damaged machine parts, such as broken tines, etc., to prevent their being picked up by mowers or other turf maintenance equipment.
- Replace broken tines and inspect and correct damage to those still usable. Repair any other machine damage before commencing operation.
- When aerating with less than the full width of the machine, you may remove tines, but the tine heads should remain installed on the stomper arms to ensure proper balance and operation of the machine.
- This machine aerates deeper than most greens aerators. On native or modified push-up greens

and tees, the deeper depth and longer hollow tines may have difficulty ejecting the complete core. This is due to harder native soil that sticks in the end of the tine. Side-eject greens/tees tines from the manufacturer stay cleaner and reduce the time required to clean the tines out. You will eventually eliminate this condition with continued aeration and top-dressing programs.

- This machine is designed to provide as much depth as possible; However, in some turf conditions the turf guards and/or turf guard bolts could cause damage when aerating at the full depth setting. If aerating at the full 4.5 inch depth setting allows the turf guard bolts to drag or contact the turf, reduce the depth by one step (1/4 inch).

Hard Ground

If the ground is too firm to obtain the desired coring depth, the coring head can get into a bouncing rhythm. This is due to the hard pan the tines are attempting to penetrate. Correct this condition by attempting the following:

- Do not aerate if ground is too hard or dry. You obtain best aeration results after a rain or watering the turf the previous day.
- Change to a 3-tine head, if attempting to use the 4-tine head or reduce the number of tines per stomper arm. Attempt to maintain a symmetrical tine configuration to evenly load the stomper arms.
- If ground is hard packed, reduce aerator penetration (depth setting), clean up the cores, water the turf, and re-aerate at a deeper penetration.

Aeration of soil types built on top of hard subsoils (i.e., soil/sand placed over rocky soil) can cause undesired hole quality. This occurs when the aeration depth is greater than the built up soil and the subsoil is too hard to penetrate. When the tines contact this harder subsoil, the aerator may lift and cause the top of the holes to become elongated. Reduce the aerating depth sufficiently to avoid penetration into the hard subsoil.

Entrance Hole Quality

The entrance hole quality is deteriorating when the hole is slotted (pulled forward).

If the hole entrance quality is deteriorating, check the tine ground-height calibration, refer to [Checking the Tine Ground-Height Calibration \(page 50\)](#).

Mini Tine (Quad Tine)

Because of the double row design, the mini-tine coring head requires the hole spacing to be set at 6.3 cm (2-1/2 inches). Ground speed is critical to maintain the appearance of 3.2 cm (1-1/4 inches) hole spacing. Refer to [Setting the Hole Spacing \(page 33\)](#) if your hole spacing requires a small change.

With the mini tine head or larger solid tine use, the turf root structure is important to preventing turf damage due to tearing of the root zone. If the center 2 arms begin to lift the turf or damage to the root zone is excessive, proceed as follows:

- Increase the hole spacing
- Decrease tine size
- Decrease tine depth
- Remove some of the tines

The lifting action that solid a tine creates when it pulls from the turf may cause turf damage. This lift can tear the root zone if the density of tines or diameter of tines is too high.

Front Hole Dimple or Push During the Aeration Pass (Solid Tines or Softer Soil Conditions)

When aerating with longer solid tines (i.e., 3/8 x 4 inches long) or needle type tines, the front of the holes may become slotted or tufted. To regain excellent hole quality for this configuration, try the following:

- Calibrate the tine ground height; refer to [Calibrating the Tine Ground Height \(page 34\)](#).
- Slow the engine high idle speed down to 2800 to 2900 rpm.

Note: Because traction and coring head speeds increase and decrease together with engine speed, hole spacing is not affected.

If slowing the engine speed does improve hole quality for the longer solid or needle type tines, adjust the roto-link damper.

Note: Under most conditions, the factory setting works best.

- If the front of the holes is slotted or tufted, a stiffer roto-link setting helps resist hole-push and improve hole quality.
- If the back of the holes is slotted or tufted, a softer roto-link setting helps improve the hole quality.

Note: You must reverse the position of the roto-Link damper if you change back to a coring style tine or any of the mini-tines.

Preparing the Machine

1. Park the machine on a level surface, fully raise and latch the handlebar to engage the parking brake, shut off the engine, remove the key, and wait for all moving parts to stop.
2. Remove the coring-head cover; refer to [Removing the Coring-Head Cover \(page 67\)](#).
3. Secure the coring head with the service latch; refer to [Supporting the Coring Head with the Service Latch \(page 48\)](#).

Adjusting the Roto-Link Dampeners

Note: The factory positions 1 roto-link spacer at the roto-link dampener shaft and 1 spacer is in the stowed position for each stomper arm.

Note: Adjusting the roto-link dampers allows you to operate the machine at full engine speed (3400 rpm), however you may need to aerate at slower engine speeds to improve the hole quality.

1. Remove the 2 flange locknuts that secure the roto-link dampener shaft to the rear frame of the machine ([Figure 121](#)).

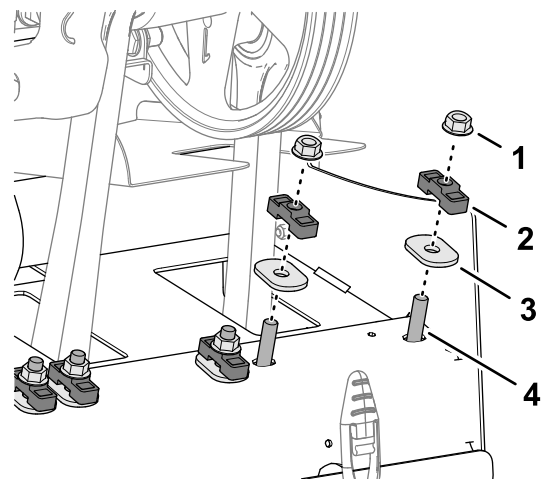


Figure 121

- | | |
|-------------------|------------------------------------|
| 1. Flange locknut | 3. Hardened oval washer |
| 2. Spacer | 4. Stud (roto-link dampener shaft) |

2. Remove the spacer (if stowed) and hardened oval washers.
3. Rotate the dampener link and dampener shaft down ([Figure 122](#)).

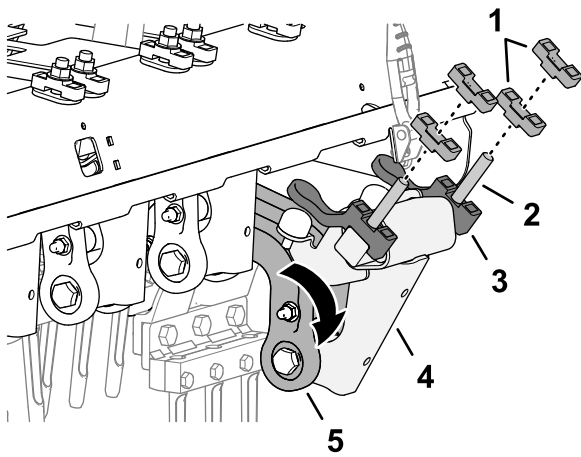


Figure 122

g358196

- | | |
|------------------------|-------------------|
| 1. Spacer | 4. Dampener shaft |
| 2. Stud | 5. Dampener link |
| 3. Lower bumper-spacer | |

- Position the roto-link spacer to correct the following hole-mounding conditions:

Note: Each spacer is equivalent to 12.7 mm (1/2 inch). The lower bumper-spacer must remain assembled to the damper shaft.

- If the front of the holes is slotted or tufted—position the spacers above the rear frame, in the stowed position.
- If the back of the holes is slotted or tufted—position both spacers above the rear frame, at each side of the roto-link dampener shaft.

- Rotate the dampener link and dampener shaft up, and insert the studs through the holes in the rear frame of the machine.
- Secure the dampener shaft and spacers to the rear frame with the hardened oval washers and locknuts ([Figure 123](#)).

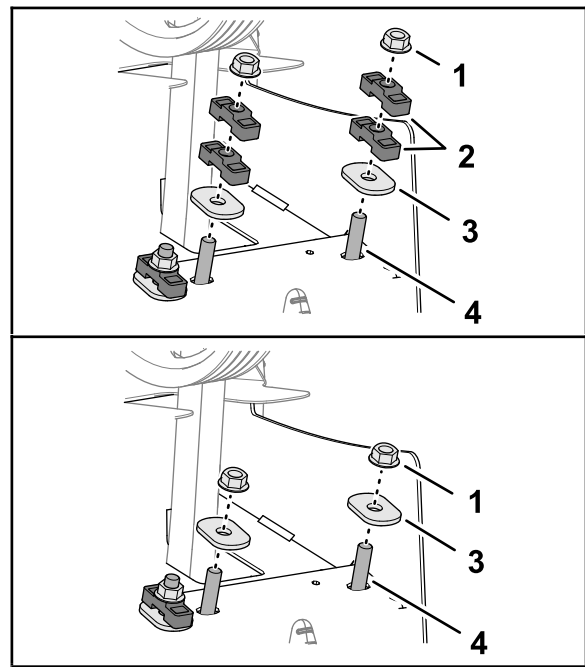


Figure 123

g358197

- | | |
|-----------------------------|------------------------------------|
| 1. Flange locknut | 3. Hardened oval washer |
| 2. Spacer (stowed position) | 4. Stud (roto-link dampener shaft) |

- Torque the flange locknuts to 47 to 61 N·m (35 to 45 ft·lb).
- Repeat steps 1 through 7 at the next 2 stomper arms.

Installing the Coring-Head Cover

- Stow the service latch; refer to [Stowing the Service Latch](#) (page 49).
- Install the coring-head cover; refer to [Installing the Coring-Head Cover](#) (page 68).

Calibrating Ground Height

Perform the calibrating the tine ground height procedure; refer to [Calibrating the Tine Ground Height](#) (page 34).

Testing Hole Quality

- Take the machine to a test area, and aerate the turf to compare the hole quality.
- If hole quality improved, repeat the steps in [Preparing the Machine](#) (page 58), [Adjusting the Roto-Link Dampeners](#) (page 58), and [Installing the Coring-Head Cover](#) (page 59) to adjust the roto-link dampener at the other 3 stomper arms.

After Operation

After Operation Safety

- Park the machine on a level surface, fully raise and latch the handlebar to engage the parking brake, shut off the engine, remove the key, and wait for all moving parts to stop.
- Lower the coring head or secure it with the service latch when you are not running the machine.
- Keep all parts of the machine in good working condition and all hardware tightened.
- Replace all worn, damaged, or missing decals.

Cleaning the Machine

Service Interval: Before each use or daily

Important: Do not use brackish or reclaimed water to clean the machine.

Important: Do not pressure wash the machine.

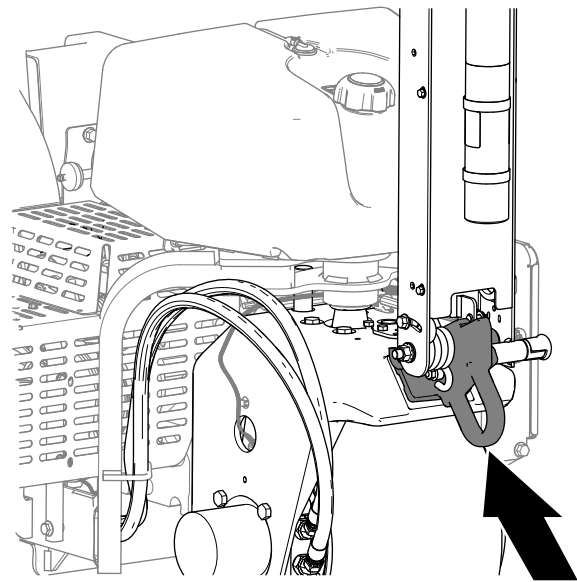
1. Park the machine on a level surface, fully raise and latch the handlebar to engage the parking brake, shut off the engine, remove the key, and wait for all moving parts to stop.
2. Thoroughly wash the machine.
 - Use a garden hose without a nozzle to avoid forcing water past the seals and contaminating bearing grease.
 - Use a brush to remove caked-on material.
 - Use mild detergent to clean the covers.
3. After cleaning, apply a coat of auto wax periodically to maintain the glossy finish of the cover.
4. Inspect the machine for damage, oil leaks, and component and tine wear.
5. Remove, clean, and oil the tines. Spray a light oil mist on coring head bearings (crank and damper links).

Important: Secure the coring head with the service latch if you store the machine for more than a couple of days.

Tie-Down Points

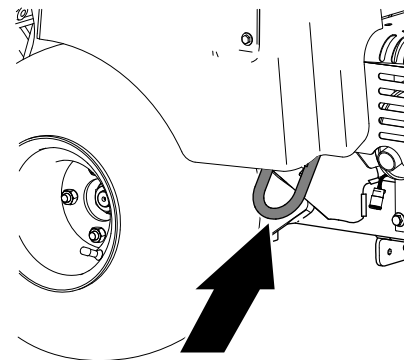
There are tie-down hoops located at the front and rear sides of the machine (Figure 124, Figure 125, and Figure 126).

Note: Use properly-rated DOT-approved straps to tie down the machine; refer to [Specifications \(page 24\)](#) for the weight of the machine.



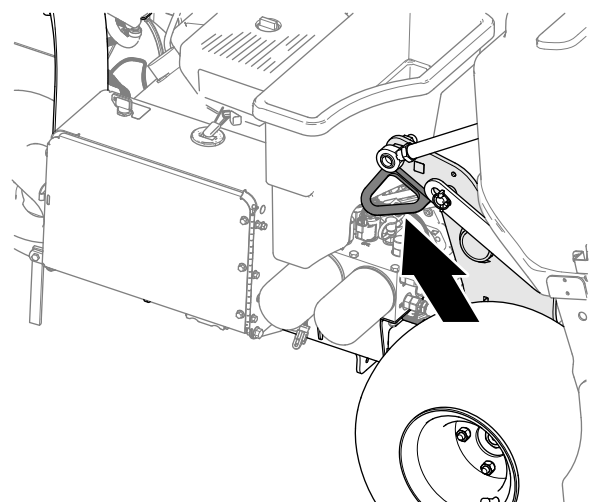
g342220

Figure 124
Front Hoop



g342222

Figure 125
Right, Rear Hoop



g342221

Figure 126
Left, Rear Hoop

Hauling the Machine

▲ WARNING

Driving the machine on street or roadway without turn signals, lights, reflective markings, or a slow-moving vehicle emblem is dangerous and can lead to accidents causing personal injury.

Do not operate the machine on a public street or roadway.

Important: Use full-width ramps for loading the machine onto a trailer or truck.

1. Load the machine onto the trailer or truck (coring head forward—preferred).
2. Fully raise and latch the handlebar to engage the parking brake, shut off the engine, remove the key, and wait for all moving parts to stop.
3. Secure the coring head with the service latch; refer to [Supporting the Coring Head with the Service Latch \(page 48\)](#).
4. Close the fuel-shutoff valve; refer to [Fuel-Shutoff Valve \(page 20\)](#).
5. At the tie-down points, bind the machine to the trailer or truck with cables, chains, or straps; refer to [Tie-Down Points \(page 60\)](#)

Trailer Recommendations

Weight	745 kg (1,642 lb) or 829 kg (1,827 lb) with 2 optional weights
Width	130 cm (51 inches) minimum
Length	267 cm (105 inches) minimum
Ramp Angle	3.5/12 pitch (16°) maximum
Load Direction	Coring head forward (preferred)
Vehicle Tow Capacity	Greater than gross trailer weight (GTW)

Maintenance

Note: Download a free copy of the electrical or hydraulic schematic by visiting www.Toro.com and searching for your machine from the Manuals link on the home page.

Note: Refer to your engine owner’s manual for additional maintenance procedures.

Note: Determine the left and right sides of the machine from the normal operating position.

Maintenance Safety

- Park the machine on a level surface, fully raise and latch the handlebar to engage the parking brake, shut off the engine, remove the key, and wait for all moving parts to stop. Allow the machine to cool before adjusting, servicing, cleaning, or storing it.
- Perform only those maintenance instructions described in this manual. If the machine needs major repair or you need assistance, contact an authorized Toro distributor.
- Ensure that the machine is in safe operating condition by keeping nuts, bolts, and screws tight.
- If possible, do not perform maintenance while the engine is running. Keep away from moving parts.
- Carefully release pressure from components with stored energy.
- Check the tine mounting bolts daily to be sure that they are tightened to specification.
- Ensure that all guards are installed, and the hood is secured shut after maintaining or adjusting the machine.

Recommended Maintenance Schedule(s)

Maintenance Service Interval	Maintenance Procedure
After the first 8 hours	<ul style="list-style-type: none"> • Adjust the pump belt. • Check the torque of the coring head fasteners, tiller handle fasteners and wheel lug nuts.
After the first 50 hours	<ul style="list-style-type: none"> • Change the engine oil and filter.
Before each use or daily	<ul style="list-style-type: none"> • Test the safety interlock system. • Calibrate the tine ground height before aerating. • Clean the machine. • Check the engine-oil level. • Remove debris from the engine screen. (Clean more frequently in dirty operating conditions.) • Check the hydraulic lines. • Check the hydraulic-fluid level.
Every 25 hours	<ul style="list-style-type: none"> • Clean the foam air filter element and check the paper element for damage.
Every 50 hours	<ul style="list-style-type: none"> • Check the tire pressure.
Every 100 hours	<ul style="list-style-type: none"> • Replace the paper air filter element. • Change the engine oil and filter. • Replace the fuel filter.
Every 200 hours	<ul style="list-style-type: none"> • Check the spark plugs. • If you are not using the recommended hydraulic fluid or have ever filled the reservoir with an alternative fluid, change the hydraulic fluid and filters.
Every 250 hours	<ul style="list-style-type: none"> • Check the torque of the coring head fasteners, tiller handle fasteners and wheel lug nuts.
Every 400 hours	<ul style="list-style-type: none"> • If you are using the recommended hydraulic fluid, change the hydraulic fluid and filters.
Every 500 hours	<ul style="list-style-type: none"> • Inspect the coring head bearings, if needed, replace.

Maintenance Service Interval	Maintenance Procedure
Before storage	<ul style="list-style-type: none"> Refer to the Storage section for procedures necessary to perform before storing the machine for more than 30 days.
Yearly	<ul style="list-style-type: none"> Check the coring head bearings. Check the battery cable connections. Check the battery cable connections. Inspect the belts for wear and damage.

Important: Refer to your engine owner's manual for additional maintenance procedures.

Daily Maintenance Checklist

Duplicate this page for routine use.

Maintenance Check Item	For the week of:						
	Mon.	Tues.	Wed.	Thurs.	Fri.	Sat.	Sun.
Check the safety interlock operation.							
Check parking brake operation.							
Check the engine-oil level.							
Check fuel level.							
Check the air cleaner.							
Check the engine for debris.							
Check unusual engine noises.							
Check unusual operating noises.							
Check the hydraulic-fluid level.							
Check the hydraulic hoses for damage.							
Check for fluid leaks.							
Check instrument operation.							
Check the condition of the tines.							
Touch up damaged paint.							

Important: Refer to your engine owner's manual for additional maintenance procedures.

Notation for Areas of Concern

Inspection performed by:		
Item	Date	Information
1		
2		
3		
4		
5		
6		
7		
8		

Pre-Maintenance Procedures

⚠ CAUTION

If you leave the key in the ignition switch, someone could accidentally start the engine and seriously injure you or other bystanders.

Park the machine on a level surface, fully raise and latch the handlebar to engage the parking brake, shut off the engine, remove the key, and wait for all moving parts to stop.

Important: The fasteners on the covers of this machine are designed to remain on the cover after removal. Loosen all the fasteners on each cover a few turns so that the cover is loose but still attached, then go back and loosen them until the cover comes free. This prevents you from accidentally stripping the bolts free of the retainers.

Preparing the Machine for Maintenance

1. Park the machine on a level surface.
2. Fully raise and latch the handlebar to engage the parking brake; refer to [Engaging the Parking Brake \(page 38\)](#).
3. Shut off the engine, remove the key, and wait for all movement to stop before leaving the machine; refer to [Shutting Off the Engine \(page 39\)](#).
4. Allow the machine to cool.

Lifting the Machine

⚠ CAUTION

If the machine is not properly supported by blocks or jack stands, the machine may move or fall, which may result in personal injury.

- When changing attachments, tires, or performing other service, use the correct blocks, hoists, and jacks.
- Make sure that the machine is parked on a solid, level surface such as a concrete floor.
- Prior to raising the machine, remove any attachments that may interfere with the safe and proper raising of the machine.
- Always chock or block wheels. Use jack stands or solid wood blocks to support the raised machine.

Jacking the Front End

1. Prepare the machine for maintenance; refer to [Preparing the Machine for Maintenance \(page 64\)](#).
 2. Chock the rear tires to prevent the machine from moving.
- Important:** To prevent wheel motor damage, *do not* use the front wheel motor as a jacking point.
3. Position the jack securely under the front wheel-support arm ([Figure 127](#)).

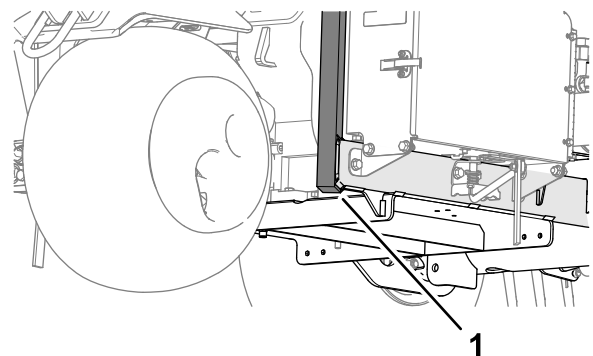


Figure 127

g341101

1. Wheel-support arm

4. Jack the front of the machine off the ground.
5. Position the jack stands or hardwood blocks under the front of the frame to support the machine.

Jacking the Rear End

1. Prepare the machine for maintenance; refer to [Preparing the Machine for Maintenance \(page 64\)](#).
2. Chock the front tire to prevent the machine from moving.

Important: To prevent wheel motor damage, **do not use rear wheel motor as a jacking point.**

3. Place the jack securely under the frame plate just inside of the rear wheel ([Figure 128](#)).

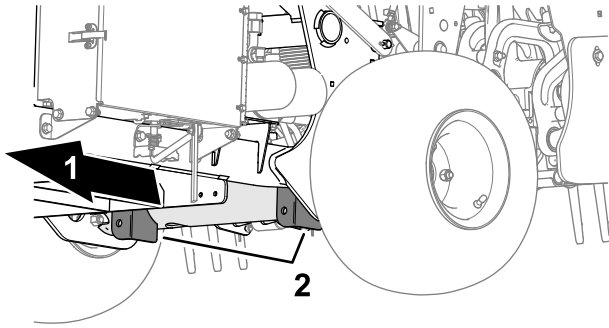


Figure 128

g341102

1. Back of the machine
2. Counterweight brackets (cross tube)

Note: If available, use a hoist to lift the rear of the machine. Use the eyelets in the coring-head bearing housings as hoist attachment points ([Figure 129](#)).

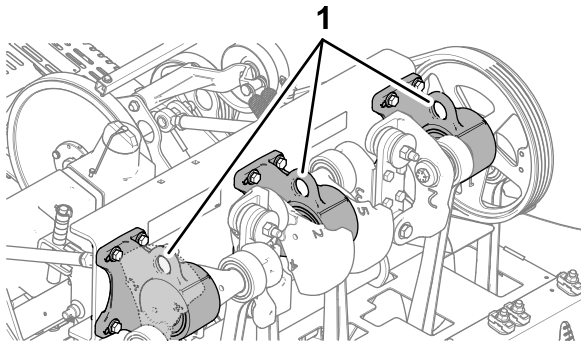


Figure 129

g341103

1. Eyelets (coring-head bearing housings)
4. Jack (or lift) the rear of the machine off the ground.
5. Position the jack stands or hardwood blocks under the frame to support the machine.

Removing the Belt Cover

1. If your machine has the CE belt-cover latch lanyard, loosen the lanyard bolt until it separates from the cover latch ([Figure 130](#)).

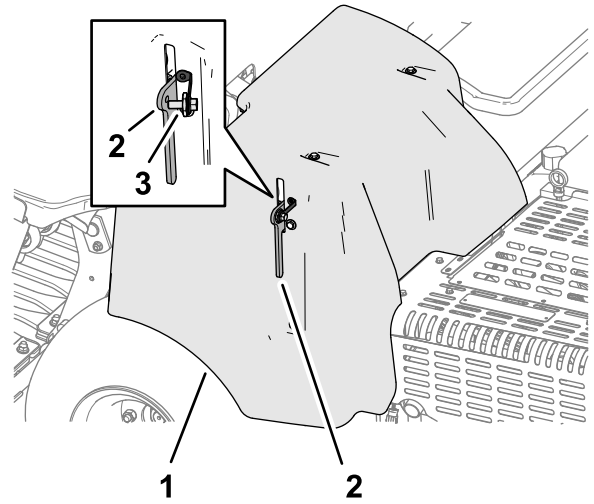


Figure 130

g340155

1. Belt cover
2. Latch
3. Lanyard bolt

2. Lift the latch handle ([Figure 131](#)).

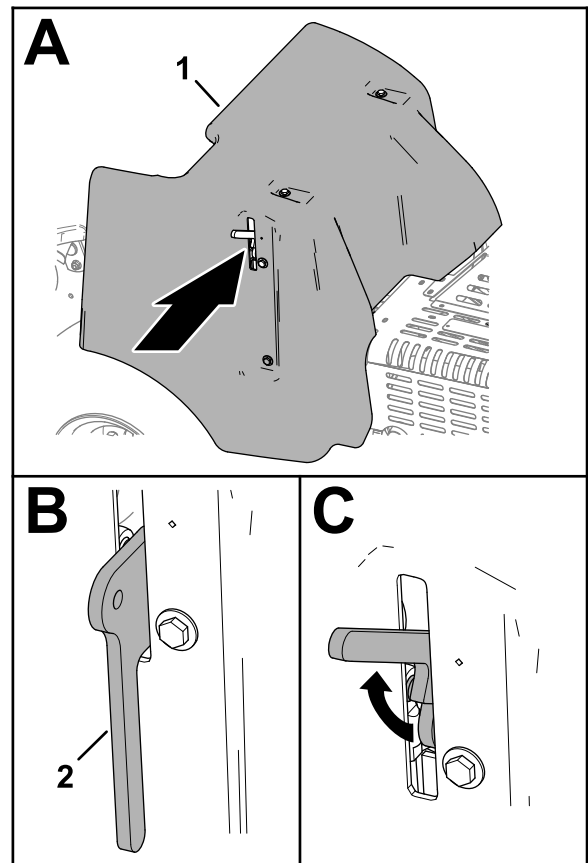


Figure 131

g340158

1. Belt cover
2. Latch

- Lift the belt cover from the machine (Figure 132).

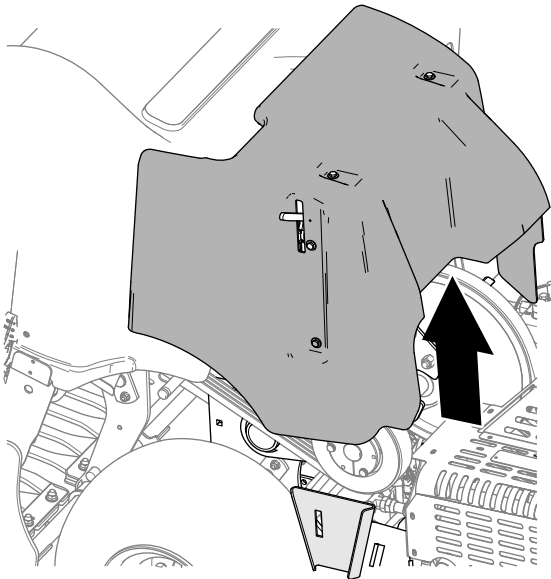


Figure 132

g340154

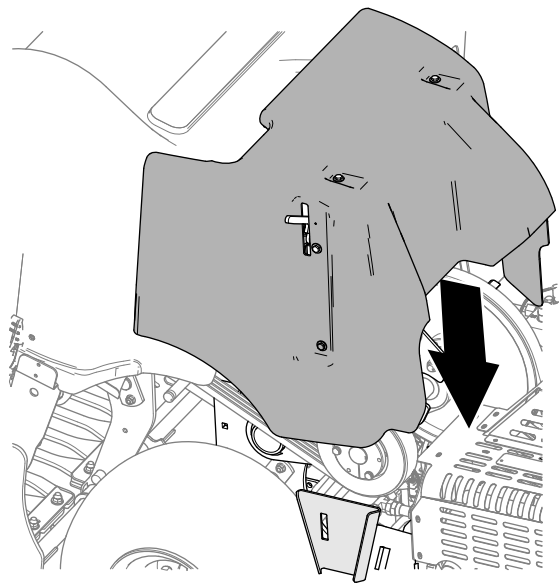


Figure 134

g340174

- Fully lower the latch handle to secure the cover (Figure 135).

Installing the Belt Cover

- Align the mount bracket of the belt cover with the cover-support bracket of the machine frame (Figure 133).

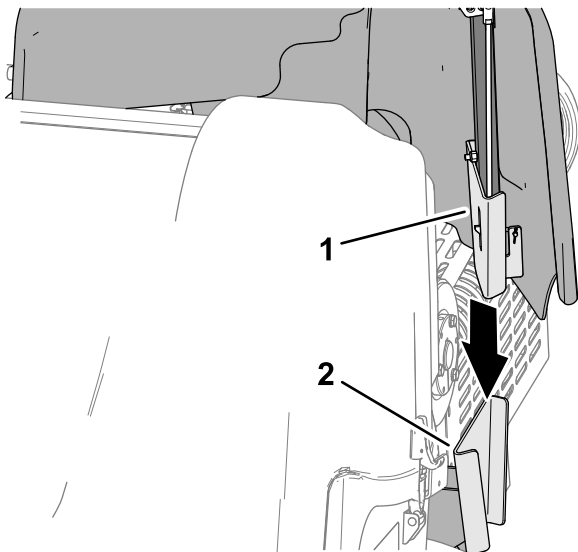


Figure 133

g340148

- Mount bracket (belt cover)
- Cover-support bracket (machine frame)

- Lower the belt cover (Figure 134).

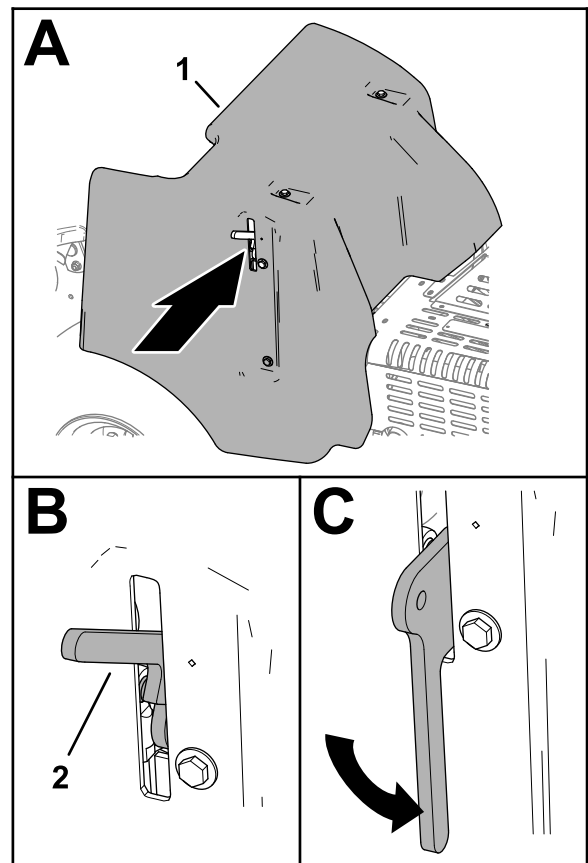


Figure 135

g340173

- Belt cover
- Latch handle

- If your machine has the CE belt-cover latch lanyard, thread the lanyard bolt into the hole in the cover latch, and tighten the bolt (Figure 136).

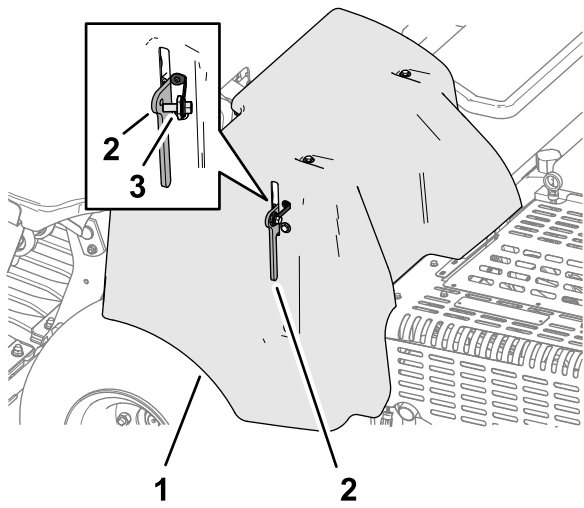


Figure 136

g340155

1. Belt cover
2. Latch
3. Lanyard bolt

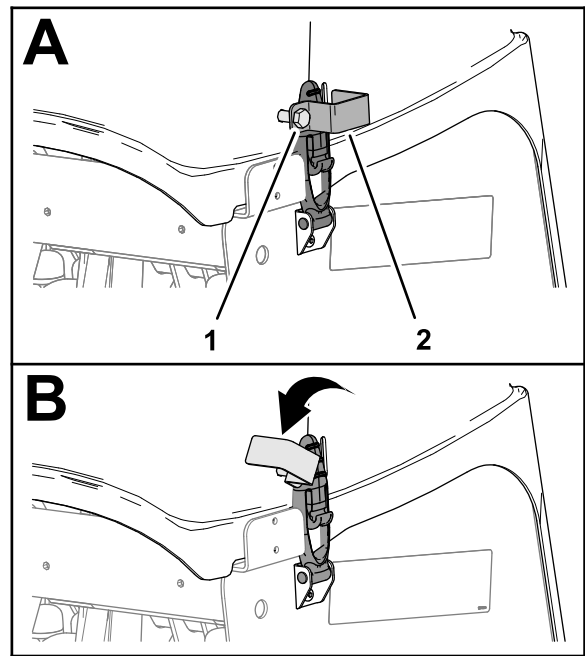


Figure 138

g340150

1. Lock-plate bolt
2. Lock plate

Removing the Coring-Head Cover

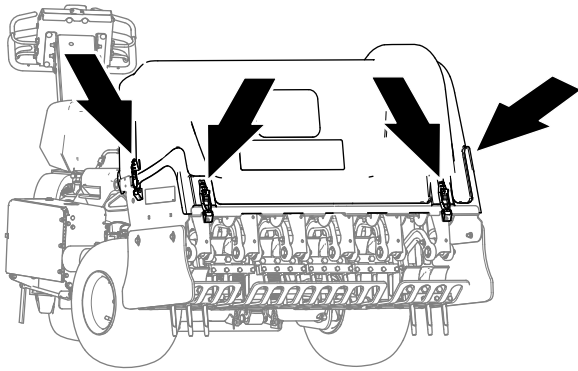


Figure 137

g340151

1. If you machine has CE latch locks, loosen the lock-plate bolt until the lock plate clears the slot in the side of the coring-head cover (Figure 138).

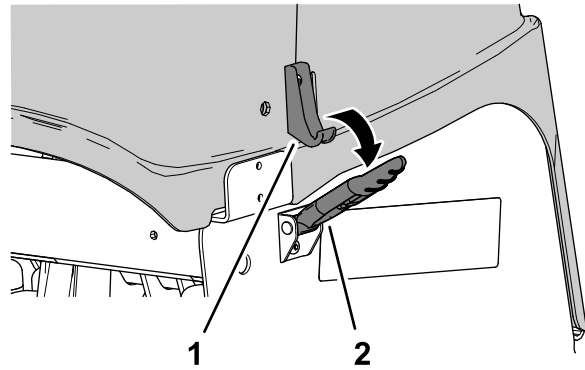


Figure 139

g340153

1. Latch hook
 2. Latch
2. Rotate the lock plate to clear the latch (Figure 138).
 3. Repeat 1 and 2 at the other side of the cover.
 4. Unlatch the coring head cover at the 4 latch location (Figure 137 and Figure 139).
 5. Lift the coring-head cover from the machine (Figure 140).

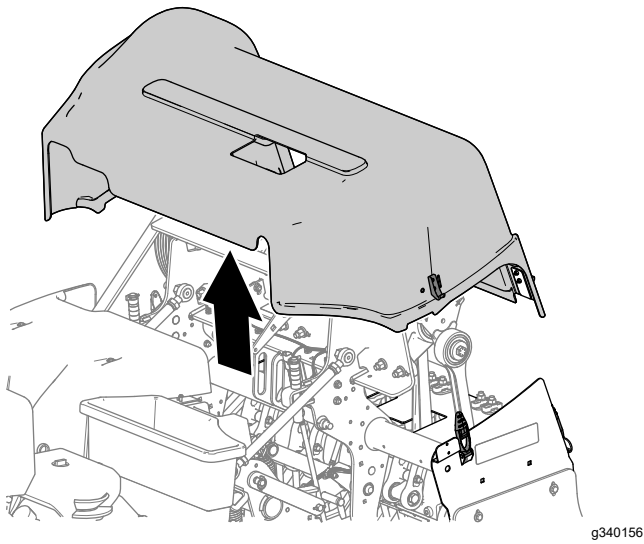
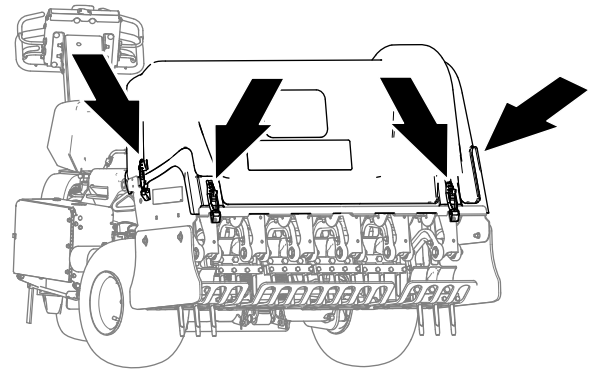
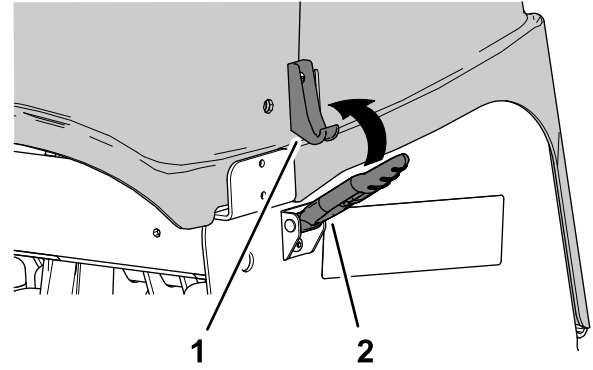


Figure 140



g340151



g340152

Figure 142

1. Latch hook
2. Latch

Installing the Coring-Head Cover

1. Align the coring-head cover to the machine as shown in [Figure 141](#).

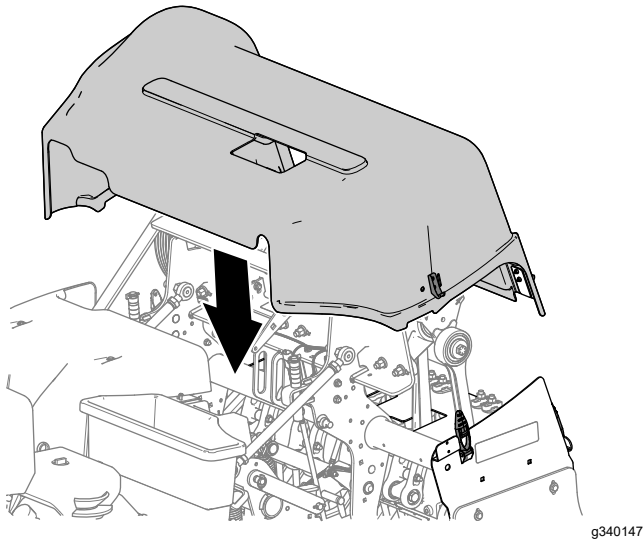
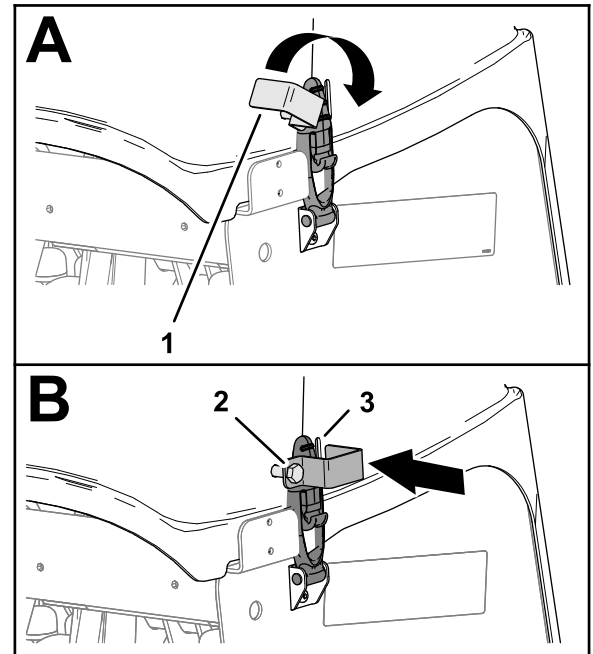


Figure 141

g340147

2. Latch the coring head cover at the 4 latch location ([Figure 142](#)).
3. If you machine has CE latch locks, rotate the lock plate until it aligns with the slot in the side of the coring-head cover ([Figure 143](#)).



g340157

Figure 143

1. Lock plate
2. Lock-plate bolt
3. Slot (coring-head cover)

4. Tighten the lock-plate bolt ([Figure 143](#)).
5. Repeat steps [3](#) and [4](#) at the other side of the cover.

Lubrication

Checking the Coring Head Bearings

Service Interval: Yearly—Check the coring head bearings.

Every 500 hours—Inspect the coring head bearings, if needed, replace.

The machine has no grease fittings that must be lubricated.

Important: Bearings rarely fail from defects in materials or workmanship. The most common reason for failure is moisture and contamination working its way past the protective seals. Bearings that are greased rely upon regular maintenance to purge harmful debris from the bearing area. Sealed bearings rely on an initial fill of special grease and a robust integral seal to keep contaminants and moisture out of the rolling elements.

The sealed bearings require no lubrication or short term maintenance. This minimizes routine service required and reduces the potential of turf damage due to grease contamination. These sealed bearing packages provide good performance and life under normal use, but periodic inspections of bearing condition and seal integrity should be conducted to avoid downtime. Inspect the bearings seasonally and replace them if they are damaged or worn. Bearings should operate smoothly with no detrimental characteristics such as high heat, noise, looseness, or rust weeping.

Due to the operating conditions these bearing/seal packages are subject to (e.g., sand, turf chemicals, water, impacts, etc.) they are considered normal wear items. Bearings that fail due to causes other than defects in materials or workmanship are typically not covered under warranty.

Note: You can negatively affect bearing by using improper wash down procedures. Do not wash down the machine when it is still hot and avoid directing high-pressure or high volume spray at the bearings.

It is common for new bearings to purge some grease out the seals on a new machine. This purged grease turns black in color due to collection of debris and not due to excessive heat. It is good practice to wipe this excess grease from the seals after the initial 8 hours. There may always appear to be a wet area around the seal lip. This is not detrimental to bearing life, and keeps the seal lip lubricated.

Engine Maintenance

Engine Safety

- Shut off the engine before checking the oil or adding oil to the crankcase.
- Do not change the governor speed or overspeed the engine.

Servicing the Air Cleaner

Service Interval: Every 25 hours—Clean the foam air filter element and check the paper element for damage.

Every 100 hours—Replace the paper air filter element.

Removing the Filters

1. Prepare the machine for maintenance refer to [Preparing the Machine for Maintenance \(page 64\)](#).
2. Clean around the air cleaner to prevent dirt from getting into the engine and causing damage.
3. Unscrew the knob and remove the air-cleaner cover ([Figure 144](#)).

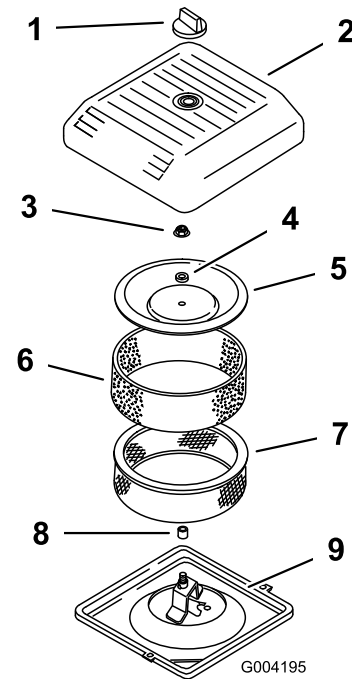


Figure 144

- | | |
|----------------------|---------------------|
| 1. Knob | 6. Foam pre-filter |
| 2. Air-cleaner cover | 7. Paper filter |
| 3. Cover nut | 8. Rubber seal |
| 4. Spacer | 9. Air-cleaner base |
| 5. Cover | |

g004195

- Carefully slide the foam pre-filter off the paper element (Figure 144).
- Unscrew the cover nut and remove the cover, spacer, and paper filter (Figure 144).

Cleaning the Foam Pre-Filter

Important: Replace the foam element if it is torn or worn.

- Wash the foam pre-filter in liquid soap and warm water. When clean, rinse it thoroughly.
- Dry the pre-filter by squeezing it in a clean cloth (do not wring).
- Put 3 to 6 cl (1 to 2 fl oz) of oil on the pre-filter (Figure 145).

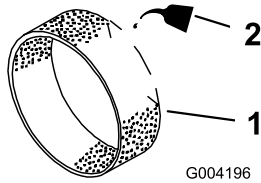


Figure 145

- Foam element
- Oil

- Squeeze the pre-filter to distribute the oil.
- Inspect the paper filter for tears, an oily film, and damage to the rubber seal (Figure 146).

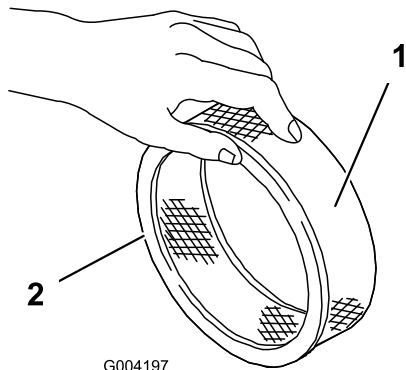


Figure 146

- Paper element
- Rubber seal

Important: Never clean the paper element. Replace the paper element if it is dirty or damaged.

Installing the Filters

Important: To prevent engine damage, always operate the engine with the complete foam and paper air cleaner assembly installed.

- Carefully slide the foam pre-filter onto the paper filter (Figure 147).

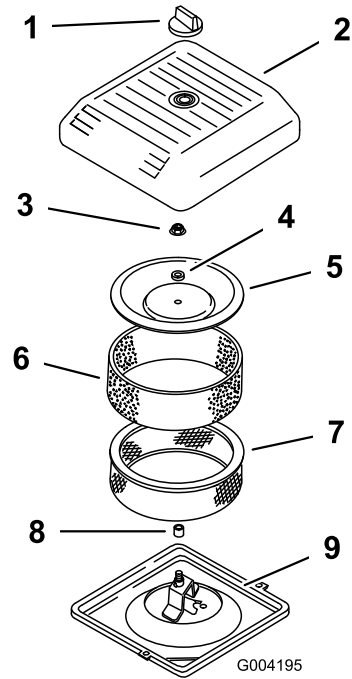


Figure 147

- Knob
- Air-cleaner cover
- Cover nut
- Spacer
- Cover
- Foam pre-filter
- Paper filter
- Rubber seal
- Air-cleaner base

- Place the air cleaner assembly onto the air cleaner base.
- Assemble the cover, spacer, and cover nut.
- Torque the nut to 11 N·m (95 in-lb).
- Install the air cleaner cover and secure with the knob.

Engine Oil Specification

Oil Type: High-quality, detergent engine oil API service SJ or higher

Oil viscosity: Refer to the table below that follows:

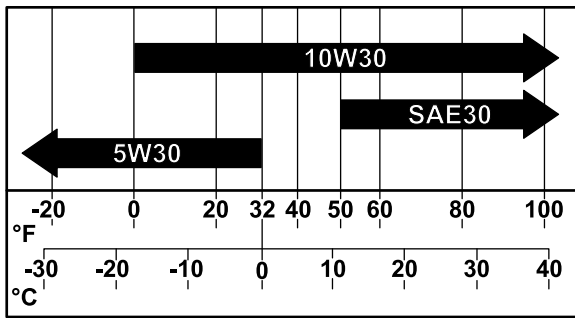


Figure 148

g341978

Checking the Engine-Oil Level

Service Interval: Before each use or daily

The engine is shipped with oil in the crankcase; however, check the oil level before and after the engine is first started.

Use high-quality engine oil as described in [Engine Oil Specification \(page 70\)](#).

Important: Do not overfill the crankcase with oil. Do not run the engine with the engine-oil level below the low mark.

Note: The best time to check the engine oil is when the engine is cool before it has been started for the day. If it has already been run, allow the oil to drain back down to the sump for at least 10 minutes before checking.

1. Prepare the machine for maintenance refer to [Preparing the Machine for Maintenance \(page 64\)](#).
2. Allow the engine to cool.
3. Clean around the oil-fill cap and dipstick ([Figure 149](#)).

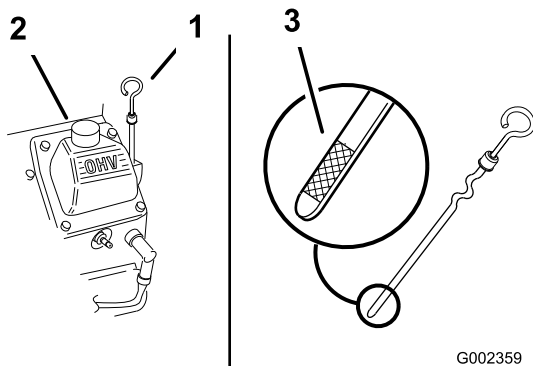


Figure 149

G002359

g002359

1. Dipstick
2. Oil-fill cap (valve cover)
3. Dipstick oil-level marking

4. Remove the dipstick, wipe it clean, and install until it is fully seated.
5. Remove the dipstick and check the oil level.
The engine-oil level should be between the “F” full and “L” low marks on the dipstick.
6. If the oil level is below the “L” low mark, remove the oil-fill cap and add the specified oil until the level reaches the “F” full mark on the dipstick.
7. Install the oil-fill cap and dipstick.

Changing the Engine Oil and Filter

Draining the Engine Oil

Service Interval: After the first 50 hours

Every 100 hours—Change the engine oil and filter.

Crankcase capacity: approximately 1.9 L (2.0 US qt) with the filter.

1. Start the engine and let it run for 5 minutes. This warms the oil so that it drains better.
2. Park the machine so that the drain side is slightly lower than the opposite side to ensure that the oil drains completely, shut off the engine, fully raise and latch the handlebar to engage the parking brake, and remove the key.
3. Place a pan below the oil-drain plug, and remove the plug ([Figure 150](#)).

Note: Allow the oil to fully drain.

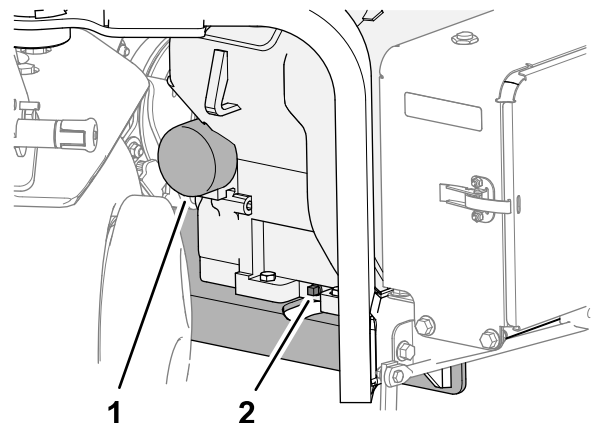


Figure 150

g341500

1. Oil filter
2. Oil-drain plug

4. Thread the oil-drain plug into the engine, and tighten the plug.

Note: Discard the used oil at a certified recycling center.

Changing the Oil Filter

1. Place a shallow pan under the oil filter, and remove the filter (Figure 150).
- Note:** Discard the used oil filter at a certified recycling center.
2. Wipe clean the surface of the filter adapter.
3. Fill the new oil filter to bottom of the threads with the specified oil.
4. Allow the filter to absorb the oil for 2 minutes, then pour out the excess oil.
5. Apply a thin coat of new oil to the gasket on the filter.
6. Thread the oil filter onto the filter adapter until the gasket contacts the filter adapter (Figure 150), then tighten the filter an additional 1/2 turn.

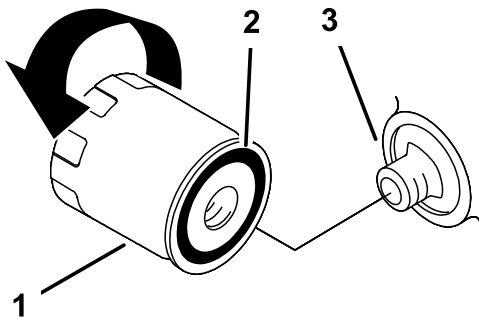


Figure 151

g361505

1. Oil filter
2. Gasket
3. Adapter

Adding Engine Oil

1. Clean the area around the oil-fill cap and dipstick (Figure 152).

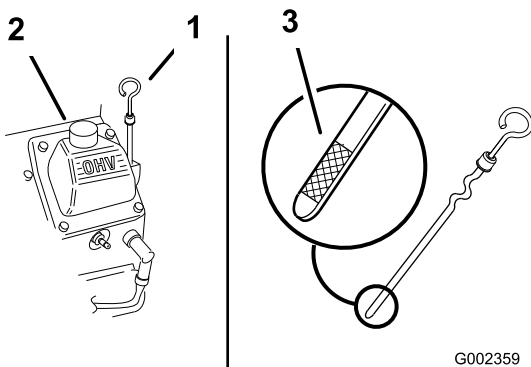


Figure 152

G002359

g002359

1. Dipstick
2. Oil-fill cap (valve cover)
3. Dipstick oil-level marking

2. Remove the oil-fill cap and slowly pour approximately 80% of the specified amount of oil in through the valve cover.

3. Slowly add additional oil to bring the level to the F (full) mark on the dipstick; refer to [Engine Oil Specification \(page 70\)](#) and [Checking the Engine-Oil Level \(page 71\)](#).

Important: Do not overfill the crankcase with oil.

4. Install the oil-fill cap and dipstick.

Servicing the Spark Plugs

Service Interval: Every 200 hours—Check the spark plugs.

Removing the Spark Plugs

1. Prepare the machine for maintenance refer to [Preparing the Machine for Maintenance \(page 64\)](#).
2. Pull the wires off the spark plugs (Figure 153).

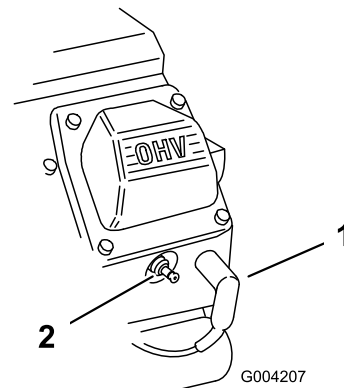


Figure 153

G004207

g004207

1. Spark-plug wire
2. Spark plug

3. Clean around the spark plugs.
4. Use a spark-plug socket to remove both spark plugs and metal gaskets.

Checking the Spark Plugs

Spark-plug type: Champion RC12YC or equivalent

Air Gap: 0.75 mm (0.03 inch)

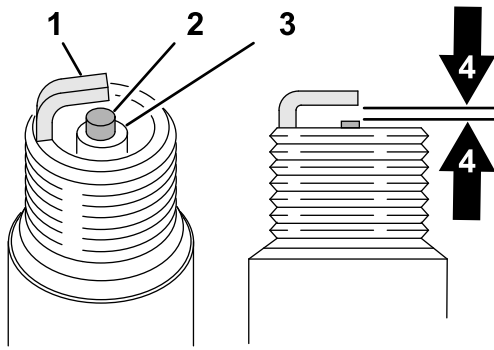
1. Look at the center of both spark plugs (Figure 154). If you see light brown or gray on the insulator, the engine is operating properly. A black coating on the insulator usually means the air cleaner is dirty.

Important: Never clean the spark plugs. Always replace the spark plugs when they have a black coating, worn electrodes, an oily film, or cracks.

Cleaning the Engine Screen

Service Interval: Before each use or daily (Clean more frequently in dirty operating conditions.)

Before each use, check and clean the engine screen. Remove any buildup of grass, dirt, or other debris from the engine air intake screen.



g326888

Figure 154

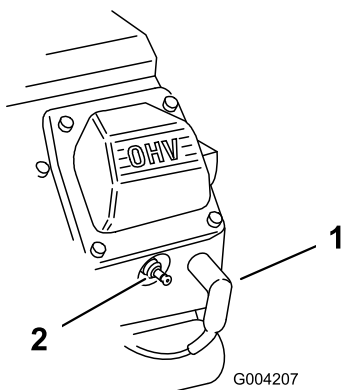
1. Side electrode
2. Center electrode
3. Insulator
4. 0.75 mm (0.03 inch) air gap (graphic not to scale)

2. Check the gap between the center and side electrodes.
3. Bend the side electrode if the gap is not correct.

Installing the Spark Plugs

Ensure that the air gap between the center and side electrodes is correct before installing each spark plug. Use a spark-plug wrench for removing and installing the spark plugs and a gapping tool/feeler gauge to check and adjust the air gap. Install new spark plugs if necessary.

1. Thread the spark plugs into the spark-plug holes of the engine.
2. Use a spark-plug socket and torque wrench to torque the spark plugs to 27 N·m (20 ft-lb).
3. Assemble the spark-plug wires onto the spark plugs ([Figure 155](#)).



G004207

g004207

Figure 155

1. Spark-plug wire
2. Spark plug

Fuel System Maintenance

▲ DANGER

Under certain conditions, fuel and fuel vapors are highly flammable and explosive. A fire or explosion from fuel can burn you and others and can cause property damage.

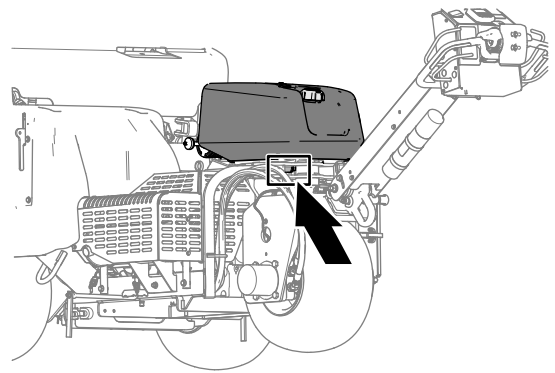
- Fill the fuel tank outdoors, in an open area, when the engine is off and is cold. Wipe up any fuel that spills.
- Do not fill the fuel tank completely full. Add fuel to the fuel tank until the level is 25 mm (1 inch) below the top of the tank, not the filler neck. This empty space in the tank allows the fuel to expand.
- Never smoke when handling fuel, and stay away from an open flame or where a spark may ignite fuel fumes.
- Store fuel in a clean, safety-approved container and keep the cap in place.

Replacing the Fuel Filter

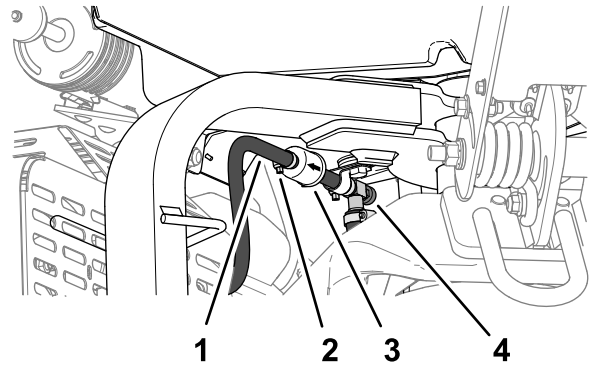
Service Interval: Every 100 hours/Yearly (whichever comes first)

Important: Never install a dirty filter if it is removed from the fuel line.

1. Prepare the machine for maintenance refer to [Preparing the Machine for Maintenance \(page 64\)](#).
2. Close the fuel-shutoff valve ([Figure 156](#)).



g342218



g341497

Figure 156

- | | |
|----------|-----------------------|
| 1. Hose | 3. Filter |
| 2. Clamp | 4. Fuel shutoff valve |

3. Squeeze the ends of the hose clamps together and slide them away from the filter.
4. Remove the filter from the fuel hoses.
5. Align the fuel filter with the arrow pointing toward the engine, and assemble the fuel hose over the filter fittings.
6. Position the hose clamps close to the fuel filter, and tighten the clamp.
7. Wipe up any spilled fuel.
8. Open the fuel-shutoff valve.

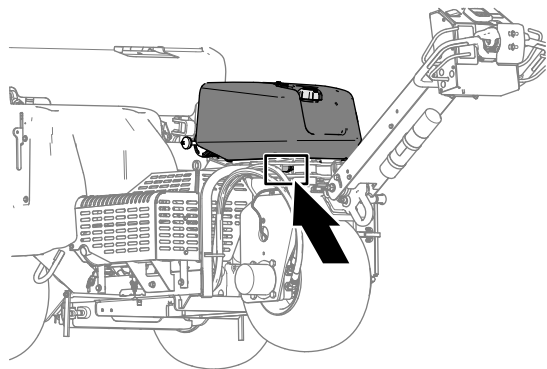
Draining the Fuel Tank

▲ DANGER

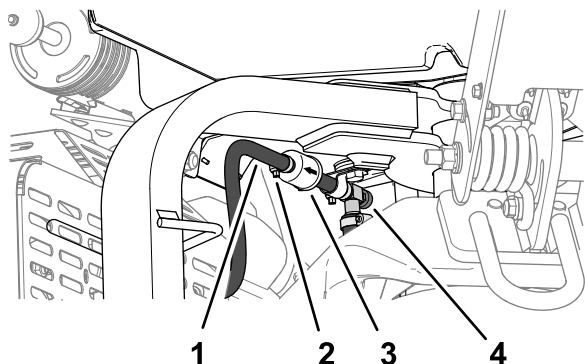
In certain conditions, fuel is extremely flammable and highly explosive. A fire or explosion from fuel can burn you and others and can damage property.

- Drain fuel from the fuel tank when the engine is cold. Do this outdoors in an open area. Wipe up any fuel that spills.
- Never smoke when draining fuel, and stay away from an open flame or where a spark may ignite the fuel fumes.

1. Prepare the machine for maintenance refer to [Preparing the Machine for Maintenance \(page 64\)](#).
2. Close the fuel-shutoff valve ([Figure 157](#)).



g342218



g341497

Figure 157

- | | |
|----------|-----------------------|
| 1. Hose | 3. Filter |
| 2. Clamp | 4. Fuel shutoff valve |

3. Loosen the hose clamp at the fuel filter and slide it up the fuel line away from the fuel filter.
4. Pull the fuel line off the fuel filter.
5. Open the fuel-shutoff valve and allow fuel to drain into a fuel can or drain pan.

Note: Now is the best time to install a new fuel filter because the fuel tank is empty.

6. Assemble the fuel hose over the filter fitting.
7. Position the hose clamp close to the fuel filter, and tighten the clamp.

Electrical System Maintenance

Electrical System Safety

- Disconnect the battery before repairing the machine. Disconnect the negative terminal first and the positive last. Connect the positive terminal first and the negative last.
- Charge the battery in an open, well-ventilated area, away from sparks and flames. Unplug the charger before connecting or disconnecting the battery.
- Wear protective clothing and use insulated tools.

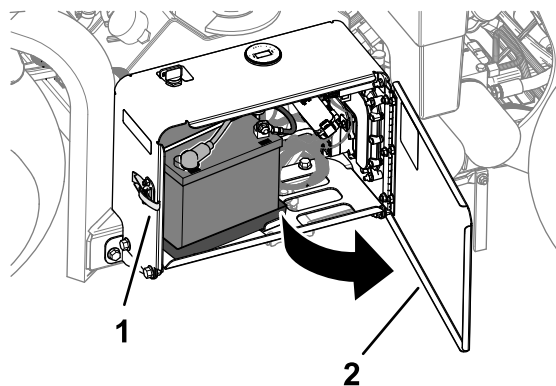
Servicing the Battery

Cleaning the Battery

Service Interval: Yearly—Check the battery cable connections.

Keep the top of the battery clean.

1. Unlatch and open the battery-compartment door ([Figure 158](#)).



g338268

Figure 158

- | | |
|----------|-----------------------------|
| 1. Latch | 2. Battery-compartment door |
|----------|-----------------------------|

2. Clean the top of the battery with a brush dipped in ammonia or bicarbonate of soda solution.

Important: Do not remove the fill caps while cleaning.

3. Thoroughly flush the surface of the battery and battery compartment with clean water.
4. Close and latch the battery-compartment door.

Checking the Battery Connections

Service Interval: Yearly—Check the battery cable connections.

⚠ WARNING

Battery terminals or metal tools could short against metal tractor components, causing sparks. Sparks can cause the battery gasses to explode, resulting in personal injury.

- When removing or installing the battery, do not allow the battery terminals to touch any metal parts of the machine.
- Do not allow metal tools to short between the battery terminals and metal parts of the machine.

⚠ WARNING

Incorrect battery cable routing could damage the machine and cables causing sparks. Sparks can cause the battery gasses to explode, resulting in personal injury.

- Always *disconnect* the negative (black) battery cable before disconnecting the positive (red) cable.
- Always *connect* the positive (red) battery cable before connecting the negative (black) cable.

1. Unlatch and open the battery-compartment door (Figure 159).

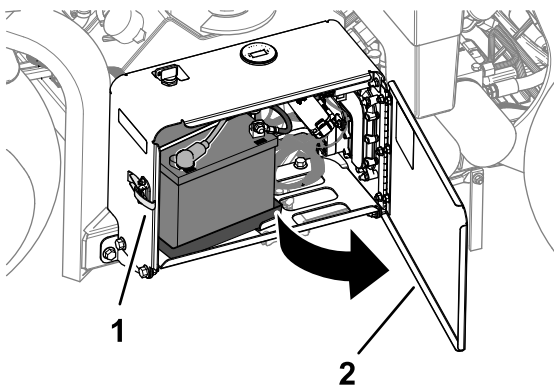


Figure 159

g338268

1. Latch
2. Battery-compartment door

2. Check that the battery-cable clamps are secure. Tighten loose battery-cable clamps hardware.
3. Check the battery-cable clamps and battery terminals for corrosion.
4. If the terminals are corroded, remove the negative battery cable.

5. Remove the positive battery cable.
6. Clean cable clamps and battery terminals.
7. Connect the positive battery cable.
8. Connect the negative battery cable.
9. Coat the cable terminals and battery posts with Grafo 112X skin-over grease (Toro Part No. 505-47).
10. Close and latch the battery-compartment door.

Replacing the Fuses

The electrical system is protected by fuses. If a fuse opens, check the component and wiring for a short circuit to ground.

1. Unlatch and open the battery-compartment door (Figure 160).

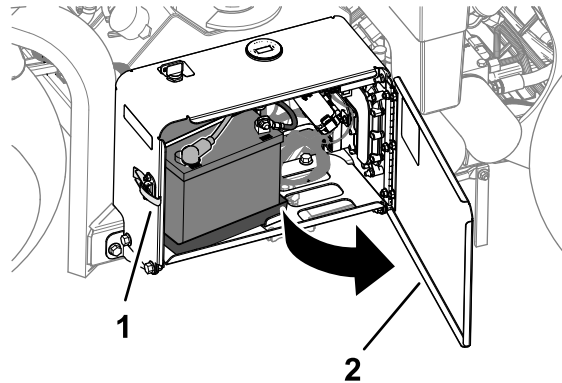


Figure 160

g338268

1. Latch
2. Battery-compartment door

2. Remove the cover from the fuse block (Figure 161).

Note: The fan fuse is located in-line behind the battery (Figure 162).

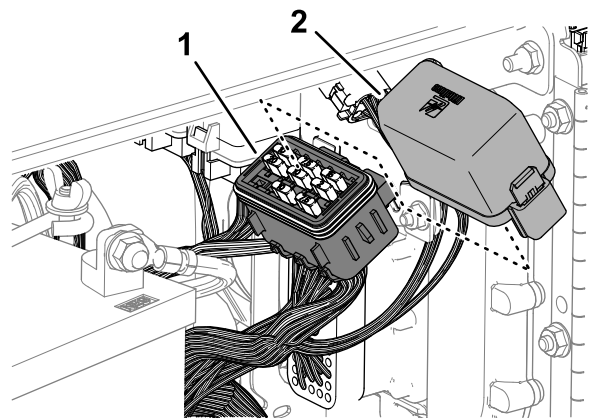


Figure 161

g341421

1. Cover
2. Fuse block

Drive System Maintenance

Checking the Tire Pressure

Service Interval: Every 50 hours/Monthly (whichever comes first)

1. Prepare the machine for maintenance refer to [Preparing the Machine for Maintenance \(page 64\)](#).
2. Check to ensure that the air pressure in all tires is 83 kPa (12 psi). Check the tires when they are cold to get the most accurate pressure reading.

Important: Uneven tire pressure can cause uneven coring depth.

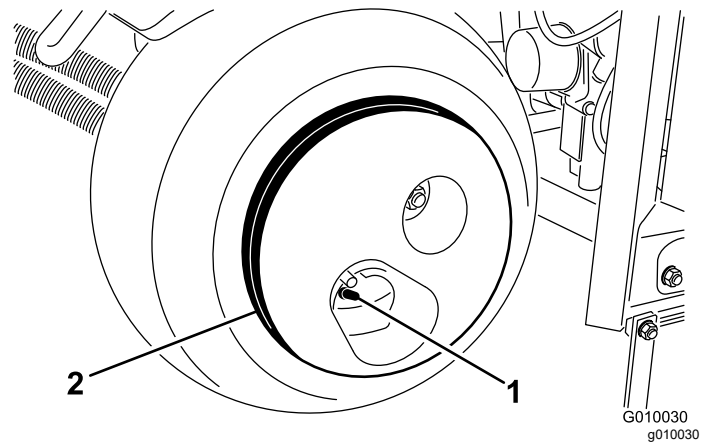


Figure 163

1. Valve stem
2. Wheel weight

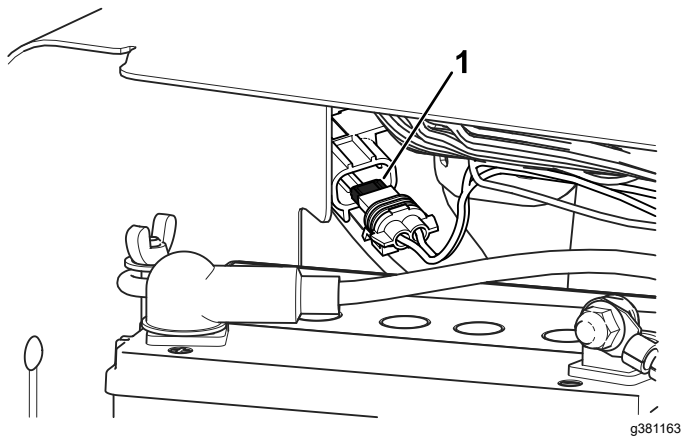


Figure 162

1. In-line fan fuse
3. Remove the open fuse.
4. Install a new fuse of a rated amperage indicated on the fuse block decal.
5. Assemble the cover onto the fuse block (or onto the in-line fan fuse).
6. Close and latch the battery compartment door.

CAUTION

The wheel weight is very heavy, 33 kg (73 lb).

Use caution when removing it from the tire assembly.

Belt Maintenance

Inspecting the Belts

Service Interval: Yearly

The drive belts of the machine are durable. However, the normal exposure to UV radiation, ozone, or incidental exposure to chemicals can deteriorate the rubber over time and lead to premature wear or material loss (i.e., separated or missing belt plies).

1. Remove the belt cover; refer to [Removing the Belt Cover \(page 65\)](#).
2. Inspect the hydraulic-pump, jackshaft, and crankshaft belts ([Figure 164](#)) for damage, wear, excessive cushion cracks, or large embedded debris.

Note: Replace the belt(s) when needed.

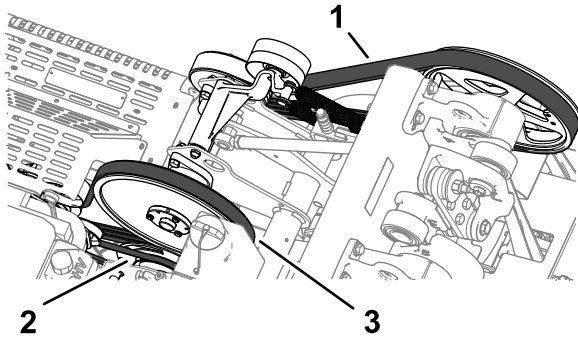
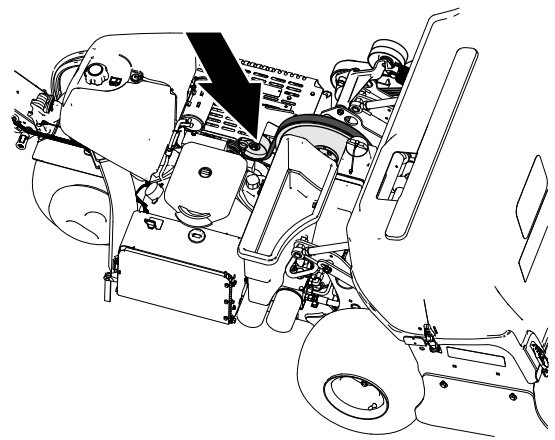


Figure 164

g341466

1. Crankshaft belt
2. Hydraulic-pump belt
3. Jackshaft belt



g341467

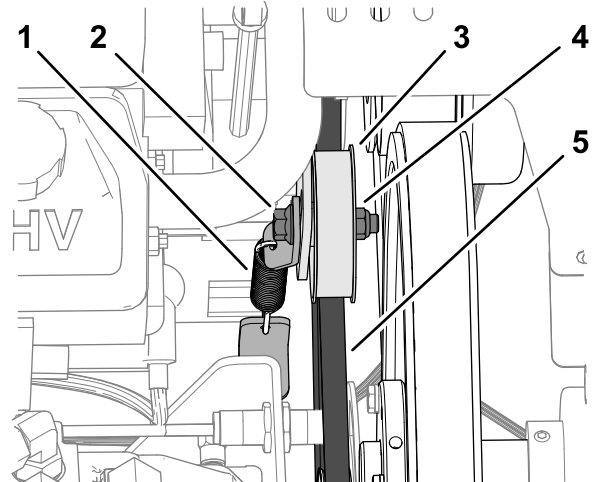


Figure 165

g341468

1. Tensioning spring
2. Flange-head capscrew
3. Idler pulley
4. Flange locknut
5. Hydraulic-pump belt

3. Install the belt cover; refer to [Installing the Belt Cover \(page 66\)](#).

Adjusting the Pump Belt

Service Interval: After the first 8 hours

1. Prepare the machine for maintenance refer to [Preparing the Machine for Maintenance \(page 64\)](#).
2. Remove the belt cover; refer to [Removing the Belt Cover \(page 65\)](#).
3. Loosen the flange-head capscrew and flange locknut that secure the idler pulley for the hydraulic-pump belt, until the bolt moves in the slot of the idler support ([Figure 165](#)).

4. Tap the top of the idler pulley and allow the tensioning spring to adjust the belt tension.

Important: Do not apply more belt tension than the tensioning spring applies, or component damage may result.

5. Torque the flange-head capscrew and flange locknut to 37 to 45 N·m (27 to 33 ft-lb).
6. Install the belt cover; refer to [Installing the Belt Cover \(page 66\)](#).

Hydraulic System Maintenance

Hydraulic System Safety

- Seek immediate medical attention if fluid is injected into skin. Injected fluid must be surgically removed within a few hours by a doctor.
- Ensure that all hydraulic-fluid hoses and lines are in good condition and all hydraulic connections and fittings are tight before applying pressure to the hydraulic system.
- Keep your body and hands away from pinhole leaks or nozzles that eject high-pressure hydraulic fluid.
- Use cardboard or paper to find hydraulic leaks.
- Safely relieve all pressure in the hydraulic system before performing any work on the hydraulic system.

Relieving Hydraulic Pressure

1. Support the coring head with the service latch; refer to [Supporting the Coring Head with the Service Latch \(page 48\)](#).
2. Shut off the engine.
3. Move the ignition switch to the RUN position.
4. In the InfoCenter, navigate to the MAIN MENU.
5. Press the down button until the SERVICE option is selected, then press the select button ([Figure 166](#)).

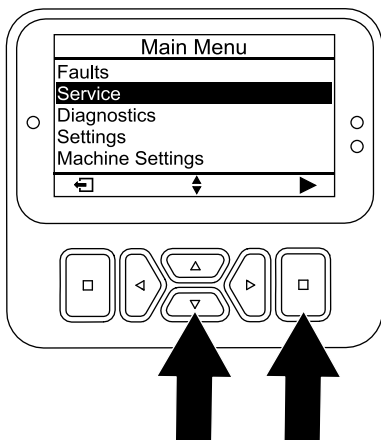


Figure 166

g510196

6. Press the down button until the SERVICE LOWER option is selected, then press the select button ([Figure 167](#)).

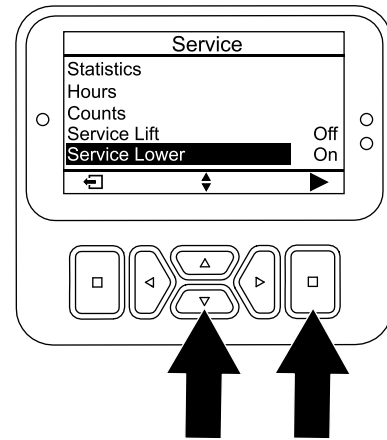


Figure 167

g510208

7. Move the key to the STOP position.

Note: Start the engine and run it to raise the coring head hydraulically so that you can stow the service latch; refer to [Stowing the Service Latch \(page 49\)](#).

Checking the Hydraulic Lines

Service Interval: Before each use or daily

Before each use, check the hydraulic tubes and hoses for leaks, loose fittings, kinked hoses, loose mounting supports, wear, and weather or chemical deterioration. Make replace worn or damaged hydraulic lines before operating the machine.

Note: Keep the areas around the hydraulic system clean from debris buildup.

Note: The coring head lowers until it is fully supported by the service latch.

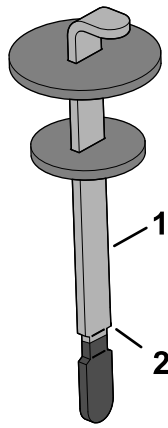


Figure 169

g340188

1. Dipstick
2. Full mark

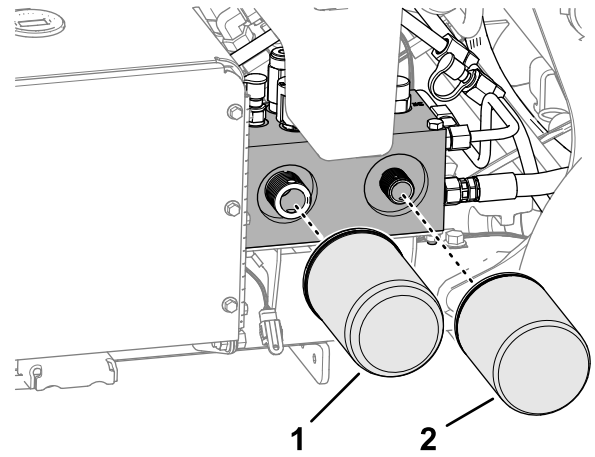


Figure 170

g340149

1. Hydraulic charge filter
2. Hydraulic return filter

5. If the level is low, add the specified hydraulic fluid to raise the level to the full mark.
6. Install the dipstick and cap onto the filler neck.
7. Install the belt cover; refer to [Installing the Belt Cover \(page 66\)](#).

Changing the Hydraulic Fluid and Filters

Service Interval: Every 400 hours

Every 200 hours

Hydraulic reservoir capacity: approximately 6.6 L (1.75 US gallons)

Important: Do not substitute automotive oil filters or severe hydraulic system damage may result.

Note: Removing the return filter drains the entire fluid reservoir.

1. Prepare the machine for maintenance refer to [Preparing the Machine for Maintenance \(page 64\)](#).
2. Place a drain pan under the filters, remove the old filters, and wipe the filter adapter gasket surface clean ([Figure 170](#)).

3. Apply a thin coat of clean hydraulic fluid to the gasket on the new filters.
4. Install the hydraulic filters onto the filter adapters. Turn each filter clockwise until the gasket contacts the filter adapter, then tighten each an additional 1/2 turn.
5. Add the specified hydraulic fluid until the fluid level is at the Full mark on the dipstick, refer to [Hydraulic Fluid Specifications \(page 80\)](#) and [Checking the Hydraulic-Fluid Level \(page 80\)](#).
6. Start the engine and run it for 2 minutes to purge air from the system. Shut off the engine, remove the key, and check for hydraulic-fluid leaks.
7. Check the hydraulic fluid level. Add the specified hydraulic fluid to raise the level to the FULL mark on the dipstick, if required.

Note: Do not overfill the hydraulic reservoir with fluid.

8. Install the belt cover; refer to [Installing the Belt Cover \(page 66\)](#).

Aerator Maintenance

Checking the Fastener Torque

Service Interval: After the first 8 hours

Every 250 hours

1. Prepare the machine for maintenance refer to [Preparing the Machine for Maintenance \(page 64\)](#).
2. Remove the coring-head cover; refer to [Removing the Coring-Head Cover \(page 67\)](#).
3. Check the coring head fasteners, tiller handle fasteners, and wheel lug nuts to ensure that the proper torque is maintained. Fastener torque requirements are listed on the bolt torque decal located on the coring head support channel ([Figure 171](#)).

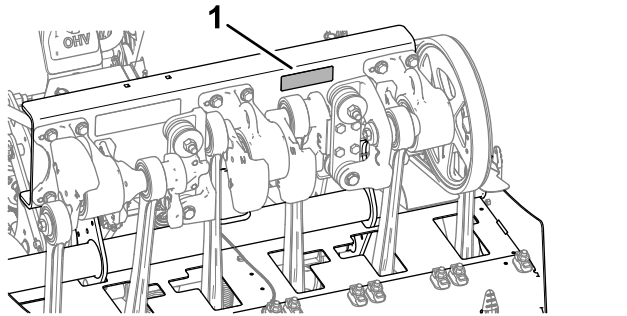


Figure 171

1. Bolt torque decal location

-
4. Install the coring-head cover; refer to [Installing the Coring-Head Cover \(page 68\)](#).

Adjusting the Side Shields

1. Prepare the machine for maintenance refer to [Preparing the Machine for Maintenance \(page 64\)](#).
2. Loosen the capscrews and flange locknuts that secure the side shield to coring-head frame ([Figure 172](#)).

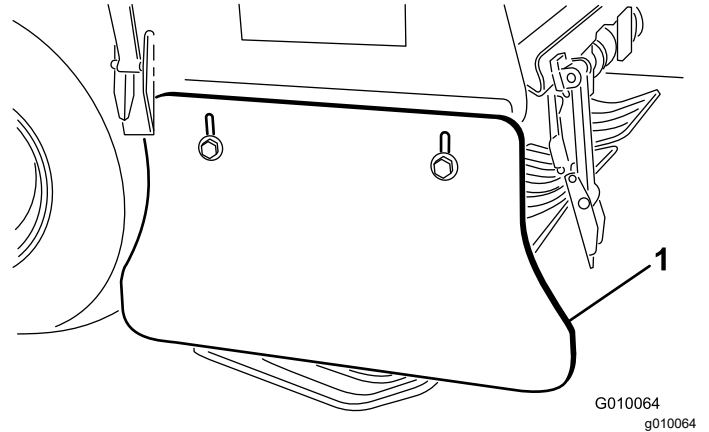


Figure 172

1. Side shield

-
3. Adjust the shield up or down until you measure a 25 to 38 mm (1 to 1.5 inches) between the shield and the ground.
 4. Tighten the capscrews and flange locknuts.
 5. Repeat steps 2 through 4 at the other side of the machine.

Replacing the Turf Guards

Replace turf guards if they are broken, or worn to less than 6 mm (1/4 inch) thickness. Broken turf guards can catch and tear the turf, damaging it.

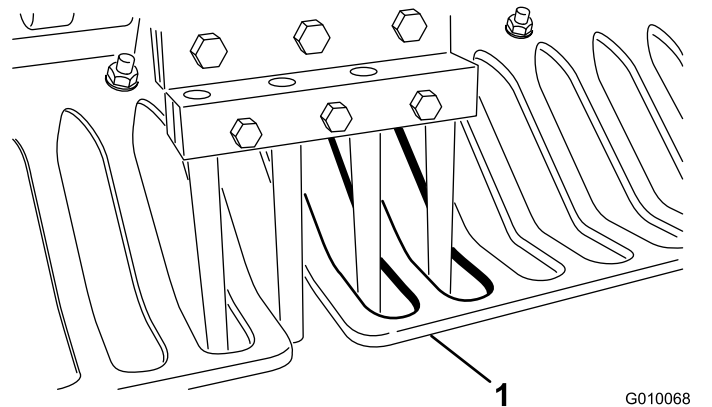


Figure 173

1. Turf guard

Coring Head Timing

The coring head timing marks are easily identified by the cast-in marks on the 3 bearing housings.

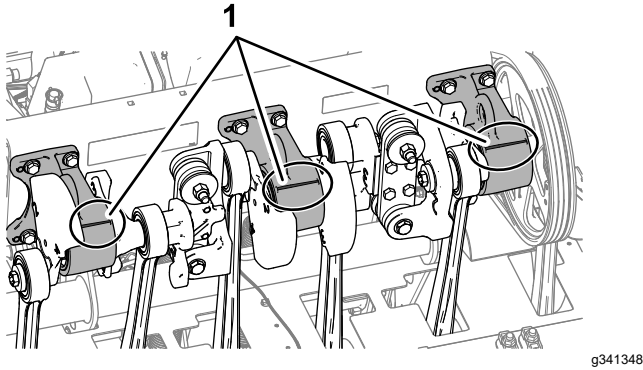


Figure 174

g341348

1. Timing marks

Storage

Storage Safety

- Before you leave the operator's position, do the following:
 - Park the machine on a level surface.
 - Fully raise and latch the handlebar to engage the parking brake.
 - Shut off the engine and remove the key (if equipped).
 - Wait for all movement to stop.
 - Allow the machine to cool before adjusting, servicing, cleaning, or storing it.
- Do not store the machine or fuel container where there is an open flame, spark, or pilot light, such as on a water heater or other appliance.

Storing the Machine for less than 30 days

⚠ WARNING

Charging the battery produces gasses that can explode.

Never smoke near the battery and keep sparks and flames away from it.

1. Prepare the machine for maintenance refer to [Preparing the Machine for Maintenance \(page 64\)](#).
2. Disconnect the spark-plug wire.
3. Remove grass, dirt, and grime from the external parts of the entire machine, especially the engine and the hydraulic system. Clean dirt and chaff from the outside of the cylinder-head fins of the engine and blower housing.
4. Service the air cleaner; refer to [Servicing the Air Cleaner \(page 69\)](#).
5. Change the engine oil; refer to [Changing the Engine Oil and Filter \(page 71\)](#).
6. Change the hydraulic filters and fluid, refer to [Changing the Hydraulic Fluid and Filters \(page 81\)](#).
7. Check the tire pressure; refer to [Checking the Tire Pressure \(page 77\)](#).
8. Check the condition of the tines.

Storing the Machine for the Season

If you are storing the machine for the season, Perform all the steps in [Storing the Machine for less than 30 days \(page 83\)](#) and the following:

- [Preparing the Chassis \(page 84\)](#)
- [Storing the Machine for less than 30 days \(page 83\)](#)
- [Preparing the Battery \(page 84\)](#)

Preparing the Chassis

1. Check and tighten all bolts, nuts, and screws. Repair or replace any part that is damaged or worn.
2. Wash and dry the entire machine. Remove the tines, and clean and oil them. Spray light oil mist on coring head bearings (crank and damper links).

Important: You can wash the machine with mild detergent and water. Do not pressure-wash the machine. Avoid excessive use of water, especially near the control panel, engine, hydraulic pumps, and motors.

Note: Run the machine with the engine at high idle for 2 to 5 minutes after washing.

3. Paint all scratched or bare metal surfaces. Paint is available from your authorized Toro distributor.
4. Secure service latch if the machine is to be stored for more than a couple of days.
5. Store the machine in a clean, dry garage or storage area. Remove the key from the ignition switch and keep it out of reach of children or other unauthorized users.
6. Cover the machine to protect it and keep it clean.

Preparing the Engine and Fuel System

1. Add a petroleum-based stabilizer/conditioner to fuel in the tank. Follow mixing instructions from stabilizer manufacture. **Do not use an alcohol-based stabilizer (ethanol or methanol).**

Note: A fuel stabilizer/conditioner is most effective when mixed with fresh fuel and is always used.

Important: Do not store fuel containing stabilizer/conditioner longer than the

duration recommended by the fuel-stabilizer manufacturer.

2. Run the engine to distribute conditioned fuel through the fuel system for 5 minutes.
3. Shut off the engine, allow it to cool, and drain the fuel tank; refer to [Draining the Fuel Tank \(page 74\)](#).
4. Start the engine and run it until it shuts off.
5. Choke the engine. Start and run the engine until it does not start.
6. Remove the spark plugs and check the condition; refer to [Servicing the Spark Plugs \(page 72\)](#). With the spark plugs removed from the engine, pour 2 tablespoons of engine oil into each spark plug hole. Now use the starter to crank the engine and distribute the oil inside the cylinders. Install the spark plugs. Do not install the wires on the spark plugs.

Note: Dispose of fuel properly. Recycle it according to local codes.

Preparing the Battery

1. Remove the battery terminals from the battery posts and remove the battery from the machine.
2. Clean the battery, terminals, and posts with a wire brush and baking soda solution.
3. Coat the cable terminals and battery posts with Grafo 112X skin-over grease (Toro Part No. 505-47) or petroleum jelly to prevent corrosion.
4. Slowly recharge the battery every 60 days for 24 hours to prevent lead sulfation of the battery. To prevent the battery from freezing, make sure it is fully charged. The specific gravity of a fully charged battery is 1.265 to 1.299.
5. Either store the battery on the shelf or on the machine. Leave the cables disconnected if it is stored on the machine. Store it in a cool atmosphere to avoid quick deterioration of the charge in the battery.

Troubleshooting

Problem	Possible Cause	Corrective Action
The starter does not crank.	<ol style="list-style-type: none"> 1. The aeration bail is engaged. 2. The battery is discharged. 3. The electrical connections are corroded or loose. 4. The operator-presence bail switch is incorrectly adjusted. 5. A relay or switch is malfunctioning. 6. The operator-presence bail is engaged. 7. The main fuse is open. 	<ol style="list-style-type: none"> 1. Verify that the aeration bail and operator-presence bail are not closed. 2. Charge the battery. 3. Check the electrical connections for good contact. 4. Check/adjust the switch. 5. Contact your authorized Toro distributor. 6. Contact your authorized Toro distributor. 7. Replace the fuse.
The engine does not start, starts hard, or fails to keep running.	<ol style="list-style-type: none"> 1. The fuel tank is empty. 2. The choke is not on. 3. The air cleaner is dirty. 4. The spark-plug wires are loose or disconnected. 5. The spark plugs are pitted, fouled or the gap is incorrect. 6. There is dirt in the fuel filter. 7. There is dirt, water, or stale fuel in the fuel system. 	<ol style="list-style-type: none"> 1. Fill the fuel tank with fuel. 2. Move the choke lever fully forward. 3. Clean or replace air-cleaner element. 4. Install the wires on the spark plugs. 5. Install new, correctly gapped spark plugs. 6. Replace the fuel filter. 7. Contact your authorized the manufacturer distributor.
The engine loses power.	<ol style="list-style-type: none"> 1. The engine load is excessive. 2. The air cleaner is dirty. 3. The engine-oil level is low. 4. The cooling fins and air passages under the engine blower housing are plugged. 5. The spark plugs are pitted, fouled, or the gap is incorrect. 6. There is dirt in the fuel filter. 7. There is dirt, water, or stale fuel in the fuel system. 	<ol style="list-style-type: none"> 1. Reduce the ground speed. 2. Clean the air-cleaner element. 3. Add oil to the crankcase. 4. Remove any debris from the cooling fins and air passages. 5. Install new, correctly gapped spark plugs. 6. Replace the fuel filter. 7. Contact your authorized Toro distributor.
The engine overheats.	<ol style="list-style-type: none"> 1. The engine load is excessive. 2. The engine-oil level is low. 3. The cooling fins and air passages under engine blower housing are plugged. 	<ol style="list-style-type: none"> 1. Reduce the ground speed. 2. Add oil to the crankcase. 3. Remove any debris from the cooling fins and air passages.
There is abnormal vibration.	<ol style="list-style-type: none"> 1. The engine mounting bolts are loose. 2. The jackshaft or coring head bearings are worn. 3. The jackshaft or coring head components are loose or worn. 	<ol style="list-style-type: none"> 1. Tighten the engine mounting bolts. 2. Replace the bearings. 3.

Problem	Possible Cause	Corrective Action
The machine does not drive.	<ol style="list-style-type: none"> 1. The handlebar is raised and the parking brake is engaged. 2. The hydraulic-fluid level is low. 3. The tow valve is open. 4. The hydraulic system is damaged. 5. An operator presence fault or other fault is present. 6. The pump belt is worn or misadjusted 	<ol style="list-style-type: none"> 1. Lower the handlebar to disengage the parking brake. 2. Add hydraulic fluid. 3. Close the tow valve. 4. Contact your authorized Toro distributor. 5. Check for InfoCenter fault codes. 6. Replace a worn pump belt or adjust belt tension.
The coring head does not drive.	<ol style="list-style-type: none"> 1. A belt is worn or loose. 2. The clutch is worn. 3. A switch or relay is worn. 	<ol style="list-style-type: none"> 1. Adjust or replace the belts. 2. Replace the clutch. 3. Replace the switch or relay.
The head bounces while aerating.	<ol style="list-style-type: none"> 1. The ground is too hard. 2. There is an issue with the relief setting. 	<ol style="list-style-type: none"> 1. Refer to Operating Tips. 2. There is a dynamic response of the lift system. Adjust the system pressures; refer to the <i>Service Manual</i>.
The turf is tufting/tearing on entrance.	<ol style="list-style-type: none"> 1. Ground calibration is no longer valid. 2. The turf does not support the installed tine quantity or selected tine spacing. 3. The clutch cannot start the coring head quick enough in immediate-drop mode. 	<ol style="list-style-type: none"> 1. Calibrate the tine ground height. 2. Adjust the tine quantity or diameter, adjust the hole spacing, and review Operating Tips. 3. Inspect clutch for wear or damage. Aerate using the delay-drop mode.
There is hole tufting with side eject tines.	<ol style="list-style-type: none"> 1. The ejection window is catching on exit. 	<ol style="list-style-type: none"> 1. Rotate the tine 45° to 90° so that it ejects out the side. If that does not work, try a hollow tine.
The turf is lifting/tearing while aerating.	<ol style="list-style-type: none"> 1. Check the coring head attitude. 2. The tine diameter, spacing, or quantity is incorrect for the application. 3. The depth is excessive. 4. The hole spacing is too close. 5. The turf conditions (i.e., root structure) are insufficient to resist damage. 	<ol style="list-style-type: none"> 1. Refer to the <i>Service Manual</i> for specification. 2. Reduce the tine diameter, reduce the number of tines per head, or increase the hole spacing. 3. Reduce the depth. 4. Increase the hole spacing. 5. Alter the aeration methods or timing.
The front of the hole is dimpled or pushed.	<ol style="list-style-type: none"> 1. Roto-Link is in the soft position. 	<ol style="list-style-type: none"> 1. Refer to Operating Tips.

Notes:

California Proposition 65 Warning Information

What is this warning?

You may see a product for sale that has a warning label like the following:



WARNING: Cancer and Reproductive Harm—www.p65Warnings.ca.gov.

What is Prop 65?

Prop 65 applies to any company operating in California, selling products in California, or manufacturing products that may be sold in or brought into California. It mandates that the Governor of California maintain and publish a list of chemicals known to cause cancer, birth defects, and/or other reproductive harm. The list, which is updated annually, includes hundreds of chemicals found in many everyday items. The purpose of Prop 65 is to inform the public about exposure to these chemicals.

Prop 65 does not ban the sale of products containing these chemicals but instead requires warnings on any product, product packaging, or literature with the product. Moreover, a Prop 65 warning does not mean that a product is in violation of any product safety standards or requirements. In fact, the California government has clarified that a Prop 65 warning "is not the same as a regulatory decision that a product is 'safe' or 'unsafe.'" Many of these chemicals have been used in everyday products for years without documented harm. For more information, go to <https://oag.ca.gov/prop65/faqs-view-all>.

A Prop 65 warning means that a company has either (1) evaluated the exposure and has concluded that it exceeds the "no significant risk level"; or (2) has chosen to provide a warning based on its understanding about the presence of a listed chemical without attempting to evaluate the exposure.

Does this law apply everywhere?

Prop 65 warnings are required under California law only. These warnings are seen throughout California in a wide range of settings, including but not limited to restaurants, grocery stores, hotels, schools, and hospitals, and on a wide variety of products. Additionally, some online and mail order retailers provide Prop 65 warnings on their websites or in catalogs.

How do the California warnings compare to federal limits?

Prop 65 standards are often more stringent than federal and international standards. There are various substances that require a Prop 65 warning at levels that are far lower than federal action limits. For example, the Prop 65 standard for warnings for lead is 0.5 µg/day, which is well below the federal and international standards.

Why don't all similar products carry the warning?

- Products sold in California require Prop 65 labelling while similar products sold elsewhere do not.
- A company involved in a Prop 65 lawsuit reaching a settlement may be required to use Prop 65 warnings for its products, but other companies making similar products may have no such requirement.
- The enforcement of Prop 65 is inconsistent.
- Companies may elect not to provide warnings because they conclude that they are not required to do so under Prop 65; a lack of warnings for a product does not mean that the product is free of listed chemicals at similar levels.

Why does Toro include this warning?

Toro has chosen to provide consumers with as much information as possible so that they can make informed decisions about the products they buy and use. Toro provides warnings in certain cases based on its knowledge of the presence of one or more listed chemicals without evaluating the level of exposure, as not all the listed chemicals provide exposure limit requirements. While the exposure from Toro products may be negligible or well within the "no significant risk" range, out of an abundance of caution, Toro has elected to provide the Prop 65 warnings. Moreover, if Toro does not provide these warnings, it could be sued by the State of California or by private parties seeking to enforce Prop 65 and subject to substantial penalties.