



Count on it.

Parts Catalog

Sand Pro® 2040Z

Traction Unit

Model No. 08706—Serial No. 415200000 and Up



Ordering Replacement Parts

To order replacement parts, please supply the part number, the quantity, and the description of each part desired.

Understanding Reference Numbers

Each identified part in an illustration has a reference number. The reference number for a part also appears in the parts list, along with other information about the part.

This catalog uses two special reference number formats, one to indicate parts in a service assembly and another to indicate the quantity of a given part in an illustration.

Service Assembly Reference Numbers

Parts in service assemblies have reference numbers in the form a:b. The a represents the reference number of the entire service assembly and the b represents a sequential number unique to each part within the service assembly.

For example, a wheel assembly might be identified by reference number 6, the tire by 6:1, the valve by 6:2, and the wheel by 6:3. When you order the assembly identified by reference number 6, you receive all parts identified by reference numbers 6:1, 6:2, and 6:3. However, you may also order any part individually. Reference numbers of this type appear in illustration and in parts lists.

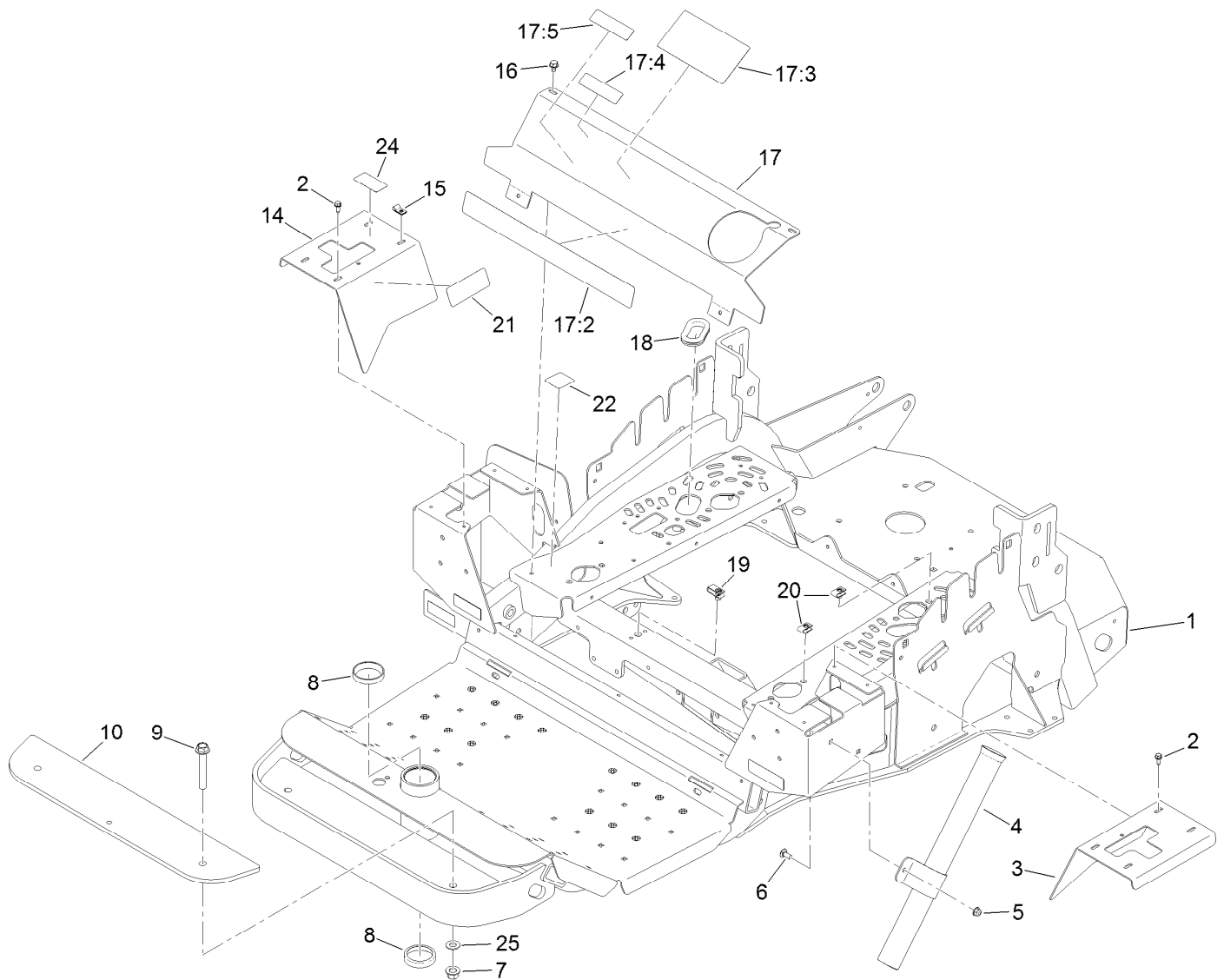
Reference Numbers Indicating Quantity

In an illustration, if a reference number indicates more than one part, the reference number has the form nX y. The n represents the quantity of the part, the X is the multiplication symbol, and the y represents the reference number.

For example, in an illustration, the reference number 2X 37 means that two of the parts identified by reference number 37 are indicated.

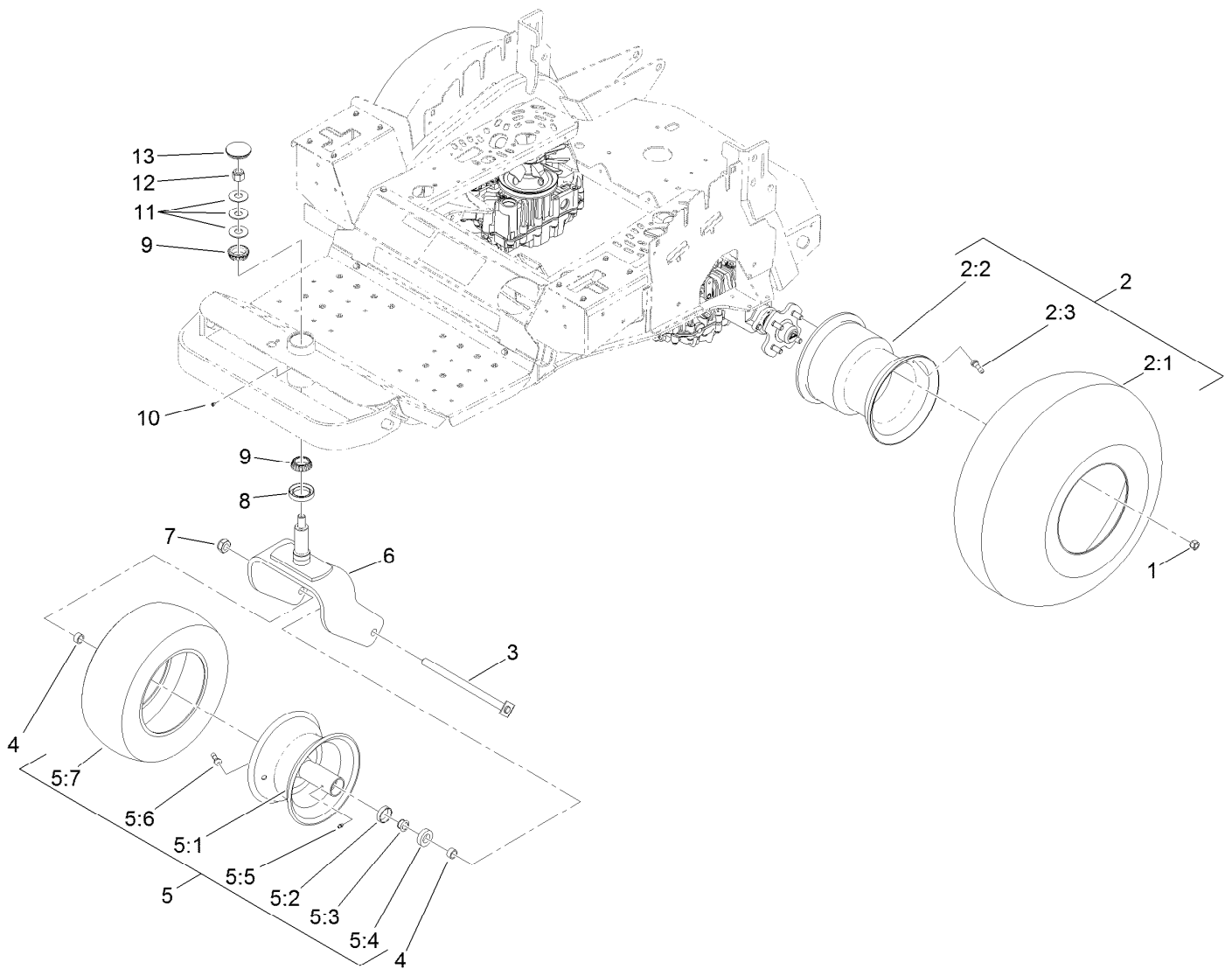
Contents

Main Frame Assembly	4
Tire and Caster Assembly	5
Engine and Transmission Assembly	6
Pump Idler Assembly No. 116-1255	8
LH Transmission Assembly No. 138-9088	10
RH Transmission Assembly No. 138-9090	12
Hydraulic Tank Assembly	14
Hydraulic Manifold Assembly No. 127-7858	16
Exhaust Assembly	17
Fuel Tank and Emissions Recovery Assembly	18
Engine Controls and Console Assembly	19
Seat Assembly	20
Seat Assembly No. 144-1371	21
Motion Control Assembly	22
Brake Installation Assembly	24
Lift Valve Installation Assembly	25
Hydraulic Cylinder Assembly No. 125-6466	26
Roll-Over Protection System Assembly	27
Battery and Electrical System Assembly	28
Attachments and Accessories	30



Main Frame Assembly

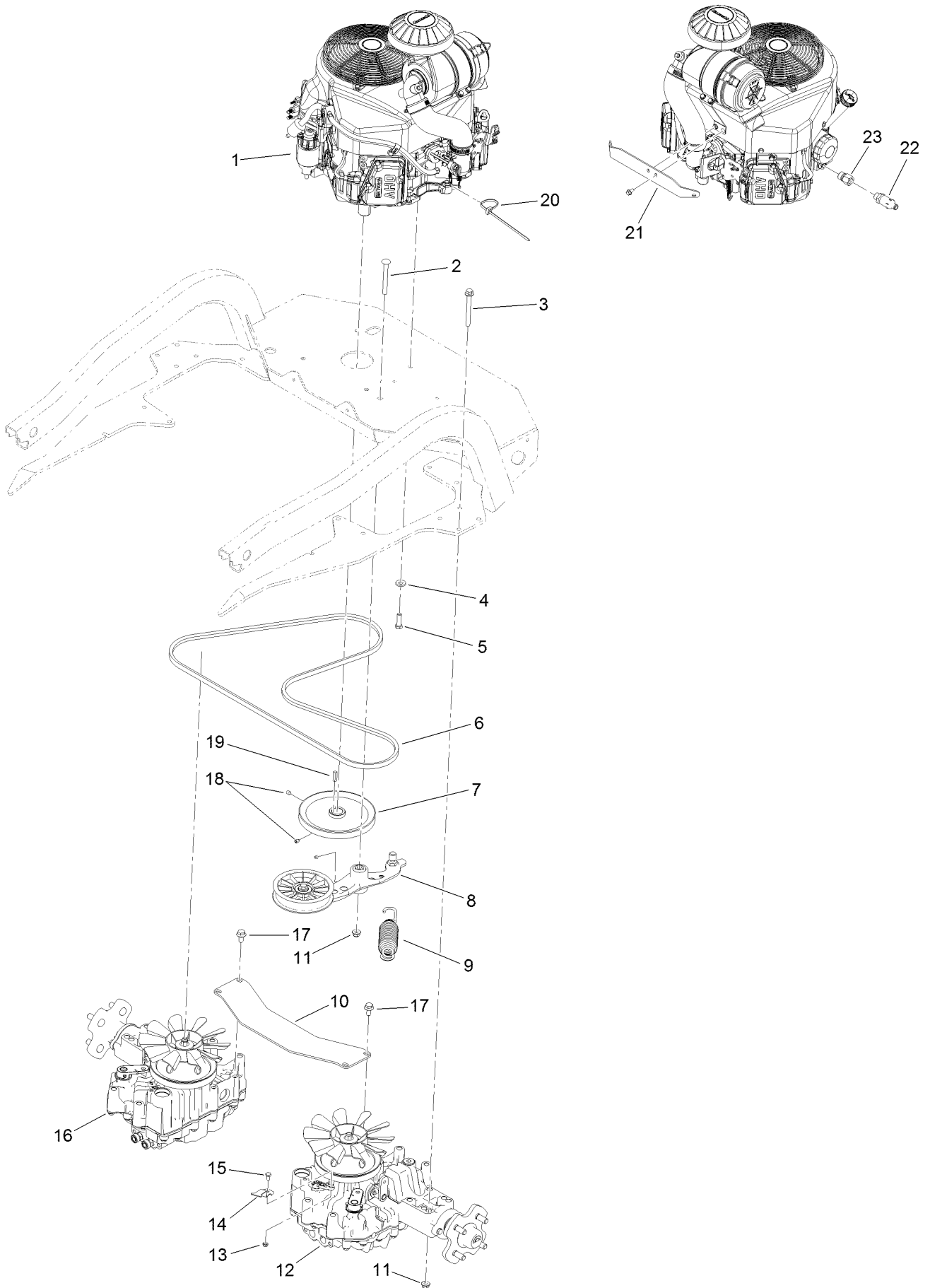
<i>Ref.</i>	<i>Part Number</i>	<i>Qty.</i>	<i>Description</i>	<i>Ref.</i>	<i>Part Number</i>	<i>Qty.</i>	<i>Description</i>
1	138-2217	1	Frame	17	127-7888	1	Front Cover ASM
2	32144-10	8	Screw-HWH	17:2	127-4149	1	Decal-Sand Pro 2040Z
3	125-2409-03	1	Cover-Control, LH	17:3	132-4412	1	Decal-Danger
4	127-0353-03	1	Holder-Rake	17:4	133-8062	1	Decal-Arrestor, Spark
5	104-8300	2	Nut-HF, NI	17:5	127-7868	1	Decal-Attachment Warning
6	3230-23	2	Bolt-CARR	18	240-12	2	Grommet-Rubber
7	99-5107	2	Nut-Lock	19	127-8408	2	Nut-U
8	254-107	2	Cup-Bearing, Tapered	20	115-7721	4	Nut-Clip, U
9	114-8419	2	Screw-HHF	21	109-7232	2	Decal-Motion Control
10	125-5133-03	4	Bumper-Weight	22	116-5944	1	Decal-Park Brake
14	125-2410-03	1	Cover-Control, RH	24	127-0365	1	Decal-Attachment Control
15	2412-72	1	Clip-Closed, Insulated	25	3256-26	2	Washer-Flat
16	9266934	4	Screw				



Tire and Caster Assembly

<i>Ref.</i>	<i>Part Number</i>	<i>Qty.</i>	<i>Description</i>	<i>Ref.</i>	<i>Part Number</i>	<i>Qty.</i>	<i>Description</i>
1	242-50	8	Nut-Lug	5:5	302-5	1	Fitting-Grease
2	147-3667	2	Wheel And Tire ASM	5:6	232-27	1	Stem-Valve
2:1	147-3669	1	Rim	5:7	125-6406	1	Tire
2:2	147-3668	1	Tire	6	144-7077-01	1	Caster Fork ASM [red]
2:3	5108	1	Valve	7	3296-67	1	Nut-Lock, NI
3	5-3934	1	Bolt-Caster	8	69-2980	1	Seal
4	74-3730	2	Spacer-Spindle, Rear	9	254-106	2	Cone-Bearing, Tapered
5	125-2406	1	Tire ASM	10	1-811010	1	Plug
5:1	125-6405	1	Rim ASM	11	108-9957	3	Washer-Belleville
5:2	254-79	2	Bearing-Roller, Cup	12	3296-51	1	Nut-Lock, NI
5:3	254-78	2	Bearing-Cone	13	108-9950	1	Cap-Grease
5:4	253-111	2	Seal-Oil				

Engine and Transmission Assembly



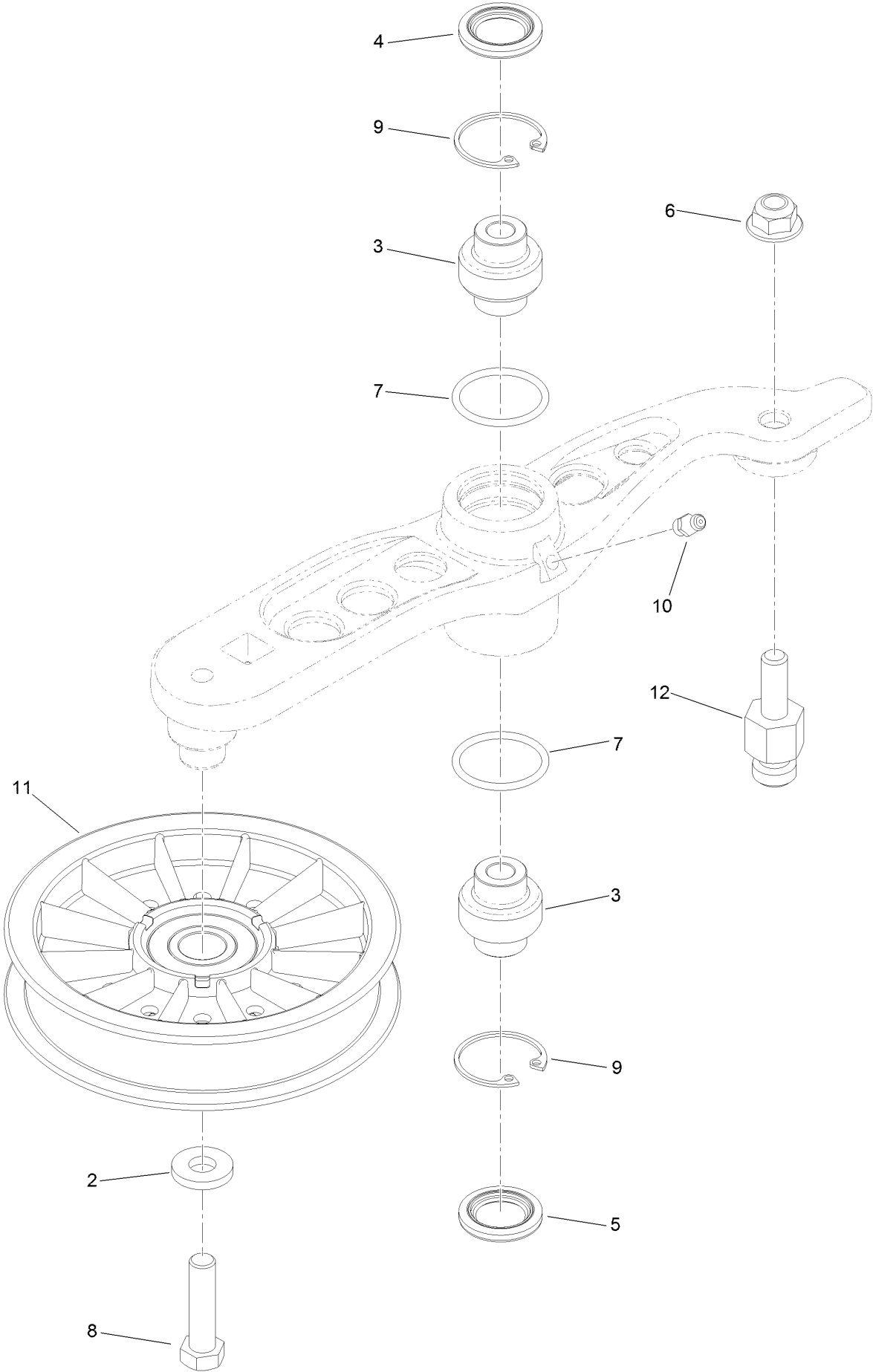
Engine and Transmission Assembly (continued)

<i>Ref.</i>	<i>Part Number</i>	<i>Qty.</i>	<i>Description</i>	<i>Ref.</i>	<i>Part Number</i>	<i>Qty.</i>	<i>Description</i>
1		1	Engine-Kawasaki, Fx481 ●■	13	3296-56	2	Nut-Lock, NI
2	3231-41	1	Bolt-Carriage	14	127-0390	2	Lever-Valve, Tow
3	116-4701	16	Screw-HHF	15	321-2	2	Screw-HH
4	98-5975	4	Washer-Belleville	16	138-9090	1	RH Transmission ASM
5	323-7	4	Screw-HH	17	33105-020	4	Screw-HHF
6	120-5772	1	Belt-V	18	3246-3	2	Screw-HSH
7	120-5779	1	Pulley	19	1-807259	1	Key
8	116-1255	1	Pump Idler ASM	20	3290-378	1	Tie-Cable
9	127-0351	1	Spring-Extension	21	130-2635-03	1	Bracket-Shroud
10	125-2435-03	1	Crossmember-Hydro	22	92-6877	1	Valve-Drain, Oil
11	104-8301	17	Nut-HF, NI	23	103-1966	1	Adapter-STR
12	138-9088	1	LH Transmission ASM				

● Not serviced separately

■ Obtain parts from www.kawpower.com

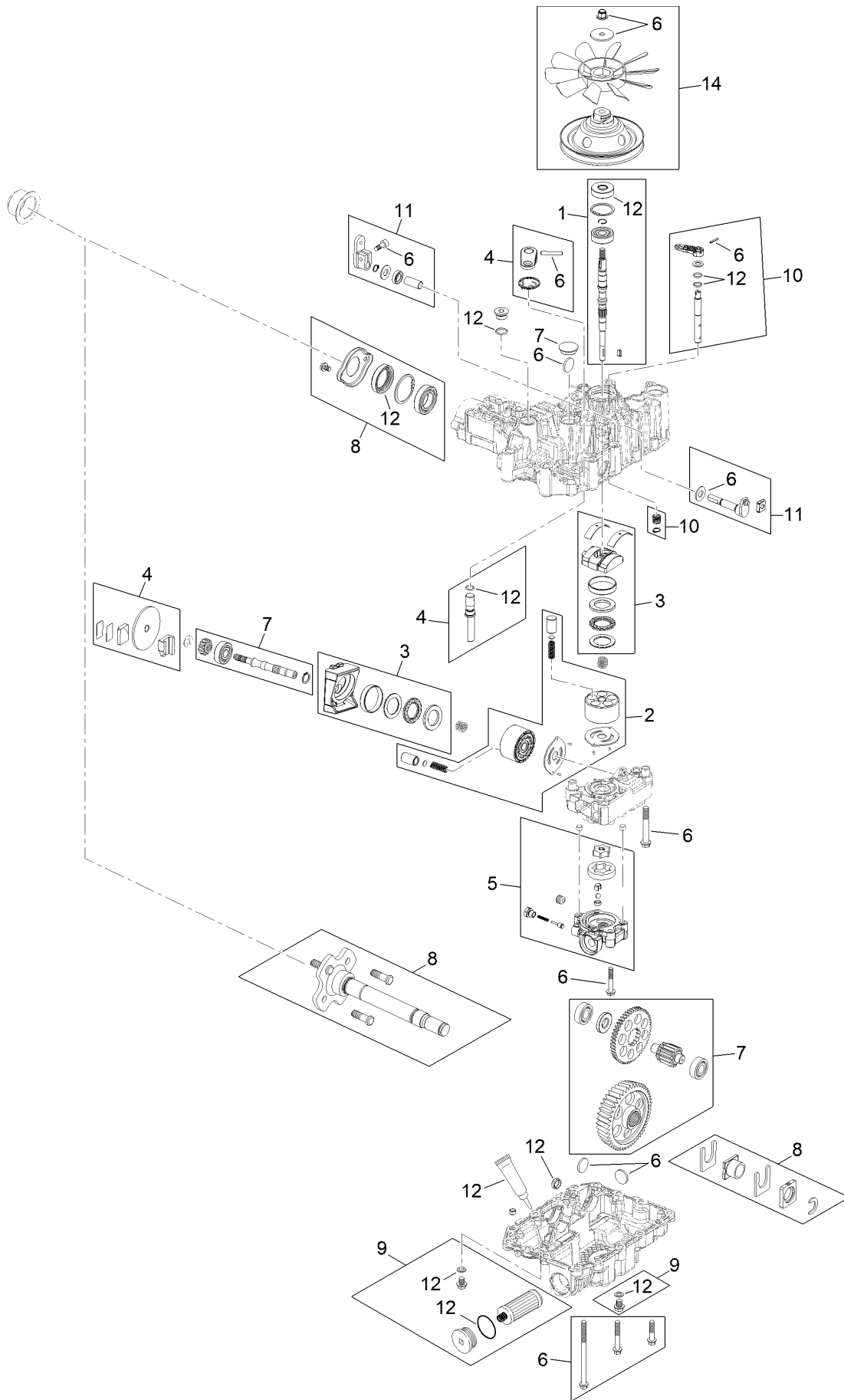
Pump Idler Assembly No. 116-1255



Pump Idler Assembly No. 116-1255 (continued)

<i>Ref.</i>	<i>Part Number</i>	<i>Qty.</i>	<i>Description</i>	<i>Ref.</i>	<i>Part Number</i>	<i>Qty.</i>	<i>Description</i>
2	43-0940	1	Spacer	8	323-8	1	Screw-HH
3	103-3504	2	Bearing-Spherical	9	32120-10	2	Ring-Snap
4	103-3505	1	Seal-Lip, Double	10	302-19	1	Fitting-Grease
5	103-3506	1	Seal-Lip, Single	11	109-8076	1	Pulley-Idler
6	109-6658	1	Nut-Flange, NI	12	132-4724	1	Pin-Anchor, Spring
7	106-7159	2	O-Ring				

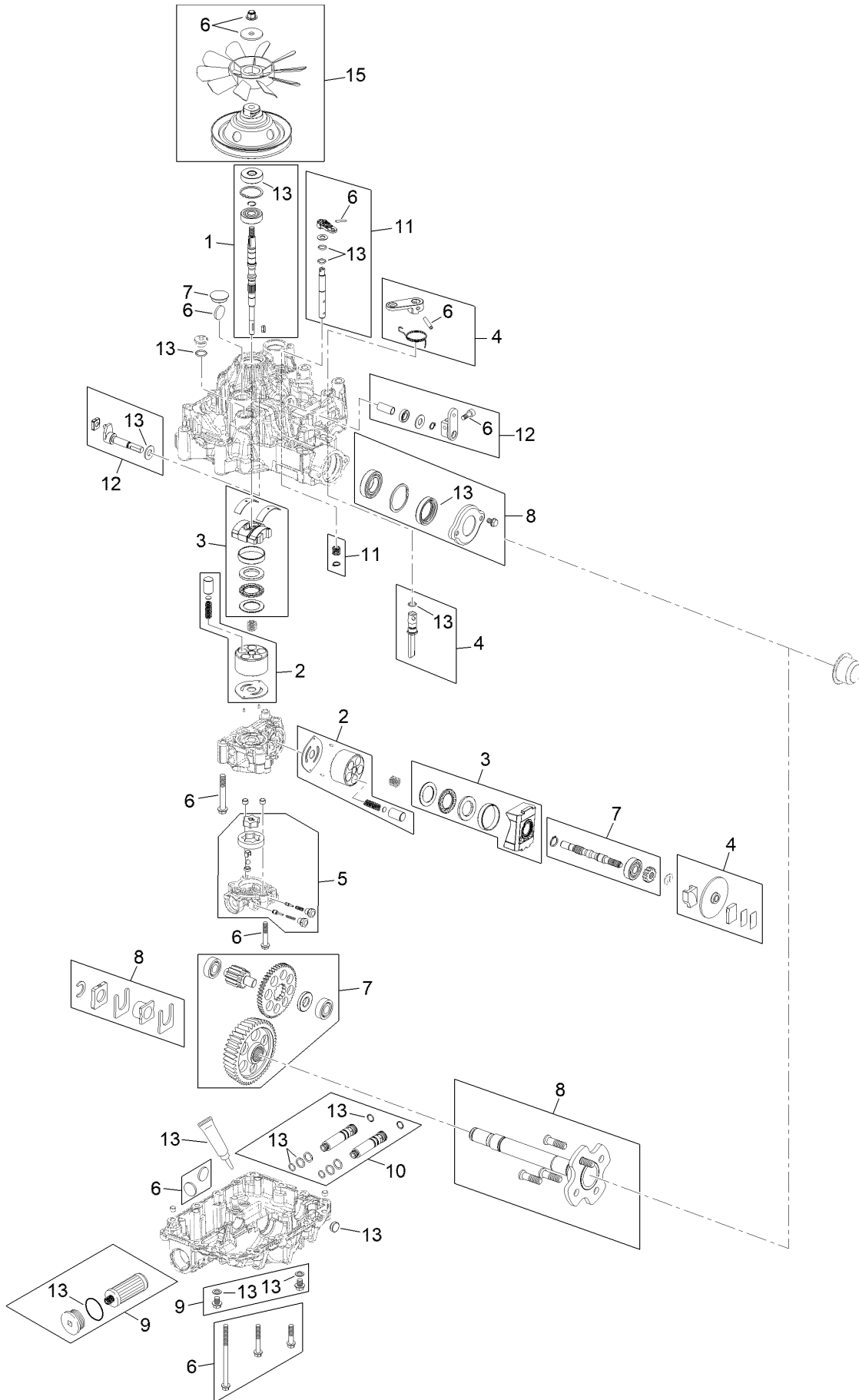
LH Transmission Assembly No. 138-9088



LH Transmission Assembly No. 138-9088 (continued)

<i>Ref.</i>	<i>Part Number</i>	<i>Qty.</i>	<i>Description</i>	<i>Ref.</i>	<i>Part Number</i>	<i>Qty.</i>	<i>Description</i>
1	127-0372	1	Input Shaft Kit	8	138-9110	1	Axle Shaft Kit
2	127-0373	1	Pump/Motor Kit	9	144-3842	1	2 Transmission Filter Kit
3	127-0374	1	Thrust Bearing Kit	10	127-0383	1	Bypass Valve Kit
4	130-2607	1	Left Brake Kit	11	127-0384	1	LH Trunion Kit
5	127-0376	1	LH Charge Pump Kit	12	130-7888	1	Seal Kit
6	127-0378	1	Fastener Kit	14	127-0388	1	Pulley/Fan Kit
7	127-0379	1	Drive Gear Kit				

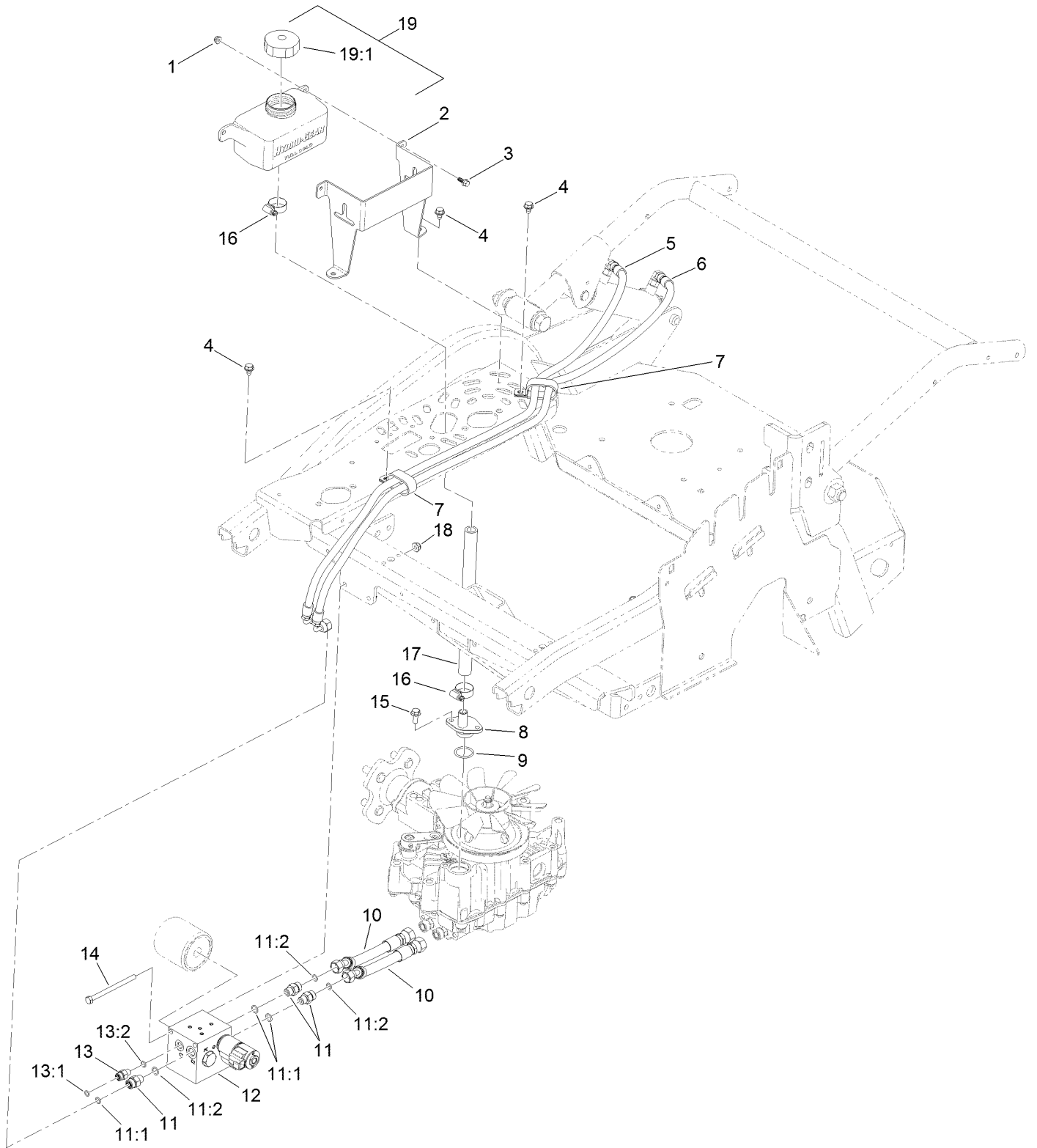
RH Transmission Assembly No. 138-9090



RH Transmission Assembly No. 138-9090 (continued)

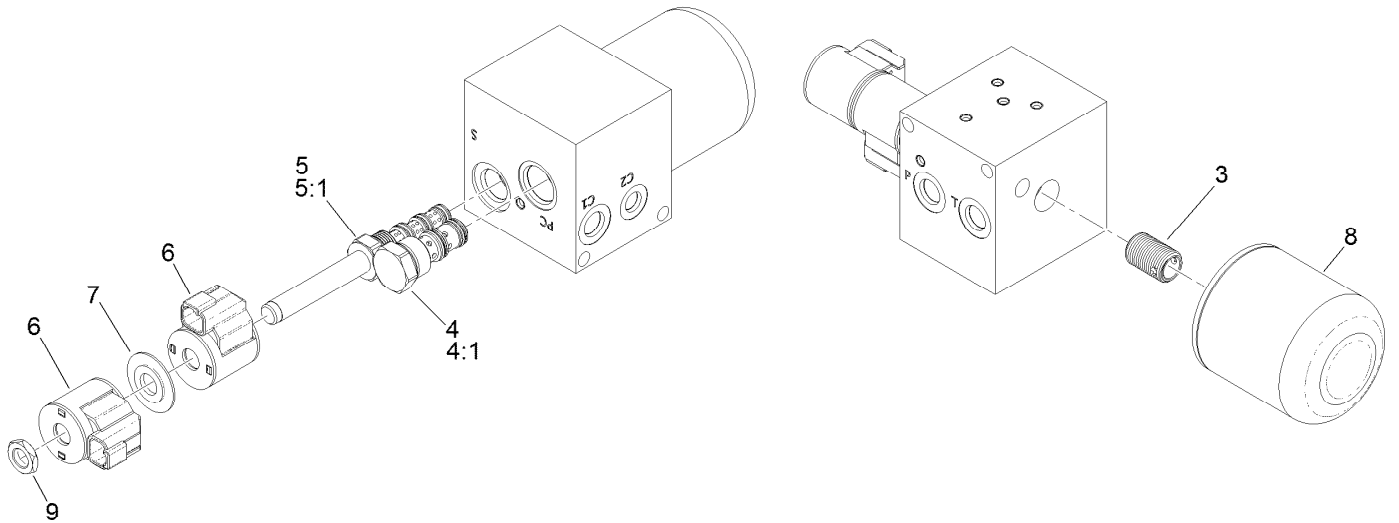
<i>Ref.</i>	<i>Part Number</i>	<i>Qty.</i>	<i>Description</i>	<i>Ref.</i>	<i>Part Number</i>	<i>Qty.</i>	<i>Description</i>
1	127-0372	1	Input Shaft Kit	8	138-9110	1	Axle Shaft Kit
2	127-0373	1	Pump/Motor Kit	9	144-3842	1	2 Transmission Filter Kit
3	127-0374	1	Thrust Bearing Kit	10	127-0382	1	Auxiliary Port Kit
4	127-0375	1	Right Brake Kit	11	127-0383	1	Bypass Valve Kit
5	127-0377	1	RH Charge Pump Kit	12	127-0385	1	RH Trunion Kit
6	127-0378	1	Fastener Kit	13	130-7888	1	Seal Kit
7	127-0379	1	Drive Gear Kit	15	127-0388	1	Pulley/Fan Kit

Hydraulic Tank Assembly



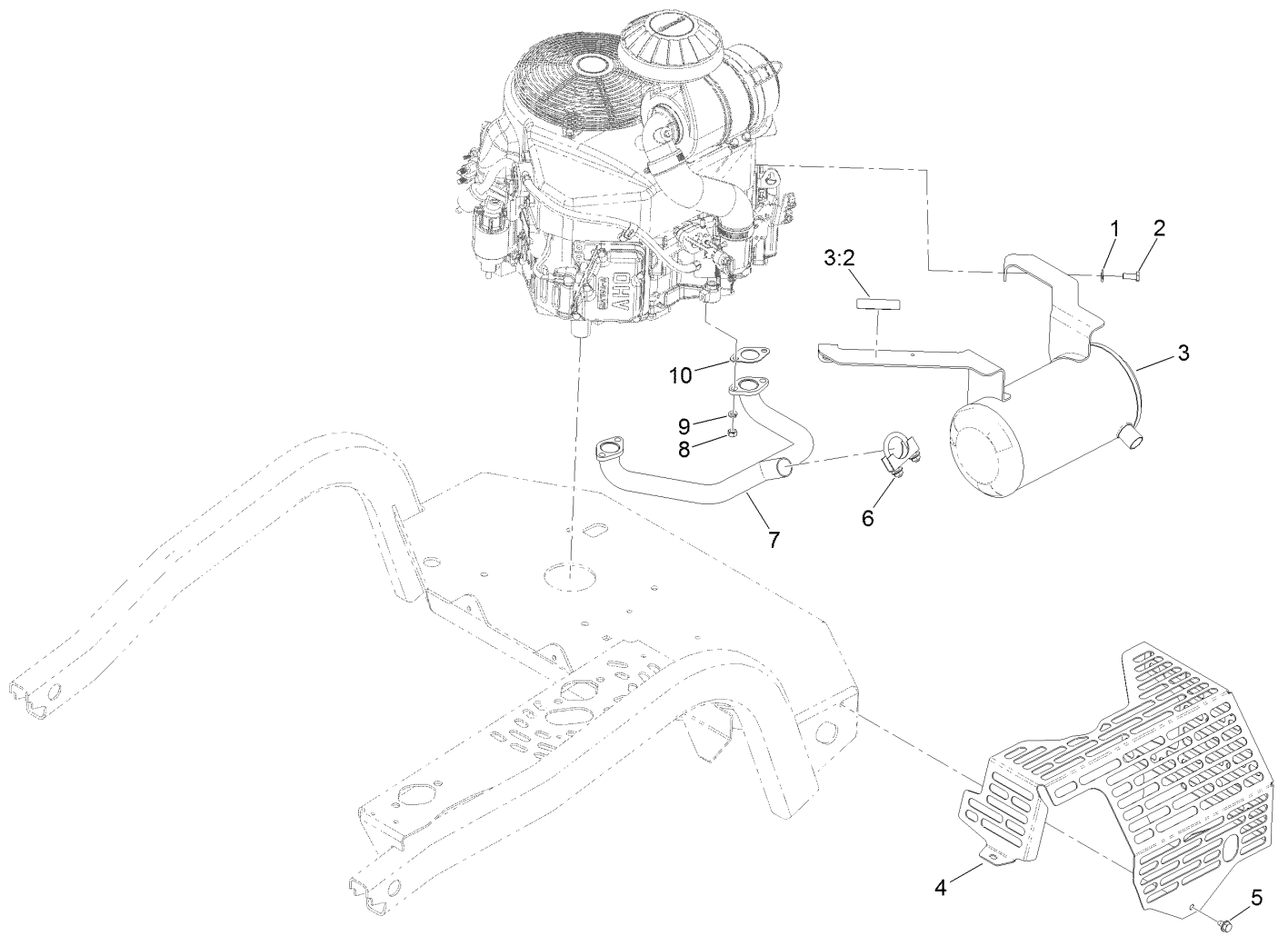
Hydraulic Tank Assembly (continued)

<i>Ref.</i>	<i>Part Number</i>	<i>Qty.</i>	<i>Description</i>	<i>Ref.</i>	<i>Part Number</i>	<i>Qty.</i>	<i>Description</i>
1	104-7201	4	Nut-HF, NI	12	127-7858	1	Hydraulic Manifold ASM (With Filter)
2	125-2438-03	2	Bracket-Tank	13	340-92	1	Fitting-Straight
3	99-6810	4	Screw-HHF	13:1	237-78	1	O-Ring
4	9266934	6	Screw	13:2	237-21	1	O-Ring
5	125-5124	1	HYD Hose ASM	14	322-38	2	Screw-HH
6	125-5125	1	HYD Hose ASM	15	98-7977	2	Screw-HHF
7	2412-137	2	Clamp-R, Double	16	2412-129	4	Clamp-Hose
8	125-2449	2	Fitting-Hydro	17	127-0368	2	Hose-Push Lok
9	130-2615	2	O-Ring	18	104-8300	2	Nut-HF, NI
10	127-7877	2	HYD Hose ASM	19	119-9908	2	Hydraulic Reservoir ASM
11	340-2	3	Fitting-Straight	19:1	109-3320	1	Cap-Reservoir, HYD
11:1	237-22	1	O-Ring				
11:2	237-42	1	O-Ring				



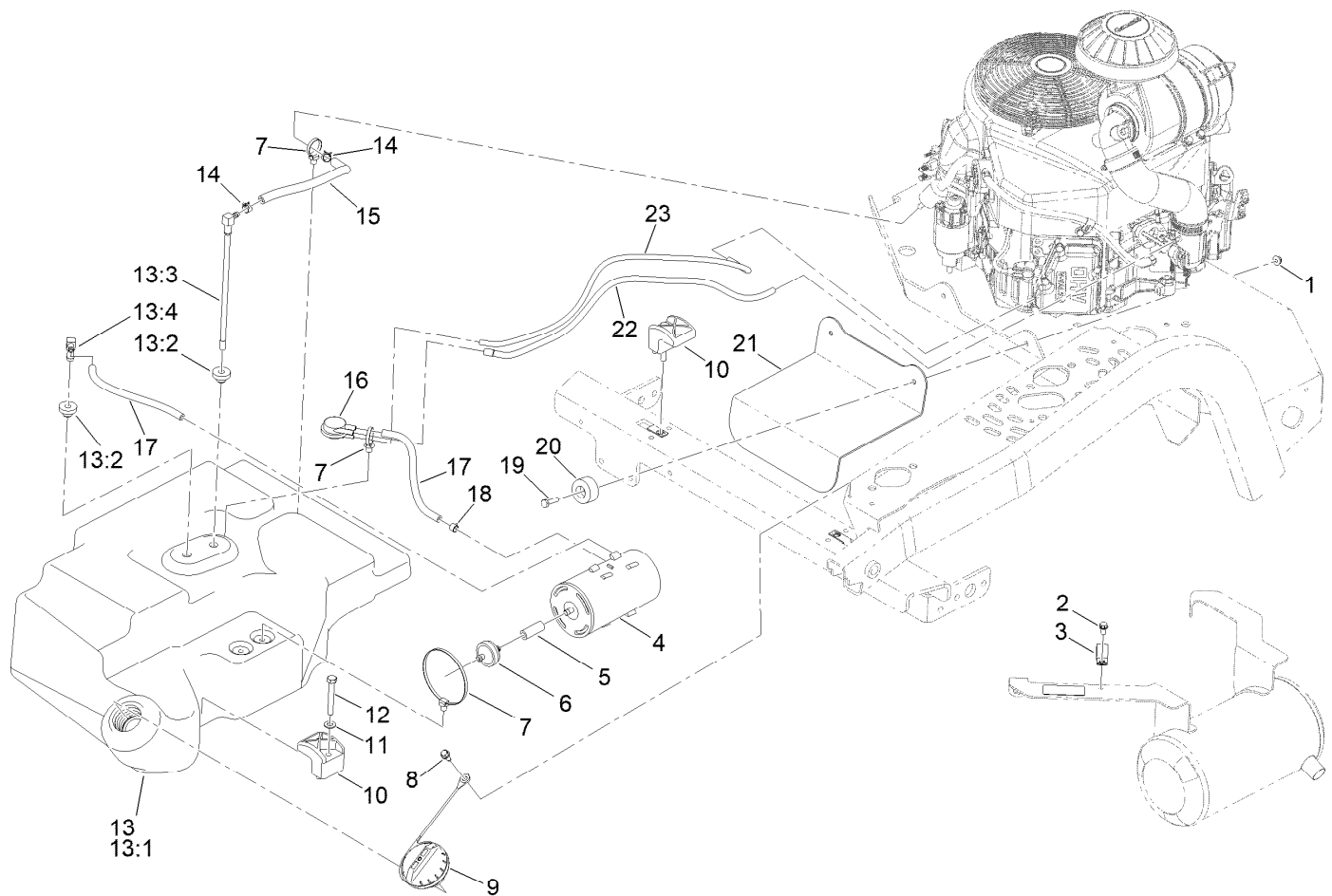
Hydraulic Manifold Assembly No. 127-7858

<i>Ref.</i>	<i>Part Number</i>	<i>Qty.</i>	<i>Description</i>
3	127-3885	1	Nipple-Filter
4	127-3884	1	Valve-Check
4:1	105-9154	1	Seal Kit
5	127-3883	1	Valve-Solenoid
5:1	112-6520	1	Seal Kit
6	119-8036	2	Coil
7	120-2586	1	Spacer-Coil
8	114-3494	1	Element-Filter, 25 Micron
9	110-2634	1	Nut-Coil



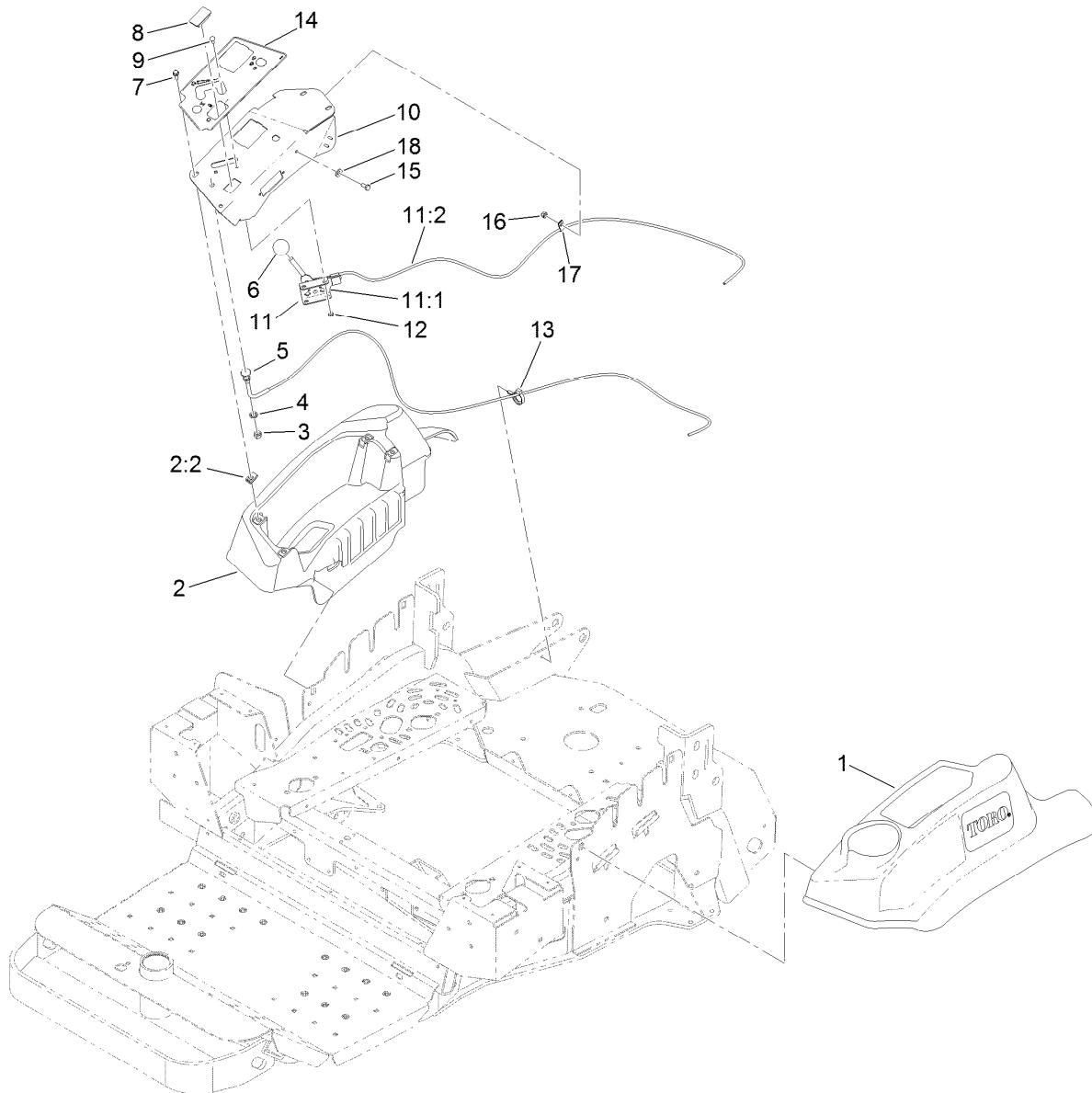
Exhaust Assembly

Ref.	Part Number	Qty.	Description
1	1-303334	2	Washer-Spring
2	33114-020	2	Screw-HH
3	127-7889	1	Muffler ASM
3:2	127-0392	1	Decal-Hot Surface
4	127-0367-03	1	Shield-Muffler
5	9266934	2	Screw
6	104-4090	1	Clamp-Muffler
7	125-2401	1	Manifold-Exhaust
8	114-3549	4	Nut
9	114-3550	4	Washer-Lock
10	1-653313	2	Gasket-Exhaust



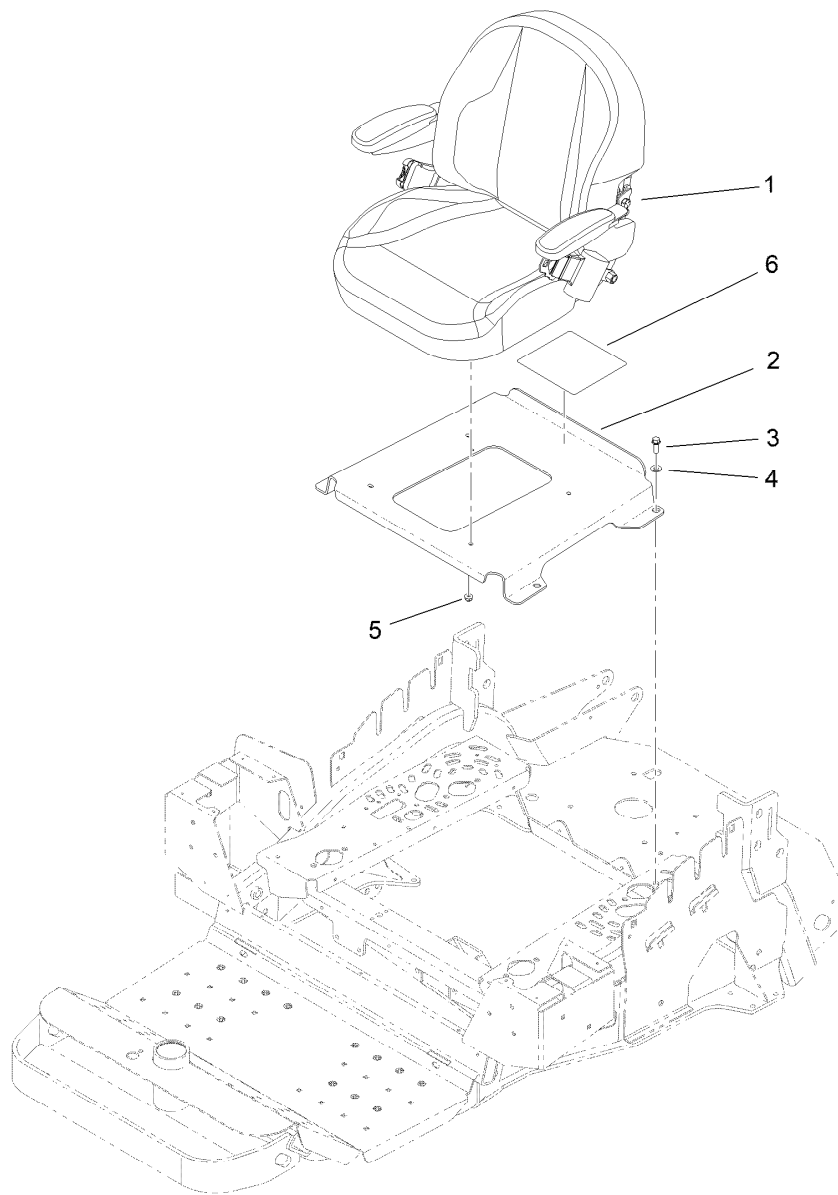
Fuel Tank and Emissions Recovery Assembly

Ref.	Part Number	Qty.	Description	Ref.	Part Number	Qty.	Description
1	104-7201	2	Nut-HF, NI	13:2	46-6560	2	Bushing
2	32144-4	1	Screw-HWH	13:3	119-8584	1	Fitting-Fuel (W/Line And Screen)
3	2412-105	1	Clamp-Tube, Double	13:4	116-2288	1	Fitting-Elbow, 90 DEG
4	127-8685	1	Canister-Carbon	14	2412-98	2	Clamp-Hose
5	106-5317	1	Hose-Fuel	15	110-3447	1	Hose-Fuel
6	115-7854	1	Filter-Fuel, Inline	16	116-2232	1	Valve-Control, Vacuum
7	32180-118	4	Clip-Tie	17	68-3633	2	Hose-Fuel
8	32144-10	1	Screw-HWH	18	2412-80	1	Clamp-Hose
9	117-1722	1	Cap-Fuel	19	321-6	2	Screw-HH
10	107-4543	2	Clamp	20	94-4548	2	Bumper-Recessed
11	3256-23	2	Washer-Plain	21	125-6426-01	1	Bracket-Mount, Tank
12	33114-060	2	Screw-HH	22	125-6485	1	Hose-Vent, Formed
13	127-0397	1	Fuel Tank ASM	23	125-6484	1	Hose-Vent, Formed
13:1	125-0236	1	Tank-Fuel				



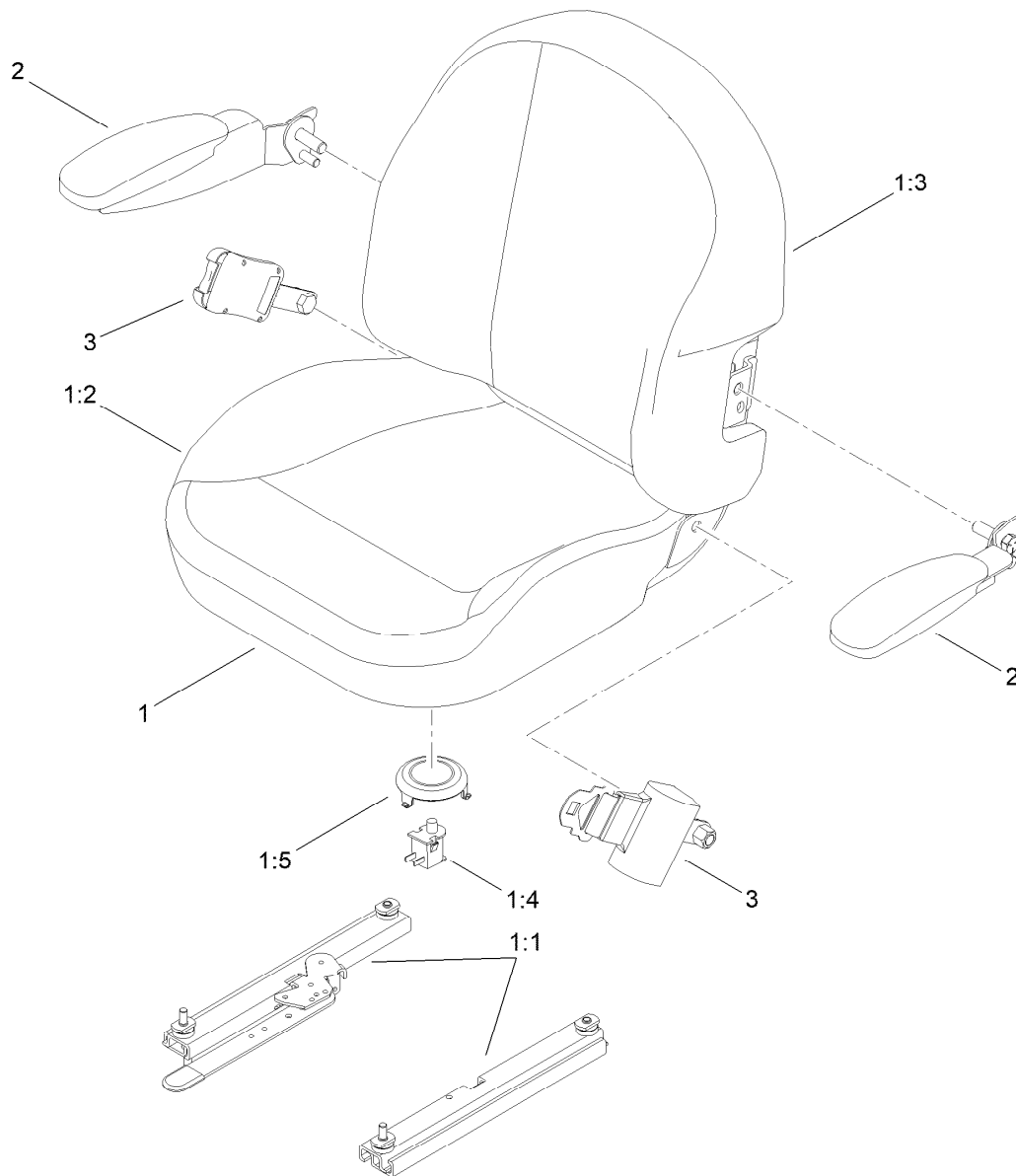
Engine Controls and Console Assembly

<i>Ref.</i>	<i>Part Number</i>	<i>Qty.</i>	<i>Description</i>	<i>Ref.</i>	<i>Part Number</i>	<i>Qty.</i>	<i>Description</i>
1	119-2602	1	Console-LH	11	110-5727	1	Throttle Control ASM
2	119-2603	1	RH Console ASM	11:1	112-2334	1	Lever-Throttle
2:2	107069	4	Clip	11:2	110-5728	1	Cable-Throttle
3	3219-3	1	Nut-Hex	12	3296-2	2	Nut-Lock, NI
4	3254-6	1	Washer-Lock, Internal	13	105-1853	1	Clamp-Hose
5	115-2753	1	Control-Choke	14	125-0214	1	Decal-Panel, Control
6	1-603175	1	Knob-Ball	15	321-3	1	Screw-HH
7	32105-15	4	Screw-HWH	16	3296-42	1	Nut-Lock, NI
8	99-7420	1	Plug-Hole	17	2412-72	1	Clip-Closed, Insulated
9	3229-34	2	Screw-CARR	18	3256-22	1	Washer-Flat
10	125-0213-03	1	Panel-Control				



Seat Assembly

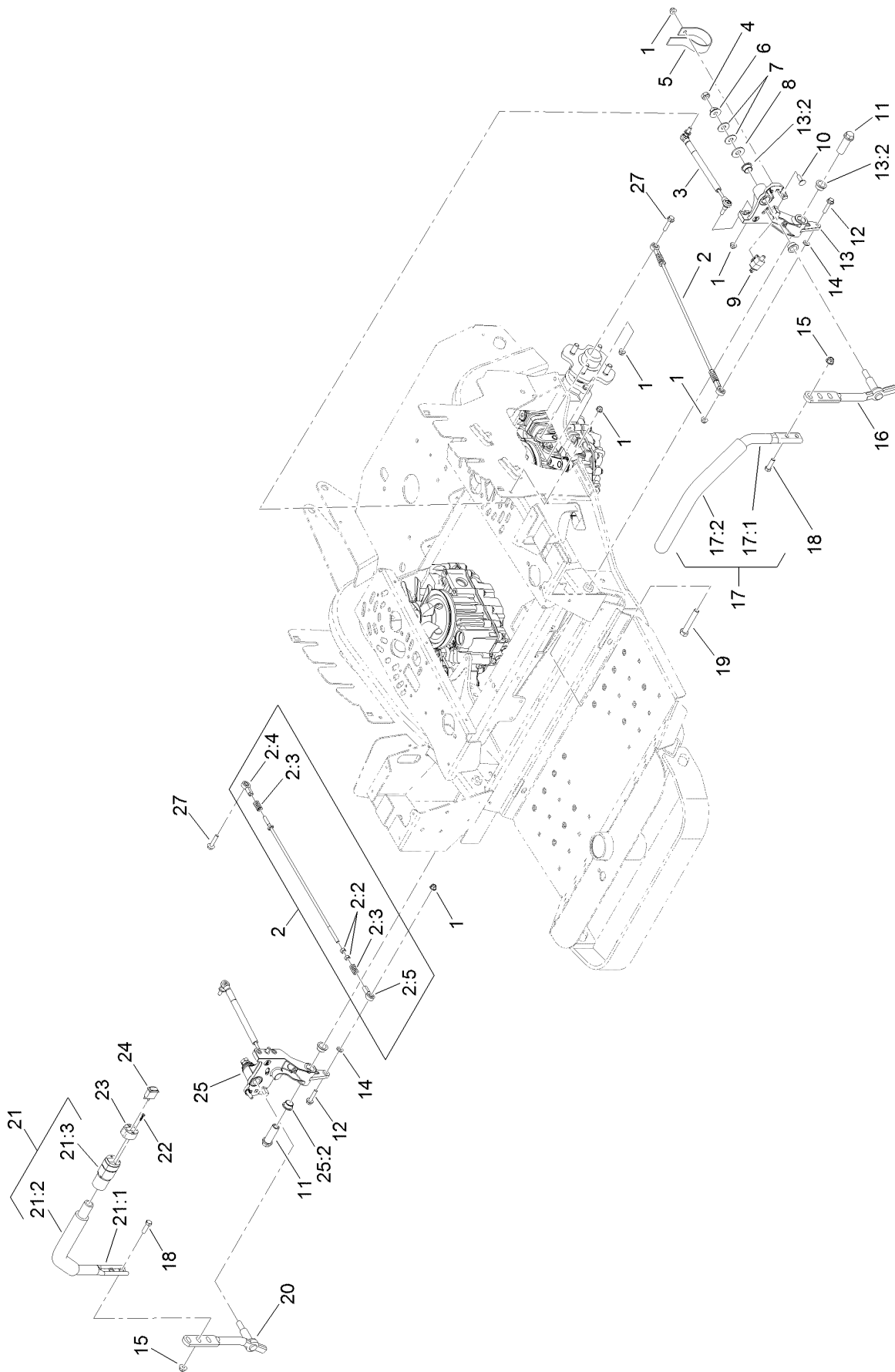
<i>Ref.</i>	<i>Part Number</i>	<i>Qty.</i>	<i>Description</i>
1	144-1371	1	Seat ASM
2	144-7063-03	1	Plate-Support, Seat
3	3234-29	4	Screw-HHF
4	3256-3	4	Washer-Flat
5	104-8300	4	Nut-HF, NI
6	144-1397	1	Decal-Service, CE



Seat Assembly No. 144-1371

<i>Ref.</i>	<i>Part Number</i>	<i>Qty.</i>	<i>Description</i>
1	144-1350	1	Seat ASM
1:1	144-7068	1	Track ASM
1:2	144-7069	1	Cushion Cover
1:3	144-7070	1	Back Cover
1:4	82-2190	1	Switch-Bail
1:5	140-3468	1	Cap-Switch, Actuator
2	139-5823	1	Arm Rest Kit
3	144-7071	1	Seat Belt Kit

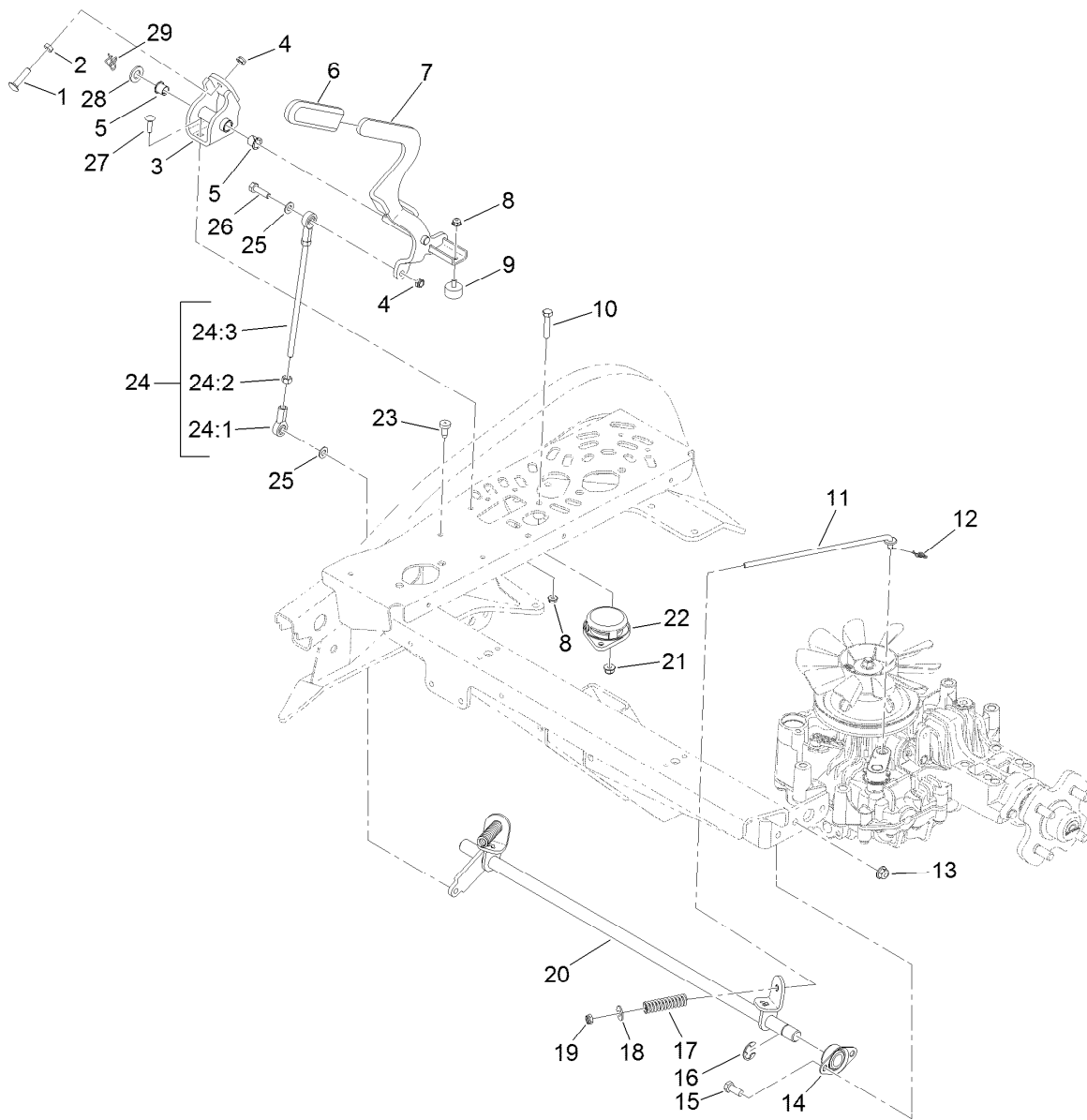
Motion Control Assembly



Motion Control Assembly (continued)

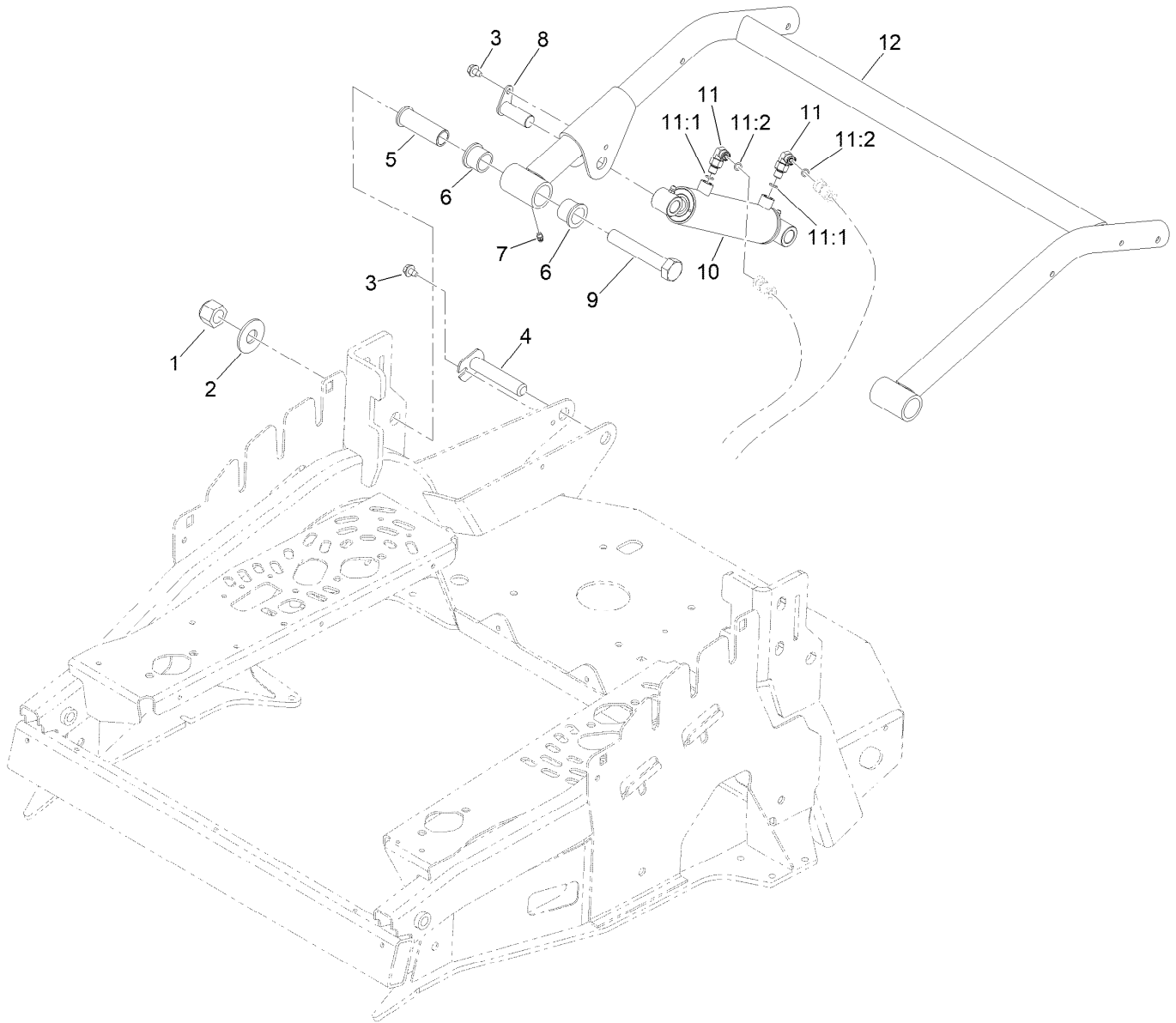
<i>Ref.</i>	<i>Part Number</i>	<i>Qty.</i>	<i>Description</i>	<i>Ref.</i>	<i>Part Number</i>	<i>Qty.</i>	<i>Description</i>
1	104-8300	10	Nut-HF, NI	15	104-8301	4	Nut-HF, NI
2	109-8107	2	Pump Linkage Rear ASM	16	116-0040	1	Lever-Control Motion, LH
2:2	3219-2	2	Nut-Hex	17	135-4373	1	LH Handle ASM
2:3	1-323245	2	Spring-Compression	17:1		1	Handle-LH ●
2:4	1-633152	1	Balljoint-LH	17:2	109-5668	1	Grip-Lever, Control
2:5	1-543017	1	Balljoint-RH	18	323-7	4	Screw-HH
3	146-0859	2	Damper, Motion Control	19	325-12	2	Screw-HH
4	3218-5	2	Nut-Jam	20	116-0039	1	Lever-Control Motion, RH
5	109-5575	2	Spring-Leaf	21	135-4807	1	RH Handle W/Grip ASM
6	32128-56	2	Nut-HF	21:1		1	Handle-RH ●
7	109-9505	4	Washer-Spring	21:2	109-5668	1	Grip-Lever, Control
8	3256-6	2	Washer-Flat	21:3	125-2662	1	Case ASM
9	110-6765	2	Switch	22	94-4496	2	Screw-PPH
10	3230-2	2	Bolt-CARR	23	121-3399	1	Cap-Switch
11	109-5891	2	Hub-Threaded	24	121-6574	1	Switch, Spst (On)-Off-(On)
12	115-1794	2	Screw-HHF	25	116-0880	1	RH Motion Control And Bushing ASM
13	116-0881	1	LH Motion Control And Bushing ASM	25:2	109-8054	4	Bushing-Flange
13:2	109-8054	4	Bushing-Flange	27	119-4036	2	Screw-HHF
14	3256-23	2	Washer-Plain				

● Not serviced separately



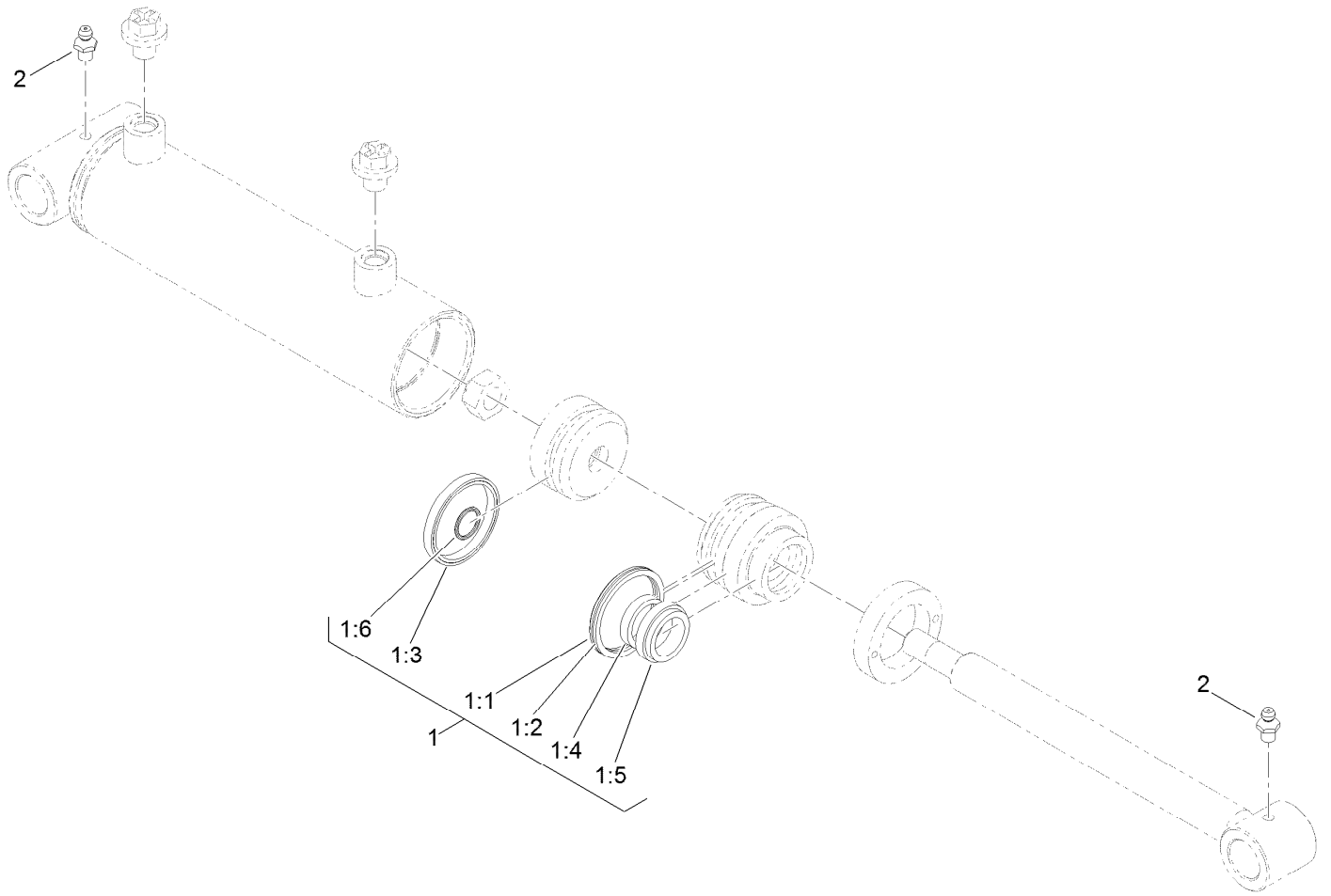
Brake Installation Assembly

Ref.	Part Number	Qty.	Description	Ref.	Part Number	Qty.	Description
1	112-6950	1	Screw-CARR	17	130-7874	2	Spring-Compression
2	3218-2	1	Nut-Hex Jam	18	3256-3	2	Washer-Flat
3	121-8148-03	1	Bracket-Handle, Brake	19	3296-20	2	Nut-Lock, NI
4	3296-47	3	Nut-Lock,NI	20	125-0209-03	1	Shaft-Brake
5	256-257	2	Bushing-Nyliner	21	104-8300	2	Nut-HF, NI
6	1-633268	1	Grip-Lever	22	92-6282	1	Switch-Seat
7	125-0201-03	1	Handle-Brake	23	87-8460	1	Bumper-Rubber
8	104-7201	3	Nut-HF, NI	24	125-0202	1	Rod-Adjustment
9	240-14	1	Bumper-Rubber	24:1	1-543017	2	Balljoint-RH
10	322-8	2	Screw-HH	24:2	3219-2	2	Nut-Hex
11	125-2351	2	Rod	24:3	127-7857	1	Rod-Brake
12	116-6639	2	Pin-Cotter, Locking	25	3256-23	3	Washer-Plain
13	104-8301	4	Nut-HF, NI	26	322-16	2	Screw-HH
14	1-633102	2	Bearing-Flange, Side	27	3229-2	2	Screw-CARR
15	323-5	4	Screw-HH	28	106-9888	1	Washer-Flat
16	32151-48	1	E-Ring	29	112-1491	1	Pin-Cotter



Lift Valve Installation Assembly

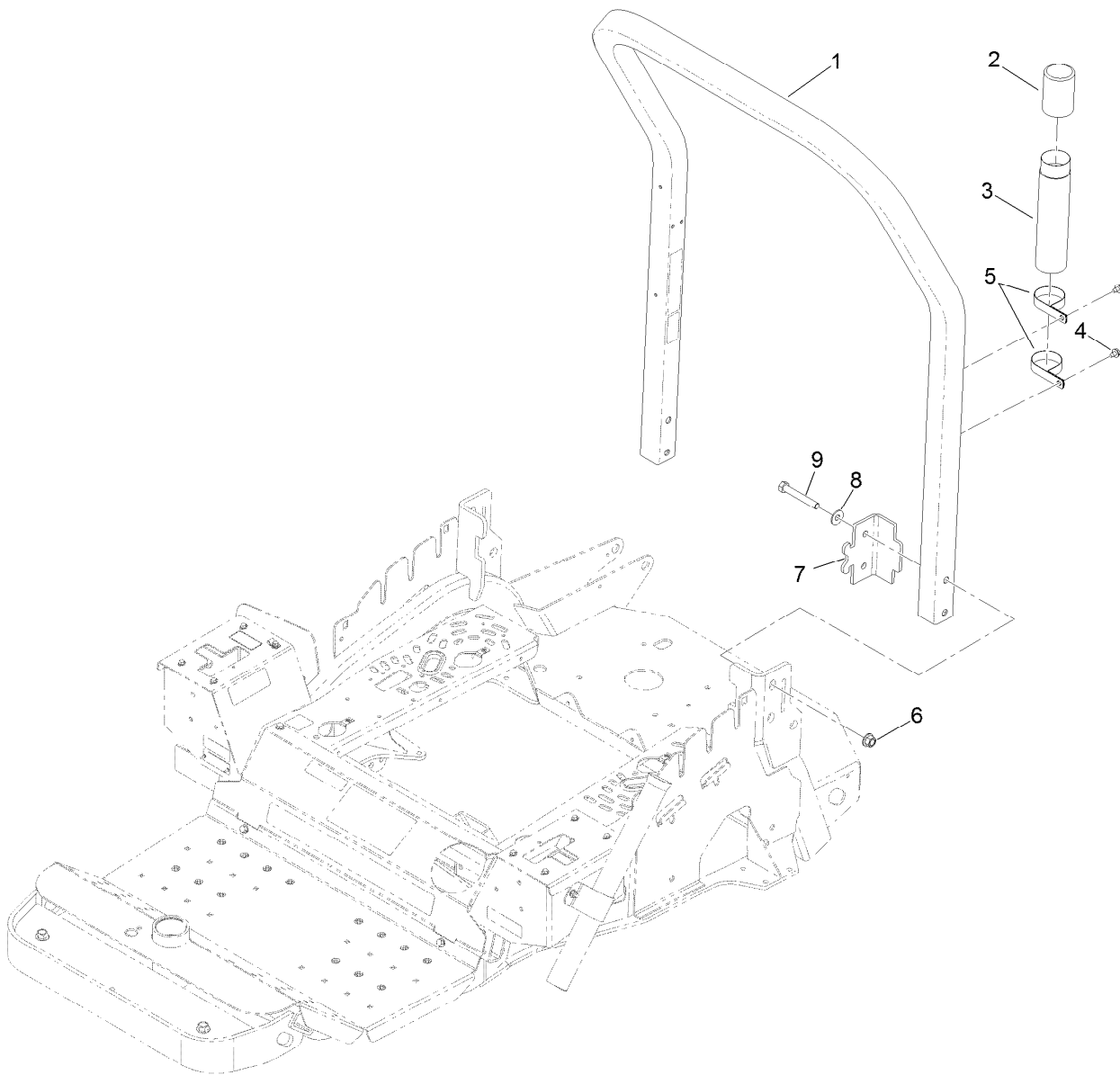
Ref.	Part Number	Qty.	Description
1	3296-51	2	Nut-Lock, NI
2	3256-8	2	Washer-Flat
3	9266934	2	Screw
4	140-5248	1	Pin-Ram, Pivot
5	125-2445	2	Sleeve-Pivot
6	94-8949	4	Bushing-Flange
7	302-5	2	Fitting-Grease
8	108-2905	1	Pin ASM
9	328-8	2	Screw-HH
10	125-6466	1	HYD Cylinder ASM
11	340-132	2	Fitting-Elbow, 90 DEG
11:1	237-78	1	O-Ring
11:2	237-21	1	O-Ring
12	125-2441-03	1	Lift-Groomer



Hydraulic Cylinder Assembly No. 125-6466

<i>Ref.</i>	<i>Part Number</i>	<i>Qty.</i>	<i>Description</i>
1	127-3880	1	Seal Kit
1:1		1	O-Ring ●
1:2		1	Seal-Back Up ●
1:3		1	Psp Seal ●
1:4		1	Bt Seal ●
1:5		1	Dust Seal ●
1:6		1	O-Ring ●
2	302-5	2	Fitting-Grease

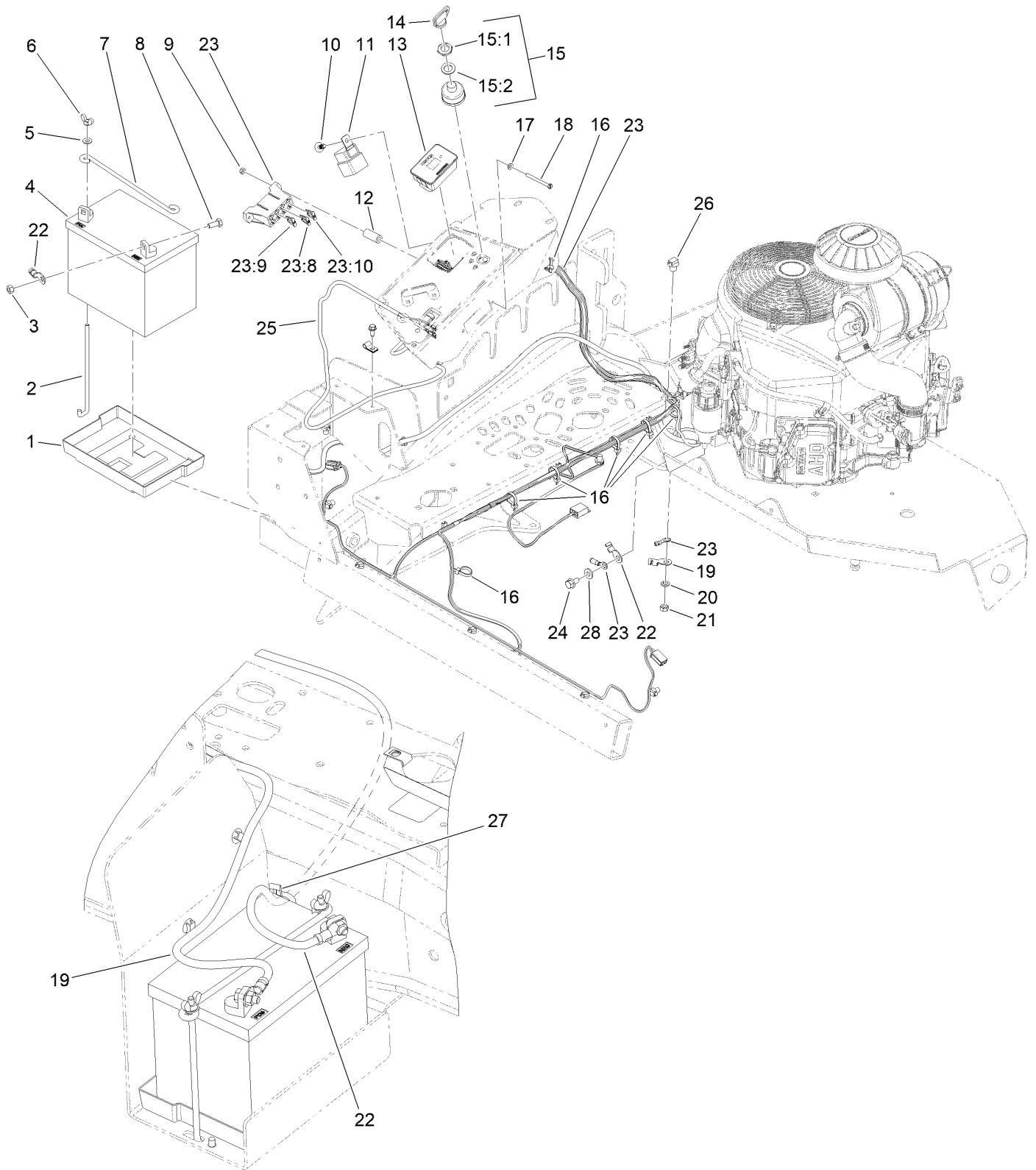
● Not serviced separately



Roll-Over Protection System Assembly

<i>Ref.</i>	<i>Part Number</i>	<i>Qty.</i>	<i>Description</i>
1	127-0398	1	ROPS ASM
2	104-7048	1	Cap-Housing
3	104-7050	1	Tube-Manual
4	9266934	2	Screw
5	2412-133	2	Clamp-R
6	99-5107	4	Nut-Lock
7	125-2398-01	2	Bracket-ROPS
8	109-9505	4	Washer-Spring
9	325-14	4	Screw-HH

Battery and Electrical System Assembly



Battery Cables

Battery and Electrical System Assembly (continued)

<i>Ref.</i>	<i>Part Number</i>	<i>Qty.</i>	<i>Description</i>	<i>Ref.</i>	<i>Part Number</i>	<i>Qty.</i>	<i>Description</i>
1	106948	1	Tray-Battery	16	3290-379	7	Tie-Cable
2	100-6435	2	Post-Battery	17	120-9680	2	Washer-Flat
3	3217-6	2	Nut-Hex	18	32105-14	2	Screw-SHH
4	99-7421	1	Battery- Wet, 12V, 300 CCA	19	122-0143	1	Cable-Battery, Positive
5	3256-22	2	Washer-Flat	20	3253-4	1	Washer-Lock
6	32103-22	2	Nut-Wing	21	3218-13	1	Nut-Jam, Brass
7	100-6434	1	Rod-Hold Down, Battery	22	122-0085	1	Cable-Battery, Negative
8	322-3	2	Screw-HH	23	122-1380	1	Harness-Wire
9	3296-2	2	Nut-Lock, NI	23:8	109102	1	Fuse-Blade, 25 Amp
10	104-0395	2	Plug-Plastic	23:9	218-578	1	Fuse-Blade, 10 Amp
11	99-7430	2	Relay-Mini	23:10	109101	1	Fuse-Blade, 20 Amp
12	103-0384	2	Spacer	24	33104-016	1	Screw-HHF
13	147-3651	1	Module ASM	25	121-8893	1	Harness-Handle, Control
14	63-8360	2	Key-Ignition	26	32180-030	1	Clip-Tie
15	83-0020	1	Switch-Ignition	27	32180-078	1	Clip-Edge
15:1	218-461	1	Nut-HH	28	3256-23	1	Washer-Plain
15:2	3254-5	1	Washer-Lock				

Attachments and Accessories

For 08706 Sand Pro 2040Z Traction Unit

Product Name	Model/Part
Flex Tooth Rake.....	08716
Oil Filter	119-5852
Broom Finishing Kit.....	08719
Rubber Trowel Kit.....	130-2629
Spark Plug	92-2153
Nail Drag.....	08717
Finish Drag	08718
Light Kit.....	08721
Speed Limiter Kit	08720
Seat Isolation Kit, Sand Pro 2040Z Traction Unit	144-7065
Bag Kit.....	127-0359
Tire Assembly	125-6462
Bimini Folding Shade Assembly	115-4510
Premium Engine Oil 10w30 (5 Gallon Pail)	121-6393
Spark Arrestor Screen	104-6540
Rake Holder Kit.....	130-7876
Filter Minder Gauge	99-4664
Speed Plate Kit	130-7877
400 Hour Maintenance Kit	08725
Fuel Stabilizer (4oz).....	117-0089
Fuel Stabilizer (16oz).....	117-0090
Premium Transmission/Hydraulic Tractor Fluid (5 Gallon Pail)	108-1184
Fuel Filter.....	121-4570
Premium Transmission/Hydraulic Tractor Fluid (55 Gallon Drum).....	108-1183
Filter-Air	108-3811
Premium All Purpose Grease (Tube)	108-1190
Dark Metallic Gray Aerosol Paint	361-12
New Red Paint - Gallon	361-11
Air Dry Red Paint - Qt	5340
Semi-Gloss Black Spray Paint	361-9

Notes:



Count on it.