



Count on it.

Parts Catalog

**Workman® GTX
EFI Utility Vehicle**

Model No. 07409—Serial No. 415000000 and Up



Ordering Replacement Parts

To order replacement parts, please supply the part number, the quantity, and the description of each part desired.

Understanding Reference Numbers

Each identified part in an illustration has a reference number. The reference number for a part also appears in the parts list, along with other information about the part.

This catalog uses two special reference number formats, one to indicate parts in a service assembly and another to indicate the quantity of a given part in an illustration.

Service Assembly Reference Numbers

Parts in service assemblies have reference numbers in the form a:b. The a represents the reference number of the entire service assembly and the b represents a sequential number unique to each part within the service assembly.

For example, a wheel assembly might be identified by reference number 6, the tire by 6:1, the valve by 6:2, and the wheel by 6:3. When you order the assembly identified by reference number 6, you receive all parts identified by reference numbers 6:1, 6:2, and 6:3. However, you may also order any part individually. Reference numbers of this type appear in illustration and in parts lists.

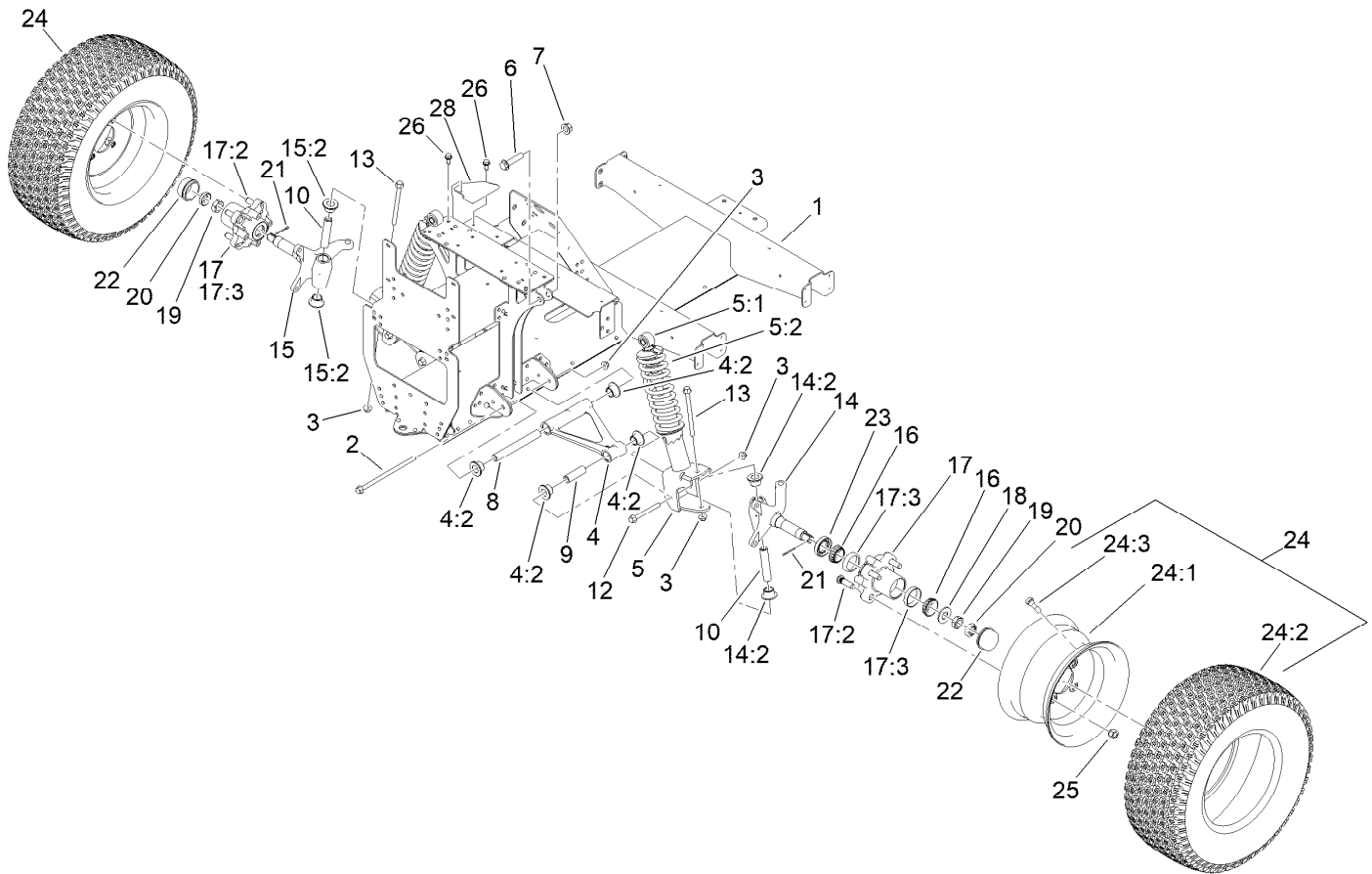
Reference Numbers Indicating Quantity

In an illustration, if a reference number indicates more than one part, the reference number has the form nX y. The n represents the quantity of the part, the X is the multiplication symbol, and the y represents the reference number.

For example, in an illustration, the reference number 2X 37 means that two of the parts identified by reference number 37 are indicated.

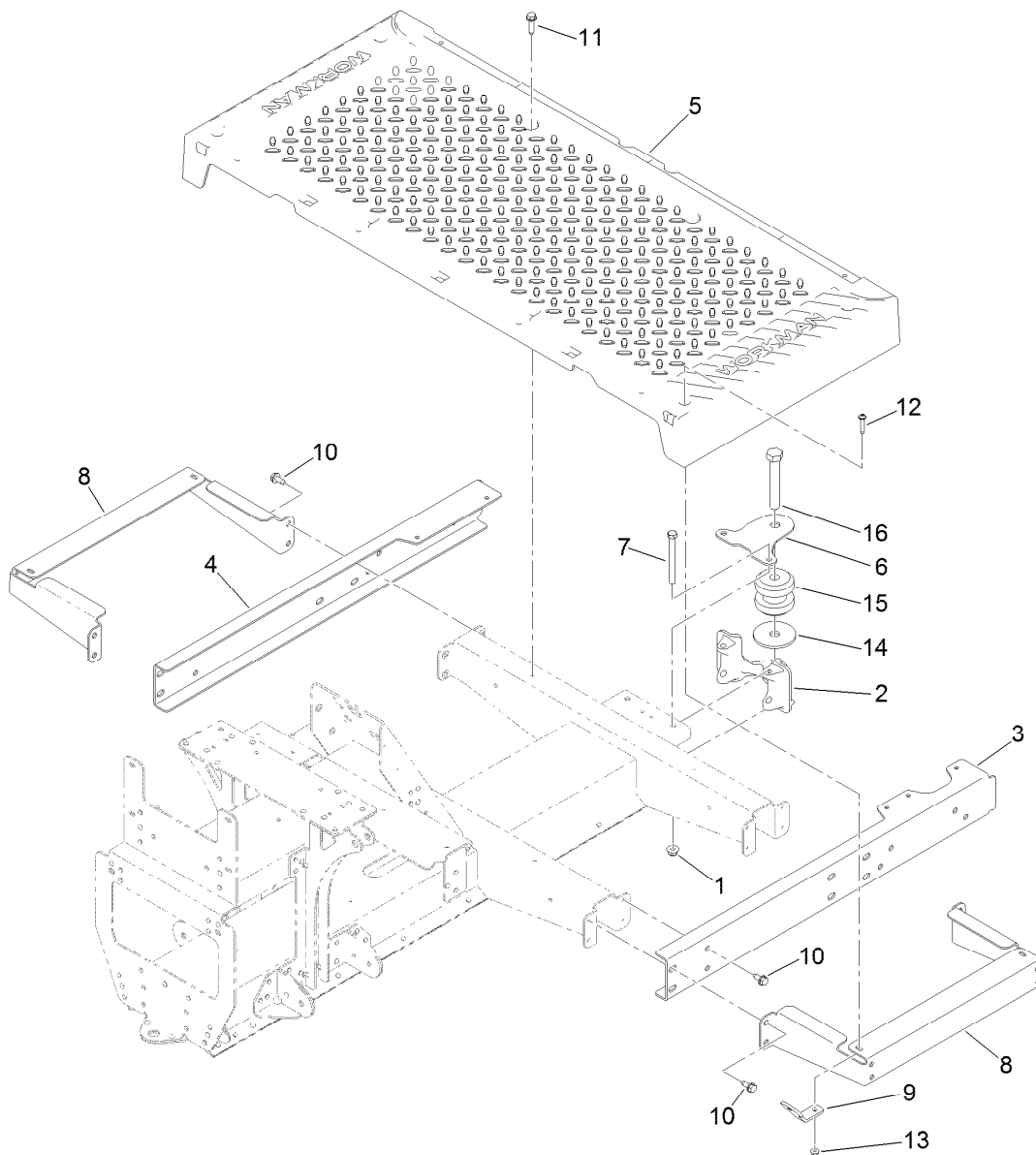
Contents

Front Frame and Suspension Assembly	4
Floor Plate and Rear Suspension Mount Assembly	5
Rear Frame and Suspension Assembly	6
Frame Mount and Rear Shock/Spring Assembly	7
Brake Assembly	8
Master Cylinder Assembly No. 104-6782	9
Brake Caliper Assembly No. 140-2575	10
Steering Assembly	11
Pedal and Control Assembly	12
Hood and Fender Assembly	14
Dash Assembly	15
Seatbase Assembly	16
Cargo Bed Assembly	17
Engine Assembly	18
Starter Generator Assembly No. 131-8444	20
Secondary Clutch Assembly No. 119-6011	21
Engine Assembly No. 145-2280	22
Engine Assembly No. 145-2280	25
Air Cleaner Assembly No. 138-3447	27
Primary Clutch Assembly No. 138-0095	28
Rear Wheel and Transaxle Assembly	29
Transaxle Assembly No. 131-3486	30
Battery and Cable Assembly	32
Electrical Assembly	33
Fuel System Assembly	35
Attachments and Accessories	37



Front Frame and Suspension Assembly

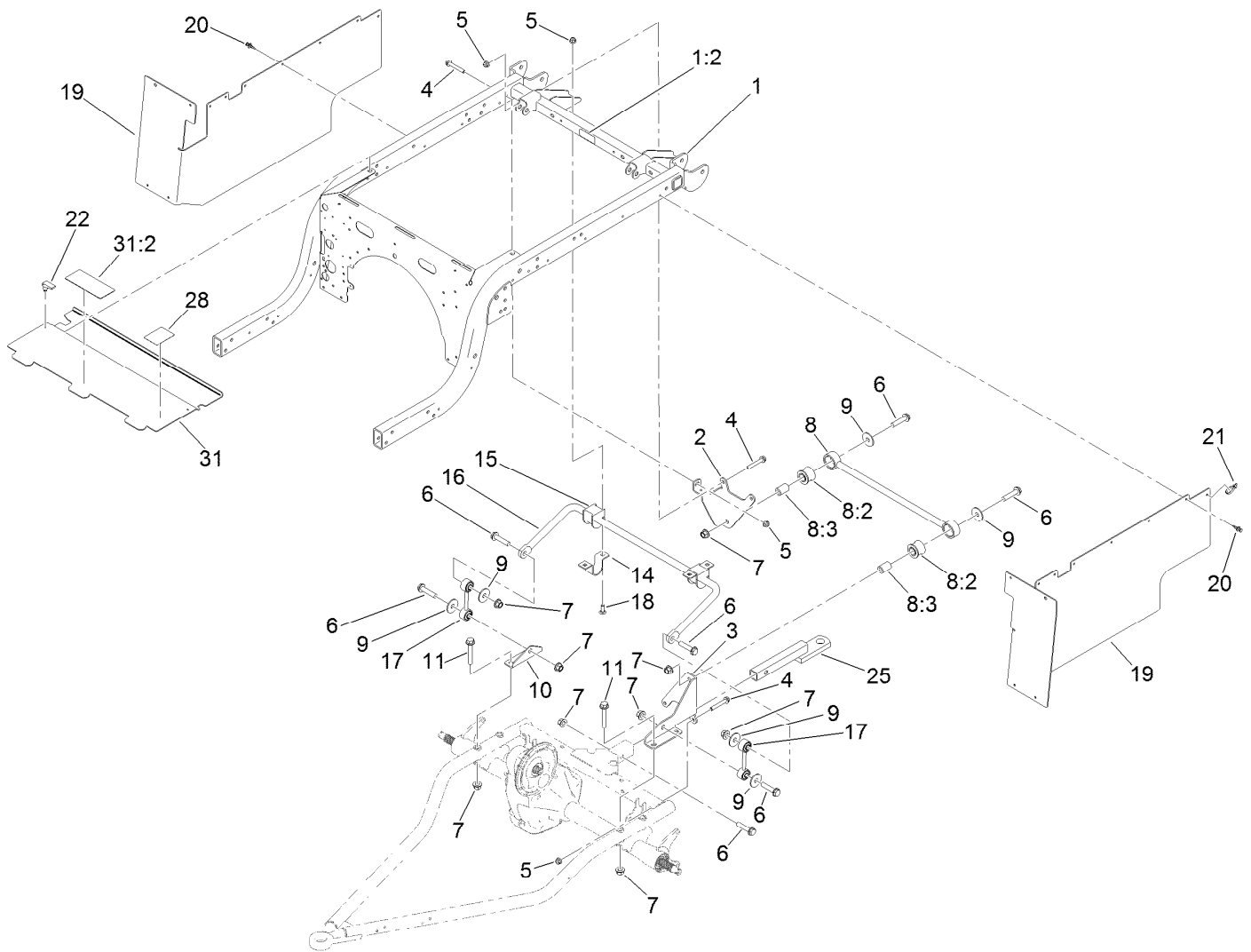
Ref.	Part Number	Qty.	Description	Ref.	Part Number	Qty.	Description
1	147-8209-03	1	Front Frame ASM	15:2	140-4615	2	Bushing-Flange
2	139-3360	2	Screw-HF	16	254-94	4	Bearing-Cone, Tapered
3	139-3380	6	Nut-HF	17	127-8851	2	Front Hub ASM
4	144-2161	2	Control Arm ASM	17:2	10-6830	4	Stud-Type, Drive
4:2	140-4615	4	Bushing-Flange	17:3	254-72	2	Bearing-Cup, Tapered
5	139-4484	2	Strut ASM, 250 Lb (16.33" EXT Length)	18	93-0309	2	Washer-Tab
5:1	131-8574	1	Isolator-Shock	19	3220-7	2	Nut-Jam
5:2	137-6719	1	Spring-Compression, 250Lb	20	93-0307	2	Nut-Lock, Retainer
6	3234-46	2	Screw-HHF	21	3272-12	2	Pin-Cotter
7	99-5107	2	Nut-Lock	22	241-119	2	Cap-Dust
8	131-8581	2	Sleeve-Control Arm, Inner	23	112-1690	2	Seal-Oil
9	131-8583	2	Sleeve-Control Arm, Outer	24	147-2761	2	Wheel And Tire ASM
10	131-8582	2	Sleeve-Kingpin	24:1	147-2762	1	Wheel
12	139-3370	2	Screw-HF	24:2	139-4475	1	Tire-20 X 8.00-10
13	139-3350	2	Screw-HF	24:3	232-27	1	Stem-Valve
14	144-5468	1	Spindle ASM LH	25	242-50	8	Nut-Lug
14:2	140-4615	2	Bushing-Flange	26	32144-70	2	Screw-HWHTF
15	144-5469	1	Spindle ASM RH	28	131-8339-03	1	Reinforcement-Tower



Floor Plate and Rear Suspension Mount Assembly

Ref.	Part Number	Qty.	Description
1	104-8301	2	Nut-HF, NI
2	131-8466	1	Mount-Suspension, Rear
3	127-7820-03	1	Channel-Frame, Front (LH)
4	127-7821-03	1	Channel-Frame, Front (RH)
5	127-7829	1	Plate-Floor
6	131-8597	1	Plate-Gimbal, Upper
7	323-42	2	Screw-HH
8	127-7837-03	2	Bracket-Support, Floor Plate

Ref.	Part Number	Qty.	Description
9	127-7832	2	Bracket-Angle
10	32144-70	16	Screw-HWHTF
11	32144-49	4	Screw-HWHTF
12	132-6777	4	Screw-Twh Thd Roll
13	104-7201	4	Nut-HF, NI
14	110-4549	1	Washer-Snubbing
15	131-8480	1	Isolator
16	104-5877	1	Screw-HH



Rear Frame and Suspension Assembly

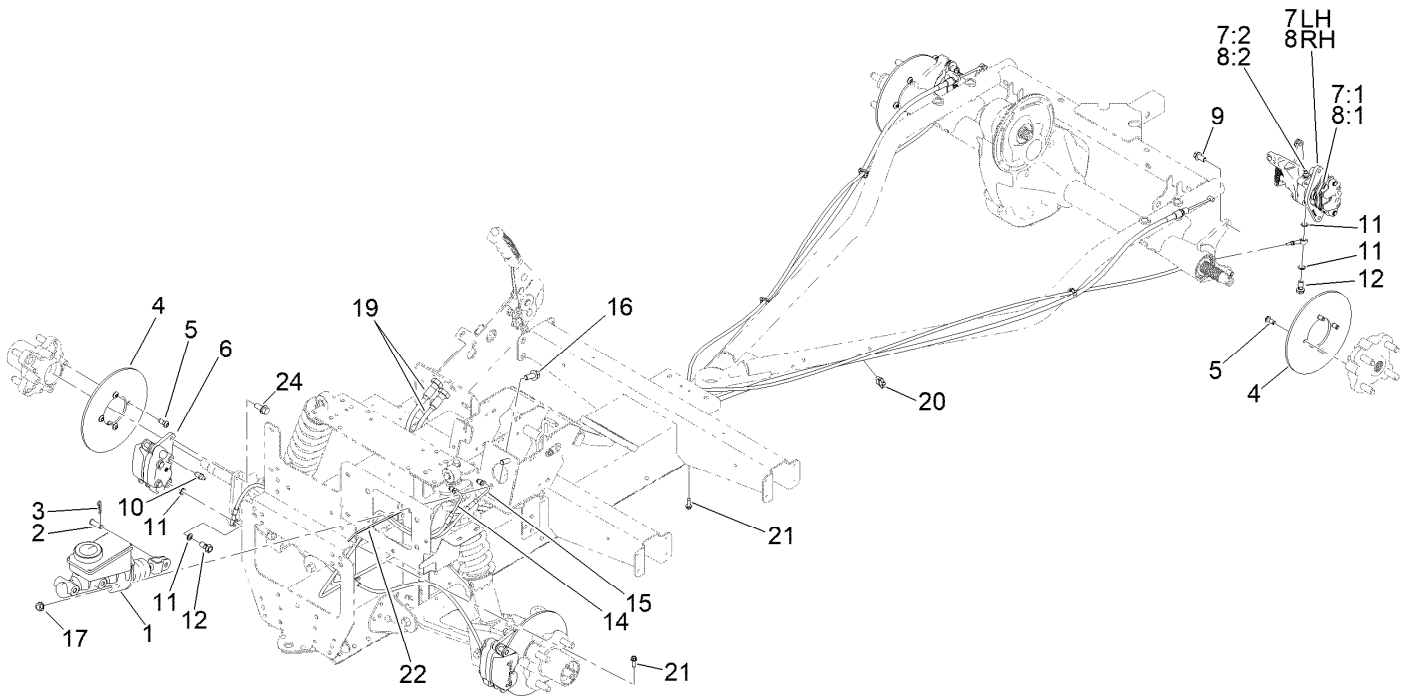
Ref.	Part Number	Qty.	Description
1	140-2498	1	Rear Frame ASM
1:2	115-2047	1	Decal-Surface, Hot
2	139-4647-03	1	Bracket-Stabilizer Bar
3	127-7411-03	1	Bracket-Bar, Stabilizer
4	3234-39	5	Screw-HHF
5	104-8301	9	Nut-HF, NI
6	3234-46	7	Screw-HHF
7	99-5107	11	Nut-Lock
8	109-5013	1	Panhard Rod ASM
8:2	109-5009	2	Bushing-Suspension, Rubber
8:3	109-5010	2	Spacer
9	86-1990	6	Washer-Thrust
10	131-8315	1	Bracket-Link, Sway Bar

Ref.	Part Number	Qty.	Description
11	3234-40	4	Screw-HF
14	139-4644	2	Clamp, Anti-Sway Bar
15	87-3910	2	Bushing-Rubber
16	131-8310-03	1	Bar-Sway, Anti
17	131-8394	2	Link-Bar, Sway
18	3231-22	4	Screw-CARR
19	131-8346	2	Panel-Side
20	125-9622	20	Rivet-Blind
21	3290-378	2	Tie-Cable
22	74-5950	2	Latch-Swell
25	137-6741	1	Ball Mount ASM
28	145-8005	1	Decal-Gtx EFI
31	140-4573	1	Extended Panel-Cover
31:2	99-7345	1	Decal-Warning



Frame Mount and Rear Shock/Spring Assembly

<i>Ref.</i>	<i>Part Number</i>	<i>Qty.</i>	<i>Description</i>
1	3234-39	8	Screw-HHF
2	104-8301	8	Nut-HF, NI
3	3234-46	4	Screw-HHF
4	99-5107	4	Nut-Lock
5	139-4607	2	Shock/Spring ASM
5:1	131-8574	2	Isolator-Shock



Brake Assembly

Ref.	Part Number	Qty.	Description	Ref.	Part Number	Qty.	Description
1	104-6782	1	Master Cylinder ASM	8:3	136-6328	2	Spring-Rattle, Anti ●
2	283-2	1	Pin-Clevis	9	144-5550	4	Screw-Spl
3	1-806003	1	Pin-Cotter	10	119-9509	2	Screw-Bleed
4	139-4474	4	Rotor-Brake	11	115-2341	8	Washer-Banjo
5	121-9671	16	Screw-HSBH	12	120-4875	4	Bolt-Flange, Banjo
6	140-2575	2	Brake Caliper ASM	14	127-7781	1	Brake Line-Front
7	140-2585	1	Brake Caliper ASM, LH	15	127-7782	1	Brake Line-Rear
7:1	140-2595	1	Brake Pad Service Kit (Rear, Qty 4)	16	3234-11	2	Screw-HHF
7:2	119-9509	1	Screw-Bleed	17	3290-357	2	Nut-HSF
7:3	136-6328	2	Spring-Rattle, Anti ●	19	131-8406	2	Cable-Park Brake
8	140-2590	1	Brake Caliper ASM, RH	20	32180-030	4	Clip-Tie
8:1	140-2595	1	Brake Pad Service Kit (Rear, Qty 4)	21	49-2040	2	Screw-HWHTF
8:2	119-9509	1	Screw-Bleed	22	3290-378	1	Tie-Cable
				24	3234-25	4	Screw-HHF

● Not illustrated



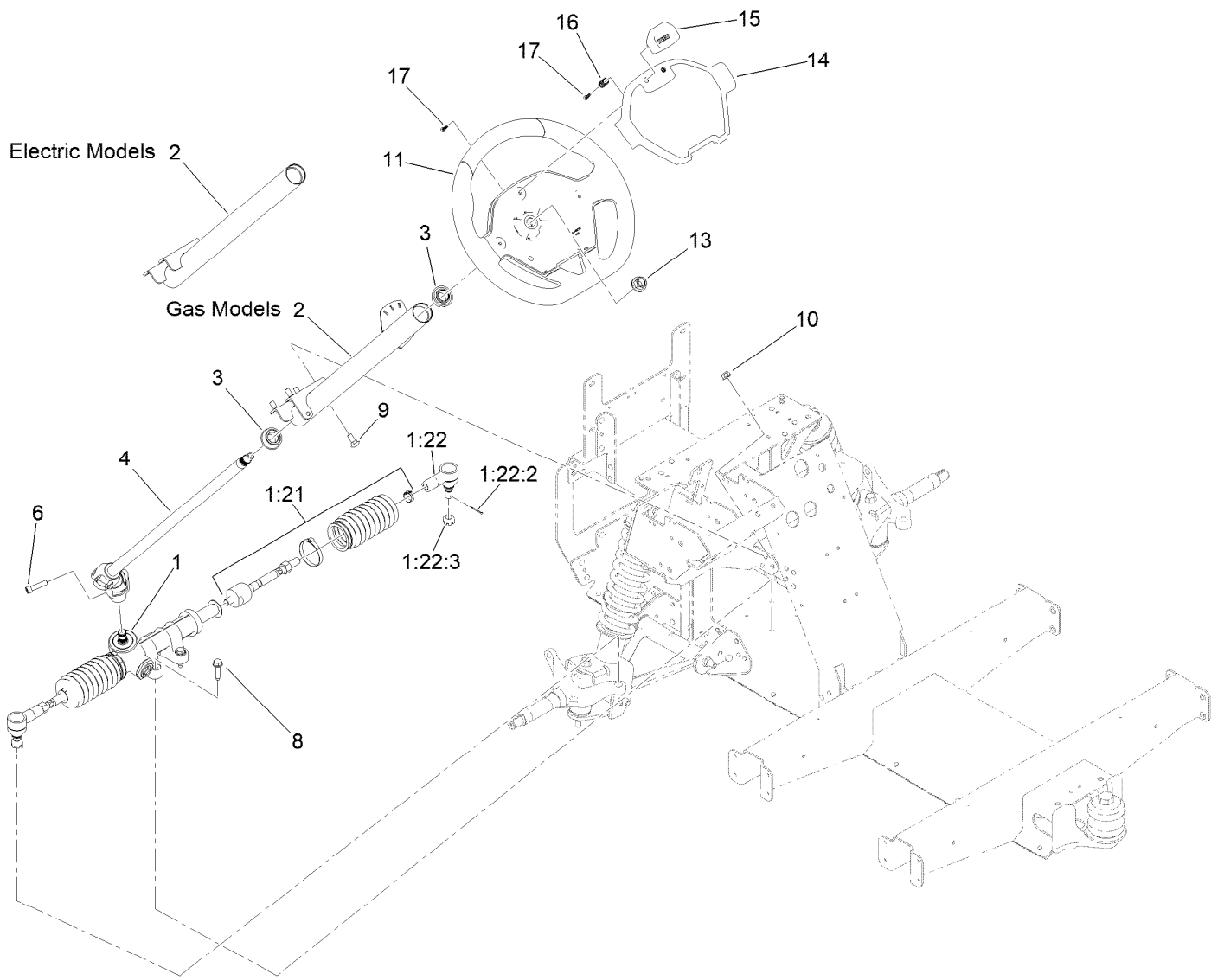
Master Cylinder Assembly No. 104-6782

Ref.	Part Number	Qty.	Description
1	104-6845	1	Reservoir ASM
1:1	92-4112	1	Cap ASM
2	93-8971	2	Seal-Port, Flange
3	92-4103	1	Pin-Stop
4	92-4102	1	Secondary Piston ASM
5	92-4110	1	Clevis
6	21-0360	1	Nut-Hex
7	94-5209	1	Cover-Dust
8	94-5210	1	Rod-Push
9	92-4109	1	Ring-Snap
10	92-4108	1	Retainer-Washer
11	92-4101	1	Primary Piston ASM



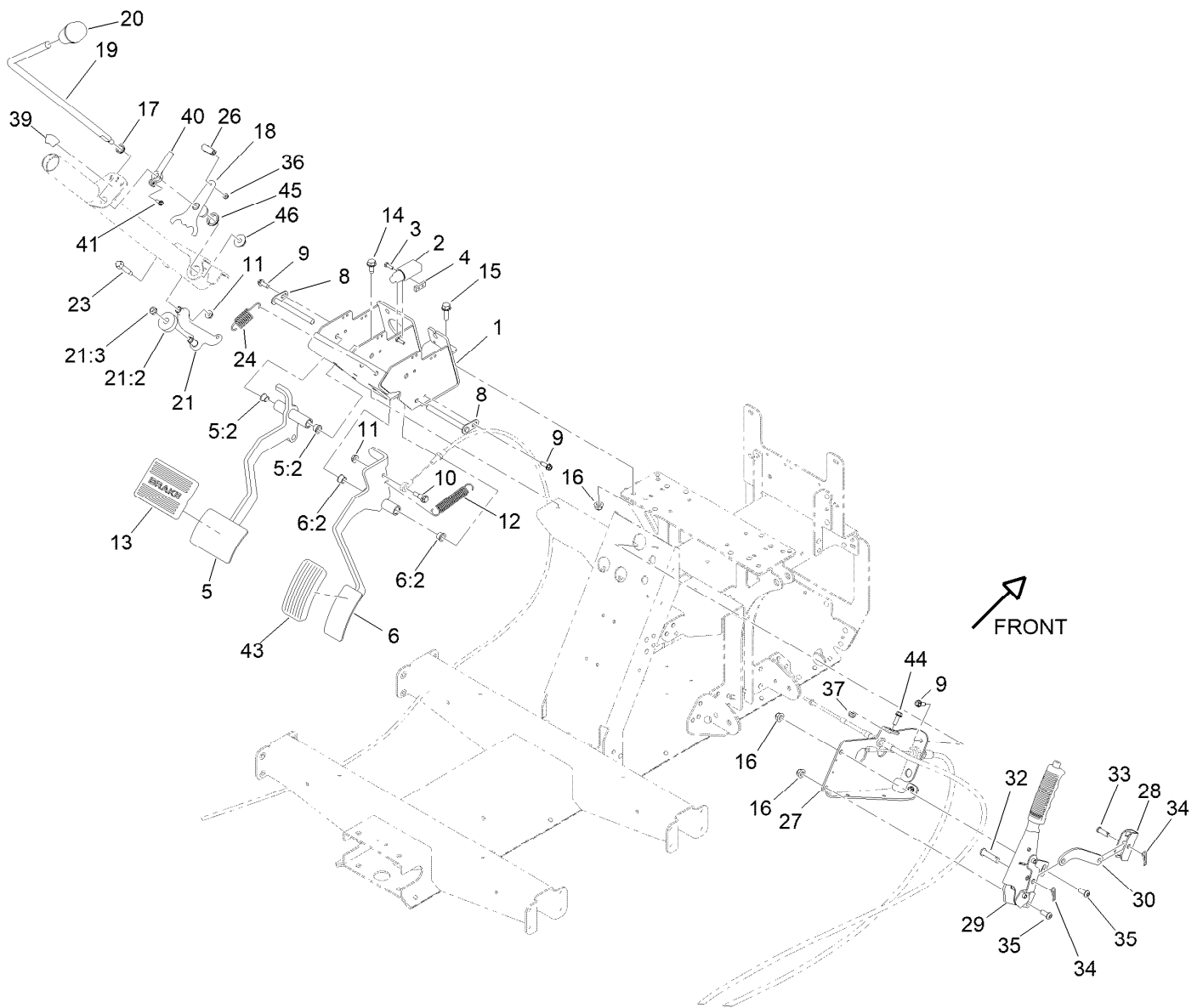
Brake Caliper Assembly No. 140-2575

<i>Ref.</i>	<i>Part Number</i>	<i>Qty.</i>	<i>Description</i>
1	140-2580	1	Brake Pad Service Kit (Front, Qty 4)
2	119-9511	1	Bracket Kit
3	133-0614	1	Piston Kit



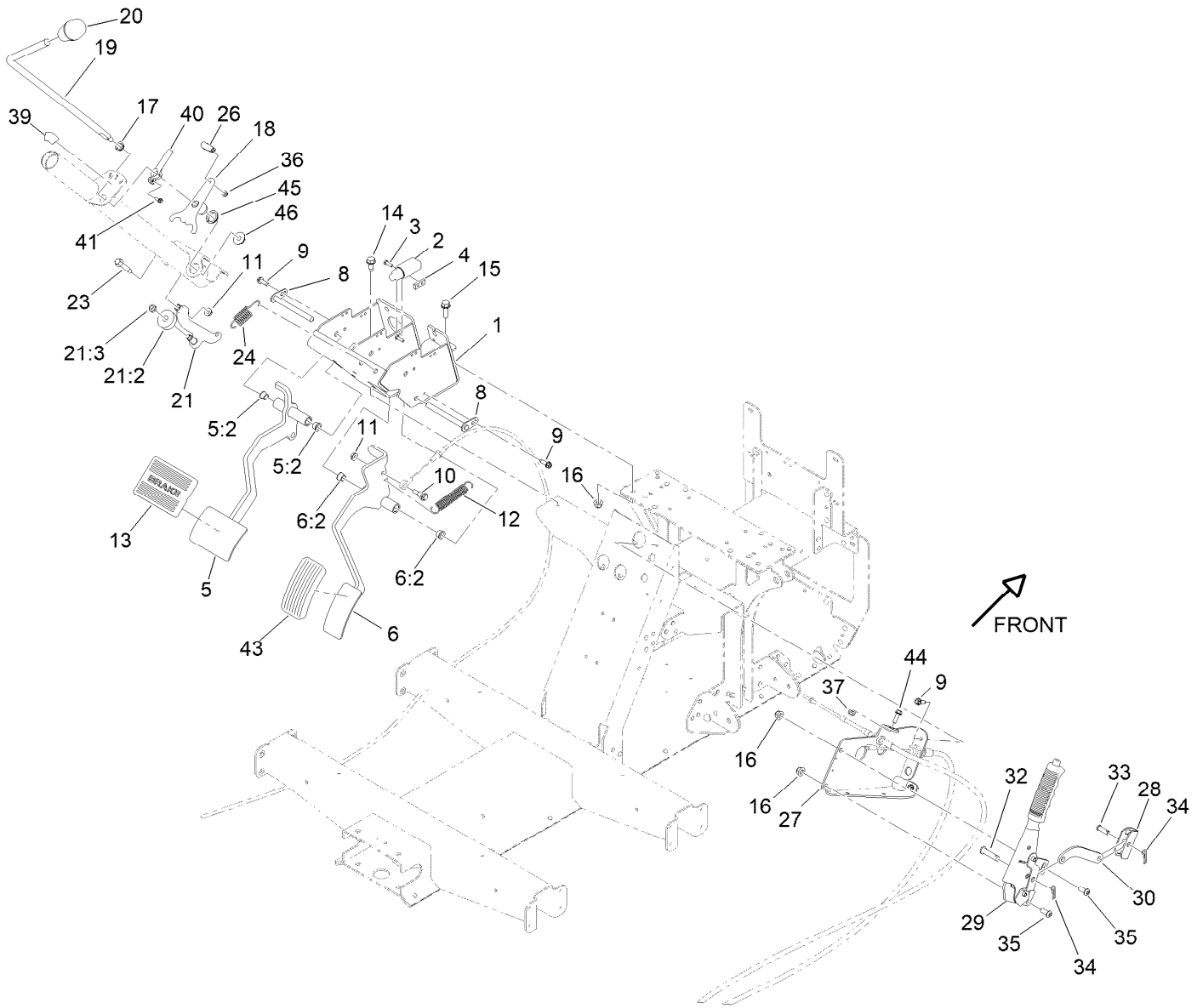
Steering Assembly

<i>Ref.</i>	<i>Part Number</i>	<i>Qty.</i>	<i>Description</i>	<i>Ref.</i>	<i>Part Number</i>	<i>Qty.</i>	<i>Description</i>
1	138-0114	1	Steering Rack ASM	8	32144-49	4	Screw-HWHTF
1:21	140-4591	1	Kit-Tie Rod ASM, Gtx	9	3230-1	4	Bolt-CARR
1:22	140-4592	1	Kit-Rod End ASM	10	104-8300	4	Nut-HF, NI
1:22:2	3272-42	1	Pin-Cotter	11	144-5570	1	Steering Wheel ASM
1:22:3	140-2493	1	Nut-Hex, Slotted	13	99-5107	1	Nut-Lock
2	147-8007	1	Steering Column ASM, Gtx	14	144-5567	1	Cover-Wheel, Steering
3	112-3262	2	Bearing	15	144-5566	1	Clip-Wheel, Steering
4	145-2050	1	Steering Shaft ASM	16	144-5537	2	Spring-Compression
6	145-7145	1	Screw-HSH,Lock	17	94-4496	5	Screw-PPH



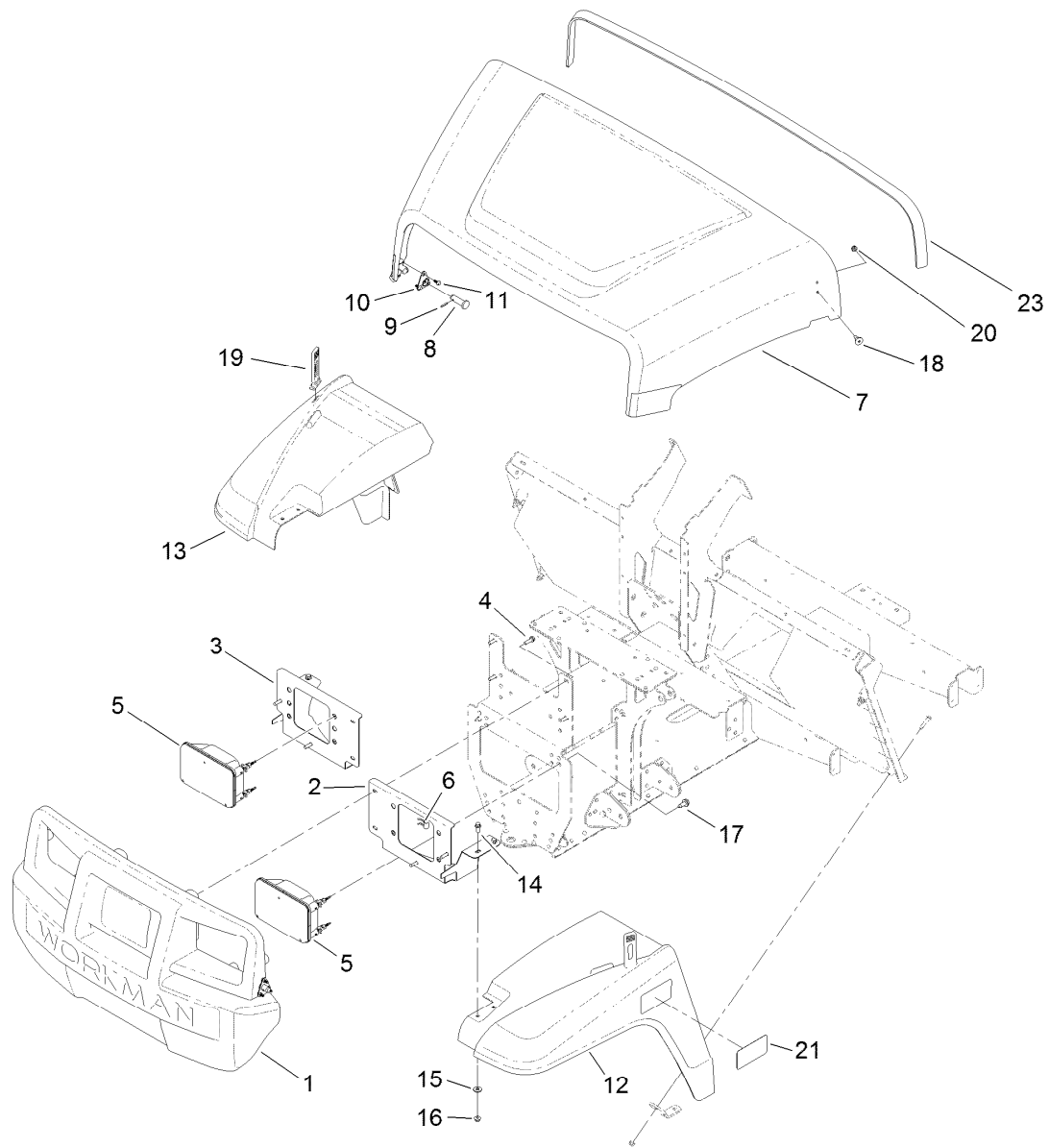
Pedal and Control Assembly

Ref.	Part Number	Qty.	Description	Ref.	Part Number	Qty.	Description
1	127-8817-03	1	Mount-Pedal	21	138-6432	1	Detent Arm Assembly
2	99-7407	1	Switch	21:2	145-2095	1	Bushing-Detent, Shift
3	3290-134	2	Screw	21:3	3296-47	1	Nut-Lock,NI
4	1-633181	1	Plate-Tapped	23	116-6876	1	Screw-Shoulder
5	138-9385	1	Brake Pedal ASM	24	131-8419	1	Spring-Extension
5:2	256-116	2	Bushing-Flange	26	2411-38	1	Joint-Ball
6	138-9390	1	Throttle Pedal ASM, Gtx	27	140-4836-03	1	Mount-Park Brake
6:2	256-116	2	Bushing-Flange	28	87-3480	1	Bracket-Equalizer, Cable
8	131-8459	2	Shaft-Pivot	29	131-8320	1	Lever-Brake, Park
9	49-2040	4	Screw-HWHTF	30	144-0516	1	Link-Park, Brake
10	104-0858	1	Bolt-Shoulder	32	283-10	1	Pin-Clevis
11	32128-33	2	Nut-HF	33	1-808280	1	Pin-Clevis
12	67-1450	1	Spring-Idler	34	1-806003	2	Pin-Cotter
13	7-3900	1	Pad-Brake	35	3274-55	2	Screw-HSBH
14	32144-70	2	Screw-HWHTF	36	3296-27	1	Nut-Lock, NI
15	3234-29	1	Screw-HHF	37	104-7201	1	Nut-HF, NI
16	104-8300	3	Nut-HF, NI	39	131-8463	1	Decal-Shift
17	110-3318	1	Bushing-Snap	40	144-5419	1	Indicator-Gear
18	144-5438	1	Shift Arm	41	117-5036	1	Screw-Plastic, HWH
19	144-5439	1	Shaft-Shift	43	140-4572	1	Pedal Pad-Throttle
20	131-8473	1	Knob-Tapered	44	115-5103	1	Screw-HHF



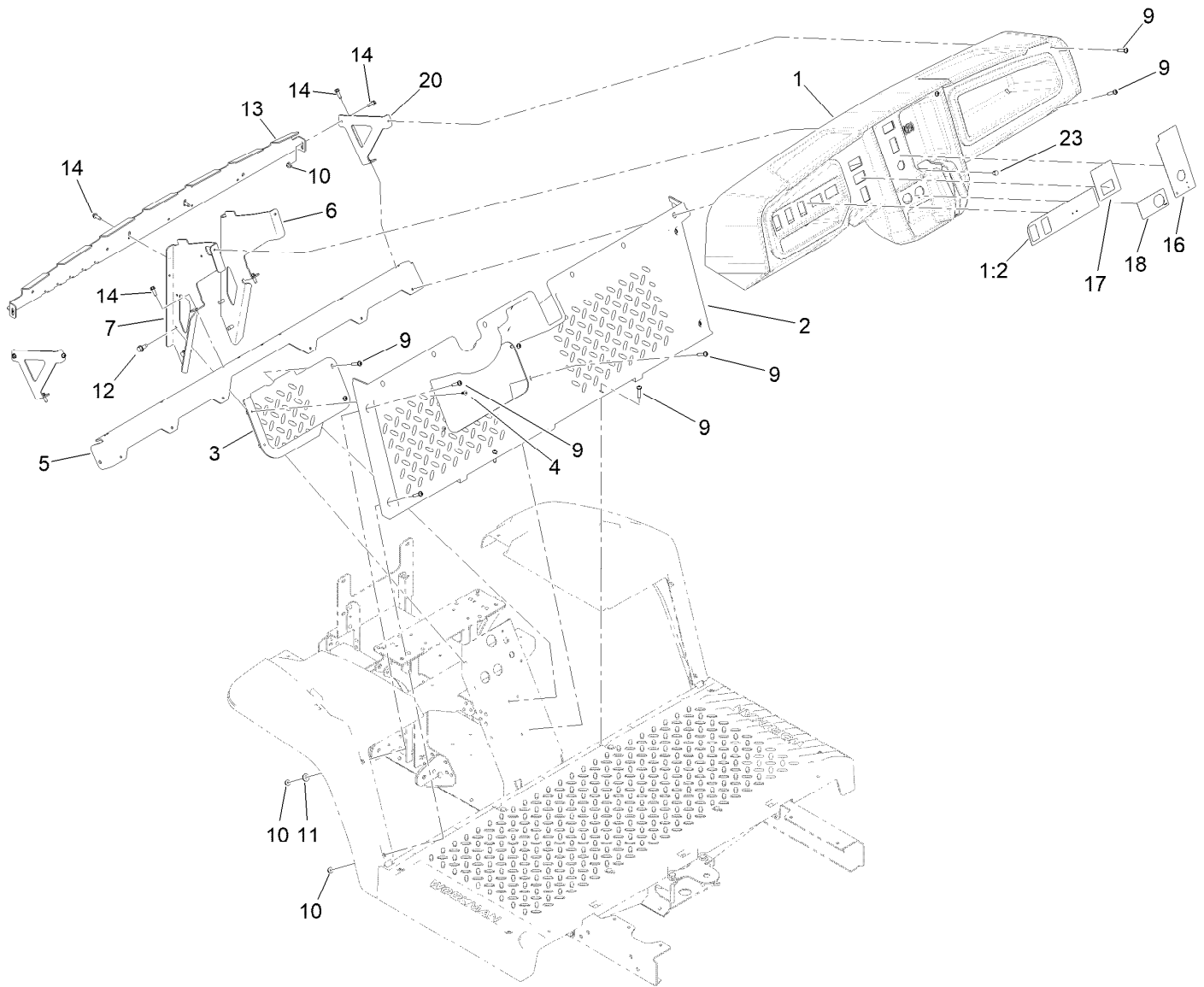
Pedal and Control Assembly (continued)

<i>Ref.</i>	<i>Part Number</i>	<i>Qty.</i>	<i>Description</i>
45	114-8893	1	Bushing-Clip
46	32128-30	1	Nut-HF



Hood and Fender Assembly

<i>Ref.</i>	<i>Part Number</i>	<i>Qty.</i>	<i>Description</i>	<i>Ref.</i>	<i>Part Number</i>	<i>Qty.</i>	<i>Description</i>
1	132-8530	1	Bumper	12	127-7771	1	Fender-Front, LH
2	131-8455-03	1	Bracket-Headlight, LH	13	127-7772	1	Fender-Front, RH
3	131-8456-03	1	Bracket-Headlight, RH	14	3234-33	4	Screw-HHF
4	46-8091	8	Screw-HWH	15	3256-2	4	Washer-Flat
5	138-9260	2	Headlight ASM	16	104-7201	4	Nut-HF, NI
6	115-2408	6	Clip-Speed	17	32144-70	2	Screw-HWHTF
7	136-6281	1	Hood	18	125-1122	2	Screw
8	117-5094	2	Pin-Clevis	19	131-8402	2	Strap-Down, Hold
9	32121-50	2	Pin-Spring	20	3296-56	2	Nut-Lock, NI
10	112-3308	2	Retainer-Pin	21	138-3527	2	Decal-Fender
11	121-9605	6	Screw-HWH	23	133-7210	1	Seal-Trim, Hood

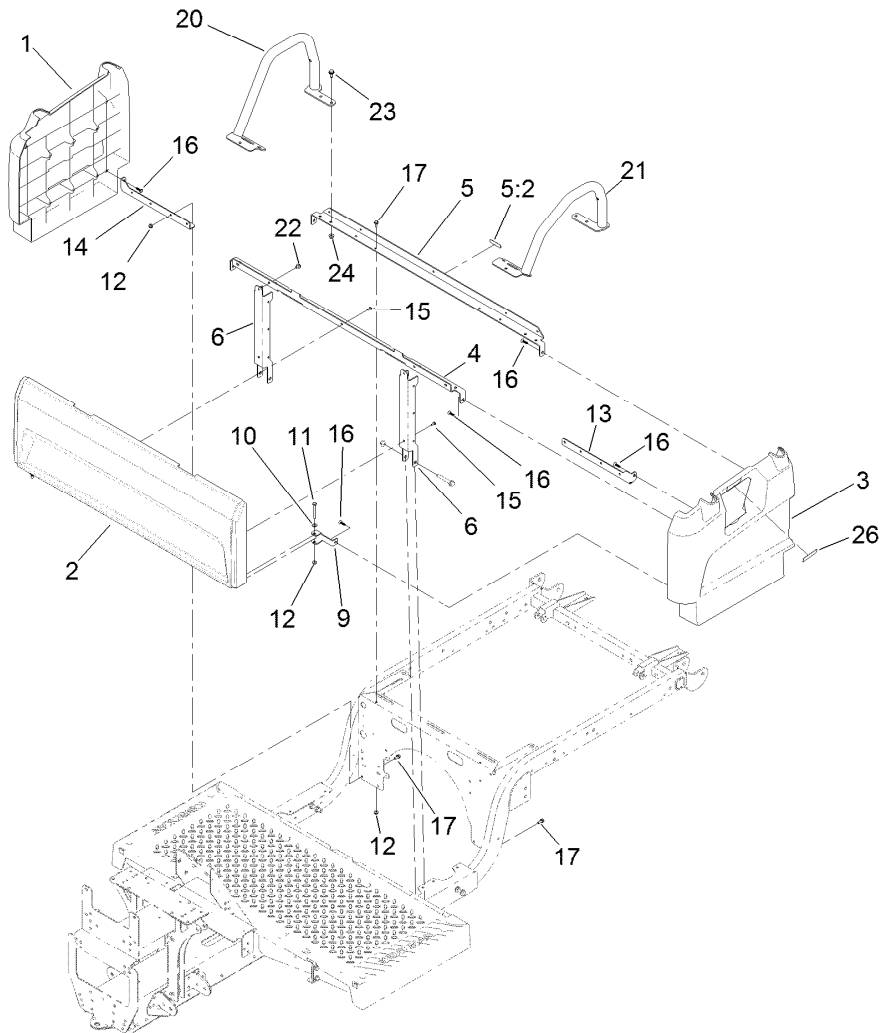


Dash Assembly

<i>Ref.</i>	<i>Part Number</i>	<i>Qty.</i>	<i>Description</i>	<i>Ref.</i>	<i>Part Number</i>	<i>Qty.</i>	<i>Description</i>
1	145-2099	1	Dash-Gtx	11	3256-2	2	Washer-Flat
1:2	145-2261	1	Decal-Dashboard, Gtx	12	32144-70	4	Screw-HWHTF
2	147-8212	1	Footboard	13	131-8568-03	1	Reinforcement-Dash
3	127-7847	1	Cover-Footboard	14	49-2040	8	Screw-HWHTF
4	107-7461	2	Screw-Plastite	16	145-2262	1	Decal-Control Panel, Gas EFI
5	127-7831-03	1	Angle	17	145-2265	1	Decal-Dash Center, Gas EFI
6	131-8336-03	1	Bracket-Dash, RH	18	131-8493	1	Decal-USB
7	145-2094-03	1	Bracket-Dash, LH	20	131-8569-03	2	Bracket-Dash, Side
9	132-6777	20	Screw-Twh Thd Roll	23	104-9368	1	Plug-Dome
10	104-7201	6	Nut-HF, NI				

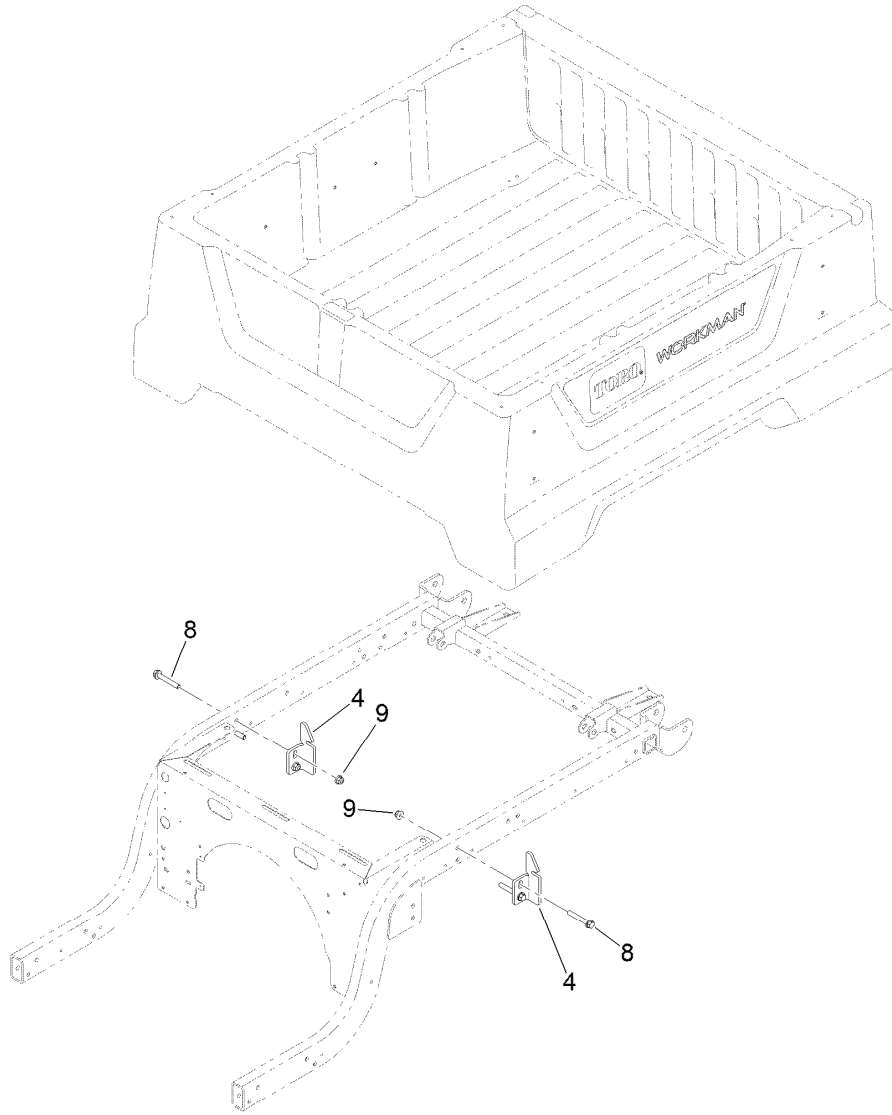
Reference Model 07048 For Bucket Seat Base Kit Parts

Reference Model 07047 For Bench Seat Base Kit Parts



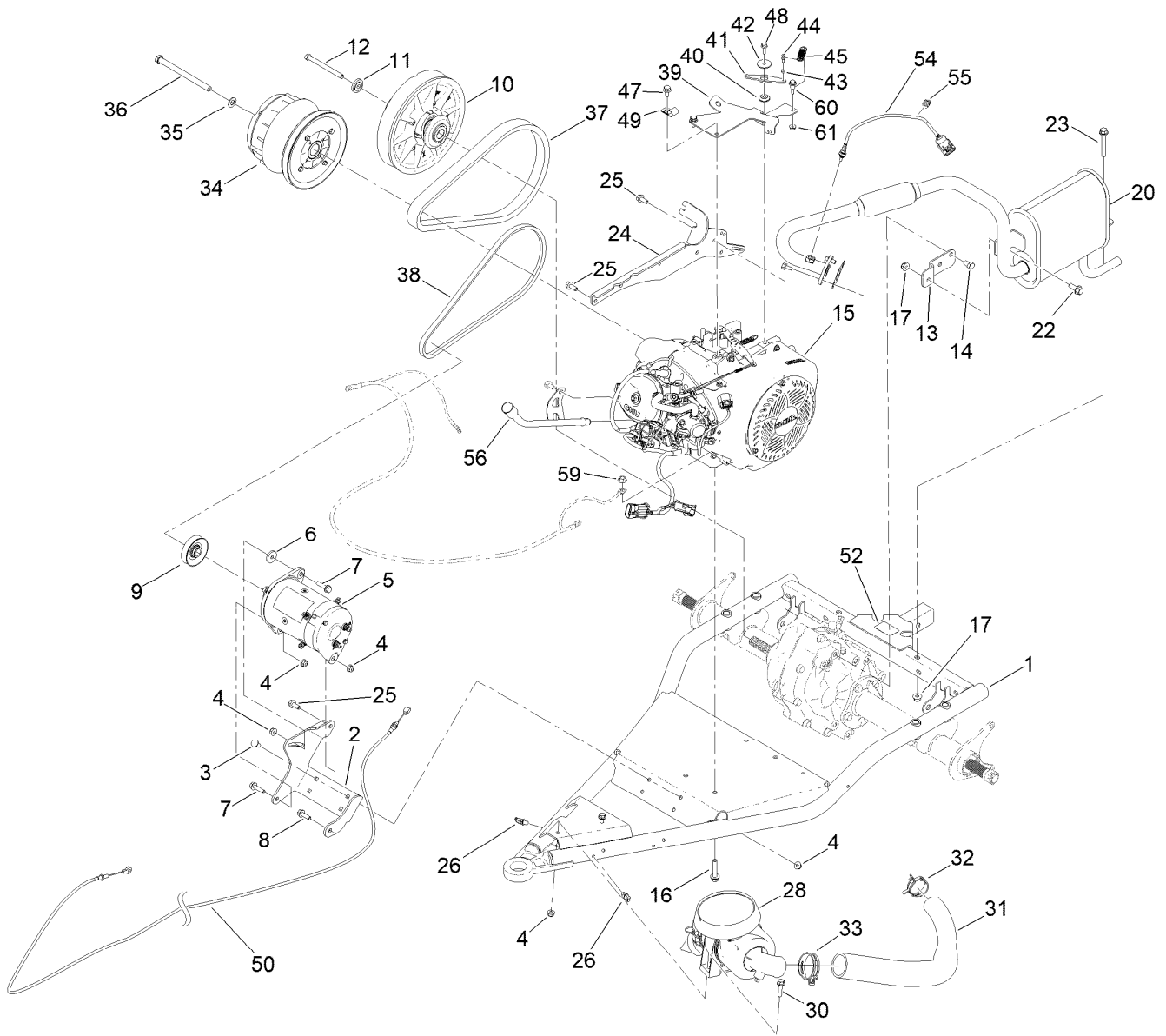
Seatbase Assembly

Ref.	Part Number	Qty.	Description	Ref.	Part Number	Qty.	Description
1	127-7805	1	Side-Base, Seat (RH)	13	127-7842-03	1	Bracket-Support, Side (LH)
2	133-7188	1	Panel-Base, Seat	14	127-7843-03	1	Bracket-Support, Side (RH)
3	127-7807	1	Side-Base, Seat (LH)	15	112-6349	5	Screw-HWH
4	133-7345-03	1	Support-Seat	16	120-2349	8	Screw
5	137-6991	1	Seat Support ASM	17	3234-33	6	Screw-HHF
5:2	120-9570	1	Decal-Warning	20	145-2075-05	1	Hip Restraint ASM, RH
6	127-7841-03	2	Channel-Support, Seat	21	145-2070-05	1	Hip Restraint ASM, LH
9	127-7844-03	2	Clamp-Plate, Floor	22	46-6810	2	Screw And Washer ASM
10	3256-22	2	Washer-Flat	23	32144-70	6	Screw-HWHTF
11	321-18	2	Screw-HH	24	104-8300	6	Nut-HF, NI
12	104-7201	8	Nut-HF, NI	26	131-8410	1	Decal-Danger, Fuel



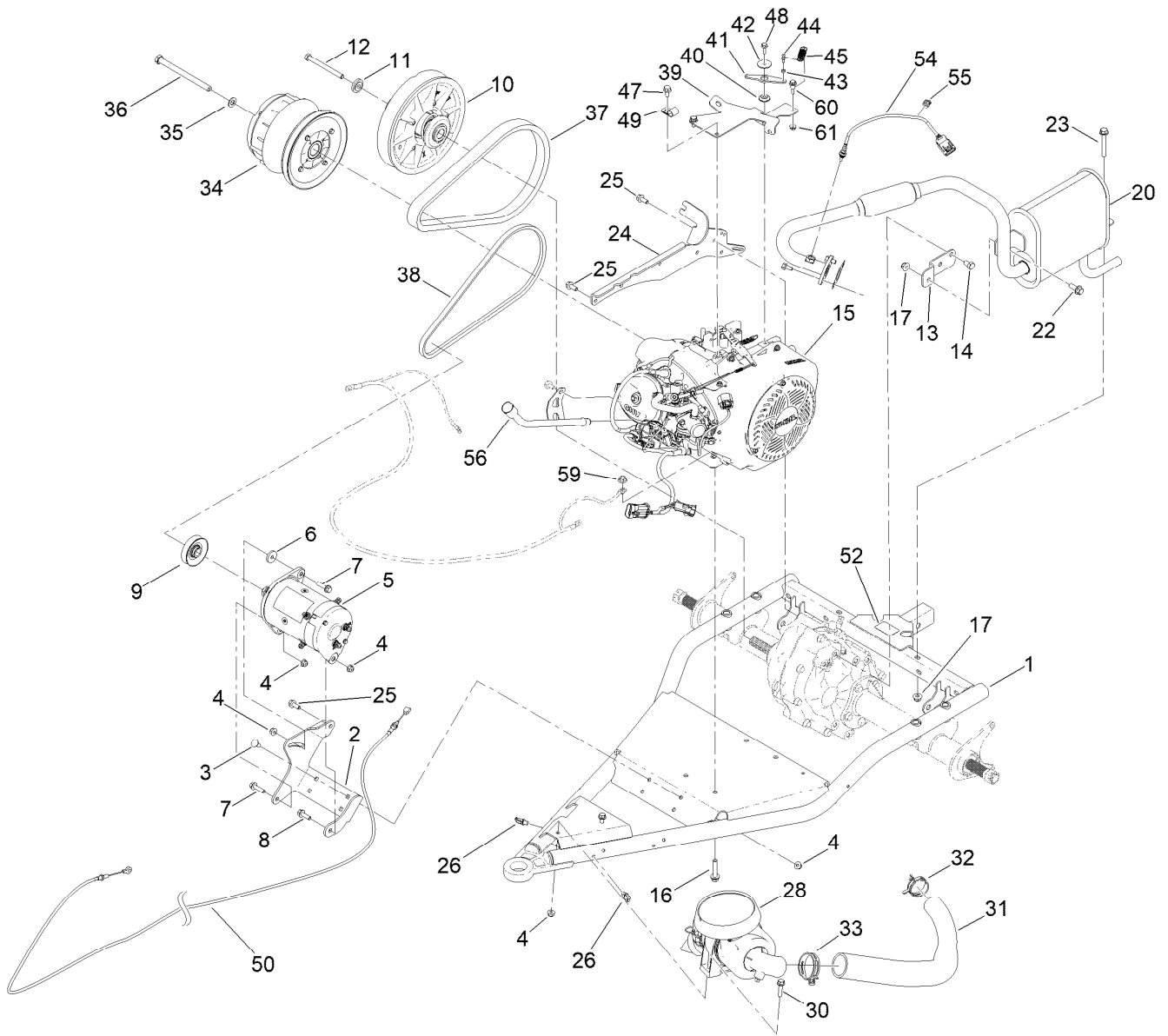
Cargo Bed Assembly

<i>Ref.</i>	<i>Part Number</i>	<i>Qty.</i>	<i>Description</i>
4	127-7428-03	2	Striker-Latch, Bed
8	3234-39	4	Screw-HHF
9	104-8301	4	Nut-HF, NI



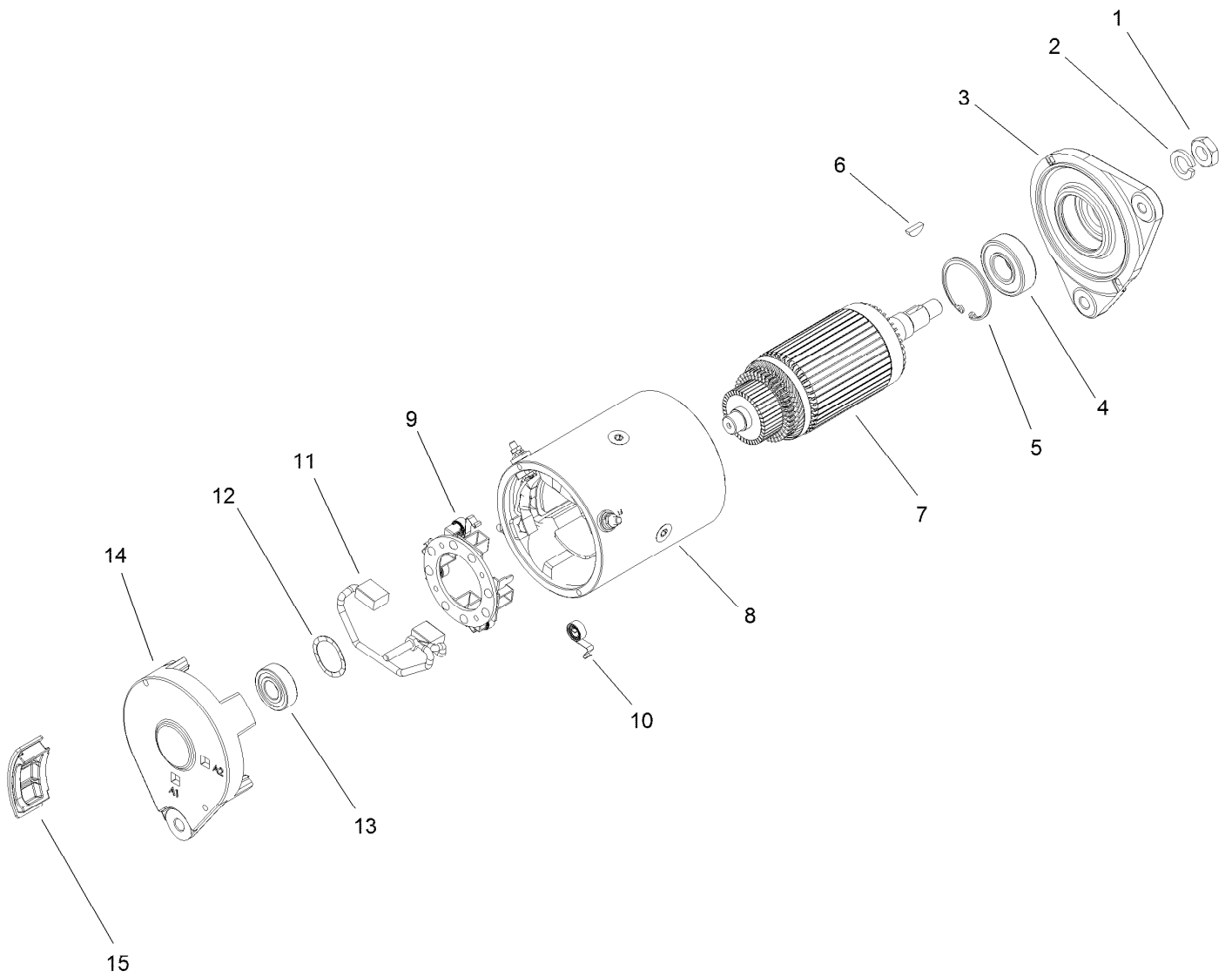
Engine Assembly

Ref.	Part Number	Qty.	Description	Ref.	Part Number	Qty.	Description
1	140-2558-03	1	Gtx Swing Arm ASM	25	139-3392	6	Screw-Lock
2	131-8503-03	1	Bracket-Starter/Generator	26	32180-030	2	Clip-Tie
3	3230-23	4	Bolt-CARR	28	138-3447	1	Air Cleaner ASM
4	104-8300	9	Nut-HF, NI	30	3234-36	2	Screw-HHF
5	131-8444	1	Starter/Generator ASM	31	131-8489	1	Hose-Intake, Air
6	65-8270	1	Washer	32	145-2272	1	Clamp-Sc Band
7	119-4036	2	Screw-HHF	33	144-2249	1	Clamp-Sc Band
8	3234-29	1	Screw-HHF	34	138-0095	1	Primary Clutch ASM
9	121-6277	1	Pulley-Drive	35	3256-25	1	Washer-Flat
10	119-6011	1	Secondary Clutch ASM	36	131-8521	1	Screw-HH
11	104-6563	1	Washer-Stepped	37	131-8567	1	Belt-Variable
12	119-0723	1	Screw-HH, Lock	38	94-8803	1	V-Belt, Impeller
13	131-8329	1	Bracket-Muffler	39	144-2186	1	Bracket-Throttle
14	70-8470	2	Screw-HH	40	131-8524	1	Bushing-Flange
15	145-2280	1	Engine-Kohler, Ech440	41	131-8504	1	Lever-Throttle
16	140-4808	4	Screw-HHF	42	3256-55	1	Washer-Flat
17	104-8301	2	Nut-HF, NI	43	110-2619	1	Keeper-Spring
20	138-9275	1	Exhaust ASM	44	99-7847	1	Ball-Stud
22	3234-42	1	Screw-HHF	45	71-5470	1	Spring-Brake
23	3234-39	1	Screw-HHF	47	33104-016	2	Screw-HHF
24	140-4648	1	Plate-Spanner	48	33103-020	1	Screw-HHF



Engine Assembly (continued)

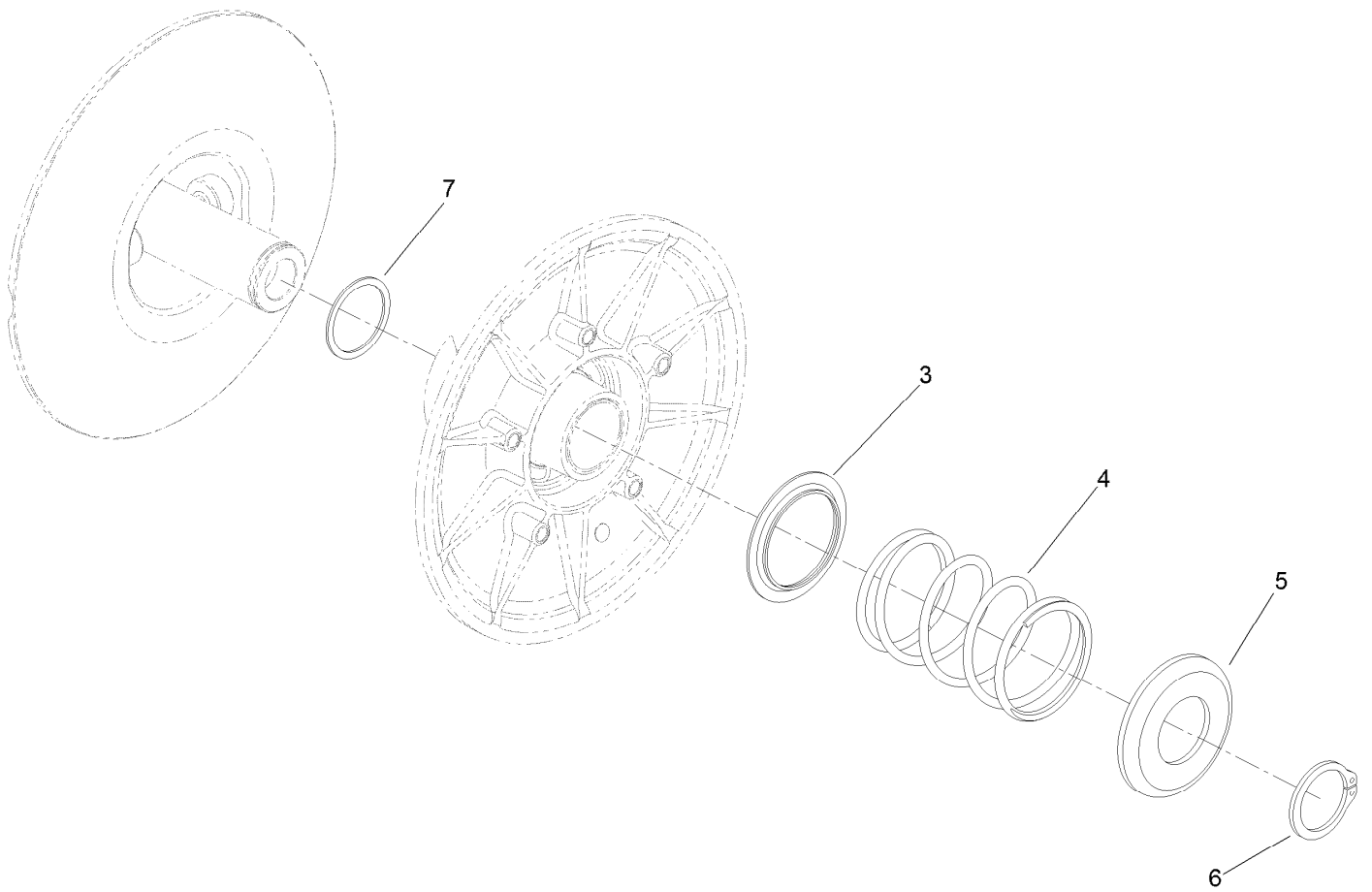
<i>Ref.</i>	<i>Part Number</i>	<i>Qty.</i>	<i>Description</i>	<i>Ref.</i>	<i>Part Number</i>	<i>Qty.</i>	<i>Description</i>
49	2412-138	1	R-Clamp	56	140-4595	1	Dip Stick Tube ASM
50	127-8860	1	Cable-Accelerator	59	139-3380	4	Nut-HF
52	137-9984	1	Decal-Load, Towing	60	104-0858	1	Bolt-Shoulder
54	136-6348	1	Sensor-O2	61	32128-33	1	Nut-HF
55	32180-226	1	Clip-Edge, Perpendicular W/Tie				



Starter Generator Assembly No. 131-8444

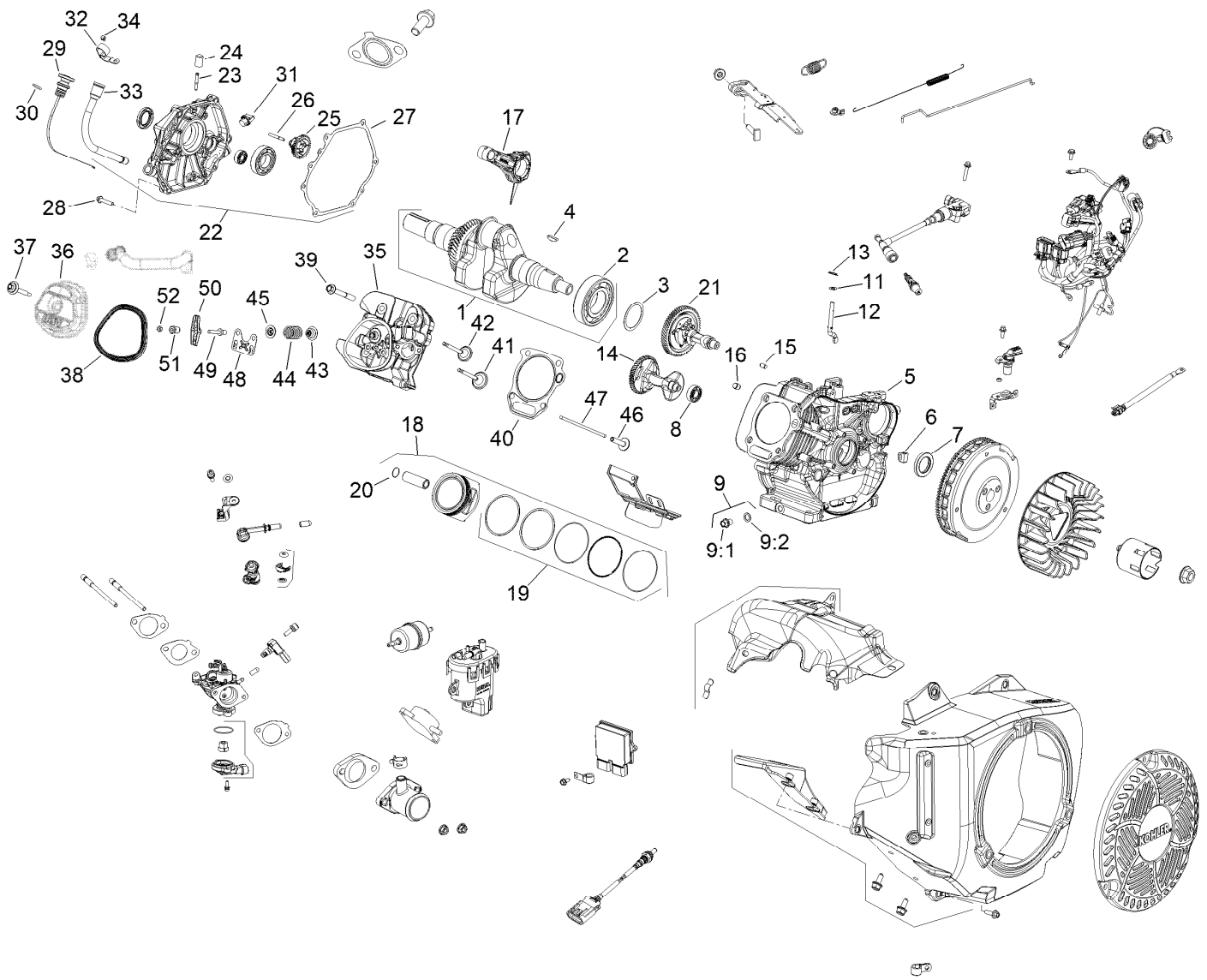
Ref.	Part Number	Qty.	Description
1	119-9651	1	Nut
2	119-9652	1	Washer-Lock
3	133-0599	1	Head-Drive End
4	119-9655	1	Bearing
5	119-9656	1	Ring-Retaining
6	119-9657	1	Key-Woodruff
7	119-9658	1	Armature ASM
8		1	Frame And Field Assembly ●
9	119-9661	1	Brush Box ASM
10	119-9660	4	Spring-Brush
11	119-9659	1	Brush Lead And Terminal Service Kit
12	119-9662	1	Washer-Wave
13	119-9663	1	Bearing
14		1	Head-End, Cummutator ●
15	133-0600	4	Plug-Rubber

● Not serviced separately



Secondary Clutch Assembly No. 119-6011

<i>Ref.</i>	<i>Part Number</i>	<i>Qty.</i>	<i>Description</i>
3	119-0809	1	Cup-Spring Retainer, Inner
4	119-9360	1	Spring-Compression, Black/Almond
5	119-0810	1	Cup-Spring Retainer, Outer
6	119-0811	1	Ring-Retaining
7	119-6018	1	Shim-Thrust

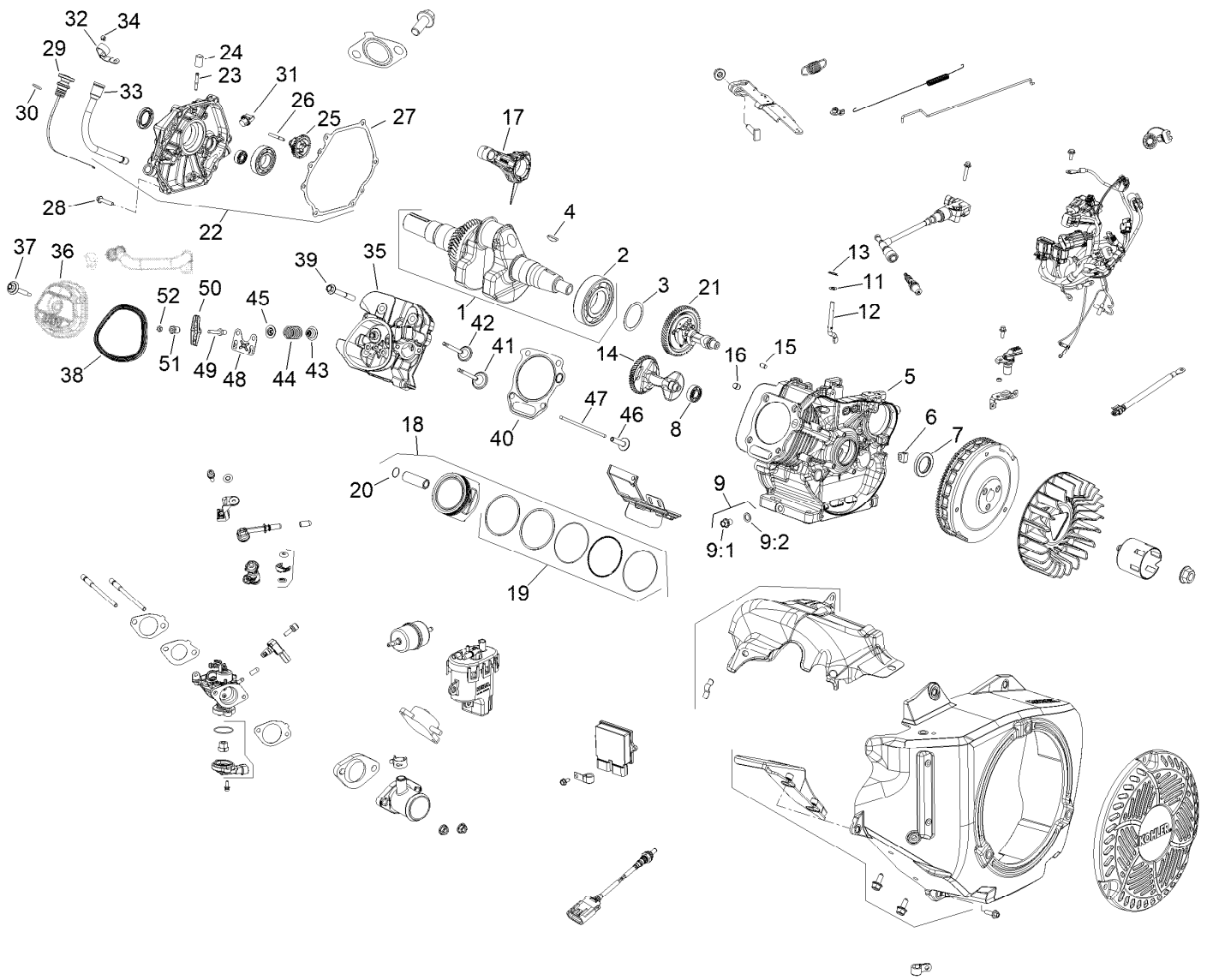


Engine Assembly No. 145-2280

Ref.	Part Number	Qty.	Description	Ref.	Part Number	Qty.	Description
1	136-4909	1	Crankshaft ASM	18	136-4977	1	Piston W/Ring Set (STD)
2	136-4918	2	Bearing-Crankshaft	18	136-4978	1	Piston Kit (0.25 Os)
3	136-4917	4	Bearing-Shaft, Balance	18:1		1	Piston (STD) ●■
4	136-4906	1	Key-Flywheel	18:1		1	Piston (0.25 Os) ●■
5		1	Crankcase (Not Serviced) ■	18:2	136-4937	1	Ring Set ●
6	136-4957	1	Grommet-Crankcase	18:2		1	Ring Set (0.25 Os) ●■
7	136-4920	2	Seal-Crankshaft	18:3	136-4913	2	Retainer-Piston ●
8	136-4916	2	Adapter-Inlet, Air	18:3	136-4913	2	Retainer-Piston ●
9	136-4942	2	Drain Plug Kit	18:4		1	Wrist Pin ●■
9:1		1	Plug-Drain ■	18:4		1	Pin-Wrist ●■
9:2	136-4967	1	Washer-Plug, Drain	19	136-4937	2	Ring Set
11	136-4968	2	Washer-Flat	20	136-4913	2	Retainer-Piston
12	136-4944	1	Shaft-Cross, Governor	21	136-4908	1	Camshaft ASM
13	136-4904	1	Clip-Shaft, Governor	22	140-2402	1	Kit-Closure Plate
14	136-4945	1	Shaft-Balance	23	136-4955	1	Fitting-Pump, Pulse
15	136-4965	2	Pin-Dowel	24	140-2403	1	Cap-Masking
16	136-4964	2	Pin-Dowel, Cylinder Head	25	136-4956	1	Governor ASM
17	140-2401	1	Connecting Rod ASM	26	136-4943	1	Shaft-Gear, Governor

● Not illustrated

■ Not serviced separately

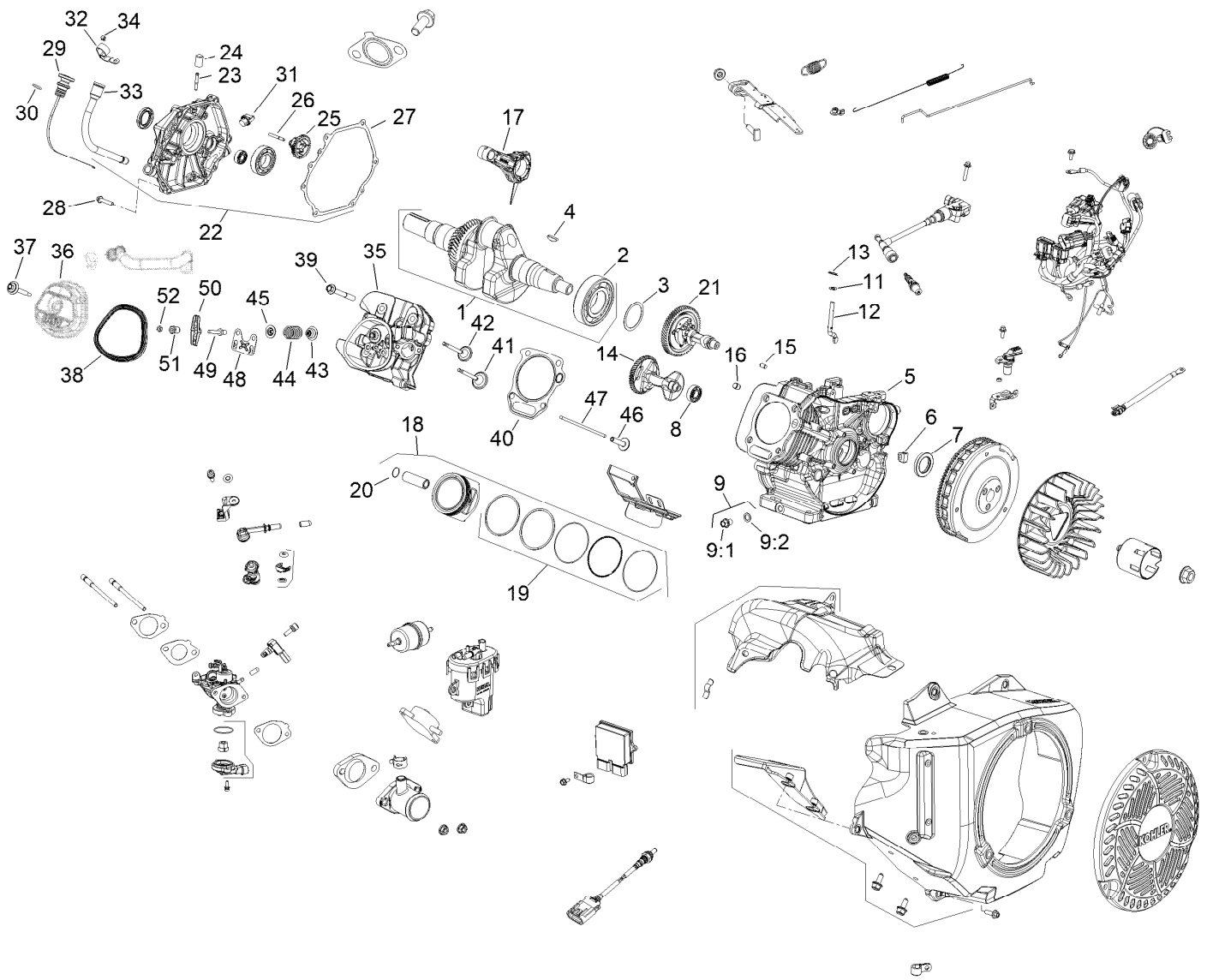


Engine Assembly No. 145-2280 (continued)

Ref.	Part Number	Qty.	Description	Ref.	Part Number	Qty.	Description
27	136-4923	1	Gasket-Plate, Closure	36:3:1		1	Screw-Cover, Valve ●■
28	136-4983	7	Screw-Plate, Closure	36:3:2		1	Gasket-Screw, Valve Cover ●■
29	140-2404	1	Dipstick ASM	37	136-4988	1	Screw (Valve Cover Seal ASM)
30	140-2405	1	O-Ring-Dipstick Cap	37:1		1	Screw-Cover, Valve ●■
31	136-4952	1	Oil Fill Cap ASM	37:2		1	Gasket-Screw, Valve Cover ●■
31:1		1	Oil Fill Cap ●■	38	136-4927	1	Gasket-Cover, Valve
31:2		1	Gasket ●■	39	140-2407	4	Screw-Hex Flange
32	140-2406	1	Bracket-Dipstick Tube	40	140-2408	1	Head Gasket Kit
33	140-4595	1	Dip Stick Tube ASM	41	136-4911	1	Valve-Intake
34	136-4991	1	Screw-HF	42	136-4912	1	Retainer-Spring, Valve
35	136-4961	1	Cylinder Head Kit	43	136-4919	2	Seal-Stem, Valve
35:1		1	Head-Cylinder ●■	44	136-4931	2	Spring-Valve
35:2	136-4929	2	Stud-Intake ●	45	136-4912	2	Retainer-Spring, Valve
36	145-2289	1	Valve Cover Kit	46	136-4963	2	Lifter-Valve
36:1		1	Cover-Valve ●■	47	136-4966	2	Rod-Push
36:2	136-4927	1	Gasket-Cover, Valve ●				
36:3	136-4988	1	Screw (Valve Cover Seal ASM) ●				

● Not illustrated

■ Not serviced separately



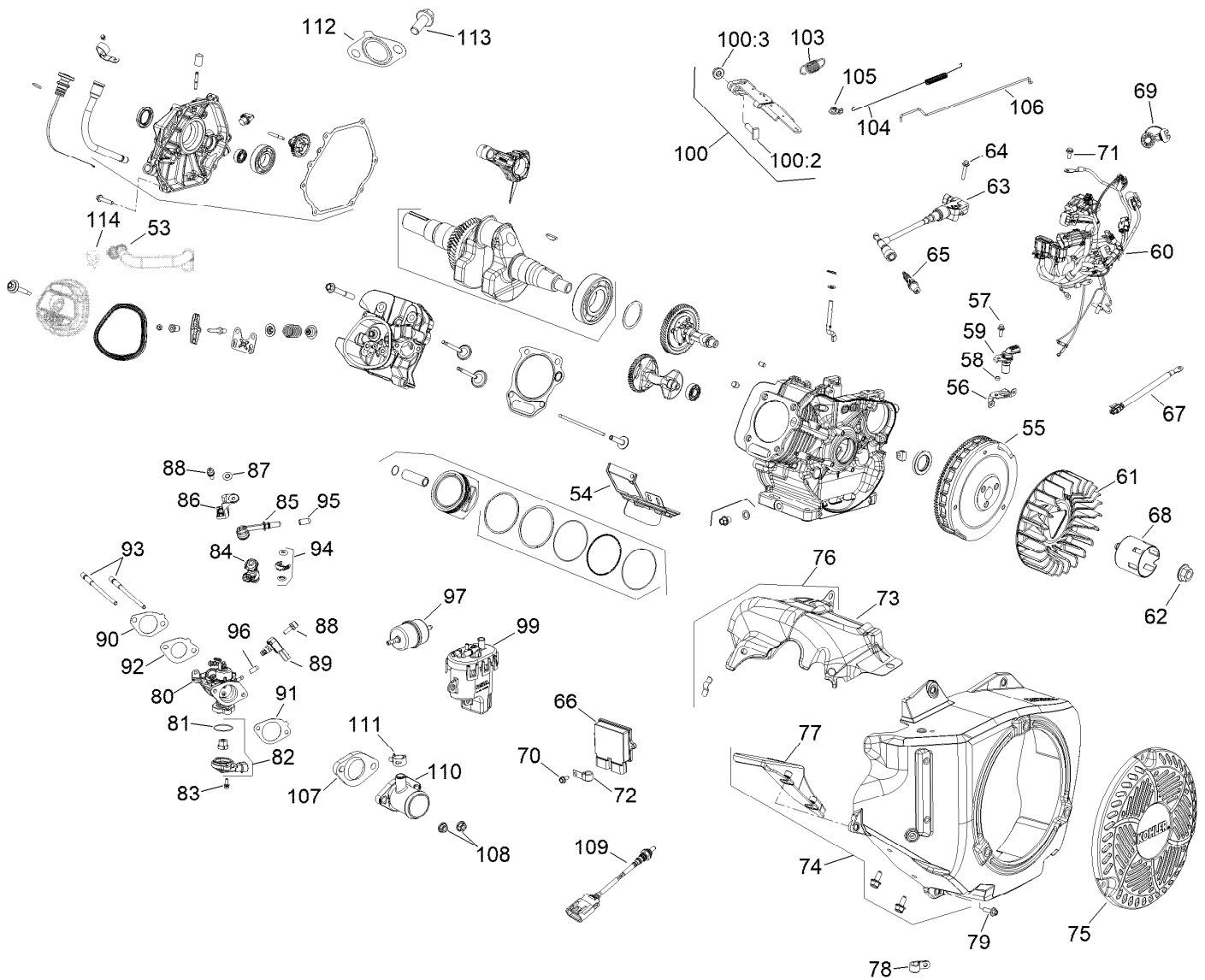
Engine Assembly No. 145-2280 (continued)

Ref.	Part Number	Qty.	Description
48	136-4946	1	Plate-Guide, Pushrod
49	136-4900	2	Stud-Arm, Rocker
50	136-4953	2	Arm-Rocker

Ref.	Part Number	Qty.	Description
51	136-4907	2	Pivot-Arm, Rocker
52	136-4901	2	Nut-HJ

● Not illustrated

■ Not serviced separately

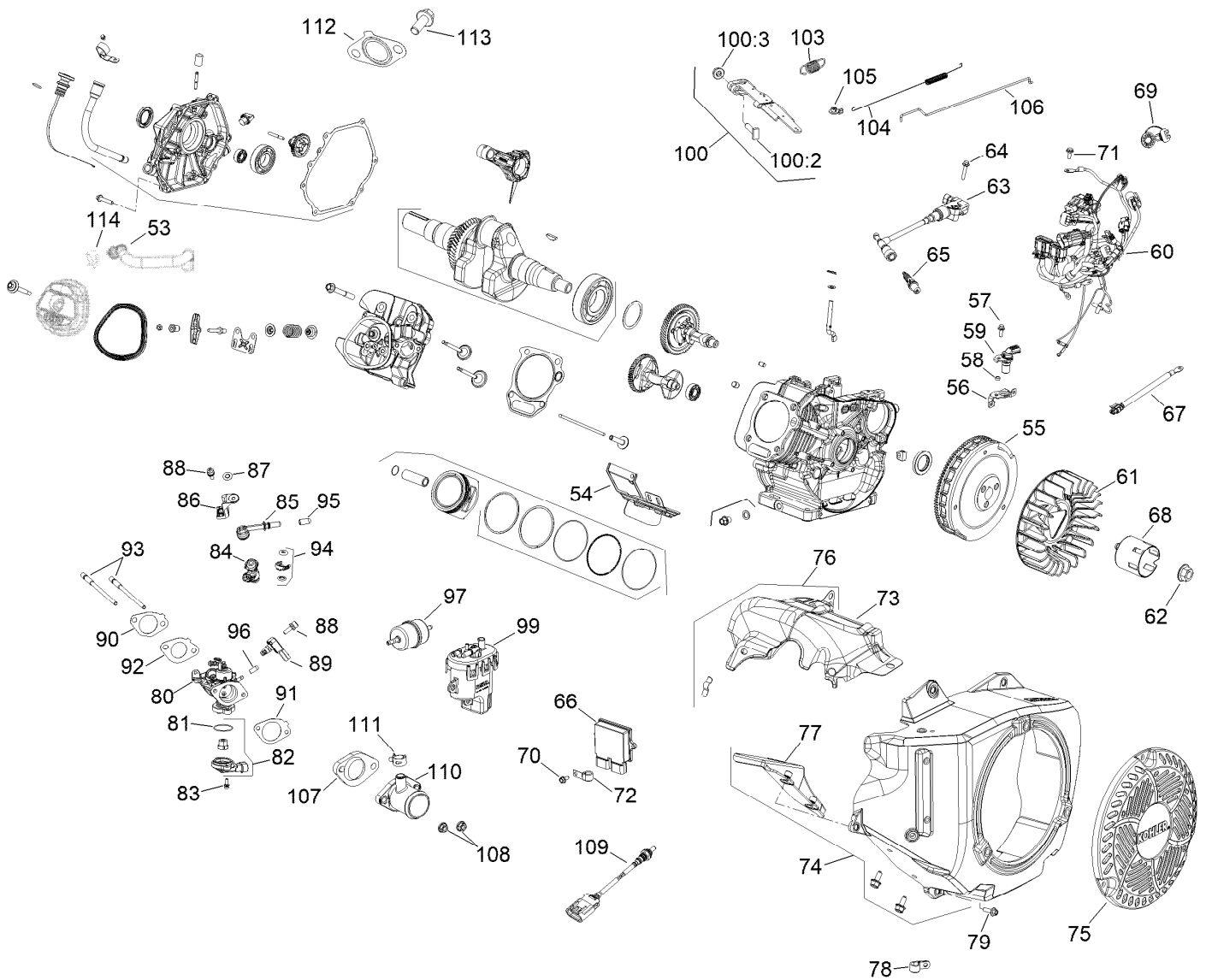


Engine Assembly No. 145-2280

Ref.	Part Number	Qty.	Description	Ref.	Part Number	Qty.	Description
53	145-2293	1	Hose-Breather	71	140-2422	3	Screw-M6 X 16
54	140-2409	1	Cylinder Shield ASM	72	140-2423	1	Clip-Cable
55	140-2410	1	Flywheel ASM	73	140-2424	1	Shield-Heat, Upper
56	140-2411	1	Bracket-Crank Sensor	74	140-2425	1	Blower Housing Kit
57	140-2412	1	Screw-Hex Flange	75	136-4950	1	Screen-Housing, Blower
58	140-2413	1	Spacer	76	140-2426	1	Heat Shield Sm
59	140-2414	1	Sensor-Speed	77	136-4958	1	Flywheel Finger Guard ASM
60	140-2415	1	Wiring Harness ASM	78	140-2427	1	Clamp-Insulated
61	136-4949	1	Fan-Flywheel	79	136-4982	5	Screw
62	136-4936	1	Nut-Flywheel	80	140-2428	1	Throttle Body And Gasket Kit
63	140-2416	1	Coil-Ignition, EFI	81	140-2429	1	O-Ring
64	140-2417	1	Screw-Hex Flange, M6	82	140-2430	1	Tps Kit
65	131-8589	1	Spark Plug	83	140-2431	2	Screw-Hexalob Sems M4 X 0.7
66	145-2288	1	Module-Ecu	84	140-2432	1	Injector-Fuel
67	140-2420	1	Lead-Sensor, Temp	85	140-2433	2	Cap-Fuel Injector
68	136-4938	1	Cup-Drive, Starter	86	140-2434	1	Fuel Cap Bracket ASM
69	140-2421	2	Cap-Connector				
70	136-4979	9	Screw-HF				

● Not illustrated

■ Not serviced separately



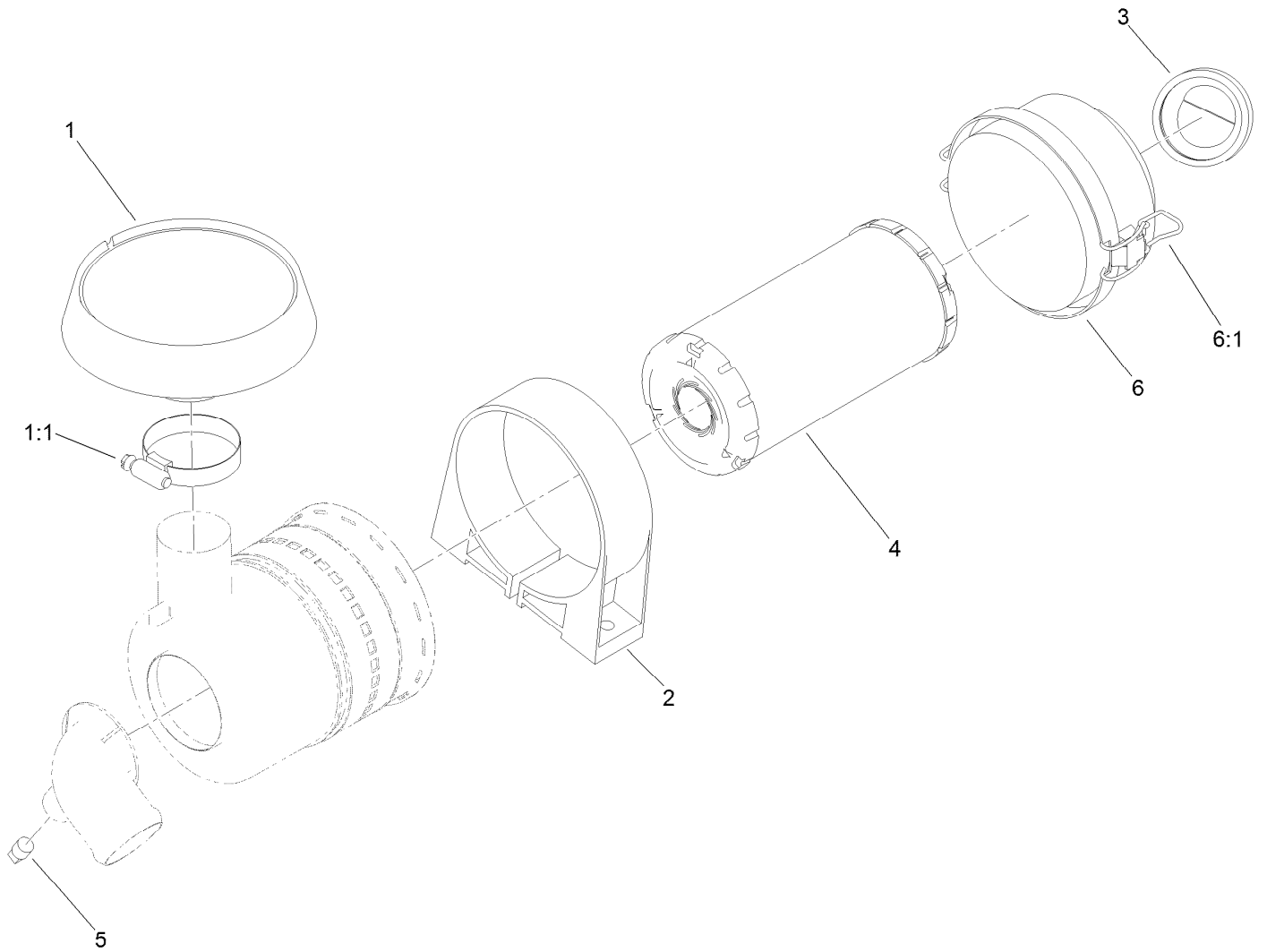
Engine Assembly No. 145-2280 (continued)

Ref.	Part Number	Qty.	Description
87	140-2435	1	Clip-Retainer
88	140-2436	2	Screw-Hexalob Sems M6 X 1
89	140-2437	1	Sensor-Tmap
90	136-4924	1	Intake Gasket Kit
90:1		1	Gasket (Insulator To Head) ●■
90:2	136-4925	1	Gasket (Carb To Insulator) ●
90:3	136-4926	1	Gasket-Cleaner, Air ●
91	140-2438	1	Gasket-Throttle Body
92	140-2439	1	Gasket-Insulator, T-Body
93	136-4929	2	Stud-Intake
94	140-2440	1	Fuel Injector O-Ring Kit
95	140-2441	1	Cap-Masking
96	140-2442	1	Cap-Masking
97	140-2443	1	Filter-Fuel
99	140-2452	1	Fuel Pump Module Kit-World Wide

Ref.	Part Number	Qty.	Description
100	136-4934	1	Governor Lever Kit
100:1		1	Lever-Governor ●■
100:2	136-4980	1	Screw-Rect Head
100:3	136-4902	1	Nut-HF
103	136-4933	1	Spring-Governor
104	140-2446	1	Spring-Linkage
105	140-2447	1	Bushing-Linkage Retainer
106	140-2448	1	Linkage-Governor
107	140-2449	1	Insulator-Throttle Body
108	136-4903	2	Nut-HF, Lock
109	140-2450	1	Sensor-Oxygen
110	136-4916	1	Adapter-Inlet, Air
111	140-2451	1	Clamp-Breather Hose
112	136-4922	1	Gasket-Muffler
113	136-4985	2	Screw
114	145-2291	1	Clamp-Breather Hose

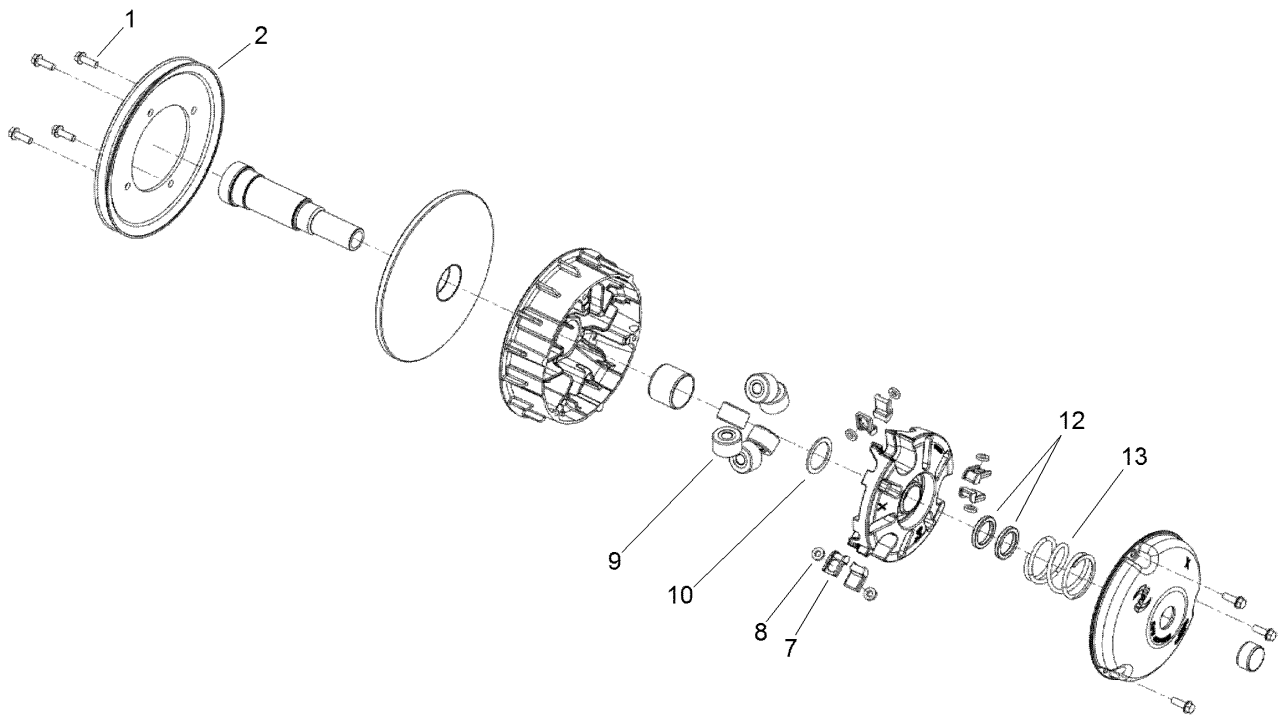
● Not illustrated

■ Not serviced separately



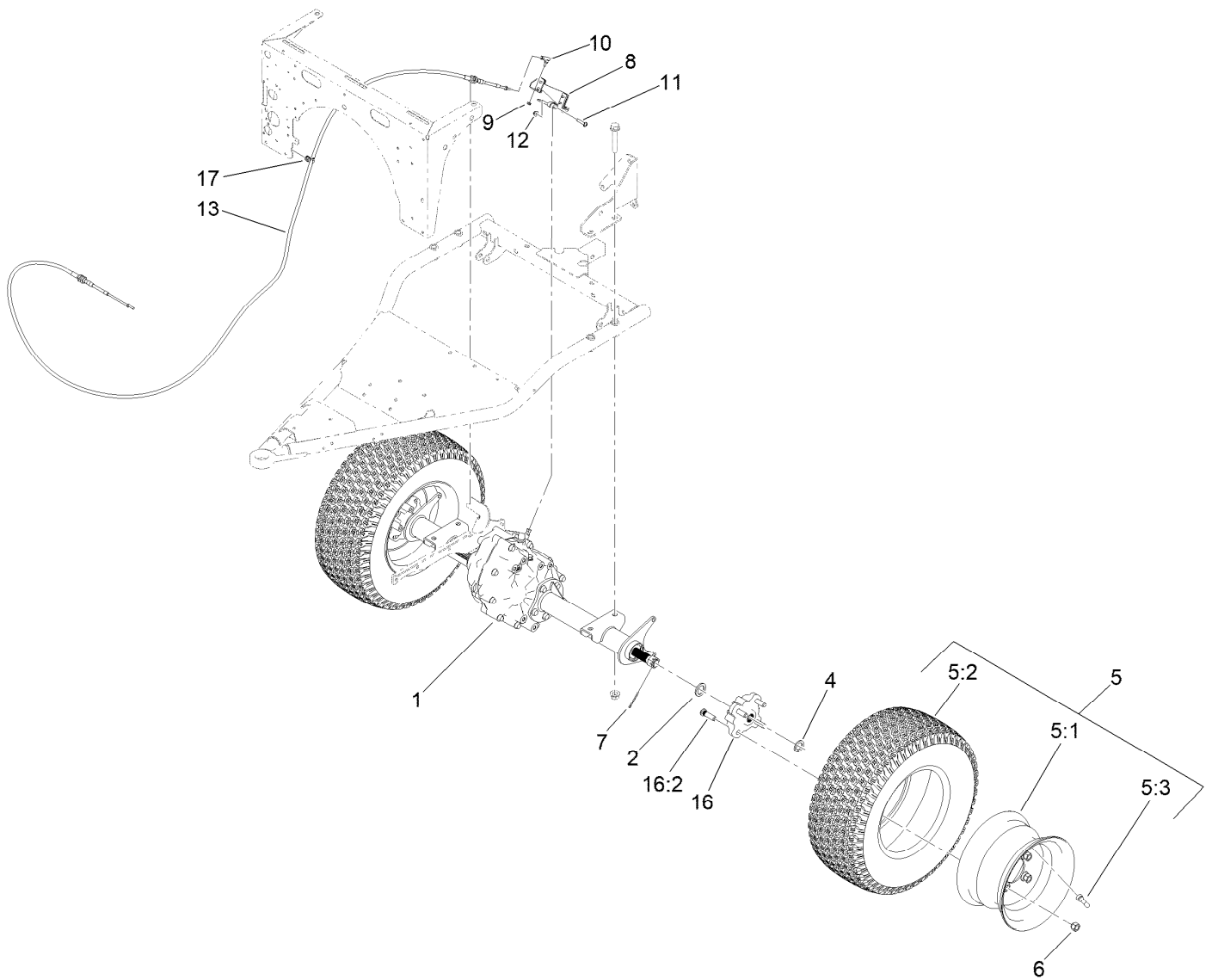
Air Cleaner Assembly No. 138-3447

<i>Ref.</i>	<i>Part Number</i>	<i>Qty.</i>	<i>Description</i>
1	136-7859	1	Rain Cap Kit
1:1	1-643009	1	Clamp-Hose
2	95-5806	1	Bracket-Mounting, Air Cleaner
3	87-9400	1	Valve-Vacuator
4	108-3811	1	Filter-Air V-Twin HD
5	281-7	1	Cap-Pipe
6	94-3652	1	Cover ASM
6:1	1-643283	2	Latch-Cleaner, Air



Primary Clutch Assembly No. 138-0095

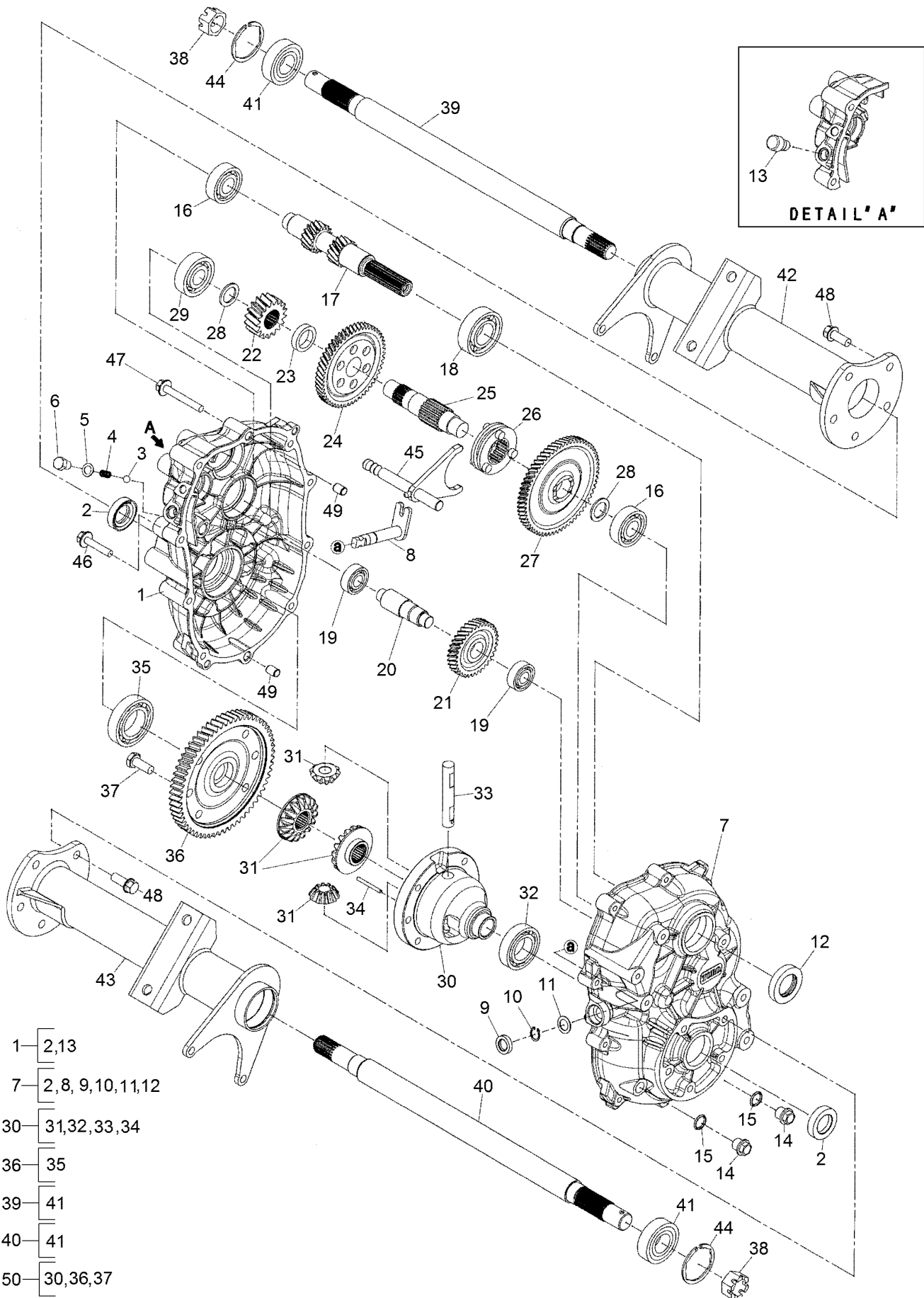
<i>Ref.</i>	<i>Part Number</i>	<i>Qty.</i>	<i>Description</i>
1	49-2040	7	Screw-HWHTF
2	119-0813	1	Pulley-Primary
7	127-8689	6	Button-Primary, Torque
8	127-8690	6	Plug-Button, Torque
9	119-0804	6	Weight-Roller
10	119-0812	1	Shim-Spider
12	119-0807	2	Shim-Limiter
13	119-9532	1	Spring-Red/White



Rear Wheel and Transaxle Assembly

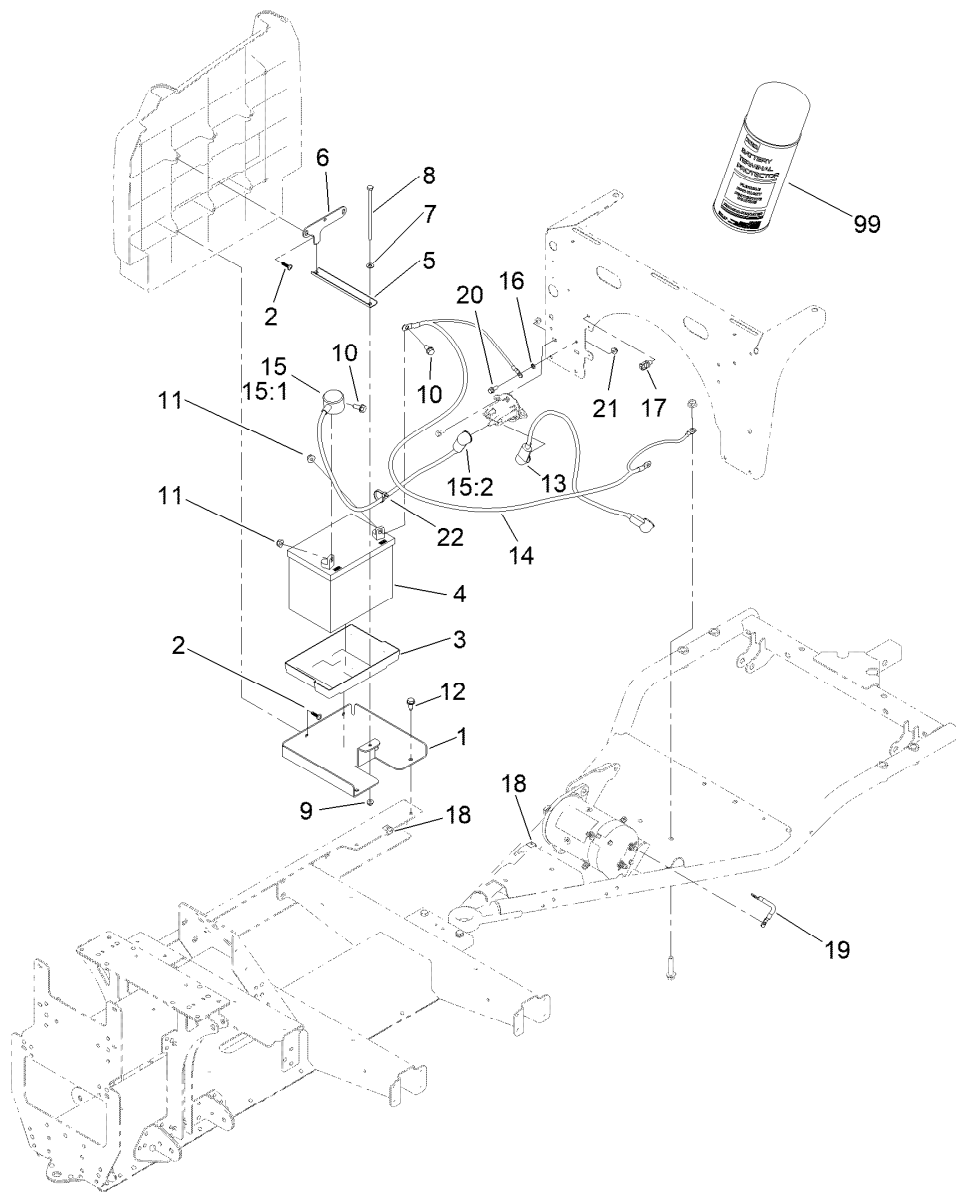
Ref.	Part Number	Qty.	Description	Ref.	Part Number	Qty.	Description
1	131-3486	1	Transaxle	8	133-7260-03	1	Arm-Shift
2	131-8570	2	Spacer-Hardened	9	3296-27	1	Nut-Lock, NI
4	3-7898	2	Washer-Thrust	10	2411-38	1	Joint-Ball
5	147-2761	2	Wheel And Tire ASM	11	132-6777	1	Screw-Twh Thd Roll
5:1	147-2762	1	Wheel	12	104-7201	1	Nut-HF, NI
5:2	139-4475	1	Tire-20 X 8.00-10	13	127-8897	1	Cable-Shift
5:3	232-27	1	Stem-Valve	16	140-9951	2	Rear Hub ASM
6	242-50	8	Nut-Lug	16:2	10-6830	4	Stud-Type, Drive
7	1-806800	2	Pin-Cotter	17	32180-225	1	Clip-Edge, Parallel W/Tie

Transaxle Assembly No. 131-3486



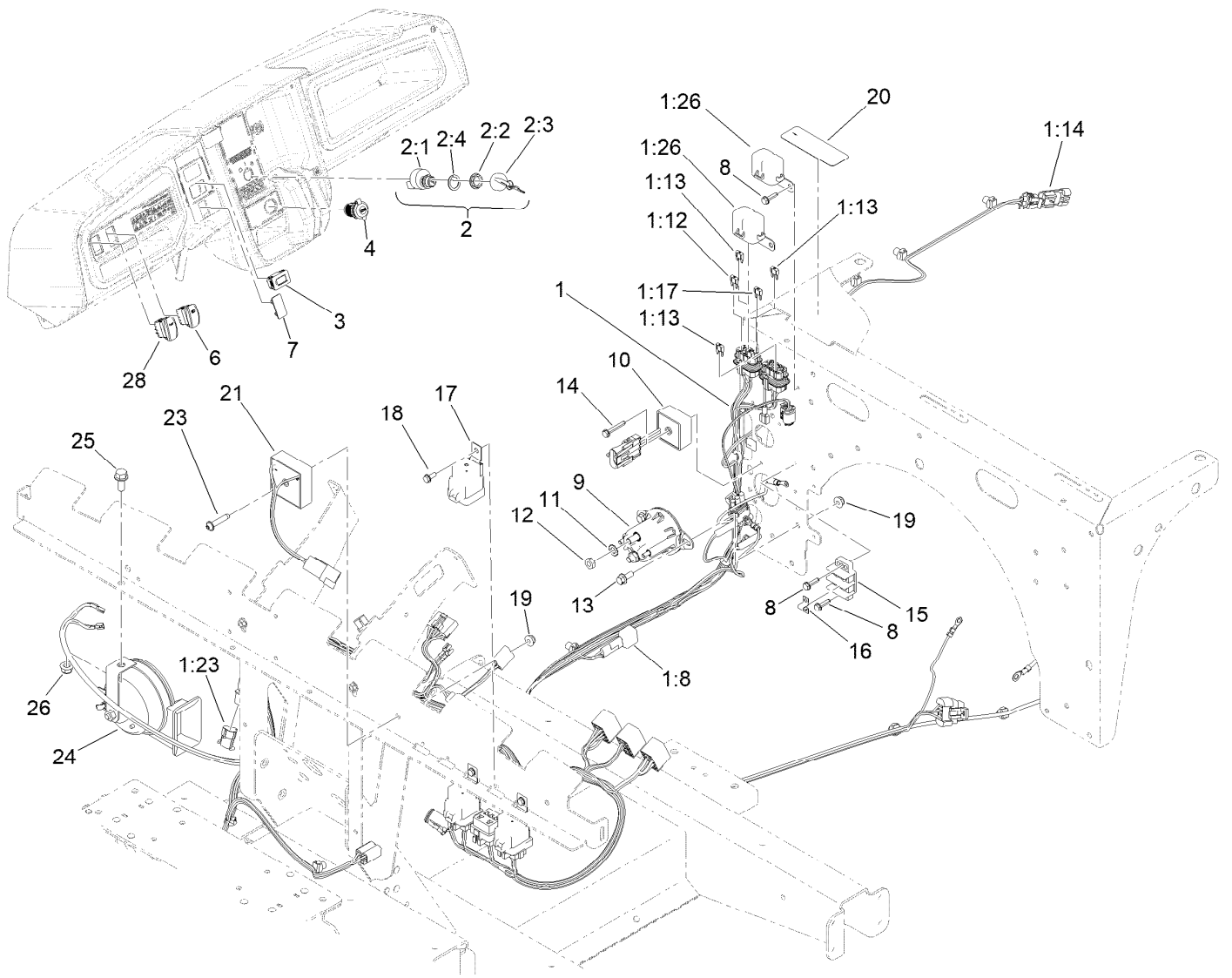
Transaxle Assembly No. 131-3486 (continued)

<i>Ref.</i>	<i>Part Number</i>	<i>Qty.</i>	<i>Description</i>	<i>Ref.</i>	<i>Part Number</i>	<i>Qty.</i>	<i>Description</i>
1	133-2400	1	Case-LH	26	133-2419	1	Clutch-Pin
2	133-2401	2	Seal-Oil	27	133-2420	1	Gear
3	104-1660	1	Ball-Steel	28	133-2421	2	Spacer
4	104-1661	1	Spring	29	133-2422	1	Bearing-Ball
5	104-1662	1	Gasket	30	133-2423	1	Case-Differential
6	104-1663	1	Bolt	31	133-2424	1	Set-Gear, Differential
7	133-2402	1	Case-RH	32	133-2425	1	Bearing-Ball
8	133-2403	1	Shaft-Select	33	104-1644	1	Shaft-Differential
9	133-2446	1	Seal-Oil	34	104-1645	1	Pin
10	133-2404	1	Ring-Snap	35	133-2426	1	Bearing-Ball
11	133-2405	1	Spacer	36	133-2427	1	Gear
12	104-1607	1	Seal-Oil	37	104-1649	6	Bolt
13	133-2406	1	Breather-Air	38	133-2428	2	Nut-Castle
14	133-2407	2	Plug-Drain, Oil	39	133-2429	1	Shaft-Axle, LH
15	133-2408	2	Gasket	40	133-2430	1	Shaft-Axle, RH
16	133-2409	2	Bearing-Ball	41	133-2431	2	Bearing-Ball
17	133-2410	1	Shaft-Input	42	133-2432	1	Case-Axle, LH
18	133-2411	1	Bearing-Ball	43	133-2433	1	Case-Axle, RH
19	133-2412	2	Bearing-Ball	44	133-2434	2	Ring-Snap
20	133-2413	1	Shaft-Counter	45	133-2435	1	Shaft-Shift
21	133-2414	1	Gear	46	133-2436	1	Bolt-Flange
22	133-2415	1	Gear	47	133-2437	9	Bolt-Flange
23	133-2416	1	Collar	48	133-2438	10	Bolt-Flange
24	133-2417	1	Gear	49	133-2439	2	Pipe-Knock
25	133-2418	1	Shaft-Center	50	133-2440	1	Differential ASM



Battery and Cable Assembly

<i>Ref.</i>	<i>Part Number</i>	<i>Qty.</i>	<i>Description</i>	<i>Ref.</i>	<i>Part Number</i>	<i>Qty.</i>	<i>Description</i>
1	127-7810-03	1	Base-Battery	14	122-0638	1	Cable-Battery, Negative
2	120-2349	4	Screw	15	109-7621	1	Positive Battery Cable ASM
3	106948	1	Tray-Battery	15:1	1-543393	1	Insulator-Solenoid
4	104-8162	1	Battery	15:2	109-2407	1	Insulator-Battery
5	127-7816-03	1	Channel-Clamp, Battery	16	3255-7	1	Washer-Lock/EXT
6	127-7814-03	1	Plate-Clamp, Battery	17	32180-030	1	Clip-Tie
7	3256-22	1	Washer-Flat	18	32180-082	3	Clip-Edge W/Tie, Perpendicular
8	321-47	1	Screw-HH	19	122-1176	1	Cable-Battery, Negative
9	104-7201	1	Nut-HF, NI	20	3234-33	1	Screw-HHF
10	3234-5	2	Screw-HHF	21	104-7201	1	Nut-HF, NI
11	104-8300	2	Nut-HF, NI	22	3290-378	1	Tie-Cable
12	32144-70	2	Screw-HWHTF	99	107-0392	1	Protection-Terminal, Aerosol
13	122-0639	1	Cable-Battery, Positive				

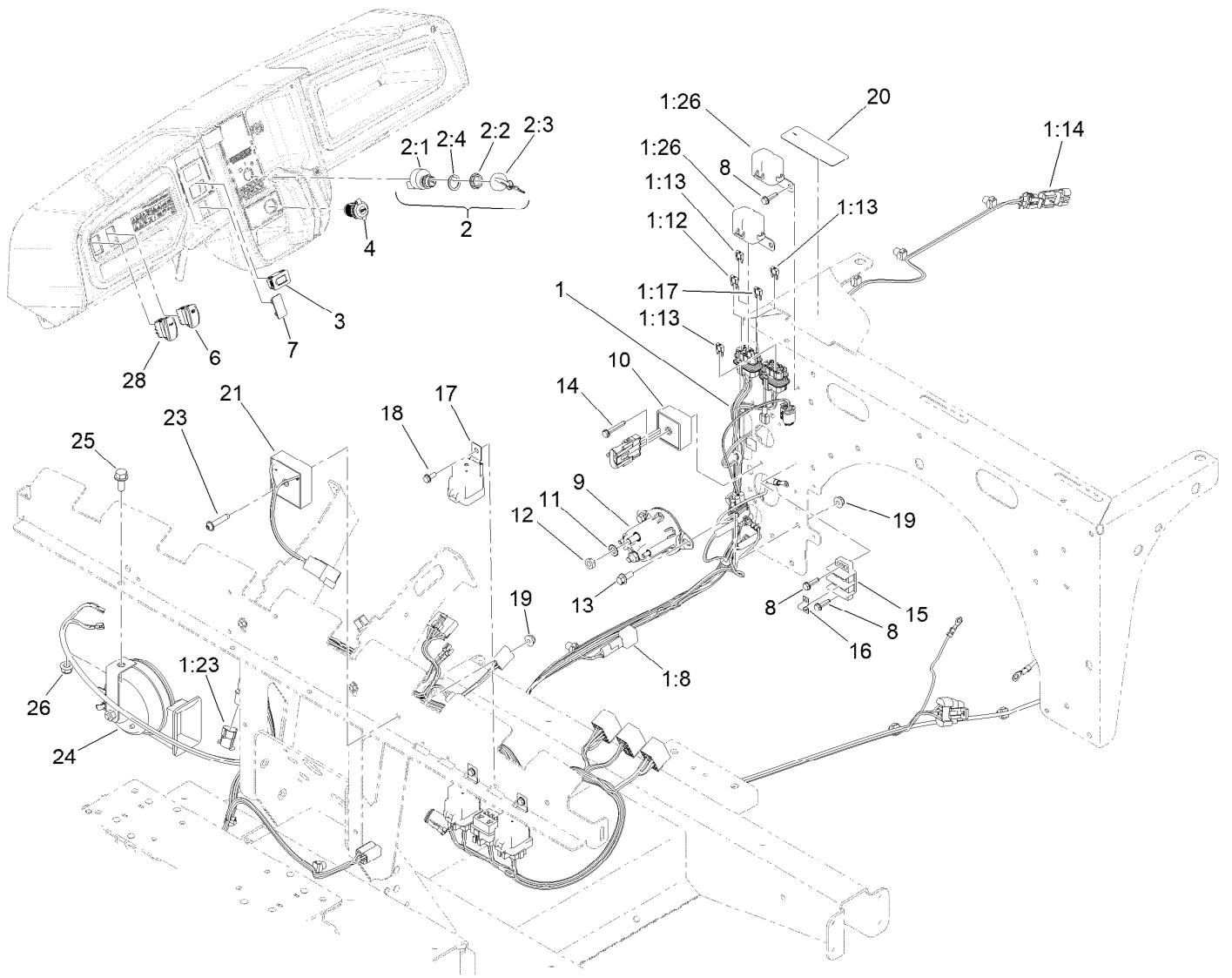


Electrical Assembly

Ref.	Part Number	Qty.	Description	Ref.	Part Number	Qty.	Description
1	122-2510	1	Harness-Wire, Gtx, EFI	7	99-7420	1	Plug-Hole
1:8	100-4918	3	Diode	8	100-4351	5	Screw-HWH
1:12	121-8867	1	Fuse-Mini Blade, 15 Amp	9	114-3315	1	Solenoid
1:13	121-8866	3	Fuse-Mini Blade, 10 Amp	10	119-9492	1	Regulator-Voltage
1:14	32160-093	1	Connector-Mp280, 2M	11	3255-8	2	Washer-Lock
1:17	121-8868	1	Fuse-Mini Blade, 20 Amp	12	3220-2	2	Nut-Jam
1:23	32180-056	1	Cap	13	3234-33	2	Screw-HHF
1:24	32180-156	1	Cap-Plug, 6 Way ●	14	100-4352	1	Screw-HWH
1:26	32180-179	2	Cover-Bussman	15	42862	1	Block-Terminal, Ground
2	122-1145	1	Ignition Switch ASM	16	42863	1	Strip-Jumper
2:1		1	Switch-Ignition ■	17	99-7430	3	Relay-Mini
2:2	108-8660	1	Nut-Mounting	18	32144-1	3	Screw-Taptite
2:3	106-5270	1	Ignition Key Set	19	104-7201	3	Nut-HF, NI
2:4	108-8659	1	Washer-Backup	20	145-2274	1	Decal-Fuse Block EFI
3	120-2244	1	Hourmeter	21	145-8025	1	Timer-Delay, 600 Sec, 1Amp
4	131-8388	1	Socket-USB	23	132-6777	1	Screw-Twh Thd Roll
6	144-2405	1	Switch-Rocker, On-None-On	24	110-2594	1	Horn

● Not illustrated

■ Not serviced separately



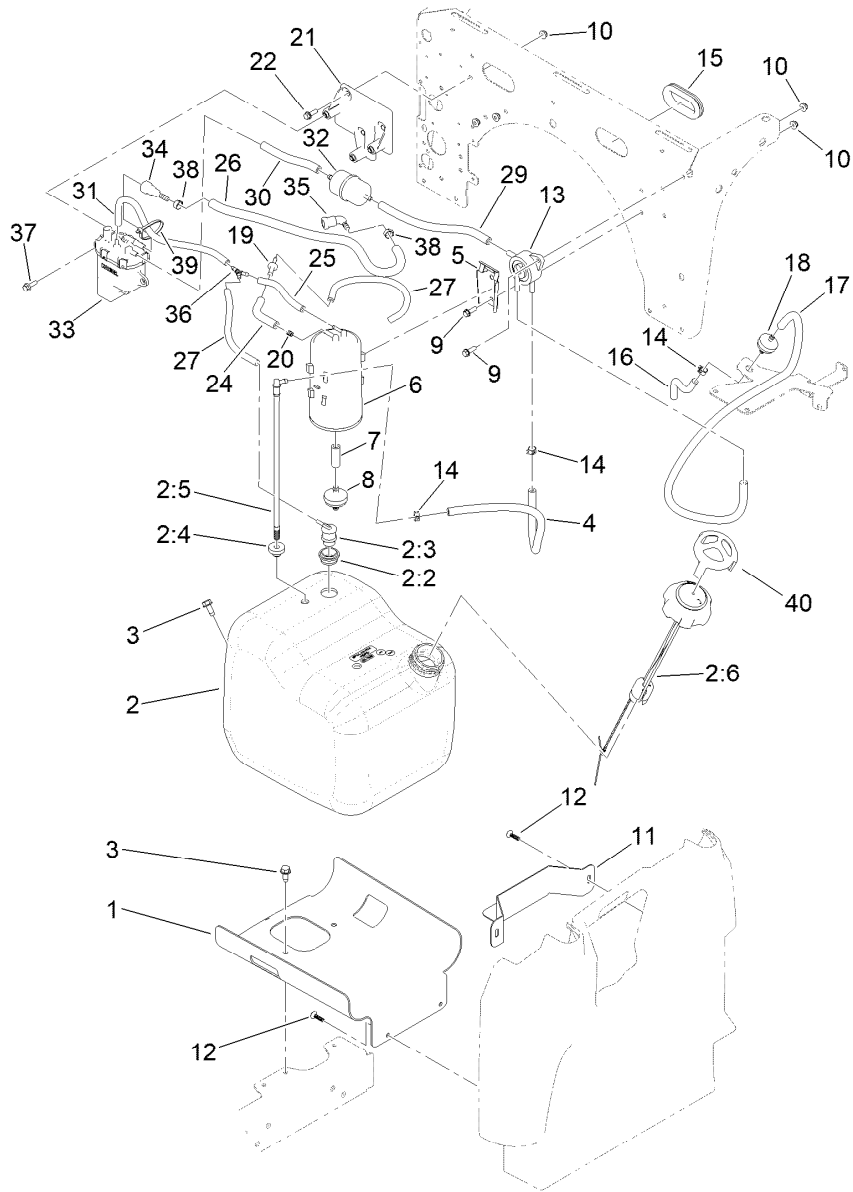
Electrical Assembly (continued)

Ref.	Part Number	Qty.	Description
25	3234-5	1	Screw-HHF

Ref.	Part Number	Qty.	Description
26	104-8300	1	Nut-HF, NI
28	144-2415	1	Switch-Rocker, (On)-None-Off

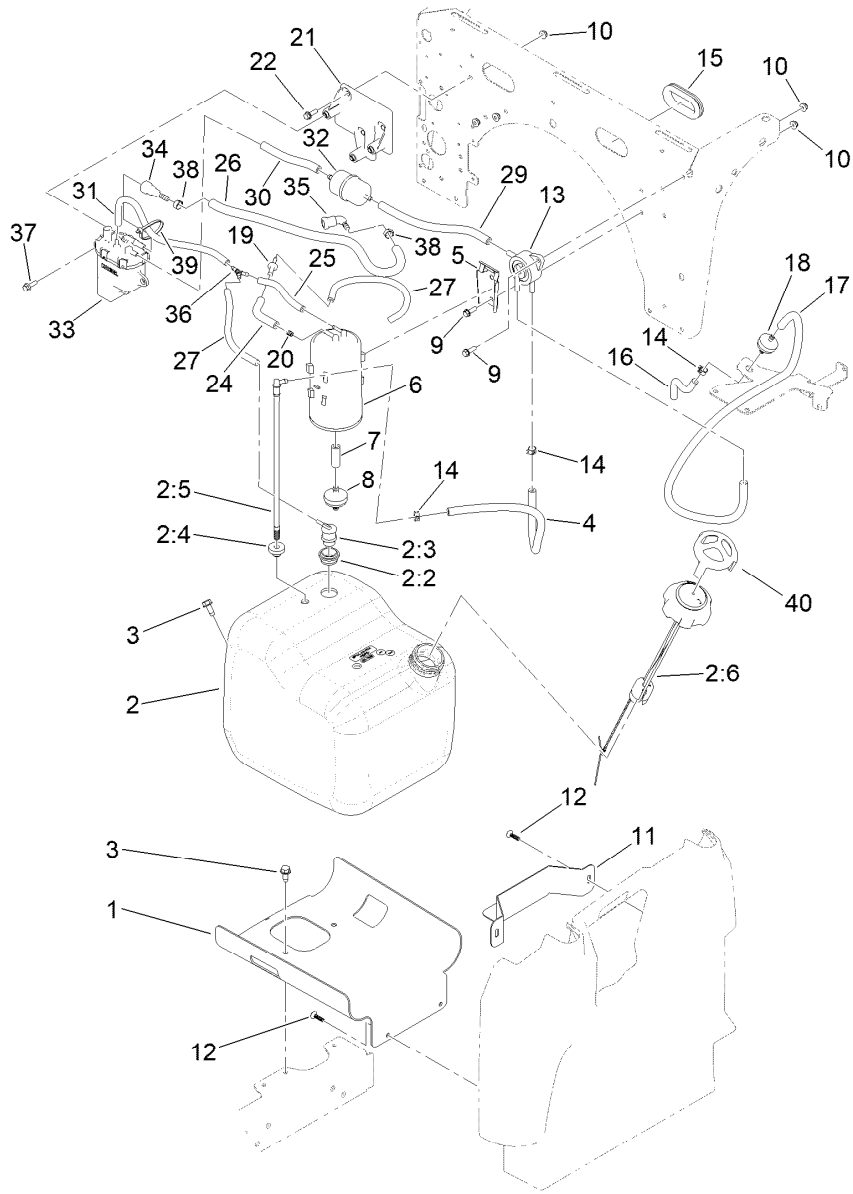
● Not illustrated

■ Not serviced separately



Fuel System Assembly

Ref.	Part Number	Qty.	Description	Ref.	Part Number	Qty.	Description
1	127-7739-03	1	Mount-Tank, Fuel	16	140-4825	1	Hose-Pulse (.212 X 5.00, J200, LP)
2	127-7849	1	Fuel Tank ASM	17	109-3491	1	Hose-Fuel
2:2	114-0284	1	Grommet	18	56-6360	1	Filter-Fuel
2:3	114-0285	1	Valve-Rollover	19	117-5399	1	Adaptor-Orifice
2:4	46-6560	1	Bushing	20	120-2038	1	Cartridge-Valve, Check
2:5	115-9044	1	Pipe-Stand	21	136-6346	1	Bracket-Pump, Fuel
2:6	131-8357	1	Cap-Gauge	22	115-5103	3	Screw-HHF
3	32144-70	3	Screw-HWHTF	24	114-3765	1	Hose-Fuel
4	114-4428	1	Hose-Fuel	25	68-3632	1	Hose-Fuel
5	114-0292	1	Bracket-Canister, Carbon	26	136-6343	1	Hose-Fuel
6	127-8685	1	Canister-Carbon	27	136-6345	2	Hose-Fuel
7	106-5317	1	Hose-Fuel	29	109-0282	1	Hose-Fuel
8	115-7854	1	Filter-Fuel, Inline	30	109-0650	1	Hose-Fuel
9	32105-15	4	Screw-HWH	31	136-6344	1	Hose-Fuel
10	104-7201	7	Nut-HF, NI	32	94-9695	1	Filter-Fuel
11	127-7845-05	1	Bracket-Fuel Tank	33	136-6347	1	Pump-Fuel, EFI
12	120-2349	4	Screw	34	125-2921	1	Fitting-Fuel
13	131-8526	1	Pump-Fuel	35	121-5585	1	Fitting-Fuel
14	2412-98	7	Clamp-Hose	36	136-6339	1	Fitting-Fuel
15	240-12	1	Grommet-Rubber	37	33103-020	3	Screw-HHF



Fuel System Assembly (continued)

<i>Ref.</i>	<i>Part Number</i>	<i>Qty.</i>	<i>Description</i>	<i>Ref.</i>	<i>Part Number</i>	<i>Qty.</i>	<i>Description</i>
38	1-643277	2	Clamp-Hose, Fuel	39	3290-378	1	Tie-Cable
				40	147-2833	1	Cover-Fuel Cap

Attachments and Accessories

For 07409 Workman GTX EFI Utility Vehicle

Product Name	Model/Part
Workman GTX 2-Person Canopy	07921
Steel Cargo Bed Base, Workman GTX Series Utility Vehicle	07450
Steel Cargo Bed Solid Sides Kit, Workman GTX Series Utility Vehicle	07451
Rear Attachment Receiver, Workman GTX Series Utility Vehicle with Steel Cargo Bed	07186
12V Electric Lift Kit.....	07144
Brake and Signal LED Light Kit, Workman GTX Gasoline Utility Vehicle or Serial Number 404400000 and After Workman GTX Electric Utility Vehicle	140-4785
Work Light Kit	130-5485
Steel Flat Bed Kit	07148
Beacon Kit	130-5484
Exterior Mirror Kit.....	130-5448
Storage Box Kit.....	07156
Interior Mirror Kit.....	130-5449
Windshield Washer Fluid Kit, 2015 and after Workman MD/HD Series Utility Vehicle	130-5615
6in L-Track Kit.....	07158
2in L-Track Kit.....	07159
Horn Kit.....	133-3016
Reverse Alarm Kit.....	133-3018
Parking Brake Alarm Kit.....	133-3019
Spark Arrestor Screen Kit	133-7109
Bed Rack Kit.....	07031
Cab Kit.....	07142
Mount-Ball	133-7116
Road Light and Homologation Kit	133-7128
12V Electric Bed Lift Kit	07167
Brush Guard Kit	07145
Tire-20 8.00-10	116-7333
MVP Kit 400 Hour	136-6280
Cab Mount Kit, Workman GTX Utility Vehicle with Extended Flatbed	133-7198
Service Hood ASM	133-7209
ROPS Kit	07032
Door Mount Mirror Kit.....	136-1997
Hose Reel Mounting Kit	07027
Cargo Bed Kit	07046
Trash Can Mounting Kit	07028
Bench Seat Base Kit.....	07047
Bucket Seat Base Kit.....	07048
Extension Kit.....	07049
Front Hitch Kit, Workman GTX Series Utility Vehicles with Brush Guard	07146
Front Hitch Kit, Workman GTX or MDX Series Utility Vehicles without Brush Guard	07147
Small Bedrack Mount Grip Kit.....	136-6311
Shim-Limiter	119-0807
Large Bedrack Mount Grip Kit.....	136-6312
Small Seat Cover.....	131-6690
Wireless Hourmeter Kit.....	136-6323

Attachments and Accessories (continued)

Plate-Skid	137-2886-03
Switch-Ignition ASM, Key1	138-3500
Switch-Ignition ASM, Key2	138-3501
Switch-Ignition ASM, Key3	138-3502
LED Homologation Lamp Kit.....	147-2798
Power Point Kit	131-8550
Switch-Ignition ASM, Key4	138-3503
Switch-Ignition ASM, Key5	138-3504
Glove Box Cover Kit	137-2883
Fold-Down Rear Facing Seat.....	07123
Lift Kit.....	07414
Tire/Wheel Asm	131-8319
Van Box	07440
Folding Windshield Kit, Workman GTX Utility Vehicle with Canopy	07923
Tire	94-5236
Wide Angle Mirror Kit	133-1009
Wide Angle Mirror Kit	133-1038
Bracket-Mount, Radio	133-7111-03
GTX Ball Cage ROPS, Certified.....	07161
Canopy W/ ROPS	07169
Canopy Mount Kit, Workman GTX Utility Vehicle with Extended Flatbed	07199
Full Shelf For Van Box	07441

Notes:



Count on it.