



Count on it.

Parts Catalog

**GrandStand® Multi Force® Mower
With 52in TURBO FORCE® Cutting Unit and
Low Flow Hydraulics**

Model No. 72530—Serial No. 415300000 and Up



Ordering Replacement Parts

To order replacement parts, please supply the part number, the quantity, and the description of each part desired.

Understanding Reference Numbers

Each identified part in an illustration has a reference number. The reference number for a part also appears in the parts list, along with other information about the part.

This catalog uses two special reference number formats, one to indicate parts in a service assembly and another to indicate the quantity of a given part in an illustration.

Service Assembly Reference Numbers

Parts in service assemblies have reference numbers in the form a:b. The a represents the reference number of the entire service assembly and the b represents a sequential number unique to each part within the service assembly.

For example, a wheel assembly might be identified by reference number 6, the tire by 6:1, the valve by 6:2, and the wheel by 6:3. When you order the assembly identified by reference number 6, you receive all parts identified by reference numbers 6:1, 6:2, and 6:3. However, you may also order any part individually. Reference numbers of this type appear in illustration and in parts lists.

Reference Numbers Indicating Quantity

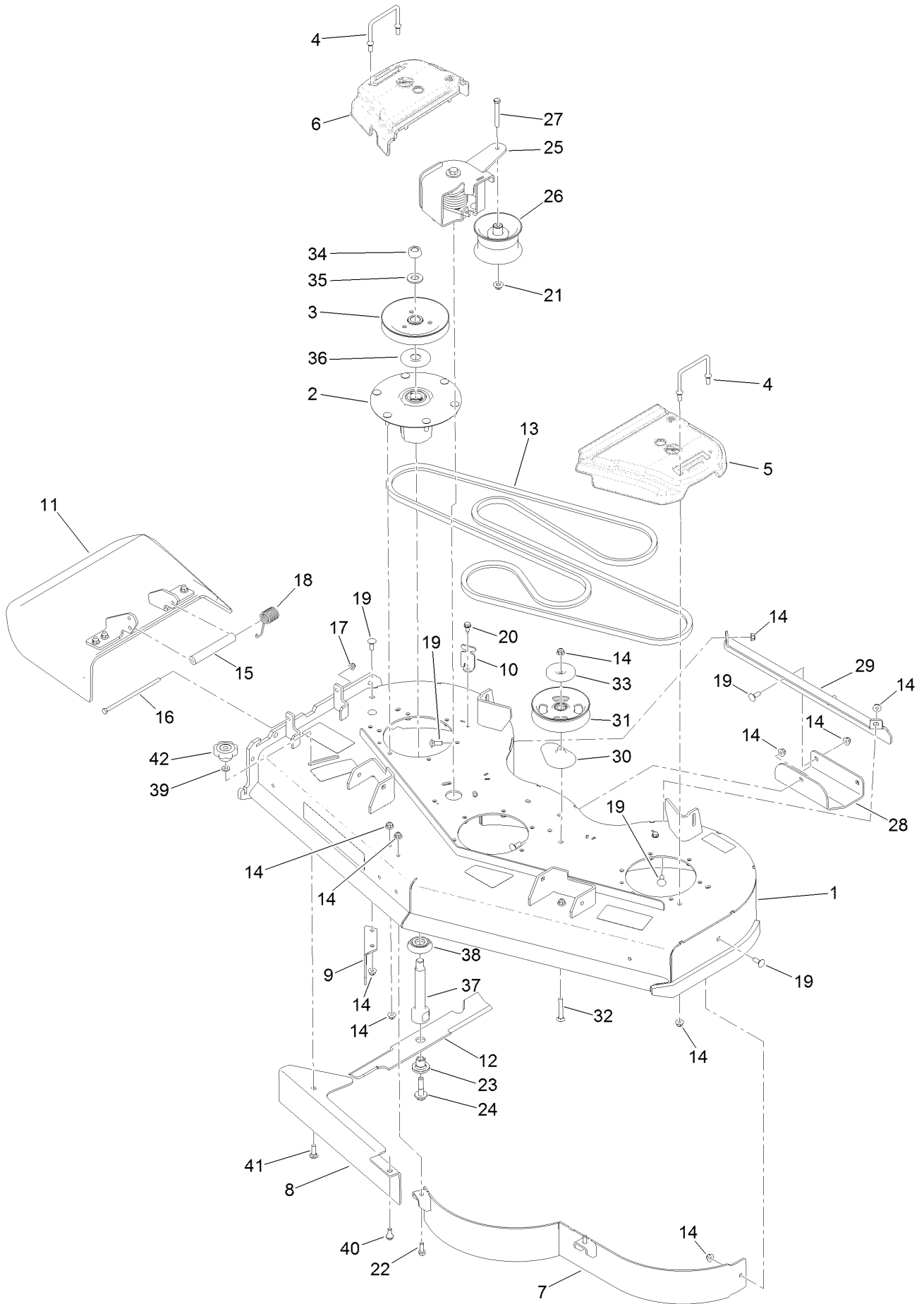
In an illustration, if a reference number indicates more than one part, the reference number has the form nX y. The n represents the quantity of the part, the X is the multiplication symbol, and the y represents the reference number.

For example, in an illustration, the reference number 2X 37 means that two of the parts identified by reference number 37 are indicated.

Contents

52 Inch Deck Assembly	4
Deck and Decal Assembly No. 139-8097	6
Spindle Assembly No. 137-9780	8
Deflector Assembly No. 120-2451	10
Ground Drive Assembly	12
LH Transmission Assembly No. 138-5840	14
RH Transmission Assembly No. 138-5839	16
Overflow Hose Assembly	18
Motion Control Assembly	20
Control Handle Assembly No. 132-5157	22
Control Handle Assembly No. 132-5158	24
Parking Brake Assembly	26
Deck Lift Assembly	28
HOC Level Assembly No. 130-1755	30
HOC Link Assembly No. 130-6615	32
Frame Assembly	34
Wheel and Bearing Assembly	36
Platform Assembly	38
Engine Assembly	40
Fuel Tank Assembly	42
Electrical Assembly	44
Low Flow Hydraulics Assembly	46
Low Flow Manifold Assembly	48
Low Flow Controller Kit Assembly	50
Attachments and Accessories	52

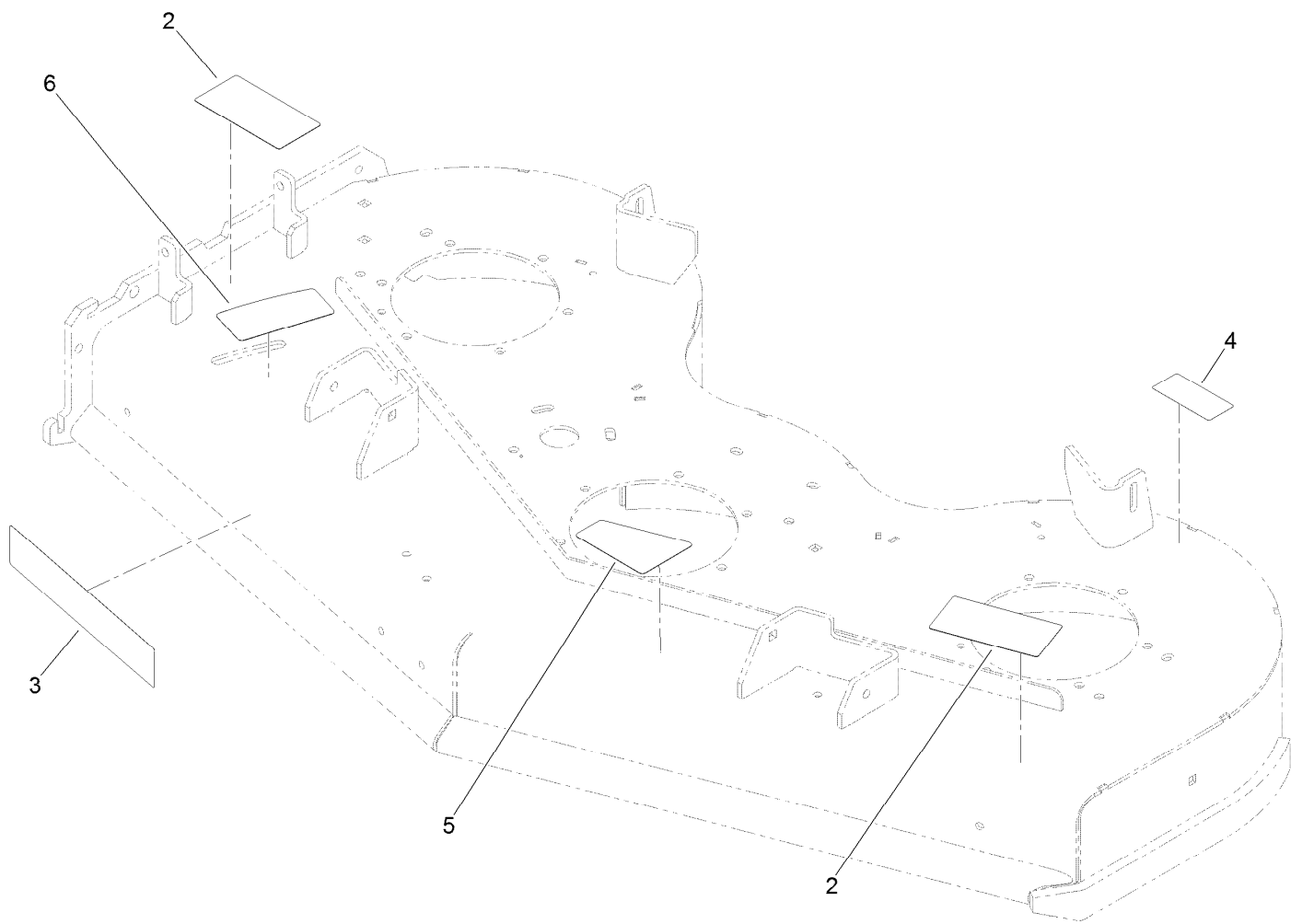
52 Inch Deck Assembly



52 Inch Deck Assembly (continued)

<i>Ref.</i>	<i>Part Number</i>	<i>Qty.</i>	<i>Description</i>	<i>Ref.</i>	<i>Part Number</i>	<i>Qty.</i>	<i>Description</i>
1	139-8097	1	52 Deck ASM	22	92-1624	2	Screw-HWH Thd Form
2	137-9780	3	Spindle ASM	23	137-9787	3	Bushing-Hex
3	138-6061	3	Sheave-Blade, Drive	24	109-9220	3	Screw-Sems
4	109-6982	3	Wireform-Cover	25	145-3450	1	Gs Torsion Idler ASM li
5	109-6936	1	Cover-Belt, LH	26	127-1971	1	Pulley-Idler
6	109-6935	1	Cover-Belt, RH	27	323-20	1	Screw-HH
7	114-1979-01	1	Baffle-52 Inch	28	114-1908-01	1	Skid
8	139-8105-01	1	Plate-Baffle, Formed [red]	29	130-6648-01	1	Bracket-Skid
9	130-6594-01	1	Baffle-Discharge	30	109-2872	1	Spacer-Pulley
10	117-5758-03	4	Bracket-Cover	31	136-5405	1	Pulley-Idler, Flat
11	120-2451	1	Deflector ASM	32	3231-44	1	Screw-CARR
12	140-1242	3	Blade-Flow, High	33	132-5153	1	Shield-Dust
13	131-1122	1	Belt-V	34	116-7306	3	Nut-Hex
14	104-8301	39	Nut-HF, NI	35	103-2802	3	Washer
15	105-4622	1	Spacer	36	103-1330	3	Guard-Bearing, Top
16	322-50	1	Screw-HH	37	138-6045	3	Shaft-Spindle
17	104-8300	1	Nut-HF, NI	38	137-9784	3	Guard-Bottom
18	108-4052	1	Spring-Torsion	39	100-4852	1	Washer-Hardened
19	3231-2	8	Bolt-CARR	40	94-7582	1	Bolt-Shoulder
20	32144-70	4	Screw-HWHTF	41	3231-25	1	Bolt-CARR
21	109-6658	1	Nut-Flange, NI	42	109-1092	1	Knob

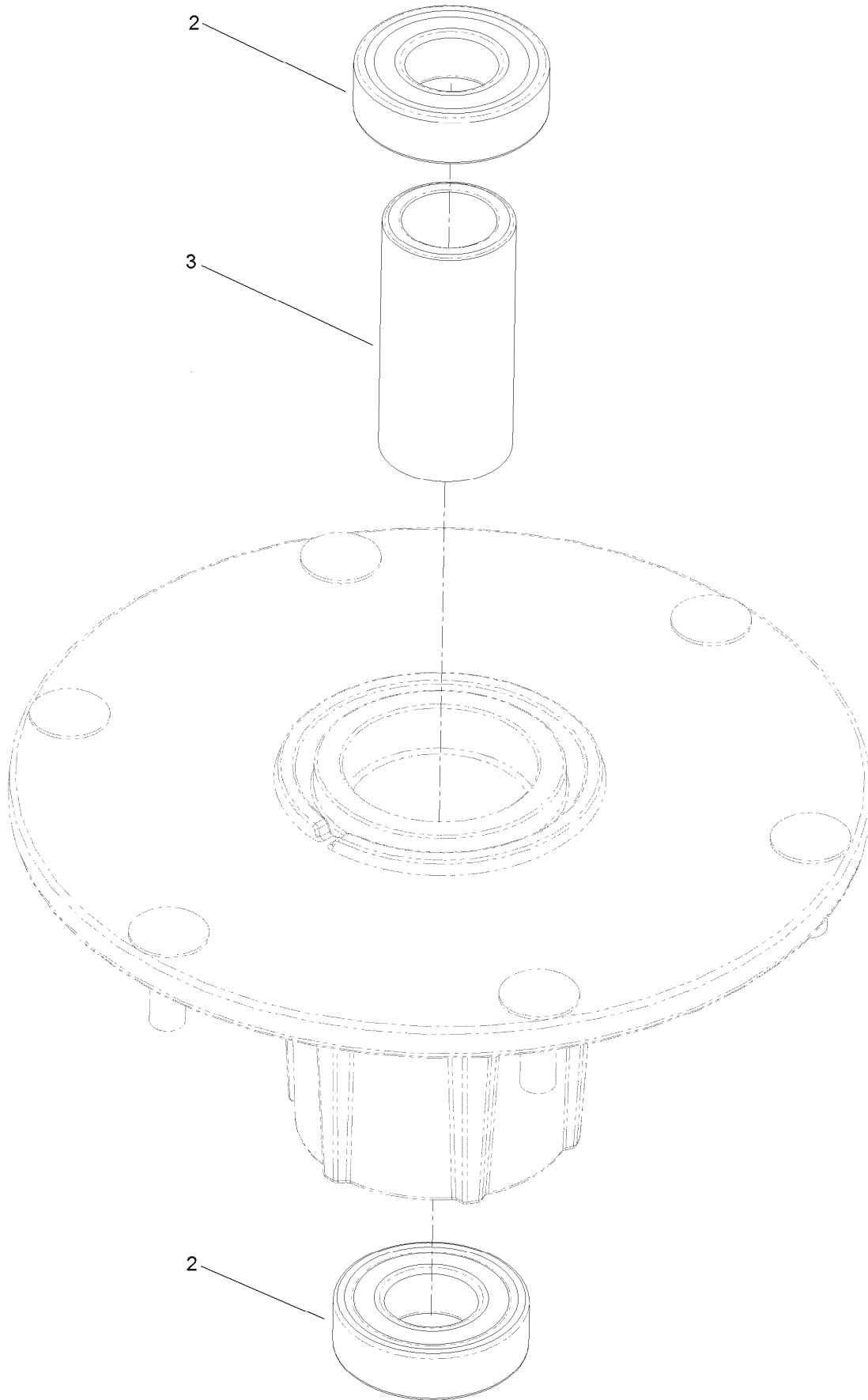
Deck and Decal Assembly No. 139-8097



Deck and Decal Assembly No. 139-8097 (continued)

<i>Ref.</i>	<i>Part Number</i>	<i>Qty.</i>	<i>Description</i>	<i>Ref.</i>	<i>Part Number</i>	<i>Qty.</i>	<i>Description</i>
2	133-4604	2	Decal-Danger	5	131-3507	1	Decal-Belt, Tension (CE)
3	107-1618	1	Decal	6	138-1147	1	Decal - Baffle Adjustment
4	116-8283	1	Decal-Torque, Bolt				

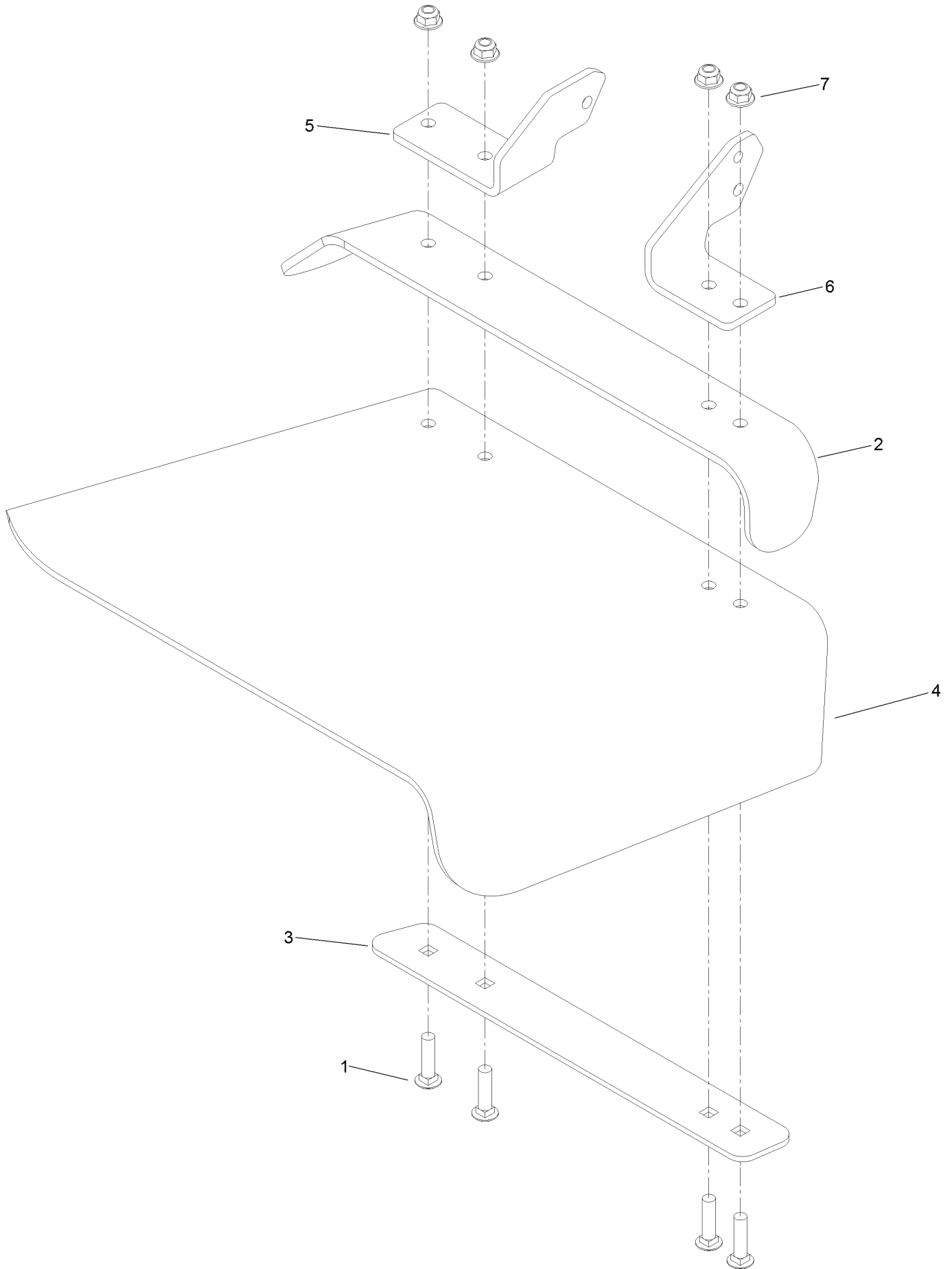
Spindle Assembly No. 137-9780



Spindle Assembly No. 137-9780 (continued)

<i>Ref.</i>	<i>Part Number</i>	<i>Qty.</i>	<i>Description</i>
2	116-0720	2	Bearing-Ball
3	138-6042	1	Spacer-Bearing

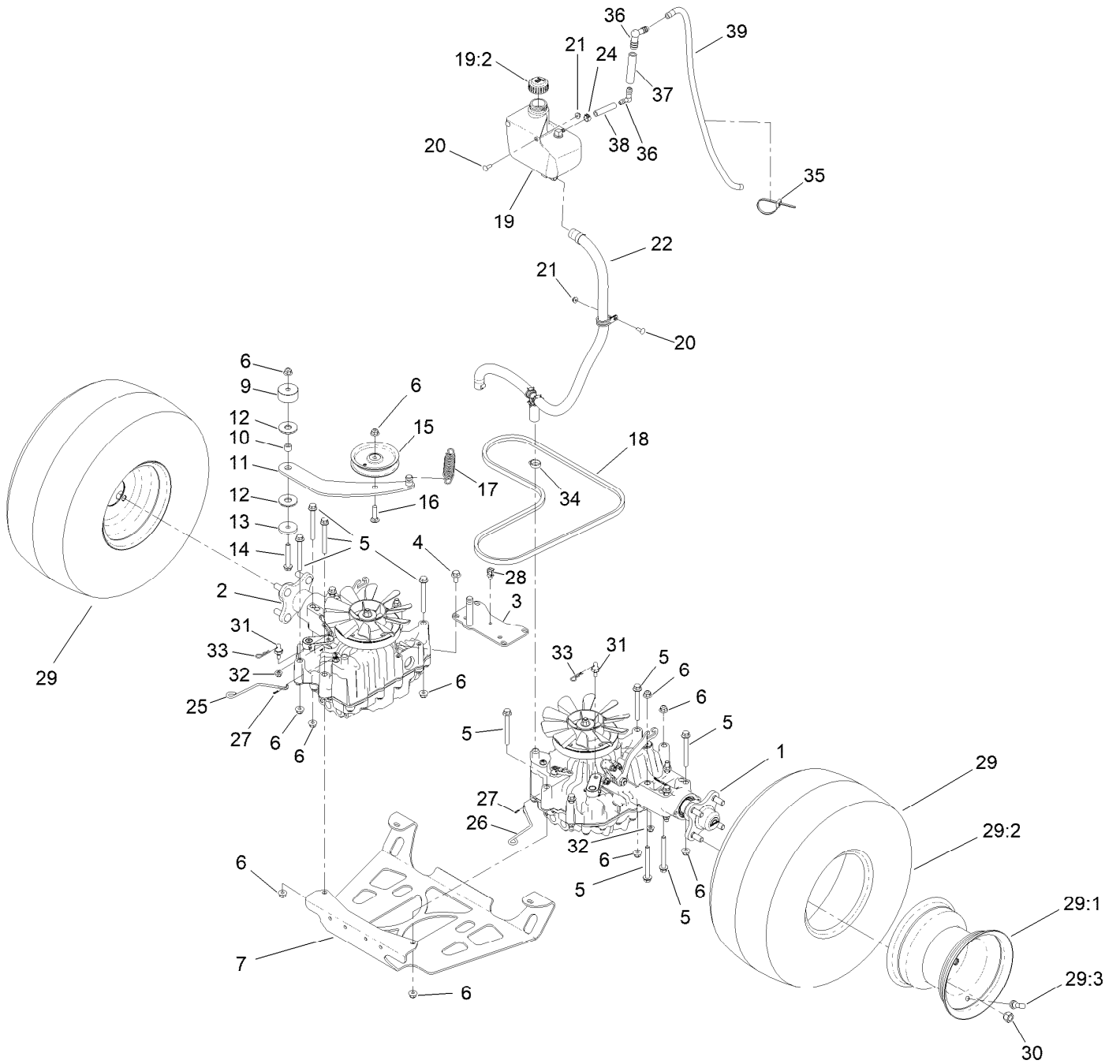
Deflector Assembly No. 120-2451



Deflector Assembly No. 120-2451 (continued)

<i>Ref.</i>	<i>Part Number</i>	<i>Qty.</i>	<i>Description</i>	<i>Ref.</i>	<i>Part Number</i>	<i>Qty.</i>	<i>Description</i>
1	3231-4	4	Screw-CARR	5	108-4059-01	1	Plate-Hinge, Rear
2	106-3246-01	1	Deflector	6	106-3253-01	1	Plate-Hinge, Front
3	106-3248-03	1	Strap-Discharge	7	104-8301	4	Nut-HF, NI
4	110-0759	1	Deflector-Rubber				

Ground Drive Assembly



Ground Drive Assembly (continued)

<i>Ref.</i>	<i>Part Number</i>	<i>Qty.</i>	<i>Description</i>	<i>Ref.</i>	<i>Part Number</i>	<i>Qty.</i>	<i>Description</i>
1	138-5840	1	LH Accy Transmission	21	104-7201	3	Nut-HF, NI
2	138-5839	1	RH Transmission ASM	22		1	Gs Overflow Hose ASM ■
3	131-1131-03	1	Support-Transaxle	24	92-2379	1	Clamp-Hose
4	93-2569	4	Screw-HHF	25	131-7469	1	Rod-Bypass, RH
5	116-4701	16	Screw-HHF	26	131-7470	1	Rod-Bypass, LH
6	104-8301	18	Nut-HF, NI	27	108-2992	2	Pin-Hair
7	138-1108-03	1	Plate-Skid	28	32180-030	1	Clip-Tie
9	117-5351	1	Spacer	29	140-1888	2	Wheel And Tire ASM
10	1-413088	1	Bushing-Lever, Lift	29:1	140-1889	1	Rim-8 Inch Black
11	131-1175	1	Arm-Idler	29:2	120-6466	1	Tire
12	114-0463	2	Washer-Friction, Composite	29:3	232-27	1	Stem-Valve
13	110-9981	1	Washer-Plain	30	242-50	8	Nut-Lug
14	3234-39	1	Screw-HHF	31	132-7584	2	Spacer-Hex
15	93-1622	1	Pulley-Idler	32	104-8300	2	Nut-HF, NI
16	3231-4	1	Screw-CARR	33	3290-250	2	Pin-Cotter
17	138-1104	1	Spring-Extension	34	2412-129	2	Clamp-Hose
18	131-1124	1	Belt-V	35	3290-378	1	Tie-Cable
19	132-1135	1	Tank-HYD	36	136-1290	2	Fitting-Elbow 90
19:2	133-8677	1	Cap-Vented	37	83-2080	1	Hose-Valve, Tank
19:5	140-9463	1	Strainer-Neck, Removable ●	38	133-0223	1	Hose-Fuel
20	3229-25	3	Screw-CARR	39	110-3257	1	Hose-Fuel

● Not illustrated

■ Not serviced separately

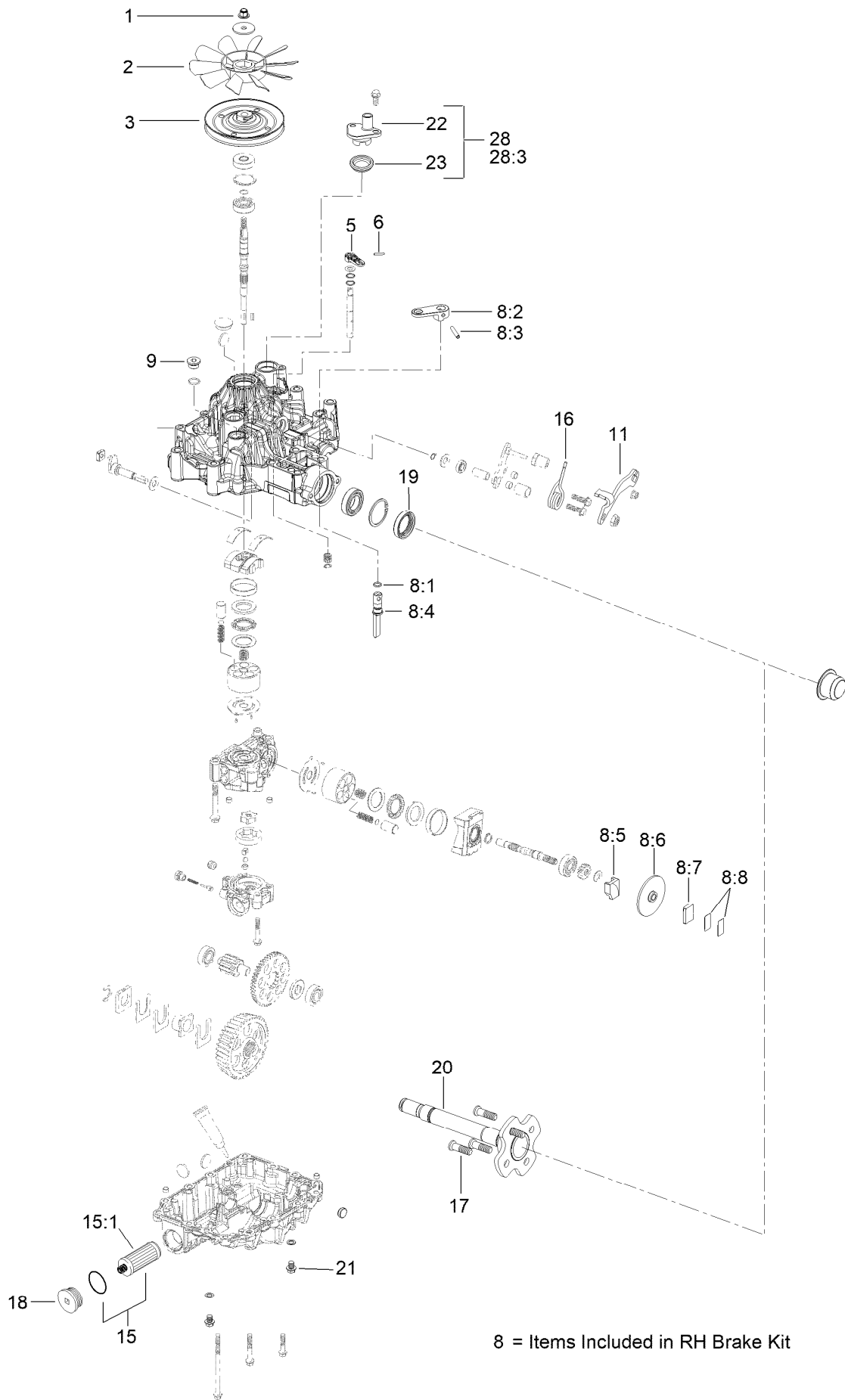
LH Transmission Assembly No. 138-5840 (continued)

<i>Ref.</i>	<i>Part Number</i>	<i>Qty.</i>	<i>Description</i>	<i>Ref.</i>	<i>Part Number</i>	<i>Qty.</i>	<i>Description</i>
1	132-4737	1	Nut-Lock	15:3		4	Sealing Washer ■●
2	132-4738	1	Fan	16	137-4109	1	Spring-Torsion
3	132-4739	1	Pulley	17	137-4107	2	Connector
5	104-3265	1	Pin	18	125-7222	1	Bolt
6	132-4700	1	Lever-Bypass	19	33104-045	1	Screw-HHF
8	133-1468	1	Brake Kit,Left	20	136-5408	1	Manifold
8:1		1	O-Ring ■	20	93-0474	1	Plug
8:2		1	Brake Arm ■	21	137-9509	4	Stud-Wheel
8:3		1	Roll Pin ■	22	138-4613	1	Cap-Oil Filter
8:4		1	Brake Shaft ■	23	139-5587	1	Seal-Axle, Ua
8:5		1	Brake Actuator ■	24	139-5588	1	Axle
8:6		1	Brake Disc ■	25	139-5589	2	Drain Bolt
8:7		1	Brake Shoe ■	26	139-5590	1	Expansion Fitting
8:8		1	Shim Kit ■	27	139-5591	1	Grommet Seal, Expansion Fitting
9	132-4735	1	Cap-Oil	28	139-7871	1	Expansion Fitting - W/ Seal
11	136-5401	1	Lever-Control, RH	28:3		1	M8*20 Flange Bolt ■
15	144-3842	1	2 Transmission Filter Kit				
15:1		2	Filter (1A6370-26450) ■				

● Not illustrated

■ Not serviced separately

RH Transmission Assembly No. 138-5839



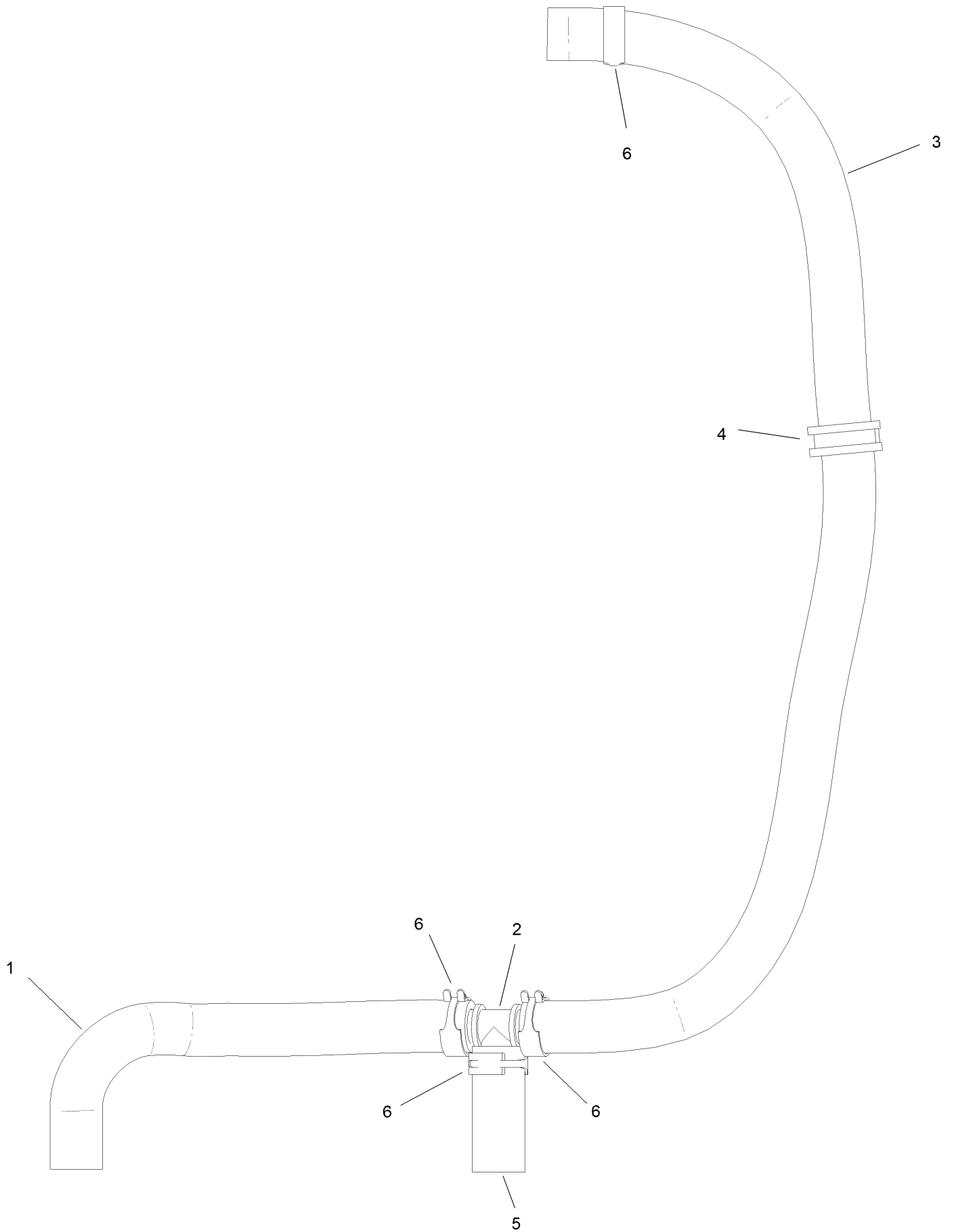
RH Transmission Assembly No. 138-5839 (continued)

<i>Ref.</i>	<i>Part Number</i>	<i>Qty.</i>	<i>Description</i>	<i>Ref.</i>	<i>Part Number</i>	<i>Qty.</i>	<i>Description</i>
1	132-4737	1	Nut-Lock	11	136-5401	1	Lever-Control, RH
2	132-4738	1	Fan	15	144-3842	1	2 Transmission Filter Kit
3	132-4739	1	Pulley	15:1		2	Filter (1A6370-26450) ■
5	104-3265	1	Pin	15:3		4	Sealing Washer ■●
6	132-4700	1	Lever-Bypass	16	137-4109	1	Spring-Torsion
8	133-1462	1	RH Brake Kit	17	137-9509	4	Stud-Wheel
8:1		1	O-Ring ■	18	138-4613	1	Cap-Oil Filter
8:2		1	Arm-Brake ■	19	139-5587	1	Seal-Axle, Ua
8:3		1	Pin-Roll ■	20	139-5588	1	Axle
8:4		1	Shaft-Brake ■	21	139-5589	2	Drain Bolt
8:5		1	Actuator-Brake ■	22	139-5590	1	Expansion Fitting
8:6		1	Disc-Brake ■	23	139-5591	1	Grommet Seal, Expansion Fitting
8:7		1	Shoe-Brake ■	28	139-7871	1	Expansion Fitting - W/ Seal
8:8		1	Shim Kit ■	28:3		1	M8*20 Flange Bolt ■
9	132-4735	1	Cap-Oil				

● Not illustrated

■ Not serviced separately

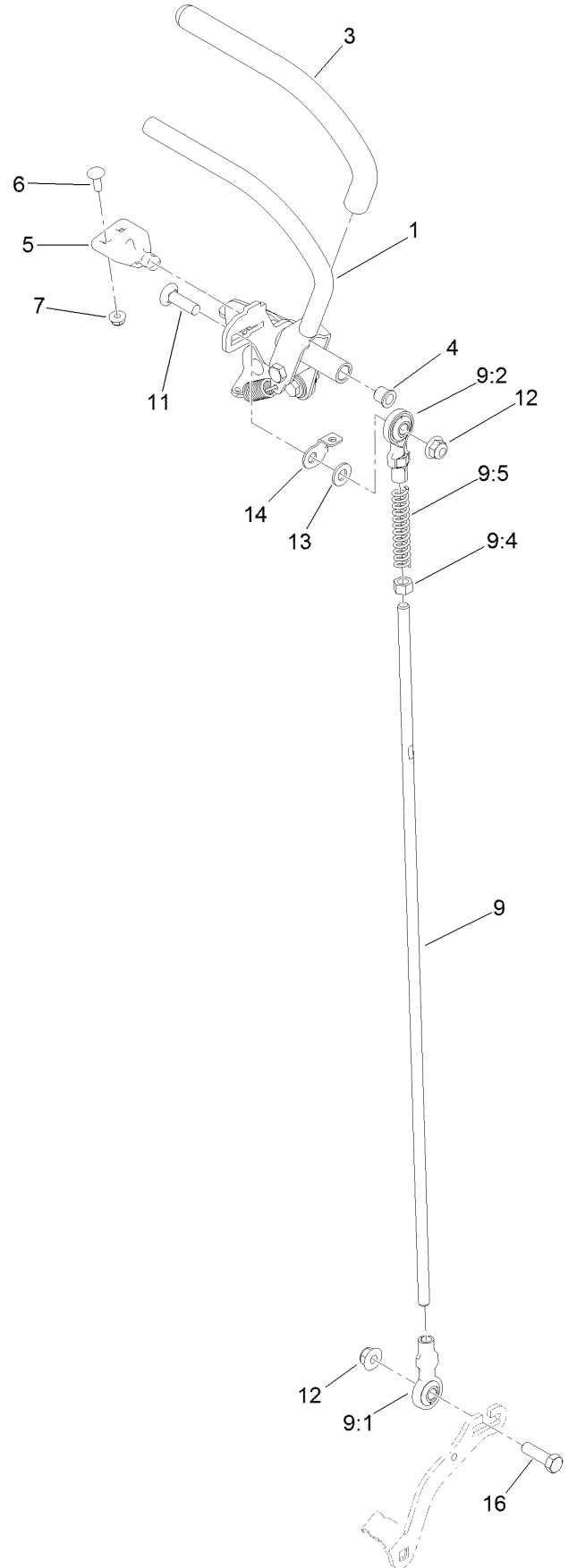
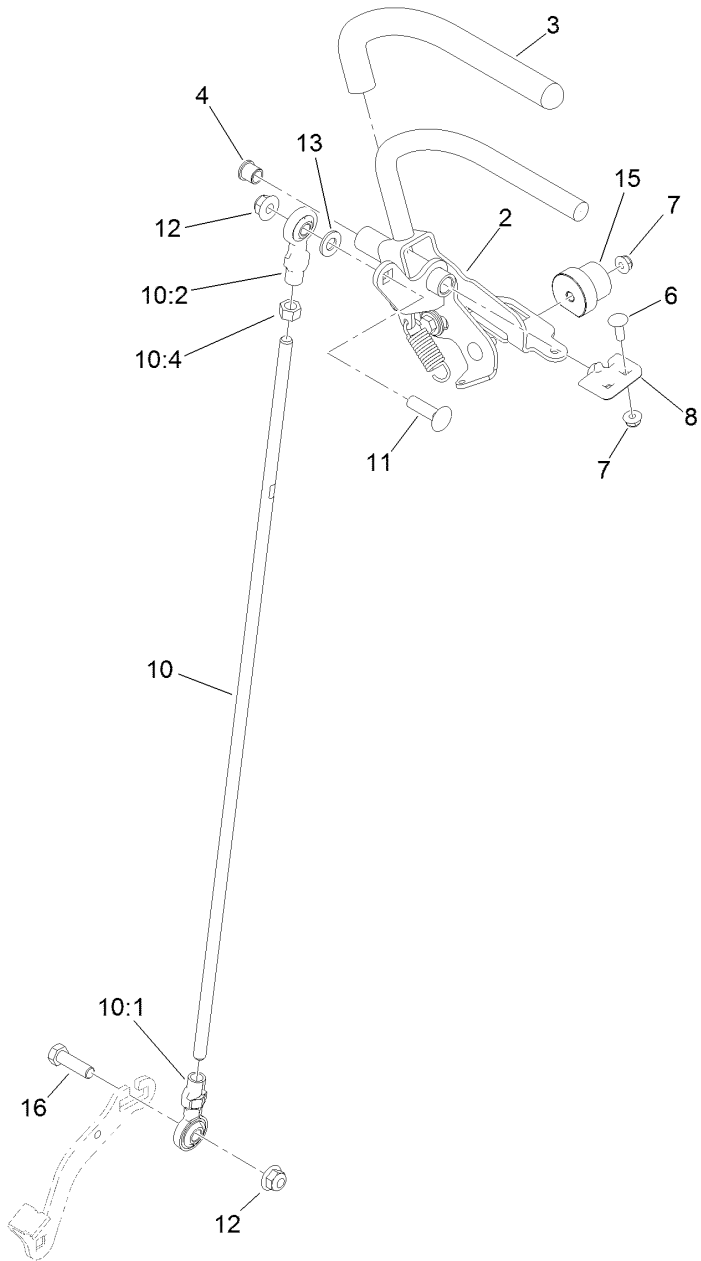
Overflow Hose Assembly



Overflow Hose Assembly (continued)

<i>Ref.</i>	<i>Part Number</i>	<i>Qty.</i>	<i>Description</i>	<i>Ref.</i>	<i>Part Number</i>	<i>Qty.</i>	<i>Description</i>
1	145-3444	1	Hose-Hydraulic	4	147-0201	1	R-Clamp
2	139-4055	1	Fitting Tee	5	147-0204	1	Hydraulic Hose
3	147-0202	1	Hydraulic Hose	6	145-3599	4	Hose Clamp

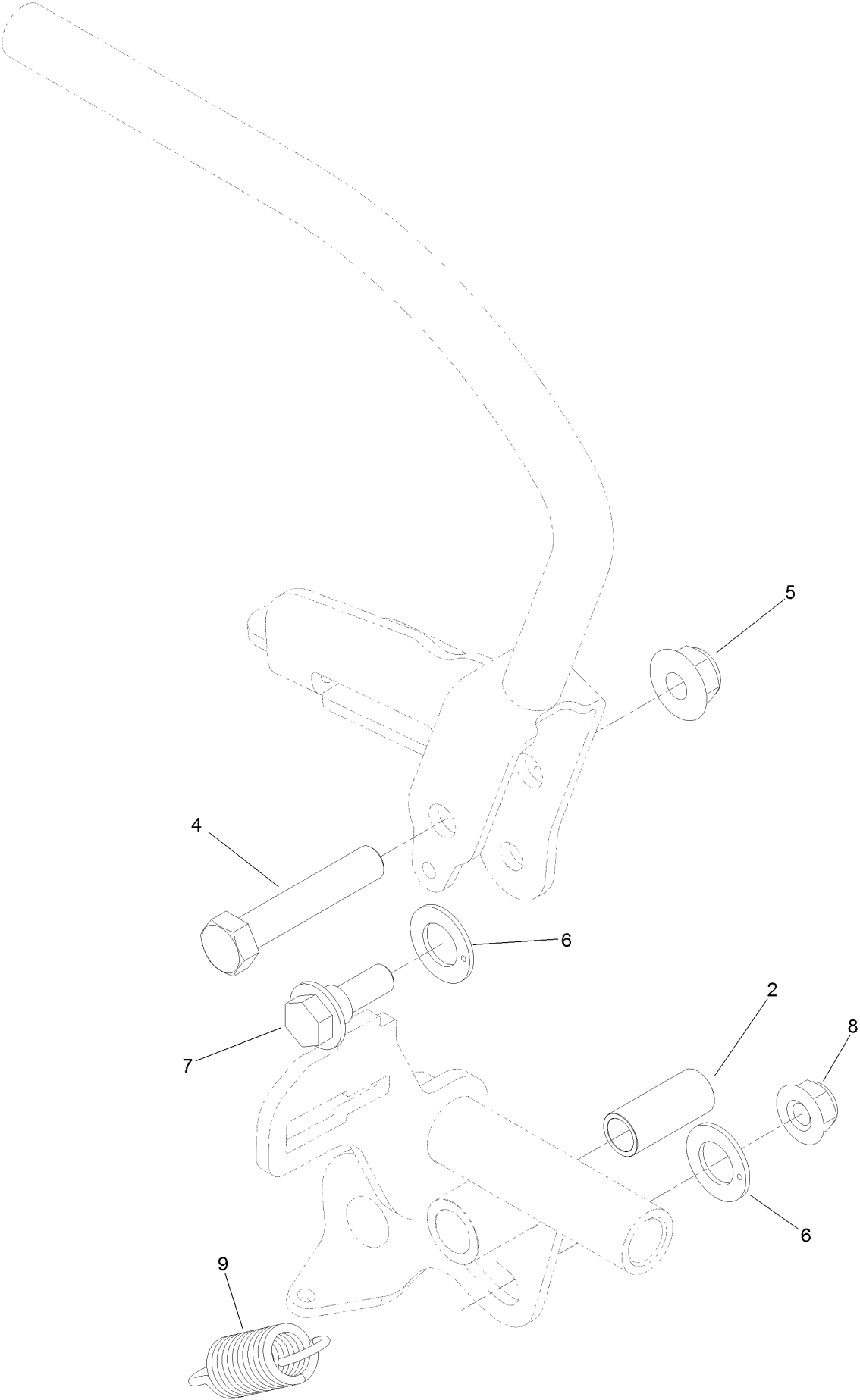
Motion Control Assembly



Motion Control Assembly (continued)

<i>Ref.</i>	<i>Part Number</i>	<i>Qty.</i>	<i>Description</i>	<i>Ref.</i>	<i>Part Number</i>	<i>Qty.</i>	<i>Description</i>
1	132-5157	1	LH Control Handle ASM	9:5	1-603807	1	Spring-Return, Neutral
2	132-5158	1	RH Control Handle ASM	10	138-4620	1	RH Control Rod ASM
3	119-0222	2	Grip	10:1	138-4647	1	Ball Joint-LH
4	103-9928	2	Bearing	10:2	138-4648	1	Ball Joint-RH
5	120-3288	1	Tab-Pivot, LH	10:4	3219-3	1	Nut-Hex
6	3229-1	4	Screw-CARR	11	3231-28	2	Screw-CARR
7	104-7201	6	Nut-HF, NI	12	104-8301	4	Nut-HF, NI
8	120-3287	1	Tab-Pivot, RH	13	3256-24	2	Washer-Plain
9	138-4619	1	LH Control Rod ASM	14	132-7538	1	Bracket-Adjustment, Speed
9:1	138-4647	1	Ball Joint-LH	15	126-1499	2	Cam
9:2	138-4648	1	Ball Joint-RH	16	323-7	2	Screw-HH
9:4	3219-3	1	Nut-Hex				

Control Handle Assembly No. 132-5157

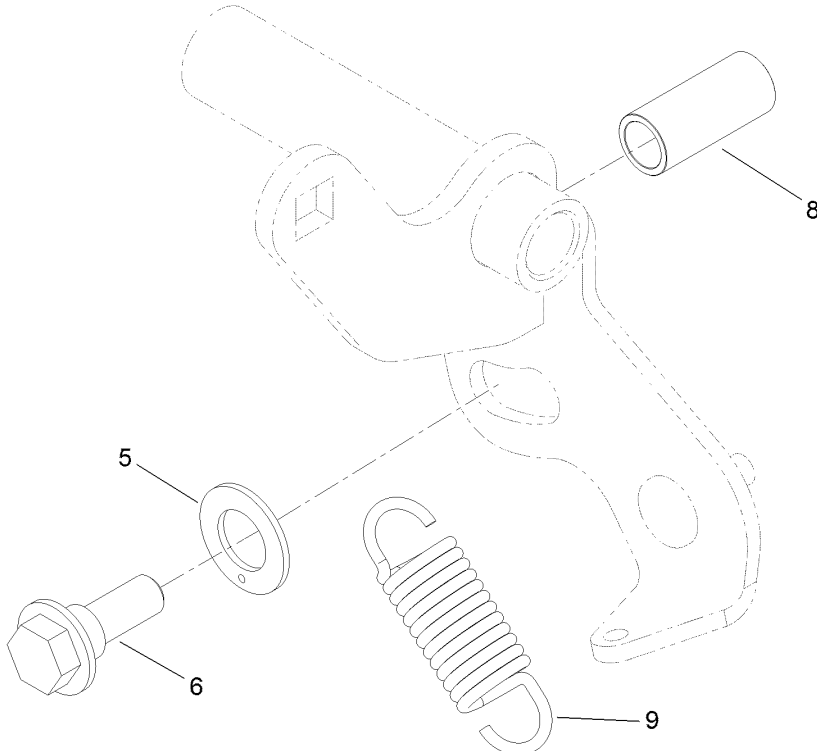
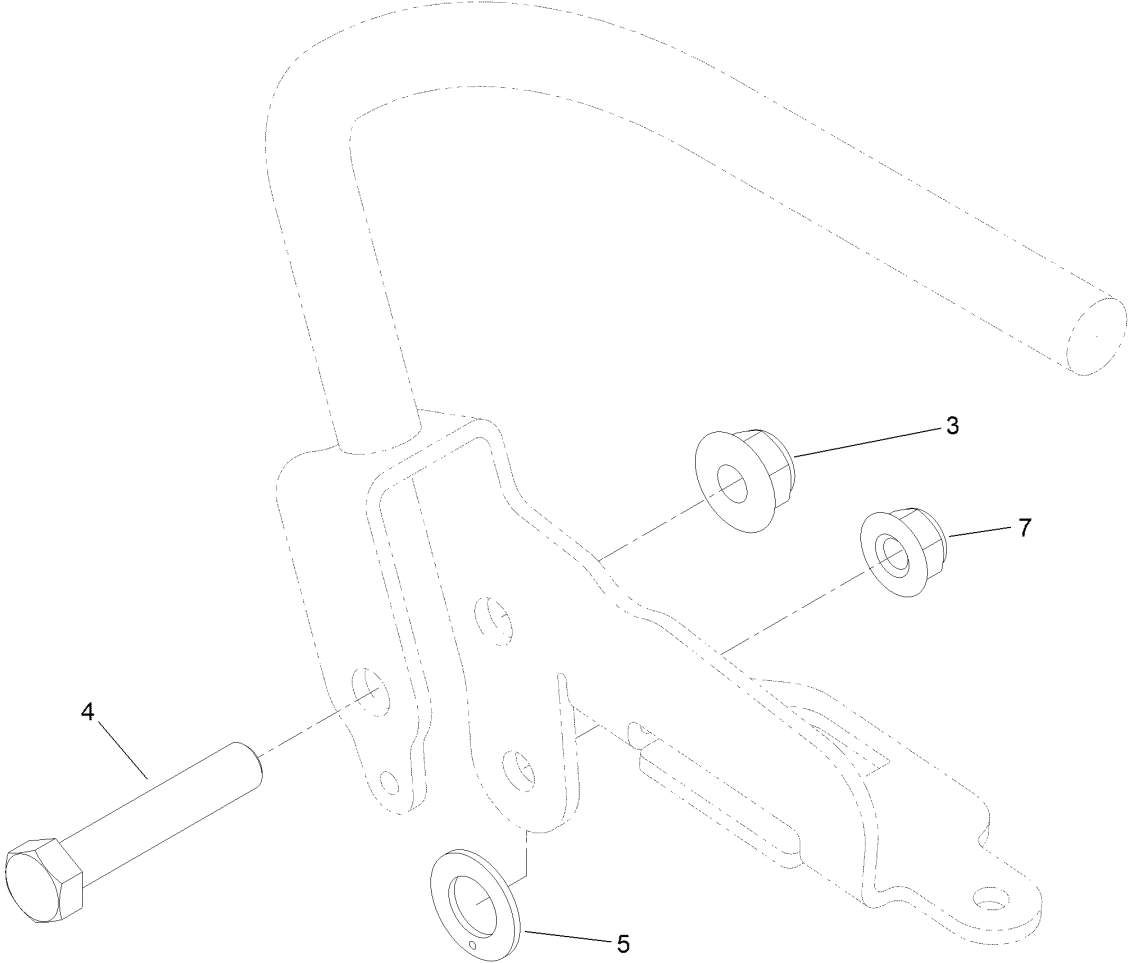


Control Handle Assembly No. 132-5157 (continued)

<i>Ref.</i>	<i>Part Number</i>	<i>Qty.</i>	<i>Description</i>
2	131-3562	1	Bearing-Sleeve
4	323-10	1	Screw-HH
5	104-8301	1	Nut-HF, NI
6	110-7191	2	Washer-Thrust

<i>Ref.</i>	<i>Part Number</i>	<i>Qty.</i>	<i>Description</i>
7	116-2670	1	Screw-Shoulder
8	104-8300	1	Nut-HF, NI
9	132-5146	1	Spring-Extension

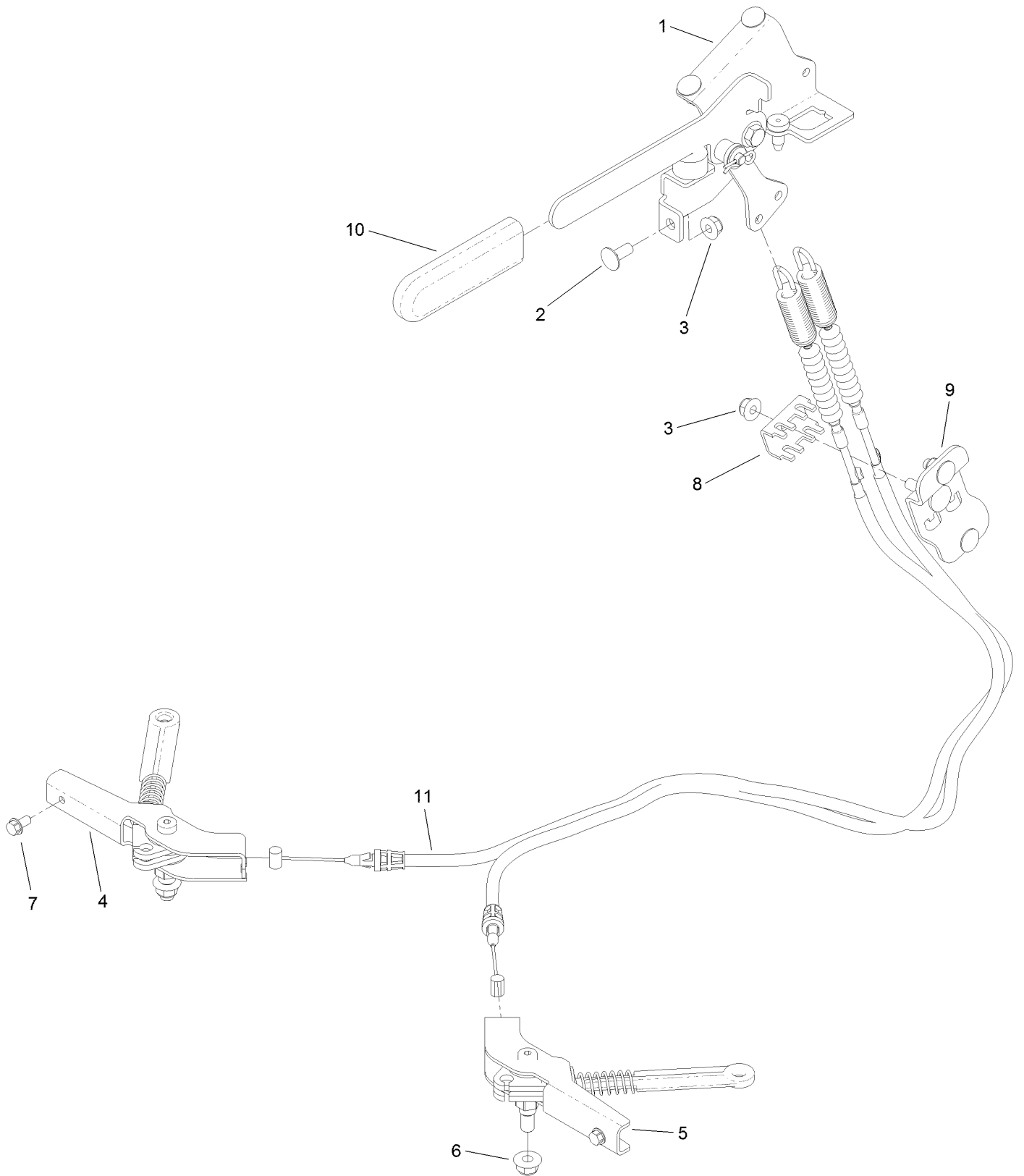
Control Handle Assembly No. 132-5158



Control Handle Assembly No. 132-5158 (continued)

<i>Ref.</i>	<i>Part Number</i>	<i>Qty.</i>	<i>Description</i>	<i>Ref.</i>	<i>Part Number</i>	<i>Qty.</i>	<i>Description</i>
3	104-8301	1	Nut-HF, NI	7	104-8300	1	Nut-HF, NI
4	323-10	1	Screw-HH	8	131-3562	1	Bearing-Sleeve
5	110-7191	2	Washer-Thrust	9	132-5146	1	Spring-Extension
6	116-2670	1	Screw-Shoulder				

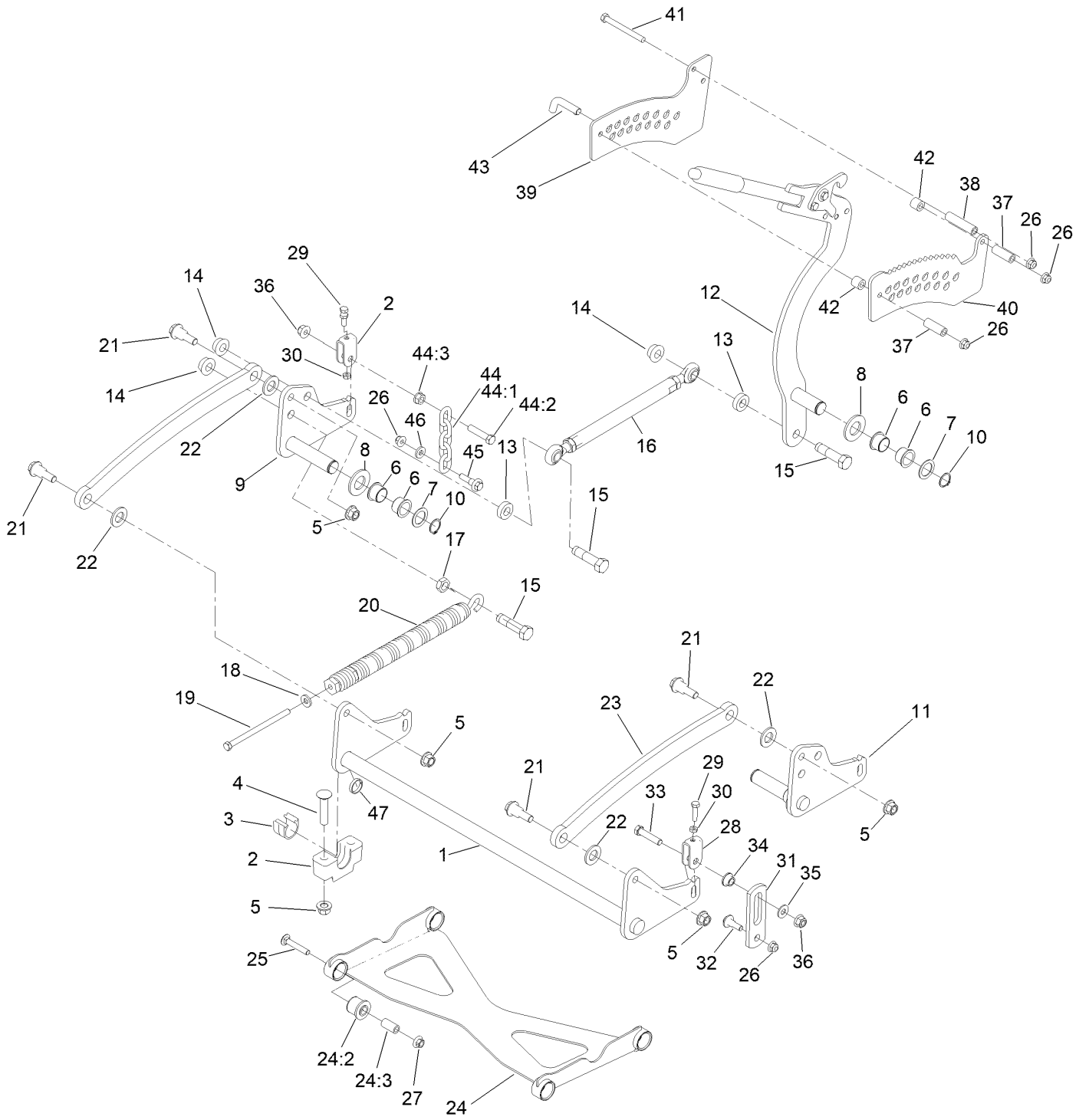
Parking Brake Assembly



Parking Brake Assembly (continued)

<i>Ref.</i>	<i>Part Number</i>	<i>Qty.</i>	<i>Description</i>	<i>Ref.</i>	<i>Part Number</i>	<i>Qty.</i>	<i>Description</i>
1	132-5170	1	Brake Handle ASM	7	32144-4	2	Screw-HWH
2	3230-23	5	Bolt-CARR	8	132-1187	1	Clamp-Cable
3	104-8300	6	Nut-HF, NI	9	132-7582	1	Mount-Cable, Brake
4	132-5168	1	RH Brake Caliper ASM	10	1-633268	1	Grip-Lever
5	132-5169	1	LH Brake Caliper ASM	11	131-1195	2	Cable-Brake
6	104-8301	2	Nut-HF, NI				

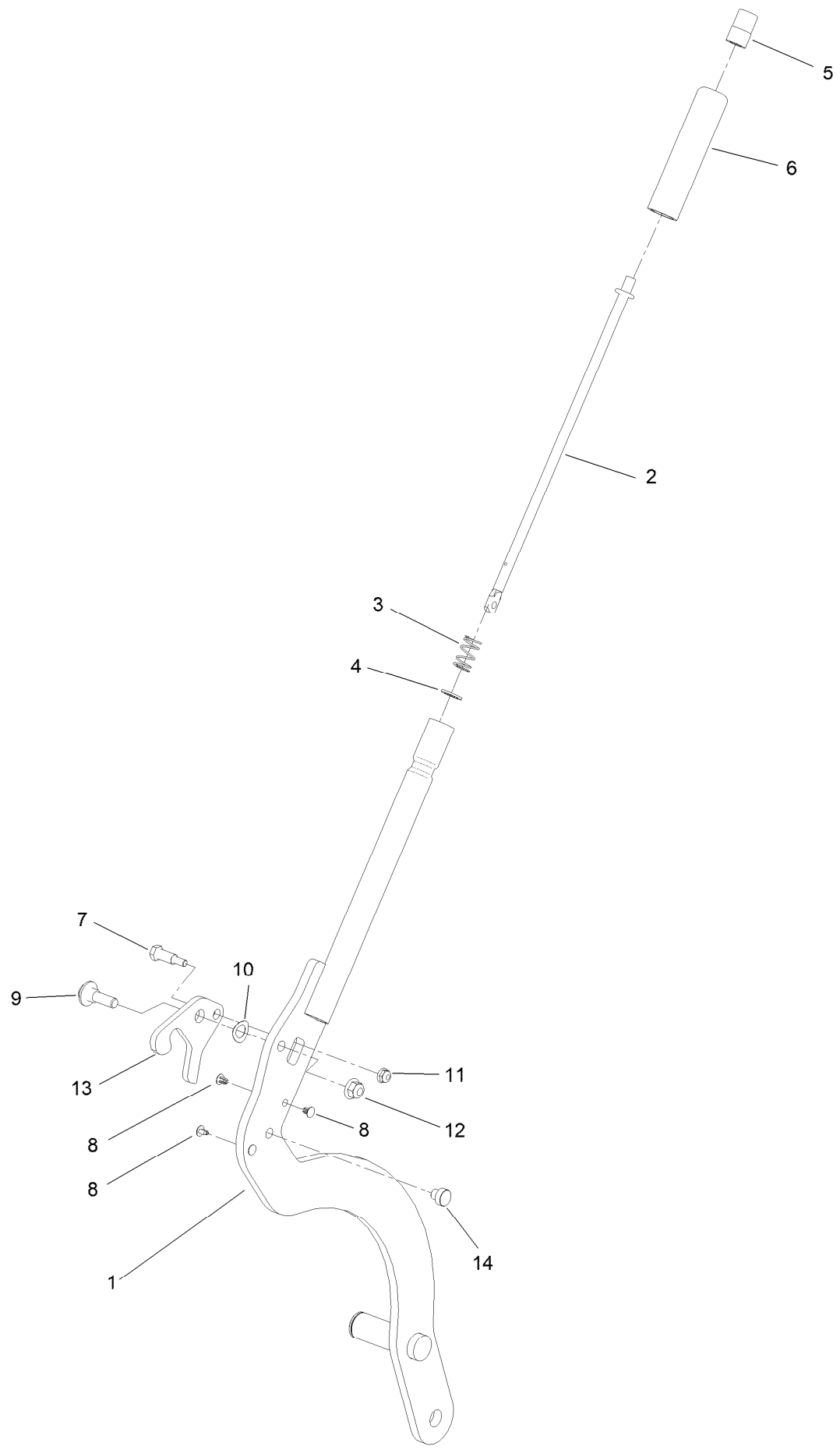
Deck Lift Assembly



Deck Lift Assembly (continued)

<i>Ref.</i>	<i>Part Number</i>	<i>Qty.</i>	<i>Description</i>	<i>Ref.</i>	<i>Part Number</i>	<i>Qty.</i>	<i>Description</i>
1	120-8405-01	1	Shaft-Cross, Front	25	3231-7	4	Screw-CARR
2	109-9409	2	Support-Bearing, Cross Shaft (Front)	26	104-8301	7	Nut-HF, NI
3	109-9410	2	Bearing-Cross Shaft, Front	27	32128-19	4	Nut-HF Lock, Large Flg
4	116-1700	4	Bolt-CARR	28	109-9066	4	Yoke-Adjust, Deck
5	99-5107	8	Nut-Lock	29	322-47	4	Screw-HH
6	127-0369	6	Bushing	30	3218-2	8	Nut-Hex Jam
7	10-8110	3	Washer-Thrust	31	130-6589	2	Link-Lift
8	3256-62	3	Washer-Flat	32	109-9840	2	Screw-Shoulder, HHF
9	127-0616-01	1	Arm-Lift, Rear (RH)	33	109-9065	2	Screw-HH
10	32151-29	3	Ring-Retaining	34	116-2428	2	Bushing-Flanged
11	127-0615-01	1	Arm-Lift, Rear (LH)	35	3256-4	2	Washer-Flat
12	130-1755	1	HOC Lever ASM	36	3296-48	4	Nut-Hex
13	119-6223	2	Washer	37	95-6448	2	Spacer
14	138-4932	3	Nut-Hex Flg	38	138-1111	1	Spacer
15	138-4931	3	Screw-Lock	39	132-7581	1	HOC Plate And Decal ASM
16	130-6615	1	HOC Link ASM	40	138-4887	1	Plate-HOC, Inner
17	3218-6	1	Nut-Jam	41	116-4701	3	Screw-HHF
18	98-5975	1	Washer-Belleville	42	121-1760	2	Spacer
19	323-58	1	Bolt-TAP, HH	43	116-5584	1	Pin-HOC
20	116-0886	1	Spring-Extension	44	116-0756	2	Deck Lift Chain ASM
21	116-0780	4	Screw-Shoulder, HHF	44:1	1-633447	1	Chain-Lift, Deck
22	3256-28	4	Washer-Flat	44:2	109-9065	1	Screw-HH
23	127-1948-03	2	Link-Lift	44:3	32128-37	1	Nut-HF
24	137-4129	1	Deck Strut ASM	45	130-0742	2	Bolt-Shoulder
24:2	137-4108	4	Bushing-Rubber	46	43-0940	2	Spacer
24:3	108-6544	4	Spacer	47	133-1431	1	Spacer-Split

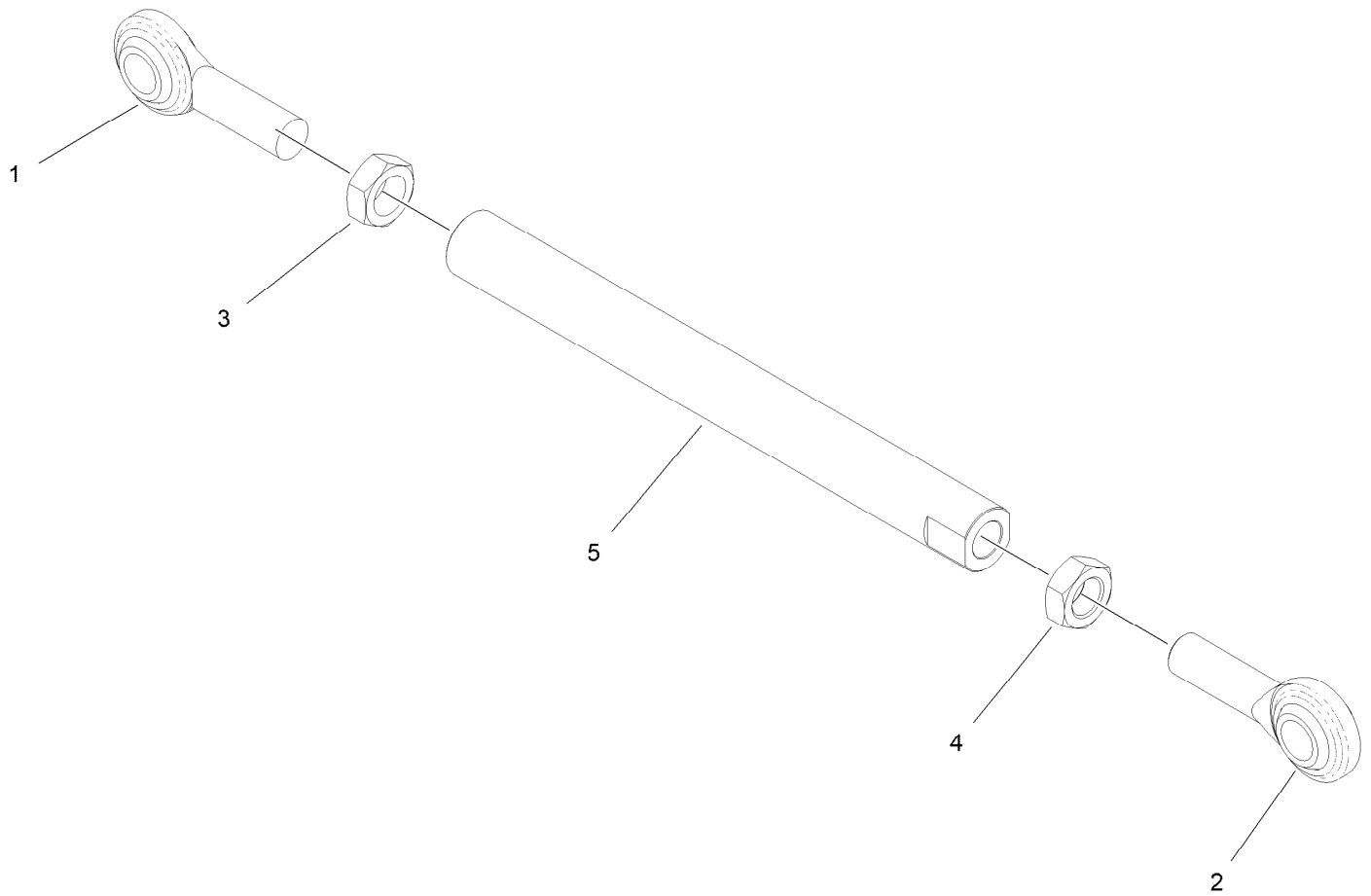
HOC Level Assembly No. 130-1755



HOC Level Assembly No. 130-1755 (continued)

<i>Ref.</i>	<i>Part Number</i>	<i>Qty.</i>	<i>Description</i>	<i>Ref.</i>	<i>Part Number</i>	<i>Qty.</i>	<i>Description</i>
1	130-1775-01	1	Lever-Lift	8	103-1363	4	Rivet
2	136-0530	1	Rod-Latch, Release	9	614672	1	Screw-Shoulder, HWH
3	114-8187	1	Spring-Compression	10	110-8982	1	Washer-Spring
4	114-1207	1	Washer-Special	11	104-7201	1	Nut-HF, NI
5	115-2750	1	Knob	12	104-8301	1	Nut-HF, NI
6	115-3592	1	Grip	13	138-4888	1	Latch-HOC
7	119-2309	1	Bolt-Shoulder	14	138-4863	1	Plug-Wear

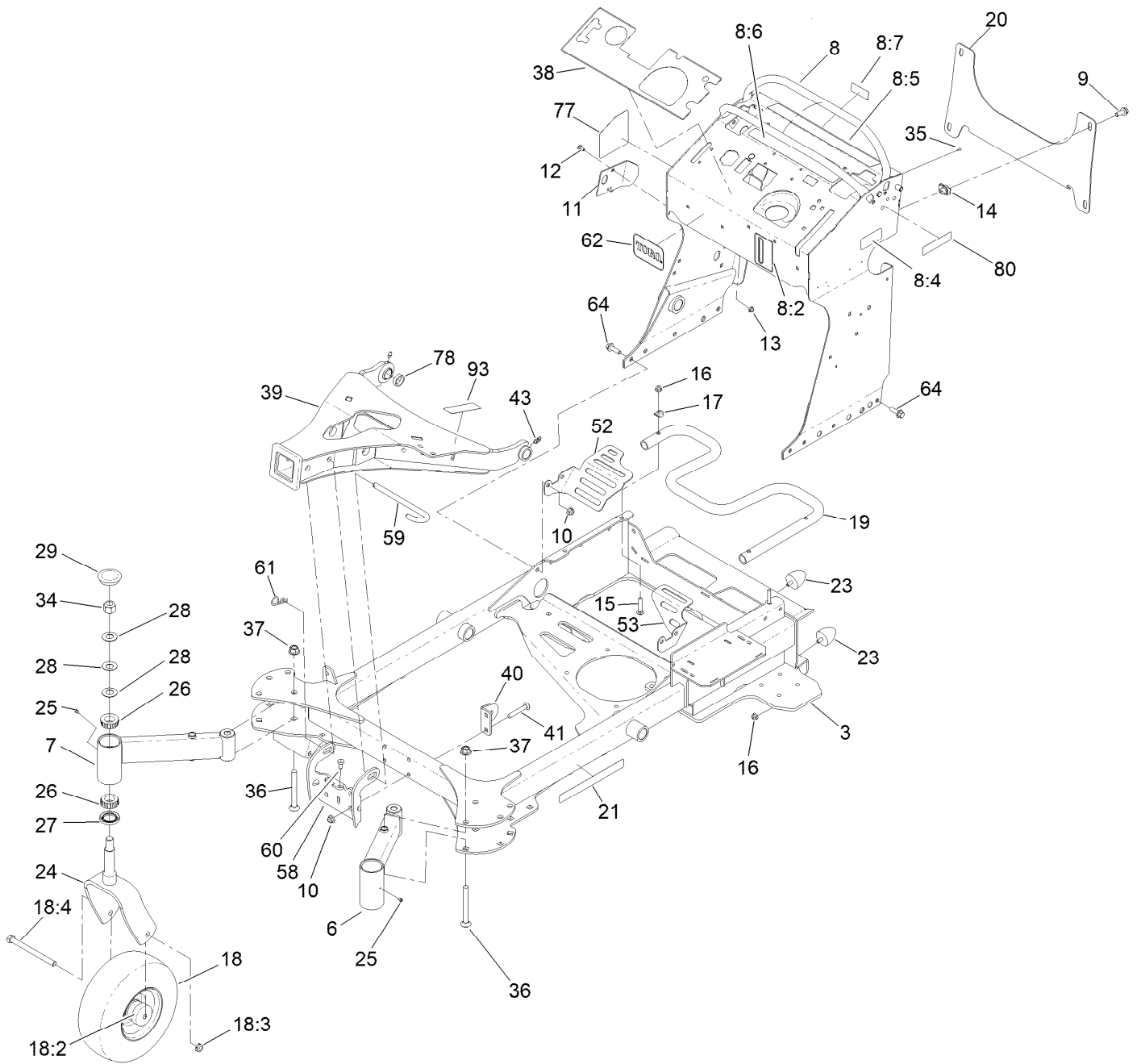
HOC Link Assembly No. 130-6615



HOC Link Assembly No. 130-6615 (continued)

<i>Ref.</i>	<i>Part Number</i>	<i>Qty.</i>	<i>Description</i>	<i>Ref.</i>	<i>Part Number</i>	<i>Qty.</i>	<i>Description</i>
1	1-633029	1	Balljoint-Spherical	4	117-5293	1	Nut-Jam
2	117-5291	1	Balljoint-Spherical	5	130-6614	1	Link-Height Of Cut
3	3220-6	1	Nut-Jam				

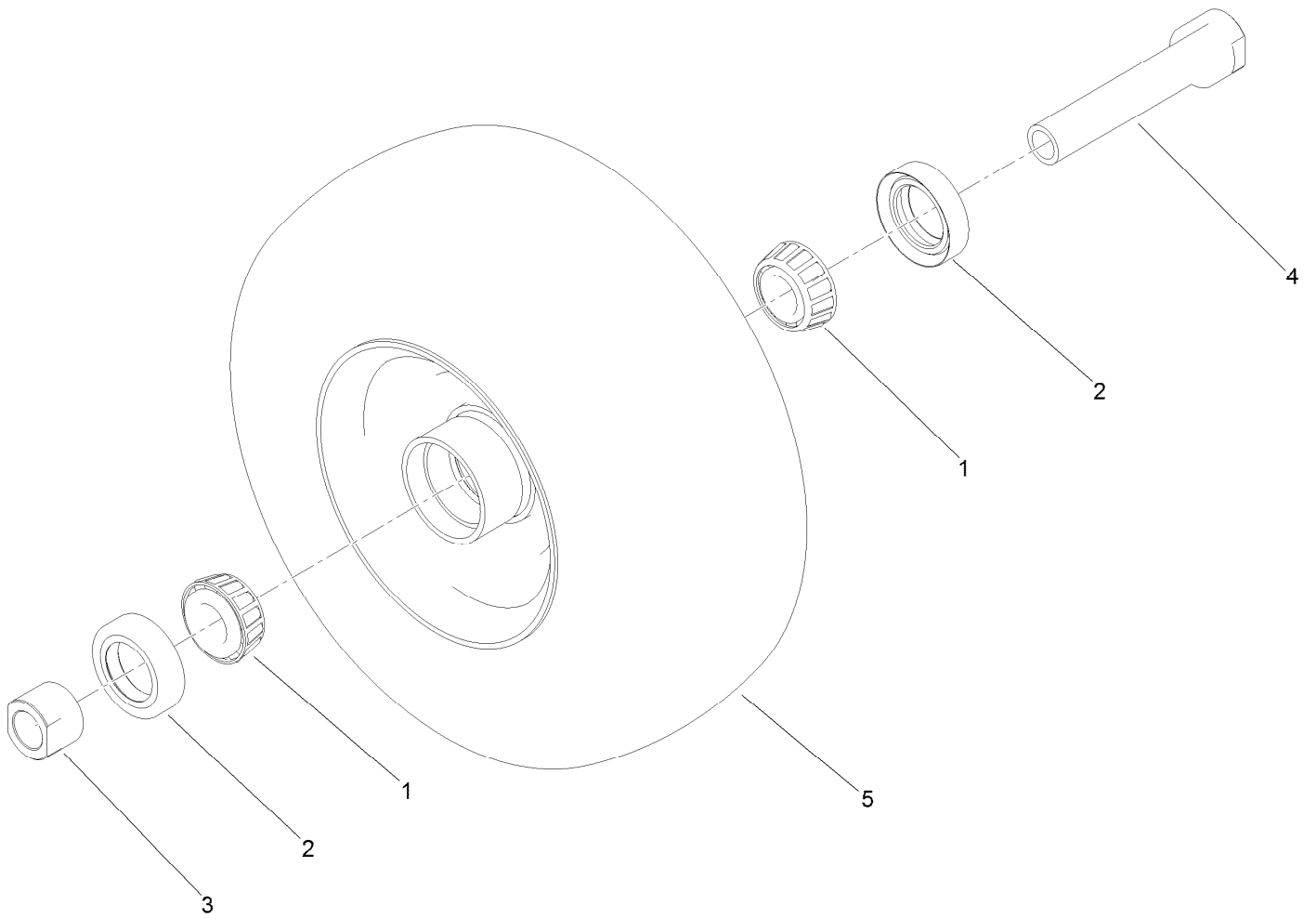
Frame Assembly



Frame Assembly (continued)

Ref.	Part Number	Qty.	Description	Ref.	Part Number	Qty.	Description
3	131-1510-01	1	Frame	25	1-811010	2	Plug
6	131-1523-01	1	Tube-Castor, Short	26	1-543509	4	Bearing-Roller, Tapered
7	131-1524-01	1	Tube-Castor, Long	27	116-5647	2	Seal-Grease
8	140-4283	1	Tower Decal ASM	28	1-633508	6	Washer-Bellville
8:2	147-7921	1	Decal-Oil Level	29	103-4882	2	Cap-Grease
8:4	116-8775	1	Decal-Fill, Fuel	34	3296-51	2	Nut-Lock, NI
8:5	139-2878	1	Decal-Warning	35	3290-271	2	Rivet-Pop
8:6	131-3526	1	Decal-Controls	36	3233-7	4	Screw-CARR
8:7	147-0212	1	Decal - Fuse	37	99-5107	4	Nut-Lock
9	3234-42	4	Screw-HHF	38	140-4260	1	Decal, Multi-Force
10	104-8301	12	Nut-HF, NI	39	133-4662-03	1	A-Frame
11	131-7455	1	Plate-Striker	40	127-0649-01	2	Bracket-Cylinder
12	3229-11	1	Screw-CARR	41	3231-44	4	Screw-CARR
13	104-7201	1	Nut-HF, NI	43	302-40	1	Fitting-Grease, 90 DEG
14	105-4886	4	Nut-Tinnerman	52	132-7578-01	1	Guard-Fan, RH
15	3230-5	3	Bolt-CARR	53	132-7598-01	1	Guard-Fan, LH
16	104-8300	7	Nut-HF, NI	58	133-5320-01	1	Bracket-Lock
17	107-3844	3	Washer	59	133-2021	1	Pin-Hitch
18	140-5485	2	Mf Wheel Tire Bearing ASM	60	87-8460	2	Bumper-Rubber
18:2	103-2768	2	Guard-Seal	61	92-2762	1	Pin-Hair
18:3	3296-45	1	Nut-Hex	62	126-5060	1	Decal-Logo, Toro
18:4	325-20	1	Screw-HH	64	119-4061	8	Screw-HHF
19	132-5161-01	1	Tube-Mount, Fuel Tank	77	133-4648	1	Decal Service-Multiforce
20	132-1145-03	1	Bracket-Cross	78	116-6758	1	Spacer
21	117-3591	2	Decal-Commercial	80	133-8062	1	Decal-Arrestor, Spark
23	114-1926	4	Bumper-Rubber	93	115-4855	1	Decal-Caution
24	147-6343-01	2	Caster Fork ASM [red]				

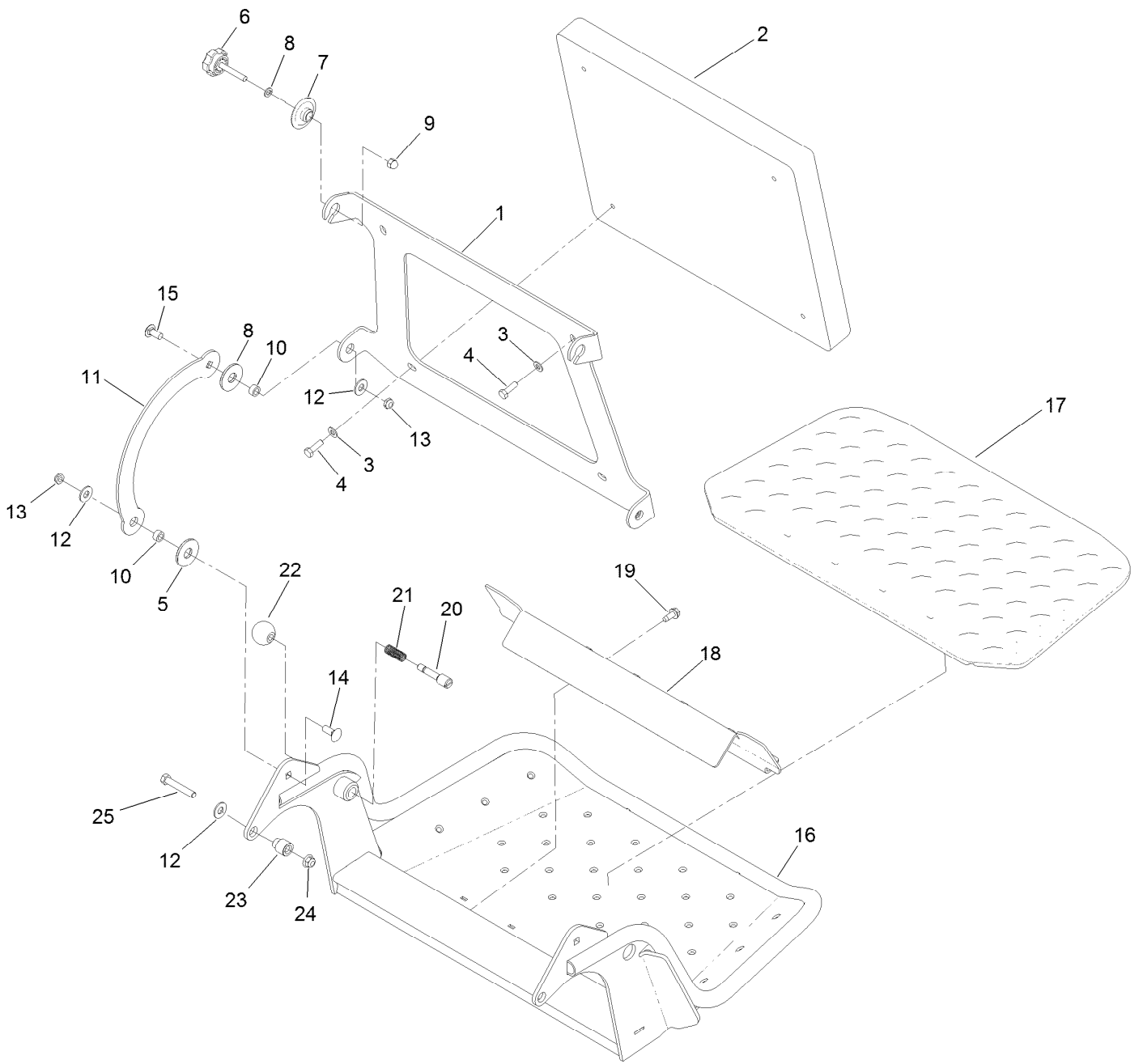
Wheel and Bearing Assembly



Wheel and Bearing Assembly (continued)

Ref.	Part Number	Qty.	Description	Ref.	Part Number	Qty.	Description
1	1-633585	2	Bearing-Cone, Taper	4	126-5359	1	Caster Axle ASM
2	103-0063	2	Seal-Caster	5	140-5483	1	Mf Wheel And Tire ASM
3	103-3051	1	Spacer-Nut				

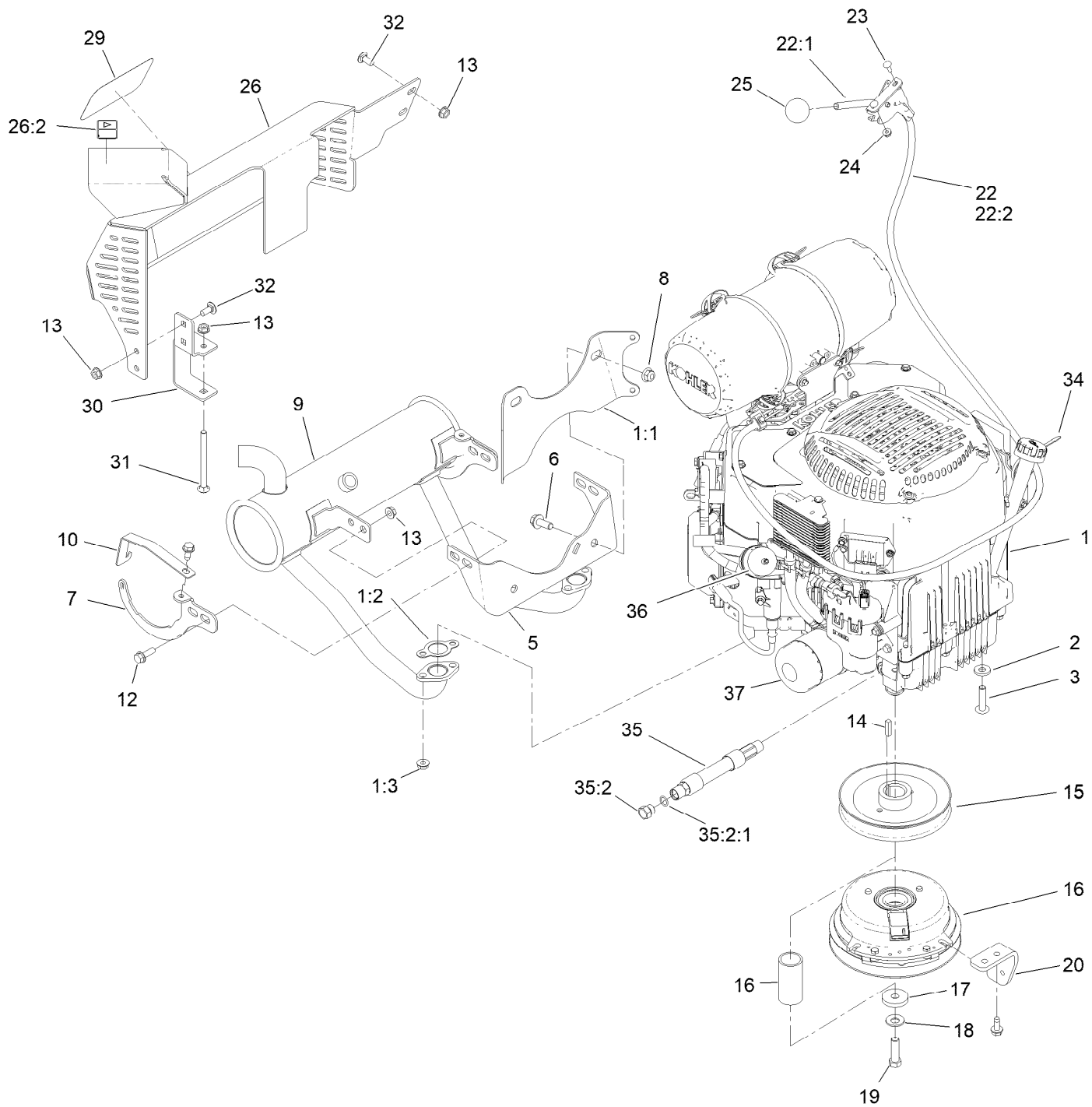
Platform Assembly



Platform Assembly (continued)

Ref.	Part Number	Qty.	Description	Ref.	Part Number	Qty.	Description
1	120-8499-03	1	Hinge-Pad	14	3231-2	2	Bolt-CARR
2	117-9739	1	Pad-Cushion	15	3231-27	2	Screw-CARR
3	3256-23	4	Washer-Plain	16	120-8475-01	1	Platform
4	121-7999	4	Screw-HH	17	126-7157	1	Mat-Platform
5	114-0463	4	Washer-Friction, Composite	18	3345-771	1	Shield Clamp Kit
6	133-1426	2	Knob	19	32144-70	2	Screw-HWHTF
7	116-2886	2	Slide-Bushing	20	119-8650	1	Pin-Latch
8	3253-4	2	Washer-Lock	21	114-5348	1	Spring
9	137-4808	2	Nut-Acorn	22	1-603175	1	Knob-Ball
10	111044	4	Spacer	23	132-7583	2	Bushing-Flanged
11	114-1915-01	2	Link-Pad	24	104-8301	2	Nut-HF, NI
12	3256-4	6	Washer-Flat	25	323-45	2	Screw-HH
13	3296-59	4	Nut-Lock, NI				

Engine Assembly



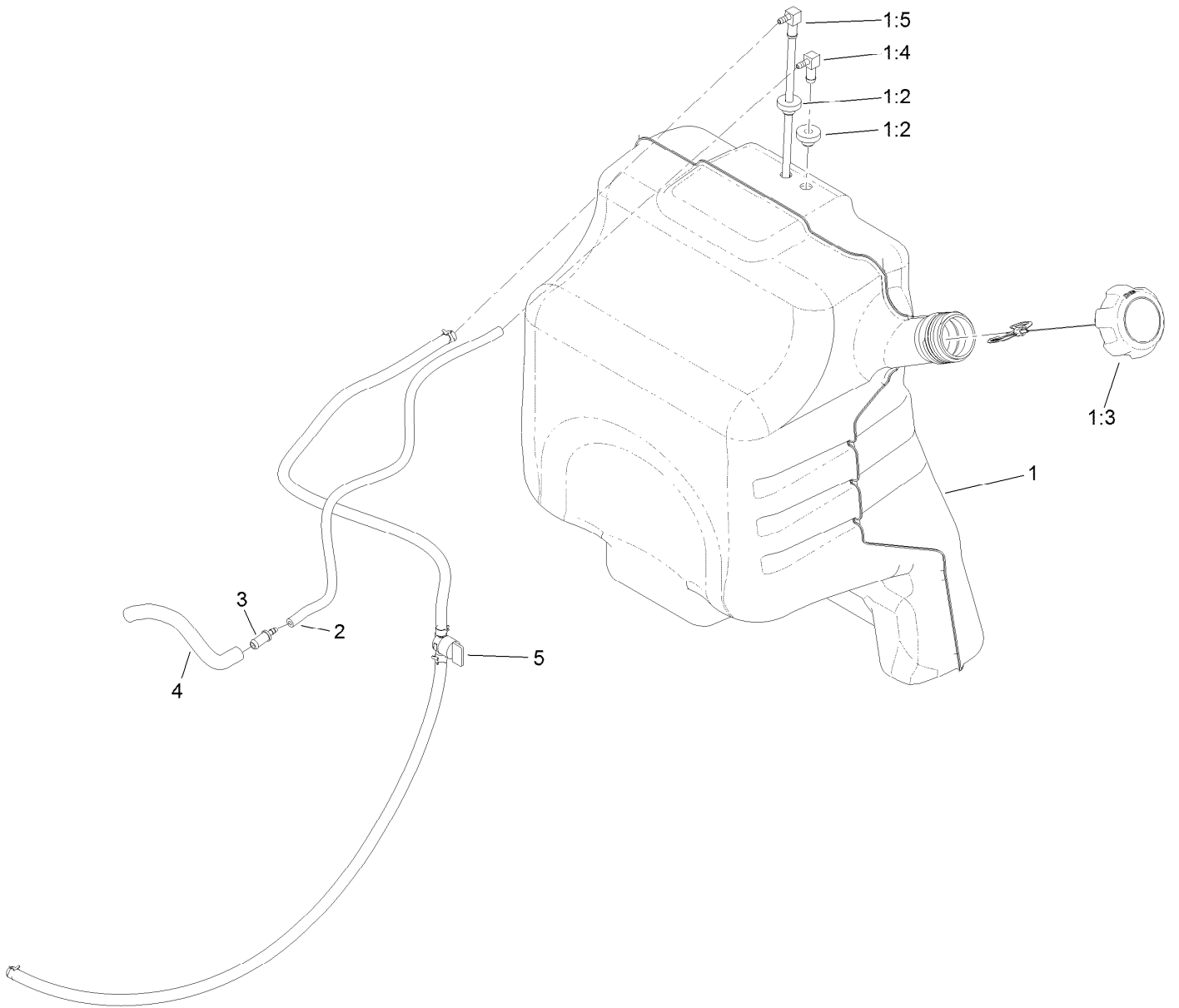
Engine Assembly (continued)

<i>Ref.</i>	<i>Part Number</i>	<i>Qty.</i>	<i>Description</i>	<i>Ref.</i>	<i>Part Number</i>	<i>Qty.</i>	<i>Description</i>
1		1	Engine-Kohler, Ecv749 ●■	20	131-3586-03	1	Stop-Clutch
1:1	131-7400	1	Bracket-Muffler	22	147-1664	1	Throttle ASM
1:2	110-6697	2	Gasket-Exhaust	22:1	145-6187	1	Lever-Control
1:3	68-9400	4	Nut-Flange	22:2	147-1674	1	Cable-Throttle
2	98-5975	4	Washer-Belleville	23	1-807533	2	Bolt-CARR
3	126-0983	4	Screw-BHTF	24	32128-17	2	Nut-Lock, Flange
5	132-1168	1	Bracket-Muffler	25	1-603175	1	Knob-Ball
6	3234-42	2	Screw-HHF	26	131-3550	1	Muffler Guard ASM
7	133-4613	2	Support-Muffler	26:2	106-5517	1	Decal-Warning
8	104-8301	2	Nut-HF, NI	29	94-2579	1	Decal
9	133-4634	1	Muffler-Kohler	30	131-3530-03	1	Bracket-Mounting, Guard
10	133-4639	2	Bracket-Muffler, Koh	31	106-9758	1	Screw-CARR
12	3234-17	4	Screw-HHF	32	3230-23	4	Bolt-CARR
13	32128-25	9	Nut-HF	34	3290-378	1	Tie-Cable
14	1-807259	1	Key	35	133-4657	1	Hose ASM
15	120-8498	1	Pulley	35:2	353-508	1	Plug-HH
16	139-7910	1	Clutch-200Cms	35:2:1	237-42	1	O-Ring
17	107-4136	1	Washer	36	94-9695	1	Filter-Fuel
18	1-603610	1	Washer-Spring	37	98020	1	Filter-Oil
19	3212-6	1	Screw-HH				

● Not serviced separately

■ Obtain parts from www.kohlerplus.com

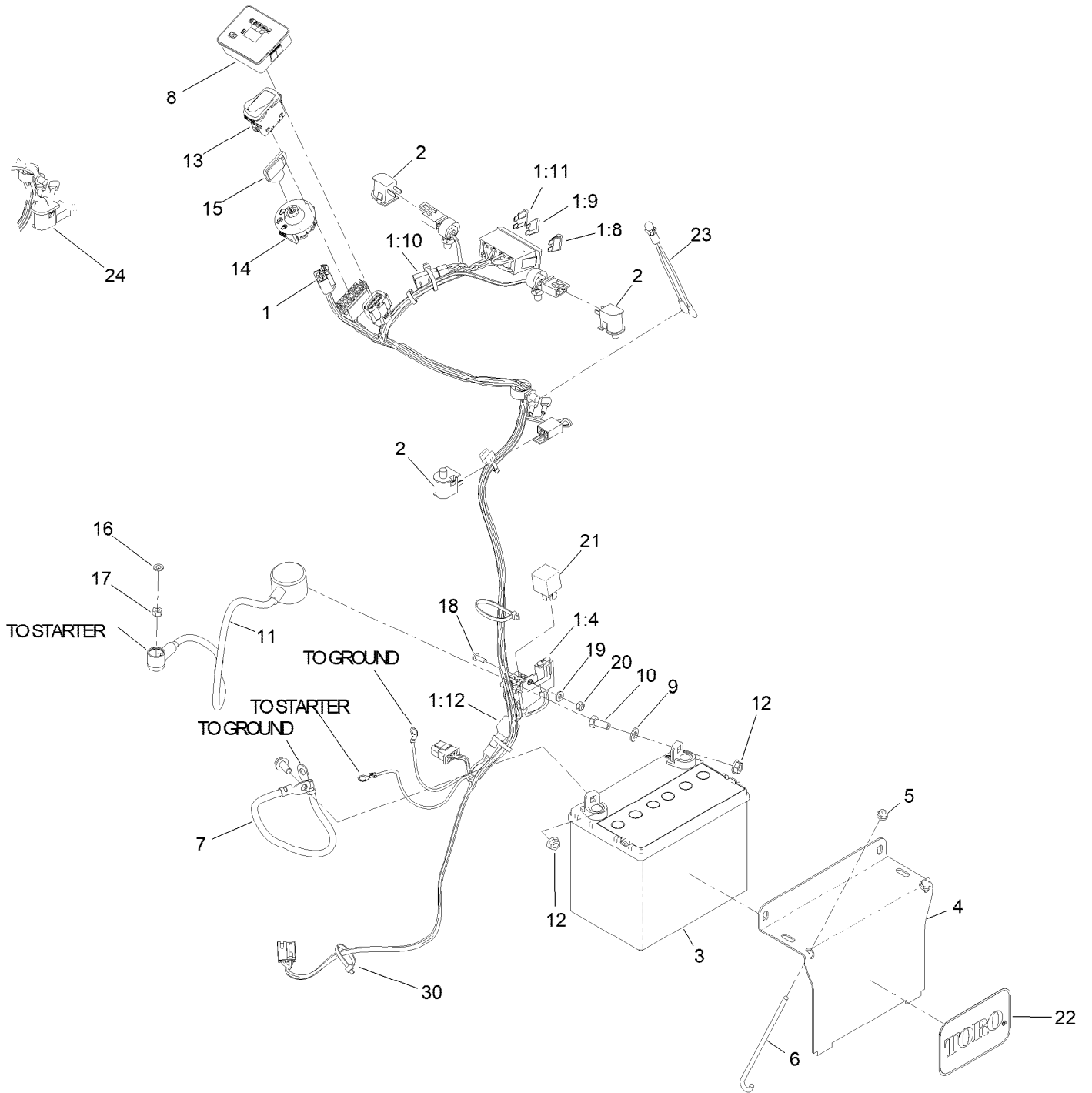
Fuel Tank Assembly



Fuel Tank Assembly (continued)

<i>Ref.</i>	<i>Part Number</i>	<i>Qty.</i>	<i>Description</i>	<i>Ref.</i>	<i>Part Number</i>	<i>Qty.</i>	<i>Description</i>
1	132-7560	1	Fuel Tank ASM	2	110-8255	1	Hose-Fuel
1:2	46-6560	2	Bushing	3	98-2952	1	Fitting-Straight
1:3	137-4127	1	Cap-Fuel	4	132-7576	1	Hose-Fuel
1:4	104-5228	1	Fitting-Elbow, 90 DEG	5	132-7545	1	Fuel Line ASM
1:5	145-6195	1	ASM, Tube-Fuel				

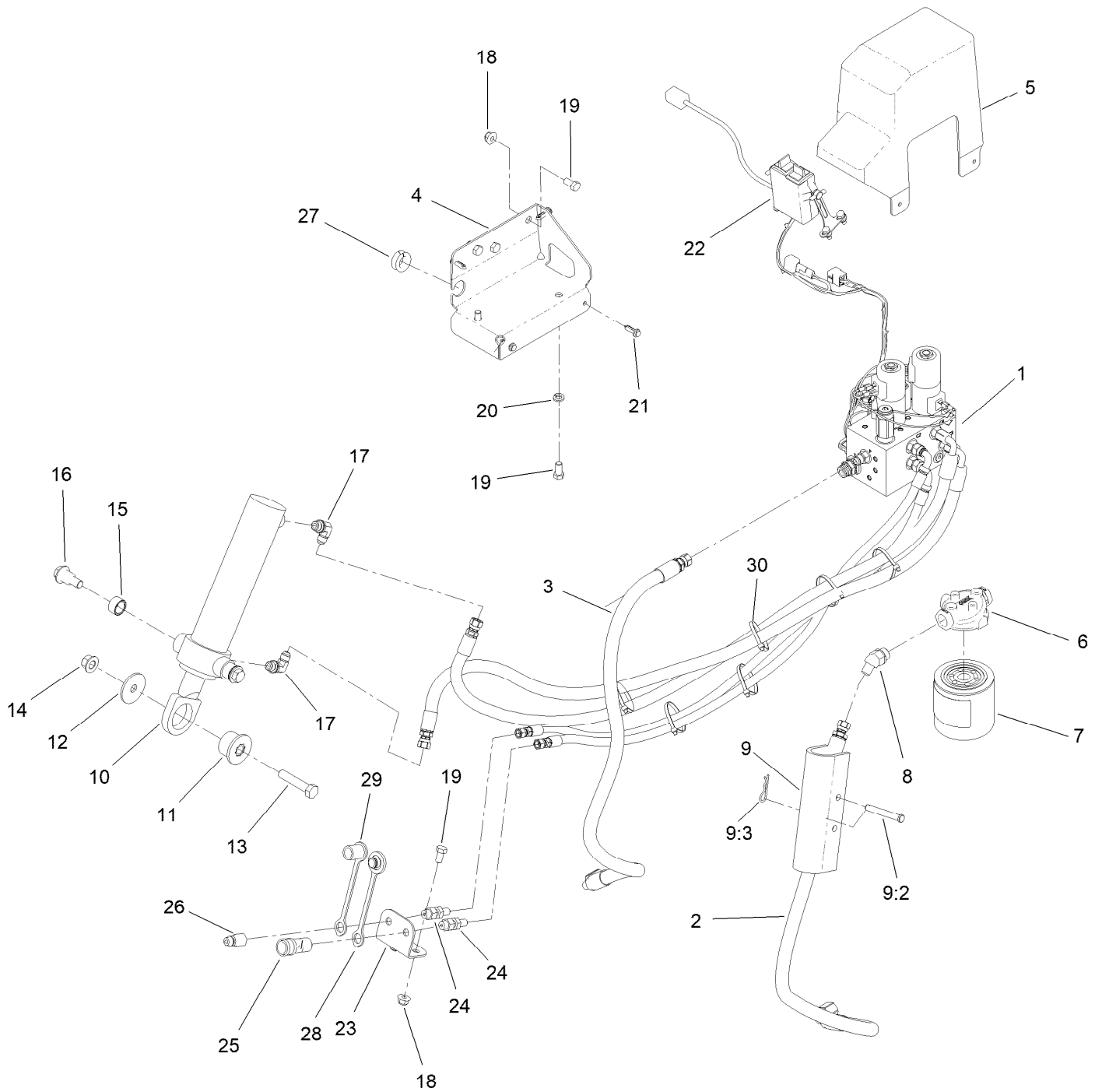
Electrical Assembly



Electrical Assembly (continued)

<i>Ref.</i>	<i>Part Number</i>	<i>Qty.</i>	<i>Description</i>	<i>Ref.</i>	<i>Part Number</i>	<i>Qty.</i>	<i>Description</i>
1	145-3551	1	Harness-Wire, Grandstand	11	115-3864	1	Cable-Battery, Positive
1:4	109101	1	Fuse-Blade, 20 Amp	12	109-5715	2	Nut-HHF, Smooth
1:8	109355	2	Fuse-Blade, 15 Amp	13	139-6367	1	Switch-Rocker, (On)-On-Off
1:9	218-578	1	Fuse-Blade, 10 Amp	14	137-4101	1	Switch-Ignition
1:10	116-0053	2	Cap-Plug	15	63-8360	1	Key-Ignition
1:11	110928	1	Fuse-Blade, 5 Amp	16	3253-3	1	Washer-Lock
1:12	103-3895	1	Diode	17	3217-5	1	Nut-Hex
2	82-2190	2	Switch-Bail	18	3290-500	1	Screw-PPH
3	104-8162	1	Battery	19	3256-14	1	Washer-Flat
4	130-6635-01	1	Bracket-Hold Down, Battery	20	3296-2	1	Nut-Lock, NI
5	104-7201	2	Nut-HF, NI	21	1-643275	1	Relay
6	1-633651	2	Bolt-Holddown	22	67-1300	1	Decal
7	112-7063	1	Cable-Battery, Black	23	1-643267	1	Indicator-LED, Red
8	140-1884	1	Module-Meter, Hour	24	133-4654	1	Switch-Plunger
9	3256-23	2	Washer-Plain	30	3290-378	2	Tie-Cable
10	322-3	2	Screw-HH				

Low Flow Hydraulics Assembly

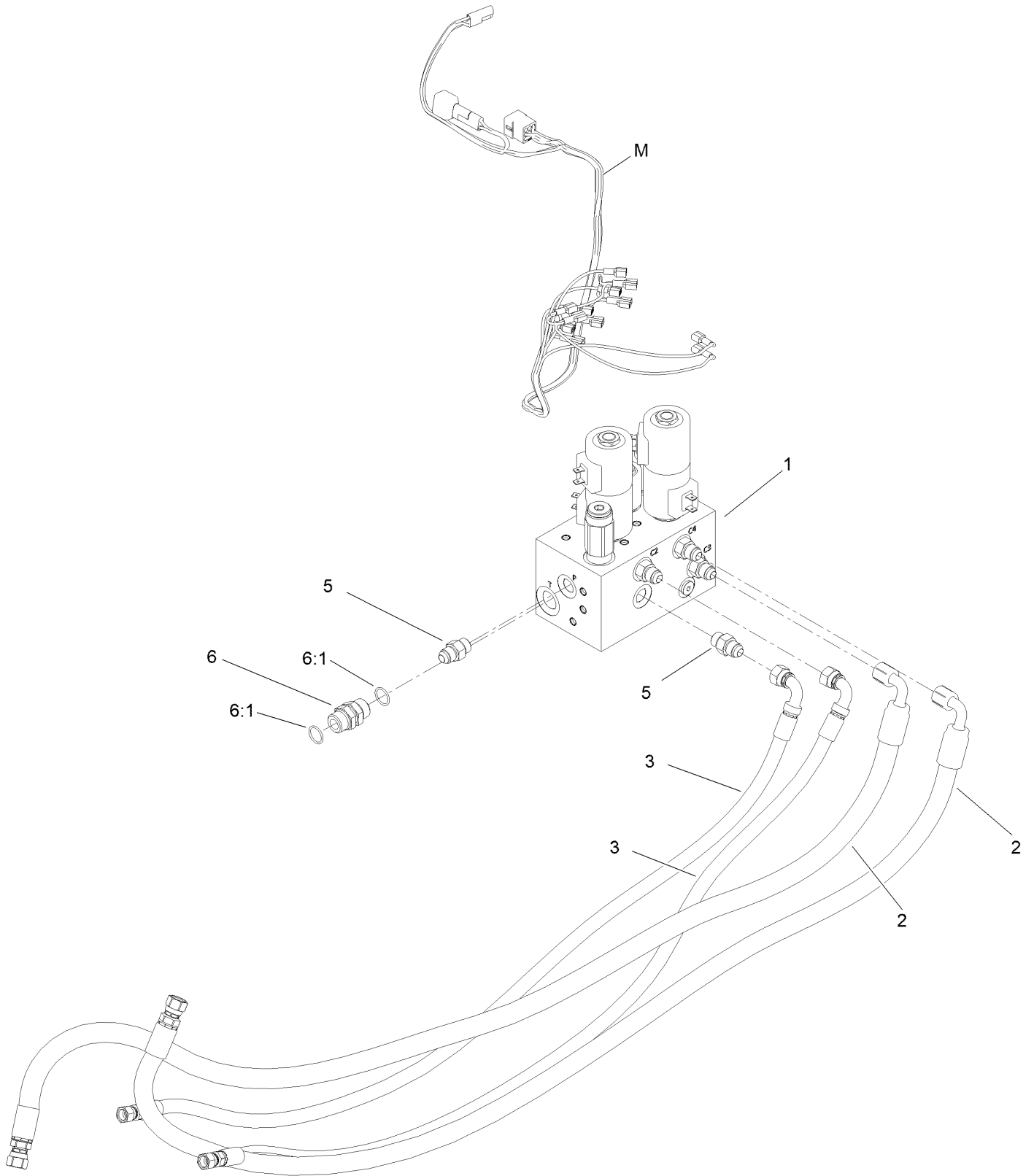


Low Flow Hydraulics Assembly (continued)

<i>Ref.</i>	<i>Part Number</i>	<i>Qty.</i>	<i>Description</i>	<i>Ref.</i>	<i>Part Number</i>	<i>Qty.</i>	<i>Description</i>
1		1	Low Flow Manifold ASM ●	15	HDW13948	2	Bushing,.75X.75
2	HYD13937	1	Hose,1/2FORF 90 Short X 3/8FJIC X 38	16	HDW13947	2	Bolt,Shoulder,Pivot
3	HYD13938	1	Hose,1/2FORF 90 Short X 3/8FJIC X 45	17	HYD13925	2	Fitting,90,6-MORB X 6-M37JIC
4	HYD13942-03	1	Bracket,HYD MAN,Grandstand	18	104-8301	5	Nut-HF, NI
5	HYD13941	1	Cover,Manifold,Grandstand	19	323-4	7	Screw-HH
6	HYD14087	1	Grandstand,Head,Filter,-08ORB	20	3253-21	2	Washer-Lock
7	HYD14155	1	Filter,Winter,Spin-On,Grandstand	21	HDW17303	4	Tuflok Rivet
8	HYD14086	1	Fitting, 45, 8-MORB X 6-M37JIC	22		1	Controler Kit, Mf Low Flow ●
9	137-4106	1	Lift Cylinder Lock Kit	23	HYD13943-03	1	Mounting Bracket,Bulkhead
9:2	283-52	1	Pin-Clevis	24	HYD13159	2	Fitting,Bulkhead,1/4MJIC X 1/4MNPT
9:3	3290-467	1	Pin-Hair	25	HYD13160	1	Fitting,Quick Connect,Female,1/4FNPT
10	HYD13944	1	Cylinder,Lift,2X8	26	HYD13161	1	Fitting,Quick Connect,Male,1/4FNPT
11	MSC13350	1	Bushing Assy,Lift Cylinder,Grandstand	27	TGS05834	1	Grommet,3/4ID X 1OD X 1/4Groove, TGS
12	55-7960	1	Washer-Large	28	353-984	1	Plug-Dust
13	325-10	1	Screw-HH	29	353-985	1	Cap-Dust
14	99-5107	1	Nut-Lock	30	3290-378	7	Tie-Cable

● Not serviced separately

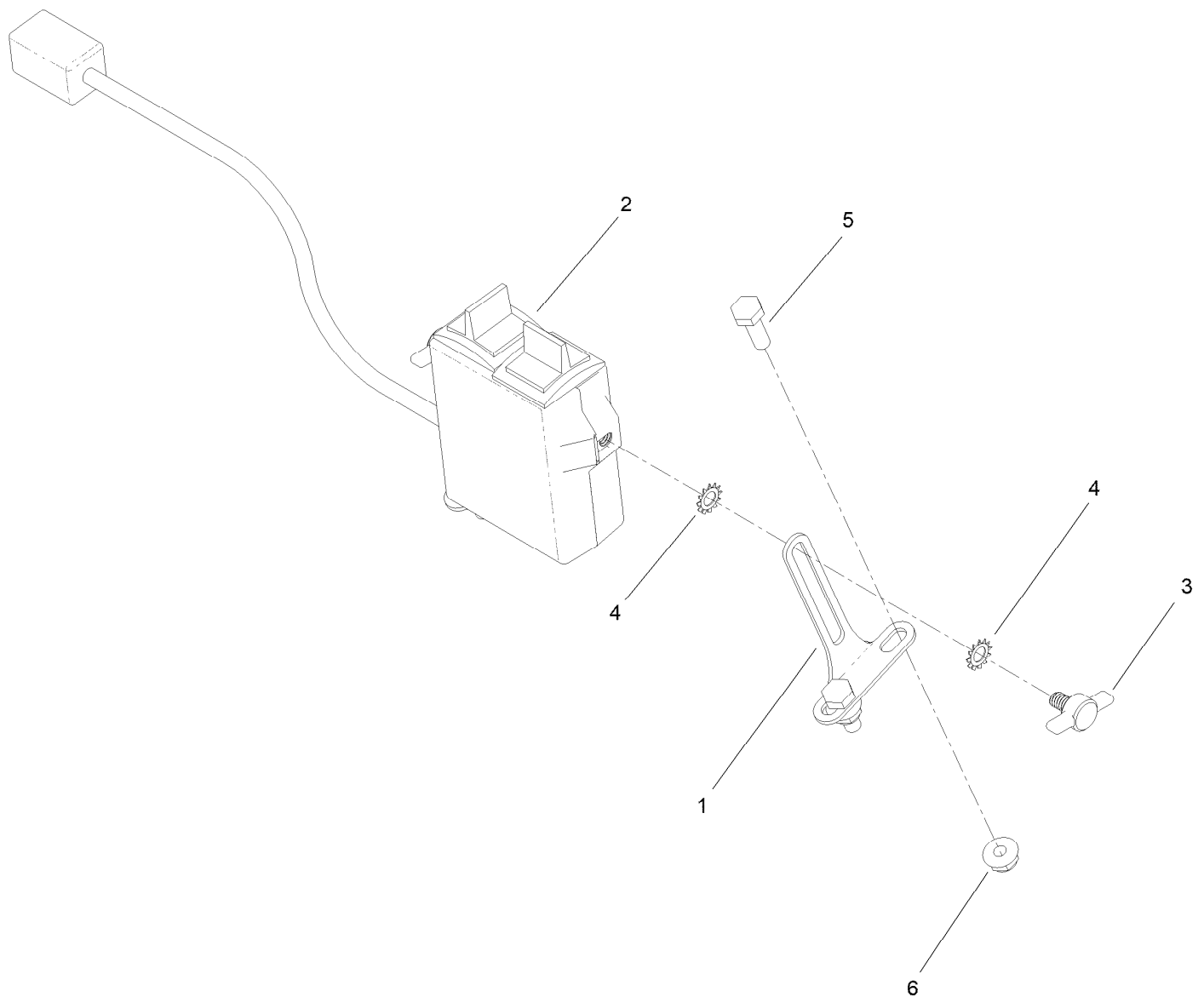
Low Flow Manifold Assembly



Low Flow Manifold Assembly (continued)

<i>Ref.</i>	<i>Part Number</i>	<i>Qty.</i>	<i>Description</i>	<i>Ref.</i>	<i>Part Number</i>	<i>Qty.</i>	<i>Description</i>
1	147-0211	1	Manifold, Gs Low Flow	5	HYD13932	5	Fitting-Straight
2	HYD13940	2	Hose,3/8FJIC X 3/8FJIC90 X 50	6	95-3209	1	Fitting-Thread, Straight
3	HYD13939	2	Hose,1/4FJIC X 3/8FJIC90 X 37	6:1	237-79	2	O-Ring
				M	MSC13819	1	Control Harness, Grandstand

Low Flow Controller Kit Assembly



Low Flow Controller Kit Assembly (continued)

<i>Ref.</i>	<i>Part Number</i>	<i>Qty.</i>	<i>Description</i>	<i>Ref.</i>	<i>Part Number</i>	<i>Qty.</i>	<i>Description</i>
1	MSC13707	2	Bracket,Lg,ATV/UTV CB	4	HDW13711	4	Star Washer 1/4,ATV CB
2	STB13903	1	Control,Switch Box,Grandstand	5	321-4	4	Screw-HH
3	HDW13714	2	Thumb Screw,1/4-20 X 7/16,ATV CB	6	104-7201	4	Nut-HF, NI

Attachments and Accessories

For 72530 GrandStand Multi Force Mower With 52in TURBO FORCE Cutting Unit and Low Flow Hydraulics

Product Name	Model/Part
Speed Setting Tool.....	132-7595
Light Kit.....	133-1437
Electric Accessory Port.....	133-1438
Quick-attach-male	136-0513
Hydraulic Cap Lock Kit.....	136-5420
Snow Tire Kit	140-4310
Twin Bagger Kit.....	78524
Pro Force Blower	78593
Grandstand Multi Force High-Flow Kit	78601
Aerator, 38in Multi Force.....	78694
Trash Bag Assembly.....	133-1435
HOC Set Blocks.....	133-1439
Strobe Light Kit	133-1495
Wheel Weight Kit	133-5386
Recycler Kit	139-6653
Grandstand Multi Force Broom.....	78596
Aerator Mount, Multi Force	78695
Grandstand Side Plow Kit.....	MSC13960
Harness Wire Splitter.....	121-5988
Trimmer Rack	133-1441
5 Gallon Bucket	133-2533
Broom Rubber Flap Kit	137-3920
Idler Kit, Blower Kit for GrandStand Multi Force Mower.....	139-1546
Blower Drive 52-in	78526
Dethatcher, 46in Multi Force	78690
Filter-Oil.....	98020
Spark Plug	130-8380
Multiforce EC Float Kit	136-8350
Pneumatic Castor Wheel Kit.....	140-4311
Grandstand Multi Force Mulch Force.....	78597
Dethatcher Mount	78691
Roller Striper Kit.....	133-1436
18x8.5n10 X-Tweel Turf.....	139-7890
Soft Bag (3 Bushel).....	30104
Leaf Plow Without Mount.....	78697
Urethane Edge Kit	STB13801
Plug-Quick Connect.....	T56152150
Air Cleaner Filter.....	100-4556
Turbo Baffle Kit	107-1634
Leaf Plow Mount Only, Multi-force	78698
Blade Extension Kit,6in,stb	MSC13850B
Cap-Connect, Quick	T56152152
Filter Air Safety	103-1326
48-in Snowthrower, Multi-force	78598
Case Drain Kit.....	136-7436

Attachments and Accessories (continued)

Bagger Enhancement Kit.....	139-1529
Lift Cylinder Lock Kit	137-4106
6in Hose Kit, E-Z Vac Twin Bagger, 2016 and After Grandstand Mower	139-7930
Blower Upgrade Kit, Twin Bagger, 2016 and After Grandstand Mower.....	139-7940
Straight Blade, ATV Plow Shoe Kit.....	MSC13040
Fuel Filter.....	130-8381
Kit-snow Deflector, Htx	MSC04587C
Kit-Grandstand, Filter, Winter	HYD14084
Kit-plow Side,4'0"stb,grandstand.....	MSC14780
Blade Crate (snowplow),4-0,atv Poly S.....	STB13759B
6 Pack-Blade, 18.00 Low Flow	140-4884
Blade-18.00 Low Flow	140-4857
6 Pack-Blade, 18.00 Med Flow	140-4883
Blade-18.00 Medium Flow	140-4856
6 Pack-Blade, 18.00 High Flow.....	140-4882
6 Pack-blade, 18.00 High Flow	147-6255
Blade-18.00 High Flow	140-1242
Blade-18.00 High Flow	147-6251
6 Pack-Blade, 18.00 Recycler.....	140-4886
Blade-18.00 Recycler	140-4859
6 Pack-Blade, 18.00 Atomic.....	140-4885
Blade-18.00 Atomic	140-4858
Anti-Scalp Kit, 48/52 Grandstand Deck.....	133-1440
Blade Crate (Snowplow), ATV Poly S	STB13567B
Hypr-Oil 500 (quart)	114-4713
Hypr-Oil 500 (gallon).....	114-4714
Hypr-Oil 500-5 (5 gallon).....	114-4715
Toro Premium Fuel Treatment 12oz Bottle.....	131-6572
Hydro Oil Change Kit	133-1457
2 Transmission Filter Kit	144-3842
10W30 4-Cycle Engine Oil (32oz Bottle).....	38280
Toro 4-Cycle SAE 30 Oil (32oz Bottle)	38903
Spark Arrestor	98-9099

Notes:

Notes:



Count on it.