



Count on it.

Parts Catalog

Sand Pro® 5040

Traction Unit

Model No. 08745—Serial No. 409800000 and Up



Ordering Replacement Parts

To order replacement parts, please supply the part number, the quantity, and the description of each part desired.

Understanding Reference Numbers

Each identified part in an illustration has a reference number. The reference number for a part also appears in the parts list, along with other information about the part.

This catalog uses two special reference number formats, one to indicate parts in a service assembly and another to indicate the quantity of a given part in an illustration.

Service Assembly Reference Numbers

Parts in service assemblies have reference numbers in the form a:b. The a represents the reference number of the entire service assembly and the b represents a sequential number unique to each part within the service assembly.

For example, a wheel assembly might be identified by reference number 6, the tire by 6:1, the valve by 6:2, and the wheel by 6:3. When you order the assembly identified by reference number 6, you receive all parts identified by reference numbers 6:1, 6:2, and 6:3. However, you may also order any part individually. Reference numbers of this type appear in illustration and in parts lists.

Reference Numbers Indicating Quantity

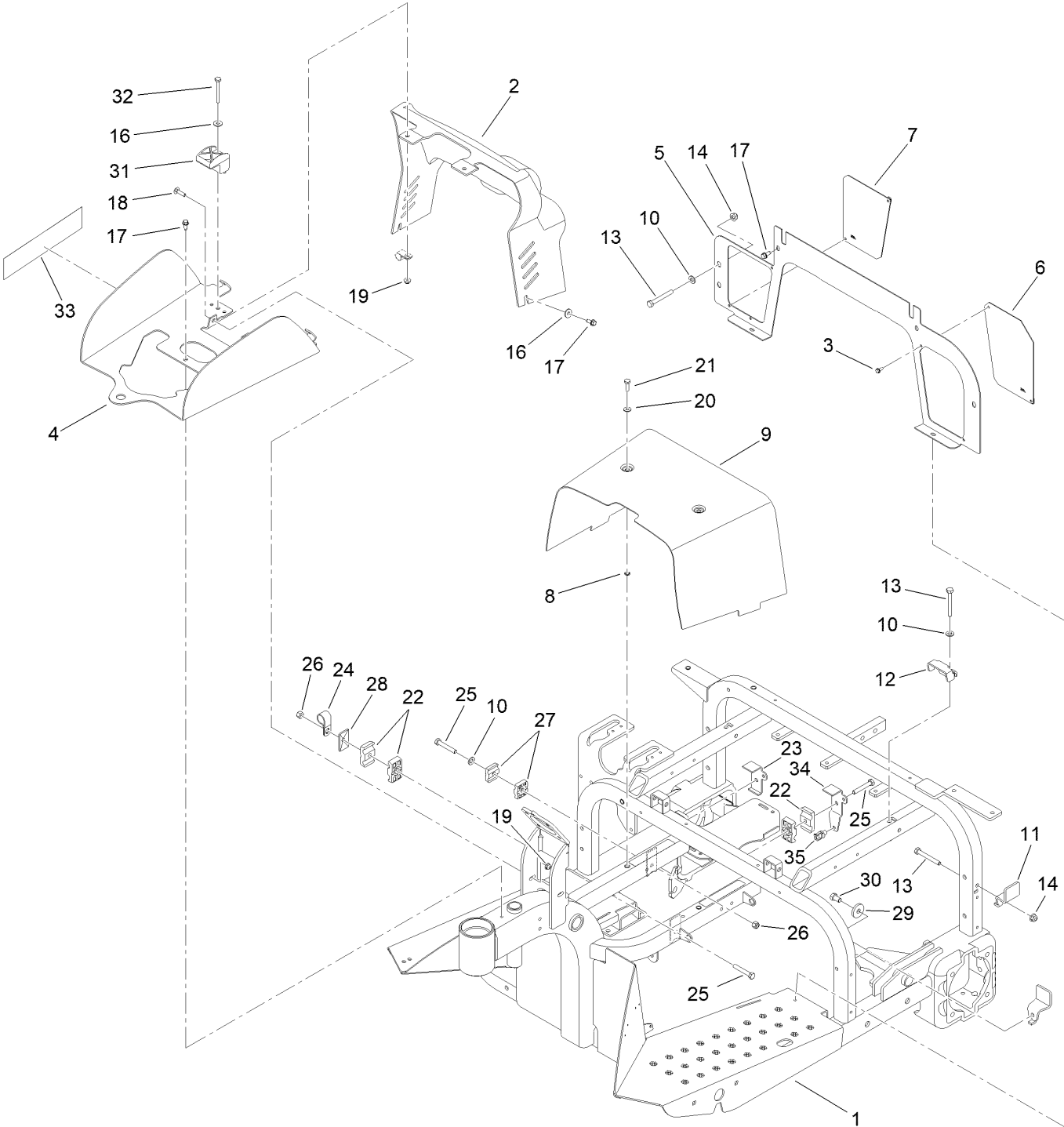
In an illustration, if a reference number indicates more than one part, the reference number has the form nX y. The n represents the quantity of the part, the X is the multiplication symbol, and the y represents the reference number.

For example, in an illustration, the reference number 2X 37 means that two of the parts identified by reference number 37 are indicated.

Contents

Frame and Shroud Assembly	4
Frame Assembly No. 140-0295SP	6
Body and Seat Assembly	8
Seat Assembly No. 144-1350	10
Fuel System Assembly	12
Hydraulic Pump, Tank and Cooler Assembly	14
Variable Piston Pump Assembly No. 138-9132	16
Traction Control Assembly	18
Rear Lift and Lift Circuit Assembly	20
Hydraulic Lift Cylinder Assembly No. 115-5647	22
Hydraulic Valve Assembly No. 121-9070	24
Lift Hydraulic Routing Assembly	26
Rear Wheel Assembly	28
Hydraulic Motor Assembly No. 108-2947	30
Hydraulic Motor Assembly No. 108-2949	32
Front Wheel Assembly	34
Hydraulic Motor Assembly No. 108-2948	36
Steering Assembly	38
Steering Hydraulics Assembly	40
Hydraulic Cylinder Assembly No. 114-0620	42
Hydraulic Steering Pump No. 138-9133	44
Engine Installation Assembly	46
Air Cleaner Assembly No. 93-2190	48
Electrical and Console Assembly	50
Attachments and Accessories	52

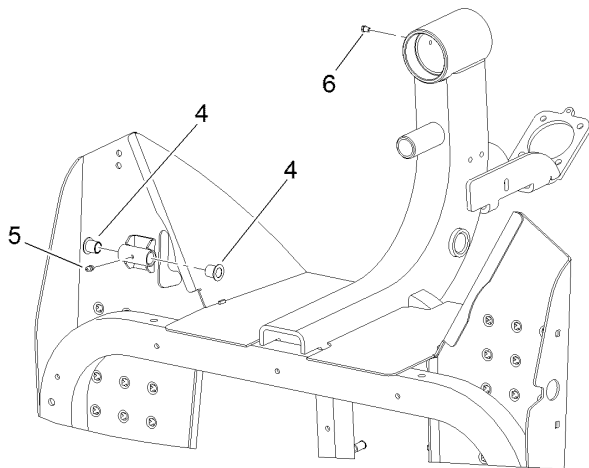
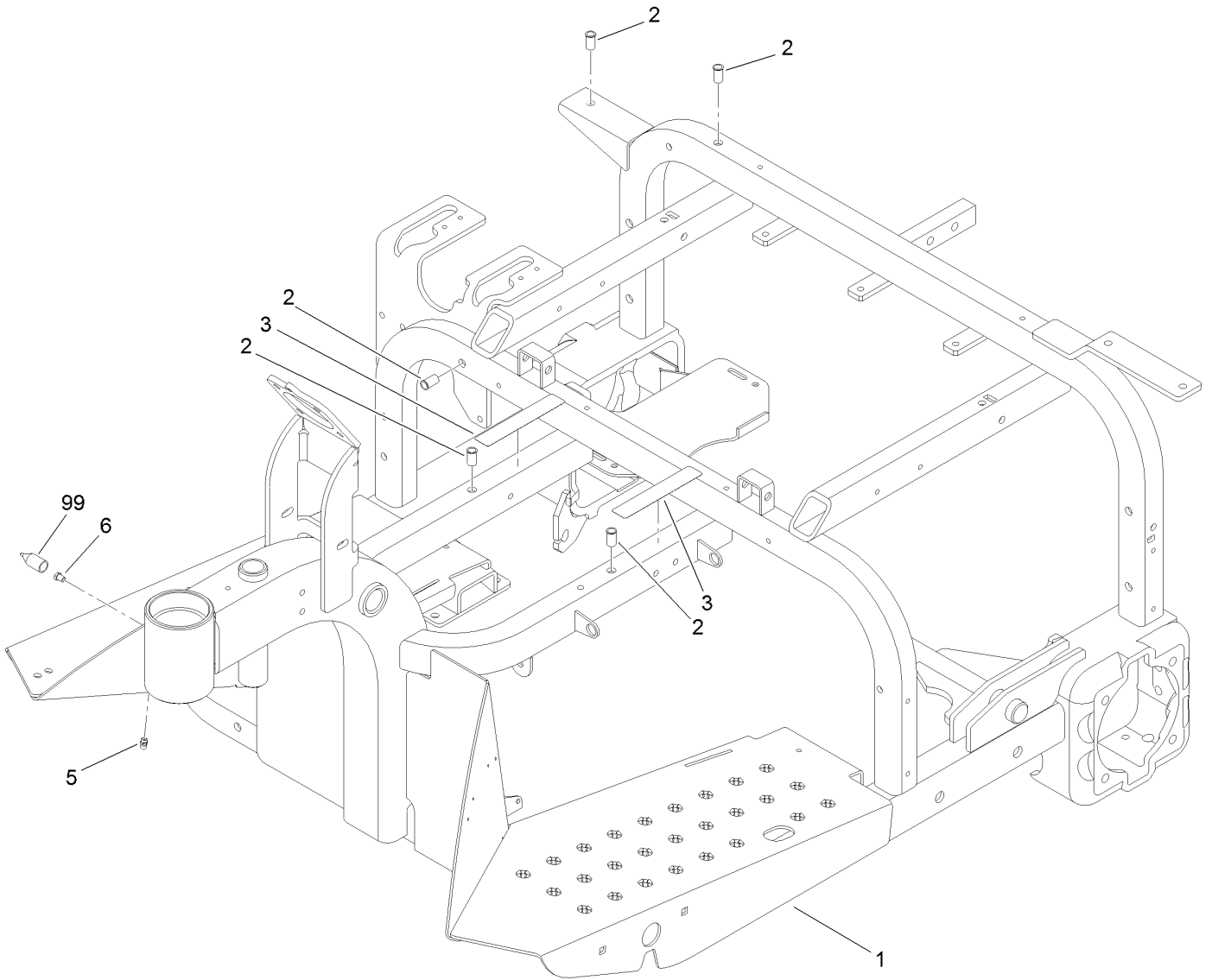
Frame and Shroud Assembly



Frame and Shroud Assembly (continued)

<i>Ref.</i>	<i>Part Number</i>	<i>Qty.</i>	<i>Description</i>	<i>Ref.</i>	<i>Part Number</i>	<i>Qty.</i>	<i>Description</i>
1	140-0295SP	1	Frame ASM	19	104-7201	4	Nut-HF, NI
2	108-6898	1	Shroud-Dash	20	3256-1	2	Washer-Flat
3	3290-321	4	Screw-HWH	21	321-5	2	Screw-HH
4	108-6895-01	1	Bracket-Mount, Tank	22	56-7976	6	Clamp-Tube
5	112-1443-01	1	Panel-Front	23	110-1333	1	Bracket-Clamp
6	120-3491-01	1	Screen-Panel, LH	24	2412-4	1	Clamp-R
7	120-3492-01	1	Screen-Panel, RH	25	322-10	4	Screw-HH
8	32115-15	2	Nut-Push	26	3296-29	4	Nut-Lock, NI
9	108-6859-01	1	Shroud-Center	27	56-7973	2	Clamp-Tube
10	3256-23	6	Washer-Plain	28	69-9760	1	Plate-Cover
11	108-7965	2	Clamp-Tank, HYD	29	53-6380	1	Washer-Flat
12	108-7903	1	Clamp-Tank	30	323-34	1	Screw-HH
13	322-12	5	Screw-HH	31	107-4543	2	Clamp
14	104-8300	5	Nut-HF, NI	32	321-18	2	Screw-HH
16	3256-78	4	Washer-Flat	33	108-8419	2	Decal
17	32144-10	7	Screw-HWH	34	110-1332	1	Bracket-Clamp
18	3229-2	2	Screw-CARR	35	32180-030	1	Clip-Tie

Frame Assembly No. 140-0295SP

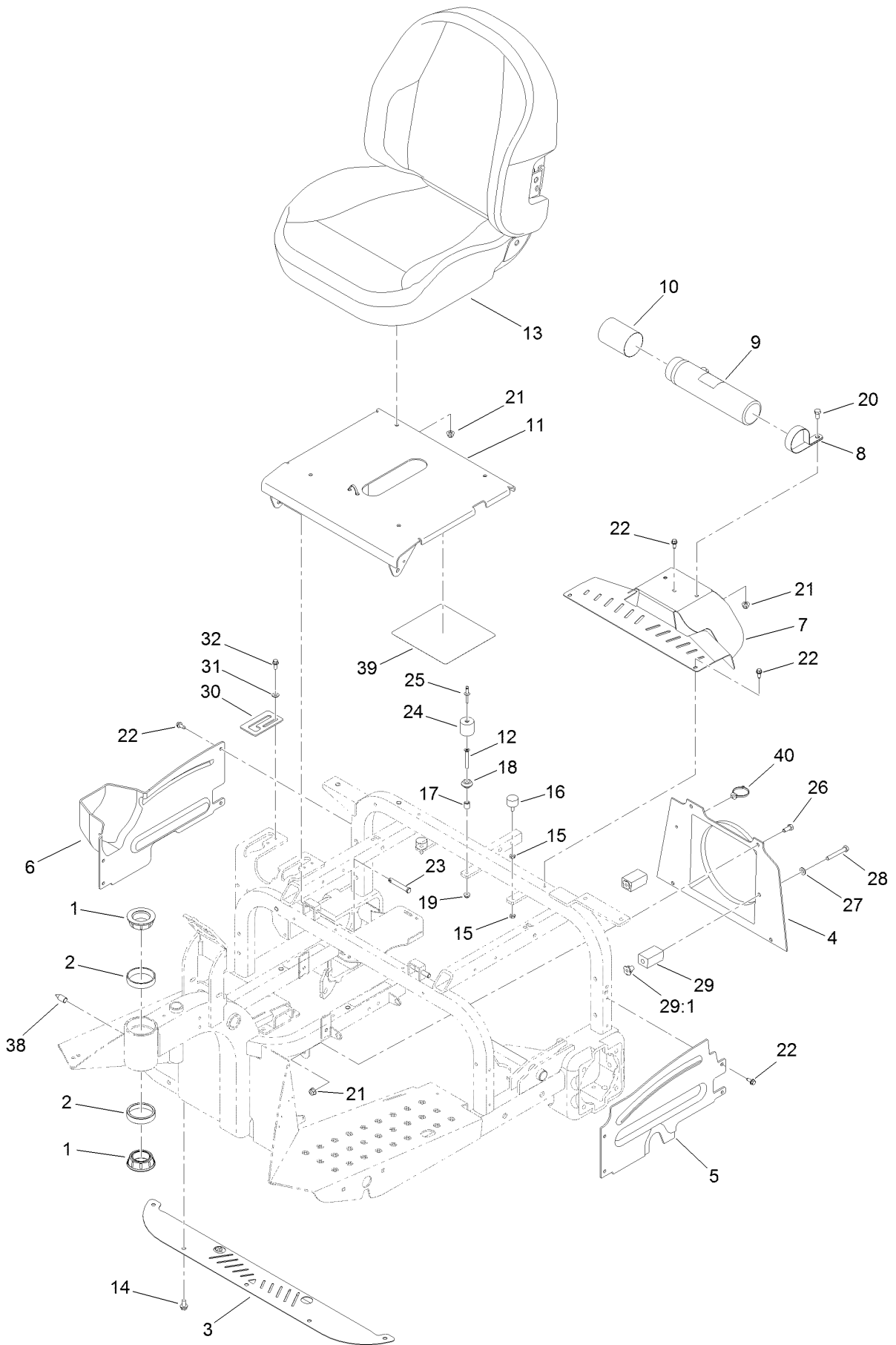


Frame Assembly No. 140-0295SP (continued)

<i>Ref.</i>	<i>Part Number</i>	<i>Qty.</i>	<i>Description</i>	<i>Ref.</i>	<i>Part Number</i>	<i>Qty.</i>	<i>Description</i>
1		1	Frame ASM ●	5	302-58	1	Fitting-Straight
2	32148-11	5	Nut-Clinch	6	107-1997	1	Fitting-Grease
3	93-7272	2	Decal-Warning	99	107-1998	1	Nozzle-Grease
4	256-219	2	Bushing				

● Not serviced separately

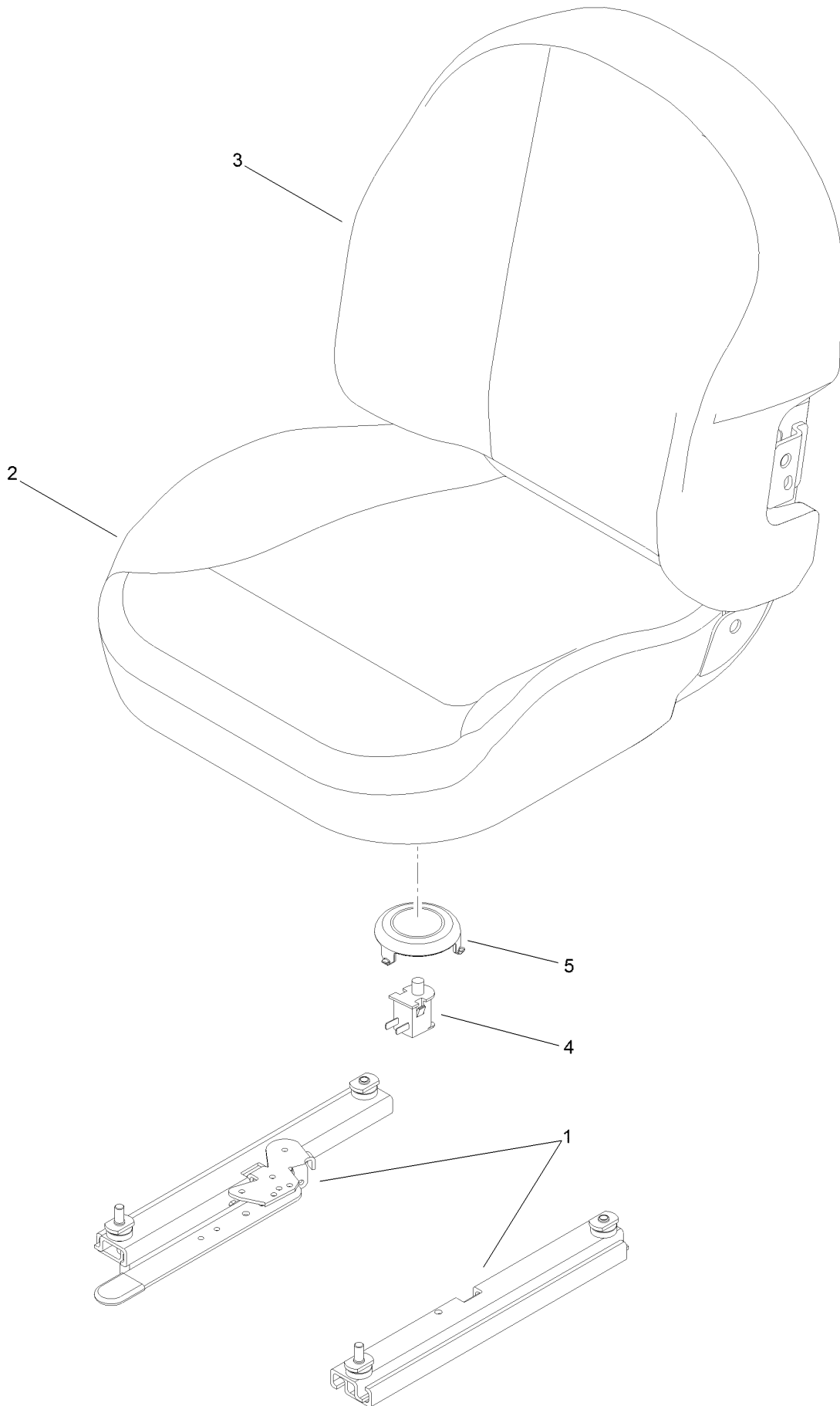
Body and Seat Assembly



Body and Seat Assembly (continued)

<i>Ref.</i>	<i>Part Number</i>	<i>Qty.</i>	<i>Description</i>	<i>Ref.</i>	<i>Part Number</i>	<i>Qty.</i>	<i>Description</i>
1	107-7590	2	Cup-Bearing	19	104-7201	1	Nut-HF, NI
2	107-7589	2	Cone-Bearing (W/ Seal)	20	322-2	2	Screw-HH
3	140-0262-0P	1	Panel-Cooler	21	104-8300	10	Nut-HF, NI
4	140-0263	1	Shroud-Fan	22	32144-10	11	Screw-HWH
5	108-6856	1	Shroud-Wheel, LH	23	112-7153	2	Pin
6	108-6855	1	Shroud-Wheel, RH	24	99-7830	1	Receptical-Rubber
7	121-9081-01	1	Cover-Rear	25	3290-412	1	Rivet-Blind
8	2412-133	2	Clamp-R	26	322-3	4	Screw-HH
9	104-7050	1	Tube-Manual	27	3256-23	2	Washer-Plain
10	104-7048	1	Cap-Housing	28	322-11	2	Screw-HH
11	144-1375	1	Base-Seat	29	85-9550	2	Rubber Clamp ASM
12	363-1571	1	Screw-PFH	29:1	85-9670	1	Nut-T
13	144-1350	1	Seat ASM	30	108-7941	1	Plate-Guide, Lever
14	32144-14	5	Screw-HWHTF	31	3256-1	2	Washer-Flat
15	3218-1	4	Nut-Jam	32	3234-33	2	Screw-HHF
16	1-523420	2	Bumper	38	107-1998	1	Nozzle-Grease
17	609588	1	Spacer	39	138-9101	1	Decal-Service
18	99-7833	1	Post-Holding	40	32180-088	1	Clip-Fir Tree W/Tie

Seat Assembly No. 144-1350

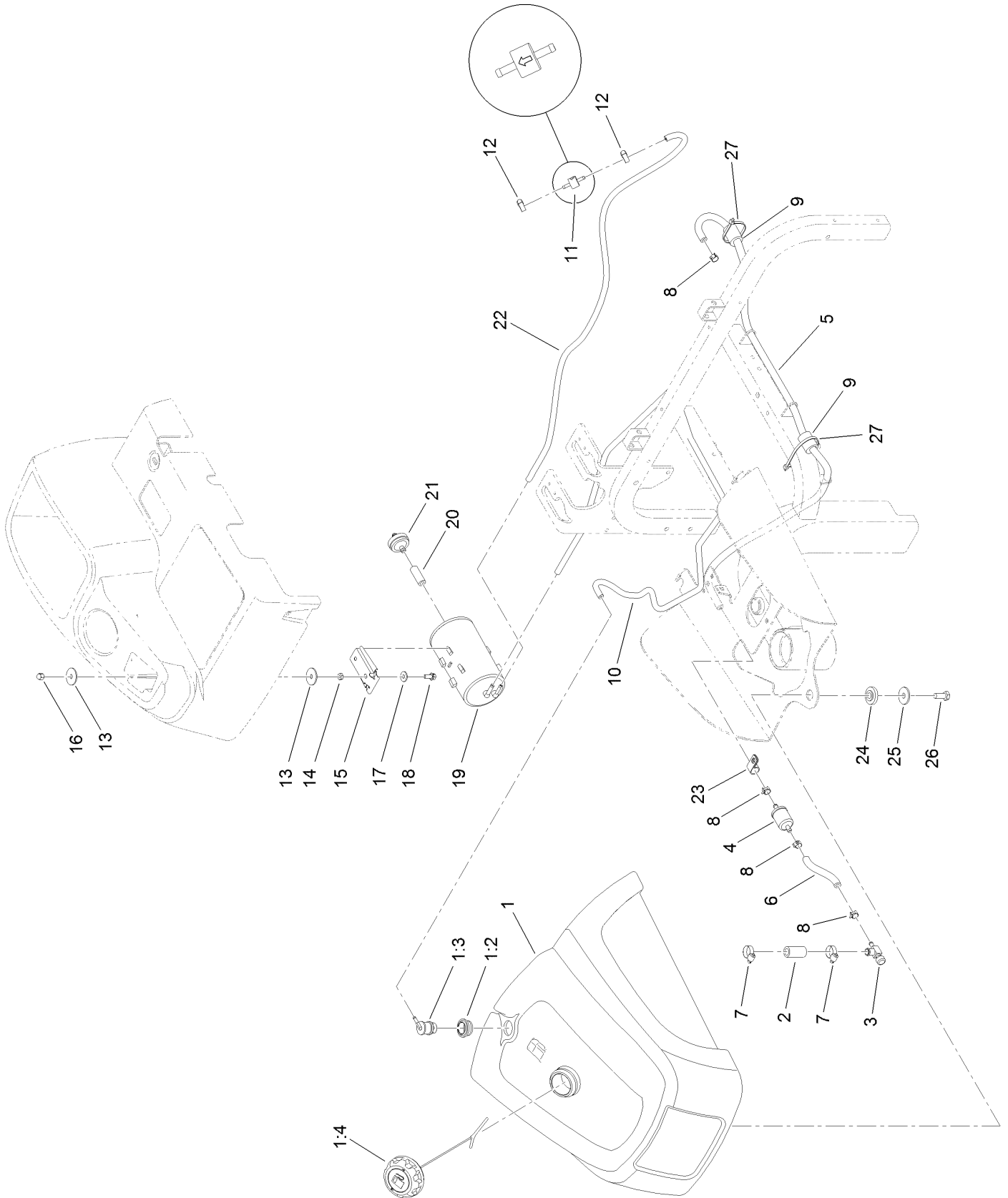


Seat Assembly No. 144-1350 (continued)

<i>Ref.</i>	<i>Part Number</i>	<i>Qty.</i>	<i>Description</i>
1	144-7068	1	Track ASM
2	144-7069	1	Cushion Cover
3	144-7070	1	Back Cover

<i>Ref.</i>	<i>Part Number</i>	<i>Qty.</i>	<i>Description</i>
4	82-2190	1	Switch-Bail
5	140-3468	1	Cap-Switch, Actuator

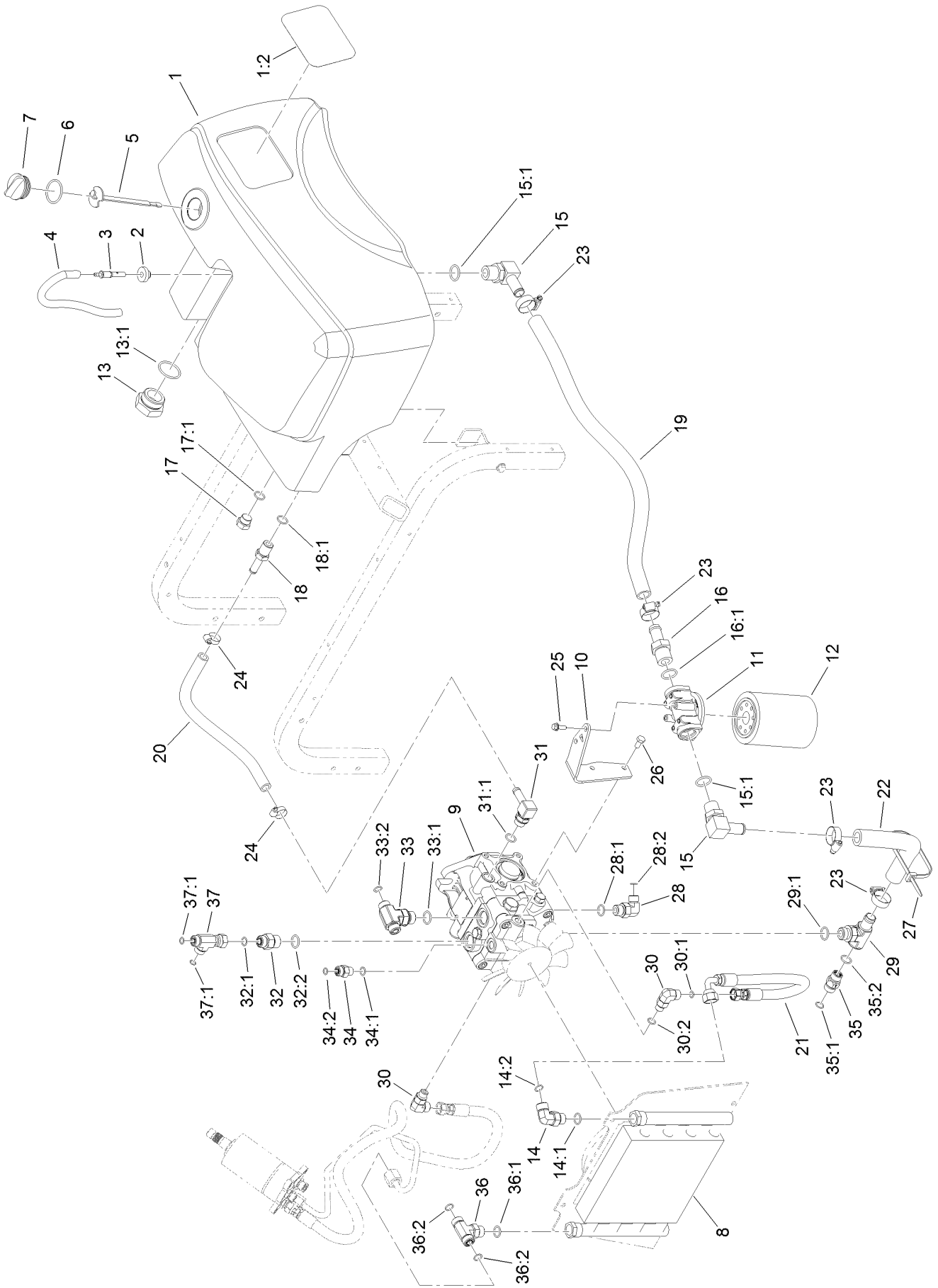
Fuel System Assembly



Fuel System Assembly (continued)

<i>Ref.</i>	<i>Part Number</i>	<i>Qty.</i>	<i>Description</i>	<i>Ref.</i>	<i>Part Number</i>	<i>Qty.</i>	<i>Description</i>
1	144-1369	1	Fuel Tank ASM	13	3256-57	2	Washer-Flat
1:2	114-0284	1	Grommet	14	3218-1	1	Nut-Jam
1:3	114-0285	1	Valve-Rollover	15	114-0292	1	Bracket-Canister, Carbon
1:4	126-1789	1	Cap-Fuel, Ratcheting	16	32111-7	1	Nut-Cap
2	110-3371	1	Hose-Fuel	17	3256-78	1	Washer-Flat
3	83-1390	1	Valve-Shut-Off, Fuel	18	3234-33	1	Screw-HHF
4	94-2690	1	Filter-Fuel	19	127-8685	1	Canister-Carbon
5	110-3372	1	Hose-Fuel	20	106-5317	1	Hose-Fuel
6	109-0660	1	Hose-Fuel	21	115-7854	1	Filter-Fuel, Inline
7	2412-36	2	Clamp-Hose	22	117-9569	1	Hose-Fuel
8	2412-98	4	Clamp-Hose	23	92-6064	1	Clamp-R
9	38-3400	2	Guard-Rubber	24	240-11	1	Bushing-Flange
10	117-9568	1	Hose-Fuel	25	63-8410	1	Washer
11	133-8499	1	Valve-Check, Vacuum	26	323-5	1	Screw-HH
12	2412-108	2	Clamp-Worm	27	3290-379	1	Tie-Cable

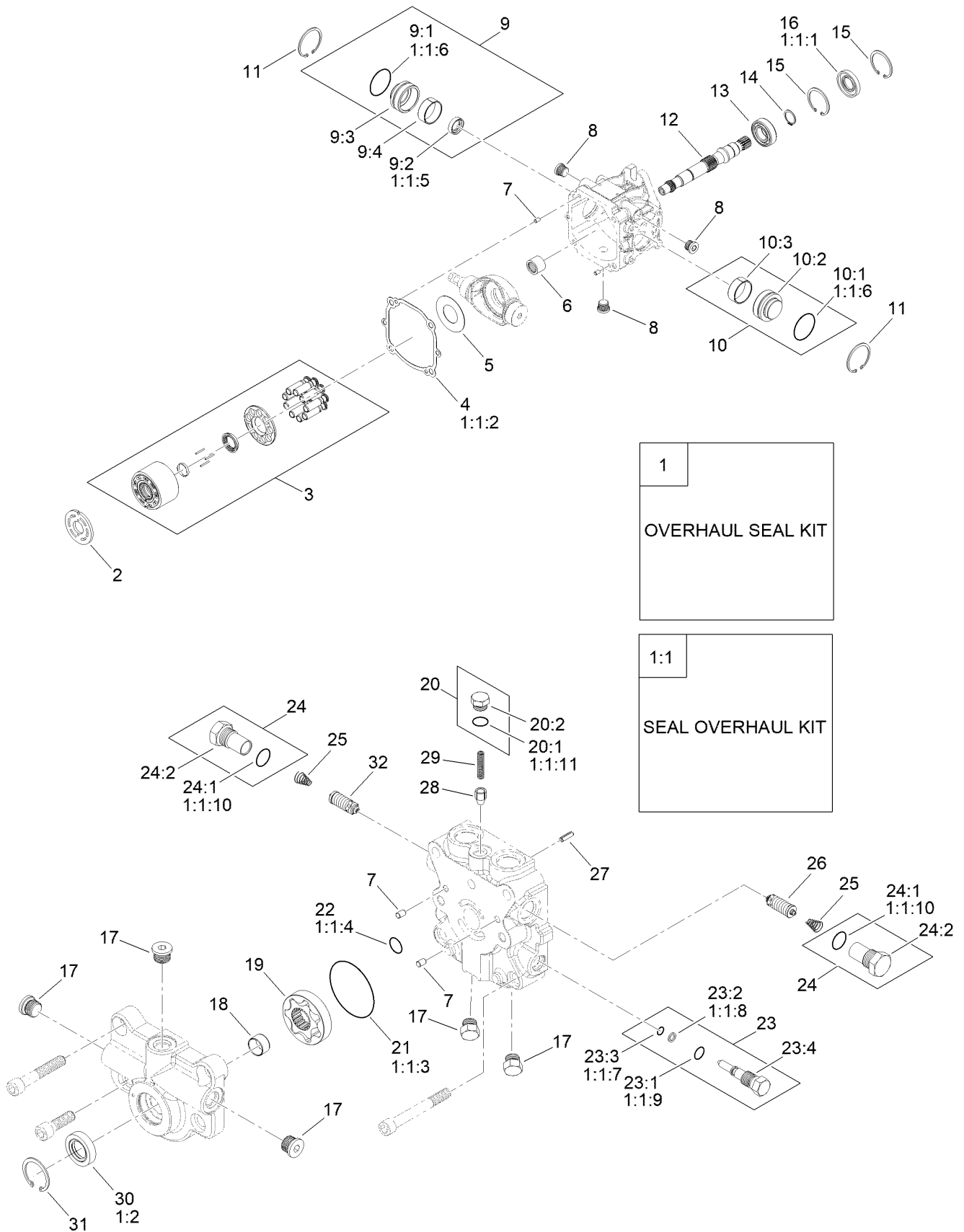
Hydraulic Pump, Tank and Cooler Assembly



Hydraulic Pump, Tank and Cooler Assembly (continued)

<i>Ref.</i>	<i>Part Number</i>	<i>Qty.</i>	<i>Description</i>	<i>Ref.</i>	<i>Part Number</i>	<i>Qty.</i>	<i>Description</i>
1	140-0319	1	HYD Tank W/Decal	25	3234-4	2	Screw-HHF
1:2	108-8452	1	Decal-Logo	26	33114-016	2	Screw-HH
2	46-6560	1	Bushing	27	3290-378	5	Tie-Cable
3	110-1372	1	Fitting-Vent, Tank	28	340-18	1	Fitting-HYD, 90 DEG
4	75-4704	1	Hose-Fuel	28:1	237-79	1	O-Ring
5	110-8162	1	Dipstick	28:2	237-22	1	O-Ring
6	237-101	1	O-Ring	29	140-0344	1	Fitting-Tee
7	93-7498	1	Plug-Plastic	29:1	237-80	1	O-Ring
8	108-8457	1	Cooler-Oil	30	340-77	2	Fitting-Elbow, 90 DEG
9	138-9132	1	Pump-Piston, Variable	30:1	237-22	1	O-Ring
10	140-0345	1	Bracket-Filter, Mount	30:2	237-42	1	O-Ring
11	68-8990	1	Head-Filter	31	108-5316	1	Fitting-Elbow, 90 DEG
12	54-0110	1	Filter-Oil, Transmission	31:1	237-79	1	O-Ring
13	108-8468	1	Plug-HH	32	340-6	1	Fitting-Straight
13:1	237-101	1	O-Ring	32:1	237-30	1	O-Ring
14	340-98	1	Fitting-Elbow, 90 DEG	32:2	237-80	1	O-Ring
14:1	237-79	1	O-Ring	33	130-8775	1	Fitting-HYD
14:2	237-30	1	O-Ring	33:1	237-80	1	O-Ring
15	353-987	2	Fitting-Elbow, 90	33:2	237-30	2	O-Ring
15:1	237-81	1	O-Ring	34	100-7210	1	Check Valve
16	354-73	1	Fitting	34:1	237-42	1	O-Ring
16:1	237-81	1	O-Ring	34:2	237-22	1	O-Ring
17	353-550	1	Plug-HYD, HH	35	140-0335	1	Fitting-Check
17:1	237-79	1	O-Ring	35:1	237-30	1	O-Ring
18	354-121	1	Fitting-STR	35:2	237-79	1	O-Ring
18:1	237-79	1	O-Ring	36	340-157	1	Fitting-HYD, Tee
19	140-0328	1	Hose - HYD, LP	36:1	237-79	1	O-Ring
20	140-0265	1	Hose-Return	36:2	237-30	2	O-Ring
21	121-1583	1	Hose-HYD	37	340-115	1	Fitting-Tee
22	140-0264	1	Hose-Suction	37:1	237-22	2	O-Ring
23	2412-129	4	Clamp-Hose				
24	2412-36	2	Clamp-Hose				

Variable Piston Pump Assembly No. 138-9132

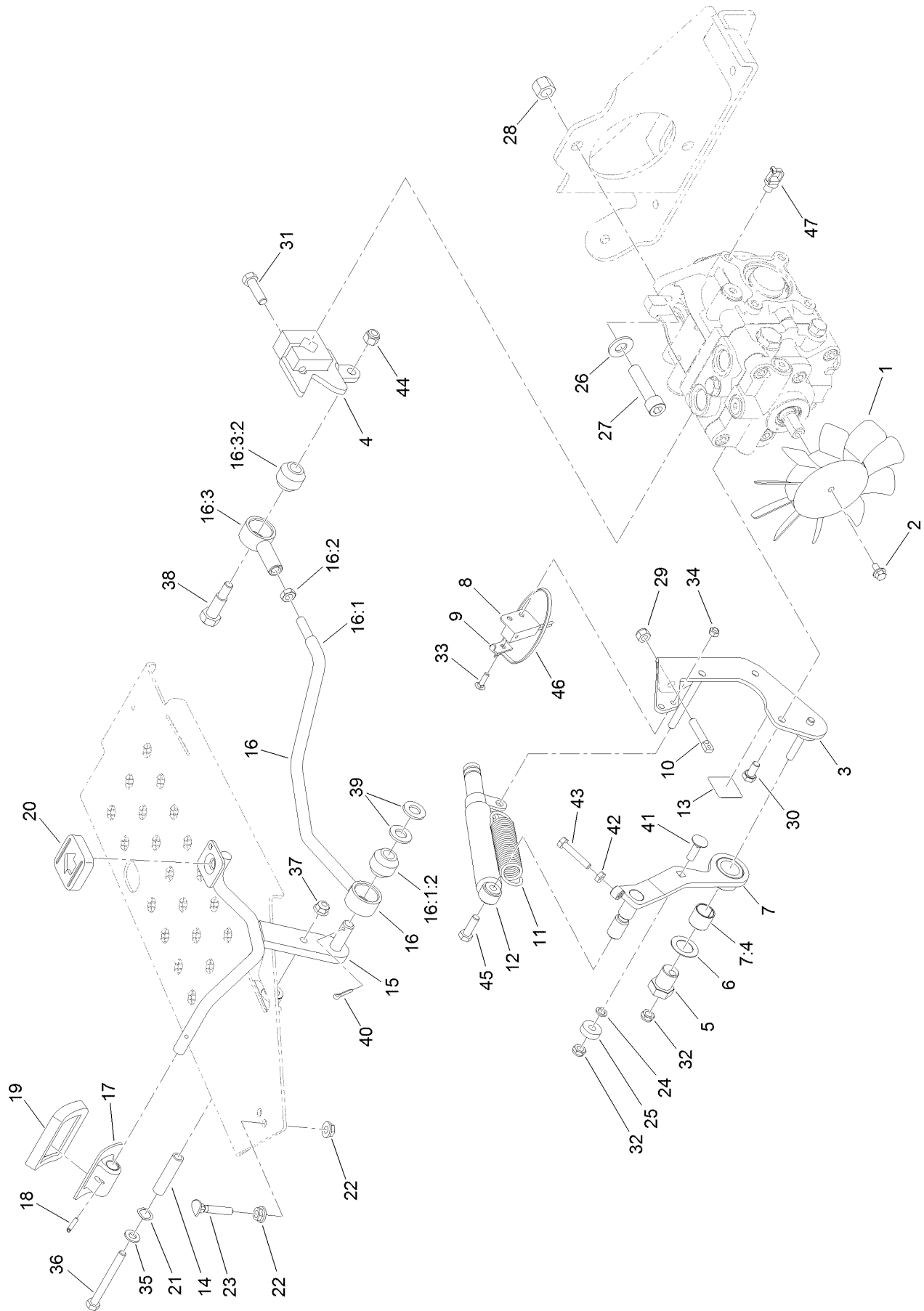


Variable Piston Pump Assembly No. 138-9132 (continued)

<i>Ref.</i>	<i>Part Number</i>	<i>Qty.</i>	<i>Description</i>	<i>Ref.</i>	<i>Part Number</i>	<i>Qty.</i>	<i>Description</i>
1	144-1389	1	Overhaul Seal Kit	11	136-1020	2	Ring-Retaining
1:1	136-1010	1	Seal Overhaul Kit	12	144-1390	1	Shaft
1:1:1	136-1021	1	Seal-Lip, Shaft	13	136-1017	1	Bearing-Ball
1:1:2	136-1023	1	Gasket-Cap, End	14	136-1018	1	Ring-Retaining
1:1:3	136-1031	1	O-Ring	15	136-1019	2	Ring-Retaining
1:1:4	136-1032	1	O-Ring	16	136-1021	1	Seal-Lip, Shaft
1:1:5		1	Seal-Lip, Journal Bearing ●	17	136-1027	5	Plug ASM
1:1:6		2	O-Ring, Journal Bearing ●	18	136-1030	1	Bearing-Journal
1:1:7		1	O Ring-Valve, Bypass ●	19	136-1029	1	Gerotor ASM
1:1:8		1	Ring-Back Up ●	20	136-1028	1	Plug ASM
1:1:9		1	O Ring-Valve, Bypass ●	20:1		1	O-Ring ●
1:1:10		2	O Ring-Plug ●	20:2		1	Plug ●
1:1:11		1	O Ring-Plug ●	21	136-1031	1	O-Ring
1:2	144-1385	1	Seal-Lip	22	136-1032	1	O-Ring
2	144-1384	1	Plate-Valve, CCW	23	136-1037	1	Bypass Valve ASM
3	136-1011	1	Cylinder Block Kit	23:1		1	O-Ring ●
4	136-1023	1	Gasket-Cap, End	23:2		1	Back Up Ring ●
5	136-1013	1	Plate-Thrust	23:3		1	O-Ring ●
6	136-1022	1	Bearing-Needle	23:4		1	Plug ●
7	136-1024	4	Pin	24	136-1025	2	Plug ASM
8	74-9450	3	Plug	24:1		1	O-Ring ●
9	136-1014	1	Journal Bearing Carrier ASM	24:2		1	Plug ●
9:1		1	O-Ring ●	25	136-1035	2	Spring
9:2		1	Seal-Lip ●	26	110-6343	1	Valve-Scr
9:3		1	Body ●	27	131-3800	1	Pin-Slotted
9:4		1	Race-Inner ●	28	136-1033	1	Cone-Valve, Relief
10	136-1015	1	Journal Bearing Carrier ASM	29	144-1387	1	Spring
10:1		1	O-Ring ●	30	144-1385	1	Seal-Lip
10:2		1	Body ●	31	144-1386	1	Ring-Retaining
10:3		1	Race-Inner ●	32	144-1388	1	Valve-Scr (230 Bar/3335 PSI)

● Not serviced separately

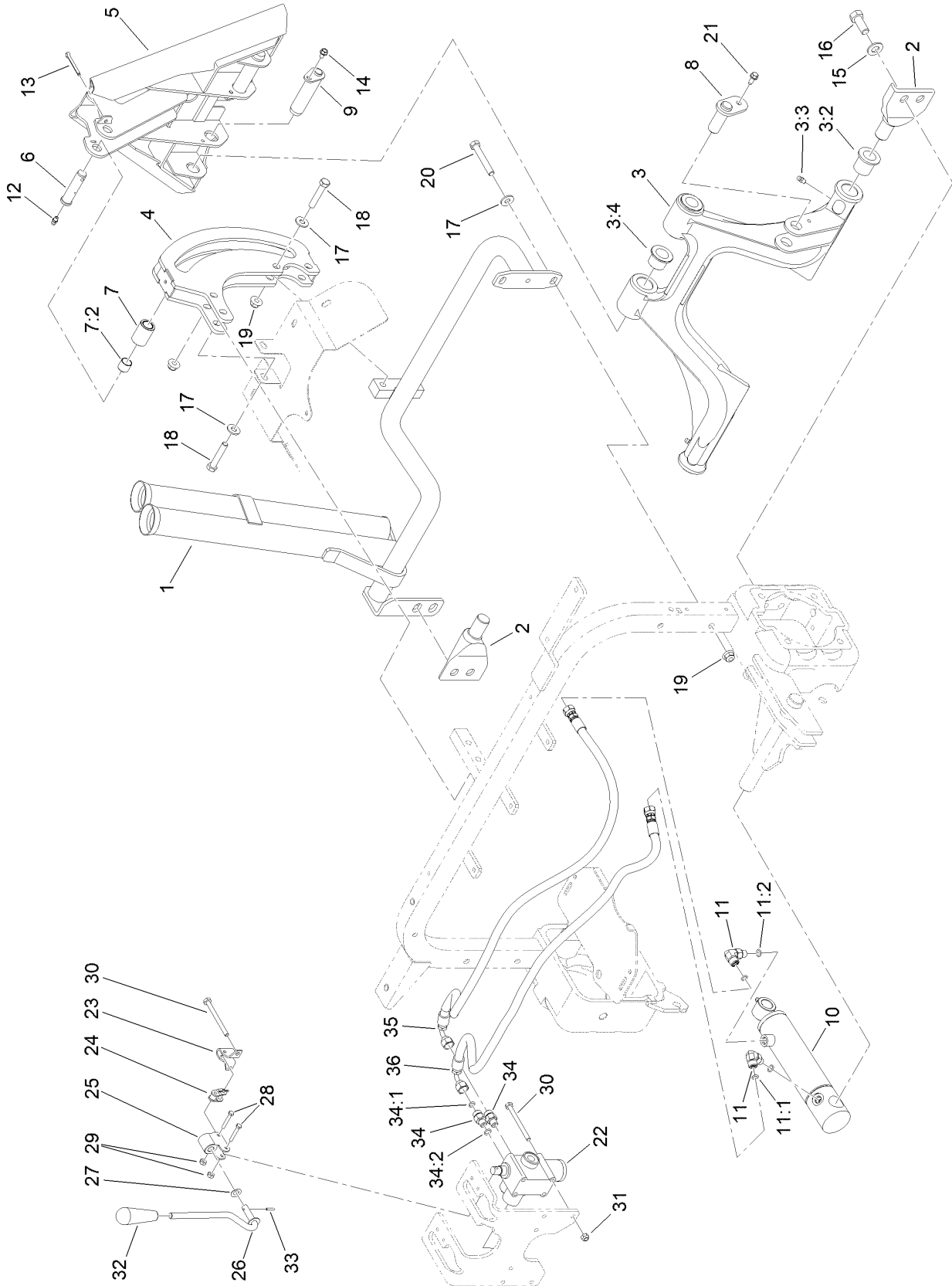
Traction Control Assembly



Traction Control Assembly (continued)

<i>Ref.</i>	<i>Part Number</i>	<i>Qty.</i>	<i>Description</i>	<i>Ref.</i>	<i>Part Number</i>	<i>Qty.</i>	<i>Description</i>
1	140-0258	1	Fan-Cooling, Pump	21	108473	1	Washer-Wave
2	126-2713	1	Screw-HHF	22	32128-20	2	Nut-HF
3	140-0257-0P	1	Plate-Pump	23	17-9420	1	Screw-Handle
4	140-0287	1	Cam-Input, Pump	24	75-5470	1	Spacer-Bearing
5	93-2111	1	Stud-Traction	25	251-259	1	Bearing-Ball
6	3-6498	1	Washer-Thrust	26	87-7270	2	Washer-Thrust
7	140-0291	1	Neutral Arm ASM	27	3274-5	2	Screw-HSH
7:4	94-9609	1	Bushing-Straight	28	3296-23	2	Nut-Lock, NI
8	120-6385	1	Sensor-Ferrous Proximity, No	29	3296-4	1	Nut-Lock
9	100-4872	1	Plate-Switch, Neutral	30	33114-016	3	Screw-HH
10	18-6380	1	Pin-Adjustment, Steering	31	323-7	1	Screw-HH
11	115-4712	1	Spring-Extension	32	3296-47	2	Nut-Lock,NI
12	76-8870	1	Damper-Lever	33	3229-20	1	Screw-CARR
13	93-9051	1	Decal-Bolt, Eccentric	34	3296-2	1	Nut-Lock, NI
14	85-8960	1	Spacer	35	3256-23	1	Washer-Plain
15	108-5498-01	1	Pedal	36	322-14	1	Screw-HH
16	117-9564	1	Traction Rod ASM	37	104-8300	1	Nut-HF, NI
16:1	115-5626	1	Rod ASM	38	117-4698	1	Screw-Shoulder, HH
16:1:2	23-2270	1	Bushing-Rubber	39	106-9888	2	Washer-Flat
16:2	3220-3	1	Nut-HJ	40	3272-10	1	Pin-Cotter
16:3	115-5623	1	Isolated Rod End ASM	41	3230-2	1	Bolt-CARR
16:3:2	23-2270	1	Bushing-Rubber	42	3218-1	1	Nut-Jam
17	117-9507	1	Pedal-Accelerator	43	321-43	1	Capscrew
18	32121-45	1	Pin-Spring	44	3296-39	1	Nut-Lock, NI
19	74-9100	1	Pad-Pedal, Forward	45	116-0648	1	Screw-HH, Thread Locking
20	74-9110	1	Pad-Pedal, Reverse	46	3290-379	2	Tie-Cable
				47	32180-030	1	Clip-Tie

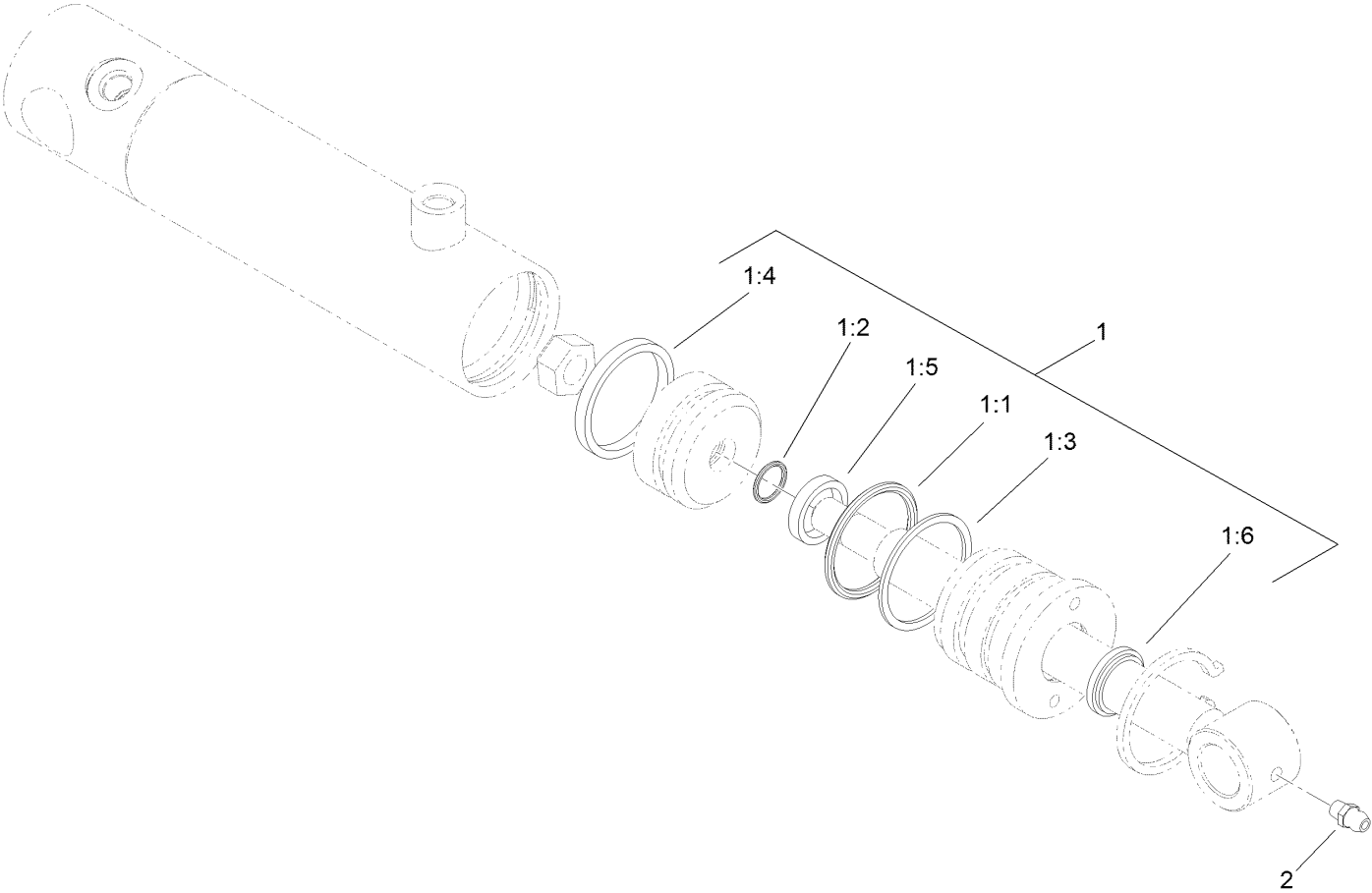
Rear Lift and Lift Circuit Assembly



Rear Lift and Lift Circuit Assembly (continued)

<i>Ref.</i>	<i>Part Number</i>	<i>Qty.</i>	<i>Description</i>	<i>Ref.</i>	<i>Part Number</i>	<i>Qty.</i>	<i>Description</i>
1	120-3465-03	1	Frame-Hitch	17	3256-3	6	Washer-Flat
2	115-5618	2	Pivot-Hub	18	323-10	4	Screw-HH
3	120-3457	1	Rear Hitch ASM	19	104-8301	6	Nut-HF, NI
3:2	95-3577	2	Bushing	20	323-12	2	Screw-HH
3:3	302-5	4	Fitting-Grease	21	32144-10	1	Screw-HWH
3:4	33-3090	4	Bushing	22	121-9070	1	Valve ASM
4	110-1368-03	1	Roller Plate ASM	23	88-8480	1	Bracket-Pivot
5	130-7879	1	Adapter Frame ASM	24	2710-20	1	Link-Offset
6	108-2282	1	Pin-Clevis	25	125-1944	1	Pivot-Hinge
7	108-5472	1	Tube ASM	26	108-7942	1	Lever-Rear
7:2	256-311	2	Bushing-Split	27	3290-477	1	Washer-Curved
8	115-5648	1	Pin-Flag	28	3290-360	2	Screw-HH
9	138-6484	2	Pin	29	3296-2	2	Nut-Lock, NI
10	115-5647	1	HYD Lift Cylinder ASM	30	321-23	3	Screw-HH
11	340-132	2	Fitting-Elbow, 90 DEG	31	3296-8	3	Nut-Hex
11:1	237-78	1	O-Ring	32	98-0152	1	Knob-Tapered
11:2	237-21	1	O-Ring	33	32121-73	1	Pin-Roll
12	302-5	1	Fitting-Grease	34	340-92	2	Fitting-Straight
13	3272-23	1	Pin-Cotter	34:1	237-78	1	O-Ring
14	137-4795	2	Screw	34:2	237-21	1	O-Ring
15	3256-26	4	Washer-Flat	35	95-8837	1	Hose ASM
16	325-5	4	Screw-HH	36	100-3833	1	Hose-HYD

Hydraulic Lift Cylinder Assembly No. 115-5647

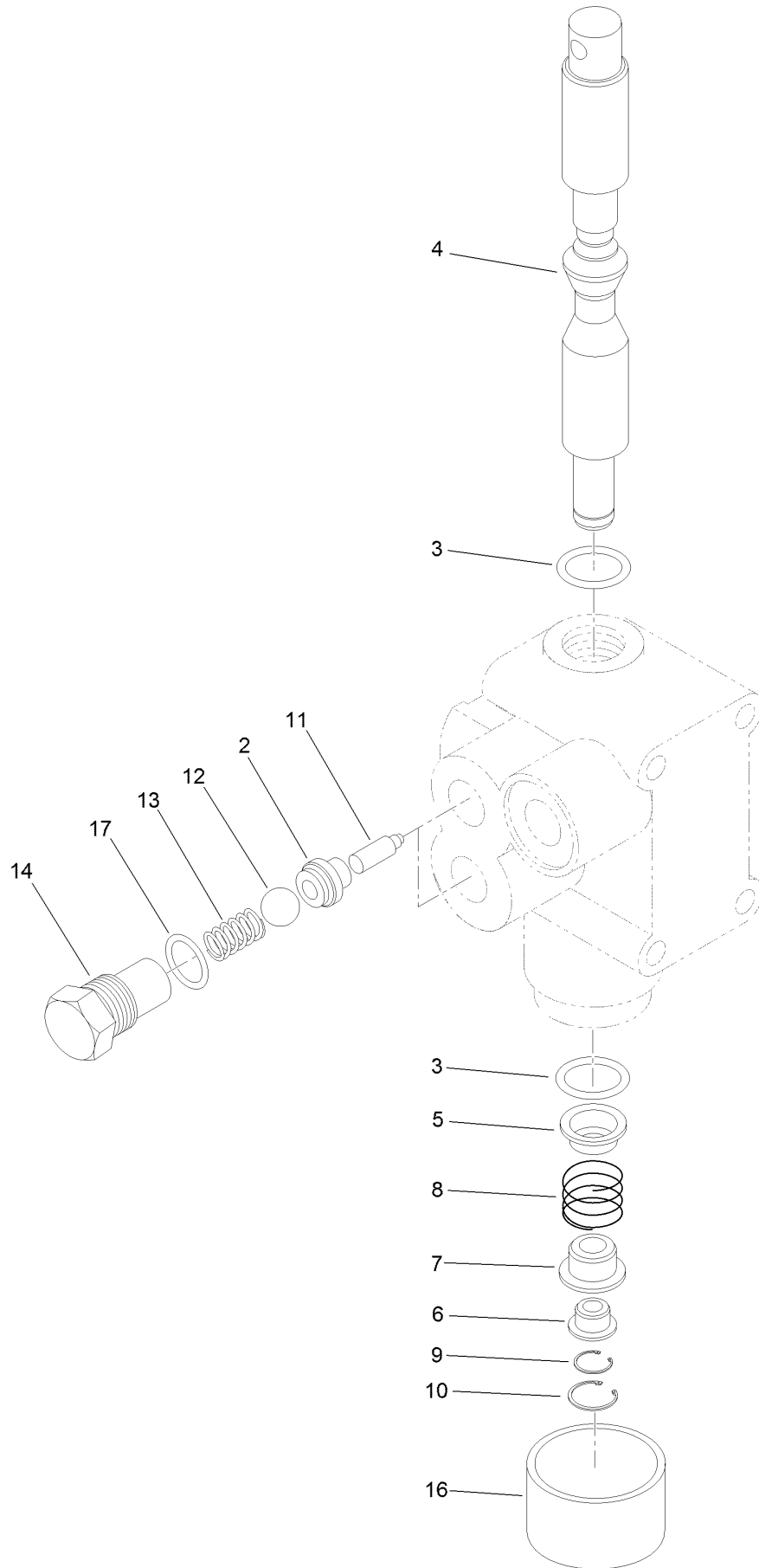


Hydraulic Lift Cylinder Assembly No. 115-5647 (continued)

<i>Ref.</i>	<i>Part Number</i>	<i>Qty.</i>	<i>Description</i>	<i>Ref.</i>	<i>Part Number</i>	<i>Qty.</i>	<i>Description</i>
1	108-4597	1	Seal Kit	1:4		1	Seal-Psp ●
1:1		1	O-Ring ●	1:5		1	Seal-Rod ●
1:2		1	O-Ring ●	1:6		1	Seal-Dust ●
1:3		1	Ring-Back Up ●	2	302-5	1	Fitting-Grease

● Not serviced separately

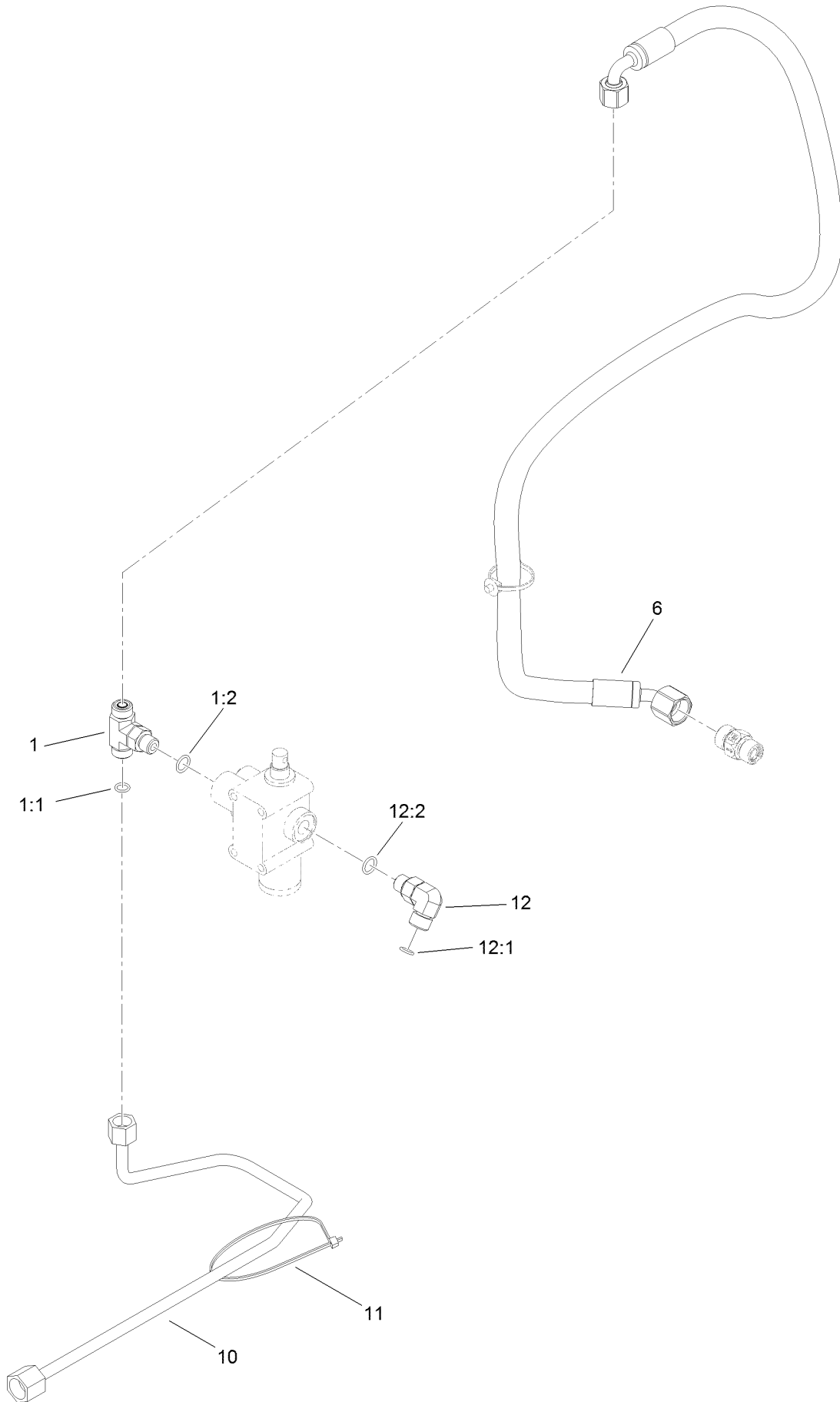
Hydraulic Valve Assembly No. 121-9070



Hydraulic Valve Assembly No. 121-9070 (continued)

<i>Ref.</i>	<i>Part Number</i>	<i>Qty.</i>	<i>Description</i>	<i>Ref.</i>	<i>Part Number</i>	<i>Qty.</i>	<i>Description</i>
2	22-8370	2	Seat-Valve	10	22-8490	1	Ring-Snap
3	22-8500	2	O-Ring	11	22-8360	2	Pin
4	22-8420	1	Spool	12	22-8350	2	Ball
5	22-8380	1	Retainer	13	22-8340	2	Spring
6	22-8400	1	Spacer	14	22-8330	2	Plug
7	22-8390	1	Retainer	16	138-2229	1	Cap
8	22-8410	1	Spring	17	237-42	2	O-Ring
9	22-8480	1	Ring-Snap				

Lift Hydraulic Routing Assembly

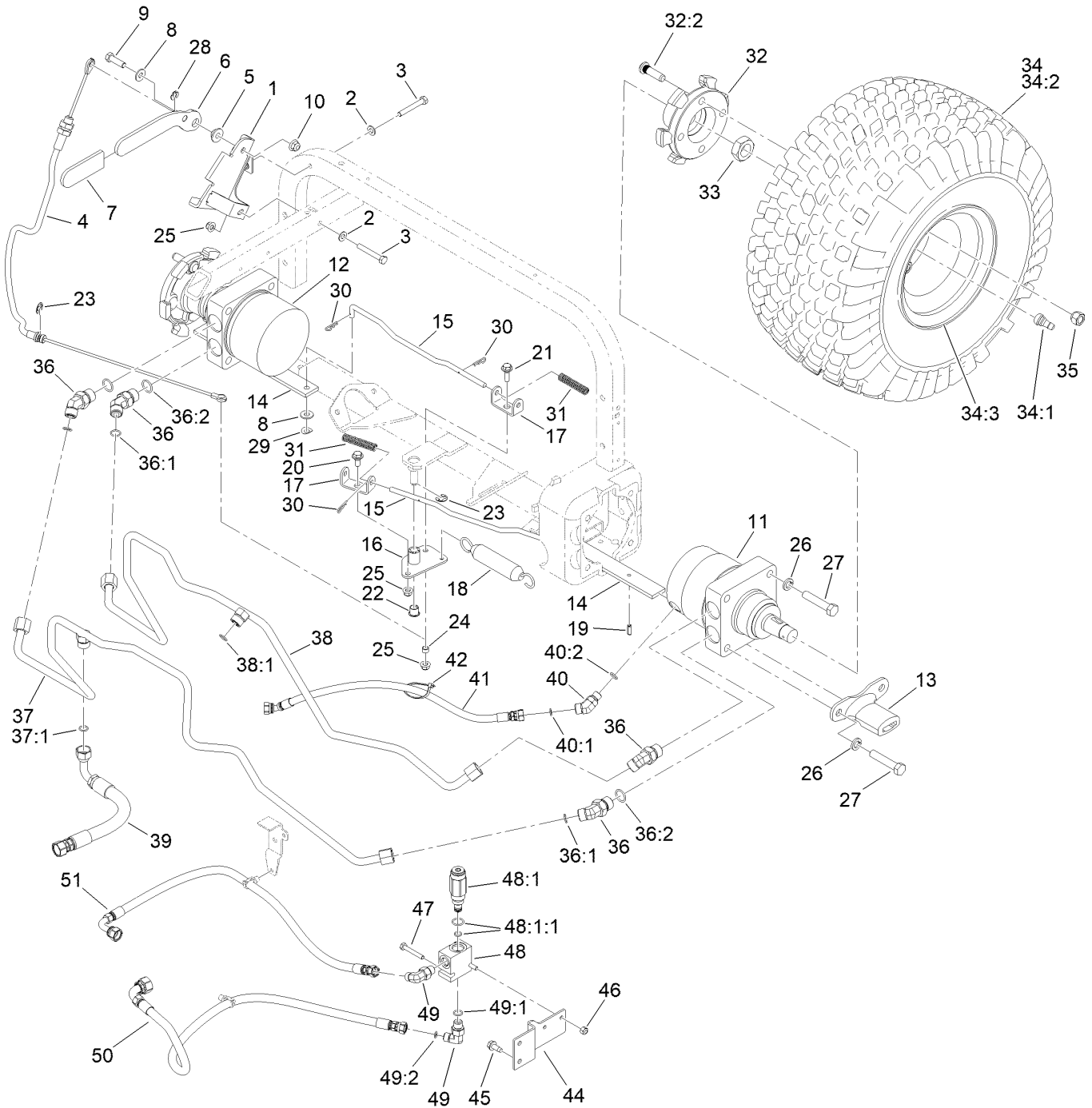


Lift Hydraulic Routing Assembly (continued)

<i>Ref.</i>	<i>Part Number</i>	<i>Qty.</i>	<i>Description</i>
1	340-94	1	Adapter
1:1	237-22	2	O-Ring
1:2	237-42	1	O-Ring
6	144-1367	1	HYD Hose ASM
10	140-0271	1	Hydraulic Tube ASM

<i>Ref.</i>	<i>Part Number</i>	<i>Qty.</i>	<i>Description</i>
11	3290-379	4	Tie-Cable
12	340-77	1	Fitting-Elbow, 90 DEG
12:1	237-22	1	O-Ring
12:2	237-42	1	O-Ring

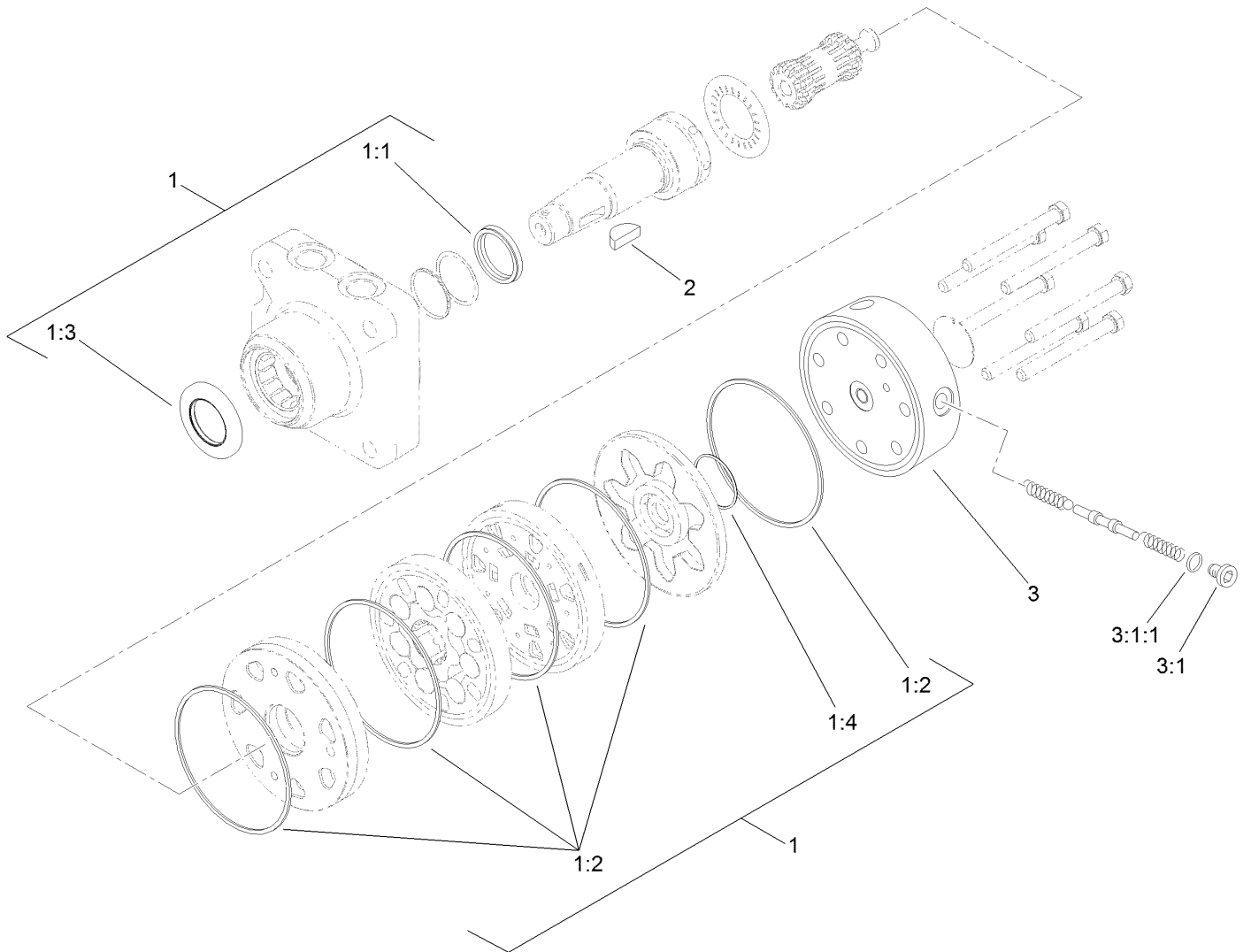
Rear Wheel Assembly



Rear Wheel Assembly (continued)

<i>Ref.</i>	<i>Part Number</i>	<i>Qty.</i>	<i>Description</i>	<i>Ref.</i>	<i>Part Number</i>	<i>Qty.</i>	<i>Description</i>
1	121-2520	1	Bracket-Lever, Brake	32:2	10-6830	4	Stud-Type, Drive
2	3256-23	2	Washer-Plain	33	26-3790	2	Nut-Lock
3	322-11	2	Screw-HH	34	95-0621	2	Wheel And Tire ASM
4	108-7913	1	Cable-Brake, Park	34:1	5108	1	Valve
5	108-7994	1	Bushing-Pivot, Lever	34:2	85-8290	1	Tire-2Ply, Knobby
6	108-7991-03	1	Lever-Brake	34:3	94-6116	1	Wheel-Rear
7	21-1880	1	Grip-Handle	35	242-50	8	Nut-Lug
8	3256-3	3	Washer-Flat	36	340-89	4	Fitting-HYD, 45 DEG
9	323-7	1	Screw-HH	36:1	237-30	1	O-Ring
10	104-8301	1	Nut-HF, NI	36:2	237-80	1	O-Ring
11	108-2947	1	HYD Motor ASM (CCW)	37	108-8406	1	Tube ASM
12	108-2949	1	HYD Motor ASM (CW)	37:1	237-30	1	O-Ring
13	125-1967	2	Bracket-Brake, Park	38	110-1323	1	Tube ASM
14	108-7986-0P	2	Bar-Latch, Parking	38:1	237-30	1	O-Ring
15	108-7987	2	Link-Latch, Parking	39	110-1322	1	HYD Hose ASM
16	108-7979-0P	1	Bellcrank	40	340-87	1	Fitting-Elbow, 45 DEG
17	114-0631	2	Clevis-Latch, Parking	40:1	237-22	1	O-Ring
18	66-4270	1	Spring-Extension	40:2	237-42	1	O-Ring
19	32121-11	2	Pin-Roll	41	140-0269	1	HYD Hose ASM
20	19-1470	1	Screw-Shoulder	42	3290-379	1	Tie-Cable
21	19-1471	1	Screw-Shoulder	44	108-8460-01	1	Bracket-Valve
22	256-257	2	Bushing-Nyliner	45	32144-11	2	Screw-HWH
23	32120-47	2	Ring-Retaining, External	46	3296-42	2	Nut-Lock, NI
24	108-7983	1	Bushing-Cable	47	321-10	2	Screw-HH
25	104-8300	4	Nut-HF, NI	48	144-1391	1	Valve-Relief
26	3253-7	8	Washer-Lock	48:1	144-1398	1	Valve-Relief
27	325-10	8	Screw-HH	48:1:1	105-9156	1	Seal Kit
28	32151-47	1	Ring-Retaining	49	340-82	2	Fitting-Elbow, 90 DEG
29	121-4605	2	Washer-Spring	49:1	237-42	1	O-Ring
30	3290-307	4	Pin-Cotter	49:2	237-21	1	O-Ring
31	107-3376	2	Spring-Compression	50	144-1394	1	HYD Hose ASM
32	144-1373	2	Wheel Hub ASM	51	144-1395	1	HYD Hose ASM

Hydraulic Motor Assembly No. 108-2947

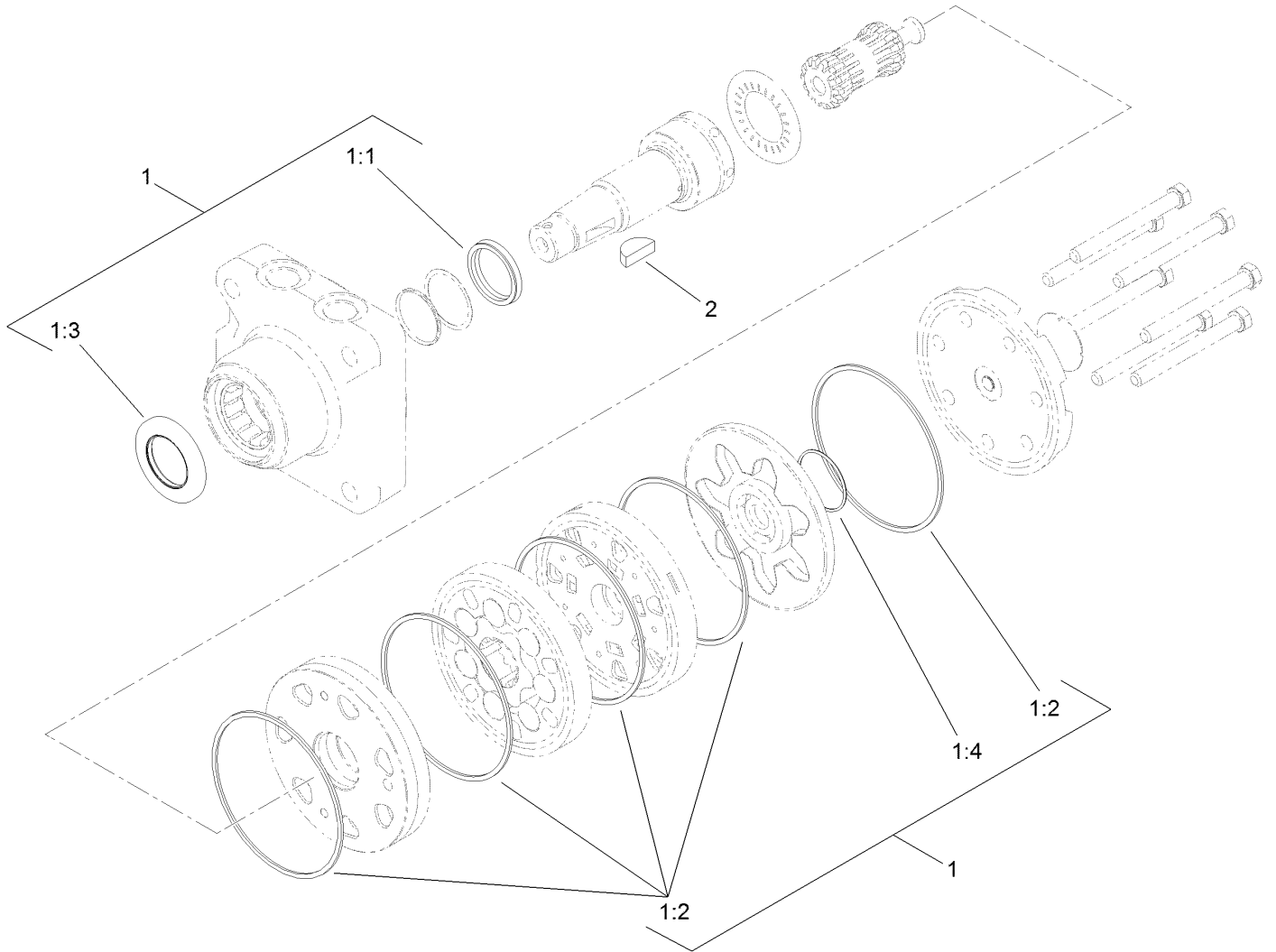


Hydraulic Motor Assembly No. 108-2947 (continued)

<i>Ref.</i>	<i>Part Number</i>	<i>Qty.</i>	<i>Description</i>	<i>Ref.</i>	<i>Part Number</i>	<i>Qty.</i>	<i>Description</i>
1	110-6459	1	Seal Kit	2	3257-42	1	Key-Woodruff
1:1		1	Seal-Shaft ●	3	110-3381	1	End Cover ASM
1:2		5	Seal-Body ●	3:1	353-990	1	Plug ASM
1:3		1	Seal-Dirt/Water ●	3:1:1	237-78	1	O-Ring
1:4		1	Seal-Commutator ●				

● Not serviced separately

Hydraulic Motor Assembly No. 108-2949

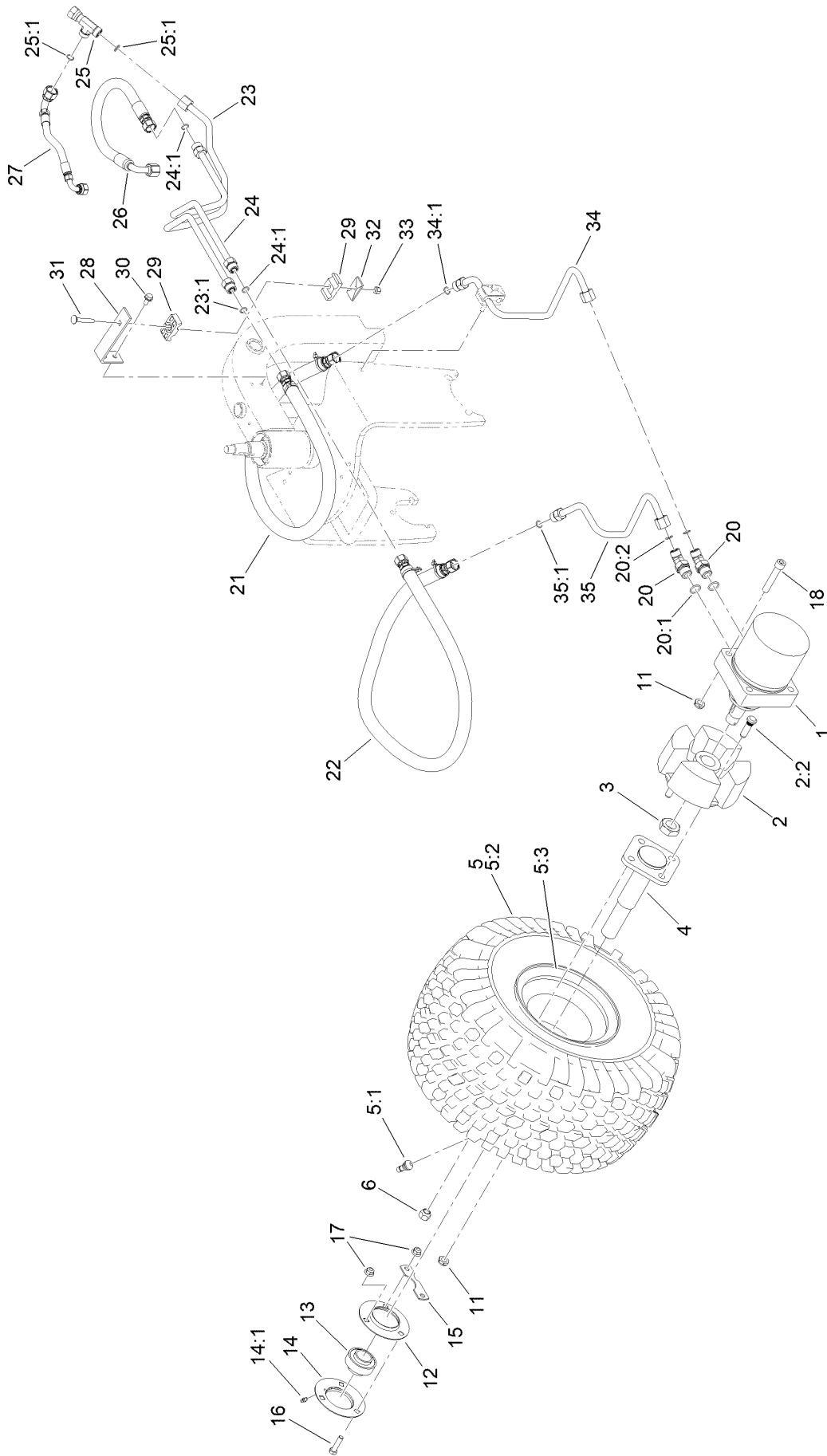


Hydraulic Motor Assembly No. 108-2949 (continued)

<i>Ref.</i>	<i>Part Number</i>	<i>Qty.</i>	<i>Description</i>	<i>Ref.</i>	<i>Part Number</i>	<i>Qty.</i>	<i>Description</i>
1	110-6459	1	Seal Kit	1:3		1	Seal-Dirt/Water ●
1:1		1	Seal-Shaft ●	1:4		1	Seal-Commutator ●
1:2		5	Seal-Body ●	2	3257-42	1	Key-Woodruff

● Not serviced separately

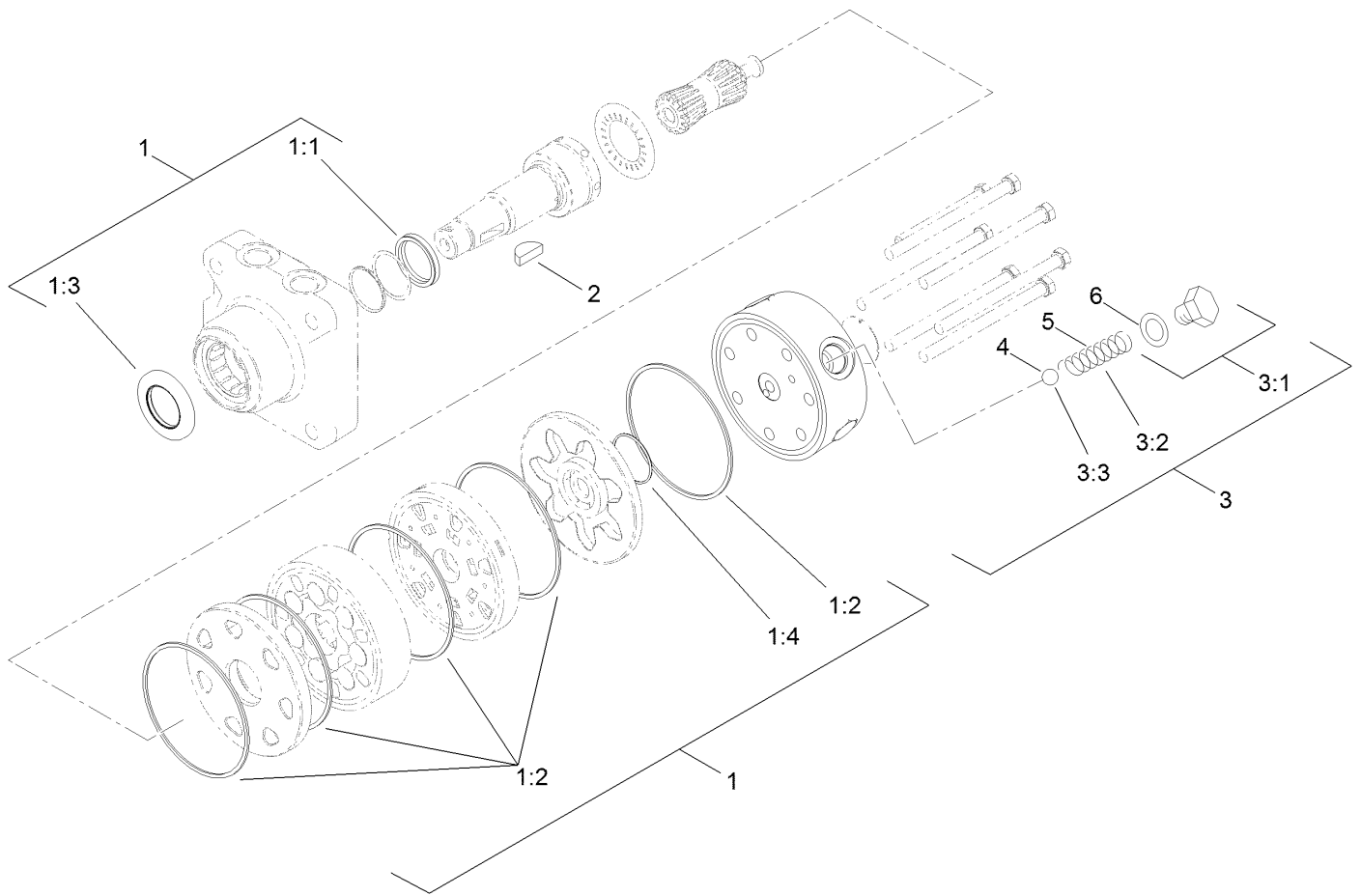
Front Wheel Assembly



Front Wheel Assembly (continued)

<i>Ref.</i>	<i>Part Number</i>	<i>Qty.</i>	<i>Description</i>	<i>Ref.</i>	<i>Part Number</i>	<i>Qty.</i>	<i>Description</i>
1	108-2948	1	HYD Motor ASM (CW)	20:2	237-80	1	O-Ring
2	144-1381	1	Front Wheel Hub ASM	21	108-8433	1	HYD Hose ASM
2:2	10-6830	4	Stud-Type, Drive	22	110-6303	1	HYD Hose ASM
3	26-3790	1	Nut-Lock	23	140-0315	1	Hydraulic Tube ASM
4	110-6314	1	Spindle	23:1	237-30	1	O-Ring
5	95-0621	1	Wheel And Tire ASM	24	108-8411	1	Tube ASM
5:1	5108	1	Valve	24:1	237-30	2	O-Ring
5:2	85-8290	1	Tire-2Ply, Knobby	25	340-104	1	Fitting-Tee
5:3	94-6116	1	Wheel-Rear	25:1	237-30	2	O-Ring
6	242-50	4	Nut-Lug	26	140-0323	1	HYD Hose ASM
11	3296-45	2	Nut-Hex	27	144-1393	1	HYD Hose ASM
12	85-8950	1	Flangette-Standard	28	108-8455-01	1	Bracket-Clamp
13	251-352	1	Bearing	29	56-7976	2	Clamp-Tube
14	85-8940	1	Flangette-Relube	30	32144-14	2	Screw-HWHTF
14:1	302-5	1	Fitting-Grease	31	3230-6	1	Bolt-CARR
15	88-8350	1	Tab-Bearing	32	69-9760	1	Plate-Cover
16	323-8	3	Screw-HH	33	3296-29	1	Nut-Lock, NI
17	104-8301	3	Nut-HF, NI	34	108-8432	1	Tube ASM
18	3274-74	2	Screw-HSH	34:1	237-30	1	O-Ring
20	340-89	2	Fitting-HYD, 45 DEG	35	108-8431	1	Tube ASM
20:1	237-30	1	O-Ring	35:1	237-30	1	O-Ring

Hydraulic Motor Assembly No. 108-2948

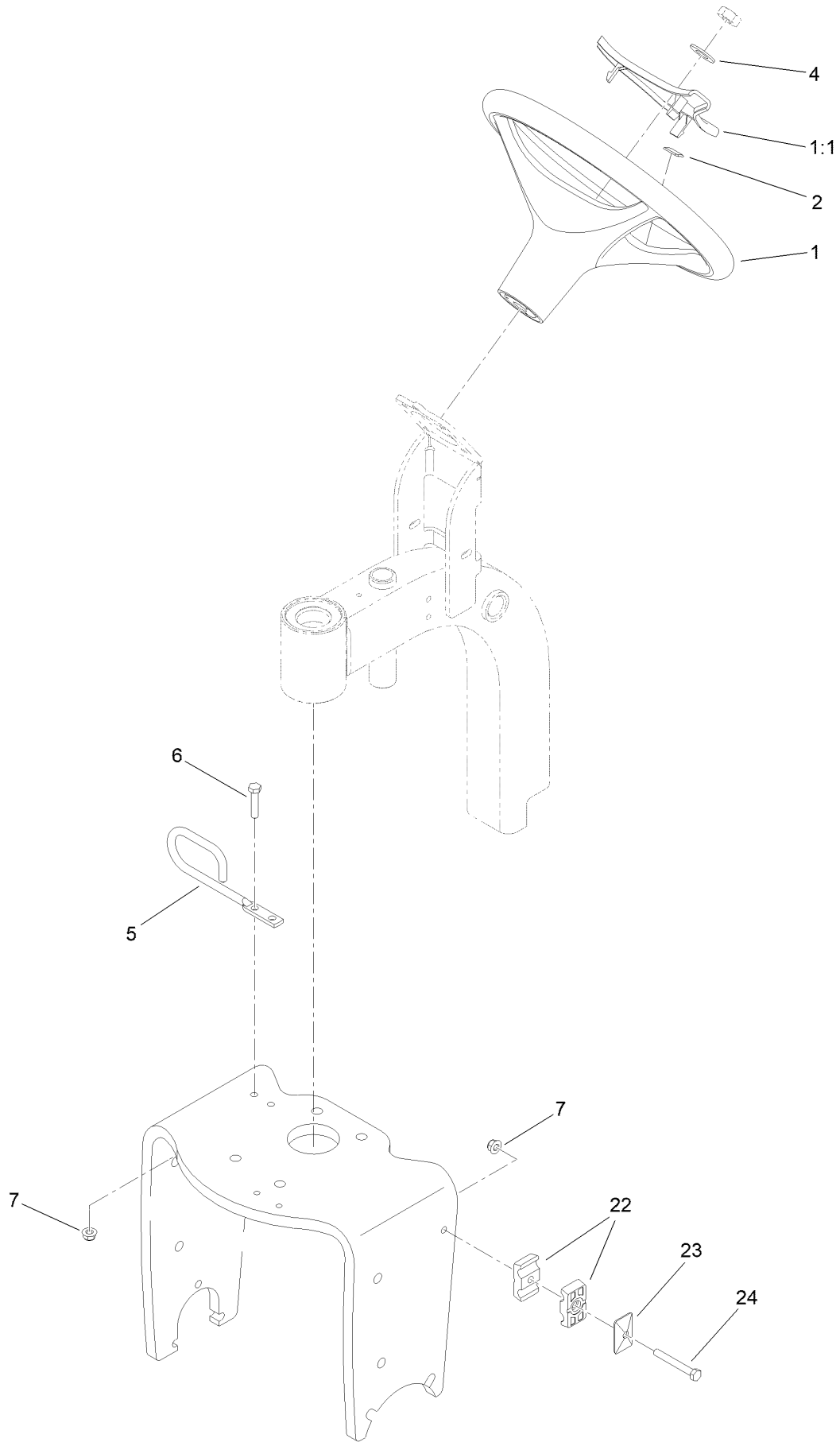


Hydraulic Motor Assembly No. 108-2948 (continued)

<i>Ref.</i>	<i>Part Number</i>	<i>Qty.</i>	<i>Description</i>	<i>Ref.</i>	<i>Part Number</i>	<i>Qty.</i>	<i>Description</i>
1	110-6459	1	Seal Kit	3:1		1	Spring Cap And O-Ring ASM ●
1:1		1	Seal-Shaft ●	3:2	99-3541	1	Spring
1:2		5	Seal-Body ●	3:3	99-3540	1	Ball
1:3		1	Seal-Dirt/Water ●	4	99-3540	1	Ball
1:4		1	Seal-Commutator ●	5	99-3541	1	Spring
2	3257-42	1	Key-Woodruff	6	132-4421	1	O-Ring
3	99-3538	1	End Cover ASM				

● Not serviced separately

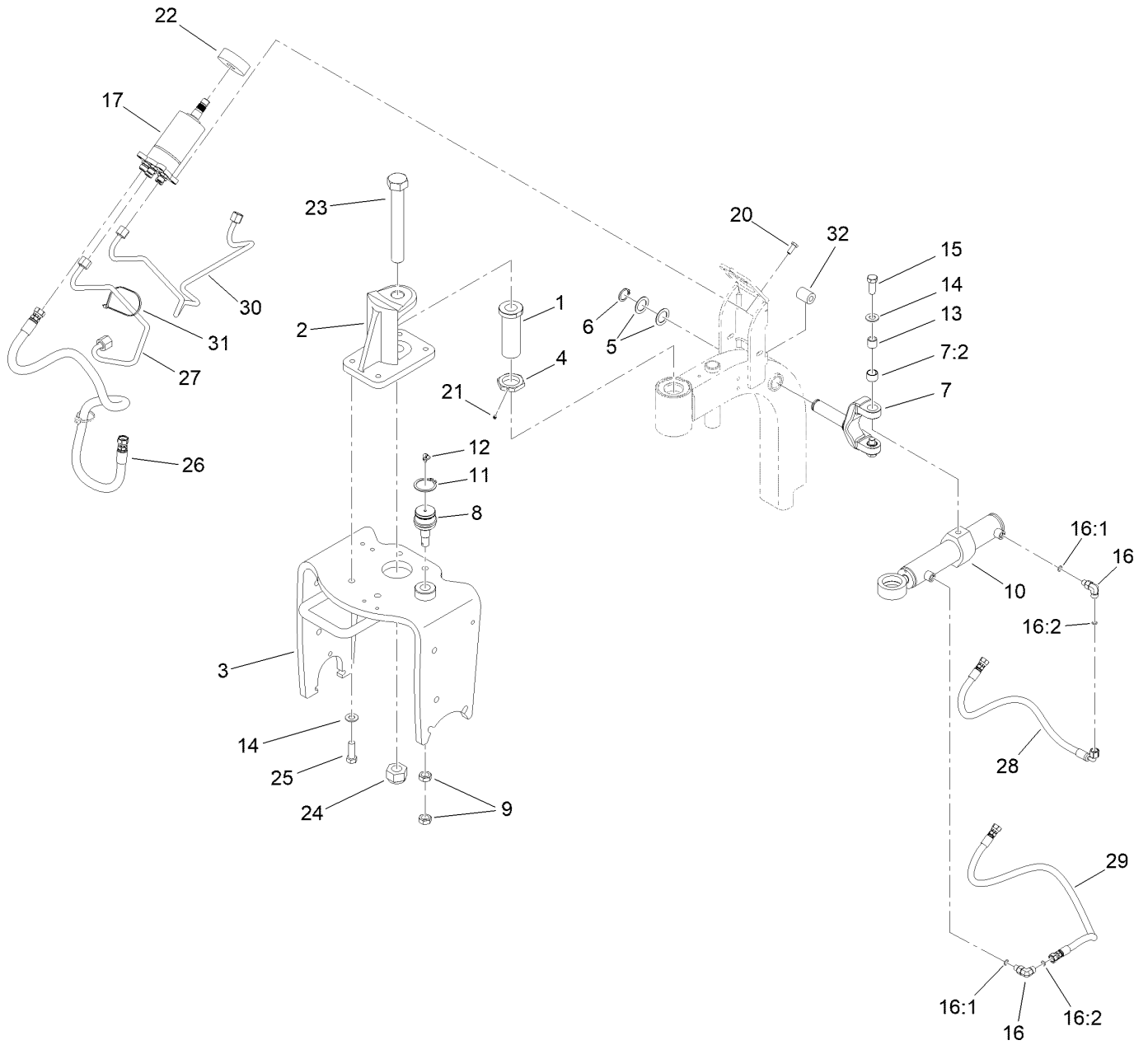
Steering Assembly



Steering Assembly (continued)

<i>Ref.</i>	<i>Part Number</i>	<i>Qty.</i>	<i>Description</i>	<i>Ref.</i>	<i>Part Number</i>	<i>Qty.</i>	<i>Description</i>
1	98-1471	1	Wheel-Steering	6	322-7	2	Screw-HH
1:1	98-1468	1	Cover-Wheel, Steering	7	104-8300	3	Nut-HF, NI
2	98-1459	1	Decal	22	56-7976	2	Clamp-Tube
4	3256-27	1	Washer-Flat	23	69-9760	1	Plate-Cover
5	138-9139	1	Guide-Hose	24	322-12	1	Screw-HH

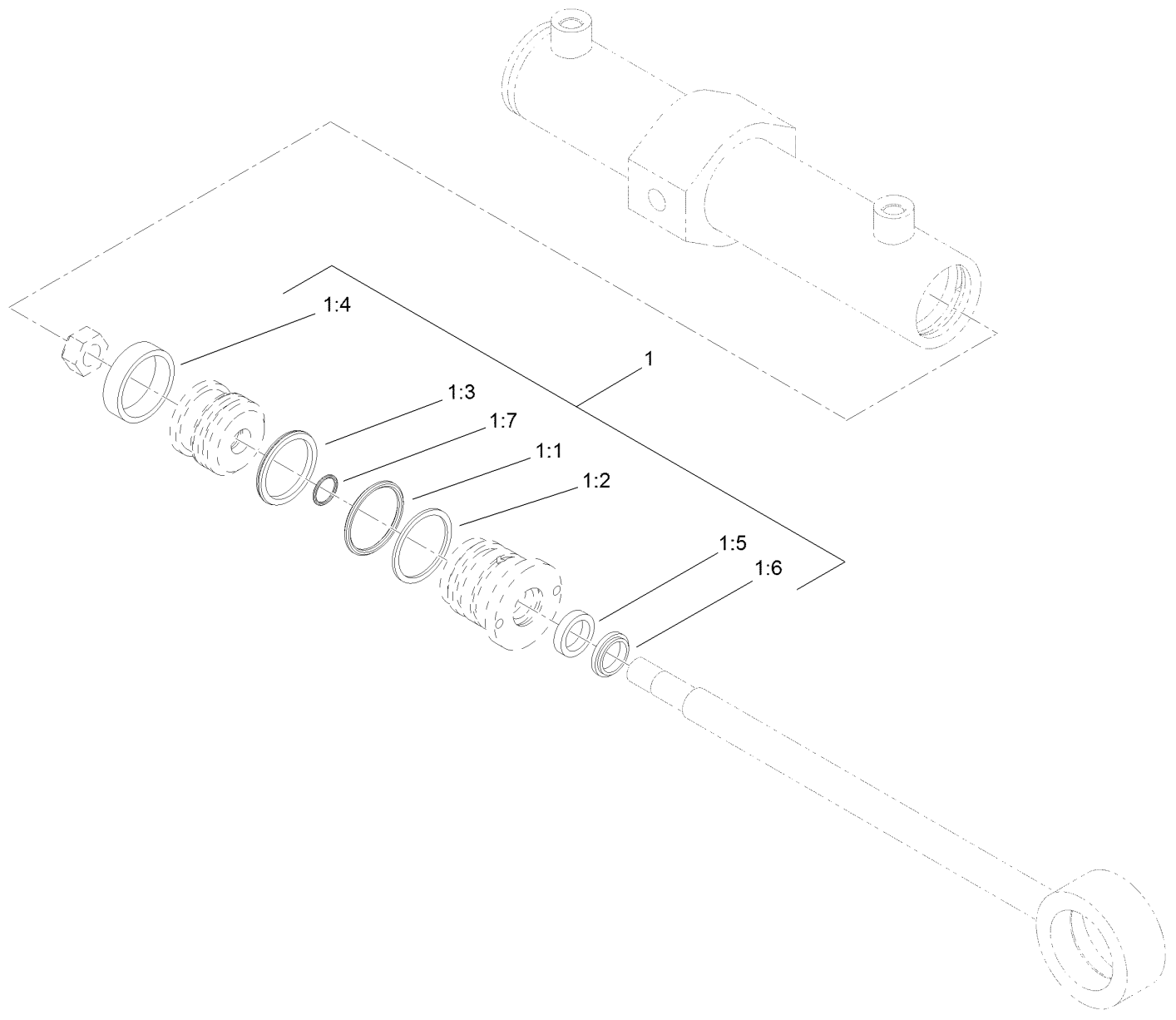
Steering Hydraulics Assembly



Steering Hydraulics Assembly (continued)

<i>Ref.</i>	<i>Part Number</i>	<i>Qty.</i>	<i>Description</i>	<i>Ref.</i>	<i>Part Number</i>	<i>Qty.</i>	<i>Description</i>
1	108-8470	1	Sleeve-Steering	16:1	237-78	1	O-Ring
2	108-5431	1	Pivot-Steering	16:2	237-21	1	O-Ring
3	108-0573-01	1	Fork-Castor	17	138-9133	1	Pump-Steering Unit
4	108-8471	1	Nut-Steering	20	33114-020	4	Screw-HH
5	1-543436	2	Washer-Spacer	21	3245-1	1	Screw-Set, HSH
6	32151-36	1	Ring-Retaining	22	108-7998	1	Collar-Foam
7	108-8481	1	Yoke And Bushing ASM	23	3216-16	1	Screw-HH
7:2	108-8482	2	Bushing-Sleeve	24	104-2024	1	Nut-Hex, NI
8	106-6774	1	Joint-Ball	25	325-6	4	Screw-HH
9	3220-6	2	Nut-Jam	26	140-0317	1	HYD Hose ASM
10	114-0620	1	Hydraulic Cylinder ASM	27	140-0270	1	Hydraulic Tube ASM
11	32151-104	1	Ring-Retaining, External	28	105-4347	1	Hose-HYD
12	302-40	1	Fitting-Grease, 90 DEG	29	108-6508	1	Hose-HYD
13	108-8483	2	Spacer-Plain	30	108-8415	1	Tube ASM
14	3256-26	6	Washer-Flat	31	3290-379	2	Tie-Cable
15	3213-2	2	Screw-HH	32	38-3400	2	Guard-Rubber
16	340-132	2	Fitting-Elbow, 90 DEG				

Hydraulic Cylinder Assembly No. 114-0620

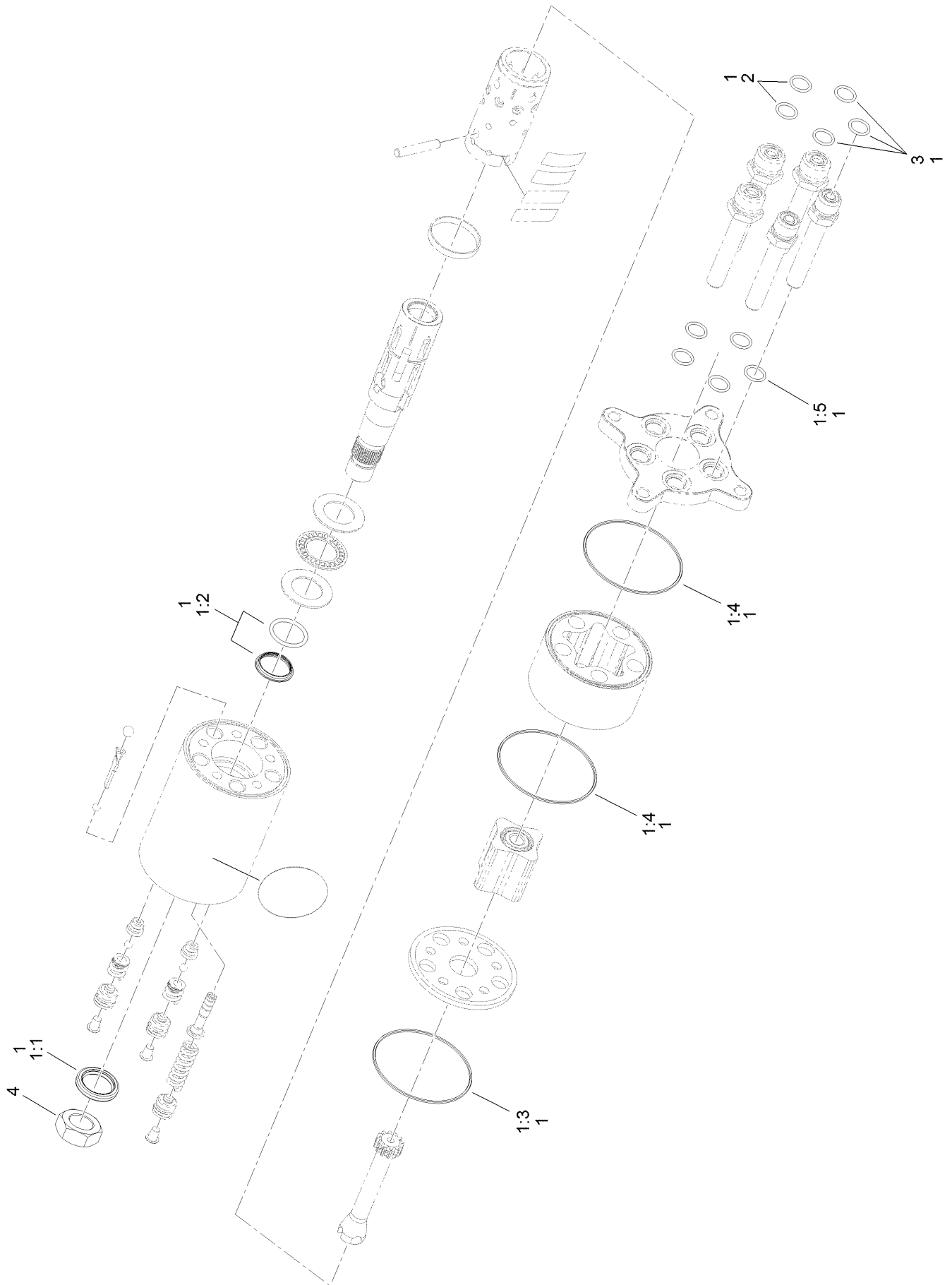


Hydraulic Cylinder Assembly No. 114-0620 (continued)

<i>Ref.</i>	<i>Part Number</i>	<i>Qty.</i>	<i>Description</i>	<i>Ref.</i>	<i>Part Number</i>	<i>Qty.</i>	<i>Description</i>
1	114-0622	1	Seal Kit	1:4		1	Wear Ring ●
1:1		1	O-Ring ●	1:5		1	Bs Seal ●
1:2		1	Backup ●	1:6		1	Dust Seal ●
1:3		1	Bp Seal ●	1:7		1	O-Ring ●

● Not serviced separately

Hydraulic Steering Pump No. 138-9133



Hydraulic Steering Pump No. 138-9133 (continued)

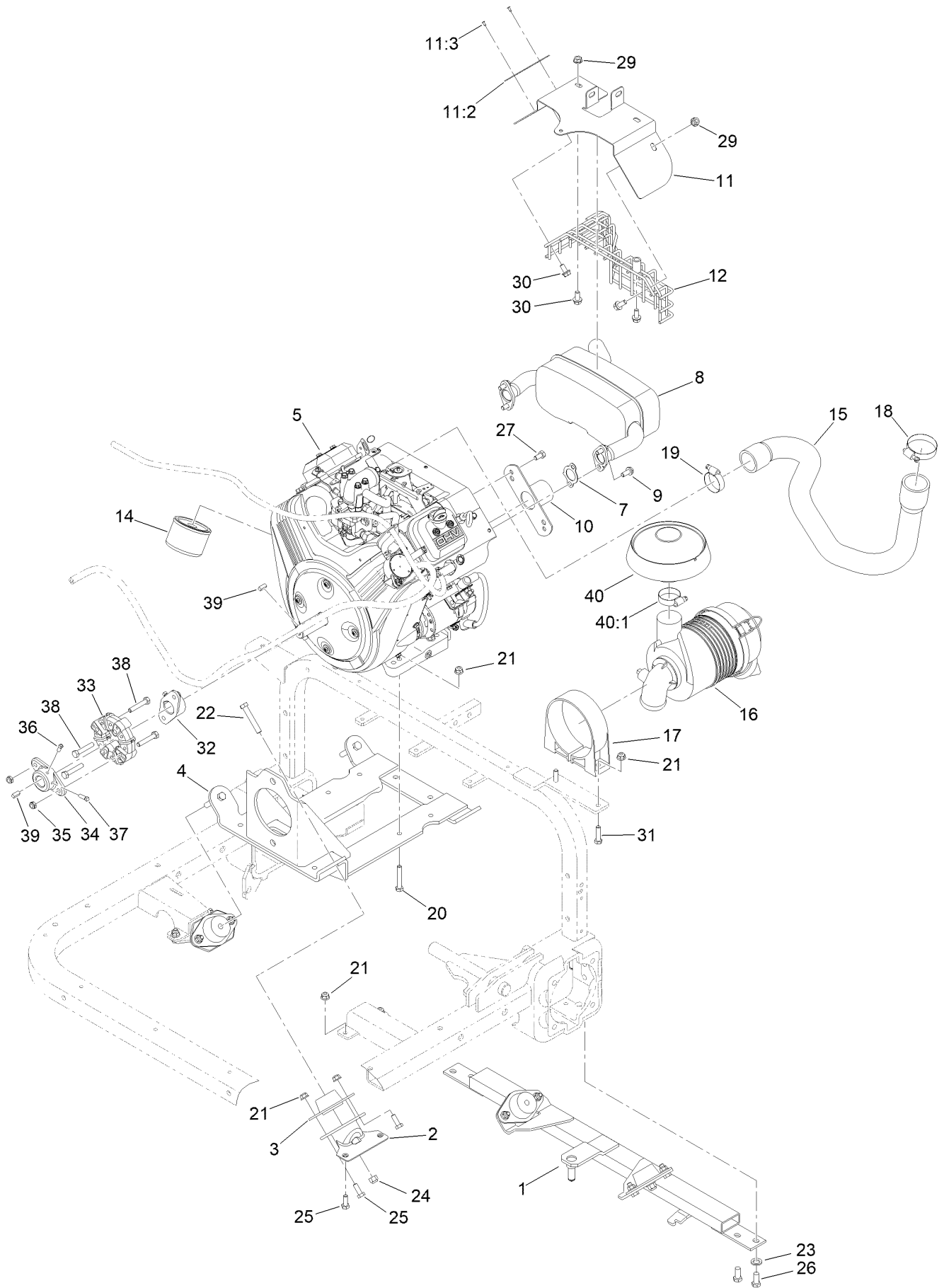
<i>Ref.</i>	<i>Part Number</i>	<i>Qty.</i>	<i>Description</i>
1	106-6716	1	Seal Kit ●
1:1		1	Ring-Seal, Dust ■
1:2		1	Seal-Shaft ■
1:3		1	O-Ring ■
1:4		2	O-Ring ■

<i>Ref.</i>	<i>Part Number</i>	<i>Qty.</i>	<i>Description</i>
1:5		5	O-Ring ■
2	237-21	2	O-Ring
3	237-22	3	O-Ring
4	3296-33	1	Nut-Lock, NI

● Not illustrated

■ Not serviced separately

Engine Installation Assembly

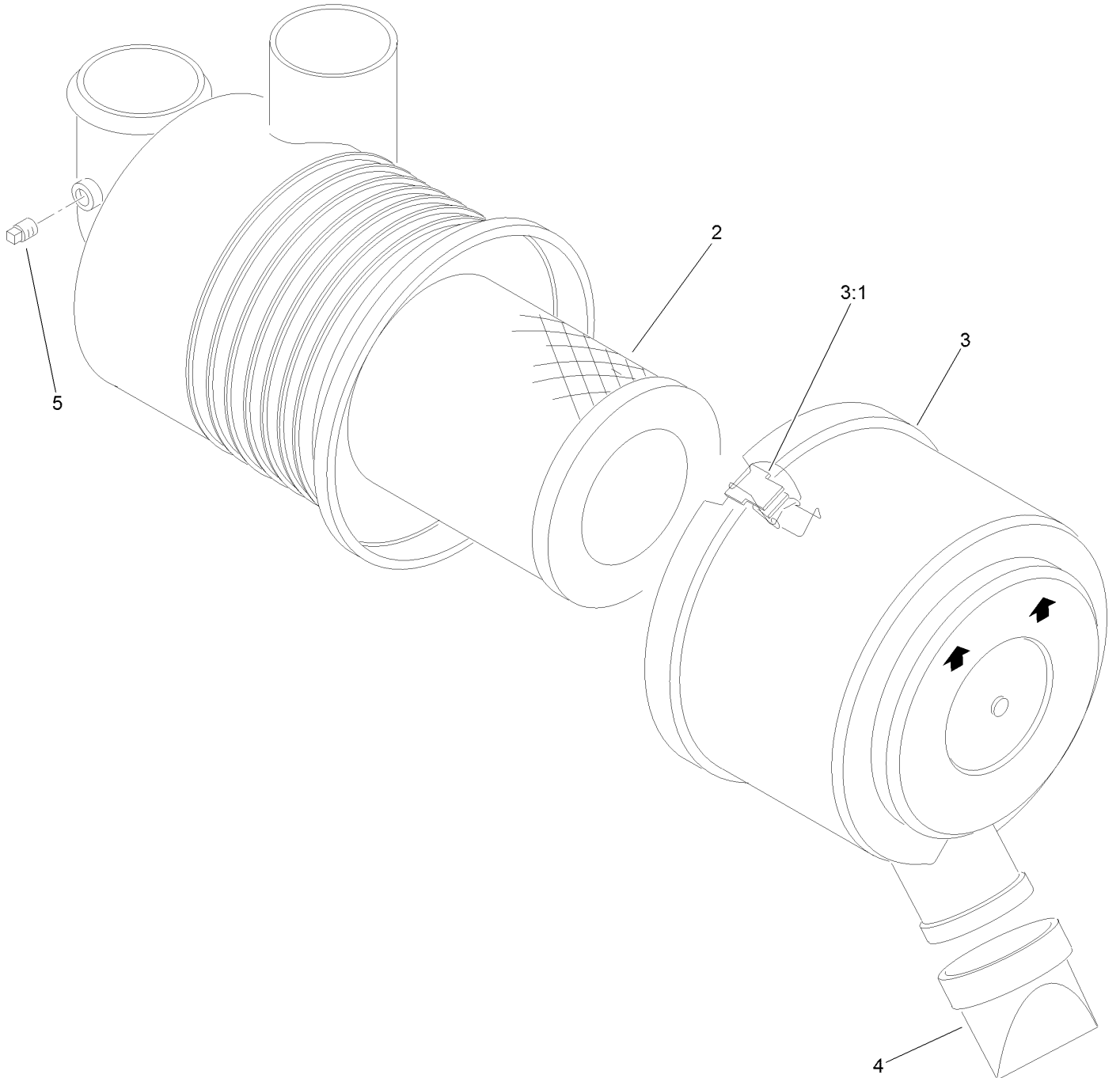


Engine Installation Assembly (continued)

<i>Ref.</i>	<i>Part Number</i>	<i>Qty.</i>	<i>Description</i>	<i>Ref.</i>	<i>Part Number</i>	<i>Qty.</i>	<i>Description</i>
1	120-3461-01	1	Mount-Engine	21	104-8300	18	Nut-HF, NI
2	125-1954	2	Mount-Front	22	323-11	4	Screw-HH
3	121-9076	4	Mount-Engine	23	3256-24	4	Washer-Plain
4	108-2809-0P	1	Support-Engine	24	104-8301	4	Nut-HF, NI
5	140-0282	1	Engine ●	25	322-4	12	Screw-HH
7	94-3449	2	Gasket-Manifold, Exhaust	26	323-5	4	Screw-HH
8	120-3476	1	Muffler-Dual Inlet	27	3210-2	2	Screw-HH
9	94-5300	4	Screw-HHF	29	32128-25	4	Nut-HF
10	95-0632-03	1	Cover	30	3234-14	4	Screw-HHF
11	119-7191	1	Muffler Shield ASM	31	322-6	2	Screw-HH
11:2	95-0645	1	Plate-Surface, Hot	32	110-5236	1	Hub-Engine
11:3	3269-32	2	Rivet-Pop	33	119-0652	1	Coupler-Rubber
12	110-6348-03	1	Shield-Exhaust	34	110-5227	1	Hub-Pump
14	107-7817	1	Filter-Oil, Engine	35	3296-47	4	Nut-Lock,NI
15	117-9576	1	Hose-Air	36	3241-7	2	Screw-SQH
16	93-2190	1	Air Cleaner ASM	37	3241-6	2	Screw-SQH
17	95-5806	1	Bracket-Mounting, Air Cleaner	38	322-9	4	Screw-HH
18	2412-92	1	Clamp-Hose	39	85-9020	2	Key-Square
19	2412-3	1	Clamp-Hose	40	136-7859	1	Rain Cap Kit
20	322-10	4	Screw-HH	40:1	1-643009	1	Clamp-Hose

● Obtain parts from www.briggsandstratton.com

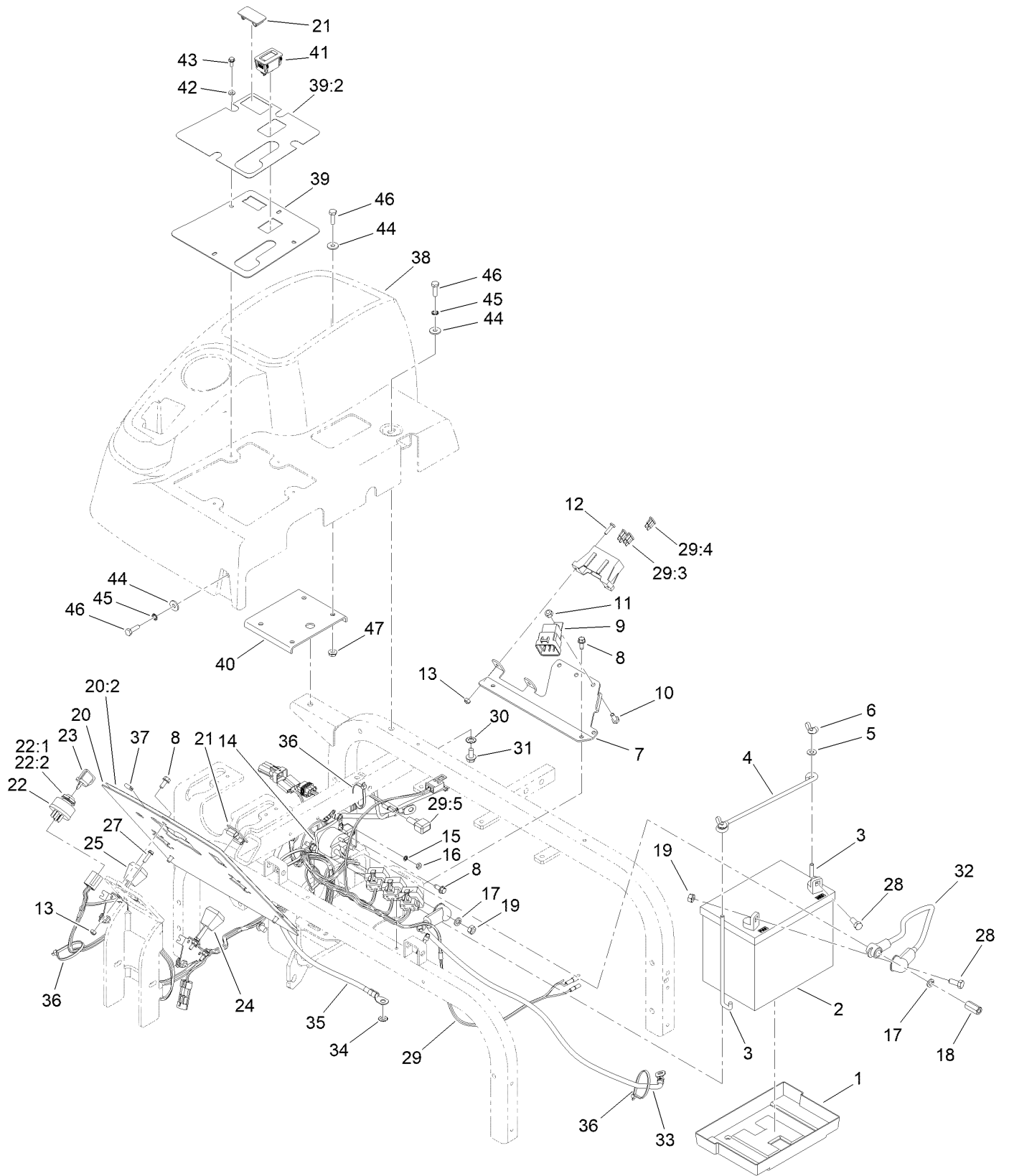
Air Cleaner Assembly No. 93-2190



Air Cleaner Assembly No. 93-2190 (continued)

<i>Ref.</i>	<i>Part Number</i>	<i>Qty.</i>	<i>Description</i>	<i>Ref.</i>	<i>Part Number</i>	<i>Qty.</i>	<i>Description</i>
2	108-3811	1	Filter-Air	4	87-9400	1	Valve-Vacuator
3	94-3652	1	Cover ASM	5	285-17	1	Plug-Pipe
3:1	1-643283	2	Latch-Cleaner, Air				

Electrical and Console Assembly



Electrical and Console Assembly (continued)

<i>Ref.</i>	<i>Part Number</i>	<i>Qty.</i>	<i>Description</i>	<i>Ref.</i>	<i>Part Number</i>	<i>Qty.</i>	<i>Description</i>
1	106948	1	Tray-Battery	25	119-7188	1	Throttle Cable ASM
2	99-7421	1	Battery- Wet, 12V, 300 CCA	27	32105-13	4	Screw-HWH
3	100-6435	2	Post-Battery	28	322-3	2	Screw-HH
4	100-6434	1	Rod-Hold Down, Battery	29	122-1403	1	Harness-Wire
5	3256-22	2	Washer-Flat	29:3	218-578	2	Fuse-Blade, 10 Amp
6	32103-22	2	Nut-Wing	29:4	109101	1	Fuse-Blade, 20 Amp
7	112-1444-01	1	Bracket-Relay	29:5	100-4918	2	Diode
8	32144-10	7	Screw-HWH	30	3255-9	1	Washer-Lock
9	99-7430	3	Relay-Mini	31	32144-14	1	Screw-HWHTF
10	321-3	3	Screw-HH	32	110-3314	1	Cable-Positive, Battery
11	3296-42	3	Nut-Lock, NI	33	110-3315	1	Cable-Positive, Starter
12	3250-13	2	Screw-PPH	34	3255-8	1	Washer-Lock
13	3296-2	6	Nut-Lock, NI	35	54-3093	1	Cable-Battery, Negative
14	28-4210	1	Solenoid	36	3290-378	6	Tie-Cable
15	3254-1	1	Washer-Lock, Int	37	119-2494	1	Seal-Strip
16	3219-14	1	Nut-Hex	38	108-2936	1	Console
17	3253-4	2	Washer-Lock	39	140-0320	1	Lift Panel W/Decal
18	110-3380	1	Nut-Standoff	39:2	108-8484	1	Decal-Lift, Rear
19	3218-13	3	Nut-Jam, Brass	40	108-7995-03	1	Plate-Support, Console
20	137-3388	1	Control Panel ASM	41	120-2244	1	Hourmeter
20:2	137-3387	1	Decal-Dash	42	3256-51	4	Washer-Flat
21	99-7420	2	Plug-Hole	43	3290-321	4	Screw-HWH
22	83-0020	1	Switch-Ignition	44	3256-78	7	Washer-Flat
22:1	218-461	1	Nut-HH	45	3254-8	3	Washer-Lock
22:2	3254-5	1	Washer-Lock	46	321-5	7	Screw-HH
23	63-8360	2	Key-Ignition	47	32128-33	4	Nut-HF
24	119-7178	1	Choke Cable ASM				

Attachments and Accessories

For 08745 Sand Pro 5040 Traction Unit

Product Name	Model/Part
Wheel and Tire Assembly	121-9077
Midmount Toolbar System	08838
Tooth Rake	08751
Spring Rake	08752
Rear Broom	08753
Finish Grader	08754
Manual Blade	08714
Spiker	08755
Drag Mat Carrier System	08756
Hydraulic Switch Kit	08783
Wireless Hourmeter	115-4754
Rear Remote Hydraulic Kit	08781
QAS Nail Drag	08761
QAS Bunker Pump	08765
LED Light Kit	08740
QAS Flex Tooth Rake	08767
Front Lift Frame	08712
Draw Bar Hitch Assembly	110-1375
Smooth Wheel and Tire Assembly	112-0034
Drag Mat Assembly	112-1424
Speed Limiter Kit	110-1371
Spark Arrestor Screen	119-7185
Arm Rest Kit	139-5823
Yellow Hydraulic Cap	107-1576
Yellow Hydraulic Fluid Cap (Tethered)	107-2174
Premium Engine Oil SAE 30 (Drum)	108-1196
Premium Engine Oil SAE 30 (Pail)	108-1197
Infield Pro 5040 Decal Kit	115-5620
PX Hydraulic Fluid (55 Gal)	133-8087
MVP Kit 1000 Hour	44957
PX Hydraulic Fluid (5 Gal)	133-8086
MVP Filter Kit	30035
Variable Orifice Kit	112-1433
Premium All Purpose Grease (Tube)	108-1190

Notes:

Notes:

Notes:



Count on it.