



**Count on it.**

**Parts Catalog**

**Sand Pro® 3040**

**Traction Unit**

Model No. 08743—Serial No. 40000000 and Up



# Ordering Replacement Parts

To order replacement parts, please supply the part number, the quantity, and the description of each part desired.

## Understanding Reference Numbers

Each identified part in an illustration has a reference number. The reference number for a part also appears in the parts list, along with other information about the part.

This catalog uses two special reference number formats, one to indicate parts in a service assembly and another to indicate the quantity of a given part in an illustration.

## Service Assembly Reference Numbers

Parts in service assemblies have reference numbers in the form a:b. The a represents the reference number of the entire service assembly and the b represents a sequential number unique to each part within the service assembly.

For example, a wheel assembly might be identified by reference number 6, the tire by 6:1, the valve by 6:2, and the wheel by 6:3. When you order the assembly identified by reference number 6, you receive all parts identified by reference numbers 6:1, 6:2, and 6:3. However, you may also order any part individually. Reference numbers of this type appear in illustration and in parts lists.

## Reference Numbers Indicating Quantity

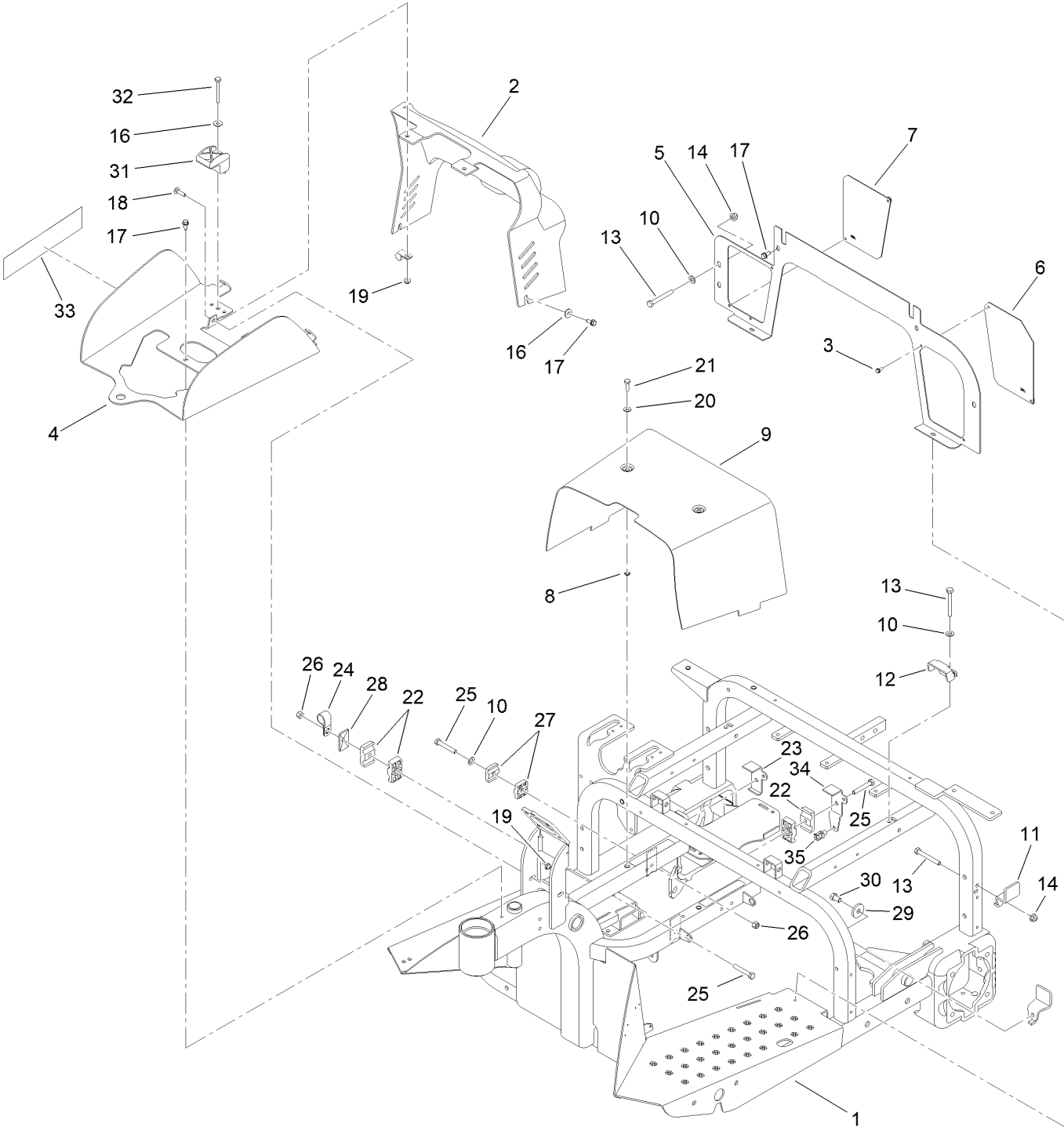
In an illustration, if a reference number indicates more than one part, the reference number has the form nX y. The n represents the quantity of the part, the X is the multiplication symbol, and the y represents the reference number.

For example, in an illustration, the reference number 2X 37 means that two of the parts identified by reference number 37 are indicated.

# Contents

Frame and Shroud Assembly . . . . .	4
Frame Assembly No. 140-0295SP . . . . .	6
Body and Seat Assembly . . . . .	8
Seat Assembly No. 144-1350 . . . . .	10
Fuel System Assembly . . . . .	12
Hydraulic Pump, Tank and Cooler Assembly . . . . .	14
Variable Piston Pump Assembly No. 138-9132 . . . . .	16
Traction Control Assembly . . . . .	18
Rear Lift and Lift Circuit Assembly . . . . .	20
Hydraulic Lift Cylinder Assembly No. 115-5647 . . . . .	22
Hydraulic Valve Assembly No. 121-9070 . . . . .	24
Lift Hydraulic Routing Assembly . . . . .	26
Rear Wheel Assembly . . . . .	28
Hydraulic Motor Assembly No. 108-2947 . . . . .	30
Hydraulic Motor Assembly No. 108-2949 . . . . .	32
Front Wheel Assembly . . . . .	34
Hydraulic Motor Assembly No. 108-2948 . . . . .	36
Steering Assembly . . . . .	38
Steering Box Assembly No. 107-3526 . . . . .	40
Engine Installation Assembly . . . . .	42
Air Cleaner Assembly No. 93-2190 . . . . .	44
Electrical and Console Assembly . . . . .	46
Attachments and Accessories . . . . .	48

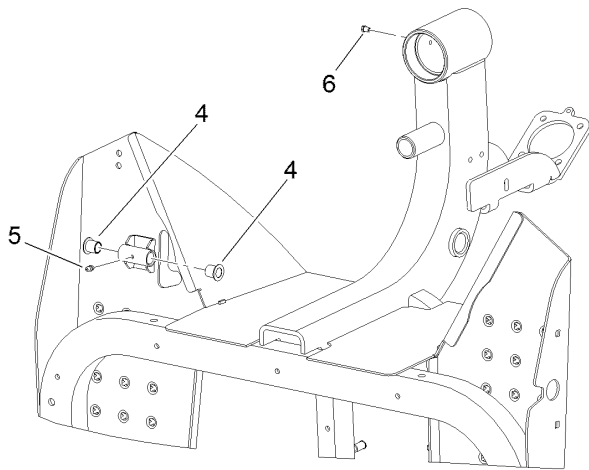
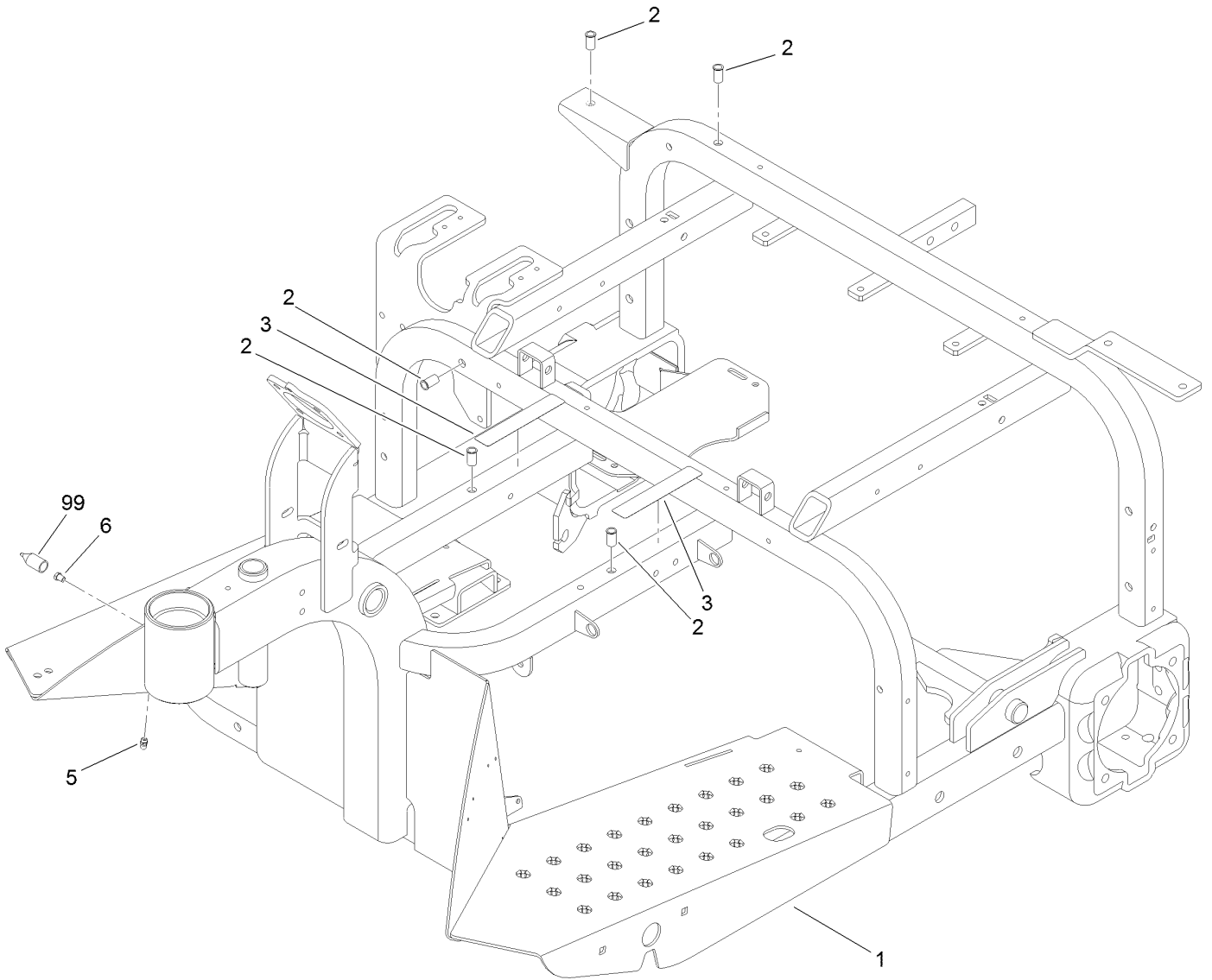
# Frame and Shroud Assembly



## Frame and Shroud Assembly (continued)

<i>Ref.</i>	<i>Part Number</i>	<i>Qty.</i>	<i>Description</i>	<i>Ref.</i>	<i>Part Number</i>	<i>Qty.</i>	<i>Description</i>
1	140-0295SP	1	Frame ASM	19	104-7201	4	Nut-HF, NI
2	108-6898	1	Shroud-Dash	20	3256-1	2	Washer-Flat
3	3290-321	4	Screw-HWH	21	321-5	2	Screw-HH
4	108-6895-01	1	Bracket-Mount, Tank	22	56-7976	6	Clamp-Tube
5	112-1443-01	1	Panel-Front	23	110-1333	1	Bracket-Clamp
6	120-3491-01	1	Screen-Panel, LH	24	2412-4	1	Clamp-R
7	120-3492-01	1	Screen-Panel, RH	25	322-10	4	Screw-HH
8	32115-15	2	Nut-Push	26	3296-29	4	Nut-Lock, NI
9	108-6859-01	1	Shroud-Center	27	56-7973	2	Clamp-Tube
10	3256-23	6	Washer-Plain	28	69-9760	1	Plate-Cover
11	108-7965	2	Clamp-Tank, HYD	29	53-6380	1	Washer-Flat
12	108-7903	1	Clamp-Tank	30	323-34	1	Screw-HH
13	322-12	5	Screw-HH	31	107-4543	2	Clamp
14	104-8300	5	Nut-HF, NI	32	321-18	2	Screw-HH
16	3256-78	4	Washer-Flat	33	108-8420	2	Decal
17	32144-10	7	Screw-HWH	34	110-1332	1	Bracket-Clamp
18	3229-2	2	Screw-CARR	35	32180-030	1	Clip-Tie

# Frame Assembly No. 140-0295SP

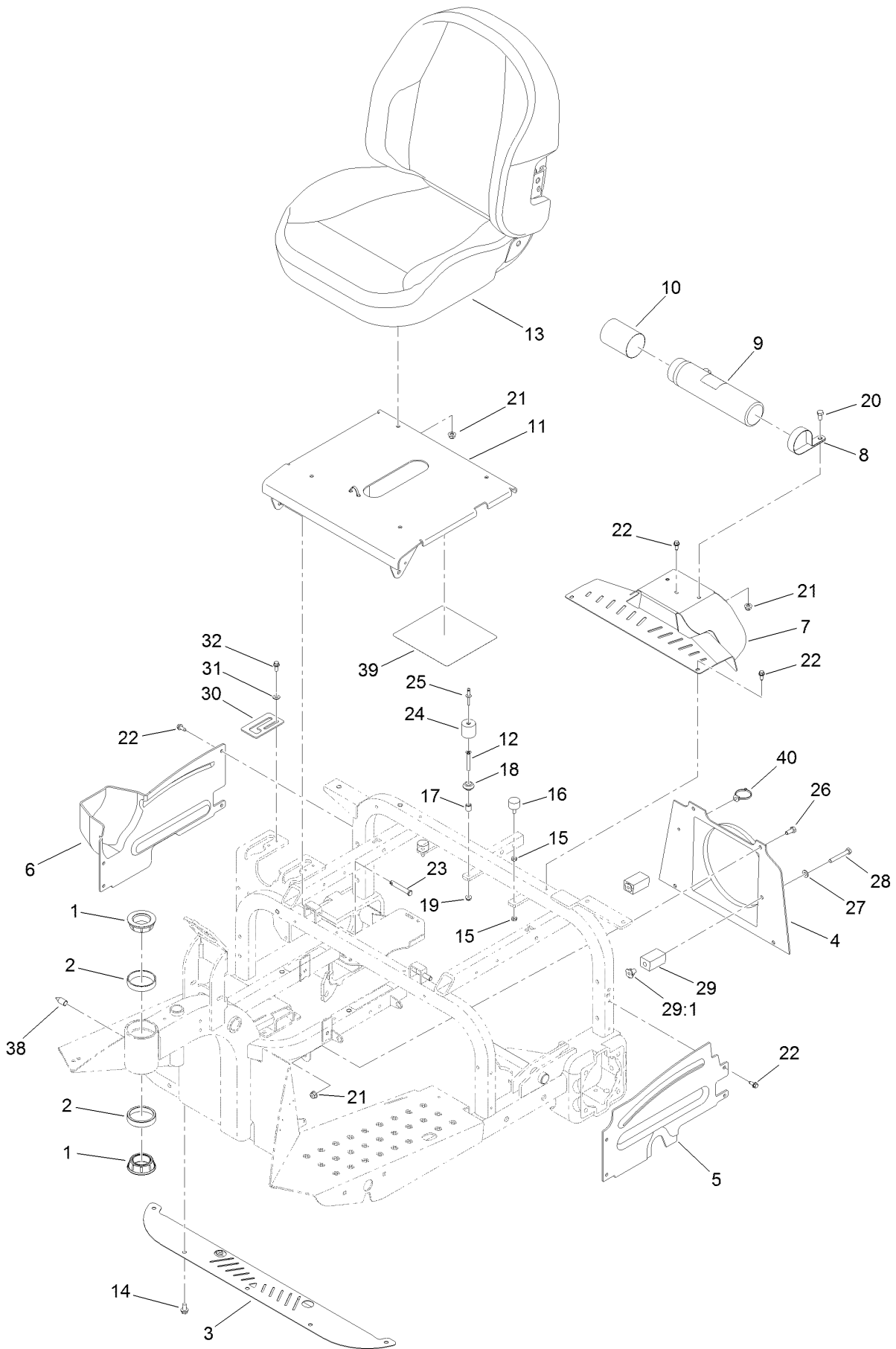


# Frame Assembly No. 140-0295SP (continued)

<i>Ref.</i>	<i>Part Number</i>	<i>Qty.</i>	<i>Description</i>	<i>Ref.</i>	<i>Part Number</i>	<i>Qty.</i>	<i>Description</i>
1		1	Frame ASM ●	5	302-58	1	Fitting-Straight
2	32148-11	5	Nut-Clinch	6	107-1997	1	Fitting-Grease
3	93-7272	2	Decal-Warning	99	107-1998	1	Nozzle-Grease
4	256-219	2	Bushing				

● Not serviced separately

# Body and Seat Assembly

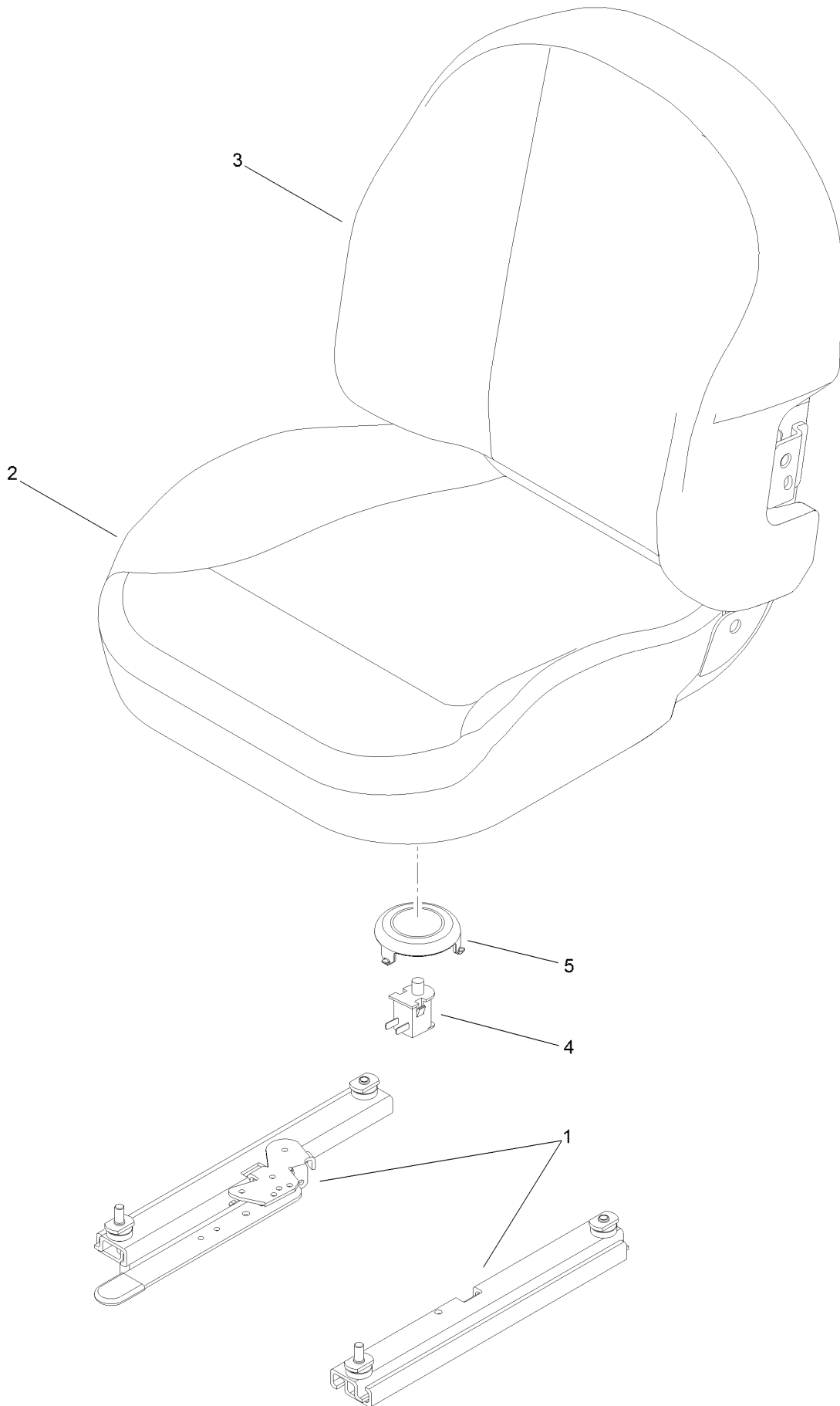




## Body and Seat Assembly (continued)

<i>Ref.</i>	<i>Part Number</i>	<i>Qty.</i>	<i>Description</i>	<i>Ref.</i>	<i>Part Number</i>	<i>Qty.</i>	<i>Description</i>
1	107-7590	2	Cup-Bearing	19	104-7201	1	Nut-HF, NI
2	107-7589	2	Cone-Bearing (W/ Seal)	20	322-2	2	Screw-HH
3	140-0262-0P	1	Panel-Cooler	21	104-8300	10	Nut-HF, NI
4	140-0263	1	Shroud-Fan	22	32144-10	11	Screw-HWH
5	108-6856	1	Shroud-Wheel, LH	23	112-7153	2	Pin
6	108-6855	1	Shroud-Wheel, RH	24	99-7830	1	Receptical-Rubber
7	121-9081-01	1	Cover-Rear	25	3290-412	1	Rivet-Blind
8	2412-133	2	Clamp-R	26	322-3	4	Screw-HH
9	104-7050	1	Tube-Manual	27	3256-23	2	Washer-Plain
10	104-7048	1	Cap-Housing	28	322-11	2	Screw-HH
11	144-1375	1	Base-Seat	29	85-9550	2	Rubber Clamp ASM
12	363-1571	1	Screw-PFH	29:1	85-9670	1	Nut-T
13	144-1350	1	Seat ASM	30	108-7941	1	Plate-Guide, Lever
14	32144-14	5	Screw-HWHTF	31	3256-1	2	Washer-Flat
15	3218-1	4	Nut-Jam	32	3234-33	2	Screw-HHF
16	1-523420	2	Bumper	38	107-1998	1	Nozzle-Grease
17	609588	1	Spacer	39	138-9101	1	Decal-Service
18	99-7833	1	Post-Holding	40	32180-088	1	Clip-Fir Tree W/Tie

# Seat Assembly No. 144-1350

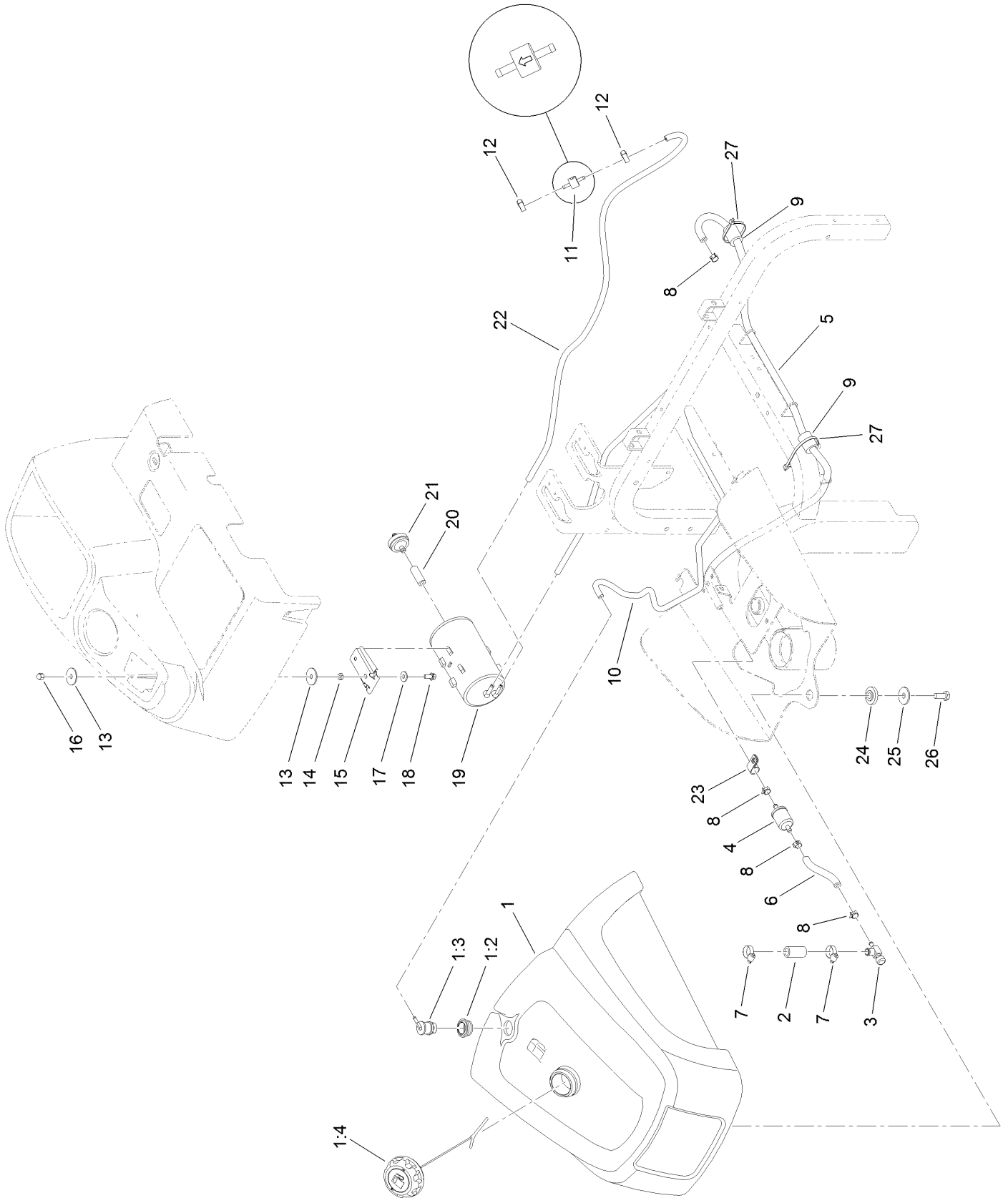


## Seat Assembly No. 144-1350 (continued)

<i>Ref.</i>	<i>Part Number</i>	<i>Qty.</i>	<i>Description</i>
1	144-7068	1	Track ASM
2	144-7069	1	Cushion Cover
3	144-7070	1	Back Cover

<i>Ref.</i>	<i>Part Number</i>	<i>Qty.</i>	<i>Description</i>
4	82-2190	1	Switch-Bail
5	140-3468	1	Cap-Switch, Actuator

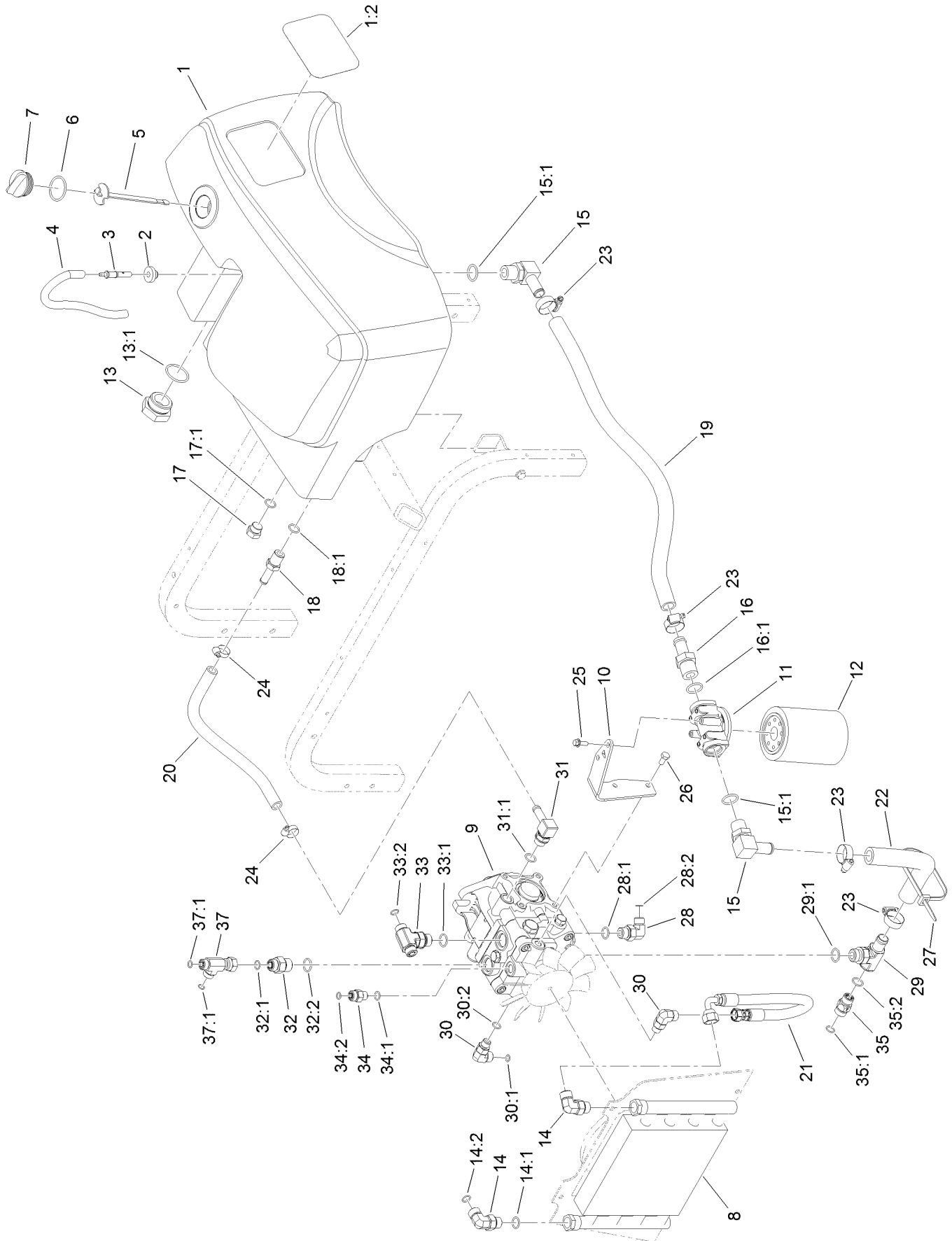
# Fuel System Assembly



## Fuel System Assembly (continued)

<i>Ref.</i>	<i>Part Number</i>	<i>Qty.</i>	<i>Description</i>	<i>Ref.</i>	<i>Part Number</i>	<i>Qty.</i>	<i>Description</i>
1	144-1369	1	Fuel Tank ASM	13	3256-57	2	Washer-Flat
1:2	114-0284	1	Grommet	14	3218-1	1	Nut-Jam
1:3	114-0285	1	Valve-Rollover	15	114-0292	1	Bracket-Canister, Carbon
1:4	126-1789	1	Cap-Fuel, Ratcheting	16	32111-7	1	Nut-Cap
2	110-3371	1	Hose-Fuel	17	3256-78	1	Washer-Flat
3	83-1390	1	Valve-Shut-Off, Fuel	18	3234-33	1	Screw-HHF
4	94-2690	1	Filter-Fuel	19	127-8685	1	Canister-Carbon
5	110-3372	1	Hose-Fuel	20	106-5317	1	Hose-Fuel
6	109-0660	1	Hose-Fuel	21	115-7854	1	Filter-Fuel, Inline
7	2412-36	2	Clamp-Hose	22	117-9569	1	Hose-Fuel
8	2412-98	4	Clamp-Hose	23	92-6064	1	Clamp-R
9	38-3400	2	Guard-Rubber	24	240-11	1	Bushing-Flange
10	117-9568	1	Hose-Fuel	25	63-8410	1	Washer
11	133-8499	1	Valve-Check, Vacuum	26	323-5	1	Screw-HH
12	2412-108	2	Clamp-Worm	27	3290-379	1	Tie-Cable

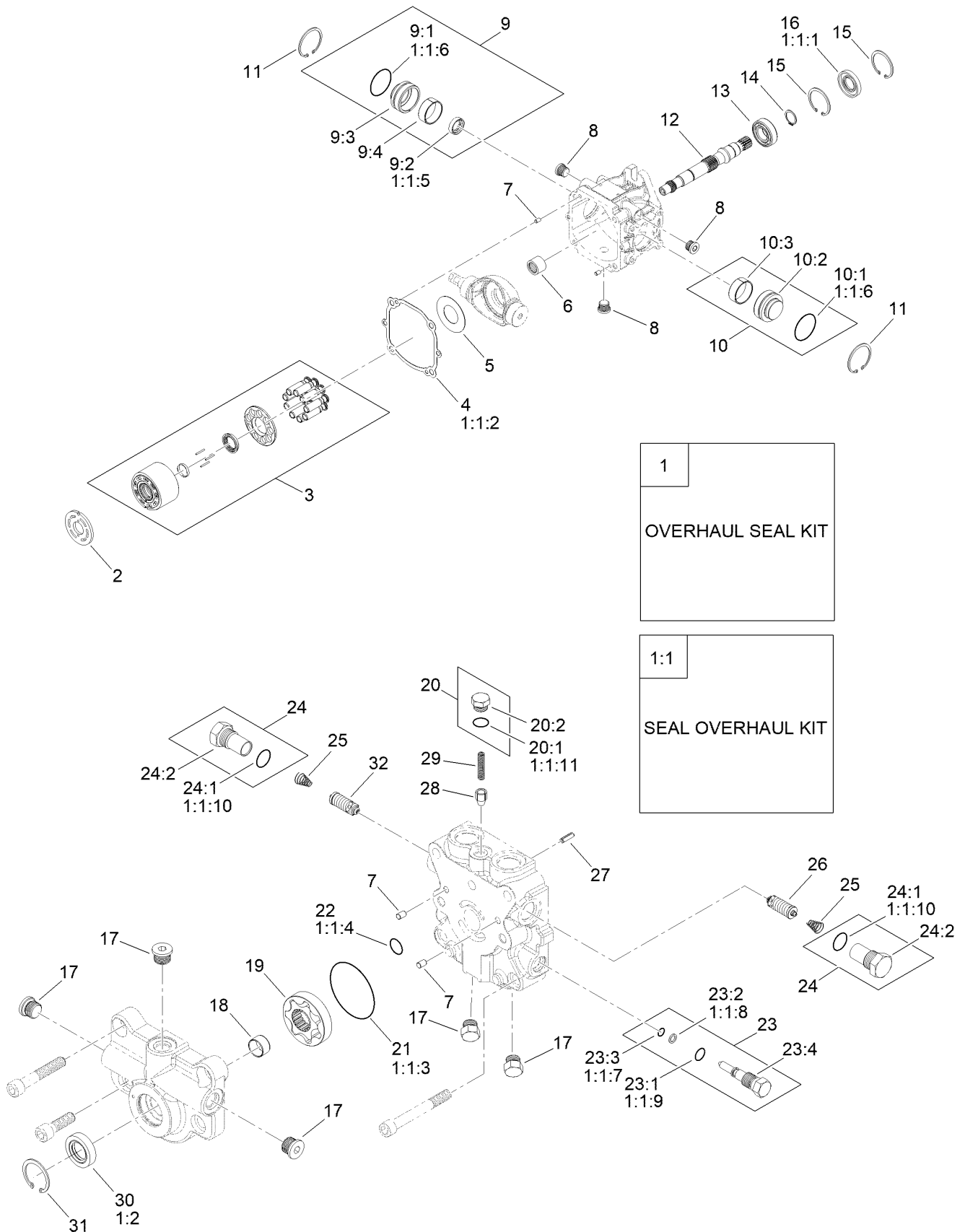
# Hydraulic Pump, Tank and Cooler Assembly



# Hydraulic Pump, Tank and Cooler Assembly (continued)

<i>Ref.</i>	<i>Part Number</i>	<i>Qty.</i>	<i>Description</i>	<i>Ref.</i>	<i>Part Number</i>	<i>Qty.</i>	<i>Description</i>
1	140-0319	1	HYD Tank W/Decal	23	2412-129	4	Clamp-Hose
1:2	108-8452	1	Decal-Logo	24	2412-36	2	Clamp-Hose
2	46-6560	1	Bushing	25	3234-4	2	Screw-HHF
3	110-1372	1	Fitting-Vent, Tank	26	33114-016	2	Screw-HH
4	75-4704	1	Hose-Fuel	27	3290-378	5	Tie-Cable
5	110-8162	1	Dipstick	28	340-18	1	Fitting-HYD, 90 DEG
6	237-101	1	O-Ring	28:1	237-79	1	O-Ring
7	93-7498	1	Plug-Plastic	28:2	237-22	1	O-Ring
8	108-8457	1	Cooler-Oil	29	140-0344	1	Fitting-Tee
9	138-9132	1	Pump-Piston, Variable	29:1	237-80	1	O-Ring
10	140-0345	1	Bracket-Filter, Mount	30	340-77	2	Fitting-Elbow, 90 DEG
11	68-8990	1	Head-Filter	30:1	237-22	1	O-Ring
12	54-0110	1	Filter-Oil, Transmission	30:2	237-42	1	O-Ring
13	108-8468	1	Plug-HH	31	108-5316	1	Fitting-Elbow, 90 DEG
13:1	237-101	1	O-Ring	31:1	237-79	1	O-Ring
14	340-98	2	Fitting-Elbow, 90 DEG	32	340-6	1	Fitting-Straight
14:1	237-79	1	O-Ring	32:1	237-30	1	O-Ring
14:2	237-30	1	O-Ring	32:2	237-80	1	O-Ring
15	353-987	2	Fitting-Elbow, 90	33	130-8775	1	Fitting-HYD
15:1	237-81	1	O-Ring	33:1	237-80	1	O-Ring
16	354-73	1	Fitting	33:2	237-30	2	O-Ring
16:1	237-81	1	O-Ring	34	100-7210	1	Check Valve
17	353-550	1	Plug-HYD, HH	34:1	237-42	1	O-Ring
17:1	237-79	1	O-Ring	34:2	237-22	1	O-Ring
18	354-121	1	Fitting-STR	35	140-0335	1	Fitting-Check
18:1	237-79	1	O-Ring	35:1	237-30	1	O-Ring
19	140-0328	1	Hose - HYD, LP	35:2	237-79	1	O-Ring
20	140-0265	1	Hose-Return	37	340-115	1	Fitting-Tee
21	121-1583	1	Hose-HYD	37:1	237-22	2	O-Ring
22	140-0264	1	Hose-Suction				

# Variable Piston Pump Assembly No. 138-9132



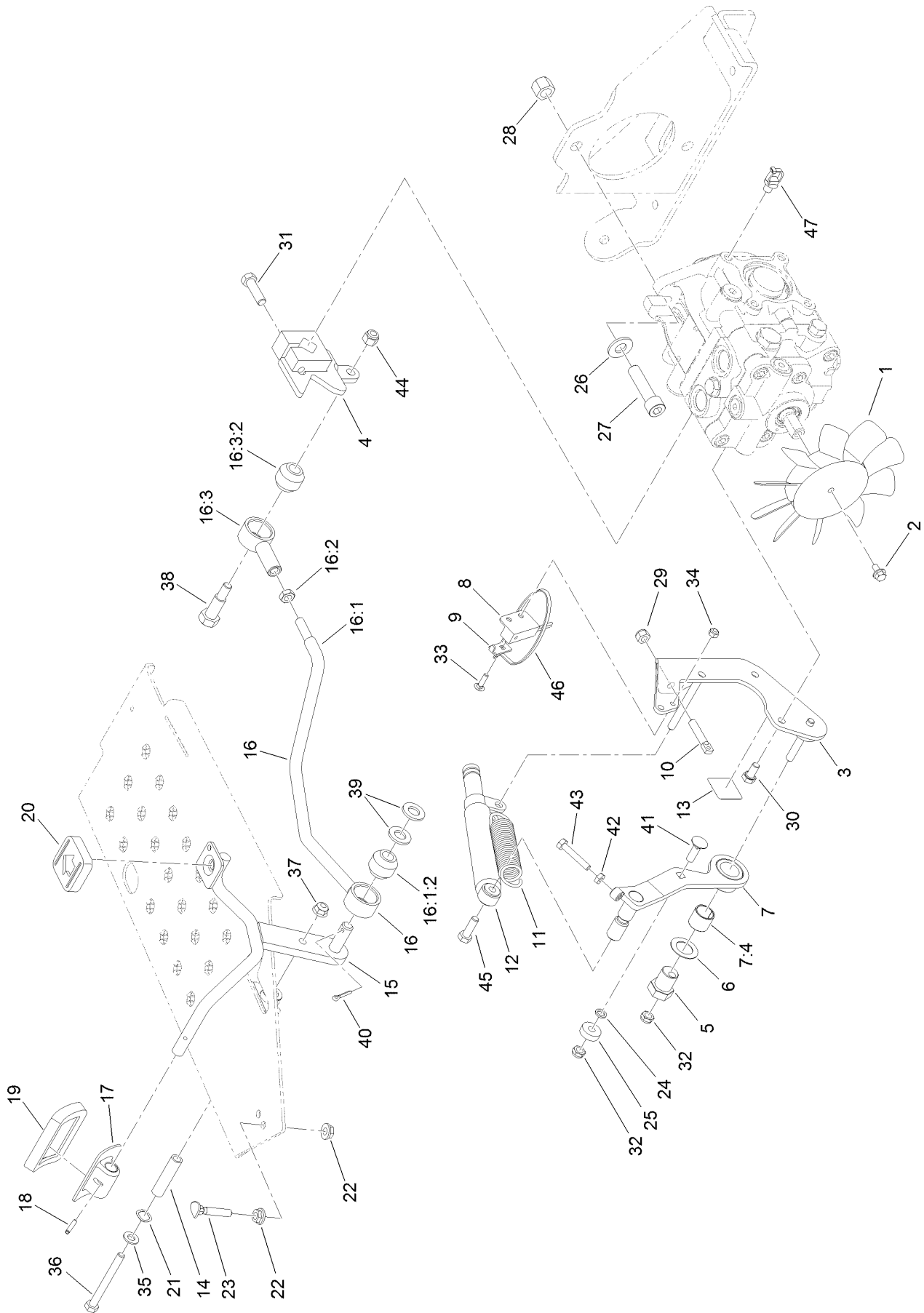


# Variable Piston Pump Assembly No. 138-9132 (continued)

<i>Ref.</i>	<i>Part Number</i>	<i>Qty.</i>	<i>Description</i>	<i>Ref.</i>	<i>Part Number</i>	<i>Qty.</i>	<i>Description</i>
1	144-1389	1	Overhaul Seal Kit	11	136-1020	2	Ring-Retaining
1:1	136-1010	1	Seal Overhaul Kit	12	144-1390	1	Shaft
1:1:1	136-1021	1	Seal-Lip, Shaft	13	136-1017	1	Bearing-Ball
1:1:2	136-1023	1	Gasket-Cap, End	14	136-1018	1	Ring-Retaining
1:1:3	136-1031	1	O-Ring	15	136-1019	2	Ring-Retaining
1:1:4	136-1032	1	O-Ring	16	136-1021	1	Seal-Lip, Shaft
1:1:5		1	Seal-Lip, Journal Bearing ●	17	136-1027	5	Plug ASM
1:1:6		2	O-Ring, Journal Bearing ●	18	136-1030	1	Bearing-Journal
1:1:7		1	O Ring-Valve, Bypass ●	19	136-1029	1	Gerotor ASM
1:1:8		1	Ring-Back Up ●	20	136-1028	1	Plug ASM
1:1:9		1	O Ring-Valve, Bypass ●	20:1		1	O-Ring ●
1:1:10		2	O Ring-Plug ●	20:2		1	Plug ●
1:1:11		1	O Ring-Plug ●	21	136-1031	1	O-Ring
1:2	144-1385	1	Seal-Lip	22	136-1032	1	O-Ring
2	144-1384	1	Plate-Valve, CCW	23	136-1037	1	Bypass Valve ASM
3	136-1011	1	Cylinder Block Kit	23:1		1	O-Ring ●
4	136-1023	1	Gasket-Cap, End	23:2		1	Back Up Ring ●
5	136-1013	1	Plate-Thrust	23:3		1	O-Ring ●
6	136-1022	1	Bearing-Needle	23:4		1	Plug ●
7	136-1024	4	Pin	24	136-1025	2	Plug ASM
8	74-9450	3	Plug	24:1		1	O-Ring ●
9	136-1014	1	Journal Bearing Carrier ASM	24:2		1	Plug ●
9:1		1	O-Ring ●	25	136-1035	2	Spring
9:2		1	Seal-Lip ●	26	110-6343	1	Valve-Scr
9:3		1	Body ●	27	131-3800	1	Pin-Slotted
9:4		1	Race-Inner ●	28	136-1033	1	Cone-Valve, Relief
10	136-1015	1	Journal Bearing Carrier ASM	29	144-1387	1	Spring
10:1		1	O-Ring ●	30	144-1385	1	Seal-Lip
10:2		1	Body ●	31	144-1386	1	Ring-Retaining
10:3		1	Race-Inner ●	32	144-1388	1	Valve-Scr (230 Bar/3335 PSI)

● Not serviced separately

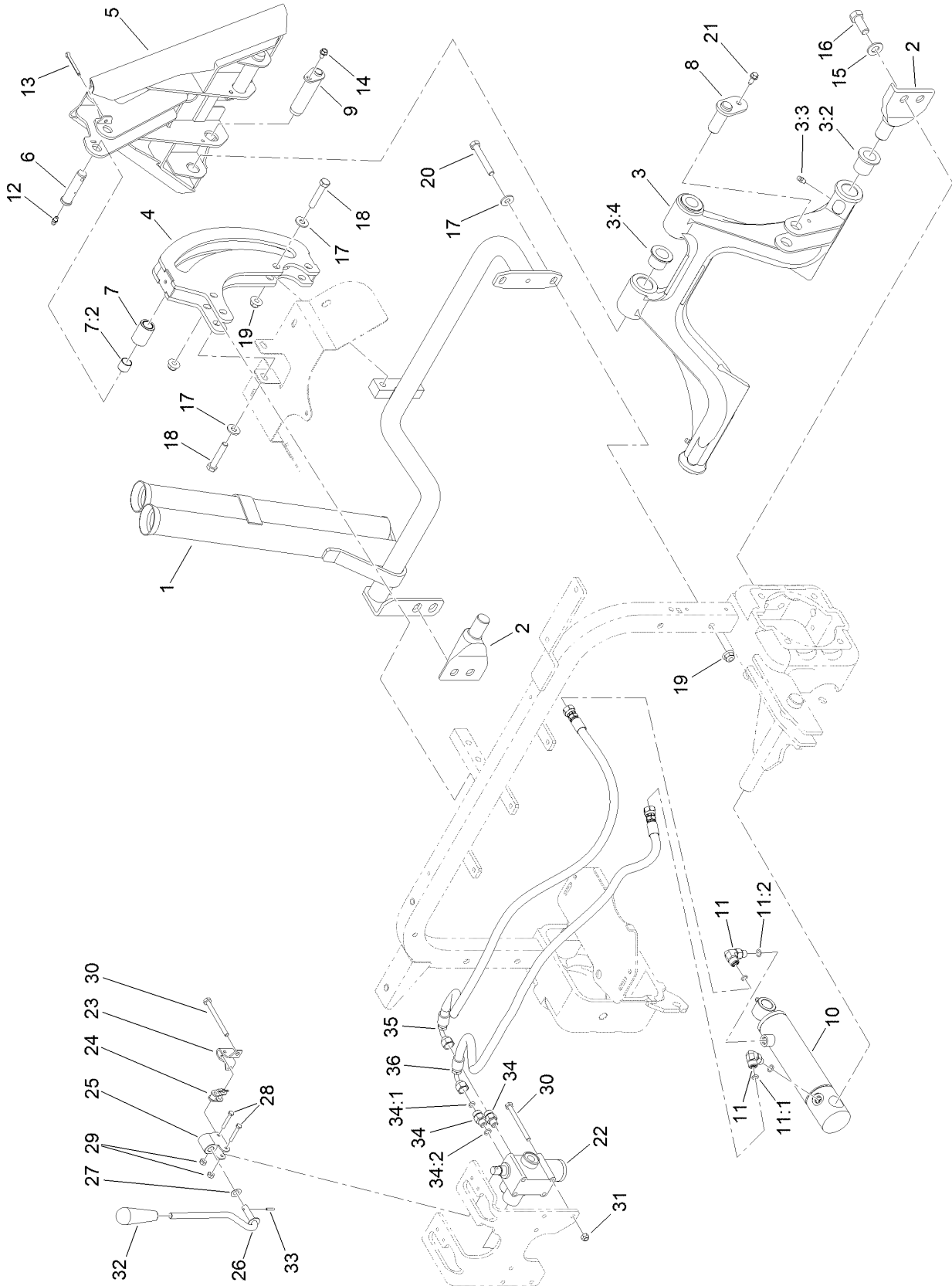
# Traction Control Assembly



## Traction Control Assembly (continued)

<i>Ref.</i>	<i>Part Number</i>	<i>Qty.</i>	<i>Description</i>	<i>Ref.</i>	<i>Part Number</i>	<i>Qty.</i>	<i>Description</i>
1	140-0258	1	Fan-Cooling, Pump	21	108473	1	Washer-Wave
2	126-2713	1	Screw-HHF	22	32128-20	2	Nut-HF
3	140-0257-0P	1	Plate-Pump	23	17-9420	1	Screw-Handle
4	140-0287	1	Cam-Input, Pump	24	75-5470	1	Spacer-Bearing
5	93-2111	1	Stud-Traction	25	251-259	1	Bearing-Ball
6	3-6498	1	Washer-Thrust	26	87-7270	2	Washer-Thrust
7	140-0291	1	Neutral Arm ASM	27	3274-5	2	Screw-HSH
7:4	94-9609	1	Bushing-Straight	28	3296-23	2	Nut-Lock, NI
8	120-6385	1	Sensor-Ferrous Proximity, No	29	3296-4	1	Nut-Lock
9	100-4872	1	Plate-Switch, Neutral	30	33114-016	3	Screw-HH
10	18-6380	1	Pin-Adjustment, Steering	31	323-7	1	Screw-HH
11	115-4712	1	Spring-Extension	32	3296-47	2	Nut-Lock,NI
12	76-8870	1	Damper-Lever	33	3229-20	1	Screw-CARR
13	93-9051	1	Decal-Bolt, Eccentric	34	3296-2	1	Nut-Lock, NI
14	85-8960	1	Spacer	35	3256-23	1	Washer-Plain
15	108-5498-01	1	Pedal	36	322-14	1	Screw-HH
16	117-9564	1	Traction Rod ASM	37	104-8300	1	Nut-HF, NI
16:1	115-5626	1	Rod ASM	38	117-4698	1	Screw-Shoulder, HH
16:1:2	23-2270	1	Bushing-Rubber	39	106-9888	2	Washer-Flat
16:2	3220-3	1	Nut-HJ	40	3272-10	1	Pin-Cotter
16:3	115-5623	1	Isolated Rod End ASM	41	3230-2	1	Bolt-CARR
16:3:2	23-2270	1	Bushing-Rubber	42	3218-1	1	Nut-Jam
17	117-9507	1	Pedal-Accelerator	43	321-43	1	Capscrew
18	32121-45	1	Pin-Spring	44	3296-39	1	Nut-Lock, NI
19	74-9100	1	Pad-Pedal, Forward	45	116-0648	1	Screw-HH, Thread Locking
20	74-9110	1	Pad-Pedal, Reverse	46	3290-379	2	Tie-Cable
				47	32180-030	1	Clip-Tie

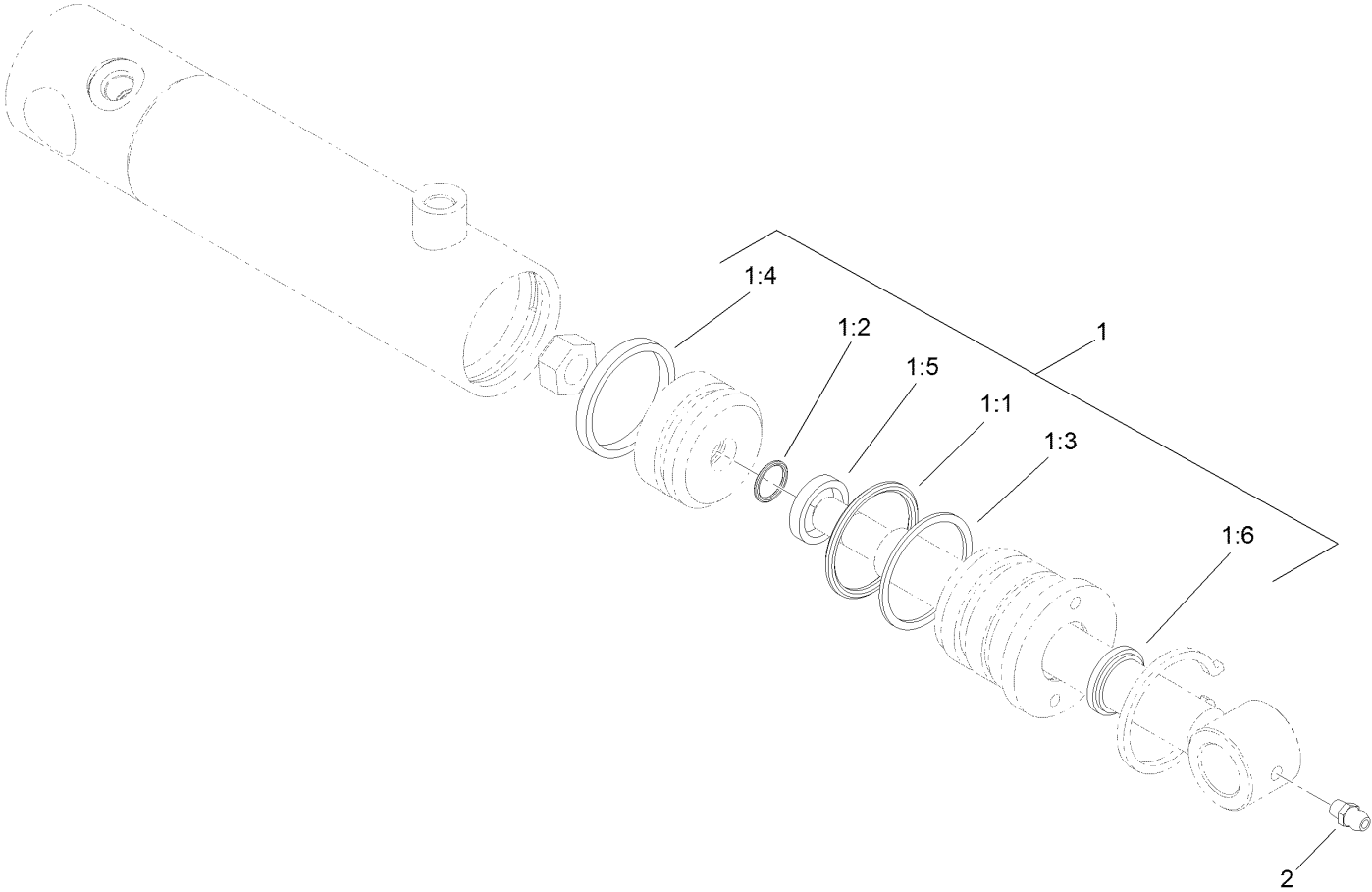
# Rear Lift and Lift Circuit Assembly



## Rear Lift and Lift Circuit Assembly (continued)

<i>Ref.</i>	<i>Part Number</i>	<i>Qty.</i>	<i>Description</i>	<i>Ref.</i>	<i>Part Number</i>	<i>Qty.</i>	<i>Description</i>
1	120-3465-03	1	Frame-Hitch	17	3256-3	6	Washer-Flat
2	115-5618	2	Pivot-Hub	18	323-10	4	Screw-HH
3	120-3457	1	Rear Hitch ASM	19	104-8301	6	Nut-HF, NI
3:2	95-3577	2	Bushing	20	323-12	2	Screw-HH
3:3	302-5	4	Fitting-Grease	21	32144-10	1	Screw-HWH
3:4	33-3090	4	Bushing	22	121-9070	1	Valve ASM
4	110-1368-03	1	Roller Plate ASM	23	88-8480	1	Bracket-Pivot
5	130-7879	1	Adapter Frame ASM	24	2710-20	1	Link-Offset
6	108-2282	1	Pin-Clevis	25	125-1944	1	Pivot-Hinge
7	108-5472	1	Tube ASM	26	108-7942	1	Lever-Rear
7:2	256-311	2	Bushing-Split	27	3290-477	1	Washer-Curved
8	115-5648	1	Pin-Flag	28	3290-360	2	Screw-HH
9	138-6484	2	Pin	29	3296-2	2	Nut-Lock, NI
10	115-5647	1	HYD Lift Cylinder ASM	30	321-23	3	Screw-HH
11	340-132	2	Fitting-Elbow, 90 DEG	31	3296-8	3	Nut-Hex
11:1	237-78	1	O-Ring	32	98-0152	1	Knob-Tapered
11:2	237-21	1	O-Ring	33	32121-73	1	Pin-Roll
12	302-5	1	Fitting-Grease	34	340-92	2	Fitting-Straight
13	3272-23	1	Pin-Cotter	34:1	237-78	1	O-Ring
14	137-4795	2	Screw	34:2	237-21	1	O-Ring
15	3256-26	4	Washer-Flat	35	95-8837	1	Hose ASM
16	325-5	4	Screw-HH	36	100-3833	1	Hose-HYD

# Hydraulic Lift Cylinder Assembly No. 115-5647

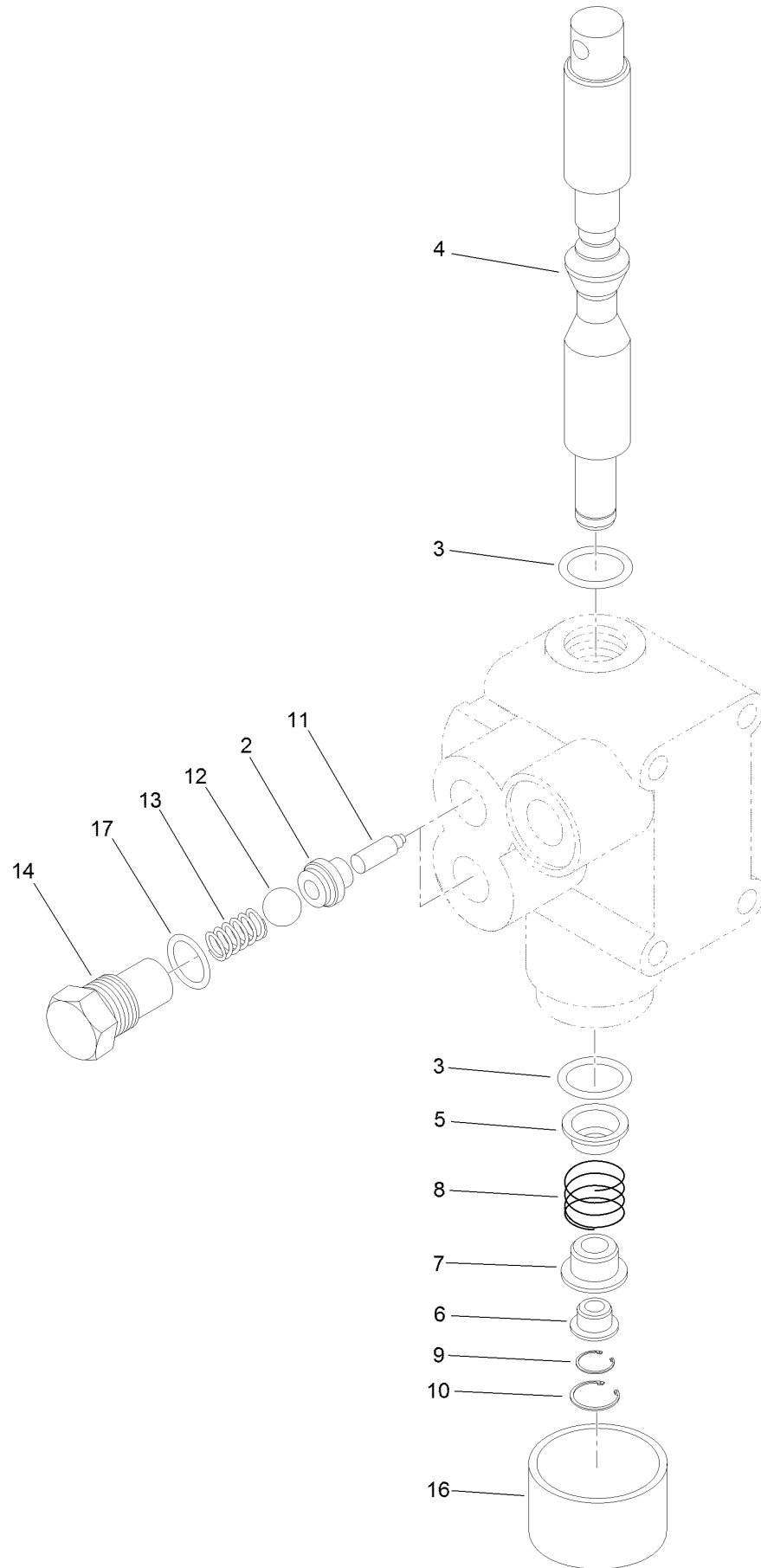


# Hydraulic Lift Cylinder Assembly No. 115-5647 (continued)

<i>Ref.</i>	<i>Part Number</i>	<i>Qty.</i>	<i>Description</i>	<i>Ref.</i>	<i>Part Number</i>	<i>Qty.</i>	<i>Description</i>
1	108-4597	1	Seal Kit	1:4		1	Seal-Psp ●
1:1		1	O-Ring ●	1:5		1	Seal-Rod ●
1:2		1	O-Ring ●	1:6		1	Seal-Dust ●
1:3		1	Ring-Back Up ●	2	302-5	1	Fitting-Grease

● Not serviced separately

# Hydraulic Valve Assembly No. 121-9070

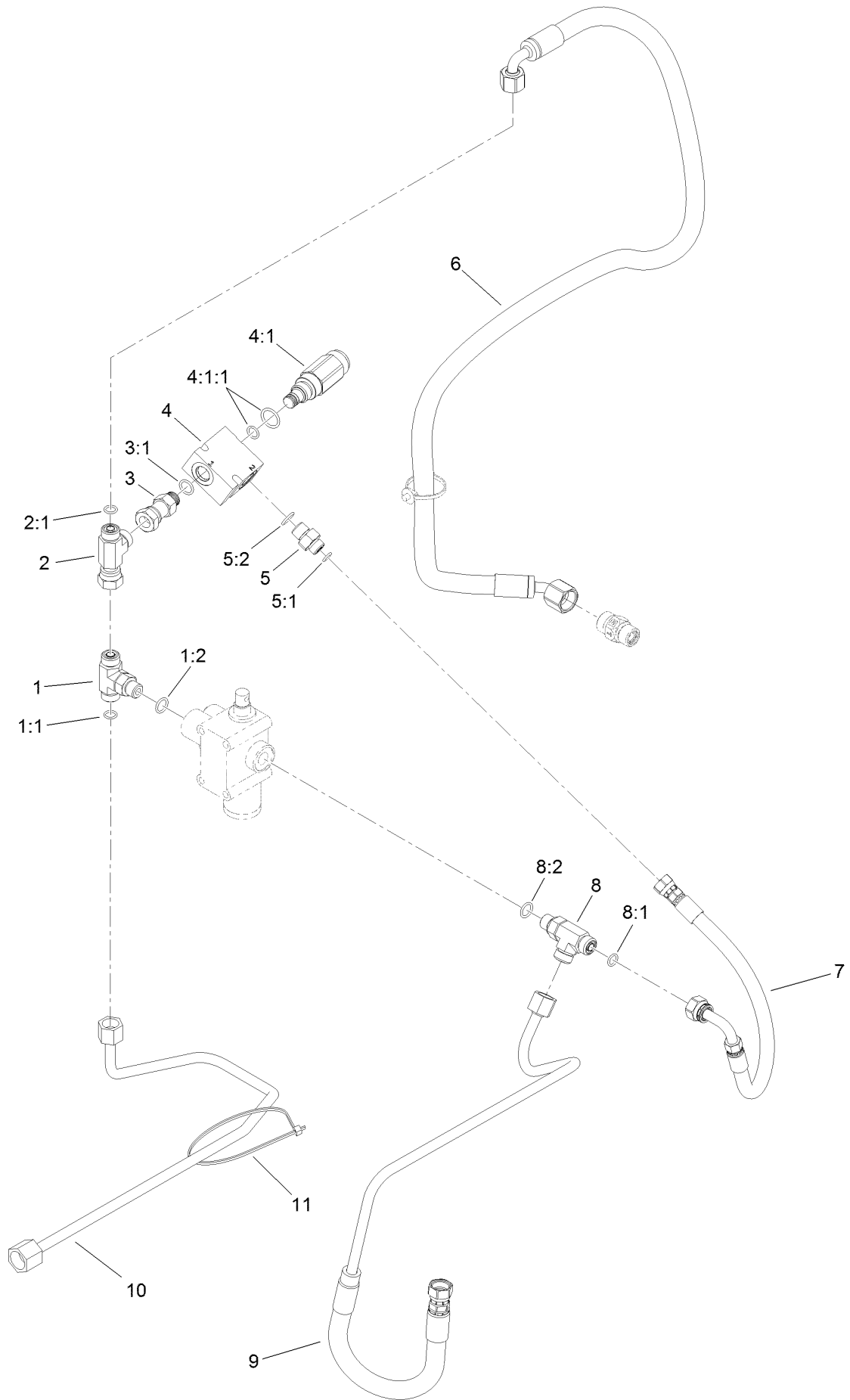




# Hydraulic Valve Assembly No. 121-9070 (continued)

<i>Ref.</i>	<i>Part Number</i>	<i>Qty.</i>	<i>Description</i>	<i>Ref.</i>	<i>Part Number</i>	<i>Qty.</i>	<i>Description</i>
2	22-8370	2	Seat-Valve	10	22-8490	1	Ring-Snap
3	22-8500	2	O-Ring	11	22-8360	2	Pin
4	22-8420	1	Spool	12	22-8350	2	Ball
5	22-8380	1	Retainer	13	22-8340	2	Spring
6	22-8400	1	Spacer	14	22-8330	2	Plug
7	22-8390	1	Retainer	16	138-2229	1	Cap
8	22-8410	1	Spring	17	237-42	2	O-Ring
9	22-8480	1	Ring-Snap				

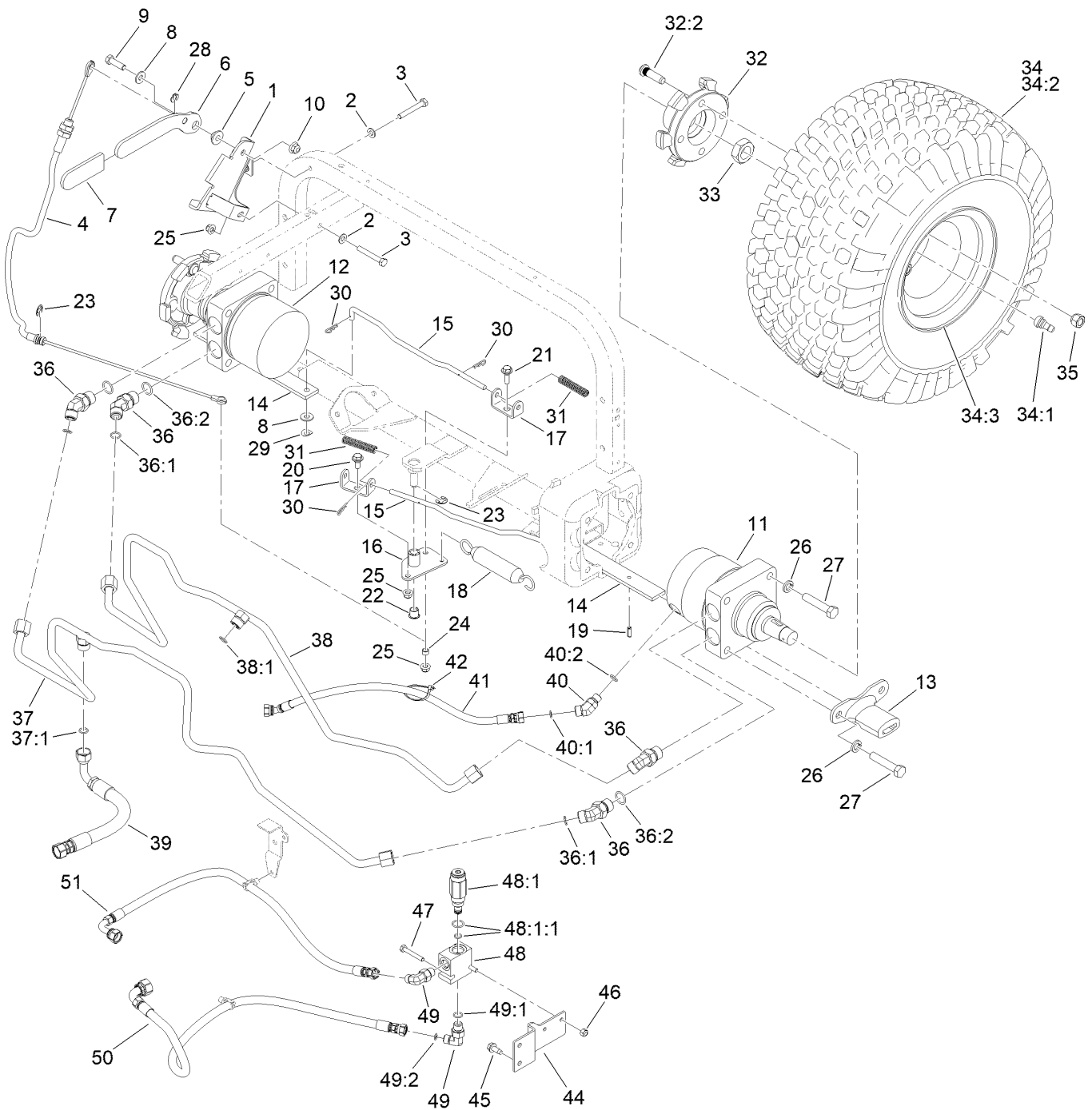
# Lift Hydraulic Routing Assembly



## Lift Hydraulic Routing Assembly (continued)

<i>Ref.</i>	<i>Part Number</i>	<i>Qty.</i>	<i>Description</i>	<i>Ref.</i>	<i>Part Number</i>	<i>Qty.</i>	<i>Description</i>
1	340-94	1	Adapter	5:1	237-21	1	O-Ring
1:1	237-22	2	O-Ring	5:2	237-42	1	O-Ring
1:2	237-42	1	O-Ring	6	144-1367	1	HYD Hose ASM
2	340-115	1	Fitting-Tee	7	115-0383	1	Hose ASM
2:1	237-22	2	O-Ring	8	340-86	1	Fitting-Tee
3	104-3779	1	Connector-Swivel, Straight	8:1	237-22	2	O-Ring
3:1	237-42	1	O-Ring	8:2	237-42	1	O-Ring
4	144-1399	1	Valve-Relief	9	140-0293	1	Hydraulic Conductor ASM
4:1	144-7050	1	Valve-Relief	10	140-0271	1	Hydraulic Tube ASM
4:1:1	105-9156	1	Seal Kit	11	3290-379	4	Tie-Cable
5	340-1	1	Fitting-Straight				

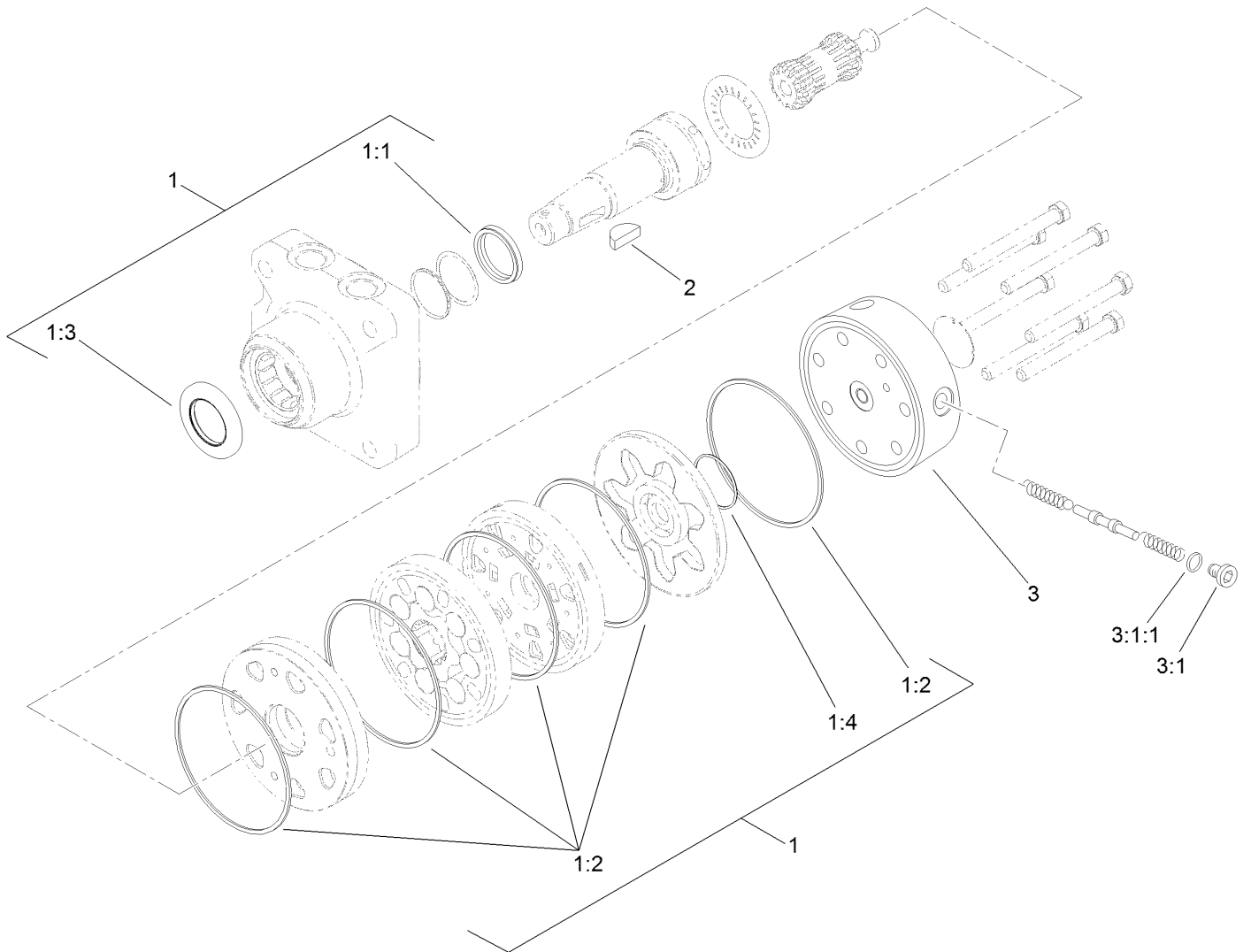
# Rear Wheel Assembly



## Rear Wheel Assembly (continued)

<i>Ref.</i>	<i>Part Number</i>	<i>Qty.</i>	<i>Description</i>	<i>Ref.</i>	<i>Part Number</i>	<i>Qty.</i>	<i>Description</i>
1	121-2520	1	Bracket-Lever, Brake	32:2	10-6830	4	Stud-Type, Drive
2	3256-23	2	Washer-Plain	33	26-3790	2	Nut-Lock
3	322-11	2	Screw-HH	34	95-0621	2	Wheel And Tire ASM
4	108-7913	1	Cable-Brake, Park	34:1	5108	1	Valve
5	108-7994	1	Bushing-Pivot, Lever	34:2	85-8290	1	Tire-2Ply, Knobby
6	108-7991-03	1	Lever-Brake	34:3	94-6116	1	Wheel-Rear
7	21-1880	1	Grip-Handle	35	242-50	8	Nut-Lug
8	3256-3	3	Washer-Flat	36	340-89	4	Fitting-HYD, 45 DEG
9	323-7	1	Screw-HH	36:1	237-30	1	O-Ring
10	104-8301	1	Nut-HF, NI	36:2	237-80	1	O-Ring
11	108-2947	1	HYD Motor ASM (CCW)	37	108-8406	1	Tube ASM
12	108-2949	1	HYD Motor ASM (CW)	37:1	237-30	1	O-Ring
13	125-1967	2	Bracket-Brake, Park	38	110-1323	1	Tube ASM
14	108-7986-0P	2	Bar-Latch, Parking	38:1	237-30	1	O-Ring
15	108-7987	2	Link-Latch, Parking	39	110-1322	1	HYD Hose ASM
16	108-7979-0P	1	Bellcrank	40	340-87	1	Fitting-Elbow, 45 DEG
17	114-0631	2	Clevis-Latch, Parking	40:1	237-22	1	O-Ring
18	66-4270	1	Spring-Extension	40:2	237-42	1	O-Ring
19	32121-11	2	Pin-Roll	41	140-0269	1	HYD Hose ASM
20	19-1470	1	Screw-Shoulder	42	3290-379	1	Tie-Cable
21	19-1471	1	Screw-Shoulder	44	108-8460-01	1	Bracket-Valve
22	256-257	2	Bushing-Nyliner	45	32144-11	2	Screw-HWH
23	32120-47	2	Ring-Retaining, External	46	3296-42	2	Nut-Lock, NI
24	108-7983	1	Bushing-Cable	47	321-10	2	Screw-HH
25	104-8300	4	Nut-HF, NI	48	144-1391	1	Valve-Relief
26	3253-7	8	Washer-Lock	48:1	144-1398	1	Valve-Relief
27	325-10	8	Screw-HH	48:1:1	105-9156	1	Seal Kit
28	32151-47	1	Ring-Retaining	49	340-82	2	Fitting-Elbow, 90 DEG
29	121-4605	2	Washer-Spring	49:1	237-42	1	O-Ring
30	3290-307	4	Pin-Cotter	49:2	237-21	1	O-Ring
31	107-3376	2	Spring-Compression	50	144-1394	1	HYD Hose ASM
32	144-1373	2	Wheel Hub ASM	51	144-1395	1	HYD Hose ASM

# Hydraulic Motor Assembly No. 108-2947

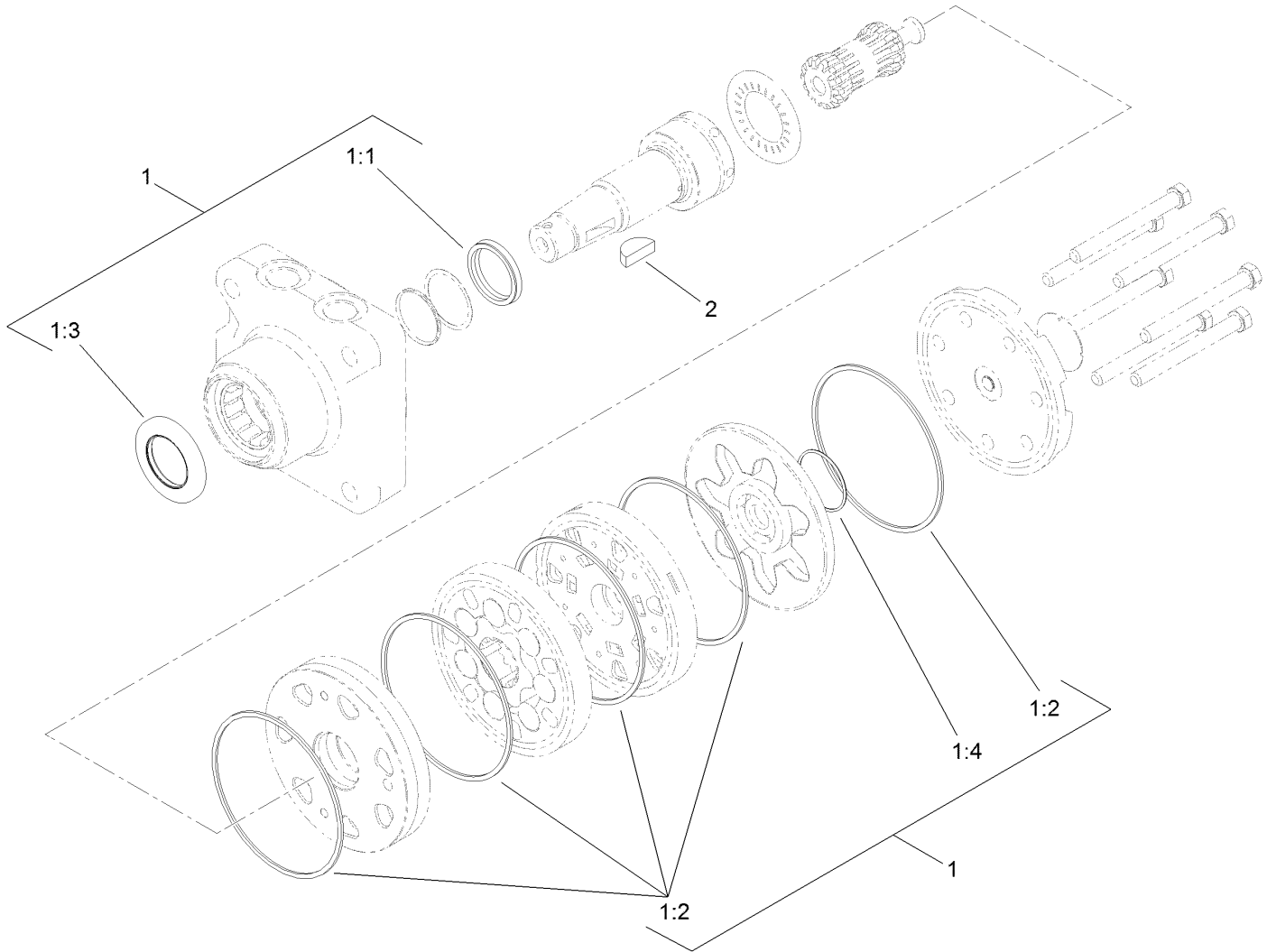


# Hydraulic Motor Assembly No. 108-2947 (continued)

<i>Ref.</i>	<i>Part Number</i>	<i>Qty.</i>	<i>Description</i>	<i>Ref.</i>	<i>Part Number</i>	<i>Qty.</i>	<i>Description</i>
1	110-6459	1	Seal Kit	2	3257-42	1	Key-Woodruff
1:1		1	Seal-Shaft ●	3	110-3381	1	End Cover ASM
1:2		5	Seal-Body ●	3:1	353-990	1	Plug ASM
1:3		1	Seal-Dirt/Water ●	3:1:1	237-78	1	O-Ring
1:4		1	Seal-Commutator ●				

● Not serviced separately

# Hydraulic Motor Assembly No. 108-2949



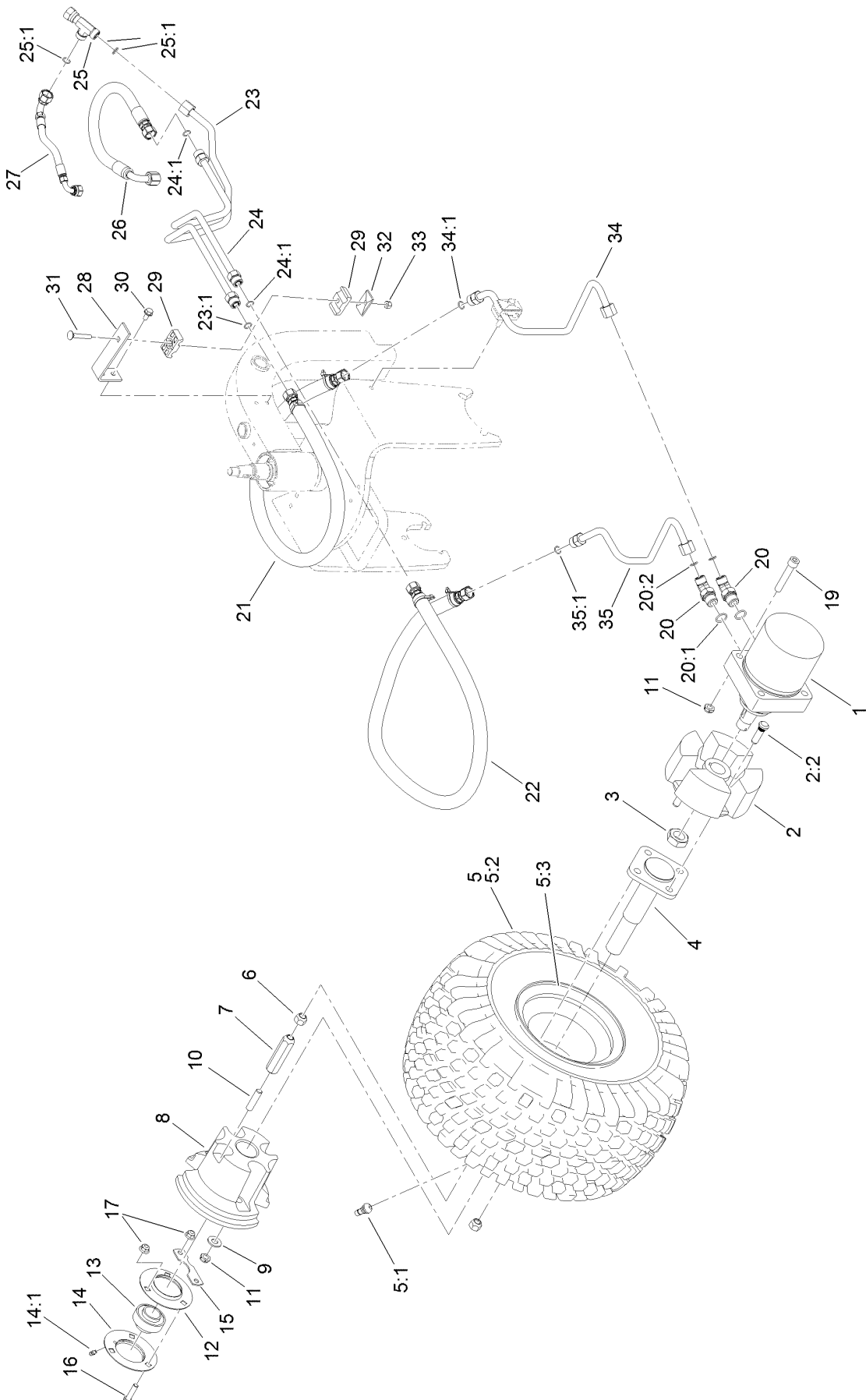


# Hydraulic Motor Assembly No. 108-2949 (continued)

<i>Ref.</i>	<i>Part Number</i>	<i>Qty.</i>	<i>Description</i>	<i>Ref.</i>	<i>Part Number</i>	<i>Qty.</i>	<i>Description</i>
1	110-6459	1	Seal Kit	1:3		1	Seal-Dirt/Water ●
1:1		1	Seal-Shaft ●	1:4		1	Seal-Commutator ●
1:2		5	Seal-Body ●	2	3257-42	1	Key-Woodruff

● Not serviced separately

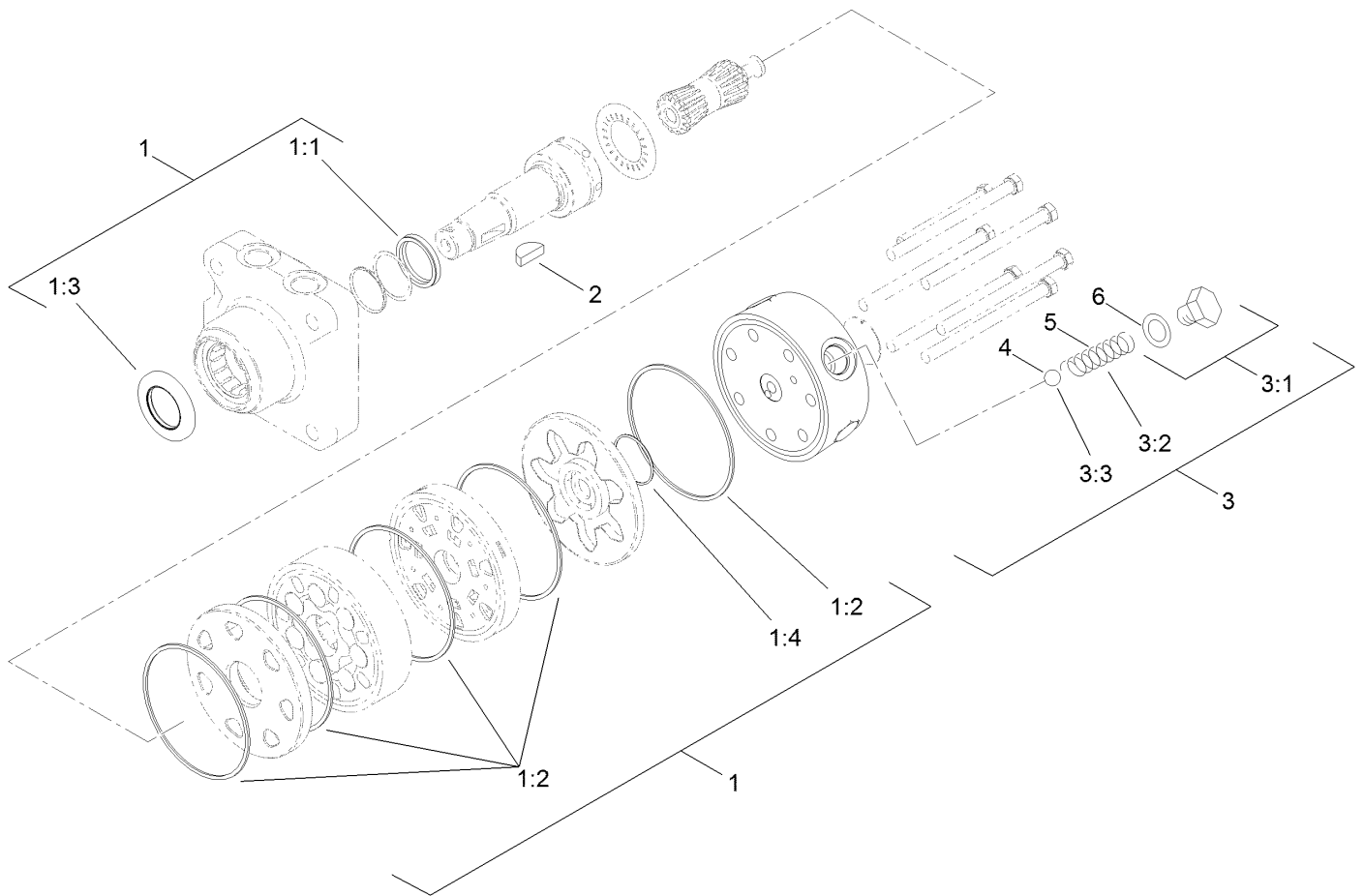
# Front Wheel Assembly



## Front Wheel Assembly (continued)

<i>Ref.</i>	<i>Part Number</i>	<i>Qty.</i>	<i>Description</i>	<i>Ref.</i>	<i>Part Number</i>	<i>Qty.</i>	<i>Description</i>
1	108-2948	1	HYD Motor ASM (CW)	20	340-89	2	Fitting-HYD, 45 DEG
2	144-1381	1	Front Wheel Hub ASM	20:1	237-30	1	O-Ring
2:2	10-6830	4	Stud-Type, Drive	20:2	237-80	1	O-Ring
3	26-3790	1	Nut-Lock	21	108-8433	1	HYD Hose ASM
4	110-6314	1	Spindle	22	110-6303	1	HYD Hose ASM
5	95-0621	1	Wheel And Tire ASM	23	140-0315	1	Hydraulic Tube ASM
5:1	5108	1	Valve	23:1	237-30	1	O-Ring
5:2	85-8290	1	Tire-2Ply, Knobby	24	108-8411	1	Tube ASM
5:3	94-6116	1	Wheel-Rear	24:1	237-30	2	O-Ring
6	242-50	2	Nut-Lug	25	340-104	1	Fitting-Tee
7	107-3399	2	Adapter-Weight, Wheel	25:1	237-30	2	O-Ring
8	110-6312-03	1	Weight	26	140-0323	1	HYD Hose ASM
9	87-7270	2	Washer-Thrust	27	144-1393	1	HYD Hose ASM
10	110-6311	2	Stud	28	108-8455-01	1	Bracket-Clamp
11	3296-45	4	Nut-Hex	29	56-7976	2	Clamp-Tube
12	85-8950	1	Flangette-Standard	30	32144-14	2	Screw-HWHTF
13	251-352	1	Bearing	31	3230-6	1	Bolt-CARR
14	85-8940	1	Flangette-Relube	32	69-9760	1	Plate-Cover
14:1	302-5	1	Fitting-Grease	33	3296-29	1	Nut-Lock, NI
15	88-8350	1	Tab-Bearing	34	108-8432	1	Tube ASM
16	323-8	3	Screw-HH	34:1	237-30	1	O-Ring
17	104-8301	3	Nut-HF, NI	35	108-8431	1	Tube ASM
19	3274-93	2	Screw-HSH	35:1	237-30	1	O-Ring

# Hydraulic Motor Assembly No. 108-2948

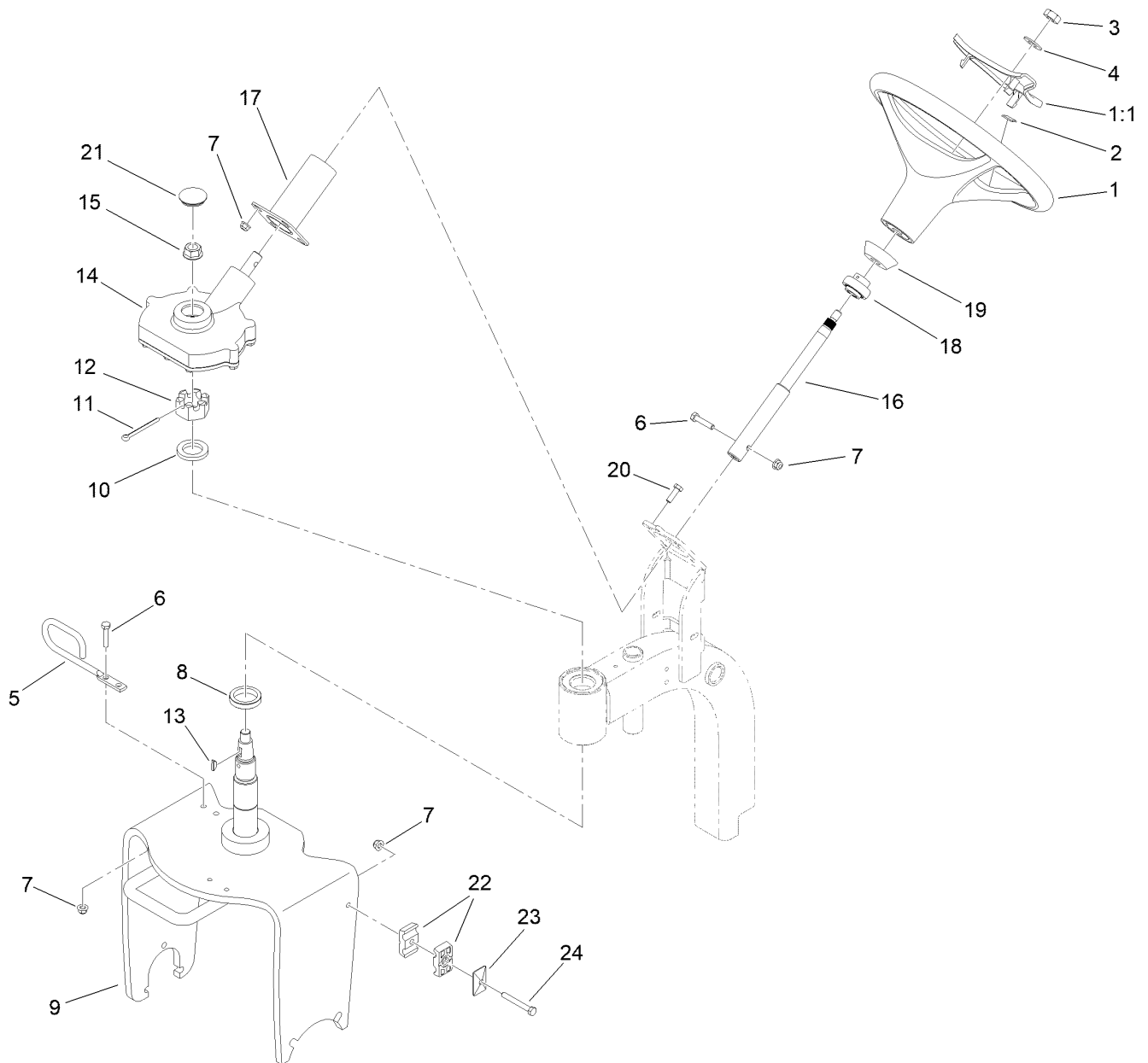


# Hydraulic Motor Assembly No. 108-2948 (continued)

<i>Ref.</i>	<i>Part Number</i>	<i>Qty.</i>	<i>Description</i>	<i>Ref.</i>	<i>Part Number</i>	<i>Qty.</i>	<i>Description</i>
1	110-6459	1	Seal Kit	3:1		1	Spring Cap And O-Ring ASM ●
1:1		1	Seal-Shaft ●	3:2	99-3541	1	Spring
1:2		5	Seal-Body ●	3:3	99-3540	1	Ball
1:3		1	Seal-Dirt/Water ●	4	99-3540	1	Ball
1:4		1	Seal-Commutator ●	5	99-3541	1	Spring
2	3257-42	1	Key-Woodruff	6	132-4421	1	O-Ring
3	99-3538	1	End Cover ASM				

● Not serviced separately

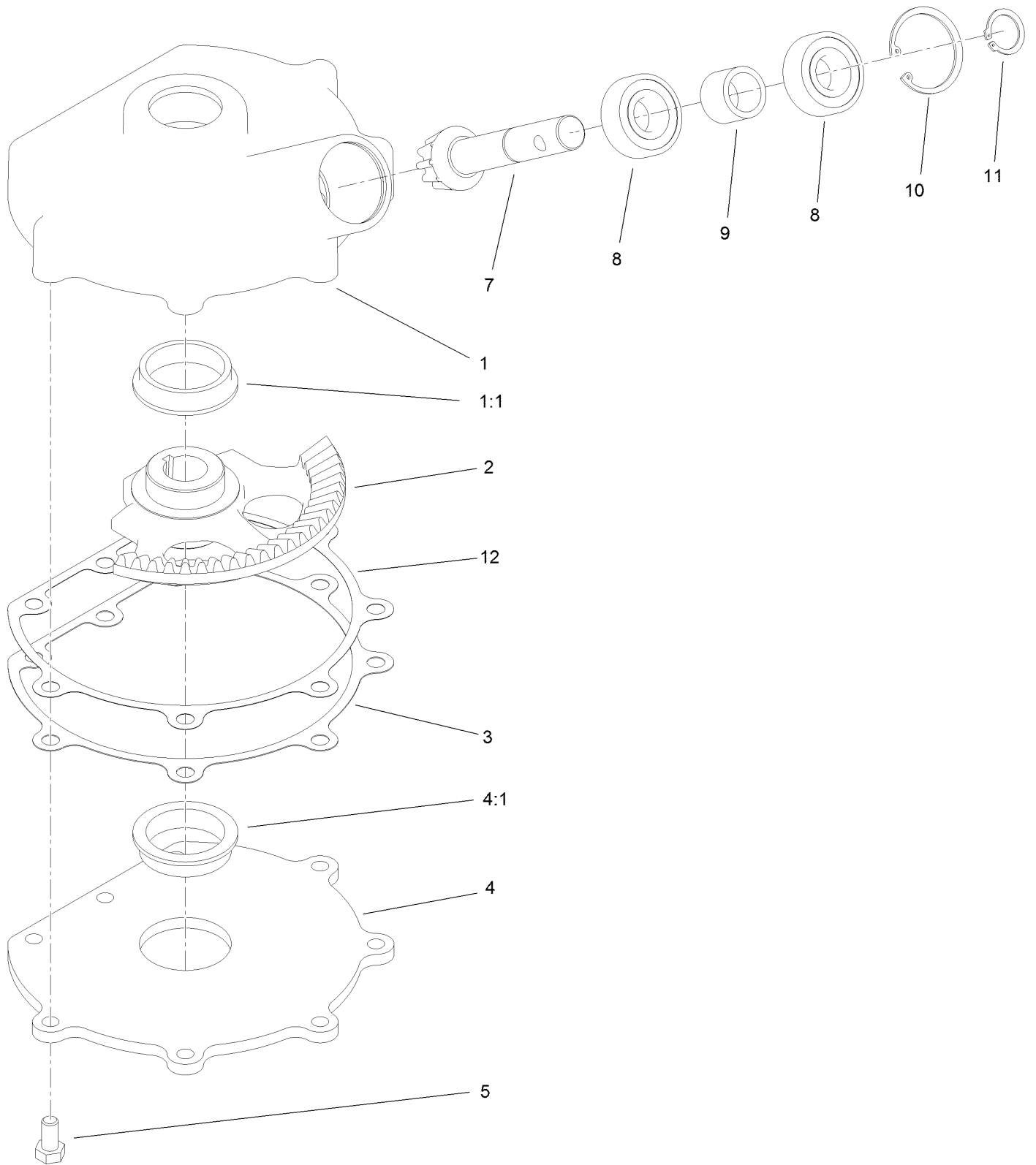
# Steering Assembly



## Steering Assembly (continued)

<i>Ref.</i>	<i>Part Number</i>	<i>Qty.</i>	<i>Description</i>	<i>Ref.</i>	<i>Part Number</i>	<i>Qty.</i>	<i>Description</i>
1	98-1471	1	Wheel-Steering	13	3257-5	1	Key-Woodruff
1:1	98-1468	1	Cover-Wheel, Steering	14	107-3526	1	Steering Box ASM
2	98-1459	1	Decal	15	32128-54	1	Nut-HF
3	3296-33	1	Nut-Lock, NI	16	107-3533	1	Shaft-Steering
4	3256-27	1	Washer-Flat	17	107-3540-03	1	Tube
5	138-9139	1	Guide-Hose	18	106-8448	1	Bearing-Race, Extended
6	322-7	3	Screw-HH	19	93-5429	1	Collar-Foam
7	104-8300	8	Nut-HF, NI	20	322-5	4	Screw-HH
8	108-5432	1	Spacer-Bearing	21	107-3532	1	Grommet
9	107-3543-01	1	Fork ASM	22	56-7976	2	Clamp-Tube
10	115-5639	1	Washer-Steering	23	69-9760	1	Plate-Cover
11	3272-37	1	Pin-Cotter	24	322-12	1	Screw-HH
12	32136-9	1	Nut-Hex, Slotted				

# Steering Box Assembly No. 107-3526

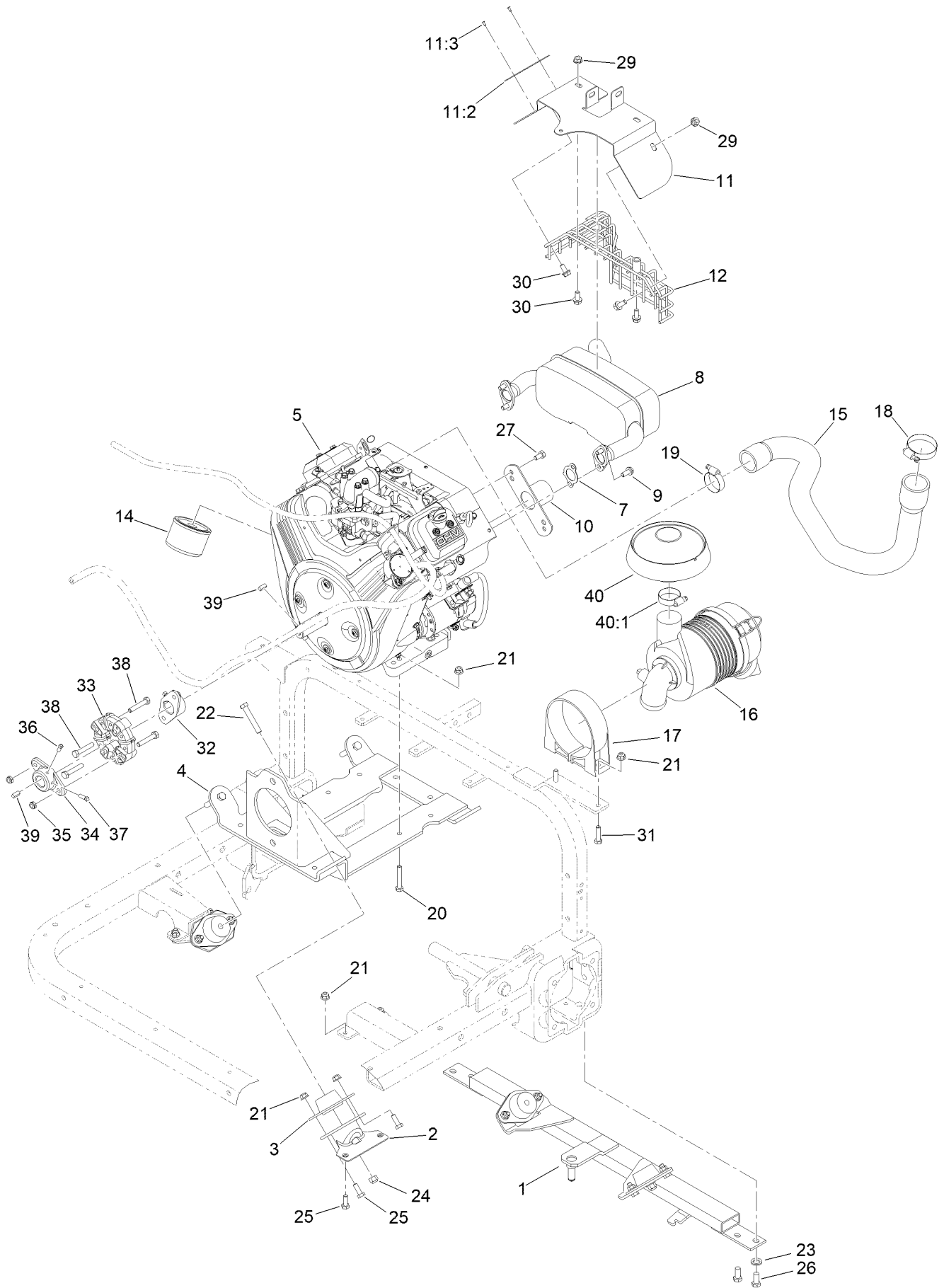




## Steering Box Assembly No. 107-3526 (continued)

<i>Ref.</i>	<i>Part Number</i>	<i>Qty.</i>	<i>Description</i>	<i>Ref.</i>	<i>Part Number</i>	<i>Qty.</i>	<i>Description</i>
1	108-4520	1	Steering Cover ASM	7	107-3527	1	Gear-Pinion
1:1	92-6869	1	Bushing	8	38-7820	2	Bearing-Ball
2	107-3520	1	Gear-Sector	9	108-4502	1	Spacer
3	107-3529	1	Gasket-Steering	10	107-3530	1	Ring-Retaining
4	107-3524	1	Steering Plate ASM	11	32151-12	1	Ring-Retaining
4:1	92-6869	1	Bushing	12	108-8442	3	Shim-Plate, Steering
5	322-2	8	Screw-HH				

# Engine Installation Assembly

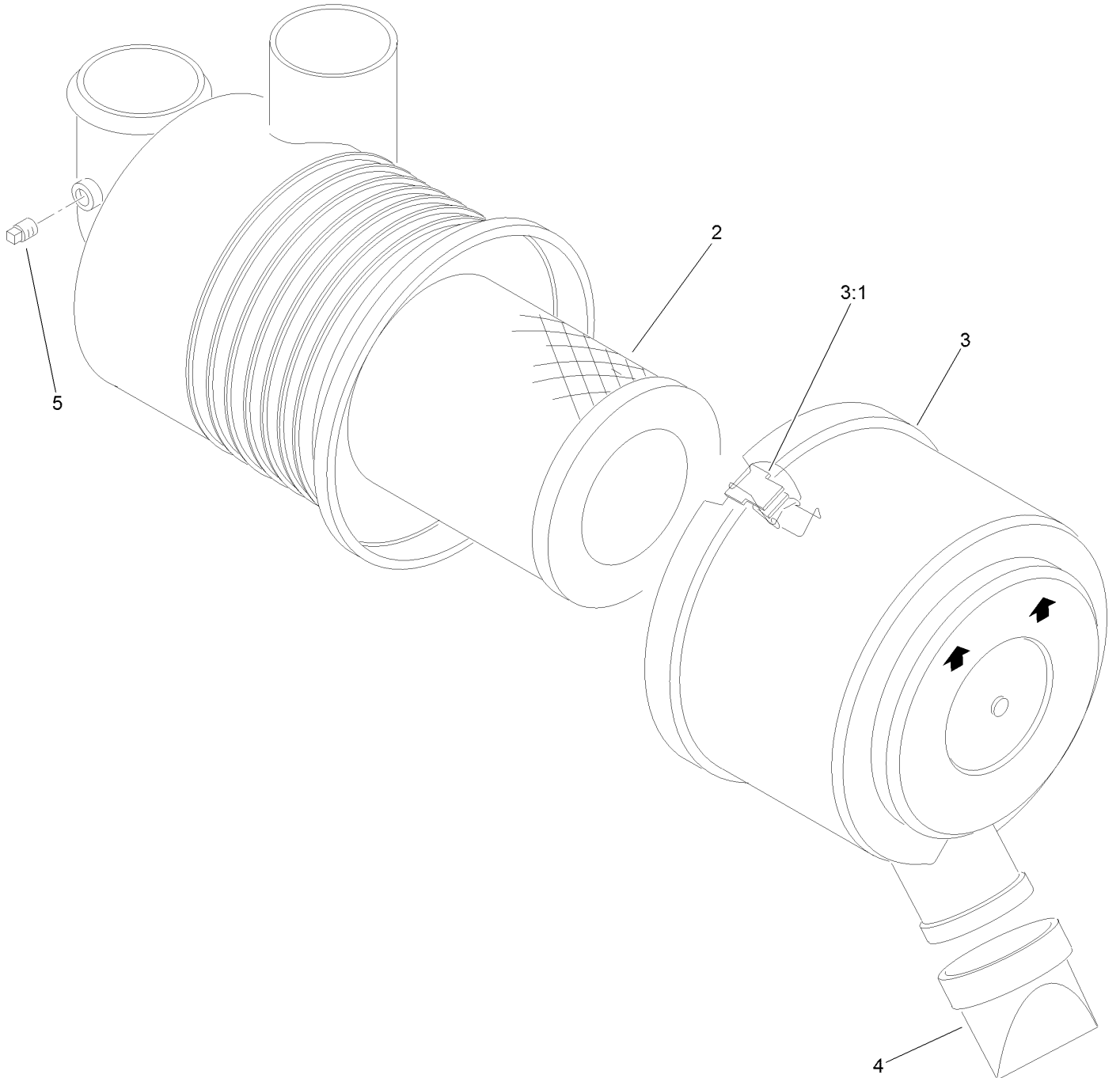


## Engine Installation Assembly (continued)

<i>Ref.</i>	<i>Part Number</i>	<i>Qty.</i>	<i>Description</i>	<i>Ref.</i>	<i>Part Number</i>	<i>Qty.</i>	<i>Description</i>
1	120-3461-01	1	Mount-Engine	21	104-8300	18	Nut-HF, NI
2	125-1954	2	Mount-Front	22	323-11	4	Screw-HH
3	121-9076	4	Mount-Engine	23	3256-24	4	Washer-Plain
4	108-2809-0P	1	Support-Engine	24	104-8301	4	Nut-HF, NI
5	140-0282	1	Engine ●	25	322-4	12	Screw-HH
7	94-3449	2	Gasket-Manifold, Exhaust	26	323-5	4	Screw-HH
8	120-3476	1	Muffler-Dual Inlet	27	3210-2	2	Screw-HH
9	94-5300	4	Screw-HHF	29	32128-25	4	Nut-HF
10	95-0632-03	1	Cover	30	3234-14	4	Screw-HHF
11	119-7191	1	Muffler Shield ASM	31	322-6	2	Screw-HH
11:2	95-0645	1	Plate-Surface, Hot	32	110-5236	1	Hub-Engine
11:3	3269-32	2	Rivet-Pop	33	119-0652	1	Coupler-Rubber
12	110-6348-03	1	Shield-Exhaust	34	110-5227	1	Hub-Pump
14	107-7817	1	Filter-Oil, Engine	35	3296-47	4	Nut-Lock,NI
15	117-9576	1	Hose-Air	36	3241-7	2	Screw-SQH
16	93-2190	1	Air Cleaner ASM	37	3241-6	2	Screw-SQH
17	95-5806	1	Bracket-Mounting, Air Cleaner	38	322-9	4	Screw-HH
18	2412-92	1	Clamp-Hose	39	85-9020	2	Key-Square
19	2412-3	1	Clamp-Hose	40	136-7859	1	Rain Cap Kit
20	322-10	4	Screw-HH	40:1	1-643009	1	Clamp-Hose

● Obtain parts from [www.briggsandstratton.com](http://www.briggsandstratton.com)

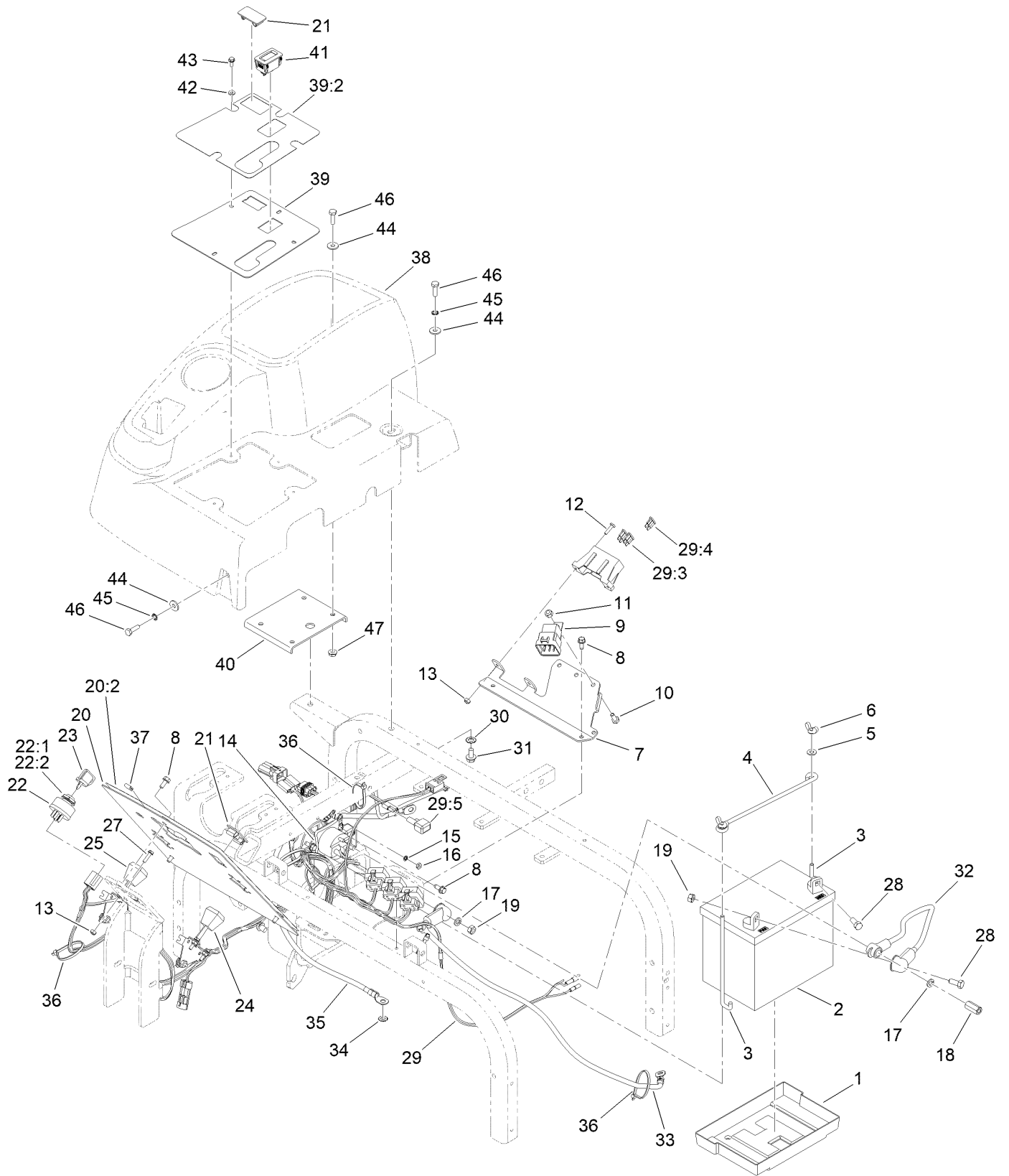
# Air Cleaner Assembly No. 93-2190



## Air Cleaner Assembly No. 93-2190 (continued)

<i>Ref.</i>	<i>Part Number</i>	<i>Qty.</i>	<i>Description</i>	<i>Ref.</i>	<i>Part Number</i>	<i>Qty.</i>	<i>Description</i>
2	108-3811	1	Filter-Air	4	87-9400	1	Valve-Vacuator
3	94-3652	1	Cover ASM	5	285-17	1	Plug-Pipe
3:1	1-643283	2	Latch-Cleaner, Air				

# Electrical and Console Assembly



## Electrical and Console Assembly (continued)

<i>Ref.</i>	<i>Part Number</i>	<i>Qty.</i>	<i>Description</i>	<i>Ref.</i>	<i>Part Number</i>	<i>Qty.</i>	<i>Description</i>
1	106948	1	Tray-Battery	25	119-7188	1	Throttle Cable ASM
2	99-7421	1	Battery- Wet, 12V, 300 CCA	27	32105-13	4	Screw-HWH
3	100-6435	2	Post-Battery	28	322-3	2	Screw-HH
4	100-6434	1	Rod-Hold Down, Battery	29	122-1403	1	Harness-Wire
5	3256-22	2	Washer-Flat	29:3	218-578	2	Fuse-Blade, 10 Amp
6	32103-22	2	Nut-Wing	29:4	109101	1	Fuse-Blade, 20 Amp
7	112-1444-01	1	Bracket-Relay	29:5	100-4918	2	Diode
8	32144-10	7	Screw-HWH	30	3255-9	1	Washer-Lock
9	99-7430	3	Relay-Mini	31	32144-14	1	Screw-HWHTF
10	321-3	3	Screw-HH	32	110-3314	1	Cable-Positive, Battery
11	3296-42	3	Nut-Lock, NI	33	110-3315	1	Cable-Positive, Starter
12	3250-13	2	Screw-PPH	34	3255-8	1	Washer-Lock
13	3296-2	6	Nut-Lock, NI	35	54-3093	1	Cable-Battery, Negative
14	28-4210	1	Solenoid	36	3290-378	6	Tie-Cable
15	3254-1	1	Washer-Lock, Int	37	119-2494	1	Seal-Strip
16	3219-14	1	Nut-Hex	38	108-2936	1	Console
17	3253-4	2	Washer-Lock	39	140-0320	1	Lift Panel W/Decal
18	110-3380	1	Nut-Standoff	39:2	108-8484	1	Decal-Lift, Rear
19	3218-13	3	Nut-Jam, Brass	40	108-7995-03	1	Plate-Support, Console
20	137-3388	1	Control Panel ASM	41	120-2244	1	Hourmeter
20:2	137-3387	1	Decal-Dash	42	3256-51	4	Washer-Flat
21	99-7420	2	Plug-Hole	43	3290-321	4	Screw-HWH
22	83-0020	1	Switch-Ignition	44	3256-78	7	Washer-Flat
22:1	218-461	1	Nut-HH	45	3254-8	3	Washer-Lock
22:2	3254-5	1	Washer-Lock	46	321-5	7	Screw-HH
23	63-8360	2	Key-Ignition	47	32128-33	4	Nut-HF
24	119-7178	1	Choke Cable ASM				

# Attachments and Accessories

## For 08743 Sand Pro 3040 Traction Unit

<b>Product Name</b>	<b>Model/Part</b>
Manual Blade.....	08714
LED Light Kit.....	08740
Tooth Rake .....	08751
Spring Rake.....	08752
Rear Broom .....	08753
Finish Grader.....	08754
Spiker .....	08755
Drag Mat Carrier System .....	08756
QAS Nail Drag .....	08761
QAS Bunker Pump .....	08765
QAS Flex Tooth Rake .....	08767
Rear Remote Hydraulic Kit .....	08781
Midmount Toolbar System .....	08838
Yellow Hydraulic Cap .....	107-1576
Yellow Hydraulic Fluid Cap (Tethered) .....	107-2174
Premium All Purpose Grease (Tube) .....	108-1190
Premium Engine Oil SAE 30 (Drum).....	108-1196
Premium Engine Oil SAE 30 (Pail).....	108-1197
Speed Limiter Kit .....	110-1371
Draw Bar Hitch Assembly .....	110-1375
Smooth Wheel and Tire Assembly .....	112-0034
Drag Mat Assembly .....	112-1424
Variable Orifice Kit .....	112-1433
Wireless Hourmeter .....	115-4754
Infield Pro 3040 Decal Kit .....	115-5619
Spark Arrestor Screen .....	119-7185
Wheel and Tire Assembly .....	121-9077
PX Hydraulic Fluid (5 Gal) .....	133-8086
PX Hydraulic Fluid (55 Gal).....	133-8087
MVP Filter Kit.....	30035
MVP Kit 1000 Hour .....	44957



**Notes:**

**Notes:**

**Notes:**



**Count on it.**