



**Count on it.**

**Parts Catalog**

**96in Air Cool Z Master®  
Professional  
Riding Mower**

Model No. 74090—Serial No. 414087804 and Up



# Ordering Replacement Parts

To order replacement parts, please supply the part number, the quantity, and the description of each part desired.

## Understanding Reference Numbers

Each identified part in an illustration has a reference number. The reference number for a part also appears in the parts list, along with other information about the part.

This catalog uses two special reference number formats, one to indicate parts in a service assembly and another to indicate the quantity of a given part in an illustration.

## Service Assembly Reference Numbers

Parts in service assemblies have reference numbers in the form a:b. The a represents the reference number of the entire service assembly and the b represents a sequential number unique to each part within the service assembly.

For example, a wheel assembly might be identified by reference number 6, the tire by 6:1, the valve by 6:2, and the wheel by 6:3. When you order the assembly identified by reference number 6, you receive all parts identified by reference numbers 6:1, 6:2, and 6:3. However, you may also order any part individually. Reference numbers of this type appear in illustration and in parts lists.

## Reference Numbers Indicating Quantity

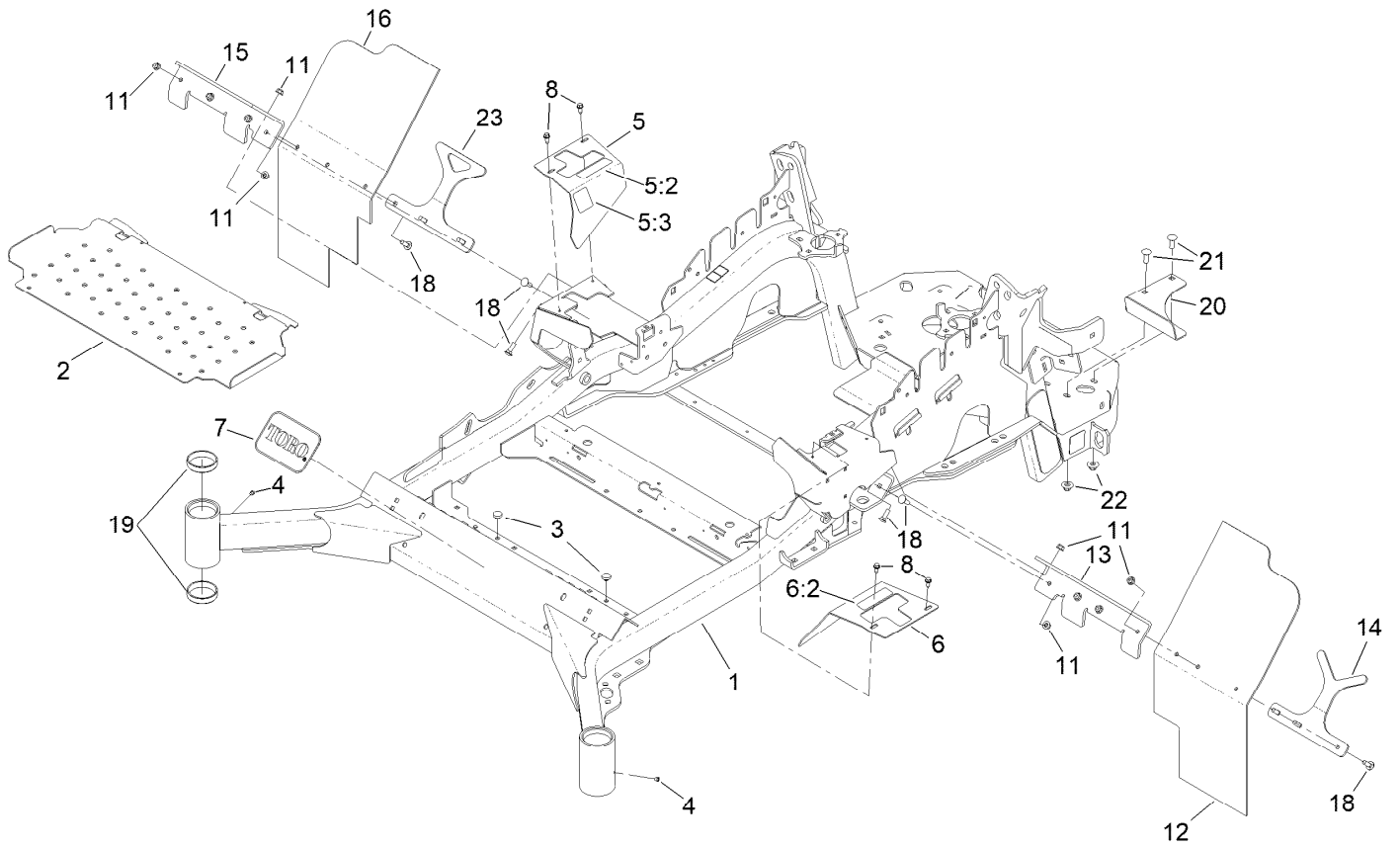
In an illustration, if a reference number indicates more than one part, the reference number has the form nX y. The n represents the quantity of the part, the X is the multiplication symbol, and the y represents the reference number.

For example, in an illustration, the reference number 2X 37 means that two of the parts identified by reference number 37 are indicated.

# Contents

Frame Assembly	4
Mainframe Assembly No. 142-2671	6
ROPS Assembly	8
Roll-Over Protection System Assembly No. 116-0231	10
Caster Fork and Wheel Assembly	12
Hydraulic Drive Assembly	14
LH Hydro Assembly No. 135-7909	16
RH Hydro Assembly No. 135-7910	18
Pump Idler Assembly No. 116-1255	20
Rear Wheel Assembly	22
Park Brake Assembly	24
Fuel System Assembly	26
Fuel Tank Assembly No. 135-0643	28
Seat Mounting Assembly	30
Seat Assembly No. 140-8003	32
Motion Control Assembly	34
Fender, Console and Control Assembly	36
RH Console Assembly No. 115-7400	38
LH Console Assembly No. 115-7401	40
Electrical Assembly	42
Electrical Harness Assembly No. 142-8168	44
Deck Lift Assembly	46
Power Unit Assembly No. 135-1582	48
Engine Assembly	50
Frame Decal Assembly	52
Hood and Oil Cooler Assembly	54
Discharge Tunnel Assembly	56
LH Wing Deck Assembly	58
LH Wing Deck Decal Assembly No. 146-0513	60
Rear Caster Wheel Assembly	62
Caster Fork and Wheel Assembly	64
RH Wing Deck Assembly	66
RH Wing Deck Decal Assembly No. 146-0680	68
Center Deck Belt Drive Assembly	70
Idler Assembly No. 126-9435	72
Idler Assembly No. 126-9438	74
Deck Idler Assembly No. 126-1720	76
Center Folding Deck Hydraulic Assembly	78
Deck Fold Assembly	80
Center Deck Cutting Assembly	82
Attachments and Accessories	84

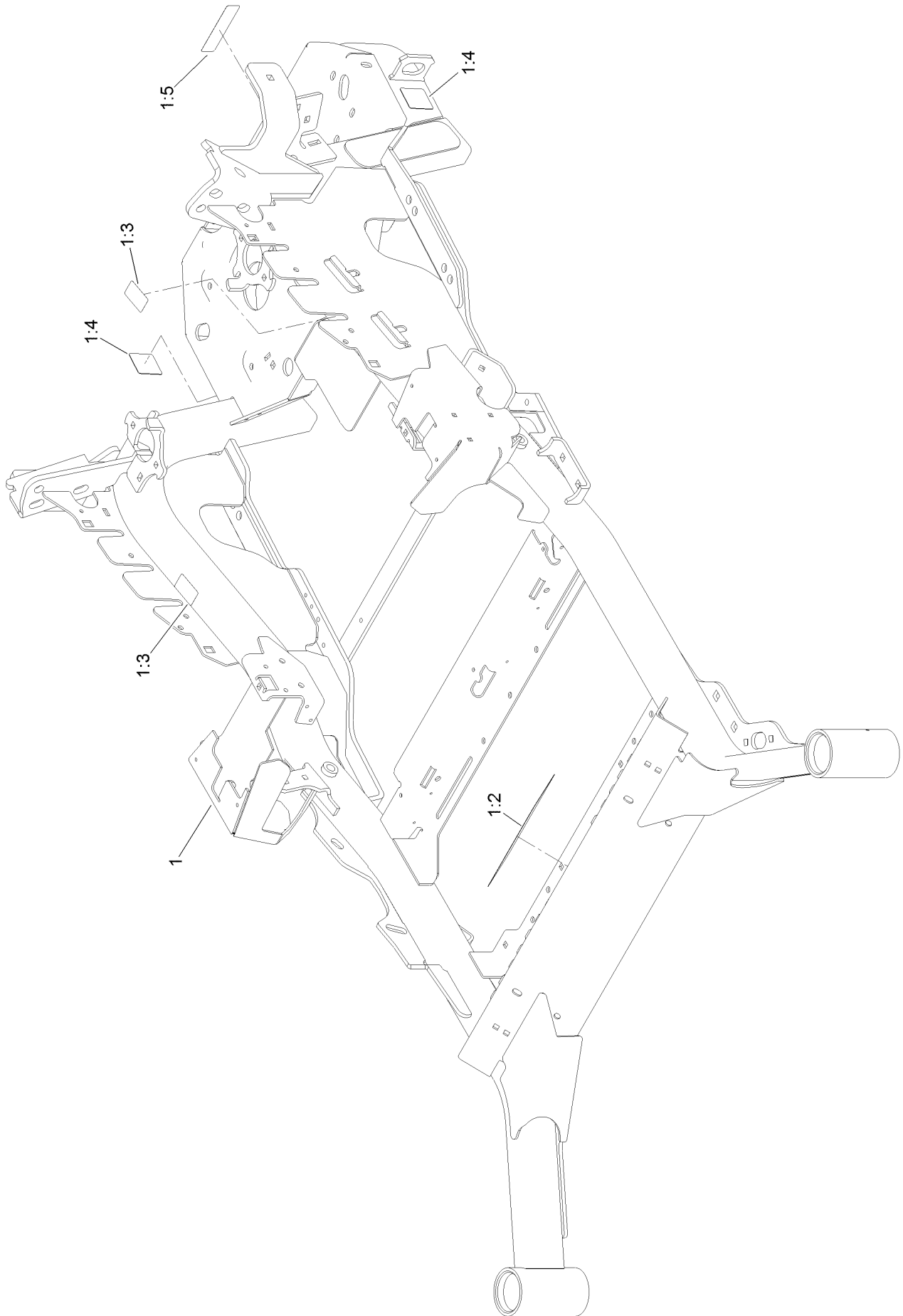
# Frame Assembly



## Frame Assembly (continued)

<i>Ref.</i>	<i>Part Number</i>	<i>Qty.</i>	<i>Description</i>	<i>Ref.</i>	<i>Part Number</i>	<i>Qty.</i>	<i>Description</i>
1	142-2671	1	Mainframe ASM	11	104-8300	10	Nut-HF, NI
2	142-2872-01	1	Floor Pan	12	135-4947	1	Mud Flap
3	1-513658	2	Bumper	13	135-4950-03	1	Bracket-Mud Flap, LH
4	1-811010	2	Plug	14	135-4952-03	1	Support-Mud Flap, Rear
5	116-5899	1	RH Motion Control Cover ASM	15	135-4955-03	1	Bracket-Mud Flap, RH
5:2	99-8936	1	Decal-Control, Motion	16	135-4957	1	Mud Flap
5:3	116-5988	1	Decal-Park Brake, CE	18	3230-2	10	Bolt-CARR
6	116-0580	1	LH Motion Control Cover ASM	19	1-543508	4	Cup-Bearing
6:2	99-8936	1	Decal-Control, Motion	20	142-2927-01	1	Shield-Heat
7	68-3640	1	Decal	21	3231-22	2	Screw-CARR
8	32144-10	4	Screw-HWH	22	109-6658	2	Nut-Flange, NI
				23	142-3344-03	1	Support-Mud Flap RH

# Mainframe Assembly No. 142-2671

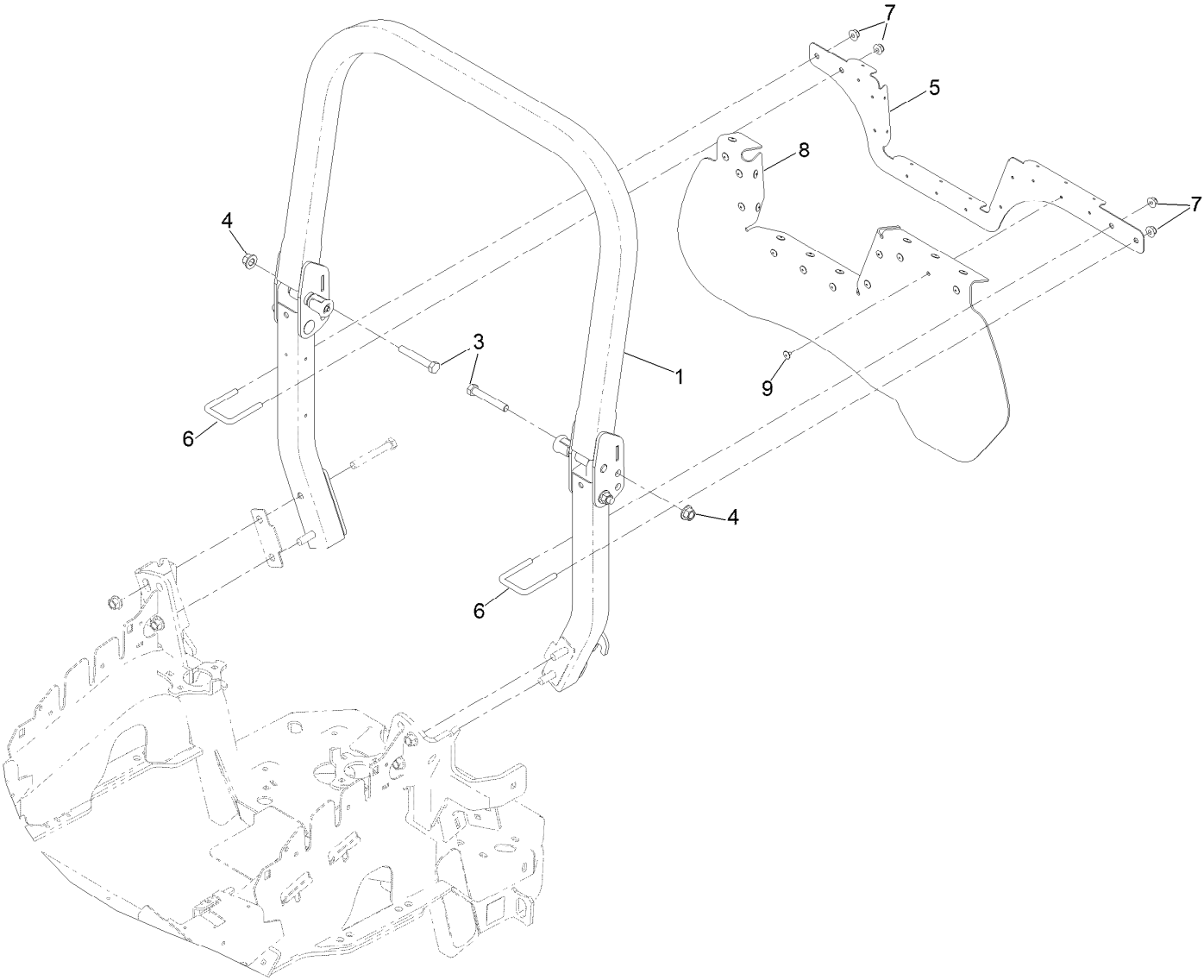


# Mainframe Assembly No. 142-2671 (continued)

<i>Ref.</i>	<i>Part Number</i>	<i>Qty.</i>	<i>Description</i>	<i>Ref.</i>	<i>Part Number</i>	<i>Qty.</i>	<i>Description</i>
1		1	Mainframe ASM ●	1:4	106-2655	2	Decal-Hazard, Pinched Finger
1:2	132-0871	1	Decal-Danger	1:5	133-8062	1	Decal-Arrestor, Spark
1:3	106-5517	2	Decal-Warning				

● Not serviced separately

# ROPS Assembly

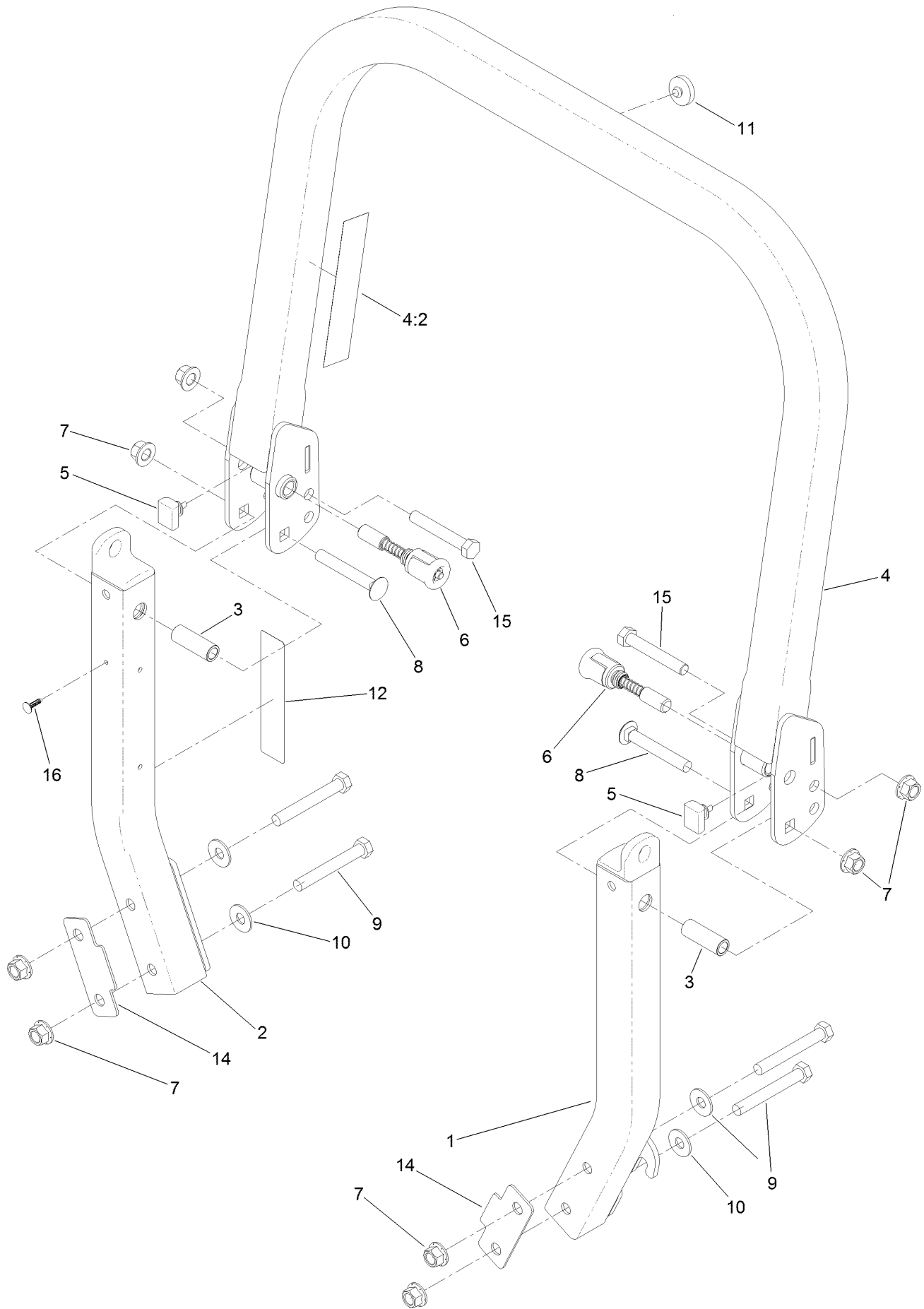




## ROPS Assembly (continued)

<i>Ref.</i>	<i>Part Number</i>	<i>Qty.</i>	<i>Description</i>	<i>Ref.</i>	<i>Part Number</i>	<i>Qty.</i>	<i>Description</i>
1	116-0231	1	ROPS ASM	6	104-9082	2	U-Bolt
3	325-13	2	Screw-HH	7	104-8301	4	Nut-HF, NI
4	99-5107	2	Nut-Lock	8	142-3626	1	Air Dam, Hood
5	142-3625-03	1	Bracket, Air Dam	9	132-5064	22	Rivet-Pop

# Roll-Over Protection System Assembly No. 116-0231

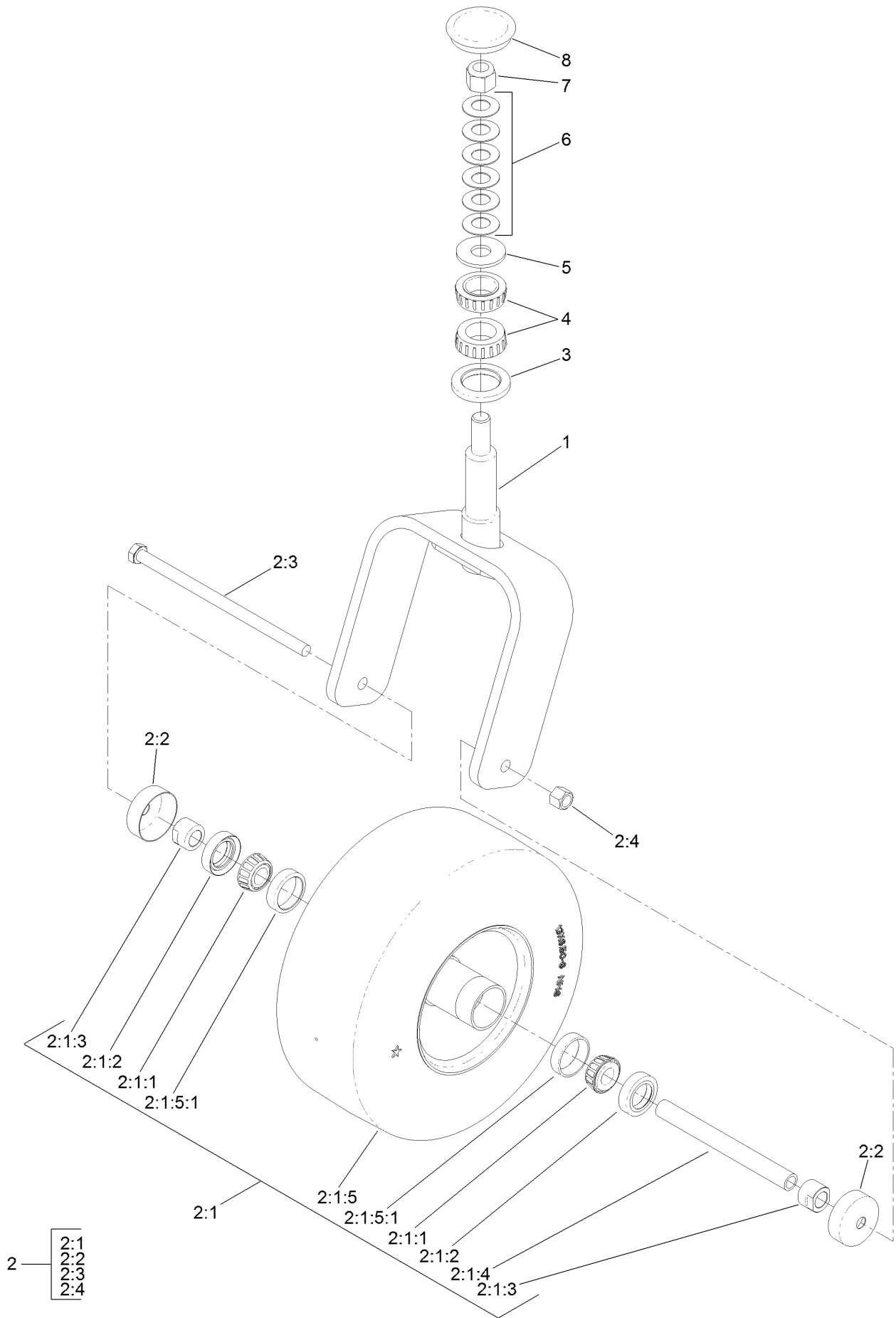


# Roll-Over Protection System Assembly No. 116-0231 (continued)

<i>Ref.</i>	<i>Part Number</i>	<i>Qty.</i>	<i>Description</i>	<i>Ref.</i>	<i>Part Number</i>	<i>Qty.</i>	<i>Description</i>
1		1	Leg-ROPS, LH ●	8	3233-10	2	Screw-CARR
2		1	Leg-ROPS, RH ●	9	325-35	4	Screw-HH
3	109-6653	2	Spacer	10	109-9505	4	Washer-Spring
4		1	Upper ROPS ASM ●	11	109-9233	1	Bumper-Push-In, Rubber
4:2	107-3069	1	Decal-Warning	12	117-0346	1	Decal-Caution, Fuel Vent
5	109-5337	2	Bumper-ROPS	14	116-0960	2	Spacer
6	116-0104	2	Pin-Spring	15	325-13	2	Screw-HH
7	99-5107	8	Nut-Lock	16	125-8067	1	Plug-Plastic

● Not serviced separately

# Caster Fork and Wheel Assembly



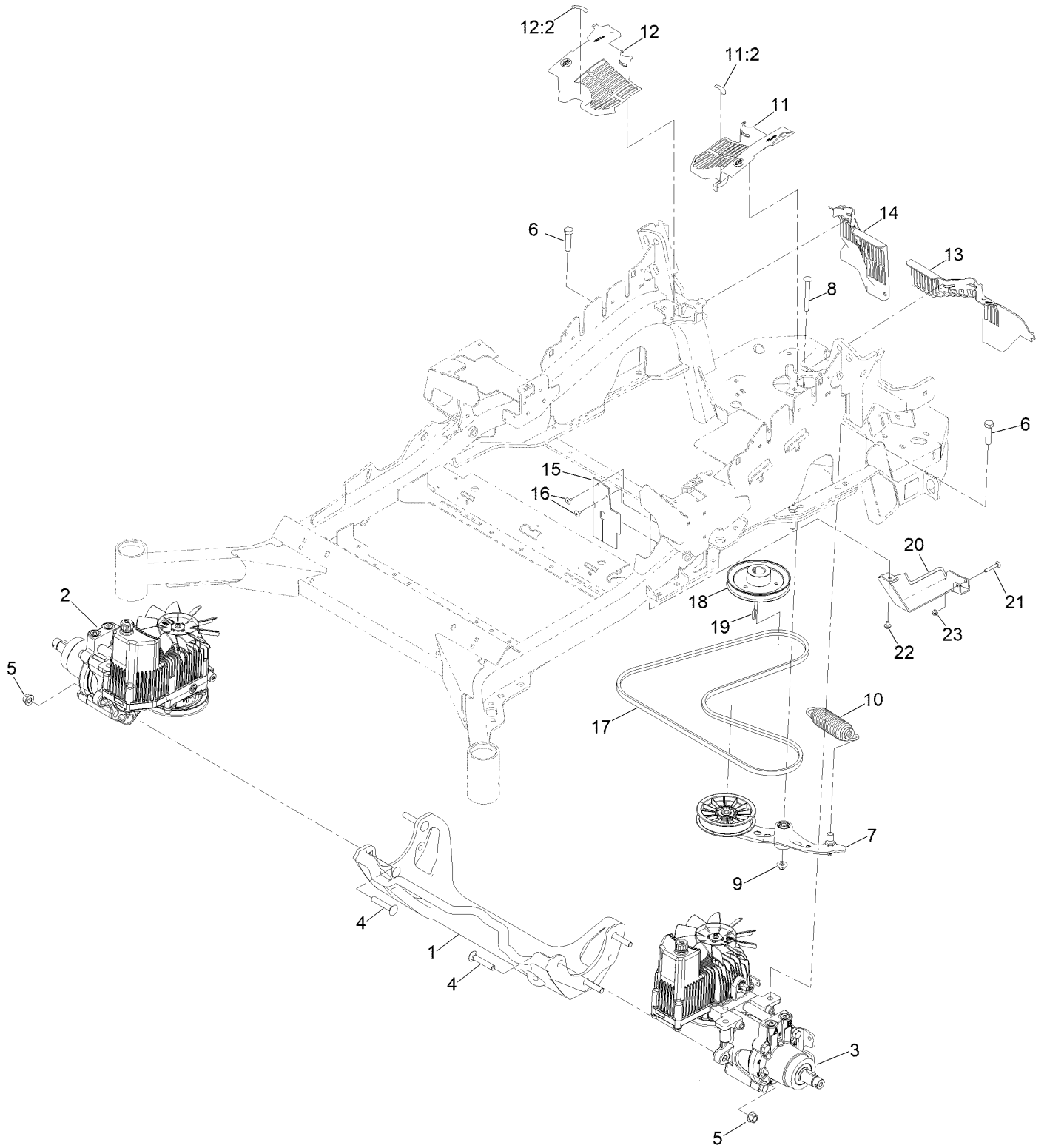
## Caster Fork and Wheel Assembly (continued)

<i>Ref.</i>	<i>Part Number</i>	<i>Qty.</i>	<i>Description</i>	<i>Ref.</i>	<i>Part Number</i>	<i>Qty.</i>	<i>Description</i>
1	135-0750-01	1	Fork-Caster	2:2	103-2768	2	Guard-Seal
2		1	Wheel And Axle ASM ●	2:3	325-39	1	Screw-HH
2:1	127-9526	1	Wheel And Bearing ASM	2:4	3296-23	1	Nut-Lock, NI
2:1:1	1-633585	2	Bearing-Cone, Taper	3	135-0355	1	Seal-Grease
2:1:2	103-0063	2	Seal-Caster	4	103-9028	2	Bearing-Roller, Cone Taper
2:1:3	103-3051	1	Spacer-Nut ■	5	3256-8	1	Washer-Flat
2:1:4	126-5361	1	Axle Caster ASM	6	1-633508	6	Washer-Bellville
2:1:5	127-9527	1	Wheel And Tire ASM	7	3296-51	1	Nut-Lock, NI
2:1:5:1	1-633584	2	Bearing-Cup	8	126-9369	1	Cap-Grease

● Not serviced separately

■ Use Pro-Lock, Nut Type (P/N 1-840022, .5ml tube) on threads.

# Hydraulic Drive Assembly

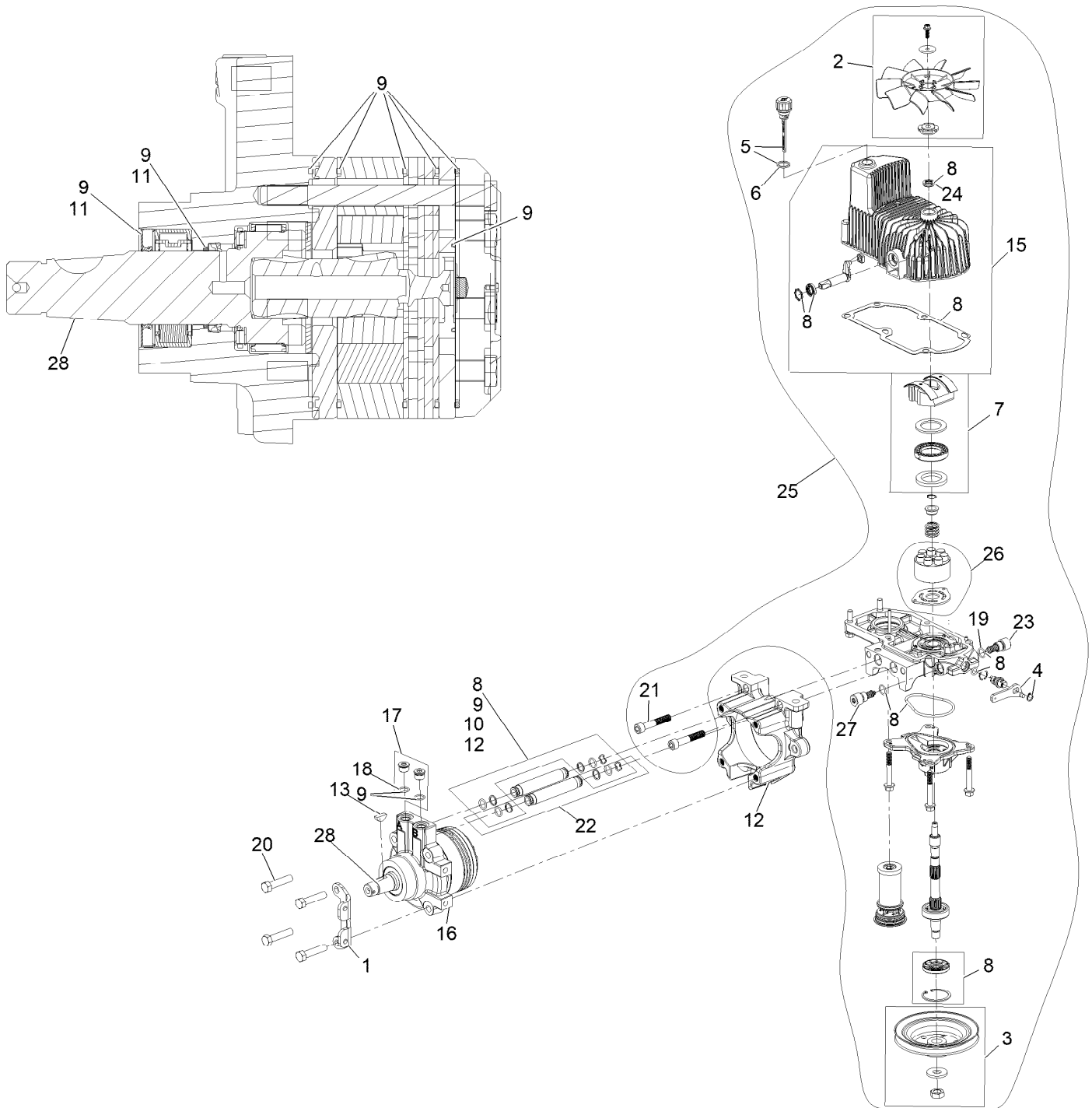


## Hydraulic Drive Assembly (continued)

<i>Ref.</i>	<i>Part Number</i>	<i>Qty.</i>	<i>Description</i>	<i>Ref.</i>	<i>Part Number</i>	<i>Qty.</i>	<i>Description</i>
1	116-7558	1	Cradle-Hydro	14	109-9058	1	Guard-Hydro, Rear (RH)
2	135-7910	1	Hydro-RH	15	116-2362	1	Deflector-Air Flow
3	135-7909	1	Hydro-LH	16	1-803035	2	Rivet-Pop
4	126-0095	6	Screw-CARR	17	126-9835	1	Belt-V
5	99-5107	6	Nut-Lock	18	142-9445	1	Sheave, W/Hub
6	325-8	4	Screw-HH	19	1-807259	1	Key
7	116-1255	1	Pump Idler ASM	20	142-3469	1	Tank Guard Wldmnt
8	116-1502	1	Bolt-Shoulder, Carriage	21	3229-5	1	Screw-CARR
9	109-6658	1	Nut-Flange, NI	22	46-6810	1	Screw And Washer ASM
10	116-6317	1	Spring-Extension	23	104-7201	1	Nut-HF, NI
11	116-0170	1	LH Hydro Guard ASM	99	114-4713	1	Hypr-Oil 500 (Quart) ●
11:2	116-8726	1	Decal-Oil, Hydro	99	114-4714	1	Hypr-Oil 500 (Gallon) ●
12	116-0171	1	RH Hydro Guard ASM	99	114-4715	1	Hypr-Oil 500-5 (5 Gallon) ●
12:2	116-8726	1	Decal-Oil, Hydro	99	117-0390	1	Filter-Hydro ●
13	109-9709	1	Guard-Hydro, Rear Trim (LH)				

● Not illustrated

# LH Hydro Assembly No. 135-7909



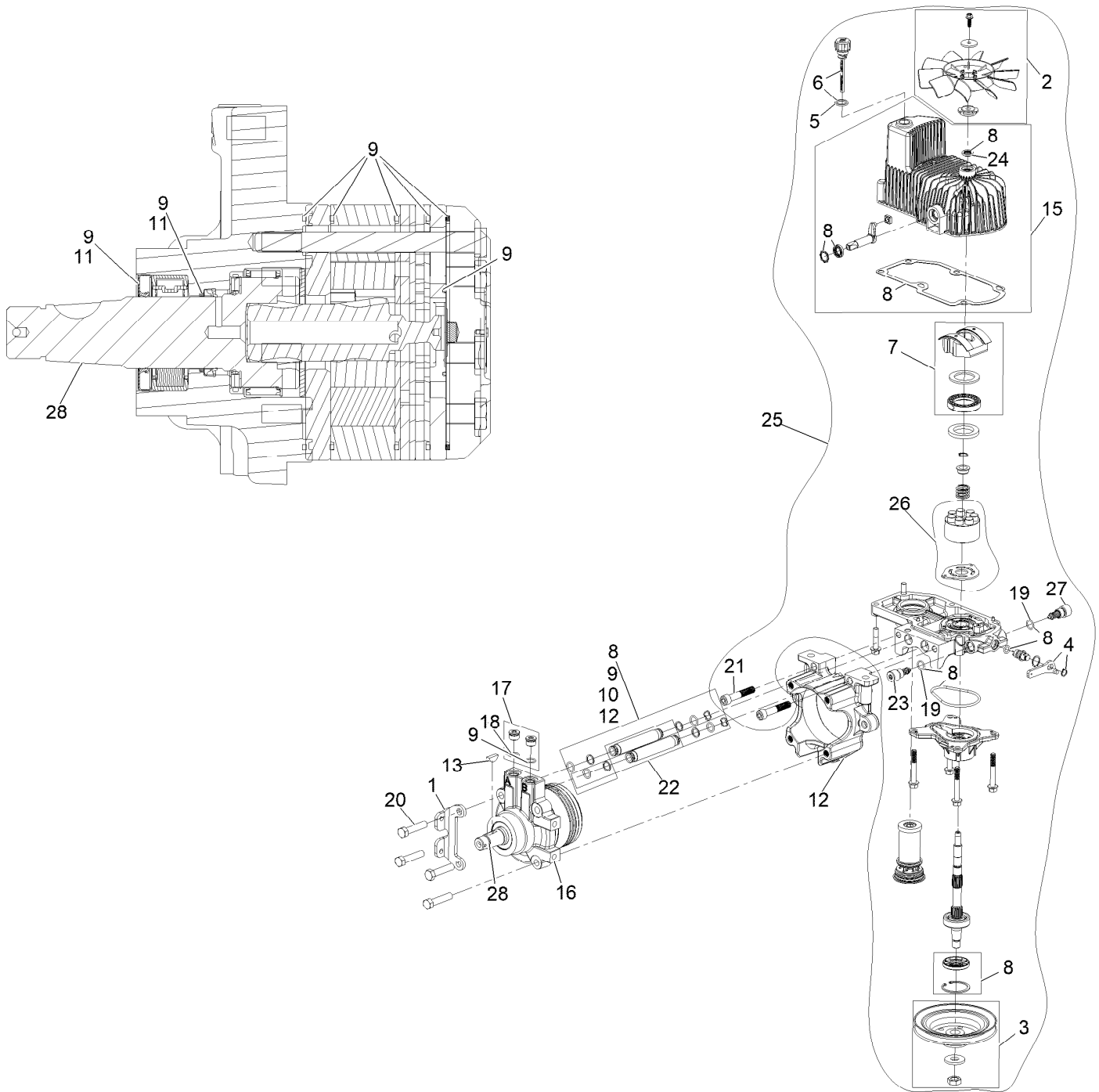


## LH Hydro Assembly No. 135-7909 (continued)

<i>Ref.</i>	<i>Part Number</i>	<i>Qty.</i>	<i>Description</i>	<i>Ref.</i>	<i>Part Number</i>	<i>Qty.</i>	<i>Description</i>
1	135-7827	1	Plate, Horse Shoe Mount	17	116-7901	1	Magnetic Plugs Service Kit
2	142-3603	1	Kit, 7.8 In Fan	18	76-1900	2	O-Ring
3	116-0234	1	Pulley Kit	19	116-8662	2	O-Ring-Valve, Check
4	116-0235	1	Handle	20	116-8974	4	Screw-HH 1/2-20 X 2 1/4
5	116-0236	1	Dipstick	21	116-8975	2	Screw-HSH 1/2-20 X 2 3/4
6	116-0237	1	Gasket	22	116-9922	2	Hydraulic Tube Kit
7	116-1367	1	Swash Block Kit	23	126-7466	1	Valve-Shock
8	142-3604	1	Kit, Pump Seal	24	126-7711	1	Seal-Drive, Fan
9	116-1369	1	Motor Seal Kit	25	142-3607	1	Kit, Pump Section 16Cc LH
10	116-1370	1	Tube Seal Kit	26	142-4501	1	Kit - 16Cc Port Plate, Rotate Grp
11	116-1371	1	Output Shaft Seal Kit				
12	116-5469	1	Cup-Nose	27	142-4459	1	Shock Valve Orificed 3800
13	3257-42	1	Key-Woodruff 5/16 X 1	28	99-3090	1	Shaft-Coupling
15	142-4460	1	Kit, Housing-Hydro LH	99	116-4245	1	Puller-Pulley ●
16	142-3616	1	Kit, Motor Tg310Cc LH	99	116-1373	1	Flow Test Kit ●

● Not illustrated

# RH Hydro Assembly No. 135-7910



## RH Hydro Assembly No. 135-7910 (continued)

<i>Ref.</i>	<i>Part Number</i>	<i>Qty.</i>	<i>Description</i>	<i>Ref.</i>	<i>Part Number</i>	<i>Qty.</i>	<i>Description</i>
1	135-7827	1	Plate, Horse Shoe Mount	17	116-7901	1	Magnetic Plugs Service Kit
2	142-3603	1	Kit, 7.8 In Fan	18	76-1900	2	O-Ring
3	116-0234	1	Pulley Kit	19	116-8662	2	O-Ring-Valve, Check
4	116-0235	1	Handle	20	116-8974	4	Screw-HH 1/2-20 X 2 1/4
5	116-0236	1	Dipstick	21	116-8975	2	Screw-HSH 1/2-20 X 2 3/4
6	116-0237	1	Gasket	22	116-9922	2	Hydraulic Tube Kit
7	116-1367	1	Swash Block Kit	23	126-7466	1	Valve-Shock
8	142-3604	1	Kit, Pump Seal	24	126-7711	1	Seal-Drive, Fan
9	116-1369	1	Motor Seal Kit	25	142-3606	1	Kit, Pump Section 16Cc RH
10	116-1370	1	Tube Seal Kit	26	142-4501	1	Kit - 16Cc Port Plate, Rotate Grp
11	116-1371	1	Output Shaft Seal Kit				
12	116-5469	1	Cup-Nose	27	142-4459	1	Shock Valve Orificed 3800
13	3257-42	1	Key-Woodruff 5/16 X 1	28	99-3090	1	Shaft-Coupling
15	142-4461	1	Kit, Housing-Hydro RH	99	116-1373	1	Flow Test Kit ●
16	142-3617	1	Kit, Motor Tg310Cc RH	99	116-4245	1	Puller-Pulley ●

● Not illustrated

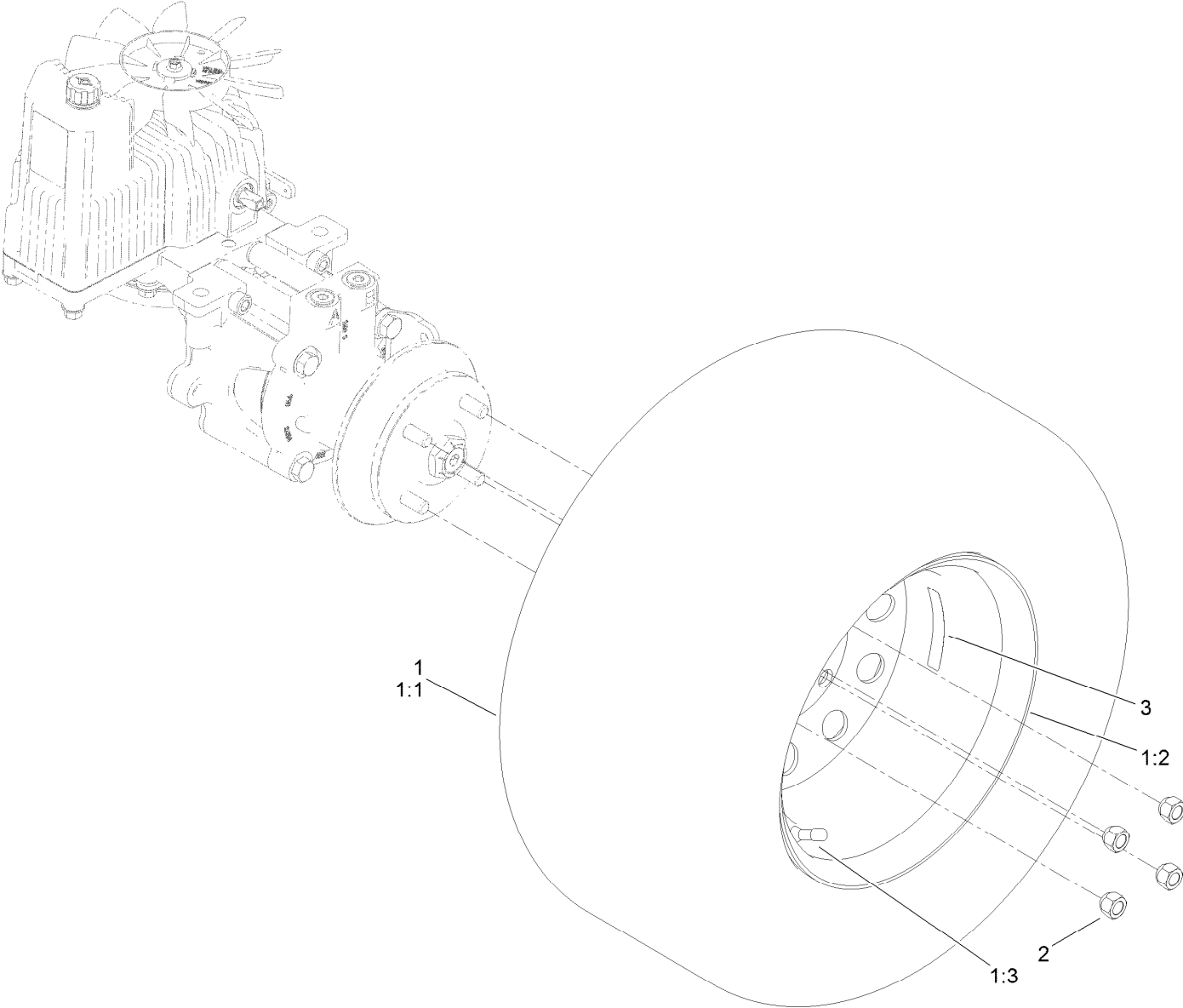
# Pump Idler Assembly No. 116-1255



## Pump Idler Assembly No. 116-1255 (continued)

<i>Ref.</i>	<i>Part Number</i>	<i>Qty.</i>	<i>Description</i>	<i>Ref.</i>	<i>Part Number</i>	<i>Qty.</i>	<i>Description</i>
2	43-0940	1	Spacer	8	323-8	1	Screw-HH
3	103-3504	2	Bearing-Spherical	9	32120-10	2	Ring-Snap
4	103-3505	1	Seal-Lip, Double	10	302-19	1	Fitting-Grease
5	103-3506	1	Seal-Lip, Single	11	109-8076	1	Pulley-Idler
6	109-6658	1	Nut-Flange, NI	12	132-4724	1	Pin-Anchor, Spring
7	106-7159	2	O-Ring				

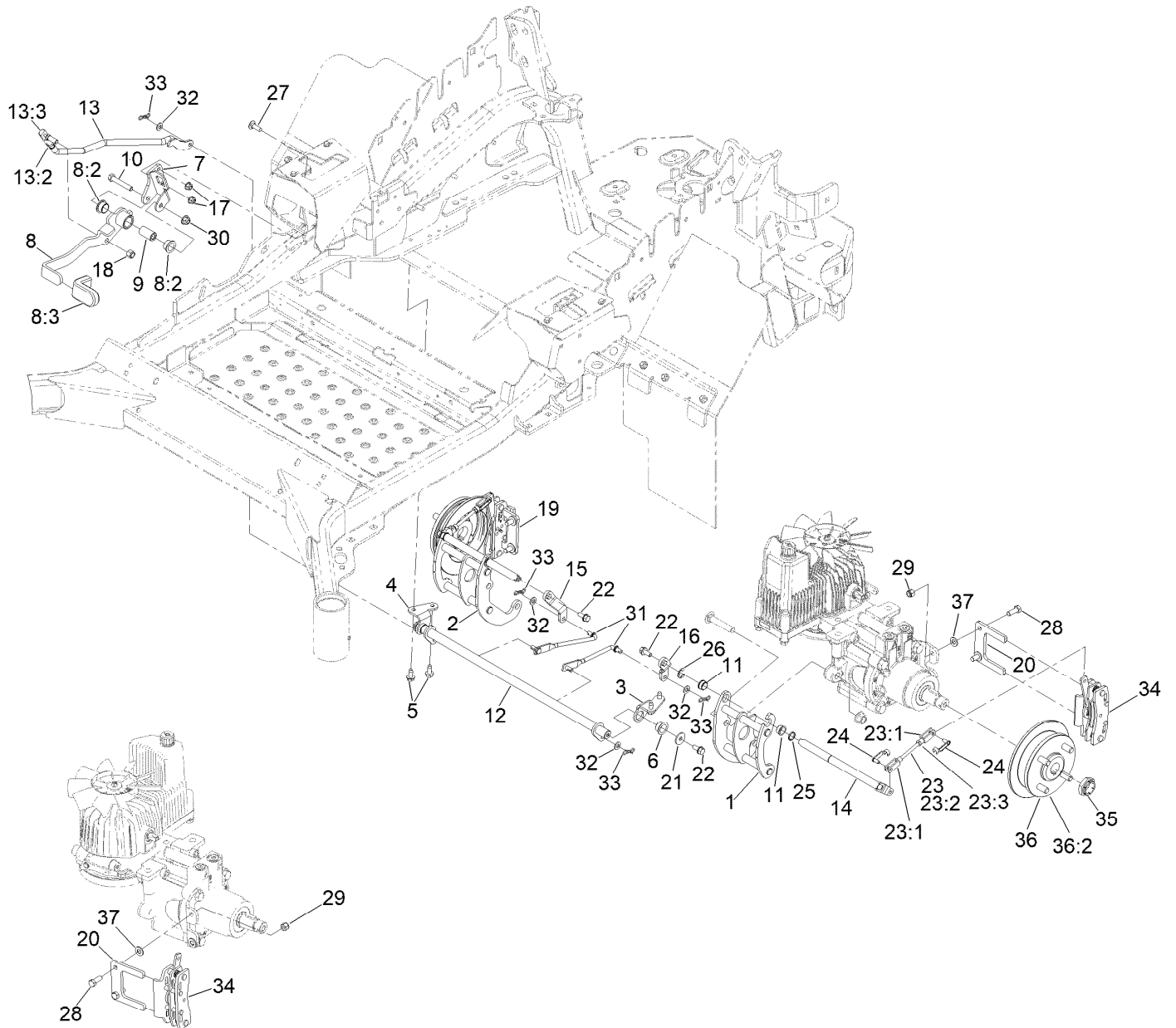
# Rear Wheel Assembly



## Rear Wheel Assembly (continued)

<i>Ref.</i>	<i>Part Number</i>	<i>Qty.</i>	<i>Description</i>	<i>Ref.</i>	<i>Part Number</i>	<i>Qty.</i>	<i>Description</i>
1	127-9521	2	Wheel And Tire ASM	1:3	232-27	1	Stem-Valve
1:1	1-633993	1	Tire	2	242-50	8	Nut-Lug
1:2	127-9522	1	Wheel	3	135-7898	2	Decal-Wheel Hub

# Park Brake Assembly



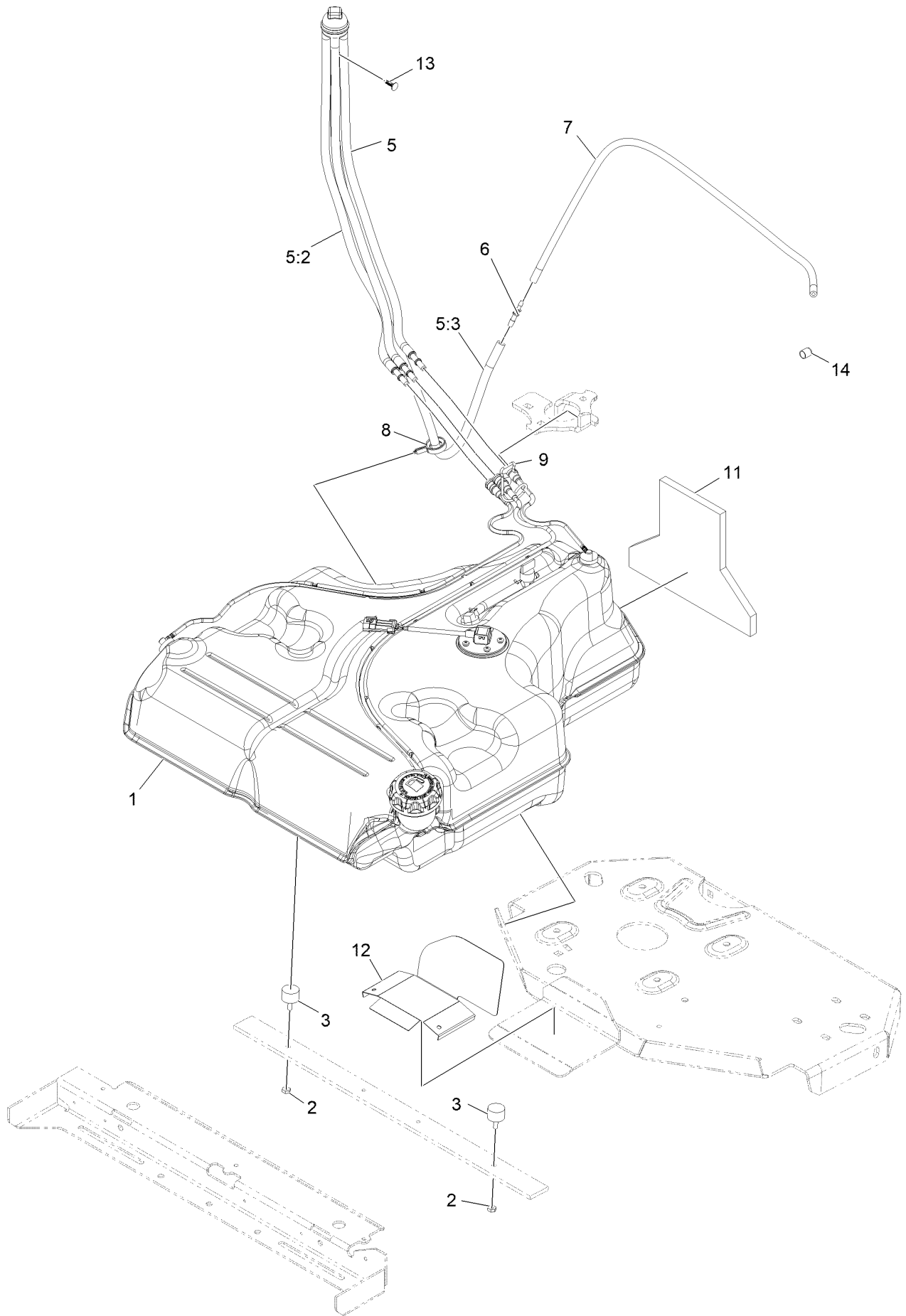
REAR VIEW OF  
RIGHT HAND HYDRO



## Park Brake Assembly (continued)

<i>Ref.</i>	<i>Part Number</i>	<i>Qty.</i>	<i>Description</i>	<i>Ref.</i>	<i>Part Number</i>	<i>Qty.</i>	<i>Description</i>
1	135-4893	1	Mount-Bellcrank, LH	19	135-7440	1	Caliper-Brake, RH
2	135-4895	1	Mount-Bellcrank, RH	20	135-7828	2	Plate-Mount, Brake
3	116-9681	1	Mount-Pivot, LH	21	115-7109	2	Washer-Flat
4	116-9682	1	Mount-Pivot, RH	22	98-9940	4	Screw-HHF
5	32144-70	4	Screw-HWH 5/16-18 X 3/4 Tf	23	126-7587	2	Rear Linkage ASM
6	109-8054	2	Bushing-Flanged	23:1	126-7588	2	Yoke
7	116-9096-01	1	Bracket-Mount	23:2	116-9069	1	Linkage, Rear
8	135-7565	1	Brake Lever ASM	23:3	3220-1	1	Nut-Jam 1/4-28
8:2	109-8054	2	Bushing-Flanged	24	126-6395	4	Pin-Clevis, Spring
8:3	132-4749	1	Grip-Lever	25	142-3422	2	Spacer
9	116-9117	1	Pivot-Handle, Brake	26	32120-19	2	E-Ring
10	323-11	1	Screw-HH 3/8-16 X 2 1/4	27	3230-2	2	Bolt-Carriage 5/16-18 X 1
11	126-6199	4	Bushing	28	135-7915	4	Screw-HH,
12	135-7800	1	Shaft-Cross	29	112-0236	4	Nut-Lock
13	135-4859	1	Front Linkage ASM	30	104-8301	1	Nut-Nyloc 3/8-16 Flg
13:2	94-7572	1	End-Tie Rod, RH	31	142-6328	2	Mid-Link, Short
13:3	3220-3	1	Nut-Jam 3/8-24	32	3256-23	4	Washer-5/16 SAE
14	135-4896	2	Bellcrank,	33	119-1415	4	Pin-Cotter, Locking
15	126-3716	1	Arm-Inner, RH	34	135-7441	1	Caliper-Brake, LH
16	126-3715	1	Arm-Inner, LH	35	116-1399	2	Locknut
17	104-8300	2	Nut-Nyloc 5/16-18 Flg	36	142-2701	2	Wheel Hub ASM
18	3296-6	1	Nut-Nyloc 3/8-24	36:2	116-1696	4	Stud-Wheel
				37	3256-24	4	Washer-Plain

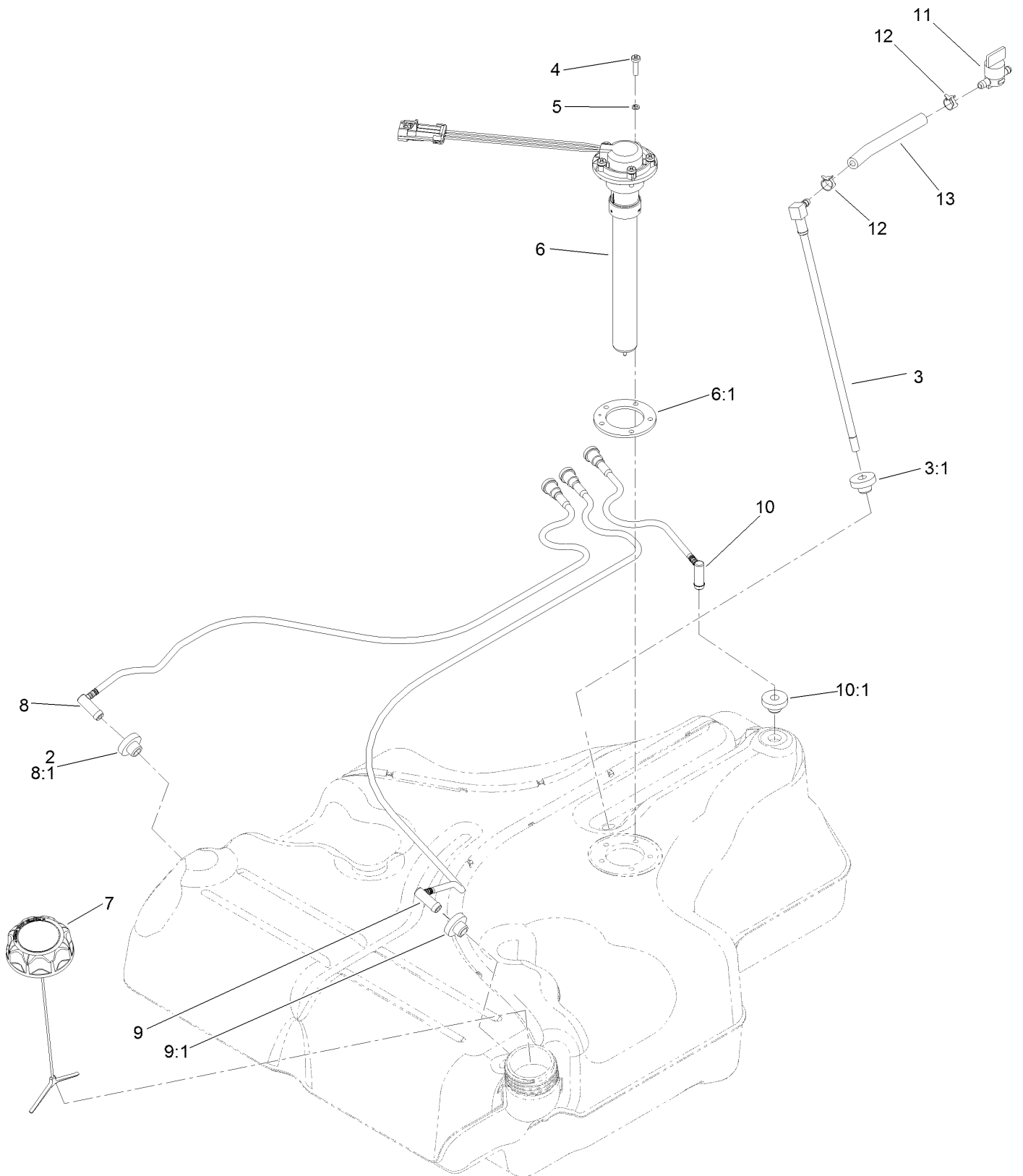
# Fuel System Assembly



## Fuel System Assembly (continued)

<i>Ref.</i>	<i>Part Number</i>	<i>Qty.</i>	<i>Description</i>	<i>Ref.</i>	<i>Part Number</i>	<i>Qty.</i>	<i>Description</i>
1	135-0643	1	Fuel Tank ASM	7	119-6074	1	Hose-Fuel
2	3218-1	2	Nut-Jam 1/4-20	8	105-1853	1	Clamp-Hose
3	1-523420	2	Bumper	9	116-6005	1	Retainer-Line, Vapor
5	127-0583	1	Fuel Manifold Vent ASM	11	126-0224	1	Insulation-Foam, Fuel Tank
5:2	109-0302	3	Hose-Fuel Line 24"	12	126-0032-01	1	Guard-Exhaust
5:3	108-5376	1	Hose-Fuel	13	125-8067	1	Plug-Plastic
6	135-5678	1	Barb-Fuel	14	116-4464	1	Plug-Port

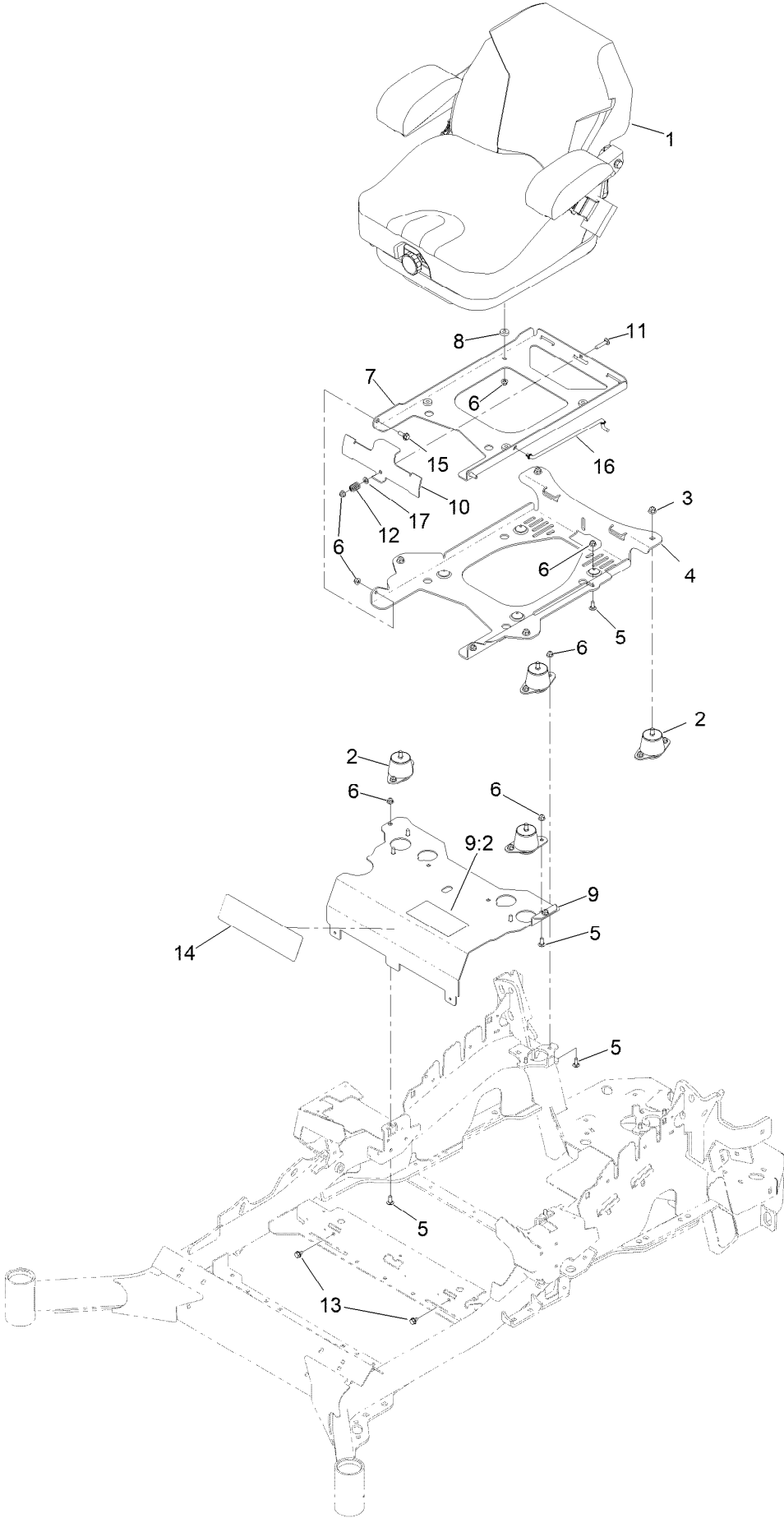
# Fuel Tank Assembly No. 135-0643



## Fuel Tank Assembly No. 135-0643 (continued)

<i>Ref.</i>	<i>Part Number</i>	<i>Qty.</i>	<i>Description</i>	<i>Ref.</i>	<i>Part Number</i>	<i>Qty.</i>	<i>Description</i>
2	46-6560	4	Bushing	8:1	46-6560	1	Bushing
3	116-2459	1	Fuel Line Kit (With Grommet)	9	116-2461	1	LH Vent Line Kit (With Grommet)
3:1	46-6560	1	Bushing	9:1	46-6560	1	Bushing
4	3290-500	5	Screw-PPH	10	116-2462	1	Rear Vent Line Kit (With Grommet)
5	3253-17	5	Washer-Lock	10:1	46-6560	1	Bushing
6	126-3913	1	Float-Sender, Fuel	11	1-603770	1	Valve-Fuel
6:1	126-3950	1	Gasket-Sender	12	2412-98	2	Clamp-Hose
7	126-1789	1	Cap-Fuel, Ratcheting	13	109-0650	1	Hose-Fuel
8	116-2460	1	RH Vent Line Kit (With Grommet)				

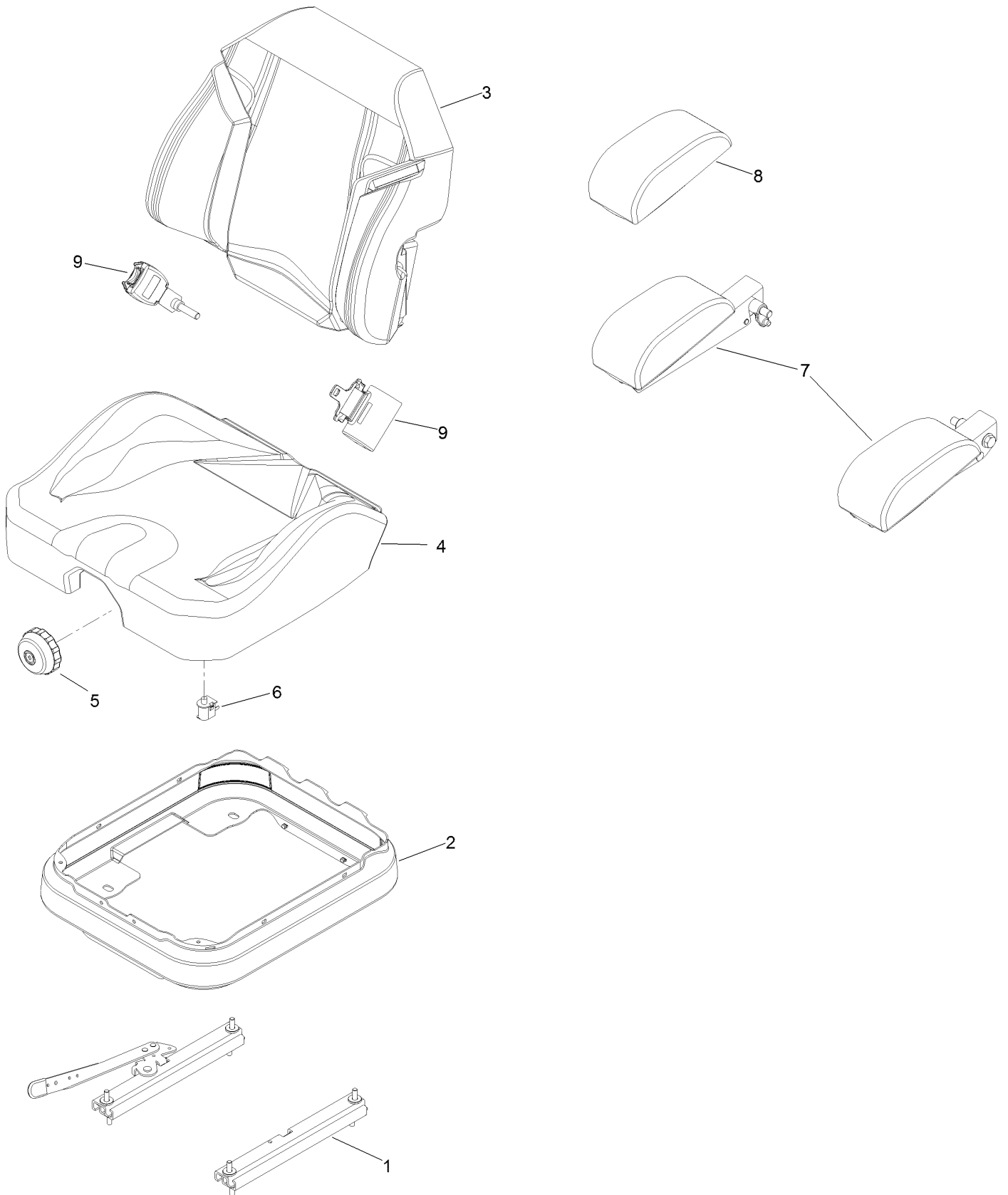
# Seat Mounting Assembly



## Seat Mounting Assembly (continued)

<i>Ref.</i>	<i>Part Number</i>	<i>Qty.</i>	<i>Description</i>	<i>Ref.</i>	<i>Part Number</i>	<i>Qty.</i>	<i>Description</i>
1	140-8003	1	Seat-Suspension	9:2	142-2935	1	Decal-Lazer 96 Service Aid
2	109-9034	4	Isolator-Seat	10	109-9881-03	1	Plate-Latch, Seat
3	104-8301	4	Nut-HF, NI	11	3230-4	1	Bolt-CARR
4	116-3860-03	1	Plate-Tilt, Seat Support	12	107-3017	1	Spring-Compression
5	3230-23	11	Bolt-CARR	13	9266934	2	Screw
6	104-8300	18	Nut-HF, NI	14	140-1215	1	Decal-Console
7	116-3859-03	1	Plate-Frame, Seat	15	116-1297	2	Screw-Shoulder
8	26-4840	4	Spacer-Pin, Mounting	16	116-0070	1	Rod-Prop
9	142-3315	1	Mount-Seat W/Decals	17	3256-23	1	Washer-Plain

# Seat Assembly No. 140-8003



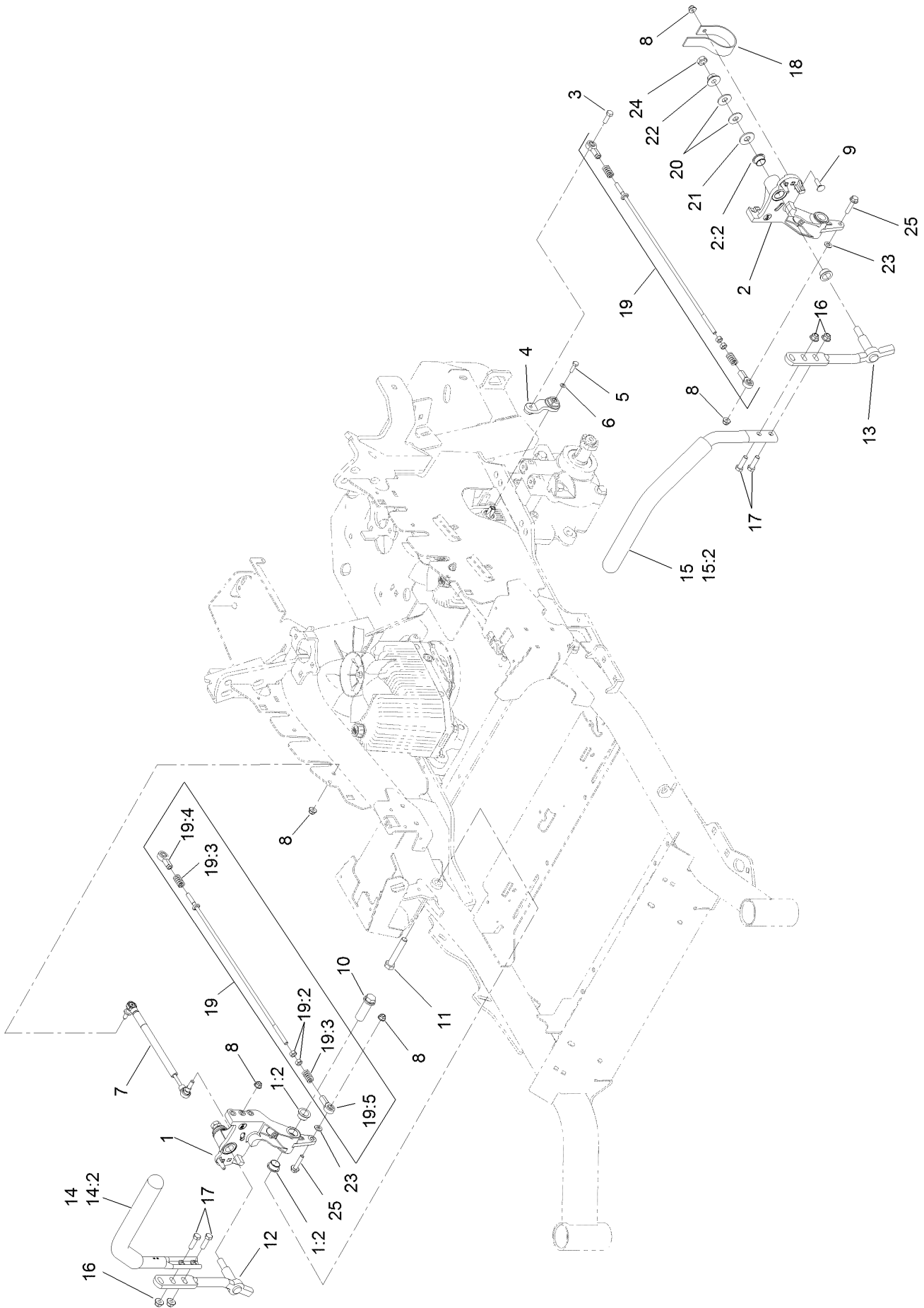


## Seat Assembly No. 140-8003 (continued)

<i>Ref.</i>	<i>Part Number</i>	<i>Qty.</i>	<i>Description</i>
1	140-8012	1	Seat Track Set
2	116-5659	1	Cover-Suspension Bellows
3	140-8004	1	Cover-Back
4	140-8005	1	Cover-Cushion
5	116-8911	1	Knob-Adjuster

<i>Ref.</i>	<i>Part Number</i>	<i>Qty.</i>	<i>Description</i>
6	82-2190	1	Switch-Bail
7	109-9803	1	Arm Rest Set
8	109-9802	1	Arm Rest Pad Set
9	126-2061	1	Seat Belt Service Kit

# Motion Control Assembly

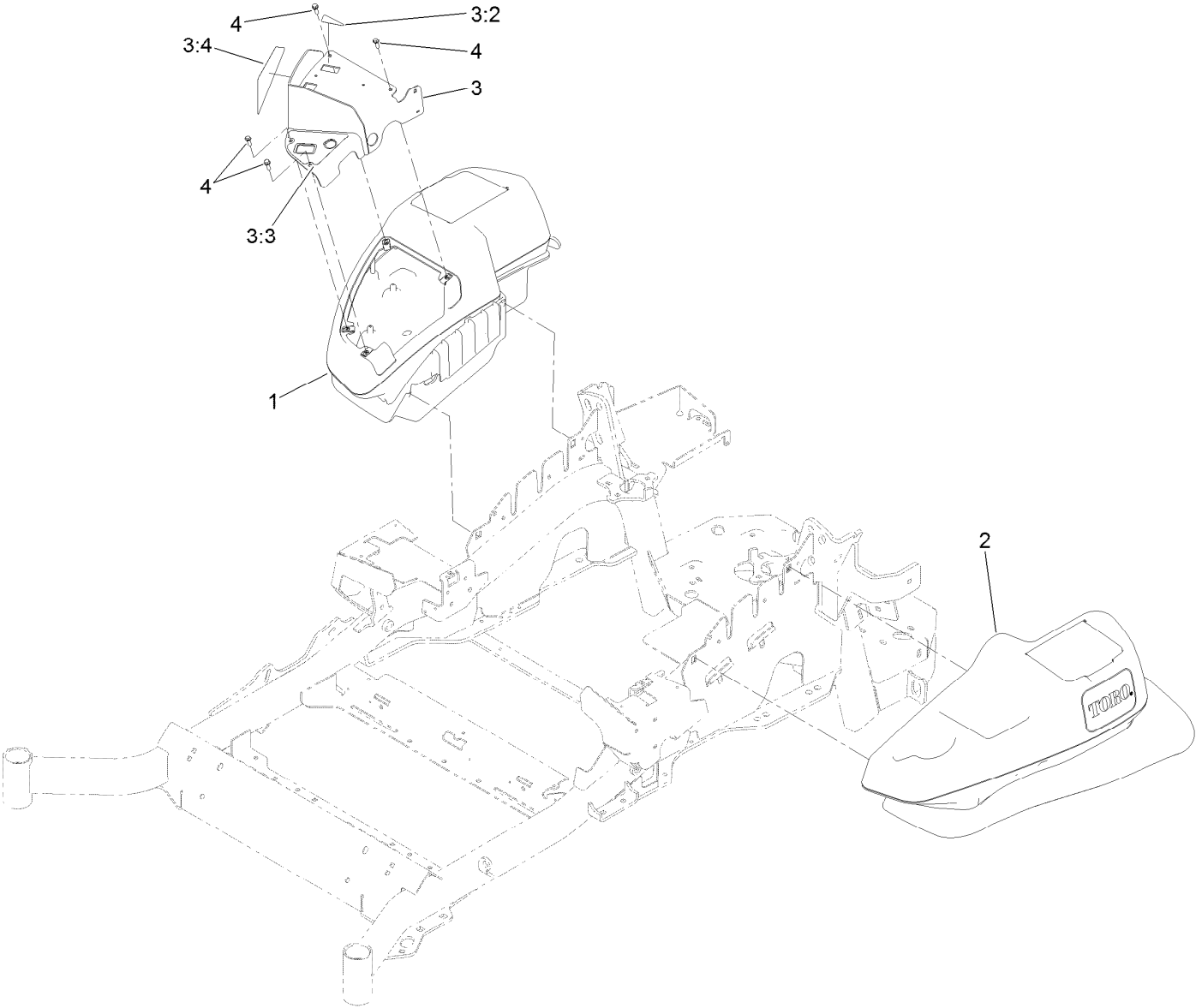


## Motion Control Assembly (continued)

<i>Ref.</i>	<i>Part Number</i>	<i>Qty.</i>	<i>Description</i>	<i>Ref.</i>	<i>Part Number</i>	<i>Qty.</i>	<i>Description</i>
1	116-0880	1	RH Motion Control And Bushing ASM	14	135-4371	1	RH Handle ASM
1:2	109-8054	4	Bushing-Flange	14:2	109-5668	1	Grip-Lever, Control
2	116-0881	1	LH Motion Control And Bushing ASM	15	135-4373	1	LH Handle ASM
2:2	109-8054	4	Bushing-Flange	15:2	109-5668	1	Grip-Lever, Control
3	116-0648	2	Screw-HH, Thread Locking ●	16	104-8301	4	Nut-HF, NI
4	109-4581	2	Arm-Control, Pump	17	323-7	4	Screw-HH
5	9080046	2	Screw-HH ●	18	109-5575	2	Spring-Leaf
6	1-303435	2	Washer-Spring	19	109-8106	2	Front Pump Linkage ASM
7	116-0027	2	Damper-Control, Motion	19:2	3219-2	2	Nut-Hex
8	104-8300	8	Nut-HF, NI	19:3	1-323245	2	Spring-Compression
9	3230-2	2	Bolt-CARR	19:4	1-633152	1	Balljoint-LH
10	109-5891	2	Hub-Threaded	19:5	1-543017	1	Balljoint-RH
11	325-12	2	Screw-HH	20	109-9505	4	Washer-Spring
12	116-0039	1	Lever-Control Motion, RH	21	3256-6	2	Washer-Flat
13	116-0040	1	Lever-Control Motion, LH	22	32128-56	2	Nut-HF
				23	3256-23	2	Washer-Plain
				24	3218-5	2	Nut-Jam
				25	115-1794	2	Screw-HHF

● Use Pro-Lock, Nut Type (P/N 1-840022, .5ml tube) on threads.

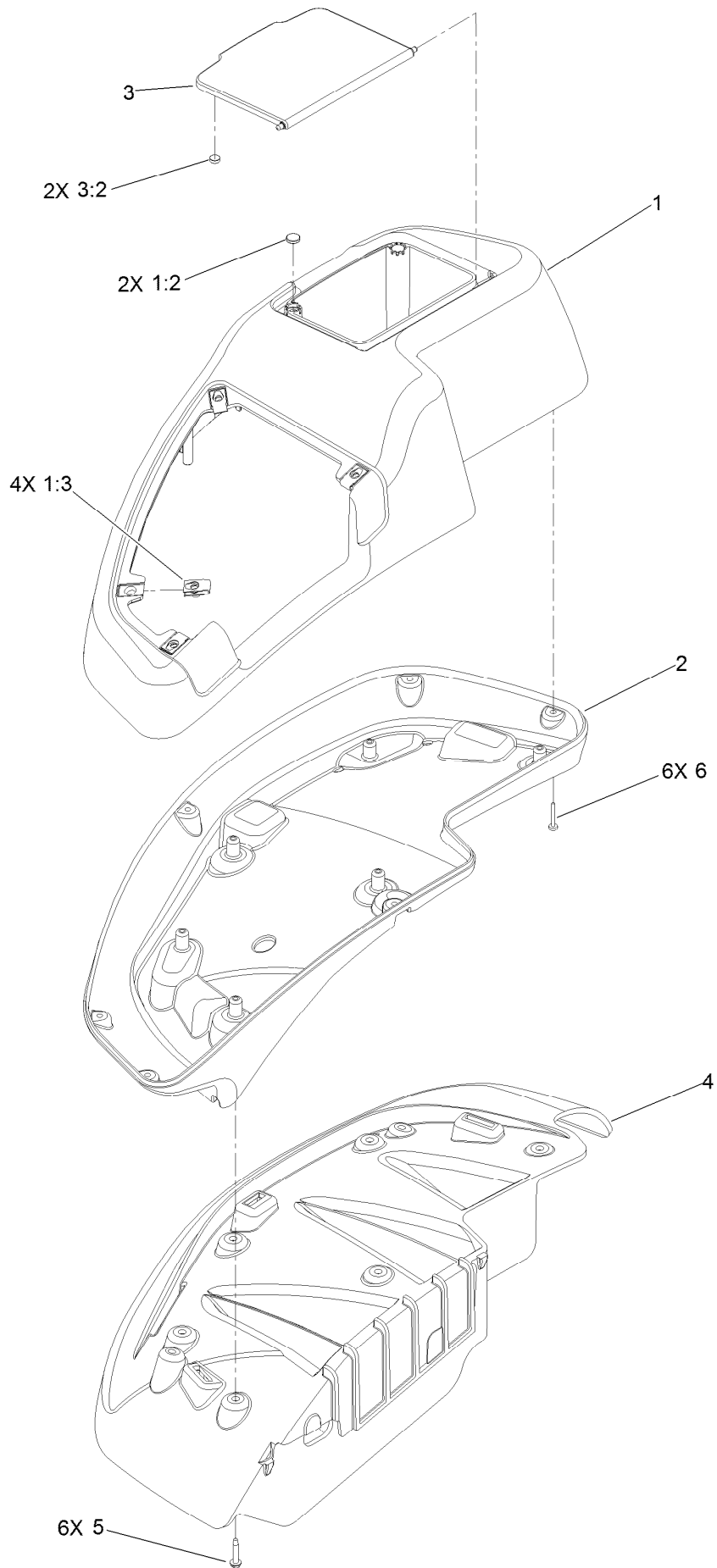
# Fender, Console and Control Assembly



## Fender, Console and Control Assembly (continued)

<i>Ref.</i>	<i>Part Number</i>	<i>Qty.</i>	<i>Description</i>	<i>Ref.</i>	<i>Part Number</i>	<i>Qty.</i>	<i>Description</i>
1	115-7400	1	RH Console ASM	3:3	136-5530	1	Decal-Control Panel
2	115-7401	1	LH Console ASM	3:4	136-5531	1	Decal-Horizon
3	135-7079	1	Control Panel ASM	4	32105-15	4	Screw-HWH
3:2	135-7057	1	Decal-Console				

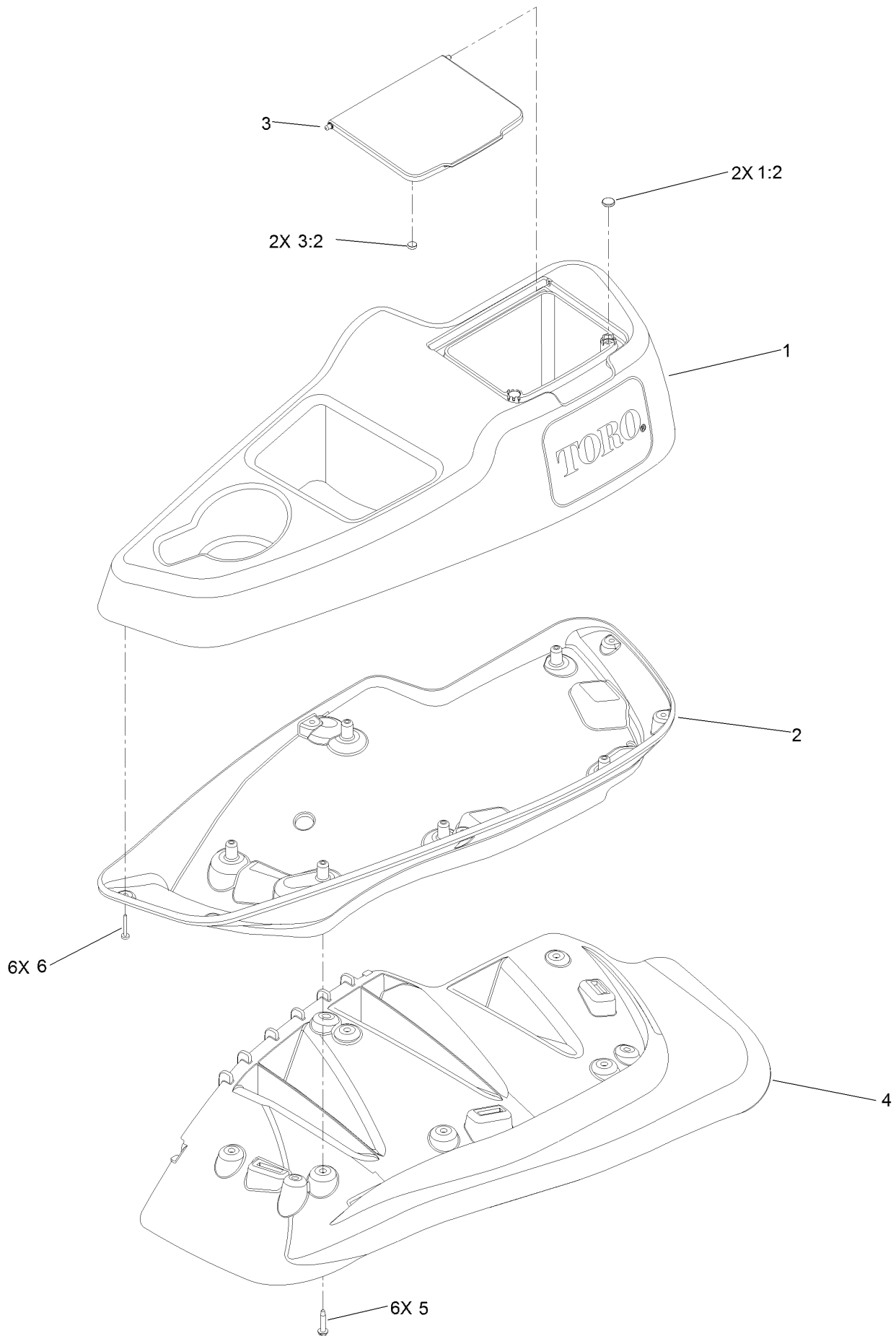
# RH Console Assembly No. 115-7400



## RH Console Assembly No. 115-7400 (continued)

<i>Ref.</i>	<i>Part Number</i>	<i>Qty.</i>	<i>Description</i>	<i>Ref.</i>	<i>Part Number</i>	<i>Qty.</i>	<i>Description</i>
1	114-1538	1	RH Wide Top Console ASM	3:2	114-5896	2	Magnet
1:2	117-0883	2	Puck	4	109-9083	1	Fender-Wide, RH
1:3	107069	4	Clip	5	32144-89	6	Screw-Thread Forming
2	115-3643	1	Console-Lower, RH Wide	6	117-0347	6	Screw-PPH
3	114-1537	1	Wide Lid ASM				

# LH Console Assembly No. 115-7401

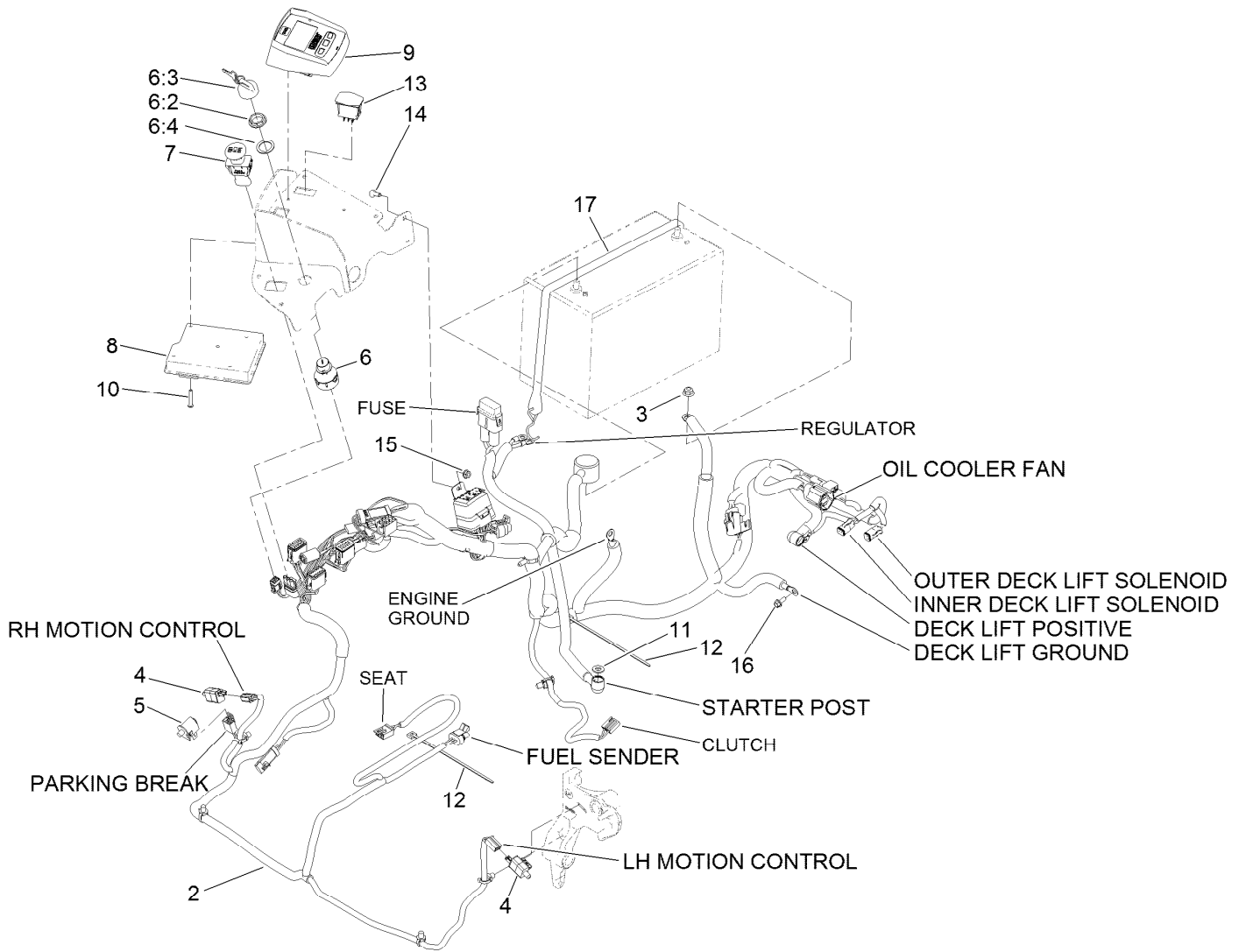




# LH Console Assembly No. 115-7401 (continued)

<i>Ref.</i>	<i>Part Number</i>	<i>Qty.</i>	<i>Description</i>	<i>Ref.</i>	<i>Part Number</i>	<i>Qty.</i>	<i>Description</i>
1	114-1539	1	LH Wide Console Top ASM	3:2	114-5896	2	Magnet
1:2	117-0883	2	Puck	4	109-9085	1	Fender-Wide, LH
2	115-3641	1	Console-Lower, LH Wide	5	32144-89	6	Screw-Thread Forming
3	114-1537	1	Wide Lid ASM	6	117-0347	6	Screw-PPH

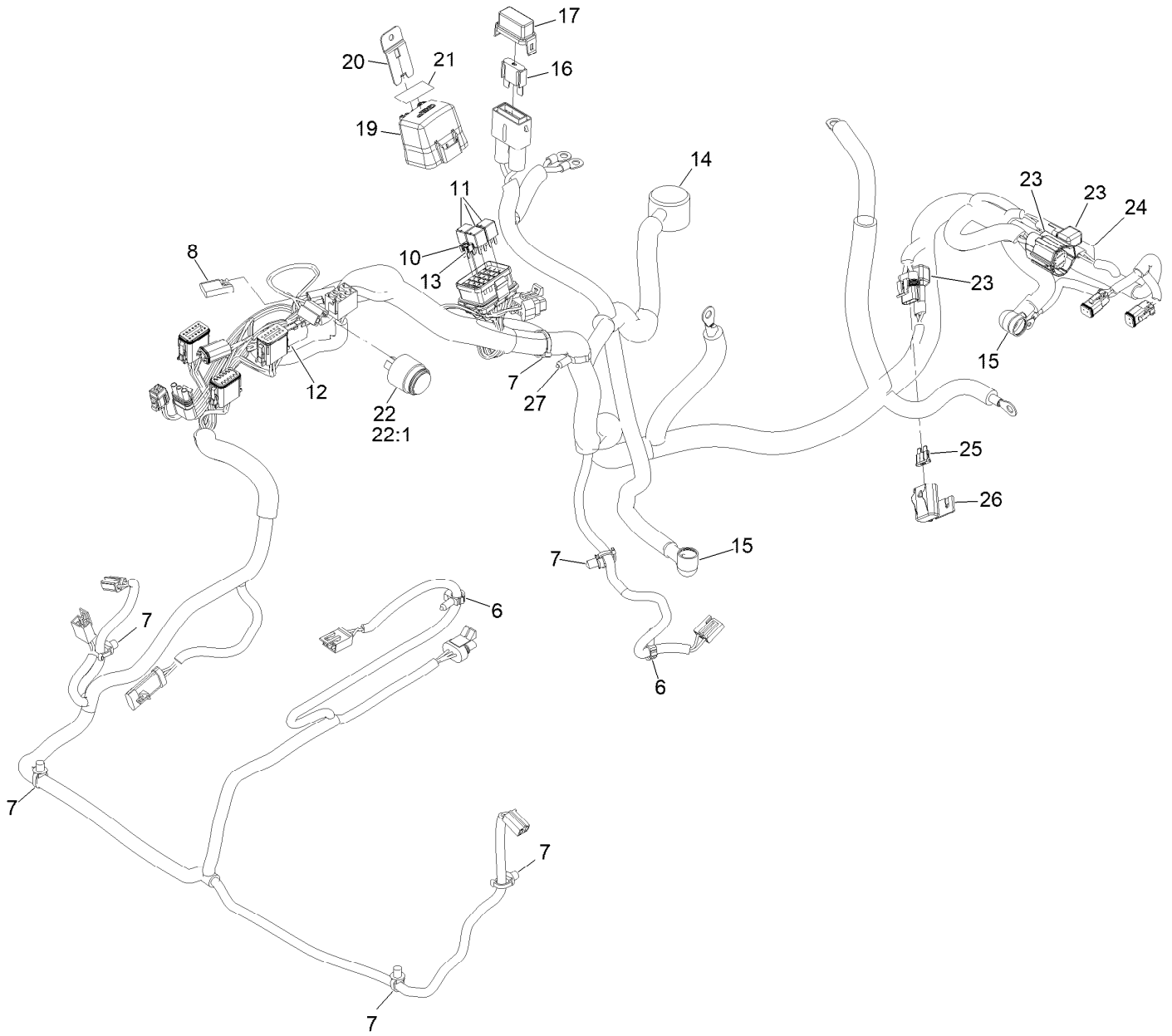
# Electrical Assembly



## Electrical Assembly (continued)

<i>Ref.</i>	<i>Part Number</i>	<i>Qty.</i>	<i>Description</i>	<i>Ref.</i>	<i>Part Number</i>	<i>Qty.</i>	<i>Description</i>
2	142-8168	1	Harness-Wire	9	126-9976	1	Module-Horizon
3	104-8301	2	Nut-HF, NI	10	126-5092	4	Screw-PPH
4	110-6765	2	Switch	11	3256-24	1	Washer-Plain
5	82-2190	1	Switch-Bail	12	3290-378	2	Tie-Cable
6	126-6285	1	Ignition Switch ASM	13	100-1535	1	Switch-Rocker, (On)-Off-(On)
6:2	108-8660	1	Nut-Mounting	14	1-807512	1	Bolt-CARR
6:3	106-5270	1	Ignition Key Set	15	32128-33	1	Nut-HF
6:4	108-8659	1	Washer-Backup	16	99-6810	1	Screw-HHF
7	126-6187	1	Switch-PTO, Sealed	17	135-4440	1	Strap
8	135-3427	1	Module-Mcu				

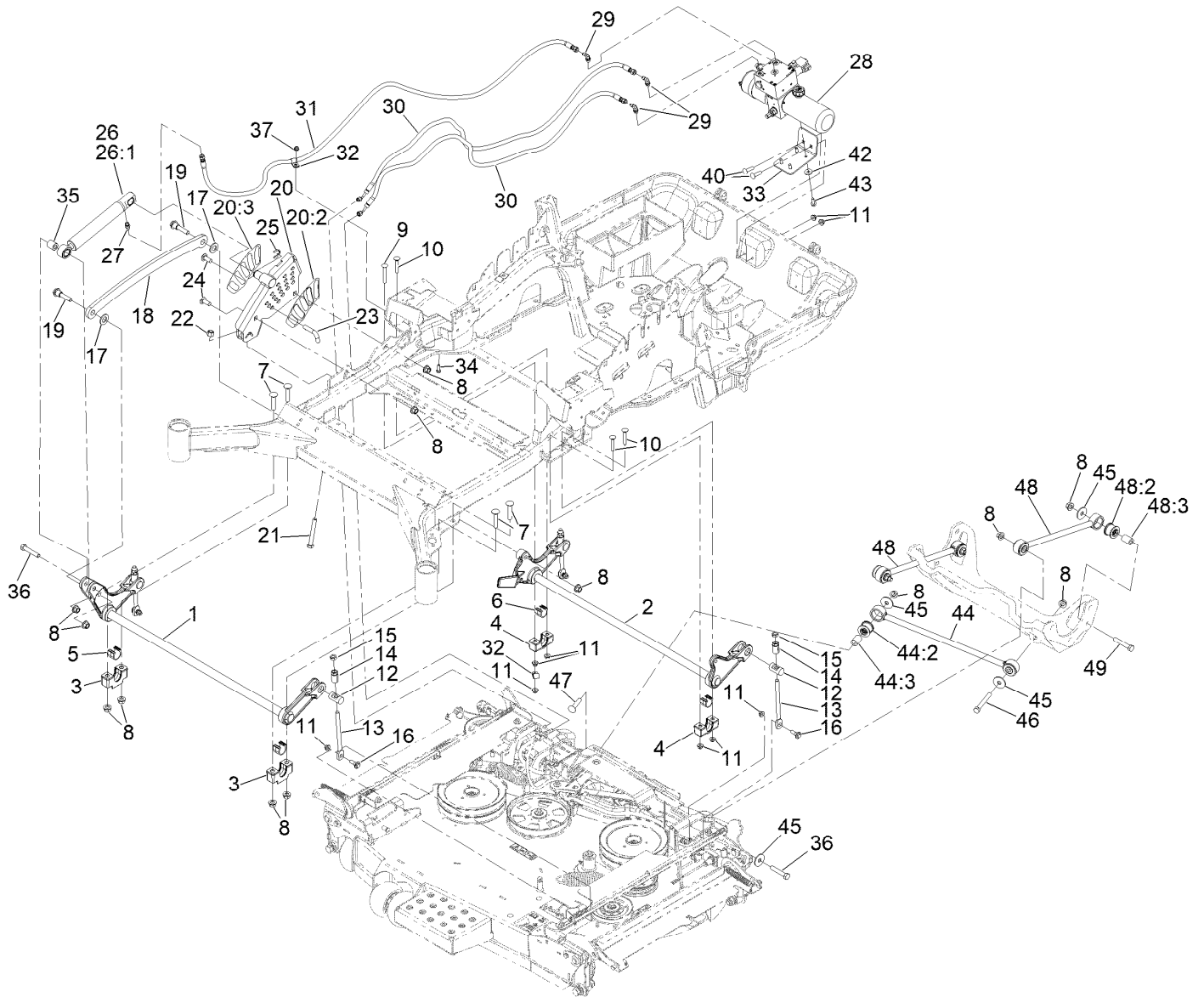
# Electrical Harness Assembly No. 142-8168



## Electrical Harness Assembly No. 142-8168 (continued)

<i>Ref.</i>	<i>Part Number</i>	<i>Qty.</i>	<i>Description</i>	<i>Ref.</i>	<i>Part Number</i>	<i>Qty.</i>	<i>Description</i>
6	32180-037	2	Clip-Harness	20	32180-177	1	Clip-Mounting
7	32180-030	6	Clip-Tie	21	135-7226	1	Decal-Fuse
8	32180-197	1	Cap-Plug	22	80-9330	1	Audio Alarm ASM
10	121-8868	1	Fuse-Mini Blade, 20 Amp	22:1	104-5107	1	Nut-Plastic, Knurled
11	126-3991	3	Relay-Micro	23	100-4918	3	Diode
12	32180-156	1	Cap-Plug, 6 Way	24	135-1366	1	Resistor - 30K Ohms 2W 5% Overmolded
13	121-8867	1	Fuse-Mini Blade, 15 Amp	25	99-6124	1	Fuse-40 Amp
14	109-2407	1	Insulator-Battery	26	32180-019	1	Cover-Fuse, Single
15	1-543393	2	Insulator-Solenoid	27	32180-067	1	Clip-Harness, Tubing (16MM)
16	94-8002	1	Fuse-Blade, 50 Amp				
17	32181-014	1	Cover-Fuse Holder, Maxi				
19	32181-013	1	Cover-Fuseblock, 24F, Gep				

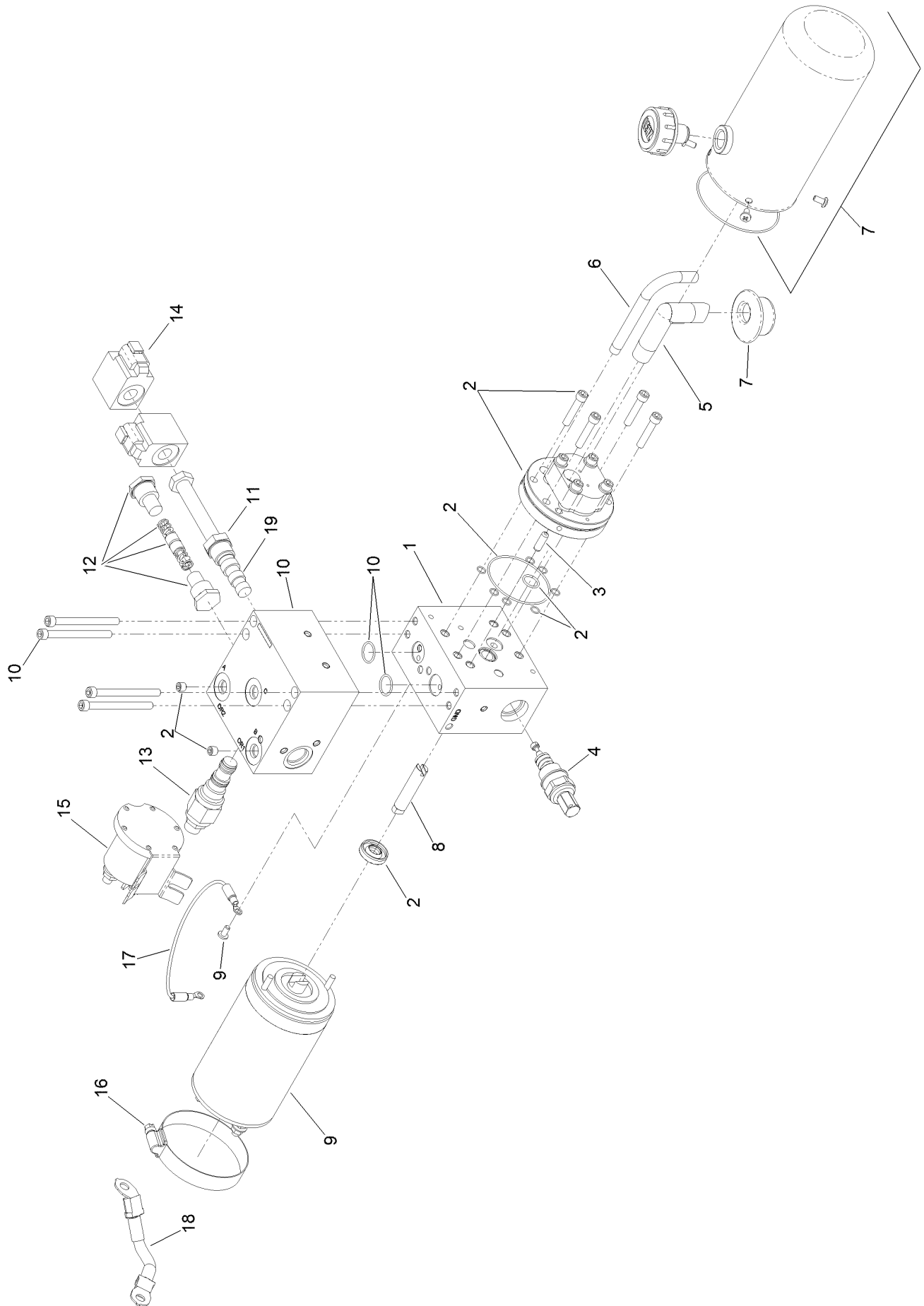
# Deck Lift Assembly



## Deck Lift Assembly (continued)

<i>Ref.</i>	<i>Part Number</i>	<i>Qty.</i>	<i>Description</i>	<i>Ref.</i>	<i>Part Number</i>	<i>Qty.</i>	<i>Description</i>
1	135-1216-03	1	Lift-Deck, Front	25	32151-91	1	Ring-Retaining
2	116-2645-03	1	Lift-Deck, Rear	26	126-7841	1	Lift Cylinder ASM
3	109-9409	2	Support-Bearing, Cross Shaft (Front)	26:1	142-2767	1	Kit, CYL Repair
4	127-0553	2	Support-Bearing, Cross Shaft (Rear)	27	109-2017	1	Adapter, Straight
5	109-9410	2	Bearing-Cross Shaft, Front	28	135-1582	1	Power Unit
6	109-7173	2	Bearing-Cross Shaft, Rear	29	109-0760	3	Adapter, 90°
7	116-1700	4	Bolt-CARR	30	135-3330	2	Hose-HYD, HP
8	99-5107	15	Nut-Lock	31	135-3331	1	Hose-HYD, HP
9	3231-9	1	Screw-CARR	32	2412-138	2	R-Clamp
10	3231-7	3	Screw-CARR	33	142-2158-03	1	Mount-Power Unit
11	104-8301	11	Nut-HF, NI	34	322-4	1	Screw-HH
12	109-8353	4	Trunnion	35	135-1215	1	Spacer-Pivot
13	109-8007	4	Link-Adjuster, Deck Lift	36	325-11	3	Screw-HH
14	109-7840	4	Adjuster-Lift, Deck	37	104-8300	1	Nut-HF, NI
15	3218-5	4	Nut-Jam	40	3231-26	2	Screw-CARR
16	109-9840	4	Screw-Shoulder, HHF	42	3290-461	4	Washer-Spring
17	3256-28	2	Washer-Flat	43	3234-29	4	Screw-HHF
18	116-0797-03	1	Link-Lift, Deck	44	109-5013	1	Panhard Rod ASM
19	116-2022	2	Screw-HHF, Shoulder	44:2	109-5009	2	Bushing-Suspension, Rubber
20	126-7866	1	HOC ASM	44:3	109-5010	2	Spacer
20:2	126-9275	1	Decal-HOC	45	86-1990	6	Washer-Thrust
20:3	135-1432	1	Decal-HOC, Outer	46	325-17	1	Screw-HH
21	116-0559	1	Bolt-TAP	47	3233-34	1	Screw-CARR
22	3296-23	1	Nut-Lock, NI	48	142-3269	2	ASM, Deck Strut
23	116-5584	1	Pin-HOC	48:2	135-2466	2	Bushing-Rubber
24	3233-26	2	Screw-CARR,Shortneck	48:3	109-5010	2	Spacer
				49	325-12	2	Screw-HH

# Power Unit Assembly No. 135-1582





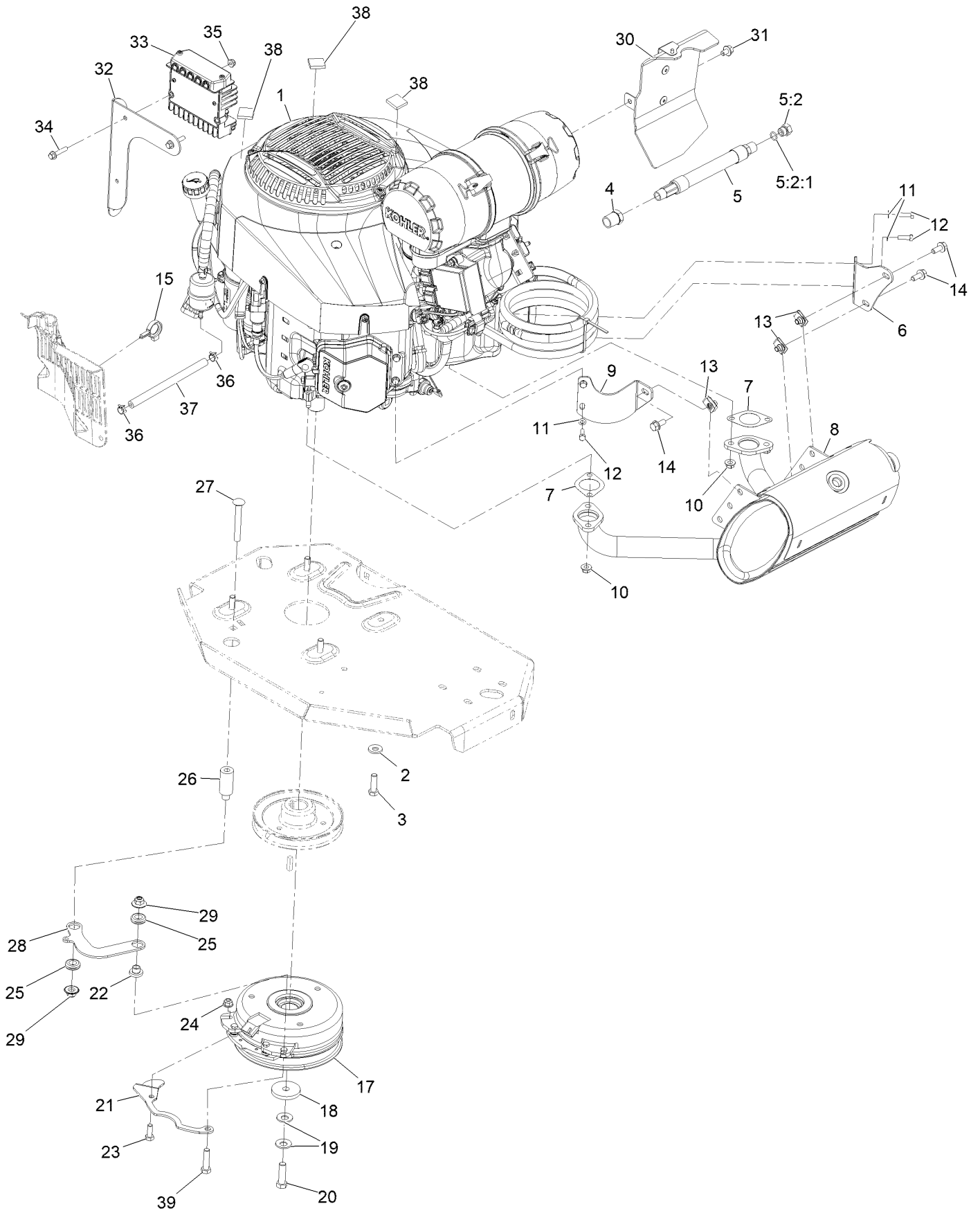
## Power Unit Assembly No. 135-1582 (continued)

<i>Ref.</i>	<i>Part Number</i>	<i>Qty.</i>	<i>Description</i>	<i>Ref.</i>	<i>Part Number</i>	<i>Qty.</i>	<i>Description</i>
1	135-7603	1	Base Assy, M3298, 3.0 Mtr	12	135-7614	1	Parts Kit, Dbl Po Ck
2	135-7604	1	P Assy, Kit, I, M3298, -100				Vlv, 4Inman
3	135-7605	2	Pin, Dowel, 1/4 X 3/4	13	135-7615	1	Counterbalance, 08,
4	135-7606	1	Valve, Relief, Vm01, 210-320				5000-PSI
			Bar	14	135-7616	2	Coil, 12Vdc, 16W, Rect,
5	HYD09361	1	Inlet Tube, Bu				Deutsch
6	135-7608	1	Tube, Return, 90DEG,	15	HYD13624	1	Power Unit Solenoid
			1/8NPTF				Kit, ATV/Ms-UTV
7	135-7609	1	Parts Kit, Resv, Stl, 3.375 X	16	HYD13634	1	Clamp, Hose, Worm
			7.0				GR, 2.3-3.25
8	135-7610	1	Shaft, Intermediate, Micro,	17	135-7619	1	Wire Assy, Cntrl, 16Awg,
			DC				Hs, Ring
9	135-7611	1	Motor, DC, 12V, 3In, 1 Term	18	135-7620	1	Cable, Insulated, W/Lugs,
10	135-7612	1	Parts Kit, Manifold				5In, 6GA
			Assy, M3200	19	135-7880	1	Parts Kit, Seal, 4W/3P Valve
11	135-7613	1	Cartridge, 4W/3P, 3000PSI,	99	135-2834	1	Ruby Tran-1 Gal ●■
			Mc, #8	99	142-4398	1	Cap-Powerunit ●■

● Not illustrated

■ Optional Equipment

# Engine Assembly



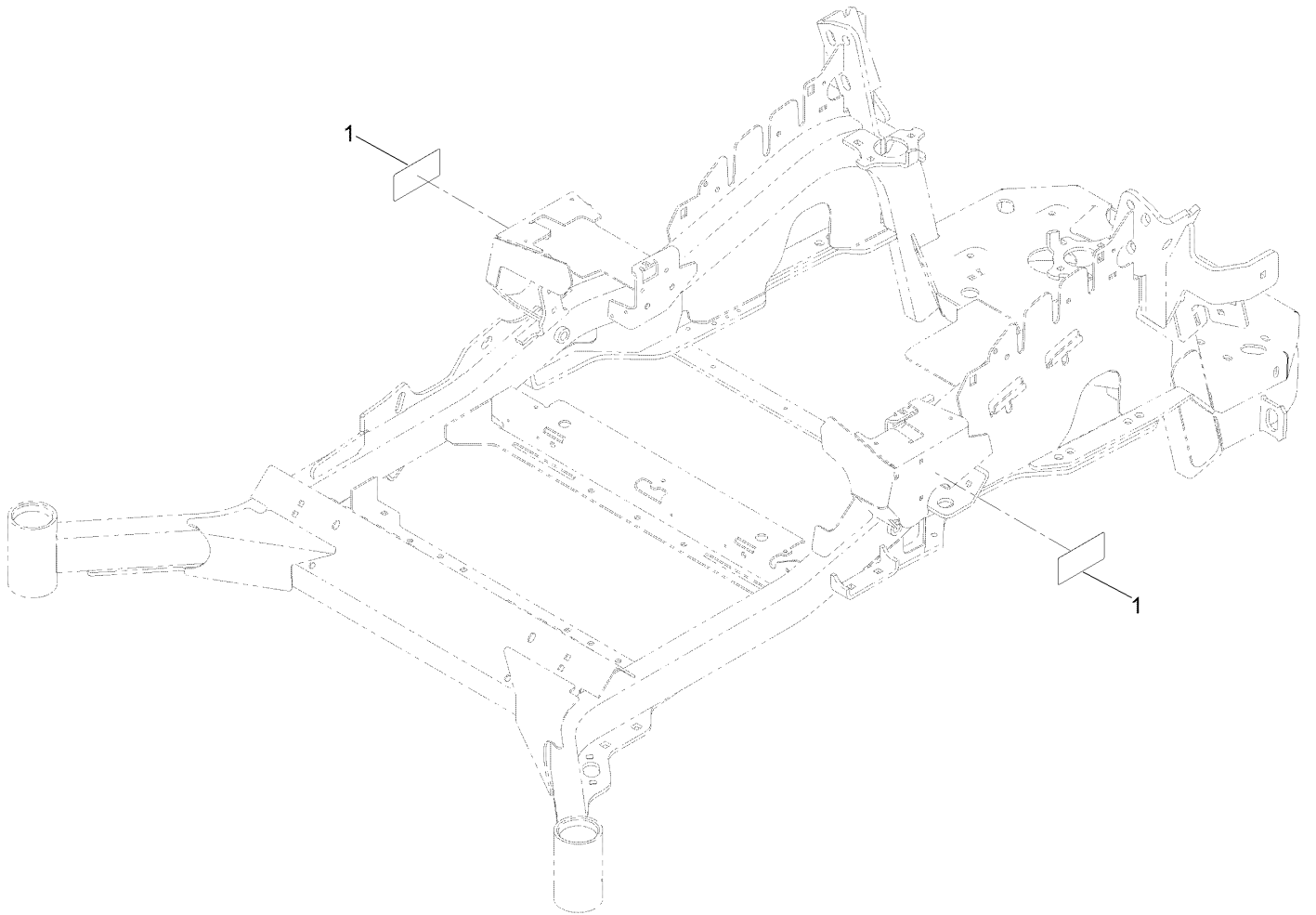
## Engine Assembly (continued)

<i>Ref.</i>	<i>Part Number</i>	<i>Qty.</i>	<i>Description</i>	<i>Ref.</i>	<i>Part Number</i>	<i>Qty.</i>	<i>Description</i>
1		1	Engine-Kohler Ecv980 - 3022 ●■	20	109-9761	1	Screw-HH 7/16-20 X 1 1/2 W/Loctite
2	98-5975	4	Washer-Spring Disc 3/8	21	116-3331-01	1	Belt-Guide
3	323-7	4	Screw-HH 3/8-16 X 1 1/4	22	116-3318	1	Spacer
4	103-1390	1	Bushing	23	322-4	2	Screw-HH 5/16-18 X 7/8
5	135-7298	1	Oil Drain Hose ASM	24	104-8300	2	Nut-Nyloc 5/16-18 Flg
5:2	353-508	1	Plug-W/O-Ring	25	93-5108	2	Grommet-Rubber
5:2:1	237-42	1	O-Ring	26	116-3319	1	Spacer
6	116-9048	1	Bracket-Muffler	27	3231-42	1	Bolt-Carriage 3/8-16 X 3
7	126-0359	2	Gasket-Exhaust	28	116-3317-01	1	Link-Anchor, Clutch
8	126-4645	1	Muffler	29	109-6658	2	Nut-Nyloc 3/8-16 Flg
9	126-5620	1	Bracket-Muffler, Front	30	135-7326	1	Baffle ASM
10	116-9626	4	Nut-Flange, Lock	31	68-9410	1	Screw-HH M8-1.25 X 12Mm
11	1-303435	4	Washer-Spring Disc 1/4	32	135-7731-03	1	Mount-Regulator
12	116-4295	4	Screw-HH M6-1 X 20Mm W/Patch	33	135-4434	1	Regulator And Rectifier ASM
13	94-2413	3	Nut-U 5/16-18	34	127-8639	2	Screw-HHF
14	3234-5	3	Screw-HH Flg 5/16-18 X 3/4	35	104-7201	2	Nut-Nyloc 1/4-20 Flg
15	105-1853	1	Clamp-Hose	36	2412-98	2	Clamp-Hose
17	126-4185	1	Clutch Kit	37	109-0303	1	Hose-Fuel Line 7"
18	109-6919	1	Washer-Plain	38	93-9155	3	Velcro
19	1-603610	2	Washer-Spring Disc 7/16	39	323-8	1	Screw-HH 3/8-16 X 1 1/2

● Not serviced separately

■ Obtain parts from [www.kohlerplus.com](http://www.kohlerplus.com)

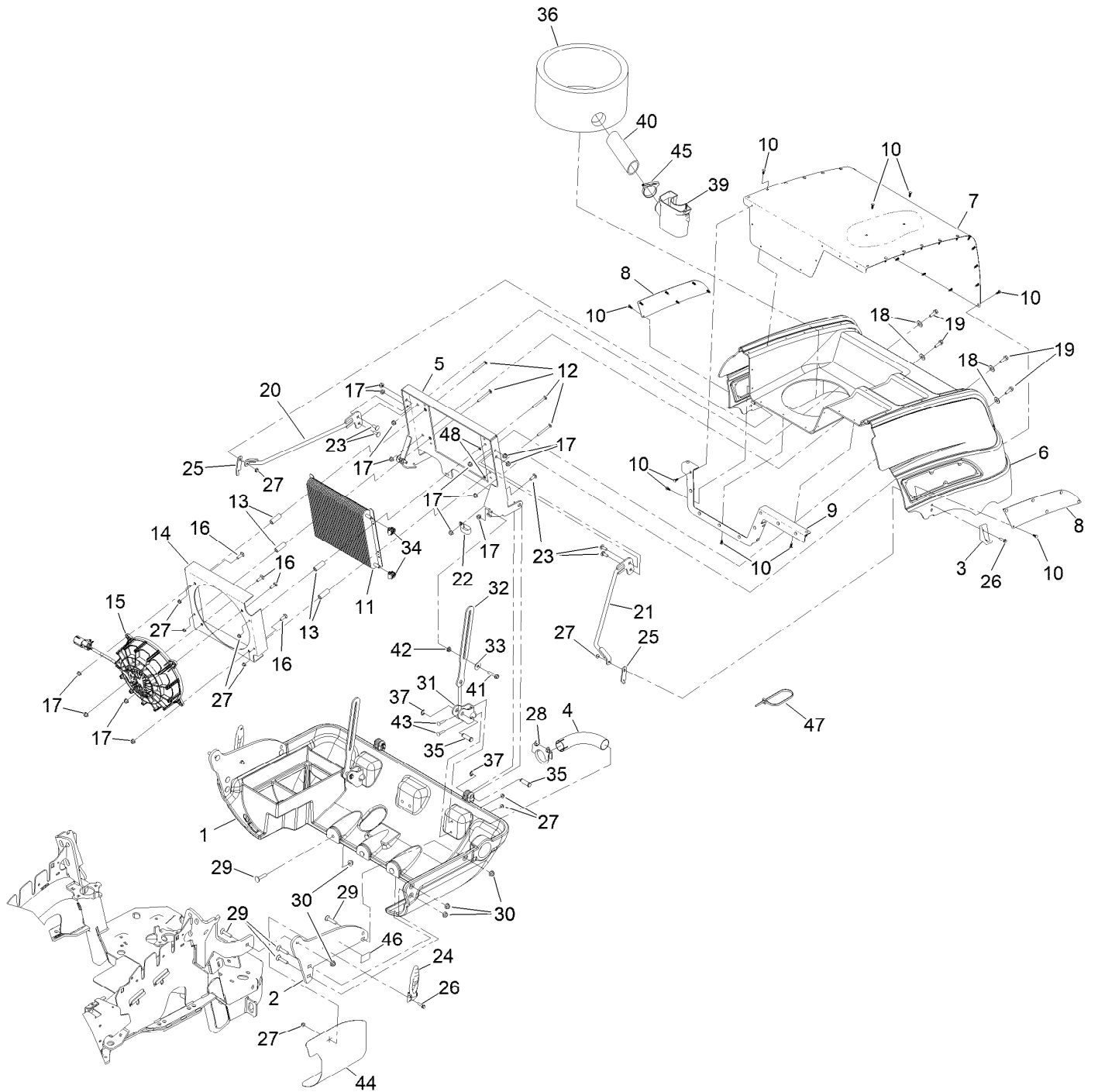
# Frame Decal Assembly



## Frame Decal Assembly (continued)

<i>Ref.</i>	<i>Part Number</i>	<i>Qty.</i>	<i>Description</i>
1	140-4909	2	Decal-7500 Series

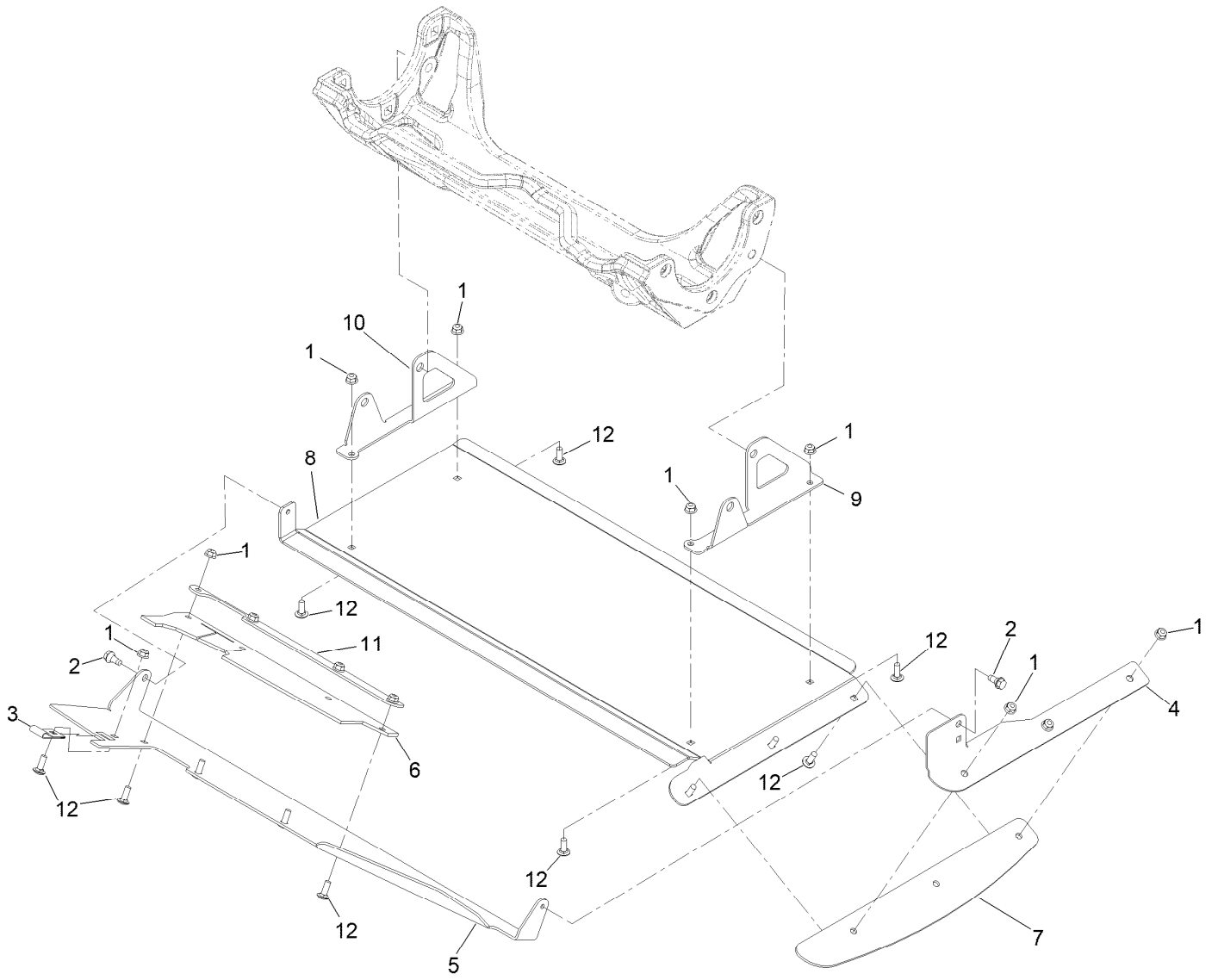
# Hood and Oil Cooler Assembly



## Hood and Oil Cooler Assembly (continued)

<i>Ref.</i>	<i>Part Number</i>	<i>Qty.</i>	<i>Description</i>	<i>Ref.</i>	<i>Part Number</i>	<i>Qty.</i>	<i>Description</i>
1	135-3340-03	1	Casting-Lower, Rear	25	135-3353	2	Stop-Hood
2	135-3344-03	2	Plate-Mount	26	120-4654	4	Screw-HHF
3	126-8672	2	Latch-Catch	27	104-7201	12	Nut-HF, NI
4	135-1459	1	Tube-Exhaust	28	18-2130	1	Clamp
5	135-3317-03	1	Mount-Cooler	29	3231-5	11	Screw-CARR
6	135-3345	1	Hood	30	104-8301	11	Nut-HF, NI
7	135-3324-03	1	Screen-Intake	31	135-4438-03	2	Bracket-Mount, Slide
8	135-3332-03	2	Screen-Intake	32	135-3321-03	2	Slide-Hood
9	135-4437-03	1	Cap-Perforation, Hood	33	52-2900	2	Washer-Plastic
10	120-6737	57	Plug-Plastic	34	135-7984	2	Clamp-Hose
11	135-1223	1	Cooler-Oil	35	135-3347	4	Pin
12	3229-8	4	Screw-CARR	36	135-3319	1	Foam-Inlet, Air
13	95-6448	4	Spacer	37	32120-47	4	Ring-Retaining, External
14	135-2391-03	1	Mount-Fan	39	135-7203	1	Mount-Hose
15	135-0877	1	Fan	40	135-7442	1	Hose-Air Intake
16	3230-22	4	Screw-CARR	41	115-1794	2	Screw-HHF
17	104-8300	15	Nut-HF, NI	42	32128-20	2	Nut-HF
18	3256-4	4	Washer-Flat	43	3229-3	4	Screw-CARR
19	3234-29	4	Screw-HHF	44	135-7312	1	Barrier-Heat
20	135-4892	1	Support-Hood, RH	45	135-7836	1	Clamp
21	135-4874	1	Support-Hood, LH	46	106-5517	1	Decal-Warning
22	120-1959	1	Clamp	47	3290-378	2	Tie-Cable
23	3230-10	5	Bolt-CARR	48	32115-15	4	Nut-Push
24	103-2898	2	Latch-Rubber				

# Discharge Tunnel Assembly

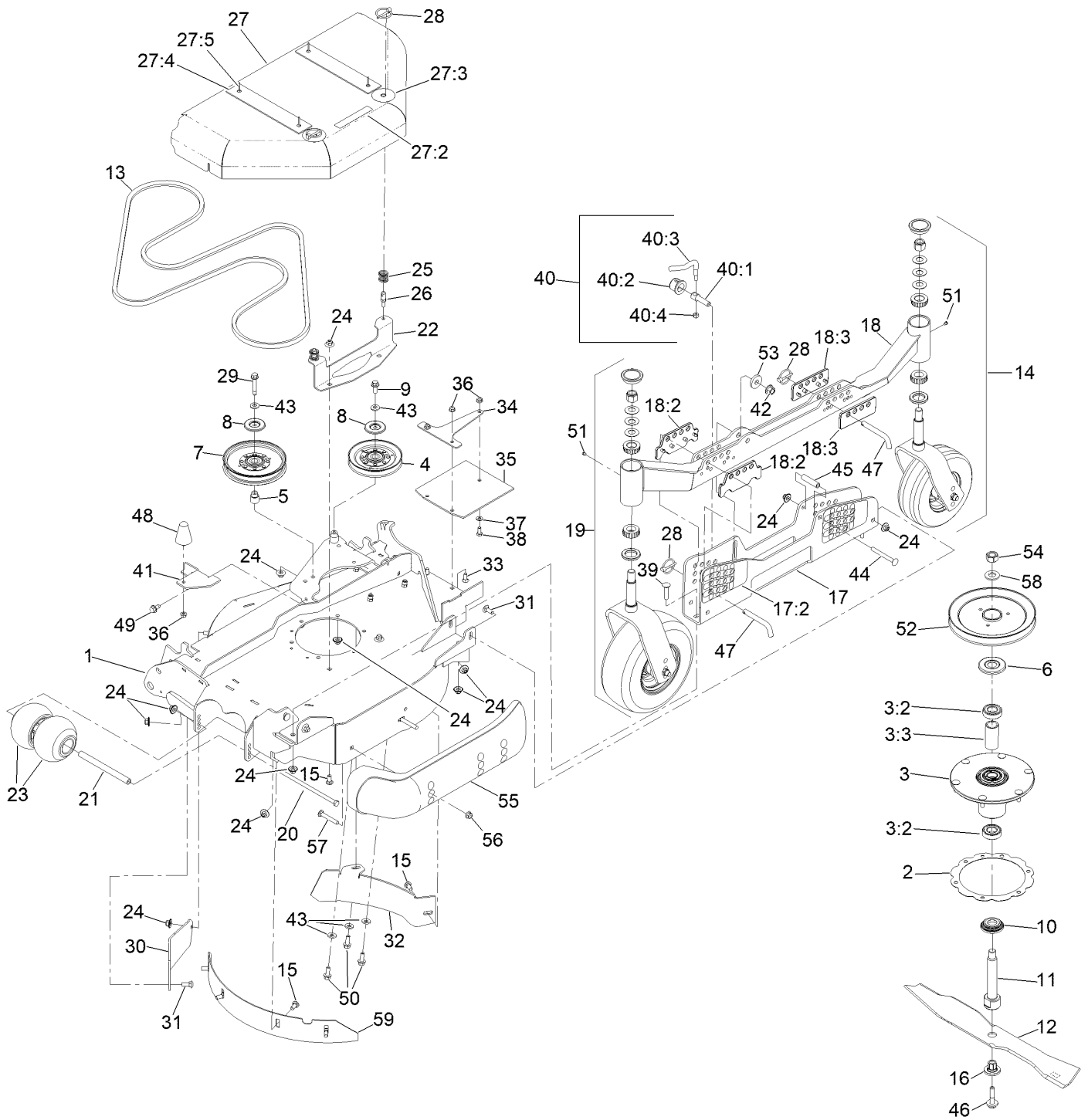




## Discharge Tunnel Assembly (continued)

<i>Ref.</i>	<i>Part Number</i>	<i>Qty.</i>	<i>Description</i>	<i>Ref.</i>	<i>Part Number</i>	<i>Qty.</i>	<i>Description</i>
1	104-8300	12	Nut-HF, NI	7	135-3789	1	Flap-Rubber
2	126-4424	2	Screw-Shoulder	8	135-5932-03	1	Panel-Discharge
3	135-0608	2	Bearing-Strap, Nylon	9	135-7041-03	1	Bracket-Tunnel Hanger LH
4	135-2090-03	1	Bracket-Flap, LH	10	135-7042-03	1	Bracket-Tunnel Hanger RH
5	135-2657-03	1	Panel-Discharge	11	135-7046-03	1	Support-LH Flap Rd96
6	135-3769	1	Flap-Discharge	12	3230-10	12	Bolt-CARR

# LH Wing Deck Assembly

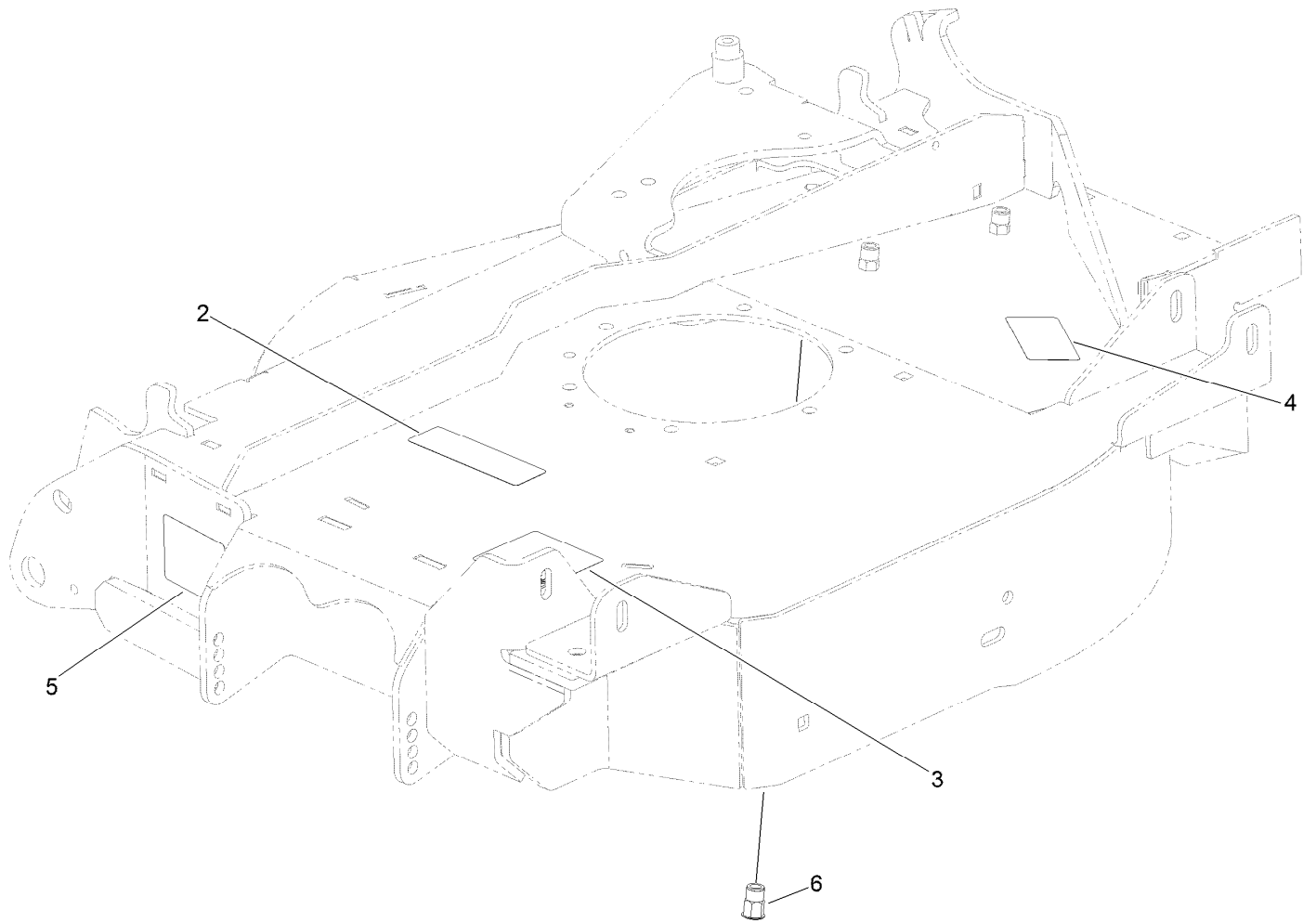


## LH Wing Deck Assembly (continued)

<i>Ref.</i>	<i>Part Number</i>	<i>Qty.</i>	<i>Description</i>	<i>Ref.</i>	<i>Part Number</i>	<i>Qty.</i>	<i>Description</i>
1	146-0513	1	ASM-Deck, LH Wing 96 T	28	92-1298	4	Pin-Lynch
2	140-0986	1	Ring-Spacer, Housing	29	126-2956	1	Screw-HHF
3	137-9780	1	Spindle ASM	30	126-9757-01	1	Plate-Fill
3:2	116-0720	2	Bearing-Ball	31	3231-2	6	Bolt-CARR
3:3	138-6042	1	Spacer-Bearing	32	135-3461-01	1	Baffle-Block
4	126-2960	1	Idler-V	33	3230-16	2	Screw-CARR
5	1-633456	1	Bushing, Idler	34	135-0618-03	1	Support-Flap, LH
6	103-1330	1	Guard-Bearing, Top	35	135-1849	1	Guard-Tire, LH
7	126-7685	1	Idler-Pulley	36	104-8300	4	Nut-HF, NI
8	126-8043	2	Shield-Dust	37	3256-23	1	Washer-Plain
9	3234-42	1	Screw-HHF	38	322-3	1	Screw-HH
10	137-9784	1	Guard-Bottom	39	3231-5	2	Screw-CARR
11	138-6045	1	Shaft-Spindle	40	107-1664	1	Lever ASM
12	140-1246	1	Blade-24.50 Mulch	40:1	106-3239	1	Screw-Lock
13	126-6442	1	Belt-V	40:2	107-1644	1	Cap-Lock
14		1	Rear Caster Wheel ASM ●	40:3	106-3241	1	Lever-Lock
15	3231-12	7	Bolt-CARR	40:4	3296-29	1	Nut-Lock, NI
16	137-9787	1	Bushing-Hex	41	135-2611-01	1	Bracket-Retainer, Cover
17	142-4241	1	ASM-Channel, HOC LH	42	99-5107	1	Nut-Lock
17:2	126-8597	2	Decal-HOC, LH	43	98-5975	5	Washer-Belleville
18	142-6582	1	ASM-LH Gauge Wheel Arm	44	3231-11	1	Screw-CARR
18:2	142-3592	2	Plate-Guide, Front	45	135-2424	1	Spacer
18:3	142-3501	2	Plate-Guide, Rear	46	109-9220	1	Screw-Sems
19		1	Caster Wheel ASM ●	47	135-2073	2	Pin-HOC
20	99-7203	1	Screw-HH	48	114-1925	1	Bumper-Rubber
21	126-6115	1	Spacer-Wheel	49	110-9380	1	Screw-HWH
22	135-2653-03	1	Bracket-Shield Mount, Outer	50	3234-11	3	Screw-HHF
23	103-8415	2	Roller-Anti-Scalp	51	1-811010	2	Plug
24	109-6658	24	Nut-Flange, NI	52	140-1185	1	Sheave-Drive, Blade
25	126-1503	2	Spring	53	30-8770	1	Washer
26	135-7455	2	Pin, Spring	54	116-7306	1	Nut-Hex
27	135-6170	1	LH Wing Shield ASM	55	112-1479	1	Skid-Bumper, Deck
27:2	93-6687	1	Decal-No Step	56	104-8301	2	Nut-HF, NI
27:3	135-3165	2	Decal-Cover, Scratch	57	3231-31	2	Screw-CARR
27:4	135-6706	2	Plate	58	103-2802	1	Washer
27:5	133-7130	4	Rivet-Pop	59	135-2459-01	1	Baffle-Depth, LH

● Not serviced separately

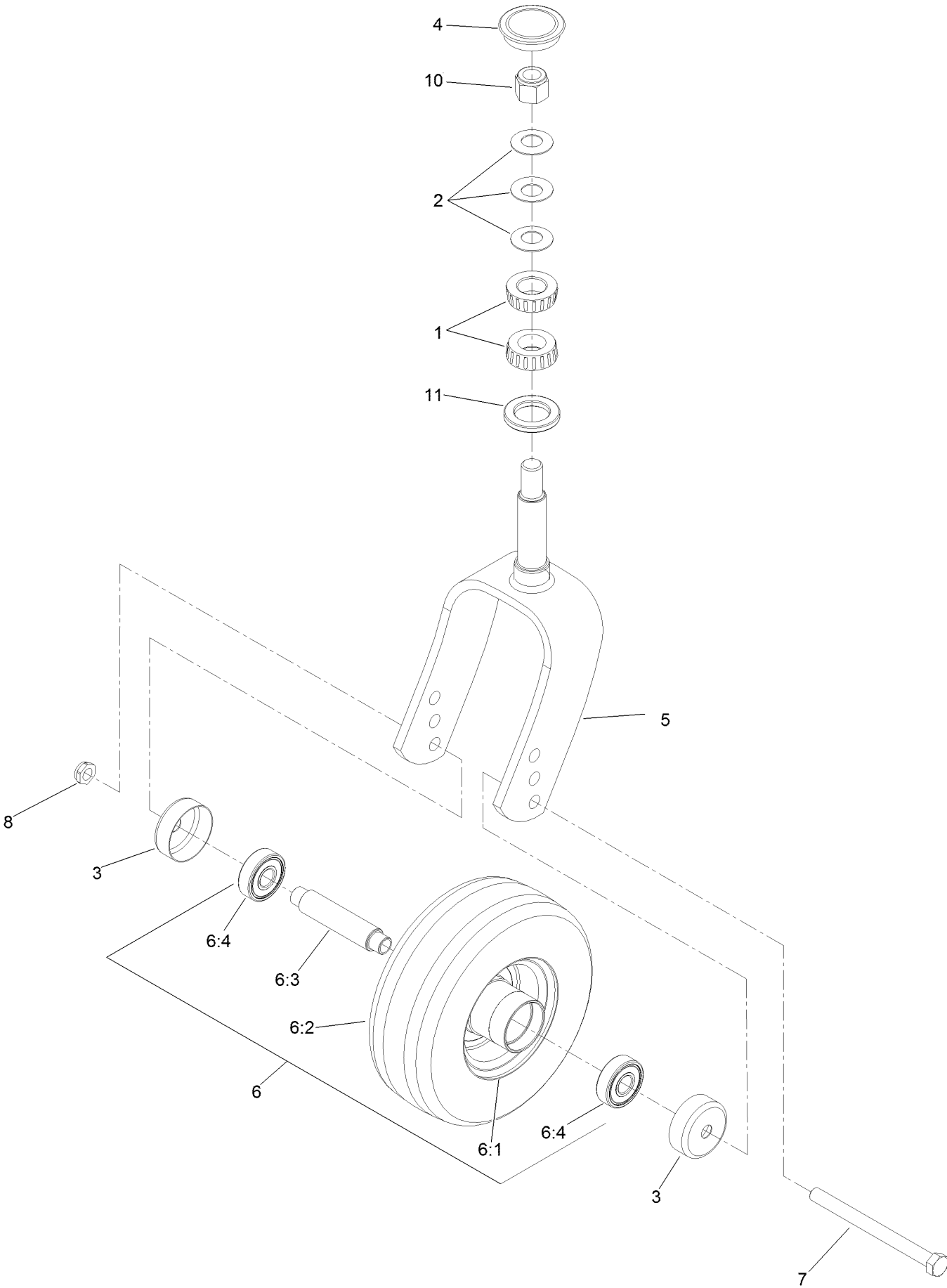
# LH Wing Deck Decal Assembly No. 146-0513



# LH Wing Deck Decal Assembly No. 146-0513 (continued)

<i>Ref.</i>	<i>Part Number</i>	<i>Qty.</i>	<i>Description</i>	<i>Ref.</i>	<i>Part Number</i>	<i>Qty.</i>	<i>Description</i>
2	112-9028	1	Decal-Cover, Missing	4	116-8283	1	Decal-Torque, Bolt
3	135-0664	1	Decal-Danger, Thrown Object	5	135-0670	1	Decal-Warning, Pinch Point
				6	135-7200	3	Nut-Clinch,Hex

# Rear Caster Wheel Assembly

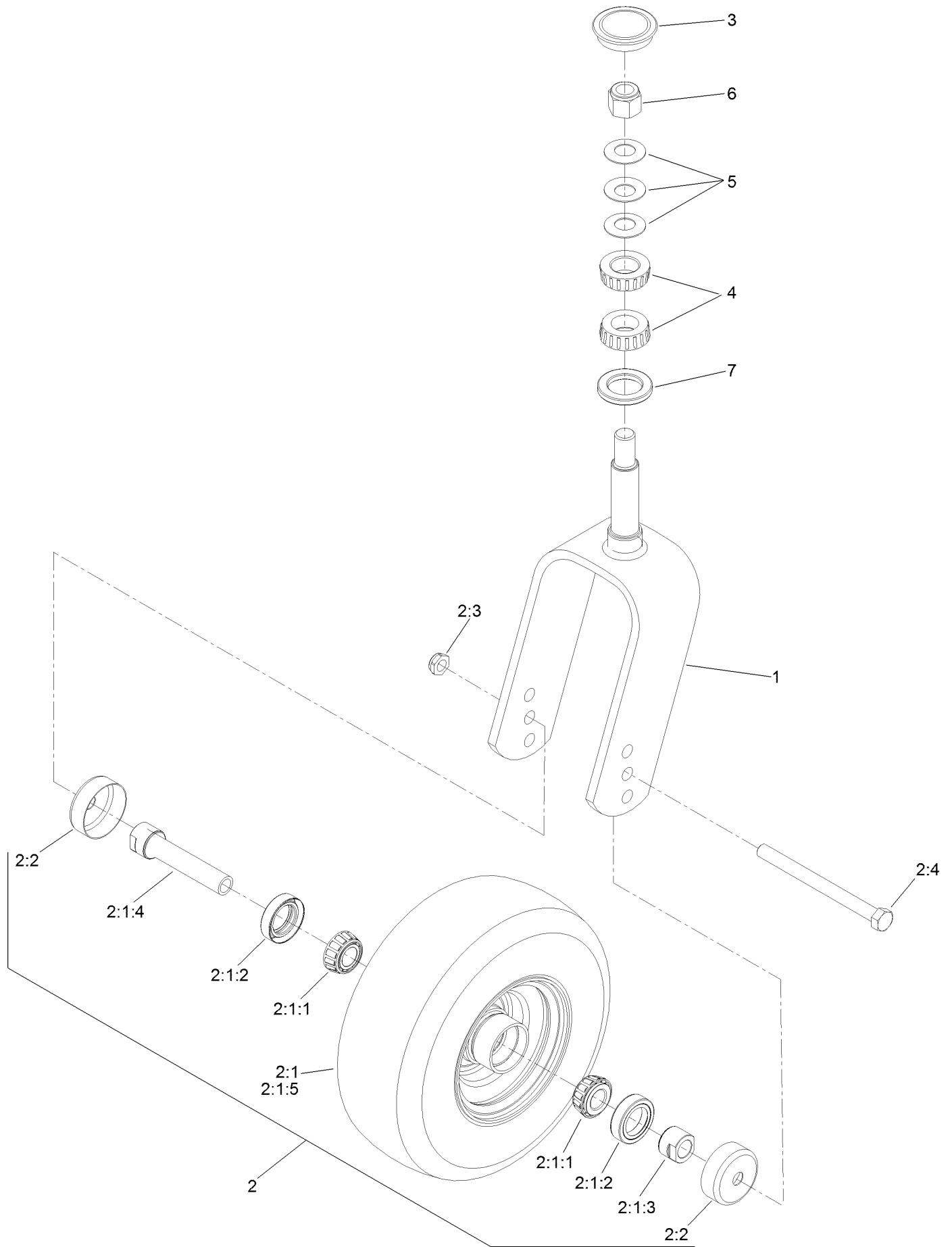


## Rear Caster Wheel Assembly (continued)

<i>Ref.</i>	<i>Part Number</i>	<i>Qty.</i>	<i>Description</i>	<i>Ref.</i>	<i>Part Number</i>	<i>Qty.</i>	<i>Description</i>
1	1-543509	2	Bearing-Roller, Tapered	6:2	112-7065	1	Tire
2	1-633508	3	Washer-Bellville	6:3	126-7904	1	Axle-Caster
3	135-3218	2	Guard, Seal	6:4	116-4004	2	Bearing
4	103-4882	1	Cap-Grease	7	325-20	1	Screw-HH
5	135-3793-01	1	Fork-Caster	8	3296-45	1	Nut-Hex
6		1	Wheel And Tire ASM ●	10	3296-51	1	Nut-Lock, NI
6:1	135-2646	1	Wheel	11	1-543511	1	Seal-Grease

● Not serviced separately

# Caster Fork and Wheel Assembly





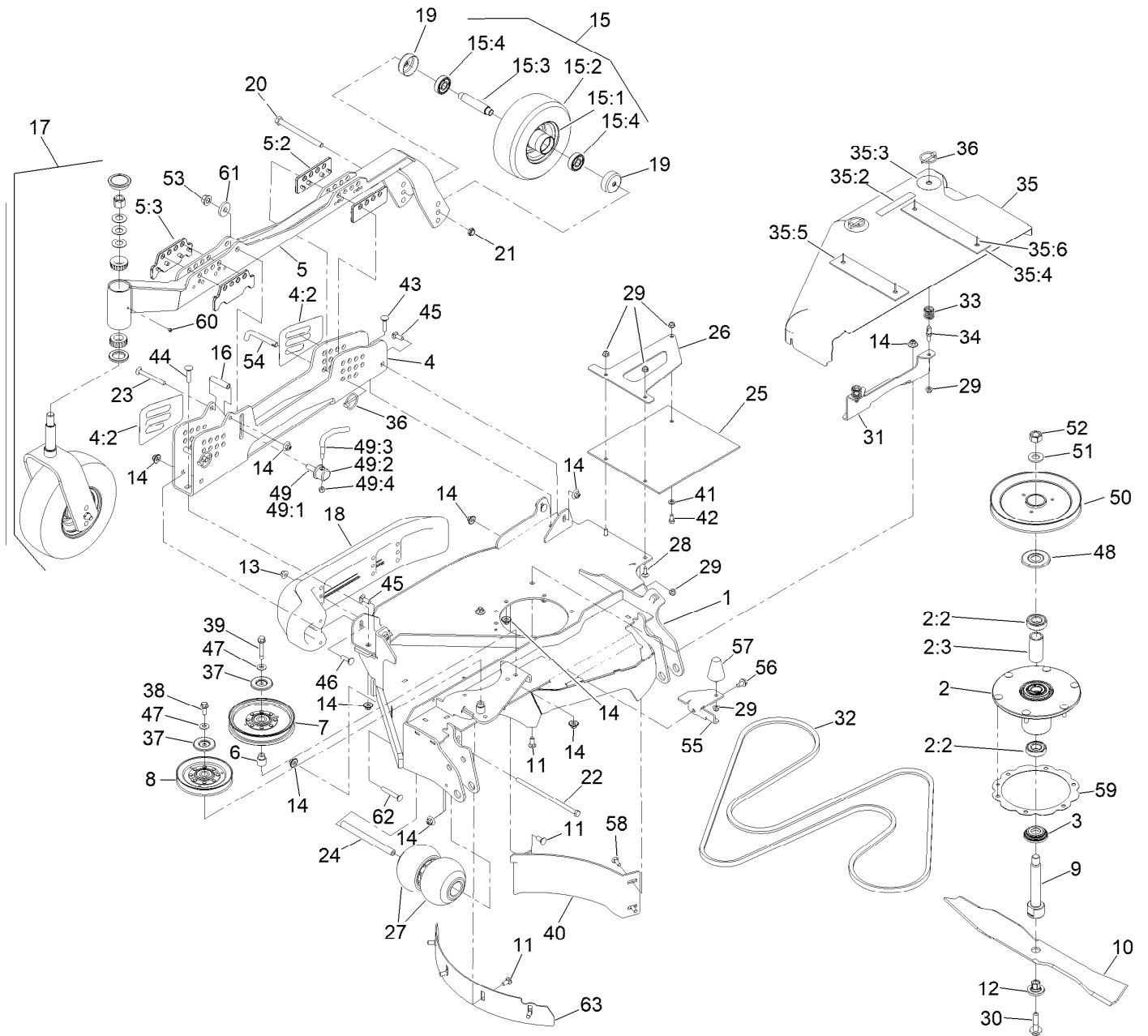
## Caster Fork and Wheel Assembly (continued)

<i>Ref.</i>	<i>Part Number</i>	<i>Qty.</i>	<i>Description</i>	<i>Ref.</i>	<i>Part Number</i>	<i>Qty.</i>	<i>Description</i>
1	135-3794-01	1	Fork-Caster	2:2	103-2768	2	Guard-Seal
2	130-4558	1	Wheel/Tire And Bearing ASM	2:3	3296-45	1	Nut-Hex
2:1		1	Wheel And Bearing ASM ●	2:4	325-20	1	Screw-HH
2:1:1	1-633585	2	Bearing-Cone, Taper	3	103-4882	1	Cap-Grease
2:1:2	103-0063	2	Seal-Caster	4	1-543509	2	Bearing-Roller, Tapered
2:1:3	103-3051	1	Spacer-Nut ■	5	1-633508	3	Washer-Bellville
2:1:4	126-5359	1	Caster Axle ASM	6	3296-51	1	Nut-Lock, NI
2:1:5	130-4563	1	Wheel And Tire ASM	7	1-543511	1	Seal-Grease

● Not serviced separately

■ Use Pro-Lock, Nut Type (P/N 1-840022, .5ml tube) on spacer nut

# RH Wing Deck Assembly

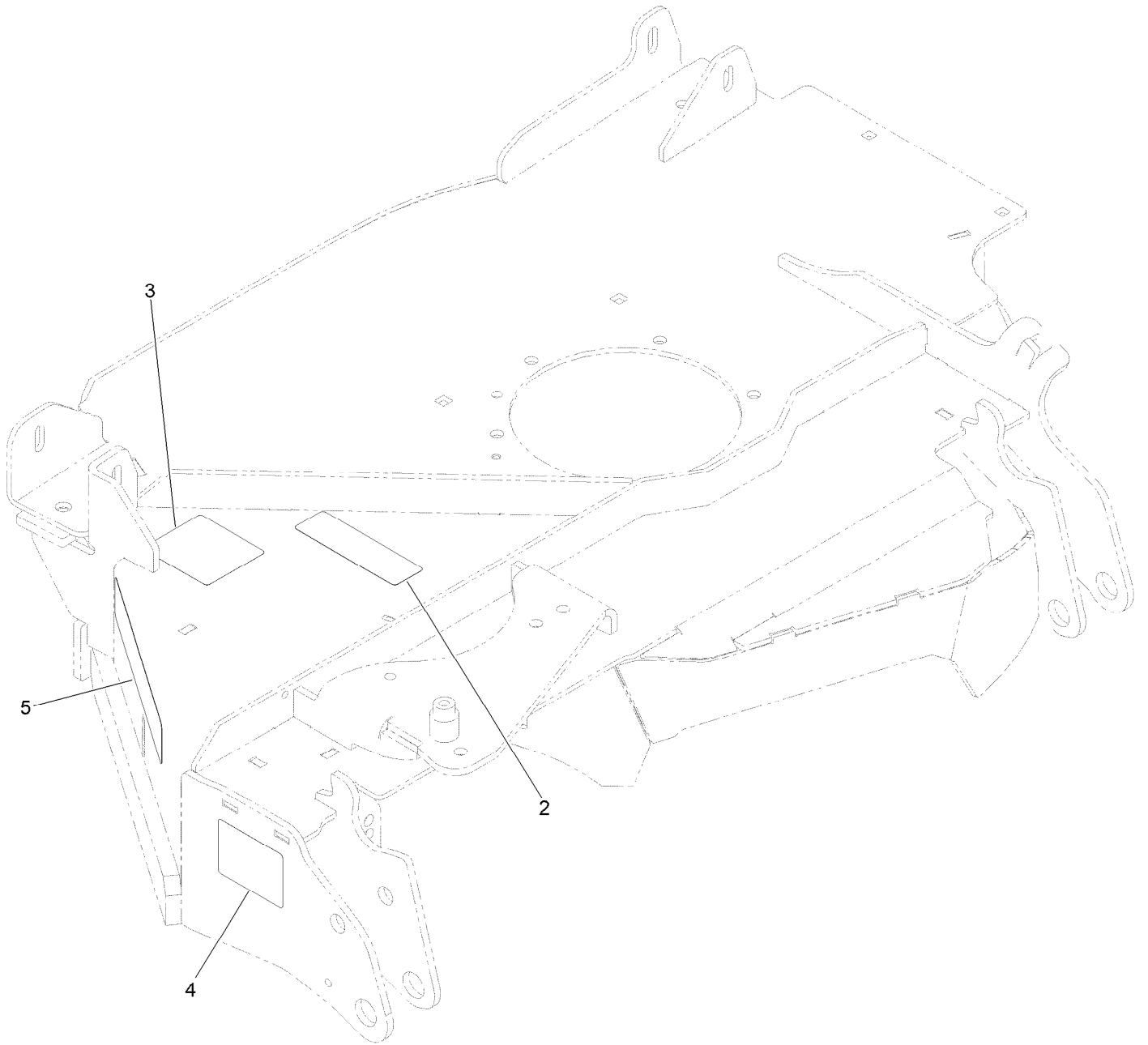


## RH Wing Deck Assembly (continued)

<i>Ref.</i>	<i>Part Number</i>	<i>Qty.</i>	<i>Description</i>	<i>Ref.</i>	<i>Part Number</i>	<i>Qty.</i>	<i>Description</i>
1	146-0680	1	ASM-Deck RH Wing 96T	32	126-6447	1	Belt-V
2	137-9780	1	Spindle ASM	33	126-1503	2	Spring
2:2	116-0720	2	Bearing-Ball	34	135-7455	2	Pin, Spring
2:3	138-6042	1	Spacer-Bearing	35	135-6171	1	RH Wing Shield ASM
3	137-9784	1	Guard-Bottom	35:2	93-6687	1	Decal-No Step
4	142-4470	1	ASM-Channel, HOC RH W/Decals	35:3	135-3165	2	Decal-Cover, Scratch
4:2	126-8760	2	Decal-HOC, RH	35:4	135-6706	1	Plate
5	146-0486	1	ASM-RH Gauge Wheel Arm	35:5	135-6707	1	Plate-Front
5:2	142-3501	2	Plate-Guide, Rear	35:6	133-7130	4	Rivet-Pop
5:3	142-3592	2	Plate-Guide, Front	36	92-1298	4	Pin-Lynch
6	1-633456	1	Bushing, Idler	37	126-8043	2	Shield-Dust
7	126-7685	1	Idler-Pulley	38	3234-42	1	Screw-HHF
8	126-2960	1	Idler-V	39	126-2956	1	Screw-HHF
9	138-6045	1	Shaft-Spindle	40	135-3540-01	1	Baffle-Block, RH Wing
10	140-1246	1	Blade-24.50 Mulch	41	3256-23	1	Washer-Plain
11	3231-12	7	Bolt-CARR	42	322-3	1	Screw-HH
12	137-9787	1	Bushing-Hex	43	3231-4	1	Screw-CARR
13	104-8301	2	Nut-HF, NI	44	3231-5	1	Screw-CARR
14	109-6658	22	Nut-Flange, NI	45	3231-2	3	Bolt-CARR
15		1	Wheel And Tire ASM ●	46	3231-25	1	Bolt-CARR
15:1	135-2646	1	Wheel	47	98-5975	2	Washer-Belleville
15:2	112-7065	1	Tire	48	103-1330	1	Guard-Bearing, Top
15:3	126-7904	1	Axle-Caster	49	107-1664	1	Lever ASM
15:4	116-4004	2	Bearing	49:1	106-3239	1	Screw-Lock
16	135-2424	1	Spacer	49:2	107-1644	1	Cap-Lock
17		1	Caster Wheel ASM ●	49:3	106-3241	1	Lever-Lock
18	112-1479	1	Skid-Bumper, Deck	49:4	3296-29	1	Nut-Lock, NI
19	135-3218	2	Guard, Seal	50	140-1185	1	Sheave-Drive, Blade
20	325-20	1	Screw-HH	51	103-2802	1	Washer
21	3296-45	1	Nut-Hex	52	116-7306	1	Nut-Hex
22	99-7203	1	Screw-HH	53	99-5107	1	Nut-Lock
23	3231-11	1	Screw-CARR	54	135-2073	2	Pin-HOC
24	126-6115	1	Spacer-Wheel	55	135-2611-01	1	Bracket-Retainer, Cover
25	135-2068	1	Guard-Tire	56	110-9380	1	Screw-HWH
26	135-2067-03	1	Support-Flap, RH	57	114-1925	1	Bumper-Rubber
27	103-8415	2	Roller-Anti-Scalp	58	3230-22	2	Screw-CARR
28	3230-16	2	Screw-CARR	59	140-0986	1	Ring-Spacer, Housing
29	104-8300	8	Nut-HF, NI	60	1-811010	1	Plug
30	109-9220	1	Screw-Sems	61	30-8770	1	Washer
31	135-2653-03	1	Bracket-Shield Mount, Outer	62	3231-31	2	Screw-CARR
				63	135-2460-01	1	Baffle-Depth, RH

● Not serviced separately

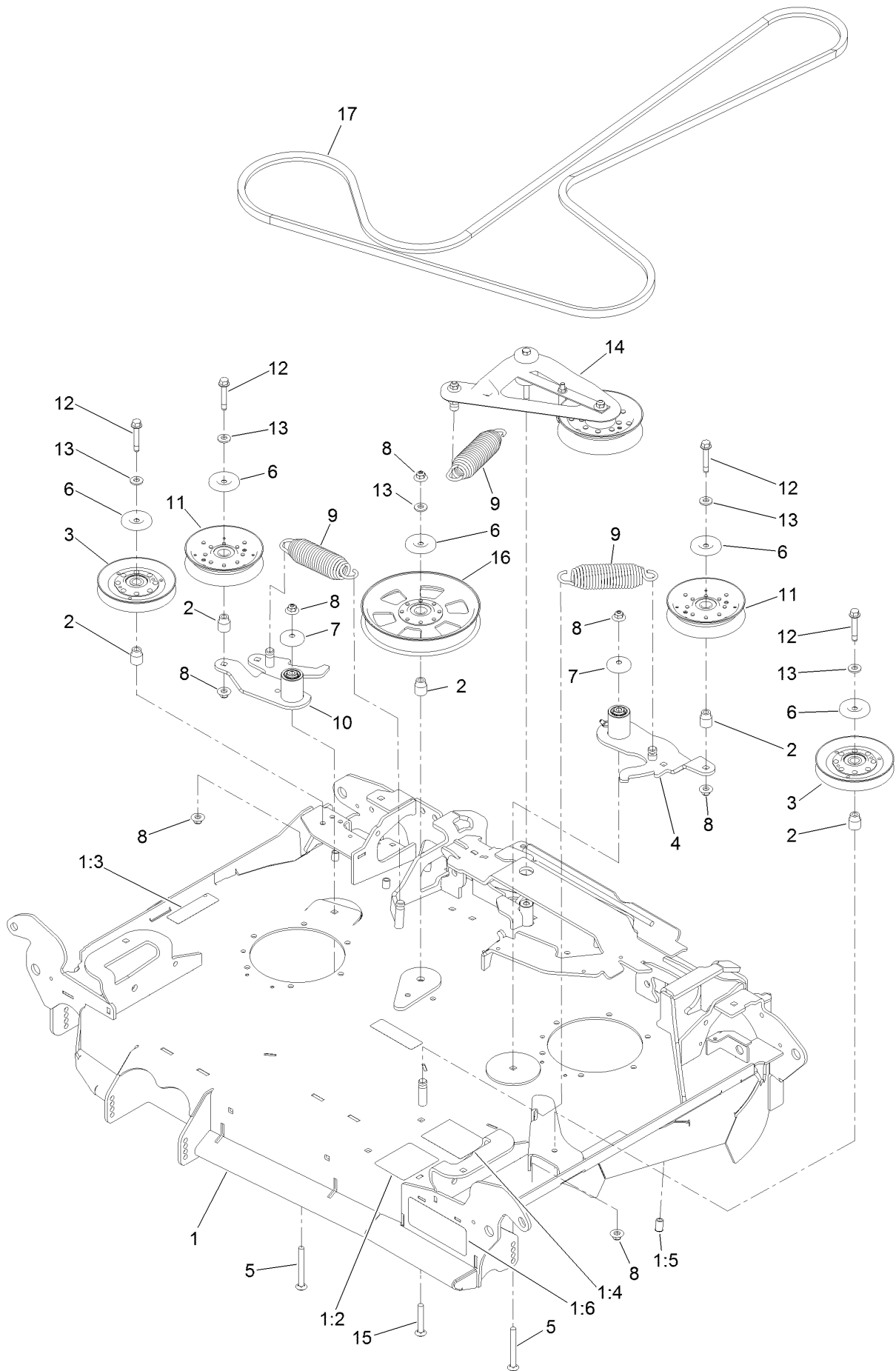
# RH Wing Deck Decal Assembly No. 146-0680



# RH Wing Deck Decal Assembly No. 146-0680 (continued)

<i>Ref.</i>	<i>Part Number</i>	<i>Qty.</i>	<i>Description</i>	<i>Ref.</i>	<i>Part Number</i>	<i>Qty.</i>	<i>Description</i>
2	112-9028	1	Decal-Cover, Missing	4	135-0670	1	Decal-Warning, Pinch Point
3	135-0664	1	Decal-Danger, Thrown Object	5	136-9042	1	Decal

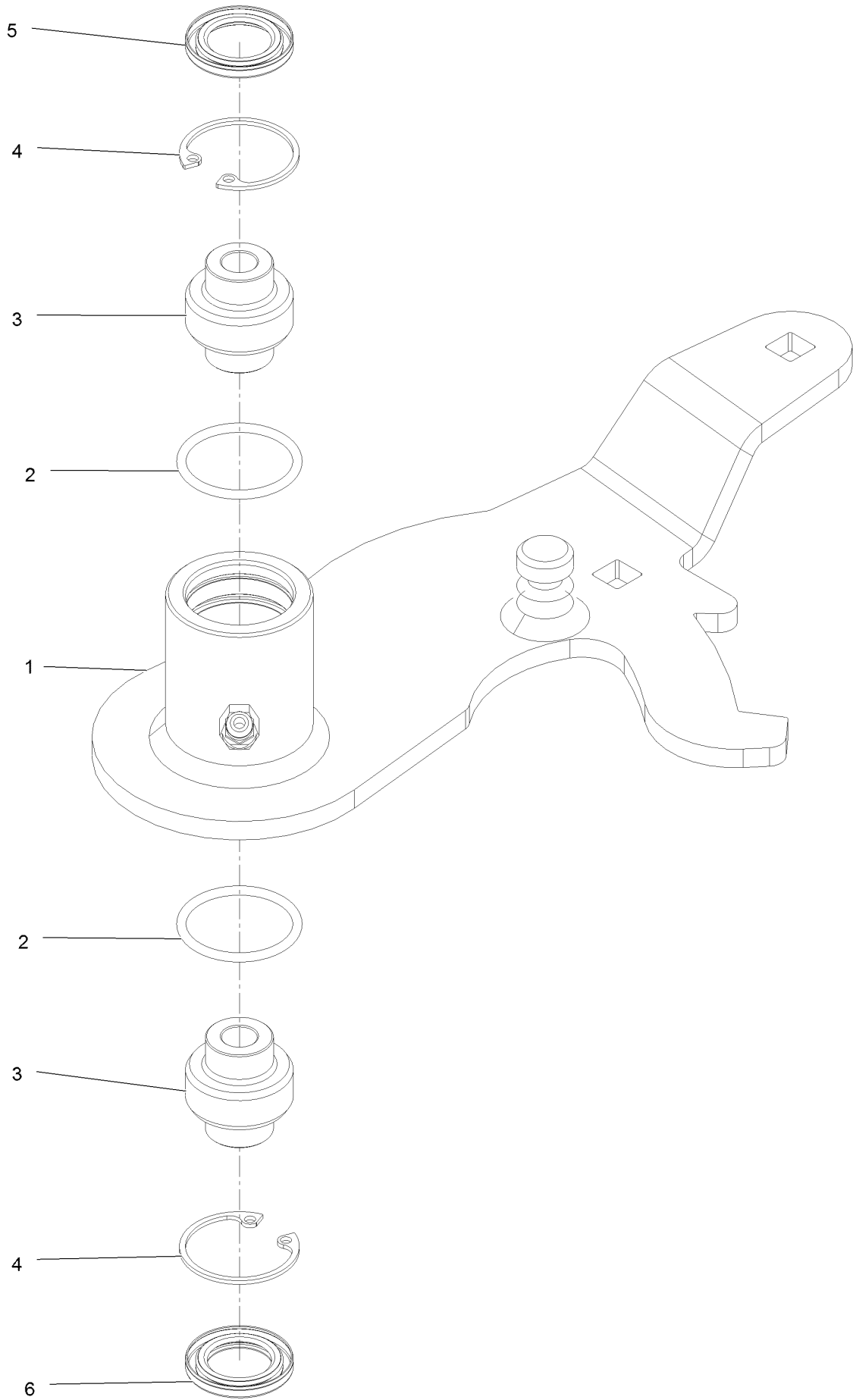
# Center Deck Belt Drive Assembly



## Center Deck Belt Drive Assembly (continued)

<i>Ref.</i>	<i>Part Number</i>	<i>Qty.</i>	<i>Description</i>	<i>Ref.</i>	<i>Part Number</i>	<i>Qty.</i>	<i>Description</i>
1	135-3764	1	Deck ASM	7	103-2916	2	Guard-Top
1:2	109-6036	1	Decal-Roller, Anti-Scalp	8	109-6658	7	Nut-Flange, NI
1:3	112-9028	4	Decal-Cover, Missing	9	116-6317	3	Spring-Extension
1:4	135-1097	1	Decal-Belt Routing	10	126-9438	1	Idler ASM
1:5	32148-10	6	Nut-Clinch	11	126-9187	2	Pulley-Idler, Flat
1:6	136-9041	1	Decal	12	126-2956	4	Screw-HHF
2	1-633456	5	Bushing, Idler	13	98-5975	5	Washer-Belleville
3	126-2960	2	Idler-V	14	126-1720	1	Deck Idler ASM
4	126-9435	1	Idler ASM	15	3231-44	1	Screw-CARR
5	116-1502	2	Bolt-Shoulder, Carriage	16	116-9639	1	Pulley-Idler, Flat
6	126-8043	5	Shield-Dust	17	126-6440	1	V-Belt

# Idler Assembly No. 126-9435





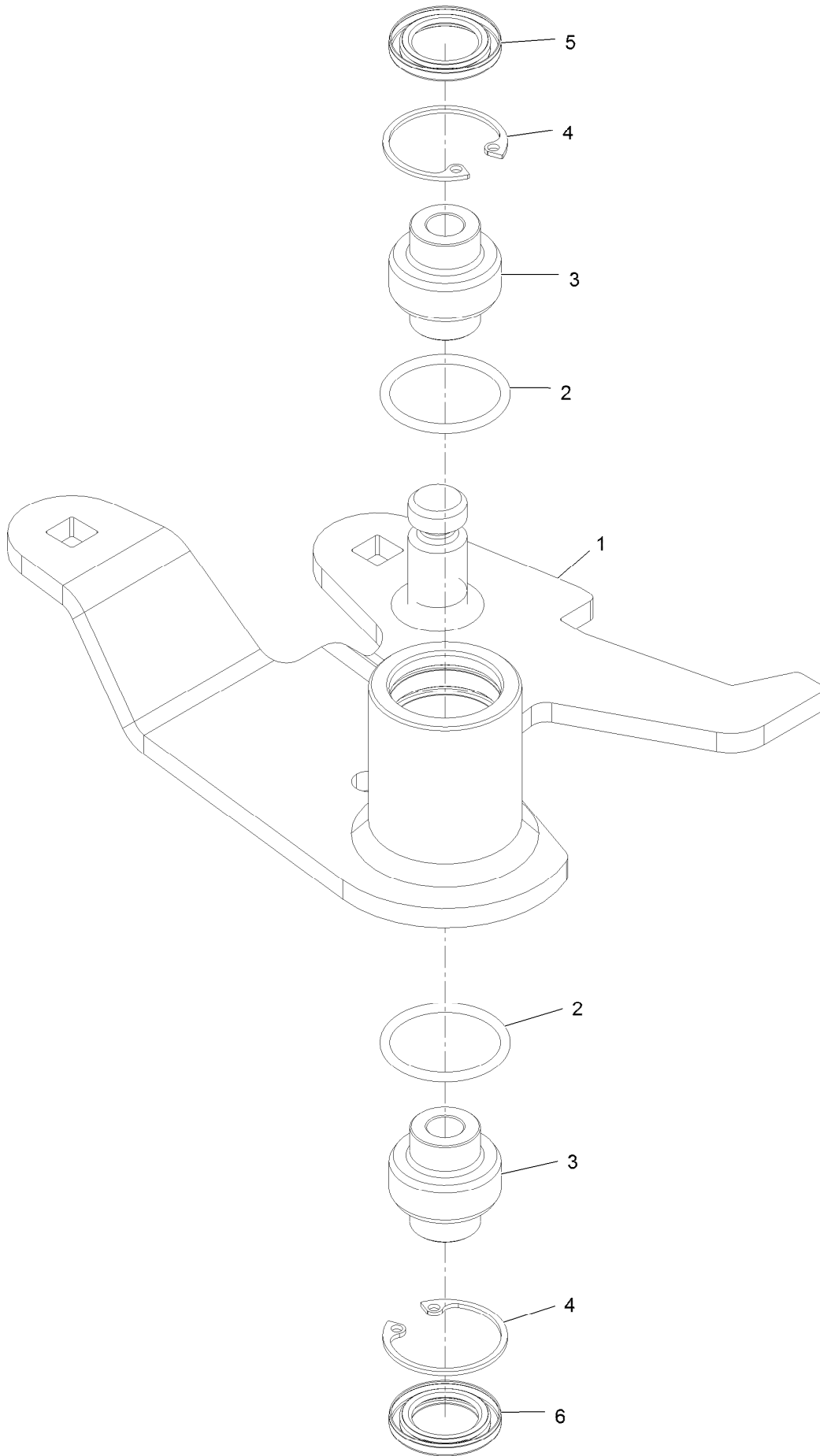
## Idler Assembly No. 126-9435 (continued)

<i>Ref.</i>	<i>Part Number</i>	<i>Qty.</i>	<i>Description</i>
1		1	ASM-Idler Arm 96Rd LH [red] ●
2	106-7159	2	O-Ring
3	103-3504	2	Bearing-Spherical

<i>Ref.</i>	<i>Part Number</i>	<i>Qty.</i>	<i>Description</i>
4	32120-10	2	Ring-Snap
5	103-3506	1	Seal-Lip, Single
6	103-3505	1	Seal-Lip, Double

● Not serviced separately

# Idler Assembly No. 126-9438



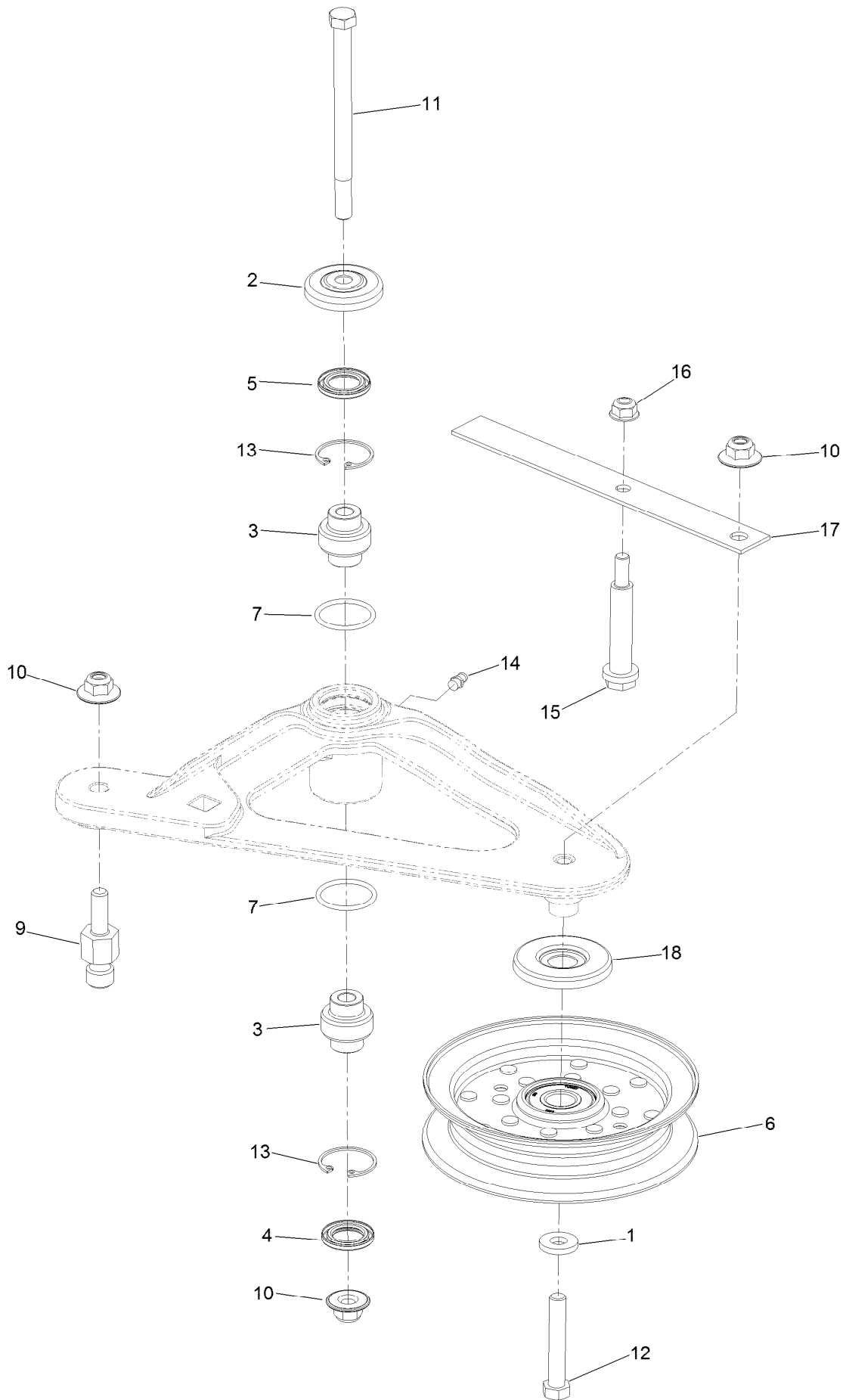
## Idler Assembly No. 126-9438 (continued)

<i>Ref.</i>	<i>Part Number</i>	<i>Qty.</i>	<i>Description</i>
1		1	ASM-Idler Arm, 96Rd [red] ●
2	106-7159	2	O-Ring
3	103-3504	2	Bearing-Spherical

<i>Ref.</i>	<i>Part Number</i>	<i>Qty.</i>	<i>Description</i>
4	32120-10	2	Ring-Snap
5	103-3506	1	Seal-Lip, Single
6	103-3505	1	Seal-Lip, Double

● Not serviced separately

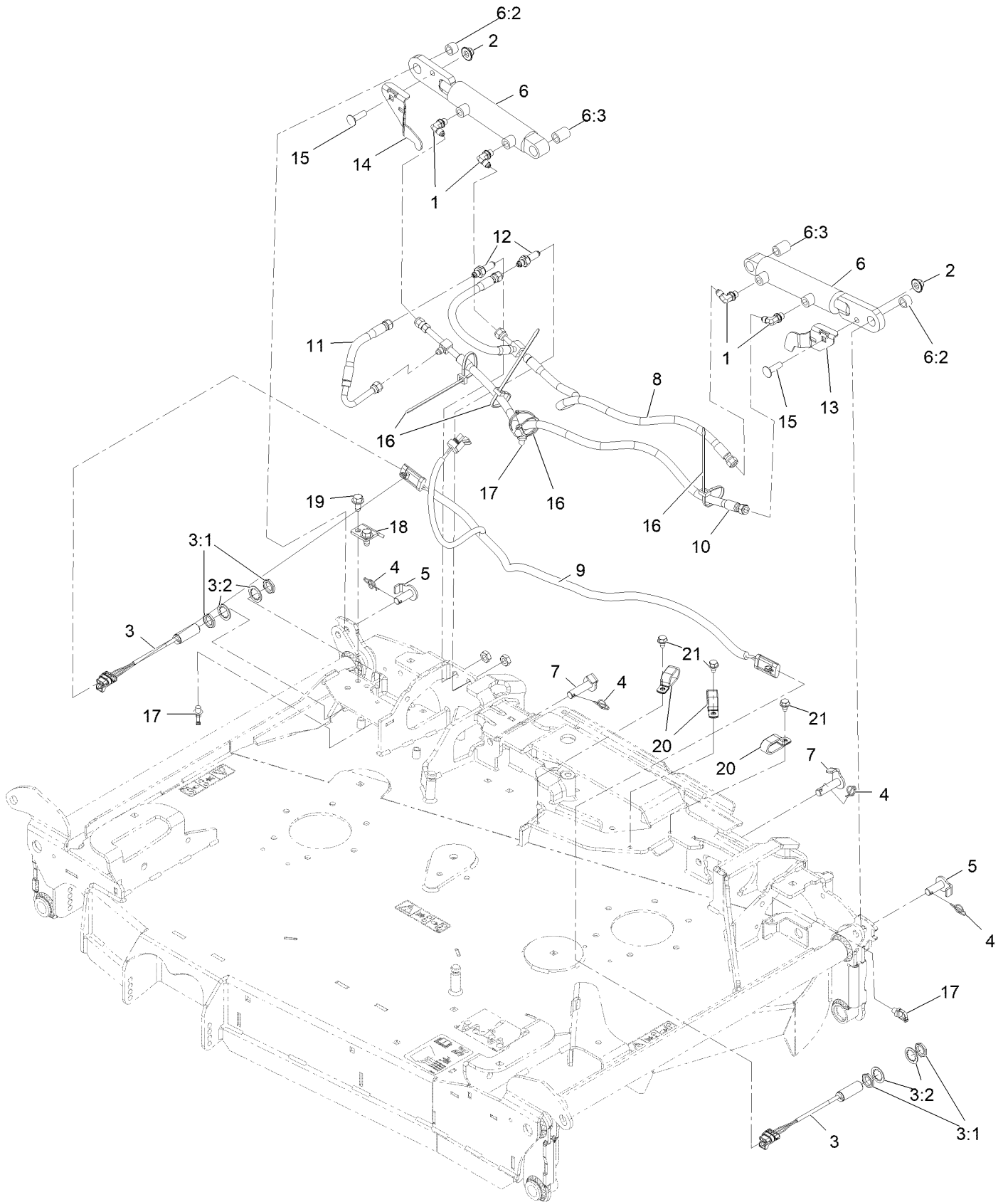
# Deck Idler Assembly No. 126-1720



## Deck Idler Assembly No. 126-1720 (continued)

<i>Ref.</i>	<i>Part Number</i>	<i>Qty.</i>	<i>Description</i>	<i>Ref.</i>	<i>Part Number</i>	<i>Qty.</i>	<i>Description</i>
1	43-0940	1	Spacer	11	109-7409	1	Screw-Shoulder, HH
2	103-2916	1	Guard-Top	12	104-3396	1	Screw-HH
3	103-3504	2	Bearing-Spherical	13	32120-10	2	Ring-Snap
4	103-3505	1	Seal-Lip, Double	14	302-19	1	Fitting-Grease
5	103-3506	1	Seal-Lip, Single	15	88-4590	1	Bolt-Shoulder
6	126-9196	1	Idler-Pulley, Flat	16	104-8300	1	Nut-HF, NI
7	106-7159	2	O-Ring	17	126-1704	1	Spring-Belt
9	126-0423	1	Pin-Spring, Anchor	18	126-9195	1	Shield-Guard, Dust
10	109-6658	3	Nut-Flange, NI				

# Center Folding Deck Hydraulic Assembly

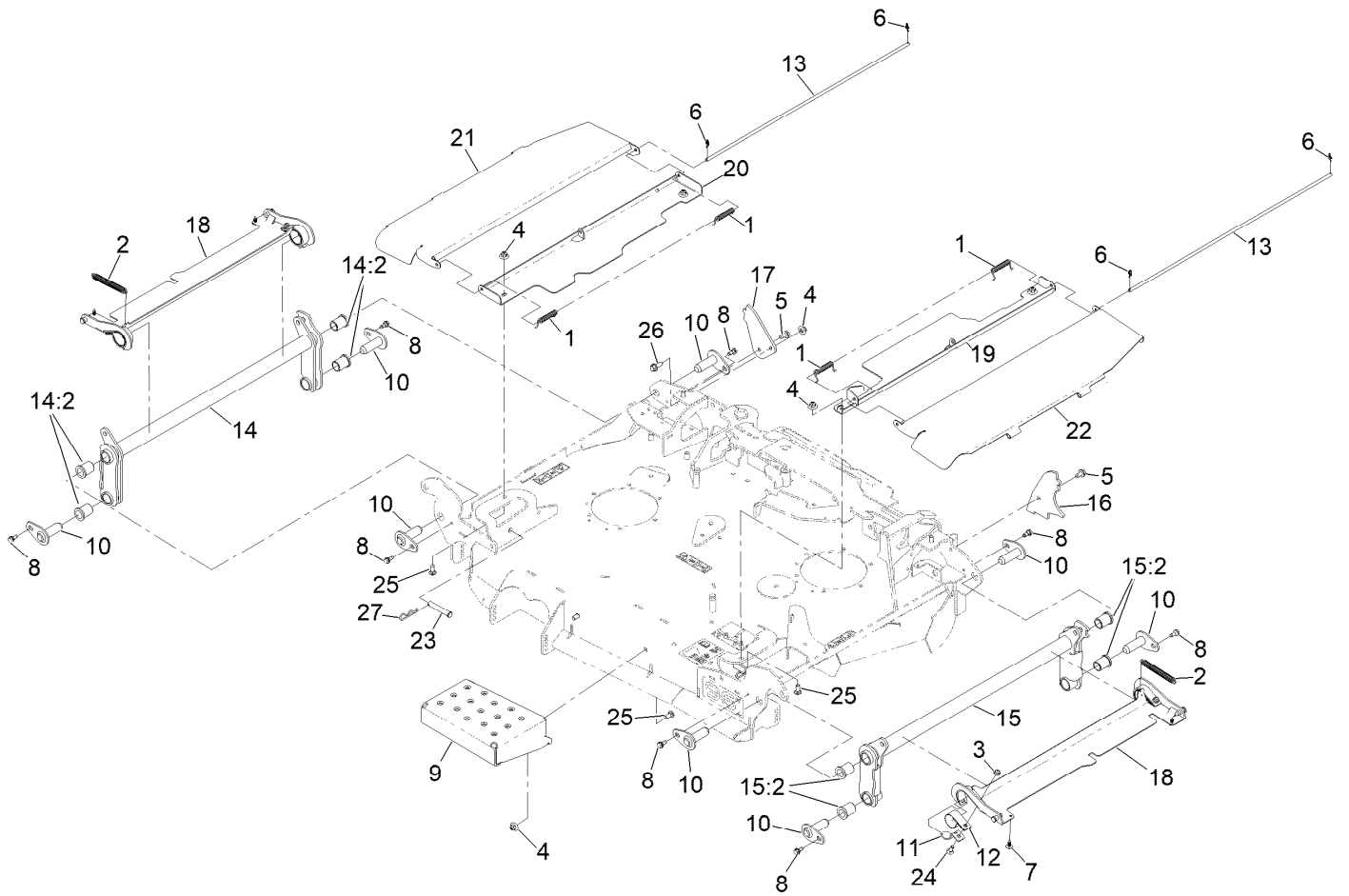


## Center Folding Deck Hydraulic Assembly (continued)

<i>Ref.</i>	<i>Part Number</i>	<i>Qty.</i>	<i>Description</i>	<i>Ref.</i>	<i>Part Number</i>	<i>Qty.</i>	<i>Description</i>
1	109-0760	4	Adapter, 90°	9	135-1552	1	Harness-Wire
2	109-6658	2	Nut-Flange, NI	10	142-6789	1	Hose ASM
3	115-5300	2	Proximity Switch ASM	11	135-4526	1	Hose ASM
3:1	117-3207	2	Nut-Hex	12	135-5077	2	Fiting-Straight
3:2	117-3208	2	Washer-Lock, Internal Tooth	13	135-5922	1	Plate-Proximity, LH
4	126-8417	4	Pin-Cotter, Locking	14	135-5923	1	Plate-Proximity, RH
5	126-8448	2	Pin-Cylinder	15	3231-28	2	Screw-CARR
6	126-9000	2	Deck Fold Cylinder ASM	16	3290-378	4	Tie-Cable
6:1:1	142-2768	1	Kit, CYL Repair ●	17	32180-030	3	Clip-Tie
6:2	126-8439	1	Bushing	18	135-6586	1	Bracket-Guard, Switch (RH)
6:3	126-8440	1	Bushing	19	110-9380	2	Screw-HWH
7	142-3762	2	Pin-Cylinder	20	120-1959	3	Clamp
8	142-6790	1	Hose ASM	21	9266934	3	Screw

● Not illustrated

# Deck Fold Assembly

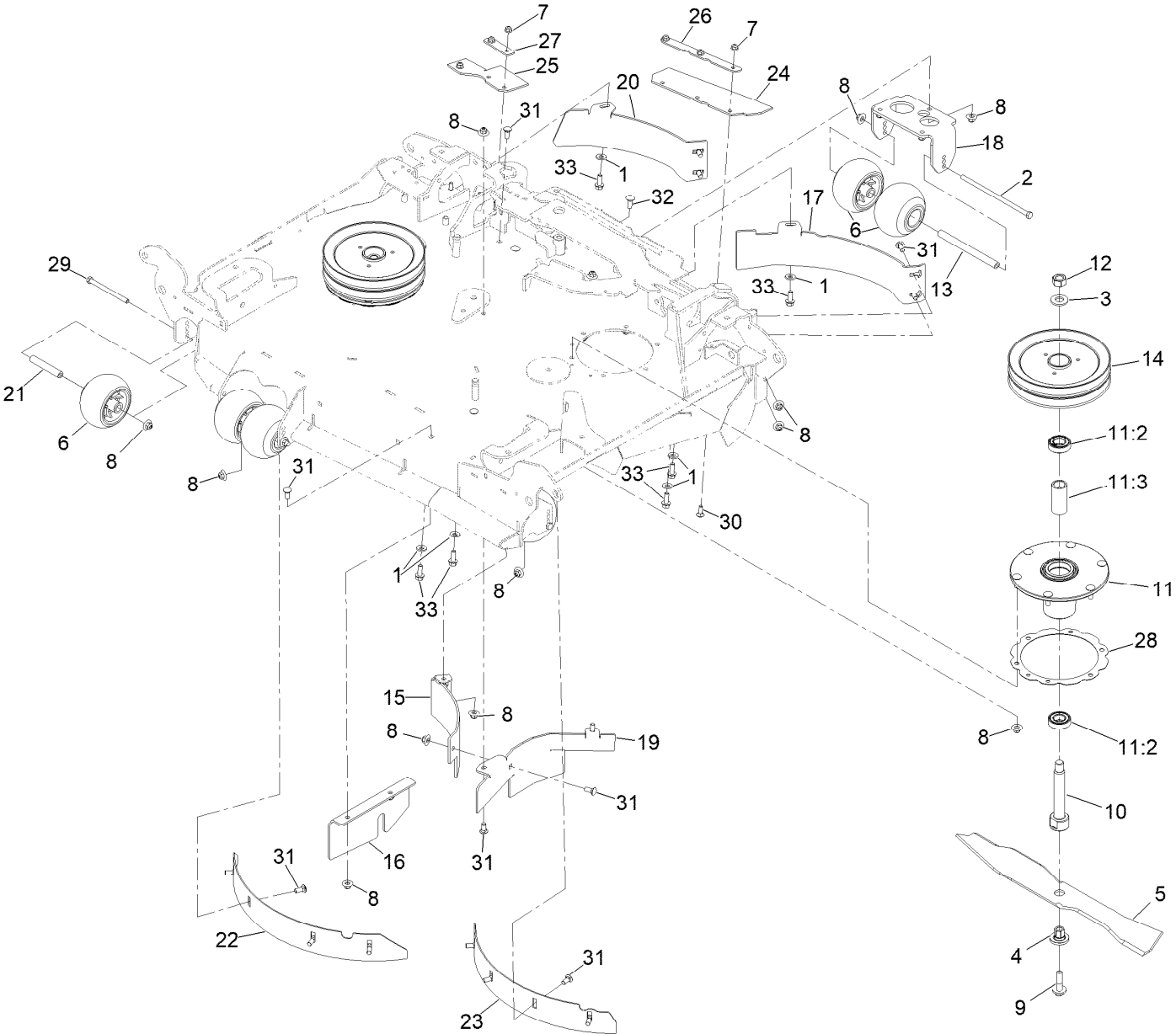




## Deck Fold Assembly (continued)

<i>Ref.</i>	<i>Part Number</i>	<i>Qty.</i>	<i>Description</i>	<i>Ref.</i>	<i>Part Number</i>	<i>Qty.</i>	<i>Description</i>
1	99-5293	4	Spring-Torsion	15	142-5424	1	ASM-Fold Arm, LH
2	103-4813	2	Spring	15:2	142-4794	4	Bushing-Flanged
3	104-8300	4	Nut-HF, NI	16	135-2628-01	1	Bracket-Deck Stop, LH
4	109-6658	7	Nut-Flange, NI	17	135-2629-01	1	Bracket-Deck Stop, RH
5	110-9380	2	Screw-HWH	18	135-2630-01	2	Cover-Wing
6	116-6639	4	Pin-Cotter, Locking	19	135-2651-01	1	Shield-Center, LH
7	117-2382	4	Plug-Plastic	20	135-2652-01	1	Shield-Center, RH
8	126-4424	8	Screw-Shoulder	21	135-6174-03	1	Panel-Shield Hinge, RH
9	135-6903-01	1	Panel-Step	22	135-6178-03	1	Panel-Shield Hinge, LH
10	142-4813	8	ASM-Deck Pin	23	283-55	2	Pin-Clevis
11	126-9764	4	Plate-Retainer, Bearing	24	3230-16	4	Screw-CARR
12	135-0584	4	Strap-Bearing, Nylon	25	3231-12	6	Bolt-CARR
13	135-1023	2	Cover-Rod, Pivot	26	3234-42	1	Screw-HHF
14	142-5423	1	ASM-Fols Arm, RH	27	3290-355	2	Pin-Hair
14:2	142-4794	4	Bushing-Flanged				

# Center Deck Cutting Assembly



## Center Deck Cutting Assembly (continued)

<i>Ref.</i>	<i>Part Number</i>	<i>Qty.</i>	<i>Description</i>	<i>Ref.</i>	<i>Part Number</i>	<i>Qty.</i>	<i>Description</i>
1	98-5975	6	Washer-Belleville	17	135-3462-01	1	Baffle-Block, LH Ctr
2	99-7203	4	Screw-HH	18	135-1036-01	1	Bracket-Antiscalp, Rear
3	103-2802	2	Washer	19	135-1827-01	1	Baffle-Center
4	137-9787	2	Bushing-Hex	20	135-3463-01	1	Baffle-Block, RH Ctr
5	140-1246	2	Blade-24.50 Mulch	21	126-7140	1	Spacer-Wheel, Short
6	103-8415	9	Roller-Anti-Scalp	22	135-2459-01	1	Baffle-Depth, LH
7	104-8300	6	Nut-HF, NI	23	135-2460-01	1	Baffle-Depth, RH
8	109-6658	39	Nut-Flange, NI	24	135-2658	1	Flap-Discharge
9	109-9220	2	Screw-Sems	25	135-2659	1	Flap-Discharge
10	138-6045	2	Shaft-Spindle	26	135-3760-03	1	Support-Flap
11	137-9780	2	Spindle ASM	27	135-3761-03	1	Support-Flap, RH
11:2	116-0720	2	Bearing-Ball	28	140-0986	2	Ring-Spacer, Housing
11:3	138-6042	1	Spacer-Bearing	29	323-38	1	Screw-HH
12	116-7306	2	Nut-Hex	30	3230-16	6	Screw-CARR
13	126-6115	4	Spacer-Wheel	31	3231-12	18	Bolt-CARR
14	140-1186	2	Sheave-Double Blade Drive	32	3231-2	3	Bolt-CARR
15	135-0601-01	1	Baffle-Center, Rear (RH)	33	3234-11	6	Screw-HHF
16	135-0603-01	1	Plate-Block, Front				

# Attachments and Accessories

## For 74090 96in Air Cool Z Master Professional Riding Mower

<b>Product Name</b>	<b>Model/Part</b>
Hypr-Oil 500 (quart) .....	114-4713
Hypr-Oil 500 (gallon).....	114-4714
Hypr-Oil 500-5 (5 gallon).....	114-4715
Bimini Folding Shade Assembly .....	115-4510
Light Kit.....	116-1154
Seat Cover (W/arm rest).....	117-0095
Seat Tilt Frame and ISO Mount Kit.....	121-7596
Toro Rops Lock Kit.....	126-4064
Sunshade Kit .....	126-8077
Jack Kit.....	127-6666
Jack Mount Kit .....	135-1768
Light Flasher Kit.....	135-2892
Worklight Kit .....	135-7320
Blade-24.50 Mulch.....	140-1246
Weight Kit, Under Toe Board.....	140-4958
Kit-96 Rear Discharge Baffle .....	142-3000
Toro Rider Over Seat Bag.....	490-7317
Toro Deluxe Rider Cover.....	490-7319
Toro Rider Arm Rest Bag .....	490-7320
Filter Minder Gauge .....	99-4664

**Notes:**

**Notes:**

**Notes:**



**Count on it.**