



Count on it.

Parts Catalog

**Z Master® Professional 6000
Series Riding Mower**

**with 122cm TURBO FORCE® Side Discharge
Mower**

Model No. 72902TE—Serial No. 40000000 and Up



Ordering Replacement Parts

To order replacement parts, please supply the part number, the quantity, and the description of each part desired.

Understanding Reference Numbers

Each identified part in an illustration has a reference number. The reference number for a part also appears in the parts list, along with other information about the part.

This catalog uses two special reference number formats, one to indicate parts in a service assembly and another to indicate the quantity of a given part in an illustration.

Service Assembly Reference Numbers

Parts in service assemblies have reference numbers in the form a:b. The a represents the reference number of the entire service assembly and the b represents a sequential number unique to each part within the service assembly.

For example, a wheel assembly might be identified by reference number 6, the tire by 6:1, the valve by 6:2, and the wheel by 6:3. When you order the assembly identified by reference number 6, you receive all parts identified by reference numbers 6:1, 6:2, and 6:3. However, you may also order any part individually. Reference numbers of this type appear in illustration and in parts lists.

Reference Numbers Indicating Quantity

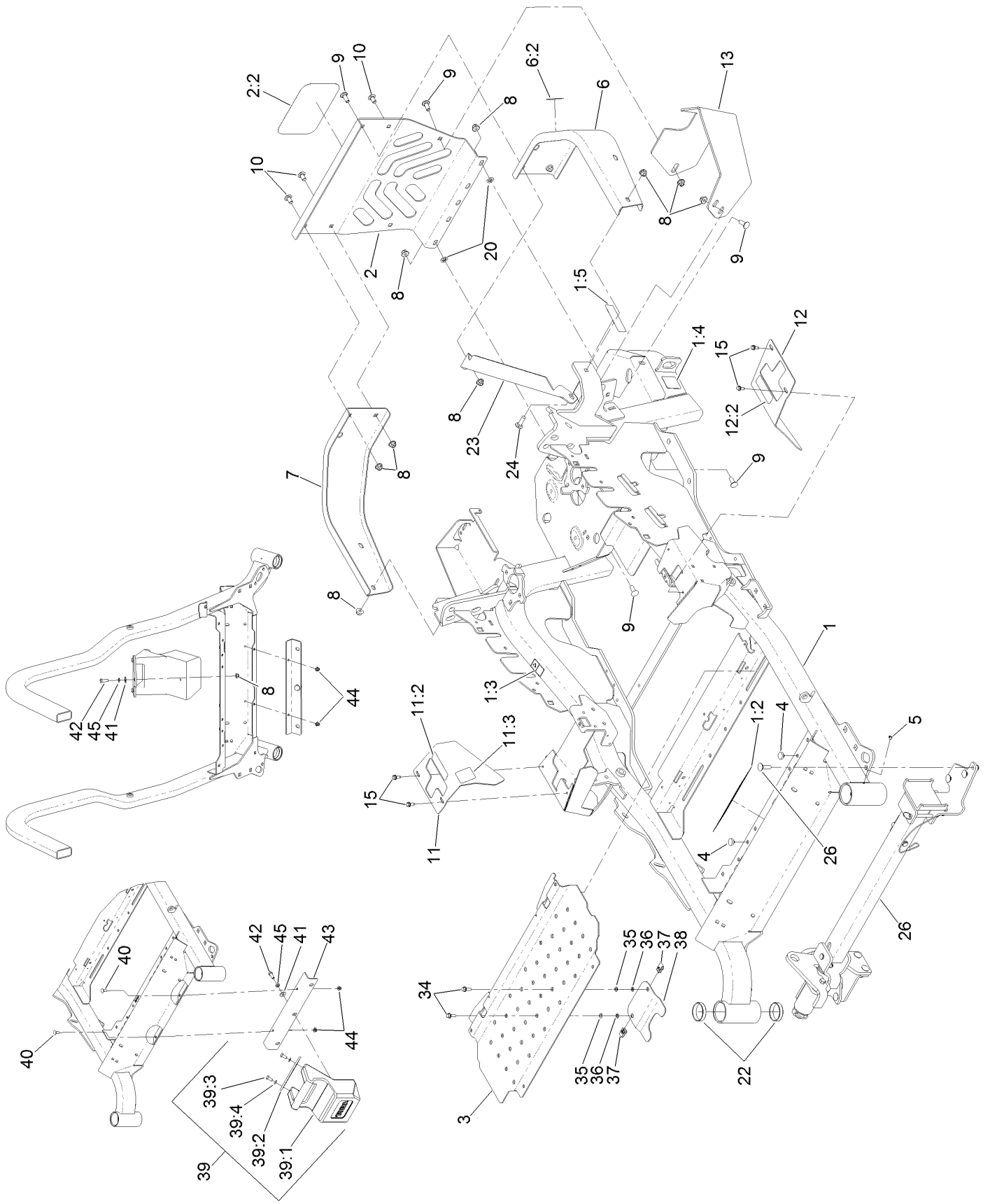
In an illustration, if a reference number indicates more than one part, the reference number has the form nX y. The n represents the quantity of the part, the X is the multiplication symbol, and the y represents the reference number.

For example, in an illustration, the reference number 2X 37 means that two of the parts identified by reference number 37 are indicated.

Contents

Frame, Caster and Z Stand Assembly	4
Z Stand Assembly	6
Roll-Over Protection System Assembly No. 116-0232	8
Caster Wheel and Fork Assembly	10
Hydraulic Pump, Idler and Belt Assembly	12
LH Hydro Assembly No. 135-7899	14
RH Hydro Assembly No. 135-7900	16
Pump Idler Assembly No. 116-1255	18
Rear Wheel Assembly	20
Park Brake Assembly	22
Fuel System Assembly	24
Fuel Tank Assembly No. 135-0643	26
Seat Mounting Assembly	28
Seat Assembly No. 140-8003	30
Motion Control Assembly	32
Console Assembly	34
RH Console Assembly No. 115-7402	36
LH Console Assembly No. 115-7403	38
Electrical Assembly	40
Deck Lift Assembly	42
Height-of-Cut Assembly No. 117-3842	44
Engine, Clutch and Muffler Assembly	46
Deck Assembly	48
Deck Decal Assembly No. 140-1167	50
Idler Arm Assembly	52
Spindle Assembly No. 137-9780	54
Rubber Deflector Assembly No. 108-2792	56
Frame Decal Assembly	58
Attachments and Accessories	60

Frame, Caster and Z Stand Assembly

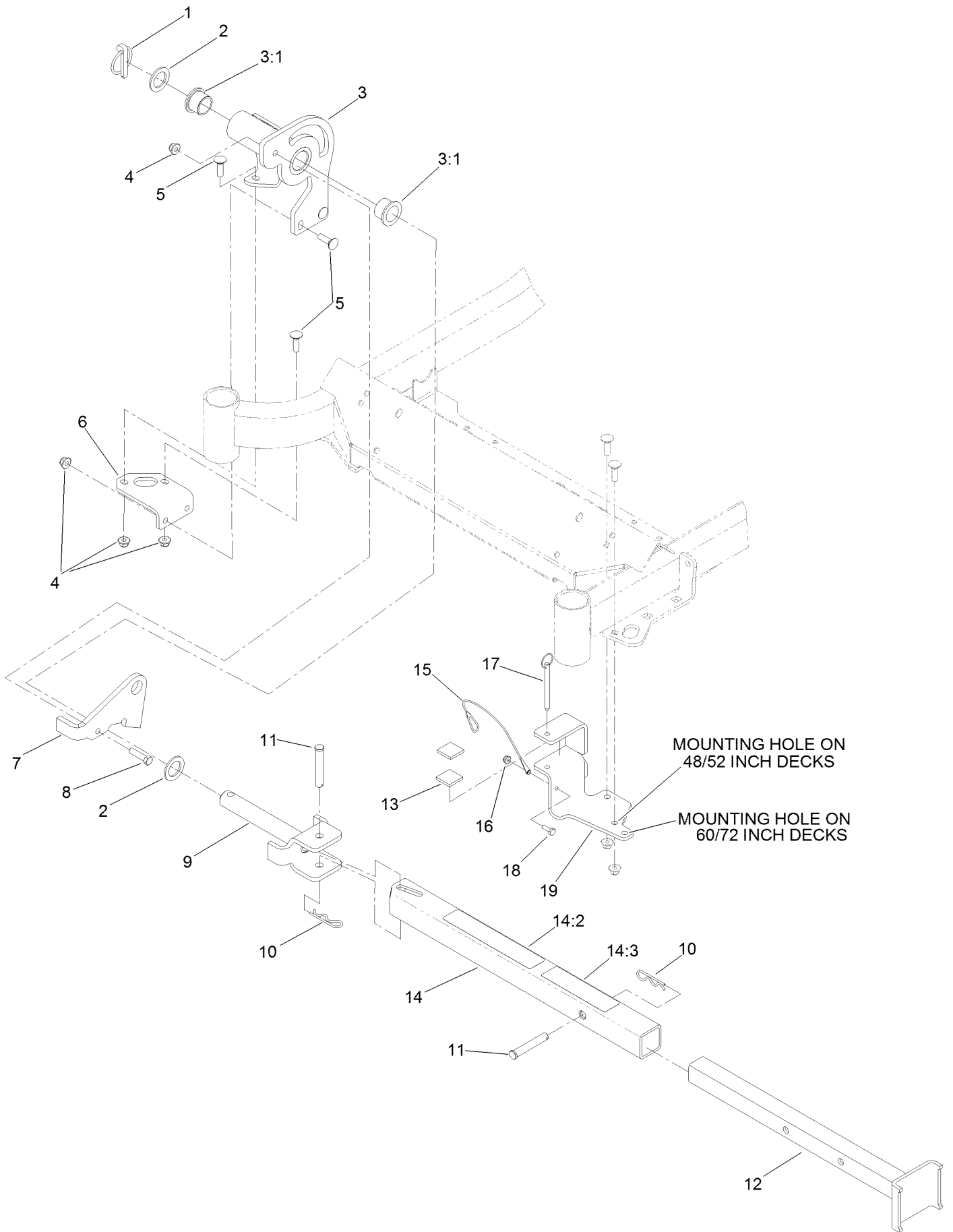


Frame, Caster and Z Stand Assembly (continued)

<i>Ref.</i>	<i>Part Number</i>	<i>Qty.</i>	<i>Description</i>	<i>Ref.</i>	<i>Part Number</i>	<i>Qty.</i>	<i>Description</i>
1	116-5900	1	Mainframe ASM	13	117-0908-03	1	Guard-Muffler
1:2	132-0871	1	Decal-Danger	15	32144-10	4	Screw-HWH
1:3	106-5517	2	Decal-Warning	20	107-3154	2	Nut-Push
1:4	106-2655	2	Decal-Hazard, Pinched Finger	22	1-543508	4	Cup-Bearing
1:5	133-8062	1	Decal-Arrestor, Spark	23	127-0324-03	1	Strap
2	115-7410	1	Rear Guard ASM	24	3231-25	1	Bolt-CARR
2:2	67-7320	1	Decal	26		1	Z Stand ASM ●
3	116-8898-01	1	Floorpan	34	3234-4	2	Screw-HHF
4	1-513658	2	Bumper	35	3256-60	2	Washer-Flat
5	1-811010	2	Plug	36	106-8737	2	Nut-Retainer
6	116-0180	1	LH Bumper ASM	37	107069	2	Clip
6:2	106-5517	1	Decal-Warning	38	119-0395-03	1	Adapter-Captive
7	116-0057-03	1	Bumper-RH	39	120-7885	1	Weight ASM
8	104-8301	12	Nut-HF, NI	39:1	120-7881	1	Weight-43 Lb
9	3231-22	7	Screw-CARR	39:2	115-3616-01	1	Tab-Support, Weight
10	3231-21	3	Screw-CARR	39:3	323-4	2	Screw-HH
11	116-5899	1	RH Motion Control Cover ASM	39:4	3253-5	2	Washer-Lock
11:2	99-8936	1	Decal-Control, Motion	40	3230-23	2	Bolt-CARR
11:3	116-5988	1	Decal-Park Brake, CE	41	3256-4	2	Washer-Flat
12	116-0580	1	LH Motion Control Cover ASM	42	323-6	2	Screw-HH
12:2	99-8936	1	Decal-Control, Motion	43	115-3615-01	1	Bracket-Mount, Weight
				44	104-8300	2	Nut-HF, NI
				45	3253-5	2	Washer-Lock

● Not serviced separately

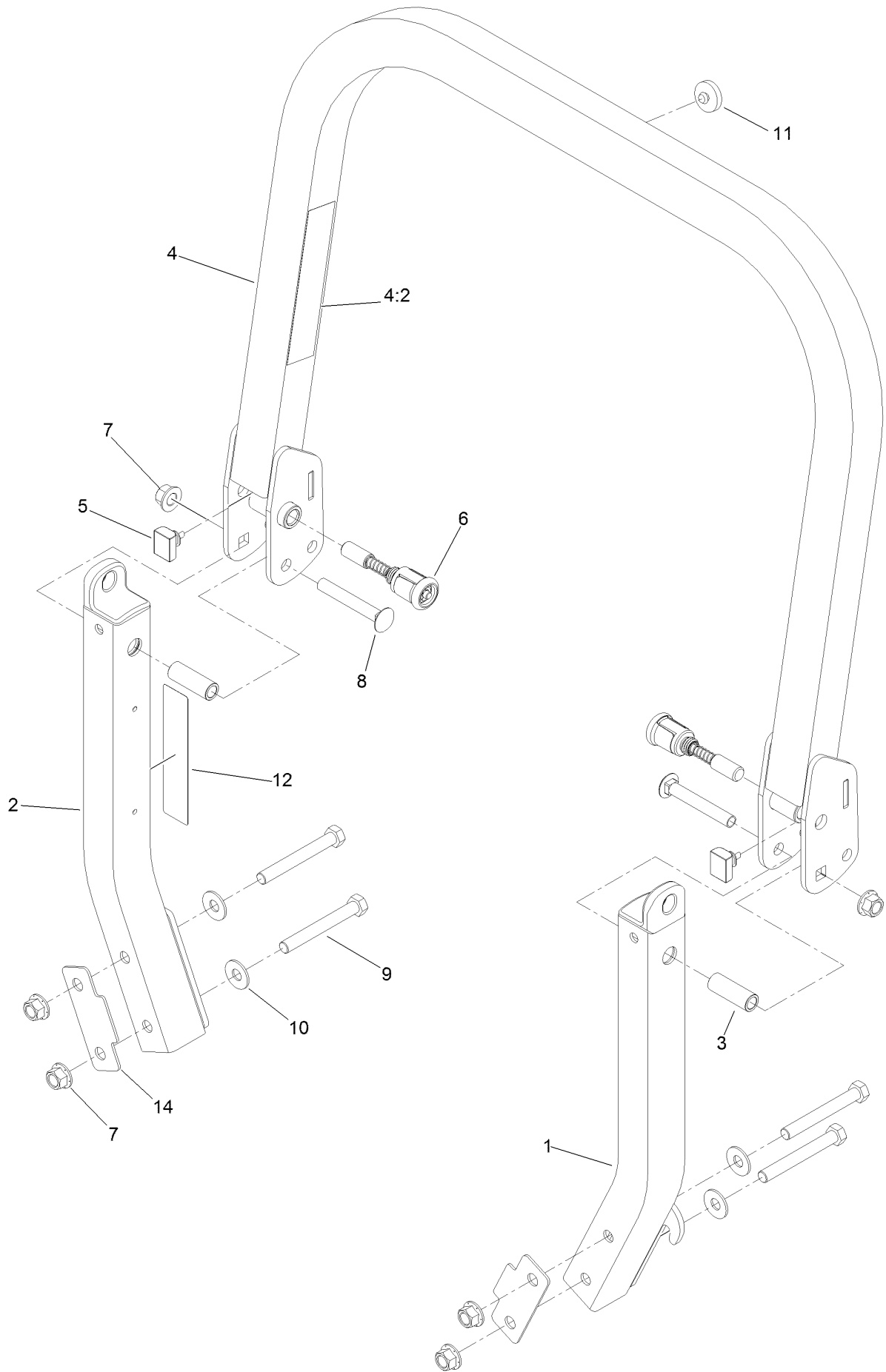
Z Stand Assembly



Z Stand Assembly (continued)

<i>Ref.</i>	<i>Part Number</i>	<i>Qty.</i>	<i>Description</i>	<i>Ref.</i>	<i>Part Number</i>	<i>Qty.</i>	<i>Description</i>
1	283-71	1	Pin-Lynch	11	283-55	2	Pin-Clevis
2	3-6781	2	Washer-Flat	12	115-3631-01	1	Tube-Inner
3	136-1669	1	Pivot Plate ASM	13	115-3613	2	Cushion-Rubber
3:1	94-1291	2	Bushing	14	115-3634	1	Outer Tube ASM
4	104-8301	8	Nut-HF, NI	14:2	106-7464	1	Decal-Z Stand
5	3231-25	7	Bolt-CARR	14:3	107-3969	1	Decal-Warning
6	115-3619-01	1	Bracket-Mount, Pivot	15	100-9385	1	Lanyard-Nylon
7	136-1657-01	1	Plate-Latch	16	104-7201	1	Nut-HF, NI
8	323-8	1	Screw-HH	17	105-1647	1	Pin-Hitch, Cotterless
9	100-9692-01	1	Pin-Pivot	18	321-4	1	Screw-HH
10	3290-355	2	Pin-Hair	19	115-3625-01	1	Cradle-Z Stand

Roll-Over Protection System Assembly No. 116-0232

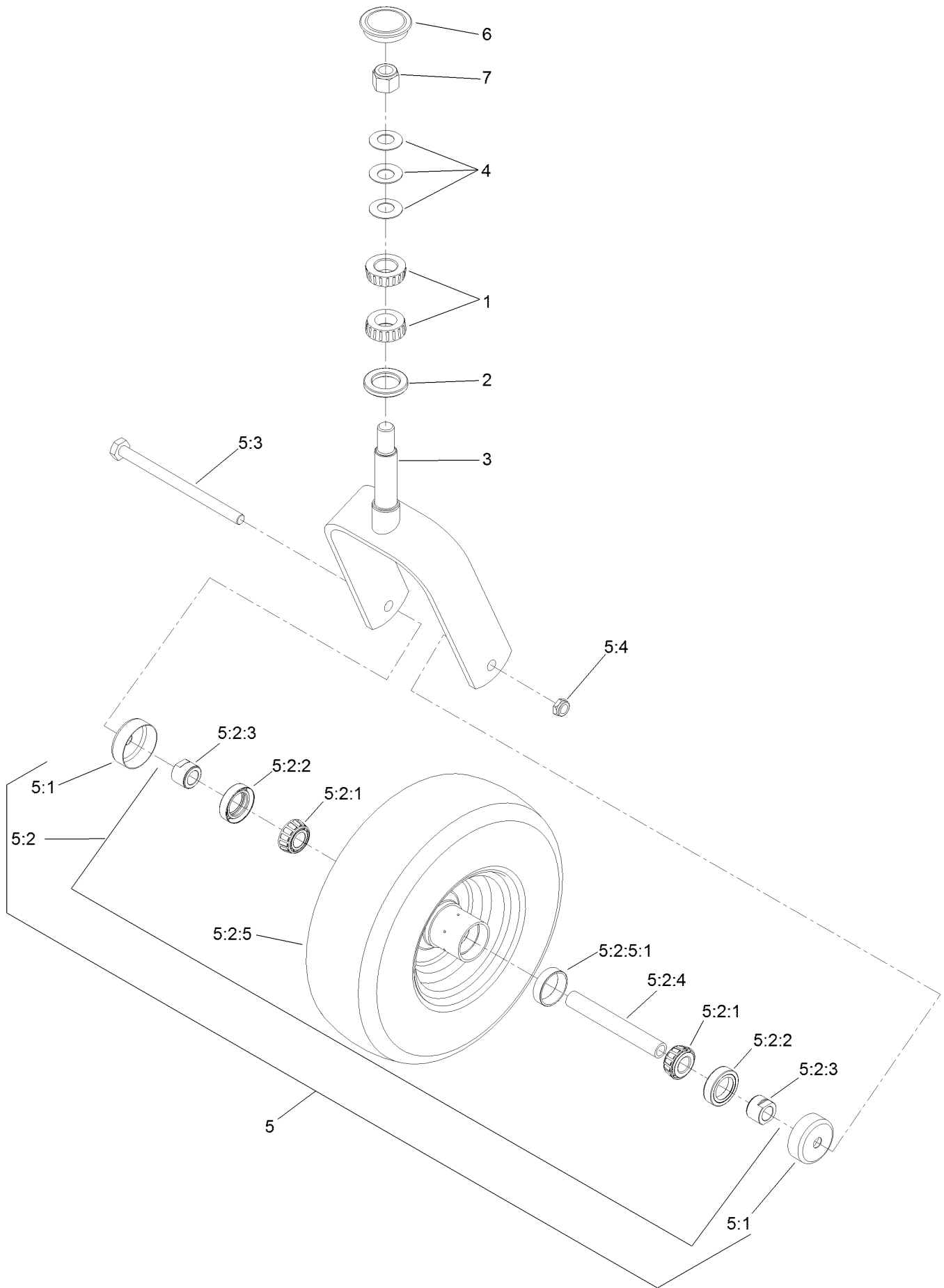


Roll-Over Protection System Assembly No. 116-0232 (continued)

<i>Ref.</i>	<i>Part Number</i>	<i>Qty.</i>	<i>Description</i>	<i>Ref.</i>	<i>Part Number</i>	<i>Qty.</i>	<i>Description</i>
1		1	Leg-ROPS, LH ●	7	99-5107	8	Nut-Lock
2		1	Leg-ROPS, RH ●	8	3233-10	2	Screw-CARR
3	109-6653	2	Spacer	9	325-35	4	Screw-HH
4		1	Upper ROPS ASM ●	10	109-9505	4	Washer-Spring
4:2	107-3069	1	Decal-Warning	11	109-9233	1	Bumper-Push-In, Rubber
5	109-5337	2	Bumper-ROPS	12	117-0346	1	Decal-Caution, Fuel Vent
6	116-0104	2	Pin-Spring	14	116-0960	2	Spacer

● Not serviced separately

Caster Wheel and Fork Assembly



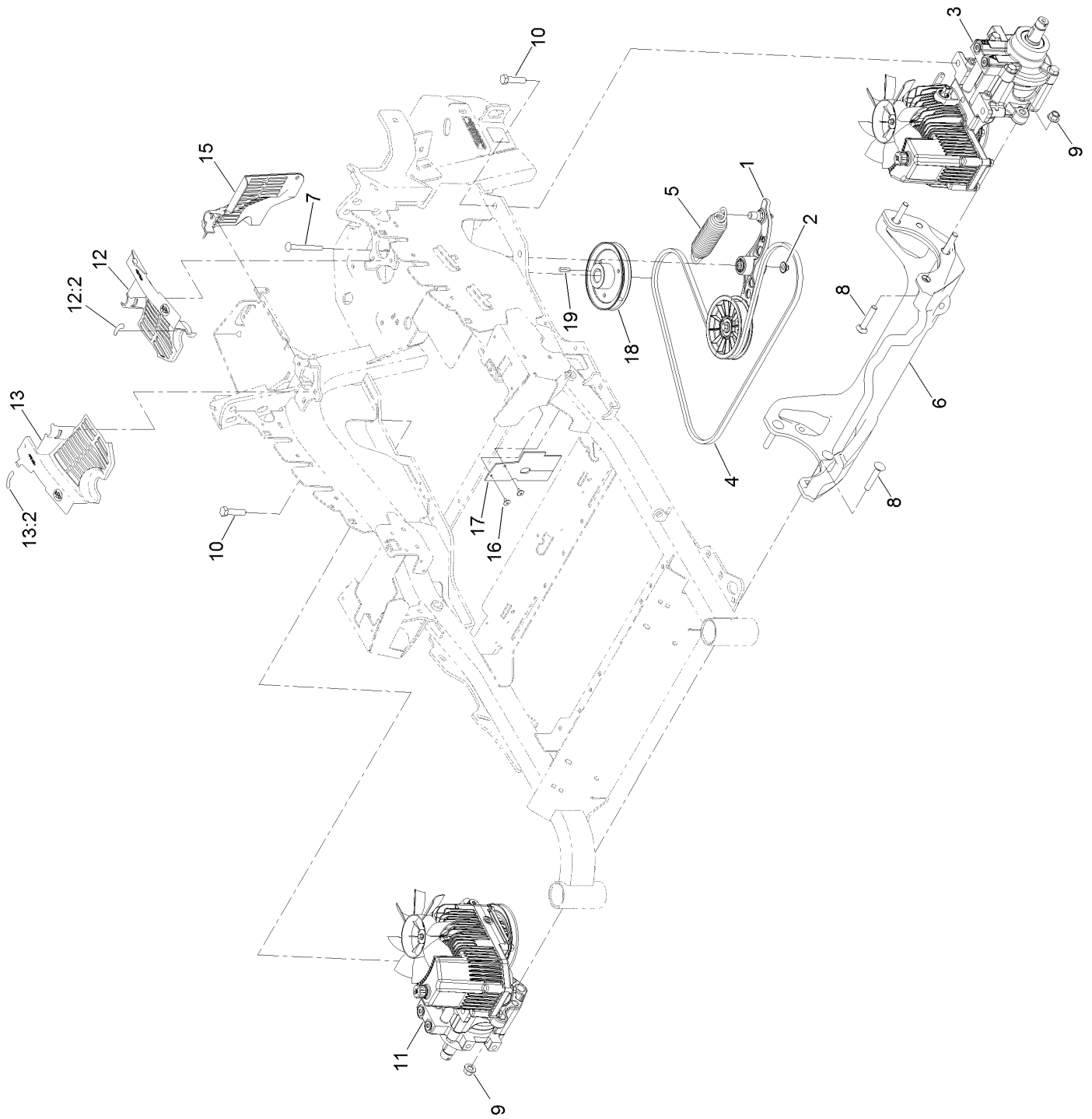
Caster Wheel and Fork Assembly (continued)

<i>Ref.</i>	<i>Part Number</i>	<i>Qty.</i>	<i>Description</i>	<i>Ref.</i>	<i>Part Number</i>	<i>Qty.</i>	<i>Description</i>
1	1-543509	2	Bearing-Roller, Tapered	5:2:3	103-3051	1	Spacer-Nut ■
2	116-5647	1	Seal-Grease	5:2:4	126-5360	1	Axle-Caster
3	116-6702-01	1	Fork-Caster	5:2:5		1	Wheel And Tire ASM ●
4	1-633508	3	Washer-Bellville	5:2:5:1	1-633584	2	Bearing-Cup
5	109-9126	1	Wheel & Tire ASM	5:3	325-42	1	Screw-HH
5:1	103-2768	2	Guard-Seal	5:4	3296-23	1	Nut-Lock, NI
5:2		1	Wheel And Tire ASM ●	6	103-4882	1	Cap-Grease
5:2:1	1-633585	2	Bearing-Cone, Taper	7	3296-51	1	Nut-Lock, NI
5:2:2	103-0063	2	Seal-Caster				

● Not serviced separately

■ Use Pro-Lock, Nut Type (P/N 1-840022, .5ml tube) on threads.

Hydraulic Pump, Idler and Belt Assembly

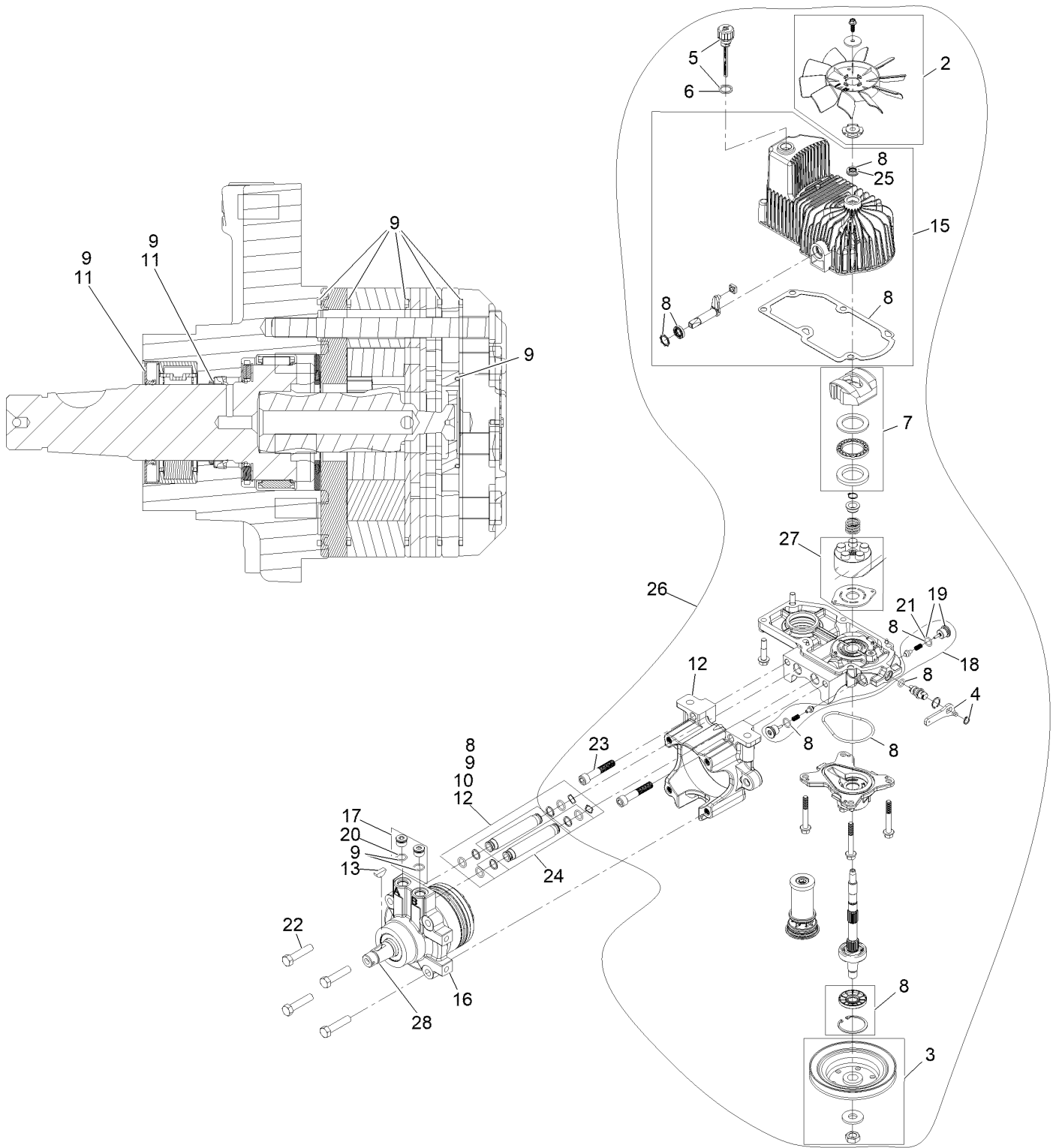


Hydraulic Pump, Idler and Belt Assembly (continued)

<i>Ref.</i>	<i>Part Number</i>	<i>Qty.</i>	<i>Description</i>	<i>Ref.</i>	<i>Part Number</i>	<i>Qty.</i>	<i>Description</i>
1	116-1255	1	Pump Idler ASM	12:2	116-8726	1	Decal-Oil, Hydro
2	109-6658	1	Nut-Flange, NI	13	116-0171	1	RH Hydro Guard ASM
3	135-7899	1	Hydro-LH	13:2	116-8726	1	Decal-Oil, Hydro
4	126-9835	1	Belt-V	15	109-9058	1	Guard-Hydro, Rear (RH)
5	116-6317	1	Spring-Extension	16	1-803035	2	Rivet-Pop
6	116-7558	1	Cradle-Hydro	17	116-2362	1	Deflector-Air Flow
7	116-1502	1	Bolt-Shoulder, Carriage	18	109-9905	1	Sheave
8	126-0095	6	Screw-CARR	19	1-807259	1	Key
9	99-5107	6	Nut-Lock	99	114-4713	1	Hypr-Oil 500 (Quart) ●
10	325-8	4	Screw-HH	99	114-4714	1	Hypr-Oil 500 (Gallon) ●
11	135-7900	1	Hydro-RH	99	114-4715	1	Hypr-Oil 500-5 (5 Gallon) ●
12	116-0170	1	LH Hydro Guard ASM	99	117-0390	1	Filter-Hydro ●

● Not illustrated

LH Hydro Assembly No. 135-7899

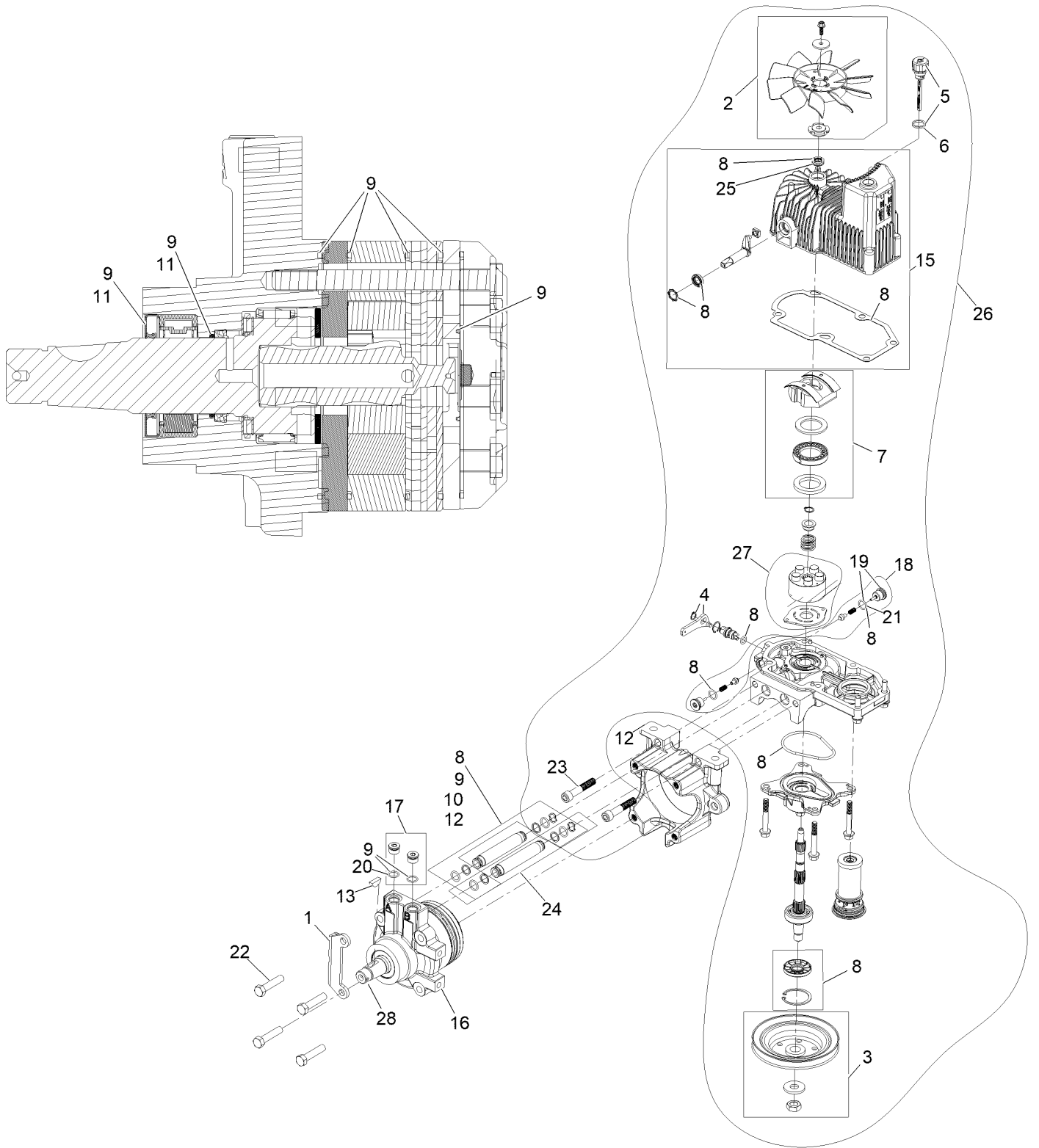


LH Hydro Assembly No. 135-7899 (continued)

<i>Ref.</i>	<i>Part Number</i>	<i>Qty.</i>	<i>Description</i>	<i>Ref.</i>	<i>Part Number</i>	<i>Qty.</i>	<i>Description</i>
2	142-3603	1	Kit, 7.8 In Fan	18	142-3605	1	ASM, Check Valve
3	116-0234	1	Pulley Kit	19	116-1631	2	Plug-Check (W/O-Ring)
4	116-0235	1	Handle	20	76-1900	2	O-Ring
5	116-0236	1	Dipstick	21	116-8662	2	O-Ring-Valve, Check
6	116-0237	1	Gasket	22	116-8974	4	Screw HH
7	116-1367	1	Swash Block Kit	23	116-8975	2	Screw-HSH
8	142-3604	1	Kit, Pump Seal	24	116-9922	2	Hydraulic Tube Kit
9	116-1369	1	Motor Seal Kit	25	126-7711	1	Seal-Drive, Fan
10	116-1370	1	Tube Seal Kit	26	142-3609	1	Kit, Pump Section 12Cc LH
11	116-1371	1	Output Shaft Seal Kit	27	142-4500	1	Kit - 12Cc Port Plate, Rotate Grp
12	116-5469	1	Cup-Nose	28	146-3749	1	Output Shaft- TI Uht Motor
13	3257-42	1	Key-Woodruff	99	116-1373	1	Flow Test Kit ●
15	142-4460	1	Kit, Housing-Hydro LH	99	116-4245	1	Puller-Pulley ●
16	116-8915	1	Motor-Hydraulic				
17	116-7901	1	Magnetic Plugs Service Kit				

● Not illustrated

RH Hydro Assembly No. 135-7900

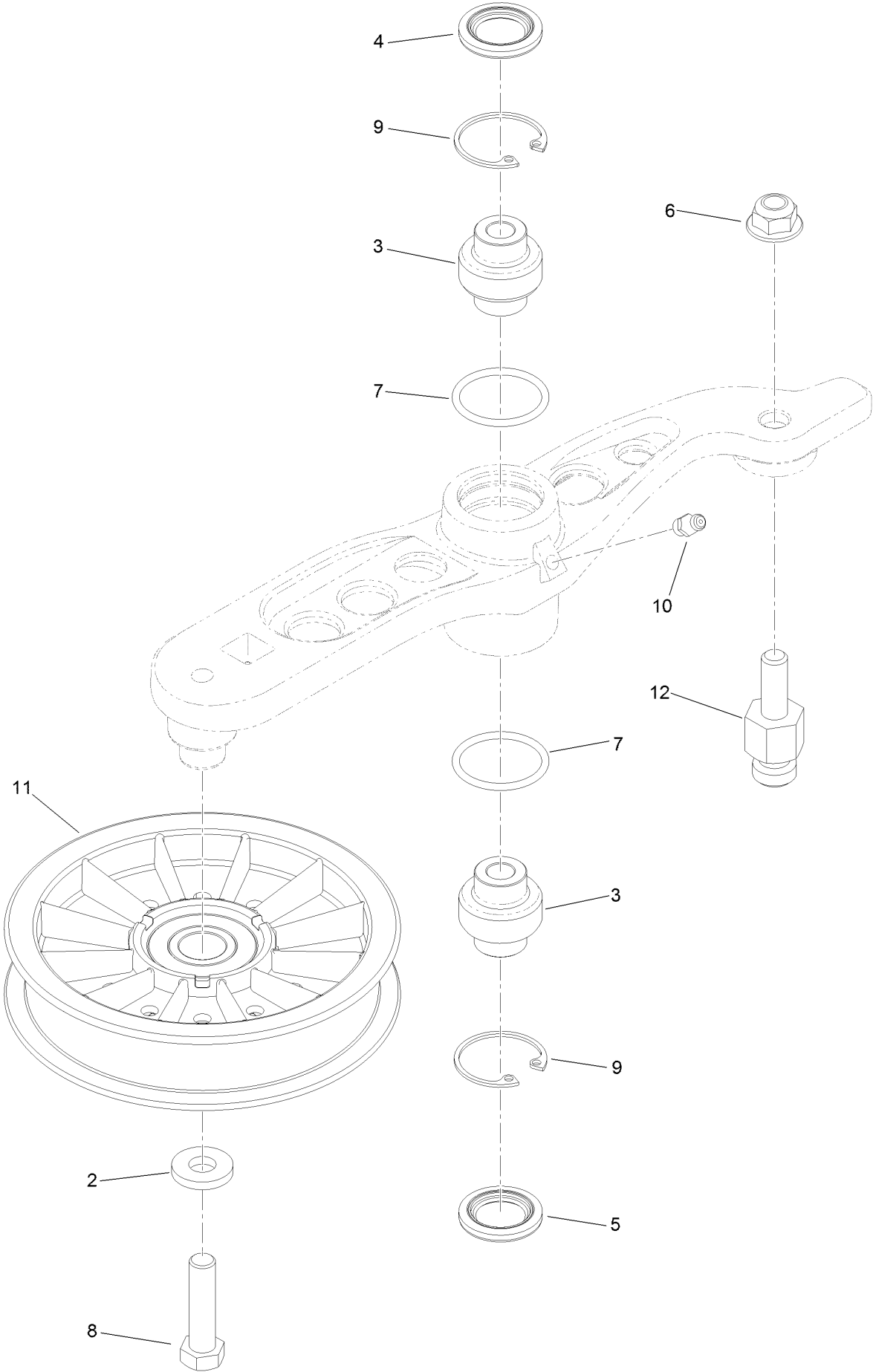


RH Hydro Assembly No. 135-7900 (continued)

<i>Ref.</i>	<i>Part Number</i>	<i>Qty.</i>	<i>Description</i>	<i>Ref.</i>	<i>Part Number</i>	<i>Qty.</i>	<i>Description</i>
1	135-7827	1	Plate, Horse Shoe Mount	17	116-7901	1	Magnetic Plugs Service Kit
2	142-3603	1	Kit, 7.8 In Fan	18	142-3605	1	ASM, Check Valve
3	116-0234	1	Pulley Kit	19	116-1631	2	Plug-Check (W/O-Ring)
4	116-0235	1	Handle	20	76-1900	2	O-Ring
5	116-0236	1	Dipstick	21	116-8662	2	O-Ring-Valve, Check
6	116-0237	1	Gasket	22	116-8974	4	Screw HH
7	116-1367	1	Swash Block Kit	23	116-8975	2	Screw-HSH
8	142-3604	1	Kit, Pump Seal	24	116-9922	2	Hydraulic Tube Kit
9	116-1369	1	Motor Seal Kit	25	126-7711	1	Seal-Drive, Fan
10	116-1370	1	Tube Seal Kit	26	142-3608	1	Kit, Pump Section 12Cc RH
11	116-1371	1	Output Shaft Seal Kit	27	142-4500	1	Kit - 12Cc Port Plate, Rotate Grp
12	116-5469	1	Cup-Nose				
13	3257-42	1	Key-Woodruff	28	146-3749	1	Output Shaft- TI Uht Motor
15	142-4461	1	Kit, Housing-Hydro RH	99	116-1373	1	Flow Test Kit ●
16	116-8916	1	Motor-Hydraulic RH 240Cc	99	116-4245	1	Puller-Pulley ●

● Not illustrated

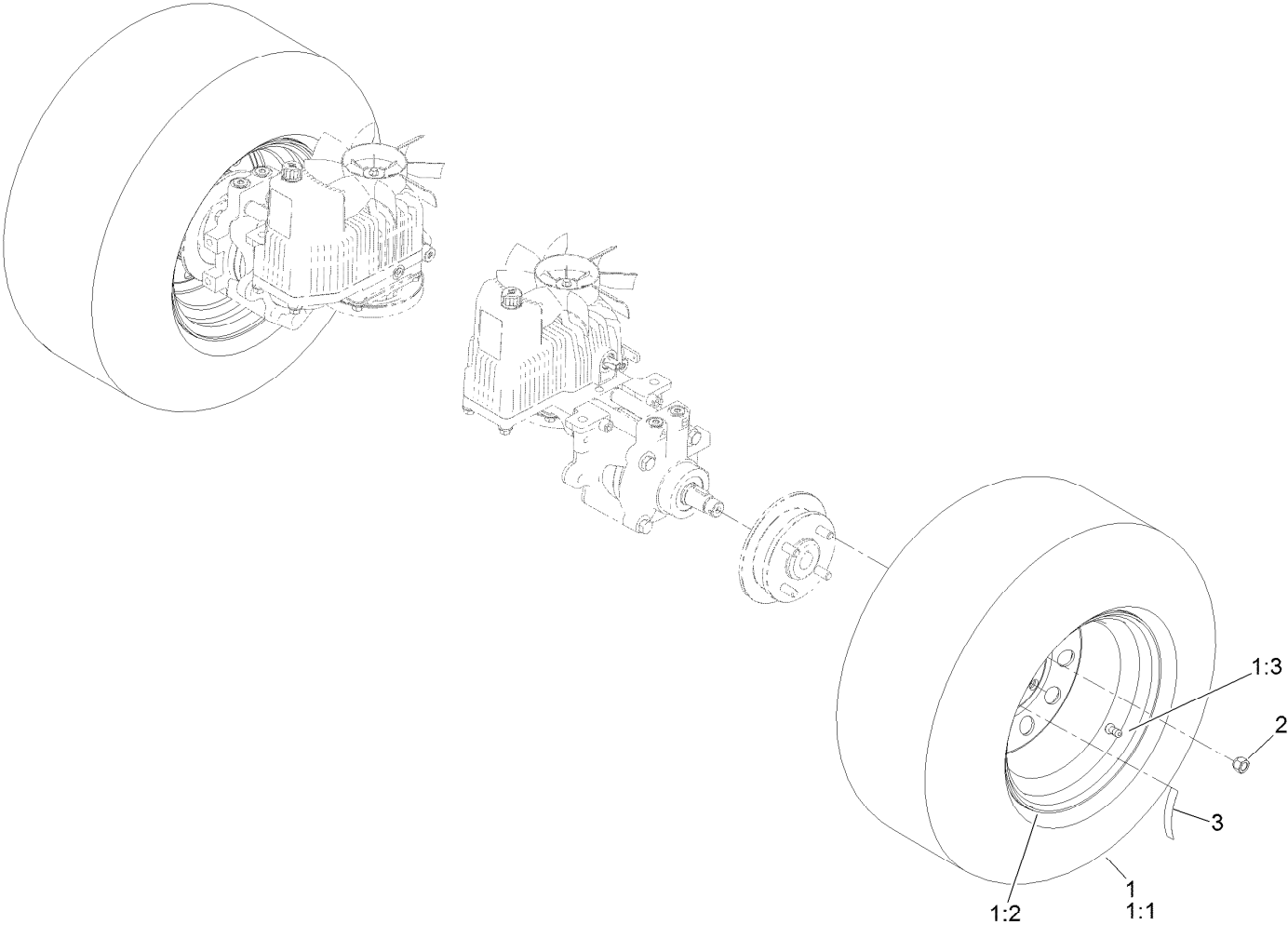
Pump Idler Assembly No. 116-1255



Pump Idler Assembly No. 116-1255 (continued)

<i>Ref.</i>	<i>Part Number</i>	<i>Qty.</i>	<i>Description</i>	<i>Ref.</i>	<i>Part Number</i>	<i>Qty.</i>	<i>Description</i>
2	43-0940	1	Spacer	8	323-8	1	Screw-HH
3	103-3504	2	Bearing-Spherical	9	32120-10	2	Ring-Snap
4	103-3505	1	Seal-Lip, Double	10	302-19	1	Fitting-Grease
5	103-3506	1	Seal-Lip, Single	11	109-8076	1	Pulley-Idler
6	109-6658	1	Nut-Flange, NI	12	132-4724	1	Pin-Anchor, Spring
7	106-7159	2	O-Ring				

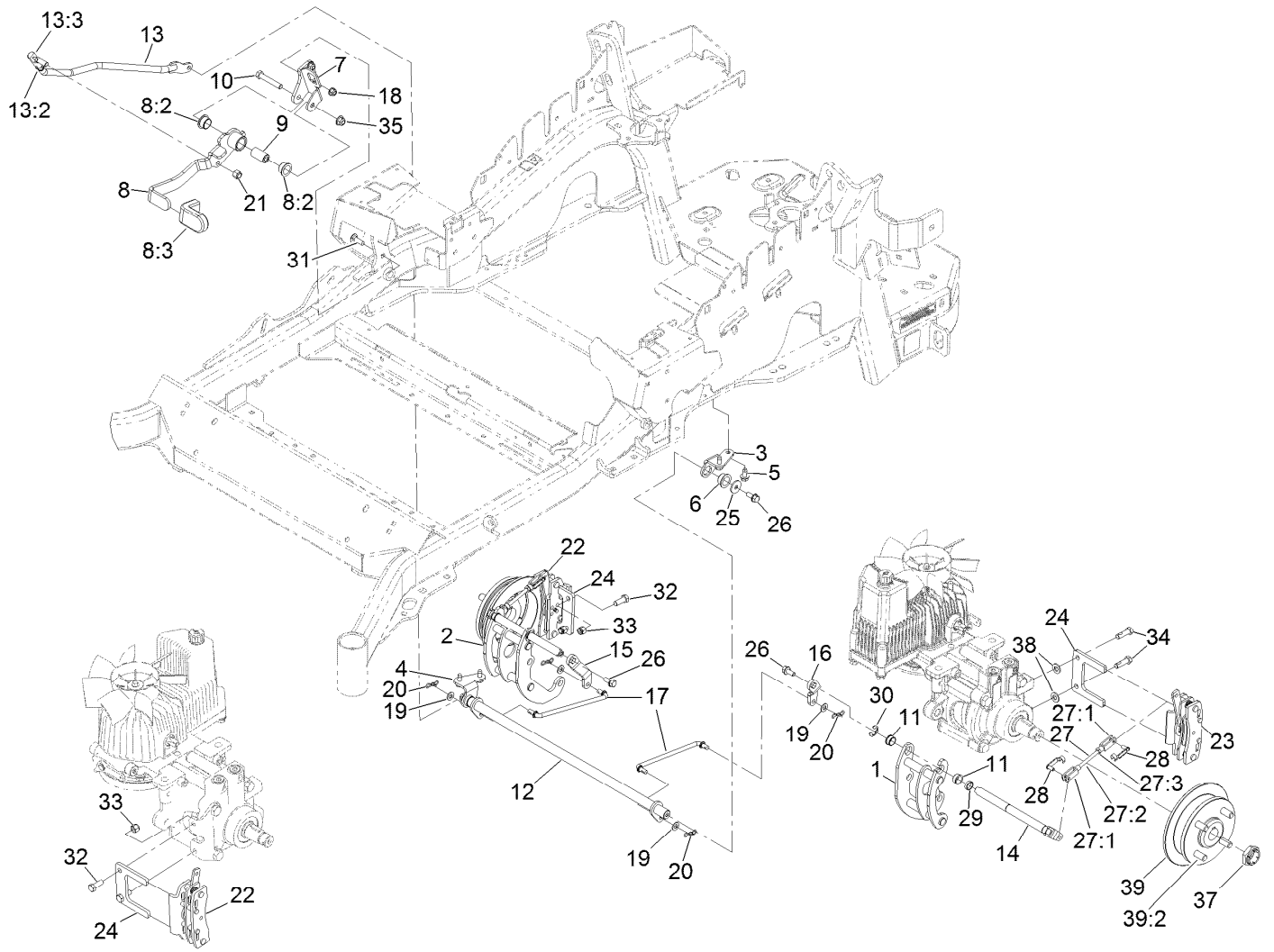
Rear Wheel Assembly



Rear Wheel Assembly (continued)

<i>Ref.</i>	<i>Part Number</i>	<i>Qty.</i>	<i>Description</i>	<i>Ref.</i>	<i>Part Number</i>	<i>Qty.</i>	<i>Description</i>
1	127-9543	2	Wheel And Tire ASM	2	242-50	8	Nut-Lug
1:1	127-9523	1	Tire	3	126-2055	2	Decal-Torque, Wheel Hub Lug
1:2	109-3645	1	Rim ASM				
1:3	232-27	1	Stem-Valve				

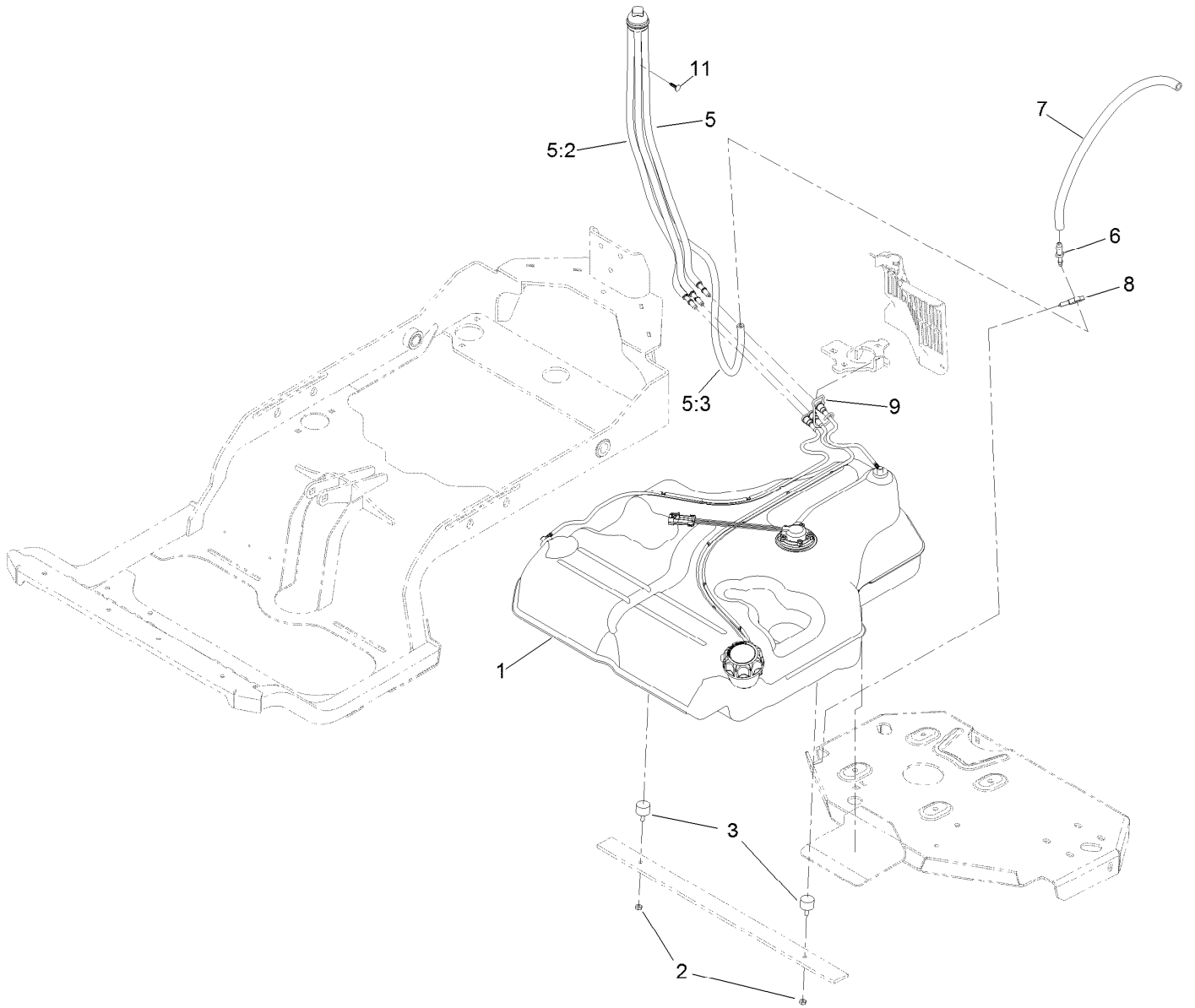
Park Brake Assembly



Park Brake Assembly (continued)

<i>Ref.</i>	<i>Part Number</i>	<i>Qty.</i>	<i>Description</i>	<i>Ref.</i>	<i>Part Number</i>	<i>Qty.</i>	<i>Description</i>
1	126-4248	1	Mount-Bellcrank, LH	20	119-1415	4	Pin-Cotter, Locking
2	126-4249	1	Mount-Bellcrank, RH	21	3296-6	1	Nut-Lock
3	116-9681	1	Mount-Pivot, LH	22	135-7440	1	Caliper-Brake, RH
4	116-9682	1	Mount-Pivot, RH	23	135-7441	1	Caliper-Brake, LH
5	32144-70	4	Screw-HWHTF	24	135-7828	2	Plate-Mount, Brake
6	109-8054	2	Bushing-Flange	25	115-7109	2	Washer-Flat
7	116-9096-01	1	Bracket-Mount	26	98-9940	4	Screw-HHF
8	135-7565	1	Brake Lever ASM	27	126-7587	2	Rear Linkage ASM
8:2	109-8054	2	Bushing-Flange	27:1	126-7588	2	Yoke
8:3	132-4749	1	Grip-Lever	27:2	116-9069	1	Linkage, Rear
9	116-9117	1	Pivot-Handle, Brake	27:3	3220-1	1	Nut-Jam
10	323-11	1	Screw-HH	28	126-6395	4	Pin-Clevis, Spring
11	126-6199	4	Bushing	29	126-6200	2	Spacer
12	135-7800	1	Shaft-Cross	30	32120-19	2	E-Ring
13	135-7805	1	ASM, Front Linkage	31	3230-2	2	Bolt-CARR
13:2	94-7572	1	End-Tie Rod, RH	32	135-7915	2	Screw-HH,
13:3	3220-3	1	Nut-HJ	33	112-0236	2	Nut-Lock
14	126-4251	2	Bellcrank	34	135-7890	2	Screw-HH, Patch,
15	126-3716	1	Arm-Inner, RH	35	104-8301	1	Nut-HF, NI
16	126-3715	1	Arm-Inner, LH	37	116-1399	2	Locknut
17	135-7584	2	Wireform, Mid-Link, Lwb	38	3256-24	2	Washer-Plain
18	104-8300	2	Nut-HF, NI	39	116-1746	2	Wheel Hub ASM
19	3256-23	4	Washer-Plain	39:2	116-1696	4	Stud-Wheel

Fuel System Assembly



Fuel System Assembly (continued)

<i>Ref.</i>	<i>Part Number</i>	<i>Qty.</i>	<i>Description</i>	<i>Ref.</i>	<i>Part Number</i>	<i>Qty.</i>	<i>Description</i>
1	135-0643	1	Fuel Tank ASM	6	116-5072	1	Fitting-Straight
2	3218-1	2	Nut-Jam	7	116-5087	1	Hose-Fuel
3	1-523420	2	Bumper	8	105-1853	1	Clamp-Hose
5	127-0583	1	Fuel Manifold Vent ASM	9	116-6005	1	Retainer-Line, Vapor
5:2	109-0302	3	Hose-Fuel	11	125-8067	1	Plug-Plastic
5:3	108-5376	1	Hose-Fuel				

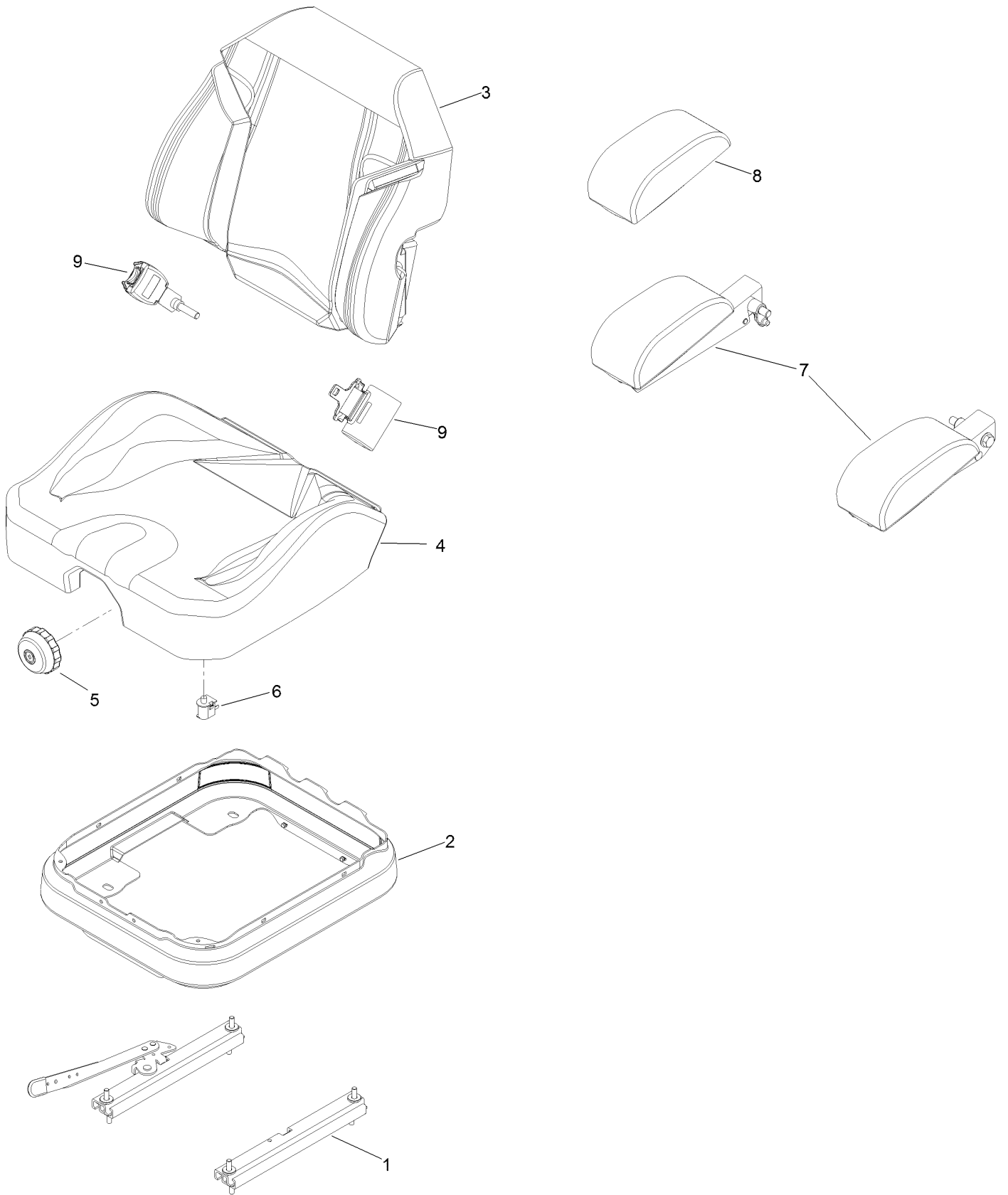
Fuel Tank Assembly No. 135-0643 (continued)

<i>Ref.</i>	<i>Part Number</i>	<i>Qty.</i>	<i>Description</i>	<i>Ref.</i>	<i>Part Number</i>	<i>Qty.</i>	<i>Description</i>
2	46-6560	4	Bushing	8:1	46-6560	1	Bushing
3	116-2459	1	Fuel Line Kit (With Grommet)	9	116-2461	1	LH Vent Line Kit (With Grommet)
3:1	46-6560	1	Bushing	9:1	46-6560	1	Bushing
4	3290-500	5	Screw-PPH	10	116-2462	1	Rear Vent Line Kit (With Grommet)
5	3253-17	5	Washer-Lock				
6	126-3913	1	Float-Sender, Fuel	10:1	46-6560	1	Bushing
6:1	126-3950	1	Gasket-Sender	11	1-603770	1	Valve-Fuel
7	126-1789	1	Cap-Fuel, Ratcheting	12	2412-98	2	Clamp-Hose
8	116-2460	1	RH Vent Line Kit (With Grommet)	13	109-0650	1	Hose-Fuel

Seat Mounting Assembly (continued)

<i>Ref.</i>	<i>Part Number</i>	<i>Qty.</i>	<i>Description</i>	<i>Ref.</i>	<i>Part Number</i>	<i>Qty.</i>	<i>Description</i>
1	140-8003	1	Seat-Suspension	8:3	125-9383	1	Decal-Service Aid
2	109-9034	4	Isolator-Seat	9	9266934	2	Screw
3	104-8301	4	Nut-HF, NI	10	140-1215	1	Decal-Console
4	117-0910	1	Seat Base ASM	11	117-0901-03	2	Cover
5	3230-23	10	Bolt-CARR	12	32105-15	2	Screw-HWH
6	104-8300	14	Nut-HF, NI	13	119-4241-03	1	Guard-CE
7	116-9329	4	Spacer	14	3256-60	4	Washer-Flat
8	116-2324	1	Mount-Seat	15	106-8737	4	Nut-Retainer
8:2	114-4468	1	Decal-Console	16	3234-21	2	Screw-HHF

Seat Assembly No. 140-8003

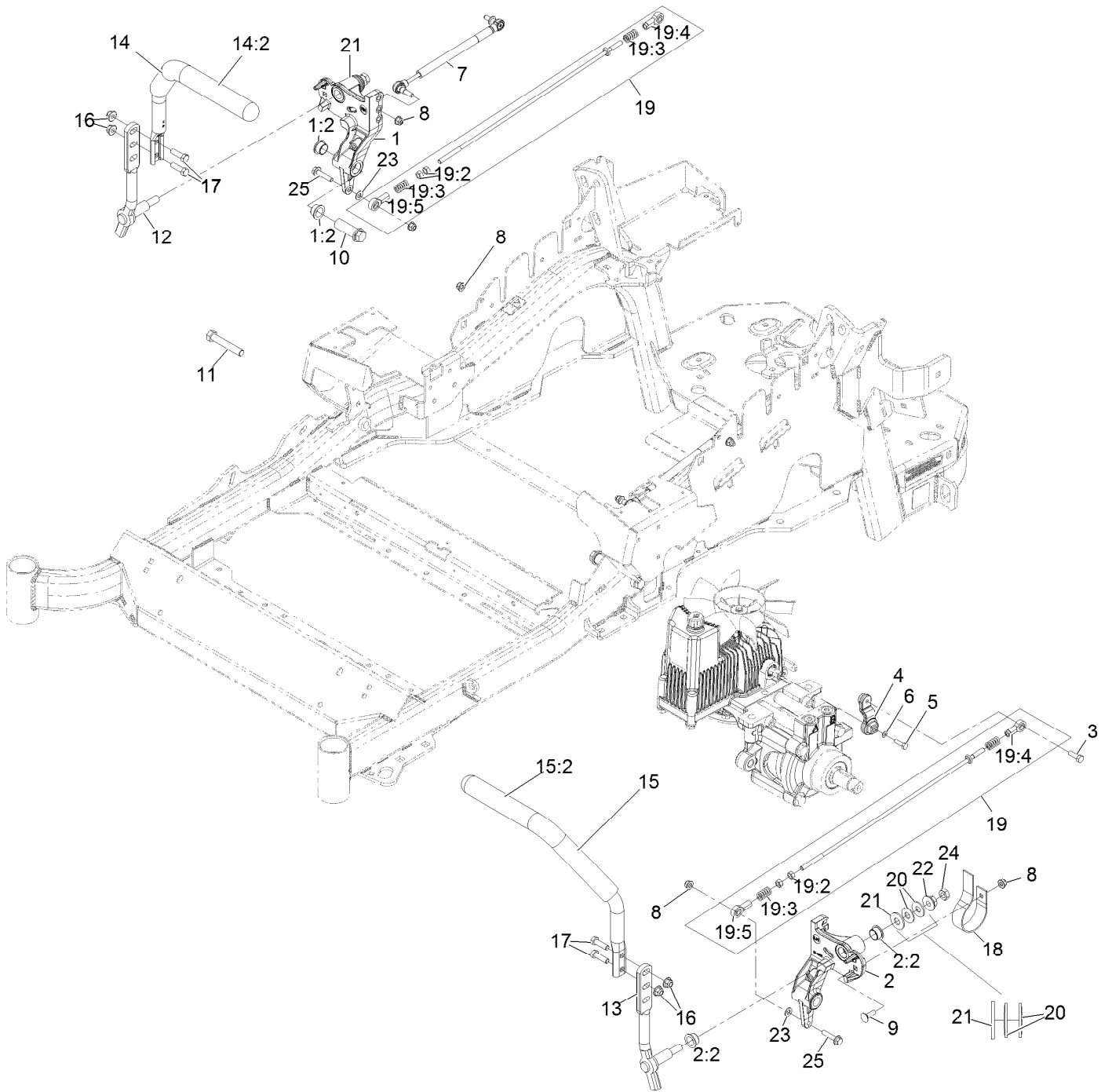


Seat Assembly No. 140-8003 (continued)

<i>Ref.</i>	<i>Part Number</i>	<i>Qty.</i>	<i>Description</i>
1	140-8012	1	Seat Track Set
2	116-5659	1	Cover-Suspension Bellows
3	140-8004	1	Cover-Back
4	140-8005	1	Cover-Cushion
5	116-8911	1	Knob-Adjuster

<i>Ref.</i>	<i>Part Number</i>	<i>Qty.</i>	<i>Description</i>
6	82-2190	1	Switch-Bail
7	109-9803	1	Arm Rest Set
8	109-9802	1	Arm Rest Pad Set
9	126-2061	1	Seat Belt Service Kit

Motion Control Assembly

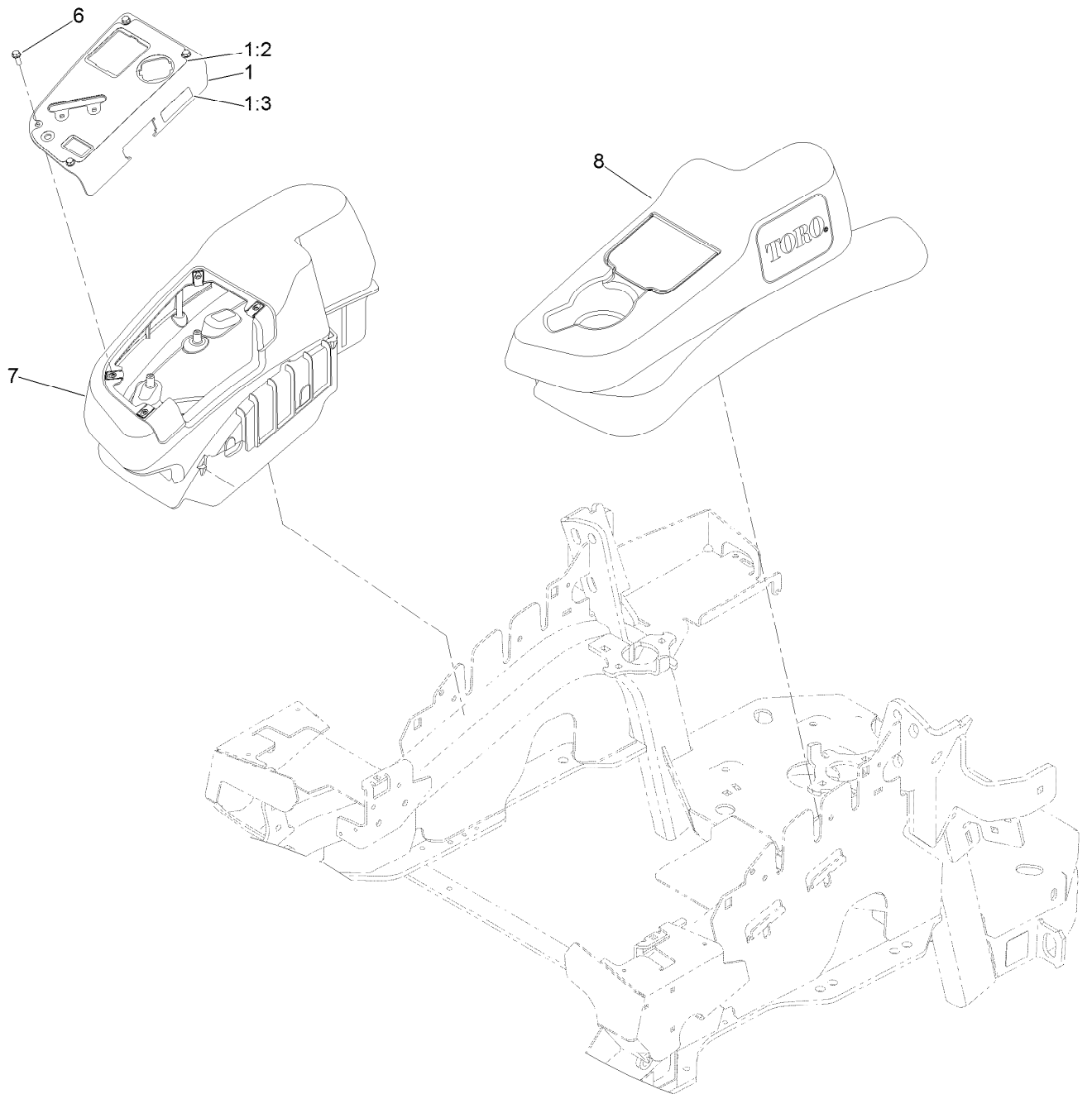


Motion Control Assembly (continued)

<i>Ref.</i>	<i>Part Number</i>	<i>Qty.</i>	<i>Description</i>	<i>Ref.</i>	<i>Part Number</i>	<i>Qty.</i>	<i>Description</i>
1	116-0880	1	RH Motion Control And Bushing ASM	14:2	109-5668	1	Grip-Lever, Control
1:2	109-8054	4	Bushing-Flanged	15	135-4373	1	LH Handle ASM
2	116-0881	1	LH Motion Control And Bushing ASM	15:2	109-5668	1	Grip-Lever, Control
2:2	109-8054	4	Bushing-Flanged	16	104-8301	4	Nut-Nyloc 3/8-16 Flg
3	116-0648	2	Screw-HH 5/16-18 X 1 W/Patch ●	17	323-7	4	Screw-HH 3/8-16 X 1 1/4
4	109-4581	2	Arm-Control, Pump	18	109-5575	2	Spring-Leaf
5	9080046	2	Screw-HH 1/4-20 X 7/8 ●	19	109-8107	2	Pump Linkage Rear ASM
6	1-303435	2	Washer-Spring Disc 1/4	19:2	3219-2	2	Nut-Hex 5/16-24
7	116-0027	2	Damper-Control, Motion	19:3	1-323245	2	Spring-Compression
8	104-8300	8	Nut-Nyloc 5/16-18 Flg	19:4	1-633152	1	Balljoint
9	3230-2	2	Bolt-Carriage 5/16-18 X 1	19:5	1-543017	1	Balljoint
10	109-5891	2	Hub-Threaded	20	109-9505	4	Washer, Spring Disc 1/2
11	325-12	2	Screw-HH 1/2-13 X 3	21	3256-6	2	Washer
12	116-0039	1	Lever-Control Motion, RH	22	32128-56	2	Nut-Hex 1/2-13 Flange
13	116-0040	1	Lever-Control Motion, LH	23	3256-23	2	Washer-5/16 SAE
14	135-4371	1	RH Handle ASM	24	3218-5	2	Nut-Jam 1/2-13
				25	115-1794	2	Screw-Hex Flange 5/16-18 X 1 1/2

● Use Pro-Lock, Nut Type (P/N 1-840022, .5ml tube) on threads.

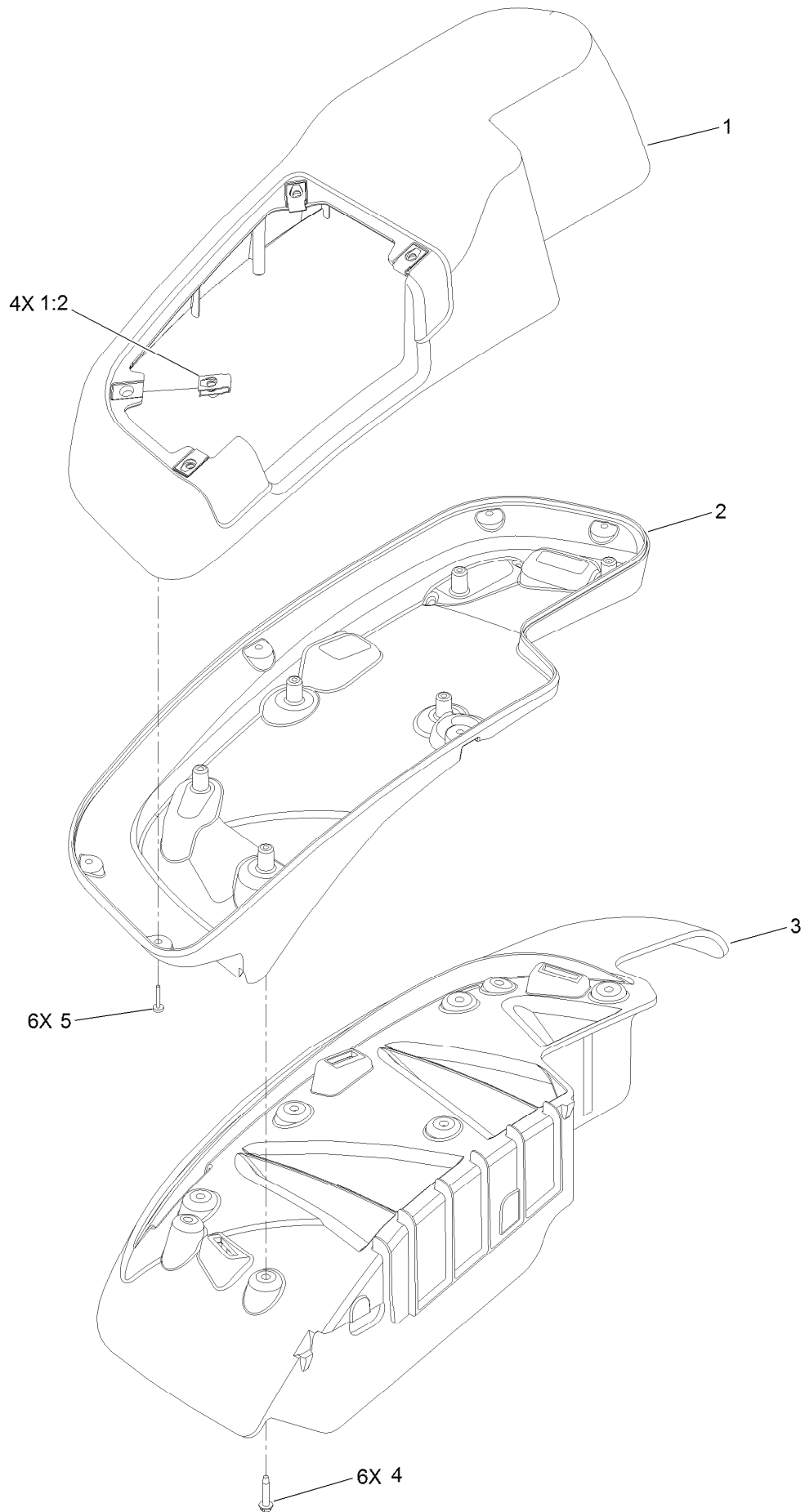
Console Assembly



Console Assembly (continued)

<i>Ref.</i>	<i>Part Number</i>	<i>Qty.</i>	<i>Description</i>	<i>Ref.</i>	<i>Part Number</i>	<i>Qty.</i>	<i>Description</i>
1	114-9837	1	Control Panel ASM	7	115-7402	1	RH Narrow Fender/Console ASM
1:2	120-5898	1	Decal-Control Panel	8	115-7403	1	LH Narrow Fender/Console ASM
1:3	114-4466	1	Decal-Fuses				
6	32105-15	4	Screw-HWH				

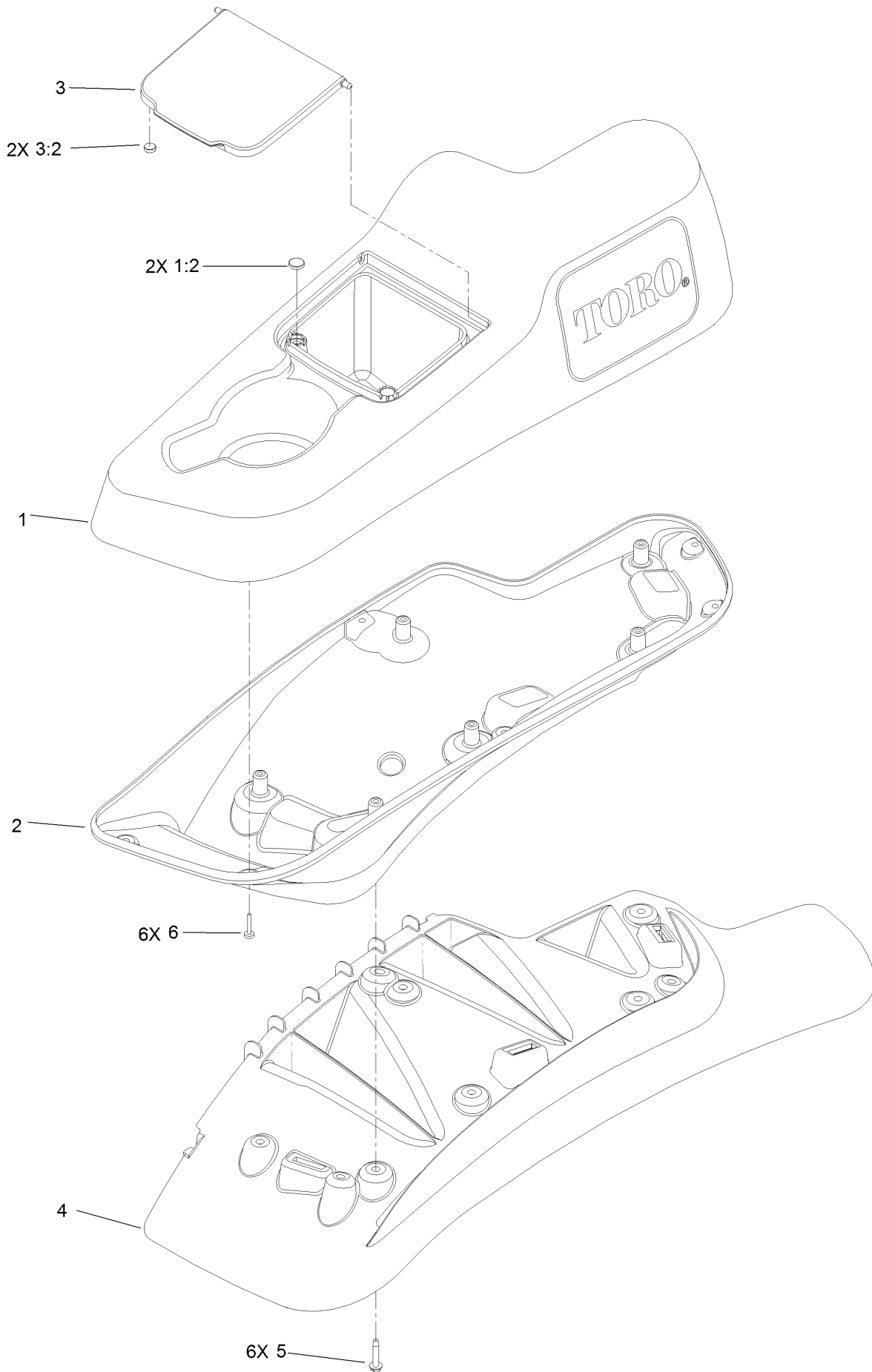
RH Console Assembly No. 115-7402



RH Console Assembly No. 115-7402 (continued)

<i>Ref.</i>	<i>Part Number</i>	<i>Qty.</i>	<i>Description</i>	<i>Ref.</i>	<i>Part Number</i>	<i>Qty.</i>	<i>Description</i>
1	114-1542	1	RH Console Top ASM	3	109-9077	1	Fender-Narrow, RH
1:2	107069	4	Clip	4	32144-89	6	Screw-Thread Forming
2	114-9823	1	Console-Narrow, RH	5	117-0347	6	Screw-PPH

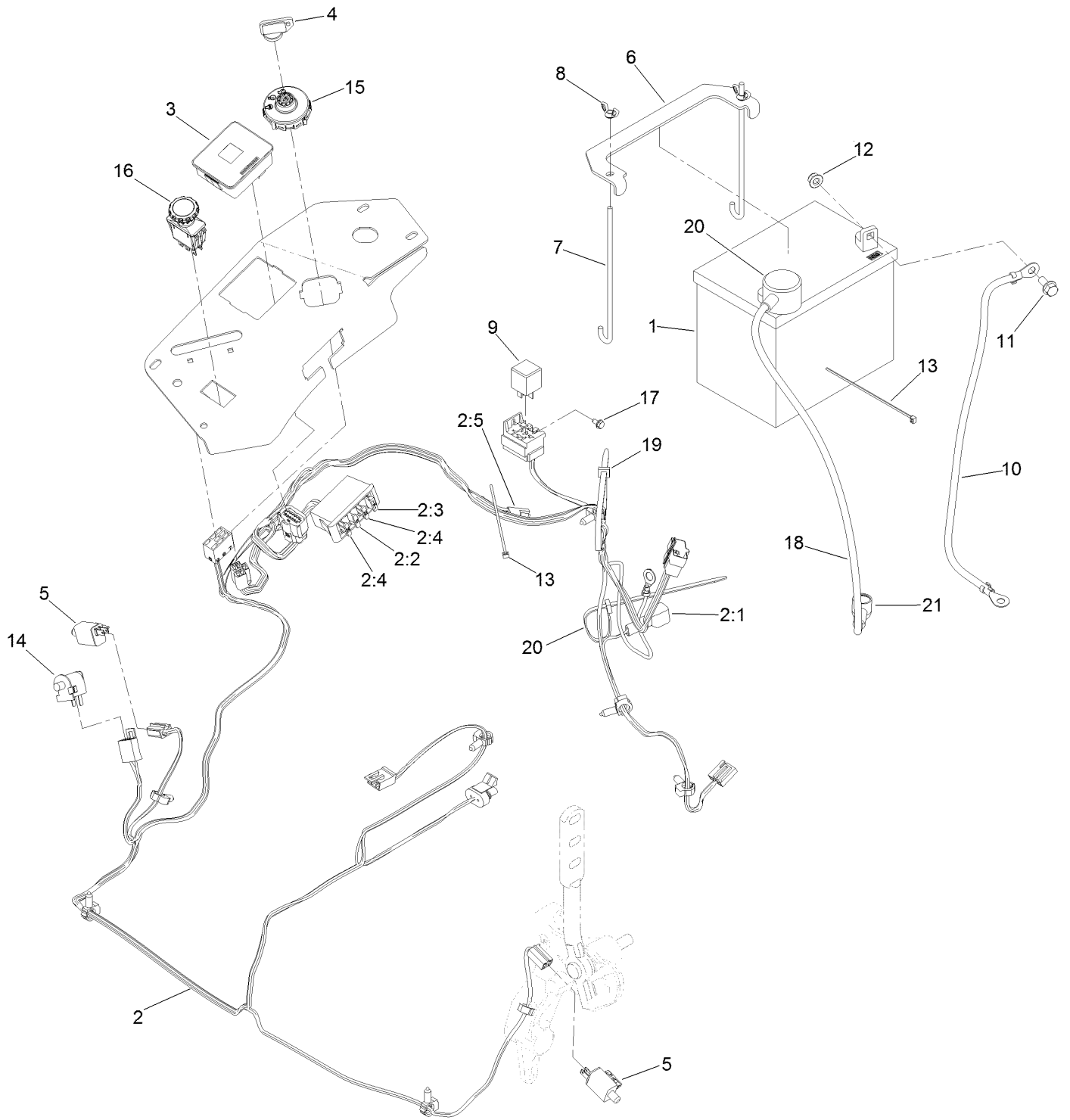
LH Console Assembly No. 115-7403



LH Console Assembly No. 115-7403 (continued)

<i>Ref.</i>	<i>Part Number</i>	<i>Qty.</i>	<i>Description</i>	<i>Ref.</i>	<i>Part Number</i>	<i>Qty.</i>	<i>Description</i>
1	114-1541	1	LH Console Top ASM	3:2	114-5896	2	Magnet
1:2	117-0883	2	Puck	4	109-9080	1	Fender-LH
2	114-9821	1	LH Lower Console ASM	5	32144-89	6	Screw-Thread Forming
3	114-1536	1	Lid ASM	6	117-0347	6	Screw-PPH

Electrical Assembly



Electrical Assembly (continued)

<i>Ref.</i>	<i>Part Number</i>	<i>Qty.</i>	<i>Description</i>	<i>Ref.</i>	<i>Part Number</i>	<i>Qty.</i>	<i>Description</i>
1	104-8162	1	Battery	9	1-643275	1	Relay
2	116-6009	1	Harness-Wire, Main ●	10	114-1218	1	Cable-Battery, Negative
2:1	103-3895	1	Diode	11	3234-5	2	Screw-HHF
2:2	218-578	1	Fuse-Blade, 10 Amp	12	104-8300	2	Nut-HF, NI
2:3	109355	1	Fuse-Blade, 15 Amp	13	1-303287	2	Tie-Cable
2:4	109102	2	Fuse-Blade, 25 Amp	14	82-2190	1	Switch-Bail
2:5	116-0053	1	Cap-Plug	15	137-4100	1	Switch-Ignition
3	117-3882	1	Fuel/Hour Meter ASM	16	116-0124	1	Switch-PTO, 10 Amp
4	1-603511	1	Keys-Ignition (Spare Pair)	17	104-2065	1	Screw-HWH
4	63-8360	1	Key-Ignition	18	115-3864	1	Cable-Battery, Positive
5	110-6765	2	Switch	19	1-303335	2	Tie-Plastic
6	116-0042-03	1	Strap-Tie Down, Battery	20	109-2407	1	Insulator-Battery
7	1-633651	2	Bolt-Holddown	21	1-543393	1	Insulator-Solenoid
8	1-543792	2	Wingnut				

● Use dielectric grease on all unsealed connectors and terminals only. Do not apply in sealed connectors.

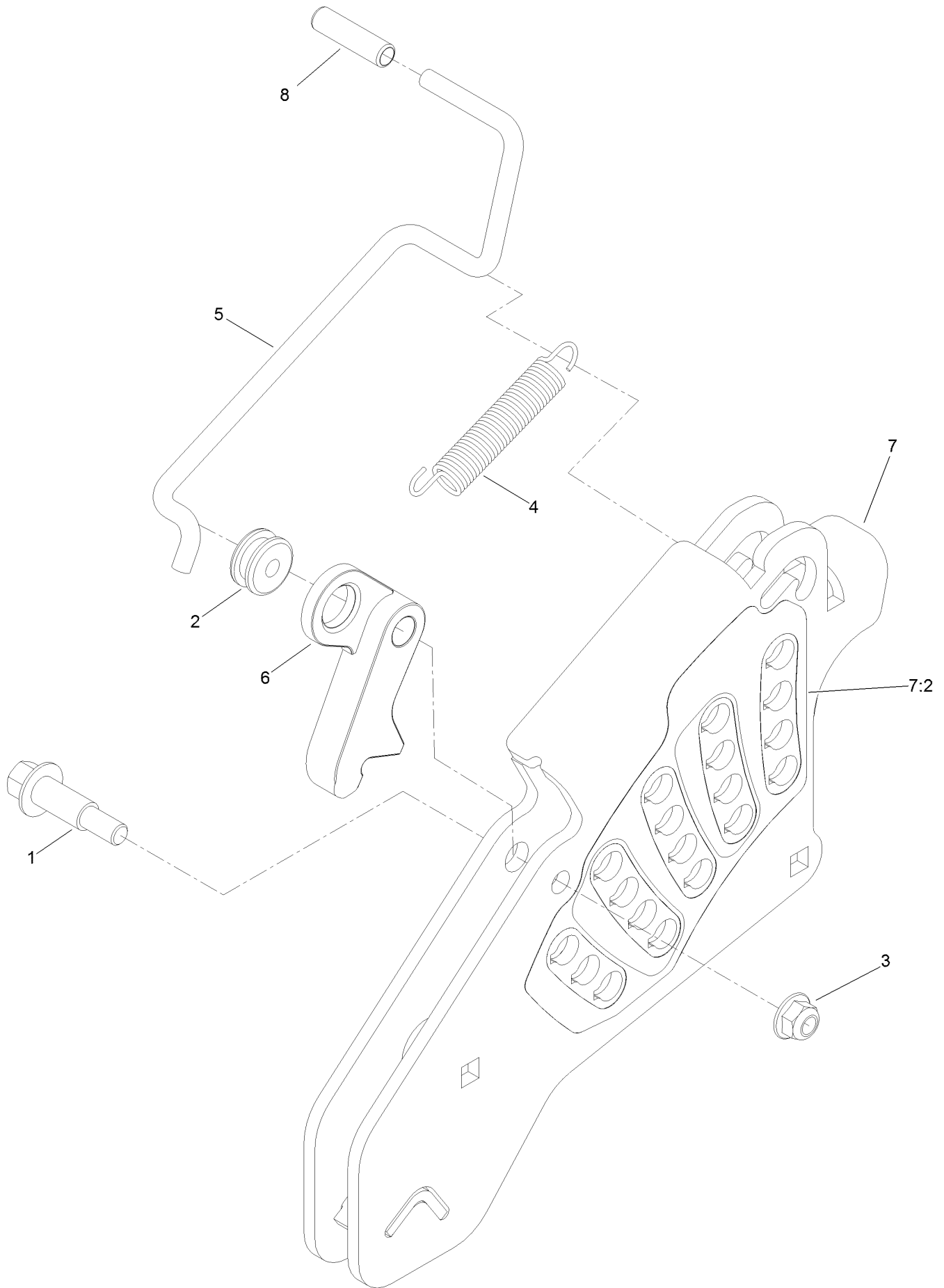
Deck Lift Assembly



Deck Lift Assembly (continued)

<i>Ref.</i>	<i>Part Number</i>	<i>Qty.</i>	<i>Description</i>	<i>Ref.</i>	<i>Part Number</i>	<i>Qty.</i>	<i>Description</i>
1	86-1990	6	Washer-Thrust	15	109-9410	2	Bearing-Cross Shaft, Front
2	99-5107	12	Nut-Lock	16	109-9840	4	Screw-Shoulder, HHF
3	104-8301	12	Nut-HF, NI	17	325-12	2	Screw-HH
4	109-5013	1	Panhard Rod ASM	18	325-17	1	Screw-HH
4:2	109-5009	2	Bushing-Suspension, Rubber	19	3231-2	2	Bolt-CARR
4:3	109-5010	2	Spacer	20	3231-4	2	Screw-CARR
5	109-7173	2	Bearing-Cross Shaft, Rear	21	3231-7	4	Screw-CARR
6	116-1919-01	1	Lever-Foot	22	3233-34	3	Screw-CARR
7	117-3842	1	Height-Of-Cut ASM	23	3296-23	1	Nut-Lock, NI
8	126-2477-03	1	Decklift-Front	24	116-1700	4	Bolt-CARR
9	127-0553	2	Support-Bearing, Cross Shaft (Rear)	25	116-0559	1	Bolt-TAP
10	109-7952	2	Deck Strut ASM	26	116-2022	2	Screw-HHF, Shoulder
10:2	109-5009	2	Bushing-Suspension, Rubber	31	92-7674	1	Bolt-Shoulder
10:3	109-5010	2	Spacer	32	116-0886	1	Spring-Extension
11	116-0797-03	1	Link-Lift, Deck	33	109-9065	1	Screw-HH
12	116-2645-03	1	Lift-Deck, Rear	34	32128-37	2	Nut-HF
13	116-5584	1	Pin-HOC	35	3256-28	2	Washer-Flat
14	109-9409	2	Support-Bearing, Cross Shaft (Front)	36	116-2695	1	Spacer
				37	109-8007	4	Link-Adjuster, Deck Lift
				38	109-7840	4	Adjuster-Lift, Deck
				39	109-8353	4	Trunnion
				40	3218-5	4	Nut-Jam

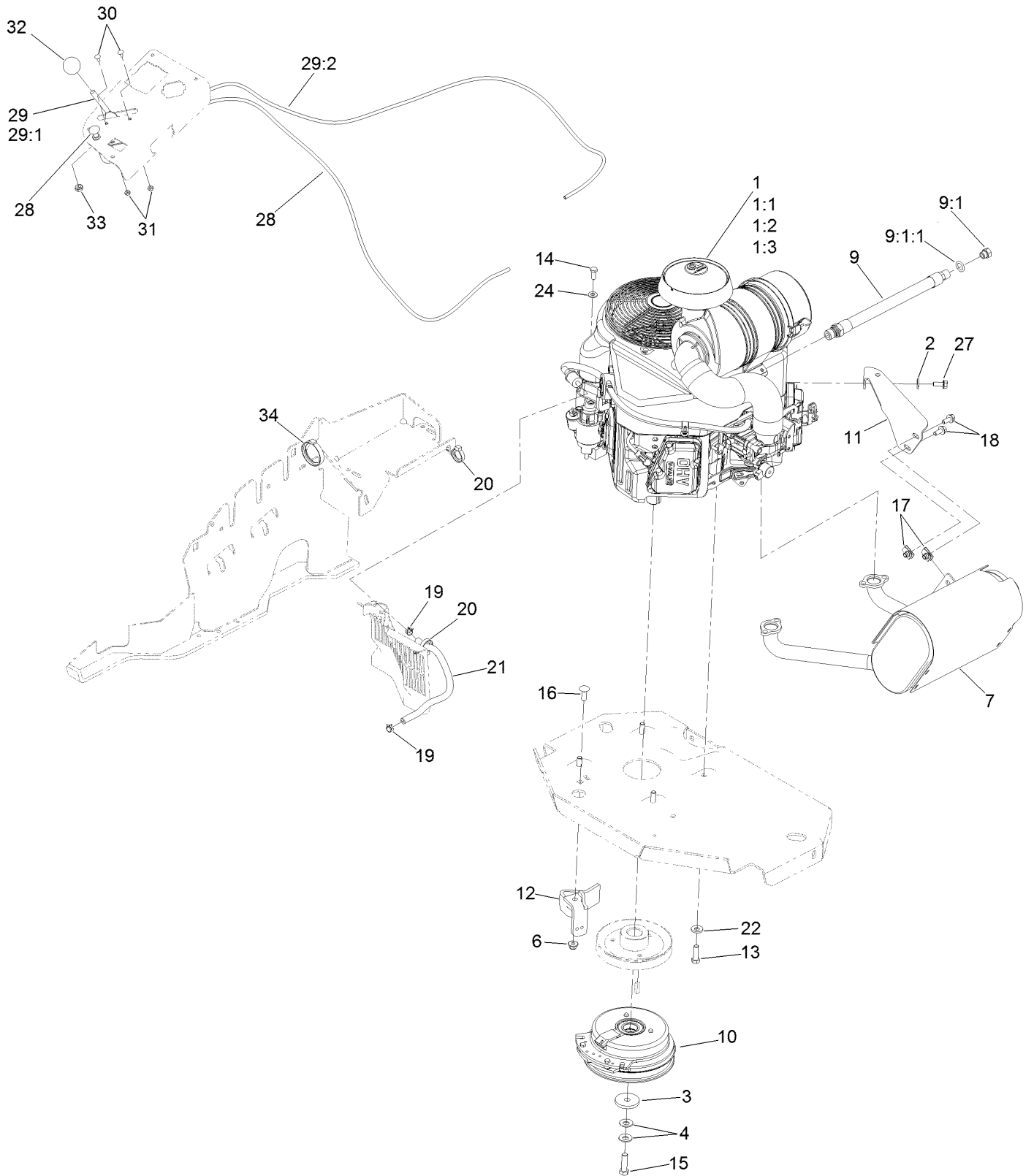
Height-of-Cut Assembly No. 117-3842



Height-of-Cut Assembly No. 117-3842 (continued)

<i>Ref.</i>	<i>Part Number</i>	<i>Qty.</i>	<i>Description</i>	<i>Ref.</i>	<i>Part Number</i>	<i>Qty.</i>	<i>Description</i>
1	62-1330	1	Bolt-Shoulder	6	116-0118	1	Pawl-Transport, HOC
2	109-7130	1	Grommet	7	117-3837	1	Plate-Height Adjuster
3	104-8301	1	Nut-HF, NI	7:2	114-4470	1	Decal-HOC
4	109-7124	1	Spring-Extension	8	109-8250	1	Grip-Lever
5	109-7128	1	Rod-Lock, Transport				

Engine, Clutch and Muffler Assembly



Engine, Clutch and Muffler Assembly (continued)

<i>Ref.</i>	<i>Part Number</i>	<i>Qty.</i>	<i>Description</i>	<i>Ref.</i>	<i>Part Number</i>	<i>Qty.</i>	<i>Description</i>
1		1	Engine - Kawasaki ■▲	14	33114-020	1	Screw-HH
1:1		1	Kawasaki 49065-7007	15	109-9761	1	Screw-HH □
			Engine Oil Filter ■▲	16	3231-22	1	Screw-CARR
1:2		1	Kawasaki 11013-7044	17	94-2413	2	Nut-U
			Engine Air Filter ■▲	18	3234-5	2	Screw-HHF
1:3		1	Kawasaki 11013-7045	19	2412-98	2	Clamp-Hose
			Safety Filter ■▲	20	105-1853	2	Clamp-Hose
2	1-303334	1	Washer-Spring	21	109-0296	1	Hose-Fuel
3	109-6919	1	Washer-Plain	22	98-5975	4	Washer-Belleville
4	1-603610	2	Washer-Spring	24	33094-00	1	Washer-Plain
6	104-8301	1	Nut-HF, NI	27	95-4184	1	Screw-HHF
7	116-1715	1	Muffler	28	115-2753	1	Control-Choke
9	116-4924	1	Engine Oil Drain Hose ASM	29	110-5727	1	Throttle Control ASM
			◆	29:1	112-2334	1	Lever-Throttle
9:1	353-508	1	Plug-HH ●	29:2	110-5728	1	Cable-Throttle
9:1:1	237-42	1	O-Ring	30	1-807513	2	Bolt-CARR
10	116-1620	1	Clutch Kit	31	3296-2	2	Nut-Lock, NI
11	116-1435	1	Bracket-Muffler	32	1-603175	1	Knob-Ball
12	116-2612-01	1	Clutch-Anchor	33	3220-3	1	Nut-HJ
13	323-7	4	Screw-HH	34	117-7817	1	Clamp-Harness

● Torque to 24-26 ft-lb

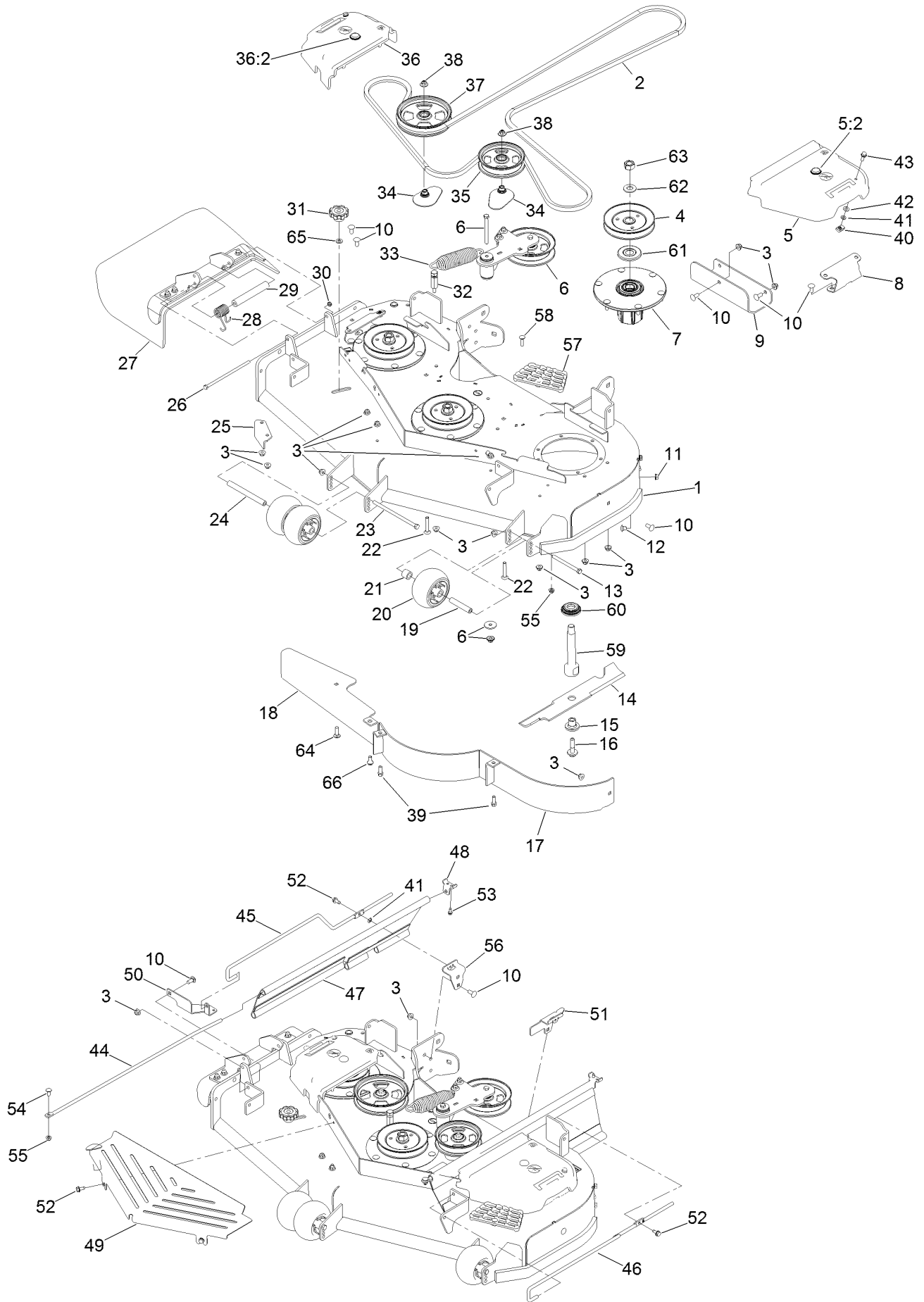
▲ Obtain parts from www.kawpower.com

◆ Use a Teflon Pipe Sealant or equivalent on threads.

□ Use Pro-Lock, Nut Type (P/N 1-840022, .5ml tube) on threads.

■ Not serviced separately

Deck Assembly

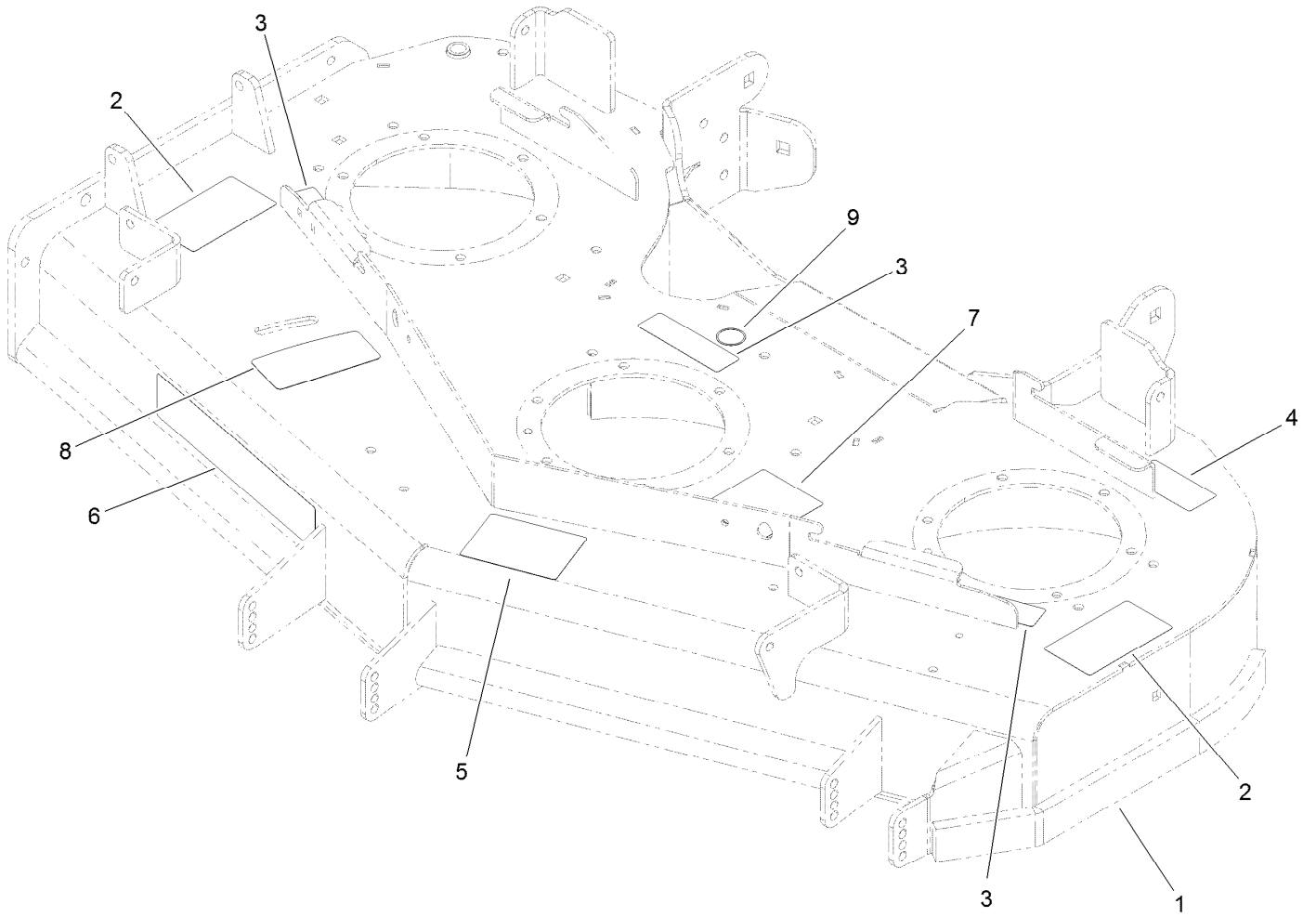


Deck Assembly (continued)

<i>Ref.</i>	<i>Part Number</i>	<i>Qty.</i>	<i>Description</i>	<i>Ref.</i>	<i>Part Number</i>	<i>Qty.</i>	<i>Description</i>
1	140-1167	1	Deck Decal ASM	35	136-5405	1	Pulley-Idler, Flat
2	115-7407	1	Belt-V	36	117-7813	1	RH Belt Cover ASM
3	104-8301	37	Nut-HF, NI	36:2	117-3824	1	Plug-Plastic
4	138-6065	3	Sheave,Blade Drive 5.91	37	136-5404	1	Pulley-Idler, Flat
5	117-7814	1	LH Belt Cover ASM	38	109-6658	2	Nut-Flange, NI
5:2	117-3824	1	Plug-Plastic	39	92-1624	2	Screw-HWH Thd Form
2	117-3824	1	Plug-Plastic	40	94-2413	2	Nut-U
6		1	Idler Arm ASM ●	41	117-2749	4	Nut-Push
7	137-9780	3	Spindle ASM	42	73-0041	2	Washer-Thrust
8	114-5881-01	2	Bracket-Cover, Belt	43	3234-29	2	Screw-HHF
9	121-7975-01	1	Plate-Skid	44	131-3987	2	Rod-Support, Upper
10	3231-27	13	Screw-CARR	45	131-4191	1	Rod-Support, Lower (RH)
11	3290-357	3	Nut-HSF	46	131-4192	1	Rod-Support, Lower (LH)
12	108-5387	3	Screw-CARR	47	131-7652	2	Guard-Side
13	323-23	1	Screw-HH	48	131-4194-03	2	Bracket-Mounting, Upper
14	140-1243	3	Blade-16.50 High Flow	49	131-3979-03	1	Shield-Front
15	137-9787	3	Bushing-Hex	50	131-4195-03	1	Bracket-Mounting, Front
16	109-9220	3	Screw-Sems	51	131-4196-03	1	Bracket-Mounting, Rear (LH)
17	114-5862-01	1	Baffle	52	32144-70	4	Screw-HWHTF
18	138-6052-01	1	Plate-Baffle, Formed	53	32144-10	2	Screw-HWH
19	98-7912	1	Tube-Spanner	54	3230-23	2	Bolt-CARR
20	1-603299	3	Roller-Scalp, Anti	55	104-8300	3	Nut-HF, NI
21	98-7913	1	Tube-Spacer	56	132-0920-03	1	Bracket-Mounting, Rear (RH)
22	3231-40	2	Bolt-CARR	57	126-4781-03	1	Step-Deck
23	108-5388	1	Screw-HH	58	3230-3	1	Screw-CARR
24	98-5967	1	Spacer-Wheel	59	138-6045	3	Shaft-Spindle
25	107-8541-01	1	Baffle-Discharge	60	137-9784	3	Guard-Bottom
26	322-50	1	Screw-HH	61	103-1330	3	Guard-Bearing, Top
27	108-2792	1	Rubber Deflector ASM	62	103-2802	3	Washer
28	108-4052	1	Spring-Torsion	63	116-7306	3	Nut-Hex
29	105-4622	1	Spacer	64	3231-25	1	Bolt-CARR
30	3296-47	1	Nut-Lock,NI	65	100-4852	1	Washer-Hardened
31	109-1092	1	Knob	66	94-7582	1	Bolt-Shoulder
32	114-5867	1	Anchor-Spring, Tall				
33	116-6317	1	Spring-Extension				
34	109-2872	2	Spacer-Pulley				

● Not serviced separately

Deck Decal Assembly No. 140-1167

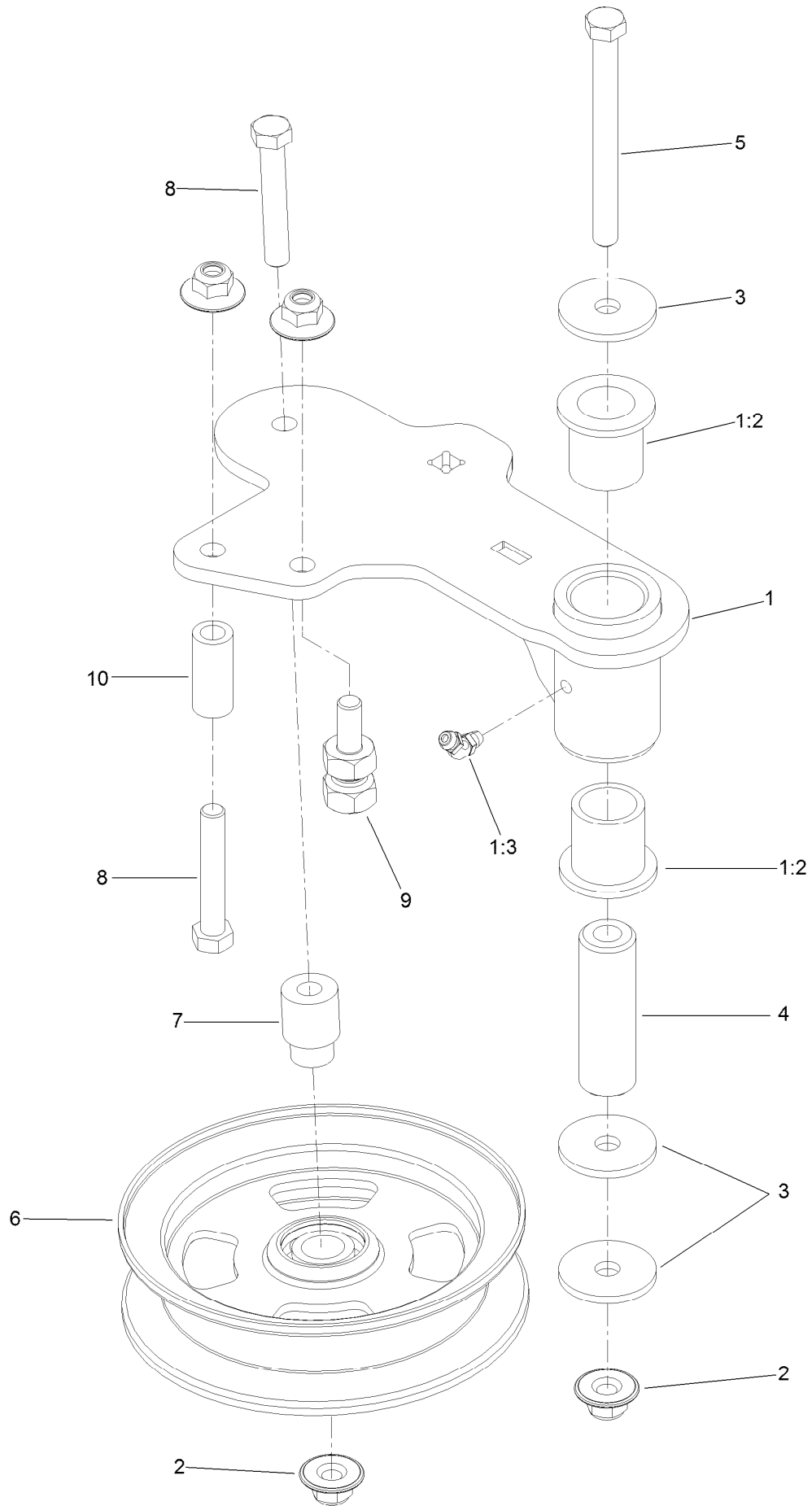


Deck Decal Assembly No. 140-1167 (continued)

<i>Ref.</i>	<i>Part Number</i>	<i>Qty.</i>	<i>Description</i>	<i>Ref.</i>	<i>Part Number</i>	<i>Qty.</i>	<i>Description</i>
1		1	Deck ASM ●	6	107-1690	1	Decal
2	117-3848	2	Decal-Danger	7	136-5508	1	Decal-Routing, Deck Belt
3	112-9028	3	Decal-Cover, Missing	8	131-1180	1	Decal-Adjustment, Baffle
4	116-8283	1	Decal-Torque, Bolt	9	58-6520	1	Decal-Grease
5	127-0326	1	Decal-Scalp, Anti				

● Not serviced separately

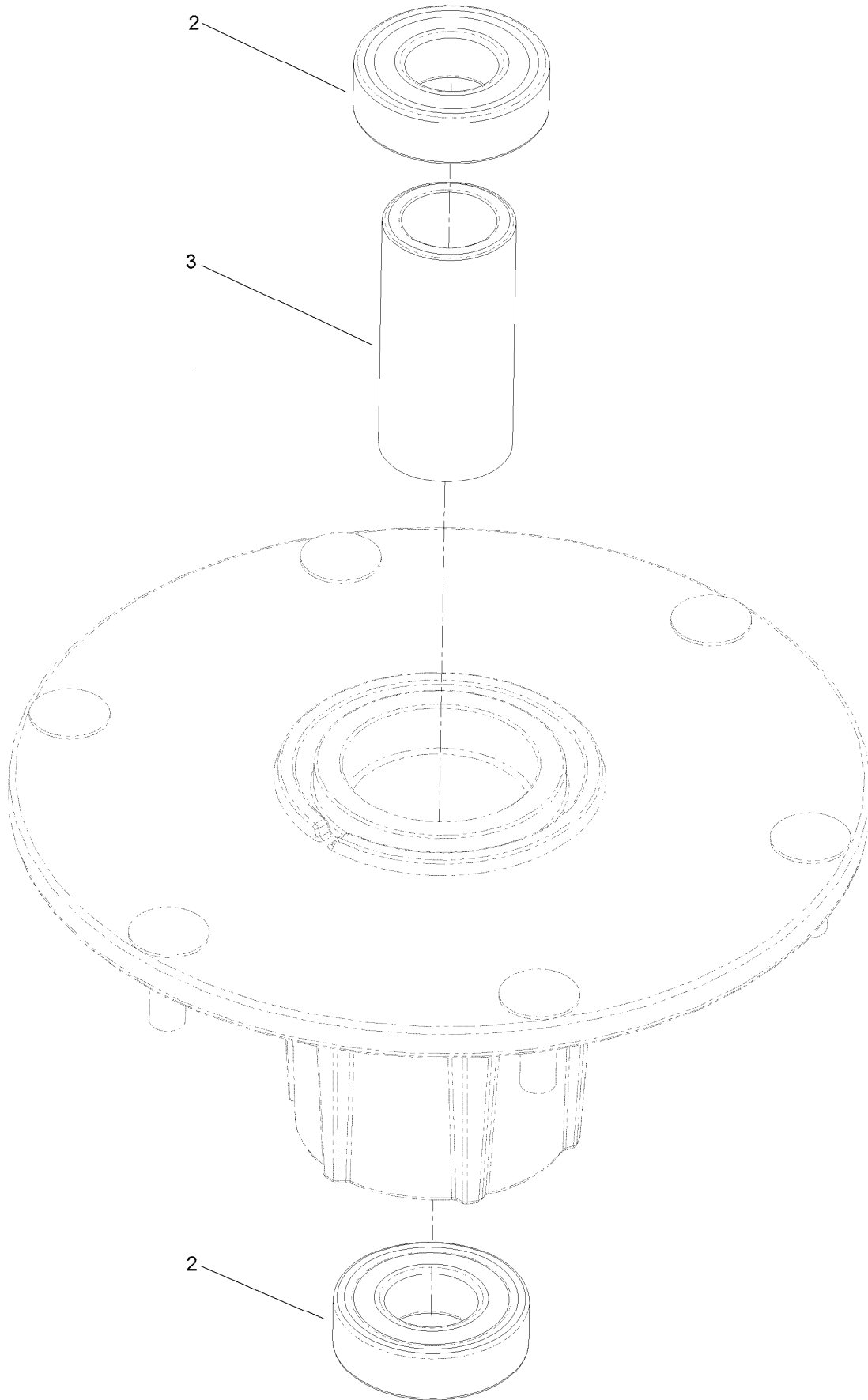
Idler Arm Assembly



Idler Arm Assembly (continued)

<i>Ref.</i>	<i>Part Number</i>	<i>Qty.</i>	<i>Description</i>	<i>Ref.</i>	<i>Part Number</i>	<i>Qty.</i>	<i>Description</i>
1	114-5870	1	Idler Arm ASM	5	98-5961	1	Screw-HH
1:2	1-303514	2	Bearing-Flanged	6	132-9425	1	Pulley-Idler, Flat
1:3	1481	1	Fitting-Grease	7	112-4212	1	Mount-Pulley
2	109-6658	4	Nut-Flange, NI	8	323-11	2	Screw-HH
3	1-213069	3	Washer	9	132-4729	1	Anchor-Spring, Short
4	114-5848	1	Spacer-Plain	10	104-0151	1	Spacer

Spindle Assembly No. 137-9780



Spindle Assembly No. 137-9780 (continued)

<i>Ref.</i>	<i>Part Number</i>	<i>Qty.</i>	<i>Description</i>
2	116-0720	2	Bearing-Ball
3	138-6042	1	Spacer-Bearing

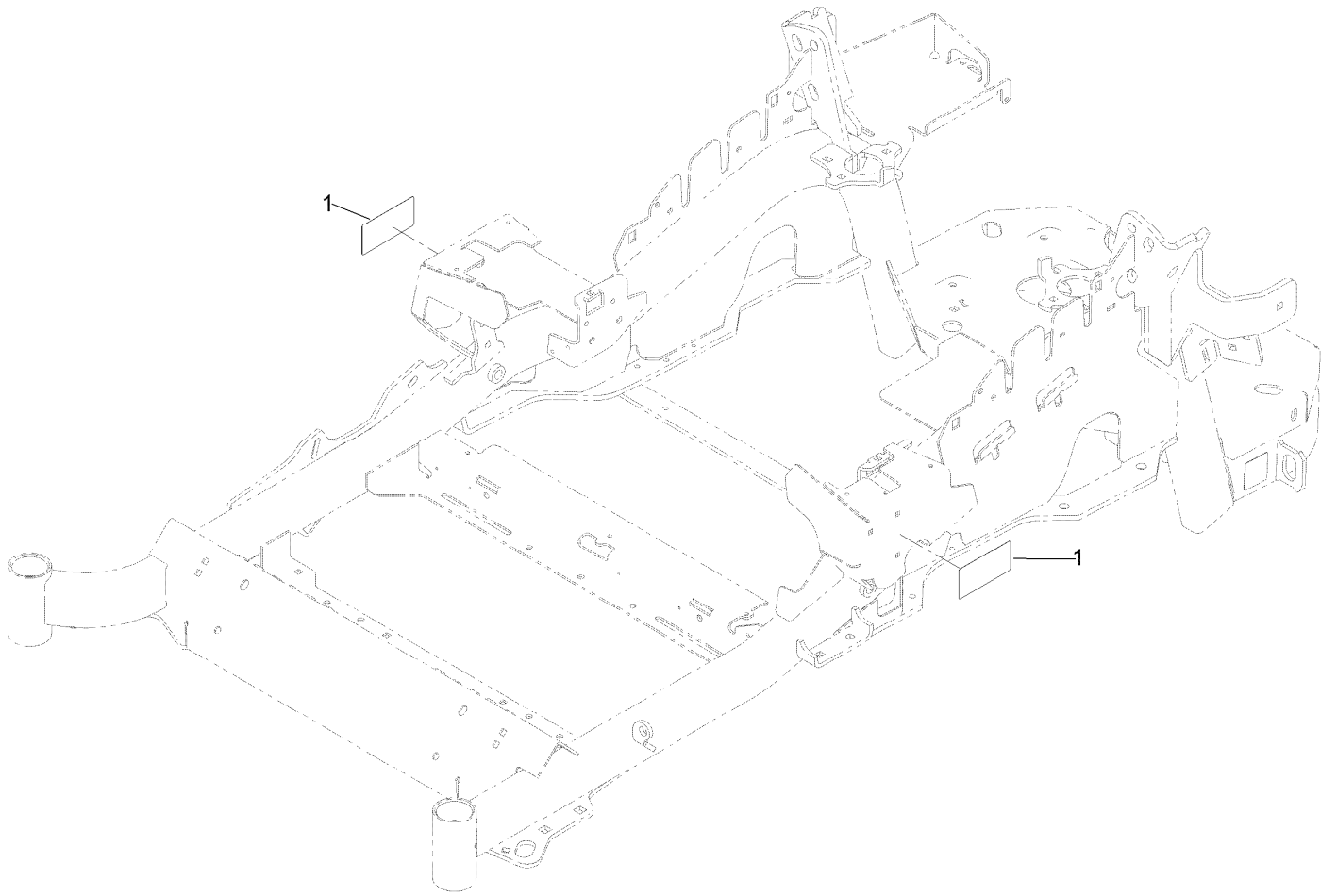
Rubber Deflector Assembly No. 108-2792



Rubber Deflector Assembly No. 108-2792 (continued)

<i>Ref.</i>	<i>Part Number</i>	<i>Qty.</i>	<i>Description</i>	<i>Ref.</i>	<i>Part Number</i>	<i>Qty.</i>	<i>Description</i>
1	3231-4	4	Screw-CARR	5	108-4059-01	1	Plate-Hinge, Rear
2	106-3246-01	1	Deflector	6	106-3253-01	1	Plate-Hinge, Front
3	106-3248-03	1	Strap-Discharge	7	104-8301	4	Nut-HF, NI
4	108-5029	1	Deflector-Rubber				

Frame Decal Assembly



Frame Decal Assembly (continued)

<i>Ref.</i>	<i>Part Number</i>	<i>Qty.</i>	<i>Description</i>
1	120-5895	2	Decal

Attachments and Accessories

For 72902TE Z Master Professional 6000 Series Riding Mower with 122cm TURBO FORCE Side Discharge Mower

Product Name	Model/Part
Anti-Scalp Kit (Trim Side).....	108-4140
Hitch Kit	109-9487
Hypr-Oil 500 (quart).....	114-4713
Hypr-Oil 500 (gallon).....	114-4714
Hypr-Oil 500-5 (5 gallon).....	114-4715
Bimini Folding Shade Assembly	115-4510
Roller Striper Kit.....	115-7470
Light Kit.....	116-1154
Seat Cover (W/arm rest).....	117-0095
Operator Controlled Discharge Chute Kit.....	117-3600
Z Stand Kit.....	121-4811
CE Bagger Compliance Kit	127-0336
Jack Mount Kit	127-6665
Jack Kit	127-6666
Worklight Kit	135-7320
Bucket Mount Kit.....	137-9216
Trimmer Mount	137-9769
Recycler Kit	139-6650
Blade-16.50 High Flow	140-1243
Blade-16.50 Medium Flow	140-4860
Blade-16.50 Low Flow	140-4861
Blade-16.50 Atomic	140-4862
Blade-16.50 Recycler	140-4863
6 Pack-Blade, 16.5 High Flow.....	140-4887
6 Pack-Blade, 16.5 Med Flow	140-4888
6 Pack-Blade, 16.5 Low Flow	140-4889
6 Pack-Blade, 16.5 Atomic.....	140-4890
6 Pack-Blade, 16.5 Recycler.....	140-4891
Weight Kit, Under Toe Board.....	140-4958
Toro Rider Over Seat Bag.....	490-7317
Toro Deluxe Rider Cover.....	490-7319
Toro Rider Arm Rest Bag	490-7320
Spark Arrestor Screen	75-6880
Blower and Drive Kit	78551
E-Z Vac Twin Bagging System.....	78562
E-Z Vac DFS Collection System	78566
Filter Minder Gauge	99-4664
Trash Holder Kit.....	TC26

Notes:

Notes:

Notes:



Count on it.