



Count on it.

Parts Catalog

**Z Master® Professional 5000
Series Riding Mower**

**with 52in TURBO FORCE® Side Discharge
Mower**

Model No. 72955—Serial No. 40000000 and Up



Ordering Replacement Parts

To order replacement parts, please supply the part number, the quantity, and the description of each part desired.

Understanding Reference Numbers

Each identified part in an illustration has a reference number. The reference number for a part also appears in the parts list, along with other information about the part.

This catalog uses two special reference number formats, one to indicate parts in a service assembly and another to indicate the quantity of a given part in an illustration.

Service Assembly Reference Numbers

Parts in service assemblies have reference numbers in the form a:b. The a represents the reference number of the entire service assembly and the b represents a sequential number unique to each part within the service assembly.

For example, a wheel assembly might be identified by reference number 6, the tire by 6:1, the valve by 6:2, and the wheel by 6:3. When you order the assembly identified by reference number 6, you receive all parts identified by reference numbers 6:1, 6:2, and 6:3. However, you may also order any part individually. Reference numbers of this type appear in illustration and in parts lists.

Reference Numbers Indicating Quantity

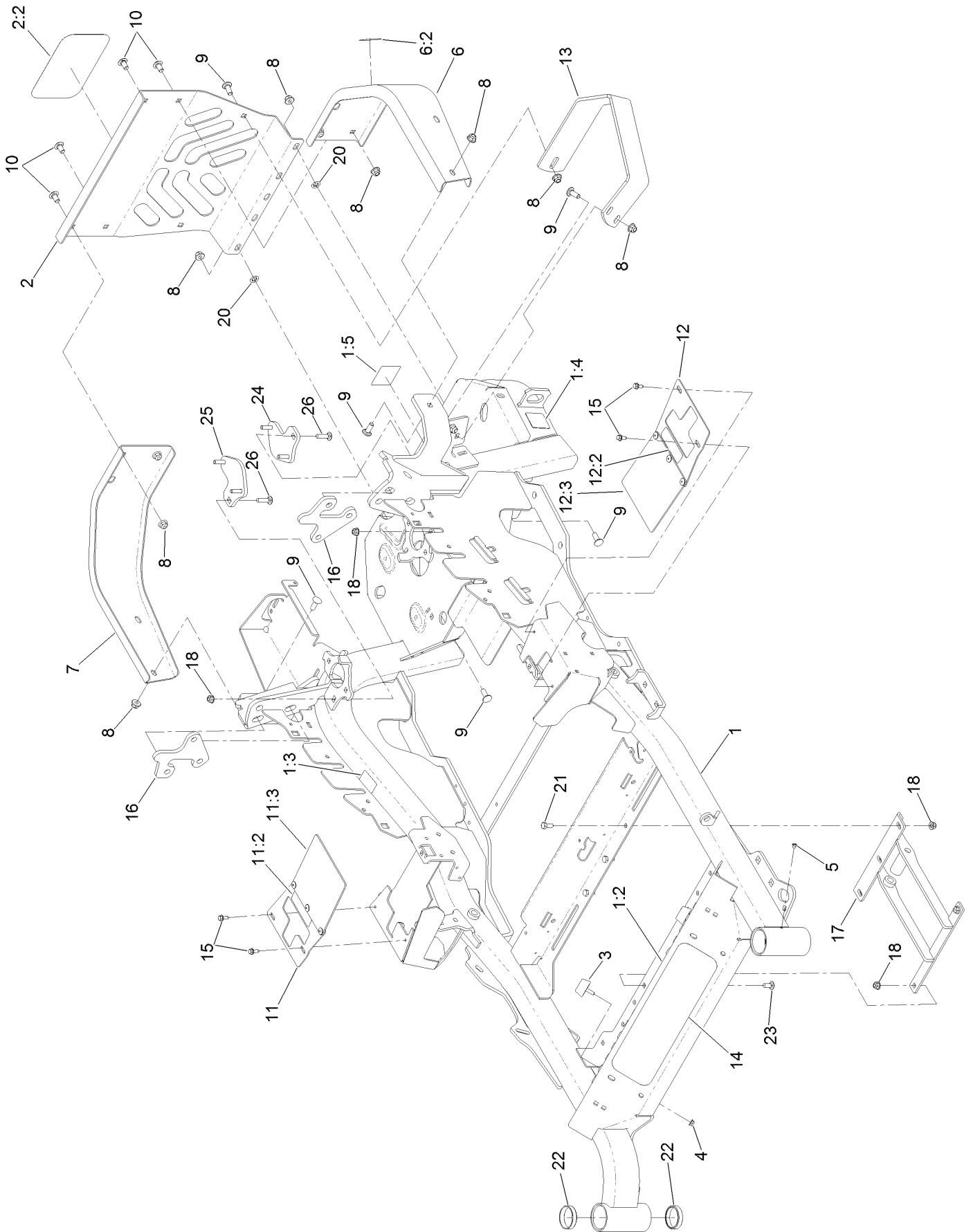
In an illustration, if a reference number indicates more than one part, the reference number has the form nX y. The n represents the quantity of the part, the X is the multiplication symbol, and the y represents the reference number.

For example, in an illustration, the reference number 2X 37 means that two of the parts identified by reference number 37 are indicated.

Contents

Frame Assembly	4
Subframe Assembly	6
Roll-Over Protection System Assembly No. 116-0231	8
Caster Fork and Wheel Assembly	10
Hydraulic Drive Assembly	12
Pump Idler Assembly No. 116-1255	14
LH Hydro Assembly No. 135-7899	16
RH Hydro Assembly No. 135-7900	18
Rear Wheel Assembly	20
Park Brake Assembly	22
Fuel System Assembly	24
Fuel Tank Assembly No. 135-0643	26
Seat Mounting Assembly	28
Seat Assembly No. 139-3641	30
Motion Control Assembly	32
Console and Control Panel Assembly	34
Electrical Assembly	36
Wire Harness Assembly No. 135-5753	38
Deck Lift Assembly	40
Height-of-Cut Assembly No. 109-7438	42
Engine, Clutch and Muffler Assembly	44
Deck Assembly	46
Deck Decal Assembly No. 140-1168	48
Spindle Assembly No. 137-9780	50
Rubber Deflector Assembly No. 108-2792	52
Idler Arm Assembly	54
Frame Decal Assembly	56
Attachments and Accessories	58

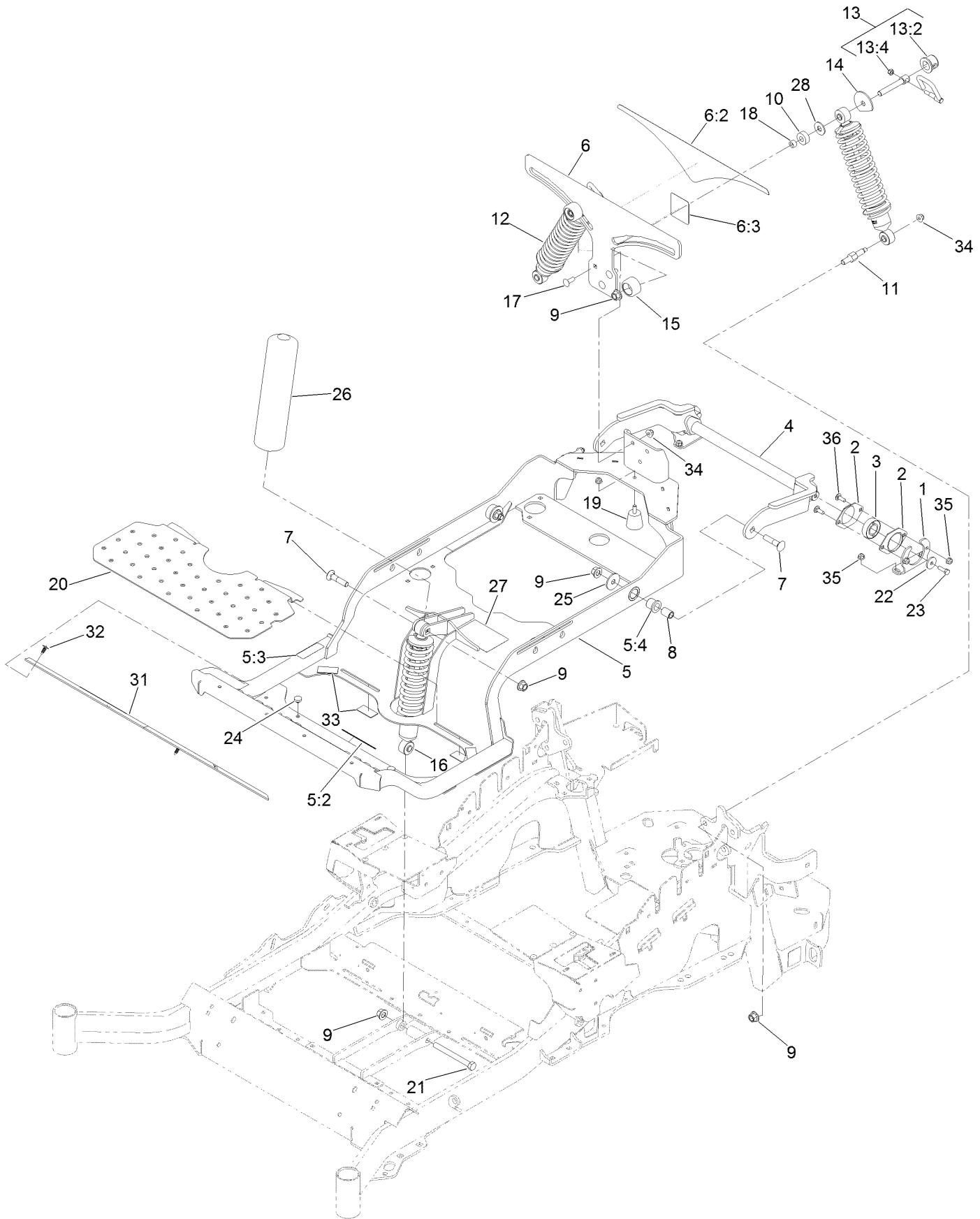
Frame Assembly



Frame Assembly (continued)

<i>Ref.</i>	<i>Part Number</i>	<i>Qty.</i>	<i>Description</i>	<i>Ref.</i>	<i>Part Number</i>	<i>Qty.</i>	<i>Description</i>
1	116-5900	1	Mainframe ASM	11:2	99-8936	1	Decal-Control, Motion
1:2	132-0871	1	Decal-Danger	11:3	136-8967	1	Flap-Rubber
1:3	106-5517	2	Decal-Warning	12	131-4610	1	LH Motion Control Cover ASM
1:4	106-2655	2	Decal-Hazard, Pinched Finger	12:2	99-8936	1	Decal-Control, Motion
1:5	133-8062	1	Decal-Arrestor, Spark	12:3	136-8967	1	Flap-Rubber
2	115-7410	1	Rear Guard ASM	13	126-2067-03	1	Guard-Muffler
2:2	67-7320	1	Decal	14	140-1215	1	Decal-Console
3	131-8834	2	Bumper	15	32144-10	4	Screw-HWH
4	104-7201	2	Nut-HF, NI	16	136-1674-01	2	Plate-Mount, Shock
5	1-811010	2	Plug	17	131-6327-01	1	Mount-Lower
6	116-0180	1	LH Bumper ASM	18	104-8300	7	Nut-HF, NI
6:2	106-5517	1	Decal-Warning	20	107-3154	2	Nut-Push
7	116-0057-03	1	Bumper-RH	21	322-3	3	Screw-HH
8	104-8301	11	Nut-HF, NI	22	1-543508	4	Cup-Bearing
9	3231-22	7	Screw-CARR	23	3230-23	2	Bolt-CARR
10	3231-21	4	Screw-CARR	24	127-6766	1	LH Plate ASM (W/Studs)
11	131-4615	1	RH Motion Control Cover ASM	25	127-6765	1	RH Plate ASM (W/Studs)
				26	3230-3	2	Screw-CARR

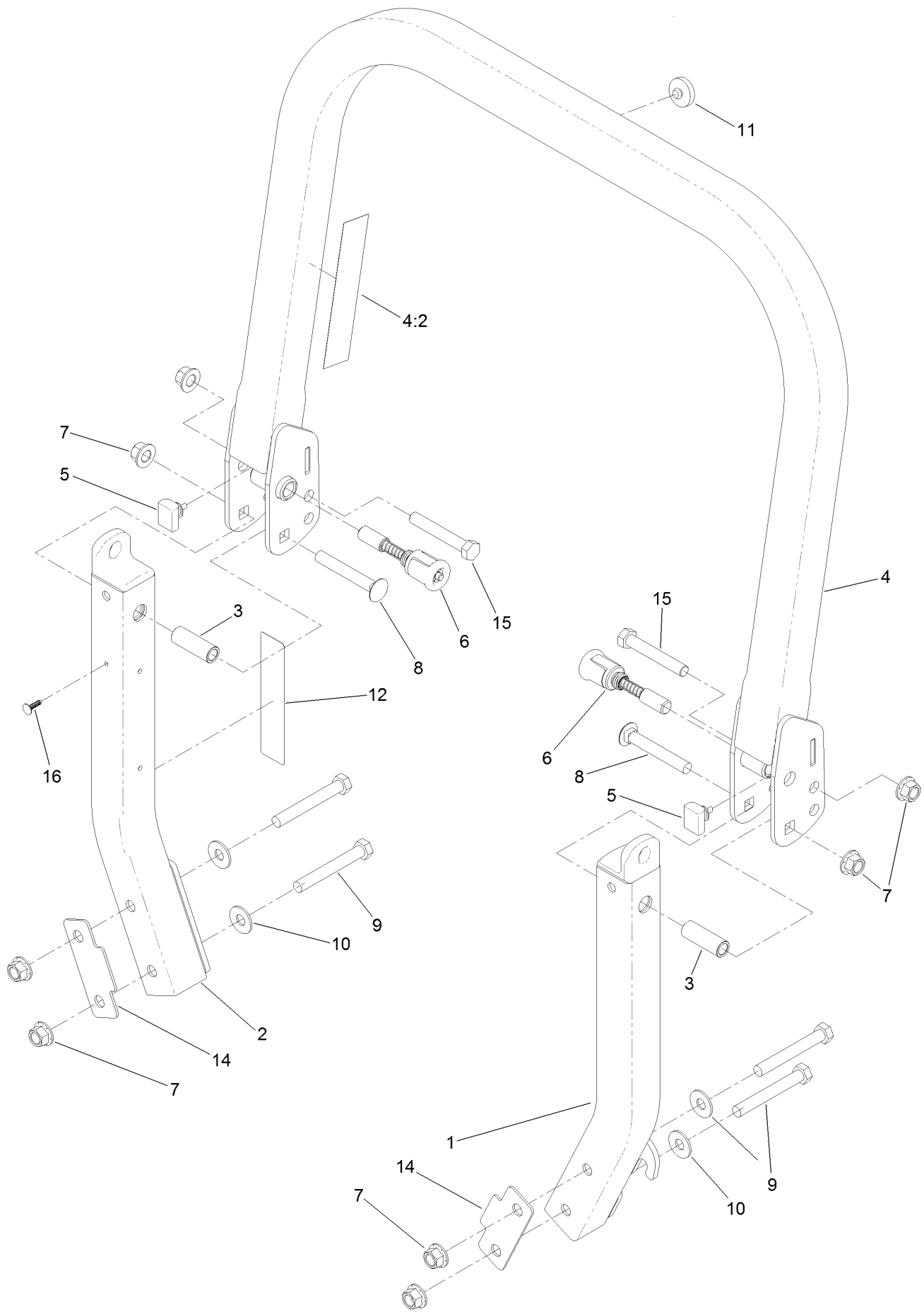
Subframe Assembly



Subframe Assembly (continued)

<i>Ref.</i>	<i>Part Number</i>	<i>Qty.</i>	<i>Description</i>	<i>Ref.</i>	<i>Part Number</i>	<i>Qty.</i>	<i>Description</i>
1	127-6759-03	2	Bracket-Bearing	15	131-4647	2	Knob-Front
2	127-6743	4	Housing-Bearing, Flange	16	136-1719	1	Shock ASM-Front
3	1-653346	2	Bearing	16	136-8993	1	Shock/Spring ASM
4	127-6754-03	1	Arm-Trailing	17	3231-22	3	Screw-CARR
5	132-5057	1	Subframe ASM	18	47-7270	2	Bearing-Needle
5:2	132-0871	1	Decal-Danger	19	132-5058	1	Bumper-Rubber
5:3	115-9625	1	Decal-Brake, Parking	20	132-5089-01	1	Floorpan
5:4	127-6745	2	Bushing-Flange	21	325-19	1	Screw-HH
6	133-1808	1	Bracket-Mounting	22	105-3048	2	Washer-Flat
6:2	132-5067	1	Decal-Adjustment, Ride	23	116-0648	2	Screw-HH, Thread Locking
6:3	132-5063	1	Decal-Lock, Cam	24	1-513658	2	Bumper
7	127-6768	3	Screw-CARR	25	86-1990	2	Washer-Thrust
8	127-6751	2	Spacer-Aluminum	26	132-5068	1	Cover-Shock
9	99-5107	8	Nut-Lock	27	125-9383	1	Decal-Service Aid
10	131-8801	2	Spacer	28	3256-6	2	Washer-Flat
11	131-6348	2	Bolt-Shoulder	31	133-1810	1	Mat-Floor
12	133-1815	2	Shock/Spring ASM	32	117-2382	2	Plug-Plastic
13	131-8843	2	Cam Lock ASM	33	130-0733	4	Pad-Rubber
13:2	107-1644	1	Cap-Lock	34	104-8301	5	Nut-HF, NI
13:4	119-4038	1	Nut-Hex	35	104-8300	9	Nut-HF, NI
14	131-4646	2	Plate-Stop	36	3230-10	4	Bolt-CARR

Roll-Over Protection System Assembly No. 116-0231



Roll-Over Protection System Assembly No. 116-0231 (continued)

<i>Ref.</i>	<i>Part Number</i>	<i>Qty.</i>	<i>Description</i>	<i>Ref.</i>	<i>Part Number</i>	<i>Qty.</i>	<i>Description</i>
1		1	Leg-ROPS, LH ●	8	3233-10	2	Screw-CARR
2		1	Leg-ROPS, RH ●	9	325-35	4	Screw-HH
3	109-6653	2	Spacer	10	109-9505	4	Washer-Spring
4		1	Upper ROPS ASM ●	11	109-9233	1	Bumper-Push-In, Rubber
4:2	107-3069	1	Decal-Warning	12	117-0346	1	Decal-Caution, Fuel Vent
5	109-5337	2	Bumper-ROPS	14	116-0960	2	Spacer
6	116-0104	2	Pin-Spring	15	325-13	2	Screw-HH
7	99-5107	8	Nut-Lock	16	125-8067	1	Plug-Plastic

● Not serviced separately

Caster Fork and Wheel Assembly



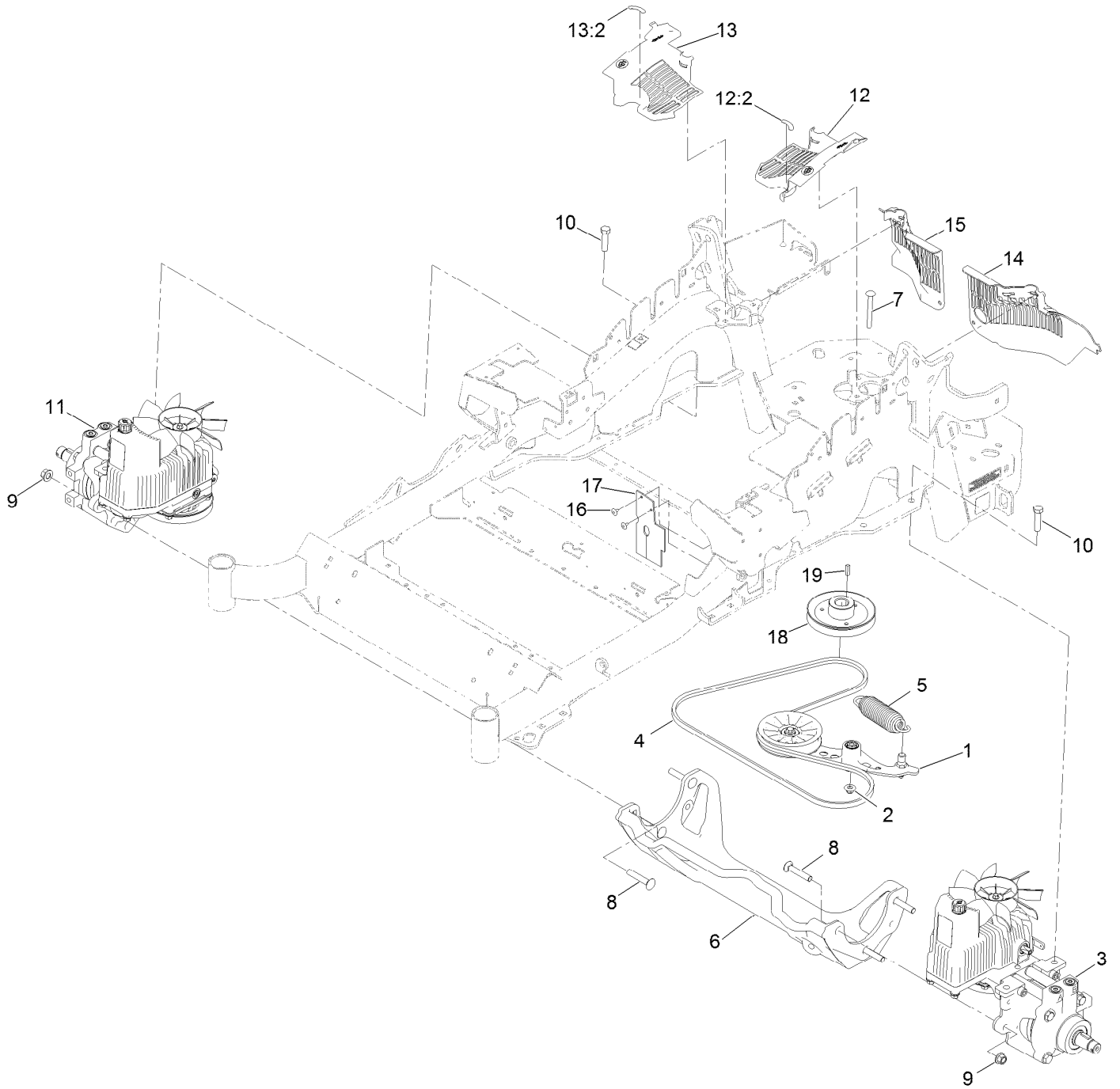
Caster Fork and Wheel Assembly (continued)

<i>Ref.</i>	<i>Part Number</i>	<i>Qty.</i>	<i>Description</i>	<i>Ref.</i>	<i>Part Number</i>	<i>Qty.</i>	<i>Description</i>
1	1-543509	2	Bearing-Roller, Tapered	5:2:3	103-3051	1	Spacer-Nut ■
2	116-5647	1	Seal-Grease	5:2:4	126-5361	1	Axle Caster ASM
3	1-633508	3	Washer-Bellville	5:2:5		1	Wheel And Tire ASM ●
4	116-6707-01	1	Caster	5:2:5:1	1-633584	2	Bearing-Cup
5	127-9528	1	Wheel And Axle ASM	5:3	325-39	1	Screw-HH
5:1	103-2768	2	Guard-Seal	5:4	3296-23	1	Nut-Lock, NI
5:2		1	Wheel And Bearing ASM ●	6	103-4882	1	Cap-Grease
5:2:1	1-633585	2	Bearing-Cone, Taper	7	3296-51	1	Nut-Lock, NI
5:2:2	103-0063	2	Seal-Caster				

● Not serviced separately

■ Use Pro-Lock, Nut Type (P/N 1-840022, .5ml tube) on threads.

Hydraulic Drive Assembly

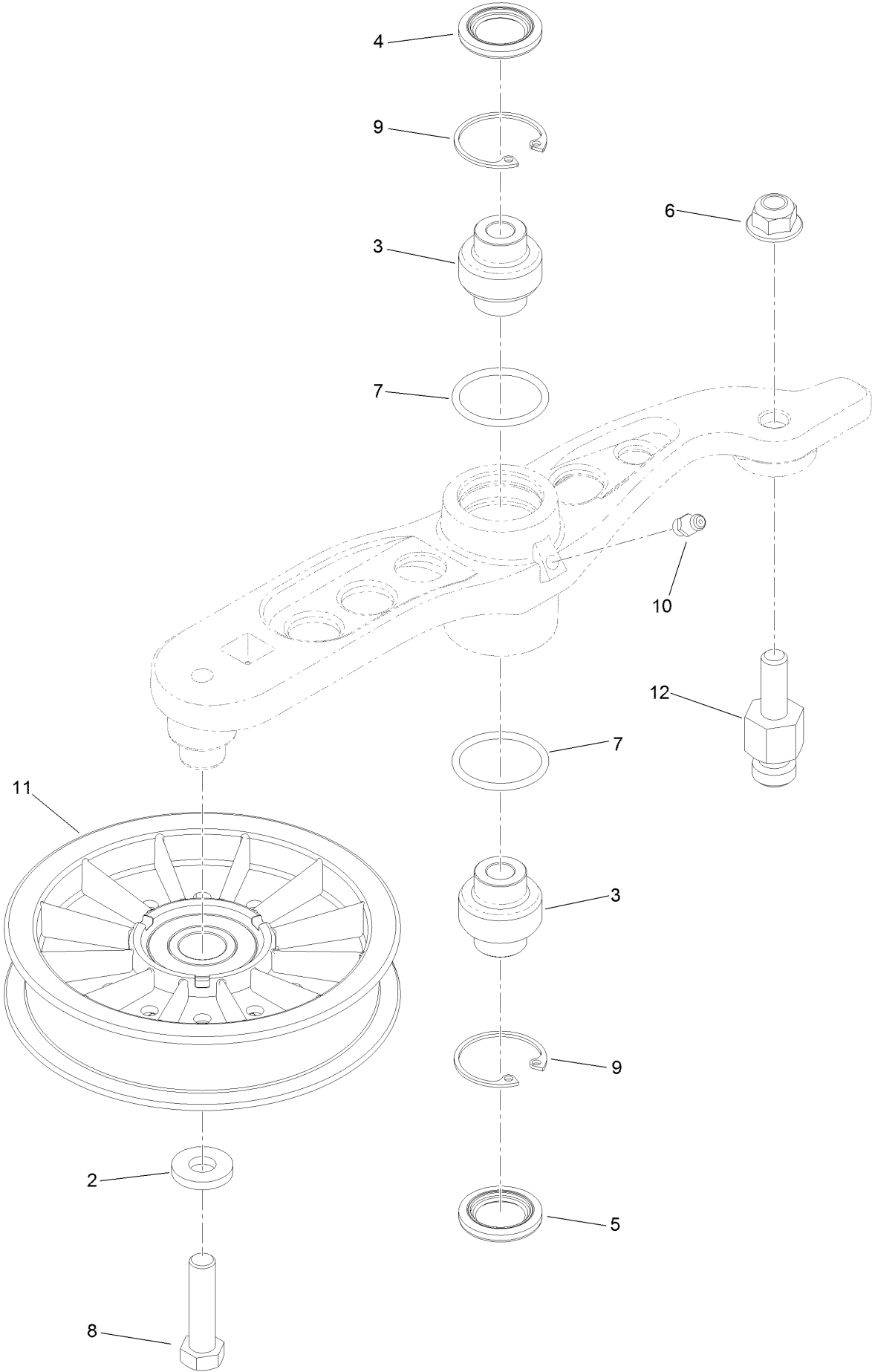


Hydraulic Drive Assembly (continued)

<i>Ref.</i>	<i>Part Number</i>	<i>Qty.</i>	<i>Description</i>	<i>Ref.</i>	<i>Part Number</i>	<i>Qty.</i>	<i>Description</i>
1	116-1255	1	Pump Idler ASM	13	116-0171	1	RH Hydro Guard ASM
2	109-6658	1	Nut-Flange, NI	13:2	116-8726	1	Decal-Oil, Hydro
3	135-7899	1	Hydro-LH	14	109-9057	1	Guard-Hydro, Rear (LH)
4	126-9835	1	Belt-V	15	109-9058	1	Guard-Hydro, Rear (RH)
5	116-6317	1	Spring-Extension	16	1-803035	2	Rivet-Pop
6	116-7558	1	Cradle-Hydro	17	116-2362	1	Deflector-Air Flow
7	116-1502	1	Bolt-Shoulder, Carriage	18	109-9905	1	Sheave
8	126-0095	6	Screw-CARR	19	1-807259	1	Key
9	99-5107	6	Nut-Lock	99	114-4713	1	Hypr-Oil 500 (Quart) ●
10	325-8	4	Screw-HH	99	114-4714	1	Hypr-Oil 500 (Gallon) ●
11	135-7900	1	Hydro-RH	99	114-4715	1	Hypr-Oil 500-5 (5 Gallon) ●
12	116-0170	1	LH Hydro Guard ASM	99	117-0390	1	Filter-Hydro ●
12:2	116-8726	1	Decal-Oil, Hydro				

● Not illustrated

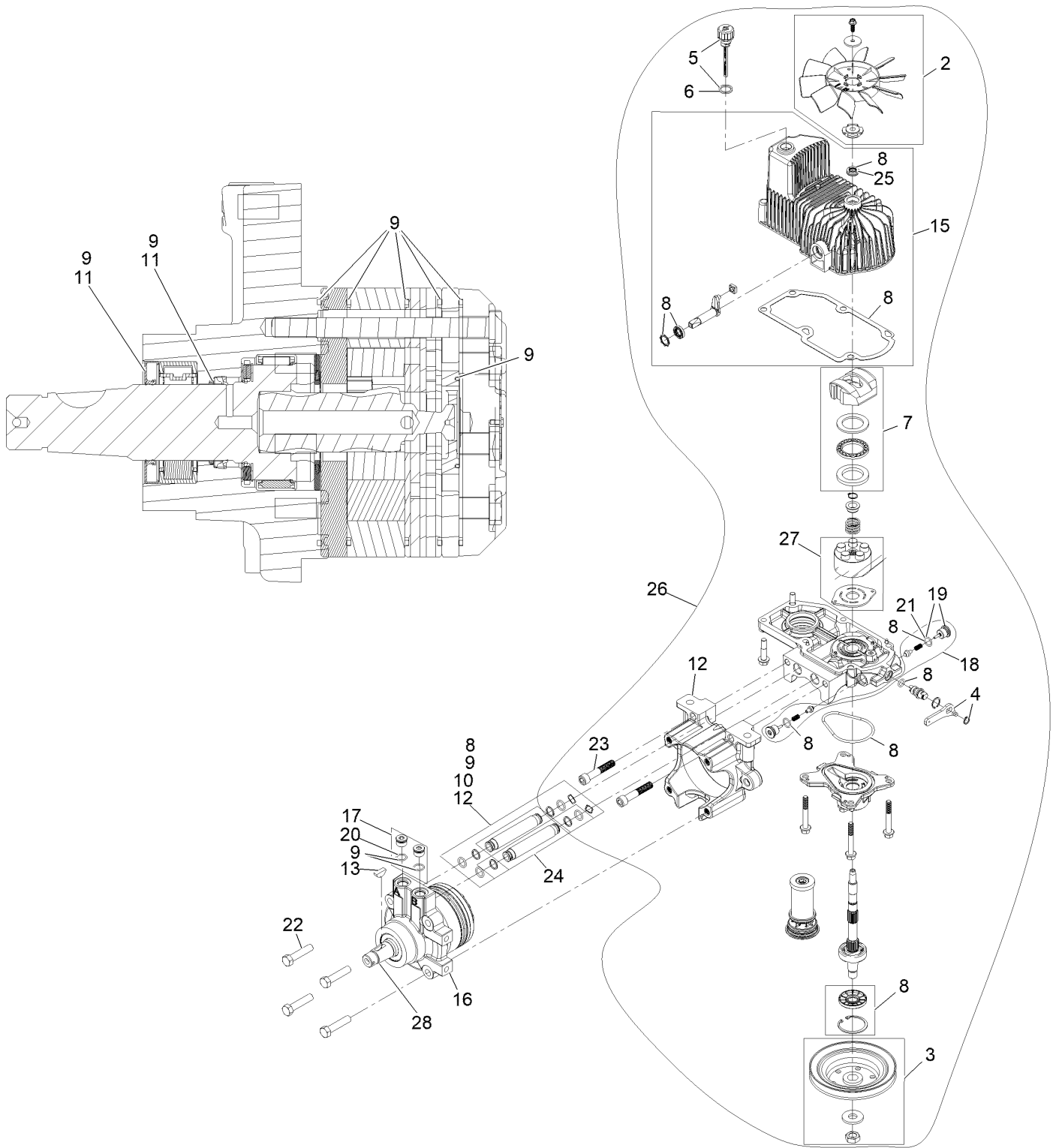
Pump Idler Assembly No. 116-1255



Pump Idler Assembly No. 116-1255 (continued)

<i>Ref.</i>	<i>Part Number</i>	<i>Qty.</i>	<i>Description</i>	<i>Ref.</i>	<i>Part Number</i>	<i>Qty.</i>	<i>Description</i>
2	43-0940	1	Spacer	8	323-8	1	Screw-HH
3	103-3504	2	Bearing-Spherical	9	32120-10	2	Ring-Snap
4	103-3505	1	Seal-Lip, Double	10	302-19	1	Fitting-Grease
5	103-3506	1	Seal-Lip, Single	11	109-8076	1	Pulley-Idler
6	109-6658	1	Nut-Flange, NI	12	132-4724	1	Pin-Anchor, Spring
7	106-7159	2	O-Ring				

LH Hydro Assembly No. 135-7899

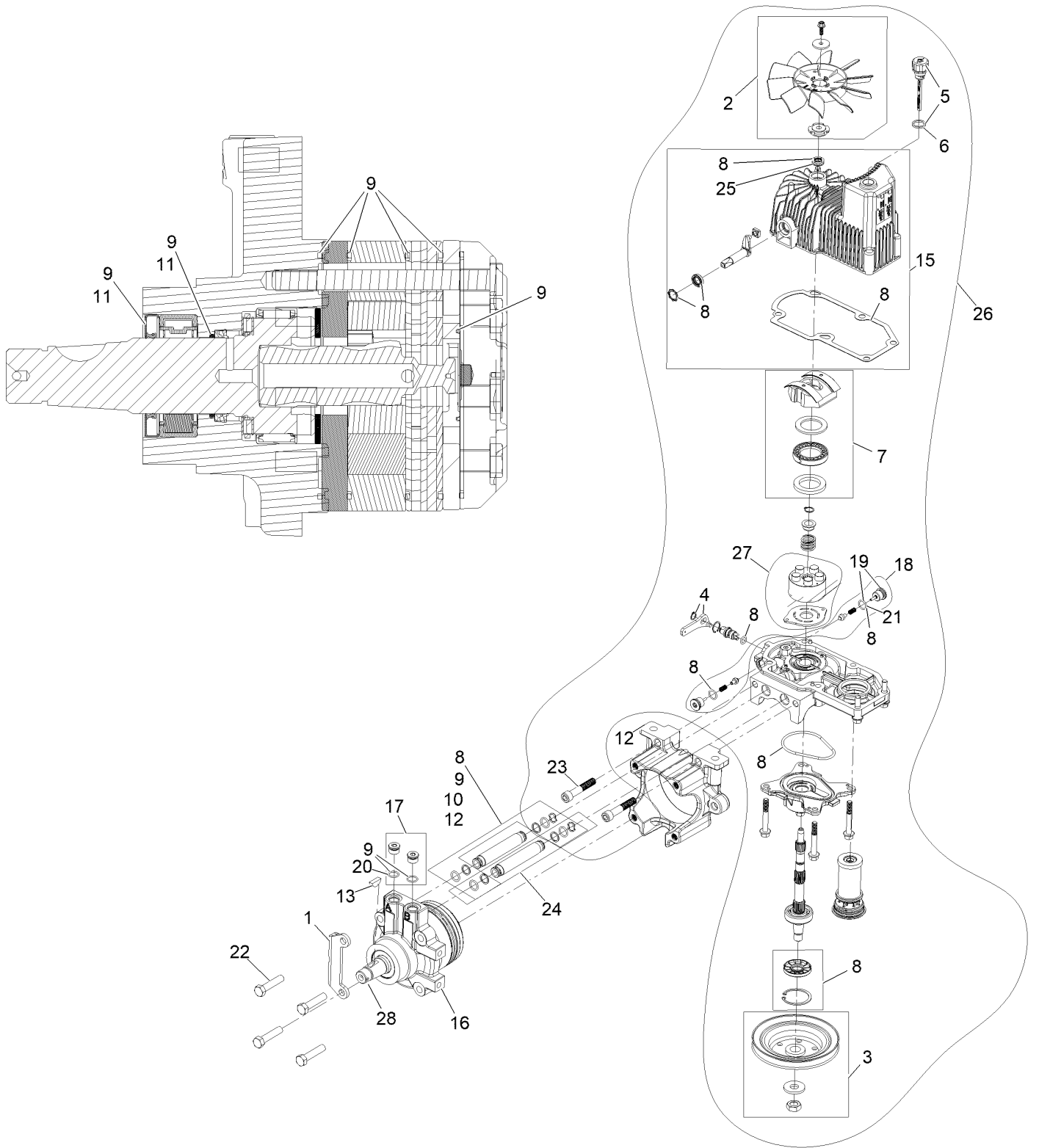


LH Hydro Assembly No. 135-7899 (continued)

<i>Ref.</i>	<i>Part Number</i>	<i>Qty.</i>	<i>Description</i>	<i>Ref.</i>	<i>Part Number</i>	<i>Qty.</i>	<i>Description</i>
2	142-3603	1	Kit, 7.8 In Fan	18	142-3605	1	ASM, Check Valve
3	116-0234	1	Pulley Kit	19	116-1631	2	Plug-Check (W/O-Ring)
4	116-0235	1	Handle	20	76-1900	2	O-Ring
5	116-0236	1	Dipstick	21	116-8662	2	O-Ring-Valve, Check
6	116-0237	1	Gasket	22	116-8974	4	Screw HH
7	116-1367	1	Swash Block Kit	23	116-8975	2	Screw-HSH
8	142-3604	1	Kit, Pump Seal	24	116-9922	2	Hydraulic Tube Kit
9	116-1369	1	Motor Seal Kit	25	126-7711	1	Seal-Drive, Fan
10	116-1370	1	Tube Seal Kit	26	142-3609	1	Kit, Pump Section 12Cc LH
11	116-1371	1	Output Shaft Seal Kit	27	142-4500	1	Kit - 12Cc Port Plate, Rotate Grp
12	116-5469	1	Cup-Nose				
13	3257-42	1	Key-Woodruff	28	146-3749	1	Output Shaft- TI Uht Motor
15	142-4460	1	Kit, Housing-Hydro LH	99	116-1373	1	Flow Test Kit ●
16	116-8915	1	Motor-Hydraulic	99	116-4245	1	Puller-Pulley ●
17	116-7901	1	Magnetic Plugs Service Kit				

● Not illustrated

RH Hydro Assembly No. 135-7900

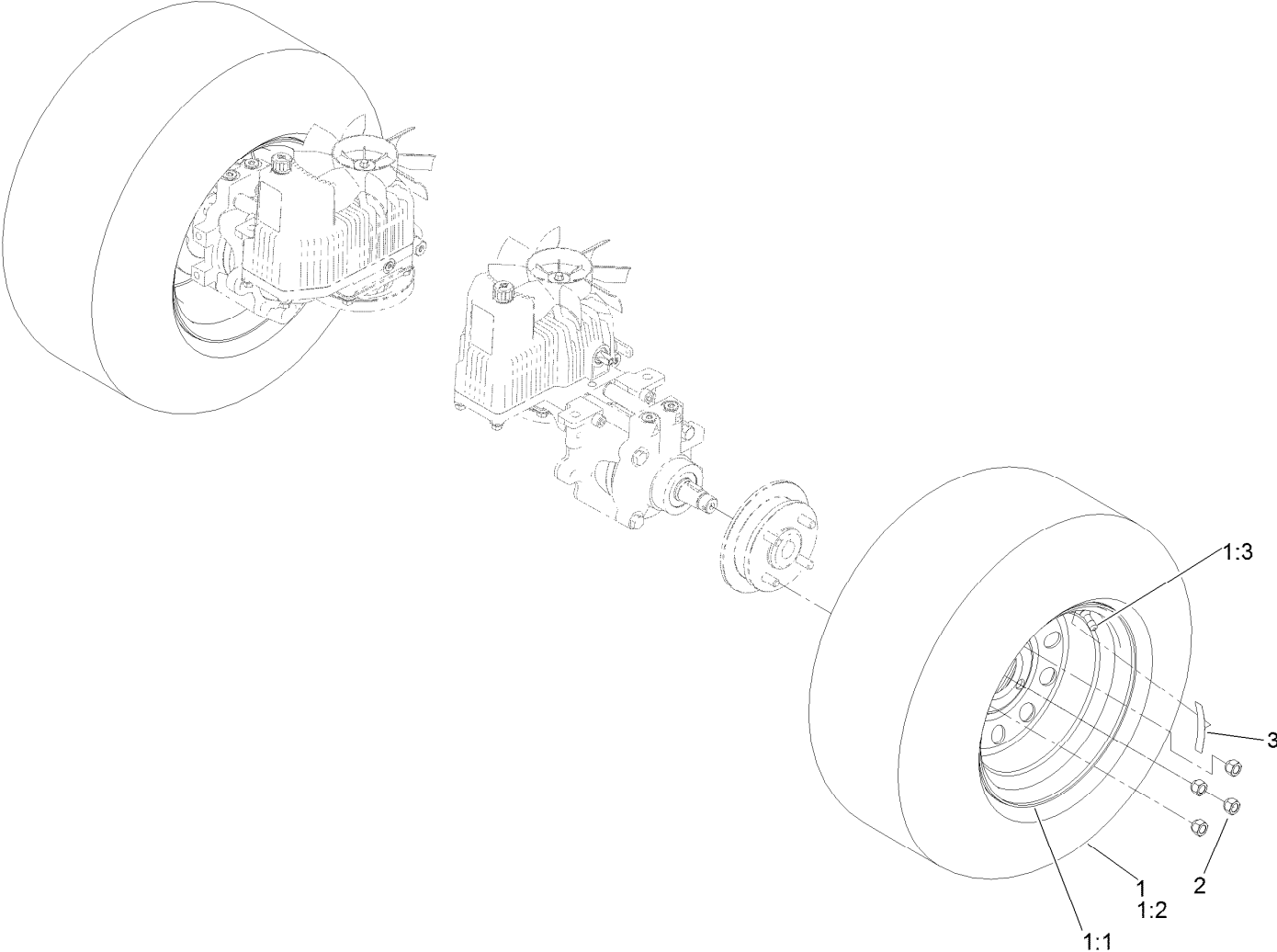


RH Hydro Assembly No. 135-7900 (continued)

<i>Ref.</i>	<i>Part Number</i>	<i>Qty.</i>	<i>Description</i>	<i>Ref.</i>	<i>Part Number</i>	<i>Qty.</i>	<i>Description</i>
1	135-7827	1	Plate, Horse Shoe Mount	17	116-7901	1	Magnetic Plugs Service Kit
2	142-3603	1	Kit, 7.8 In Fan	18	142-3605	1	ASM, Check Valve
3	116-0234	1	Pulley Kit	19	116-1631	2	Plug-Check (W/O-Ring)
4	116-0235	1	Handle	20	76-1900	2	O-Ring
5	116-0236	1	Dipstick	21	116-8662	2	O-Ring-Valve, Check
6	116-0237	1	Gasket	22	116-8974	4	Screw HH
7	116-1367	1	Swash Block Kit	23	116-8975	2	Screw-HSH
8	142-3604	1	Kit, Pump Seal	24	116-9922	2	Hydraulic Tube Kit
9	116-1369	1	Motor Seal Kit	25	126-7711	1	Seal-Drive, Fan
10	116-1370	1	Tube Seal Kit	26	142-3608	1	Kit, Pump Section 12Cc RH
11	116-1371	1	Output Shaft Seal Kit	27	142-4500	1	Kit - 12Cc Port Plate, Rotate Grp
12	116-5469	1	Cup-Nose				
13	3257-42	1	Key-Woodruff	28	146-3749	1	Output Shaft- TI Uht Motor
15	142-4461	1	Kit, Housing-Hydro RH	99	116-1373	1	Flow Test Kit ●
16	116-8916	1	Motor-Hydraulic RH 240Cc	99	116-4245	1	Puller-Pulley ●

● Not illustrated

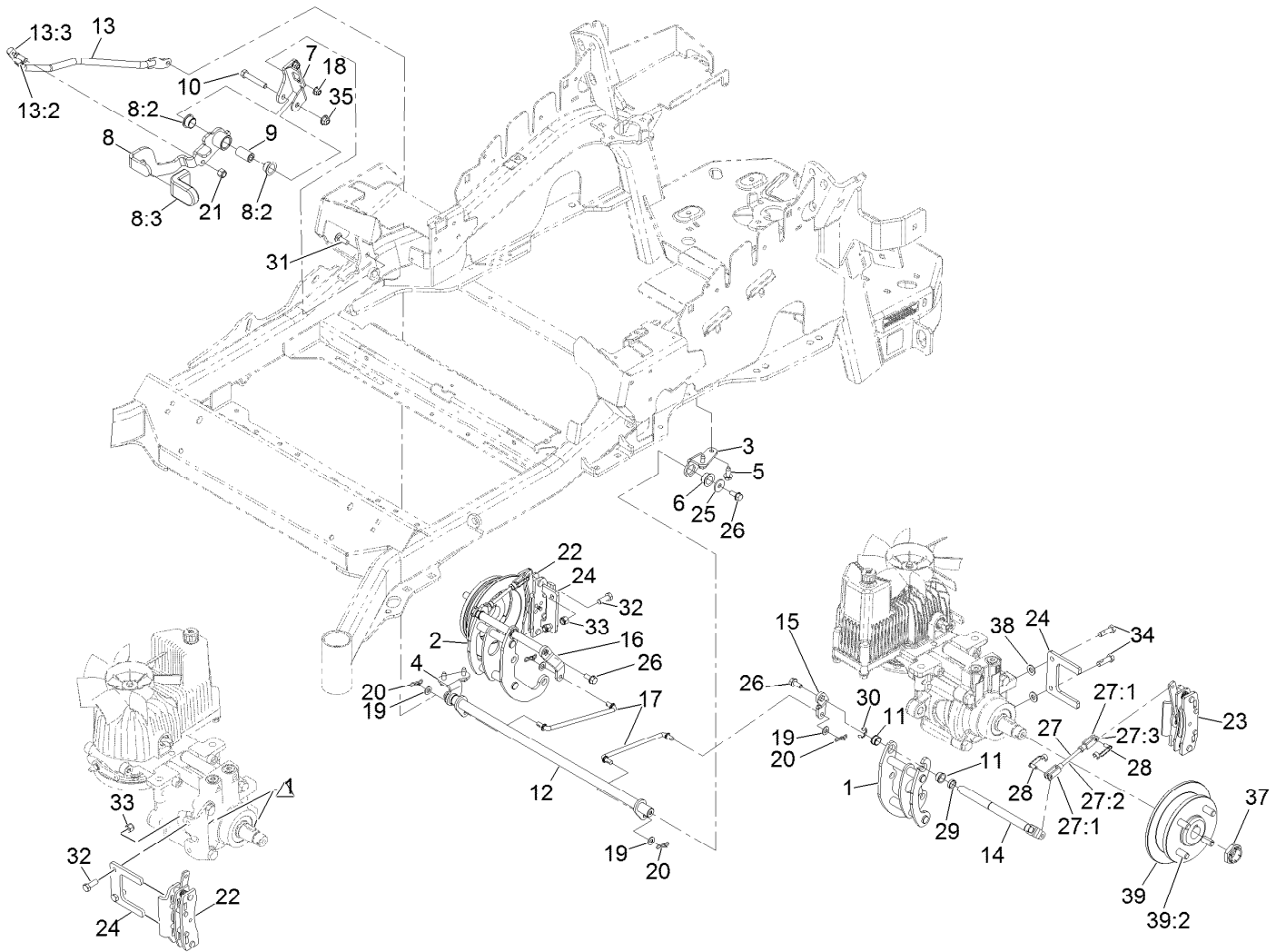
Rear Wheel Assembly



Rear Wheel Assembly (continued)

<i>Ref.</i>	<i>Part Number</i>	<i>Qty.</i>	<i>Description</i>	<i>Ref.</i>	<i>Part Number</i>	<i>Qty.</i>	<i>Description</i>
1	127-9514	2	Wheel And Tire ASM	2	242-50	8	Nut-Lug
1:1	127-9515	1	Wheel	3	126-2055	2	Decal-Torque, Wheel Hub Lug
1:2	1-653160	1	Tire				
1:3	232-27	1	Stem-Valve				

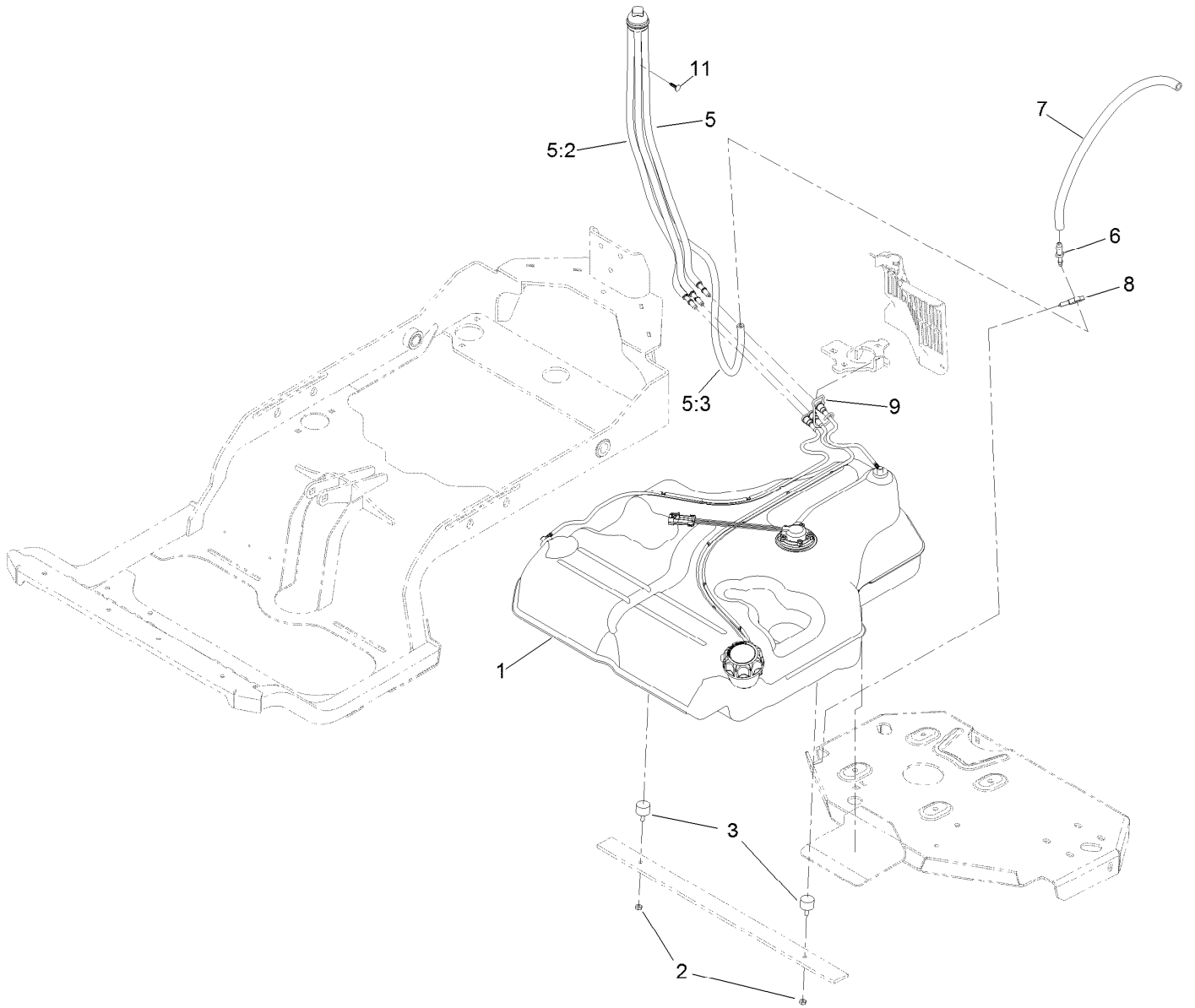
Park Brake Assembly



Park Brake Assembly (continued)

<i>Ref.</i>	<i>Part Number</i>	<i>Qty.</i>	<i>Description</i>	<i>Ref.</i>	<i>Part Number</i>	<i>Qty.</i>	<i>Description</i>
1	126-4248	1	Mount-Bellcrank, LH	20	119-1415	4	Pin-Cotter, Locking
2	126-4249	1	Mount-Bellcrank, RH	21	3296-6	1	Nut-Lock
3	116-9681	1	Mount-Pivot, LH	22	135-7440	1	Caliper-Brake, RH
4	116-9682	1	Mount-Pivot, RH	23	135-7441	1	Caliper-Brake, LH
5	32144-70	4	Screw-HWHTF	24	135-7828	2	Plate-Mount, Brake
6	109-8054	2	Bushing-Flange	25	115-7109	2	Washer-Flat
7	116-9096-01	1	Bracket-Mount	26	98-9940	4	Screw-HHF
8	135-7982	1	Brake Lever ASM W/Grip M-R	27	126-7587	2	Rear Linkage ASM
8:2	109-8054	2	Bushing-Flange	27:1	126-7588	2	Yoke
8:3	132-4749	1	Grip-Lever	27:2	116-9069	1	Linkage, Rear
9	116-9117	1	Pivot-Handle, Brake	27:3	3220-1	1	Nut-Jam
10	323-11	1	Screw-HH	28	126-6395	4	Pin-Clevis, Spring
11	126-6199	4	Bushing	29	126-6200	2	Spacer
12	135-7800	1	Shaft-Cross	30	32120-19	2	E-Ring
13	135-7805	1	ASM, Front Linkage	31	3230-2	2	Bolt-CARR
13:2	94-7572	1	End-Tie Rod, RH	32	135-7915	2	Screw-HH,
13:3	3220-3	1	Nut-HJ	33	112-0236	2	Nut-Lock
14	126-4251	2	Bellcrank	34	135-7890	2	Screw-HH, Patch,
15	126-3716	1	Arm-Inner, RH	35	104-8301	1	Nut-HF, NI
16	126-3715	1	Arm-Inner, LH	37	116-1399	2	Locknut
17	135-7584	2	Wireform, Mid-Link, Lwb	38	3256-24	6	Washer-Plain
18	104-8300	2	Nut-HF, NI	39	142-2701	2	Wheel Hub ASM
19	3256-23	4	Washer-Plain	39:2	116-1696	4	Stud-Wheel

Fuel System Assembly



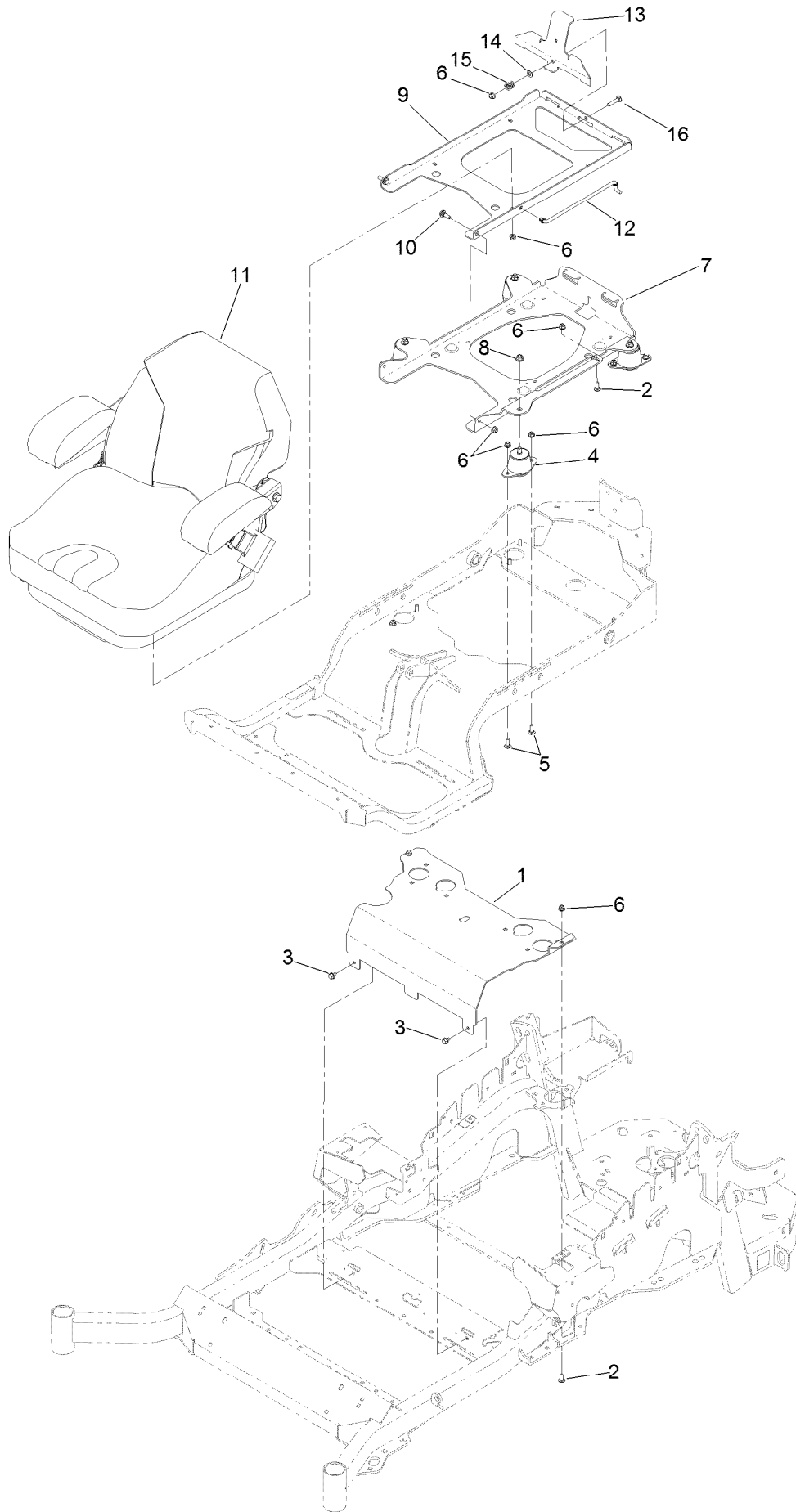
Fuel System Assembly (continued)

<i>Ref.</i>	<i>Part Number</i>	<i>Qty.</i>	<i>Description</i>	<i>Ref.</i>	<i>Part Number</i>	<i>Qty.</i>	<i>Description</i>
1	135-0643	1	Fuel Tank ASM	6	116-5072	1	Fitting-Straight
2	3218-1	2	Nut-Jam	7	116-5087	1	Hose-Fuel
3	1-523420	2	Bumper	8	105-1853	1	Clamp-Hose
5	127-0583	1	Fuel Manifold Vent ASM	9	116-6005	1	Retainer-Line, Vapor
5:2	109-0302	3	Hose-Fuel	11	125-8067	1	Plug-Plastic
5:3	108-5376	1	Hose-Fuel				

Fuel Tank Assembly No. 135-0643 (continued)

<i>Ref.</i>	<i>Part Number</i>	<i>Qty.</i>	<i>Description</i>	<i>Ref.</i>	<i>Part Number</i>	<i>Qty.</i>	<i>Description</i>
2	46-6560	4	Bushing	8:1	46-6560	1	Bushing
3	116-2459	1	Fuel Line Kit (With Grommet)	9	116-2461	1	LH Vent Line Kit (With Grommet)
3:1	46-6560	1	Bushing	9:1	46-6560	1	Bushing
4	3290-500	5	Screw-PPH	10	116-2462	1	Rear Vent Line Kit (With Grommet)
5	3253-17	5	Washer-Lock	10:1	46-6560	1	Bushing
6	126-3913	1	Float-Sender, Fuel	11	1-603770	1	Valve-Fuel
6:1	126-3950	1	Gasket-Sender	12	2412-98	2	Clamp-Hose
7	126-1789	1	Cap-Fuel, Ratcheting	13	109-0650	1	Hose-Fuel
8	116-2460	1	RH Vent Line Kit (With Grommet)				

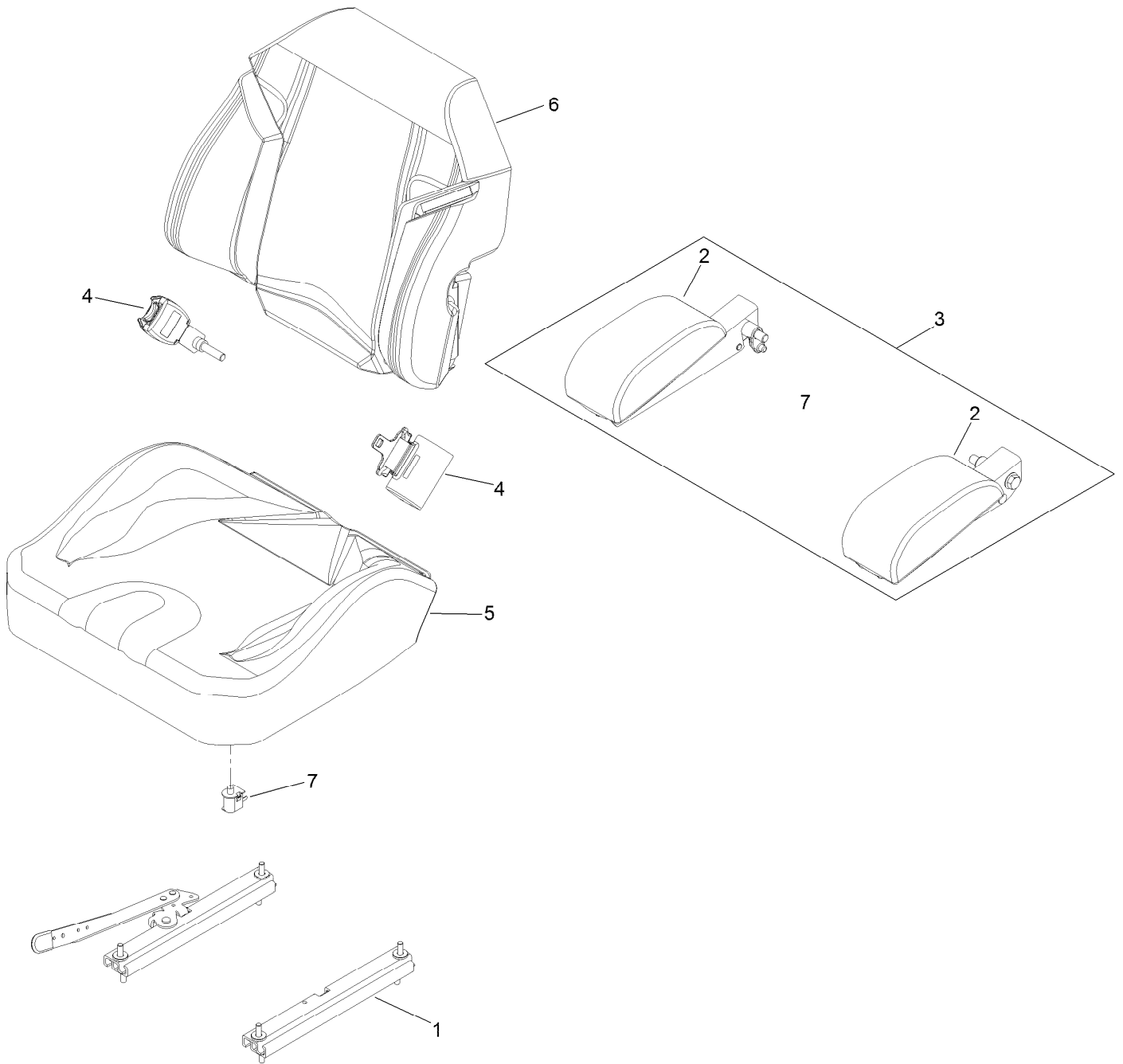
Seat Mounting Assembly



Seat Mounting Assembly (continued)

<i>Ref.</i>	<i>Part Number</i>	<i>Qty.</i>	<i>Description</i>	<i>Ref.</i>	<i>Part Number</i>	<i>Qty.</i>	<i>Description</i>
1	116-2130-03	1	Panel-Front, Seat Mount	9	116-3859-03	1	Plate-Frame, Seat
2	3230-23	3	Bolt-CARR	10	116-1297	2	Screw-Shoulder
3	9266934	2	Screw	11	139-3641	1	Seat-Standard
4	109-9034	4	Isolator-Seat	12	116-0070	1	Rod-Prop
5	3230-10	8	Bolt-CARR	13	132-5088-03	1	Plate-Latch,Seat
6	104-8300	18	Nut-HF, NI	14	3256-23	1	Washer-Plain
7	131-6324-03	1	Plate-Support, ISO Seat	15	107-3017	1	Spring-Compression
8	104-8301	4	Nut-HF, NI	16	3230-4	1	Bolt-CARR

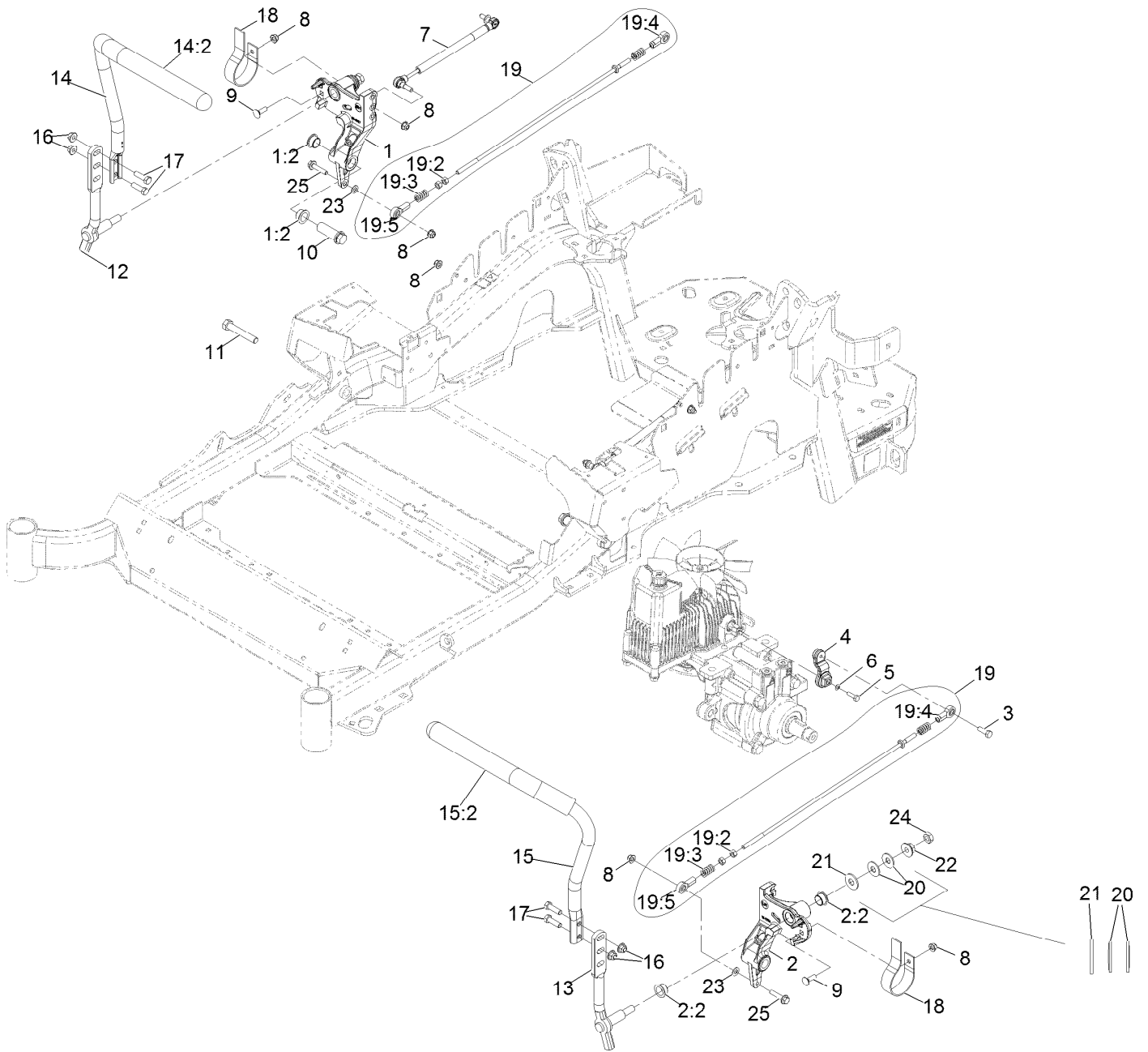
Seat Assembly No. 139-3641



Seat Assembly No. 139-3641 (continued)

<i>Ref.</i>	<i>Part Number</i>	<i>Qty.</i>	<i>Description</i>	<i>Ref.</i>	<i>Part Number</i>	<i>Qty.</i>	<i>Description</i>
1	109-9801	1	Seat Track Set	5	140-8006	1	Cover-Cushion
2	109-9802	1	Arm Rest Pad Set	6	140-8004	1	Cover-Back
3	109-9803	1	Arm Rest Set	7	82-2190	1	Switch-Bail
4	109-9805	1	Seat Belt Kit				

Motion Control Assembly

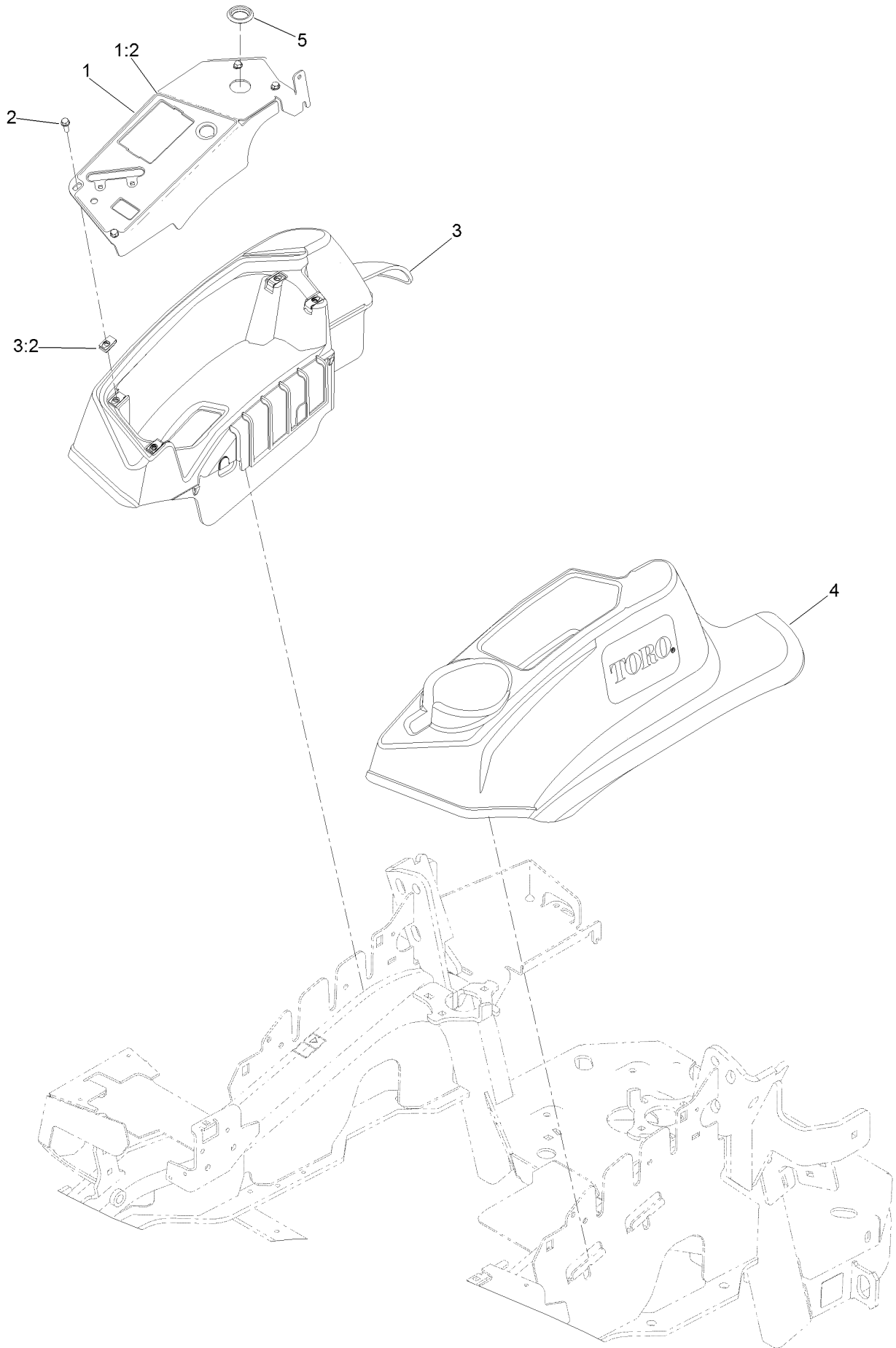


Motion Control Assembly (continued)

<i>Ref.</i>	<i>Part Number</i>	<i>Qty.</i>	<i>Description</i>	<i>Ref.</i>	<i>Part Number</i>	<i>Qty.</i>	<i>Description</i>
1	116-0880	1	RH Motion Control And Bushing ASM	14:2	109-5668	1	Grip-Lever, Control
1:2	109-8054	4	Bushing-Flanged	15	135-4476	1	ASM-Handle-LH
2	116-0881	1	LH Motion Control And Bushing ASM	15:2	109-5668	1	Grip-Lever, Control
2:2	109-8054	4	Bushing-Flanged	16	104-8301	4	Nut-Nyloc 3/8-16 Flg
3	116-0648	2	Screw-HH 5/16-18 X 1 W/Patch ●	17	323-7	4	Screw-HH 3/8-16 X 1 1/4
4	109-4581	2	Arm-Control, Pump	18	109-5575	2	Spring-Leaf
5	9080046	2	Screw-HH 1/4-20 X 7/8 ●	19	109-8107	2	Pump Linkage Rear ASM
6	1-303435	2	Washer-Spring Disc 1/4	19:2	3219-2	2	Nut-Hex 5/16-24
7	116-0027	2	Damper-Control, Motion	19:3	1-323245	2	Spring-Compression
8	104-8300	8	Nut-Nyloc 5/16-18 Flg	19:4	1-633152	1	Balljoint
9	3230-2	2	Bolt-Carriage 5/16-18 X 1	19:5	1-543017	1	Balljoint
10	109-5891	2	Hub-Threaded	20	109-9505	4	Washer, Spring Disc 1/2
11	325-12	2	Screw-HH 1/2-13 X 3	21	3256-6	2	Washer
12	116-0039	1	Lever-Control Motion, RH	22	32128-56	2	Nut-Hex 1/2-13 Flange
13	116-0040	1	Lever-Control Motion, LH	23	3256-23	2	Washer-5/16 SAE
14	135-4727	1	Handle- RH W/Grip	24	3218-5	2	Nut-Jam 1/2-13
				25	115-1794	2	Screw-Hex Flange 5/16-18 X 1 1/2

● Use Pro-Lock, Nut Type (P/N 1-840022, .5ml tube) on threads.

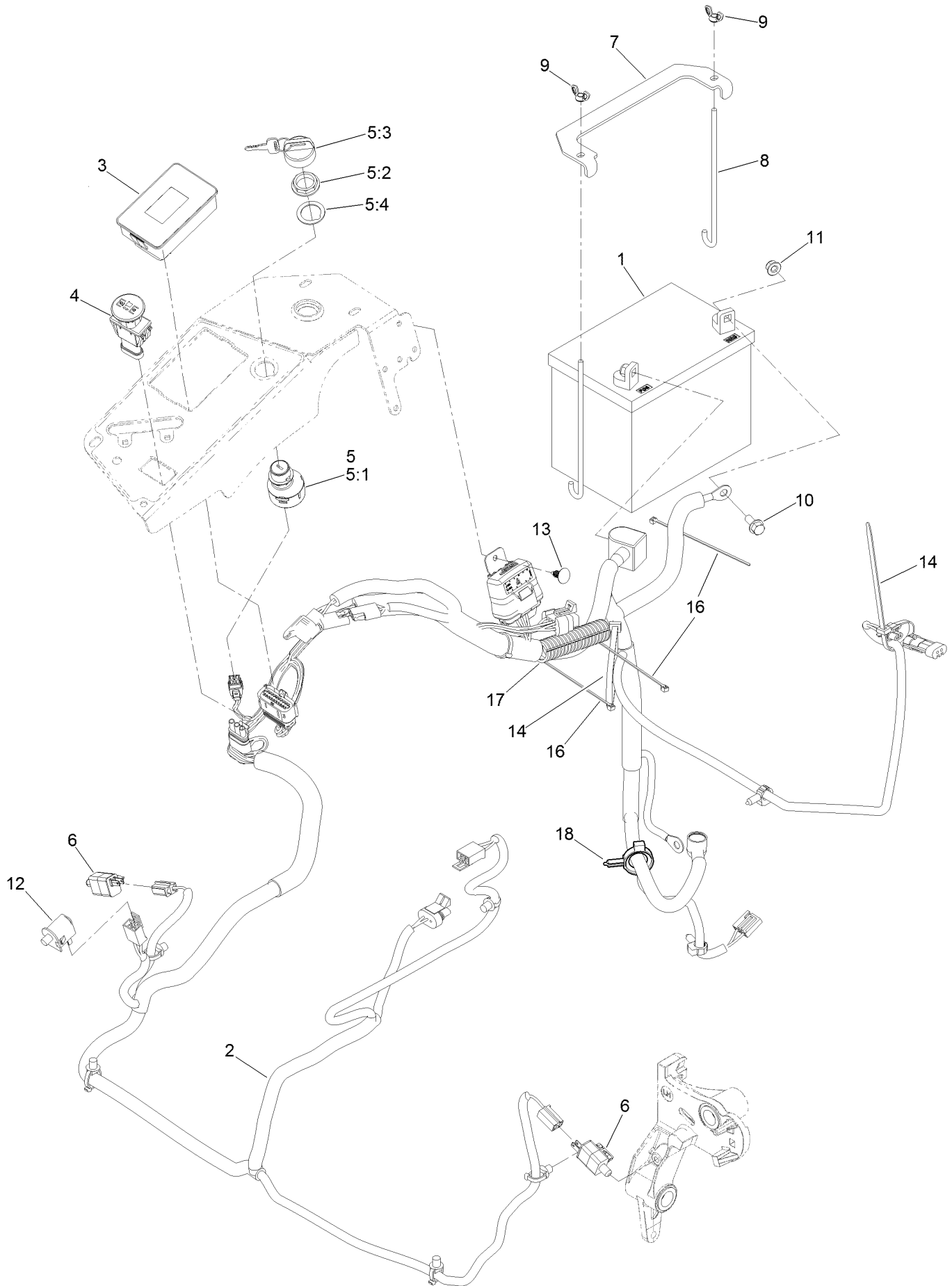
Console and Control Panel Assembly



Console and Control Panel Assembly (continued)

<i>Ref.</i>	<i>Part Number</i>	<i>Qty.</i>	<i>Description</i>	<i>Ref.</i>	<i>Part Number</i>	<i>Qty.</i>	<i>Description</i>
1	135-3644	1	Control Panel ASM	3:2	107069	4	Clip
1:2	137-9208	1	Decal-Panel, Control	4	119-2602	1	Console-LH
2	32105-15	4	Screw-HWH	5	116-1875	1	Plug-Plastic
3	119-2603	1	RH Console ASM				

Electrical Assembly

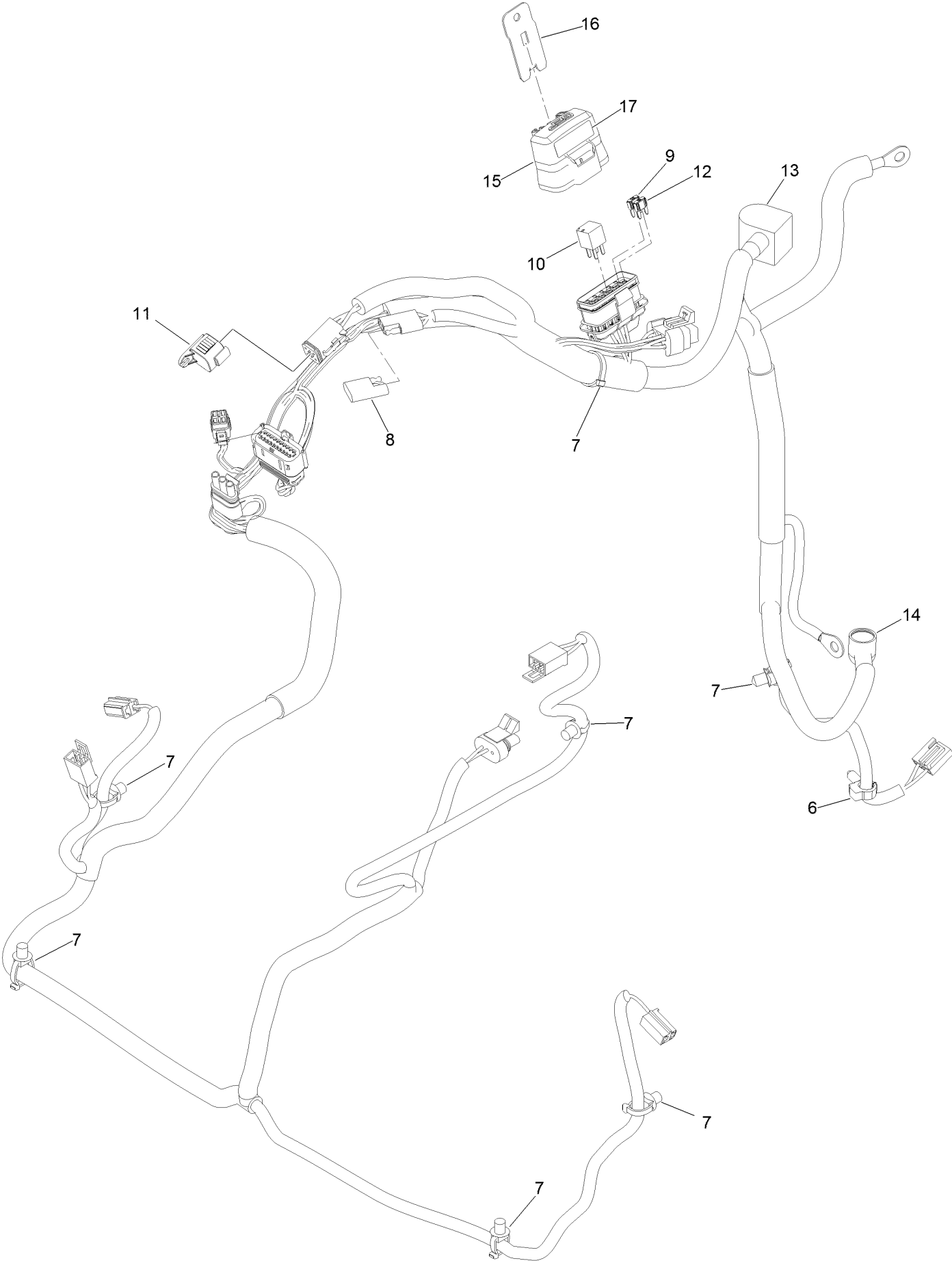


Electrical Assembly (continued)

<i>Ref.</i>	<i>Part Number</i>	<i>Qty.</i>	<i>Description</i>	<i>Ref.</i>	<i>Part Number</i>	<i>Qty.</i>	<i>Description</i>
1	104-8162	1	Battery	8	1-633651	2	Bolt-Holddown
2	135-5753	1	Wire Harness ASM	9	1-543792	2	Wingnut
3	135-2471	1	Meter-Hour	10	3234-5	2	Screw-HHF
4	126-6187	1	Switch-PTO, Sealed	11	104-8300	2	Nut-HF, NI
5	126-6285	1	Ignition Switch ASM	12	82-2190	1	Switch-Bail
5:1		1	Switch-Ignition ●	13	117-2382	1	Plug-Plastic
5:2	108-8660	1	Nut-Mounting	14	1-303335	1	Tie-Plastic
5:3	106-5270	1	Ignition Key Set	16	1-303287	3	Tie-Cable
5:4	108-8659	1	Washer-Backup	17	131-8846	1	Cover-Hose
6	110-6765	2	Switch	18	105-1853	1	Clamp-Hose
7	116-0042-03	1	Strap-Tie Down, Battery				

● Not serviced separately

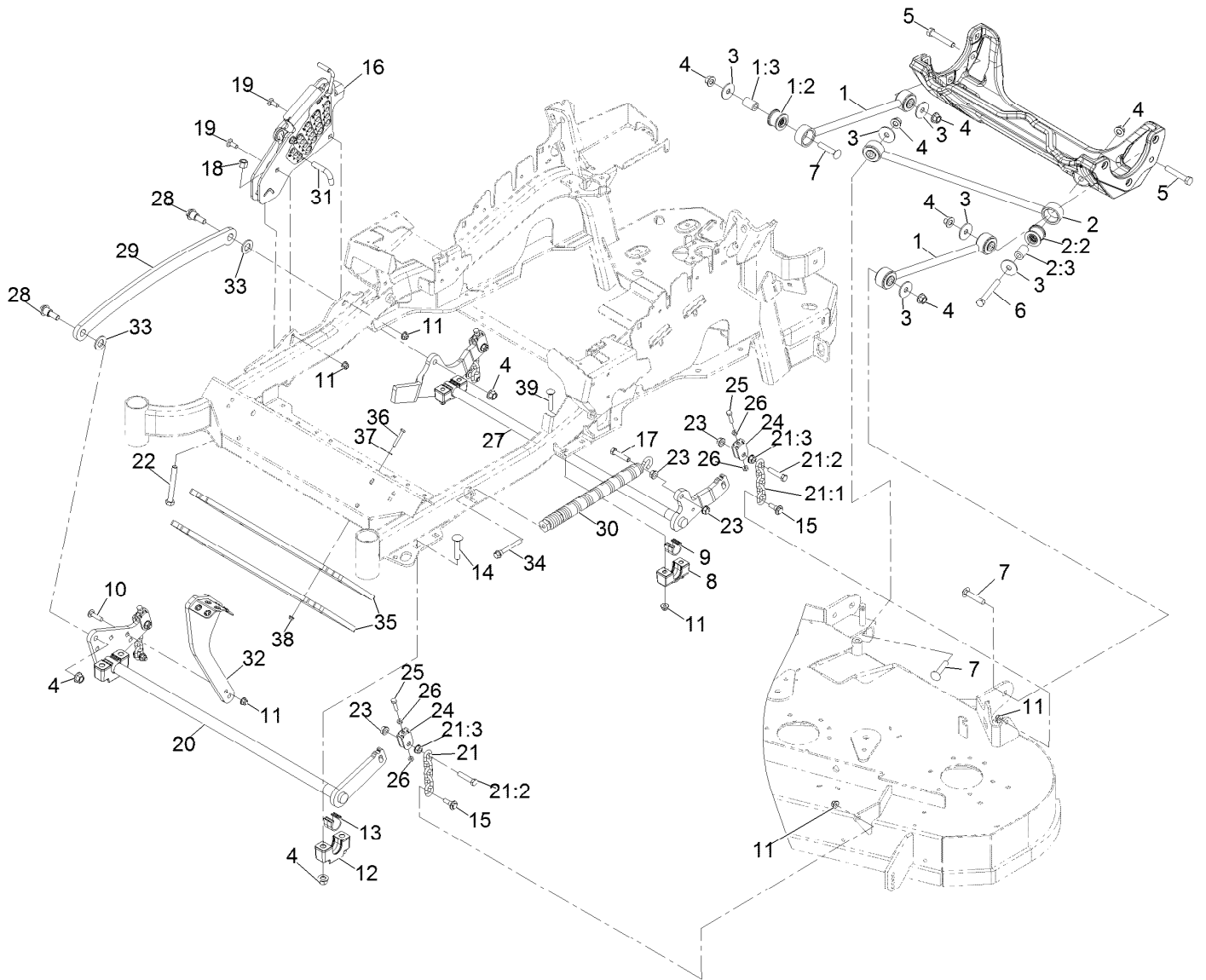
Wire Harness Assembly No. 135-5753



Wire Harness Assembly No. 135-5753 (continued)

<i>Ref.</i>	<i>Part Number</i>	<i>Qty.</i>	<i>Description</i>	<i>Ref.</i>	<i>Part Number</i>	<i>Qty.</i>	<i>Description</i>
6	32180-037	1	Clip-Harness	12	121-8867	1	Fuse-Mini Blade, 15 Amp
7	32180-030	7	Clip-Tie	13	126-8876	1	Insulator-Battery
8	32180-197	1	Cap-Plug	14	1-543393	1	Insulator-Solenoid
9	121-8868	1	Fuse-Mini Blade, 20 Amp	15	32180-176	1	Cover-Block, Fuse
10	126-3991	1	Relay-Micro	16	32180-177	1	Clip-Mounting
11	32180-156	1	Cap-Plug, 6 Way	17	126-7875	1	Decal-Fuse

Deck Lift Assembly



Deck Lift Assembly (continued)

<i>Ref.</i>	<i>Part Number</i>	<i>Qty.</i>	<i>Description</i>	<i>Ref.</i>	<i>Part Number</i>	<i>Qty.</i>	<i>Description</i>
1	109-7952	2	Deck Strut ASM	18	3296-23	1	Nut-Lock, NI
1:2	109-5009	2	Bushing-Suspension, Rubber	19	3231-2	2	Bolt-CARR
1:3	109-5010	2	Spacer	20	126-2475-03	1	Decklift-Front
2	109-5013	1	Panhard Rod ASM	21	116-0756	4	Deck Lift Chain ASM
2:2	109-5009	2	Bushing-Suspension, Rubber	21:1	1-633447	1	Chain-Lift, Deck
2:3	109-5010	2	Spacer	21:2	109-9065	1	Screw-HH
3	86-1990	6	Washer-Thrust	21:3	32128-37	1	Nut-HF
4	99-5107	12	Nut-Lock	22	116-0559	1	Bolt-TAP
5	325-12	2	Screw-HH	23	32128-37	6	Nut-HF
6	325-17	1	Screw-HH	24	109-9066	4	Yoke-Adjust, Deck
7	3233-34	3	Screw-CARR	25	322-47	4	Screw-HH
8	127-0553	2	Support-Bearing, Cross Shaft (Rear)	26	3218-2	8	Nut-Hex Jam
9	109-7173	2	Bearing-Cross Shaft, Rear	27	116-0459-03	1	Lift-Deck, Rear
10	3231-4	2	Screw-CARR	28	116-0780	2	Screw-Shoulder, HHF
11	104-8301	12	Nut-HF, NI	29	116-0797-03	1	Link-Lift, Deck
12	109-9409	2	Support-Bearing, Cross Shaft (Front)	30	116-0886	1	Spring-Extension
13	109-9410	2	Bearing-Cross Shaft, Front	31	116-5584	1	Pin-HOC
14	116-1700	4	Bolt-CARR	32	131-8812-01	1	Lever-Foot
15	109-9840	4	Screw-Shoulder, HHF	33	3256-28	2	Washer-Flat
16	109-7438	1	HOC ASM	34	92-7674	1	Bolt-Shoulder
17	109-9065	1	Screw-HH	35	140-4963-01	2	Weight-Toe Board
				36	321-10	4	Screw-HH
				37	3256-22	4	Washer-Flat
				38	104-7201	4	Nut-HF, NI
				39	3231-7	4	Screw-CARR

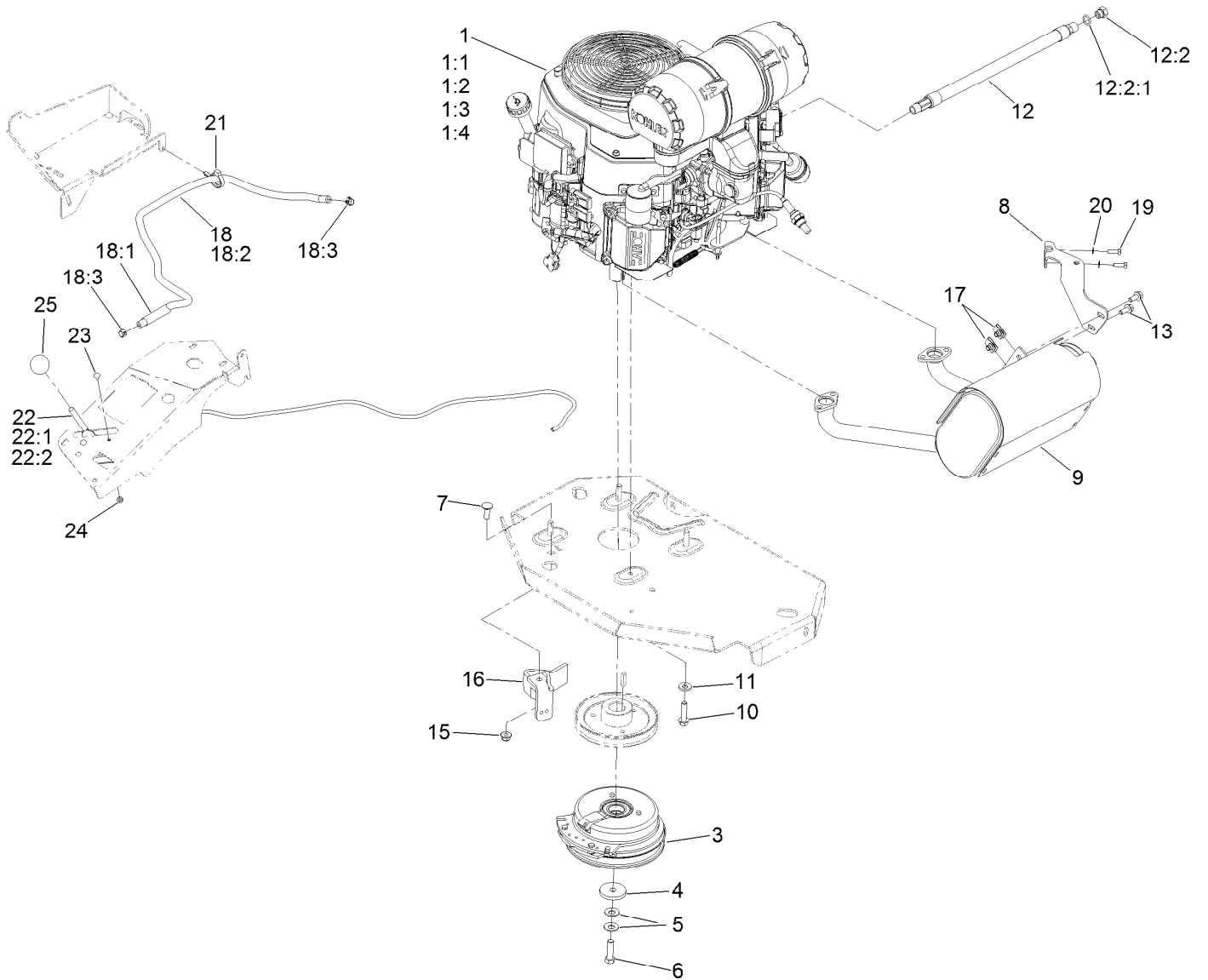
Height-of-Cut Assembly No. 109-7438



Height-of-Cut Assembly No. 109-7438 (continued)

<i>Ref.</i>	<i>Part Number</i>	<i>Qty.</i>	<i>Description</i>	<i>Ref.</i>	<i>Part Number</i>	<i>Qty.</i>	<i>Description</i>
1	62-1330	1	Bolt-Shoulder	6	116-0118	1	Pawl-Transport, HOC
2	109-7130	1	Grommet	7	109-7335	1	HOC Plate ASM
3	104-8301	1	Nut-HF, NI	7:2	126-4398	1	Decal-HOC
4	109-7124	1	Spring-Extension	8	109-8250	1	Grip-Lever
5	109-7128	1	Rod-Lock, Transport				

Engine, Clutch and Muffler Assembly



Engine, Clutch and Muffler Assembly (continued)

<i>Ref.</i>	<i>Part Number</i>	<i>Qty.</i>	<i>Description</i>	<i>Ref.</i>	<i>Part Number</i>	<i>Qty.</i>	<i>Description</i>
1		1	Engine-Kohler Ecv740-3063 ▲◆	12:2	353-508	1	Plug-HH ●
1:1		1	Kohler 52 050 02-S Engine Oil Filter ▲◆	12:2:1	237-42	1	O-Ring
1:2		1	Kohler 25 083 01-S Engine Air Filter ▲◆	13	3234-5	2	Screw-HHF
1:3		1	Kohler 25 083 04-S Safety Filter ▲◆	15	104-8301	1	Nut-HF, NI
1:4	135-2483	1	Kohler 25 050 42-S Fuel Filter	16	116-2612-01	1	Clutch-Anchor
3	116-1620	1	Clutch Kit	17	94-2413	2	Nut-U
4	109-6919	1	Washer-Plain	18	117-3893	1	Fuel Line ASM
5	1-603610	2	Washer-Spring	18:1	109-0273	1	Hose-Fuel
6	109-9761	1	Screw-HH □	18:2	117-3892	1	Sleeve-Thermal
7	3231-22	1	Screw-CARR	18:3	2412-98	2	Clamp-Hose
8	116-4297	1	Muffler Bracket Kit	19	116-4295	2	Screw-HH
9	135-2127	1	Muffler Kit	20	1-303435	2	Washer-Spring
10	32144-102	4	Screw-HWH	21	105-1853	1	Clamp-Hose
11	98-5975	4	Washer-Belleville	22	115-2752	1	Throttle Control ASM
12	116-5316	1	Oil Drain Hose ASM ■	22:1	112-2334	1	Lever-Throttle
				22:2	115-3868	1	Cable-Throttle
				23	1-807513	2	Bolt-CARR
				24	3296-2	2	Nut-Lock, NI
				25	1-603175	1	Knob-Ball

● Torque to 24-26 ft-lb

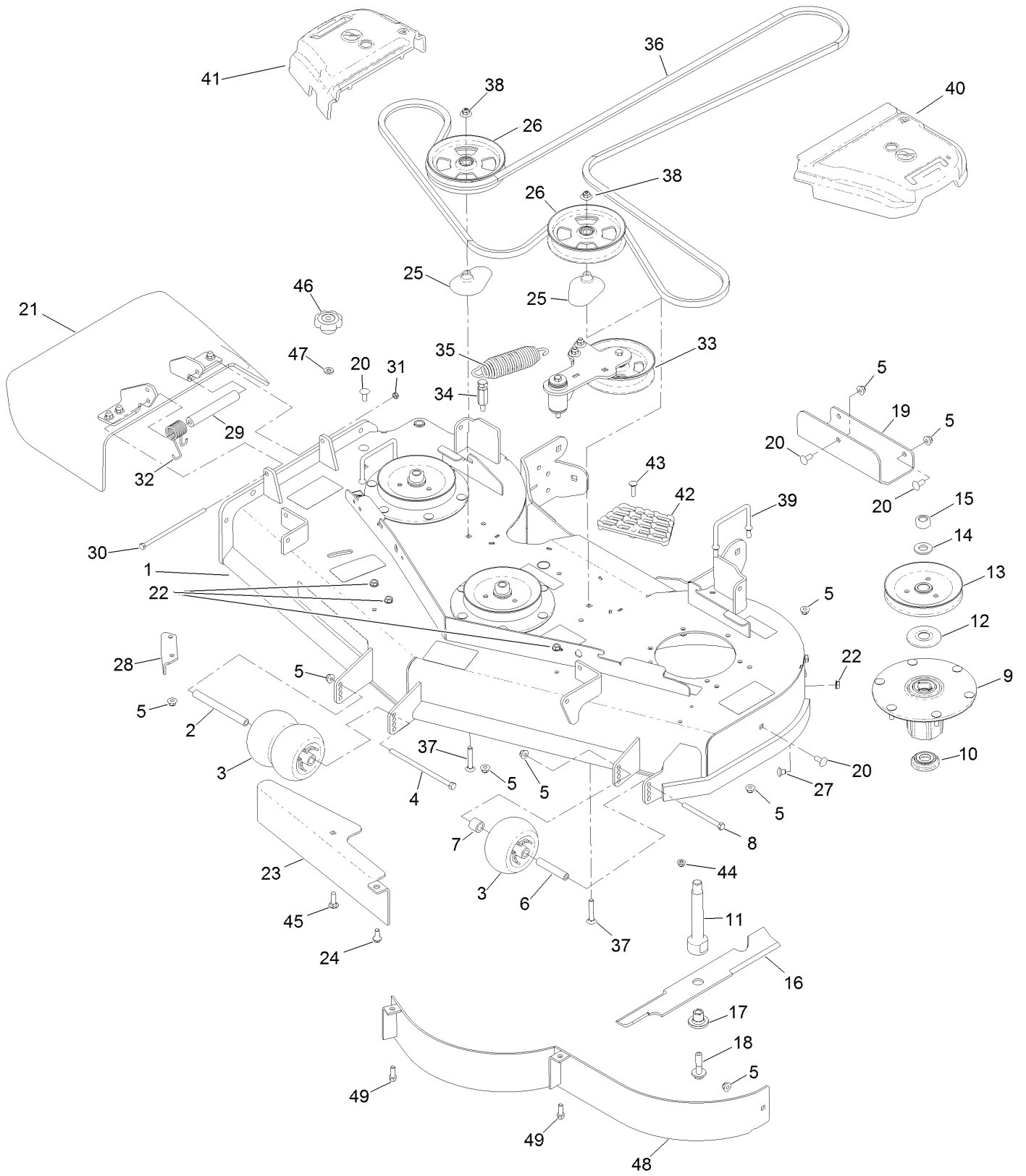
▲ Not serviced separately

□ Use Pro-Lock, Nut Type (P/N 1-840022, .5ml tube) on threads.

■ Torque to 17-23 ft-lb

◆ Obtain parts from www.kohlerplus.com

Deck Assembly

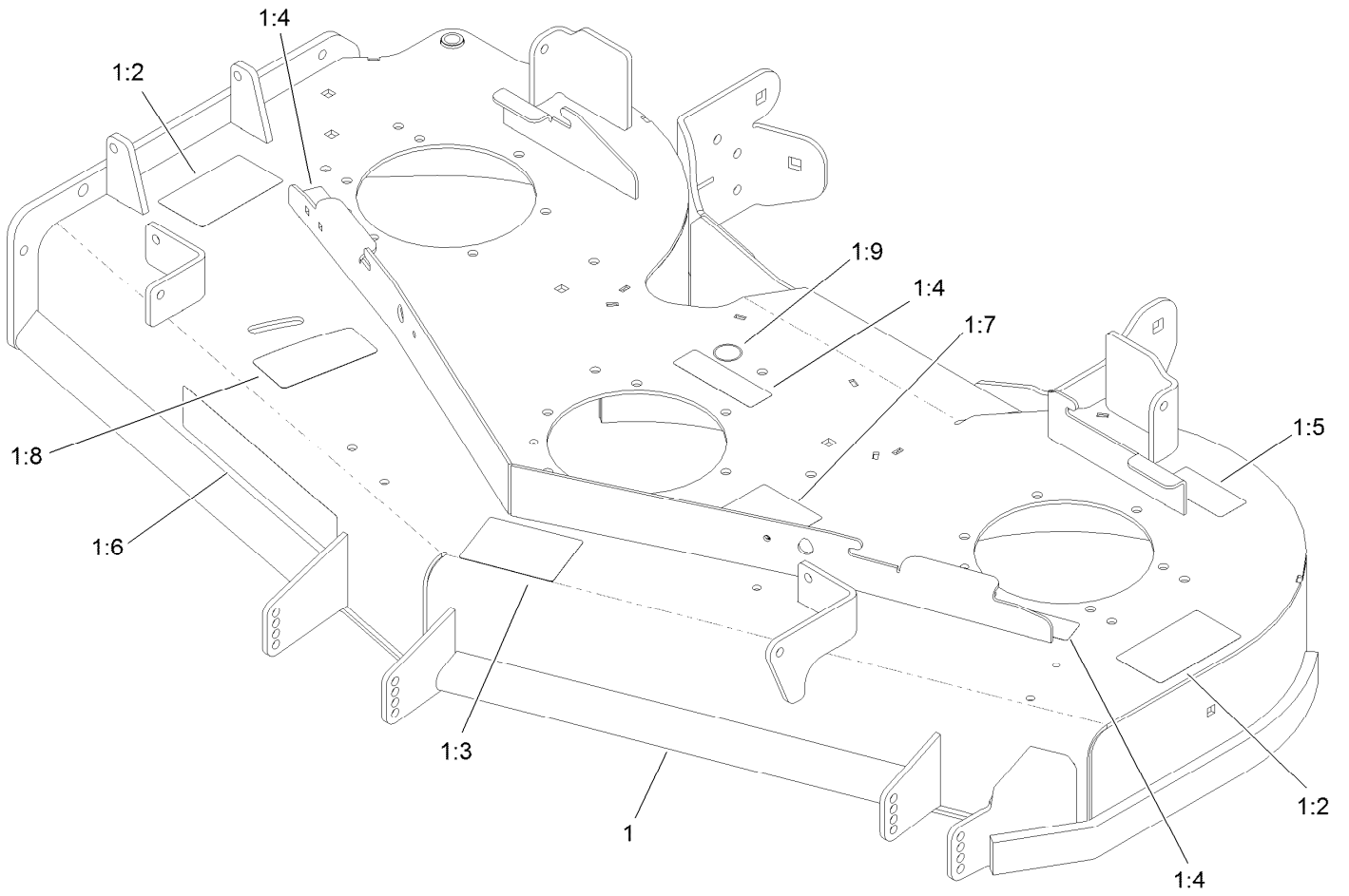


Deck Assembly (continued)

<i>Ref.</i>	<i>Part Number</i>	<i>Qty.</i>	<i>Description</i>	<i>Ref.</i>	<i>Part Number</i>	<i>Qty.</i>	<i>Description</i>
1	140-1168	1	Deck Decal ASM	26	136-5404	2	Pulley-Idler, Flat
2	98-5967	1	Spacer-Wheel	27	108-5387	3	Screw-CARR
3	1-603299	3	Roller-Scalp, Anti	28	107-8541-01	1	Baffle-Discharge
4	108-5388	1	Screw-HH	29	105-4622	1	Spacer
5	104-8301	31	Nut-HF, NI	30	322-50	1	Screw-HH
6	98-7912	1	Tube-Spanner	31	3296-47	1	Nut-Lock,NI
7	98-7913	1	Tube-Spacer	32	108-4052	1	Spring-Torsion
8	323-23	1	Screw-HH	33		1	Idler Arm ASM ●
9	137-9780	3	Spindle ASM	34	114-5867	1	Anchor-Spring, Tall
10	137-9784	3	Guard-Bottom	35	116-6317	1	Spring-Extension
11	138-6045	3	Shaft-Spindle	36	115-7426	1	Belt-V
12	103-1330	3	Guard-Bearing, Top	37	3231-40	2	Bolt-CARR
13	138-6058	3	Sheave-Blade Drive 6.50	38	109-6658	2	Nut-Flange, NI
14	103-2802	3	Washer	39	109-6982	2	Wireform-Cover
15	116-7306	3	Nut-Hex	40	109-6936	1	Cover-Belt, LH
16	140-1242	3	Blade-Flow, High	41	109-6935	1	Cover-Belt, RH
17	137-9787	3	Bushing-Hex	42	126-4781-03	1	Step-Deck
18	109-9220	3	Screw-Sems	43	3230-3	1	Screw-CARR
19	121-7975-01	1	Plate-Skid	44	104-8300	1	Nut-HF, NI
20	3231-27	6	Screw-CARR	45	3231-25	1	Bolt-CARR
21	108-2792	1	Rubber Deflector ASM	46	109-1092	1	Knob
22	3290-357	6	Nut-HSF	47	100-4852	1	Washer-Hardened
23	138-6052-01	1	Plate-Baffle, Formed	48	115-7461-01	1	Baffle
24	94-7582	1	Bolt-Shoulder	49	92-1624	2	Screw-HWH Thd Form
25	109-2872	2	Spacer-Pulley				

● Not serviced separately

Deck Decal Assembly No. 140-1168



Deck Decal Assembly No. 140-1168 (continued)

<i>Ref.</i>	<i>Part Number</i>	<i>Qty.</i>	<i>Description</i>	<i>Ref.</i>	<i>Part Number</i>	<i>Qty.</i>	<i>Description</i>
1		1	Deck ASM ●	1:6	107-1618	1	Decal
1:2	117-3848	2	Decal-Danger	1:7	136-5508	1	Decal-Routing, Deck Belt
1:3	127-0326	1	Decal-Scalp, Anti	1:8	131-1180	1	Decal-Adjustment, Baffle
1:4	112-9028	3	Decal-Cover, Missing	1:9	58-6520	1	Decal-Grease
1:5	116-8283	1	Decal-Torque, Bolt				

● Not serviced separately

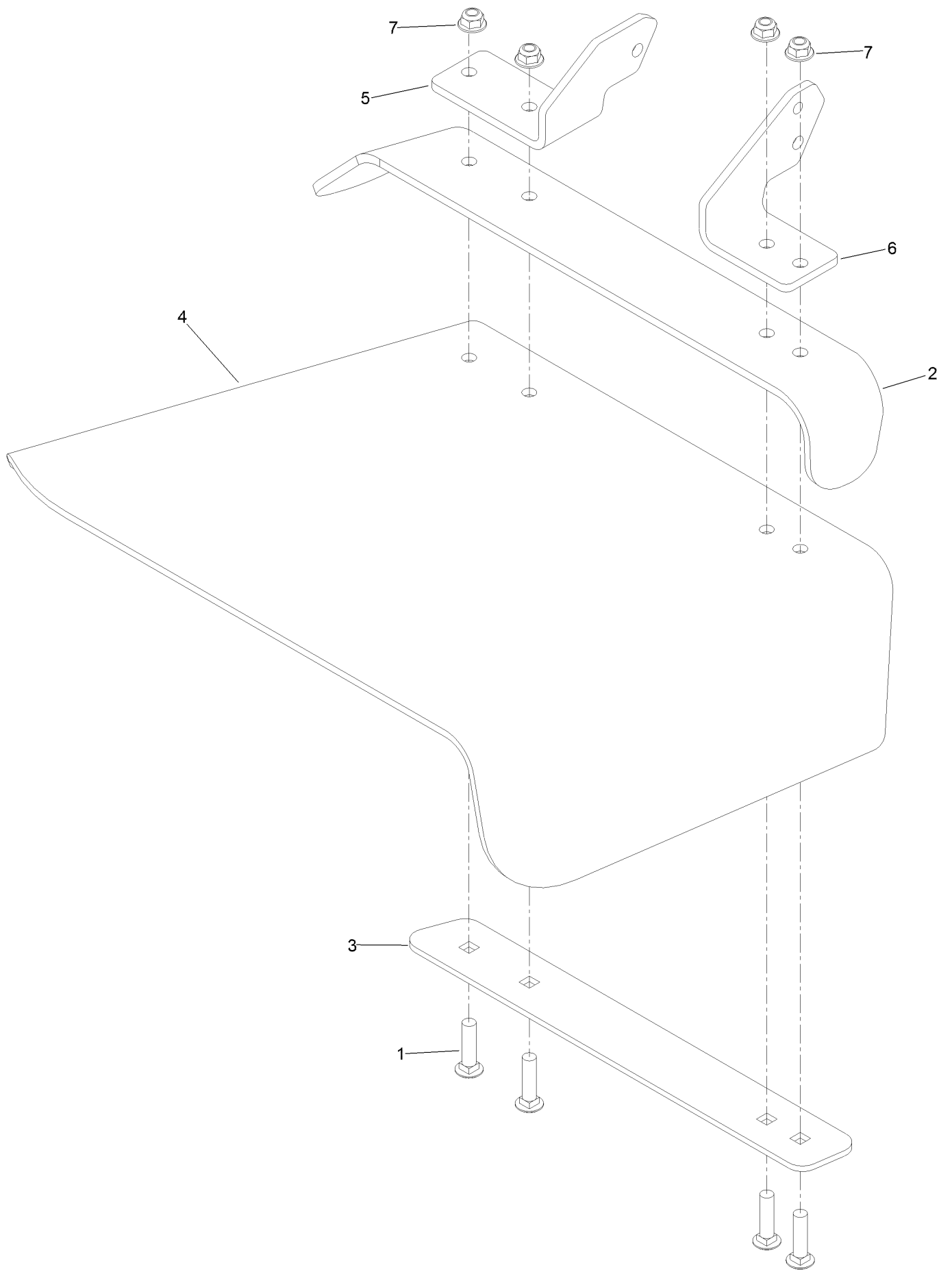
Spindle Assembly No. 137-9780



Spindle Assembly No. 137-9780 (continued)

<i>Ref.</i>	<i>Part Number</i>	<i>Qty.</i>	<i>Description</i>
2	116-0720	2	Bearing-Ball
3	138-6042	1	Spacer-Bearing

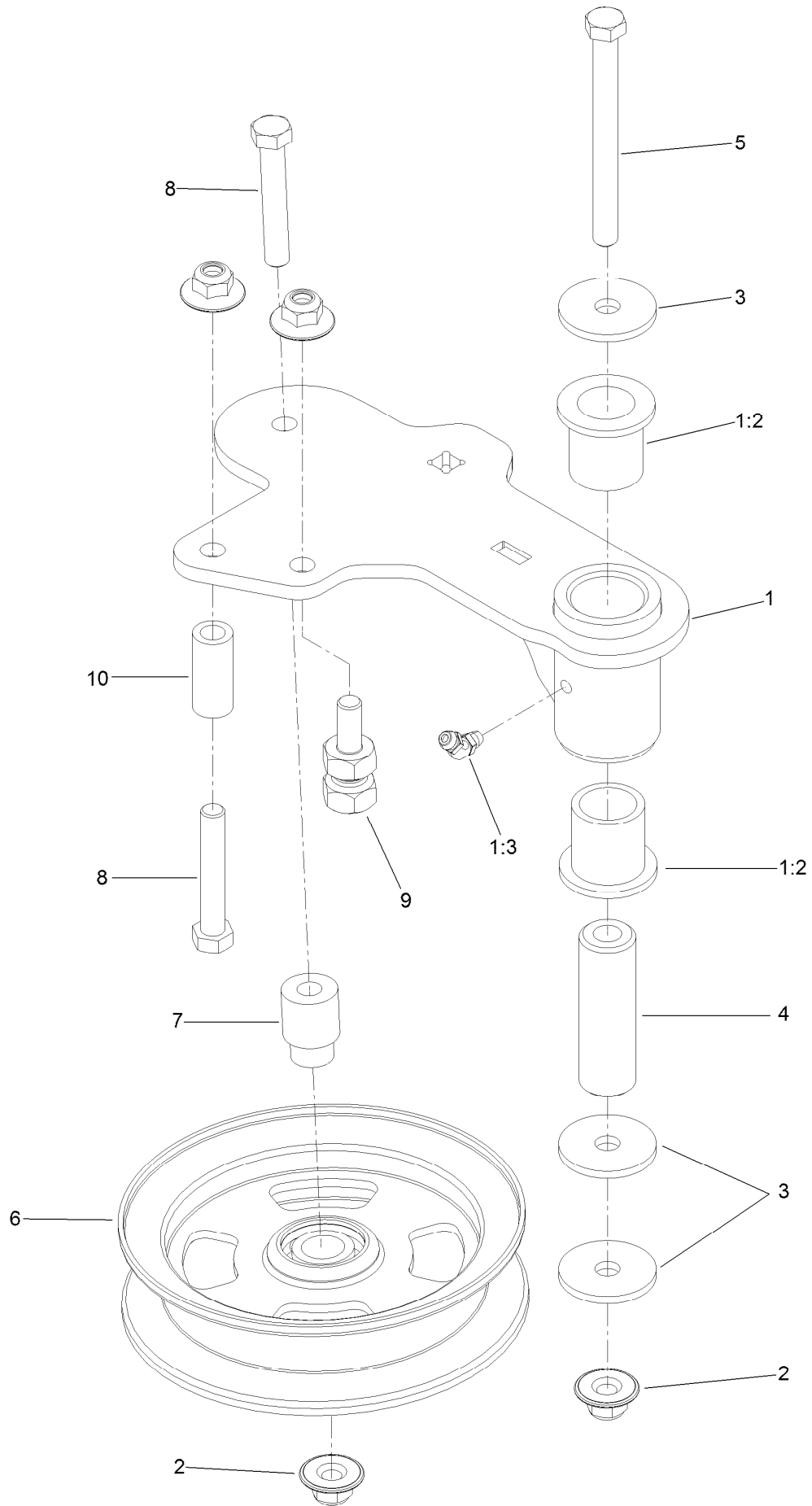
Rubber Deflector Assembly No. 108-2792



Rubber Deflector Assembly No. 108-2792 (continued)

<i>Ref.</i>	<i>Part Number</i>	<i>Qty.</i>	<i>Description</i>	<i>Ref.</i>	<i>Part Number</i>	<i>Qty.</i>	<i>Description</i>
1	3231-4	4	Screw-CARR	5	108-4059-01	1	Plate-Hinge, Rear
2	106-3246-01	1	Deflector	6	106-3253-01	1	Plate-Hinge, Front
3	106-3248-03	1	Strap-Discharge	7	104-8301	4	Nut-HF, NI
4	108-5029	1	Deflector-Rubber				

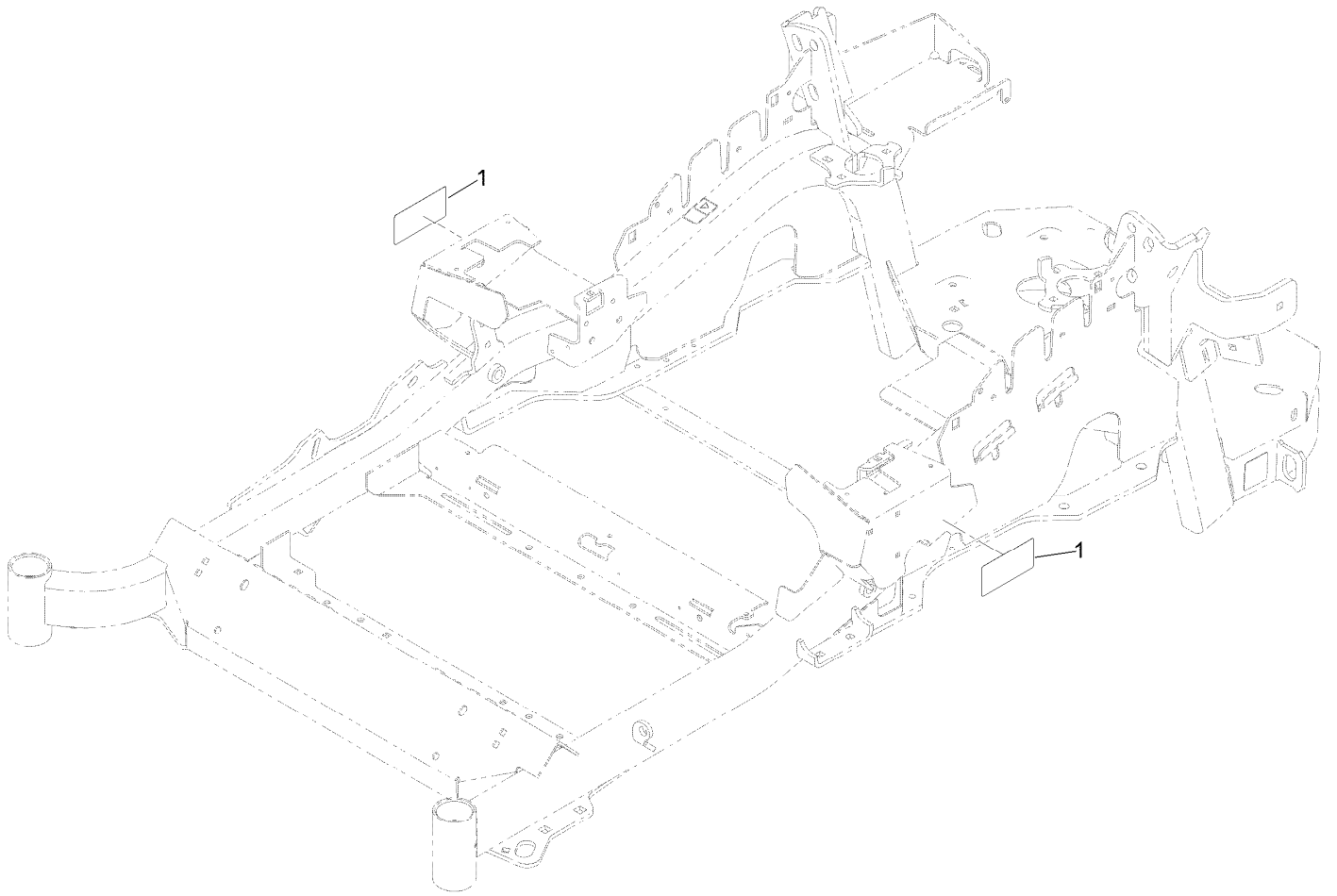
Idler Arm Assembly



Idler Arm Assembly (continued)

<i>Ref.</i>	<i>Part Number</i>	<i>Qty.</i>	<i>Description</i>	<i>Ref.</i>	<i>Part Number</i>	<i>Qty.</i>	<i>Description</i>
1	114-5870	1	Idler Arm ASM	5	98-5961	1	Screw-HH
1:2	1-303514	2	Bearing-Flanged	6	132-9425	1	Pulley-Idler, Flat
1:3	1481	1	Fitting-Grease	7	112-4212	1	Mount-Pulley
2	109-6658	4	Nut-Flange, NI	8	323-11	2	Screw-HH
3	1-213069	3	Washer	9	132-4729	1	Anchor-Spring, Short
4	114-5848	1	Spacer-Plain	10	104-0151	1	Spacer

Frame Decal Assembly



Frame Decal Assembly (continued)

<i>Ref.</i>	<i>Part Number</i>	<i>Qty.</i>	<i>Description</i>
1	120-5894	2	Decal

Attachments and Accessories

For 72955 Z Master Professional 5000 Series Riding Mower with 52in TURBO FORCE Side Discharge Mower

Product Name	Model/Part
Turbo Baffle Kit	107-1634
Anti-Scalp Kit (Trim Side).....	108-4140
Hitch Kit	109-9487
Hypr-Oil 500 (quart).....	114-4713
Hypr-Oil 500 (gallon).....	114-4714
Hypr-Oil 500-5 (5 gallon).....	114-4715
Bimini Folding Shade Assembly	115-4510
Roller Striper Kit.....	115-7470
Light Kit.....	116-1154
Seat Cover (W/arm rest).....	117-0095
Operator Controlled Discharge Chute Kit.....	117-3600
Jack Mount Kit	127-6665
Jack Kit.....	127-6666
Worklight Kit	135-7320
Shock/Spring Asm	136-8993
Bucket Mount Kit.....	137-9216
Trimmer Mount	137-9769
Recycler Kit	139-6653
Blade-18.00 High Flow	140-1242
Blade-18.00 Medium Flow	140-4856
Blade-18.00 Low Flow	140-4857
Blade-18.00 Atomic	140-4858
Blade-18.00 Recycler	140-4859
6 Pack-Blade, 18.00 High Flow.....	140-4882
6 Pack-Blade, 18.00 Med Flow	140-4883
6 Pack-Blade, 18.00 Low Flow	140-4884
6 Pack-Blade, 18.00 Atomic.....	140-4885
6 Pack-Blade, 18.00 Recycler.....	140-4886
Weight Kit, Under Toe Board.....	140-4958
Toro Rider Over Seat Bag.....	490-7317
Toro Deluxe Rider Cover.....	490-7319
Toro Rider Arm Rest Bag	490-7320
Spark Arrestor Screen	75-6880
Blower and Drive Kit	78552
E-Z Vac Twin Bagging System.....	78562
E-Z Vac DFS Collection System	78566
Filter Minder Gauge	99-4664
Trash Holder Kit.....	TC26

Notes:



Count on it.