



**Count on it.**

**Parts Catalog**

**Z Master<sup>®</sup> Professional 6000  
Series Riding Mower**

**with 132cm TURBO FORCE<sup>®</sup> Side Discharge  
Mower**

Model No. 72969TE—Serial No. 412900000 and Up



# Ordering Replacement Parts

To order replacement parts, please supply the part number, the quantity, and the description of each part desired.

## Understanding Reference Numbers

Each identified part in an illustration has a reference number. The reference number for a part also appears in the parts list, along with other information about the part.

This catalog uses two special reference number formats, one to indicate parts in a service assembly and another to indicate the quantity of a given part in an illustration.

## Service Assembly Reference Numbers

Parts in service assemblies have reference numbers in the form a:b. The a represents the reference number of the entire service assembly and the b represents a sequential number unique to each part within the service assembly.

For example, a wheel assembly might be identified by reference number 6, the tire by 6:1, the valve by 6:2, and the wheel by 6:3. When you order the assembly identified by reference number 6, you receive all parts identified by reference numbers 6:1, 6:2, and 6:3. However, you may also order any part individually. Reference numbers of this type appear in illustration and in parts lists.

## Reference Numbers Indicating Quantity

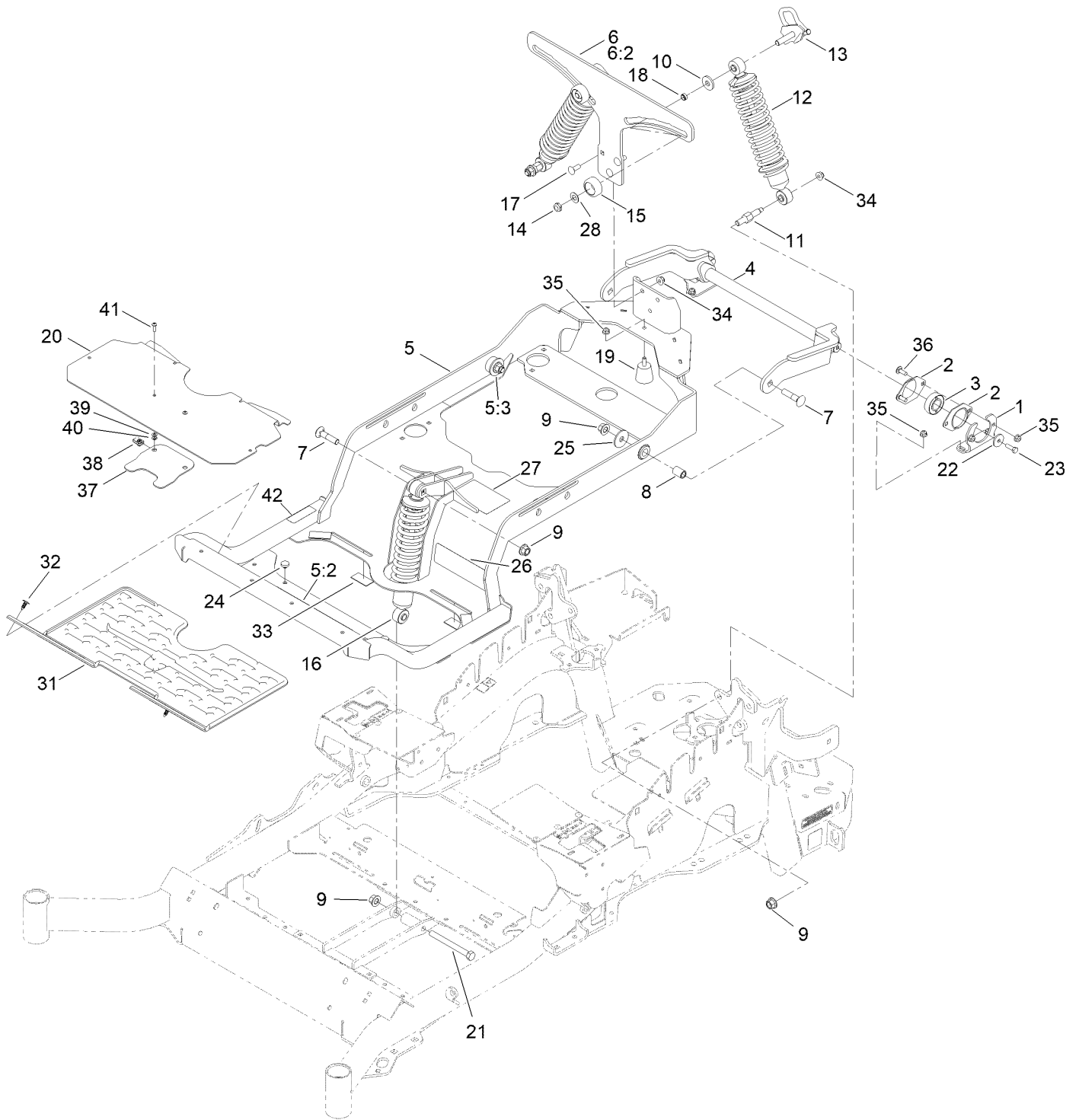
In an illustration, if a reference number indicates more than one part, the reference number has the form nX y. The n represents the quantity of the part, the X is the multiplication symbol, and the y represents the reference number.

For example, in an illustration, the reference number 2X 37 means that two of the parts identified by reference number 37 are indicated.

# Contents

Frame Assembly	4
Mainframe and Muffler Guard Assembly	6
Z Stand Assembly	8
Roll-Over Protection System Assembly No. 116-0232	10
Front Caster and Fork Assembly	12
Caster Wheel and Fork Assembly	14
Hydraulic Drive Assembly	16
Pump Idler Assembly No. 116-1255	18
LH Hydro Assembly No. 135-7899	20
RH Hydro Assembly No. 135-7900	22
Rear Wheel Assembly	24
Park Brake Assembly	26
Fuel Tank Assembly	28
Fuel Tank Assembly-Lazer 135-0643	30
Seat Mounting Assembly	32
Seat Assembly No. 147-4983	34
Motion Control Assembly	36
Console Assembly	38
RH Console Assembly No. 115-7402	40
LH Console Assembly No. 115-7403	42
Electrical Assembly	44
Deck Lift Assembly	46
Height-of-Cut Assembly No. 117-3842	48
Engine, Clutch and Muffler Assembly	50
Deck Assembly	52
Deck Decal Assembly No. 140-1168	54
Idler Arm Assembly	56
Spindle Assembly No. 137-9780	58
Rubber Deflector Assembly No. 108-2792	60
Frame Decal Assembly	62
Attachments and Accessories	64

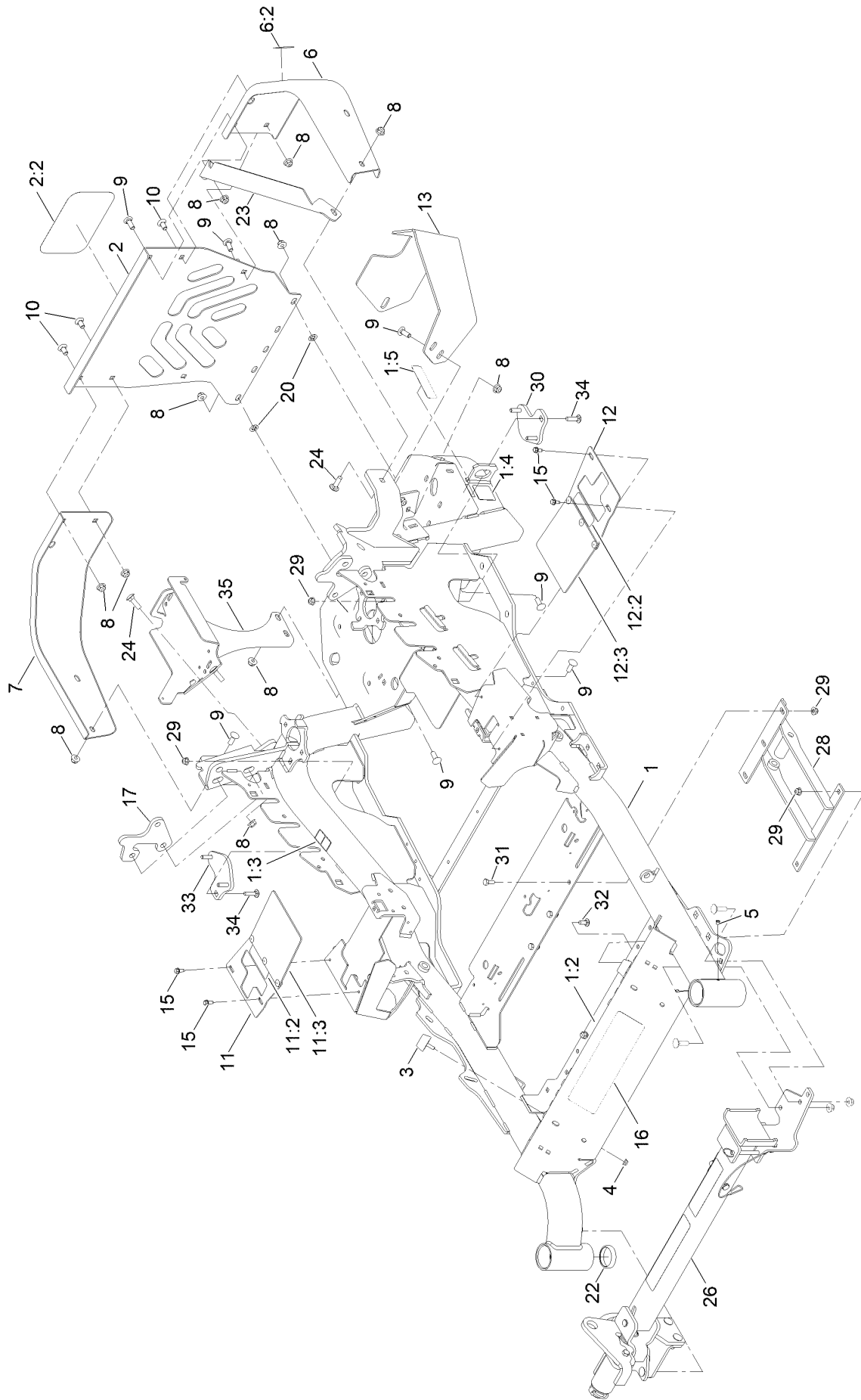
# Frame Assembly



## Frame Assembly (continued)

<i>Ref.</i>	<i>Part Number</i>	<i>Qty.</i>	<i>Description</i>	<i>Ref.</i>	<i>Part Number</i>	<i>Qty.</i>	<i>Description</i>
1	127-6759-03	2	Bracket-Bearing	19	132-5058	1	Bumper-Rubber
2	127-6743	4	Housing-Bearing, Flange	20	144-0381-01	1	Floorpan
3	1-653346	2	Bearing	21	325-19	1	Screw-HH
4	127-6754-03	1	Arm-Trailing	22	105-3048	2	Washer-Flat
5	140-4868	1	Subframe ASM	23	116-0648	2	Screw-HH, Thread Locking
5:2	132-0871	1	Decal-Danger	24	1-513658	2	Bumper
5:3	127-6745	2	Bushing-Flange	25	86-1990	2	Washer-Thrust
6	144-2602	1	Bracket-Mounting	26	144-0437	1	Decal-Myride
6:2	132-5067	1	Decal-Adjustment, Ride	27	125-9383	1	Decal-Service Aid
7	127-6768	3	Screw-CARR	28	3-6803	2	Washer-Adjusting
8	127-6751	2	Spacer-Aluminum	31	144-0355	1	Floormat-Myride
9	99-5107	6	Nut-Lock	32	117-2382	2	Plug-Plastic
10	131-4699	2	Washer-Plastic	33	130-0733	4	Pad-Rubber
11	131-6348	2	Bolt-Shoulder	34	104-8301	5	Nut-HF, NI
12	133-1815	2	Shock/Spring ASM	35	104-8300	9	Nut-HF, NI
13	136-9017	2	Cam Lock ASM	36	3230-10	4	Bolt-CARR
14	3296-45	2	Nut-Hex	37	119-0395-03	1	Adapter-Captive
15	136-5636	2	Knob-Lock, Cam	38	107069	2	Clip
16	136-1719	1	Shock ASM-Front	39	3256-60	2	Washer-Flat
16	136-8993	1	Shock/Spring ASM	40	32115-15	2	Nut-Push
17	3231-22	3	Screw-CARR	41	3274-69	2	Screw-HSBH
18	133-5109	2	Bearing-Sleeve	42	115-9625	1	Decal-Brake, Parking

# Mainframe and Muffler Guard Assembly

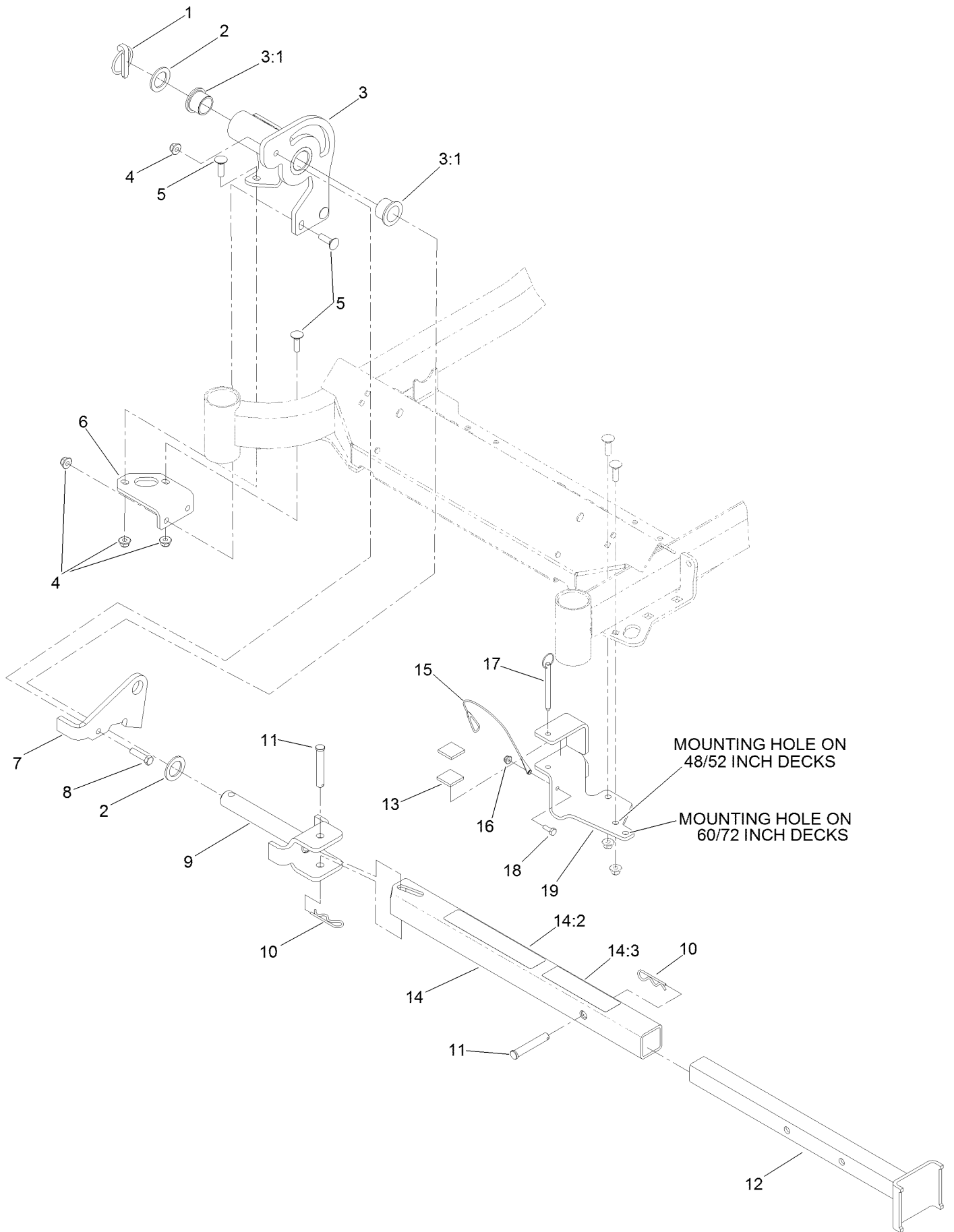


## Mainframe and Muffler Guard Assembly (continued)

<i>Ref.</i>	<i>Part Number</i>	<i>Qty.</i>	<i>Description</i>	<i>Ref.</i>	<i>Part Number</i>	<i>Qty.</i>	<i>Description</i>
1	142-7272	1	Mainframe Service ASM - 48/52	12	131-4610	1	LH Motion Control Cover ASM
1:2	132-0871	1	Decal-Danger	12:2	99-8936	1	Decal-Control, Motion
1:3	106-5517	2	Decal-Warning	12:3	136-8967	1	Flap-Rubber
1:4	106-2655	2	Decal-Hazard, Pinched Finger	13	117-0908-03	1	Guard-Muffler
1:5	133-8062	1	Decal-Arrestor, Spark	15	32144-10	4	Screw-HWH
2	115-7410	1	Rear Guard ASM	16	140-1215	1	Decal-Console
2:2	67-7320	1	Decal	17	136-1674-01	2	Plate-Mount, Shock
3	131-8834	2	Bumper	20	107-3154	2	Nut-Push
4	104-7201	2	Nut-HF, NI	22	1-543508	4	Cup-Bearing
5	1-811010	2	Plug	23	127-0324-03	1	Strap
6	116-0180	1	LH Bumper ASM	24	3231-25	3	Bolt-CARR
6:2	106-5517	1	Decal-Warning	26		1	Z Stand ASM ●
7	116-0057-03	1	Bumper-RH	28	131-6327-01	1	Mount-Lower
8	104-8301	15	Nut-HF, NI	29	104-8300	7	Nut-HF, NI
9	3231-22	9	Screw-CARR	30	127-6766	1	LH Plate ASM (W/Studs)
10	3231-21	3	Screw-CARR	31	322-3	3	Screw-HH
11	131-4615	1	RH Motion Control Cover ASM	32	3230-23	2	Bolt-CARR
11:2	99-8936	1	Decal-Control, Motion	33	127-6765	1	RH Plate ASM (W/Studs)
11:3	136-8967	1	Flap-Rubber	34	3230-3	2	Screw-CARR
				35	142-6404-01	1	Battery Mount ASM [red]

● Not serviced separately

# Z Stand Assembly

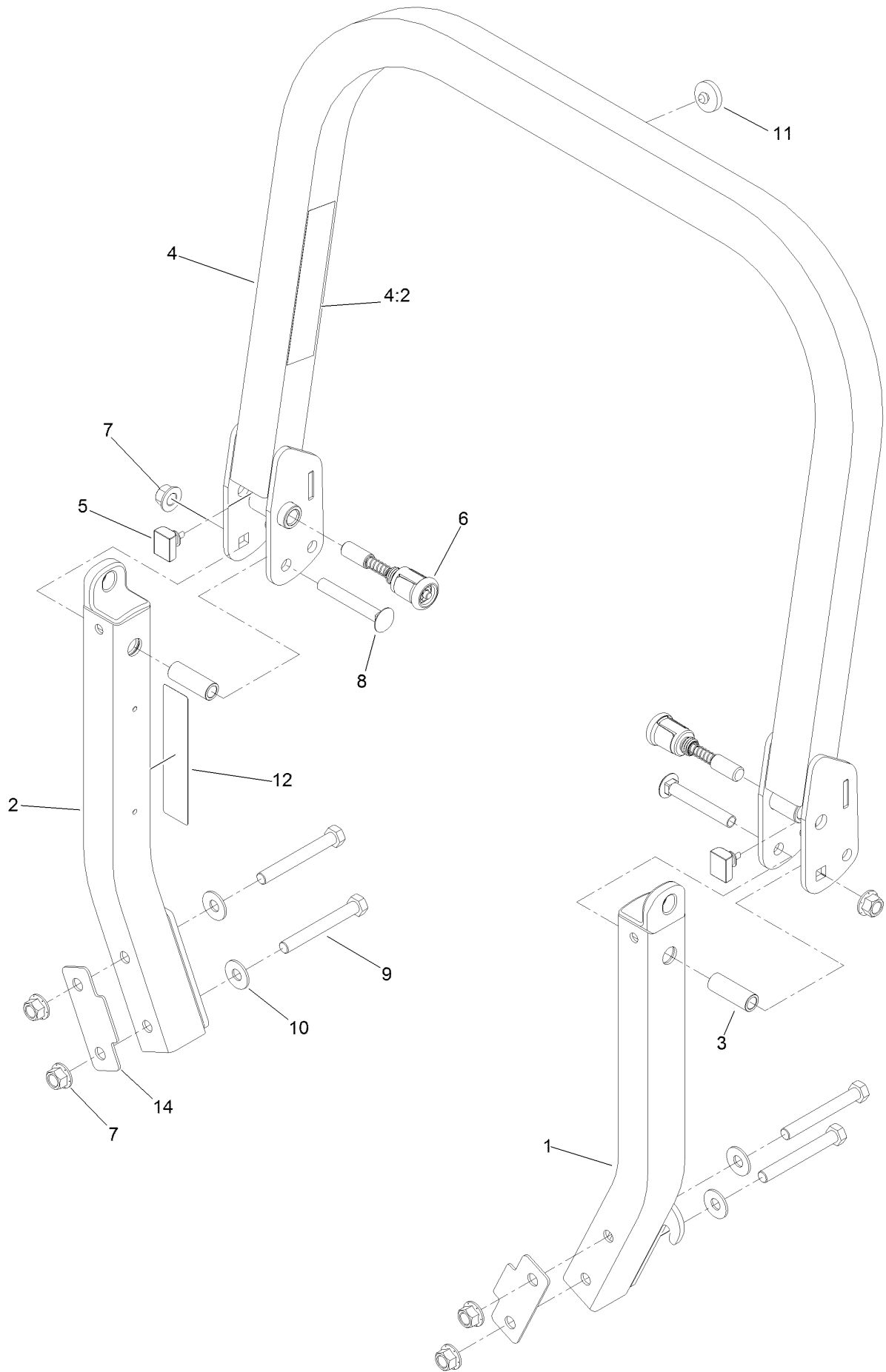




## Z Stand Assembly (continued)

<i>Ref.</i>	<i>Part Number</i>	<i>Qty.</i>	<i>Description</i>	<i>Ref.</i>	<i>Part Number</i>	<i>Qty.</i>	<i>Description</i>
1	283-71	1	Pin-Lynch	11	283-55	2	Pin-Clevis
2	3-6781	2	Washer-Flat	12	115-3631-01	1	Tube-Inner
3	136-1669	1	Pivot Plate ASM	13	115-3613	2	Cushion-Rubber
3:1	94-1291	2	Bushing	14	115-3634	1	Outer Tube ASM
4	104-8301	8	Nut-HF, NI	14:2	106-7464	1	Decal-Z Stand
5	3231-25	7	Bolt-CARR	14:3	107-3969	1	Decal-Warning
6	115-3619-01	1	Bracket-Mount, Pivot	15	100-9385	1	Lanyard-Nylon
7	136-1657-01	1	Plate-Latch	16	104-7201	1	Nut-HF, NI
8	323-8	1	Screw-HH	17	105-1647	1	Pin-Hitch, Cotterless
9	100-9692-01	1	Pin-Pivot	18	321-4	1	Screw-HH
10	3290-355	2	Pin-Hair	19	115-3625-01	1	Cradle-Z Stand

# Roll-Over Protection System Assembly No. 116-0232

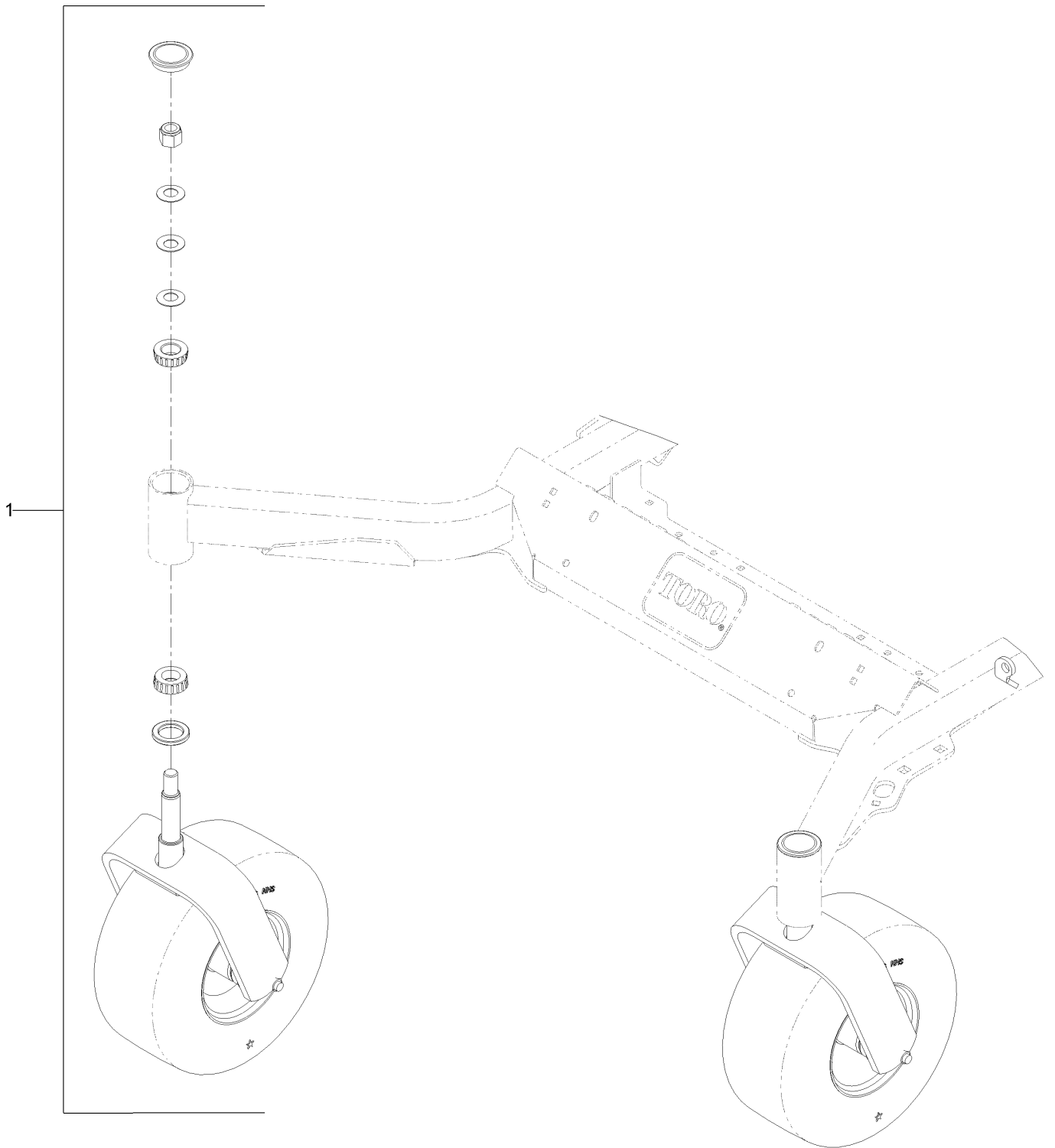


# Roll-Over Protection System Assembly No. 116-0232 (continued)

<i>Ref.</i>	<i>Part Number</i>	<i>Qty.</i>	<i>Description</i>	<i>Ref.</i>	<i>Part Number</i>	<i>Qty.</i>	<i>Description</i>
1		1	Leg-ROPS, LH ●	7	99-5107	8	Nut-Lock
2		1	Leg-ROPS, RH ●	8	3233-10	2	Screw-CARR
3	109-6653	2	Spacer	9	325-35	4	Screw-HH
4		1	Upper ROPS ASM ●	10	109-9505	4	Washer-Spring
4:2	107-3069	1	Decal-Warning	11	109-9233	1	Bumper-Push-In, Rubber
5	109-5337	2	Bumper-ROPS	12	117-0346	1	Decal-Caution, Fuel Vent
6	116-0104	2	Pin-Spring	14	116-0960	2	Spacer

● Not serviced separately

# Front Caster and Fork Assembly

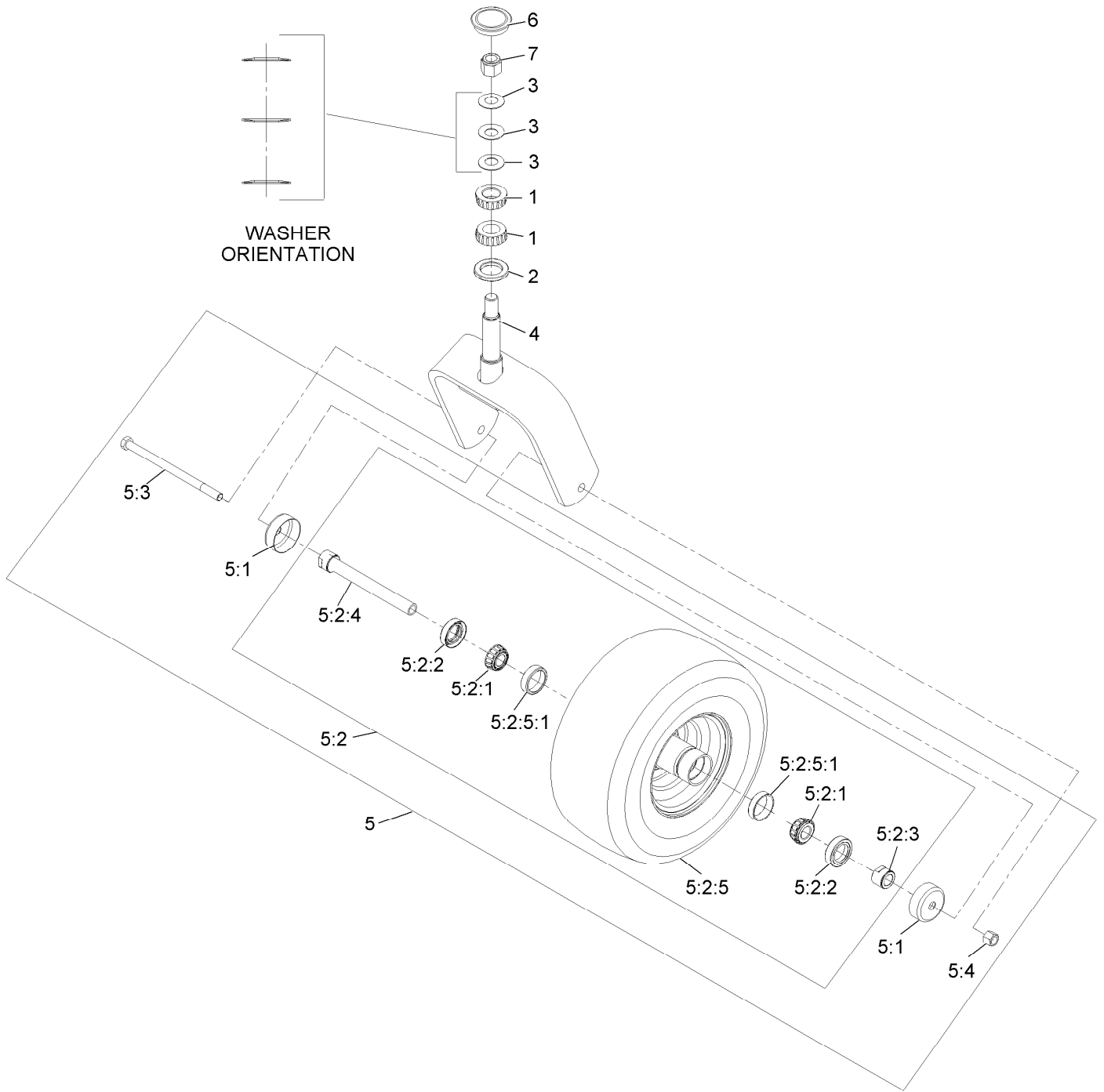


# Front Caster and Fork Assembly (continued)

<i>Ref.</i>	<i>Part Number</i>	<i>Qty.</i>	<i>Description</i>
1		2	Caster Wheel ASM ●

● Not serviced separately

# Caster Wheel and Fork Assembly



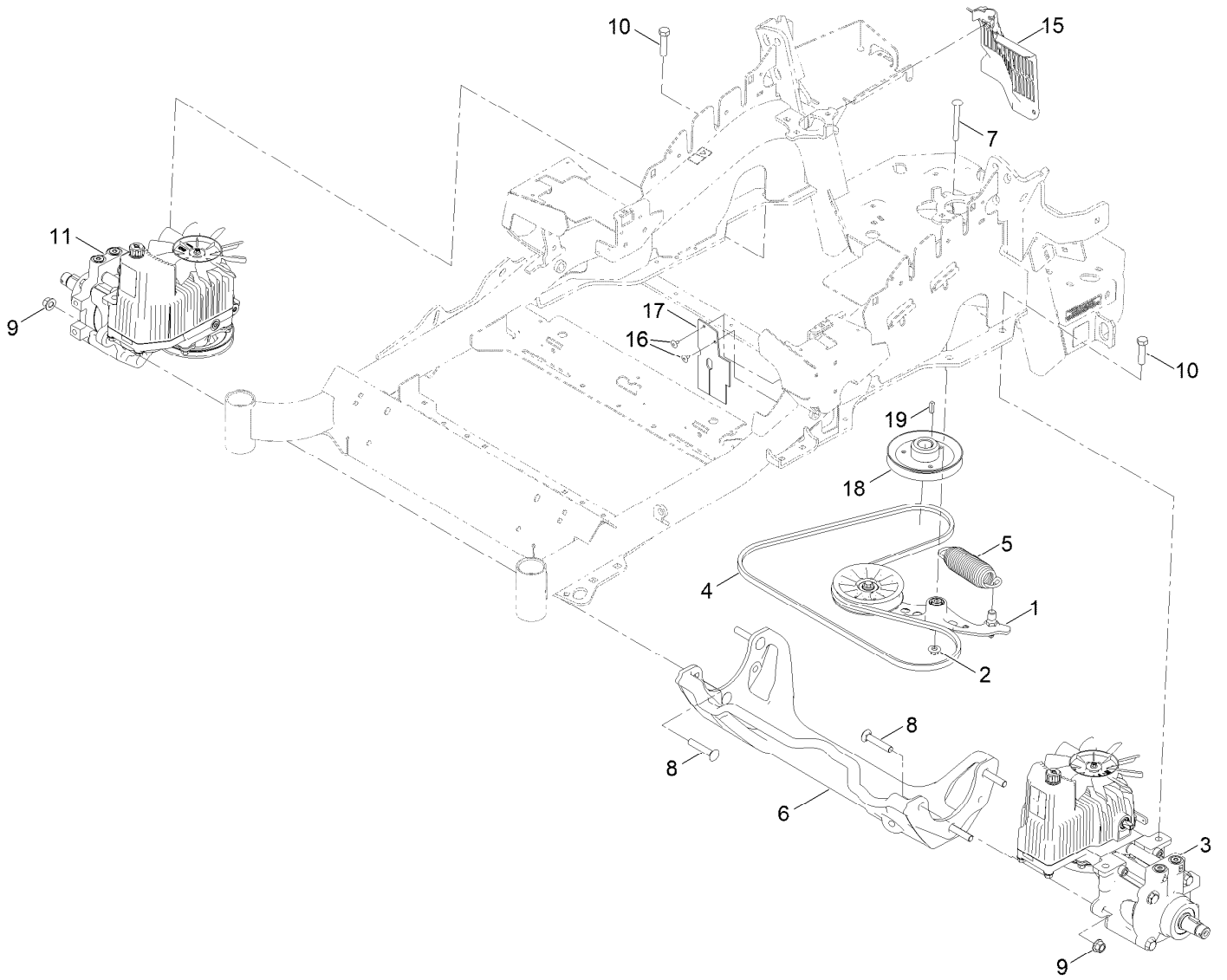
## Caster Wheel and Fork Assembly (continued)

<i>Ref.</i>	<i>Part Number</i>	<i>Qty.</i>	<i>Description</i>	<i>Ref.</i>	<i>Part Number</i>	<i>Qty.</i>	<i>Description</i>
1	1-543509	2	Bearing-Roller, Tapered	5:2:3	103-3051	1	Spacer-Nut ■
2	116-5647	1	Seal-Grease	5:2:4	126-5361	1	Axle Caster ASM
3	1-633508	3	Washer-Bellville	5:2:5		1	Wheel And Tire ASM ●
4	116-6707-01	1	Caster	5:2:5:1	1-633584	2	Bearing-Cup
5	109-9127	1	Wheel & Tire ASM	5:3	325-39	1	Screw-HH
5:1	103-2768	2	Guard-Seal	5:4	3296-23	1	Nut-Lock, NI
5:2		1	Wheel And Tire ASM ●	6	103-4882	1	Cap-Grease
5:2:1	1-633585	2	Bearing-Cone, Taper	7	3296-51	1	Nut-Lock, NI
5:2:2	103-0063	2	Seal-Caster				

● Not serviced separately

■ Use Pro-Lock, Nut Type (P/N 1-840022, .5ml tube) on threads.

# Hydraulic Drive Assembly



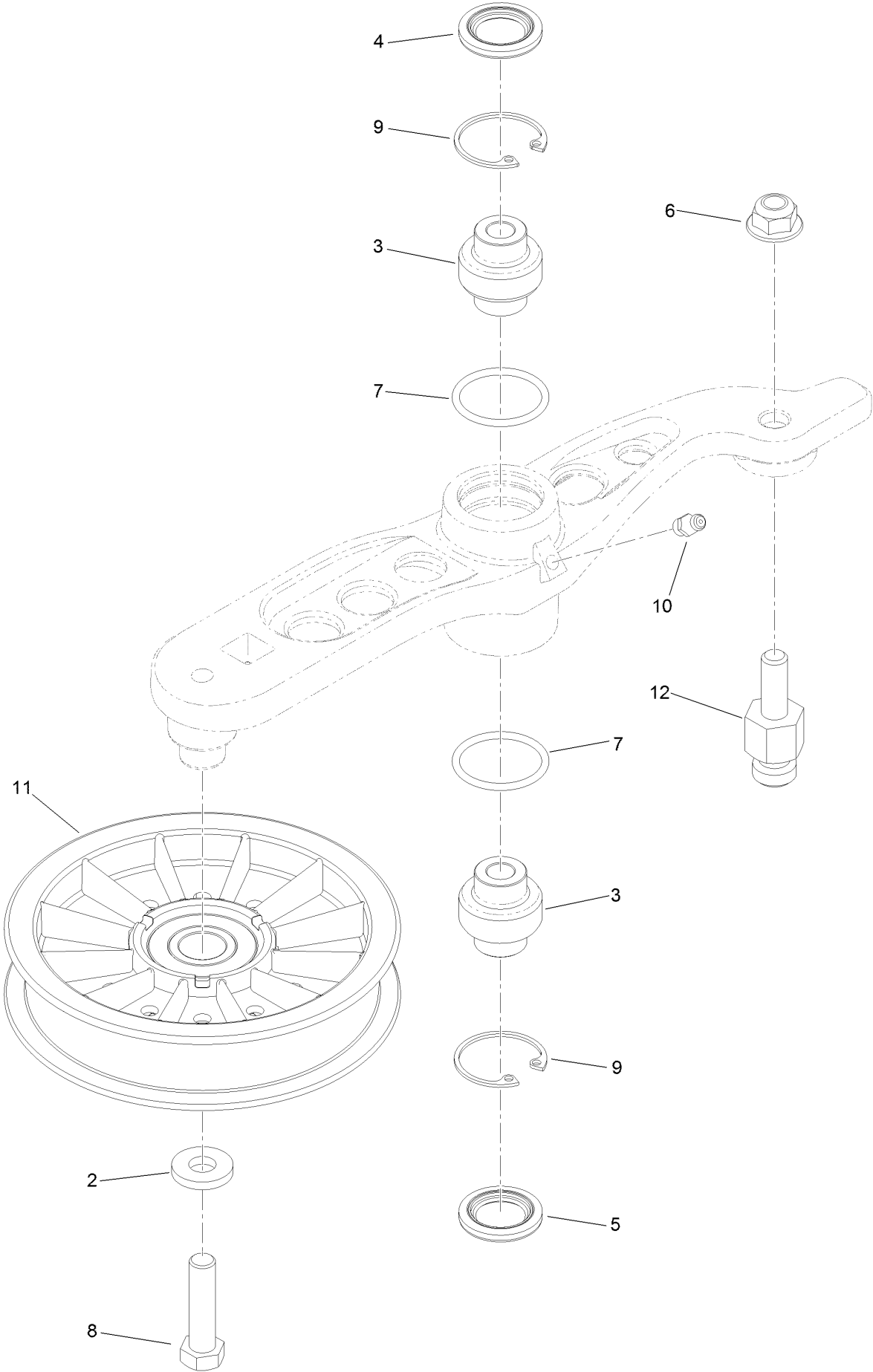


## Hydraulic Drive Assembly (continued)

<i>Ref.</i>	<i>Part Number</i>	<i>Qty.</i>	<i>Description</i>	<i>Ref.</i>	<i>Part Number</i>	<i>Qty.</i>	<i>Description</i>
1	116-1255	1	Pump Idler ASM	11	135-7900	1	Hydro-RH
2	109-6658	1	Nut-Flange, NI	15	109-9058	1	Guard-Hydro, Rear (RH)
3	135-7899	1	Hydro-LH	16	1-803035	2	Rivet-Pop
4	126-9835	1	Belt-V	17	116-2362	1	Deflector-Air Flow
5	116-6317	1	Spring-Extension	18	142-9445	1	Sheave, W/Hub
6	116-7558	1	Cradle-Hydro	19	1-807259	1	Key
7	116-1502	1	Bolt-Shoulder, Carriage	99	114-4713	1	Hypr-Oil 500 (Quart) ●
8	126-0095	6	Screw-CARR	99	114-4714	1	Hypr-Oil 500 (Gallon) ●
9	99-5107	6	Nut-Lock	99	114-4715	1	Hypr-Oil 500-5 (5 Gallon) ●
10	325-8	4	Screw-HH	99	117-0390	1	Filter-Hydro ●

● Not illustrated

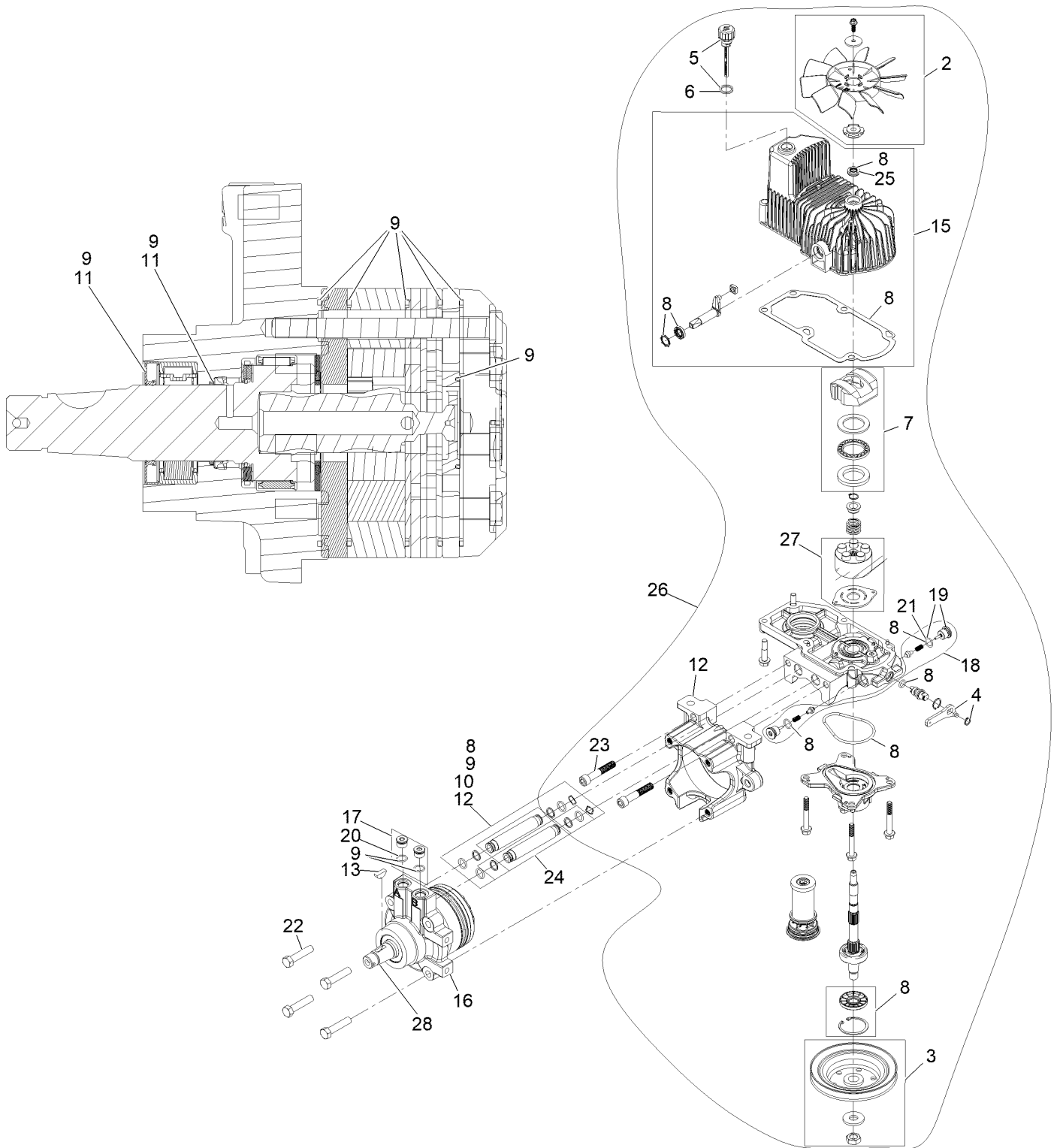
# Pump Idler Assembly No. 116-1255



## Pump Idler Assembly No. 116-1255 (continued)

<i>Ref.</i>	<i>Part Number</i>	<i>Qty.</i>	<i>Description</i>	<i>Ref.</i>	<i>Part Number</i>	<i>Qty.</i>	<i>Description</i>
2	43-0940	1	Spacer	8	323-8	1	Screw-HH
3	103-3504	2	Bearing-Spherical	9	32120-10	2	Ring-Snap
4	103-3505	1	Seal-Lip, Double	10	302-19	1	Fitting-Grease
5	103-3506	1	Seal-Lip, Single	11	109-8076	1	Pulley-Idler
6	109-6658	1	Nut-Flange, NI	12	132-4724	1	Pin-Anchor, Spring
7	106-7159	2	O-Ring				

# LH Hydro Assembly No. 135-7899

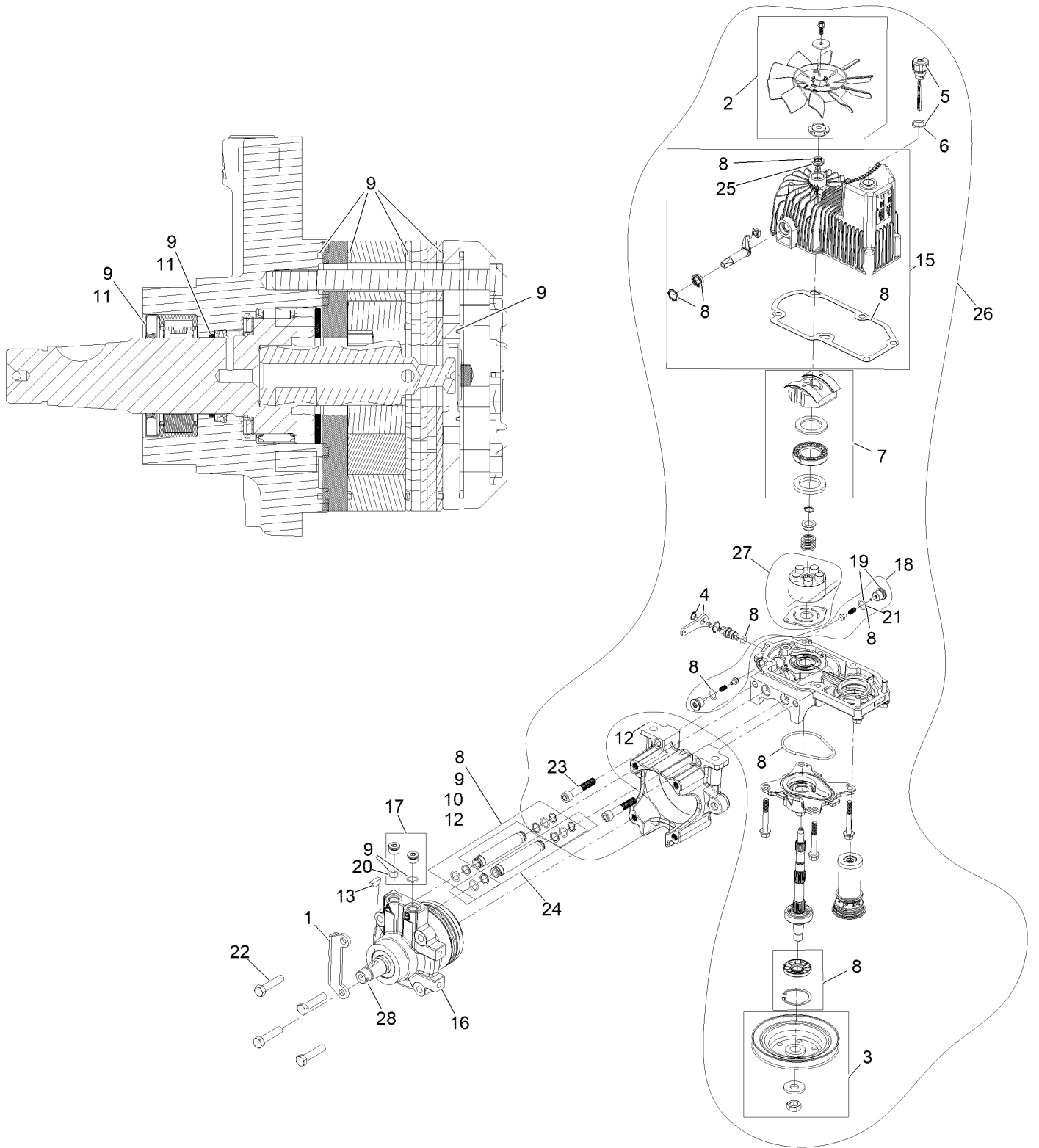


## LH Hydro Assembly No. 135-7899 (continued)

<i>Ref.</i>	<i>Part Number</i>	<i>Qty.</i>	<i>Description</i>	<i>Ref.</i>	<i>Part Number</i>	<i>Qty.</i>	<i>Description</i>
2	142-3603	1	Kit, 7.8 In Fan	18	142-3605	1	ASM, Check Valve
3	116-0234	1	Pulley Kit	19	116-1631	2	Plug-Check (W/O-Ring)
4	116-0235	1	Handle	20	76-1900	2	O-Ring
5	116-0236	1	Dipstick	21	116-8662	2	O-Ring-Valve, Check
6	116-0237	1	Gasket	22	116-8974	4	Screw HH
7	116-1367	1	Swash Block Kit	23	116-8975	2	Screw-HSH
8	142-3604	1	Kit, Pump Seal	24	116-9922	2	Hydraulic Tube Kit
9	116-1369	1	Motor Seal Kit	25	126-7711	1	Seal-Drive, Fan
10	116-1370	1	Tube Seal Kit	26	142-3609	1	Kit, Pump Section 12Cc LH
11	116-1371	1	Output Shaft Seal Kit	27	142-4500	1	Kit - 12Cc Port Plate, Rotate Grp
12	116-5469	1	Cup-Nose				
13	3257-42	1	Key-Woodruff	28	146-3749	1	Output Shaft- TI Uht Motor
15	142-4460	1	Kit, Housing-Hydro LH	99	116-1373	1	Flow Test Kit ●
16	116-8915	1	Motor-Hydraulic	99	116-4245	1	Puller-Pulley ●
17	116-7901	1	Magnetic Plugs Service Kit				

● Not illustrated

# RH Hydro Assembly No. 135-7900

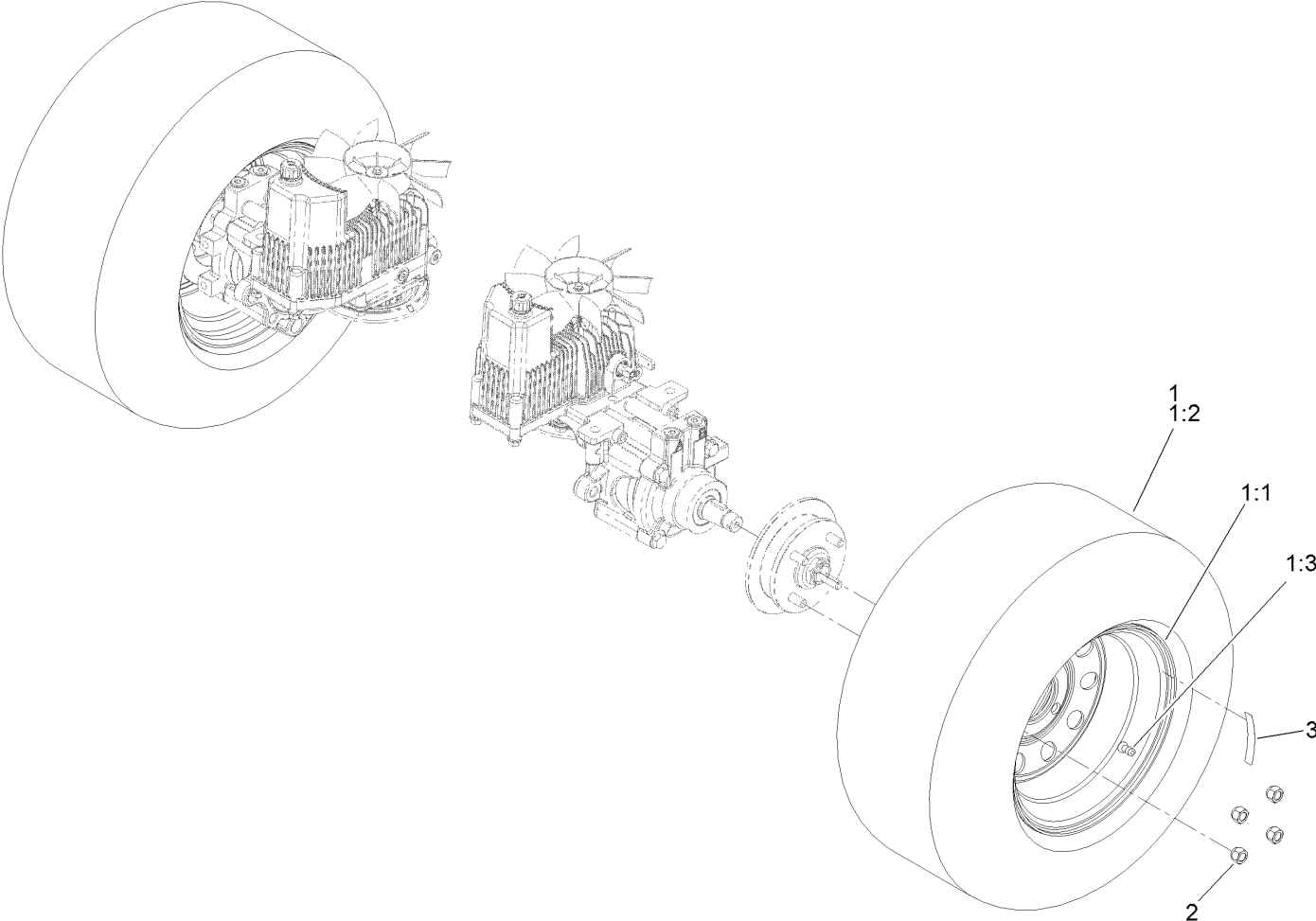


## RH Hydro Assembly No. 135-7900 (continued)

<i>Ref.</i>	<i>Part Number</i>	<i>Qty.</i>	<i>Description</i>	<i>Ref.</i>	<i>Part Number</i>	<i>Qty.</i>	<i>Description</i>
1	135-7827	1	Plate, Horse Shoe Mount	17	116-7901	1	Magnetic Plugs Service Kit
2	142-3603	1	Kit, 7.8 In Fan	18	142-3605	1	ASM, Check Valve
3	116-0234	1	Pulley Kit	19	116-1631	2	Plug-Check (W/O-Ring)
4	116-0235	1	Handle	20	76-1900	2	O-Ring
5	116-0236	1	Dipstick	21	116-8662	2	O-Ring-Valve, Check
6	116-0237	1	Gasket	22	116-8974	4	Screw HH
7	116-1367	1	Swash Block Kit	23	116-8975	2	Screw-HSH
8	142-3604	1	Kit, Pump Seal	24	116-9922	2	Hydraulic Tube Kit
9	116-1369	1	Motor Seal Kit	25	126-7711	1	Seal-Drive, Fan
10	116-1370	1	Tube Seal Kit	26	142-3608	1	Kit, Pump Section 12Cc RH
11	116-1371	1	Output Shaft Seal Kit	27	142-4500	1	Kit - 12Cc Port Plate, Rotate Grp
12	116-5469	1	Cup-Nose				
13	3257-42	1	Key-Woodruff	28	146-3749	1	Output Shaft- TI Uht Motor
15	142-4461	1	Kit, Housing-Hydro RH	99	116-1373	1	Flow Test Kit ●
16	116-8916	1	Motor-Hydraulic RH 240Cc	99	116-4245	1	Puller-Pulley ●

● Not illustrated

# Rear Wheel Assembly

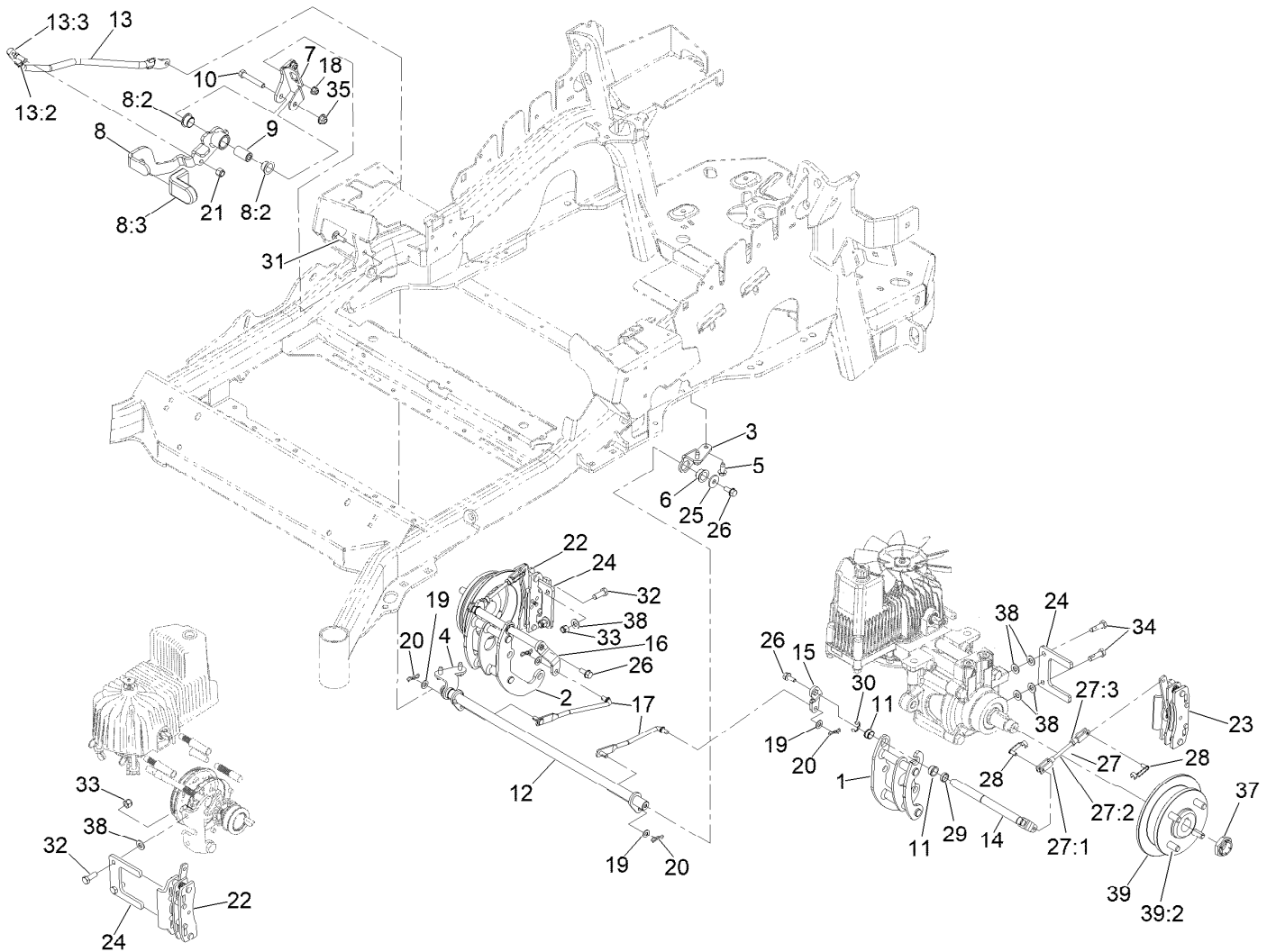




## Rear Wheel Assembly (continued)

<i>Ref.</i>	<i>Part Number</i>	<i>Qty.</i>	<i>Description</i>	<i>Ref.</i>	<i>Part Number</i>	<i>Qty.</i>	<i>Description</i>
1	127-9544	2	Wheel And Tire ASM	2	242-50	8	Nut-Lug
1:1	127-9523	1	Tire	3	126-2055	2	Decal-Torque, Wheel Hub Lug
1:2	109-2875	1	Rim ASM				
1:3	232-27	1	Stem-Valve				

# Park Brake Assembly

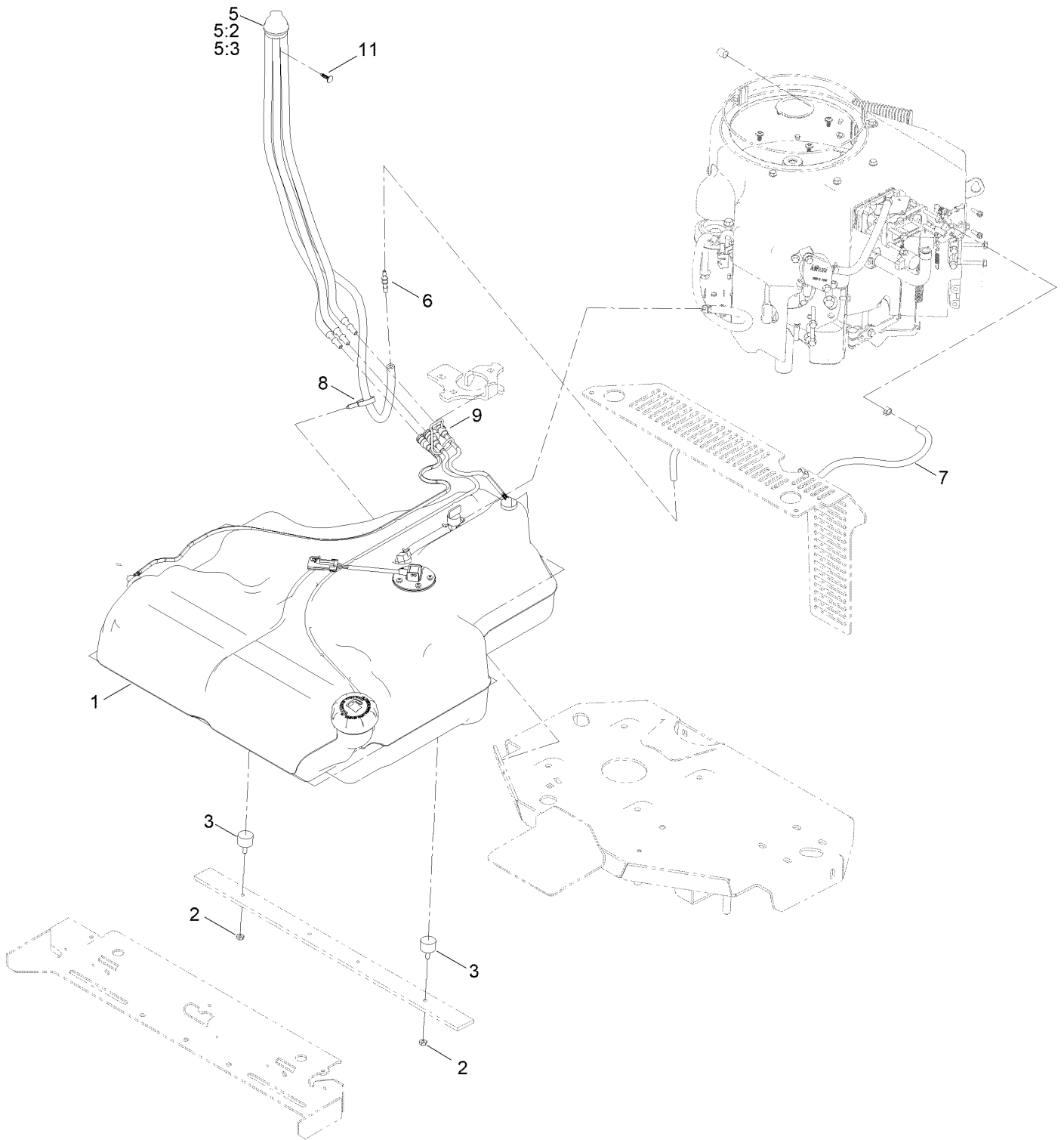


REAR VIEW OF  
RIGHT HAND HYDRO.

## Park Brake Assembly (continued)

<i>Ref.</i>	<i>Part Number</i>	<i>Qty.</i>	<i>Description</i>	<i>Ref.</i>	<i>Part Number</i>	<i>Qty.</i>	<i>Description</i>
1	126-4248	1	Mount-Bellcrank, LH	20	119-1415	4	Pin-Cotter, Locking
2	126-4249	1	Mount-Bellcrank, RH	21	3296-6	1	Nut-Lock
3	116-9681	1	Mount-Pivot, LH	22	135-7440	1	Caliper-Brake, RH
4	116-9682	1	Mount-Pivot, RH	23	135-7441	1	Caliper-Brake, LH
5	32144-70	4	Screw-HWHTF	24	135-7828	2	Plate-Mount, Brake
6	109-8054	2	Bushing-Flange	25	115-7109	2	Washer-Flat
7	116-9096-01	1	Bracket-Mount	26	98-9940	4	Screw-HHF
8	135-7982	1	Brake Lever ASM W/Grip M-R	27	126-7587	2	Rear Linkage ASM
8:2	109-8054	2	Bushing-Flange	27:1	126-7588	2	Yoke
8:3	132-4749	1	Grip-Lever	27:2	116-9069	1	Linkage, Rear
9	116-9117	1	Pivot-Handle, Brake	27:3	3220-1	1	Nut-Jam
10	323-11	1	Screw-HH	28	126-6395	4	Pin-Clevis, Spring
11	126-6199	4	Bushing	29	126-6200	2	Spacer
12	135-7800	1	Shaft-Cross	30	32120-19	2	E-Ring
13	135-7805	1	ASM, Front Linkage	31	3230-2	2	Bolt-CARR
13:2	94-7572	1	End-Tie Rod, RH	32	135-7915	2	Screw-HH,
13:3	3220-3	1	Nut-HJ	33	112-0236	2	Nut-Lock
14	126-4251	2	Bellcrank	34	135-7890	2	Screw-HH, Patch,
15	126-3716	1	Arm-Inner, RH	35	104-8301	1	Nut-HF, NI
16	126-3715	1	Arm-Inner, LH	37	116-1399	2	Locknut
17	142-6327	2	Mid-Link, Long	38	3256-24	6	Washer-Plain
18	104-8300	2	Nut-HF, NI	39	142-2701	2	Wheel Hub ASM
19	3256-23	4	Washer-Plain	39:2	116-1696	4	Stud-Wheel

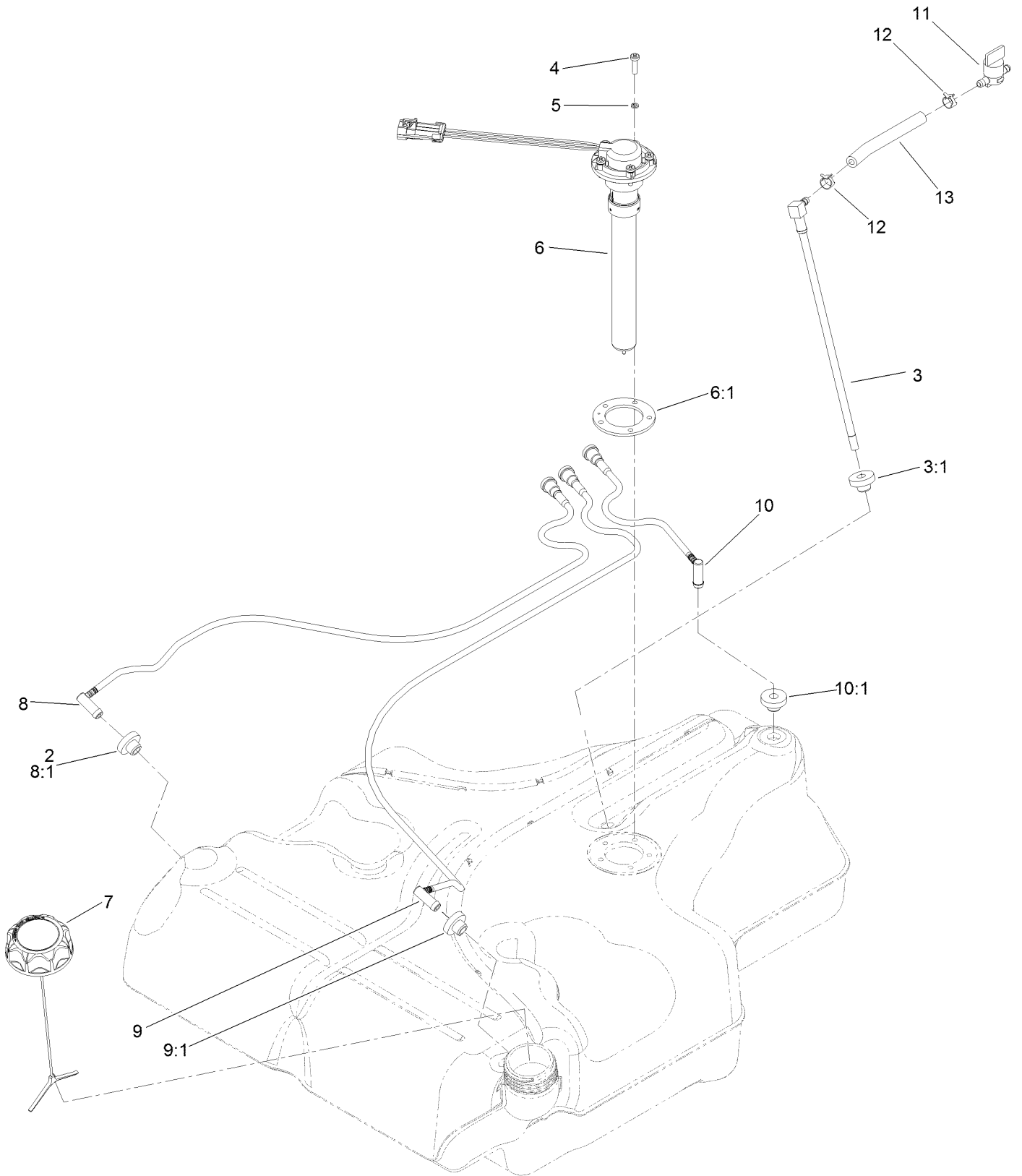
# Fuel Tank Assembly



## Fuel Tank Assembly (continued)

<i>Ref.</i>	<i>Part Number</i>	<i>Qty.</i>	<i>Description</i>	<i>Ref.</i>	<i>Part Number</i>	<i>Qty.</i>	<i>Description</i>
1	135-0643	1	Fuel Tank ASM	6	135-5678	1	Barb-Fuel
2	3218-1	2	Nut-Jam	7	140-4956	1	Hose-Fuel
3	1-523420	2	Bumper	8	105-1853	1	Clamp-Hose
5	127-0583	1	Fuel Manifold Vent ASM	9	116-6005	1	Retainer-Line, Vapor
5:2	109-0302	3	Hose-Fuel	11	125-8067	1	Plug-Plastic
5:3	108-5376	1	Hose-Fuel				

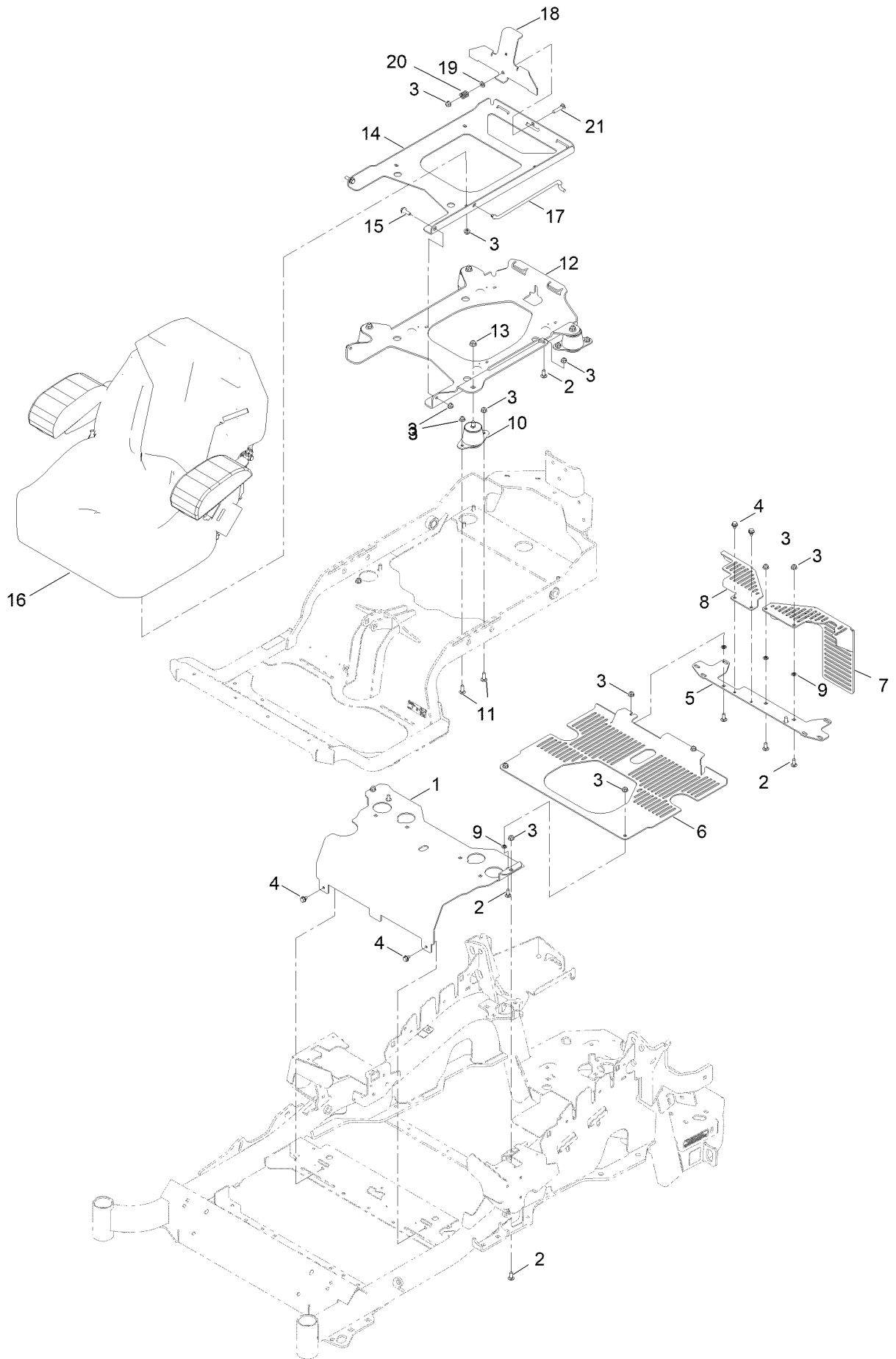
# Fuel Tank Assembly-Lazer 135-0643



## Fuel Tank Assembly-Lazer 135-0643 (continued)

<i>Ref.</i>	<i>Part Number</i>	<i>Qty.</i>	<i>Description</i>	<i>Ref.</i>	<i>Part Number</i>	<i>Qty.</i>	<i>Description</i>
2	46-6560	4	Bushing	8:1	46-6560	1	Bushing
3	116-2459	1	Fuel Line Kit (With Grommet)	9	116-2461	1	LH Vent Line Kit (With Grommet)
3:1	46-6560	1	Bushing	9:1	46-6560	1	Bushing
4	3290-500	5	Screw-PPH	10	116-2462	1	Rear Vent Line Kit (With Grommet)
5	3253-17	5	Washer-Lock				
6	126-3913	1	Float-Sender, Fuel	10:1	46-6560	1	Bushing
6:1	126-3950	1	Gasket-Sender	11	1-603770	1	Valve-Fuel
7	126-1789	1	Cap-Fuel, Ratcheting	12	2412-98	2	Clamp-Hose
8	116-2460	1	RH Vent Line Kit (With Grommet)	13	109-0650	1	Hose-Fuel

# Seat Mounting Assembly

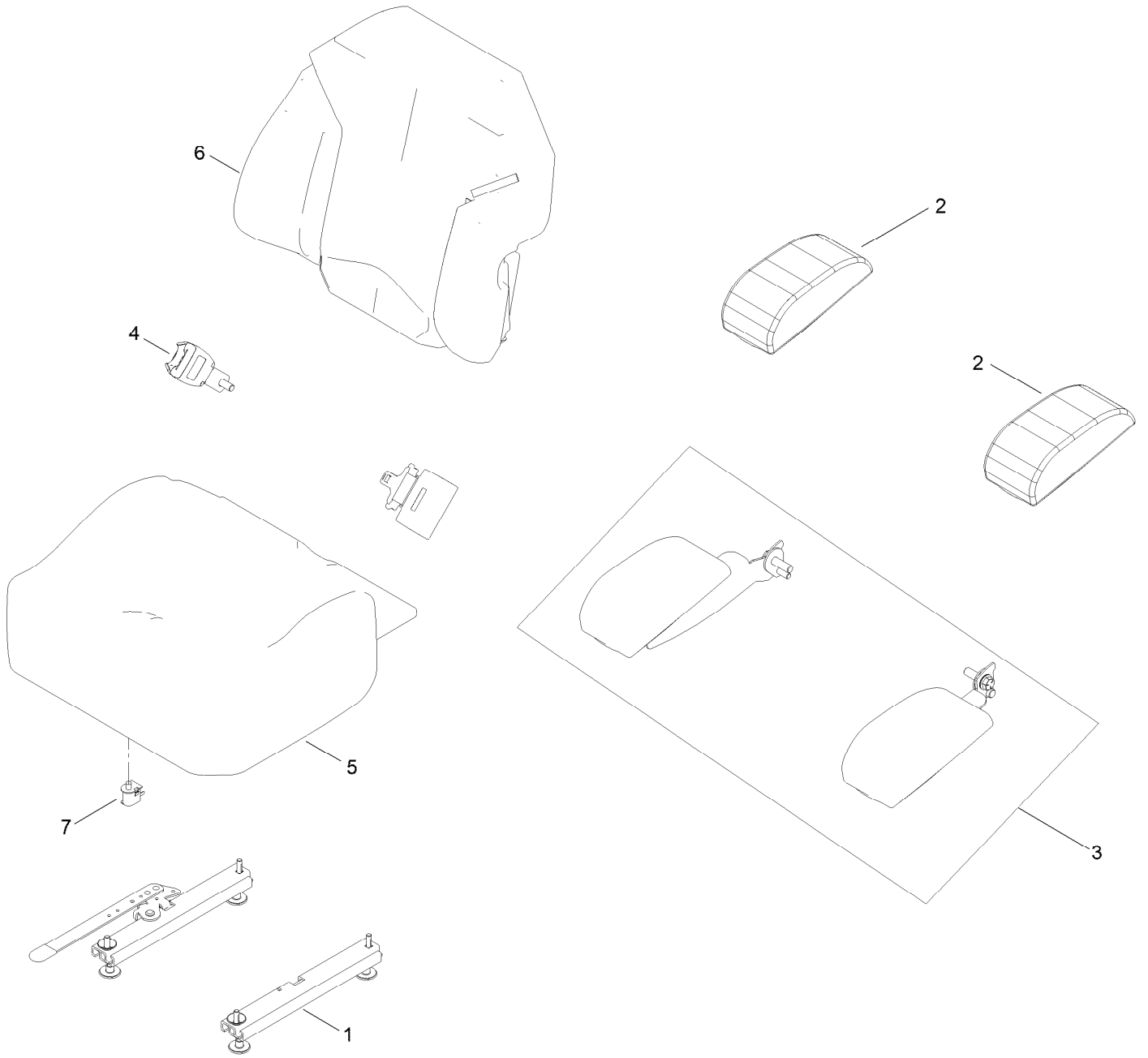




## Seat Mounting Assembly (continued)

<i>Ref.</i>	<i>Part Number</i>	<i>Qty.</i>	<i>Description</i>	<i>Ref.</i>	<i>Part Number</i>	<i>Qty.</i>	<i>Description</i>
1	116-2130-03	1	Panel-Front, Seat Mount	12	131-6324-03	1	Plate-Support, ISO Seat
2	3230-23	9	Bolt-CARR	13	104-8301	4	Nut-HF, NI
3	104-8300	24	Nut-HF, NI	14	116-3859-03	1	Plate-Frame, Seat
4	9266934	4	Screw	15	116-1297	2	Screw-Shoulder
5	133-1885-03	1	Plate-Mounting	16	147-4983	1	Seat-Standard
6	133-1833-03	1	Guard-Hydro	17	116-0070	1	Rod-Prop
7	133-1835-03	1	Guard-Hydro, Left Rear	18	132-5088-03	1	Plate-Latch, Seat
8	133-1836-03	1	Guard-Hydro, Right Rear	19	3256-23	1	Washer-Plain
9	109-5667	6	Nut-Push	20	107-3017	1	Spring-Compression
10	109-9034	4	Isolator-Seat	21	3230-4	1	Bolt-CARR
11	3230-10	8	Bolt-CARR				

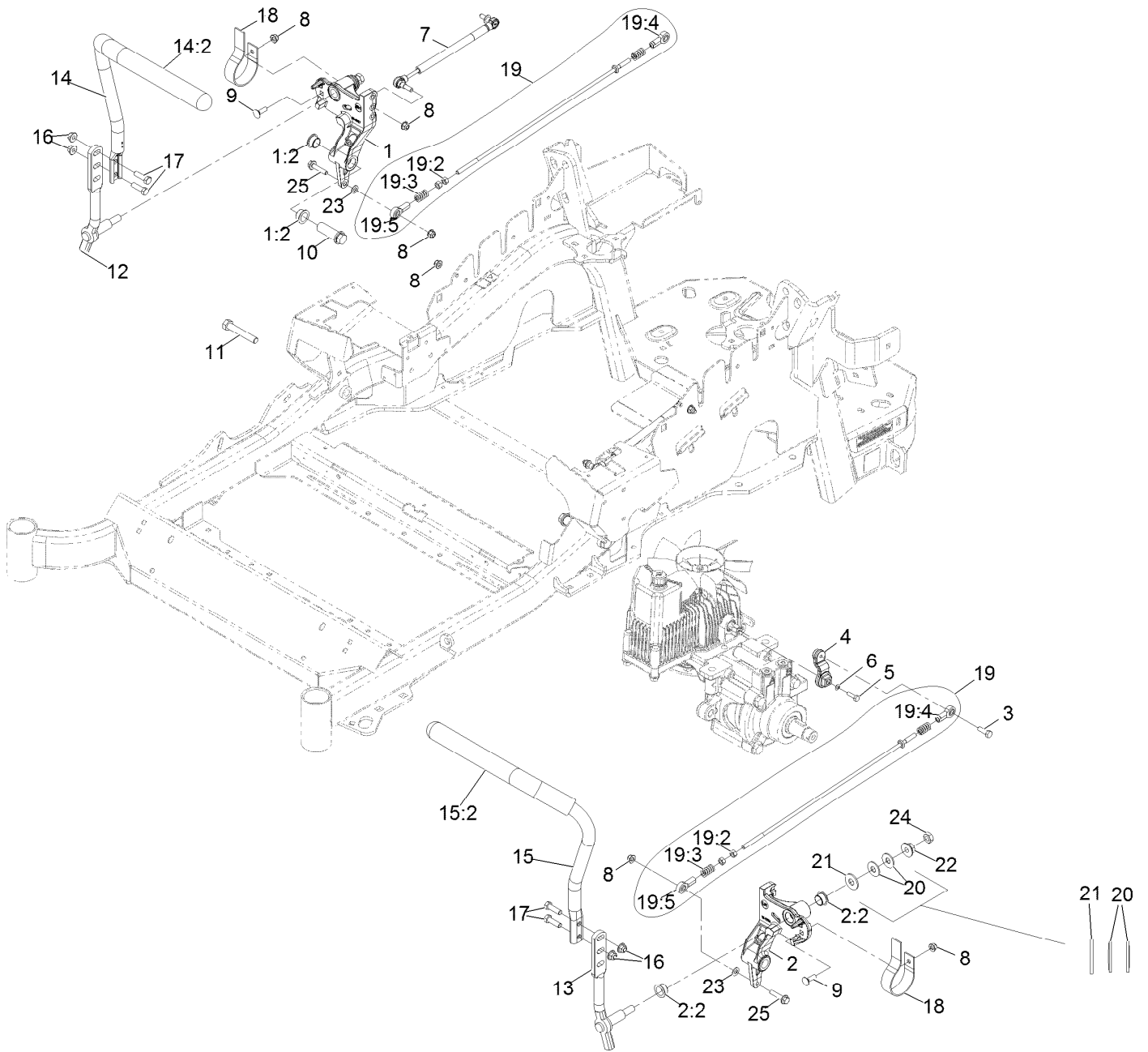
# Seat Assembly No. 147-4983



## Seat Assembly No. 147-4983 (continued)

<i>Ref.</i>	<i>Part Number</i>	<i>Qty.</i>	<i>Description</i>	<i>Ref.</i>	<i>Part Number</i>	<i>Qty.</i>	<i>Description</i>
1	147-7883	1	Seat Track Kit	5	140-8006	1	Cover-Cushion
2	109-9802	1	Arm Rest Pad Set	6	140-8004	1	Cover-Back
3	147-4985	1	Armrest Kit	7	82-2190	1	Switch-Bail
4	109-9805	1	Seat Belt Kit				

# Motion Control Assembly

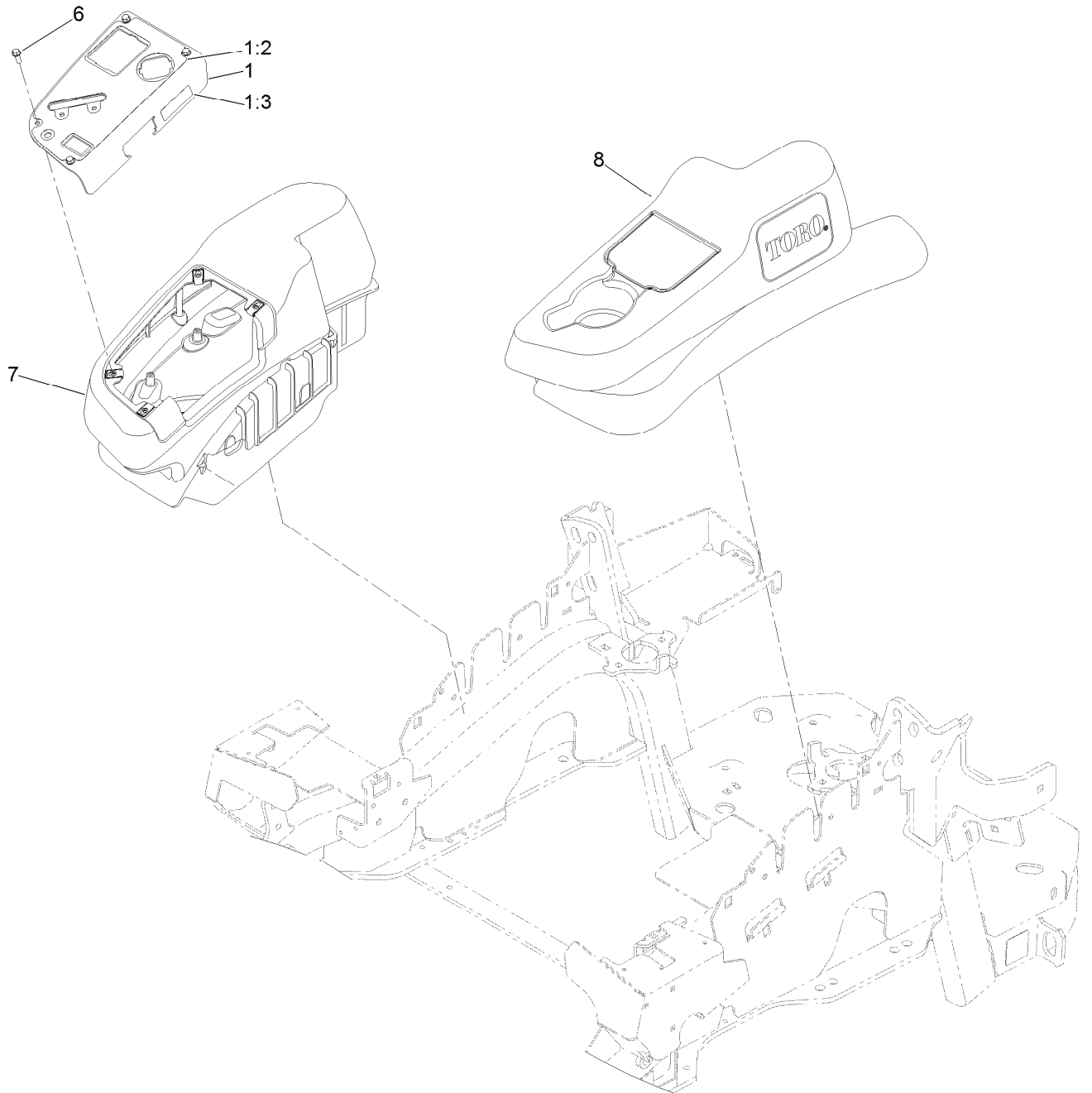


## Motion Control Assembly (continued)

<i>Ref.</i>	<i>Part Number</i>	<i>Qty.</i>	<i>Description</i>	<i>Ref.</i>	<i>Part Number</i>	<i>Qty.</i>	<i>Description</i>
1	116-0880	1	RH Motion Control And Bushing ASM	14:2	109-5668	1	Grip-Lever, Control
1:2	109-8054	4	Bushing-Flanged	15	135-4476	1	ASM-Handle-LH
2	116-0881	1	LH Motion Control And Bushing ASM	15:2	109-5668	1	Grip-Lever, Control
2:2	109-8054	4	Bushing-Flanged	16	104-8301	4	Nut-Nyloc 3/8-16 Flg
3	116-0648	2	Screw-HH 5/16-18 X 1 W/Patch ●	17	323-7	4	Screw-HH 3/8-16 X 1 1/4
4	109-4581	2	Arm-Control, Pump	18	109-5575	2	Spring-Leaf
5	9080046	2	Screw-HH 1/4-20 X 7/8 ●	19	109-8107	2	Pump Linkage Rear ASM
6	1-303435	2	Washer-Spring Disc 1/4	19:2	3219-2	2	Nut-Hex 5/16-24
7	116-0027	2	Damper-Control, Motion	19:3	1-323245	2	Spring-Compression
8	104-8300	8	Nut-Nyloc 5/16-18 Flg	19:4	1-633152	1	Balljoint
9	3230-2	2	Bolt-Carriage 5/16-18 X 1	19:5	1-543017	1	Balljoint
10	109-5891	2	Hub-Threaded	20	109-9505	4	Washer, Spring Disc 1/2
11	325-12	2	Screw-HH 1/2-13 X 3	21	3256-6	2	Washer
12	116-0039	1	Lever-Control Motion, RH	22	32128-56	2	Nut-Hex 1/2-13 Flange
13	116-0040	1	Lever-Control Motion, LH	23	3256-23	2	Washer-5/16 SAE
14	135-4727	1	Handle- RH W/Grip	24	3218-5	2	Nut-Jam 1/2-13
				25	115-1794	2	Screw-Hex Flange 5/16-18 X 1 1/2

● Use Pro-Lock, Nut Type (P/N 1-840022, .5ml tube) on threads.

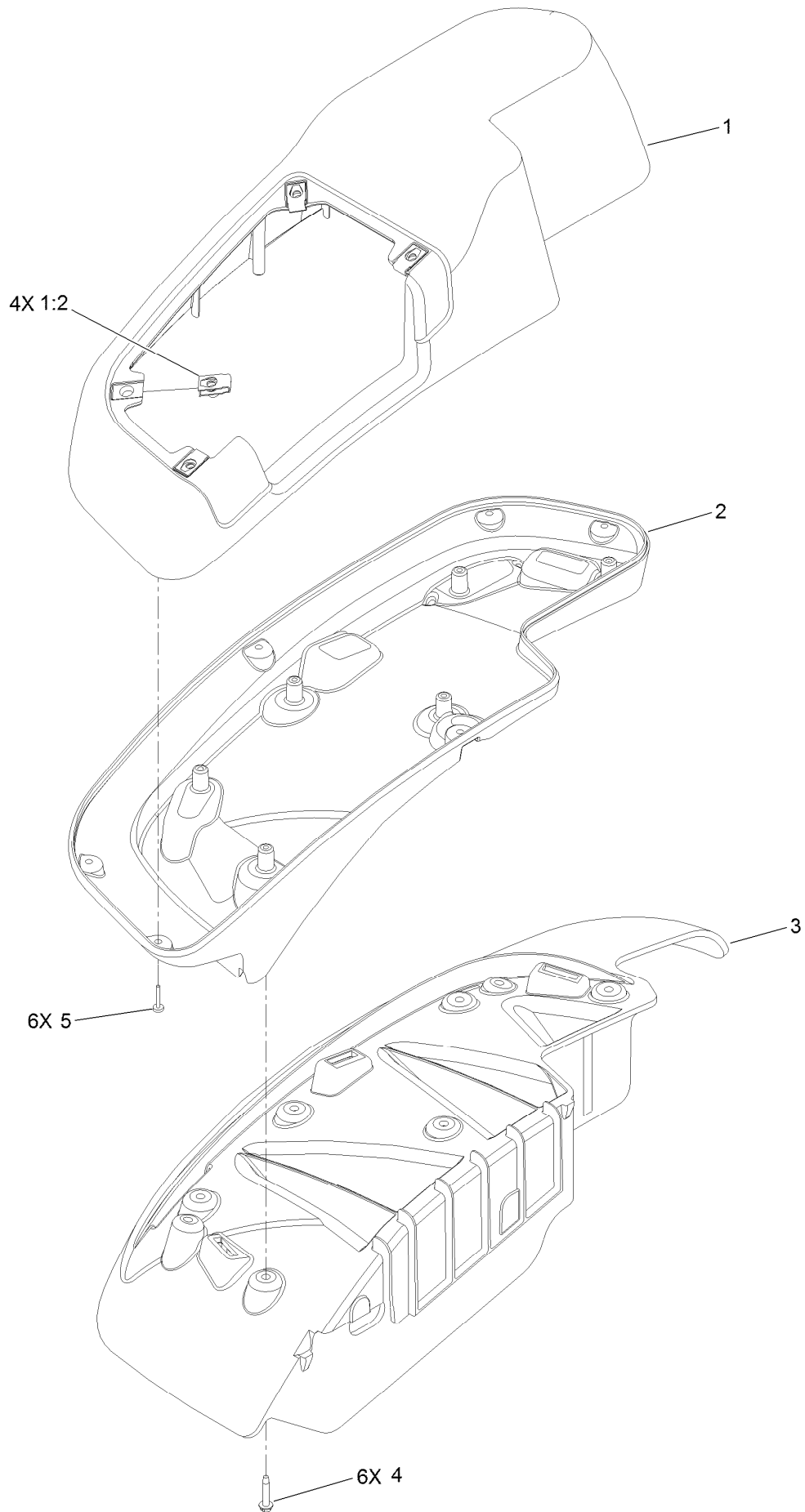
# Console Assembly



## Console Assembly (continued)

<i>Ref.</i>	<i>Part Number</i>	<i>Qty.</i>	<i>Description</i>	<i>Ref.</i>	<i>Part Number</i>	<i>Qty.</i>	<i>Description</i>
1	114-9837	1	Control Panel ASM	7	115-7402	1	RH Narrow Fender/Console ASM
1:2	120-5898	1	Decal-Control Panel	8	115-7403	1	LH Narrow Fender/Console ASM
1:3	114-4466	1	Decal-Fuses				
6	32105-15	4	Screw-HWH				

# RH Console Assembly No. 115-7402

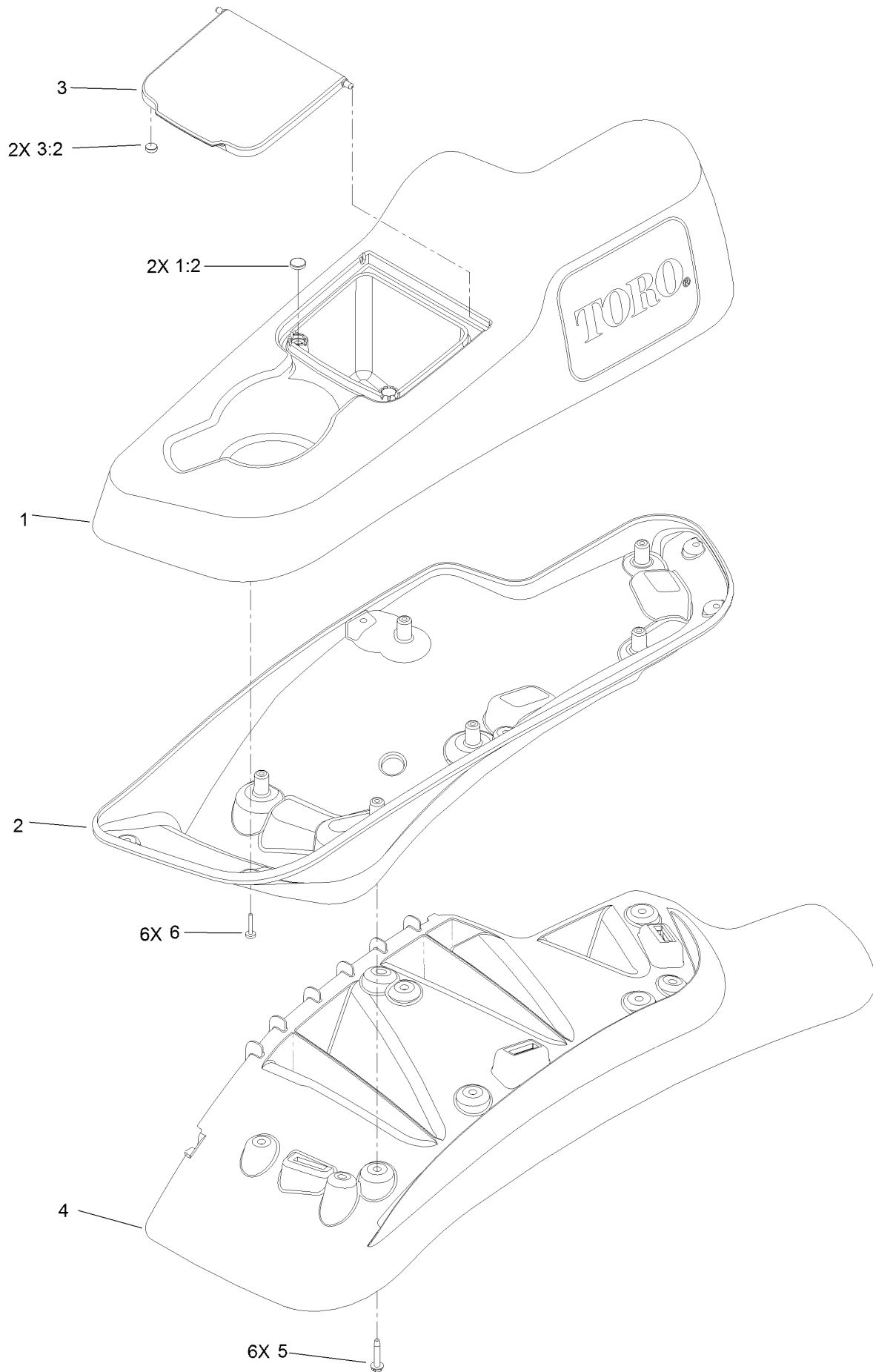




## RH Console Assembly No. 115-7402 (continued)

<i>Ref.</i>	<i>Part Number</i>	<i>Qty.</i>	<i>Description</i>	<i>Ref.</i>	<i>Part Number</i>	<i>Qty.</i>	<i>Description</i>
1	114-1542	1	RH Console Top ASM	3	109-9077	1	Fender-Narrow, RH
1:2	107069	4	Clip	4	32144-89	6	Screw-Thread Forming
2	114-9823	1	Console-Narrow, RH	5	117-0347	6	Screw-PPH

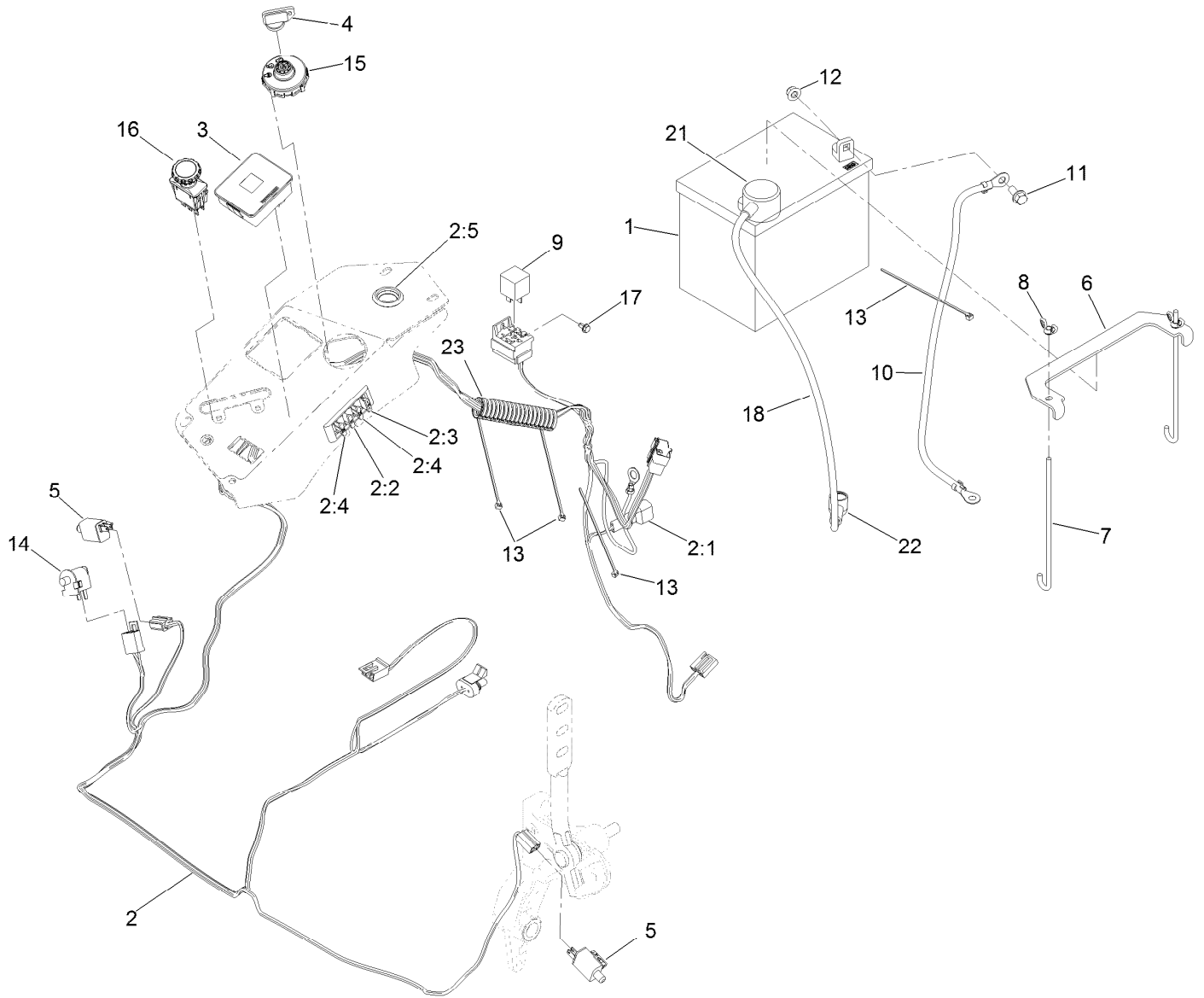
# LH Console Assembly No. 115-7403



# LH Console Assembly No. 115-7403 (continued)

<i>Ref.</i>	<i>Part Number</i>	<i>Qty.</i>	<i>Description</i>	<i>Ref.</i>	<i>Part Number</i>	<i>Qty.</i>	<i>Description</i>
1	114-1541	1	LH Console Top ASM	3:2	114-5896	2	Magnet
1:2	117-0883	2	Puck	4	109-9080	1	Fender-LH
2	114-9821	1	LH Lower Console ASM	5	32144-89	6	Screw-Thread Forming
3	114-1536	1	Lid ASM	6	117-0347	6	Screw-PPH

# Electrical Assembly

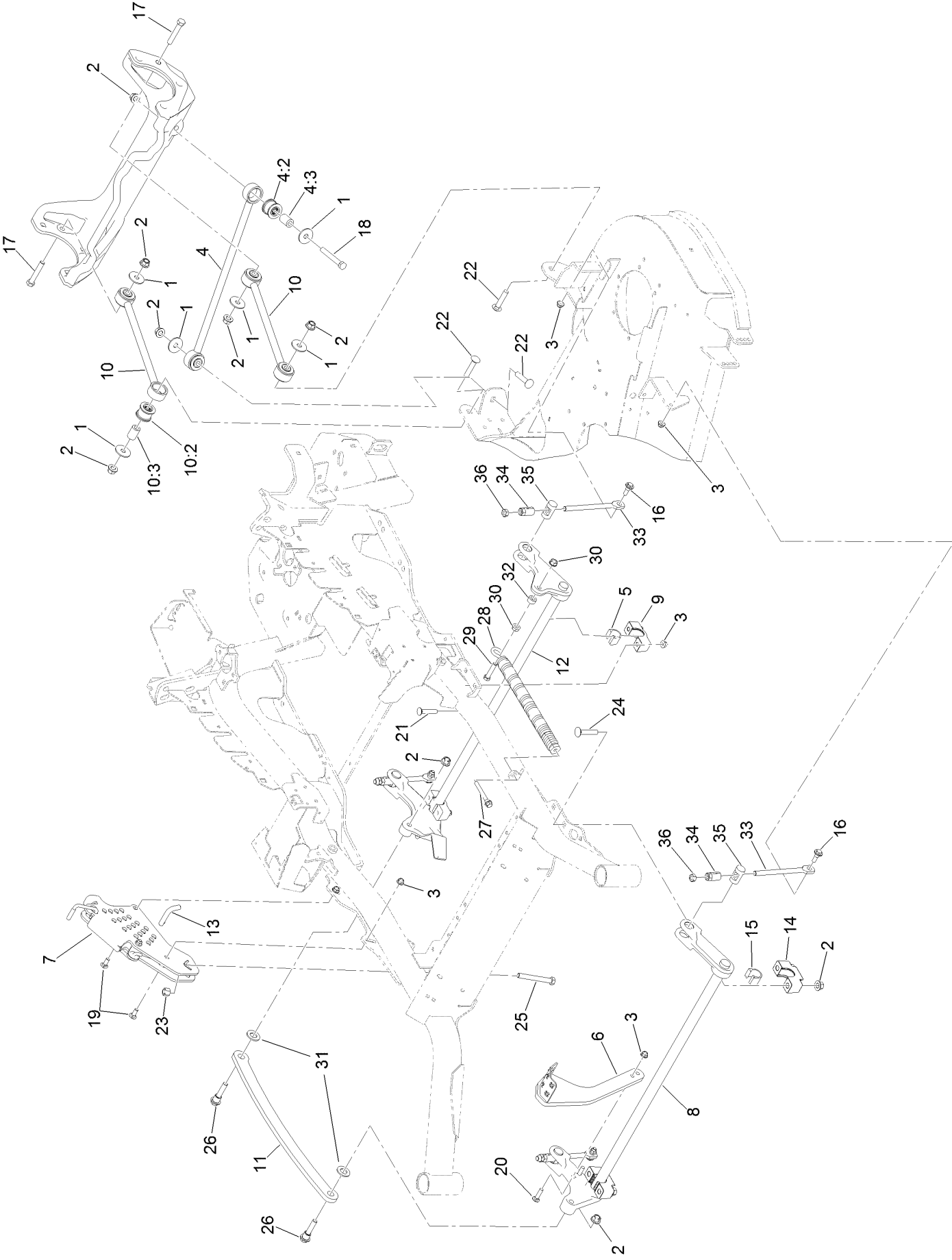


## Electrical Assembly (continued)

<i>Ref.</i>	<i>Part Number</i>	<i>Qty.</i>	<i>Description</i>	<i>Ref.</i>	<i>Part Number</i>	<i>Qty.</i>	<i>Description</i>
1	104-8162	1	Battery	9	1-643275	1	Relay
2	116-6009	1	Harness-Wire, Main ●	10	114-1218	1	Cable-Battery, Negative
2:1	103-3895	1	Diode	11	3234-5	2	Screw-HHF
2:2	218-578	1	Fuse-Blade, 10 Amp	12	104-8300	2	Nut-HF, NI
2:3	109355	1	Fuse-Blade, 15 Amp	13	1-303287	4	Tie-Cable
2:4	109102	2	Fuse-Blade, 25 Amp	14	82-2190	1	Switch-Bail
2:5	116-0053	1	Cap-Plug	15	137-4100	1	Switch-Ignition
3	117-3882	1	Fuel/Hour Meter ASM	16	135-3653	1	Switch, PTO 10A
4	1-603511	1	Keys-Ignition (Spare Pair)	17	104-2065	1	Screw-HWH
4	63-8360	1	Key-Ignition	18	115-3864	1	Cable-Battery, Positive
5	110-6765	2	Switch	21	109-2407	1	Insulator-Battery
6	116-0042-03	1	Strap-Tie Down, Battery	22	1-543393	1	Insulator-Solenoid
7	1-633651	2	Bolt-Holddown	23	131-8846	1	Cover-Hose
8	1-543792	2	Wingnut				

● Use dielectric grease on all unsealed connectors and terminals only. Do not apply in sealed connectors.

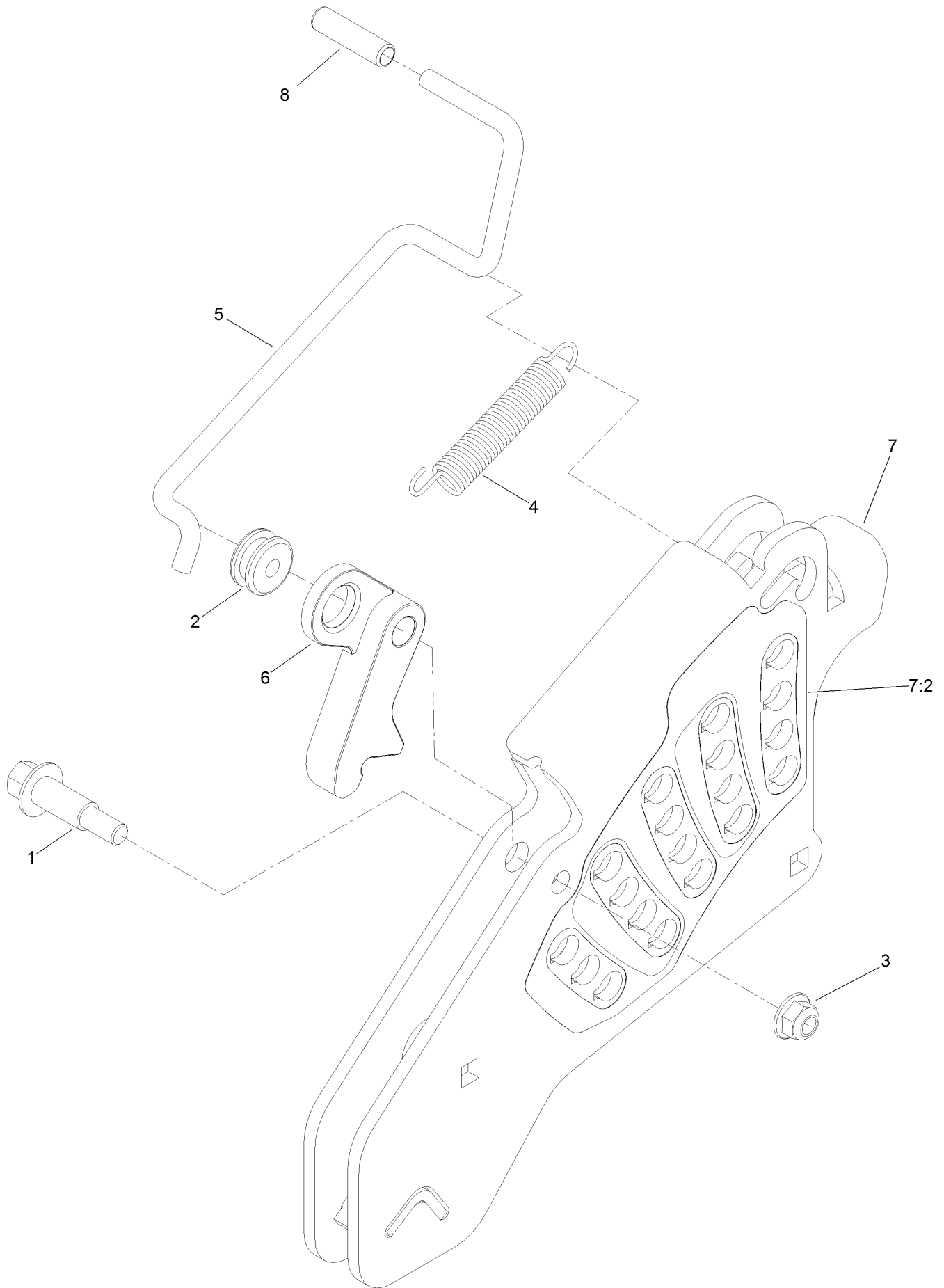
# Deck Lift Assembly



## Deck Lift Assembly (continued)

<i>Ref.</i>	<i>Part Number</i>	<i>Qty.</i>	<i>Description</i>	<i>Ref.</i>	<i>Part Number</i>	<i>Qty.</i>	<i>Description</i>
1	86-1990	6	Washer-Thrust	15	109-9410	2	Bearing-Cross Shaft, Front
2	99-5107	12	Nut-Lock	16	109-9840	4	Screw-Shoulder, HHF
3	104-8301	12	Nut-HF, NI	17	325-12	2	Screw-HH
4	109-5013	1	Panhard Rod ASM	18	325-17	1	Screw-HH
4:2	109-5009	2	Bushing-Suspension, Rubber	19	3231-2	2	Bolt-CARR
4:3	109-5010	2	Spacer	20	3231-4	2	Screw-CARR
5	109-7173	2	Bearing-Cross Shaft, Rear	21	3231-7	4	Screw-CARR
6	131-8812-01	1	Lever-Foot	22	3233-34	3	Screw-CARR
7	117-3842	1	Height-Of-Cut ASM	23	3296-23	1	Nut-Lock, NI
8	126-2477-03	1	Decklift-Front	24	116-1700	4	Bolt-CARR
9	127-0553	2	Support-Bearing, Cross Shaft (Rear)	25	116-0559	1	Bolt-TAP
10	109-7952	2	Deck Strut ASM	26	116-2022	2	Screw-HHF, Shoulder
10:2	109-5009	2	Bushing-Suspension, Rubber	27	92-7674	1	Bolt-Shoulder
10:3	109-5010	2	Spacer	28	116-0886	1	Spring-Extension
11	116-0797-03	1	Link-Lift, Deck	29	109-9065	1	Screw-HH
12	116-2645-03	1	Lift-Deck, Rear	30	32128-37	2	Nut-HF
13	116-5584	1	Pin-HOC	31	3256-28	2	Washer-Flat
14	109-9409	2	Support-Bearing, Cross Shaft (Front)	32	116-2695	1	Spacer
				33	109-8007	4	Link-Adjuster, Deck Lift
				34	109-7840	4	Adjuster-Lift, Deck
				35	109-8353	4	Trunnion
				36	3218-5	4	Nut-Jam

# Height-of-Cut Assembly No. 117-3842

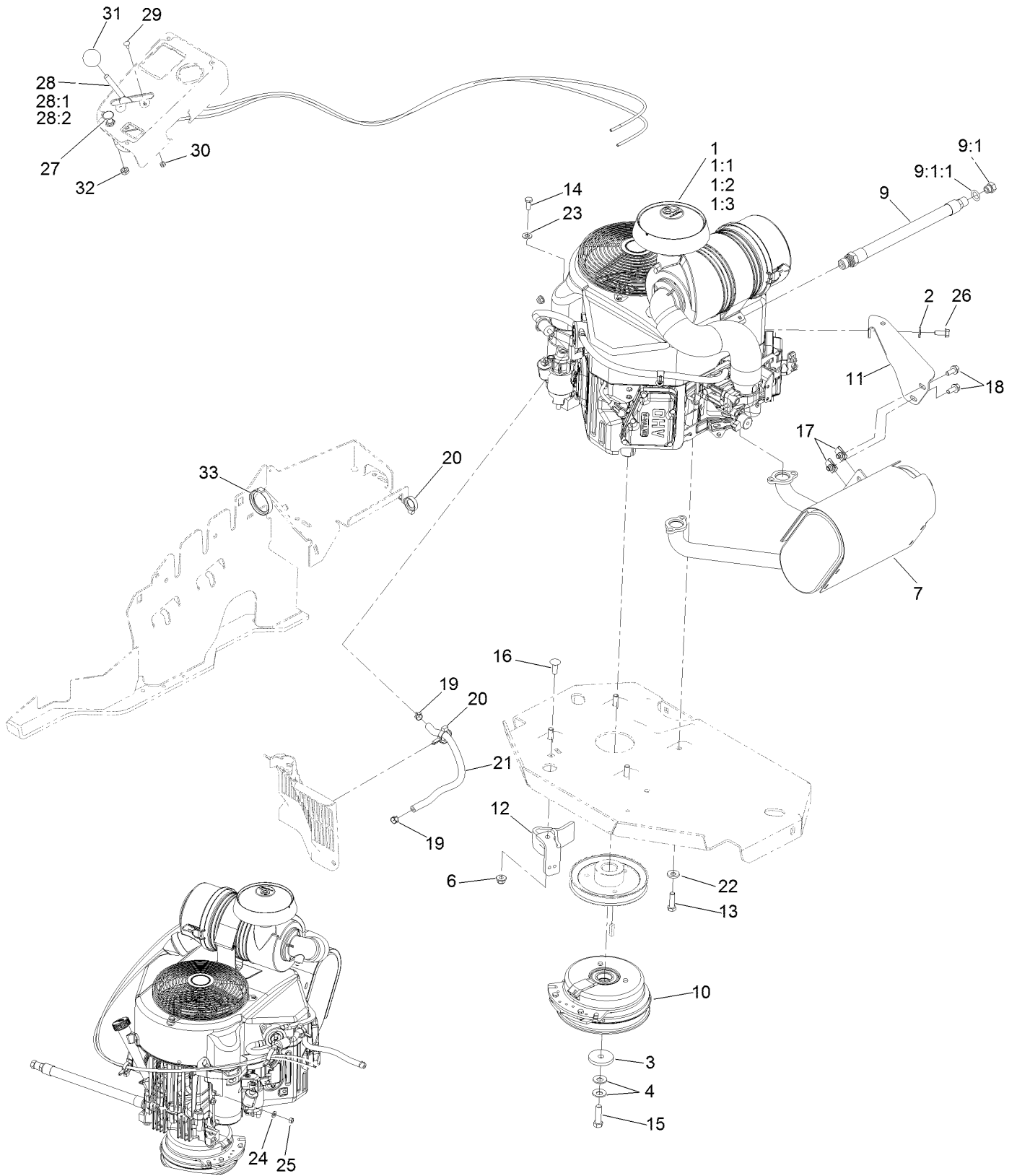




## Height-of-Cut Assembly No. 117-3842 (continued)

<i>Ref.</i>	<i>Part Number</i>	<i>Qty.</i>	<i>Description</i>	<i>Ref.</i>	<i>Part Number</i>	<i>Qty.</i>	<i>Description</i>
1	62-1330	1	Bolt-Shoulder	6	116-0118	1	Pawl-Transport, HOC
2	109-7130	1	Grommet	7	117-3837	1	Plate-Height Adjuster
3	104-8301	1	Nut-HF, NI	7:2	114-4470	1	Decal-HOC
4	109-7124	1	Spring-Extension	8	109-8250	1	Grip-Lever
5	109-7128	1	Rod-Lock, Transport				

# Engine, Clutch and Muffler Assembly



## Engine, Clutch and Muffler Assembly (continued)

<i>Ref.</i>	<i>Part Number</i>	<i>Qty.</i>	<i>Description</i>	<i>Ref.</i>	<i>Part Number</i>	<i>Qty.</i>	<i>Description</i>
1		1	Engine - Kawasaki ■▲	15	109-9761	1	Screw-HH □
1:1		1	Kawasaki 49065-7007	16	3231-22	1	Screw-CARR
			Engine Oil Filter ■▲	17	94-2413	2	Nut-U
1:2		1	Kawasaki 11013-7044	18	3234-5	2	Screw-HHF
			Engine Air Filter ■▲	19	2412-98	2	Clamp-Hose
1:3		1	Kawasaki 11013-7045	20	105-1853	2	Clamp-Hose
			Safety Filter ■▲	21	109-0296	1	Hose-Fuel
2	1-303334	1	Washer-Spring	22	98-5975	4	Washer-Belleville
3	109-6919	1	Washer-Plain	23	33094-00	1	Washer-Plain
4	1-603610	2	Washer-Spring	24	3256-22	2	Washer-Flat
6	104-8301	1	Nut-HF, NI	25	3217-5	2	Nut-Hex
7	116-1715	1	Muffler	26	95-4184	1	Screw-HHF
9	116-4924	1	Engine Oil Drain Hose ASM	27	115-2753	1	Control-Choke
			◆	28	110-5727	1	Throttle Control ASM
9:1	353-508	1	Plug-HH ●	28:1	112-2334	1	Lever-Throttle
9:1:1	237-42	1	O-Ring	28:2	110-5728	1	Cable-Throttle
10	116-1620	1	Clutch Kit	29	1-807513	2	Bolt-CARR
11	116-1435	1	Bracket-Muffler	30	3296-2	2	Nut-Lock, NI
12	116-2612-01	1	Clutch-Anchor	31	1-603175	1	Knob-Ball
13	323-7	4	Screw-HH	32	3220-3	1	Nut-HJ
14	33114-020	1	Screw-HH	33	117-7817	1	Clamp-Harness

● Torque to 24-26 ft-lb

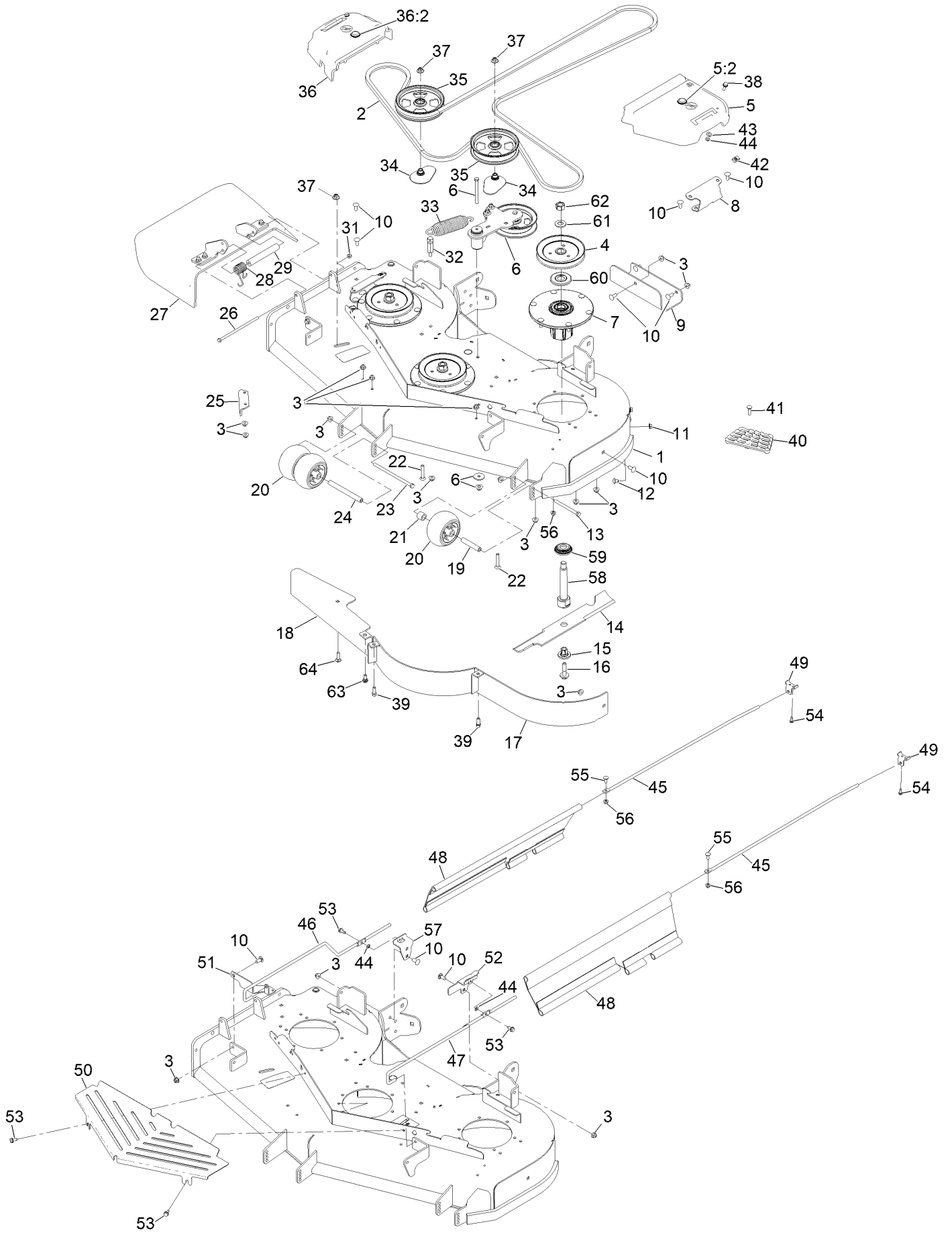
▲ Obtain parts from [www.kawpower.com](http://www.kawpower.com)

◆ Use a Teflon Pipe Sealant or equivalent on threads.

□ Use Pro-Lock, Nut Type (P/N 1-840022, .5ml tube) on threads.

■ Not serviced separately

# Deck Assembly

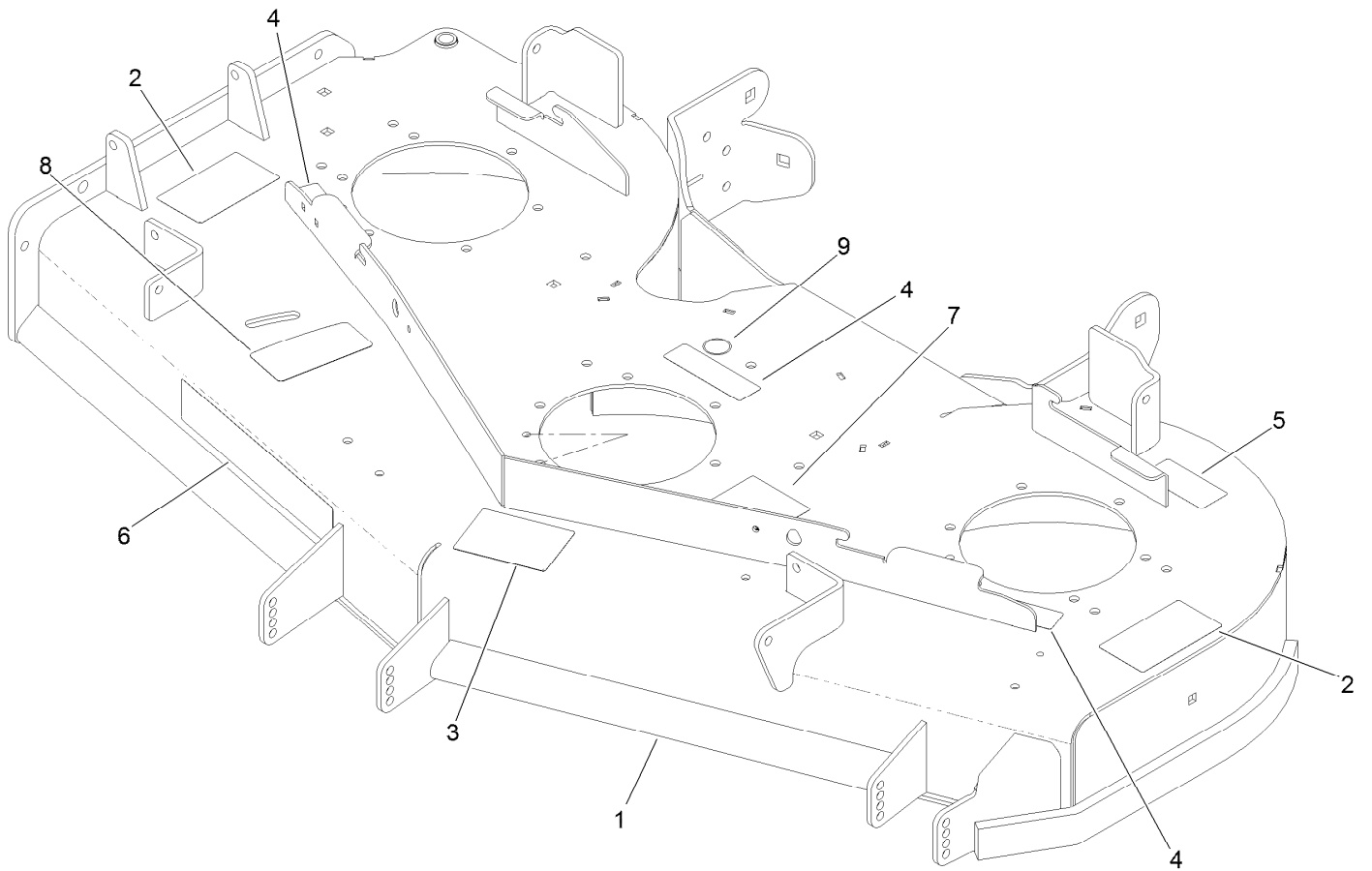


## Deck Assembly (continued)

<i>Ref.</i>	<i>Part Number</i>	<i>Qty.</i>	<i>Description</i>	<i>Ref.</i>	<i>Part Number</i>	<i>Qty.</i>	<i>Description</i>
1	140-1168	1	Deck Decal ASM	35	136-5404	2	Pulley-Idler, Flat
2	115-7426	1	Belt-V	36	117-7813	1	RH Belt Cover ASM
3	104-8301	37	Nut-HF, NI	36:2	117-3824	1	Plug-Plastic
4	138-6058	3	Sheave-Blade Drive 6.50	37	109-6658	3	Nut-Flange, NI
5	117-7814	1	LH Belt Cover ASM	38	3234-29	2	Screw-HHF
5:2	117-3824	1	Plug-Plastic	39	92-1624	2	Screw-HWH Thd Form
6		1	Idler Arm ASM ●	40	126-4781-03	1	Step-Deck
7	137-9780	3	Spindle ASM	41	3230-3	1	Screw-CARR
8	114-5881-01	2	Bracket-Cover, Belt	42	94-2413	2	Nut-U
9	121-7975-01	1	Plate-Skid	43	73-0041	2	Washer-Thrust
10	3231-27	13	Screw-CARR	44	117-2749	4	Nut-Push
11	3290-357	3	Nut-HSF	45	131-3987	2	Rod-Support, Upper
12	108-5387	3	Screw-CARR	46	131-4191	1	Rod-Support, Lower (RH)
13	323-23	1	Screw-HH	47	131-4192	1	Rod-Support, Lower (LH)
14	140-1242	3	Blade-Flow, High	48	131-7652	2	Guard-Side
15	137-9787	3	Bushing-Hex	49	131-4194-03	2	Bracket-Mounting, Upper
16	109-9220	3	Screw-Sems	50	133-1837-03	1	Shield-Front
17	115-7461-01	1	Baffle	51	131-4195-03	1	Bracket-Mounting, Front
18	138-6052-01	1	Plate-Baffle, Formed	52	131-4196-03	1	Bracket-Mounting, Rear (LH)
19	98-7912	1	Tube-Spanner	53	32144-70	4	Screw-HWHTF
20	1-603299	3	Roller-Scalp, Anti	54	32144-10	2	Screw-HWH
21	98-7913	1	Tube-Spacer	55	3230-23	2	Bolt-CARR
22	3231-40	2	Bolt-CARR	56	104-8300	3	Nut-HF, NI
23	108-5388	1	Screw-HH	57	132-0920-03	1	Bracket-Mounting, Rear (RH)
24	98-5967	1	Spacer-Wheel	58	138-6045	3	Shaft-Spindle
25	107-8541-01	1	Baffle-Discharge	59	137-9784	3	Guard-Bottom
26	322-50	1	Screw-HH	60	103-1330	3	Guard-Bearing, Top
27	108-2792	1	Rubber Deflector ASM	61	103-2802	3	Washer
28	108-4052	1	Spring-Torsion	62	116-7306	3	Nut-Hex
29	105-4622	1	Spacer	63	94-7582	1	Bolt-Shoulder
31	3296-29	1	Nut-Lock, NI	64	3231-25	1	Bolt-CARR
32	114-5867	1	Anchor-Spring, Tall				
33	116-6317	1	Spring-Extension				
34	109-2872	2	Spacer-Pulley				

● Not serviced separately

# Deck Decal Assembly No. 140-1168

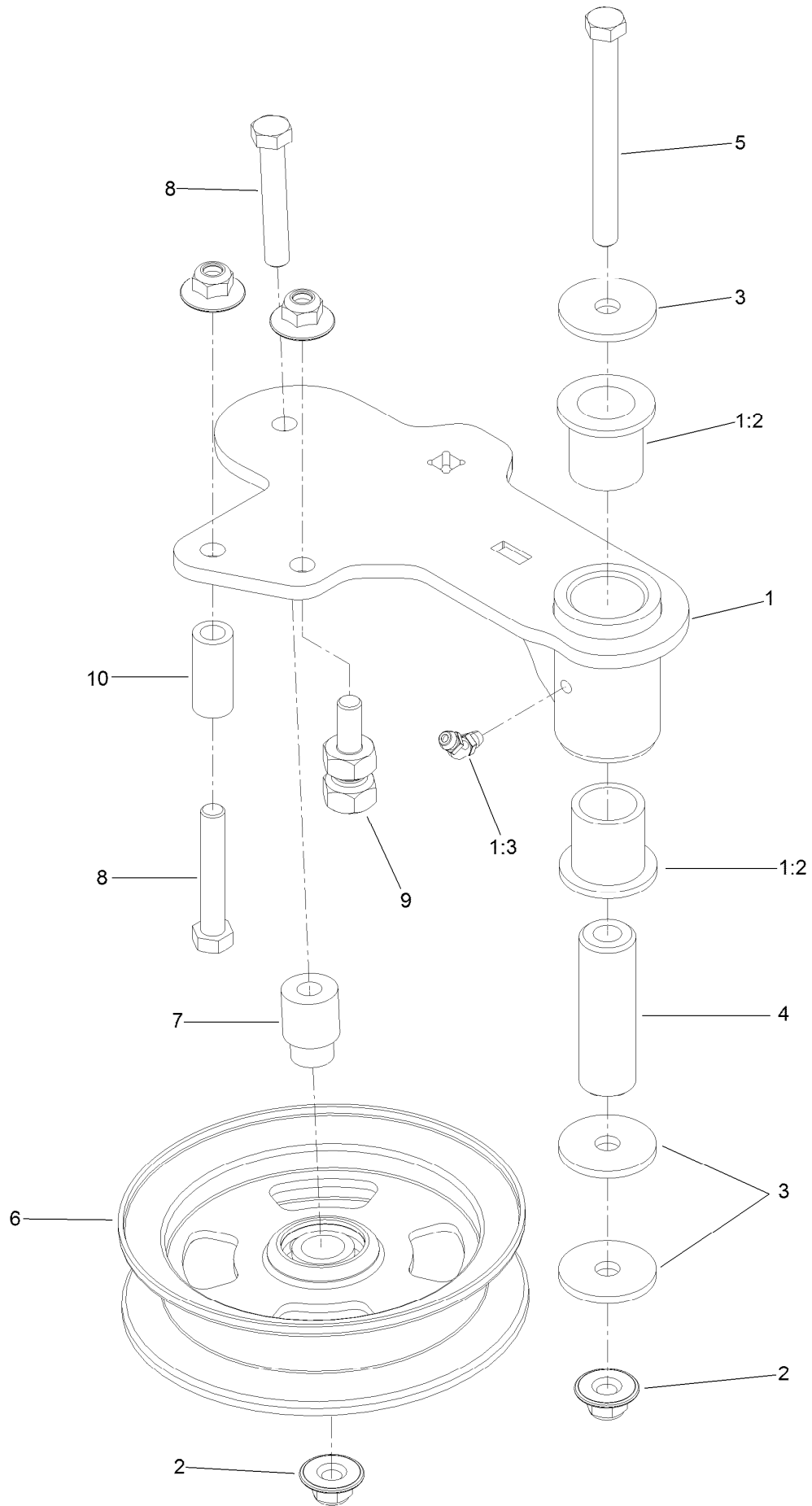


## Deck Decal Assembly No. 140-1168 (continued)

<i>Ref.</i>	<i>Part Number</i>	<i>Qty.</i>	<i>Description</i>	<i>Ref.</i>	<i>Part Number</i>	<i>Qty.</i>	<i>Description</i>
1		1	Deck ASM ●	6	107-1618	1	Decal
2	117-3848	2	Decal-Danger	7	136-5508	1	Decal-Routing, Deck Belt
3	127-0326	1	Decal-Scalp, Anti	8	131-1180	1	Decal-Adjustment, Baffle
4	112-9028	3	Decal-Cover, Missing	9	58-6520	1	Decal-Grease
5	116-8283	1	Decal-Torque, Bolt				

● Not serviced separately

# Idler Arm Assembly





## Idler Arm Assembly (continued)

<i>Ref.</i>	<i>Part Number</i>	<i>Qty.</i>	<i>Description</i>	<i>Ref.</i>	<i>Part Number</i>	<i>Qty.</i>	<i>Description</i>
1	114-5870	1	Idler Arm ASM	5	98-5961	1	Screw-HH
1:2	1-303514	2	Bearing-Flanged	6	132-9425	1	Pulley-Idler, Flat
1:3	1481	1	Fitting-Grease	7	112-4212	1	Mount-Pulley
2	109-6658	4	Nut-Flange, NI	8	323-11	2	Screw-HH
3	1-213069	3	Washer	9	132-4729	1	Anchor-Spring, Short
4	114-5848	1	Spacer-Plain	10	104-0151	1	Spacer

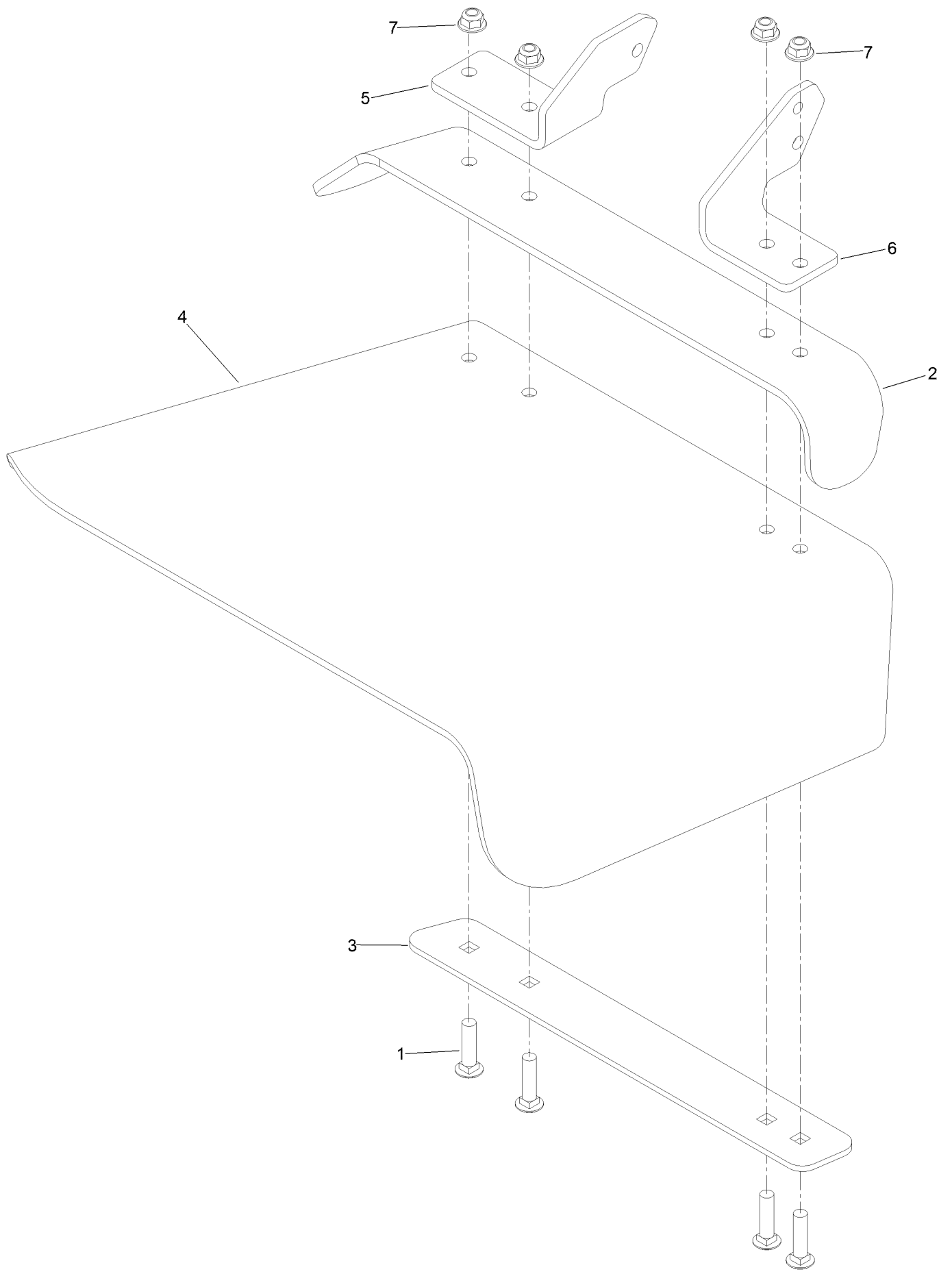
# Spindle Assembly No. 137-9780



## Spindle Assembly No. 137-9780 (continued)

<i>Ref.</i>	<i>Part Number</i>	<i>Qty.</i>	<i>Description</i>
2	116-0720	2	Bearing-Ball
3	138-6042	1	Spacer-Bearing

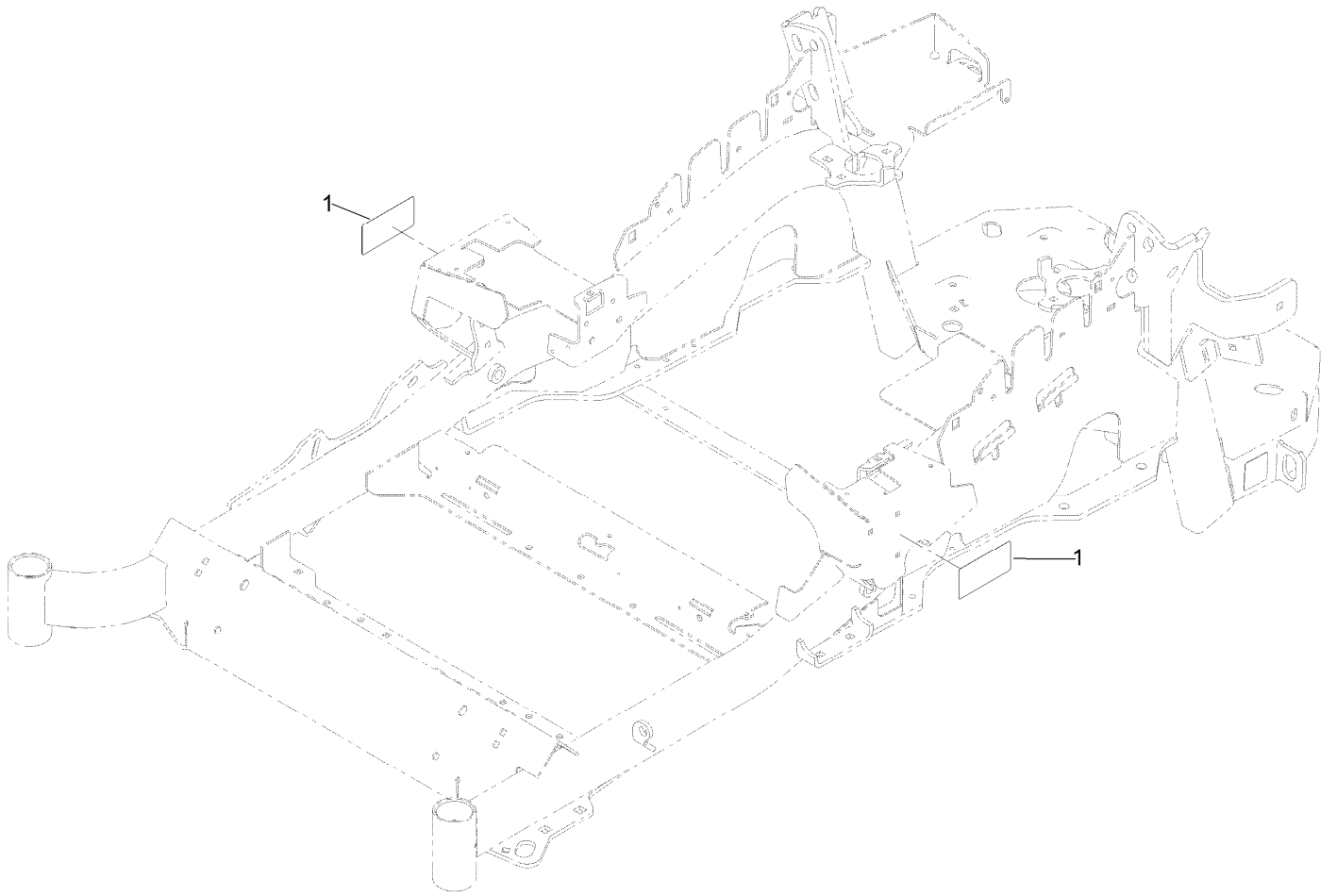
# Rubber Deflector Assembly No. 108-2792



# Rubber Deflector Assembly No. 108-2792 (continued)

<i>Ref.</i>	<i>Part Number</i>	<i>Qty.</i>	<i>Description</i>	<i>Ref.</i>	<i>Part Number</i>	<i>Qty.</i>	<i>Description</i>
1	3231-4	4	Screw-CARR	5	108-4059-01	1	Plate-Hinge, Rear
2	106-3246-01	1	Deflector	6	106-3253-01	1	Plate-Hinge, Front
3	106-3248-03	1	Strap-Discharge	7	104-8301	4	Nut-HF, NI
4	108-5029	1	Deflector-Rubber				

# Frame Decal Assembly



## Frame Decal Assembly (continued)

<i>Ref.</i>	<i>Part Number</i>	<i>Qty.</i>	<i>Description</i>
1	120-5895	2	Decal

# Attachments and Accessories

## For 72969TE Z Master Professional 6000 Series Riding Mower with 132cm TURBO FORCE Side Discharge Mower

Product Name	Model/Part
Turbo Baffle Kit .....	107-1634
Anti-Scalp Kit (Trim Side).....	108-4140
Hitch Kit .....	109-9487
Hypr-Oil 500 (quart).....	114-4713
Hypr-Oil 500 (gallon).....	114-4714
Hypr-Oil 500-5 (5 gallon).....	114-4715
Bimini Folding Shade Assembly .....	115-4510
Roller Stripper Kit.....	115-7470
Light Kit.....	116-1154
Seat Cover (W/arm rest).....	117-0095
Operator Controlled Discharge Chute Kit.....	117-3600
Toro Rops Lock Kit.....	126-4064
CE Bagger Compliance Kit .....	127-0337
Jack Mount Kit .....	127-6665
Jack Kit .....	127-6666
Worklight Kit .....	135-7320
Shock/Spring Asm .....	136-8993
Bucket Mount Kit.....	137-9216
Trimmer Mount .....	137-9769
Recycler Kit .....	139-6653
Blade-18.00 High Flow .....	140-1242
Blade-18.00 Medium Flow .....	140-4856
Blade-18.00 Low Flow .....	140-4857
Blade-18.00 Atomic .....	140-4858
Blade-18.00 Recycler .....	140-4859
6 Pack-Blade, 18.00 High Flow.....	140-4882
6 Pack-Blade, 18.00 Med Flow .....	140-4883
6 Pack-Blade, 18.00 Low Flow .....	140-4884
6 Pack-Blade, 18.00 Atomic.....	140-4885
6 Pack-Blade, 18.00 Recycler.....	140-4886
Weight Kit, Under Toe Board.....	140-4958
Toro Rider Over Seat Bag.....	490-7317
Toro Deluxe Rider Cover.....	490-7319
Toro Rider Arm Rest Bag .....	490-7320
Spark Arrestor Screen .....	75-6880
Blower and Drive Kit .....	78552
E-Z Vac Twin Bagging System.....	78562
E-Z Vac DFS Collection System .....	78566
Filter Minder Gauge .....	99-4664
Trash Holder Kit.....	TC26



**Notes:**

**Notes:**

**Notes:**



**Count on it.**