



**Count on it.**

**Parts Catalog**

**Z Master® Professional 6000  
Series Riding Mower**

**with 72in TURBO FORCE® Side Discharge  
Mower**

Model No. 72982—Serial No. 414109391 and Up



# Ordering Replacement Parts

To order replacement parts, please supply the part number, the quantity, and the description of each part desired.

## Understanding Reference Numbers

Each identified part in an illustration has a reference number. The reference number for a part also appears in the parts list, along with other information about the part.

This catalog uses two special reference number formats, one to indicate parts in a service assembly and another to indicate the quantity of a given part in an illustration.

## Service Assembly Reference Numbers

Parts in service assemblies have reference numbers in the form a:b. The a represents the reference number of the entire service assembly and the b represents a sequential number unique to each part within the service assembly.

For example, a wheel assembly might be identified by reference number 6, the tire by 6:1, the valve by 6:2, and the wheel by 6:3. When you order the assembly identified by reference number 6, you receive all parts identified by reference numbers 6:1, 6:2, and 6:3. However, you may also order any part individually. Reference numbers of this type appear in illustration and in parts lists.

## Reference Numbers Indicating Quantity

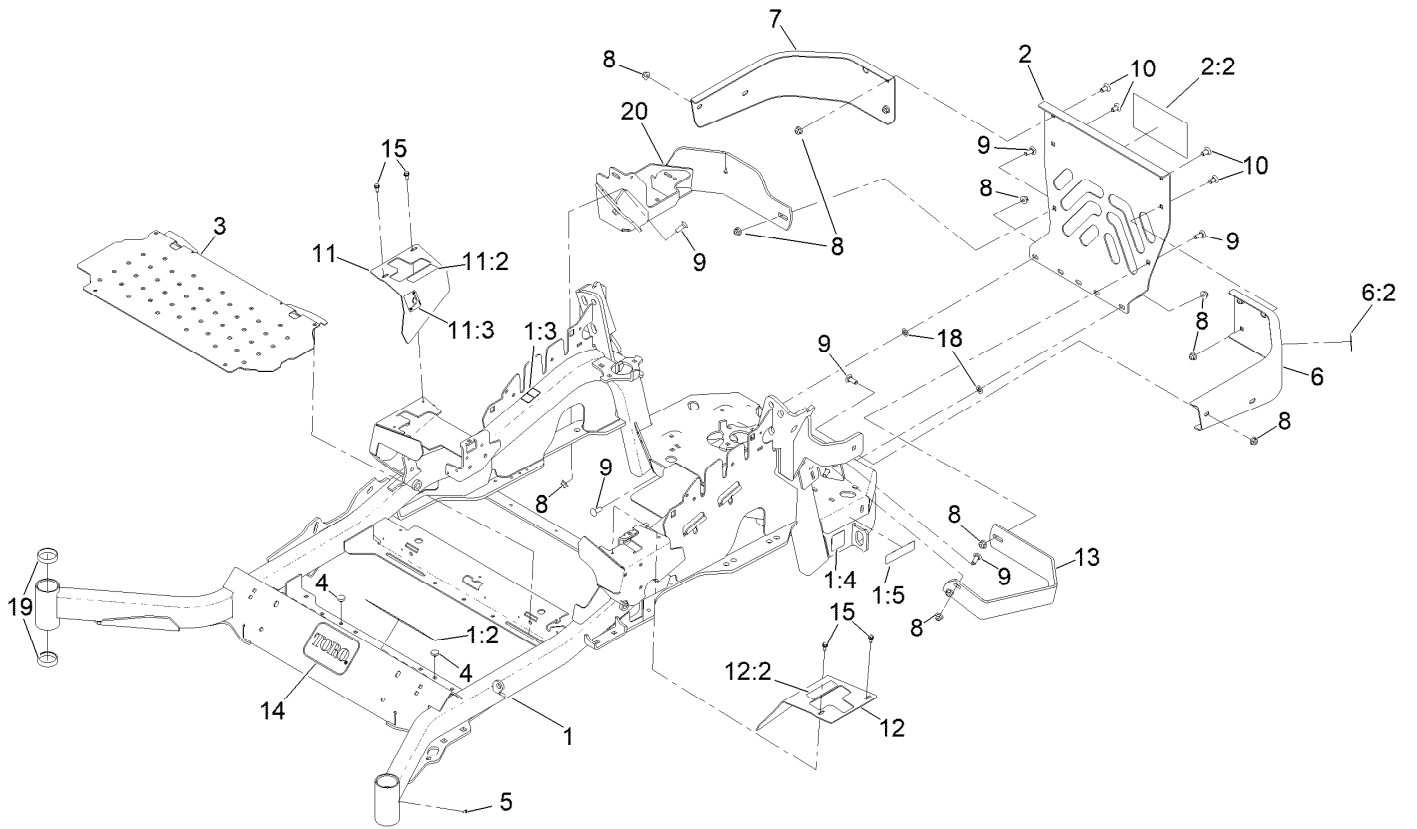
In an illustration, if a reference number indicates more than one part, the reference number has the form nX y. The n represents the quantity of the part, the X is the multiplication symbol, and the y represents the reference number.

For example, in an illustration, the reference number 2X 37 means that two of the parts identified by reference number 37 are indicated.

# Contents

|   |    |
|---|----|
| Frame Assembly                                    | 4  |
| Roll-Over Protection System Assembly No. 116-0231 | 6  |
| Caster Fork and Wheel Assembly (HD Model Only)    | 8  |
| Hydraulic Drive Assembly                          | 10 |
| Pump Idler Assembly No. 116-1255                  | 12 |
| LH Hydro Assembly No. 135-7907                    | 14 |
| RH Hydro Assembly No. 135-7908                    | 16 |
| Rear Wheel Assembly                               | 18 |
| Park Brake Assembly                               | 20 |
| Fuel Assembly                                     | 22 |
| Fuel Tank Assembly No. 135-0643                   | 24 |
| Seat Mounting Assembly                            | 26 |
| Seat Assembly No. 147-4984                        | 28 |
| Motion Control Assembly                           | 30 |
| Console and Control Panel Assembly                | 32 |
| RH Console Assembly No. 115-7400                  | 34 |
| LH Console Assembly No. 115-7401                  | 36 |
| Electrical Assembly                               | 38 |
| Deck Lift Assembly                                | 40 |
| Height-of-Cut Assembly No. 109-7438               | 42 |
| Engine, Clutch and Muffler Assembly               | 44 |
| Deck Assembly                                     | 46 |
| Deck Decal Assembly No. 140-1170                  | 48 |
| Rubber Deflector Assembly No. 108-2792            | 50 |
| Idler Arm Assembly                                | 52 |
| Frame Decal Assembly                              | 54 |
| Attachments and Accessories                       | 56 |

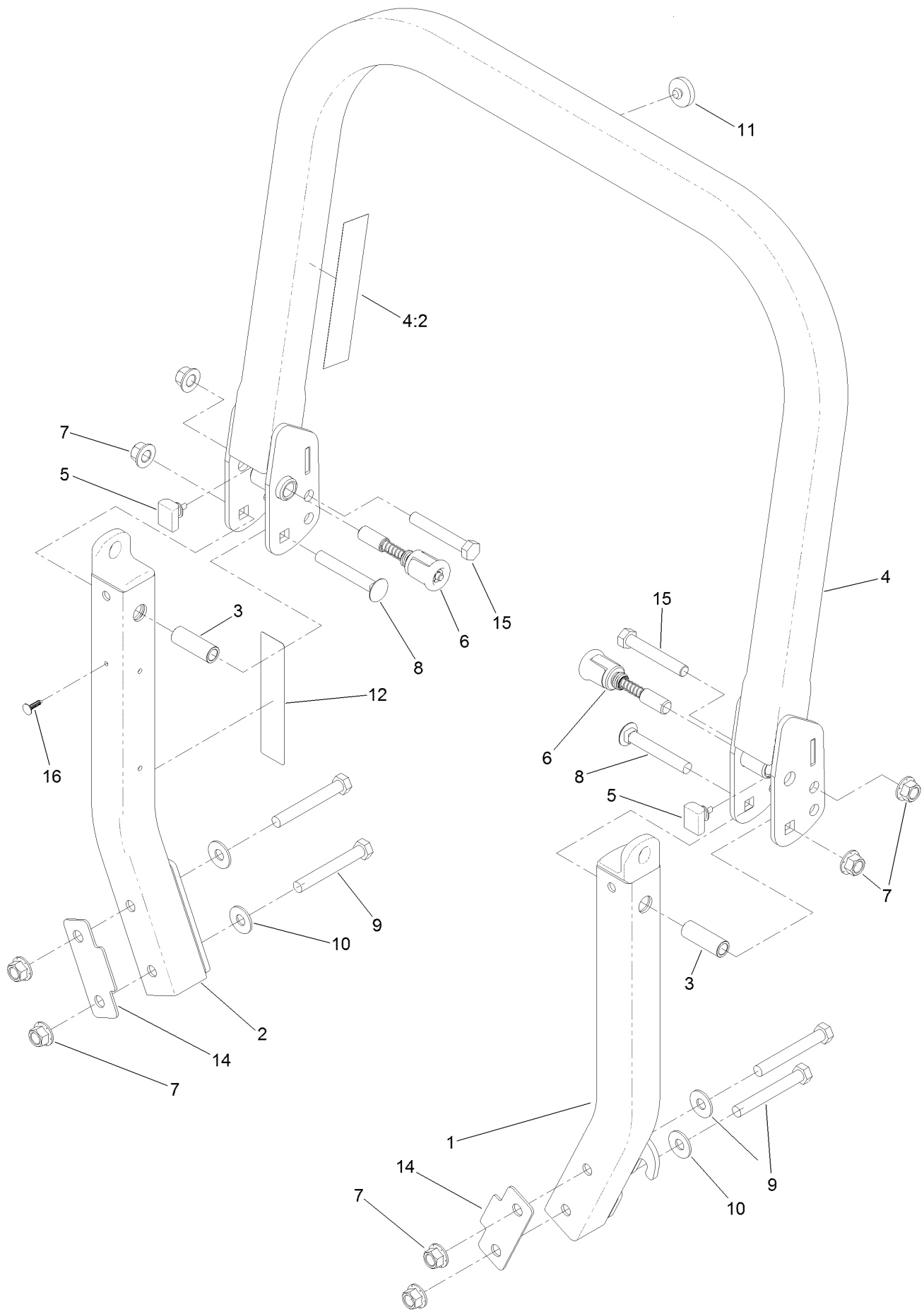
# Frame Assembly



## Frame Assembly (continued)

| <i>Ref.</i> | <i>Part Number</i> | <i>Qty.</i> | <i>Description</i>              | <i>Ref.</i> | <i>Part Number</i> | <i>Qty.</i> | <i>Description</i>             |
|-------------|--------------------|-------------|---------------------------------|-------------|--------------------|-------------|--------------------------------|
| 1           | 142-7266           | 1           | Mainframe Service ASM -<br>72   | 9           | 3231-22            | 10          | Screw-CARR                     |
| 1:2         | 106-5517           | 2           | Decal-Warning                   | 10          | 3231-21            | 4           | Screw-CARR                     |
| 1:3         | 132-0871           | 1           | Decal-Danger                    | 11          | 116-5899           | 1           | RH Motion Control Cover<br>ASM |
| 1:4         | 106-2655           | 2           | Decal-Hazard, Pinched<br>Finger | 11:2        | 99-8936            | 1           | Decal-Control, Motion          |
| 1:5         | 133-8062           | 1           | Decal-Arrestor, Spark           | 11:3        | 116-5988           | 1           | Decal-Park Brake, CE           |
| 2           | 115-7410           | 1           | Rear Guard ASM                  | 12          | 116-0580           | 1           | LH Motion Control Cover<br>ASM |
| 2:2         | 67-7320            | 1           | Decal                           | 12:2        | 99-8936            | 1           | Decal-Control, Motion          |
| 3           | 116-8898-01        | 1           | Floorpan                        | 13          | 126-2067-03        | 1           | Guard-Muffler                  |
| 4           | 1-513658           | 2           | Bumper                          | 14          | 68-3640            | 1           | Decal                          |
| 5           | 1-811010           | 2           | Plug                            | 15          | 32144-10           | 4           | Screw-HWH                      |
| 6           | 116-0180           | 1           | LH Bumper ASM                   | 18          | 107-3154           | 2           | Nut-Push                       |
| 6:2         | 106-5517           | 1           | Decal-Warning                   | 19          | 1-543508           | 4           | Cup-Bearing                    |
| 7           | 116-0057-03        | 1           | Bumper-RH                       | 20          | 142-6295-03        | 1           | Battery Guard ASM [black]      |
| 8           | 104-8301           | 14          | Nut-HF, NI                      |             |                    |             |                                |

# Roll-Over Protection System Assembly No. 116-0231

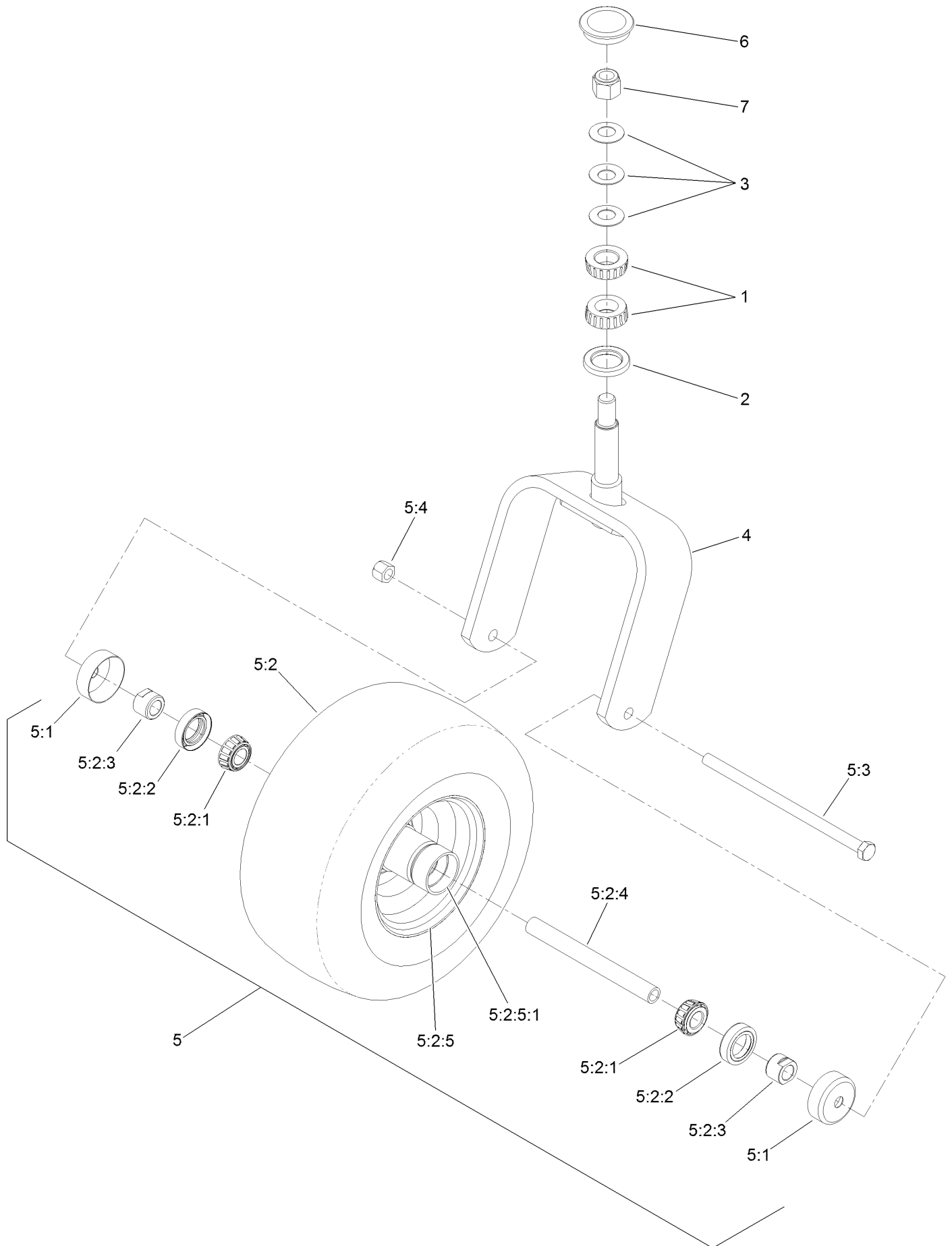


# Roll-Over Protection System Assembly No. 116-0231 (continued)

| <i>Ref.</i> | <i>Part Number</i> | <i>Qty.</i> | <i>Description</i> | <i>Ref.</i> | <i>Part Number</i> | <i>Qty.</i> | <i>Description</i>       |
|-------------|--------------------|-------------|--------------------|-------------|--------------------|-------------|--------------------------|
| 1           |                    | 1           | Leg-ROPS, LH ●     | 8           | 3233-10            | 2           | Screw-CARR               |
| 2           |                    | 1           | Leg-ROPS, RH ●     | 9           | 325-35             | 4           | Screw-HH                 |
| 3           | 109-6653           | 2           | Spacer             | 10          | 109-9505           | 4           | Washer-Spring            |
| 4           |                    | 1           | Upper ROPS ASM ●   | 11          | 109-9233           | 1           | Bumper-Push-In, Rubber   |
| 4:2         | 107-3069           | 1           | Decal-Warning      | 12          | 117-0346           | 1           | Decal-Caution, Fuel Vent |
| 5           | 109-5337           | 2           | Bumper-ROPS        | 14          | 116-0960           | 2           | Spacer                   |
| 6           | 116-0104           | 2           | Pin-Spring         | 15          | 325-13             | 2           | Screw-HH                 |
| 7           | 99-5107            | 8           | Nut-Lock           | 16          | 125-8067           | 1           | Plug-Plastic             |

● Not serviced separately

# Caster Fork and Wheel Assembly (HD Model Only)





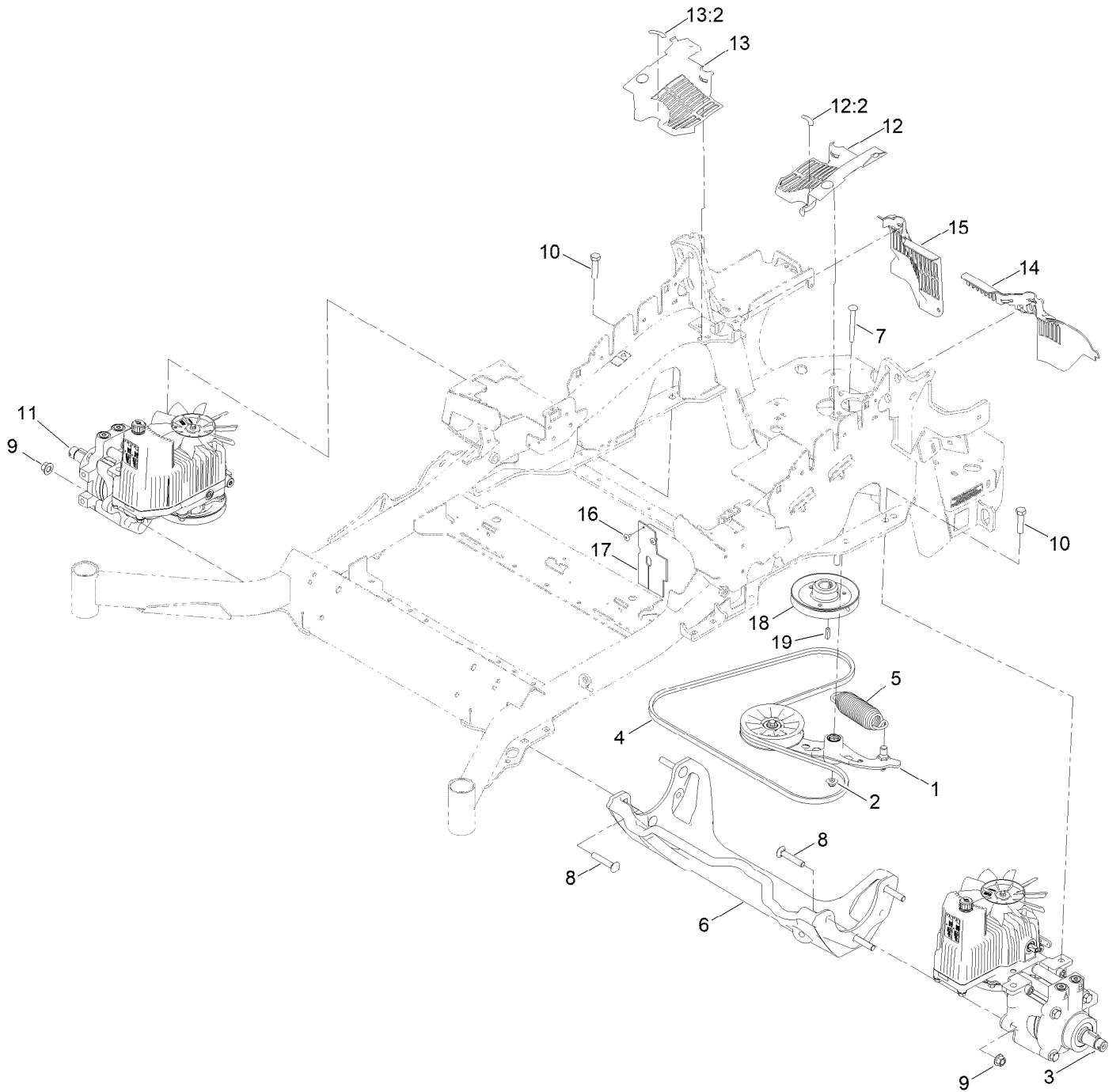
## Caster Fork and Wheel Assembly (HD Model Only) (continued)

| <i>Ref.</i> | <i>Part Number</i> | <i>Qty.</i> | <i>Description</i>      | <i>Ref.</i> | <i>Part Number</i> | <i>Qty.</i> | <i>Description</i>   |
|-------------|--------------------|-------------|-------------------------|-------------|--------------------|-------------|----------------------|
| 1           | 1-543509           | 2           | Bearing-Roller, Tapered | 5:2:3       | 103-3051           | 1           | Spacer-Nut ■         |
| 2           | 116-5647           | 1           | Seal-Grease             | 5:2:4       | 126-5361           | 1           | Axle Caster ASM      |
| 3           | 1-633508           | 3           | Washer-Bellville        | 5:2:5       |                    | 1           | Wheel And Tire ASM ● |
| 4           | 116-6707-01        | 1           | Caster                  | 5:2:5:1     | 1-633584           | 2           | Bearing-Cup          |
| 5           | 127-9528           | 1           | Wheel And Axle ASM      | 5:3         | 325-39             | 1           | Screw-HH             |
| 5:1         | 103-2768           | 2           | Guard-Seal              | 5:4         | 3296-23            | 1           | Nut-Lock, NI         |
| 5:2         |                    | 1           | Wheel And Bearing ASM ● | 6           | 103-4882           | 1           | Cap-Grease           |
| 5:2:1       | 1-633585           | 2           | Bearing-Cone, Taper     | 7           | 3296-51            | 1           | Nut-Lock, NI         |
| 5:2:2       | 103-0063           | 2           | Seal-Caster             |             |                    |             |                      |

● Not serviced separately

■ Use Pro-Lock, Nut Type (P/N 1-840022, .5ml tube) on threads.

# Hydraulic Drive Assembly



## Hydraulic Drive Assembly (continued)

| <i>Ref.</i> | <i>Part Number</i> | <i>Qty.</i> | <i>Description</i>      | <i>Ref.</i> | <i>Part Number</i> | <i>Qty.</i> | <i>Description</i>         |
|-------------|--------------------|-------------|-------------------------|-------------|--------------------|-------------|----------------------------|
| 1           | 116-1255           | 1           | Pump Idler ASM          | 13          | 116-0171           | 1           | RH Hydro Guard ASM         |
| 2           | 109-6658           | 1           | Nut-Flange, NI          | 13:2        | 116-8726           | 1           | Decal-Oil, Hydro           |
| 3           | 135-7907           | 1           | Hydro-LH                | 14          | 142-6499           | 1           | Guard-Hydro, Rear LH       |
| 4           | 126-9835           | 1           | Belt-V                  | 15          | 109-9058           | 1           | Guard-Hydro, Rear (RH)     |
| 5           | 116-6317           | 1           | Spring-Extension        | 16          | 1-803035           | 2           | Rivet-Pop                  |
| 6           | 116-7558           | 1           | Cradle-Hydro            | 17          | 116-2362           | 1           | Deflector-Air Flow         |
| 7           | 116-1502           | 1           | Bolt-Shoulder, Carriage | 18          | 142-9445           | 1           | Sheave, W/Hub              |
| 8           | 126-0095           | 6           | Screw-CARR              | 19          | 1-807259           | 1           | Key                        |
| 9           | 99-5107            | 6           | Nut-Lock                | 99          | 114-4713           | 1           | Hypr-Oil 500 (Quart)●      |
| 10          | 325-8              | 4           | Screw-HH                | 99          | 114-4714           | 1           | Hypr-Oil 500 (Gallon)●     |
| 11          | 135-7908           | 1           | Hydro-RH                | 99          | 114-4715           | 1           | Hypr-Oil 500-5 (5 Gallon)● |
| 12          | 116-0170           | 1           | LH Hydro Guard ASM      | 99          | 117-0390           | 1           | Filter-Hydro               |
| 12:2        | 116-8726           | 1           | Decal-Oil, Hydro        |             |                    |             |                            |

● Not illustrated

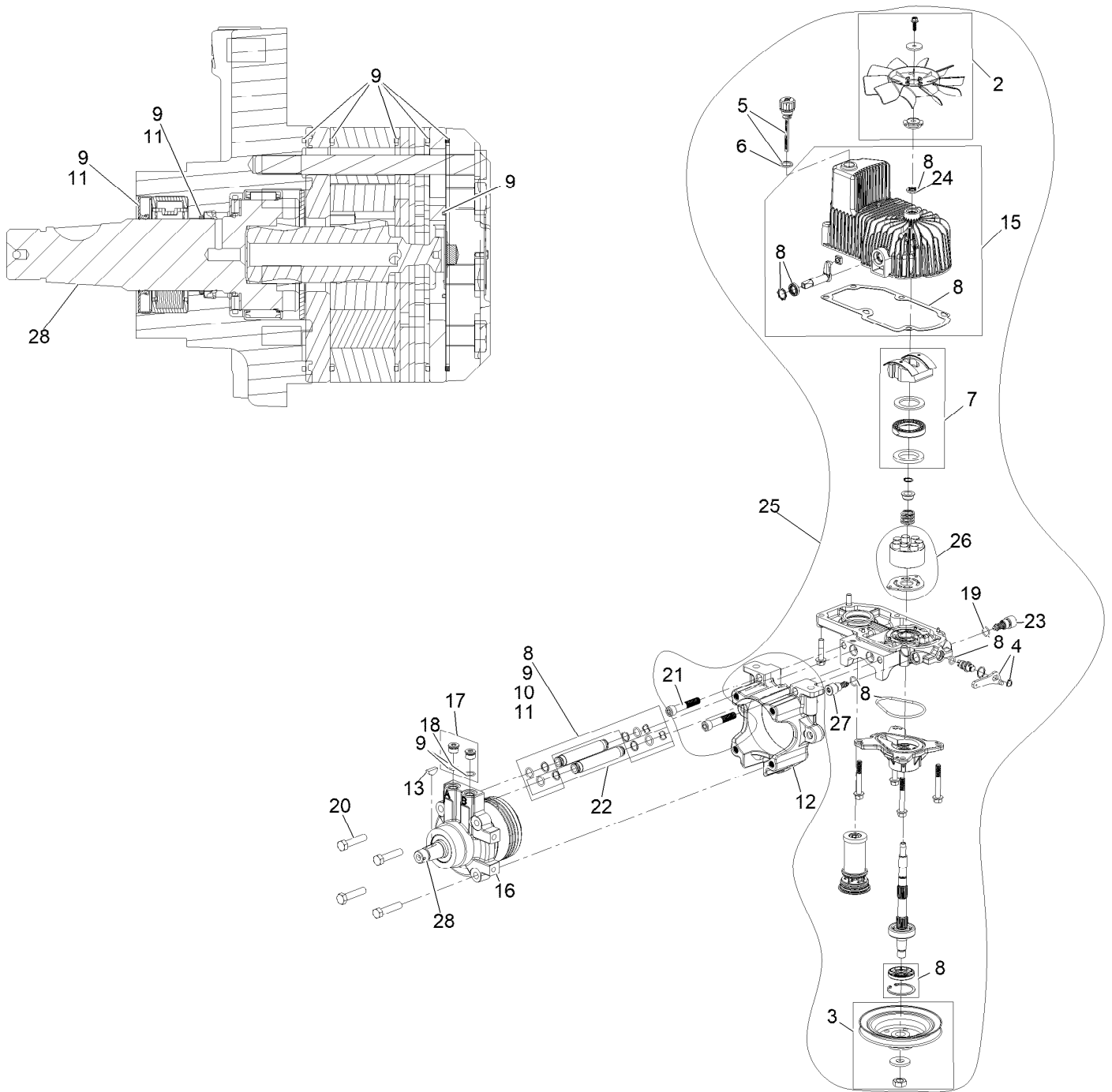
# Pump Idler Assembly No. 116-1255



## Pump Idler Assembly No. 116-1255 (continued)

| <i>Ref.</i> | <i>Part Number</i> | <i>Qty.</i> | <i>Description</i> | <i>Ref.</i> | <i>Part Number</i> | <i>Qty.</i> | <i>Description</i> |
|-------------|--------------------|-------------|--------------------|-------------|--------------------|-------------|--------------------|
| 2           | 43-0940            | 1           | Spacer             | 8           | 323-8              | 1           | Screw-HH           |
| 3           | 103-3504           | 2           | Bearing-Spherical  | 9           | 32120-10           | 2           | Ring-Snap          |
| 4           | 103-3505           | 1           | Seal-Lip, Double   | 10          | 302-19             | 1           | Fitting-Grease     |
| 5           | 103-3506           | 1           | Seal-Lip, Single   | 11          | 109-8076           | 1           | Pulley-Idler       |
| 6           | 109-6658           | 1           | Nut-Flange, NI     | 12          | 132-4724           | 1           | Pin-Anchor, Spring |
| 7           | 106-7159           | 2           | O-Ring             |             |                    |             |                    |

# LH Hydro Assembly No. 135-7907

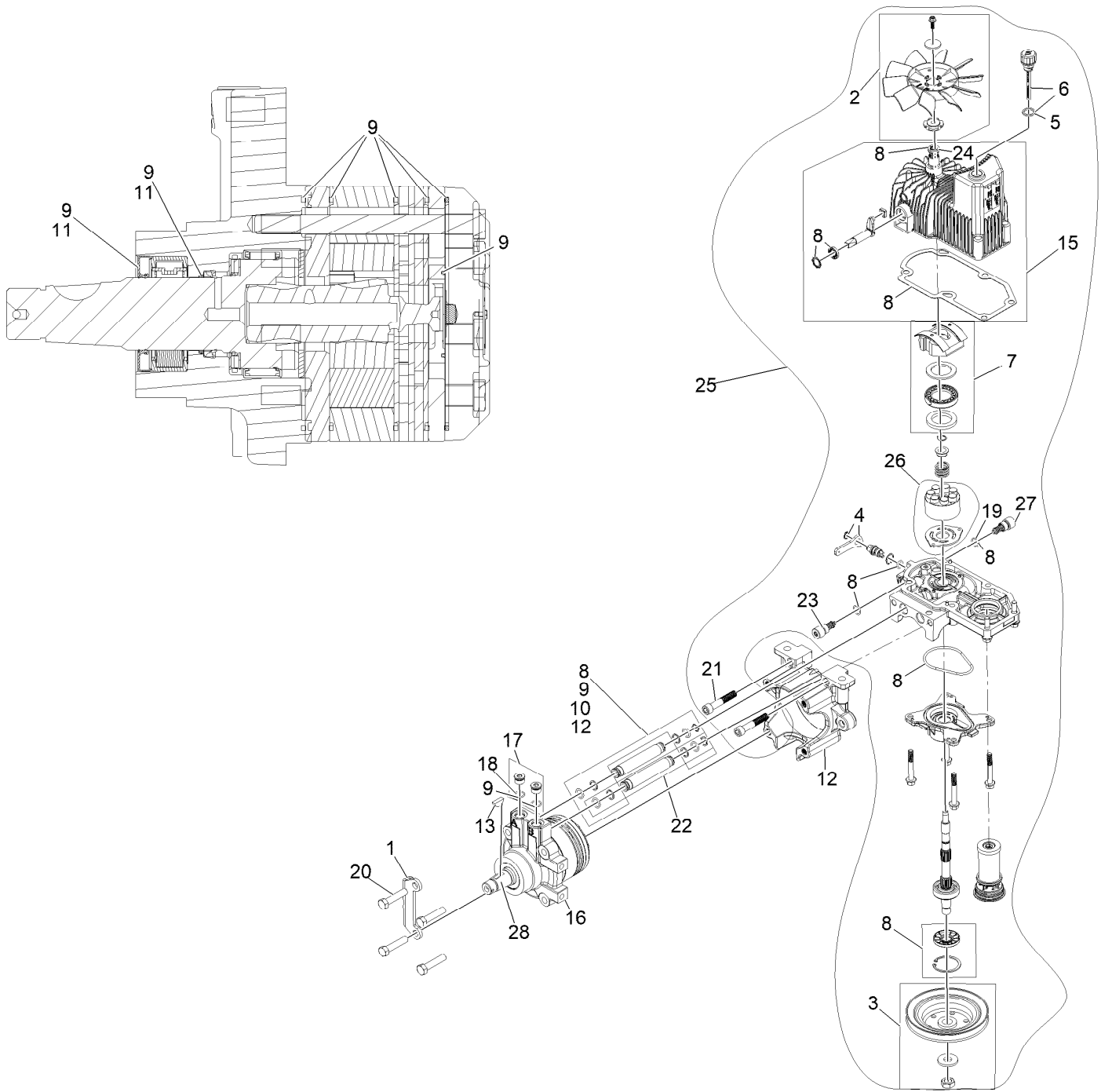


## LH Hydro Assembly No. 135-7907 (continued)

| <i>Ref.</i> | <i>Part Number</i> | <i>Qty.</i> | <i>Description</i>         | <i>Ref.</i> | <i>Part Number</i> | <i>Qty.</i> | <i>Description</i>                |
|-------------|--------------------|-------------|----------------------------|-------------|--------------------|-------------|-----------------------------------|
| 2           | 142-3603           | 1           | Kit, 7.8 In Fan            | 17          | 116-7901           | 1           | Magnetic Plugs Service Kit        |
| 3           | 116-0234           | 1           | Pulley Kit                 | 18          | 76-1900            | 2           | O-Ring                            |
| 4           | 116-0235           | 1           | Handle                     | 19          | 116-8662           | 2           | O-Ring-Valve, Check               |
| 5           | 116-0236           | 1           | Dipstick                   | 20          | 116-8974           | 4           | Screw-HH 1/2-20 X 2 1/4           |
| 6           | 116-0237           | 1           | Gasket                     | 21          | 116-8975           | 2           | Screw-HSH 1/2-20 X 2 3/4          |
| 7           | 116-1367           | 1           | Swash Block Kit            | 22          | 116-9922           | 2           | Hydraulic Tube Kit                |
| 8           | 142-3604           | 1           | Kit, Pump Seal             | 23          | 126-7467           | 1           | Shock Valve, 16Cc Hydro           |
| 9           | 116-1369           | 1           | Motor Seal Kit             | 24          | 126-7711           | 1           | Seal-Drive, Fan                   |
| 10          | 116-1370           | 1           | Tube Seal Kit              | 25          | 142-3607           | 1           | Kit, Pump Section 16Cc LH         |
| 11          | 116-1371           | 1           | Output Shaft Seal Kit      | 26          | 142-4501           | 1           | Kit - 16Cc Port Plate, Rotate Grp |
| 12          | 116-5469           | 1           | Cup-Nose                   |             |                    |             |                                   |
| 13          | 3257-42            | 1           | Key-Woodruff 5/16 X 1      | 27          | 142-4458           | 1           | Shock Valve Orificed 3300         |
| 15          | 142-4460           | 1           | Kit, Housing-Hydro LH      | 28          | 146-3749           | 1           | Output Shaft- TI Uht Motor        |
| 16          | 146-1948           | 1           | HYD Motor, 280Cc LH Sealed | 99          | 116-1373           | 1           | Flow Test Kit ●                   |

● Not illustrated

# RH Hydro Assembly No. 135-7908



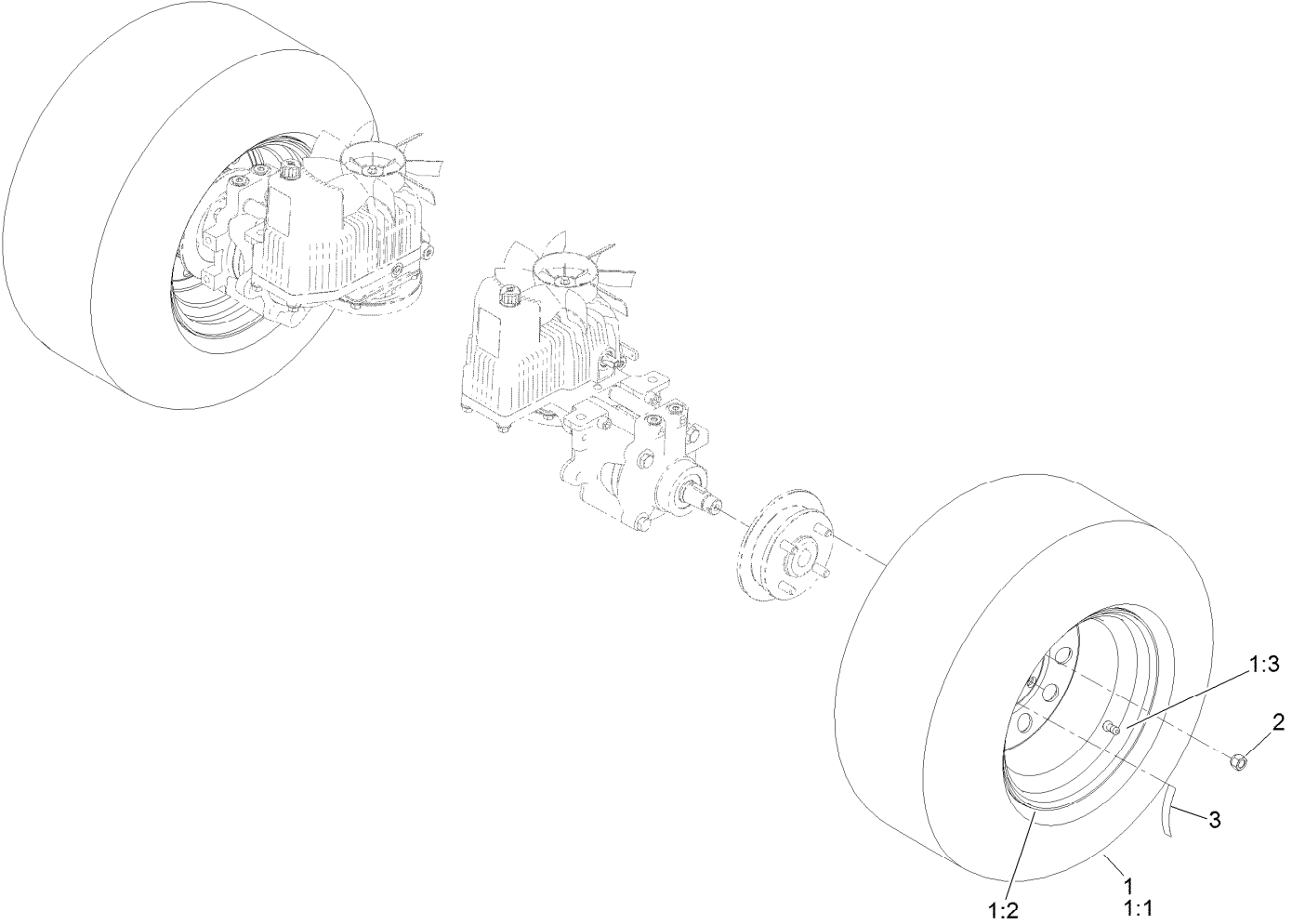


## RH Hydro Assembly No. 135-7908 (continued)

| <i>Ref.</i> | <i>Part Number</i> | <i>Qty.</i> | <i>Description</i>         | <i>Ref.</i> | <i>Part Number</i> | <i>Qty.</i> | <i>Description</i>                |
|-------------|--------------------|-------------|----------------------------|-------------|--------------------|-------------|-----------------------------------|
| 1           | 135-7827           | 1           | Plate, Horse Shoe Mount    | 17          | 116-7901           | 1           | Magnetic Plugs Service Kit        |
| 2           | 142-3603           | 1           | Kit, 7.8 In Fan            | 18          | 76-1900            | 2           | O-Ring                            |
| 3           | 116-0234           | 1           | Pulley Kit                 | 19          | 116-8662           | 2           | O-Ring-Valve, Check               |
| 4           | 116-0235           | 1           | Handle                     | 20          | 116-8974           | 4           | Screw-HH 1/2-20 X 2 1/4           |
| 5           | 116-0237           | 1           | Gasket                     | 21          | 116-8975           | 2           | Screw-HSH 1/2-20 X 2 3/4          |
| 6           | 116-0236           | 1           | Dipstick                   | 22          | 116-9922           | 2           | Hydraulic Tube Kit                |
| 7           | 116-1367           | 1           | Swash Block Kit            | 23          | 126-7467           | 1           | Shock Valve, 16Cc Hydro           |
| 8           | 142-3604           | 1           | Kit, Pump Seal             | 24          | 126-7711           | 1           | Seal-Drive, Fan                   |
| 9           | 116-1369           | 1           | Motor Seal Kit             | 25          | 142-3606           | 1           | Kit, Pump Section 16Cc RH         |
| 10          | 116-1370           | 1           | Tube Seal Kit              | 26          | 142-4501           | 1           | Kit - 16Cc Port Plate, Rotate Grp |
| 11          | 116-1371           | 1           | Output Shaft Seal Kit      |             |                    |             |                                   |
| 12          | 116-5469           | 1           | Cup-Nose                   | 27          | 142-4458           | 1           | Shock Valve Orificed 3300         |
| 13          | 3257-42            | 1           | Key-Woodruff 5/16 X 1      | 28          | 146-3749           | 1           | Output Shaft- TI Uht Motor        |
| 15          | 142-4461           | 1           | Kit, Housing-Hydro RH      | 99          | 116-1373           | 1           | Flow Test Kit ●                   |
| 16          | 146-1947           | 1           | HYD Motor, 280Cc RH Sealed | 99          | 116-4245           | 1           | Puller-Pulley                     |

● Not illustrated

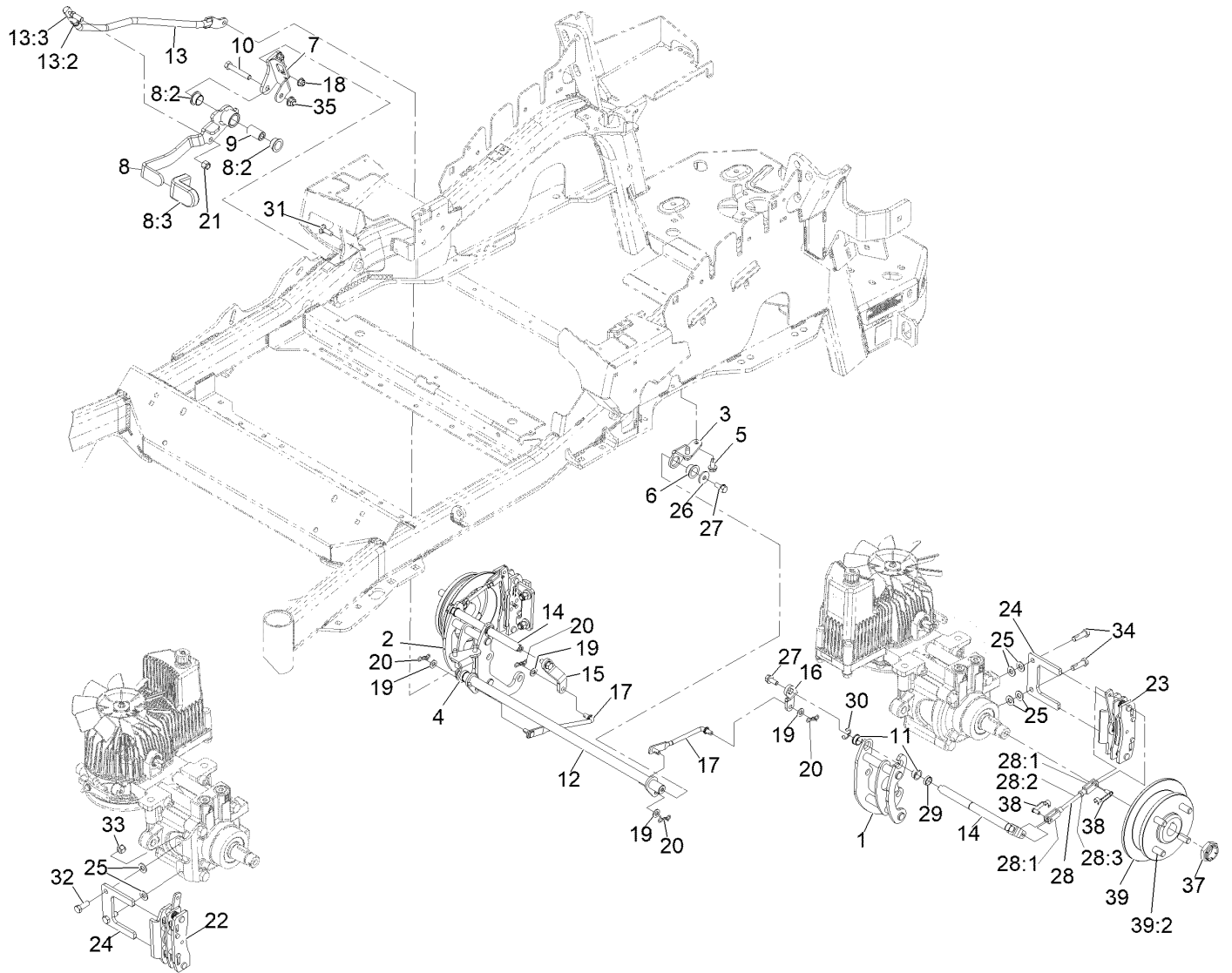
# Rear Wheel Assembly



## Rear Wheel Assembly (continued)

| <i>Ref.</i> | <i>Part Number</i> | <i>Qty.</i> | <i>Description</i> | <i>Ref.</i> | <i>Part Number</i> | <i>Qty.</i> | <i>Description</i>             |
|-------------|--------------------|-------------|--------------------|-------------|--------------------|-------------|--------------------------------|
| 1           | 127-9521           | 2           | Wheel And Tire ASM | 2           | 242-50             | 8           | Nut-Lug                        |
| 1:1         | 1-633993           | 1           | Tire               | 3           | 126-2055           | 2           | Decal-Torque, Wheel Hub<br>Lug |
| 1:2         | 127-9522           | 1           | Wheel              |             |                    |             |                                |
| 1:3         | 232-27             | 1           | Stem-Valve         |             |                    |             |                                |

# Park Brake Assembly

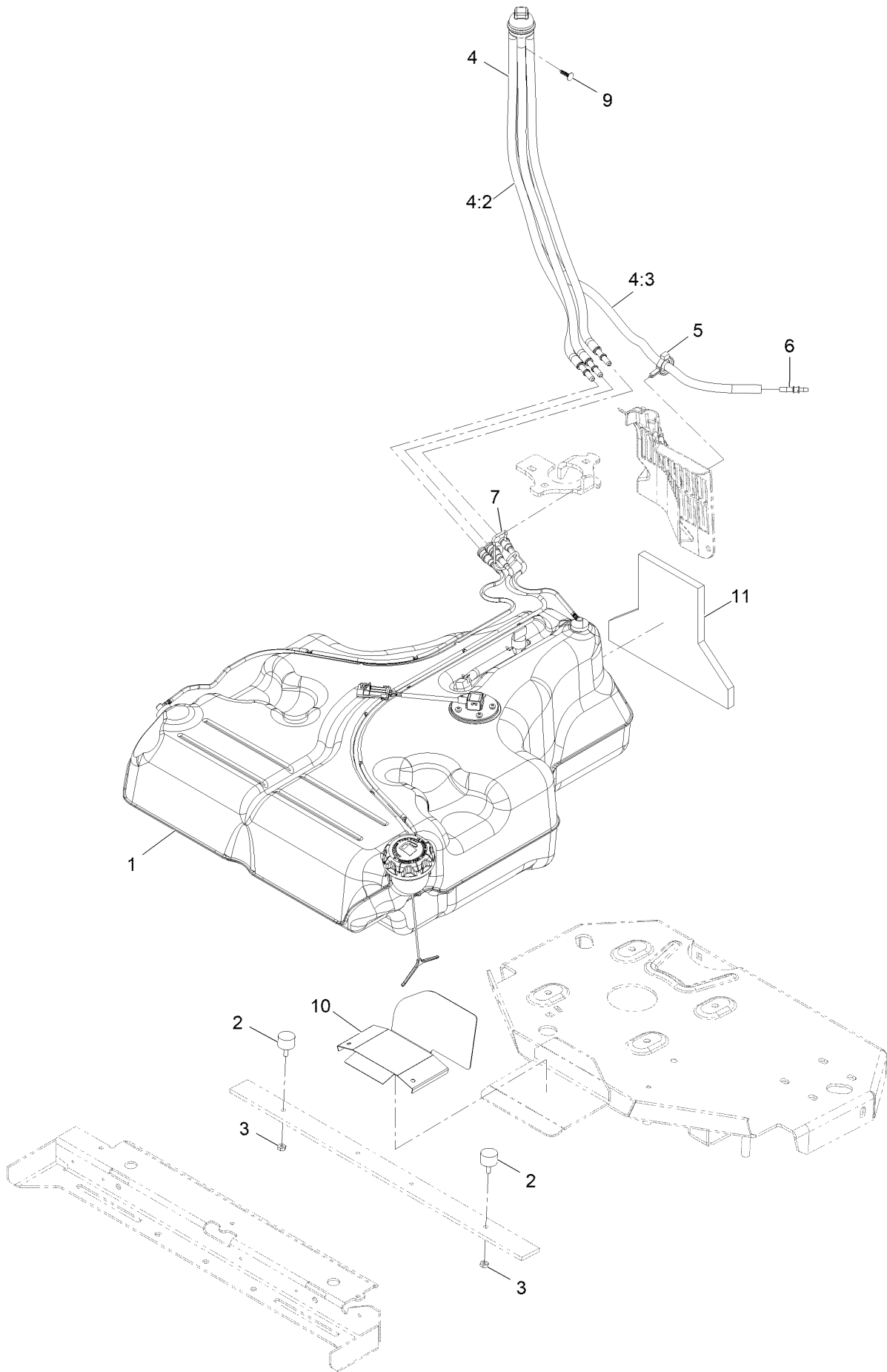


REAR VIEW OF  
RIGHT HAND HYDRO

## Park Brake Assembly (continued)

| <i>Ref.</i> | <i>Part Number</i> | <i>Qty.</i> | <i>Description</i>            | <i>Ref.</i> | <i>Part Number</i> | <i>Qty.</i> | <i>Description</i>        |
|-------------|--------------------|-------------|-------------------------------|-------------|--------------------|-------------|---------------------------|
| 1           | 126-4248           | 1           | Mount-Bellcrank, LH           | 20          | 119-1415           | 4           | Pin-Cotter, Locking       |
| 2           | 126-4249           | 1           | Mount-Bellcrank, RH           | 21          | 3296-6             | 1           | Nut-Nyloc 3/8-24          |
| 3           | 116-9681           | 1           | Mount-Pivot, LH               | 22          | 135-7440           | 1           | Caliper-Brake, RH         |
| 4           | 116-9682           | 1           | Mount-Pivot, RH               | 23          | 135-7441           | 1           | Caliper-Brake, LH         |
| 5           | 32144-70           | 4           | Screw-HWH 5/16-18 X 3/4<br>Tf | 24          | 135-7828           | 2           | Plate-Mount, Brake        |
| 6           | 109-8054           | 2           | Bushing-Flanged               | 25          | 3256-24            | 6           | Washer-3/8 SAE            |
| 7           | 116-9096-01        | 1           | Bracket-Mount                 | 26          | 115-7109           | 2           | Washer-Flat               |
| 8           | 135-7565           | 1           | Brake Lever ASM               | 27          | 98-9940            | 4           | Screw-HHF                 |
| 8:2         | 109-8054           | 2           | Bushing-Flanged               | 28          | 126-7587           | 2           | Rear Linkage ASM          |
| 8:3         | 132-4749           | 1           | Grip-Lever                    | 28:1        | 126-7588           | 2           | Yoke                      |
| 9           | 116-9117           | 1           | Pivot-Handle, Brake           | 28:2        | 116-9069           | 1           | Linkage, Rear             |
| 10          | 323-11             | 1           | Screw-HH 3/8-16 X 2 1/4       | 28:3        | 3220-1             | 1           | Nut-Jam 1/4-28            |
| 11          | 126-6199           | 4           | Bushing                       | 29          | 126-6200           | 2           | Spacer                    |
| 12          | 135-7800           | 1           | Shaft-Cross                   | 30          | 32120-19           | 2           | E-Ring                    |
| 13          | 135-7805           | 1           | ASM, Front Linkage            | 31          | 3230-2             | 2           | Bolt-Carriage 5/16-18 X 1 |
| 13:2        | 94-7572            | 1           | End-Tie Rod, RH               | 32          | 135-7915           | 2           | Screw-HH,                 |
| 13:3        | 3220-3             | 1           | Nut-Jam 3/8-24                | 33          | 112-0236           | 2           | Nut-Lock                  |
| 14          | 126-4251           | 2           | Bellcrank                     | 34          | 135-7890           | 2           | Screw-HH, Patch,          |
| 15          | 126-3716           | 1           | Arm-Inner, RH                 | 35          | 104-8301           | 1           | Nut-Nyloc 3/8-16 Flg      |
| 16          | 126-3715           | 1           | Arm-Inner, LH                 | 37          | 116-1399           | 2           | Locknut                   |
| 17          | 142-6328           | 2           | Mid-Link, Short               | 38          | 126-6395           | 4           | Pin-Clevis, Spring        |
| 18          | 104-8300           | 2           | Nut-Nyloc 5/16-18 Flg         | 39          | 142-2701           | 2           | Wheel Hub ASM             |
| 19          | 3256-23            | 4           | Washer-5/16 SAE               | 39:2        | 116-1696           | 4           | Stud-Wheel                |

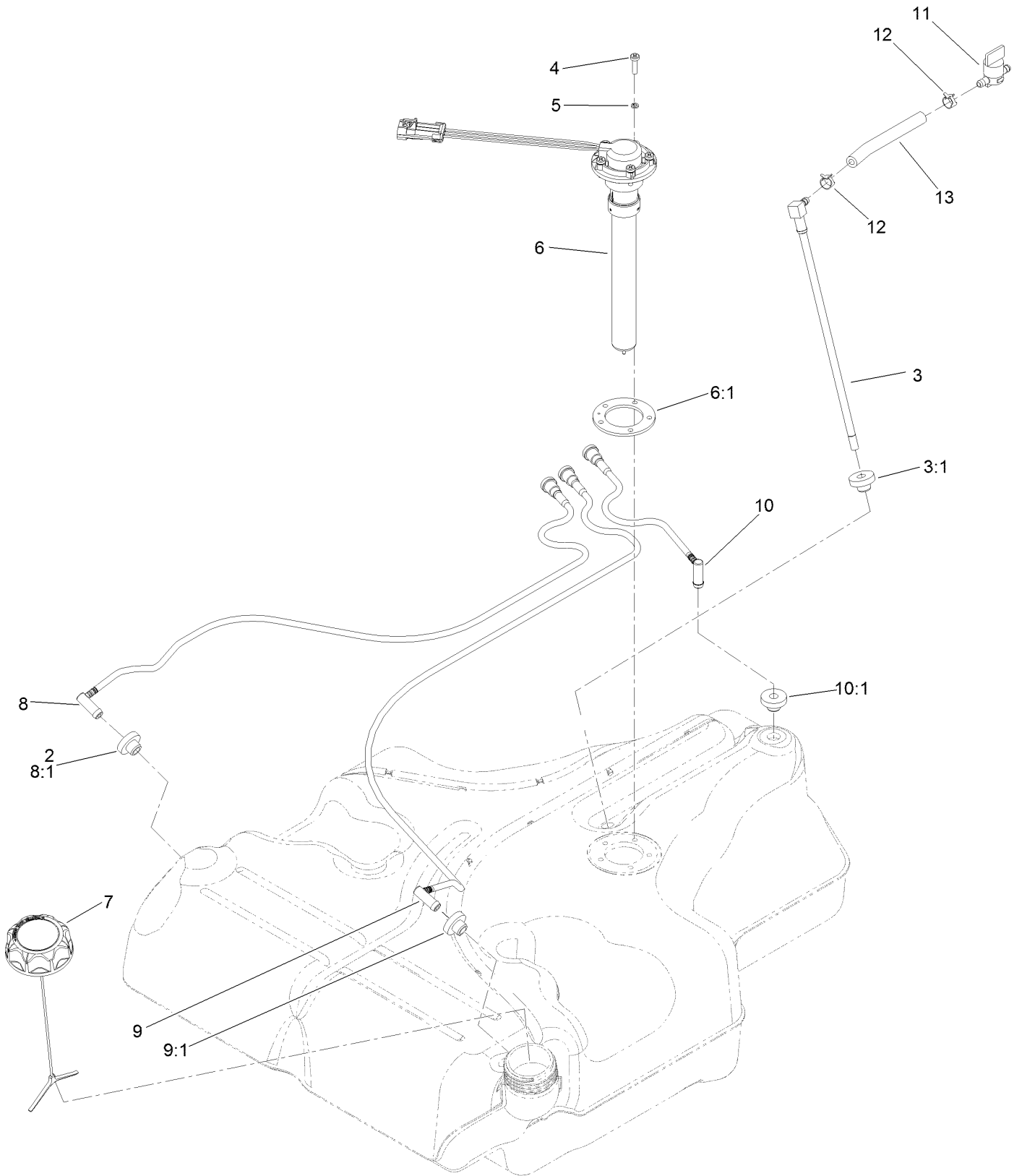
# Fuel Assembly



## Fuel Assembly (continued)

| <i>Ref.</i> | <i>Part Number</i> | <i>Qty.</i> | <i>Description</i>     | <i>Ref.</i> | <i>Part Number</i> | <i>Qty.</i> | <i>Description</i>         |
|-------------|--------------------|-------------|------------------------|-------------|--------------------|-------------|----------------------------|
| 1           | 135-0643           | 1           | Fuel Tank ASM          | 5           | 105-1853           | 1           | Clamp-Hose                 |
| 2           | 1-523420           | 2           | Bumper                 | 6           | 135-5678           | 1           | Barb-Fuel                  |
| 3           | 3218-1             | 2           | Nut-Jam 1/4-20         | 7           | 116-6005           | 1           | Retainer-Line, Vapor       |
| 4           | 127-0583           | 1           | Fuel Manifold Vent ASM | 9           | 125-8067           | 1           | Plug-Plastic               |
| 4:2         | 109-0302           | 3           | Hose-Fuel Line 24"     | 10          | 126-0032-01        | 1           | Guard-Exhaust              |
| 4:3         | 108-5376           | 1           | Hose-Fuel              | 11          | 126-0224           | 1           | Insulation-Foam, Fuel Tank |

# Fuel Tank Assembly No. 135-0643

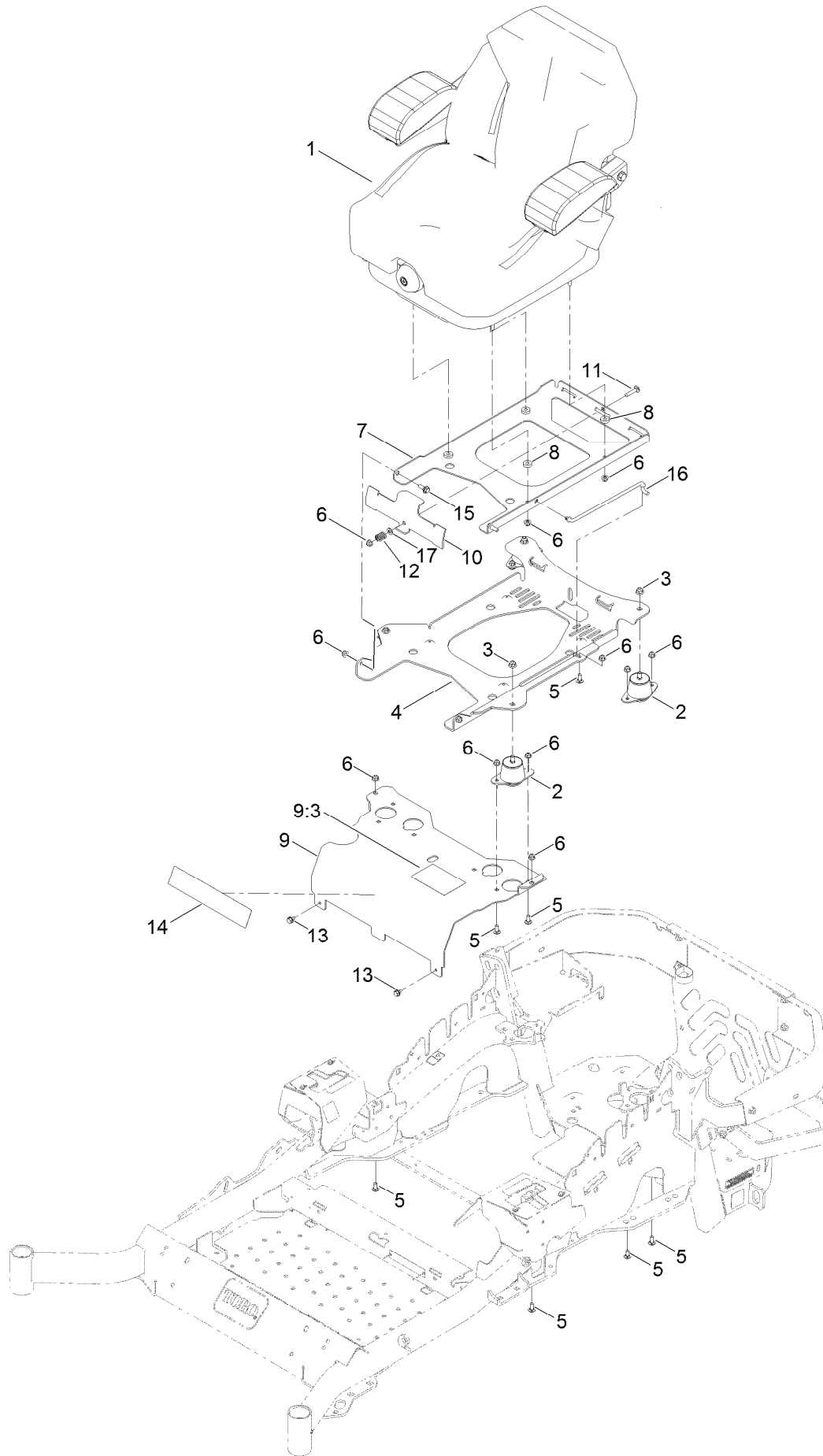




## Fuel Tank Assembly No. 135-0643 (continued)

| <i>Ref.</i> | <i>Part Number</i> | <i>Qty.</i> | <i>Description</i>              | <i>Ref.</i> | <i>Part Number</i> | <i>Qty.</i> | <i>Description</i>                |
|-------------|--------------------|-------------|---------------------------------|-------------|--------------------|-------------|-----------------------------------|
| 2           | 46-6560            | 4           | Bushing                         | 8:1         | 46-6560            | 1           | Bushing                           |
| 3           | 116-2459           | 1           | Fuel Line Kit (With Grommet)    | 9           | 116-2461           | 1           | LH Vent Line Kit (With Grommet)   |
| 3:1         | 46-6560            | 1           | Bushing                         | 9:1         | 46-6560            | 1           | Bushing                           |
| 4           | 3290-500           | 5           | Screw-PPH                       | 10          | 116-2462           | 1           | Rear Vent Line Kit (With Grommet) |
| 5           | 3253-17            | 5           | Washer-Lock                     | 10:1        | 46-6560            | 1           | Bushing                           |
| 6           | 126-3913           | 1           | Float-Sender, Fuel              | 11          | 1-603770           | 1           | Valve-Fuel                        |
| 6:1         | 126-3950           | 1           | Gasket-Sender                   | 12          | 2412-98            | 2           | Clamp-Hose                        |
| 7           | 126-1789           | 1           | Cap-Fuel, Ratcheting            | 13          | 109-0650           | 1           | Hose-Fuel                         |
| 8           | 116-2460           | 1           | RH Vent Line Kit (With Grommet) |             |                    |             |                                   |

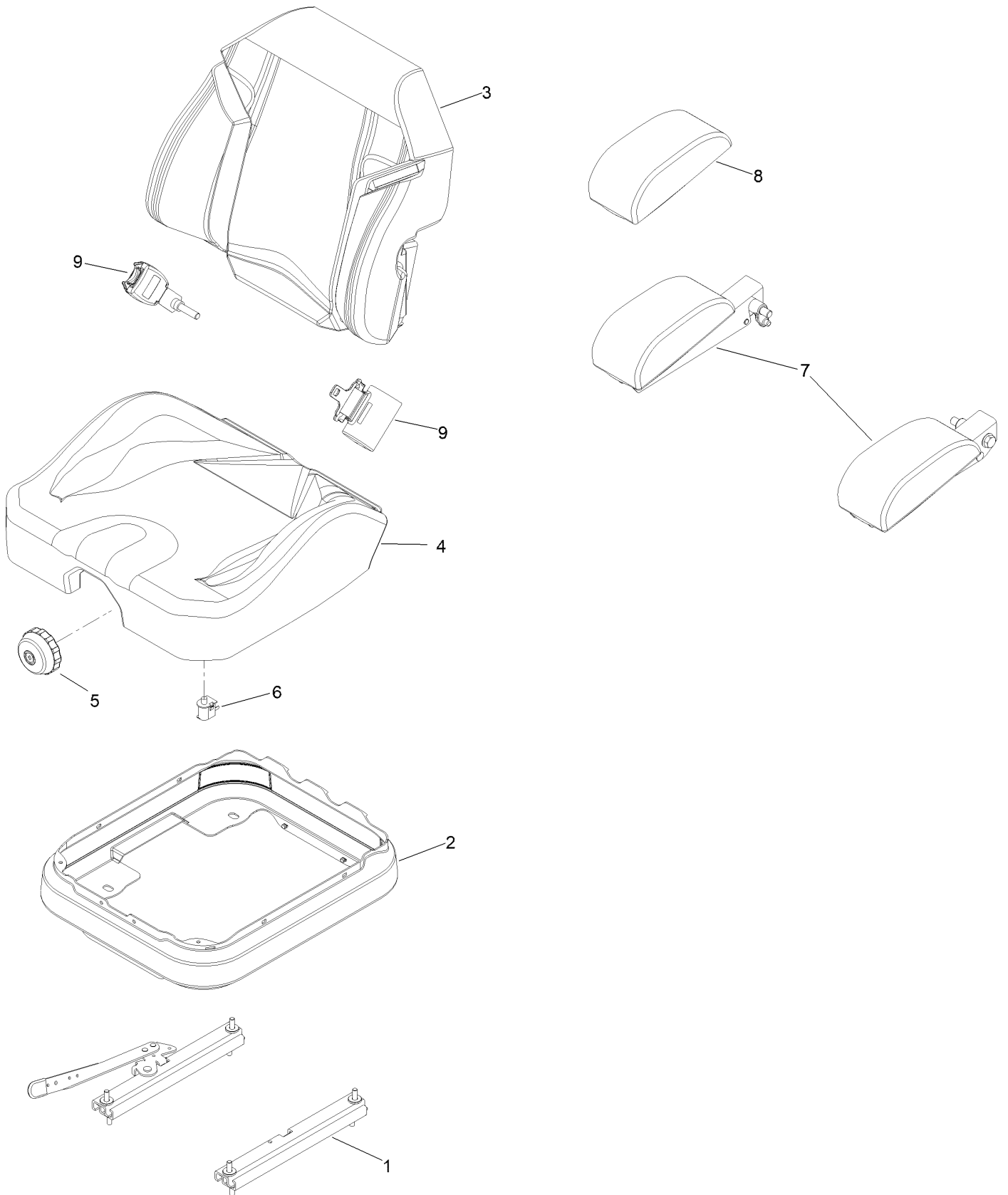
# Seat Mounting Assembly



## Seat Mounting Assembly (continued)

| <i>Ref.</i> | <i>Part Number</i> | <i>Qty.</i> | <i>Description</i>       | <i>Ref.</i> | <i>Part Number</i> | <i>Qty.</i> | <i>Description</i> |
|-------------|--------------------|-------------|--------------------------|-------------|--------------------|-------------|--------------------|
| 1           | 147-4984           | 1           | Seat-Suspension          | 9:3         | 125-9383           | 1           | Decal-Service Aid  |
| 2           | 109-9034           | 4           | Isolator-Seat            | 10          | 109-9881-03        | 1           | Plate-Latch, Seat  |
| 3           | 104-8301           | 4           | Nut-HF, NI               | 11          | 3230-4             | 1           | Bolt-CARR          |
| 4           | 116-3860-03        | 1           | Plate-Tilt, Seat Support | 12          | 107-3017           | 1           | Spring-Compression |
| 5           | 3230-23            | 11          | Bolt-CARR                | 13          | 9266934            | 2           | Screw              |
| 6           | 104-8300           | 18          | Nut-HF, NI               | 14          | 140-1215           | 1           | Decal-Console      |
| 7           | 116-3859-03        | 1           | Plate-Frame, Seat        | 15          | 116-1297           | 2           | Screw-Shoulder     |
| 8           | 26-4840            | 4           | Spacer-Pin, Mounting     | 16          | 116-0070           | 1           | Rod-Prop           |
| 9           | 125-9385           | 1           | Seat Mount ASM           | 17          | 3256-23            | 1           | Washer-Plain       |

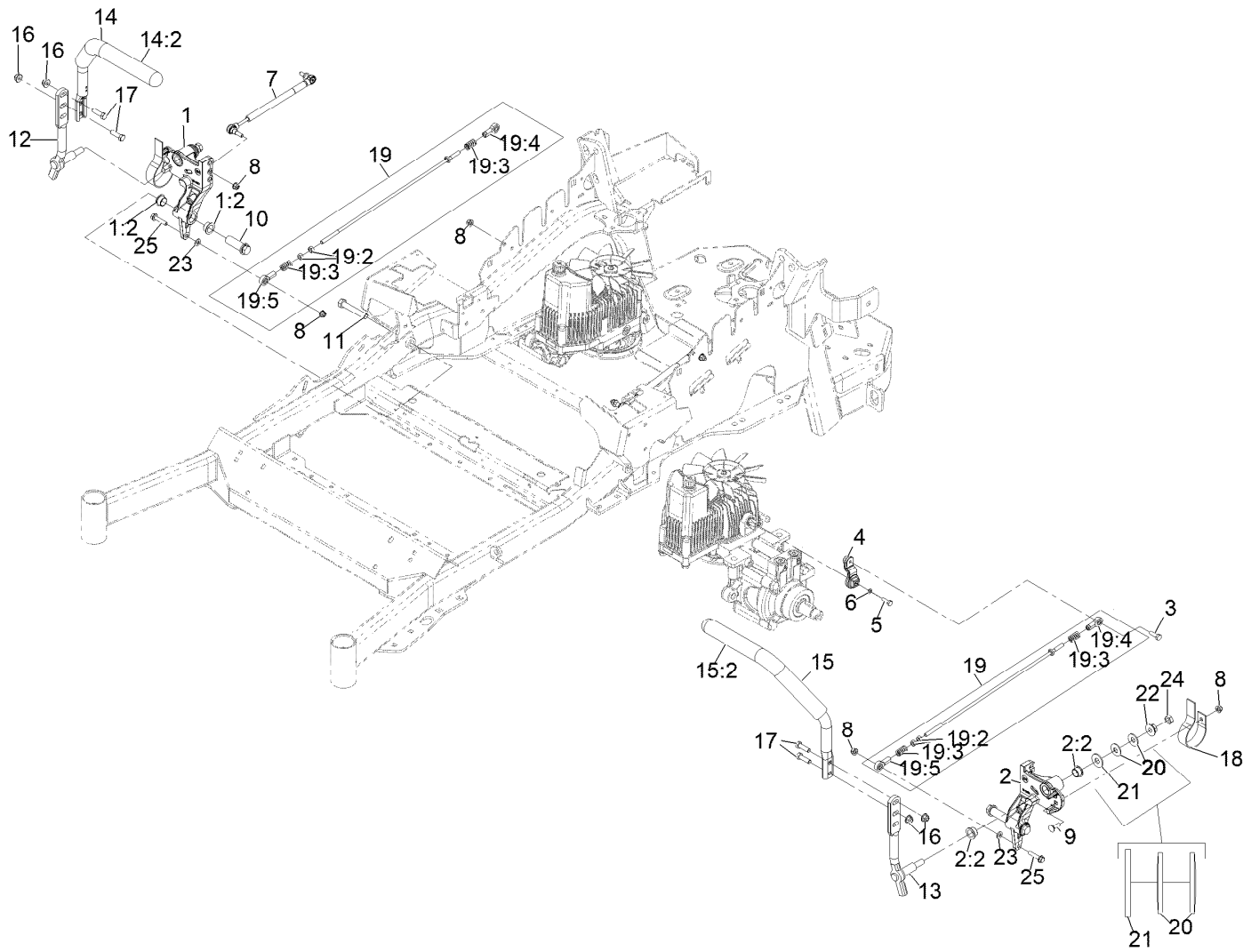
# Seat Assembly No. 147-4984



## Seat Assembly No. 147-4984 (continued)

| <i>Ref.</i> | <i>Part Number</i> | <i>Qty.</i> | <i>Description</i>       | <i>Ref.</i> | <i>Part Number</i> | <i>Qty.</i> | <i>Description</i>    |
|-------------|--------------------|-------------|--------------------------|-------------|--------------------|-------------|-----------------------|
| 1           | 140-8012           | 1           | Seat Track Set           | 6           | 82-2190            | 1           | Switch-Bail           |
| 2           | 116-5659           | 1           | Cover-Suspension Bellows | 7           | 147-4985           | 1           | Armrest Kit           |
| 3           | 140-8004           | 1           | Cover-Back               | 8           | 109-9802           | 1           | Arm Rest Pad Set      |
| 4           | 140-8005           | 1           | Cover-Cushion            | 9           | 126-2061           | 1           | Seat Belt Service Kit |
| 5           | 116-8911           | 1           | Knob-Adjuster            |             |                    |             |                       |

# Motion Control Assembly

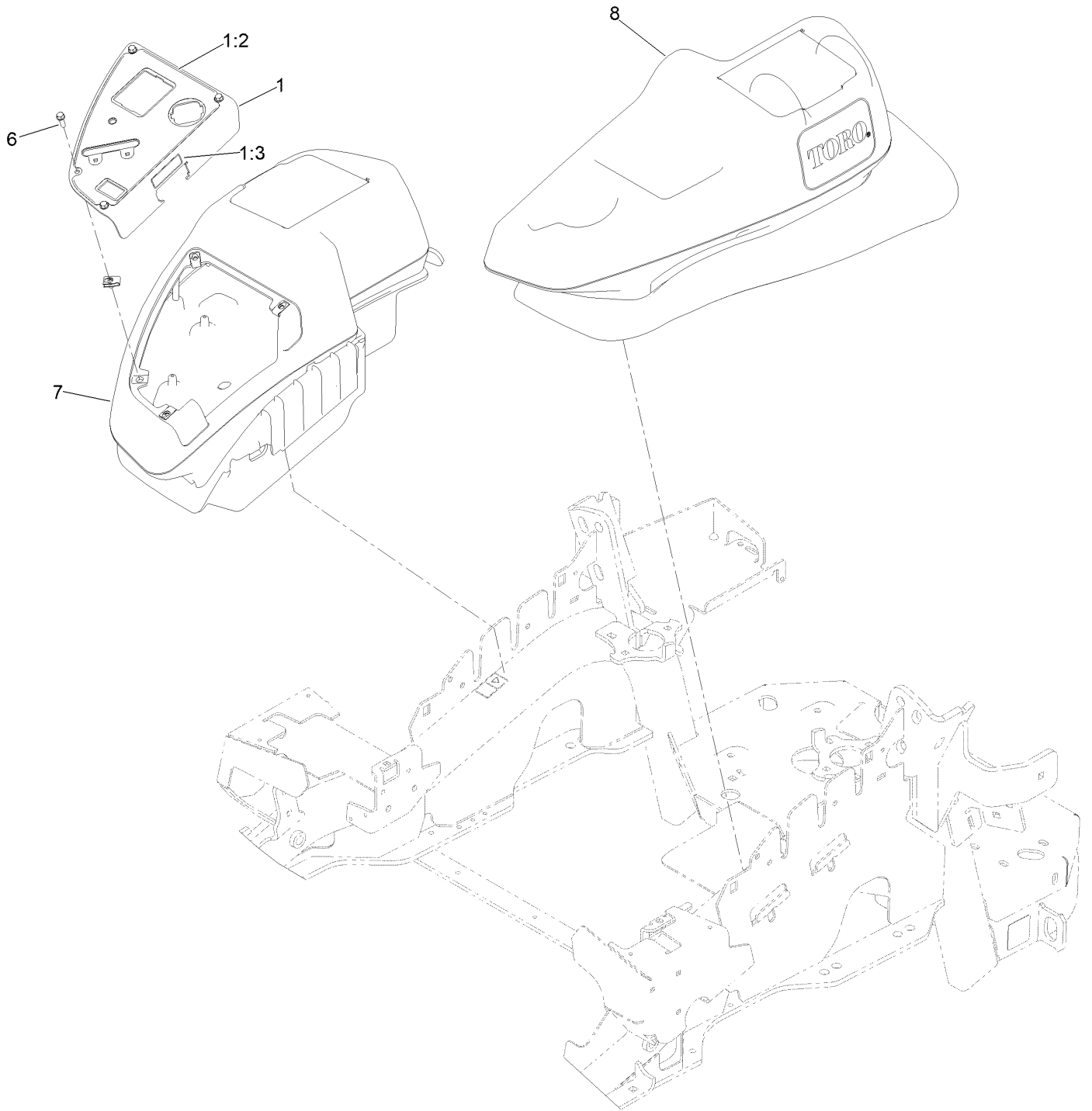


## Motion Control Assembly (continued)

| <i>Ref.</i> | <i>Part Number</i> | <i>Qty.</i> | <i>Description</i>                | <i>Ref.</i> | <i>Part Number</i> | <i>Qty.</i> | <i>Description</i>               |
|-------------|--------------------|-------------|-----------------------------------|-------------|--------------------|-------------|----------------------------------|
| 1           | 116-0880           | 1           | RH Motion Control And Bushing ASM | 14:2        | 109-5668           | 1           | Grip-Lever, Control              |
| 1:2         | 109-8054           | 4           | Bushing-Flanged                   | 15          | 135-4373           | 1           | LH Handle ASM                    |
| 2           | 116-0881           | 1           | LH Motion Control And Bushing ASM | 15:2        | 109-5668           | 1           | Grip-Lever, Control              |
| 2:2         | 109-8054           | 4           | Bushing-Flanged                   | 16          | 104-8301           | 4           | Nut-Nyloc 3/8-16 Flg             |
| 3           | 116-0648           | 2           | Screw-HH 5/16-18 X 1 W/Patch ●    | 17          | 323-7              | 4           | Screw-HH 3/8-16 X 1 1/4          |
| 4           | 109-4581           | 2           | Arm-Control, Pump                 | 18          | 109-5575           | 2           | Spring-Leaf                      |
| 5           | 9080046            | 2           | Screw-HH 1/4-20 X 7/8 ●           | 19          | 109-8106           | 2           | Front Pump Linkage ASM           |
| 6           | 1-303435           | 2           | Washer-Spring Disc 1/4            | 19:2        | 3219-2             | 2           | Nut-Hex 5/16-24                  |
| 7           | 116-0027           | 2           | Damper-Control, Motion            | 19:3        | 1-323245           | 2           | Spring-Compression               |
| 8           | 104-8300           | 8           | Nut-Nyloc 5/16-18 Flg             | 19:4        | 1-633152           | 1           | Balljoint                        |
| 9           | 3230-2             | 2           | Bolt-Carriage 5/16-18 X 1         | 19:5        | 1-543017           | 1           | Balljoint                        |
| 10          | 109-5891           | 2           | Hub-Threaded                      | 20          | 109-9505           | 4           | Washer, Spring Disc 1/2          |
| 11          | 325-12             | 2           | Screw-HH 1/2-13 X 3               | 21          | 3256-6             | 2           | Washer                           |
| 12          | 116-0039           | 1           | Lever-Control Motion, RH          | 22          | 32128-56           | 2           | Nut-Hex 1/2-13 Flange            |
| 13          | 116-0040           | 1           | Lever-Control Motion, LH          | 23          | 3256-23            | 2           | Washer-5/16 SAE                  |
| 14          | 135-4371           | 1           | RH Handle ASM                     | 24          | 3218-5             | 2           | Nut-Jam 1/2-13                   |
|             |                    |             |                                   | 25          | 115-1794           | 2           | Screw-Hex Flange 5/16-18 X 1 1/2 |

● Use Pro-Lock, Nut Type (P/N 1-840022, .5ml tube) on threads.

# Console and Control Panel Assembly

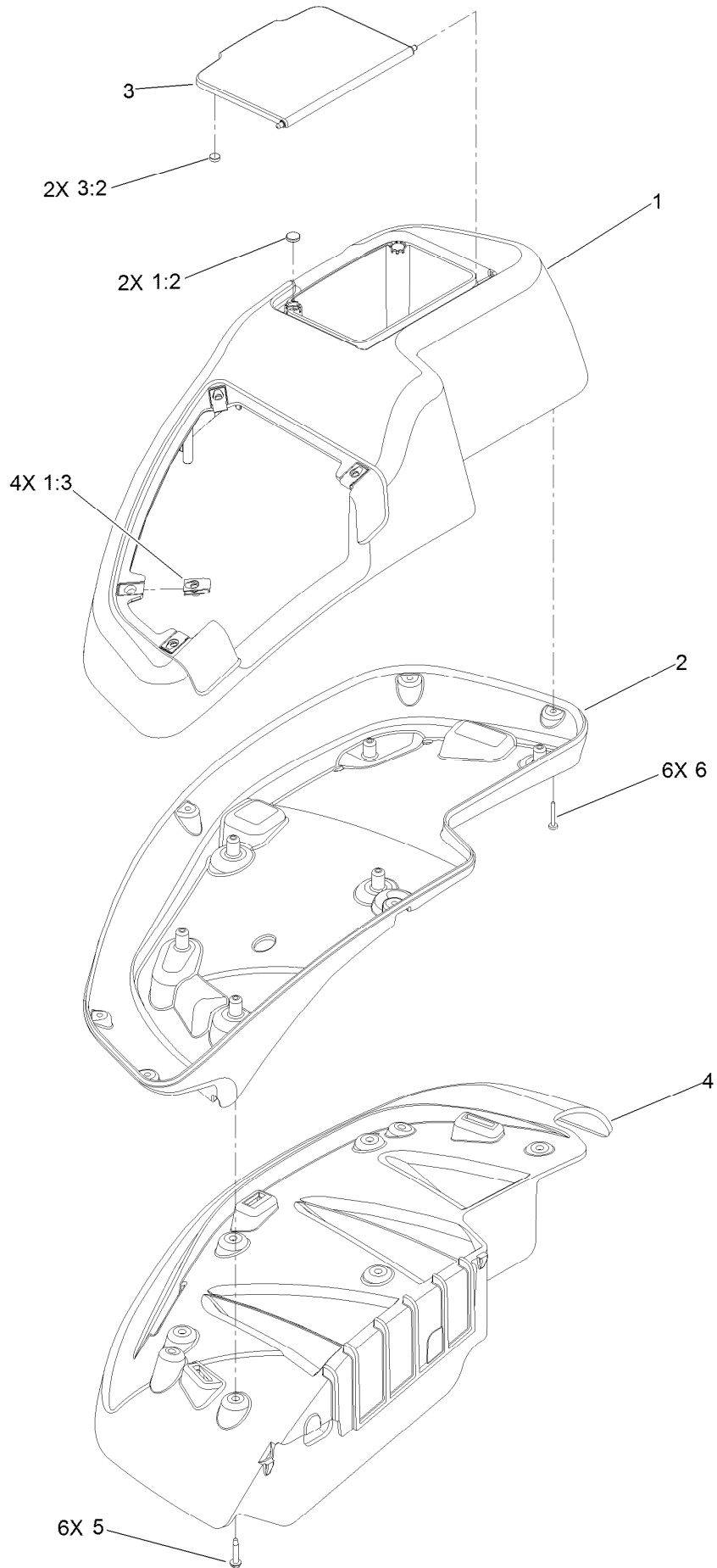




## Console and Control Panel Assembly (continued)

| <i>Ref.</i> | <i>Part Number</i> | <i>Qty.</i> | <i>Description</i>  | <i>Ref.</i> | <i>Part Number</i> | <i>Qty.</i> | <i>Description</i> |
|-------------|--------------------|-------------|---------------------|-------------|--------------------|-------------|--------------------|
| 1           | 119-4232           | 1           | Control Panel ASM   | 6           | 32105-15           | 4           | Screw-HWH          |
| 1:2         | 120-5899           | 1           | Decal-Control Panel | 7           | 115-7400           | 1           | RH Console ASM     |
| 1:3         | 114-4466           | 1           | Decal-Fuses         | 8           | 115-7401           | 1           | LH Console ASM     |

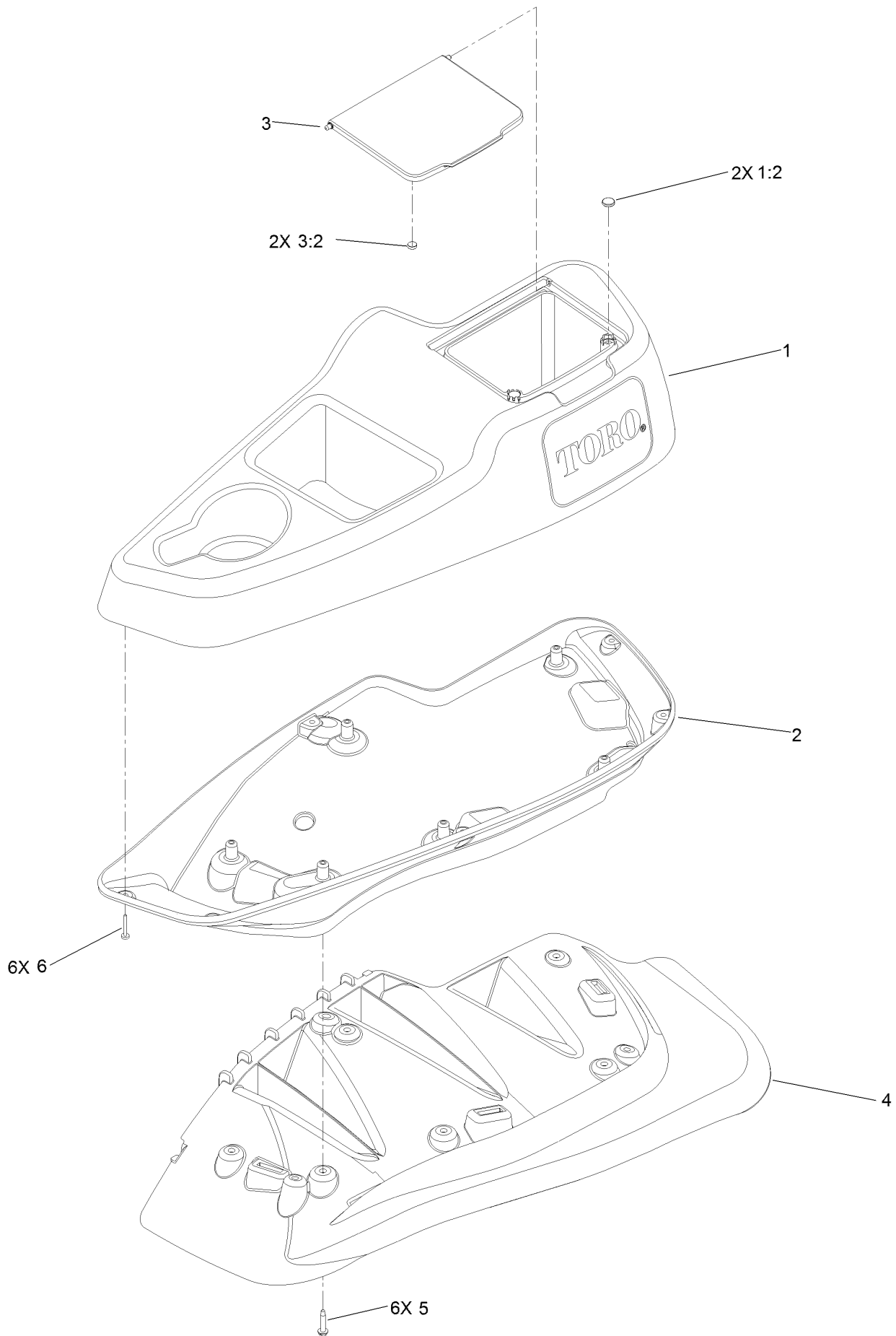
# RH Console Assembly No. 115-7400



## RH Console Assembly No. 115-7400 (continued)

| <i>Ref.</i> | <i>Part Number</i> | <i>Qty.</i> | <i>Description</i>      | <i>Ref.</i> | <i>Part Number</i> | <i>Qty.</i> | <i>Description</i>   |
|-------------|--------------------|-------------|-------------------------|-------------|--------------------|-------------|----------------------|
| 1           | 114-1538           | 1           | RH Wide Top Console ASM | 3:2         | 114-5896           | 2           | Magnet               |
| 1:2         | 117-0883           | 2           | Puck                    | 4           | 109-9083           | 1           | Fender-Wide, RH      |
| 1:3         | 107069             | 4           | Clip                    | 5           | 32144-89           | 6           | Screw-Thread Forming |
| 2           | 115-3643           | 1           | Console-Lower, RH Wide  | 6           | 117-0347           | 6           | Screw-PPH            |
| 3           | 114-1537           | 1           | Wide Lid ASM            |             |                    |             |                      |

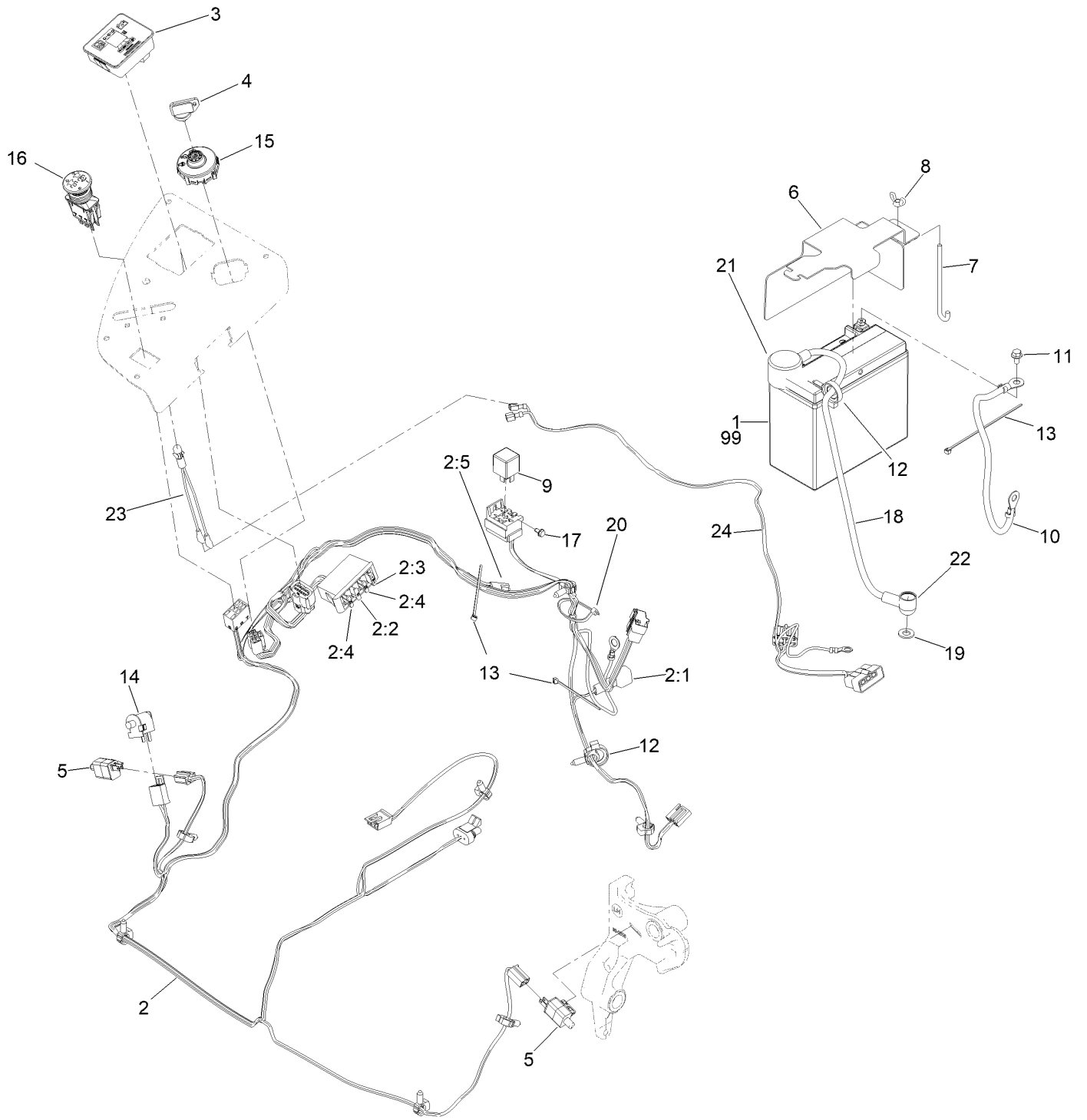
# LH Console Assembly No. 115-7401



# LH Console Assembly No. 115-7401 (continued)

| <i>Ref.</i> | <i>Part Number</i> | <i>Qty.</i> | <i>Description</i>      | <i>Ref.</i> | <i>Part Number</i> | <i>Qty.</i> | <i>Description</i>   |
|-------------|--------------------|-------------|-------------------------|-------------|--------------------|-------------|----------------------|
| 1           | 114-1539           | 1           | LH Wide Console Top ASM | 3:2         | 114-5896           | 2           | Magnet               |
| 1:2         | 117-0883           | 2           | Puck                    | 4           | 109-9085           | 1           | Fender-Wide, LH      |
| 2           | 115-3641           | 1           | Console-Lower, LH Wide  | 5           | 32144-89           | 6           | Screw-Thread Forming |
| 3           | 114-1537           | 1           | Wide Lid ASM            | 6           | 117-0347           | 6           | Screw-PPH            |

# Electrical Assembly

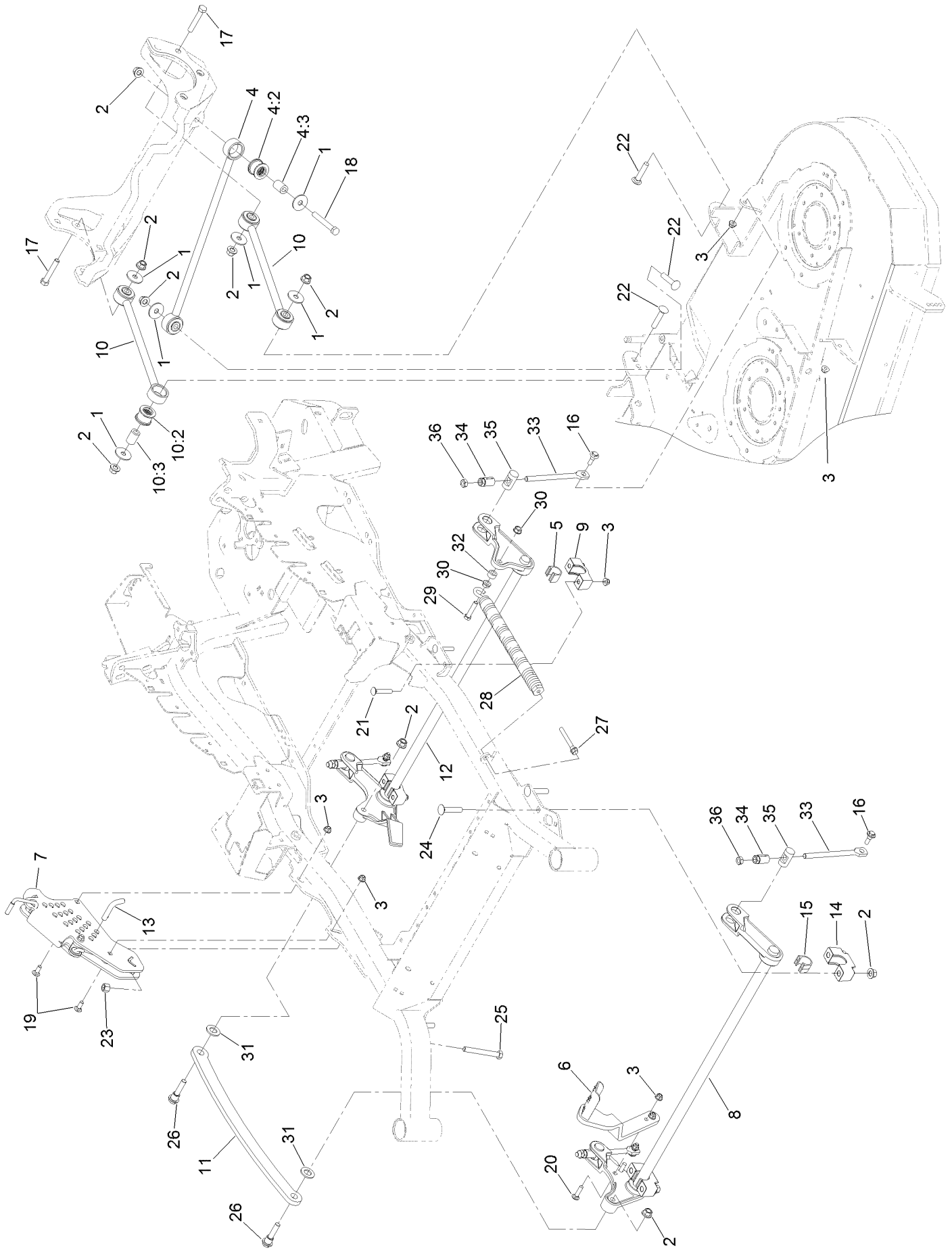


## Electrical Assembly (continued)

| <i>Ref.</i> | <i>Part Number</i> | <i>Qty.</i> | <i>Description</i>         | <i>Ref.</i> | <i>Part Number</i> | <i>Qty.</i> | <i>Description</i>      |
|-------------|--------------------|-------------|----------------------------|-------------|--------------------|-------------|-------------------------|
| 1           | 142-7345           | 1           | Battery-Agm                | 11          | 126-2713           | 2           | Screw-HHF               |
| 2           | 116-6009           | 1           | Harness-Wire, Main ●       | 12          | 105-1853           | 2           | Clamp-Hose              |
| 2:1         | 103-3895           | 1           | Diode                      | 13          | 1-303287           | 3           | Tie-Cable               |
| 2:2         | 218-578            | 1           | Fuse-Blade, 10 Amp         | 14          | 82-2190            | 1           | Switch-Bail             |
| 2:3         | 109355             | 1           | Fuse-Blade, 15 Amp         | 15          | 137-4100           | 1           | Switch-Ignition         |
| 2:4         | 109102             | 2           | Fuse-Blade, 25 Amp         | 16          | 135-3653           | 1           | Switch, PTO 10A         |
| 2:5         | 116-0053           | 1           | Cap-Plug                   | 17          | 104-2065           | 1           | Screw-HWH               |
| 3           | 117-3882           | 1           | Fuel/Hour Meter ASM        | 18          | 115-3864           | 1           | Cable-Battery, Positive |
| 4           | 1-603511           | 1           | Keys-Ignition (Spare Pair) | 19          | 3256-24            | 1           | Washer-Plain            |
| 4           | 63-8360            | 1           | Key-Ignition               | 20          | 3290-378           | 1           | Tie-Cable               |
| 5           | 110-6765           | 2           | Switch                     | 21          | 109-2407           | 1           | Insulator-Battery       |
| 6           | 142-6707-03        | 1           | Bracket-Holddown, Battery  | 22          | 1-543393           | 1           | Insulator-Solenoid      |
| 7           | 142-6406           | 1           | Bolt-Holddown              | 23          | 1-643267           | 1           | Indicator-LED, Red      |
| 8           | 1-543792           | 1           | Wingnut                    | 24          | 142-6440           | 1           | Harness-Indicator Light |
| 9           | 1-643275           | 1           | Relay                      | 99          | 142-7682           | 1           | Hardware Kit, Battery   |
| 10          | 112-7063           | 1           | Cable-Battery, Black       |             |                    |             |                         |

● Use dielectric grease on all unsealed connectors and terminals only. Do not apply in sealed connectors.

# Deck Lift Assembly





## Deck Lift Assembly (continued)

| <i>Ref.</i> | <i>Part Number</i> | <i>Qty.</i> | <i>Description</i>                      | <i>Ref.</i> | <i>Part Number</i> | <i>Qty.</i> | <i>Description</i>         |
|-------------|--------------------|-------------|---|-------------|--------------------|-------------|----------------------------|
| 1           | 86-1990            | 6           | Washer-Thrust                           | 15          | 109-9410           | 2           | Bearing-Cross Shaft, Front |
| 2           | 99-5107            | 12          | Nut-Lock                                | 16          | 109-9840           | 4           | Screw-Shoulder, HHF        |
| 3           | 104-8301           | 12          | Nut-HF, NI                              | 17          | 325-12             | 2           | Screw-HH                   |
| 4           | 109-5013           | 1           | Panhard Rod ASM                         | 18          | 325-17             | 1           | Screw-HH                   |
| 4:2         | 109-5009           | 2           | Bushing-Suspension,<br>Rubber           | 19          | 3231-2             | 2           | Bolt-CARR                  |
| 4:3         | 109-5010           | 2           | Spacer                                  | 20          | 3231-4             | 2           | Screw-CARR                 |
| 5           | 109-7173           | 2           | Bearing-Cross Shaft, Rear               | 21          | 3231-7             | 4           | Screw-CARR                 |
| 6           | 116-1919-01        | 1           | Lever-Foot                              | 22          | 3233-34            | 3           | Screw-CARR                 |
| 7           | 109-7438           | 1           | HOC ASM                                 | 23          | 3296-23            | 1           | Nut-Lock, NI               |
| 8           | 126-2477-03        | 1           | Decklift-Front                          | 24          | 116-1700           | 4           | Bolt-CARR                  |
| 9           | 127-0553           | 2           | Support-Bearing, Cross<br>Shaft (Rear)  | 25          | 116-0559           | 1           | Bolt-TAP                   |
| 10          | 109-7952           | 2           | Deck Strut ASM                          | 26          | 116-2022           | 2           | Screw-HHF, Shoulder        |
| 10:2        | 109-5009           | 2           | Bushing-Suspension,<br>Rubber           | 27          | 92-7674            | 1           | Bolt-Shoulder              |
| 10:3        | 109-5010           | 2           | Spacer                                  | 28          | 116-0000           | 1           | Spring-Extension           |
| 11          | 116-0797-03        | 1           | Link-Lift, Deck                         | 29          | 109-9065           | 1           | Screw-HH                   |
| 12          | 116-2645-03        | 1           | Lift-Deck, Rear                         | 30          | 32128-37           | 2           | Nut-HF                     |
| 13          | 116-5584           | 1           | Pin-HOC                                 | 31          | 3256-28            | 2           | Washer-Flat                |
| 14          | 109-9409           | 2           | Support-Bearing, Cross<br>Shaft (Front) | 32          | 116-2695           | 1           | Spacer                     |
|             |                    |             |   | 33          | 109-8007           | 4           | Link-Adjuster, Deck Lift   |
|             |                    |             |   | 34          | 109-7840           | 4           | Adjuster-Lift, Deck        |
|             |                    |             |   | 35          | 109-8353           | 4           | Trunnion                   |
|             |                    |             |   | 36          | 3218-5             | 4           | Nut-Jam                    |

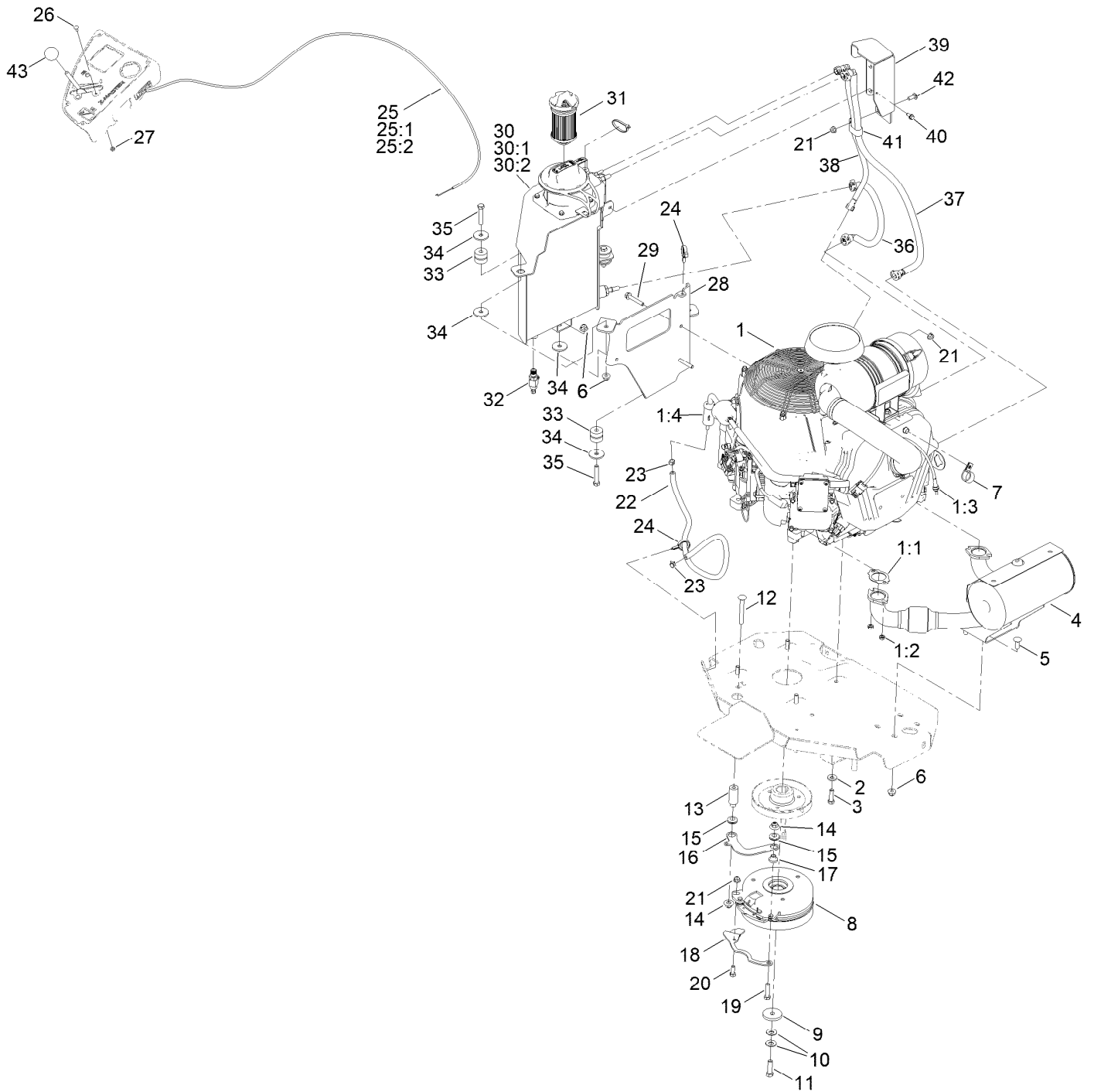
# Height-of-Cut Assembly No. 109-7438



## Height-of-Cut Assembly No. 109-7438 (continued)

| <i>Ref.</i> | <i>Part Number</i> | <i>Qty.</i> | <i>Description</i>  | <i>Ref.</i> | <i>Part Number</i> | <i>Qty.</i> | <i>Description</i>  |
|-------------|--------------------|-------------|---------------------|-------------|--------------------|-------------|---------------------|
| 1           | 62-1330            | 1           | Bolt-Shoulder       | 6           | 116-0118           | 1           | Pawl-Transport, HOC |
| 2           | 109-7130           | 1           | Grommet             | 7           | 109-7335           | 1           | HOC Plate ASM       |
| 3           | 104-8301           | 1           | Nut-HF, NI          | 7:2         | 126-4398           | 1           | Decal-HOC           |
| 4           | 109-7124           | 1           | Spring-Extension    | 8           | 109-8250           | 1           | Grip-Lever          |
| 5           | 109-7128           | 1           | Rod-Lock, Transport |             |                    |             |                     |

# Engine, Clutch and Muffler Assembly



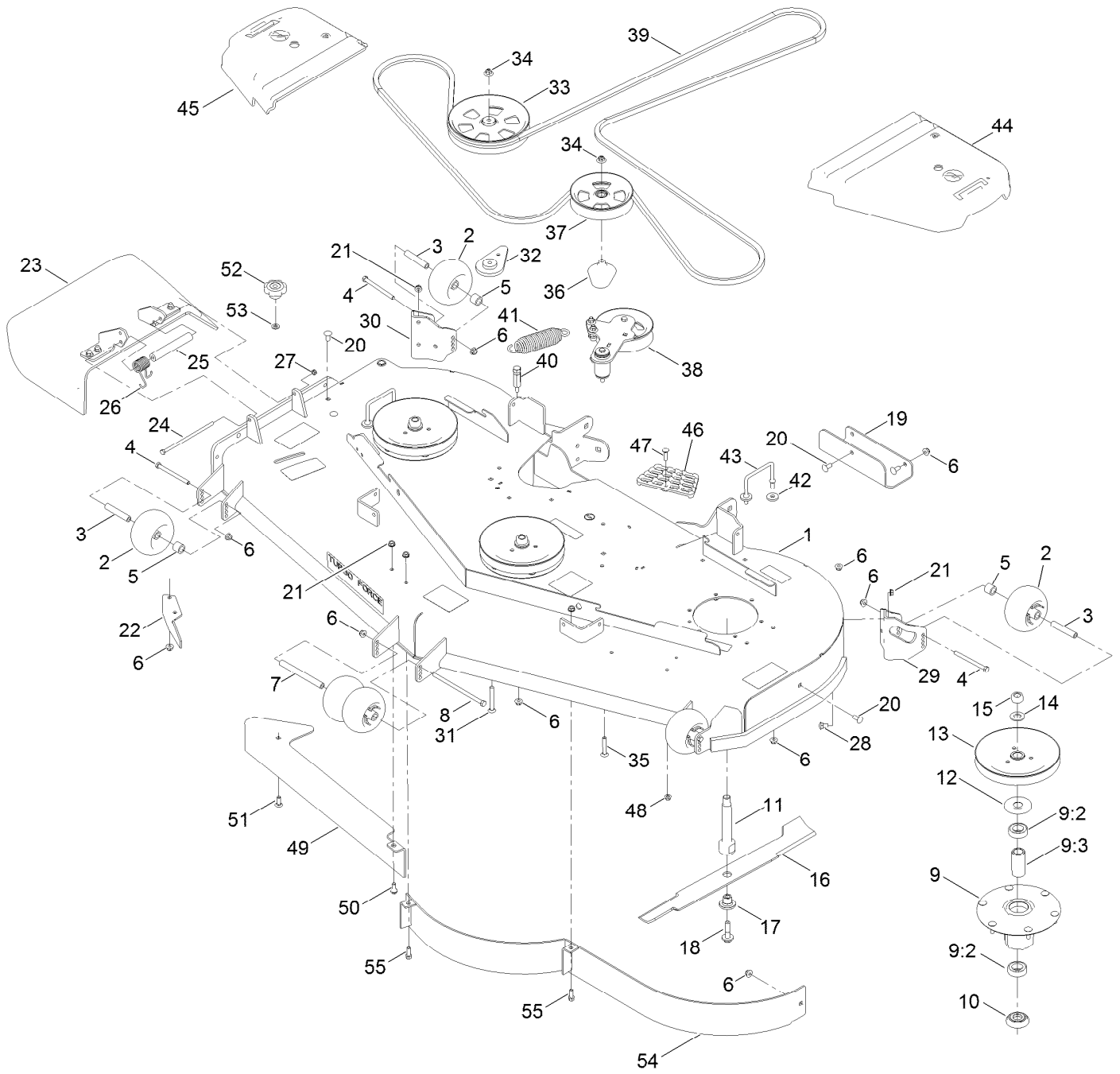
## Engine, Clutch and Muffler Assembly (continued)

| <i>Ref.</i> | <i>Part Number</i> | <i>Qty.</i> | <i>Description</i>  | <i>Ref.</i> | <i>Part Number</i> | <i>Qty.</i> | <i>Description</i>   |
|-------------|--------------------|-------------|---------------------|-------------|--------------------|-------------|----------------------|
| 1           |                    | 1           | Engine-Vanguard ● ■ | 23          | 2412-98            | 2           | Clamp-Hose           |
| 1:1         | 142-6842           | 2           | Gasket-Exhaust      | 24          | 105-1853           | 2           | Clamp-Hose           |
| 1:2         | 33014-00           | 4           | Nut-Hex             | 25          | 110-5727           | 1           | Throttle Control ASM |
| 1:3         | 142-6844           | 1           | Sensor-O2           | 25:1        | 112-2334           | 1           | Lever-Throttle       |
| 1:4         | 142-7451           | 1           | Filter-Fuel         | 25:2        | 110-5728           | 1           | Cable-Throttle       |
| 2           | 98-5975            | 4           | Washer-Belleville   | 26          | 1-807513           | 2           | Bolt-CARR            |
| 3           | 323-7              | 4           | Screw-HH            | 27          | 3296-2             | 2           | Nut-Lock, NI         |
| 4           | 142-5876           | 1           | Muffler             | 28          | 142-6608-03        | 1           | Mount-Tank, Oil      |
| 5           | 3231-22            | 4           | Screw-CARR          | 29          | 142-6275           | 2           | Screw-HHF            |
| 6           | 104-8301           | 7           | Nut-HF, NI          | 30          | 142-6840           | 1           | Reservoir-Oil        |
| 7           | 110-0824           | 1           | R-Clamp             | 30:1        | 142-7452           | 1           | Oil Dipstick ASM     |
| 8           | 126-4185           | 1           | Clutch Kit          | 30:2        | 142-7453           | 1           | Oil Tank Cap ASM     |
| 9           | 109-6919           | 1           | Washer-Plain        | 31          | 142-6841           | 1           | Filter-Oil           |
| 10          | 1-603610           | 2           | Washer-Spring       | 32          | 103-6602           | 1           | Valve-Oil Drain      |
| 11          | 109-9761           | 1           | Screw-HH            | 33          | 142-6009           | 3           | Isolator-Tank        |
| 12          | 3231-42            | 1           | Screw-CARR          | 34          | 1-213069           | 6           | Washer               |
| 13          | 116-3319           | 1           | Spacer              | 35          | 323-10             | 3           | Screw-HH             |
| 14          | 109-6658           | 2           | Nut-Flange, NI      | 36          | 142-7420           | 1           | Hose-Supply          |
| 15          | 93-5108            | 2           | Grommet-Rubber      | 37          | 142-7421           | 1           | Hose-Scavenge        |
| 16          | 116-3317-01        | 1           | Link-Anchor, Clutch | 38          | 142-6393           | 1           | Hose-Vent            |
| 17          | 116-3318           | 1           | Spacer              | 39          | 142-6731-03        | 1           | Guard-Hose           |
| 18          | 116-3331-01        | 1           | Belt-Guide          | 40          | 32144-10           | 3           | Screw-HWH            |
| 19          | 323-8              | 1           | Screw-HH            | 41          | 120-1959           | 1           | Clamp                |
| 20          | 322-4              | 1           | Screw-HH            | 42          | 3230-23            | 1           | Bolt-CARR            |
| 21          | 104-8300           | 4           | Nut-HF, NI          | 43          | 1-603175           | 1           | Knob-Ball            |
| 22          | 109-0275           | 1           | Hose-Fuel           |             |                    |             |                      |

● Not serviced separately

■ Obtain parts from [www.briggsandstratton.com](http://www.briggsandstratton.com)

# Deck Assembly

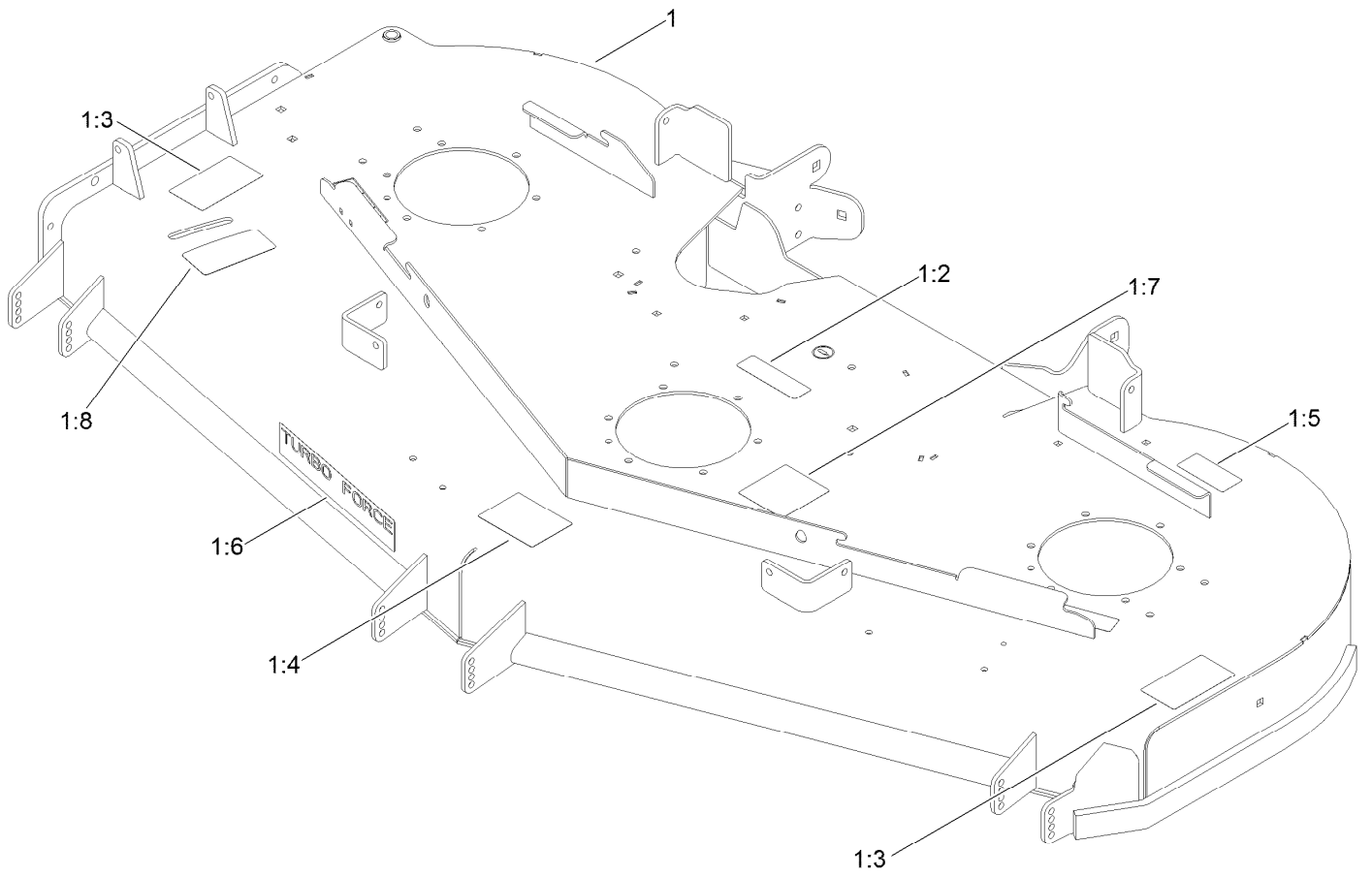


## Deck Assembly (continued)

| <i>Ref.</i> | <i>Part Number</i> | <i>Qty.</i> | <i>Description</i>   | <i>Ref.</i> | <i>Part Number</i> | <i>Qty.</i> | <i>Description</i>  |
|-------------|--------------------|-------------|----------------------|-------------|--------------------|-------------|---------------------|
| 1           | 140-1170           | 1           | Deck Decal ASM       | 28          | 3231-1             | 6           | Screw-CARR          |
| 2           | 1-603299           | 6           | Roller-Scalp, Anti   | 29          | 106-7354-01        | 1           | Mount-Wheel, LH     |
| 3           | 98-7912            | 4           | Tube-Spanner         | 30          | 106-7355-01        | 1           | Mount-Wheel, RH     |
| 4           | 323-23             | 4           | Screw-HH             | 31          | 3231-42            | 1           | Screw-CARR          |
| 5           | 98-7913            | 4           | Tube-Spacer          | 32          | 109-9416           | 1           | Spacer-Idler        |
| 6           | 104-8301           | 34          | Nut-HF, NI           | 33          | 132-4734           | 1           | Pulley-Idler, Flat  |
| 7           | 98-5967            | 1           | Spacer-Wheel         | 34          | 109-6658           | 2           | Nut-Flange, NI      |
| 8           | 108-5388           | 1           | Screw-HH             | 35          | 3231-40            | 1           | Bolt-CARR           |
| 9           | 137-9780           | 3           | Spindle ASM          | 36          | 109-2872           | 1           | Spacer-Pulley       |
| 9:2         | 116-0720           | 2           | Bearing-Ball         | 37          | 136-5404           | 1           | Pulley-Idler, Flat  |
| 9:3         | 138-6042           | 1           | Spacer-Bearing       | 38          |                    | 1           | Idler Arm ASM ●     |
| 10          | 137-9784           | 3           | Guard-Bottom         | 39          | 109-9023           | 1           | Belt-V              |
| 11          | 138-6045           | 3           | Shaft-Spindle        | 40          | 114-5867           | 1           | Anchor-Spring, Tall |
| 12          | 103-1330           | 3           | Guard-Bearing, Top   | 41          | 116-6317           | 1           | Spring-Extension    |
| 13          | 138-6060           | 3           | Sheave-Drive, Blade  | 42          | 1-373034           | 4           | Washer              |
| 14          | 103-2802           | 3           | Washer               | 43          | 109-6982           | 2           | Wireform-Cover      |
| 15          | 116-7306           | 3           | Nut-Hex              | 44          | 109-6938           | 1           | Cover-Belt, LH      |
| 16          | 140-1238           | 3           | Blade                | 45          | 116-0094           | 1           | Cover-Belt, RH      |
| 17          | 137-9787           | 3           | Bushing-Hex          | 46          | 126-4781-03        | 1           | Step-Deck           |
| 18          | 109-9220           | 3           | Screw-Sems           | 47          | 3230-3             | 1           | Screw-CARR          |
| 19          | 121-7975-01        | 1           | Plate-Skid           | 48          | 104-8300           | 1           | Nut-HF, NI          |
| 20          | 3231-27            | 6           | Screw-CARR           | 49          | 138-6051-01        | 1           | Plate-Baffle        |
| 21          | 3290-357           | 9           | Nut-HSF              | 50          | 94-7582            | 1           | Bolt-Shoulder       |
| 22          | 106-3216-01        | 1           | Baffle-Discharge     | 51          | 3231-22            | 1           | Screw-CARR          |
| 23          | 108-2792           | 1           | Rubber Deflector ASM | 52          | 109-1092           | 1           | Knob                |
| 24          | 322-50             | 1           | Screw-HH             | 53          | 100-4852           | 1           | Washer-Hardened     |
| 25          | 105-4622           | 1           | Spacer               | 54          | 114-5843-01        | 1           | Baffle              |
| 26          | 108-4052           | 1           | Spring-Torsion       | 55          | 92-1624            | 2           | Screw-HWH Thd Form  |
| 27          | 3296-47            | 1           | Nut-Lock, NI         |             |                    |             |                     |

● Not serviced separately

# Deck Decal Assembly No. 140-1170



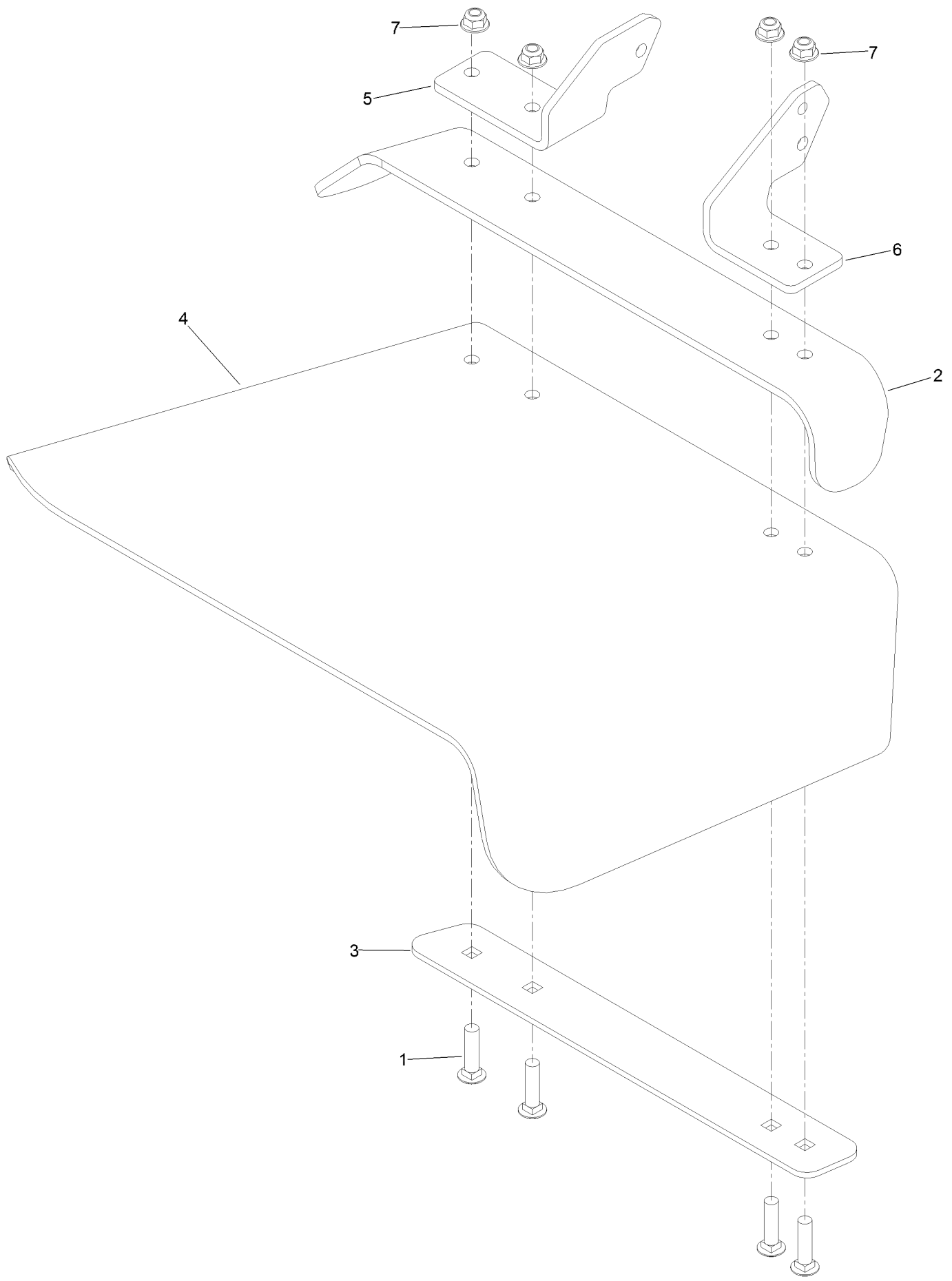


## Deck Decal Assembly No. 140-1170 (continued)

| <i>Ref.</i> | <i>Part Number</i> | <i>Qty.</i> | <i>Description</i>   | <i>Ref.</i> | <i>Part Number</i> | <i>Qty.</i> | <i>Description</i>       |
|-------------|--------------------|-------------|----------------------|-------------|--------------------|-------------|--------------------------|
| 1           |                    | 1           | Deck ASM ●           | 1:5         | 116-8283           | 1           | Decal-Torque, Bolt       |
| 1:2         | 112-9028           | 3           | Decal-Cover, Missing | 1:6         | 107-1620           | 1           | Decal                    |
| 1:3         | 117-3848           | 2           | Decal-Danger         | 1:7         | 136-5508           | 1           | Decal-Routing, Deck Belt |
| 1:4         | 127-0326           | 1           | Decal-Scalp, Anti    | 1:8         | 131-1180           | 1           | Decal-Adjustment, Baffle |

● Not serviced separately

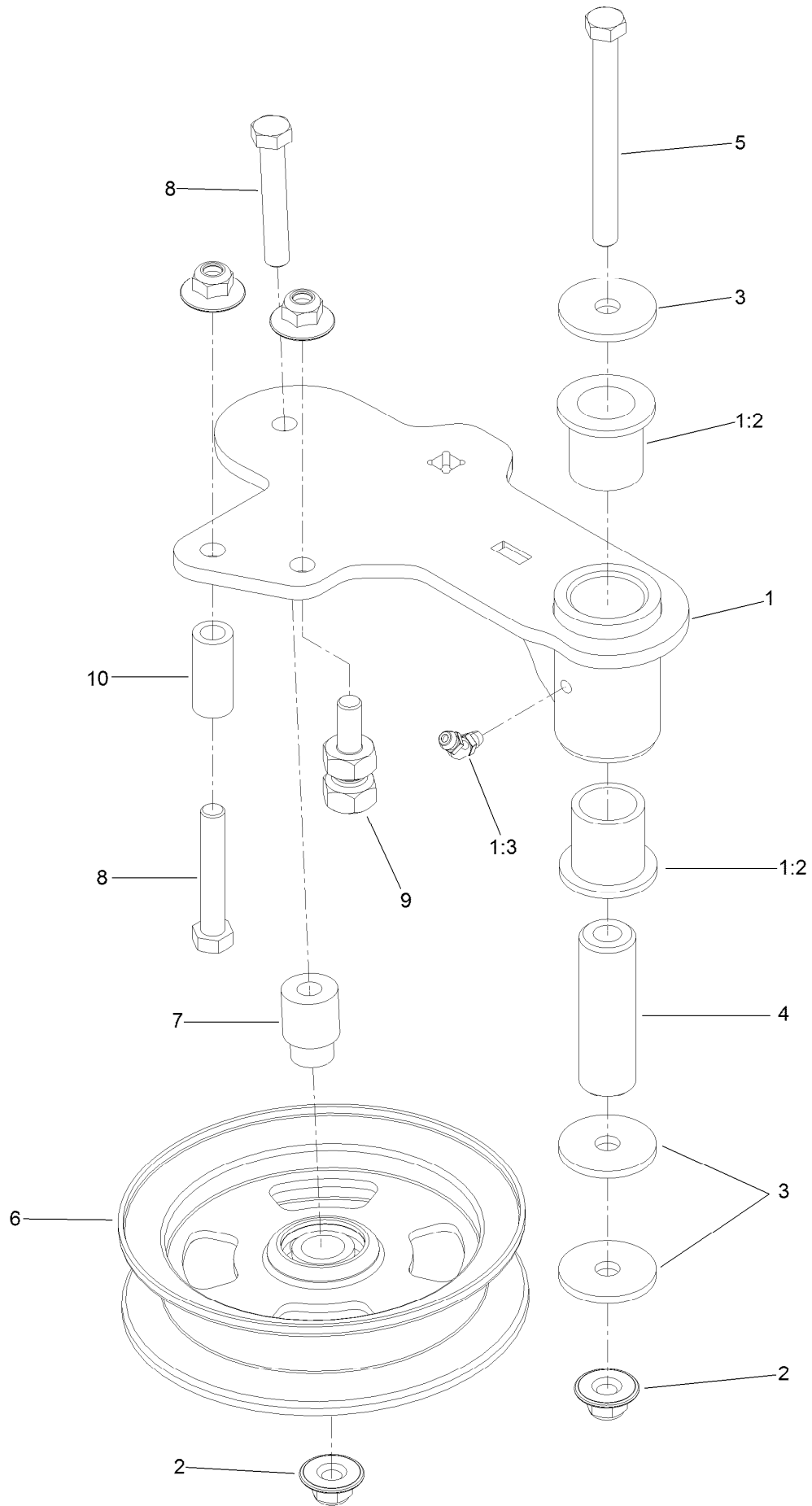
# Rubber Deflector Assembly No. 108-2792



# Rubber Deflector Assembly No. 108-2792 (continued)

| <i>Ref.</i> | <i>Part Number</i> | <i>Qty.</i> | <i>Description</i> | <i>Ref.</i> | <i>Part Number</i> | <i>Qty.</i> | <i>Description</i> |
|-------------|--------------------|-------------|--------------------|-------------|--------------------|-------------|--------------------|
| 1           | 3231-4             | 4           | Screw-CARR         | 5           | 108-4059-01        | 1           | Plate-Hinge, Rear  |
| 2           | 106-3246-01        | 1           | Deflector          | 6           | 106-3253-01        | 1           | Plate-Hinge, Front |
| 3           | 106-3248-03        | 1           | Strap-Discharge    | 7           | 104-8301           | 4           | Nut-HF, NI         |
| 4           | 108-5029           | 1           | Deflector-Rubber   |             |                    |             |                    |

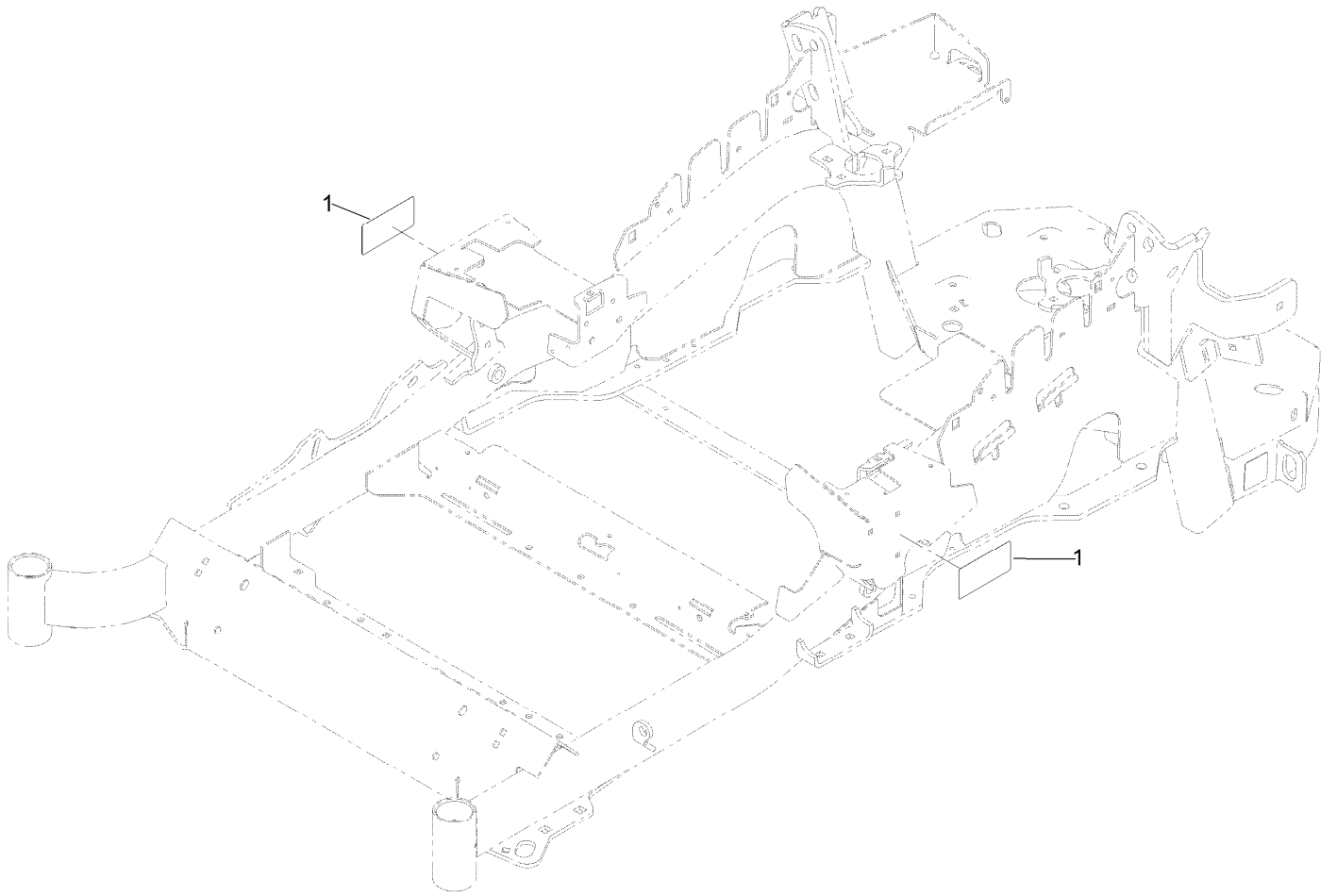
# Idler Arm Assembly



## Idler Arm Assembly (continued)

| <i>Ref.</i> | <i>Part Number</i> | <i>Qty.</i> | <i>Description</i> | <i>Ref.</i> | <i>Part Number</i> | <i>Qty.</i> | <i>Description</i>   |
|-------------|--------------------|-------------|--------------------|-------------|--------------------|-------------|----------------------|
| 1           | 114-5870           | 1           | Idler Arm ASM      | 5           | 98-5961            | 1           | Screw-HH             |
| 1:2         | 1-303514           | 2           | Bearing-Flanged    | 6           | 132-9425           | 1           | Pulley-Idler, Flat   |
| 1:3         | 1481               | 1           | Fitting-Grease     | 7           | 112-4212           | 1           | Mount-Pulley         |
| 2           | 109-6658           | 4           | Nut-Flange, NI     | 8           | 323-11             | 2           | Screw-HH             |
| 3           | 1-213069           | 3           | Washer             | 9           | 132-4729           | 1           | Anchor-Spring, Short |
| 4           | 114-5848           | 1           | Spacer-Plain       | 10          | 104-0151           | 1           | Spacer               |

# Frame Decal Assembly



## Frame Decal Assembly (continued)

| <i>Ref.</i> | <i>Part Number</i> | <i>Qty.</i> | <i>Description</i> |
|-------------|--------------------|-------------|--------------------|
| 1           | 120-5895           | 2           | Decal              |

# Attachments and Accessories

## For 72982 Z Master Professional 6000 Series Riding Mower with 72in TURBO FORCE Side Discharge Mower

| Product Name                                    | Model/Part |
|---|------------|
| Turbo Baffle Kit .....                          | 107-1634   |
| Hitch Kit .....                                 | 109-9487   |
| Hypr-Oil 500 (quart) .....                      | 114-4713   |
| Hypr-Oil 500 (gallon).....                      | 114-4714   |
| Hypr-Oil 500-5 (5 gallon).....                  | 114-4715   |
| Bimini Folding Shade Assembly .....             | 115-4510   |
| Roller Striper Kit.....                         | 115-7480   |
| Light Kit.....                                  | 116-1154   |
| Seat Cover (W/arm rest).....                    | 117-0095   |
| Operator Controlled Discharge Chute Kit.....    | 117-3600   |
| Seat Tilt Frame and ISO Mount Kit.....          | 121-7596   |
| Toro Rops Lock Kit.....                         | 126-4064   |
| Jack Mount Kit .....                            | 127-6665   |
| Jack Kit.....                                   | 127-6666   |
| Power Deck Lift Kit .....                       | 132-5986   |
| Worklight Kit .....                             | 135-7320   |
| Bucket Mount Kit.....                           | 137-9216   |
| Trimmer Mount .....                             | 137-9769   |
| Recycler Kit-G3/GM 3300 72in .....              | 139-6659   |
| 24x12n12 - Tweel Turf .....                     | 139-7891   |
| Blade-24.50 High Flow .....                     | 140-1238   |
| Blade-24.50 Atomic .....                        | 140-1239   |
| Blade-24.50 Medium Flow .....                   | 140-4850   |
| Blade-24.50 Low Flow .....                      | 140-4851   |
| Blade-24.50 Recycler .....                      | 140-4852   |
| 6 Pack-Blade, 24.5 High Flow.....               | 140-4872   |
| 6 Pack-Blade, 24.5 Med Flow .....               | 140-4873   |
| 6 Pack-Blade, 24.5 Low Flow .....               | 140-4874   |
| 6 Pack-Blade, 24.5 Atomic.....                  | 140-4875   |
| 6 Pack-Blade, 24.5 Recycler.....                | 140-4876   |
| Weight Kit, Under Toe Board.....                | 140-4958   |
| Briggs and Stratton Engine Maintenance Kit..... | 145-8479   |
| Blade-24.50 High Flow .....                     | 147-6253   |
| 6 Pack-Blade, 24.50 High Flow.....              | 147-6257   |
| Toro Rider Over Seat Bag.....                   | 490-7317   |
| Toro Deluxe Rider Cover.....                    | 490-7319   |
| Toro Rider Arm Rest Bag .....                   | 490-7320   |
| Spark Arrestor Screen .....                     | 75-6880    |
| Blower and Drive Kit .....                      | 78554      |
| 72in E-z Vac Triple Bagger .....                | 78555      |
| 72in E-z Vac Dfs Bagger.....                    | 78556      |
| Filter Minder Gauge .....                       | 99-4664    |
| Trash Holder Kit.....                           | TC26       |



**Notes:**

**Notes:**

**Notes:**



**Count on it.**