



Count on it.

Parts Catalog

**Z Master® Professional 6000
Series Riding Mower**

**with 60in TURBO FORCE® Side Discharge
Mower**

Model No. 72980—Serial No. 40000000 and Up



Ordering Replacement Parts

To order replacement parts, please supply the part number, the quantity, and the description of each part desired.

Understanding Reference Numbers

Each identified part in an illustration has a reference number. The reference number for a part also appears in the parts list, along with other information about the part.

This catalog uses two special reference number formats, one to indicate parts in a service assembly and another to indicate the quantity of a given part in an illustration.

Service Assembly Reference Numbers

Parts in service assemblies have reference numbers in the form a:b. The a represents the reference number of the entire service assembly and the b represents a sequential number unique to each part within the service assembly.

For example, a wheel assembly might be identified by reference number 6, the tire by 6:1, the valve by 6:2, and the wheel by 6:3. When you order the assembly identified by reference number 6, you receive all parts identified by reference numbers 6:1, 6:2, and 6:3. However, you may also order any part individually. Reference numbers of this type appear in illustration and in parts lists.

Reference Numbers Indicating Quantity

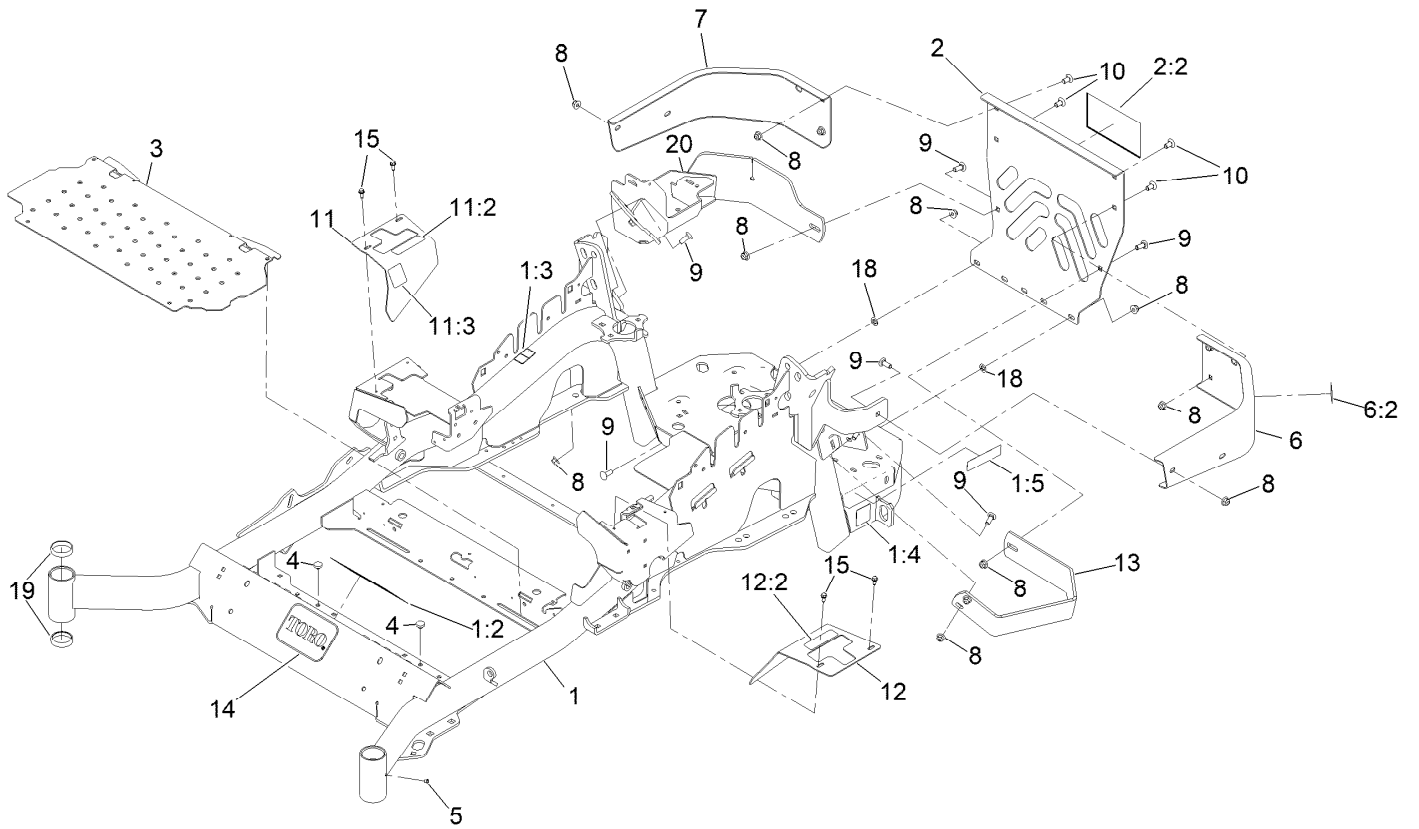
In an illustration, if a reference number indicates more than one part, the reference number has the form nX y. The n represents the quantity of the part, the X is the multiplication symbol, and the y represents the reference number.

For example, in an illustration, the reference number 2X 37 means that two of the parts identified by reference number 37 are indicated.

Contents

| | |
|---|----|
| Frame Assembly | 4 |
| Roll-Over Protection System Assembly No. 116-0231 | 6 |
| Caster Fork and Wheel Assembly (HD Model Only) | 8 |
| Hydraulic Drive Assembly | 10 |
| Pump Idler Assembly No. 116-1255 | 12 |
| LH Hydro Assembly No. 135-7907 | 14 |
| RH Hydro Assembly No. 135-7908 | 16 |
| Rear Wheel Assembly | 18 |
| Park Brake Assembly | 20 |
| Fuel Assembly | 22 |
| Fuel Tank Assembly No. 135-0643 | 24 |
| Seat Mounting Assembly | 26 |
| Seat Assembly No. 140-8003 | 28 |
| Motion Control Assembly | 30 |
| Console and Control Panel Assembly | 32 |
| RH Console Assembly No. 115-7400 | 34 |
| LH Console Assembly No. 115-7401 | 36 |
| Electrical Assembly | 38 |
| Deck Lift Assembly | 40 |
| Height-of-Cut Assembly No. 109-7438 | 42 |
| Engine, Clutch and Muffler Assembly | 44 |
| Deck Assembly | 46 |
| Deck Decal Assembly No. 140-1169 | 48 |
| Rubber Deflector Assembly No. 108-2792 | 50 |
| Idler Arm Assembly | 52 |
| Frame Decal Assembly | 54 |
| Attachments and Accessories | 56 |

Frame Assembly



Frame Assembly (continued)

| <i>Ref.</i> | <i>Part Number</i> | <i>Qty.</i> | <i>Description</i> | <i>Ref.</i> | <i>Part Number</i> | <i>Qty.</i> | <i>Description</i> |
|-------------|--------------------|-------------|------------------------------|-------------|--------------------|-------------|-----------------------------|
| 1 | 142-7265 | 1 | Mainframe Service ASM - 60 | 9 | 3231-22 | 10 | Screw-CARR |
| 1:2 | 132-0871 | 1 | Decal-Danger | 10 | 3231-21 | 4 | Screw-CARR |
| 1:3 | 106-5517 | 2 | Decal-Warning | 11 | 116-5899 | 1 | RH Motion Control Cover ASM |
| 1:4 | 106-2655 | 2 | Decal-Hazard, Pinched Finger | 11:2 | 99-8936 | 1 | Decal-Control, Motion |
| 1:5 | 133-8062 | 1 | Decal-Arrestor, Spark | 11:3 | 116-5988 | 1 | Decal-Park Brake, CE |
| 2 | 115-7410 | 1 | Rear Guard ASM | 12 | 116-0580 | 1 | LH Motion Control Cover ASM |
| 2:2 | 67-7320 | 1 | Decal | 12:2 | 99-8936 | 1 | Decal-Control, Motion |
| 3 | 116-8898-01 | 1 | Floorpan | 13 | 126-2067-03 | 1 | Guard-Muffler |
| 4 | 1-513658 | 2 | Bumper | 14 | 68-3640 | 1 | Decal |
| 5 | 1-811010 | 2 | Plug | 15 | 32144-10 | 4 | Screw-HWH |
| 6 | 116-0180 | 1 | LH Bumper ASM | 18 | 107-3154 | 2 | Nut-Push |
| 6:2 | 106-5517 | 1 | Decal-Warning | 19 | 1-543508 | 4 | Cup-Bearing |
| 7 | 116-0057-03 | 1 | Bumper-RH | 20 | 142-6295-03 | 1 | Battery Guard ASM [black] |
| 8 | 104-8301 | 14 | Nut-HF, NI | | | | |

Roll-Over Protection System Assembly No. 116-0231

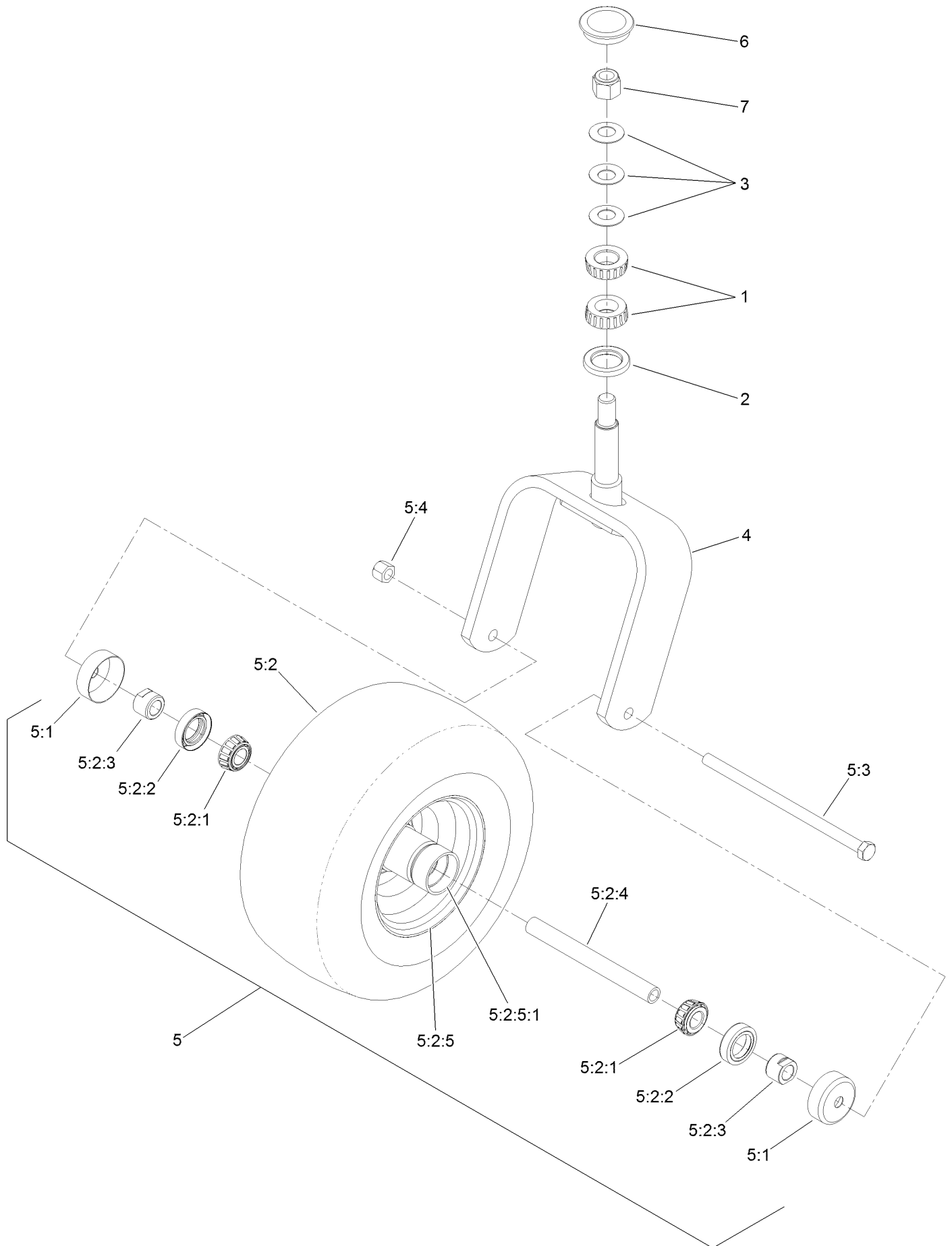


Roll-Over Protection System Assembly No. 116-0231 (continued)

| <i>Ref.</i> | <i>Part Number</i> | <i>Qty.</i> | <i>Description</i> | <i>Ref.</i> | <i>Part Number</i> | <i>Qty.</i> | <i>Description</i> |
|-------------|--------------------|-------------|--------------------|-------------|--------------------|-------------|--------------------------|
| 1 | | 1 | Leg-ROPS, LH ● | 8 | 3233-10 | 2 | Screw-CARR |
| 2 | | 1 | Leg-ROPS, RH ● | 9 | 325-35 | 4 | Screw-HH |
| 3 | 109-6653 | 2 | Spacer | 10 | 109-9505 | 4 | Washer-Spring |
| 4 | | 1 | Upper ROPS ASM ● | 11 | 109-9233 | 1 | Bumper-Push-In, Rubber |
| 4:2 | 107-3069 | 1 | Decal-Warning | 12 | 117-0346 | 1 | Decal-Caution, Fuel Vent |
| 5 | 109-5337 | 2 | Bumper-ROPS | 14 | 116-0960 | 2 | Spacer |
| 6 | 116-0104 | 2 | Pin-Spring | 15 | 325-13 | 2 | Screw-HH |
| 7 | 99-5107 | 8 | Nut-Lock | 16 | 125-8067 | 1 | Plug-Plastic |

● Not serviced separately

Caster Fork and Wheel Assembly (HD Model Only)



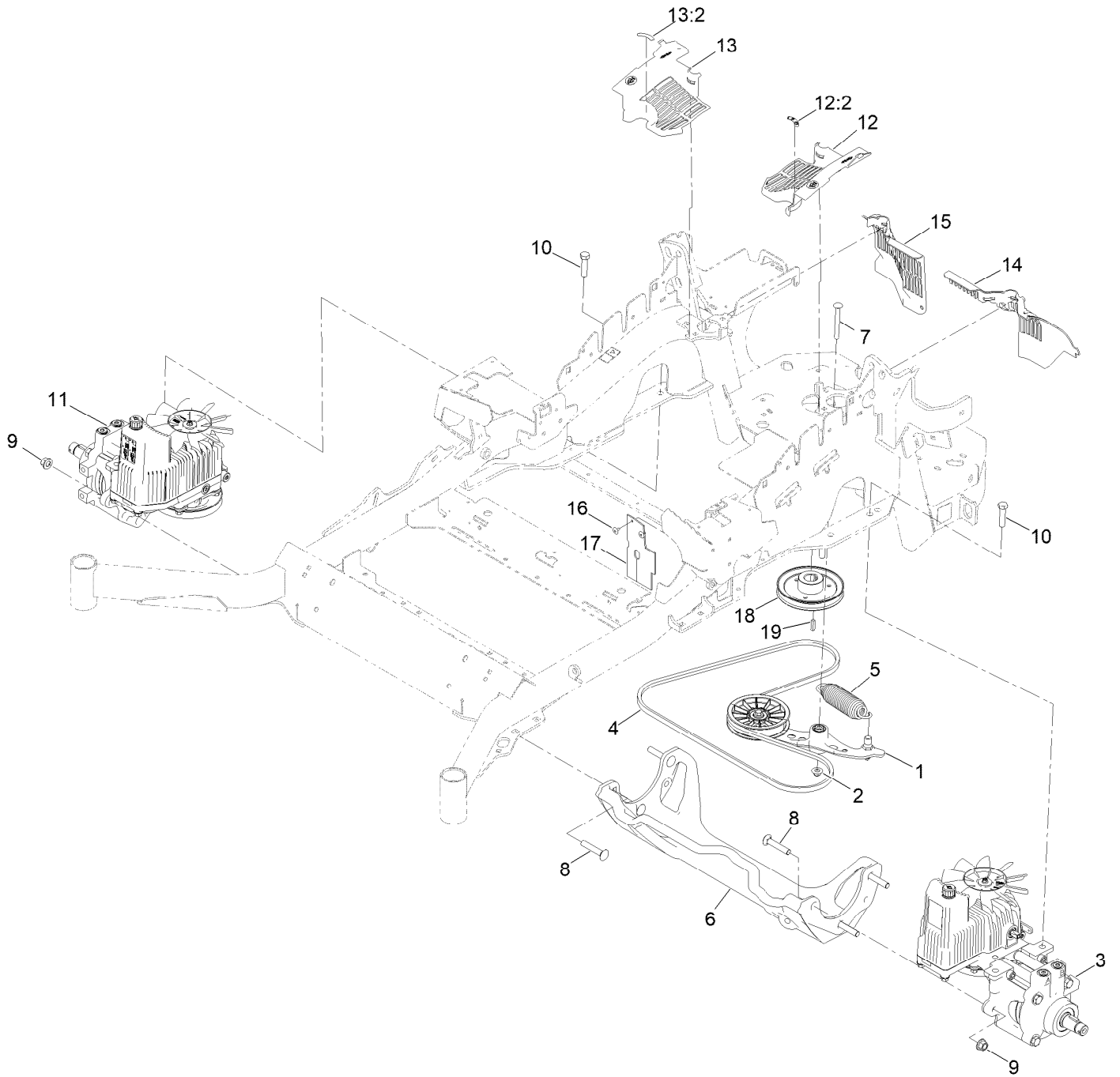
Caster Fork and Wheel Assembly (HD Model Only) (continued)

| <i>Ref.</i> | <i>Part Number</i> | <i>Qty.</i> | <i>Description</i> | <i>Ref.</i> | <i>Part Number</i> | <i>Qty.</i> | <i>Description</i> |
|-------------|--------------------|-------------|-------------------------|-------------|--------------------|-------------|----------------------|
| 1 | 1-543509 | 2 | Bearing-Roller, Tapered | 5:2:3 | 103-3051 | 1 | Spacer-Nut ■ |
| 2 | 116-5647 | 1 | Seal-Grease | 5:2:4 | 126-5361 | 1 | Axle Caster ASM |
| 3 | 1-633508 | 3 | Washer-Bellville | 5:2:5 | | 1 | Wheel And Tire ASM ● |
| 4 | 116-6707-01 | 1 | Caster | 5:2:5:1 | 1-633584 | 2 | Bearing-Cup |
| 5 | 127-9528 | 1 | Wheel And Axle ASM | 5:3 | 325-39 | 1 | Screw-HH |
| 5:1 | 103-2768 | 2 | Guard-Seal | 5:4 | 3296-23 | 1 | Nut-Lock, NI |
| 5:2 | | 1 | Wheel And Bearing ASM ● | 6 | 103-4882 | 1 | Cap-Grease |
| 5:2:1 | 1-633585 | 2 | Bearing-Cone, Taper | 7 | 3296-51 | 1 | Nut-Lock, NI |
| 5:2:2 | 103-0063 | 2 | Seal-Caster | | | | |

● Not serviced separately

■ Use Pro-Lock, Nut Type (P/N 1-840022, .5ml tube) on threads.

Hydraulic Drive Assembly



Hydraulic Drive Assembly (continued)

| <i>Ref.</i> | <i>Part Number</i> | <i>Qty.</i> | <i>Description</i> | <i>Ref.</i> | <i>Part Number</i> | <i>Qty.</i> | <i>Description</i> |
|-------------|--------------------|-------------|-------------------------|-------------|--------------------|-------------|----------------------------|
| 1 | 116-1255 | 1 | Pump Idler ASM | 13 | 116-0171 | 1 | RH Hydro Guard ASM |
| 2 | 109-6658 | 1 | Nut-Flange, NI | 13:2 | 116-8726 | 1 | Decal-Oil, Hydro |
| 3 | 135-7907 | 1 | Hydro-LH | 14 | 142-6499 | 1 | Guard-Hydro, Rear LH |
| 4 | 126-9835 | 1 | Belt-V | 15 | 109-9058 | 1 | Guard-Hydro, Rear (RH) |
| 5 | 116-6317 | 1 | Spring-Extension | 16 | 1-803035 | 2 | Rivet-Pop |
| 6 | 116-7558 | 1 | Cradle-Hydro | 17 | 116-2362 | 1 | Deflector-Air Flow |
| 7 | 116-1502 | 1 | Bolt-Shoulder, Carriage | 18 | 109-9905 | 1 | Sheave |
| 8 | 126-0095 | 6 | Screw-CARR | 19 | 1-807259 | 1 | Key |
| 9 | 99-5107 | 6 | Nut-Lock | 99 | 114-4713 | 1 | Hypr-Oil 500 (Quart)● |
| 10 | 325-8 | 4 | Screw-HH | 99 | 114-4714 | 1 | Hypr-Oil 500 (Gallon)● |
| 11 | 135-7908 | 1 | Hydro-RH | 99 | 114-4715 | 1 | Hypr-Oil 500-5 (5 Gallon)● |
| 12 | 116-0170 | 1 | LH Hydro Guard ASM | 99 | 117-0390 | 1 | Filter-Hydro |
| 12:2 | 116-8726 | 1 | Decal-Oil, Hydro | | | | |

● Not illustrated

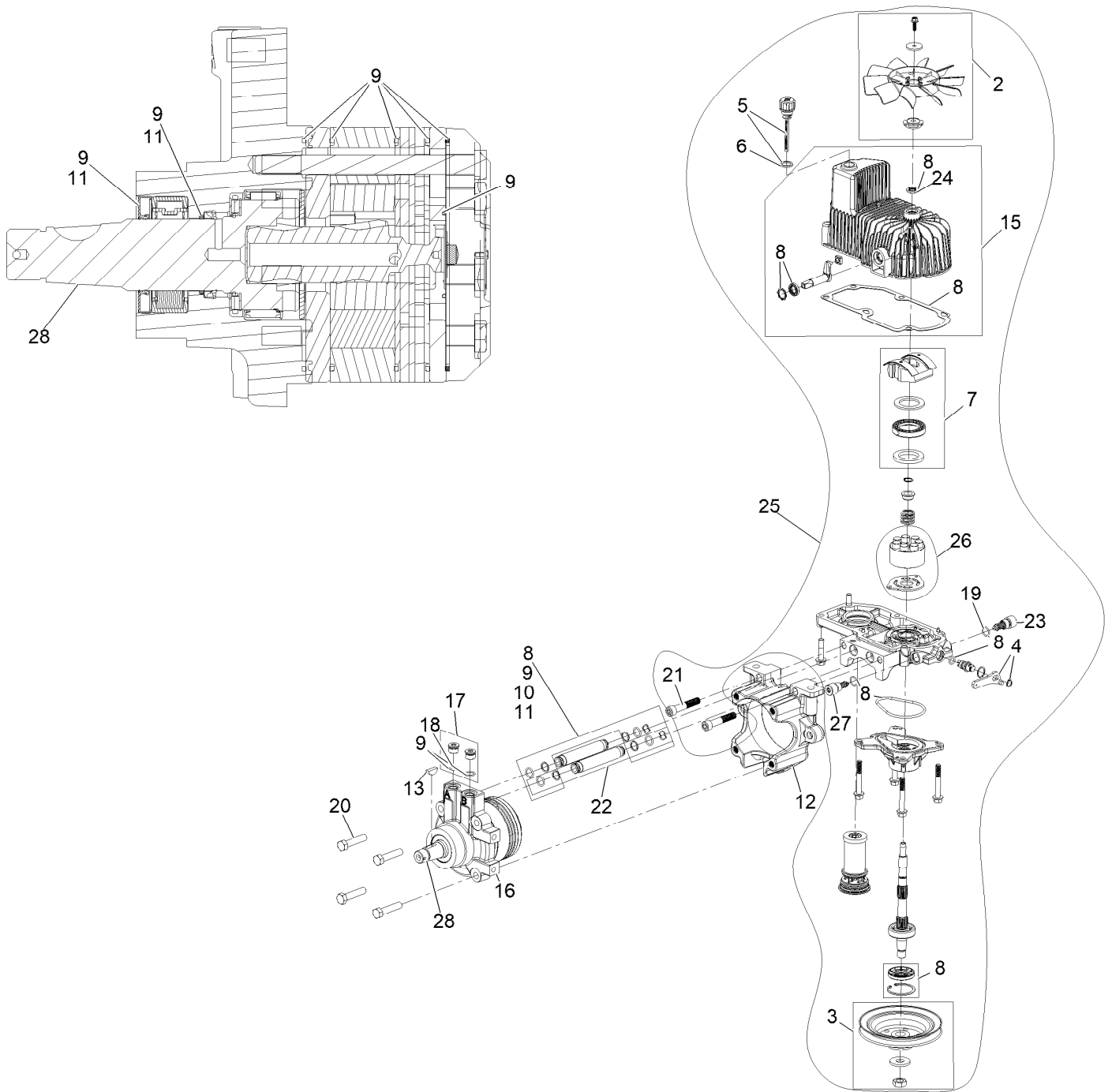
Pump Idler Assembly No. 116-1255



Pump Idler Assembly No. 116-1255 (continued)

| <i>Ref.</i> | <i>Part Number</i> | <i>Qty.</i> | <i>Description</i> | <i>Ref.</i> | <i>Part Number</i> | <i>Qty.</i> | <i>Description</i> |
|-------------|--------------------|-------------|--------------------|-------------|--------------------|-------------|--------------------|
| 2 | 43-0940 | 1 | Spacer | 8 | 323-8 | 1 | Screw-HH |
| 3 | 103-3504 | 2 | Bearing-Spherical | 9 | 32120-10 | 2 | Ring-Snap |
| 4 | 103-3505 | 1 | Seal-Lip, Double | 10 | 302-19 | 1 | Fitting-Grease |
| 5 | 103-3506 | 1 | Seal-Lip, Single | 11 | 109-8076 | 1 | Pulley-Idler |
| 6 | 109-6658 | 1 | Nut-Flange, NI | 12 | 132-4724 | 1 | Pin-Anchor, Spring |
| 7 | 106-7159 | 2 | O-Ring | | | | |

LH Hydro Assembly No. 135-7907

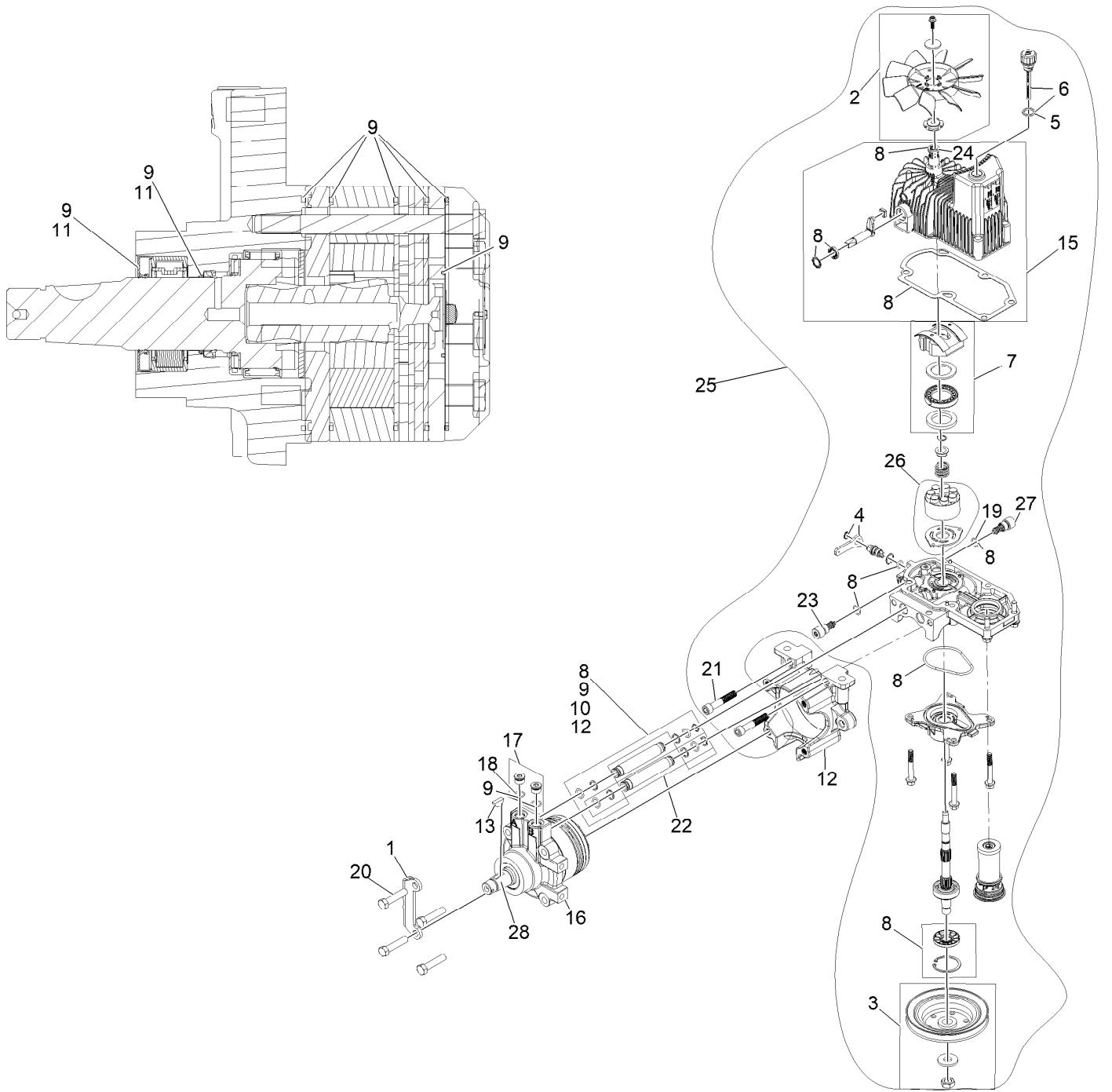


LH Hydro Assembly No. 135-7907 (continued)

| <i>Ref.</i> | <i>Part Number</i> | <i>Qty.</i> | <i>Description</i> | <i>Ref.</i> | <i>Part Number</i> | <i>Qty.</i> | <i>Description</i> |
|-------------|--------------------|-------------|----------------------------|-------------|--------------------|-------------|-----------------------------------|
| 2 | 142-3603 | 1 | Kit, 7.8 In Fan | 17 | 116-7901 | 1 | Magnetic Plugs Service Kit |
| 3 | 116-0234 | 1 | Pulley Kit | 18 | 76-1900 | 2 | O-Ring |
| 4 | 116-0235 | 1 | Handle | 19 | 116-8662 | 2 | O-Ring-Valve, Check |
| 5 | 116-0236 | 1 | Dipstick | 20 | 116-8974 | 4 | Screw-HH 1/2-20 X 2 1/4 |
| 6 | 116-0237 | 1 | Gasket | 21 | 116-8975 | 2 | Screw-HSH 1/2-20 X 2 3/4 |
| 7 | 116-1367 | 1 | Swash Block Kit | 22 | 116-9922 | 2 | Hydraulic Tube Kit |
| 8 | 142-3604 | 1 | Kit, Pump Seal | 23 | 126-7467 | 1 | Shock Valve, 16Cc Hydro |
| 9 | 116-1369 | 1 | Motor Seal Kit | 24 | 126-7711 | 1 | Seal-Drive, Fan |
| 10 | 116-1370 | 1 | Tube Seal Kit | 25 | 142-3607 | 1 | Kit, Pump Section 16Cc LH |
| 11 | 116-1371 | 1 | Output Shaft Seal Kit | 26 | 142-4501 | 1 | Kit - 16Cc Port Plate, Rotate Grp |
| 12 | 116-5469 | 1 | Cup-Nose | | | | |
| 13 | 3257-42 | 1 | Key-Woodruff 5/16 X 1 | 27 | 142-4458 | 1 | Shock Valve Orificed 3300 |
| 15 | 142-4460 | 1 | Kit, Housing-Hydro LH | 28 | 146-3749 | 1 | Output Shaft- TI Uht Motor |
| 16 | 146-1948 | 1 | HYD Motor, 280Cc LH Sealed | 99 | 116-1373 | 1 | Flow Test Kit ● |

● Not illustrated

RH Hydro Assembly No. 135-7908

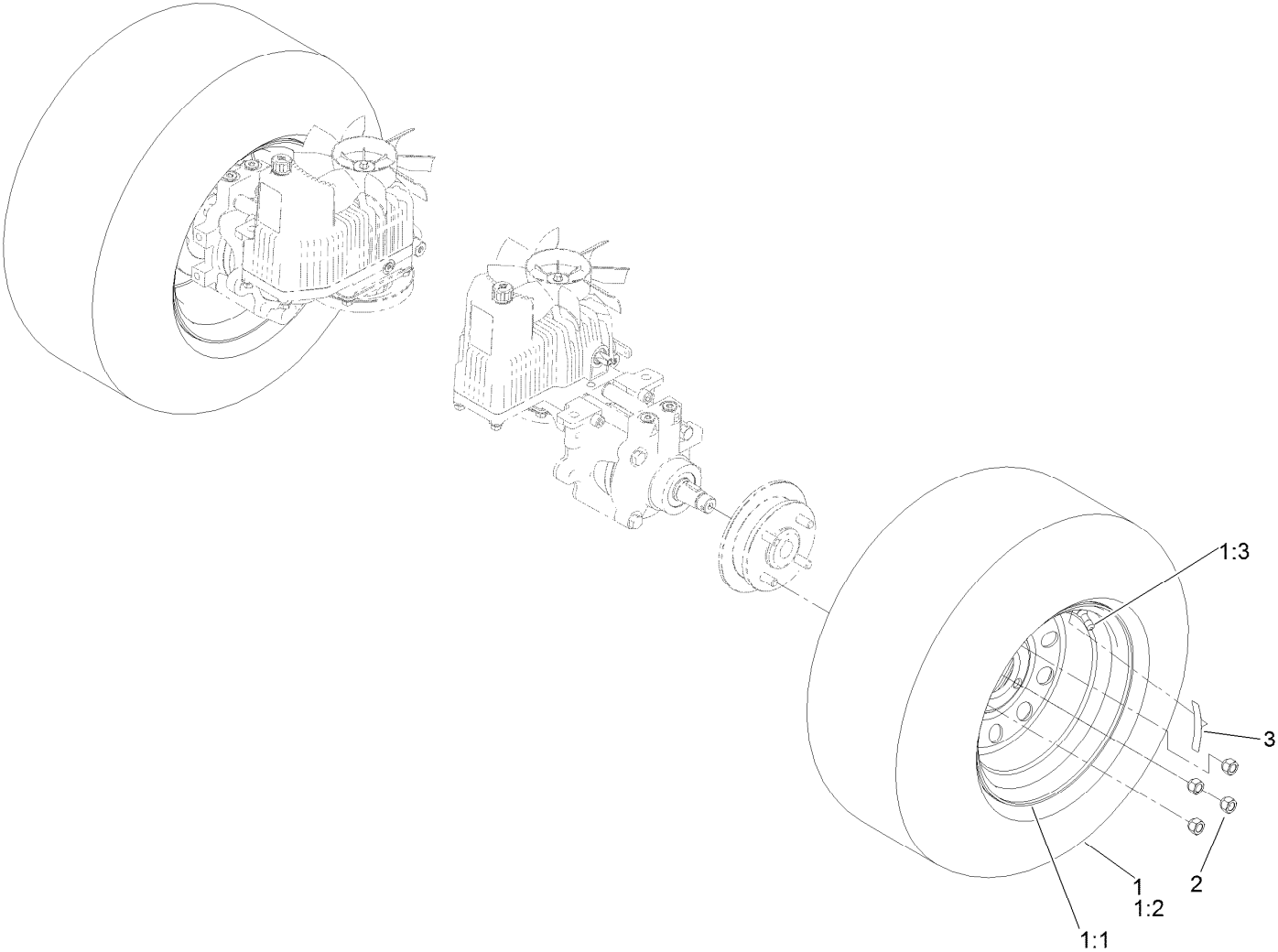


RH Hydro Assembly No. 135-7908 (continued)

| <i>Ref.</i> | <i>Part Number</i> | <i>Qty.</i> | <i>Description</i> | <i>Ref.</i> | <i>Part Number</i> | <i>Qty.</i> | <i>Description</i> |
|-------------|--------------------|-------------|----------------------------|-------------|--------------------|-------------|-----------------------------------|
| 1 | 135-7827 | 1 | Plate, Horse Shoe Mount | 17 | 116-7901 | 1 | Magnetic Plugs Service Kit |
| 2 | 142-3603 | 1 | Kit, 7.8 In Fan | 18 | 76-1900 | 2 | O-Ring |
| 3 | 116-0234 | 1 | Pulley Kit | 19 | 116-8662 | 2 | O-Ring-Valve, Check |
| 4 | 116-0235 | 1 | Handle | 20 | 116-8974 | 4 | Screw-HH 1/2-20 X 2 1/4 |
| 5 | 116-0237 | 1 | Gasket | 21 | 116-8975 | 2 | Screw-HSH 1/2-20 X 2 3/4 |
| 6 | 116-0236 | 1 | Dipstick | 22 | 116-9922 | 2 | Hydraulic Tube Kit |
| 7 | 116-1367 | 1 | Swash Block Kit | 23 | 126-7467 | 1 | Shock Valve, 16Cc Hydro |
| 8 | 142-3604 | 1 | Kit, Pump Seal | 24 | 126-7711 | 1 | Seal-Drive, Fan |
| 9 | 116-1369 | 1 | Motor Seal Kit | 25 | 142-3606 | 1 | Kit, Pump Section 16Cc RH |
| 10 | 116-1370 | 1 | Tube Seal Kit | 26 | 142-4501 | 1 | Kit - 16Cc Port Plate, Rotate Grp |
| 11 | 116-1371 | 1 | Output Shaft Seal Kit | | | | |
| 12 | 116-5469 | 1 | Cup-Nose | 27 | 142-4458 | 1 | Shock Valve Orificed 3300 |
| 13 | 3257-42 | 1 | Key-Woodruff 5/16 X 1 | 28 | 146-3749 | 1 | Output Shaft- TI Uht Motor |
| 15 | 142-4461 | 1 | Kit, Housing-Hydro RH | 99 | 116-1373 | 1 | Flow Test Kit ● |
| 16 | 146-1947 | 1 | HYD Motor, 280Cc RH Sealed | 99 | 116-4245 | 1 | Puller-Pulley |

● Not illustrated

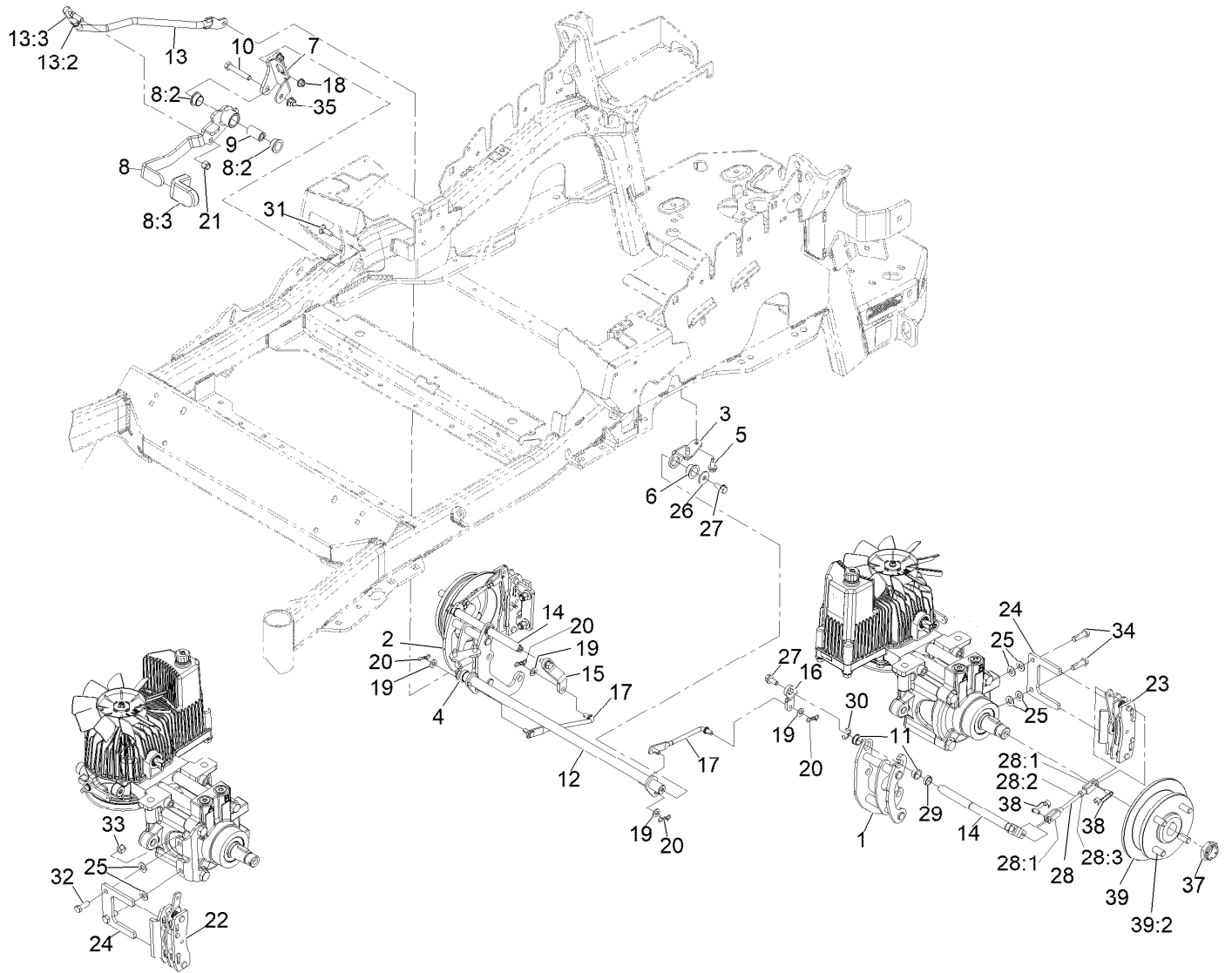
Rear Wheel Assembly



Rear Wheel Assembly (continued)

| <i>Ref.</i> | <i>Part Number</i> | <i>Qty.</i> | <i>Description</i> | <i>Ref.</i> | <i>Part Number</i> | <i>Qty.</i> | <i>Description</i> |
|-------------|--------------------|-------------|--------------------|-------------|--------------------|-------------|--------------------------------|
| 1 | 127-9520 | 2 | Wheel And Tire ASM | 2 | 242-50 | 8 | Nut-Lug |
| 1:1 | 127-9517 | 1 | Wheel | 3 | 126-2055 | 2 | Decal-Torque, Wheel Hub Lug |
| 1:2 | 1-633993 | 1 | Tire | | | | |
| 1:3 | 232-27 | 1 | Stem-Valve | | | | |

Park Brake Assembly

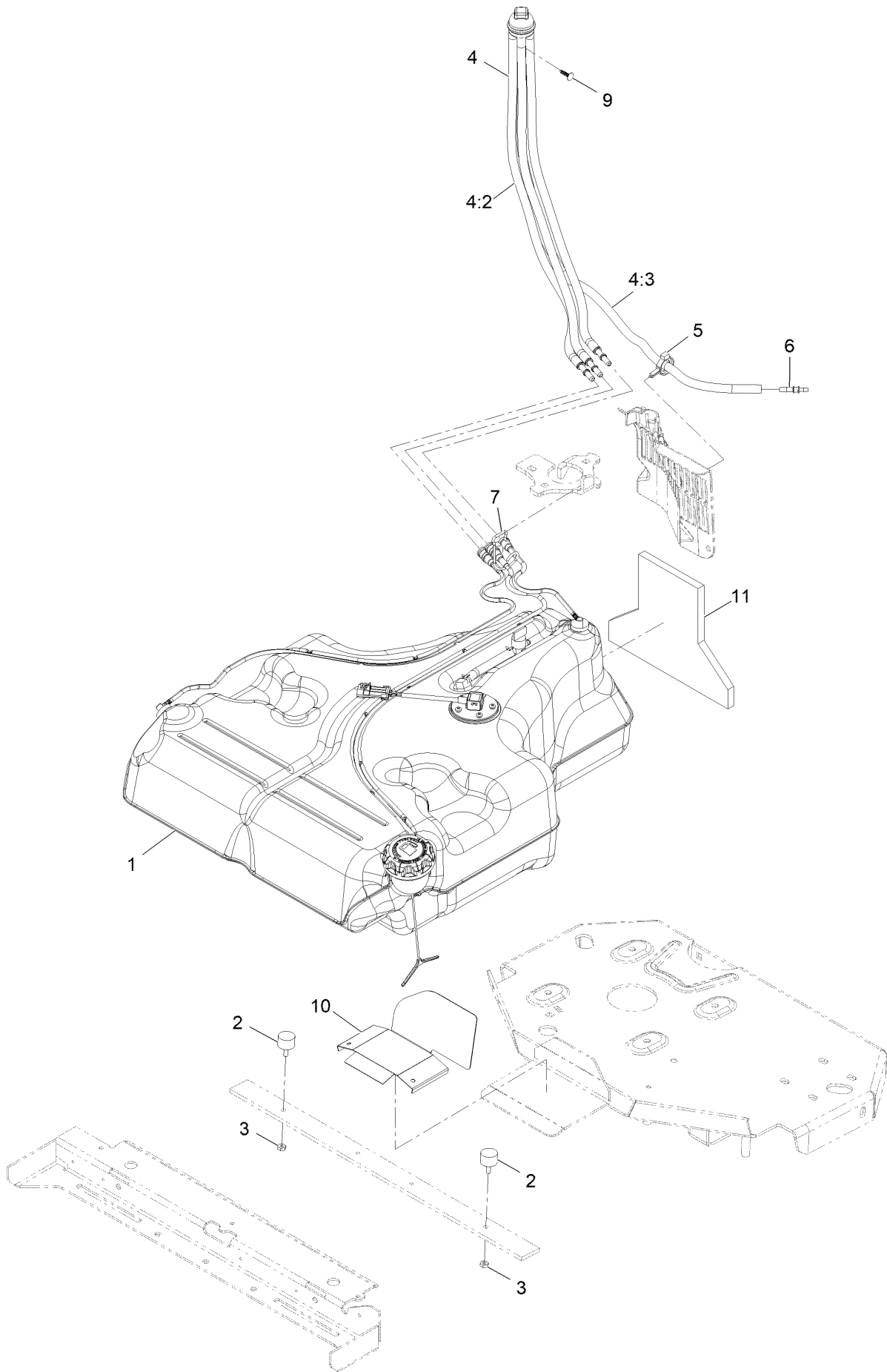


REAR VIEW OF
RIGHT HAND HYDRO

Park Brake Assembly (continued)

| <i>Ref.</i> | <i>Part Number</i> | <i>Qty.</i> | <i>Description</i> | <i>Ref.</i> | <i>Part Number</i> | <i>Qty.</i> | <i>Description</i> |
|-------------|--------------------|-------------|-------------------------------|-------------|--------------------|-------------|---------------------------|
| 1 | 126-4248 | 1 | Mount-Bellcrank, LH | 20 | 119-1415 | 4 | Pin-Cotter, Locking |
| 2 | 126-4249 | 1 | Mount-Bellcrank, RH | 21 | 3296-6 | 1 | Nut-Nyloc 3/8-24 |
| 3 | 116-9681 | 1 | Mount-Pivot, LH | 22 | 135-7440 | 1 | Caliper-Brake, RH |
| 4 | 116-9682 | 1 | Mount-Pivot, RH | 23 | 135-7441 | 1 | Caliper-Brake, LH |
| 5 | 32144-70 | 4 | Screw-HWH 5/16-18 X 3/4 Tf | 24 | 135-7828 | 2 | Plate-Mount, Brake |
| 6 | 109-8054 | 2 | Bushing-Flanged | 25 | 3256-24 | 6 | Washer-3/8 SAE |
| 7 | 116-9096-01 | 1 | Bracket-Mount | 26 | 115-7109 | 2 | Washer-Flat |
| 8 | 135-7565 | 1 | Brake Lever ASM | 27 | 98-9940 | 4 | Screw-HHF |
| 8:2 | 109-8054 | 2 | Bushing-Flanged | 28 | 126-7587 | 2 | Rear Linkage ASM |
| 8:3 | 132-4749 | 1 | Grip-Lever | 28:1 | 126-7588 | 2 | Yoke |
| 9 | 116-9117 | 1 | Pivot-Handle, Brake | 28:2 | 116-9069 | 1 | Linkage, Rear |
| 10 | 323-11 | 1 | Screw-HH 3/8-16 X 2 1/4 | 28:3 | 3220-1 | 1 | Nut-Jam 1/4-28 |
| 11 | 126-6199 | 4 | Bushing | 29 | 126-6200 | 2 | Spacer |
| 12 | 135-7800 | 1 | Shaft-Cross | 30 | 32120-19 | 2 | E-Ring |
| 13 | 135-7805 | 1 | ASM, Front Linkage | 31 | 3230-2 | 2 | Bolt-Carriage 5/16-18 X 1 |
| 13:2 | 94-7572 | 1 | End-Tie Rod, RH | 32 | 135-7915 | 2 | Screw-HH, |
| 13:3 | 3220-3 | 1 | Nut-Jam 3/8-24 | 33 | 112-0236 | 2 | Nut-Lock |
| 14 | 126-4251 | 2 | Bellcrank | 34 | 135-7890 | 2 | Screw-HH, Patch, |
| 15 | 126-3716 | 1 | Arm-Inner, RH | 35 | 104-8301 | 1 | Nut-Nyloc 3/8-16 Flg |
| 16 | 126-3715 | 1 | Arm-Inner, LH | 37 | 116-1399 | 2 | Locknut |
| 17 | 142-6328 | 2 | Mid-Link, Short | 38 | 126-6395 | 4 | Pin-Clevis, Spring |
| 18 | 104-8300 | 2 | Nut-Nyloc 5/16-18 Flg | 39 | 142-2701 | 2 | Wheel Hub ASM |
| 19 | 3256-23 | 4 | Washer-5/16 SAE | 39:2 | 116-1696 | 4 | Stud-Wheel |

Fuel Assembly



Fuel Assembly (continued)

| <i>Ref.</i> | <i>Part Number</i> | <i>Qty.</i> | <i>Description</i> | <i>Ref.</i> | <i>Part Number</i> | <i>Qty.</i> | <i>Description</i> |
|-------------|--------------------|-------------|------------------------|-------------|--------------------|-------------|----------------------------|
| 1 | 135-0643 | 1 | Fuel Tank ASM | 5 | 105-1853 | 1 | Clamp-Hose |
| 2 | 1-523420 | 2 | Bumper | 6 | 135-5678 | 1 | Barb-Fuel |
| 3 | 3218-1 | 2 | Nut-Jam 1/4-20 | 7 | 116-6005 | 1 | Retainer-Line, Vapor |
| 4 | 127-0583 | 1 | Fuel Manifold Vent ASM | 9 | 125-8067 | 1 | Plug-Plastic |
| 4:2 | 109-0302 | 3 | Hose-Fuel Line 24" | 10 | 126-0032-01 | 1 | Guard-Exhaust |
| 4:3 | 108-5376 | 1 | Hose-Fuel | 11 | 126-0224 | 1 | Insulation-Foam, Fuel Tank |

Fuel Tank Assembly No. 135-0643



Fuel Tank Assembly No. 135-0643 (continued)

| <i>Ref.</i> | <i>Part Number</i> | <i>Qty.</i> | <i>Description</i> | <i>Ref.</i> | <i>Part Number</i> | <i>Qty.</i> | <i>Description</i> |
|-------------|--------------------|-------------|---------------------------------|-------------|--------------------|-------------|-----------------------------------|
| 2 | 46-6560 | 4 | Bushing | 8:1 | 46-6560 | 1 | Bushing |
| 3 | 116-2459 | 1 | Fuel Line Kit (With Grommet) | 9 | 116-2461 | 1 | LH Vent Line Kit (With Grommet) |
| 3:1 | 46-6560 | 1 | Bushing | 9:1 | 46-6560 | 1 | Bushing |
| 4 | 3290-500 | 5 | Screw-PPH | 10 | 116-2462 | 1 | Rear Vent Line Kit (With Grommet) |
| 5 | 3253-17 | 5 | Washer-Lock | 10:1 | 46-6560 | 1 | Bushing |
| 6 | 126-3913 | 1 | Float-Sender, Fuel | 11 | 1-603770 | 1 | Valve-Fuel |
| 6:1 | 126-3950 | 1 | Gasket-Sender | 12 | 2412-98 | 2 | Clamp-Hose |
| 7 | 126-1789 | 1 | Cap-Fuel, Ratcheting | 13 | 109-0650 | 1 | Hose-Fuel |
| 8 | 116-2460 | 1 | RH Vent Line Kit (With Grommet) | | | | |

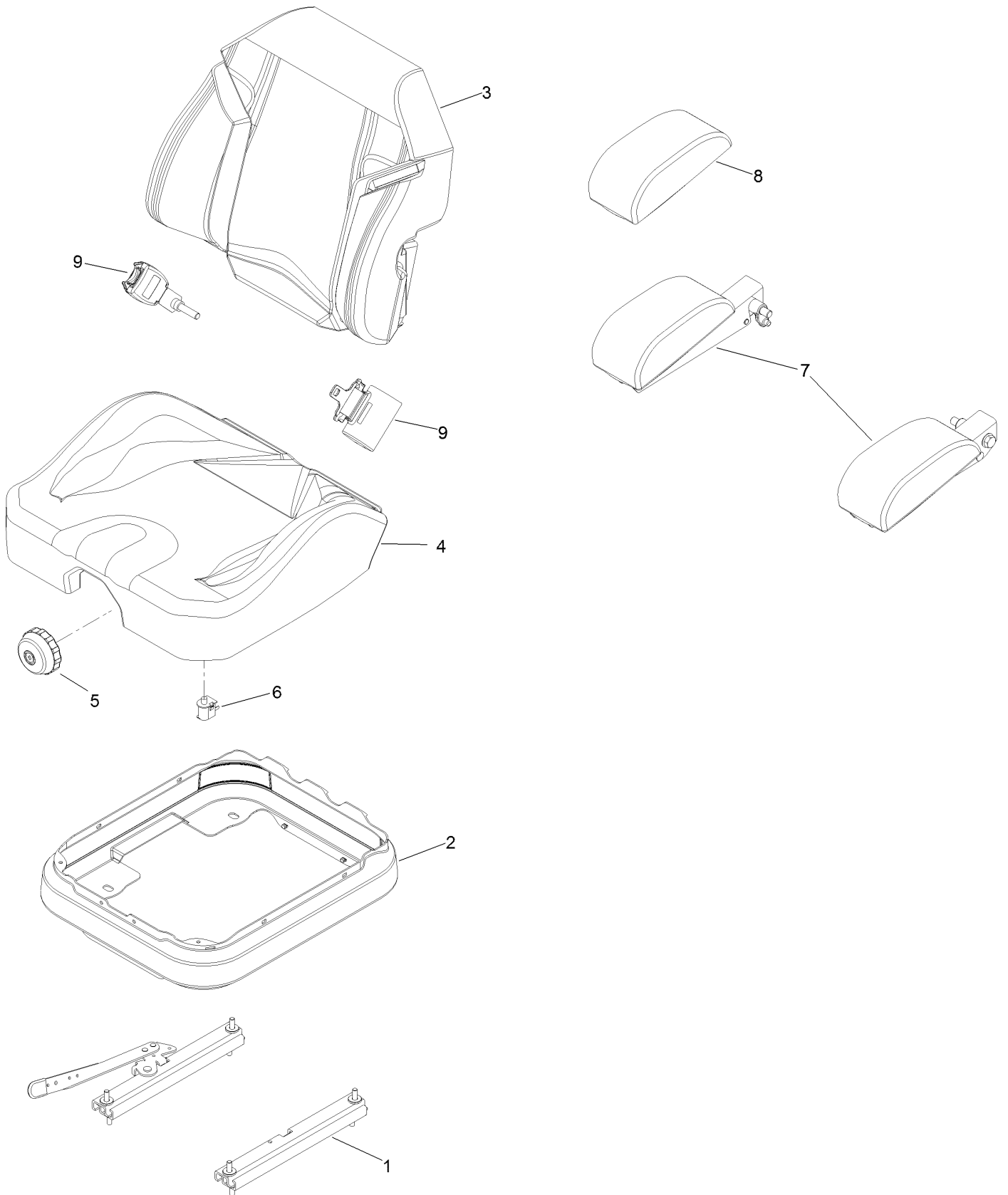
Seat Mounting Assembly



Seat Mounting Assembly (continued)

| <i>Ref.</i> | <i>Part Number</i> | <i>Qty.</i> | <i>Description</i> | <i>Ref.</i> | <i>Part Number</i> | <i>Qty.</i> | <i>Description</i> |
|-------------|--------------------|-------------|--------------------------|-------------|--------------------|-------------|--------------------|
| 1 | 140-8003 | 1 | Seat-Suspension | 9:3 | 125-9383 | 1 | Decal-Service Aid |
| 2 | 109-9034 | 4 | Isolator-Seat | 10 | 109-9881-03 | 1 | Plate-Latch, Seat |
| 3 | 104-8301 | 4 | Nut-HF, NI | 11 | 3230-4 | 1 | Bolt-CARR |
| 4 | 116-3860-03 | 1 | Plate-Tilt, Seat Support | 12 | 107-3017 | 1 | Spring-Compression |
| 5 | 3230-23 | 11 | Bolt-CARR | 13 | 9266934 | 2 | Screw |
| 6 | 104-8300 | 18 | Nut-HF, NI | 14 | 140-1215 | 1 | Decal-Console |
| 7 | 116-3859-03 | 1 | Plate-Frame, Seat | 15 | 116-1297 | 2 | Screw-Shoulder |
| 8 | 26-4840 | 4 | Spacer-Pin, Mounting | 16 | 116-0070 | 1 | Rod-Prop |
| 9 | 125-9385 | 1 | Seat Mount ASM | 17 | 3256-23 | 1 | Washer-Plain |

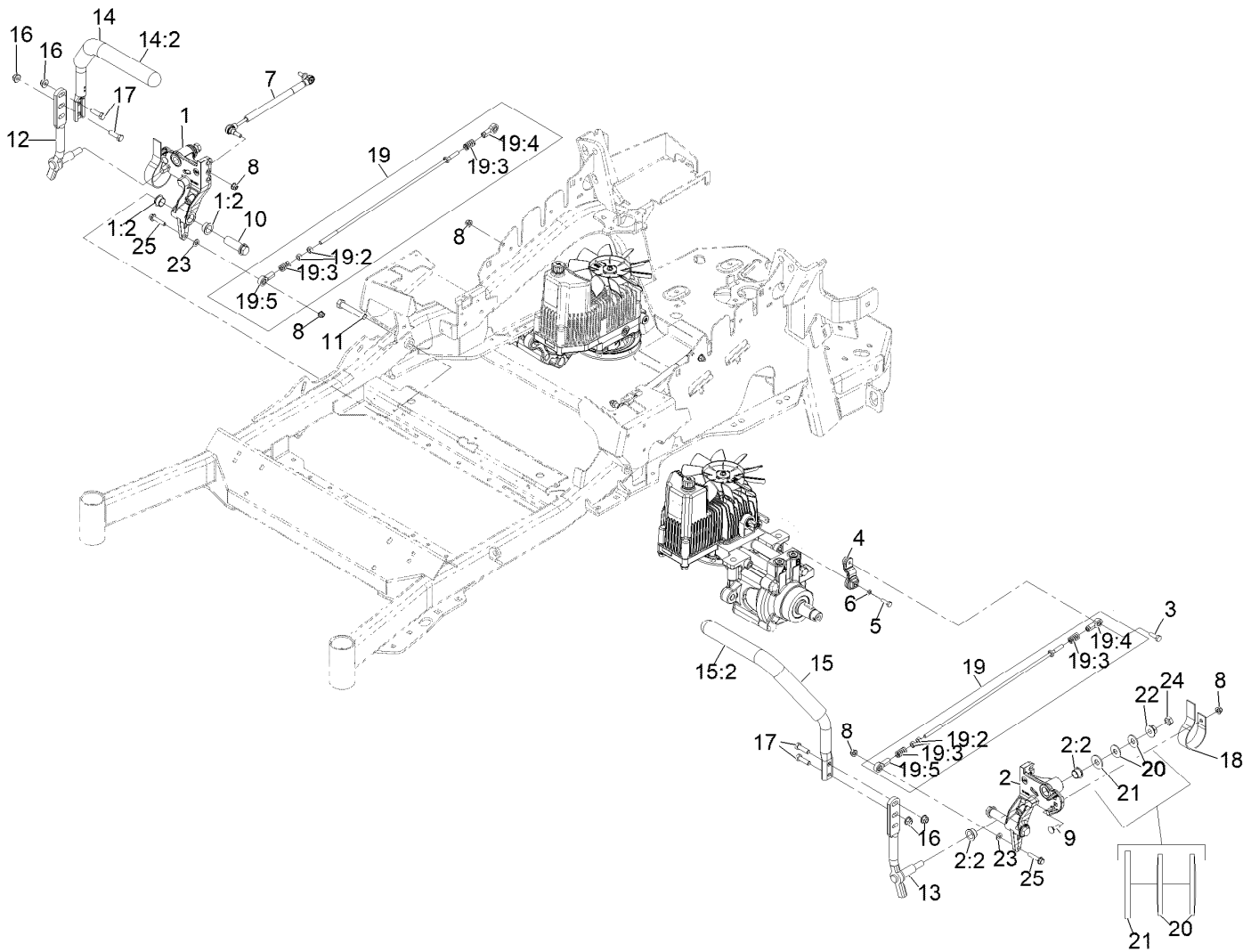
Seat Assembly No. 140-8003



Seat Assembly No. 140-8003 (continued)

| <i>Ref.</i> | <i>Part Number</i> | <i>Qty.</i> | <i>Description</i> | <i>Ref.</i> | <i>Part Number</i> | <i>Qty.</i> | <i>Description</i> |
|-------------|--------------------|-------------|--------------------------|-------------|--------------------|-------------|-----------------------|
| 1 | 140-8012 | 1 | Seat Track Set | 6 | 82-2190 | 1 | Switch-Bail |
| 2 | 116-5659 | 1 | Cover-Suspension Bellows | 7 | 109-9803 | 1 | Arm Rest Set |
| 3 | 140-8004 | 1 | Cover-Back | 8 | 109-9802 | 1 | Arm Rest Pad Set |
| 4 | 140-8005 | 1 | Cover-Cushion | 9 | 126-2061 | 1 | Seat Belt Service Kit |
| 5 | 116-8911 | 1 | Knob-Adjuster | | | | |

Motion Control Assembly

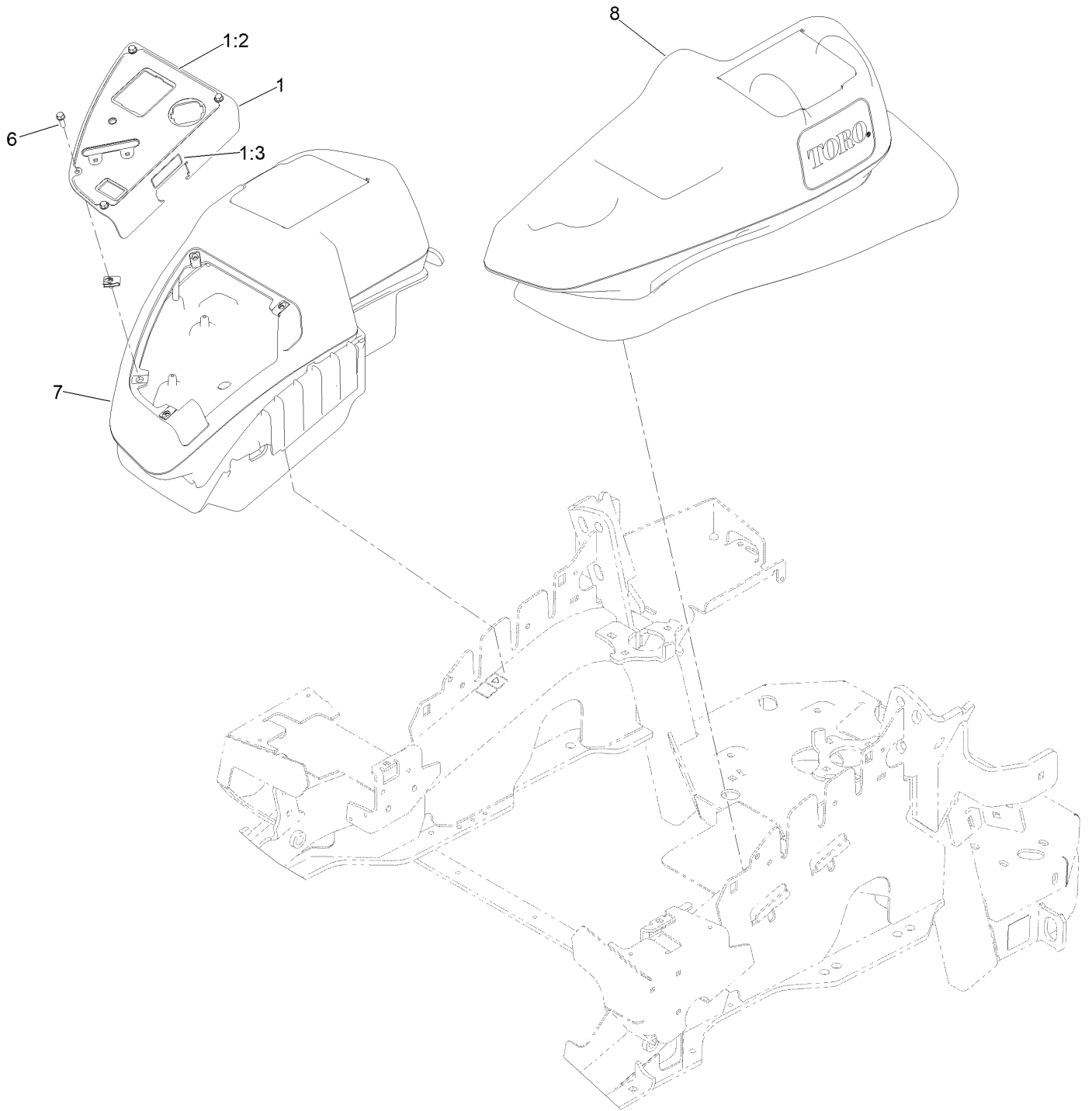


Motion Control Assembly (continued)

| <i>Ref.</i> | <i>Part Number</i> | <i>Qty.</i> | <i>Description</i> | <i>Ref.</i> | <i>Part Number</i> | <i>Qty.</i> | <i>Description</i> |
|-------------|--------------------|-------------|-----------------------------------|-------------|--------------------|-------------|----------------------------------|
| 1 | 116-0880 | 1 | RH Motion Control And Bushing ASM | 14:2 | 109-5668 | 1 | Grip-Lever, Control |
| 1:2 | 109-8054 | 4 | Bushing-Flanged | 15 | 135-4373 | 1 | LH Handle ASM |
| 2 | 116-0881 | 1 | LH Motion Control And Bushing ASM | 15:2 | 109-5668 | 1 | Grip-Lever, Control |
| 2:2 | 109-8054 | 4 | Bushing-Flanged | 16 | 104-8301 | 4 | Nut-Nyloc 3/8-16 Flg |
| 3 | 116-0648 | 2 | Screw-HH 5/16-18 X 1 W/Patch ● | 17 | 323-7 | 4 | Screw-HH 3/8-16 X 1 1/4 |
| 4 | 109-4581 | 2 | Arm-Control, Pump | 18 | 109-5575 | 2 | Spring-Leaf |
| 5 | 9080046 | 2 | Screw-HH 1/4-20 X 7/8 ● | 19 | 109-8106 | 2 | Front Pump Linkage ASM |
| 6 | 1-303435 | 2 | Washer-Spring Disc 1/4 | 19:2 | 3219-2 | 2 | Nut-Hex 5/16-24 |
| 7 | 116-0027 | 2 | Damper-Control, Motion | 19:3 | 1-323245 | 2 | Spring-Compression |
| 8 | 104-8300 | 8 | Nut-Nyloc 5/16-18 Flg | 19:4 | 1-633152 | 1 | Balljoint |
| 9 | 3230-2 | 2 | Bolt-Carriage 5/16-18 X 1 | 19:5 | 1-543017 | 1 | Balljoint |
| 10 | 109-5891 | 2 | Hub-Threaded | 20 | 109-9505 | 4 | Washer, Spring Disc 1/2 |
| 11 | 325-12 | 2 | Screw-HH 1/2-13 X 3 | 21 | 3256-6 | 2 | Washer |
| 12 | 116-0039 | 1 | Lever-Control Motion, RH | 22 | 32128-56 | 2 | Nut-Hex 1/2-13 Flange |
| 13 | 116-0040 | 1 | Lever-Control Motion, LH | 23 | 3256-23 | 2 | Washer-5/16 SAE |
| 14 | 135-4371 | 1 | RH Handle ASM | 24 | 3218-5 | 2 | Nut-Jam 1/2-13 |
| | | | | 25 | 115-1794 | 2 | Screw-Hex Flange 5/16-18 X 1 1/2 |

● Use Pro-Lock, Nut Type (P/N 1-840022, .5ml tube) on threads.

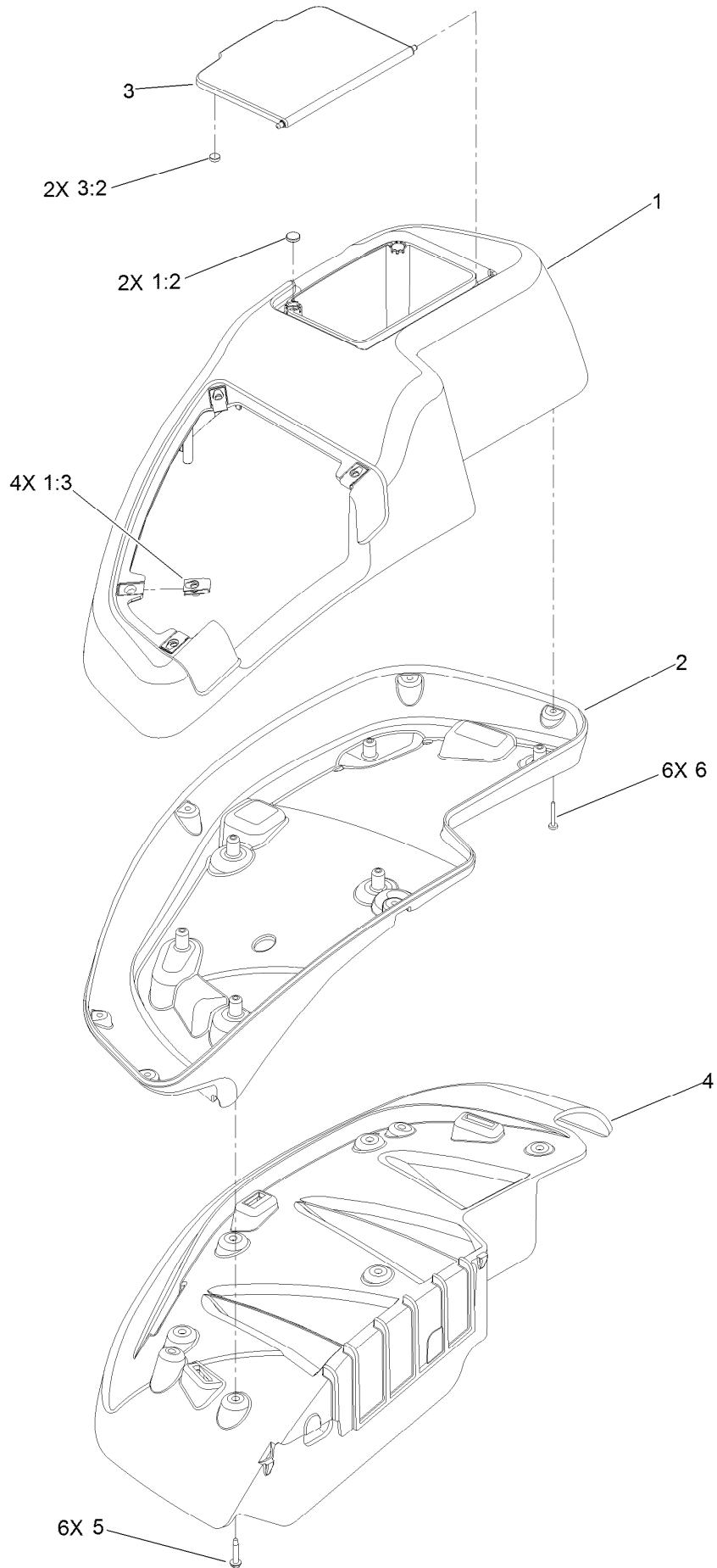
Console and Control Panel Assembly



Console and Control Panel Assembly (continued)

| <i>Ref.</i> | <i>Part Number</i> | <i>Qty.</i> | <i>Description</i> | <i>Ref.</i> | <i>Part Number</i> | <i>Qty.</i> | <i>Description</i> |
|-------------|--------------------|-------------|---------------------|-------------|--------------------|-------------|--------------------|
| 1 | 119-4232 | 1 | Control Panel ASM | 6 | 32105-15 | 4 | Screw-HWH |
| 1:2 | 120-5899 | 1 | Decal-Control Panel | 7 | 115-7400 | 1 | RH Console ASM |
| 1:3 | 114-4466 | 1 | Decal-Fuses | 8 | 115-7401 | 1 | LH Console ASM |

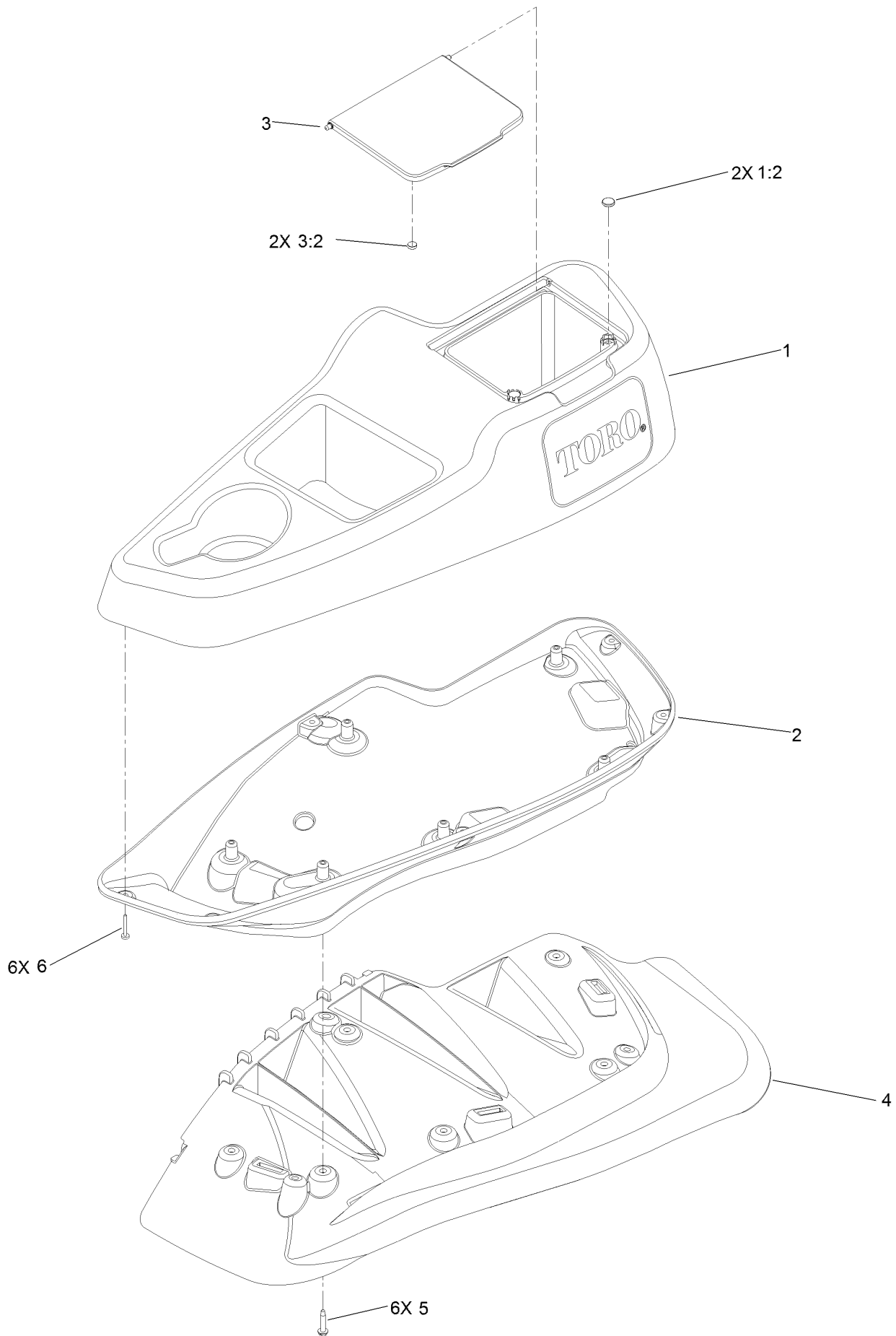
RH Console Assembly No. 115-7400



RH Console Assembly No. 115-7400 (continued)

| <i>Ref.</i> | <i>Part Number</i> | <i>Qty.</i> | <i>Description</i> | <i>Ref.</i> | <i>Part Number</i> | <i>Qty.</i> | <i>Description</i> |
|-------------|--------------------|-------------|-------------------------|-------------|--------------------|-------------|----------------------|
| 1 | 114-1538 | 1 | RH Wide Top Console ASM | 3:2 | 114-5896 | 2 | Magnet |
| 1:2 | 117-0883 | 2 | Puck | 4 | 109-9083 | 1 | Fender-Wide, RH |
| 1:3 | 107069 | 4 | Clip | 5 | 32144-89 | 6 | Screw-Thread Forming |
| 2 | 115-3643 | 1 | Console-Lower, RH Wide | 6 | 117-0347 | 6 | Screw-PPH |
| 3 | 114-1537 | 1 | Wide Lid ASM | | | | |

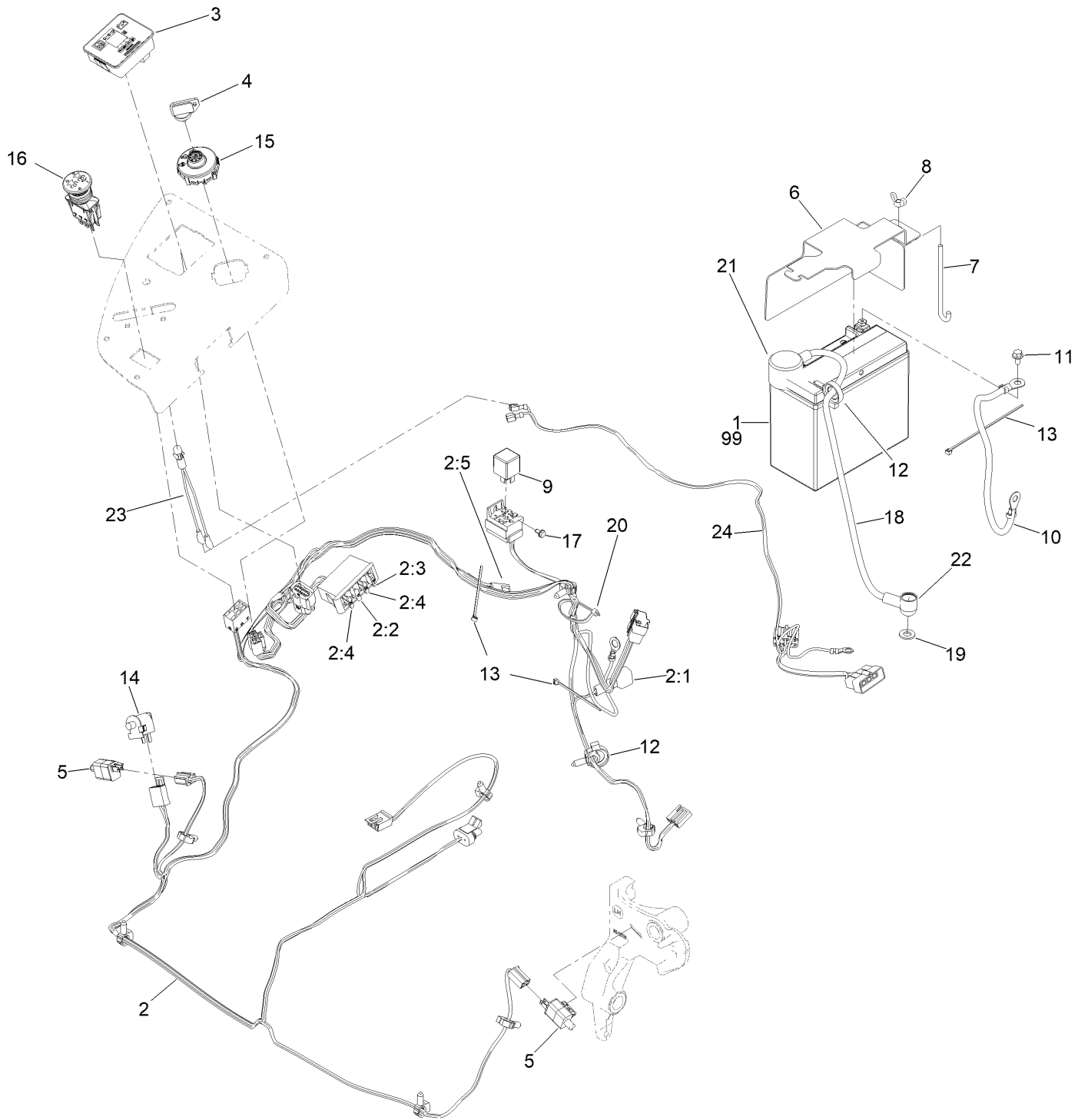
LH Console Assembly No. 115-7401



LH Console Assembly No. 115-7401 (continued)

| <i>Ref.</i> | <i>Part Number</i> | <i>Qty.</i> | <i>Description</i> | <i>Ref.</i> | <i>Part Number</i> | <i>Qty.</i> | <i>Description</i> |
|-------------|--------------------|-------------|-------------------------|-------------|--------------------|-------------|----------------------|
| 1 | 114-1539 | 1 | LH Wide Console Top ASM | 3:2 | 114-5896 | 2 | Magnet |
| 1:2 | 117-0883 | 2 | Puck | 4 | 109-9085 | 1 | Fender-Wide, LH |
| 2 | 115-3641 | 1 | Console-Lower, LH Wide | 5 | 32144-89 | 6 | Screw-Thread Forming |
| 3 | 114-1537 | 1 | Wide Lid ASM | 6 | 117-0347 | 6 | Screw-PPH |

Electrical Assembly

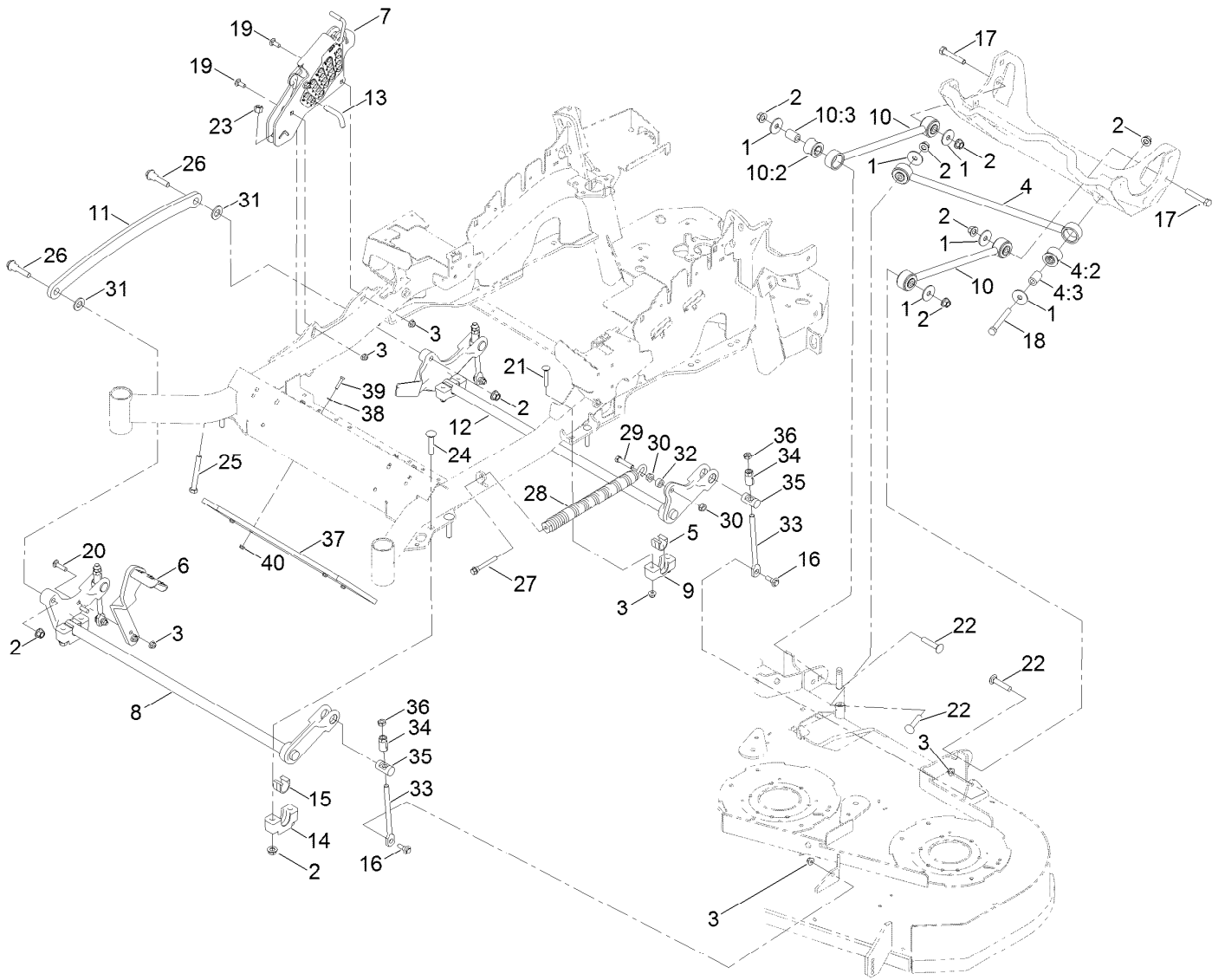


Electrical Assembly (continued)

| <i>Ref.</i> | <i>Part Number</i> | <i>Qty.</i> | <i>Description</i> | <i>Ref.</i> | <i>Part Number</i> | <i>Qty.</i> | <i>Description</i> |
|-------------|--------------------|-------------|----------------------------|-------------|--------------------|-------------|-------------------------|
| 1 | 142-7345 | 1 | Battery-Agm | 11 | 126-2713 | 2 | Screw-HHF |
| 2 | 116-6009 | 1 | Harness-Wire, Main ● | 12 | 105-1853 | 2 | Clamp-Hose |
| 2:1 | 103-3895 | 1 | Diode | 13 | 1-303287 | 3 | Tie-Cable |
| 2:2 | 218-578 | 1 | Fuse-Blade, 10 Amp | 14 | 82-2190 | 1 | Switch-Bail |
| 2:3 | 109355 | 1 | Fuse-Blade, 15 Amp | 15 | 137-4100 | 1 | Switch-Ignition |
| 2:4 | 109102 | 2 | Fuse-Blade, 25 Amp | 16 | 135-3653 | 1 | Switch, PTO 10A |
| 2:5 | 116-0053 | 1 | Cap-Plug | 17 | 104-2065 | 1 | Screw-HWH |
| 3 | 117-3882 | 1 | Fuel/Hour Meter ASM | 18 | 115-3864 | 1 | Cable-Battery, Positive |
| 4 | 1-603511 | 1 | Keys-Ignition (Spare Pair) | 19 | 3256-24 | 1 | Washer-Plain |
| 4 | 63-8360 | 1 | Key-Ignition | 20 | 3290-378 | 1 | Tie-Cable |
| 5 | 110-6765 | 2 | Switch | 21 | 109-2407 | 1 | Insulator-Battery |
| 6 | 142-6707-03 | 1 | Bracket-Holddown, Battery | 22 | 1-543393 | 1 | Insulator-Solenoid |
| 7 | 142-6406 | 1 | Bolt-Holddown | 23 | 1-643267 | 1 | Indicator-LED, Red |
| 8 | 1-543792 | 1 | Wingnut | 24 | 142-6440 | 1 | Harness-Indicator Light |
| 9 | 1-643275 | 1 | Relay | 99 | 142-7682 | 1 | Hardware Kit, Battery |
| 10 | 112-7063 | 1 | Cable-Battery, Black | | | | |

● Use dielectric grease on all unsealed connectors and terminals only. Do not apply in sealed connectors.

Deck Lift Assembly



Deck Lift Assembly (continued)

| <i>Ref.</i> | <i>Part Number</i> | <i>Qty.</i> | <i>Description</i> | <i>Ref.</i> | <i>Part Number</i> | <i>Qty.</i> | <i>Description</i> |
|-------------|--------------------|-------------|---|-------------|--------------------|-------------|--------------------------|
| 1 | 86-1990 | 6 | Washer-Thrust | 17 | 325-12 | 2 | Screw-HH |
| 2 | 99-5107 | 12 | Nut-Lock | 18 | 325-17 | 1 | Screw-HH |
| 3 | 104-8301 | 12 | Nut-HF, NI | 19 | 3231-2 | 2 | Bolt-CARR |
| 4 | 109-5013 | 1 | Panhard Rod ASM | 20 | 3231-4 | 2 | Screw-CARR |
| 4:2 | 109-5009 | 2 | Bushing-Suspension, Rubber | 21 | 3231-7 | 4 | Screw-CARR |
| 4:3 | 109-5010 | 2 | Spacer | 22 | 3233-34 | 3 | Screw-CARR |
| 5 | 109-7173 | 2 | Bearing-Cross Shaft, Rear | 23 | 3296-23 | 1 | Nut-Lock, NI |
| 6 | 116-1919-01 | 1 | Lever-Foot | 24 | 116-1700 | 4 | Bolt-CARR |
| 7 | 109-7438 | 1 | HOC ASM | 25 | 116-0559 | 1 | Bolt-TAP |
| 8 | 126-2477-03 | 1 | Decklift-Front | 26 | 116-2022 | 2 | Screw-HHF, Shoulder |
| 9 | 127-0553 | 2 | Support-Bearing, Cross Shaft (Rear) | 27 | 92-7674 | 1 | Bolt-Shoulder |
| 10 | 109-7952 | 2 | Deck Strut ASM | 28 | 116-0000 | 1 | Spring-Extension |
| 10:2 | 109-5009 | 2 | Bushing-Suspension, Rubber | 29 | 109-9065 | 1 | Screw-HH |
| 10:3 | 109-5010 | 2 | Spacer | 30 | 32128-37 | 2 | Nut-HF |
| 11 | 116-0797-03 | 1 | Link-Lift, Deck | 31 | 3256-28 | 2 | Washer-Flat |
| 12 | 116-2645-03 | 1 | Lift-Deck, Rear | 32 | 116-2695 | 1 | Spacer |
| 13 | 116-5584 | 1 | Pin-HOC | 33 | 109-8007 | 4 | Link-Adjuster, Deck Lift |
| 14 | 109-9409 | 2 | Support-Bearing, Cross Shaft (Front) | 34 | 109-7840 | 4 | Adjuster-Lift, Deck |
| 15 | 109-9410 | 2 | Bearing-Cross Shaft, Front | 35 | 109-8353 | 4 | Trunnion |
| 16 | 109-9840 | 4 | Screw-Shoulder, HHF | 36 | 3218-5 | 4 | Nut-Jam |
| | | | | 37 | 140-4963-01 | 2 | Weight-Toe Board |
| | | | | 38 | 3256-22 | 4 | Washer-Flat |
| | | | | 39 | 321-10 | 4 | Screw-HH |
| | | | | 40 | 104-7201 | 4 | Nut-HF, NI |

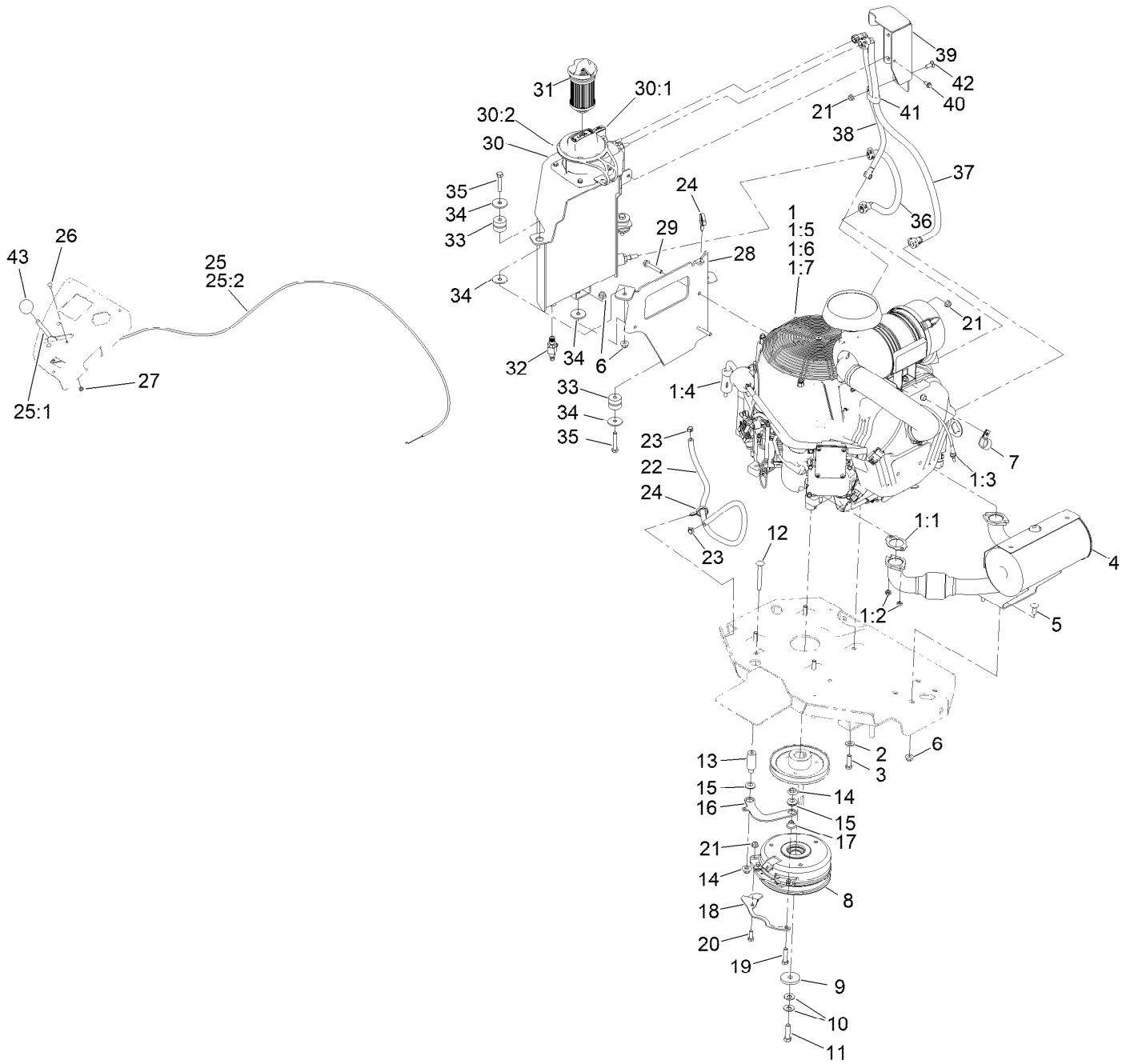
Height-of-Cut Assembly No. 109-7438



Height-of-Cut Assembly No. 109-7438 (continued)

| <i>Ref.</i> | <i>Part Number</i> | <i>Qty.</i> | <i>Description</i> | <i>Ref.</i> | <i>Part Number</i> | <i>Qty.</i> | <i>Description</i> |
|-------------|--------------------|-------------|---------------------|-------------|--------------------|-------------|---------------------|
| 1 | 62-1330 | 1 | Bolt-Shoulder | 6 | 116-0118 | 1 | Pawl-Transport, HOC |
| 2 | 109-7130 | 1 | Grommet | 7 | 109-7335 | 1 | HOC Plate ASM |
| 3 | 104-8301 | 1 | Nut-HF, NI | 7:2 | 126-4398 | 1 | Decal-HOC |
| 4 | 109-7124 | 1 | Spring-Extension | 8 | 109-8250 | 1 | Grip-Lever |
| 5 | 109-7128 | 1 | Rod-Lock, Transport | | | | |

Engine, Clutch and Muffler Assembly



Engine, Clutch and Muffler Assembly (continued)

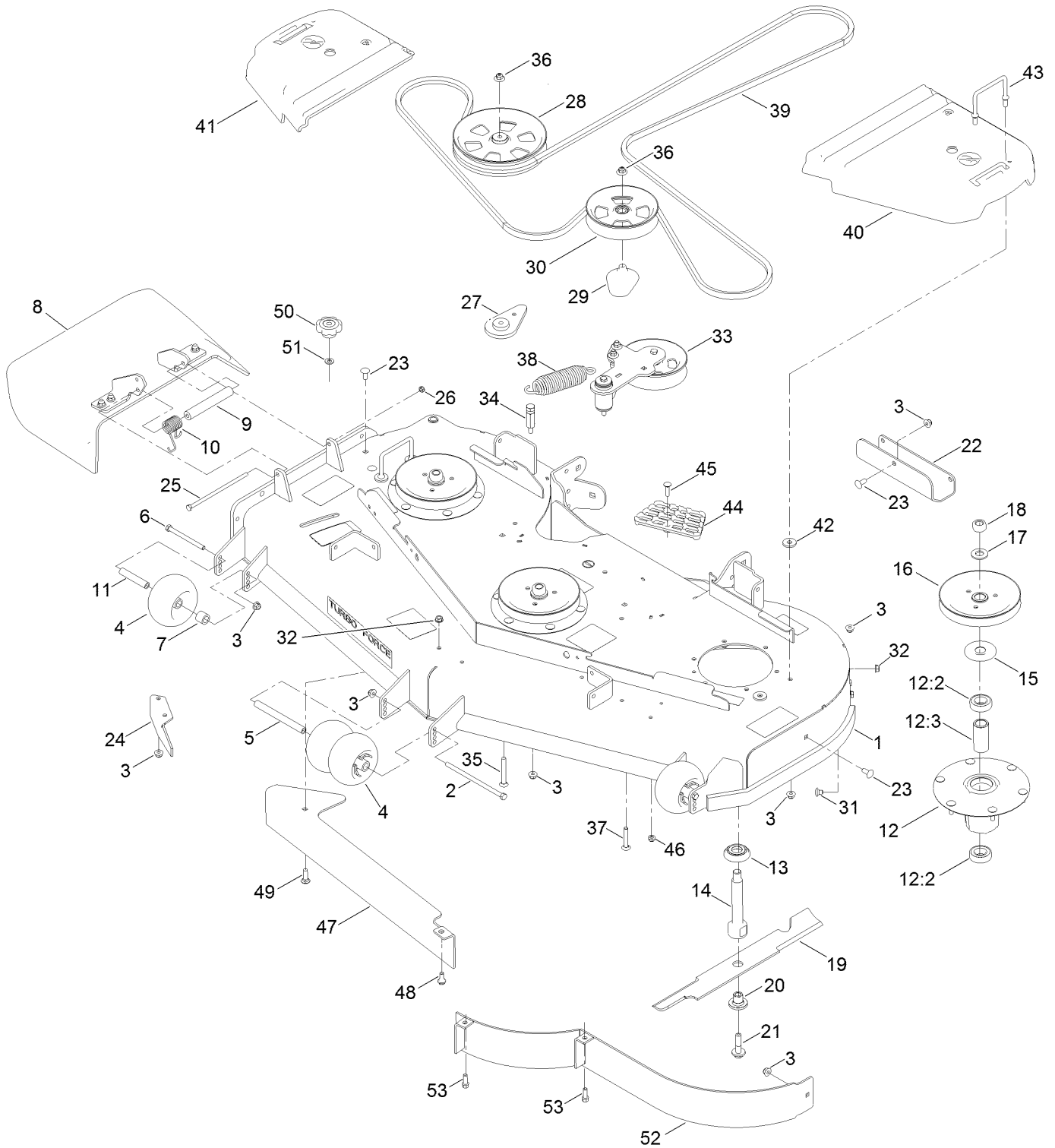
| <i>Ref.</i> | <i>Part Number</i> | <i>Qty.</i> | <i>Description</i> | <i>Ref.</i> | <i>Part Number</i> | <i>Qty.</i> | <i>Description</i> |
|-------------|--------------------|-------------|---------------------|-------------|--------------------|-------------|----------------------|
| 1 | | 1 | Engine-Vanguard ■▲ | 21 | 104-8300 | 4 | Nut-HF, NI |
| 1:1 | 142-6842 | 2 | Gasket-Exhaust | 22 | 109-3491 | 1 | Hose-Fuel |
| 1:2 | 33014-00 | 4 | Nut-Hex | 23 | 2412-98 | 2 | Clamp-Hose |
| 1:3 | 142-6844 | 1 | Sensor-O2 | 24 | 105-1853 | 2 | Clamp-Hose |
| 1:4 | 142-7451 | 1 | Filter-Fuel | 25 | 110-5727 | 1 | Throttle Control ASM |
| 1:5 | 142-8433 | 1 | Filter, Outer Air ● | 25:1 | 112-2334 | 1 | Lever-Throttle |
| 1:6 | 142-8434 | 1 | Filter, Inner Air ● | 25:2 | 110-5728 | 1 | Cable-Throttle |
| 1:7 | 142-8435 | 1 | Plug, Spark ● | 26 | 1-807513 | 2 | Bolt-CARR |
| 2 | 98-5975 | 4 | Washer-Belleville | 27 | 3296-2 | 2 | Nut-Lock, NI |
| 3 | 323-7 | 4 | Screw-HH | 28 | 142-6608-03 | 1 | Mount-Tank, Oil |
| 4 | 142-5876 | 1 | Muffler | 29 | 142-6275 | 2 | Screw-HHF |
| 5 | 3231-22 | 4 | Screw-CARR | 30 | 142-6840 | 1 | Reservoir-Oil |
| 6 | 104-8301 | 7 | Nut-HF, NI | 30:1 | 142-7452 | 1 | Oil Dipstick ASM |
| 7 | 110-0824 | 1 | R-Clamp | 30:2 | 142-7453 | 1 | Oil Tank Cap ASM |
| 8 | 126-4185 | 1 | Clutch Kit | 31 | 142-6841 | 1 | Filter-Oil |
| 9 | 109-6919 | 1 | Washer-Plain | 32 | 103-6602 | 1 | Valve-Oil Drain |
| 10 | 1-603610 | 2 | Washer-Spring | 33 | 142-6009 | 3 | Isolator-Tank |
| 11 | 109-9761 | 1 | Screw-HH | 34 | 1-213069 | 6 | Washer |
| 12 | 3231-42 | 1 | Screw-CARR | 35 | 323-10 | 3 | Screw-HH |
| 13 | 116-3319 | 1 | Spacer | 36 | 142-7420 | 1 | Hose-Supply |
| 14 | 109-6658 | 2 | Nut-Flange, NI | 37 | 142-7421 | 1 | Hose-Scavenge |
| 15 | 93-5108 | 2 | Grommet-Rubber | 38 | 142-6393 | 1 | Hose-Vent |
| 16 | 116-3317-01 | 1 | Link-Anchor, Clutch | 39 | 142-6731-03 | 1 | Guard-Hose |
| 17 | 116-3318 | 1 | Spacer | 40 | 32144-10 | 3 | Screw-HWH |
| 18 | 116-3331-01 | 1 | Belt-Guide | 41 | 120-1959 | 1 | Clamp |
| 19 | 323-8 | 1 | Screw-HH | 42 | 3230-23 | 1 | Bolt-CARR |
| 20 | 322-4 | 1 | Screw-HH | 43 | 1-603175 | 1 | Knob-Ball |

● Not illustrated

▲ Obtain parts from www.briggsandstratton.com

■ Not serviced separately

Deck Assembly

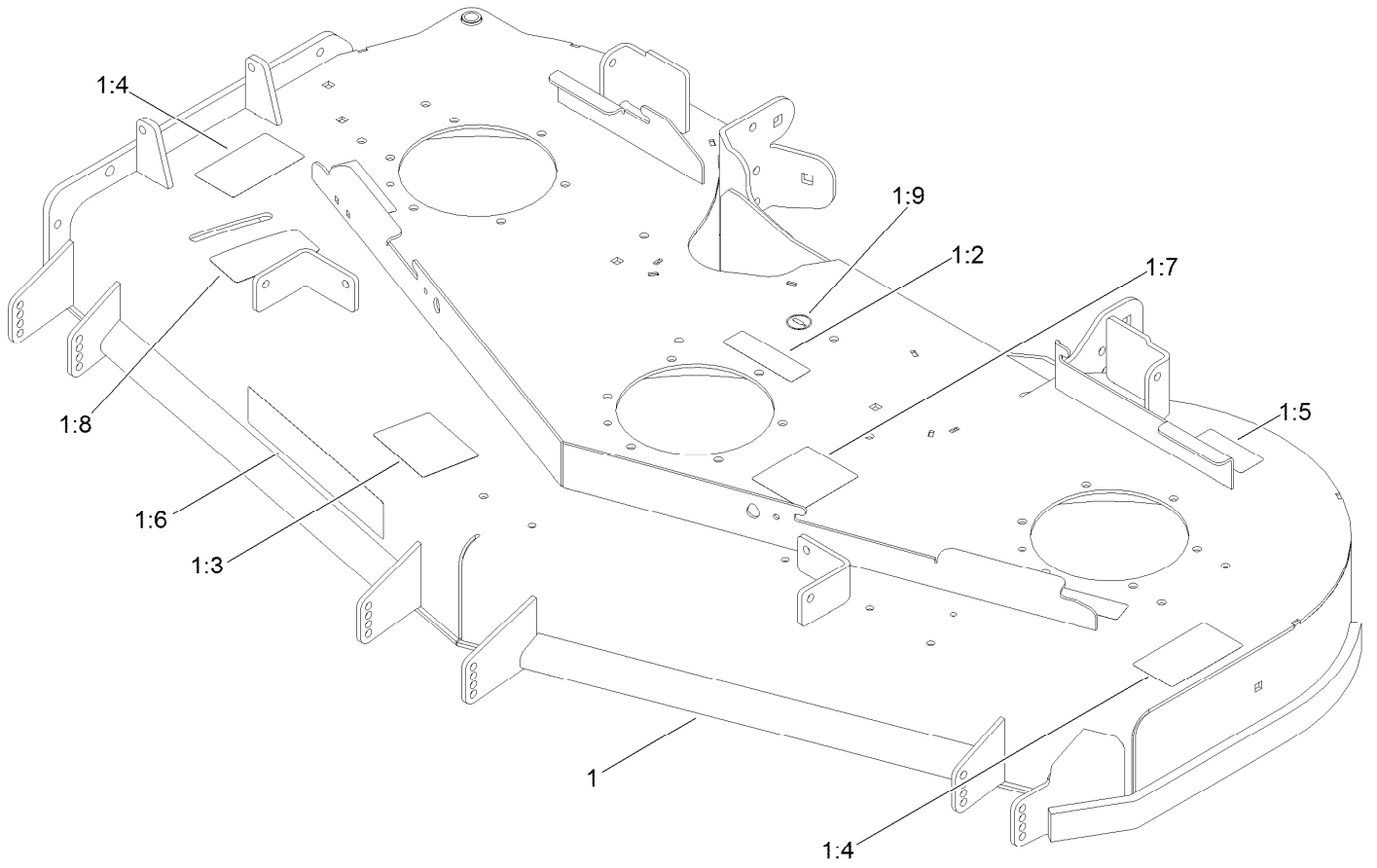


Deck Assembly (continued)

| <i>Ref.</i> | <i>Part Number</i> | <i>Qty.</i> | <i>Description</i> | <i>Ref.</i> | <i>Part Number</i> | <i>Qty.</i> | <i>Description</i> |
|-------------|--------------------|-------------|----------------------|-------------|--------------------|-------------|---------------------|
| 1 | 140-1169 | 1 | Deck Decal ASM | 27 | 109-9416 | 1 | Spacer-Idler |
| 2 | 108-5388 | 1 | Screw-HH | 28 | 132-4734 | 1 | Pulley-Idler,Flat |
| 3 | 104-8301 | 32 | Nut-HF, NI | 29 | 109-2872 | 1 | Spacer-Pulley |
| 4 | 1-603299 | 4 | Roller-Scalp, Anti | 30 | 136-5404 | 1 | Pulley-Idler, Flat |
| 5 | 98-5967 | 1 | Spacer-Wheel | 31 | 108-5387 | 3 | Screw-CARR |
| 6 | 323-23 | 2 | Screw-HH | 32 | 3290-357 | 6 | Nut-HSF |
| 7 | 98-7913 | 2 | Tube-Spacer | 33 | | 1 | Idler Arm ASM ● |
| 8 | 108-2792 | 1 | Rubber Deflector ASM | 34 | 114-5867 | 1 | Anchor-Spring, Tall |
| 9 | 105-4622 | 1 | Spacer | 35 | 3231-42 | 1 | Screw-CARR |
| 10 | 108-4052 | 1 | Spring-Torsion | 36 | 109-6658 | 2 | Nut-Flange, NI |
| 11 | 98-7912 | 2 | Tube-Spanner | 37 | 3231-40 | 1 | Bolt-CARR |
| 12 | 137-9780 | 3 | Spindle ASM | 38 | 116-6317 | 1 | Spring-Extension |
| 12:2 | 116-0720 | 2 | Bearing-Ball | 39 | 132-5982 | 1 | Belt-V |
| 12:3 | 138-6042 | 1 | Spacer-Bearing | 40 | 109-6938 | 1 | Cover-Belt, LH |
| 13 | 137-9784 | 3 | Guard-Bottom | 41 | 116-0094 | 1 | Cover-Belt, RH |
| 14 | 138-6045 | 3 | Shaft-Spindle | 42 | 1-373034 | 4 | Washer |
| 15 | 103-1330 | 3 | Guard-Bearing, Top | 43 | 109-6982 | 2 | Wireform-Cover |
| 16 | 138-6059 | 3 | Sheave-Drive, Blade | 44 | 126-4781-03 | 1 | Step-Deck |
| 17 | 103-2802 | 3 | Washer | 45 | 3230-3 | 1 | Screw-CARR |
| 18 | 116-7306 | 3 | Nut-Hex | 46 | 104-8300 | 1 | Nut-HF, NI |
| 19 | 140-1240 | 3 | Blade | 47 | 138-6051-01 | 1 | Plate-Baffle |
| 20 | 137-9787 | 3 | Bushing-Hex | 48 | 94-7582 | 1 | Bolt-Shoulder |
| 21 | 109-9220 | 3 | Screw-Sems | 49 | 3231-25 | 1 | Bolt-CARR |
| 22 | 121-8031-01 | 1 | Plate-Skid | 50 | 109-1092 | 1 | Knob |
| 23 | 3231-27 | 6 | Screw-CARR | 51 | 100-4852 | 1 | Washer-Hardened |
| 24 | 106-3216-01 | 1 | Baffle-Discharge | 52 | 114-5842-01 | 1 | Baffle |
| 25 | 322-50 | 1 | Screw-HH | 53 | 92-1624 | 2 | Screw-HWH Thd Form |
| 26 | 3296-47 | 1 | Nut-Lock,NI | | | | |

● Not serviced separately

Deck Decal Assembly No. 140-1169

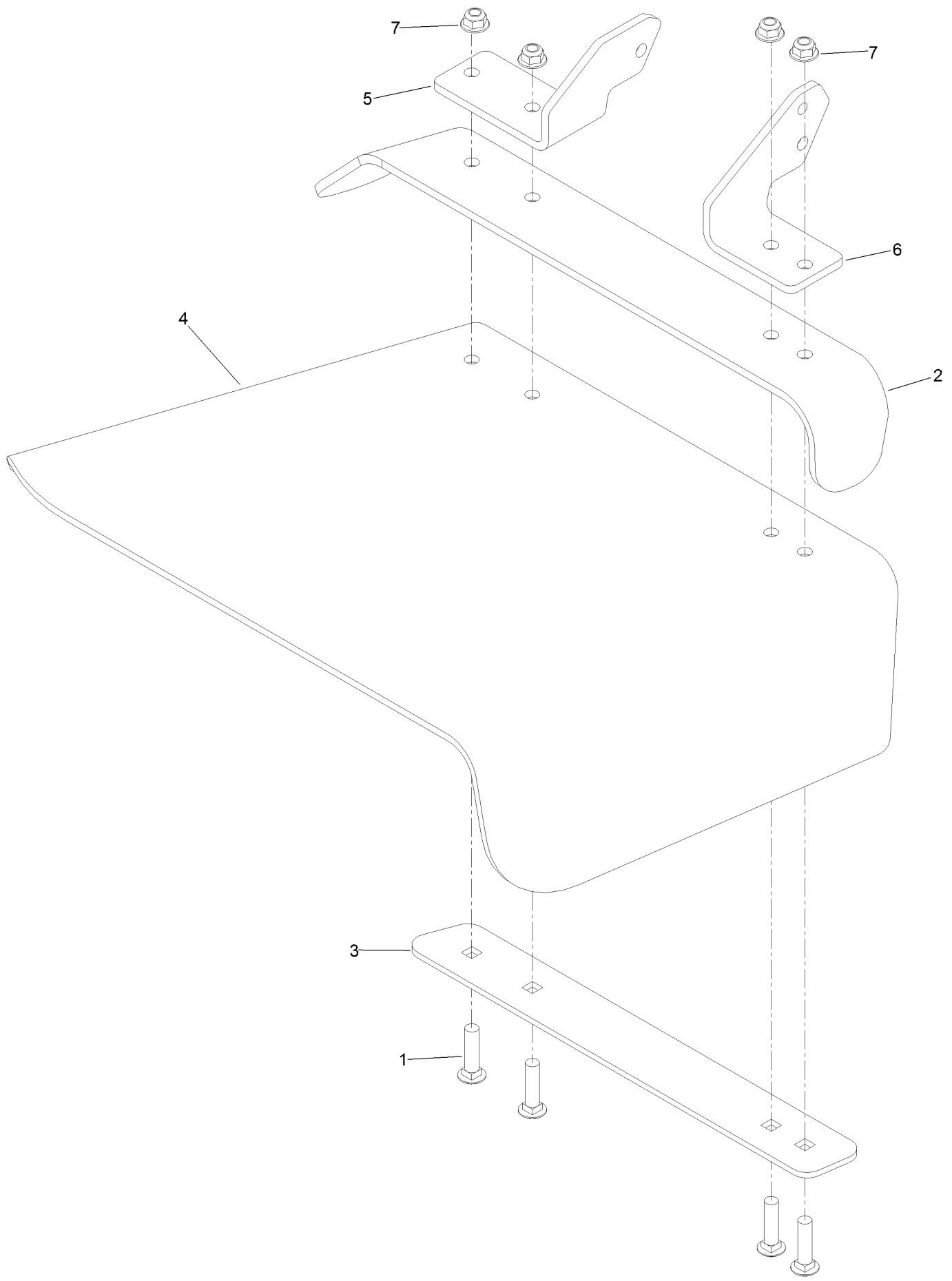


Deck Decal Assembly No. 140-1169 (continued)

| <i>Ref.</i> | <i>Part Number</i> | <i>Qty.</i> | <i>Description</i> | <i>Ref.</i> | <i>Part Number</i> | <i>Qty.</i> | <i>Description</i> |
|-------------|--------------------|-------------|----------------------|-------------|--------------------|-------------|--------------------------|
| 1 | | 1 | Deck ASM ● | 1:6 | 107-1619 | 1 | Decal |
| 1:2 | 112-9028 | 3 | Decal-Cover, Missing | 1:7 | 136-5508 | 1 | Decal-Routing, Deck Belt |
| 1:3 | 127-0326 | 1 | Decal-Scalp, Anti | 1:8 | 131-1180 | 1 | Decal-Adjustment, Baffle |
| 1:4 | 117-3848 | 2 | Decal-Danger | 1:9 | 58-6520 | 1 | Decal-Grease |
| 1:5 | 116-8283 | 1 | Decal-Torque, Bolt | | | | |

● Not serviced separately

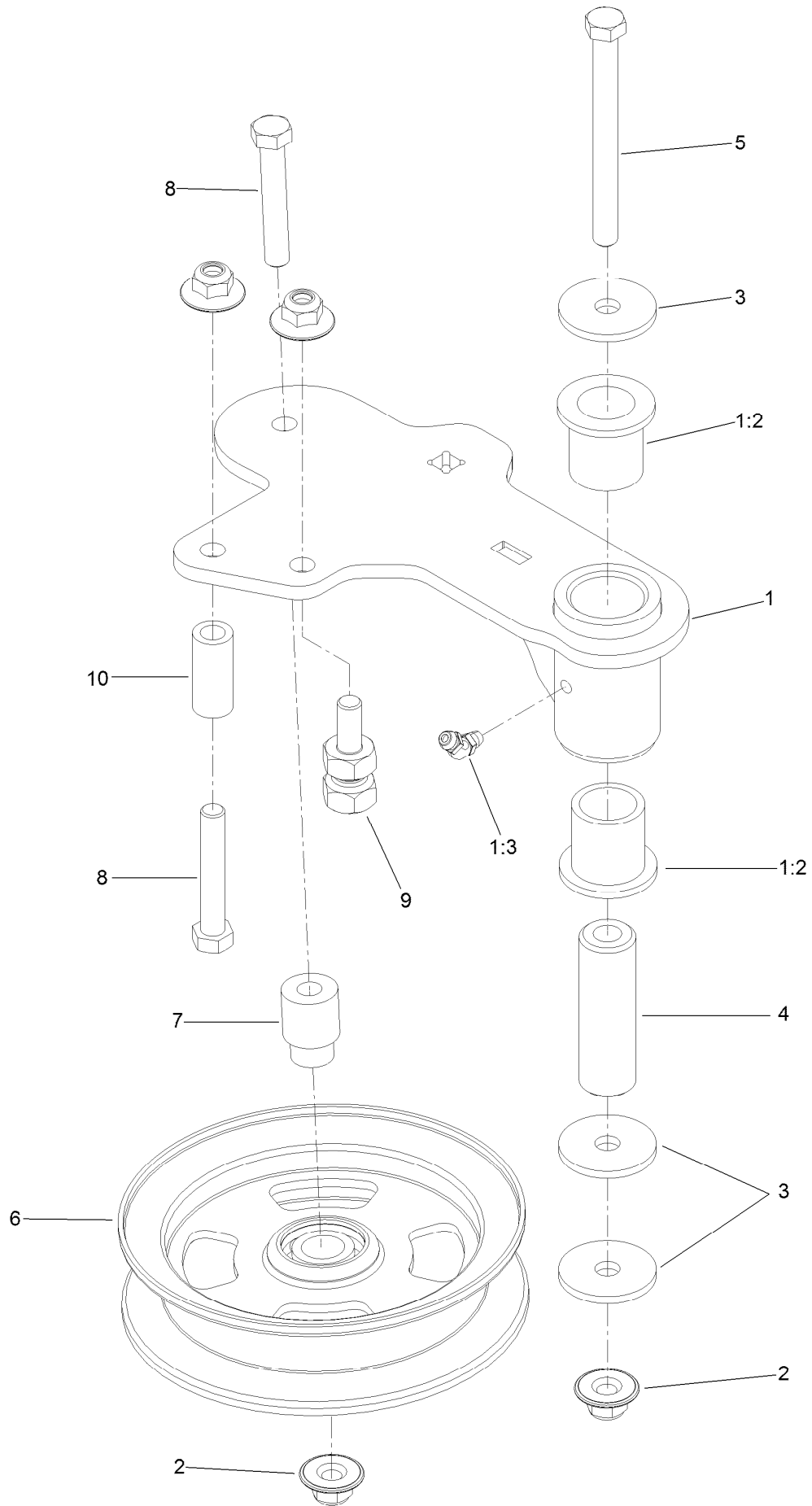
Rubber Deflector Assembly No. 108-2792



Rubber Deflector Assembly No. 108-2792 (continued)

| <i>Ref.</i> | <i>Part Number</i> | <i>Qty.</i> | <i>Description</i> | <i>Ref.</i> | <i>Part Number</i> | <i>Qty.</i> | <i>Description</i> |
|-------------|--------------------|-------------|--------------------|-------------|--------------------|-------------|--------------------|
| 1 | 3231-4 | 4 | Screw-CARR | 5 | 108-4059-01 | 1 | Plate-Hinge, Rear |
| 2 | 106-3246-01 | 1 | Deflector | 6 | 106-3253-01 | 1 | Plate-Hinge, Front |
| 3 | 106-3248-03 | 1 | Strap-Discharge | 7 | 104-8301 | 4 | Nut-HF, NI |
| 4 | 108-5029 | 1 | Deflector-Rubber | | | | |

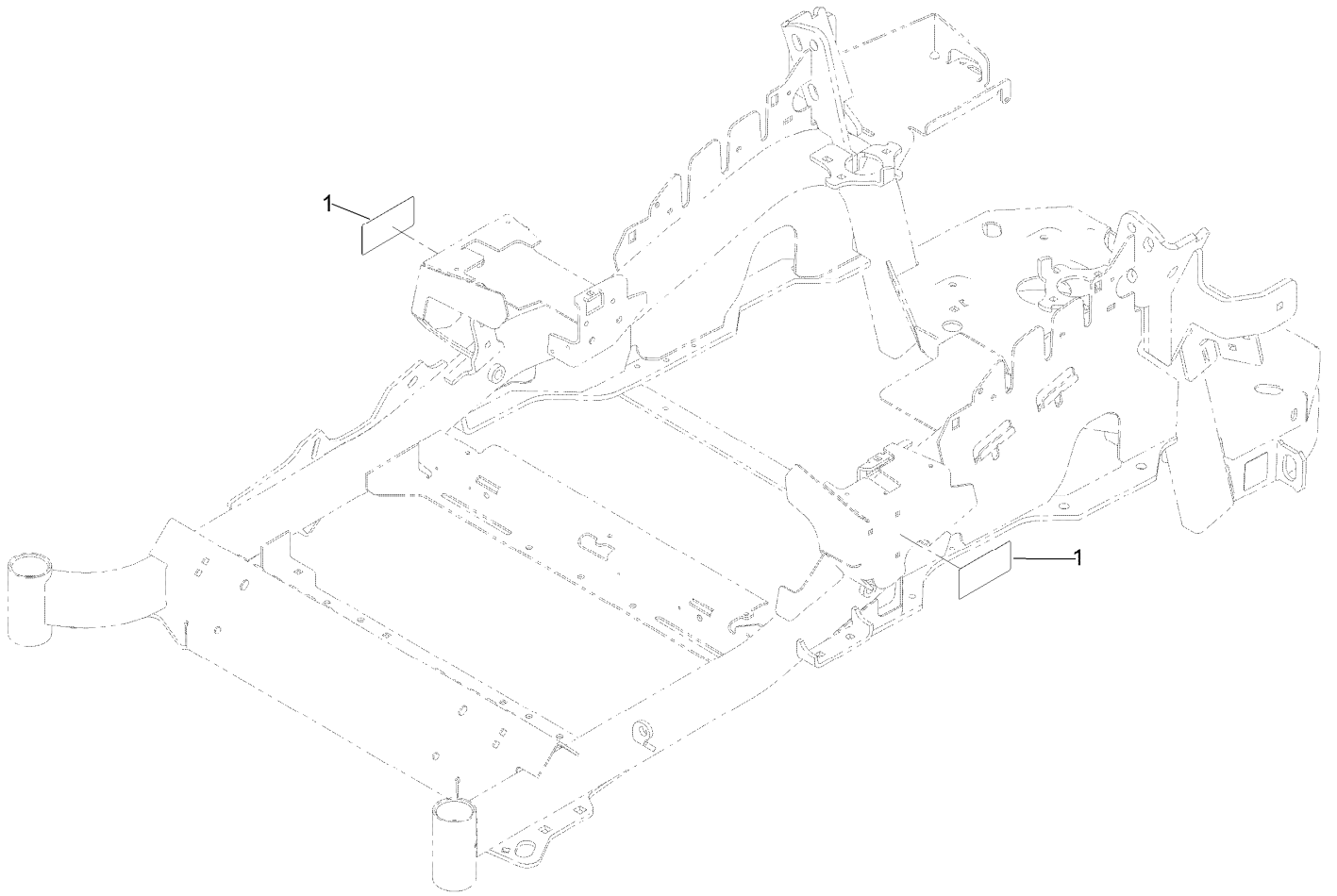
Idler Arm Assembly



Idler Arm Assembly (continued)

| <i>Ref.</i> | <i>Part Number</i> | <i>Qty.</i> | <i>Description</i> | <i>Ref.</i> | <i>Part Number</i> | <i>Qty.</i> | <i>Description</i> |
|-------------|--------------------|-------------|--------------------|-------------|--------------------|-------------|----------------------|
| 1 | 114-5870 | 1 | Idler Arm ASM | 5 | 98-5961 | 1 | Screw-HH |
| 1:2 | 1-303514 | 2 | Bearing-Flanged | 6 | 132-9425 | 1 | Pulley-Idler, Flat |
| 1:3 | 1481 | 1 | Fitting-Grease | 7 | 112-4212 | 1 | Mount-Pulley |
| 2 | 109-6658 | 4 | Nut-Flange, NI | 8 | 323-11 | 2 | Screw-HH |
| 3 | 1-213069 | 3 | Washer | 9 | 132-4729 | 1 | Anchor-Spring, Short |
| 4 | 114-5848 | 1 | Spacer-Plain | 10 | 104-0151 | 1 | Spacer |

Frame Decal Assembly



Frame Decal Assembly (continued)

| <i>Ref.</i> | <i>Part Number</i> | <i>Qty.</i> | <i>Description</i> |
|-------------|--------------------|-------------|--------------------|
| 1 | 120-5895 | 2 | Decal |

Attachments and Accessories

For 72980 Z Master Professional 6000 Series Riding Mower with 60in TURBO FORCE Side Discharge Mower

| Product Name | Model/Part |
|--|------------|
| Turbo Baffle Kit | 107-1634 |
| Anti-Scalp Kit (Trim Side)..... | 108-4140 |
| Hitch Kit | 109-9487 |
| Hypr-Oil 500 (quart)..... | 114-4713 |
| Hypr-Oil 500 (gallon)..... | 114-4714 |
| Hypr-Oil 500-5 (5 gallon)..... | 114-4715 |
| Bimini Folding Shade Assembly | 115-4510 |
| Roller Striper Kit..... | 115-7470 |
| Light Kit..... | 116-1154 |
| Seat Cover (W/arm rest)..... | 117-0095 |
| Operator Controlled Discharge Chute Kit..... | 117-3600 |
| Seat Tilt Frame and ISO Mount Kit..... | 121-7596 |
| Jack Mount Kit | 127-6665 |
| Jack Kit | 127-6666 |
| Power Deck Lift Kit | 132-5986 |
| Worklight Kit | 135-7320 |
| Bucket Mount Kit..... | 137-9216 |
| Trimmer Mount | 137-9769 |
| Recycler Kit | 139-6655 |
| 24x12n12 - Tweel Turf | 139-7891 |
| Blade-20.5 High Flow | 140-1240 |
| Blade-20.50 Atomic | 140-1241 |
| Blade-20.50 Medium Flow | 140-4853 |
| Blade-20.50, Low Flow | 140-4854 |
| Blade-20.50 Recycler | 140-4855 |
| 6 Pack-Blade, 20.5 High Flow..... | 140-4877 |
| 6 Pack-Blade, 20.5 Med Flow | 140-4878 |
| 6 Pack-Blade, 20.5 Low Flow | 140-4879 |
| 6 Pack-Blade, 20.5 Atomic..... | 140-4880 |
| 6 Pack-Blade, 20.5 Recycler..... | 140-4881 |
| Weight Kit, Under Toe Board..... | 140-4958 |
| Toro Rider Over Seat Bag..... | 490-7317 |
| Toro Deluxe Rider Cover..... | 490-7319 |
| Toro Rider Arm Rest Bag | 490-7320 |
| Spark Arrestor Screen | 75-6880 |
| Blower and Drive Kit | 78553 |
| E-Z Vac Triple Bagging System | 78563 |
| E-Z Vac DFS Collection System | 78567 |
| Filter Minder Gauge | 99-4664 |
| Trash Holder Kit..... | TC26 |

Notes:

Notes:

Notes:



Count on it.