



Count on it.

Parts Catalog

**Z Master® Professional 6000
Series Riding Mower**

**with 72in TURBO FORCE® Side Discharge
Mower**

Model No. 72961—Serial No. 412413841 and Up



Ordering Replacement Parts

To order replacement parts, please supply the part number, the quantity, and the description of each part desired.

Understanding Reference Numbers

Each identified part in an illustration has a reference number. The reference number for a part also appears in the parts list, along with other information about the part.

This catalog uses two special reference number formats, one to indicate parts in a service assembly and another to indicate the quantity of a given part in an illustration.

Service Assembly Reference Numbers

Parts in service assemblies have reference numbers in the form a:b. The a represents the reference number of the entire service assembly and the b represents a sequential number unique to each part within the service assembly.

For example, a wheel assembly might be identified by reference number 6, the tire by 6:1, the valve by 6:2, and the wheel by 6:3. When you order the assembly identified by reference number 6, you receive all parts identified by reference numbers 6:1, 6:2, and 6:3. However, you may also order any part individually. Reference numbers of this type appear in illustration and in parts lists.

Reference Numbers Indicating Quantity

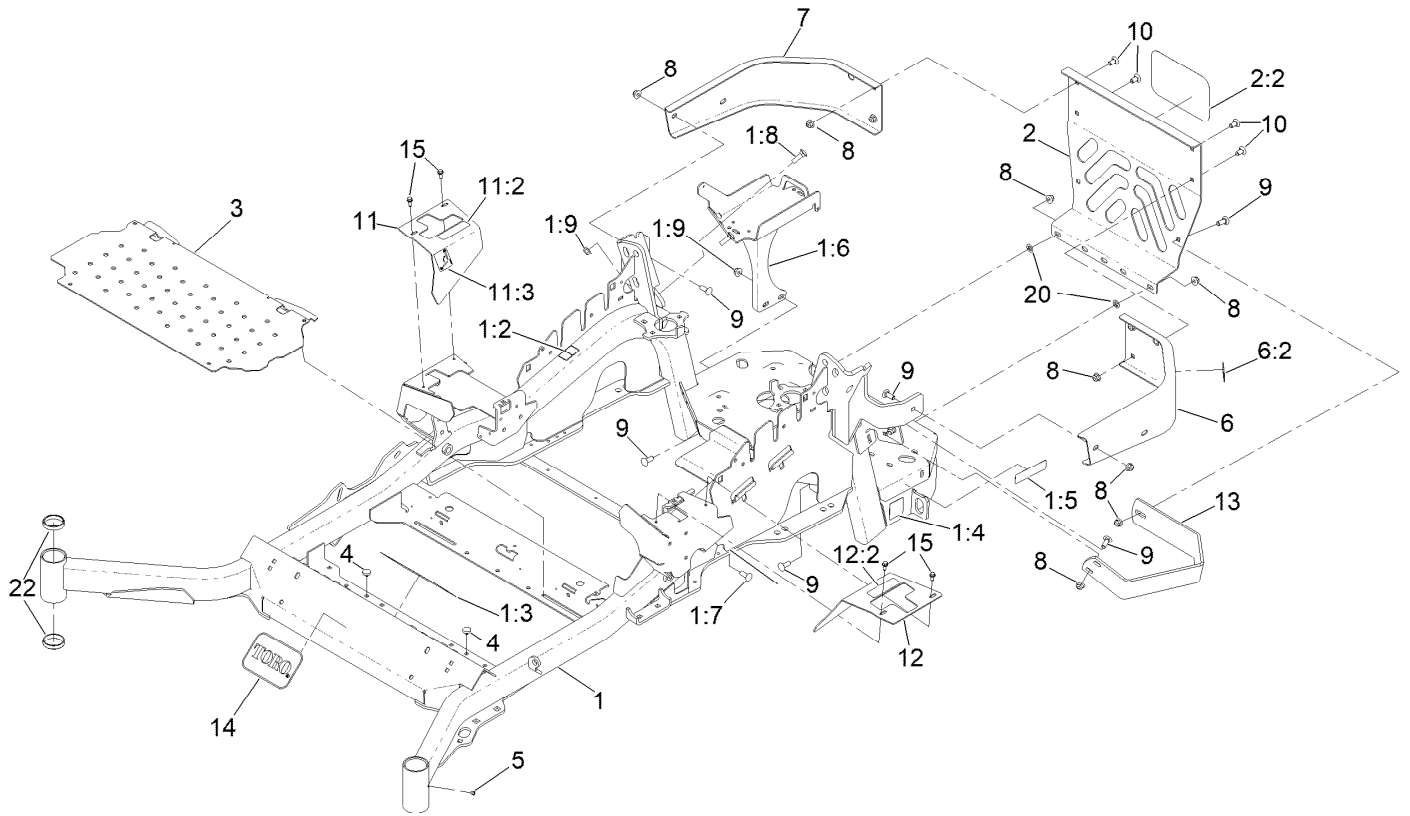
In an illustration, if a reference number indicates more than one part, the reference number has the form nX y. The n represents the quantity of the part, the X is the multiplication symbol, and the y represents the reference number.

For example, in an illustration, the reference number 2X 37 means that two of the parts identified by reference number 37 are indicated.

Contents

Frame Assembly	4
Roll-Over Protection System Assembly No. 116-0231	6
Caster Fork and Wheel Assembly	8
Hydraulic Drive Assembly	10
Pump Idler Assembly No. 116-1255	12
LH Hydro Assembly No. 135-7907	14
RH Hydro Assembly No. 135-7908	16
Rear Wheel Assembly	18
Park Brake Assembly	20
Fuel System Assembly	22
Fuel Tank Assembly No. 135-0643	24
Seat Mounting Assembly	26
Seat Assembly No. 140-8003	28
Motion Control Assembly	30
Console Assembly	32
RH Console Assembly No. 115-7400	34
LH Console Assembly No. 115-7401	36
Electrical Assembly	38
Deck Lift Assembly	40
Height-of-Cut Assembly No. 109-7438	42
Engine, Clutch and Muffler Assembly	44
Deck Assembly	46
Deck Decal Assembly No. 140-1170	48
Rubber Deflector Assembly No. 108-2792	50
Idler Arm Assembly	52
Frame Decal Assembly	54
Attachments and Accessories	56

Frame Assembly



Frame Assembly (continued)

<i>Ref.</i>	<i>Part Number</i>	<i>Qty.</i>	<i>Description</i>	<i>Ref.</i>	<i>Part Number</i>	<i>Qty.</i>	<i>Description</i>
1	142-7266	1	Mainframe Service ASM - 72	6:2	106-5517	1	Decal-Warning
1:2	106-5517	2	Decal-Warning	7	116-0057-03	1	Bumper-RH
1:3	132-0871	1	Decal-Danger	8	104-8301	15	Nut-HF, NI
1:4	106-2655	2	Decal-Hazard, Pinched Finger	9	3231-22	9	Screw-CARR
1:5	133-8062	1	Decal-Arrestor, Spark	10	3231-21	4	Screw-CARR
1:6	142-6404-01	1	Battery Mount ASM [red]	11	116-5899	1	RH Motion Control Cover ASM
1:7	3231-22	2	Screw-CARR	11:2	99-8936	1	Decal-Control, Motion
1:8	3231-25	2	Bolt-CARR	11:3	116-5988	1	Decal-Park Brake, CE
1:9	104-8301	4	Nut-HF, NI	12	116-0580	1	LH Motion Control Cover ASM
2	115-7410	1	Rear Guard ASM	12:2	99-8936	1	Decal-Control, Motion
2:2	67-7320	1	Decal	13	126-2067-03	1	Guard-Muffler
3	116-8898-01	1	Floorpan	14	68-3640	1	Decal
4	1-513658	2	Bumper	15	32144-10	4	Screw-HWH
5	1-811010	2	Plug	20	107-3154	2	Nut-Push
6	116-0180	1	LH Bumper ASM	22	1-543508	4	Cup-Bearing

Roll-Over Protection System Assembly No. 116-0231



Roll-Over Protection System Assembly No. 116-0231 (continued)

<i>Ref.</i>	<i>Part Number</i>	<i>Qty.</i>	<i>Description</i>	<i>Ref.</i>	<i>Part Number</i>	<i>Qty.</i>	<i>Description</i>
1		1	Leg-ROPS, LH ●	8	3233-10	2	Screw-CARR
2		1	Leg-ROPS, RH ●	9	325-35	4	Screw-HH
3	109-6653	2	Spacer	10	109-9505	4	Washer-Spring
4		1	Upper ROPS ASM ●	11	109-9233	1	Bumper-Push-In, Rubber
4:2	107-3069	1	Decal-Warning	12	117-0346	1	Decal-Caution, Fuel Vent
5	109-5337	2	Bumper-ROPS	14	116-0960	2	Spacer
6	116-0104	2	Pin-Spring	15	325-13	2	Screw-HH
7	99-5107	8	Nut-Lock	16	125-8067	1	Plug-Plastic

● Not serviced separately

Caster Fork and Wheel Assembly



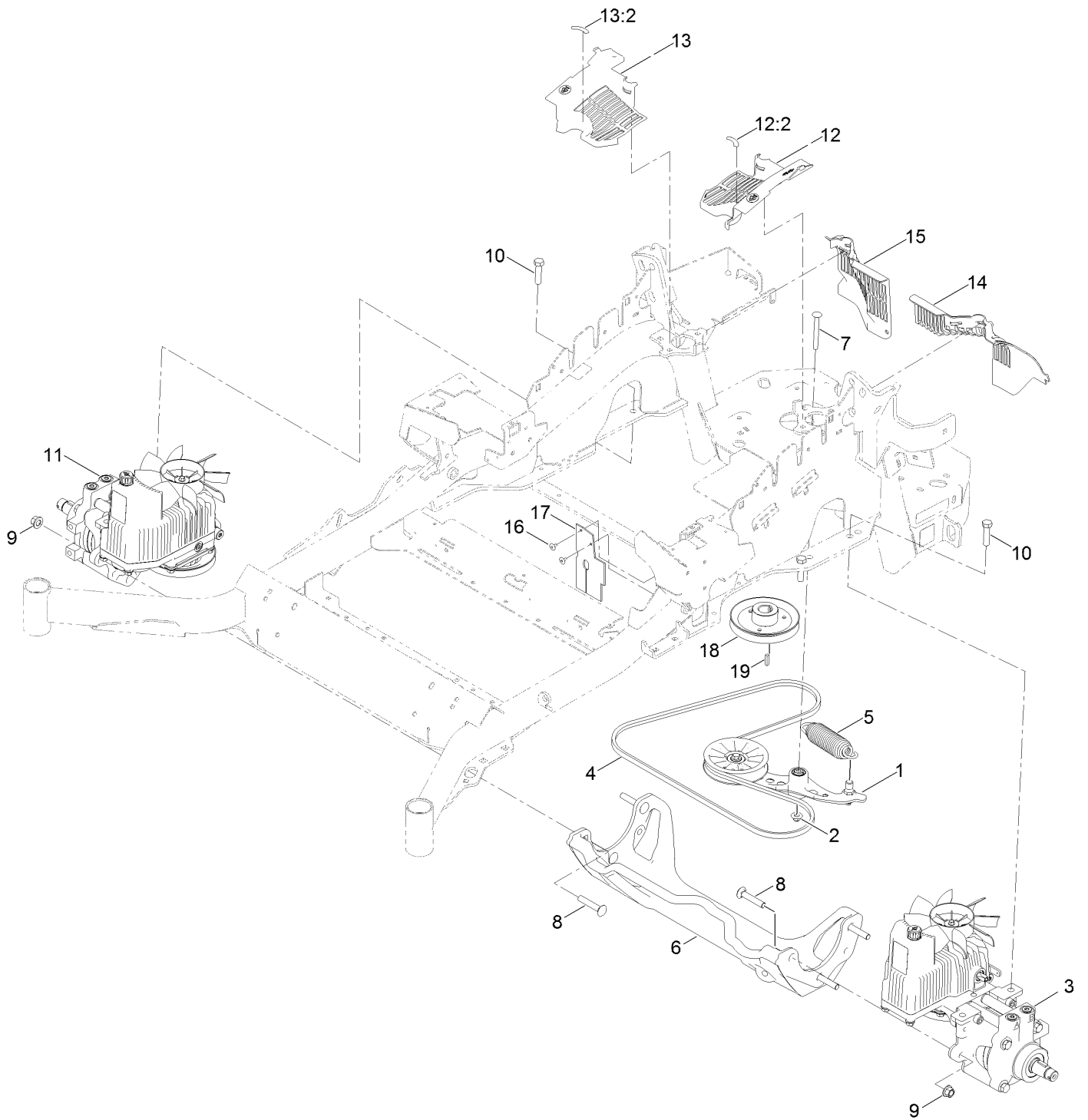
Caster Fork and Wheel Assembly (continued)

<i>Ref.</i>	<i>Part Number</i>	<i>Qty.</i>	<i>Description</i>	<i>Ref.</i>	<i>Part Number</i>	<i>Qty.</i>	<i>Description</i>
1	1-543509	2	Bearing-Roller, Tapered	5:2:3	103-3051	1	Spacer-Nut ■
2	116-5647	1	Seal-Grease	5:2:4	126-5361	1	Axle Caster ASM
3	1-633508	3	Washer-Bellville	5:2:5		1	Wheel And Tire ASM ●
4	116-6707-01	1	Caster	5:2:5:1	1-633584	2	Bearing-Cup
5	127-9528	1	Wheel And Axle ASM	5:3	325-39	1	Screw-HH
5:1	103-2768	2	Guard-Seal	5:4	3296-23	1	Nut-Lock, NI
5:2		1	Wheel And Bearing ASM ●	6	103-4882	1	Cap-Grease
5:2:1	1-633585	2	Bearing-Cone, Taper	7	3296-51	1	Nut-Lock, NI
5:2:2	103-0063	2	Seal-Caster				

● Not serviced separately

■ Use Pro-Lock, Nut Type (P/N 1-840022, .5ml tube) on threads.

Hydraulic Drive Assembly



Hydraulic Drive Assembly (continued)

<i>Ref.</i>	<i>Part Number</i>	<i>Qty.</i>	<i>Description</i>	<i>Ref.</i>	<i>Part Number</i>	<i>Qty.</i>	<i>Description</i>
1	116-1255	1	Pump Idler ASM	13	116-0171	1	RH Hydro Guard ASM
2	109-6658	1	Nut-Flange, NI	13:2	116-8726	1	Decal-Oil, Hydro
3	135-7907	1	Hydro-LH	14	109-9709	1	Guard-Hydro, Rear Trim (LH)
4	126-9835	1	Belt-V	15	109-9058	1	Guard-Hydro, Rear (RH)
5	116-6317	1	Spring-Extension	16	1-803035	2	Rivet-Pop
6	116-7558	1	Cradle-Hydro	17	116-2362	1	Deflector-Air Flow
7	116-1502	1	Bolt-Shoulder, Carriage	18	109-9905	1	Sheave
8	126-0095	6	Screw-CARR	19	1-807259	1	Key
9	99-5107	6	Nut-Lock	99	114-4713	1	Hypr-Oil 500 (Quart) ●
10	325-8	4	Screw-HH	99	114-4714	1	Hypr-Oil 500 (Gallon) ●
11	135-7908	1	Hydro-RH	99	114-4715	1	Hypr-Oil 500-5 (5 Gallon) ●
12	116-0170	1	LH Hydro Guard ASM	99	117-0390	1	Filter-Hydro ●
12:2	116-8726	1	Decal-Oil, Hydro				

● Not illustrated

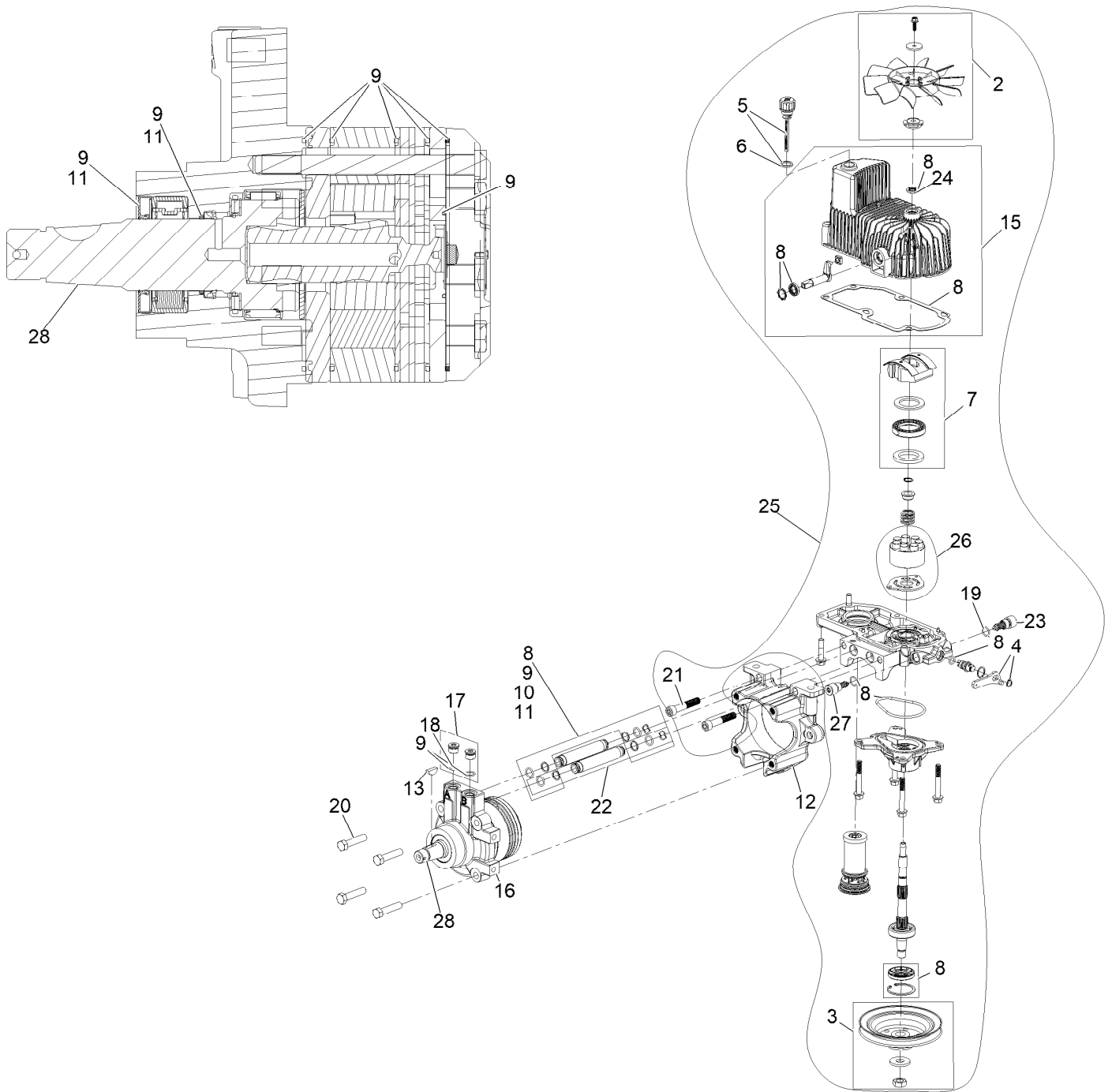
Pump Idler Assembly No. 116-1255



Pump Idler Assembly No. 116-1255 (continued)

<i>Ref.</i>	<i>Part Number</i>	<i>Qty.</i>	<i>Description</i>	<i>Ref.</i>	<i>Part Number</i>	<i>Qty.</i>	<i>Description</i>
2	43-0940	1	Spacer	8	323-8	1	Screw-HH
3	103-3504	2	Bearing-Spherical	9	32120-10	2	Ring-Snap
4	103-3505	1	Seal-Lip, Double	10	302-19	1	Fitting-Grease
5	103-3506	1	Seal-Lip, Single	11	109-8076	1	Pulley-Idler
6	109-6658	1	Nut-Flange, NI	12	132-4724	1	Pin-Anchor, Spring
7	106-7159	2	O-Ring				

LH Hydro Assembly No. 135-7907

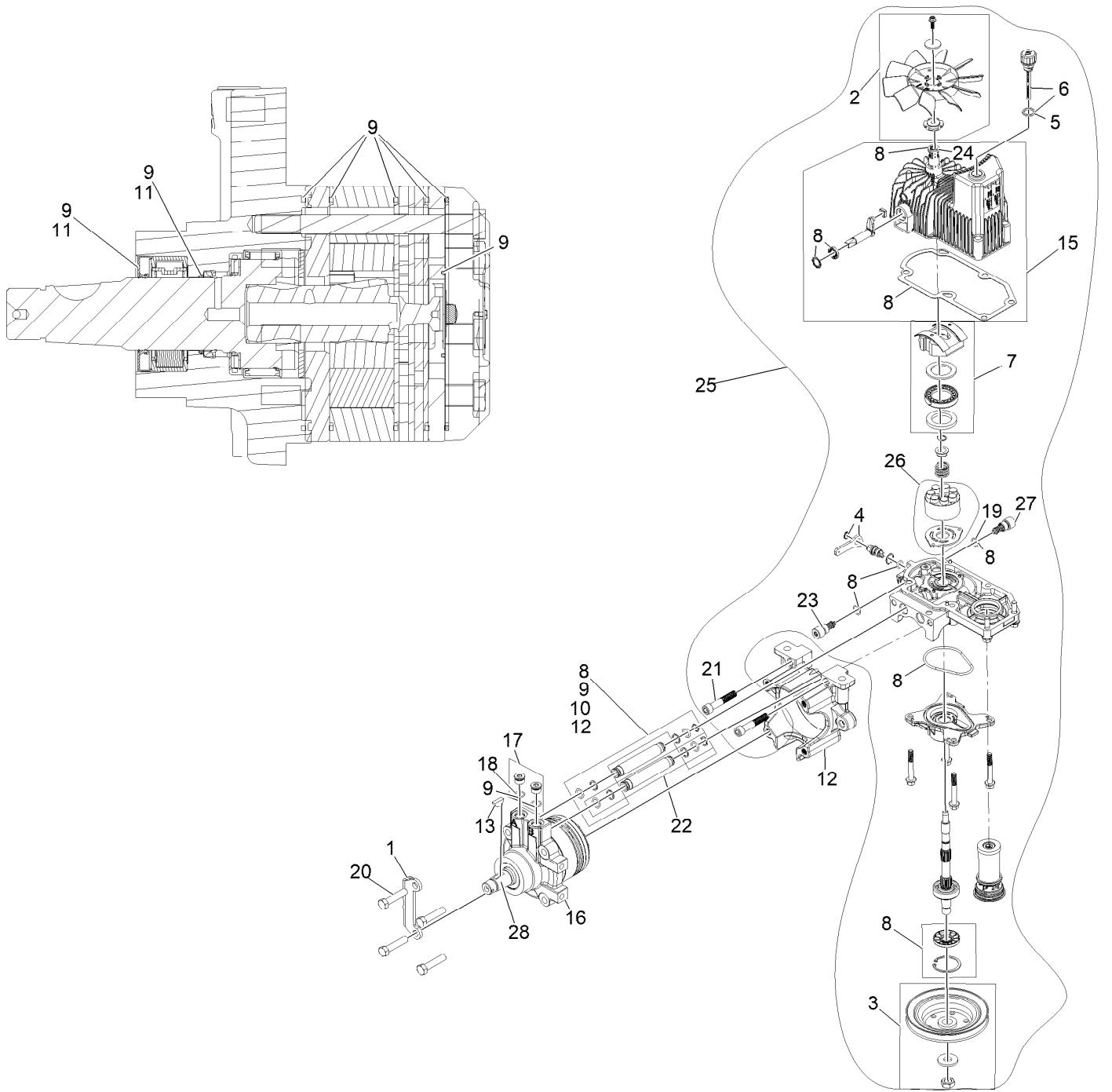


LH Hydro Assembly No. 135-7907 (continued)

<i>Ref.</i>	<i>Part Number</i>	<i>Qty.</i>	<i>Description</i>	<i>Ref.</i>	<i>Part Number</i>	<i>Qty.</i>	<i>Description</i>
2	142-3603	1	Kit, 7.8 In Fan	17	116-7901	1	Magnetic Plugs Service Kit
3	116-0234	1	Pulley Kit	18	76-1900	2	O-Ring
4	116-0235	1	Handle	19	116-8662	2	O-Ring-Valve, Check
5	116-0236	1	Dipstick	20	116-8974	4	Screw-HH 1/2-20 X 2 1/4
6	116-0237	1	Gasket	21	116-8975	2	Screw-HSH 1/2-20 X 2 3/4
7	116-1367	1	Swash Block Kit	22	116-9922	2	Hydraulic Tube Kit
8	142-3604	1	Kit, Pump Seal	23	126-7467	1	Shock Valve, 16Cc Hydro
9	116-1369	1	Motor Seal Kit	24	126-7711	1	Seal-Drive, Fan
10	116-1370	1	Tube Seal Kit	25	142-3607	1	Kit, Pump Section 16Cc LH
11	116-1371	1	Output Shaft Seal Kit	26	142-4501	1	Kit - 16Cc Port Plate, Rotate Grp
12	116-5469	1	Cup-Nose				
13	3257-42	1	Key-Woodruff 5/16 X 1	27	142-4458	1	Shock Valve Orificed 3300
15	142-4460	1	Kit, Housing-Hydro LH	28	146-3749	1	Output Shaft- TI Uht Motor
16	146-1948	1	HYD Motor, 280Cc LH Sealed	99	116-1373	1	Flow Test Kit ●

● Not illustrated

RH Hydro Assembly No. 135-7908

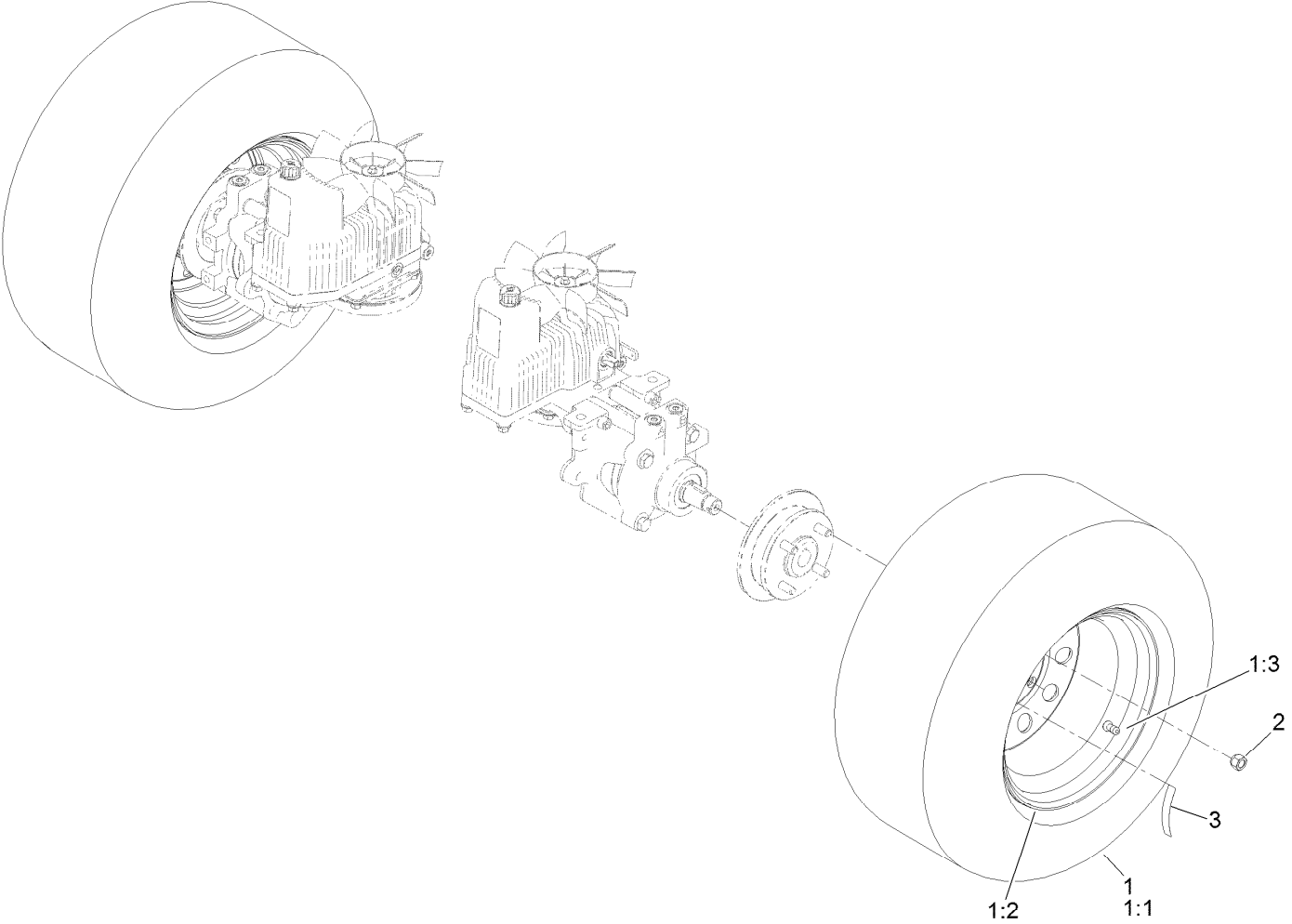


RH Hydro Assembly No. 135-7908 (continued)

<i>Ref.</i>	<i>Part Number</i>	<i>Qty.</i>	<i>Description</i>	<i>Ref.</i>	<i>Part Number</i>	<i>Qty.</i>	<i>Description</i>
1	135-7827	1	Plate, Horse Shoe Mount	17	116-7901	1	Magnetic Plugs Service Kit
2	142-3603	1	Kit, 7.8 In Fan	18	76-1900	2	O-Ring
3	116-0234	1	Pulley Kit	19	116-8662	2	O-Ring-Valve, Check
4	116-0235	1	Handle	20	116-8974	4	Screw-HH 1/2-20 X 2 1/4
5	116-0237	1	Gasket	21	116-8975	2	Screw-HSH 1/2-20 X 2 3/4
6	116-0236	1	Dipstick	22	116-9922	2	Hydraulic Tube Kit
7	116-1367	1	Swash Block Kit	23	126-7467	1	Shock Valve, 16Cc Hydro
8	142-3604	1	Kit, Pump Seal	24	126-7711	1	Seal-Drive, Fan
9	116-1369	1	Motor Seal Kit	25	142-3606	1	Kit, Pump Section 16Cc RH
10	116-1370	1	Tube Seal Kit	26	142-4501	1	Kit - 16Cc Port Plate, Rotate Grp
11	116-1371	1	Output Shaft Seal Kit				
12	116-5469	1	Cup-Nose	27	142-4458	1	Shock Valve Orificed 3300
13	3257-42	1	Key-Woodruff 5/16 X 1	28	146-3749	1	Output Shaft- TI Uht Motor
15	142-4461	1	Kit, Housing-Hydro RH	99	116-1373	1	Flow Test Kit ●
16	146-1947	1	HYD Motor, 280Cc RH Sealed	99	116-4245	1	Puller-Pulley

● Not illustrated

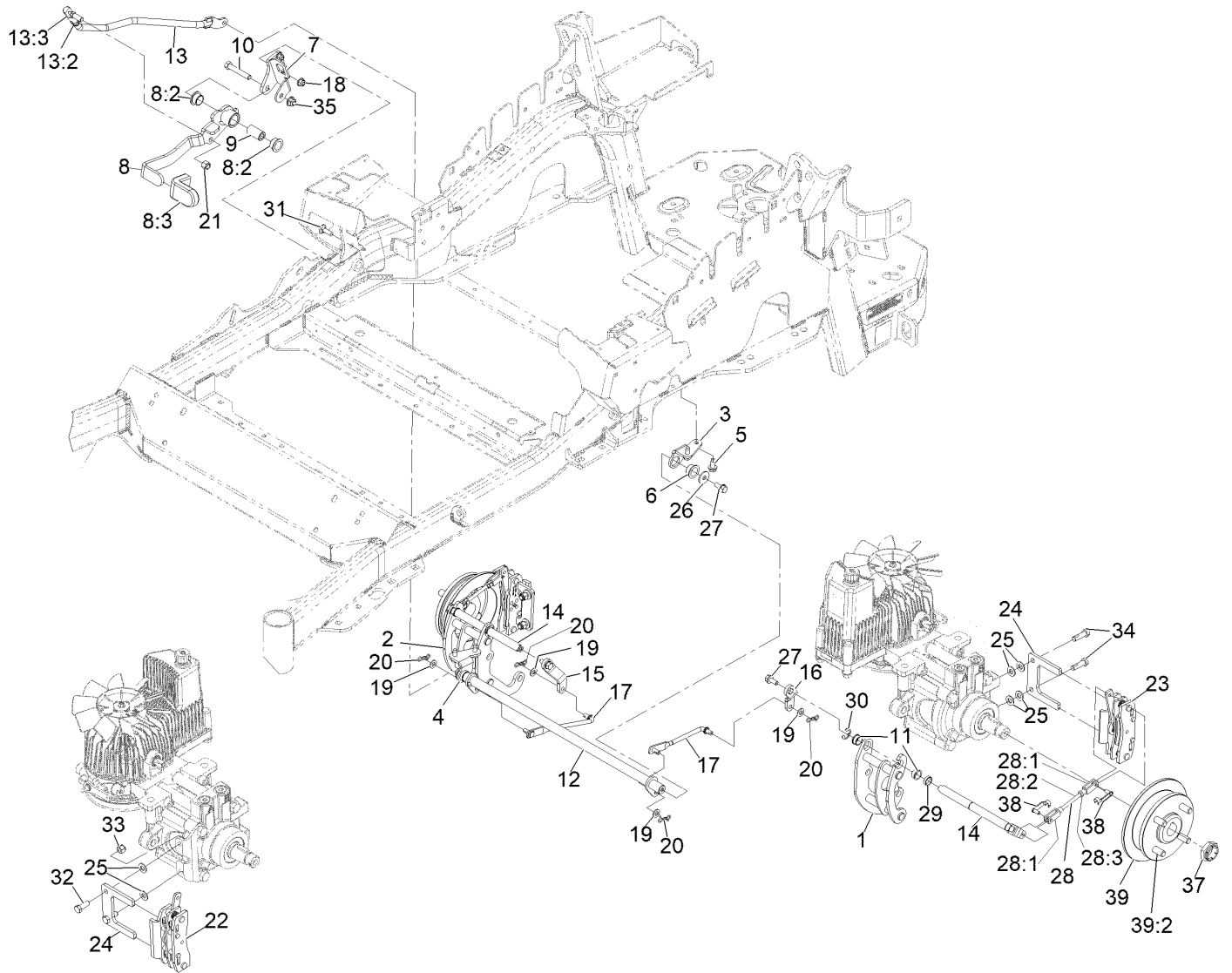
Rear Wheel Assembly



Rear Wheel Assembly (continued)

<i>Ref.</i>	<i>Part Number</i>	<i>Qty.</i>	<i>Description</i>	<i>Ref.</i>	<i>Part Number</i>	<i>Qty.</i>	<i>Description</i>
1	127-9521	2	Wheel And Tire ASM	2	242-50	8	Nut-Lug
1:1	1-633993	1	Tire	3	126-2055	2	Decal-Torque, Wheel Hub Lug
1:2	127-9522	1	Wheel				
1:3	232-27	1	Stem-Valve				

Park Brake Assembly

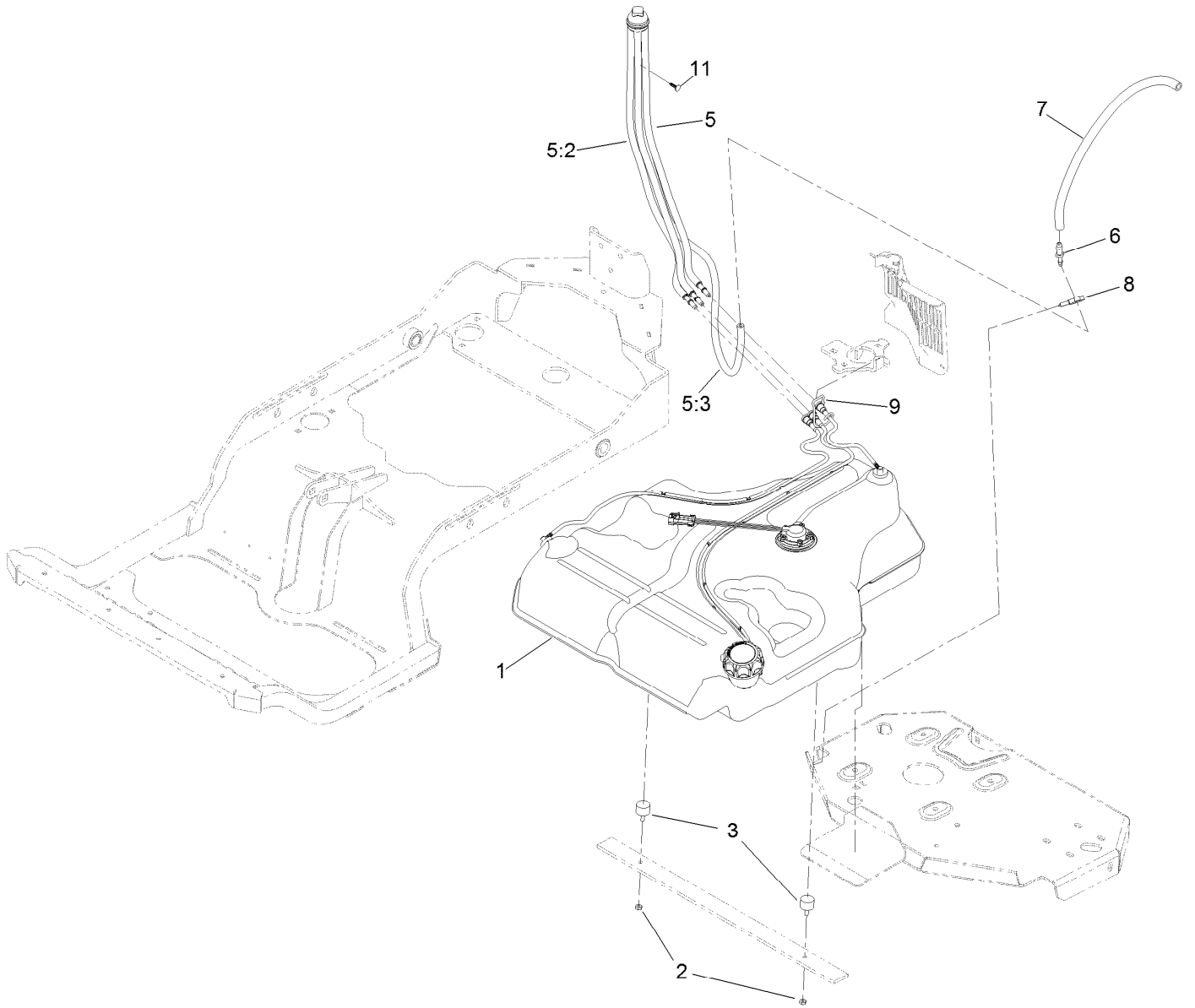


REAR VIEW OF
RIGHT HAND HYDRO

Park Brake Assembly (continued)

<i>Ref.</i>	<i>Part Number</i>	<i>Qty.</i>	<i>Description</i>	<i>Ref.</i>	<i>Part Number</i>	<i>Qty.</i>	<i>Description</i>
1	126-4248	1	Mount-Bellcrank, LH	20	119-1415	4	Pin-Cotter, Locking
2	126-4249	1	Mount-Bellcrank, RH	21	3296-6	1	Nut-Nyloc 3/8-24
3	116-9681	1	Mount-Pivot, LH	22	135-7440	1	Caliper-Brake, RH
4	116-9682	1	Mount-Pivot, RH	23	135-7441	1	Caliper-Brake, LH
5	32144-70	4	Screw-HWH 5/16-18 X 3/4 Tf	24	135-7828	2	Plate-Mount, Brake
6	109-8054	2	Bushing-Flanged	25	3256-24	6	Washer-3/8 SAE
7	116-9096-01	1	Bracket-Mount	26	115-7109	2	Washer-Flat
8	135-7565	1	Brake Lever ASM	27	98-9940	4	Screw-HHF
8:2	109-8054	2	Bushing-Flanged	28	126-7587	2	Rear Linkage ASM
8:3	132-4749	1	Grip-Lever	28:1	126-7588	2	Yoke
9	116-9117	1	Pivot-Handle, Brake	28:2	116-9069	1	Linkage, Rear
10	323-11	1	Screw-HH 3/8-16 X 2 1/4	28:3	3220-1	1	Nut-Jam 1/4-28
11	126-6199	4	Bushing	29	126-6200	2	Spacer
12	135-7800	1	Shaft-Cross	30	32120-19	2	E-Ring
13	135-7805	1	ASM, Front Linkage	31	3230-2	2	Bolt-Carriage 5/16-18 X 1
13:2	94-7572	1	End-Tie Rod, RH	32	135-7915	2	Screw-HH,
13:3	3220-3	1	Nut-Jam 3/8-24	33	112-0236	2	Nut-Lock
14	126-4251	2	Bellcrank	34	135-7890	2	Screw-HH, Patch,
15	126-3716	1	Arm-Inner, RH	35	104-8301	1	Nut-Nyloc 3/8-16 Flg
16	126-3715	1	Arm-Inner, LH	37	116-1399	2	Locknut
17	142-6328	2	Mid-Link, Short	38	126-6395	4	Pin-Clevis, Spring
18	104-8300	2	Nut-Nyloc 5/16-18 Flg	39	142-2701	2	Wheel Hub ASM
19	3256-23	4	Washer-5/16 SAE	39:2	116-1696	4	Stud-Wheel

Fuel System Assembly



Fuel System Assembly (continued)

<i>Ref.</i>	<i>Part Number</i>	<i>Qty.</i>	<i>Description</i>	<i>Ref.</i>	<i>Part Number</i>	<i>Qty.</i>	<i>Description</i>
1	135-0643	1	Fuel Tank ASM	6	116-5072	1	Fitting-Straight
2	3218-1	2	Nut-Jam	7	116-5087	1	Hose-Fuel
3	1-523420	2	Bumper	8	105-1853	1	Clamp-Hose
5	127-0583	1	Fuel Manifold Vent ASM	9	116-6005	1	Retainer-Line, Vapor
5:2	109-0302	3	Hose-Fuel	11	125-8067	1	Plug-Plastic
5:3	108-5376	1	Hose-Fuel				

Fuel Tank Assembly No. 135-0643



Fuel Tank Assembly No. 135-0643 (continued)

<i>Ref.</i>	<i>Part Number</i>	<i>Qty.</i>	<i>Description</i>	<i>Ref.</i>	<i>Part Number</i>	<i>Qty.</i>	<i>Description</i>
2	46-6560	4	Bushing	8:1	46-6560	1	Bushing
3	116-2459	1	Fuel Line Kit (With Grommet)	9	116-2461	1	LH Vent Line Kit (With Grommet)
3:1	46-6560	1	Bushing	9:1	46-6560	1	Bushing
4	3290-500	5	Screw-PPH	10	116-2462	1	Rear Vent Line Kit (With Grommet)
5	3253-17	5	Washer-Lock	10:1	46-6560	1	Bushing
6	126-3913	1	Float-Sender, Fuel	11	1-603770	1	Valve-Fuel
6:1	126-3950	1	Gasket-Sender	12	2412-98	2	Clamp-Hose
7	126-1789	1	Cap-Fuel, Ratcheting	13	109-0650	1	Hose-Fuel
8	116-2460	1	RH Vent Line Kit (With Grommet)				

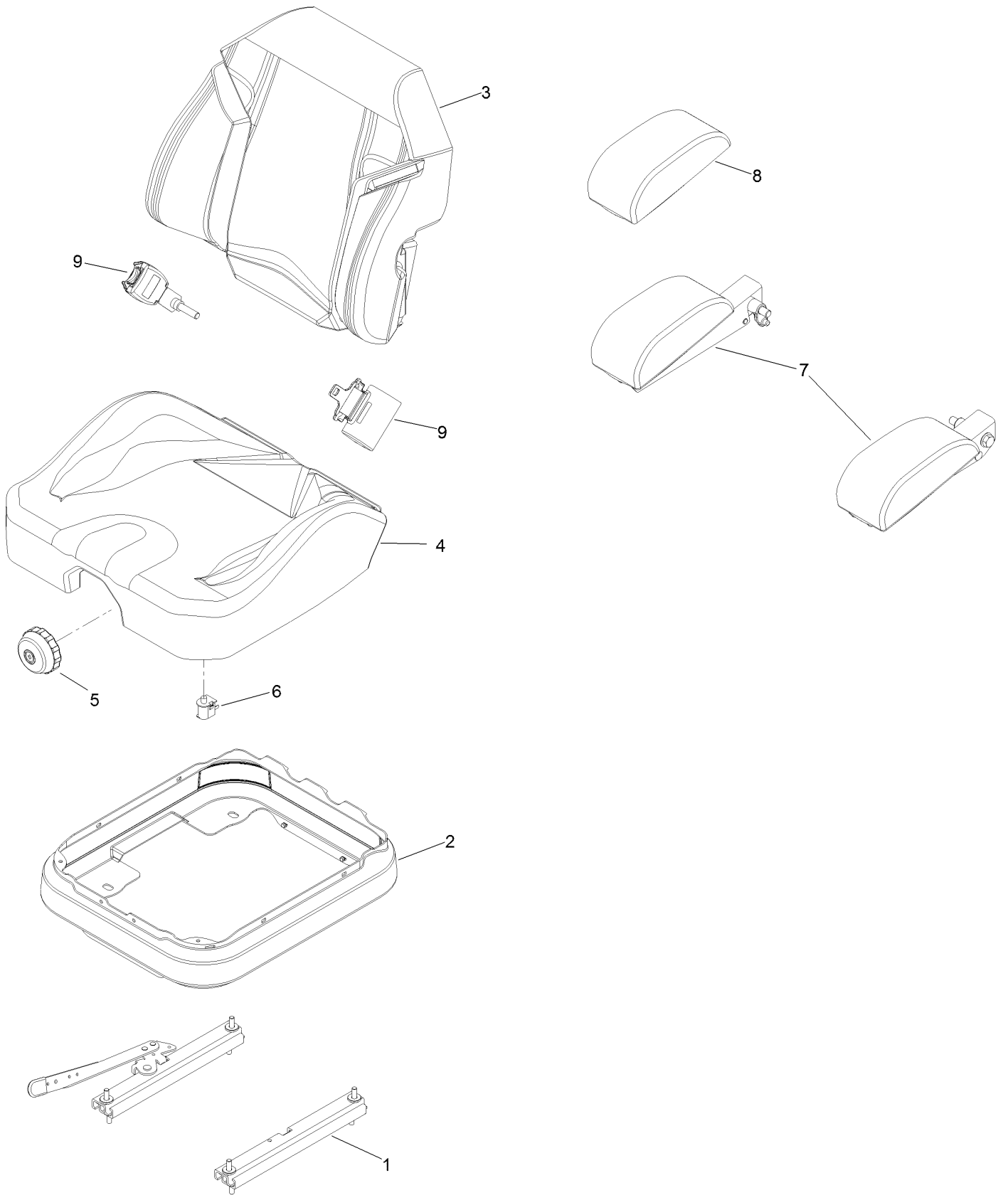
Seat Mounting Assembly



Seat Mounting Assembly (continued)

<i>Ref.</i>	<i>Part Number</i>	<i>Qty.</i>	<i>Description</i>	<i>Ref.</i>	<i>Part Number</i>	<i>Qty.</i>	<i>Description</i>
1	140-8003	1	Seat-Suspension	9:3	125-9383	1	Decal-Service Aid
2	109-9034	4	Isolator-Seat	10	109-9881-03	1	Plate-Latch, Seat
3	104-8301	4	Nut-HF, NI	11	3230-4	1	Bolt-CARR
4	116-3860-03	1	Plate-Tilt, Seat Support	12	107-3017	1	Spring-Compression
5	3230-23	11	Bolt-CARR	13	9266934	2	Screw
6	104-8300	18	Nut-HF, NI	14	140-1215	1	Decal-Console
7	116-3859-03	1	Plate-Frame, Seat	15	116-1297	2	Screw-Shoulder
8	26-4840	4	Spacer-Pin, Mounting	16	116-0070	1	Rod-Prop
9	125-9385	1	Seat Mount ASM	17	3256-23	1	Washer-Plain

Seat Assembly No. 140-8003

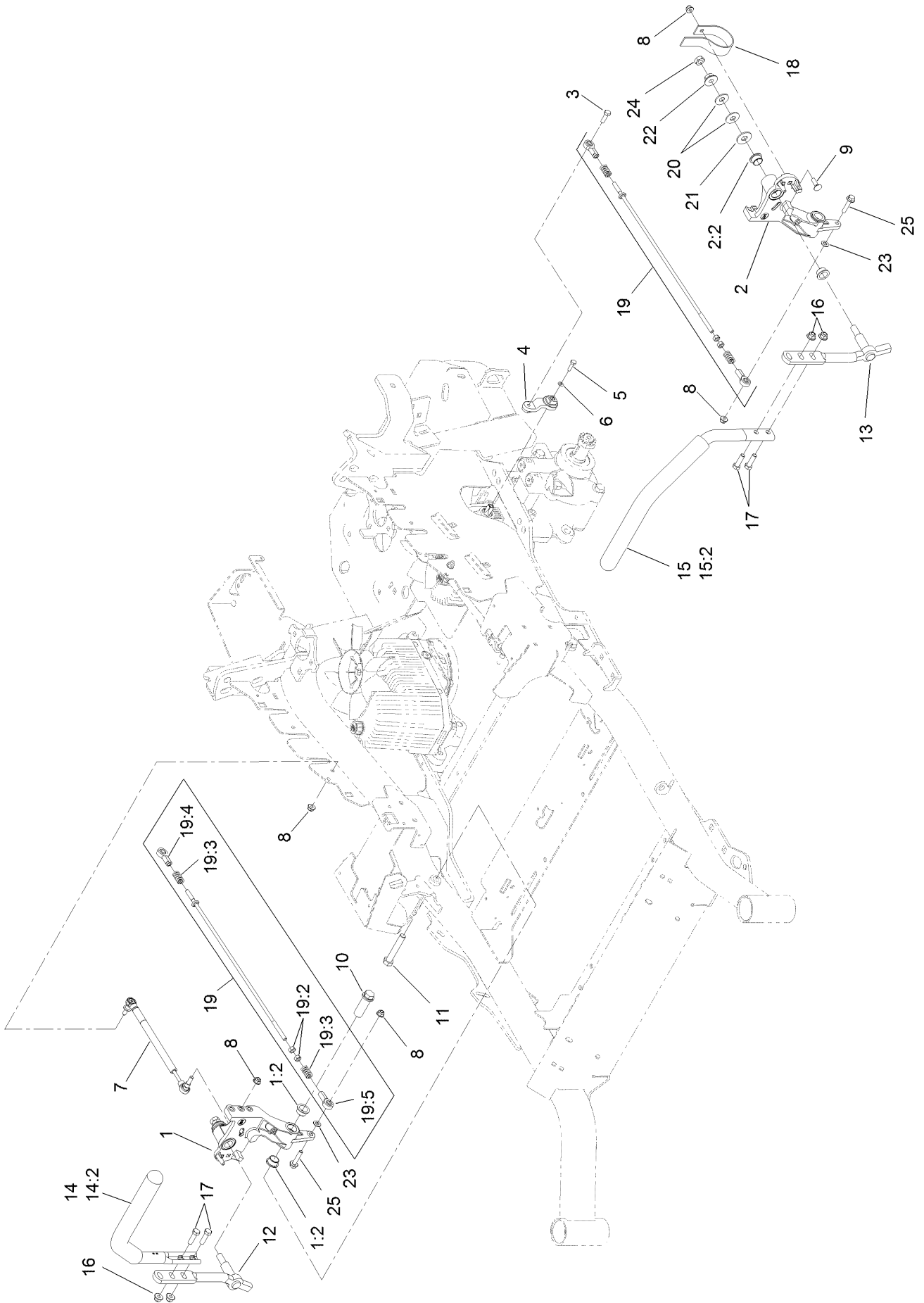


Seat Assembly No. 140-8003 (continued)

<i>Ref.</i>	<i>Part Number</i>	<i>Qty.</i>	<i>Description</i>
1	140-8012	1	Seat Track Set
2	116-5659	1	Cover-Suspension Bellows
3	140-8004	1	Cover-Back
4	140-8005	1	Cover-Cushion
5	116-8911	1	Knob-Adjuster

<i>Ref.</i>	<i>Part Number</i>	<i>Qty.</i>	<i>Description</i>
6	82-2190	1	Switch-Bail
7	109-9803	1	Arm Rest Set
8	109-9802	1	Arm Rest Pad Set
9	126-2061	1	Seat Belt Service Kit

Motion Control Assembly

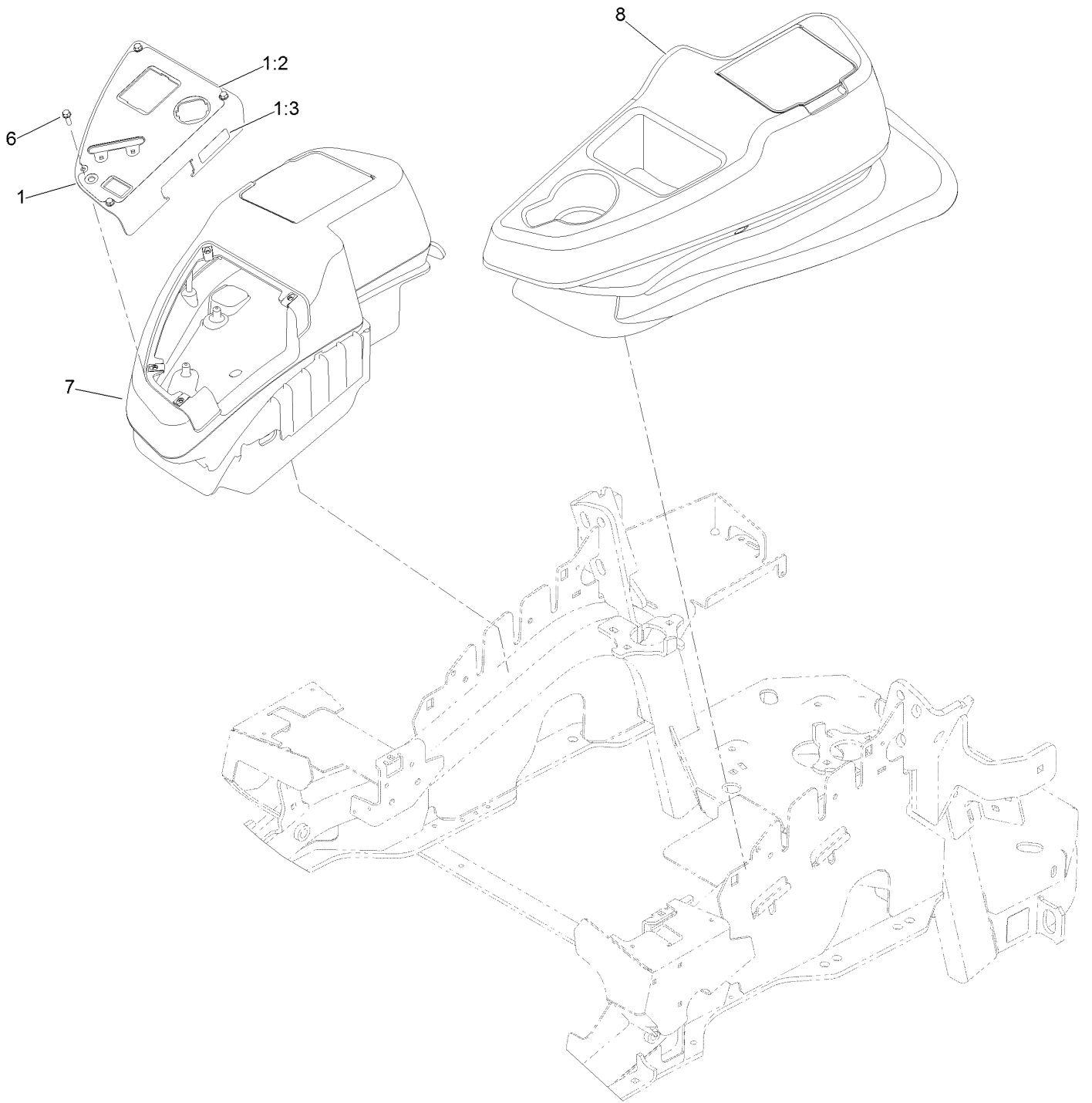


Motion Control Assembly (continued)

<i>Ref.</i>	<i>Part Number</i>	<i>Qty.</i>	<i>Description</i>	<i>Ref.</i>	<i>Part Number</i>	<i>Qty.</i>	<i>Description</i>
1	116-0880	1	RH Motion Control And Bushing ASM	14	135-4371	1	RH Handle ASM
1:2	109-8054	4	Bushing-Flange	14:2	109-5668	1	Grip-Lever, Control
2	116-0881	1	LH Motion Control And Bushing ASM	15	135-4373	1	LH Handle ASM
2:2	109-8054	4	Bushing-Flange	15:2	109-5668	1	Grip-Lever, Control
3	116-0648	2	Screw-HH, Thread Locking ●	16	104-8301	4	Nut-HF, NI
4	109-4581	2	Arm-Control, Pump	17	323-7	4	Screw-HH
5	9080046	2	Screw-HH ●	18	109-5575	2	Spring-Leaf
6	1-303435	2	Washer-Spring	19	109-8106	2	Front Pump Linkage ASM
7	116-0027	2	Damper-Control, Motion	19:2	3219-2	2	Nut-Hex
8	104-8300	8	Nut-HF, NI	19:3	1-323245	2	Spring-Compression
9	3230-2	2	Bolt-CARR	19:4	1-633152	1	Balljoint-LH
10	109-5891	2	Hub-Threaded	19:5	1-543017	1	Balljoint-RH
11	325-12	2	Screw-HH	20	109-9505	4	Washer-Spring
12	116-0039	1	Lever-Control Motion, RH	21	3256-6	2	Washer-Flat
13	116-0040	1	Lever-Control Motion, LH	22	32128-56	2	Nut-HF
				23	3256-23	2	Washer-Plain
				24	3218-5	2	Nut-Jam
				25	115-1794	2	Screw-HHF

● Use Pro-Lock, Nut Type (P/N 1-840022, .5ml tube) on threads.

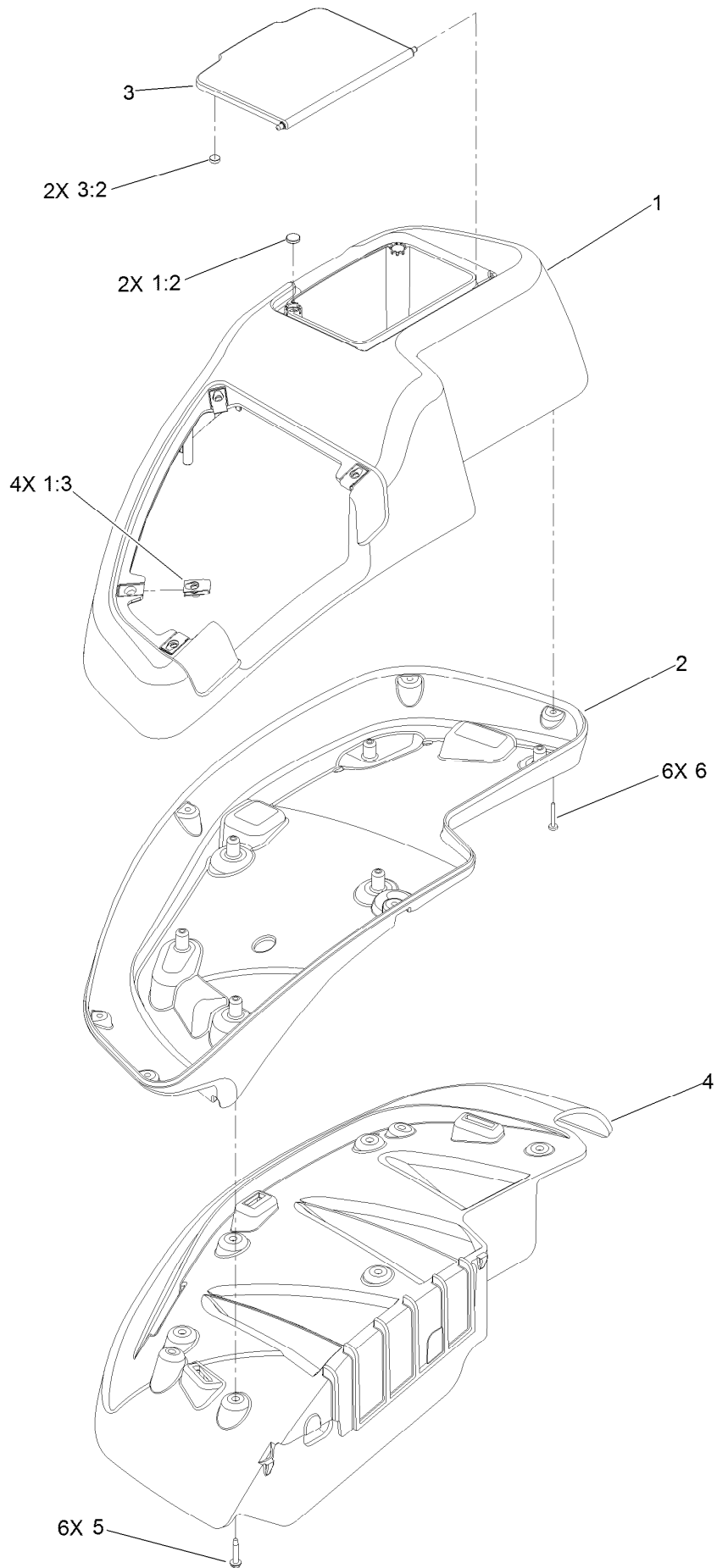
Console Assembly



Console Assembly (continued)

<i>Ref.</i>	<i>Part Number</i>	<i>Qty.</i>	<i>Description</i>	<i>Ref.</i>	<i>Part Number</i>	<i>Qty.</i>	<i>Description</i>
1	114-9836	1	Control Panel ASM	6	32105-15	4	Screw-HWH
1:2	120-5897	1	Decal-Panel, Control	7	115-7400	1	RH Console ASM
1:3	114-4466	1	Decal-Fuses	8	115-7401	1	LH Console ASM

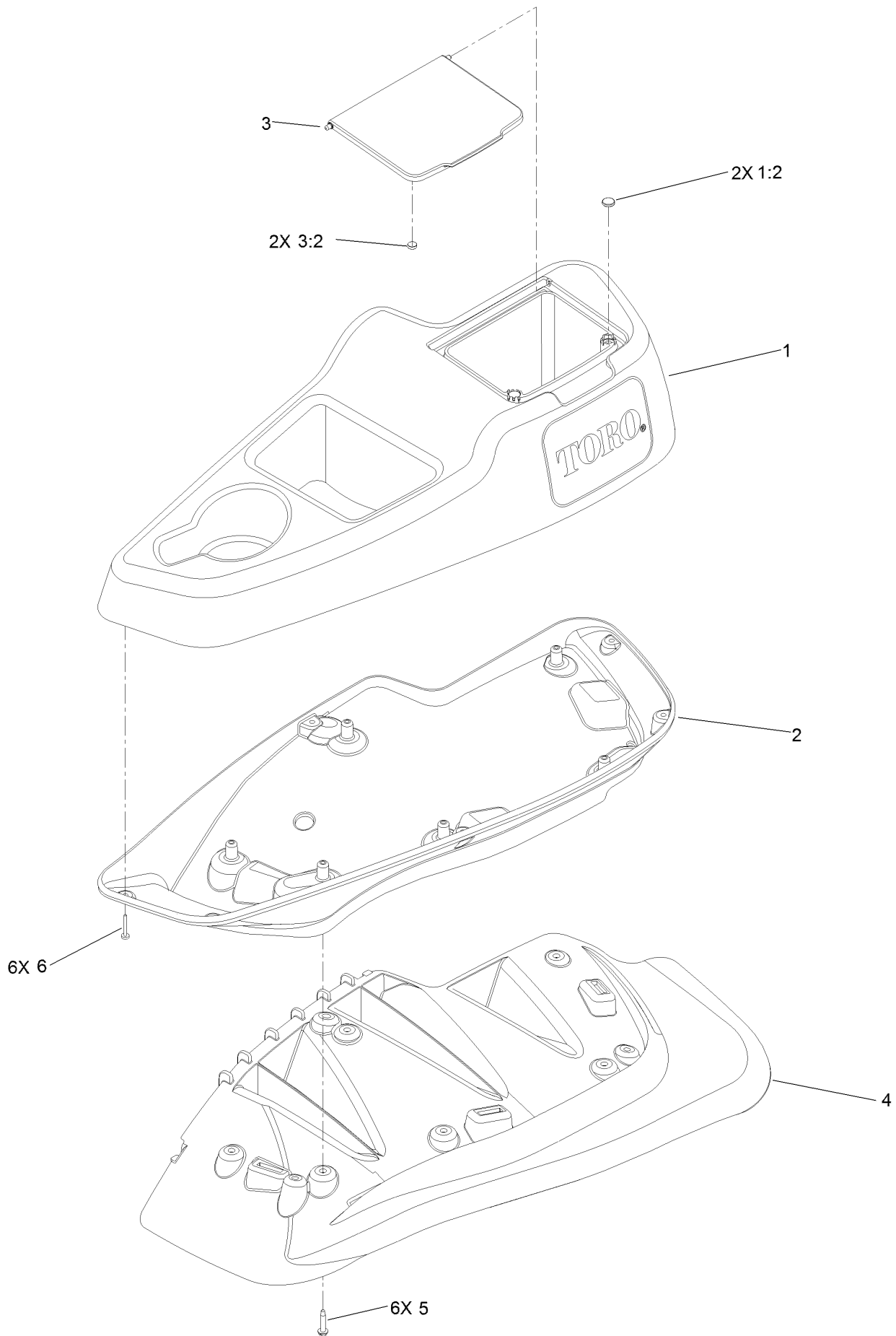
RH Console Assembly No. 115-7400



RH Console Assembly No. 115-7400 (continued)

<i>Ref.</i>	<i>Part Number</i>	<i>Qty.</i>	<i>Description</i>	<i>Ref.</i>	<i>Part Number</i>	<i>Qty.</i>	<i>Description</i>
1	114-1538	1	RH Wide Top Console ASM	3:2	114-5896	2	Magnet
1:2	117-0883	2	Puck	4	109-9083	1	Fender-Wide, RH
1:3	107069	4	Clip	5	32144-89	6	Screw-Thread Forming
2	115-3643	1	Console-Lower, RH Wide	6	117-0347	6	Screw-PPH
3	114-1537	1	Wide Lid ASM				

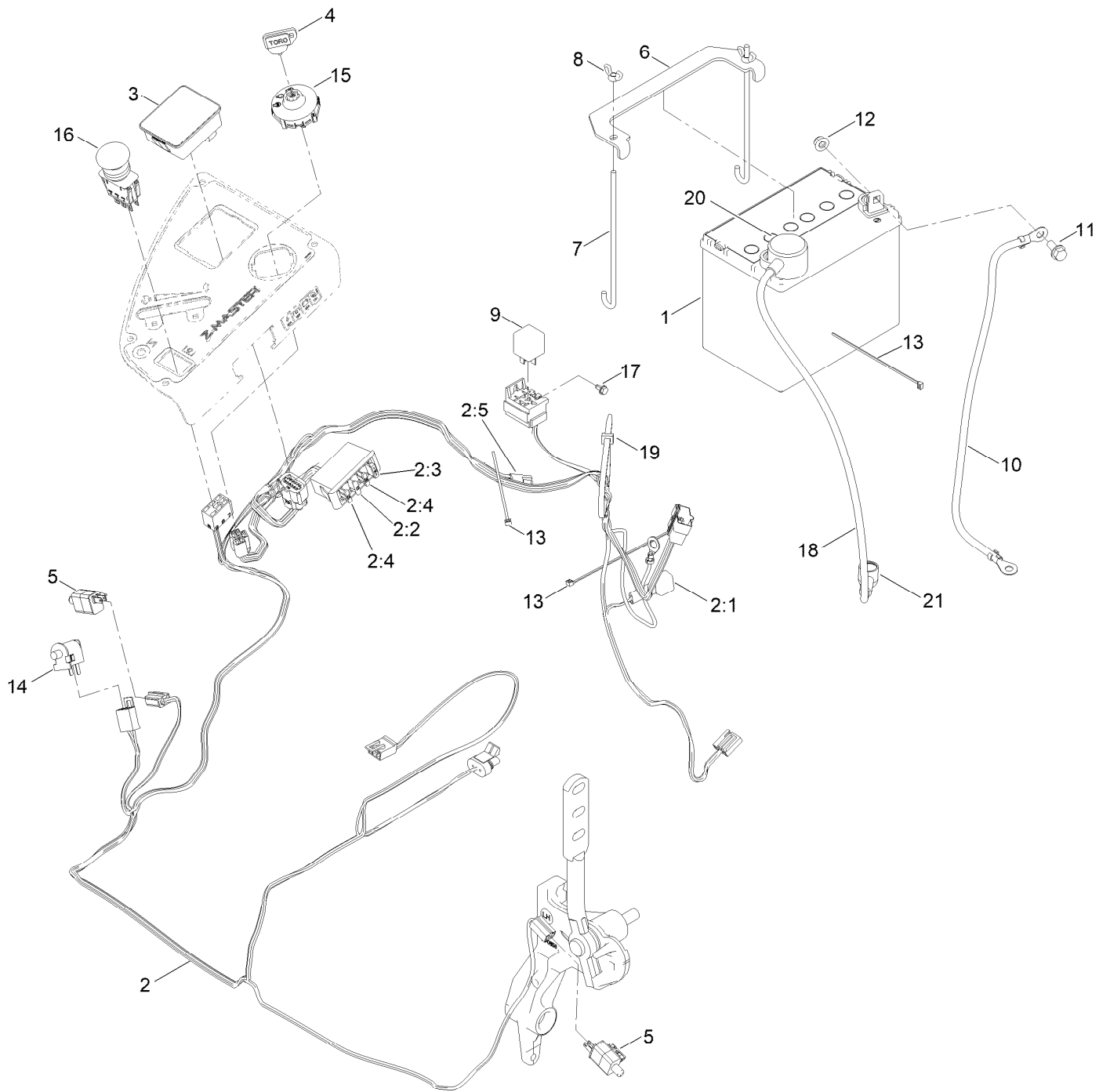
LH Console Assembly No. 115-7401



LH Console Assembly No. 115-7401 (continued)

<i>Ref.</i>	<i>Part Number</i>	<i>Qty.</i>	<i>Description</i>	<i>Ref.</i>	<i>Part Number</i>	<i>Qty.</i>	<i>Description</i>
1	114-1539	1	LH Wide Console Top ASM	3:2	114-5896	2	Magnet
1:2	117-0883	2	Puck	4	109-9085	1	Fender-Wide, LH
2	115-3641	1	Console-Lower, LH Wide	5	32144-89	6	Screw-Thread Forming
3	114-1537	1	Wide Lid ASM	6	117-0347	6	Screw-PPH

Electrical Assembly

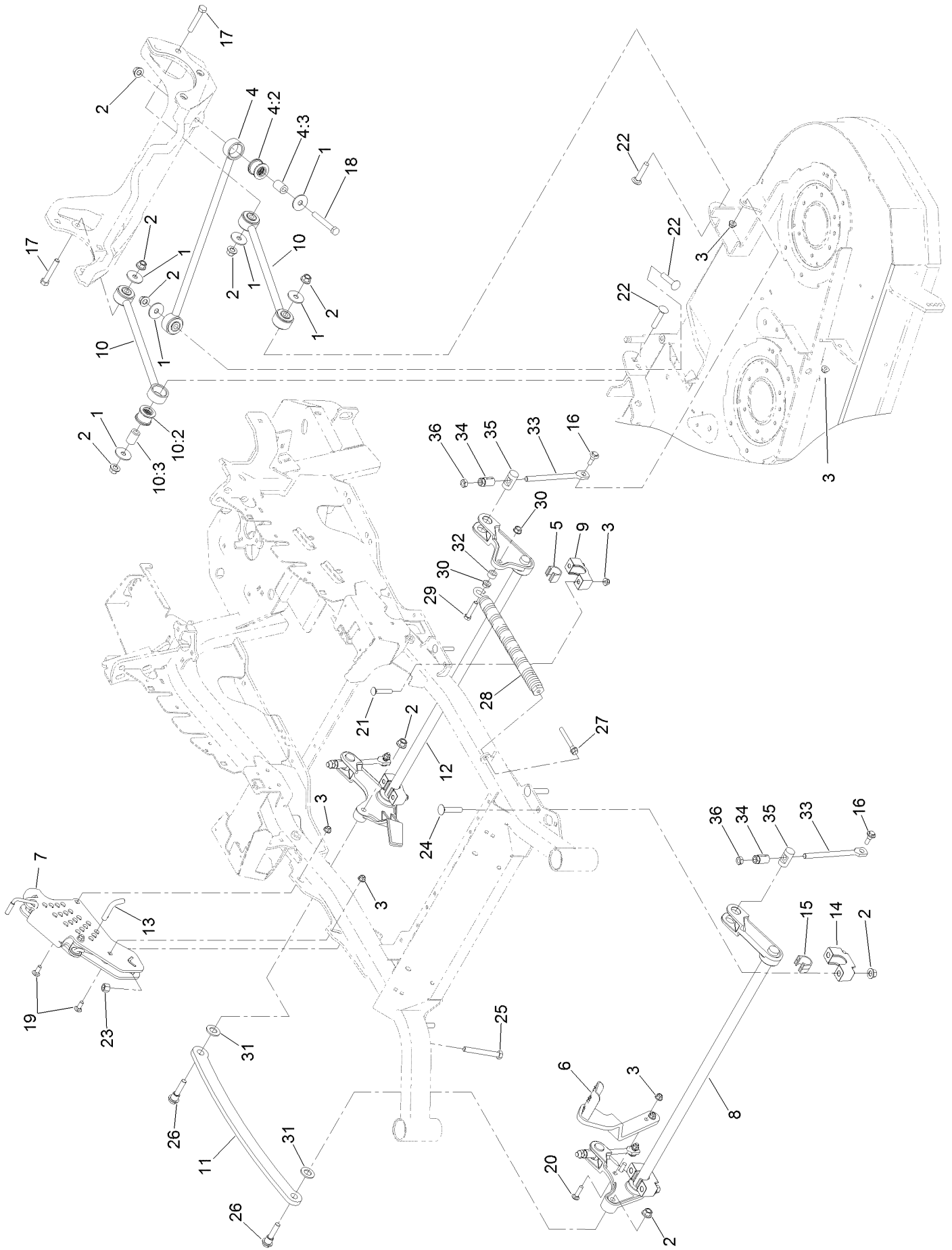


Electrical Assembly (continued)

<i>Ref.</i>	<i>Part Number</i>	<i>Qty.</i>	<i>Description</i>	<i>Ref.</i>	<i>Part Number</i>	<i>Qty.</i>	<i>Description</i>
1	104-8162	1	Battery	9	1-643275	1	Relay
2	116-6009	1	Harness-Wire, Main ●	10	114-1218	1	Cable-Battery, Negative
2:1	103-3895	1	Diode	11	3234-5	2	Screw-HHF
2:2	218-578	1	Fuse-Blade, 10 Amp	12	104-8300	2	Nut-HF, NI
2:3	109355	1	Fuse-Blade, 15 Amp	13	1-303287	3	Tie-Cable
2:4	109102	2	Fuse-Blade, 25 Amp	14	82-2190	1	Switch-Bail
2:5	116-0053	1	Cap-Plug	15	137-4100	1	Switch-Ignition
3	117-3882	1	Fuel/Hour Meter ASM	16	135-3653	1	Switch, PTO 10A
4	1-603511	1	Keys-Ignition (Spare Pair)	17	104-2065	1	Screw-HWH
4	63-8360	1	Key-Ignition	18	115-3864	1	Cable-Battery, Positive
5	110-6765	2	Switch	19	3290-378	1	Tie-Cable
6	116-0042-03	1	Strap-Tie Down, Battery	20	109-2407	1	Insulator-Battery
7	1-633651	2	Bolt-Holddown	21	1-543393	1	Insulator-Solenoid
8	1-543792	2	Wingnut				

● Use dielectric grease on all unsealed connectors and terminals only. Do not apply in sealed connectors.

Deck Lift Assembly



Deck Lift Assembly (continued)

<i>Ref.</i>	<i>Part Number</i>	<i>Qty.</i>	<i>Description</i>	<i>Ref.</i>	<i>Part Number</i>	<i>Qty.</i>	<i>Description</i>
1	86-1990	6	Washer-Thrust	15	109-9410	2	Bearing-Cross Shaft, Front
2	99-5107	12	Nut-Lock	16	109-9840	4	Screw-Shoulder, HHF
3	104-8301	12	Nut-HF, NI	17	325-12	2	Screw-HH
4	109-5013	1	Panhard Rod ASM	18	325-17	1	Screw-HH
4:2	109-5009	2	Bushing-Suspension, Rubber	19	3231-2	2	Bolt-CARR
4:3	109-5010	2	Spacer	20	3231-4	2	Screw-CARR
5	109-7173	2	Bearing-Cross Shaft, Rear	21	3231-7	4	Screw-CARR
6	116-1919-01	1	Lever-Foot	22	3233-34	3	Screw-CARR
7	109-7438	1	HOC ASM	23	3296-23	1	Nut-Lock, NI
8	126-2477-03	1	Decklift-Front	24	116-1700	4	Bolt-CARR
9	127-0553	2	Support-Bearing, Cross Shaft (Rear)	25	116-0559	1	Bolt-TAP
10	109-7952	2	Deck Strut ASM	26	116-2022	2	Screw-HHF, Shoulder
10:2	109-5009	2	Bushing-Suspension, Rubber	27	92-7674	1	Bolt-Shoulder
10:3	109-5010	2	Spacer	28	116-0000	1	Spring-Extension
11	116-0797-03	1	Link-Lift, Deck	29	109-9065	1	Screw-HH
12	116-2645-03	1	Lift-Deck, Rear	30	32128-37	2	Nut-HF
13	116-5584	1	Pin-HOC	31	3256-28	2	Washer-Flat
14	109-9409	2	Support-Bearing, Cross Shaft (Front)	32	116-2695	1	Spacer
				33	109-8007	4	Link-Adjuster, Deck Lift
				34	109-7840	4	Adjuster-Lift, Deck
				35	109-8353	4	Trunnion
				36	3218-5	4	Nut-Jam

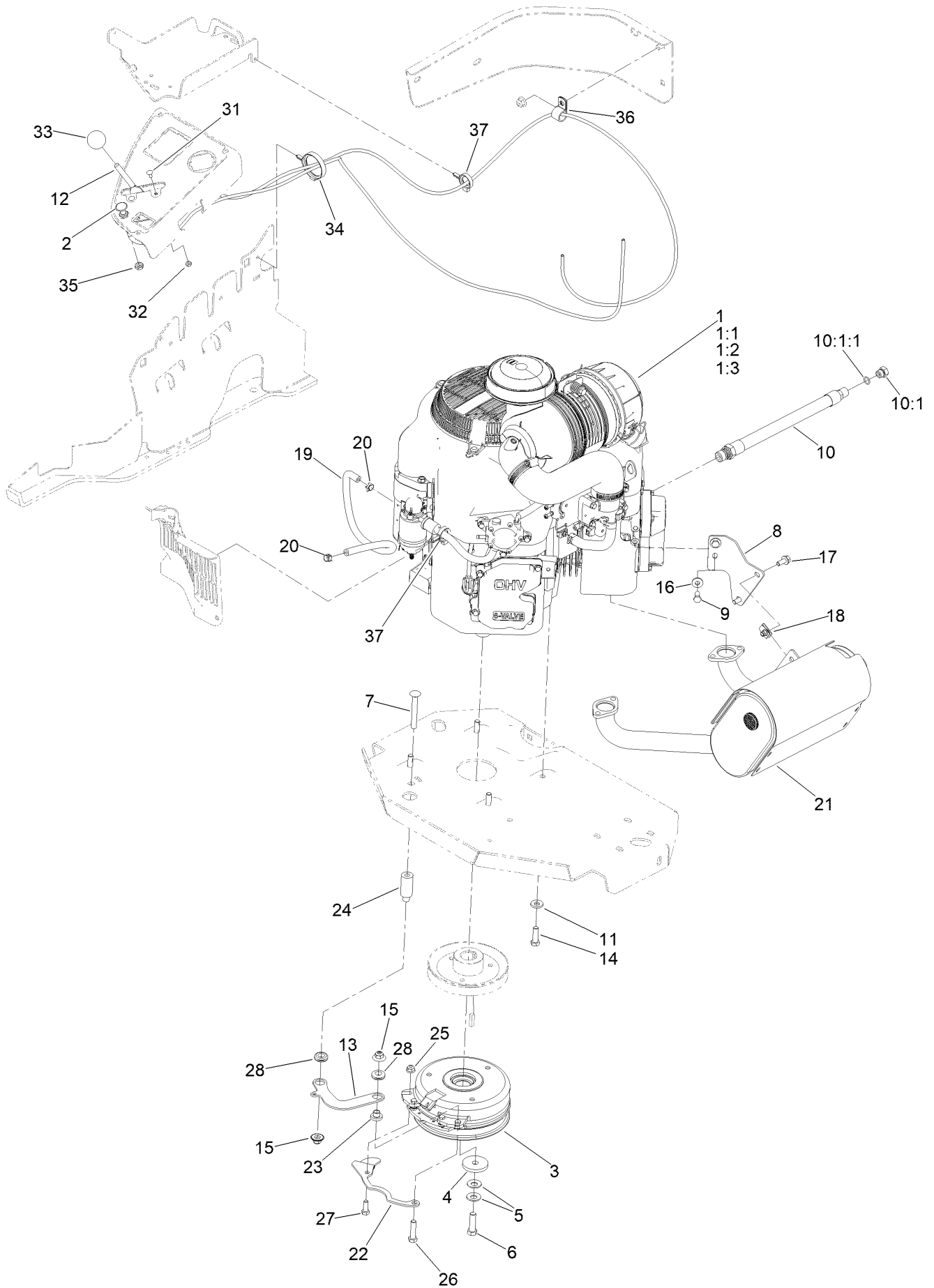
Height-of-Cut Assembly No. 109-7438



Height-of-Cut Assembly No. 109-7438 (continued)

<i>Ref.</i>	<i>Part Number</i>	<i>Qty.</i>	<i>Description</i>	<i>Ref.</i>	<i>Part Number</i>	<i>Qty.</i>	<i>Description</i>
1	62-1330	1	Bolt-Shoulder	6	116-0118	1	Pawl-Transport, HOC
2	109-7130	1	Grommet	7	109-7335	1	HOC Plate ASM
3	104-8301	1	Nut-HF, NI	7:2	126-4398	1	Decal-HOC
4	109-7124	1	Spring-Extension	8	109-8250	1	Grip-Lever
5	109-7128	1	Rod-Lock, Transport				

Engine, Clutch and Muffler Assembly



Engine, Clutch and Muffler Assembly (continued)

<i>Ref.</i>	<i>Part Number</i>	<i>Qty.</i>	<i>Description</i>	<i>Ref.</i>	<i>Part Number</i>	<i>Qty.</i>	<i>Description</i>
1		1	Engine-Kawasaki, Fx921V-S04-R ■▲	14	323-7	4	Screw-HH
1:1		1	Kawasaki 49065-7007 Engine Oil Filter ■▲	15	109-6658	2	Nut-Flange, NI
1:2		1	Kawasaki 11013-7044 Engine Air Filter ■▲	16	1-303334	2	Washer-Spring
1:3		1	Kawasaki 11013-7045 Safety Filter ■▲	17	3234-5	2	Screw-HHF
2	133-1873	1	Cable-Choke	18	94-2413	2	Nut-U
3	126-4185	1	Clutch Kit	19	109-0298	1	Line-Fuel
4	109-6919	1	Washer-Plain	20	2412-98	2	Clamp-Hose
5	1-603610	2	Washer-Spring	21	116-1707	1	Muffler
6	109-9761	1	Screw-HH □	22	116-3331-01	1	Belt-Guide
7	3231-42	1	Screw-CARR	23	116-3318	1	Spacer
8	116-1587	1	Bracket-Muffler	24	116-3319	1	Spacer
9	33114-020	2	Screw-HH	25	104-8300	1	Nut-HF, NI
10	116-4924	1	Engine Oil Drain Hose ASM ◆	26	323-8	1	Screw-HH
10:1	353-508	1	Plug-HH ●	27	322-4	1	Screw-HH
10:1:1	237-42	1	O-Ring	28	93-5108	2	Grommet-Rubber
11	98-5975	4	Washer-Belleville	31	1-807513	2	Bolt-CARR
12	133-1816	1	Throttle-Control	32	3296-2	2	Nut-Lock, NI
13	116-3317-01	1	Link-Anchor, Clutch	33	1-603175	1	Knob-Ball
				34	117-7817	1	Clamp-Harness
				35	3220-3	1	Nut-HJ
				36	1-633396	1	Clip-Loom
				37	105-1853	2	Clamp-Hose

● Torque to 24-26 ft-lb

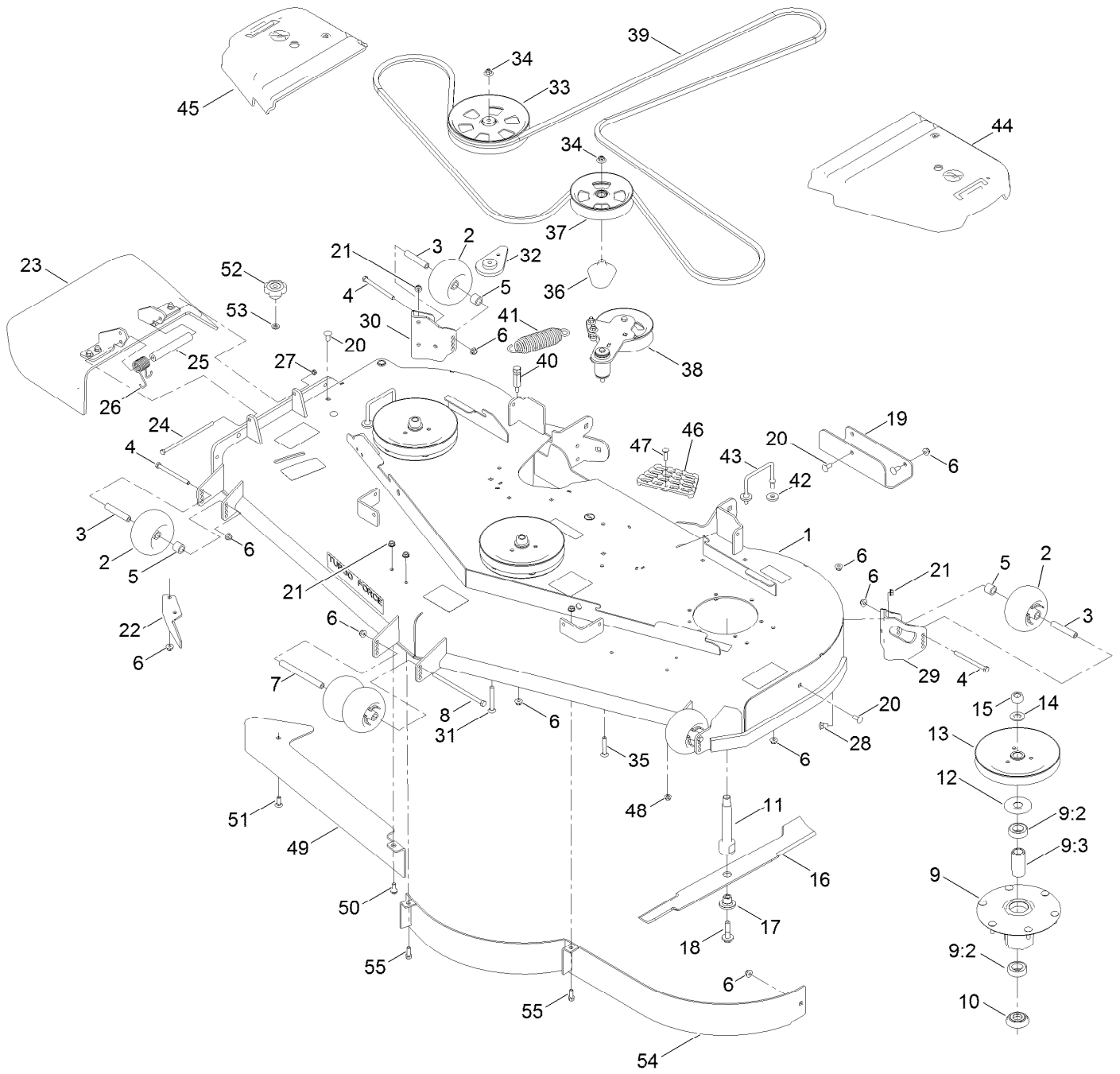
▲ Obtain parts from www.kawpower.com

◆ Use a Teflon Pipe Sealant or equivalent on threads.

□ Use Pro-Lock, Nut Type (P/N 1-840022, .5ml tube) on threads.

■ Not serviced separately

Deck Assembly

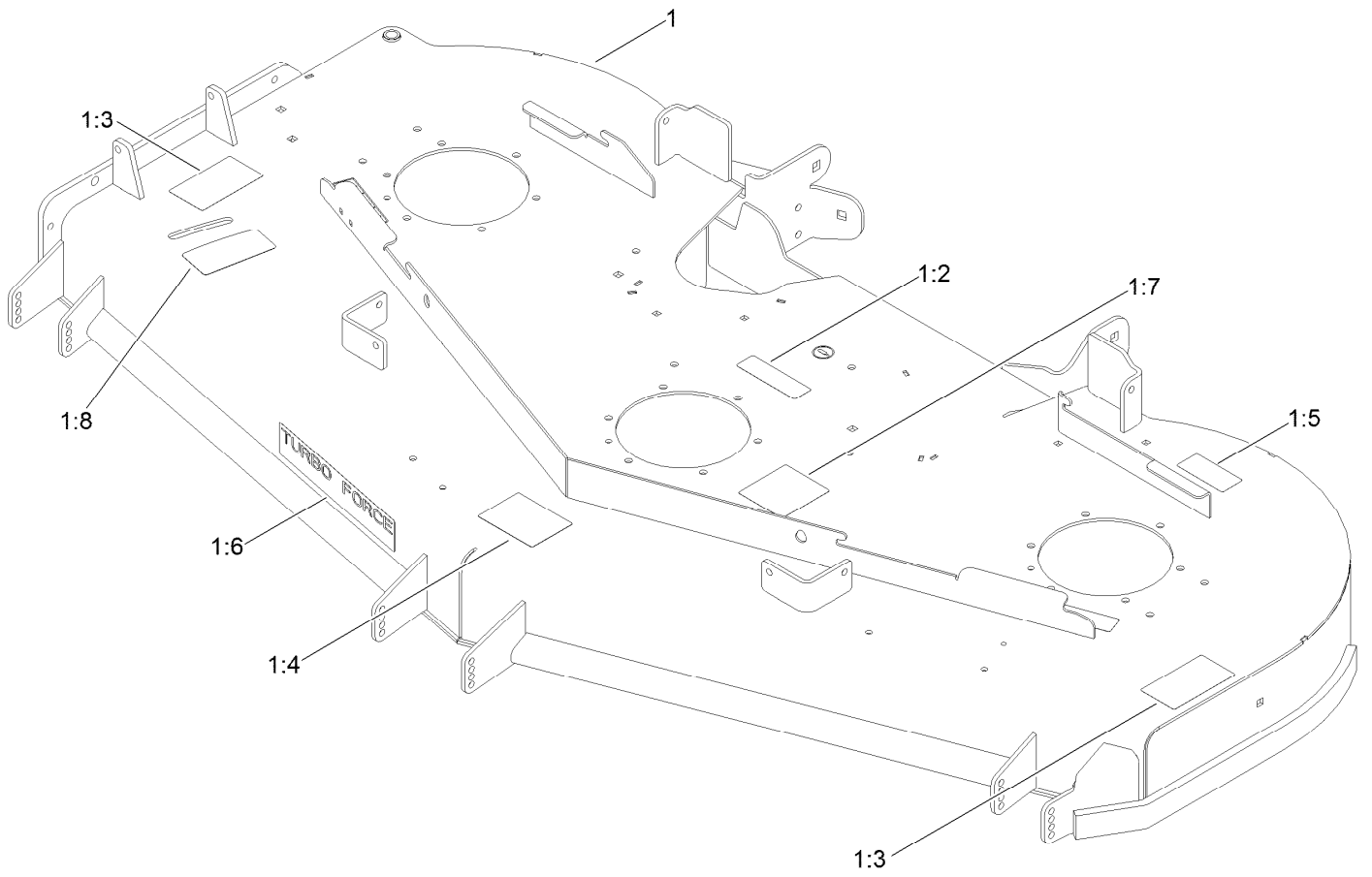


Deck Assembly (continued)

<i>Ref.</i>	<i>Part Number</i>	<i>Qty.</i>	<i>Description</i>	<i>Ref.</i>	<i>Part Number</i>	<i>Qty.</i>	<i>Description</i>
1	140-1170	1	Deck Decal ASM	28	3231-1	6	Screw-CARR
2	1-603299	6	Roller-Scalp, Anti	29	106-7354-01	1	Mount-Wheel, LH
3	98-7912	4	Tube-Spanner	30	106-7355-01	1	Mount-Wheel, RH
4	323-23	4	Screw-HH	31	3231-42	1	Screw-CARR
5	98-7913	4	Tube-Spacer	32	109-9416	1	Spacer-Idler
6	104-8301	34	Nut-HF, NI	33	132-4734	1	Pulley-Idler, Flat
7	98-5967	1	Spacer-Wheel	34	109-6658	2	Nut-Flange, NI
8	108-5388	1	Screw-HH	35	3231-40	1	Bolt-CARR
9	137-9780	3	Spindle ASM	36	109-2872	1	Spacer-Pulley
9:2	116-0720	2	Bearing-Ball	37	136-5404	1	Pulley-Idler, Flat
9:3	138-6042	1	Spacer-Bearing	38		1	Idler Arm ASM ●
10	137-9784	3	Guard-Bottom	39	109-9023	1	Belt-V
11	138-6045	3	Shaft-Spindle	40	114-5867	1	Anchor-Spring, Tall
12	103-1330	3	Guard-Bearing, Top	41	116-6317	1	Spring-Extension
13	138-6060	3	Sheave-Drive, Blade	42	1-373034	4	Washer
14	103-2802	3	Washer	43	109-6982	2	Wireform-Cover
15	116-7306	3	Nut-Hex	44	109-6938	1	Cover-Belt, LH
16	140-1238	3	Blade	45	116-0094	1	Cover-Belt, RH
17	137-9787	3	Bushing-Hex	46	126-4781-03	1	Step-Deck
18	109-9220	3	Screw-Sems	47	3230-3	1	Screw-CARR
19	121-7975-01	1	Plate-Skid	48	104-8300	1	Nut-HF, NI
20	3231-27	6	Screw-CARR	49	138-6051-01	1	Plate-Baffle
21	3290-357	9	Nut-HSF	50	94-7582	1	Bolt-Shoulder
22	106-3216-01	1	Baffle-Discharge	51	3231-22	1	Screw-CARR
23	108-2792	1	Rubber Deflector ASM	52	109-1092	1	Knob
24	322-50	1	Screw-HH	53	100-4852	1	Washer-Hardened
25	105-4622	1	Spacer	54	114-5843-01	1	Baffle
26	108-4052	1	Spring-Torsion	55	92-1624	2	Screw-HWH Thd Form
27	3296-47	1	Nut-Lock, NI				

● Not serviced separately

Deck Decal Assembly No. 140-1170

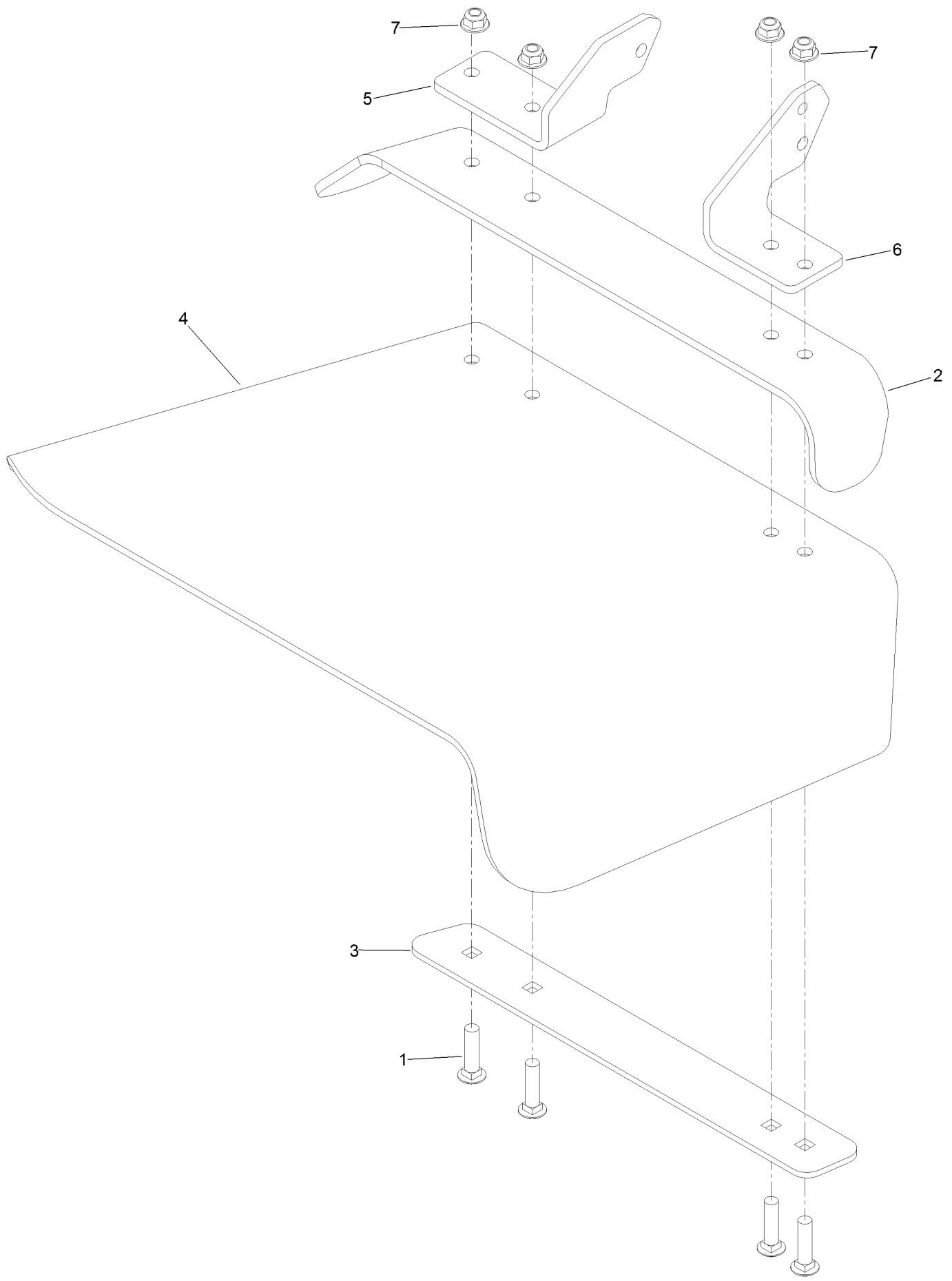


Deck Decal Assembly No. 140-1170 (continued)

<i>Ref.</i>	<i>Part Number</i>	<i>Qty.</i>	<i>Description</i>	<i>Ref.</i>	<i>Part Number</i>	<i>Qty.</i>	<i>Description</i>
1		1	Deck ASM ●	1:5	116-8283	1	Decal-Torque, Bolt
1:2	112-9028	3	Decal-Cover, Missing	1:6	107-1620	1	Decal
1:3	117-3848	2	Decal-Danger	1:7	136-5508	1	Decal-Routing, Deck Belt
1:4	127-0326	1	Decal-Scalp, Anti	1:8	131-1180	1	Decal-Adjustment, Baffle

● Not serviced separately

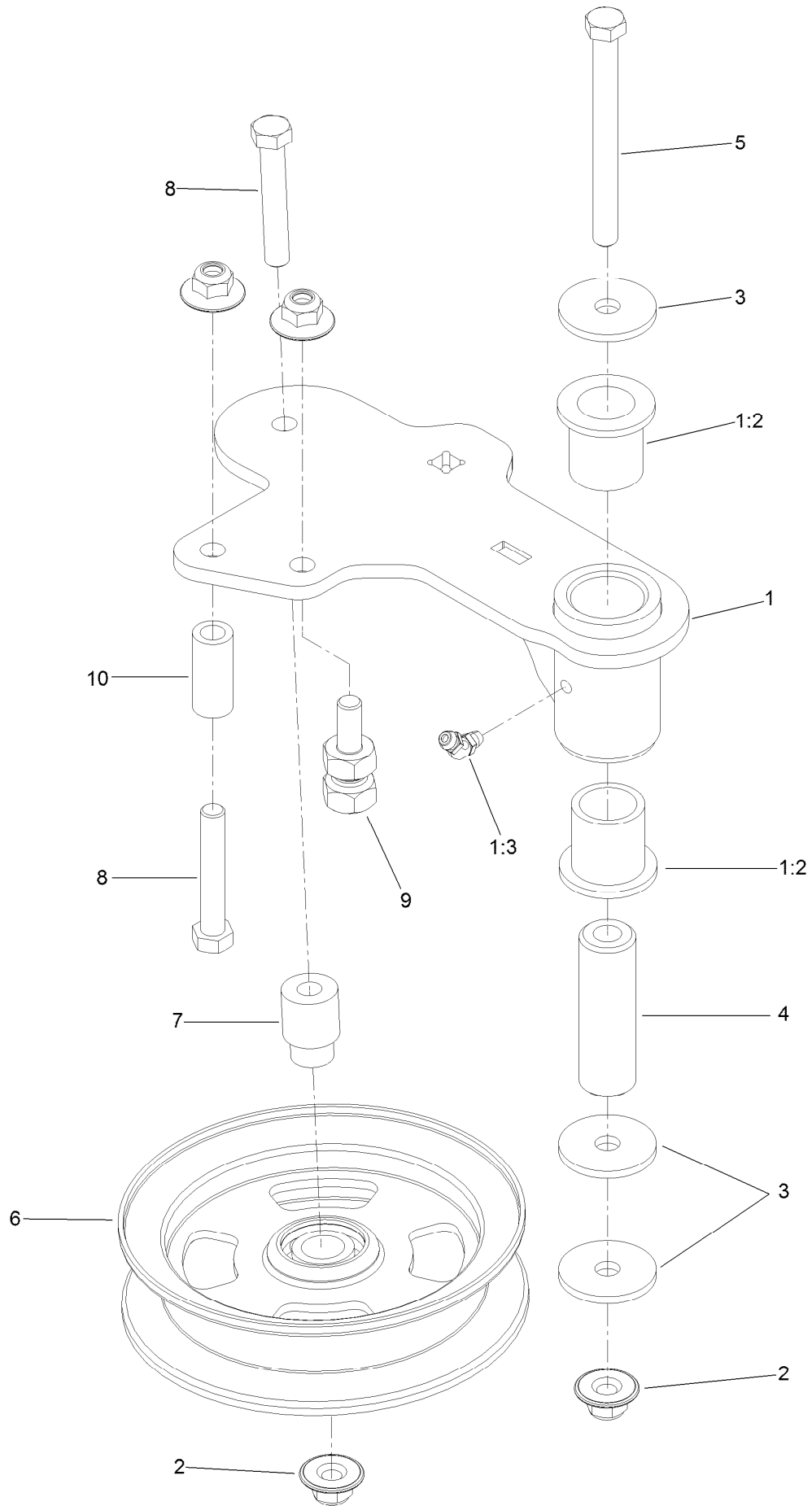
Rubber Deflector Assembly No. 108-2792



Rubber Deflector Assembly No. 108-2792 (continued)

<i>Ref.</i>	<i>Part Number</i>	<i>Qty.</i>	<i>Description</i>	<i>Ref.</i>	<i>Part Number</i>	<i>Qty.</i>	<i>Description</i>
1	3231-4	4	Screw-CARR	5	108-4059-01	1	Plate-Hinge, Rear
2	106-3246-01	1	Deflector	6	106-3253-01	1	Plate-Hinge, Front
3	106-3248-03	1	Strap-Discharge	7	104-8301	4	Nut-HF, NI
4	108-5029	1	Deflector-Rubber				

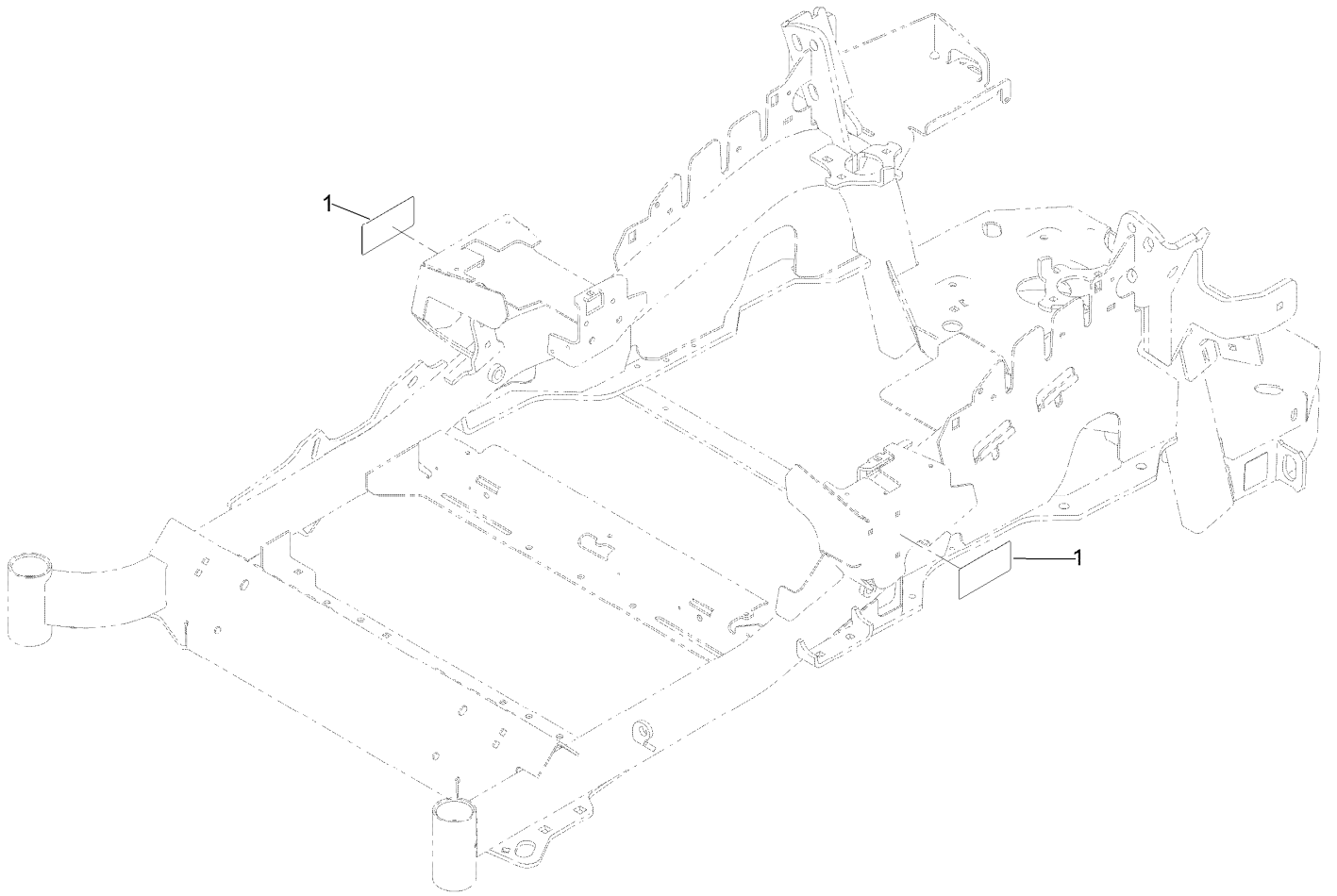
Idler Arm Assembly



Idler Arm Assembly (continued)

<i>Ref.</i>	<i>Part Number</i>	<i>Qty.</i>	<i>Description</i>	<i>Ref.</i>	<i>Part Number</i>	<i>Qty.</i>	<i>Description</i>
1	114-5870	1	Idler Arm ASM	5	98-5961	1	Screw-HH
1:2	1-303514	2	Bearing-Flanged	6	132-9425	1	Pulley-Idler, Flat
1:3	1481	1	Fitting-Grease	7	112-4212	1	Mount-Pulley
2	109-6658	4	Nut-Flange, NI	8	323-11	2	Screw-HH
3	1-213069	3	Washer	9	132-4729	1	Anchor-Spring, Short
4	114-5848	1	Spacer-Plain	10	104-0151	1	Spacer

Frame Decal Assembly



Frame Decal Assembly (continued)

<i>Ref.</i>	<i>Part Number</i>	<i>Qty.</i>	<i>Description</i>
1	120-5895	2	Decal

Attachments and Accessories

For 72961 Z Master Professional 6000 Series Riding Mower with 72in TURBO FORCE Side Discharge Mower

Product Name	Model/Part
Turbo Baffle Kit	107-1634
Hitch Kit	109-9487
Hypr-Oil 500 (quart)	114-4713
Hypr-Oil 500 (gallon).....	114-4714
Hypr-Oil 500-5 (5 gallon).....	114-4715
Bimini Folding Shade Assembly	115-4510
Roller Striper Kit.....	115-7480
Light Kit.....	116-1154
Seat Cover (W/arm rest).....	117-0095
Z Stand Kit.....	117-0354
Operator Controlled Discharge Chute Kit.....	117-3600
Seat Tilt Frame and ISO Mount Kit.....	121-7596
Toro Rops Lock Kit.....	126-4064
Jack Mount Kit	127-6665
Jack Kit	127-6666
Power Deck Lift Kit	132-5986
Worklight Kit	135-7320
Bucket Mount Kit.....	137-9216
Trimmer Mount	137-9769
Recycler Kit-G3/GM 3300 72in	139-6659
24x12n12 - Tweel Turf	139-7891
Blade-24.50 High Flow	140-1238
Blade-24.50 Atomic	140-1239
Blade-24.50 Medium Flow	140-4850
Blade-24.50 Low Flow	140-4851
Blade-24.50 Recycler	140-4852
6 Pack-Blade, 24.5 High Flow.....	140-4872
6 Pack-Blade, 24.5 Med Flow	140-4873
6 Pack-Blade, 24.5 Low Flow	140-4874
6 Pack-Blade, 24.5 Atomic.....	140-4875
6 Pack-Blade, 24.5 Recycler.....	140-4876
Weight Kit, Under Toe Board.....	140-4958
Toro Rider Over Seat Bag.....	490-7317
Toro Deluxe Rider Cover.....	490-7319
Toro Rider Arm Rest Bag	490-7320
Spark Arrestor Screen	75-6880
Blower and Drive Kit	78554
72in E-z Vac Triple Bagger	78555
72in E-z Vac Dfs Bagger.....	78556
Filter Minder Gauge.....	99-4664
Trash Holder Kit.....	TC26

Notes:

Notes:

Notes:



Count on it.