



**Count on it.**

**Parts Catalog**

**Groundsmaster® 3310  
All-Wheel Drive Traction Unit**

Model No. 31903A—Serial No. 40000000 and Up



# Ordering Replacement Parts

To order replacement parts, please supply the part number, the quantity, and the description of each part desired.

## Understanding Reference Numbers

Each identified part in an illustration has a reference number. The reference number for a part also appears in the parts list, along with other information about the part.

This catalog uses two special reference number formats, one to indicate parts in a service assembly and another to indicate the quantity of a given part in an illustration.

## Service Assembly Reference Numbers

Parts in service assemblies have reference numbers in the form a:b. The a represents the reference number of the entire service assembly and the b represents a sequential number unique to each part within the service assembly.

For example, a wheel assembly might be identified by reference number 6, the tire by 6:1, the valve by 6:2, and the wheel by 6:3. When you order the assembly identified by reference number 6, you receive all parts identified by reference numbers 6:1, 6:2, and 6:3. However, you may also order any part individually. Reference numbers of this type appear in illustration and in parts lists.

## Reference Numbers Indicating Quantity

In an illustration, if a reference number indicates more than one part, the reference number has the form nX y. The n represents the quantity of the part, the X is the multiplication symbol, and the y represents the reference number.

For example, in an illustration, the reference number 2X 37 means that two of the parts identified by reference number 37 are indicated.

# Contents

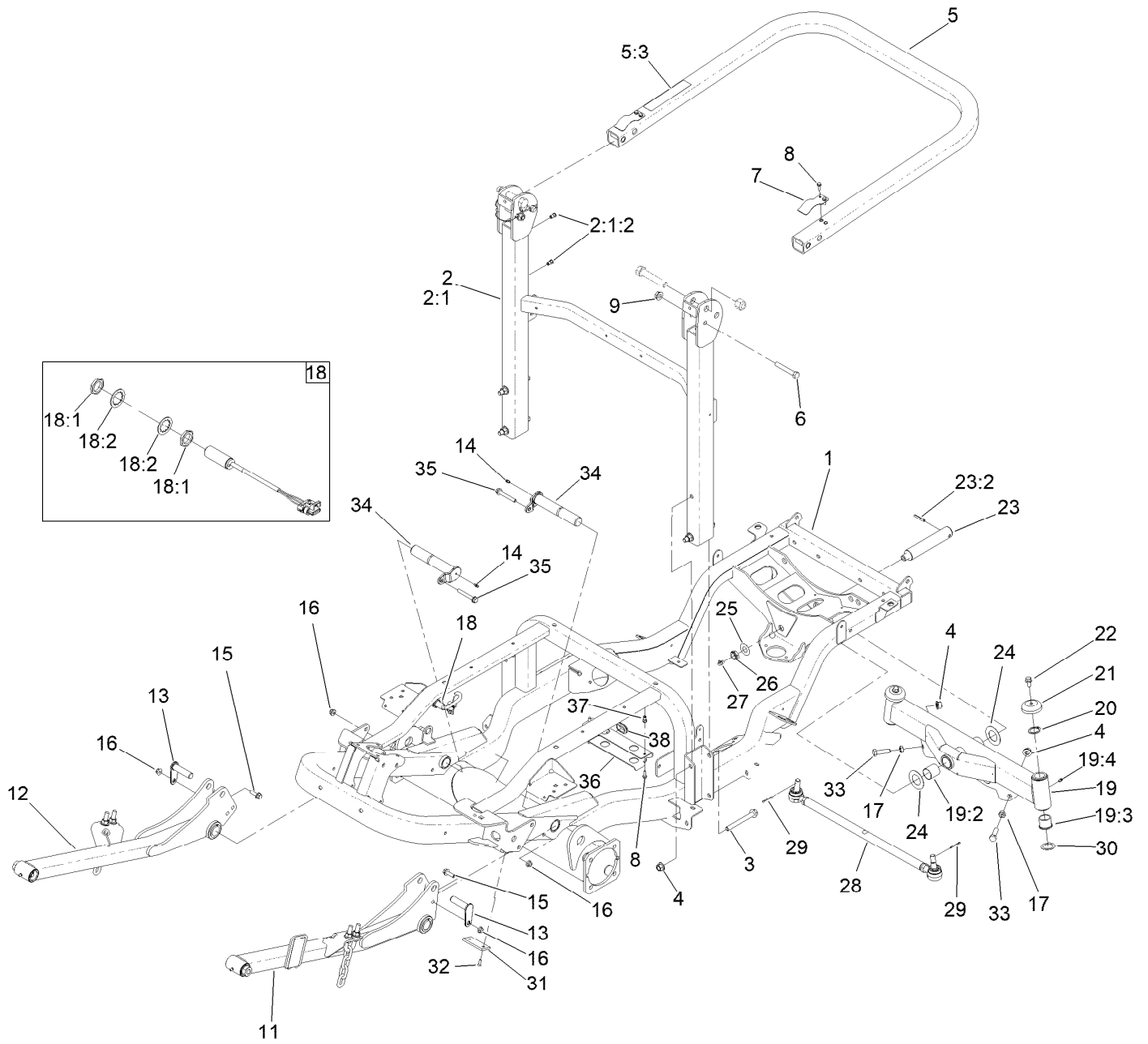
Frame and Roll-Over Protection System Assembly	6
LH Lift Arm Assembly No. 144-3943	8
RH Lift Arm Assembly No. 144-3942	10
Tie Rod Assembly No. 144-3900	12
Brake Assembly	14
Left Hand Brake Assembly No. 120-0235	16
Right Hand Brake Assembly No. 120-0233	17
Hydraulic Drive Assembly	18
Hydraulic Motor Assembly No. 137-2458	19
Hydraulic Motor Assembly No. 137-2478	20
Hydraulic Motor Assembly No. 137-2479	21
Hydraulic Motor Assembly No. 137-2459	22
Steering/Lift Manifold Assembly No. 145-6080	23
Engine Mount Assembly	25
Exhaust and Air Cleaner Assembly	27
Air Cleaner Assembly No. 136-4481	28
Radiator and Cooler Assembly	30
Fuel System Assembly	31
Fuel Tank Assembly No. 138-0291	32
Hydraulic Tank Assembly No. 138-4418	33
Platform, Steering and Console Assembly	34
Steering Column Assembly No. 139-0857	35
Pedal Assembly	36
Control Console Assembly	37
Hood Assembly	38
Pump, Driveshaft and Clutch Assembly	39
Driveshaft Assembly No. 144-0521SP	40
Hydraulic Assembly	41
Gear Pump Assembly No. 147-5115	44
Hydraulic Cylinder No. 139-0854	45
Steering Valve Assembly No. 114-8119	46
Steering Cylinder Assembly No 139-0857	48
Hydraulic Traction Assembly	49
Electrical Assembly	50
Main Wire Harness Assembly No. 122-2517	52
Seat, Firewall and Step Mount Assembly	54
Air Ride Suspension Seat Assembly No. 161-0807	55
Compressor and Belt Assembly	56
Bumper and Weight Assembly	58
Frame, Mount and Seals Assembly	60
Interior Foam and Carpet Assembly	62
Cab Mirrors Assembly	64
Decal Assembly	66
Door Assembly	68
LH Door Assembly	70
RH Door Assembly	72
Front and Rear Glass Assembly	74
Window Wiper System Assembly	76
Window Wiper Assembly	78
Window Wiper Hose Assembly	80
Heater Assembly	82
Heater Control Panel Assembly	84
Roof, Air Filter and Condenser Assembly	86
Heat Hose Assembly	88

# Contents (continued)

Electrical Component Assembly .....	90
Floor Sound Reduction Assembly .....	92
Cab Sound Reduction Assembly .....	94
Cylinder Block Assembly .....	96
Gear Housing Assembly .....	98
Flywheel Housing and Oil Sump Assembly .....	100
Cylinder Head and Cover Assembly .....	102
Suction Manifold Assembly .....	104
Exhaust Manifold Assembly .....	106
Diesel Particulate Filter Assembly .....	108
Camshaft and Driving Gear Assembly .....	110
Crankshaft and Piston Assembly .....	112
Lubrication and Oil System Assembly .....	114
Cooling Water System Assembly .....	116
Fuel Supply Pump Assembly .....	118
Fuel Injection Valve Assembly .....	120
Fuel Filter Assembly .....	122
Starting Motor Assembly .....	124
Generator Assembly .....	126
Electronic Control Unit Assembly .....	128
Electric Parts Assembly .....	130
Accessory Assembly .....	132
Gasket Set .....	134
Attachments and Accessories .....	136



# Frame and Roll-Over Protection System Assembly

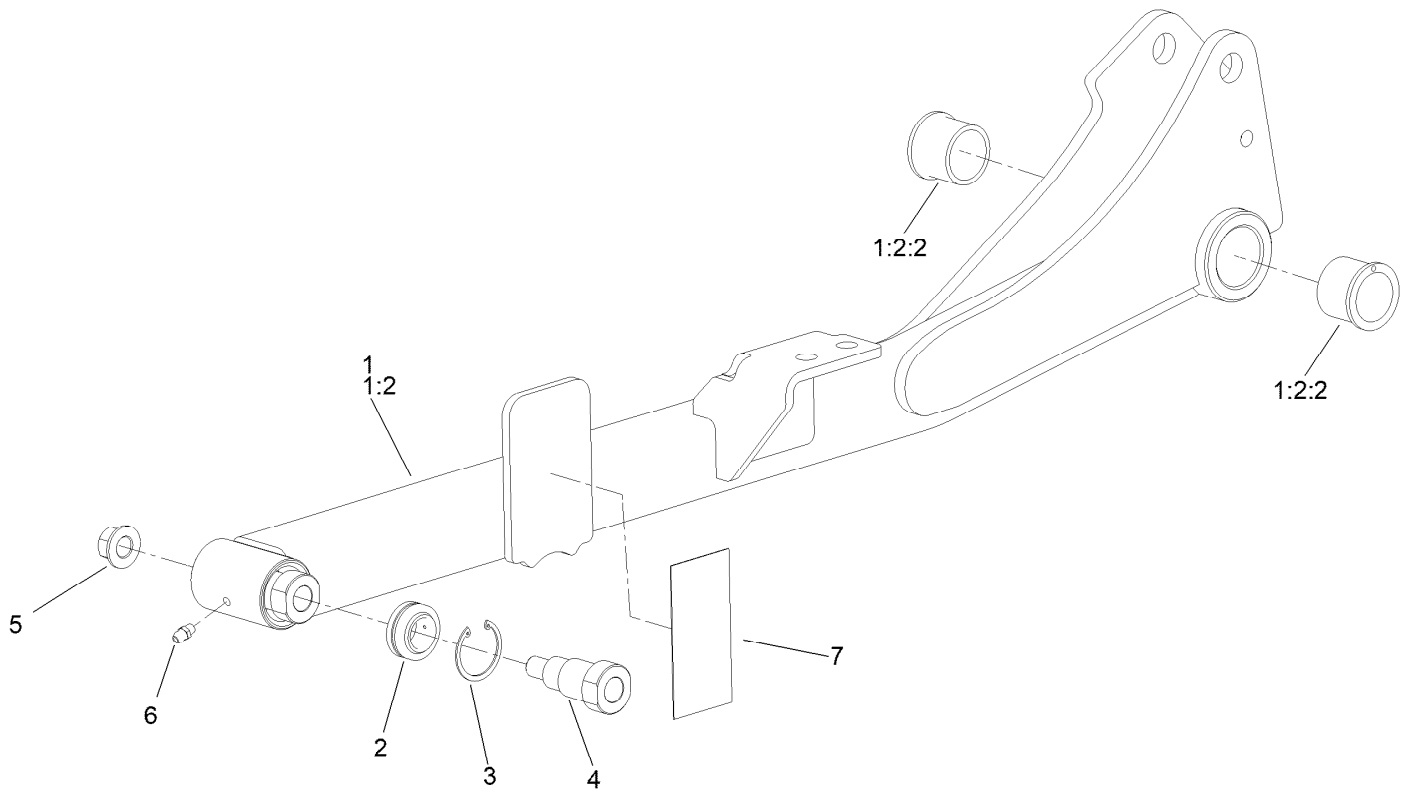


# Frame and Roll-Over Protection System Assembly (continued)

<i>Ref.</i>	<i>Part Number</i>	<i>Qty.</i>	<i>Description</i>	<i>Ref.</i>	<i>Part Number</i>	<i>Qty.</i>	<i>Description</i>
1	145-6050SP	1	Frame ASM	19:2	99-6964	2	Bushing-Axle
2	139-6254SP	1	ROPS ASM, Lower	19:3	104-0015	4	Bushing-Flange
2:1		1	ROPS ASM, Lower ●	19:4	302-5	2	Fitting-Grease
2:1:2	138-2760	4	Nut-Clinch, Hex	20	32151-77	2	Ring-Retaining, External
3	117-3176	4	Screw-HHF	21	69-8890	2	Cap-Spindle
4	99-5107	6	Nut-Lock	22	3234-1	2	Screw-HHF
5	138-7470	1	ROPS ASM, Upper	23	140-6101	1	Pin ASM-Axle Pivot
5:3	108-2073	1	Decal-Warning	23:2	32121-32	1	Pin-Roll
6	325-13	2	Screw-HH	24	99-8432	2	Washer-Thrust
7	110-5696	2	Spring-Leaf	25	71-4540	1	Washer-Thrust
8	32105-15	6	Screw-HWH	26	3296-15	1	Nut-Lock, NI
9	32128-23	2	Nut-HF	27	302-33	1	Fitting-Grease
11	144-3943	1	Lift Arm ASM. LH	28	144-3900	1	Tie Rod ASM
12	144-3942	1	Lift Arm ASM. RH	29	3272-12	2	Pin-Cotter
13	138-7489	2	Pin (Machined)	30	76-2980	2	Washer-Thrust
14	302-5	2	Fitting-Grease	31	138-4452	2	Pad-Stop, Deck
15	119-4061	2	Screw-HHF	32	3289-4	4	Screw-FH
16	104-8301	4	Nut-HF, NI	33	325-7	2	Screw-HH
17	3218-5	2	Nut-Jam	34	138-4593	2	Pin
18	115-5300	1	Proximity Switch ASM	35	133-9682	2	Screw-Hfh
18:1	117-3207	2	Nut-Hex	36	147-0045-0P	1	Channel-Harness Retainer
18:2	117-3208	2	Washer-Lock, Internal Tooth	37	138-2758	2	Nut-Clinch,Hex
19	138-4588	1	Axle ASM	38	240-5	1	Grommet

● Not serviced separately

# LH Lift Arm Assembly No. 144-3943



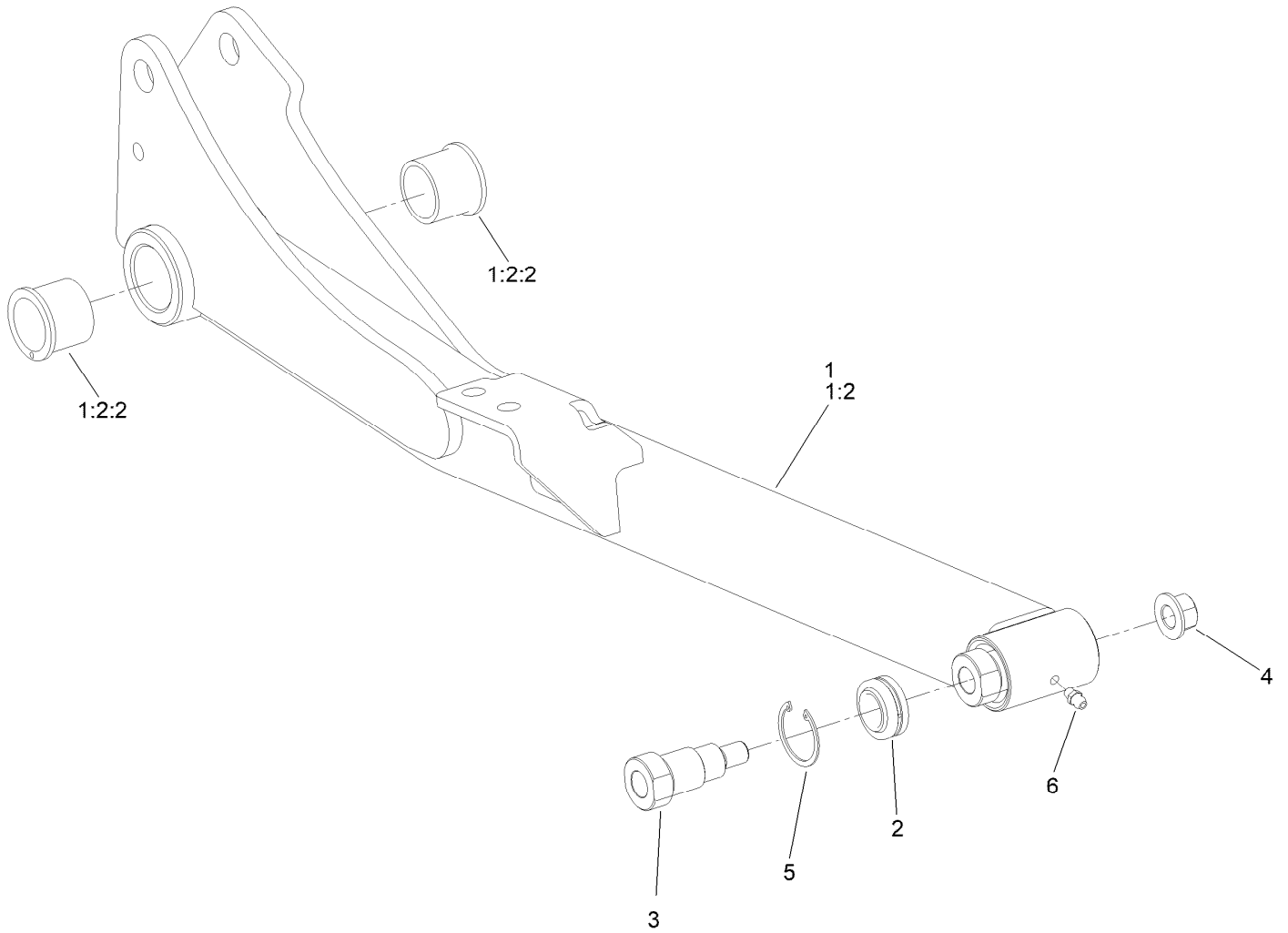


# LH Lift Arm Assembly No. 144-3943 (continued)

<i>Ref.</i>	<i>Part Number</i>	<i>Qty.</i>	<i>Description</i>	<i>Ref.</i>	<i>Part Number</i>	<i>Qty.</i>	<i>Description</i>
1		1	Lift Arm ASM, LH ●	4	139-0910	1	Bolt-Shoulder
1:2		1	Hub-ASM ●	5	99-5107	1	Nut-Lock
1:2:2	104-0015	2	Bushing-Flange	6	302-5	1	Fitting-Grease
2	105-7441	1	Bearing-Spherical	7	139-0948	1	Pad-Ride, Pin
3	32151-34	1	Ring-Retaining				

● Not serviced separately

# RH Lift Arm Assembly No. 144-3942

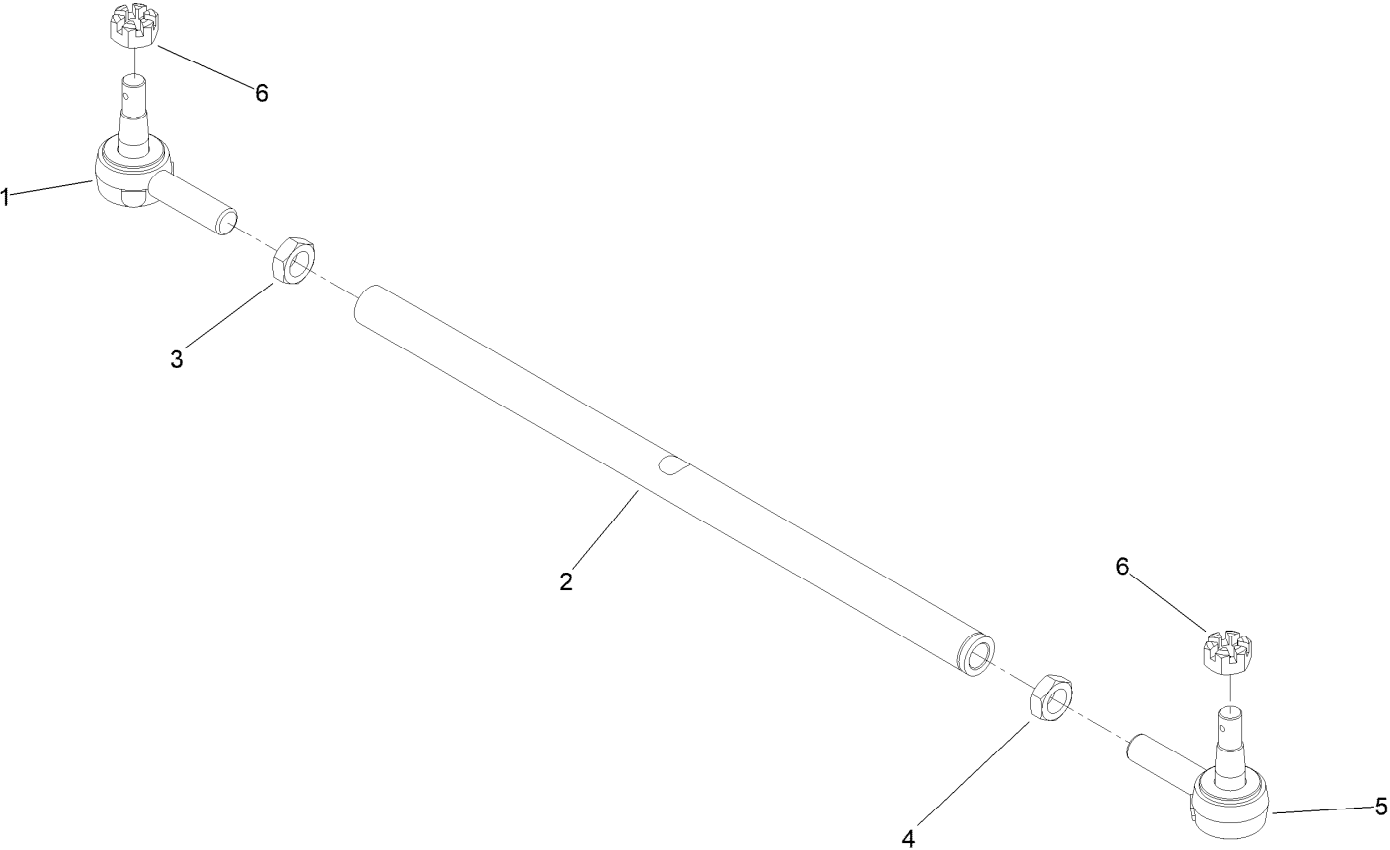


# RH Lift Arm Assembly No. 144-3942 (continued)

<i>Ref.</i>	<i>Part Number</i>	<i>Qty.</i>	<i>Description</i>	<i>Ref.</i>	<i>Part Number</i>	<i>Qty.</i>	<i>Description</i>
1		1	Lift Arm ASM, RH ●	3	139-0910	1	Bolt-Shoulder
1:2		1	Hub-ASM ●	4	99-5107	1	Nut-Lock
1:2:2	104-0015	2	Bushing-Flange	5	32151-34	1	Ring-Retaining
2	105-7441	1	Bearing-Spherical	6	302-5	1	Fitting-Grease

● Not serviced separately

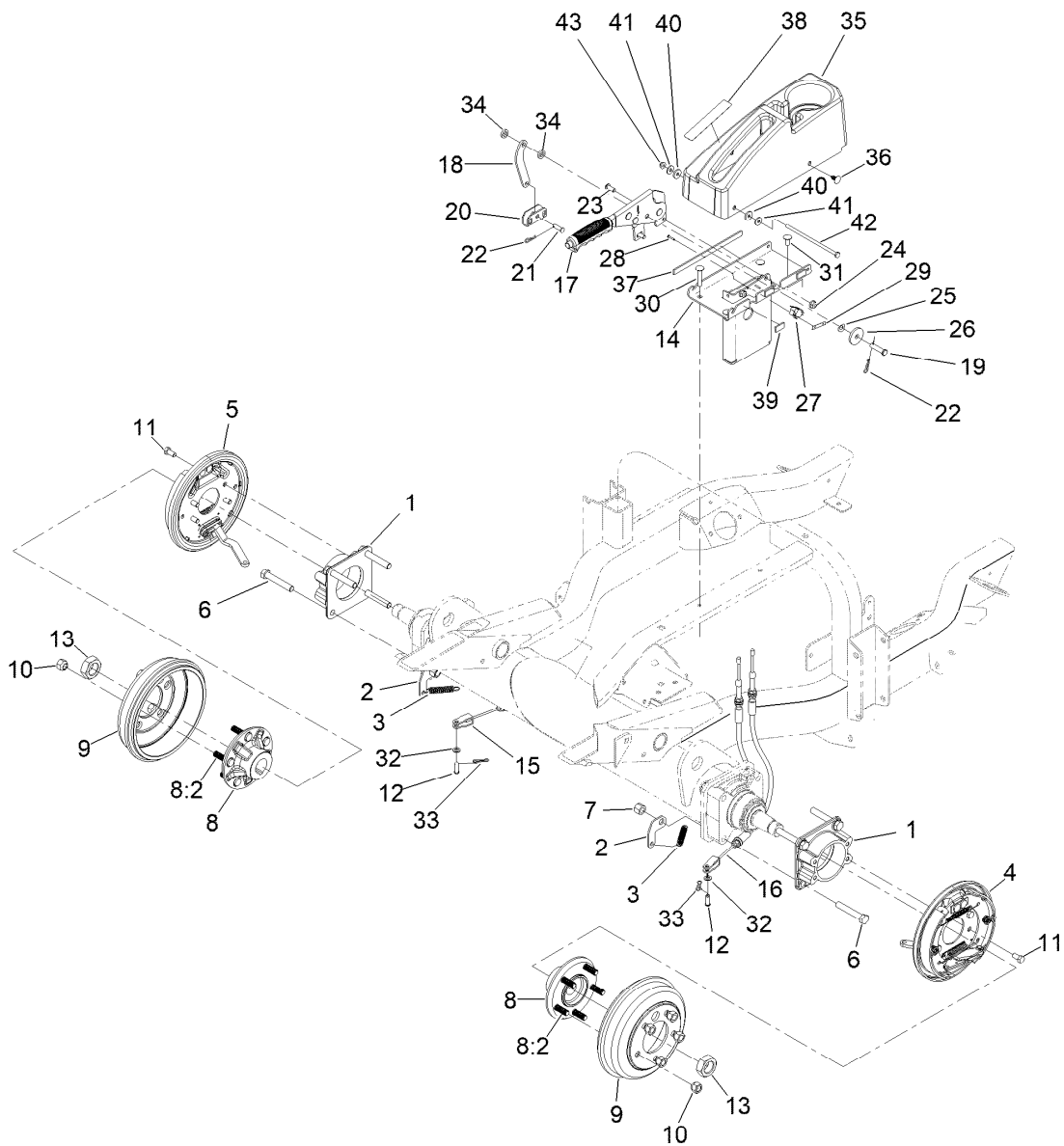
# Tie Rod Assembly No. 144-3900



## Tie Rod Assembly No. 144-3900 (continued)

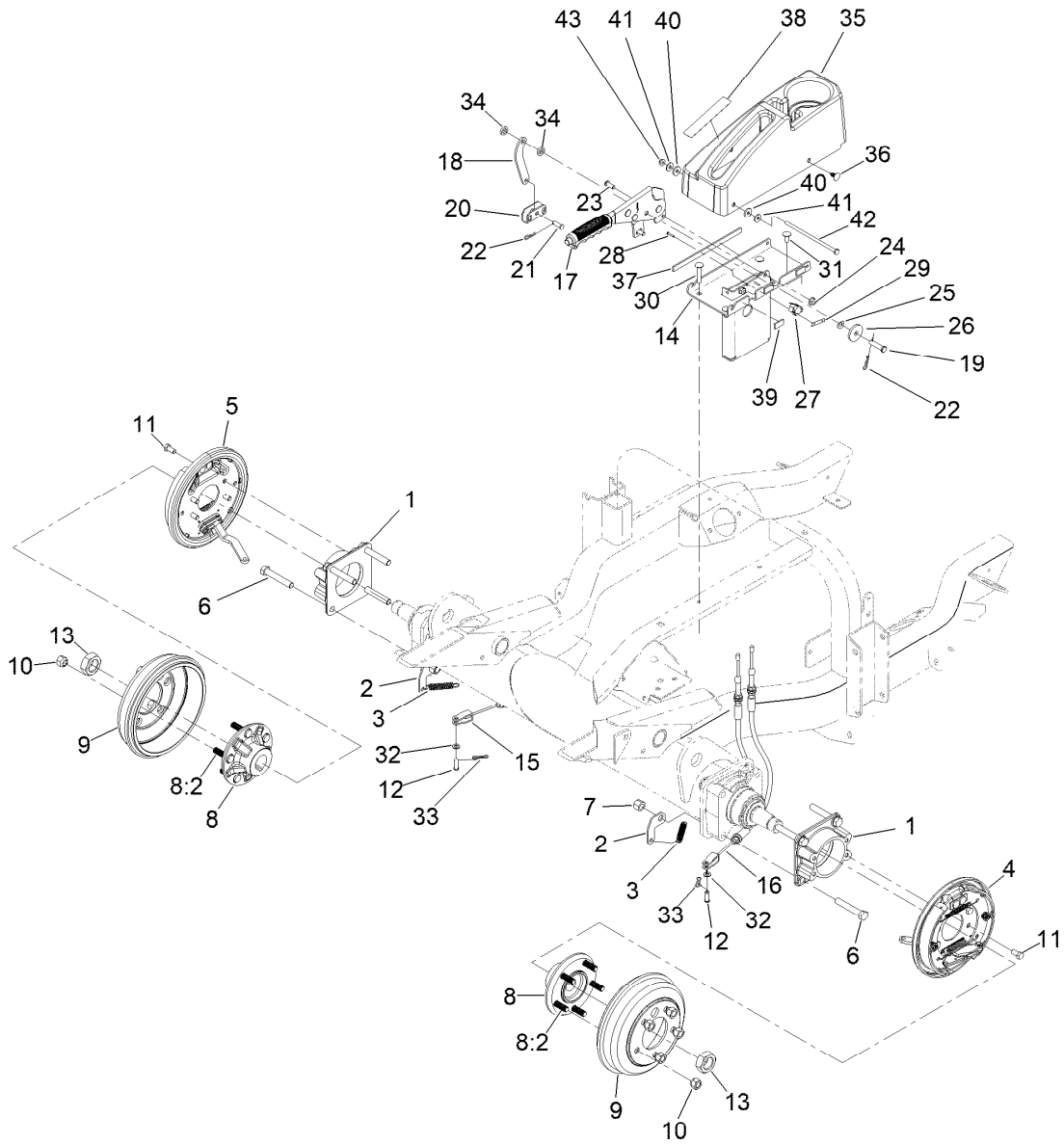
<i>Ref.</i>	<i>Part Number</i>	<i>Qty.</i>	<i>Description</i>
1	144-3901	1	Tie Rod End
2	133-6463	1	Tie-Rod
3	84-5300	1	Nut-Jam

<i>Ref.</i>	<i>Part Number</i>	<i>Qty.</i>	<i>Description</i>
4	110-5337	1	Nut-Jam
5	144-3902	1	Tie Rod End
6	140-6135	2	Nut-Hex, Slotted



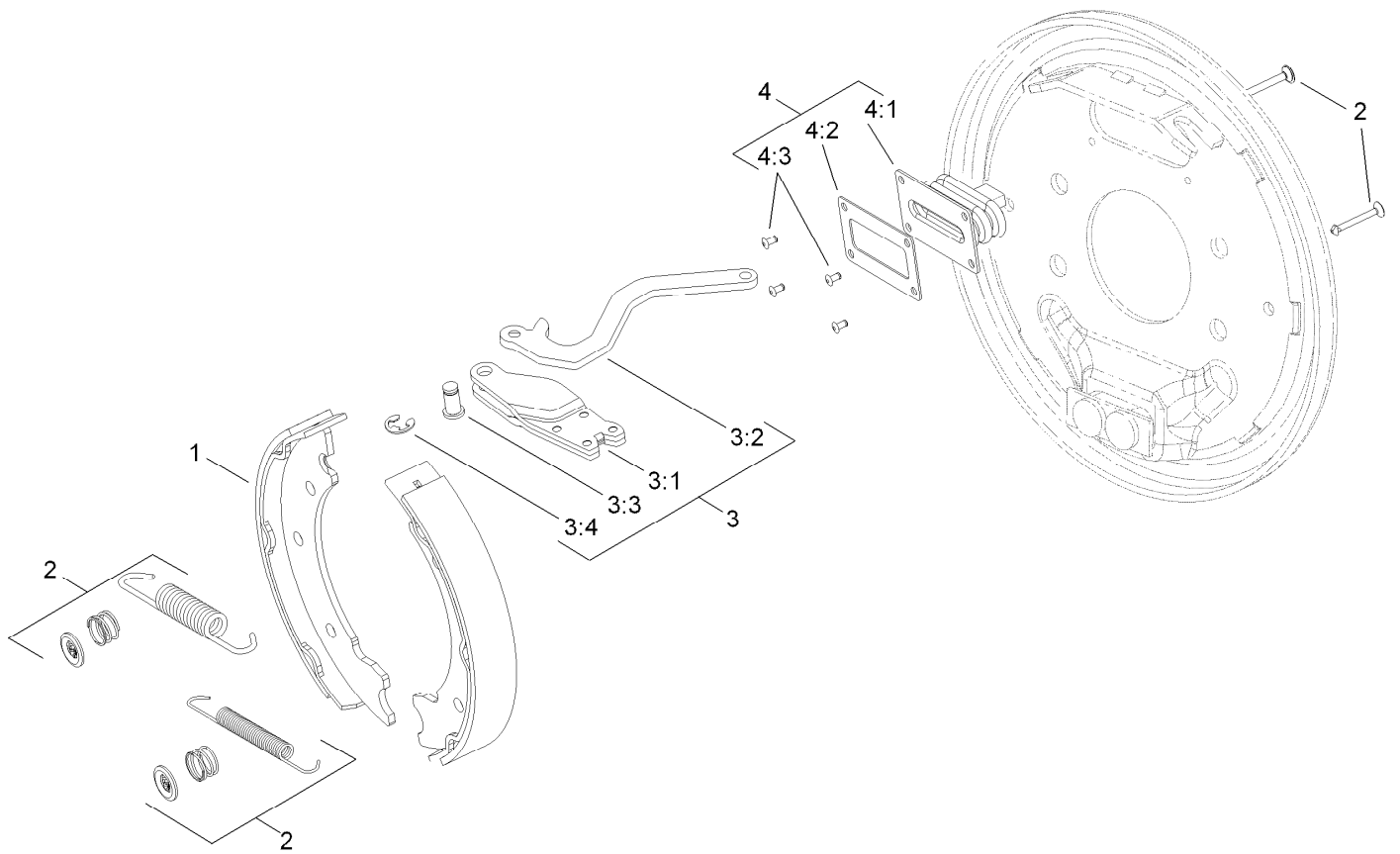
## Brake Assembly

Ref.	Part Number	Qty.	Description	Ref.	Part Number	Qty.	Description
1	120-6253-03	2	Adapter-Brake	20	87-3480	1	Bracket-Equalizer, Cable
2	138-4499	2	Clip-Spring	21	1-808280	1	Pin-Clevis
3	137-2591	2	Spring-Extension	22	1-806003	2	Pin-Cotter
4	120-0235	1	LH Brake ASM	23	3274-55	2	Screw-HSBH
5	120-0233	1	RH Brake ASM	24	104-8300	6	Nut-HF, NI
6	325-12	8	Screw-HH	25	121-4605	1	Washer-Spring
7	3296-23	8	Nut-Lock, NI	26	131-8496	1	Washer-Plain
8	137-2470	2	Hub ASM	27	108-6496	1	Switch (W/Boot)
8:2	114-3918	5	Stud-Wheel	28	95-3003	2	Screw-PPHTF
9	114-8864	2	Drum-Brake	29	3290-354	1	Nut-Speed
10	242-50	10	Nut-Lug	30	116-0629	2	Screw-CARR
11	323-4	8	Screw-HH	31	3230-23	2	Bolt-CARR
12	283-58	2	Pin-Clevis	32	3256-74	2	Washer-Flat
13	107-9319	2	Nut-Hex	33	119-1415	2	Pin-Cotter, Locking
14	147-0064-0P	1	Parking Brake Mount [primed]	34	3-3287	2	Spacer
15	137-2640	1	Cable-Brake, Adjustable RH	35	138-7475	1	Cover-Brake, Parking
16	137-2641	1	Cable-Brake, Adjustable LH	36	117-2382	2	Plug-Plastic
17	131-8320	1	Lever-Brake, Park	37	132-7282	1	Strip-Foam
18	144-0516	1	Link-Park, Brake	38	139-6224	1	Decal-Brake, Parking
19	283-10	1	Pin-Clevis	39	115-5417	3	Strip-Foam
				40	144-0499	2	Washer-Epdm



## Brake Assembly (continued)

<i>Ref.</i>	<i>Part Number</i>	<i>Qty.</i>	<i>Description</i>	<i>Ref.</i>	<i>Part Number</i>	<i>Qty.</i>	<i>Description</i>
41	3256-78	2	Washer-Flat	42	321-21	1	Screw-HH
				43	104-7201	1	Nut-HF, NI

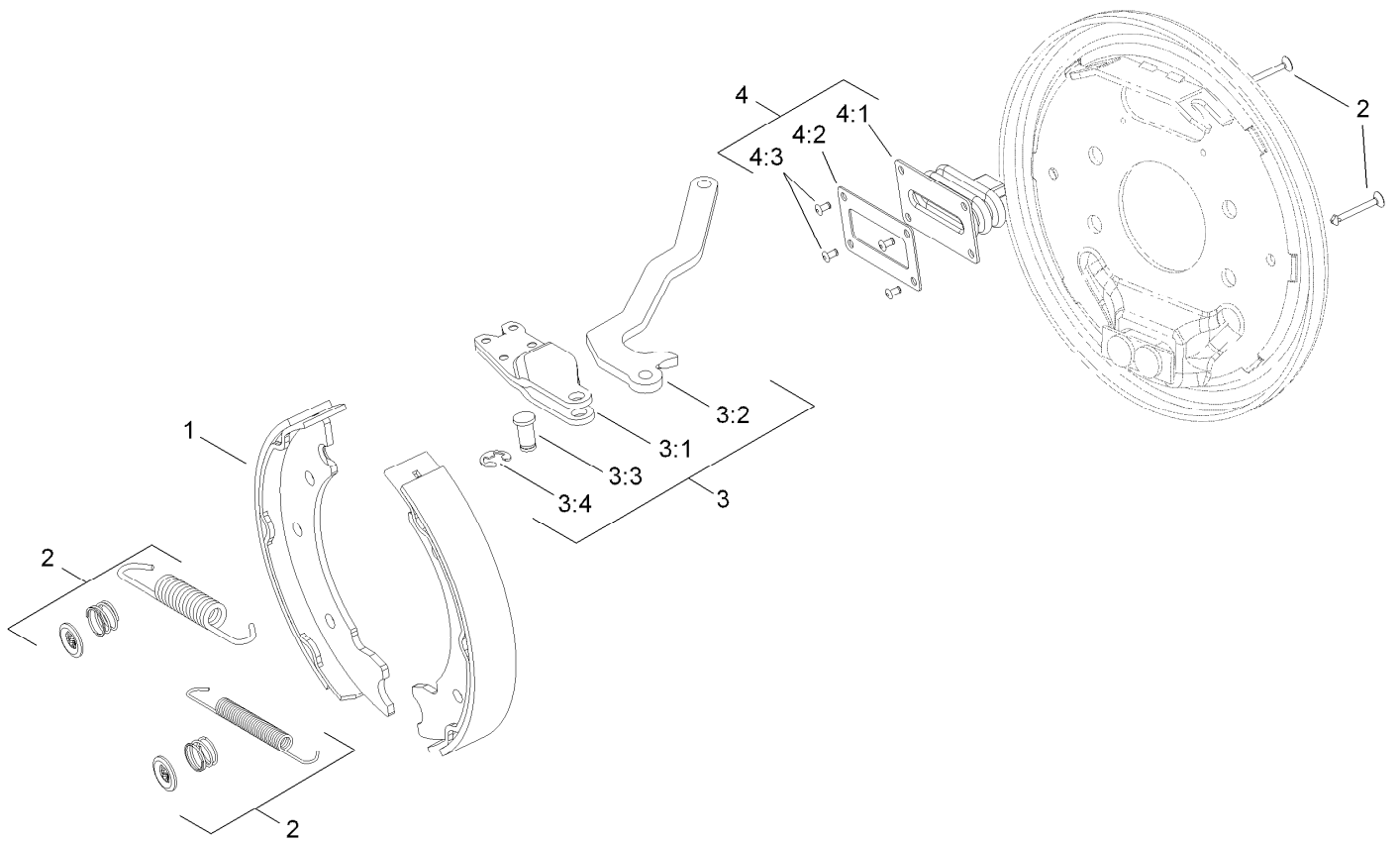


## Left Hand Brake Assembly No. 120-0235

Ref.	Part Number	Qty.	Description
1	139-5950	1	Brake Shoe Kit
2	108-6983	1	Brake Hardware Kit
3	120-0236	1	LH Actuator Kit
3:1		1	Housing ●
3:2		1	Lever-LH ●
3:3		1	Pin-Pivot ●
3:4		1	E-Ring ●
4	110-8885	1	Dust Boot Kit
4:1		1	Boot ●
4:2		1	Plate-Back Up ●
4:3		2	Rivet ●

● Not serviced separately

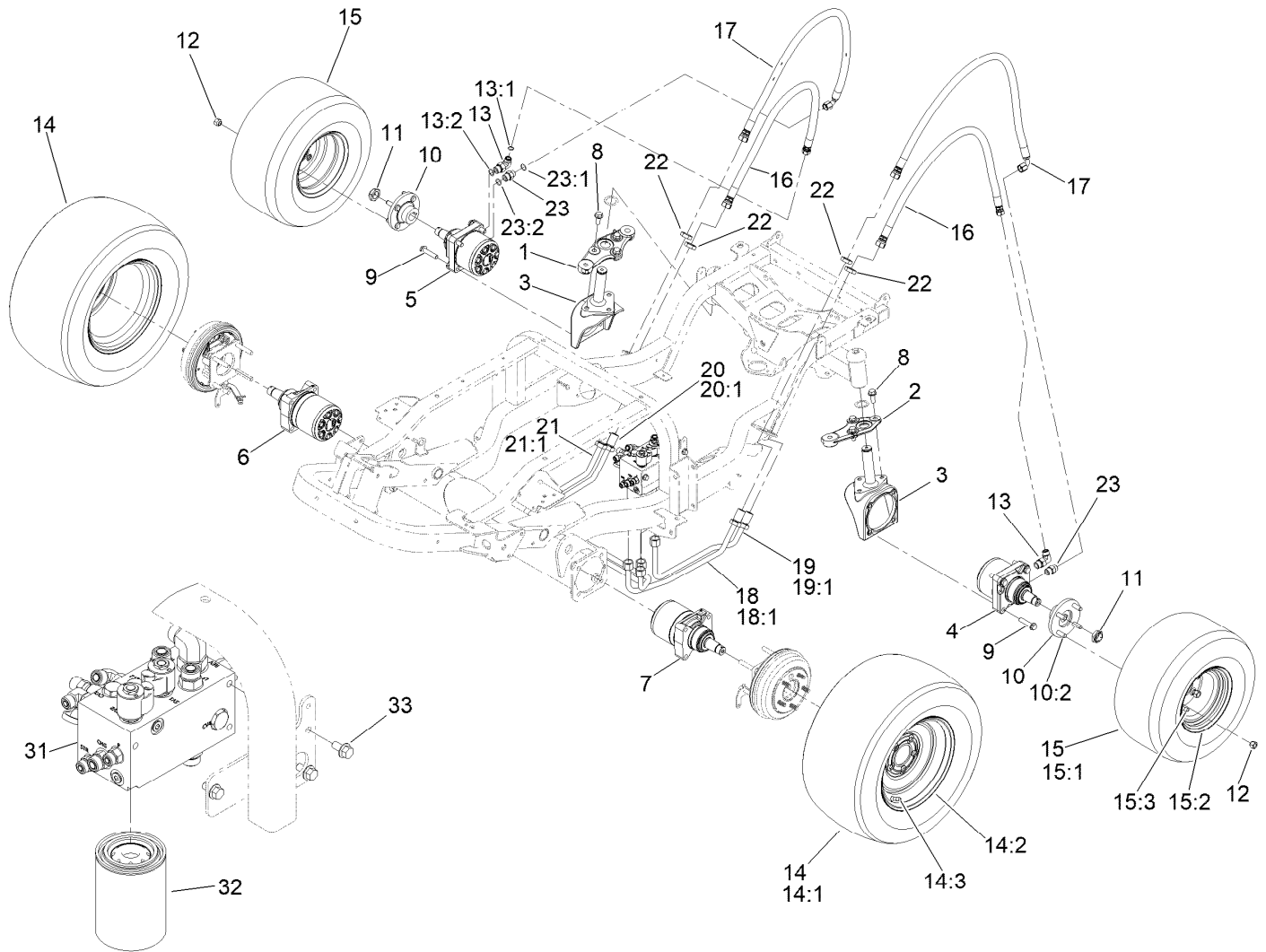




## Right Hand Brake Assembly No. 120-0233

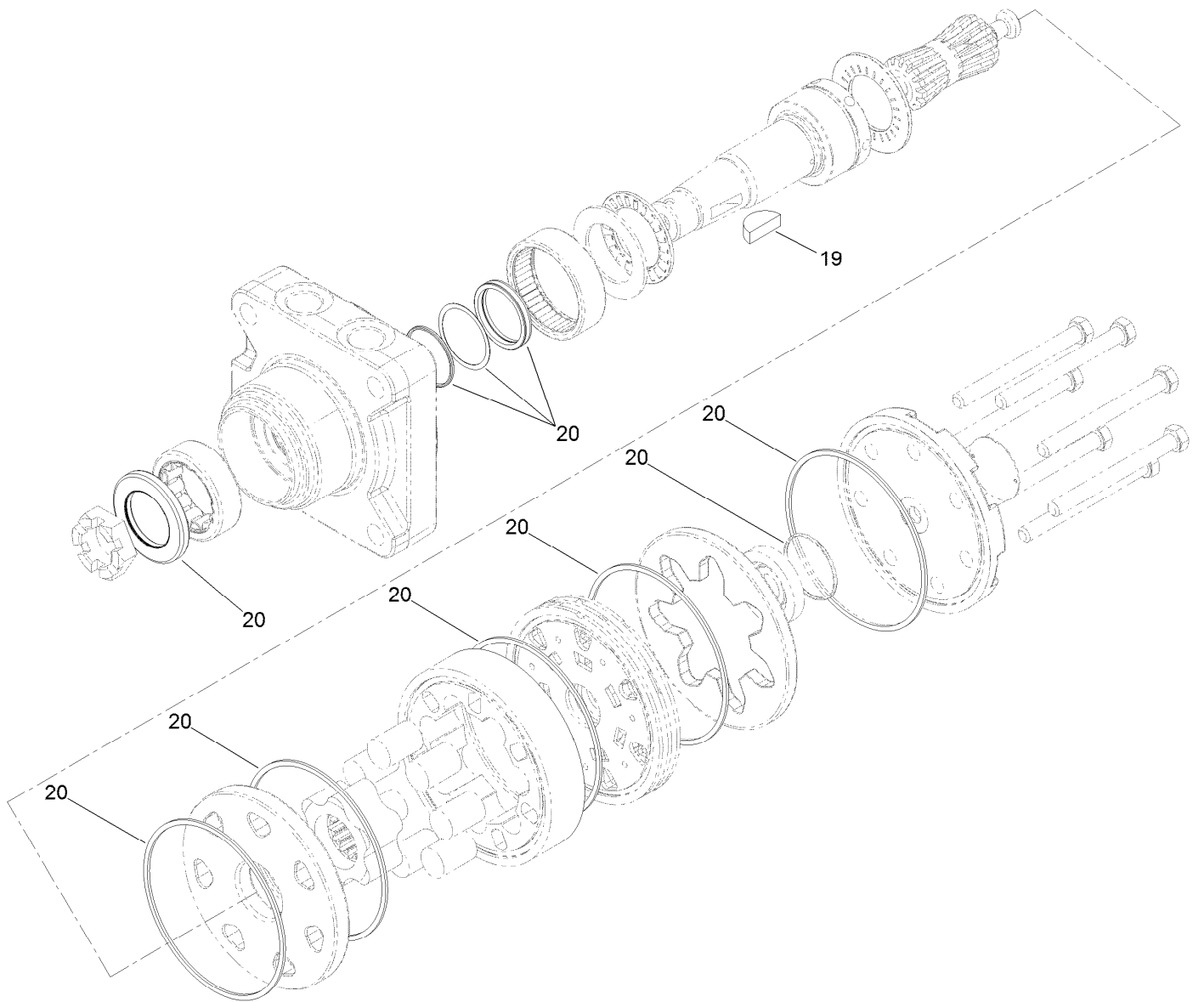
Ref.	Part Number	Qty.	Description
1	139-5950	1	Brake Shoe Kit
2	108-6983	1	Brake Hardware Kit
3	120-0234	1	RH Actuator Kit
3:1		1	Housing ●
3:2		1	Lever-RH ●
3:3		1	Pin-Pivot ●
3:4		1	E-Ring ●
4	110-8885	1	Dust Boot Kit
4:1		1	Boot ●
4:2		1	Plate-Back Up ●
4:3		2	Rivet ●

● Not serviced separately



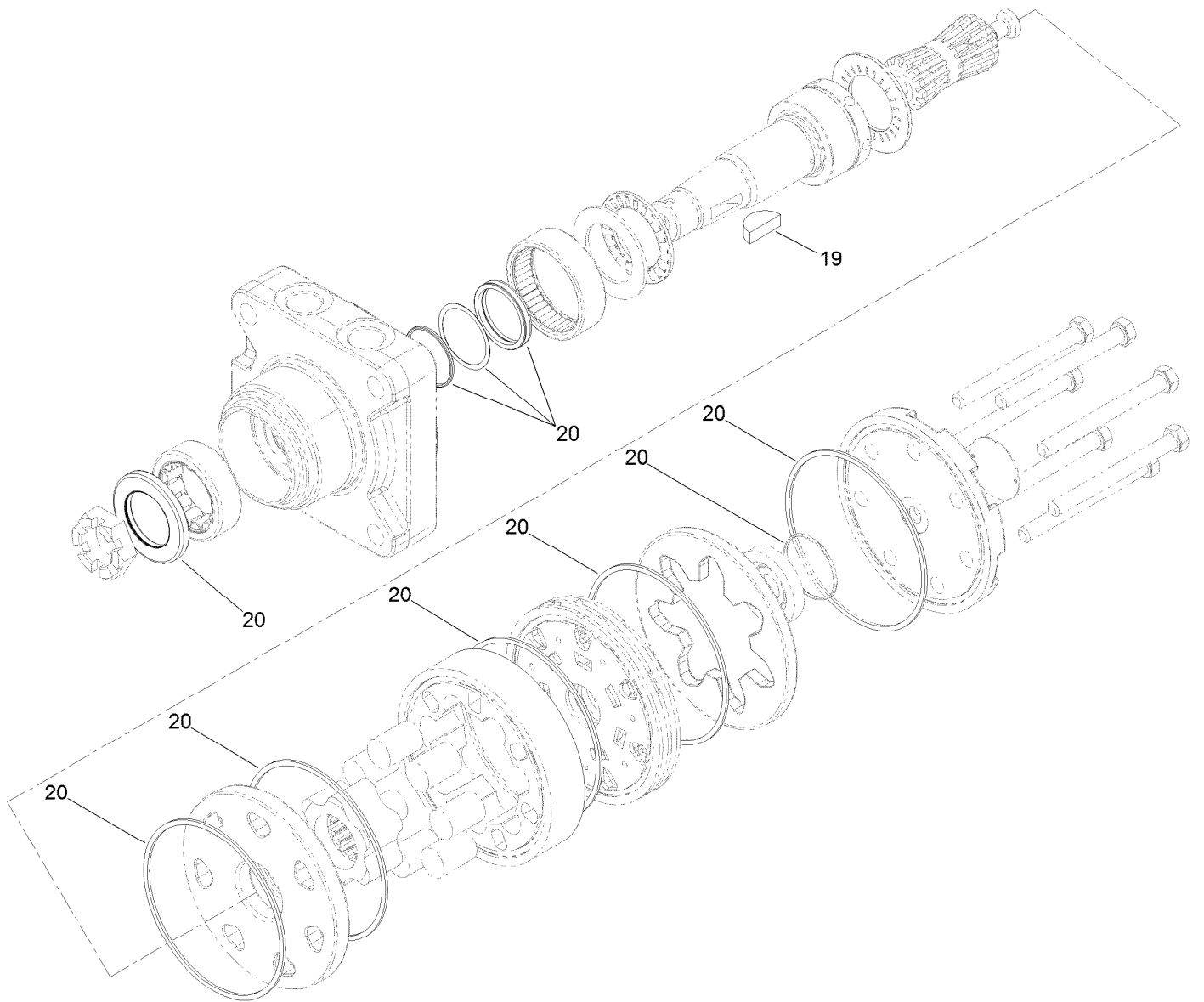
## Hydraulic Drive Assembly

Ref.	Part Number	Qty.	Description	Ref.	Part Number	Qty.	Description
1	140-3142	1	Link-Drag, RH	15:1	137-2596	1	Tire
2	140-3144	1	Link-Drag, LH	15:2	137-2597	1	Rim
3	107-4517-03	2	Housing-Motor	15:3	232-27	1	Stem-Valve
4	137-2458	1	Motor-Hydraulic, CCW	16	144-3929	2	Hose ASM, Hydraulic
5	137-2478	1	Motor-Hydraulic, CW	17	144-3928	2	Hose ASM, Hydraulic
6	137-2479	1	Motor-Hydraulic, CW	18	138-0334	1	Hydraulic Tube ASM
7	137-2459	1	Motor-Hydraulic, CCW	18:1	237-65	1	O-Ring
8	3234-38	6	Screw-HHF	19	138-0335	1	Hydraulic Tube ASM
9	3234-46	8	Screw-HHF	19:1	237-65	1	O-Ring
10	147-0098	2	Hub ASM	20	145-6069	1	Hydraulic Tube ASM
10:2	147-0130	4	Stud-Wheel	20:1	237-65	1	O-Ring
11	107-9319	2	Nut-Hex	21	145-6071	1	Hydraulic Tube ASM
12	242-50	8	Nut-Lug	21:1	237-65	1	O-Ring
13	340-105	2	Fitting-Elbow, 90 DEG	22	340-74	4	Nut-Lock, Bulkhead
13:1	237-80	1	O-Ring	23	340-6	2	Fitting-Straight
13:2	237-30	1	O-Ring	23:1	237-30	1	O-Ring
14	137-2590	2	Wheel ASM	23:2	237-80	1	O-Ring
14:1	137-2594	1	Tire	31	145-6080	1	Manifold Steering/Lift-4Wd
14:2	137-2595	1	Rim	32	86-3010	1	Filter-Oil
14:3	232-27	1	Stem-Valve	33	3234-1	3	Screw-HHF
15	137-2592	2	Wheel ASM				



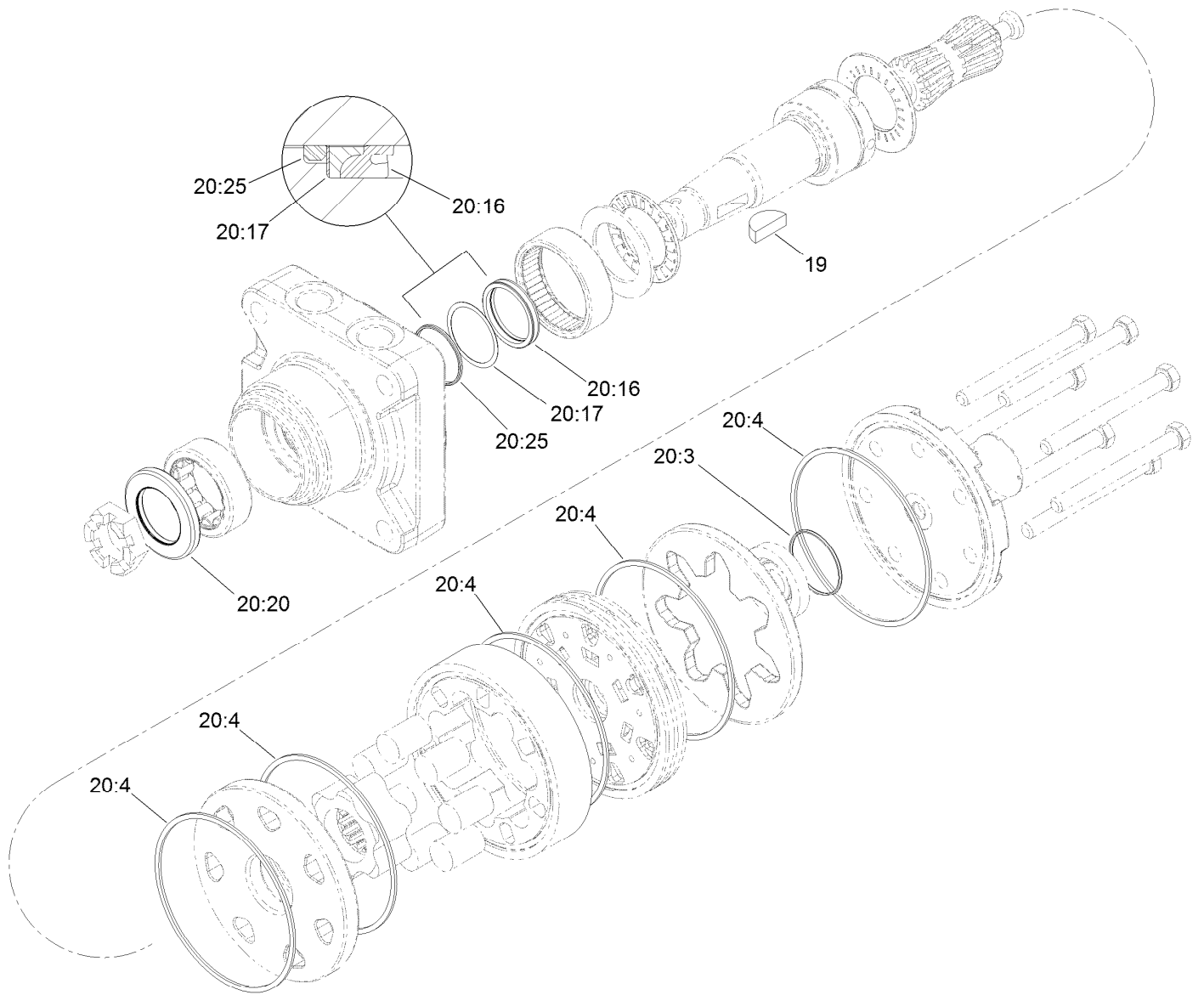
## Hydraulic Motor Assembly No. 137-2458

<i>Ref.</i>	<i>Part Number</i>	<i>Qty.</i>	<i>Description</i>
19	3257-42	1	Key-Woodruff
20	110-8896	1	Seal Kit



## Hydraulic Motor Assembly No. 137-2478

<i>Ref.</i>	<i>Part Number</i>	<i>Qty.</i>	<i>Description</i>
19	3257-42	1	Key-Woodruff
20	110-8896	1	Seal Kit

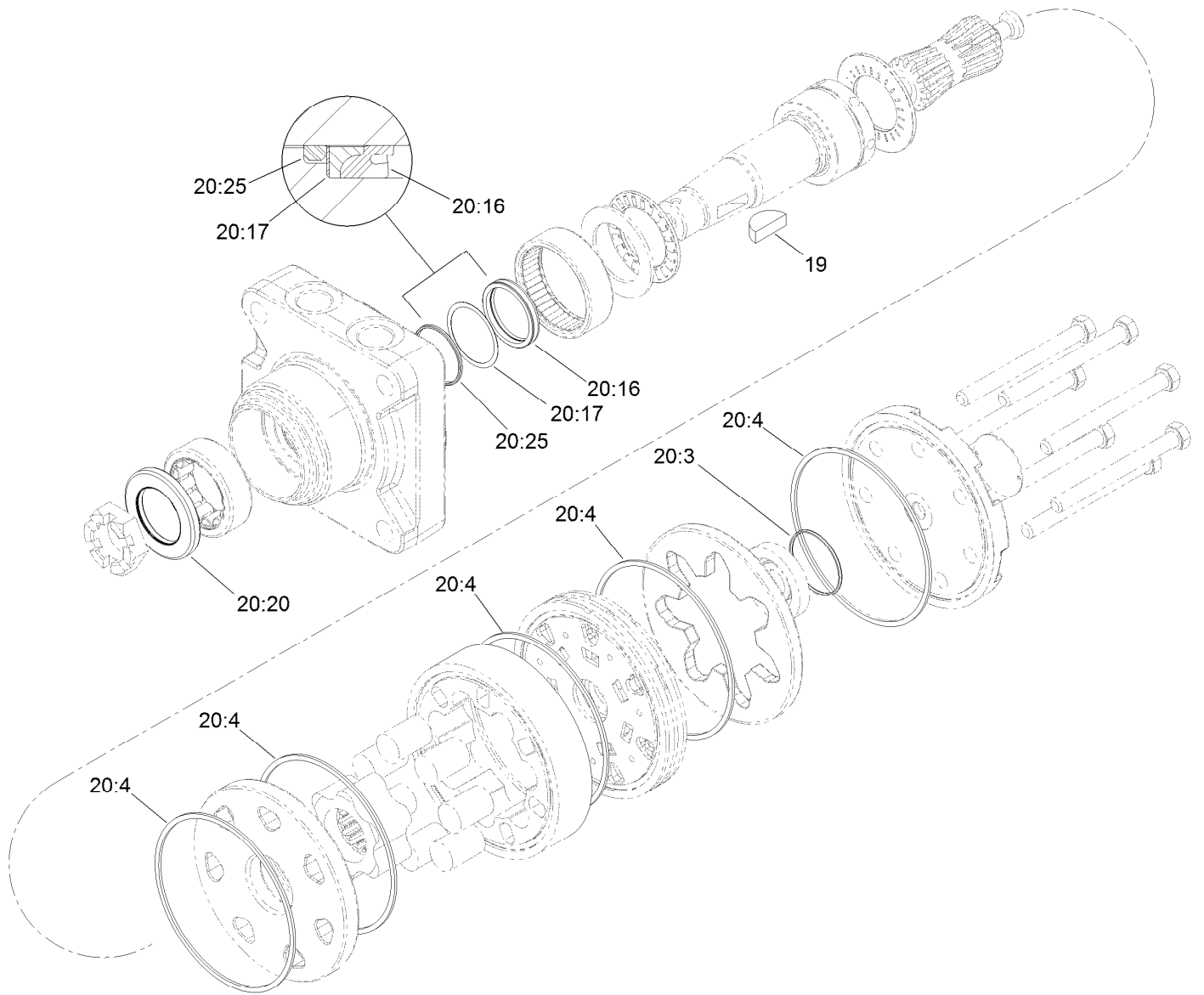


## Hydraulic Motor Assembly No. 137-2479

<i>Ref.</i>	<i>Part Number</i>	<i>Qty.</i>	<i>Description</i>
19	3257-42	1	Key-Woodruff
20	110-8896	1	Seal Kit ●
20:3		1	Seal-Commutator, Vespel ■
20:4		6	Seal-Body, Buna ■
20:16		1	Seal-Shaft ■
20:17		1	Washer-Back Up ■
20:20		1	Seal-Dirt/Water ■
20:25		1	Ring-Back Up ■

● Not illustrated

■ Not serviced separately



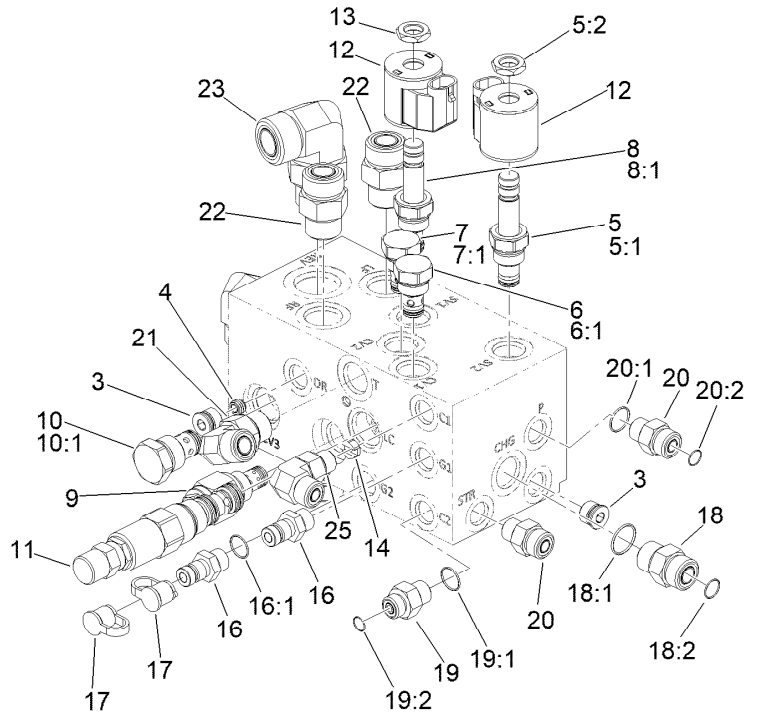
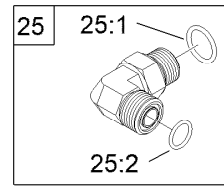
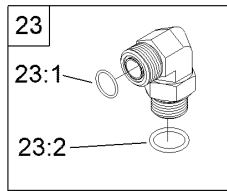
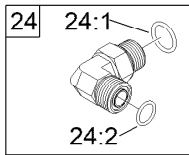
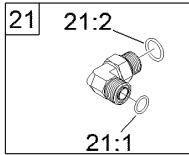
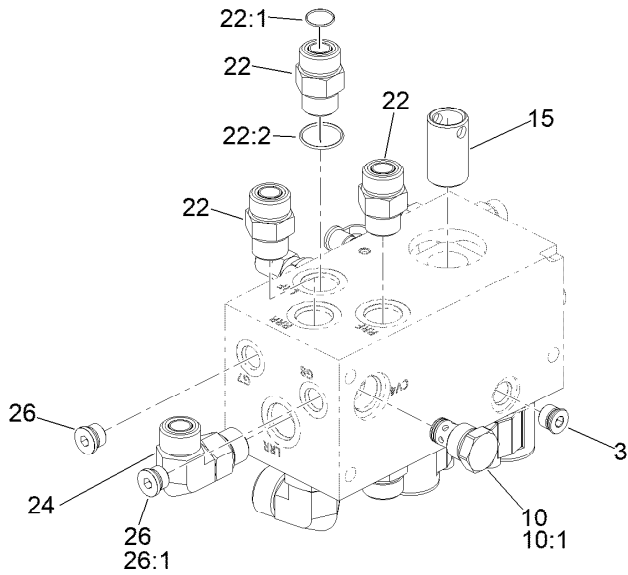
## Hydraulic Motor Assembly No. 137-2459

Ref.	Part Number	Qty.	Description
19	3257-42	1	Key-Woodruff
20	110-8896	1	Seal Kit ●
20:3		1	Seal-Commutator, Vespel ■
20:4		6	Seal-Body, Buna ■
20:16		1	Seal-Shaft ■
20:17		1	Washer-Back Up ■
20:20		1	Seal-Dirt/Water ■
20:25		1	Ring-Back Up ■

● Not illustrated

■ Not serviced separately





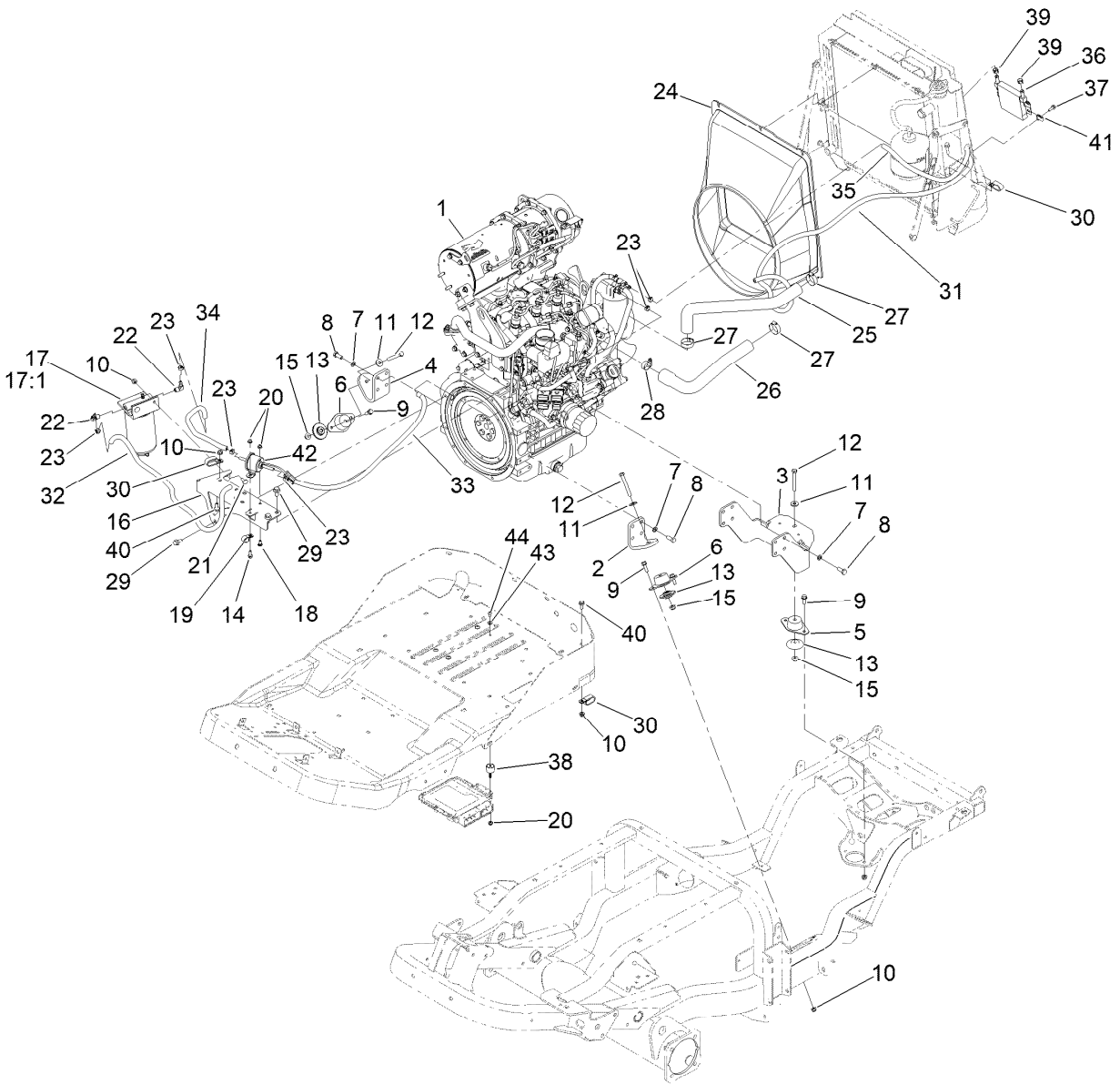
## Steering/Lift Manifold Assembly No. 145-6080 (continued)

Ref.	Part Number	Qty.	Description
22:1	237-65	1	O-Ring
22:2	237-80	1	O-Ring
23	340-142	1	Fitting-Elbow, 90 DEG
23:1	237-58	1	O-Ring
23:2	237-81	1	O-Ring
24	340-17	1	Fitting-Elbow, 90 DEG
24:1	237-65	1	O-Ring

Ref.	Part Number	Qty.	Description
24:2	237-80	1	O-Ring
25	340-77	1	Fitting-Elbow, 90 DEG
25:1	237-22	1	O-Ring
25:2	237-42	1	O-Ring
26	353-989	2	Plug-Hex, Hollow
26:1	237-42	1	O-Ring

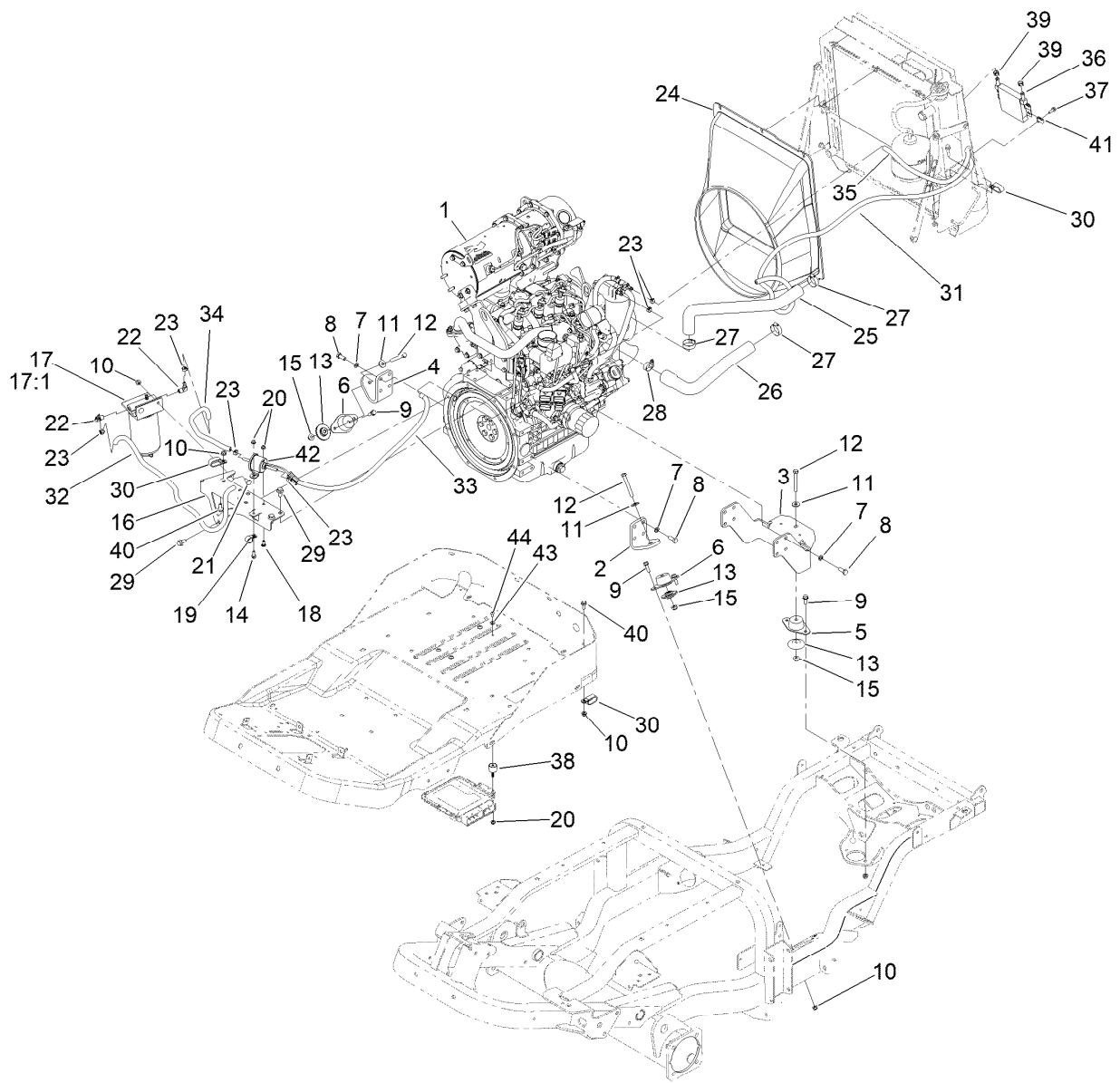
● Not illustrated





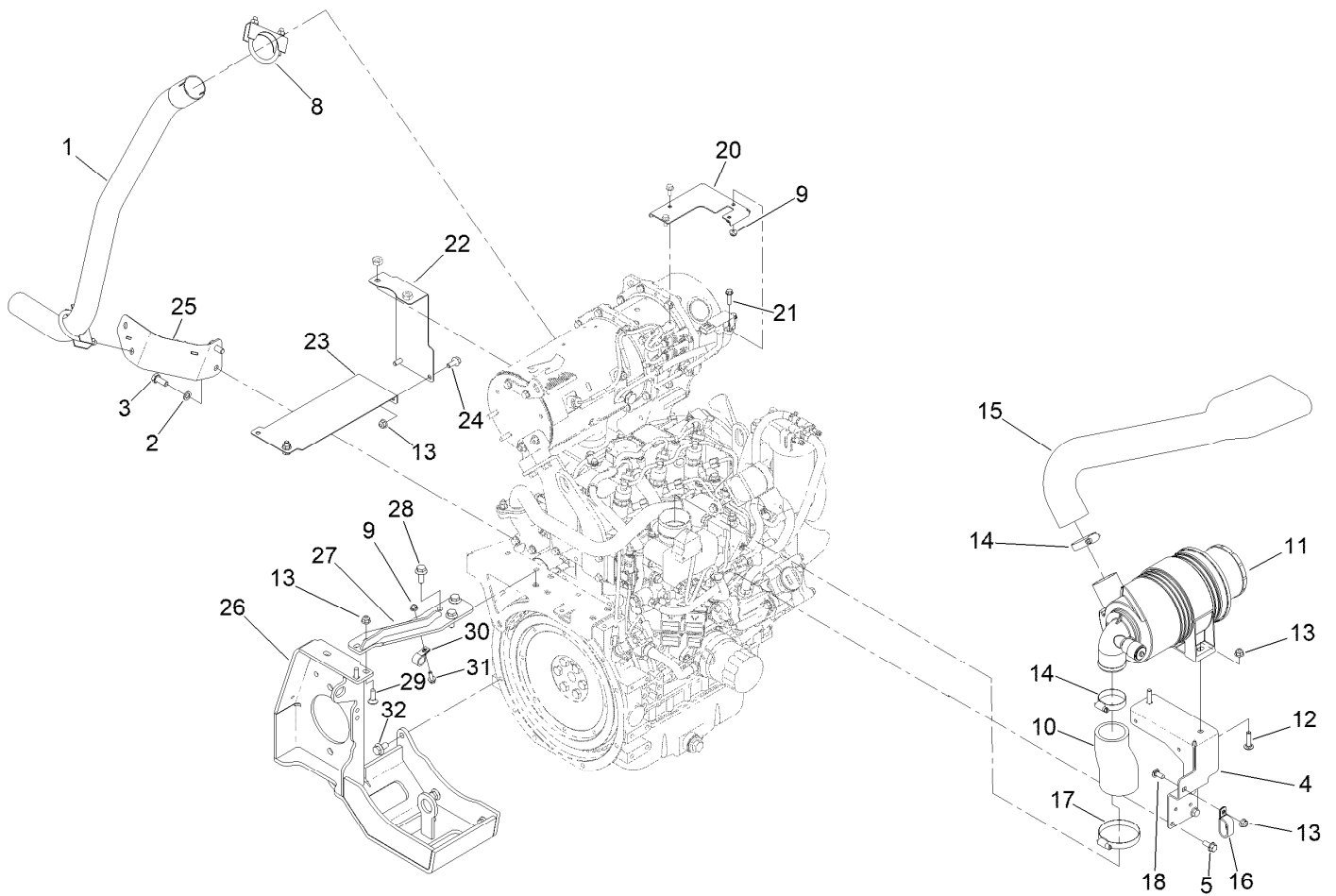
## Engine Mount Assembly

<i>Ref.</i>	<i>Part Number</i>	<i>Qty.</i>	<i>Description</i>	<i>Ref.</i>	<i>Part Number</i>	<i>Qty.</i>	<i>Description</i>
1	139-6183	1	Engine-Yanmar 3Tnv88C-Dtr6	18	1-807512	1	Bolt-CARR
2	138-0409-0P	1	Mount-Engine, LH Front	19	2412-87	1	Clamp-Cable
3	138-0410-0P	1	Mount-Engine, Rear 37HP [primed]	20	104-7201	6	Nut-HF, NI
4	138-0408-0P	1	Mount-Engine, RH Front	21	3230-10	2	Bolt-CARR
5	120-6274	1	Mount-Engine	22	353-781	2	Fitting-HYD, 90
6	139-0856	2	Mount-Engine	23	92-2379	6	Clamp-Hose
7	48-9590	14	Washer-Lock	24	138-0419	1	Shroud-Fan
8	33115-025	14	Screw-HH	25	138-0429	1	Hose-Radiator, Upper
9	3234-29	6	Screw-HHF	26	138-0430	1	Hose-Radiator, Lower
10	104-8300	10	Nut-HF, NI	27	2412-34	3	Clamp-Hose
11	80-6990	3	Washer-Hardened	28	2412-3	1	Clamp-Hose
12	323-14	3	Screw-HH	29	33105-020	1	Screw-HHF
13	138-6462	3	Support-Isolator	30	120-1959	3	Clamp
14	120-9678	1	Screw-HHF	31	139-6255	1	Hose-Fuel
15	104-8301	3	Nut-HF, NI	32	126-1805	1	Hose-Fuel
16	144-4098-0P	1	Bracket-Filter Mount [primed]	33	110-3257	1	Hose-Fuel
17	125-2914	1	Filter-Separator	34	110-4101	1	Hose-Fuel
17:1	125-2915	1	Filter-Fuel/Water Separator	35	139-6276	1	Hose-Fuel
				36	116-7205	1	Cooler
				37	3234-4	4	Screw-HHF
				38	139-6176	4	Mount-ISO



## Engine Mount Assembly (continued)

<i>Ref.</i>	<i>Part Number</i>	<i>Qty.</i>	<i>Description</i>	<i>Ref.</i>	<i>Part Number</i>	<i>Qty.</i>	<i>Description</i>
39	103-1988	2	Clamp-Hose	42	121-5613	1	Pump-Fuel, Electric
40	3234-47	2	Screw-HHF	43	3256-1	4	Washer-Flat
41	107069	4	Clip	44	135-6367	4	Screw-HSBH

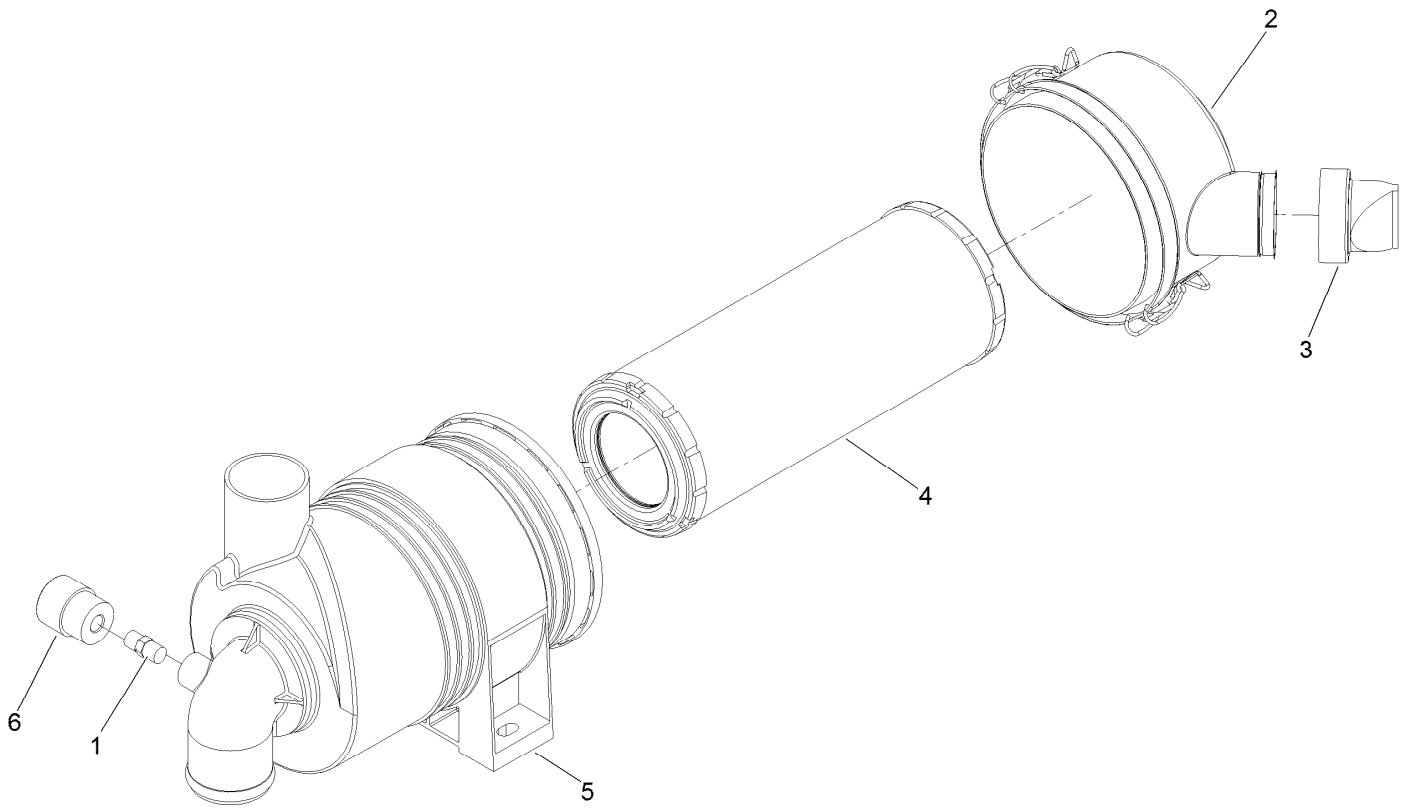


## Exhaust and Air Cleaner Assembly

Ref.	Part Number	Qty.	Description
1	144-0569	1	Pipe-Exhaust
2	48-9590	2	Washer-Lock
3	33115-025	2	Screw-HH
4	138-0432-0P	1	Bracket-Air Filter [primed]
5	33104-020	3	Screw-HHF
8	18-2130	2	Clamp
9	104-7201	3	Nut-HF, NI
10	137-5809	1	Hose-Cleaner, Air
11	136-4481	1	Air Cleaner ASM
12	3230-29	2	Screw-CARR
13	104-8300	8	Nut-HF, NI
14	2412-130	2	Clamp-Hose
15	138-4455	1	Hose-Intake
16	120-1959	1	Clamp
17	2412-53	1	Clamp-Drive, Worm

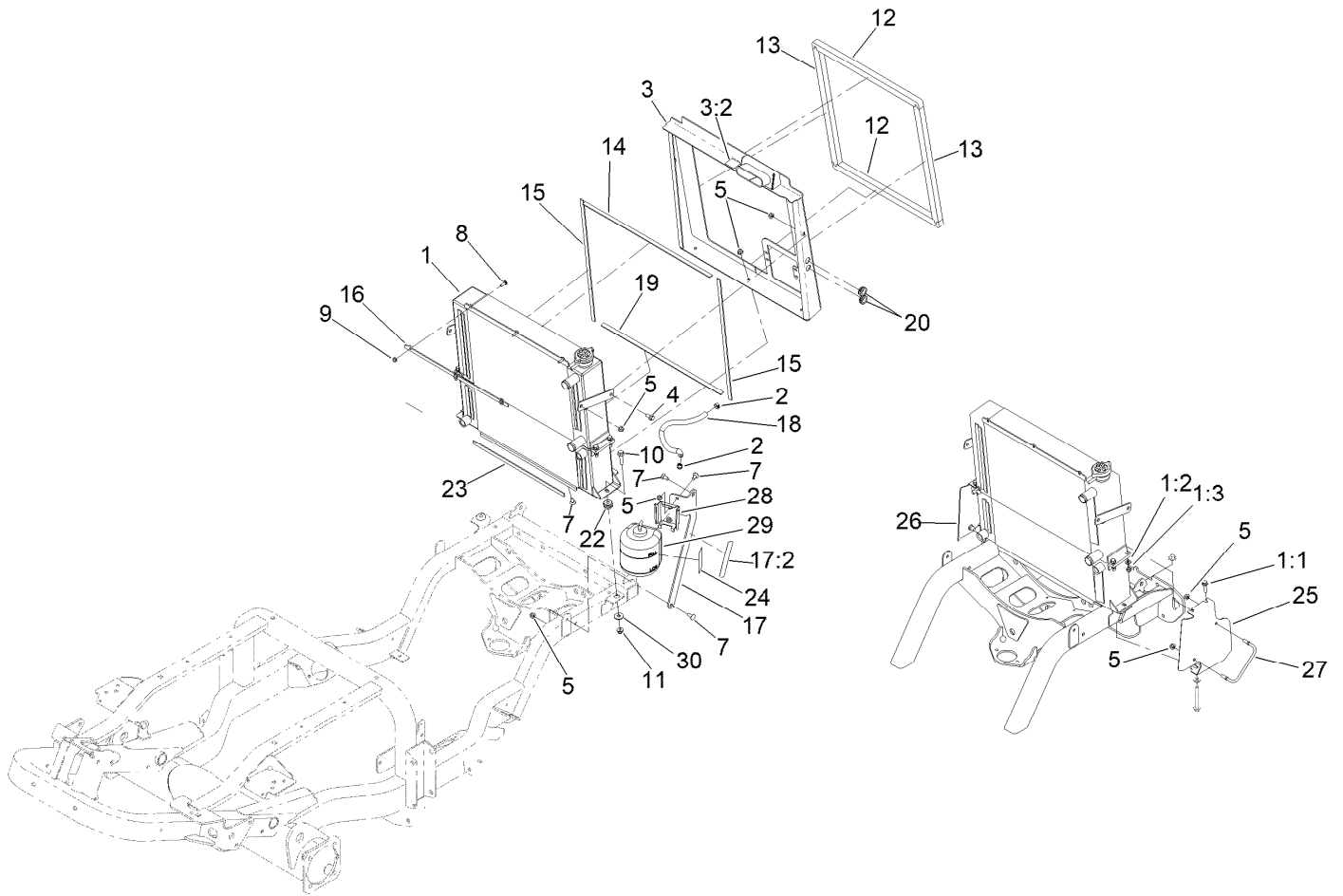
Ref.	Part Number	Qty.	Description
18	3230-23	1	Bolt-CARR
20	139-6181-0P	1	Bracket-Sensor, Dpf
21	120-4654	2	Screw-HHF
22	139-6185	1	Bracket-Heat Shield, Rear
23	139-6184	1	Bracket-Heat Shield, Lower
24	3234-47	3	Screw-HHF
25	144-0572-03	1	Support-Tailpipe
26	145-6016-0P	1	Bracket-Pump Mount ASM [primed]
27	145-5955-0P	1	Bracket-Pump [primed]
28	33105-025	3	Screw-HHF
29	3230-2	2	Bolt-CARR
30	2412-87	1	Clamp-Cable
31	120-9678	1	Screw-HHF
32	33105-020	3	Screw-HHF

# Air Cleaner Assembly No. 136-4481



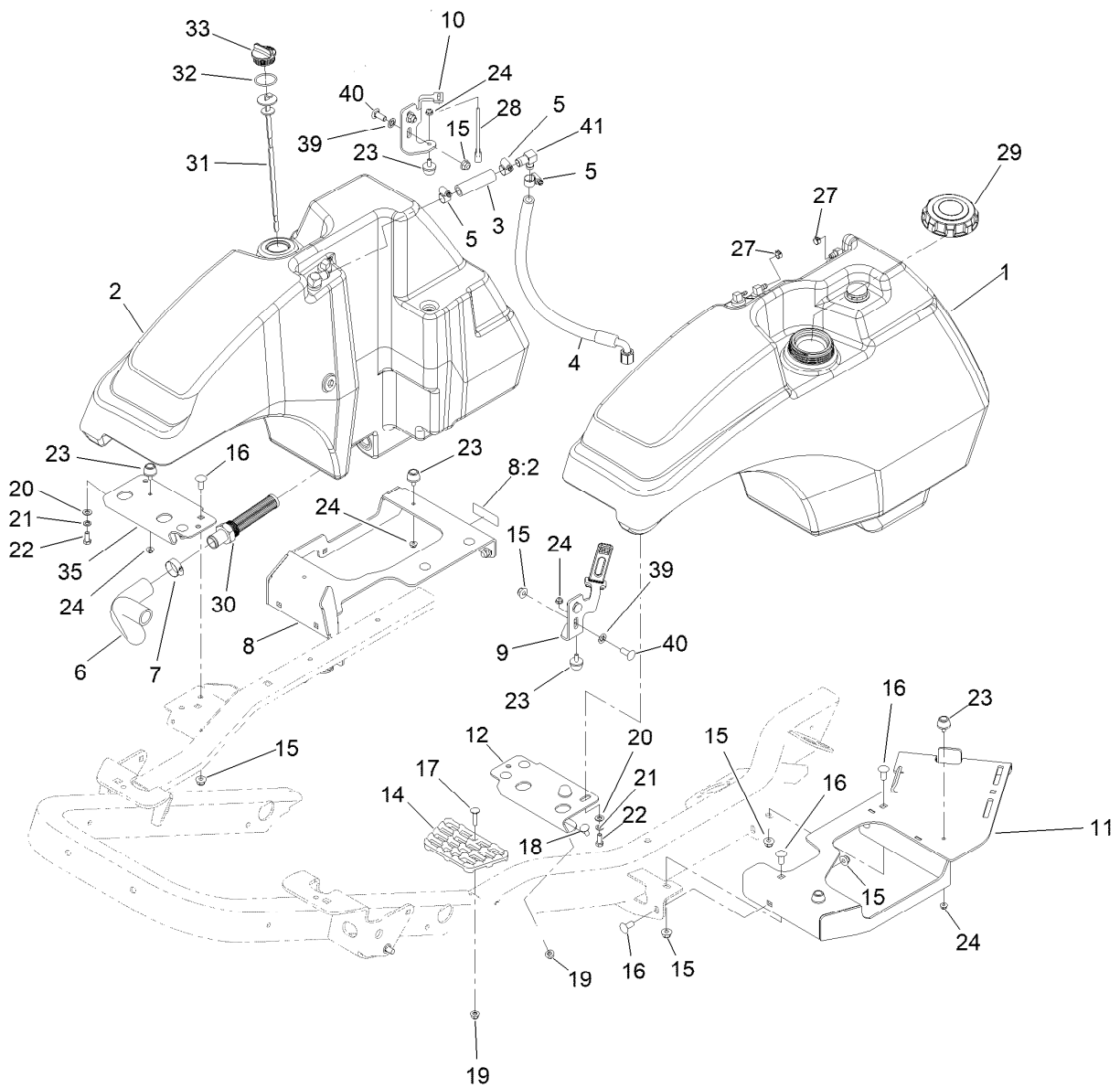
## Air Cleaner Assembly No. 136-4481 (continued)

<i>Ref.</i>	<i>Part Number</i>	<i>Qty.</i>	<i>Description</i>	<i>Ref.</i>	<i>Part Number</i>	<i>Qty.</i>	<i>Description</i>
1	94-1416	1	Adapter-Indicator	4	108-3810	1	Filter-Air
2	98-9771	1	Cover ASM	5	98-4525	1	Bracket-Cleaner, Air
3	94-1414	1	Valve-Vacuator	6	93-9164	1	Indicator-Mini



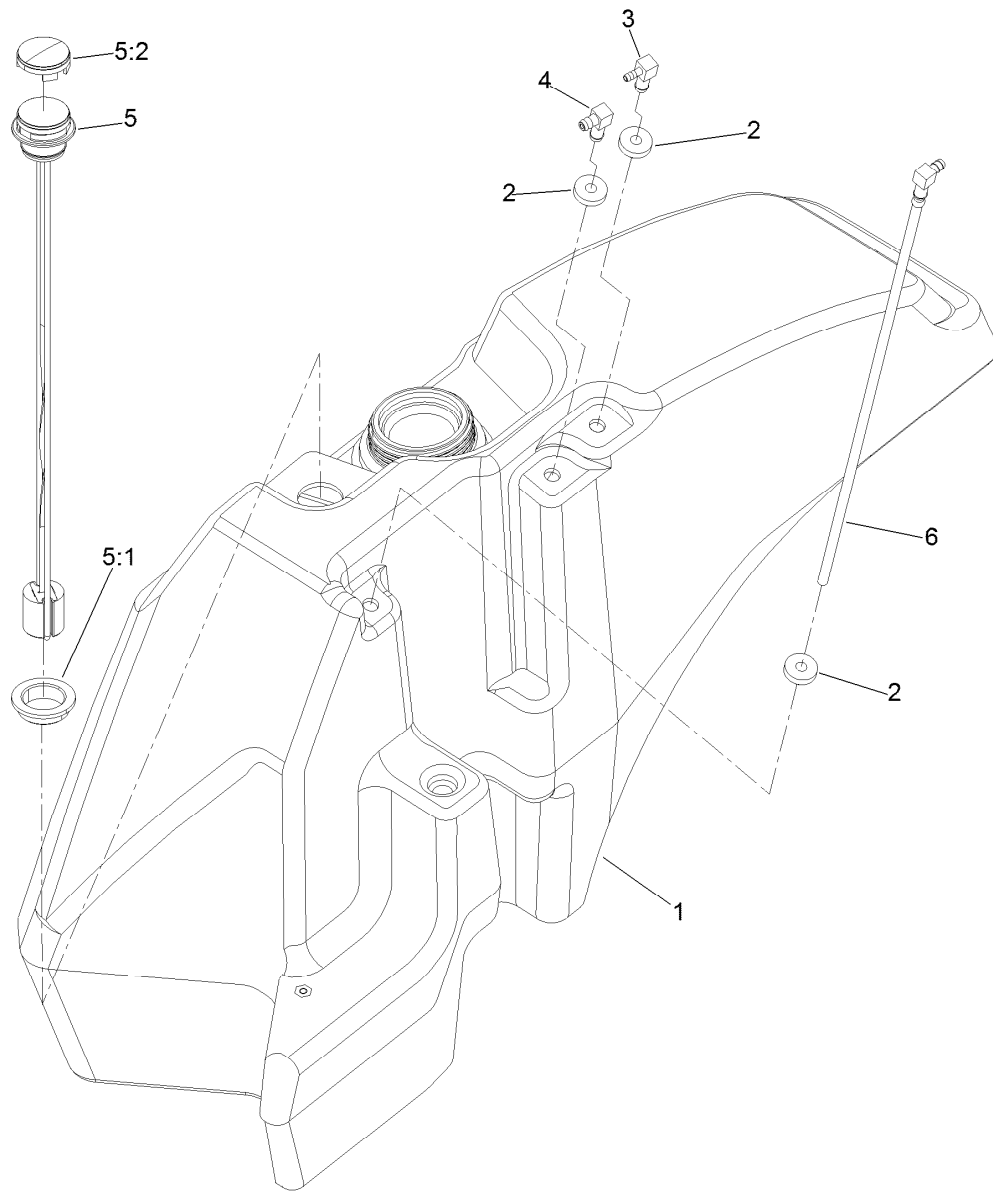
## Radiator and Cooler Assembly

Ref.	Part Number	Qty.	Description	Ref.	Part Number	Qty.	Description
1	147-0062	1	Radiator/Oil Cooler ASM	15	138-4454	2	Foam-Radiator, Side
1:1	119-4036	4	Screw-HHF	16	138-4461-0P	1	Bracket-Shroud Retainer
1:2	3256-23	4	Washer-Plain	17	139-6230	1	Bracket-Bottle Mount
1:3	137-3093	4	Nut-Hex	17:2	93-7272	1	Decal-Warning
2	92-2379	2	Clamp-Hose	18	106-1126	1	Hose-Fuel
3	139-6232	1	Shroud-Cooler ASM	19	108-1393	1	Strip-Foam
3:2	115-8155	1	Decal-Warning	20	MSC14544	2	Grommet
4	3234-47	2	Screw-HHF	22	63-9750	2	Mount
5	104-8300	15	Nut-HF, NI	23	130-9182	1	Foam-Radiator, Short
7	3230-23	9	Bolt-CARR	24	144-0472	1	Decal-Coolant Level
8	1-807512	3	Bolt-CARR	25	145-6059-03	1	Bracket-Cooler Shroud, LH
9	104-7201	3	Nut-HF, NI	26	145-6061-03	1	Bracket-Cooler Shroud, RH
10	114-4681	2	Screw-HHF	27	144-3905	2	Guide-Hose
11	104-8301	2	Nut-HF, NI	28	140-7165	1	Bracket-Tank
12	138-4410	2	Seal-Foam	29	140-7185RT01	1	Tank ASM
13	138-4411	2	Seal-Foam	30	52-2861	2	Washer
14	138-4453	1	Foam-Radiator				



## Fuel System Assembly

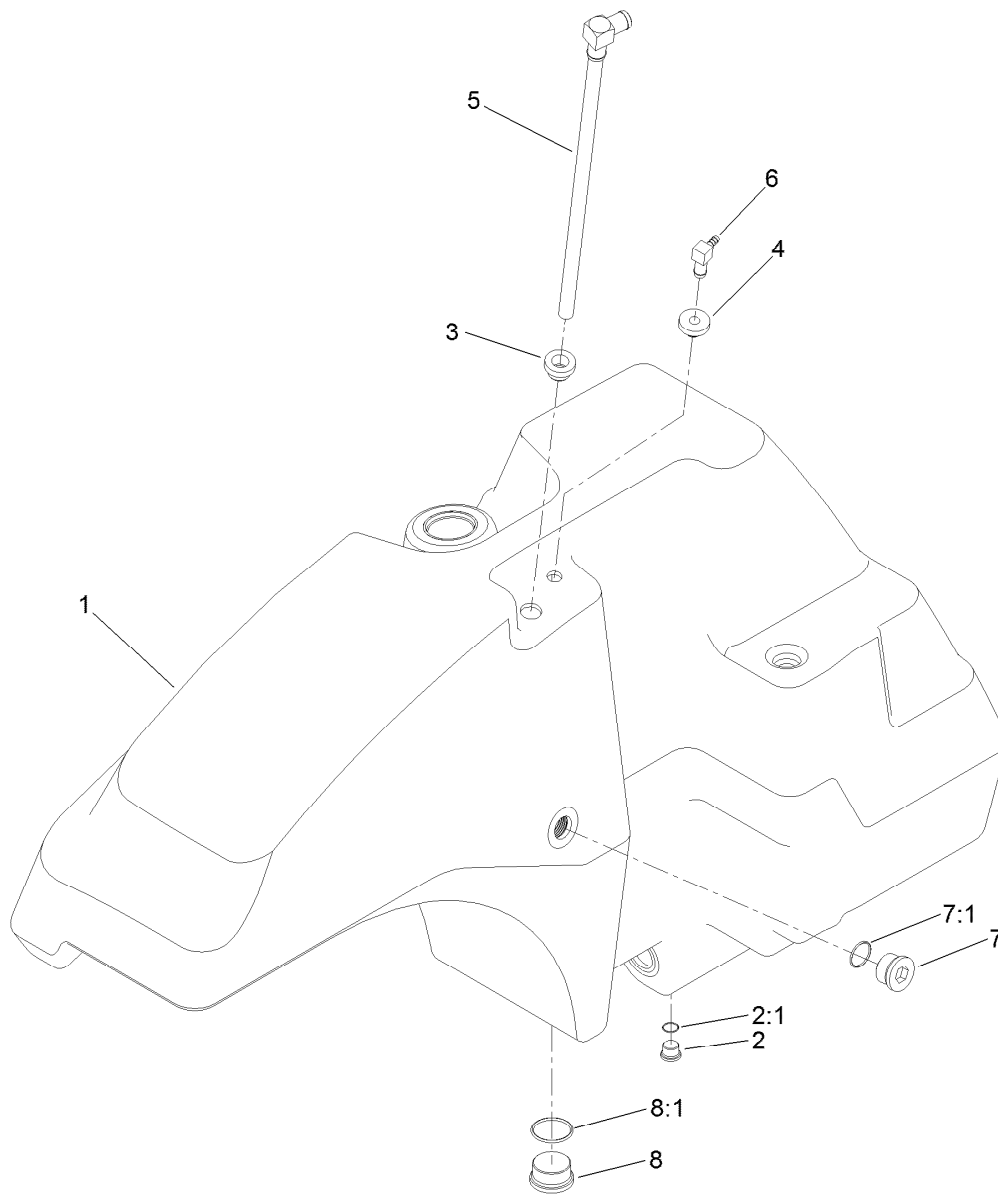
Ref.	Part Number	Qty.	Description	Ref.	Part Number	Qty.	Description
1	138-0291	1	Fuel Tank	18	3230-23	2	Bolt-CARR
2	138-4418	1	Hydraulics Tank ASM	19	104-8300	3	Nut-HF, NI
3	114-4920	1	Hose	20	3256-23	2	Washer-Plain
4	145-5933	1	Hose ASM-Hydraulic	21	3253-4	2	Washer-Lock
5	2412-119	3	Clamp-Hose	22	322-3	2	Screw-HH
6	138-7361	1	Hose-Suction	23	109-2365	8	Bumper-Rubber
7	2412-34	1	Clamp-Hose	24	104-7201	8	Nut-HF, NI
8	139-6228	1	Tank Support-Hydraulic	27	92-2379	2	Clamp-Hose
8:2	127-0392	1	Decal-Hot Surface	28	131-8402	2	Strap-Down, Hold
9	138-0441-03	1	Bracket-Tank Hold Down, LH	29	125-9171	1	Cap-Fuel
10	138-7315-03	1	Bracket-Tank Hold Down, RH	30	138-7499	1	Fitting-Strainer
11	138-4404-03	1	Tray-Tank/Battery	31	138-7388	1	Dipstick
12	138-7365-03	1	Bracket-Tank Mount, Front LH	32	94-8166	1	O-Ring
14	126-4781	1	Step-Deck	33	93-7498	1	Plug-Plastic
15	104-8301	19	Nut-HF, NI	35	139-0940-03	1	Bracket-Tank Mount, Front RH
16	3231-27	15	Screw-CARR	39	107-3154	6	Nut-Push
17	3230-3	1	Screw-CARR	40	3231-22	4	Screw-CARR
				41	117-0943	1	Fitting-Elbow



## Fuel Tank Assembly No. 138-0291

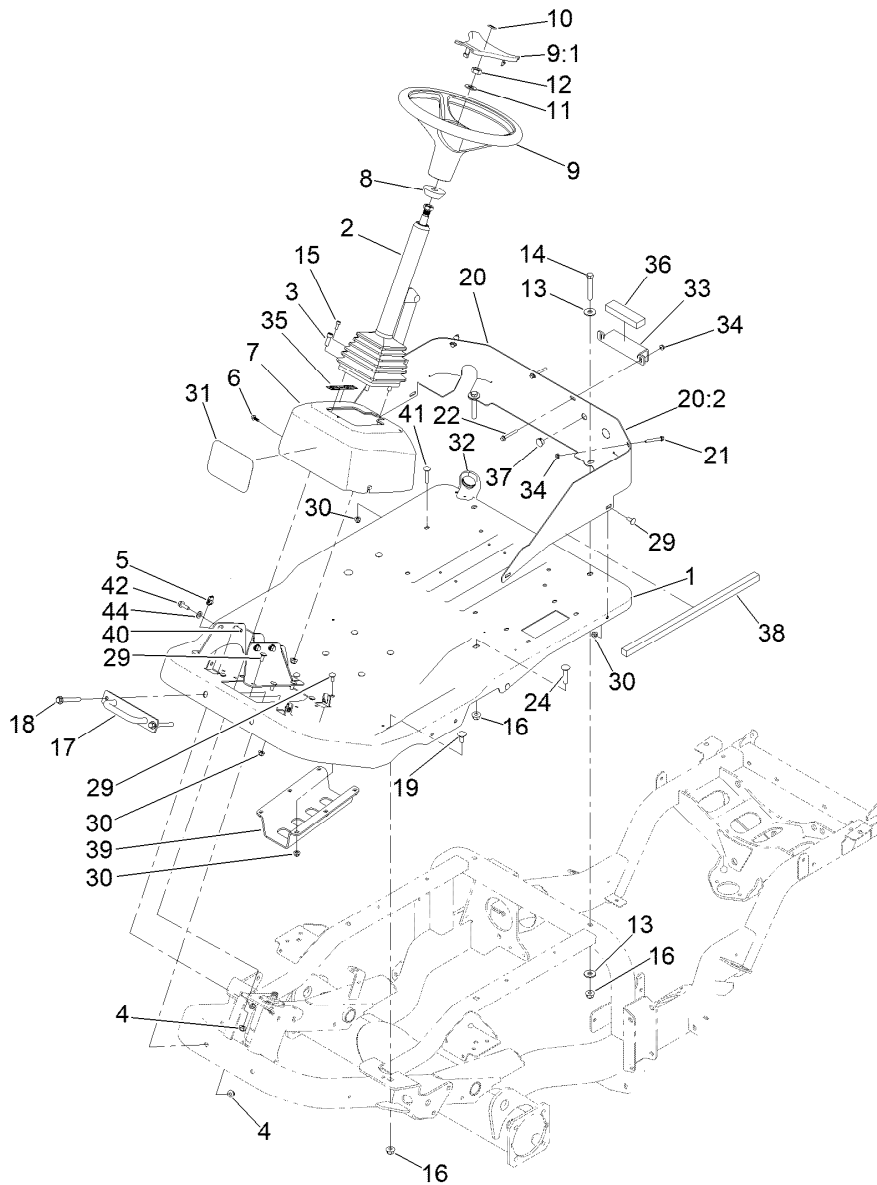
<i>Ref.</i>	<i>Part Number</i>	<i>Qty.</i>	<i>Description</i>
1	138-7385	1	Fuel Tank W/Inserts ASM
2	46-6560	3	Bushing
3	104-5228	1	Fitting-Elbow, 90 DEG
4	46-6550	1	Fitting-Elbow, 90 DEG
5	139-0872	1	Gauge-Fuel
5:1	119-0508	1	Seal
5:2	117-8404	1	Dial-Gauge
6	138-7389	1	Pipe-Stand





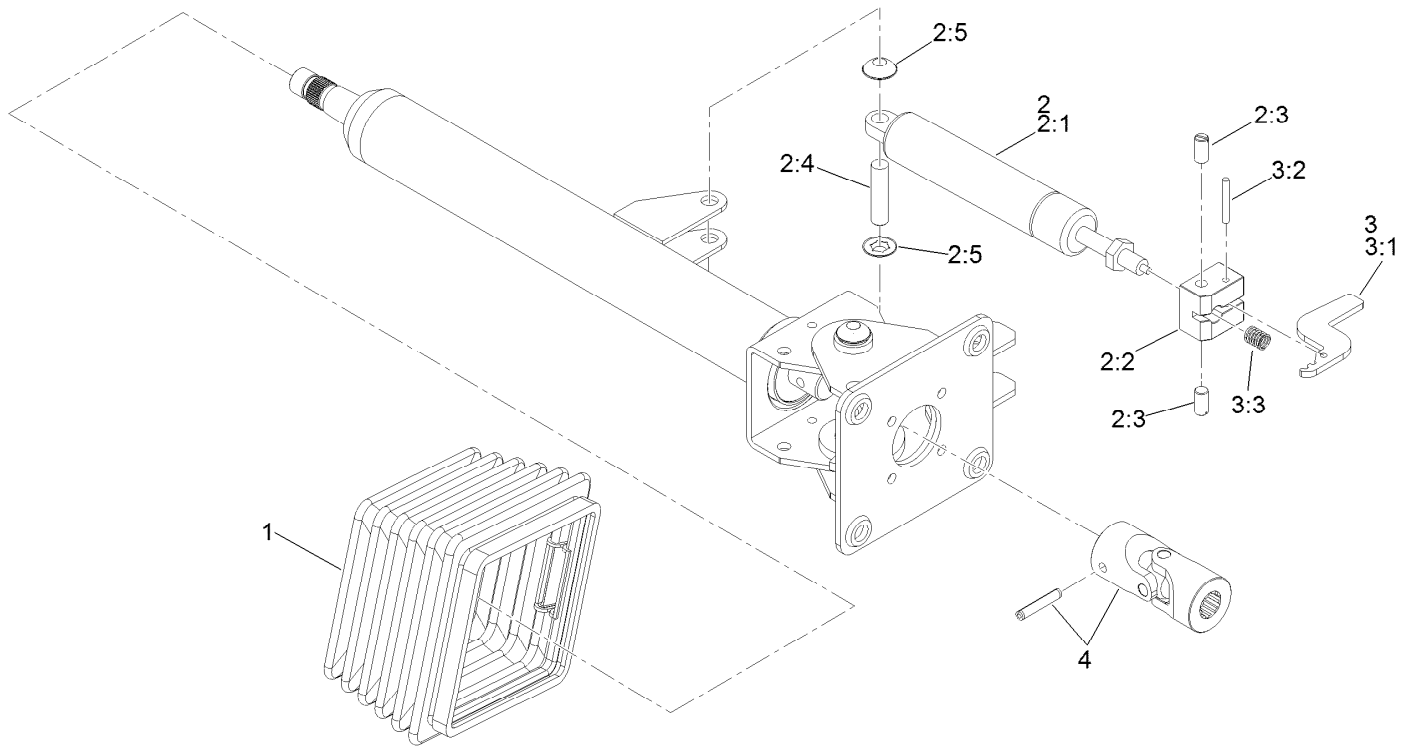
## Hydraulic Tank Assembly No. 138-4418

Ref.	Part Number	Qty.	Description
1	138-7386	1	Tank-Hydraulic W/Inserts
2	353-989	1	Plug-Hex, Hollow
2:1	237-42	1	O-Ring
3	104-0790	1	Bushing
4	46-6560	1	Bushing
5	138-7384	1	Tube-Drop
6	104-5228	1	Fitting-Elbow, 90 DEG
7	139-6333	1	Fitting-Plug
7:1	237-81	1	O-Ring
8	105-3921	1	Fitting-Plug
8:1	237-146	1	O-Ring



## Platform, Steering and Console Assembly

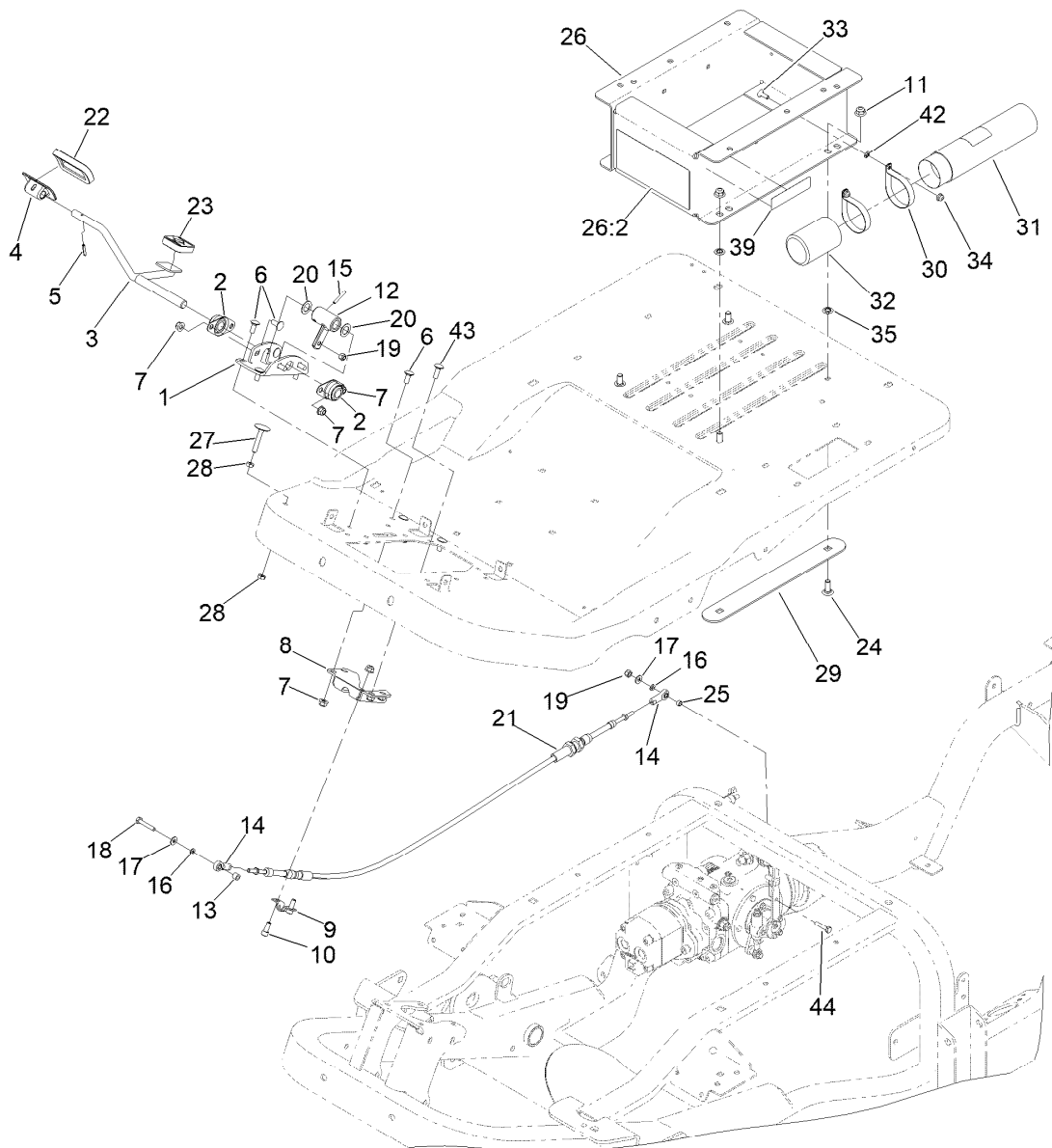
Ref.	Part Number	Qty.	Description	Ref.	Part Number	Qty.	Description
1	144-4030SP	1	Platform-Stamped	20:2	132-1316	2	Decal-Danger, Belt
2	139-0857	1	Column-Steering, Tilt	21	125-4287	2	Screw-HHF
3	3274-7	4	Screw-HSH	22	3234-34	2	Screw-HHF
4	104-8301	6	Nut-HF, NI	24	3232-5	2	Screw-CARR
5	107069	4	Clip	29	3230-23	15	Bolt-CARR
6	99-6810	4	Screw-HHF	30	104-8300	21	Nut-HF, NI
7	138-7494	1	Cover-Steering	31	105-1217	1	Decal
8	93-5429	1	Collar-Foam	32	144-0473	1	Plug-Harness, Firewall
9	98-1471	1	Wheel-Steering	33	139-2166-0P	1	Bracket-Hood Support
9:1	98-1468	1	Cover-Wheel, Steering	34	104-7201	4	Nut-HF, NI
10	98-1459	1	Decal	35	140-1460	1	Decal-Traction Pedal
11	3256-27	1	Washer-Flat	36	139-6202	1	Foam-Strip
12	3296-33	1	Nut-Lock, NI	37	130-8439	1	Plug-Dome
13	3256-40	4	Washer-Flat	38	139-6207	1	Foam-Strip
14	324-12	2	Screw-HH	39	144-3954-03	1	Guard-Tubes, Hydraulic
15	105-2409	4	Screw-HSH	40	145-5983-0P	1	Bracket-Steering Mount [primed]
16	114-8417	6	Nut-HF, NI	41	116-0629	2	Screw-CARR
17	138-0288	1	Bracket-Down, Tie	42	3234-29	4	Screw-HHF
18	3234-41	2	Screw-HHF	44	3256-38	4	Washer-Flat
19	3232-1	2	Screw-CARR				
20	144-0528	1	Plate-Firewall, Lower				



## Steering Column Assembly No. 139-0857

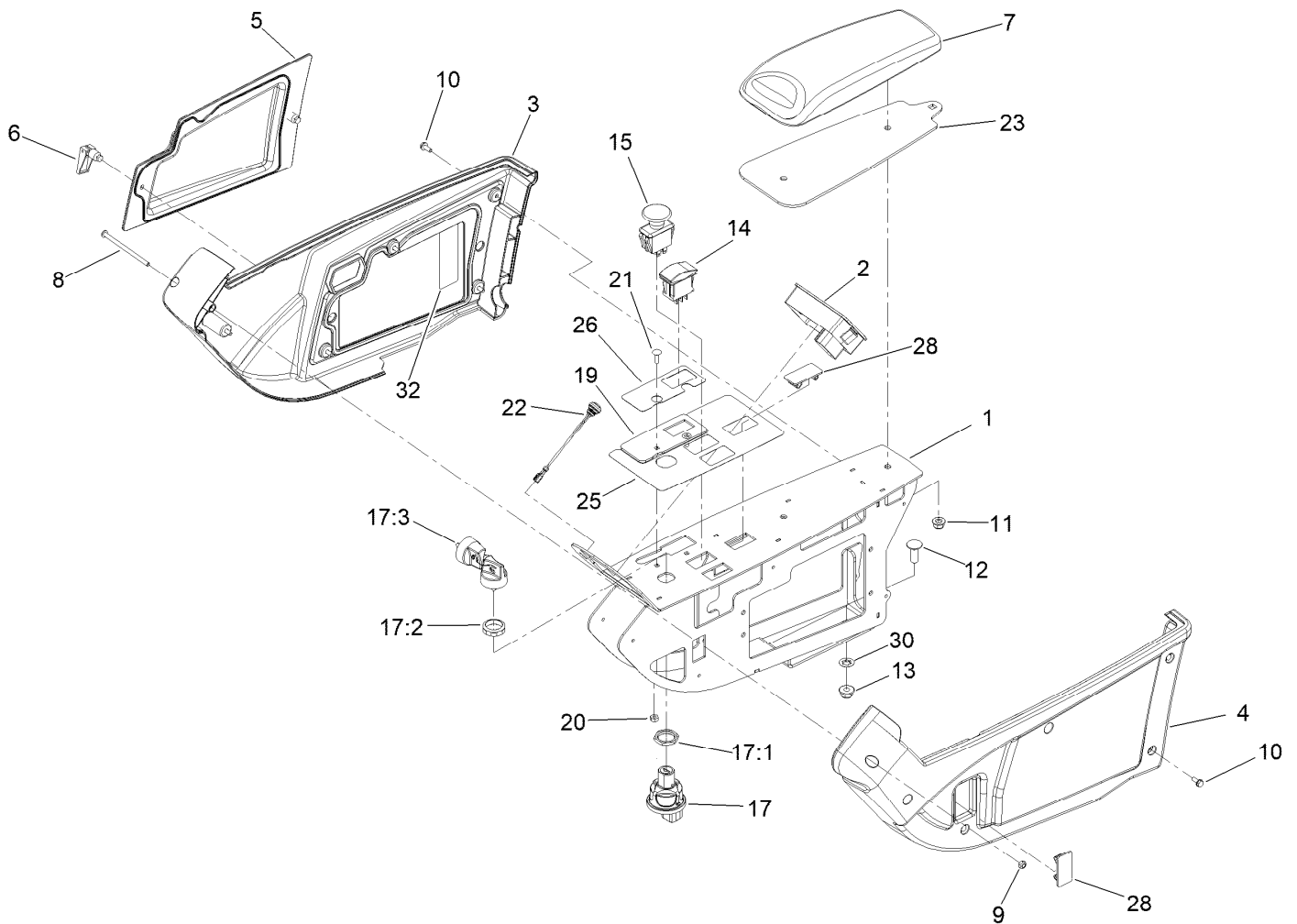
Ref.	Part Number	Qty.	Description
1	110-6462	1	Bellows-Rubber
2	110-6463	1	Cylinder Service Kit
2:1		1	Cylinder-Gas ●
2:2		1	Block-Pedal ●
2:3		2	Bolt ●
2:4		1	Pin ●
2:5		2	Washer-Lock ●
3	136-4385	1	Pedal Service Kit
3:1		1	Pedal ●
3:2		1	Pin ●
3:3		1	Spring ●
4	120-6256	1	Universal Joint Kit

● Not serviced separately



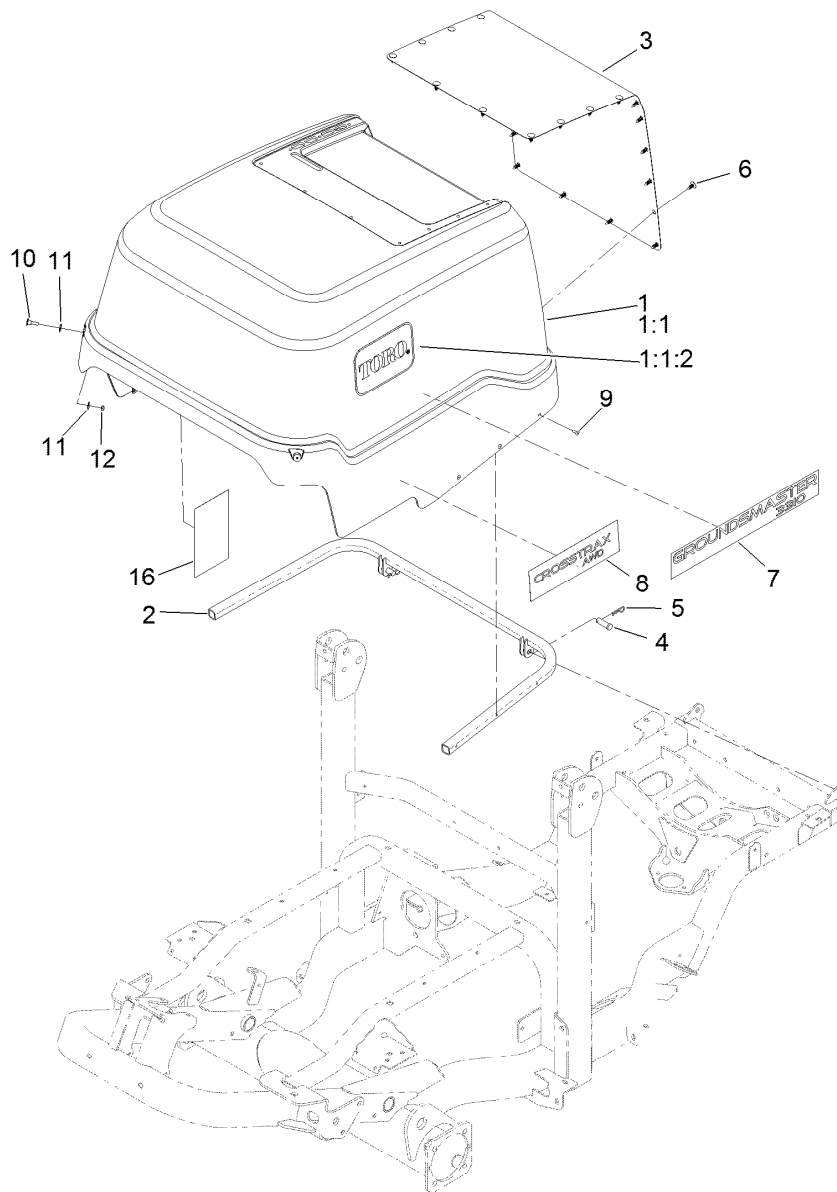
## Pedal Assembly

Ref.	Part Number	Qty.	Description	Ref.	Part Number	Qty.	Description
1	138-7477-01	1	Bracket-Pedal, Traction	21	145-6040	1	Cable-ASM, Traction
2	256-236	2	Bearing-Mount, Flange	22	74-9100	1	Pad-Pedal, Forward
3	138-4594	1	Pedal-Traction	23	74-9110	1	Pad-Pedal, Reverse
4	117-9507	1	Pedal-Accelerator	24	3231-22	4	Screw-CARR
5	32121-45	1	Pin-Spring	25	130-9691	1	Spacer
6	3230-23	11	Bolt-CARR	26	139-6221	1	Seat Box ASM
7	104-8300	14	Nut-HF, NI	26:2	139-6215	1	Decal-Warning
8	138-7446-01	1	Bracket-Cable, Traction	27	115-8240	1	Screw-Elevator
9	93-2092	1	Clamp-Cable	28	3218-2	2	Nut-Hex Jam
10	3274-10	2	Screw-HSH	29	138-7422-0P	2	Strip-Seat Mount
11	104-8301	4	Nut-HF, NI	30	107-1865	2	R-Clamp
12	117-5199	1	Hub-Pedal, Traction	31	104-7050	1	Tube-Manual
13	66-8010	1	Spacer	32	104-7048	1	Cap-Housing
14	2411-41	2	Rod End-Ball Joint	33	1-807512	2	Bolt-CARR
15	32121-6	1	Pin-Roll, Slotted	34	104-7201	2	Nut-HF, NI
16	33093-00	2	Washer-Flat	35	107-3154	4	Nut-Push
17	3256-22	2	Washer-Flat	39	133-8062	1	Decal-Arrestor, Spark
18	321-9	1	Screw-HH	42	32115-15	2	Nut-Push
19	3296-42	2	Nut-Lock, NI	43	3230-10	1	Bolt-CARR
20	137-2601	2	Washer	44	321-8	1	Screw-HH



## Control Console Assembly

<i>Ref.</i>	<i>Part Number</i>	<i>Qty.</i>	<i>Description</i>	<i>Ref.</i>	<i>Part Number</i>	<i>Qty.</i>	<i>Description</i>
1	133-6406-03	1	Panel	15	93-9999	1	Switch-PTO
2	132-9751	1	Tdm 2001	17	121-5159	1	Switch-Ignition
3	108-7605	1	Cover-RH	17:1	121-5160	1	Nut-Hex
4	108-7604	1	Cover-LH	17:2	122-2704	1	Nut-Face, M22 (Plastic)
5	108-7616	1	Panel-Access	17:3	121-5162	1	Set-Key, Ignition
6	74-5950	2	Latch-Swell	19	137-2511	1	Cover-Throttle, Switch
7	131-9637	1	Armrest-Quick Find	20	3296-2	2	Nut-Lock, NI
8	3250-22	1	Screw-PPH	21	1-807533	2	Bolt-CARR
9	3296-12	1	Nut-Lock, NI	22	136-9678	1	Switch-Pushbutton
10	32144-112	10	Screw-HWH	23	138-4548-03	1	Plate-Spacer, Console Pad
11	104-8300	2	Nut-HF, NI	25	138-7471	1	Decal-Console
12	3231-22	2	Screw-CARR	26	138-7472	1	Decal-Throttle
13	104-8301	2	Nut-HF, NI	28	99-7420	2	Plug-Hole
14	100-1535	2	Switch-Rocker, (On)-Off-(On)	30	107-3154	2	Nut-Push
				32	140-3126	1	Decal-Fuse

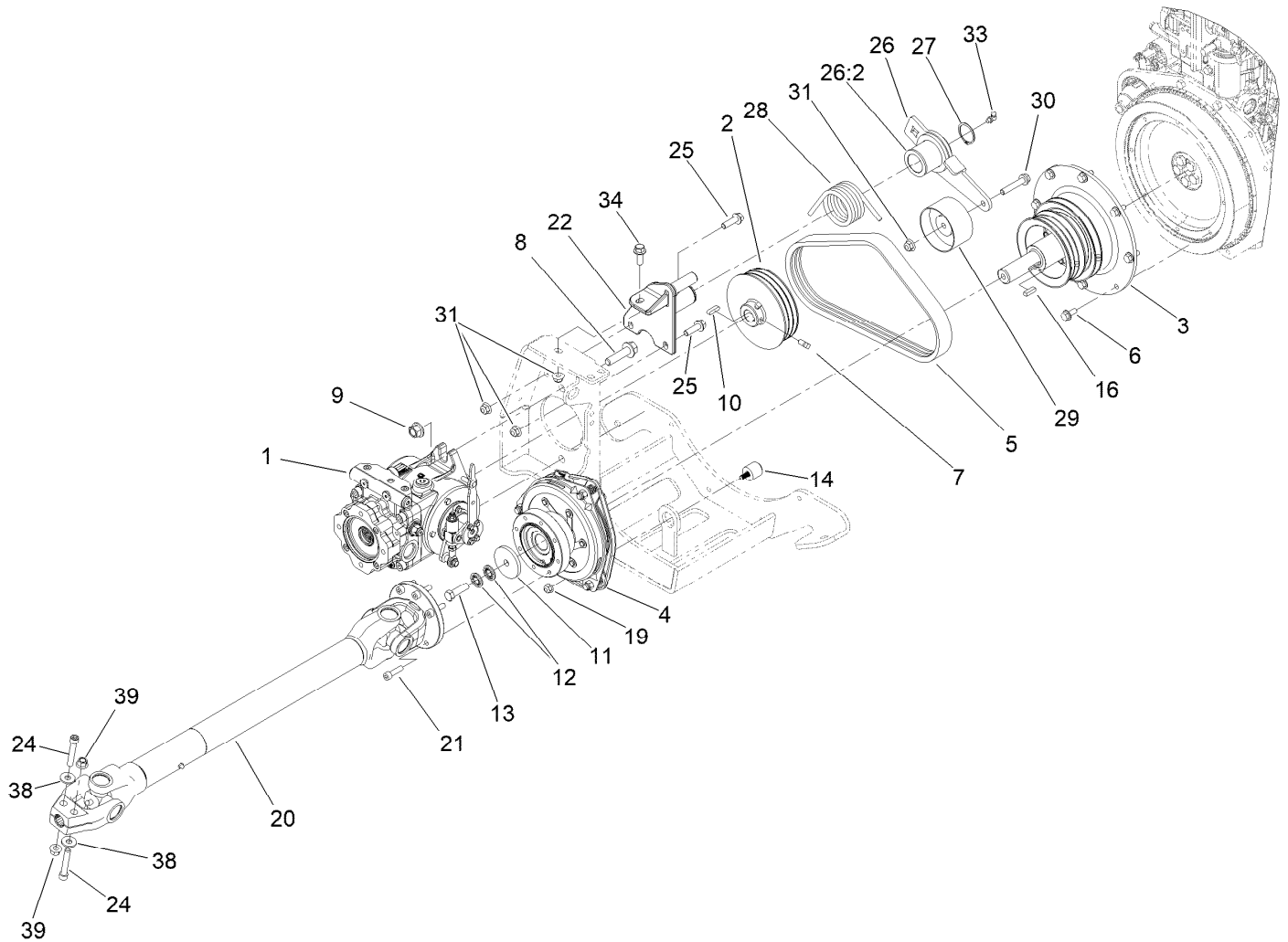


## Hood Assembly

Ref.	Part Number	Qty.	Description	Ref.	Part Number	Qty.	Description
1	138-7330SP	1	Hood	5	3290-467	2	Pin-Hair
1:1		1	Hood ASM ■	6	117-2382	24	Plug-Plastic
1:1:2	62-7400	2	Decal-Toro Logo	7	139-6153	2	Decal-Identification
1:2	139-6225	1	Tape-Heat, Hood Front ●	8	110-8859	2	Decal
1:3	139-6226	1	Tape-Heat, Hood Rear ●	9	114439	10	Rivet-Blind
1:4	139-6227	1	Tape-Heat, Hood Side ●	10	139-0855	2	Screw-Countersunk, Oval
2	138-7331-03	1	Support-Hood	11	3256-2	4	Washer-Flat
3	138-7474-03	1	Screen-Cooler	12	3296-56	2	Nut-Lock, NI
4	283-68	2	Pin-Clevis	16	139-6218	1	Decal-Service, Gm3300

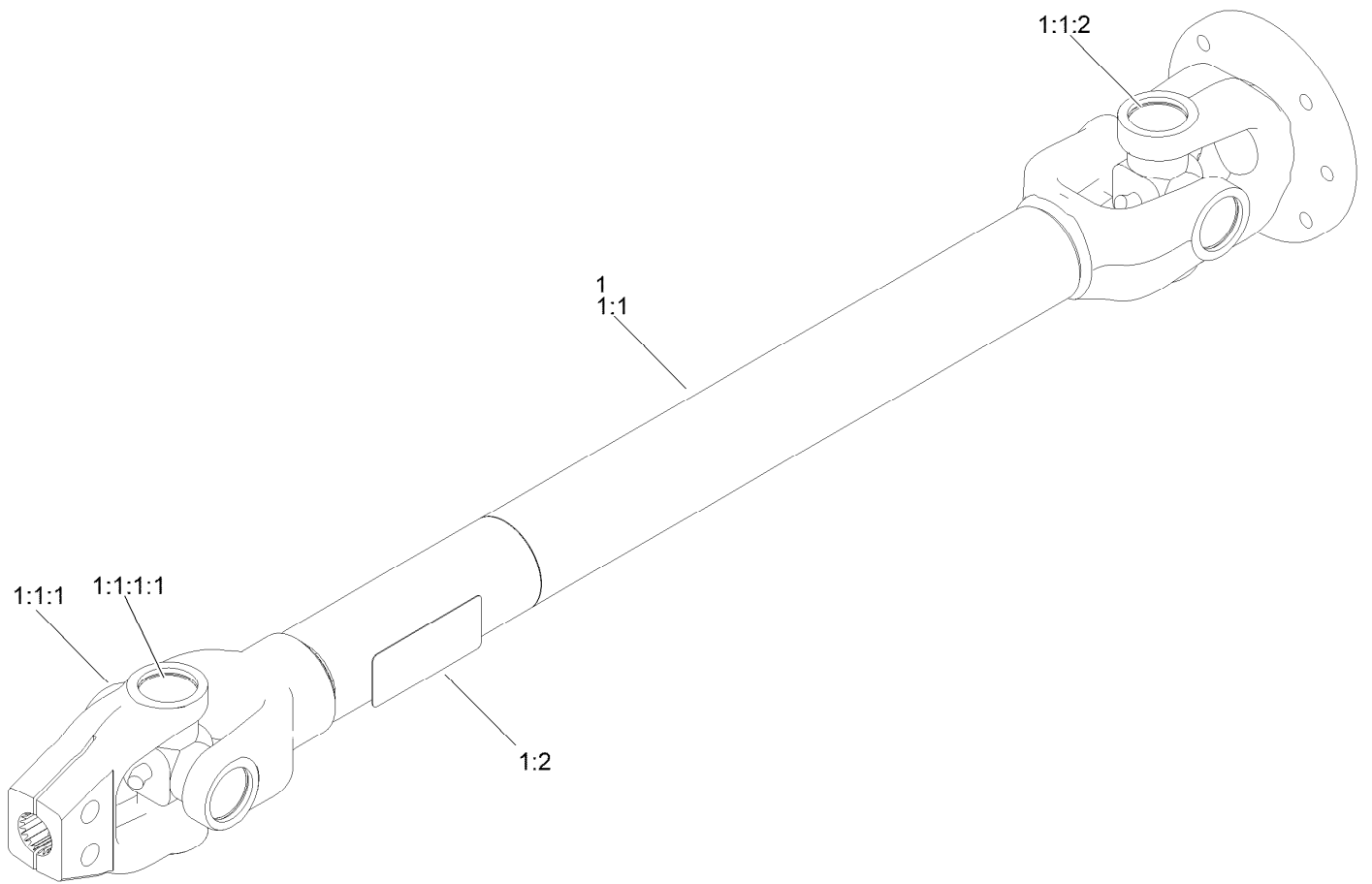
● Not illustrated

■ Not serviced separately



## Pump, Driveshaft and Clutch Assembly

Ref.	Part Number	Qty.	Description	Ref.	Part Number	Qty.	Description
1	145-5940	1	Pump-Bondioli	20	144-0521SP	1	Driveshaft ASM
2	145-6044	1	Pulley-3/3V	21	144-0452	6	Screw-Hex Socket
3	147-0050	1	Stubshaft-3/3V	22	140-6200	1	Idler Pivot (Mach)
4	145-5987	1	Clutch-Gt5 W/Integral Con	24	131-8591	2	Screw-HSH
5	139-6259	1	Belt-3/3V	25	119-4061	2	Screw-HHF
6	138-0690	8	Screw-HH	26	140-6179	1	Idler Arm ASM
7	1-803022	2	Screw-Set	26:2	93-4510	2	Bushing-Caster
8	133-0041	2	Screw-HF	27	32120-84	1	Ring-Snap, External
9	99-5107	2	Nut-Lock	28	140-3102	1	Spring-Torsion
10	94-3645	1	Key	29	144-3904	1	Pulley-Tensioner
11	139-6238	1	Washer	30	108-3742	1	Screw-HHF
12	1-603610	2	Washer-Spring	31	104-8301	4	Nut-HF, NI
13	109-9761	1	Screw-HH	33	302-40	1	Fitting-Grease, 90 DEG
14	147-0060	1	Bumper	34	3234-42	1	Screw-HHF
16	10-7070	1	Key-Square	38	80-6990	2	Washer-Hardened
19	104-8300	2	Nut-HF, NI	39	32128-36	2	Nut-HF

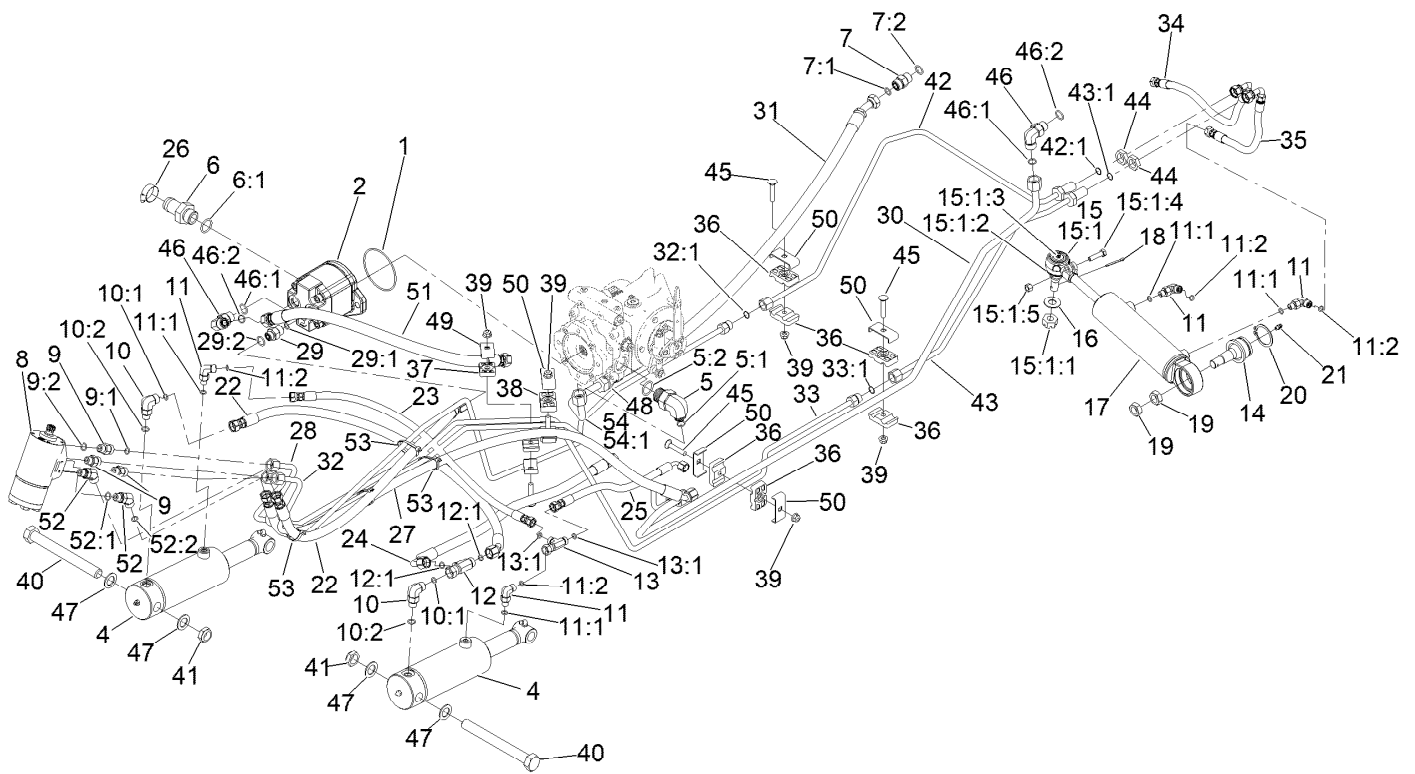


## Driveshaft Assembly No. 144-0521SP

<i>Ref.</i>	<i>Part Number</i>	<i>Qty.</i>	<i>Description</i>
1		1	Driveshaft ASM ●
1:1		1	Shaft-Drive, Jdl ●
1:1:1	144-0519	1	Yoke-Splined W/Cross Joint
1:1:1:1	144-0550	1	Bearing-Cross Joint
1:1:2	144-0550	1	Bearing-Cross Joint
1:2	139-6304	1	Decal-Danger, Entanglement

● Not serviced separately

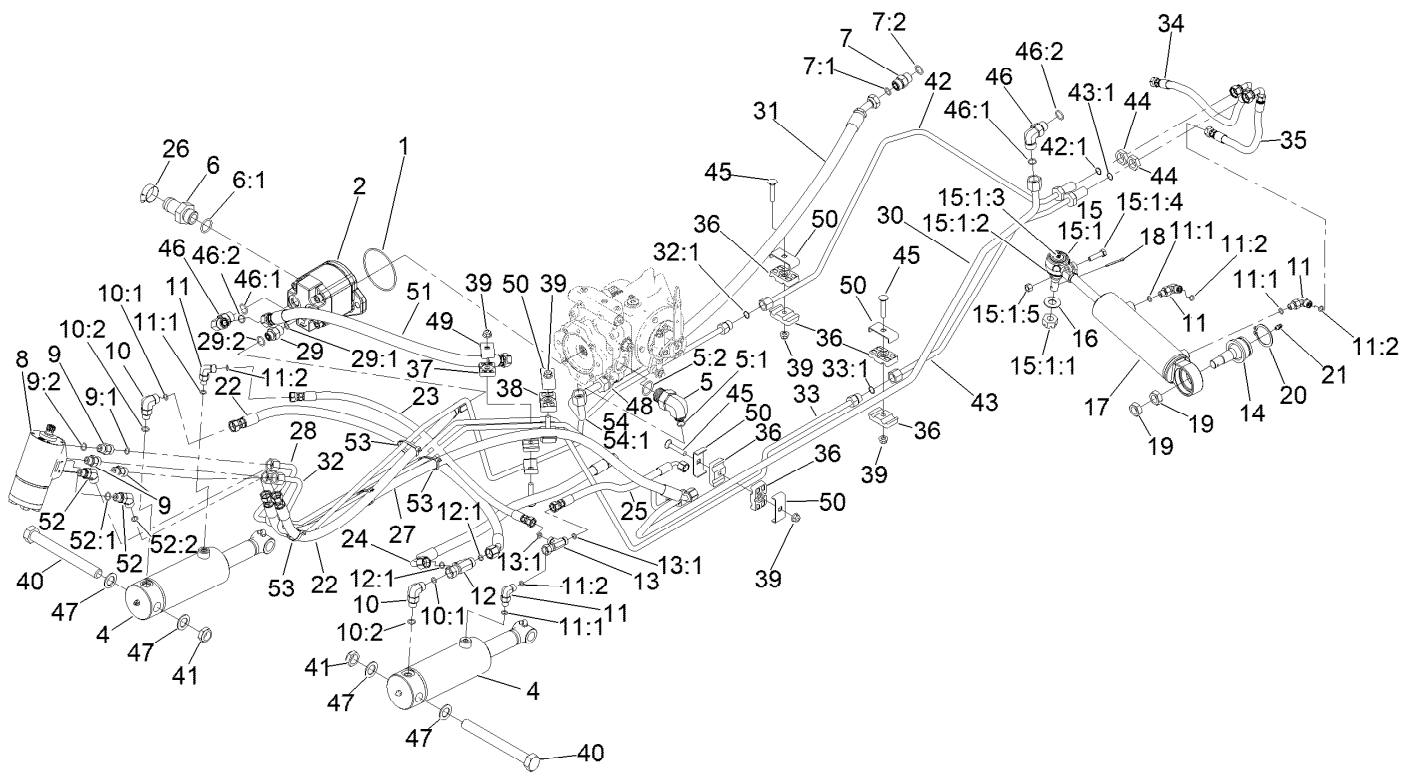




## Hydraulic Assembly

<i>Ref.</i>	<i>Part Number</i>	<i>Qty.</i>	<i>Description</i>	<i>Ref.</i>	<i>Part Number</i>	<i>Qty.</i>	<i>Description</i>
1	237-161	1	O-Ring	11	340-132	4	Fitting-Elbow, 90 DEG
2	147-5115	1	Pump-Gear	11:1	237-78	1	O-Ring
4	139-0854	2	Cylinder-Hydraulic	11:2	237-21	1	O-Ring
5	340-131	1	Fitting-HYD, 90 DEG	12	340-115	1	Fitting-Tee
5:1	237-30	1	O-Ring	12:1	237-22	2	O-Ring
5:2	237-81	1	O-Ring	13	340-151	1	Fitting-Tee
6	99-3017	1	Fitting	13:1	237-21	2	O-Ring
6:1	237-81	1	O-Ring	14	106-6774	1	Joint-Ball
7	340-4	1	Fitting-Straight	15	106-6895-03	1	Ball Joint ASM
7:1	237-30	1	O-Ring	15:1		1	Joint-Ball ●
7:2	237-79	1	O-Ring	15:1:1	32136-13	1	Nut-SHH
8	114-8119	1	Steering Valve ASM	15:1:2	106-6896	1	Seal
9	340-2	3	Fitting-Straight	15:1:3	302-5	1	Fitting-Grease
9:1	237-22	1	O-Ring	15:1:4	3210-7	1	Screw-HH
9:2	237-42	1	O-Ring	15:1:5	32152-5	1	Nut-Hex
10	340-77	2	Fitting-Elbow, 90 DEG	16	69-8980	1	Washer
10:1	237-22	1	O-Ring	17	139-6277	1	Steering Cylinder
10:2	237-42	1	O-Ring	18	3272-12	1	Pin-Cotter

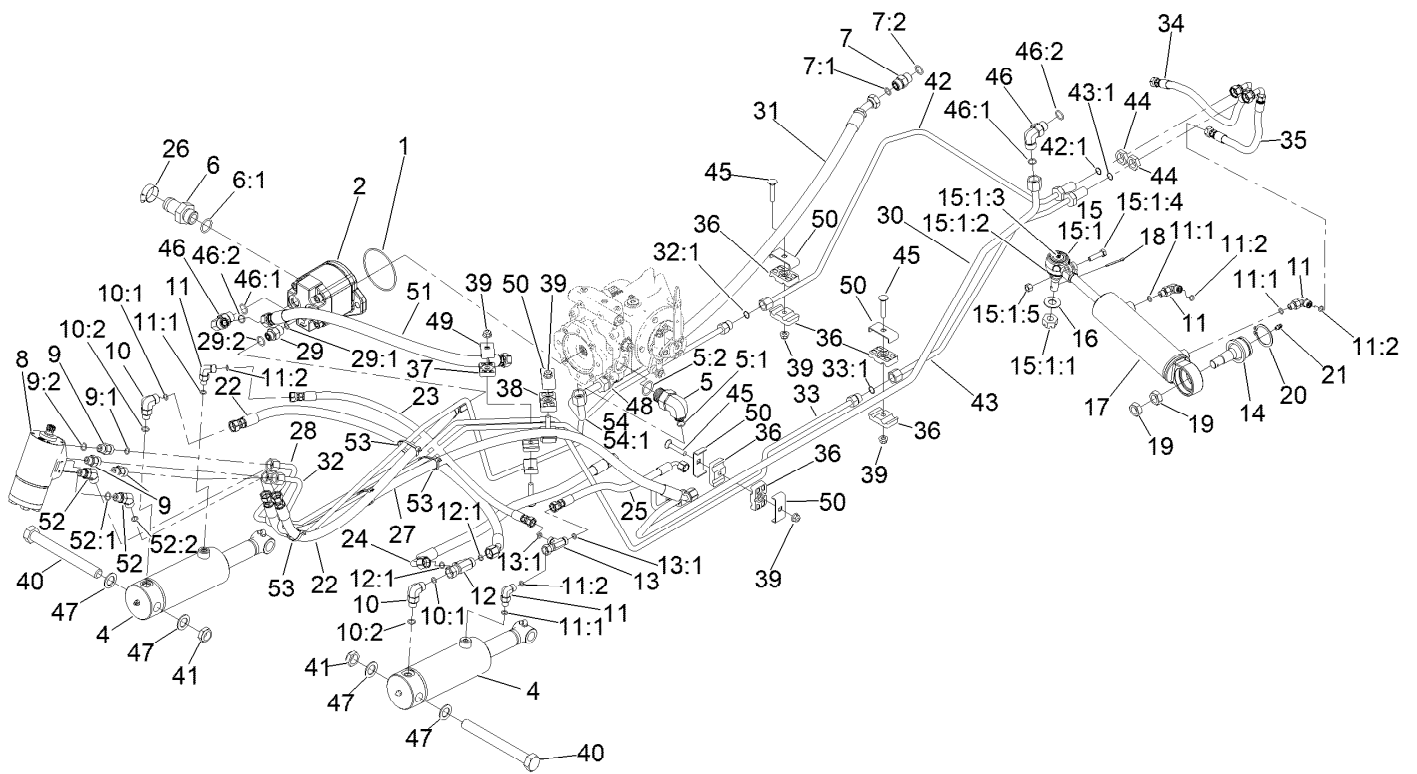
● Not serviced separately



## Hydraulic Assembly (continued)

Ref.	Part Number	Qty.	Description	Ref.	Part Number	Qty.	Description
19	3220-6	2	Nut-Jam	33	145-5930	1	Hydraulic Tube ASM
20	32151-104	1	Ring-Retaining, External	33:1	237-22	1	O-Ring
21	302-5	1	Fitting-Grease	34	115-0383	1	Hose ASM
22	137-5844	2	Hose ASM	35	137-2584	1	Hose ASM
22	137-5844RT03	1	Hose ASM	36	56-7972	6	Clamp-Tube
23	137-5845	1	Hose ASM	37	56-7973	2	Clamp-Tube
24	137-5846	1	Hose ASM	38	56-7970	2	Clamp-Tube
25	137-5847	1	Hose ASM	39	104-8300	5	Nut-HF, NI
26	2412-34	1	Clamp-Hose	40	328-23	2	Screw-HH
27	140-3097	1	Hose ASM	41	HDW02059	2	Nut-Hex
28	138-0331	1	Hydraulic Tube ASM	42	138-0343	1	Hydraulic Tube ASM
29	340-3	1	Fitting-Straight	42:1	237-22	1	O-Ring
29:1	237-22	1	O-Ring	43	138-0344	1	Hydraulic Tube ASM
29:2	237-79	1	O-Ring	43:1	237-22	1	O-Ring
30	138-7448	1	Hydraulic Tube ASM	44	340-70	2	Nut-Lock
31	145-5934	1	Hose ASM-Hydraulic	45	3230-5	5	Bolt-CARR
32	145-5959	1	Hydraulic Tube ASM	46	340-98	2	Fitting-Elbow, 90 DEG
32:1	237-22	1	O-Ring	46:1	237-79	1	O-Ring

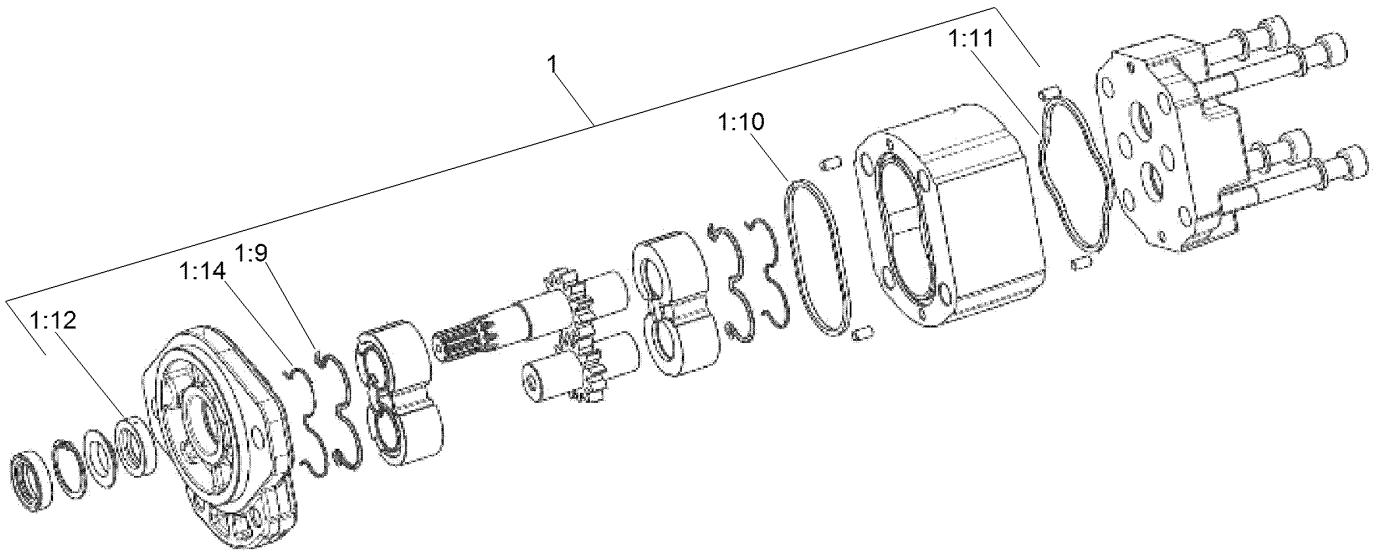
● Not serviced separately



## Hydraulic Assembly (continued)

<i>Ref.</i>	<i>Part Number</i>	<i>Qty.</i>	<i>Description</i>	<i>Ref.</i>	<i>Part Number</i>	<i>Qty.</i>	<i>Description</i>
46:2	237-30	1	O-Ring	52	340-87	2	Fitting-Elbow, 45 DEG
47	126-7888	4	Washer-Nylon	52:1	237-22	1	O-Ring
48	340-127	1	Nut-Bulkhead	52:2	237-42	1	O-Ring
49	119-1418	2	Plate-Clamp, Short	53	3290-378	4	Tie-Cable
50	119-1419	6	Plate-Clamp	54	145-5945	1	Hydraulic Tube ASM
51	145-5931	1	Hose ASM-Hydraulic	54:1	237-30	1	O-Ring

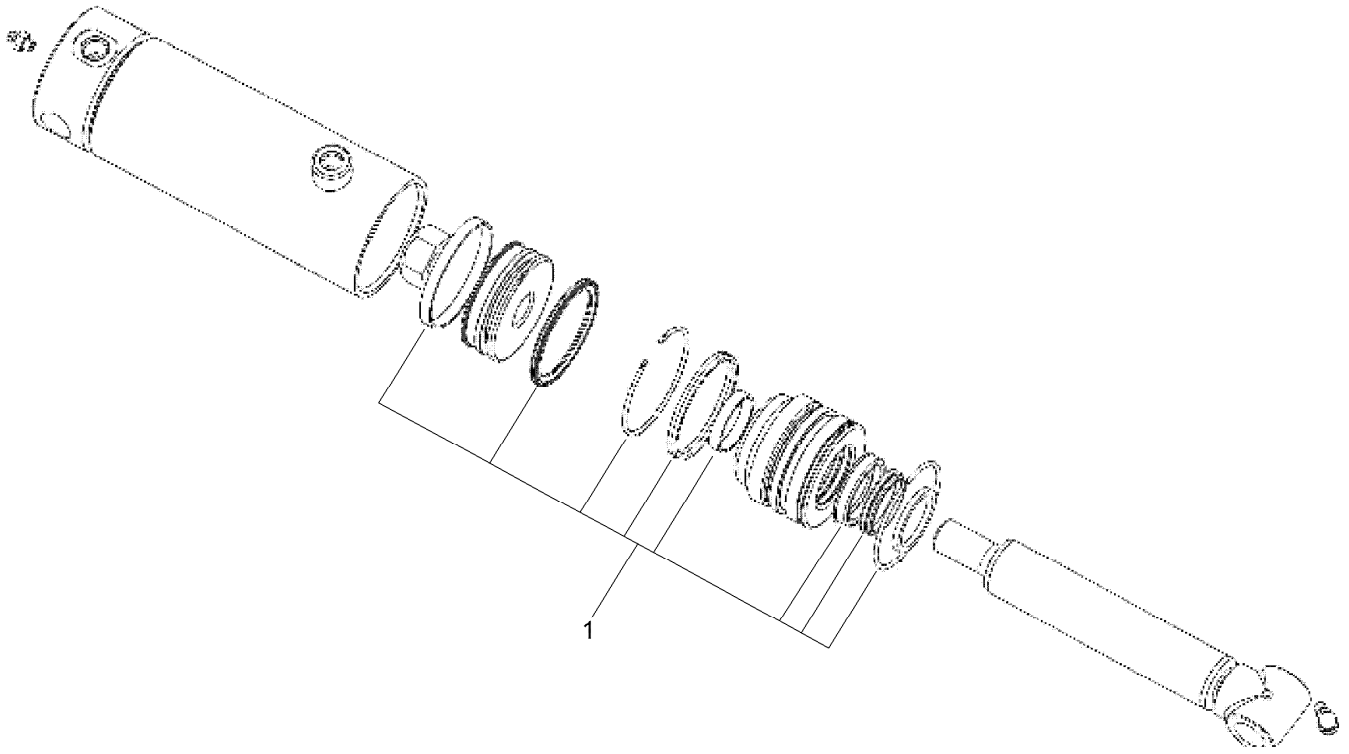
● Not serviced separately



## Gear Pump Assembly No. 147-5115

<i>Ref.</i>	<i>Part Number</i>	<i>Qty.</i>	<i>Description</i>
1	139-6299	1	Kit-Seal
1:9		1	Seal ●
1:10		1	Seal-Standard ●
1:11		1	Seal-Square ●
1:12		1	Seal-Shaft ●
1:14		1	Anti Extrusion ●

● Not serviced separately

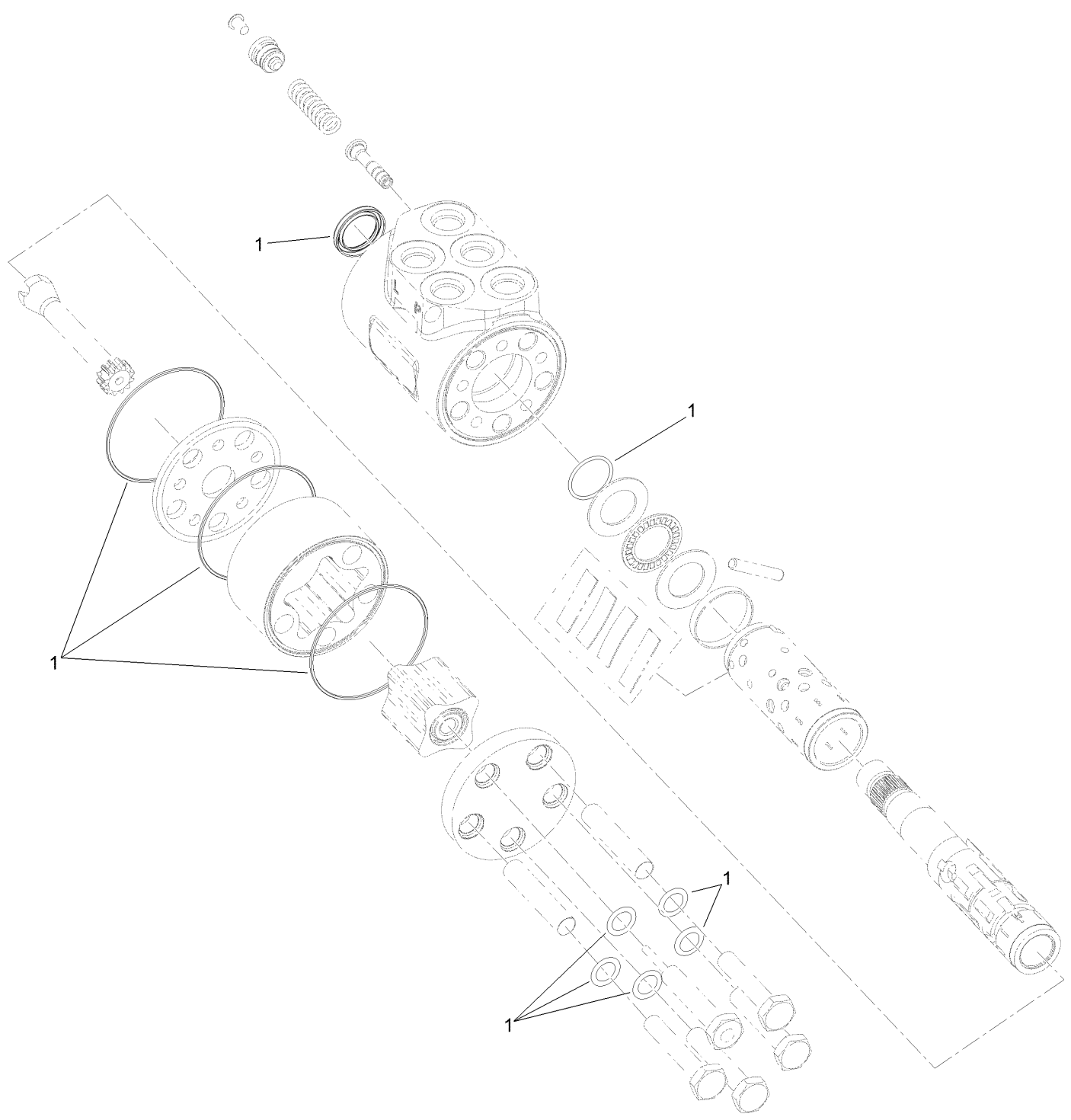


## Hydraulic Cylinder No. 139-0854

<i>Ref.</i>	<i>Part Number</i>	<i>Qty.</i>	<i>Description</i>
1	140-3110	1	Kit-Seal ●

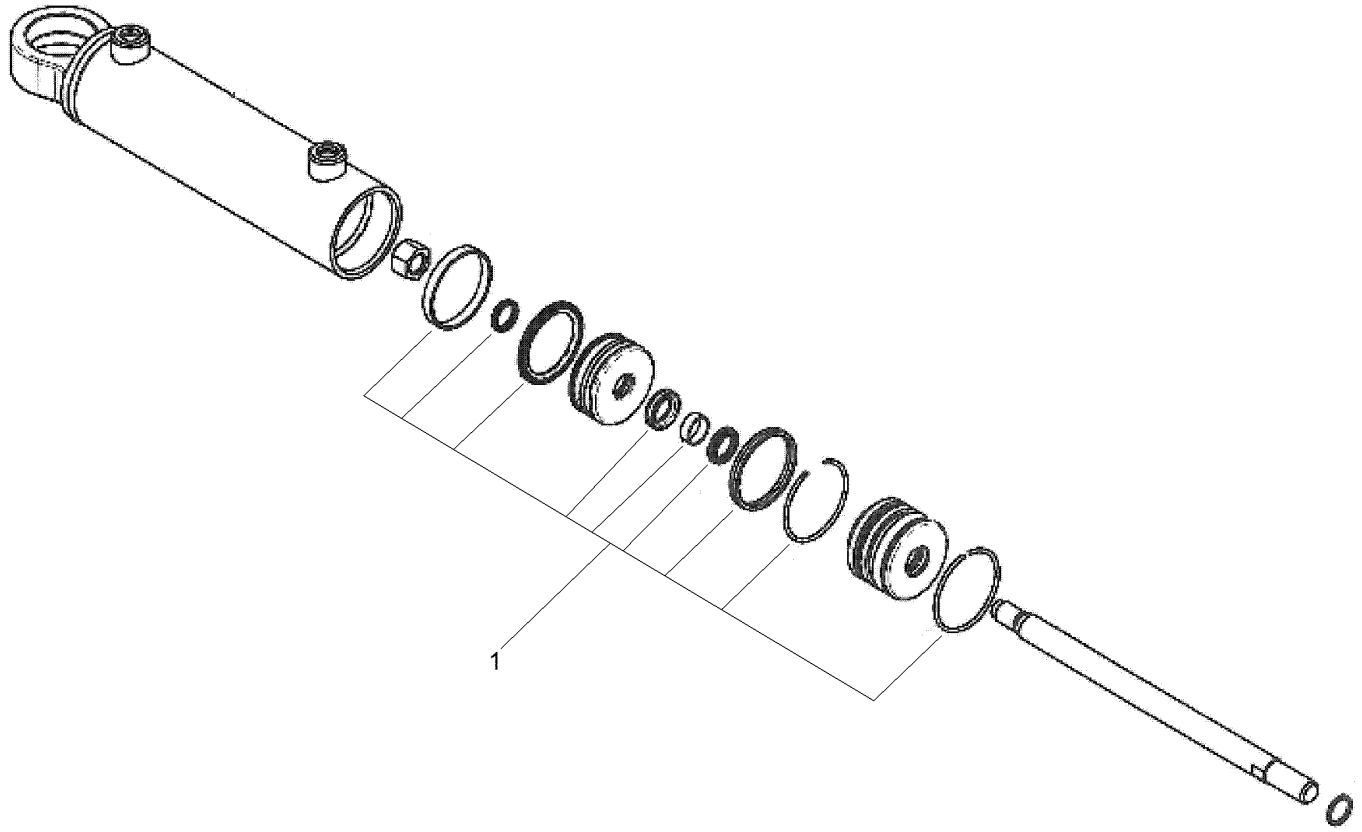
● Not illustrated

# Steering Valve Assembly No. 114-8119



# Steering Valve Assembly No. 114-8119 (continued)

<i>Ref.</i>	<i>Part Number</i>	<i>Qty.</i>	<i>Description</i>
1	106-6716	1	Seal Kit

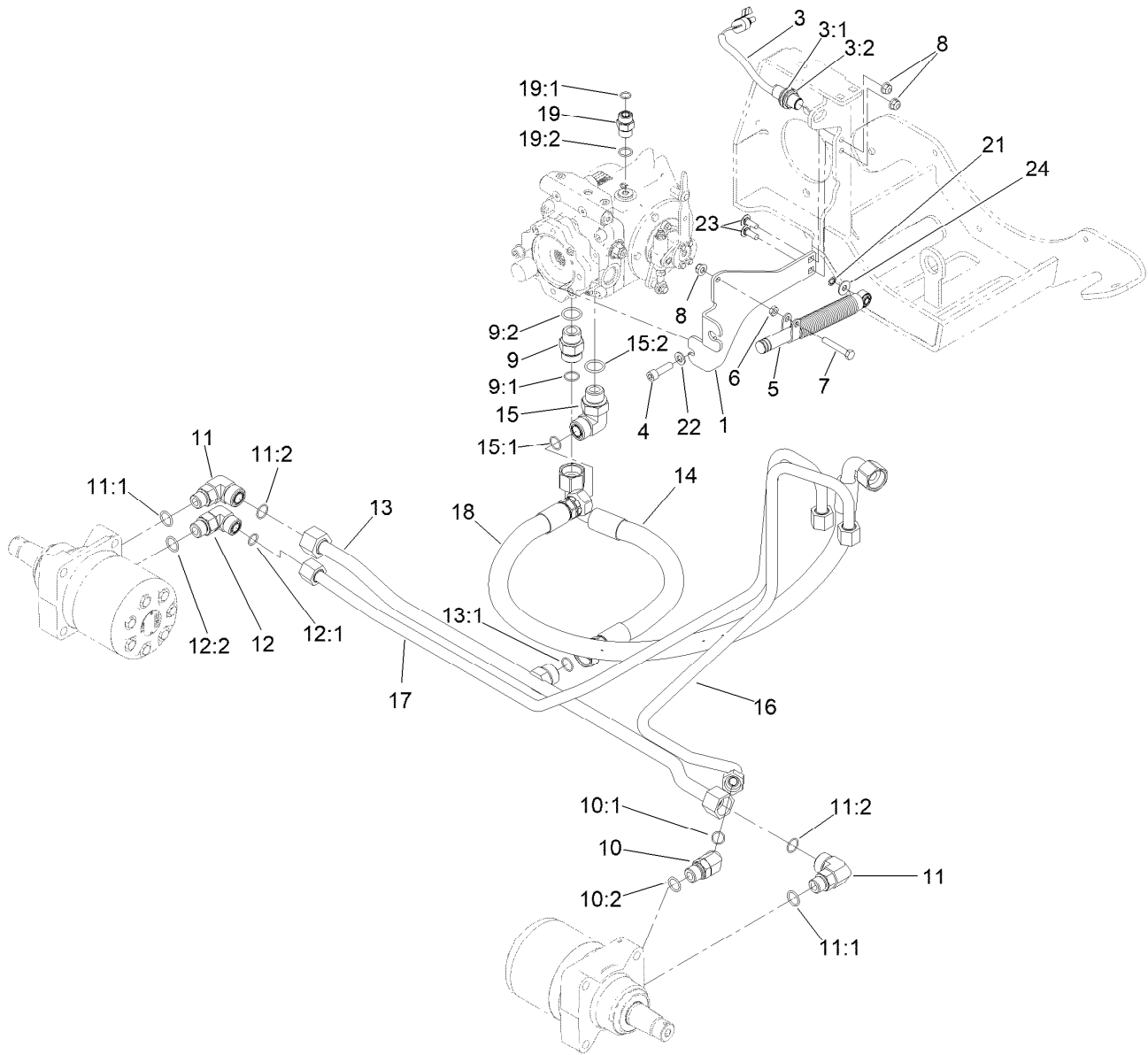


## Steering Cylinder Assembly No 139-0857

<i>Ref.</i>	<i>Part Number</i>	<i>Qty.</i>	<i>Description</i>
1	140-3120	1	Kit-Seal ●

● Not illustrated

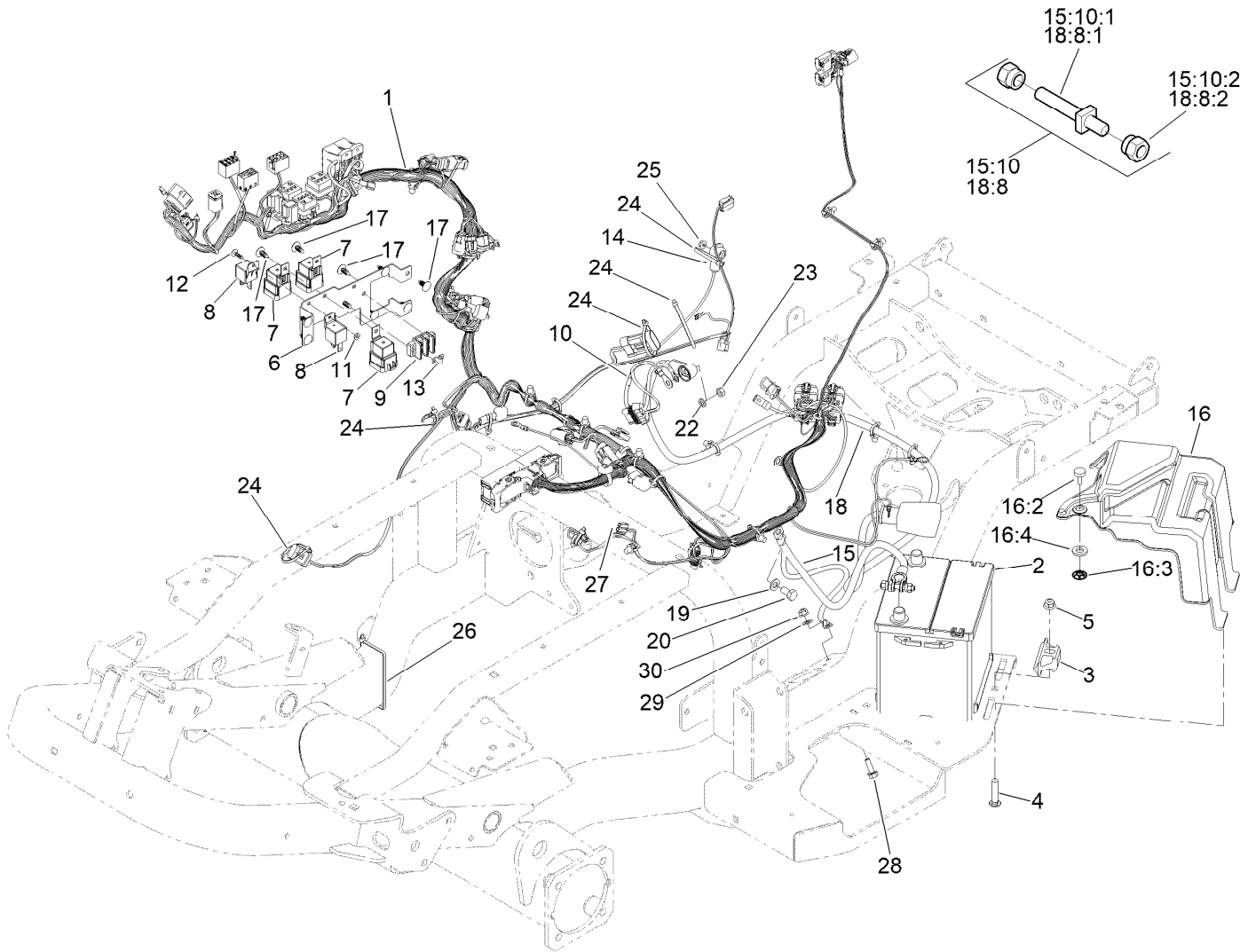




## Hydraulic Traction Assembly

Ref.	Part Number	Qty.	Description
1	145-6065-0P	1	Plate-Cable Mount
3	115-5300	1	Proximity Switch ASM
3:1	117-3207	2	Nut-Hex
3:2	117-3208	2	Washer-Lock, Internal Tooth
4	3274-1	2	Screw-HSH
5	140-6248	1	Damper
6	3218-2	1	Nut-Hex Jam
7	322-10	1	Screw-HH
8	104-8300	3	Nut-HF, NI
9	340-9	1	Fitting-STR
9:1	237-58	1	O-Ring
9:2	237-81	1	O-Ring
10	340-14	1	Fitting-HYD, 45 DEG
10:1	237-65	1	O-Ring
10:2	237-80	1	O-Ring
11	340-16	2	Fitting-HYD, 90 DEG
11:1	237-80	1	O-Ring
11:2	237-58	1	O-Ring
12	340-17	1	Fitting-Elbow, 90 DEG

Ref.	Part Number	Qty.	Description
12:1	237-65	1	O-Ring
12:2	237-80	1	O-Ring
13	138-0340	1	Hydraulic Tube ASM
13:1	237-58	1	O-Ring
14	145-5928	1	Hose ASM-Hydraulic
15	340-142	1	Fitting-Elbow, 90 DEG
15:1	237-58	1	O-Ring
15:2	237-81	1	O-Ring
16	145-5929	1	Hydraulic Tube ASM
17	145-5923	1	Hydraulic Tube ASM
18	145-5927	1	Hose ASM-Hydraulic
19	340-4	1	Fitting-Straight
19:1	237-30	1	O-Ring
19:2	237-79	1	O-Ring
21	32151-72	1	Ring-Retaining
22	145-5964	2	Washer
23	3230-10	2	Bolt-CARR
24	HDW14535	1	Flat Washer, 5/16 Nom,ST/ST,18-8

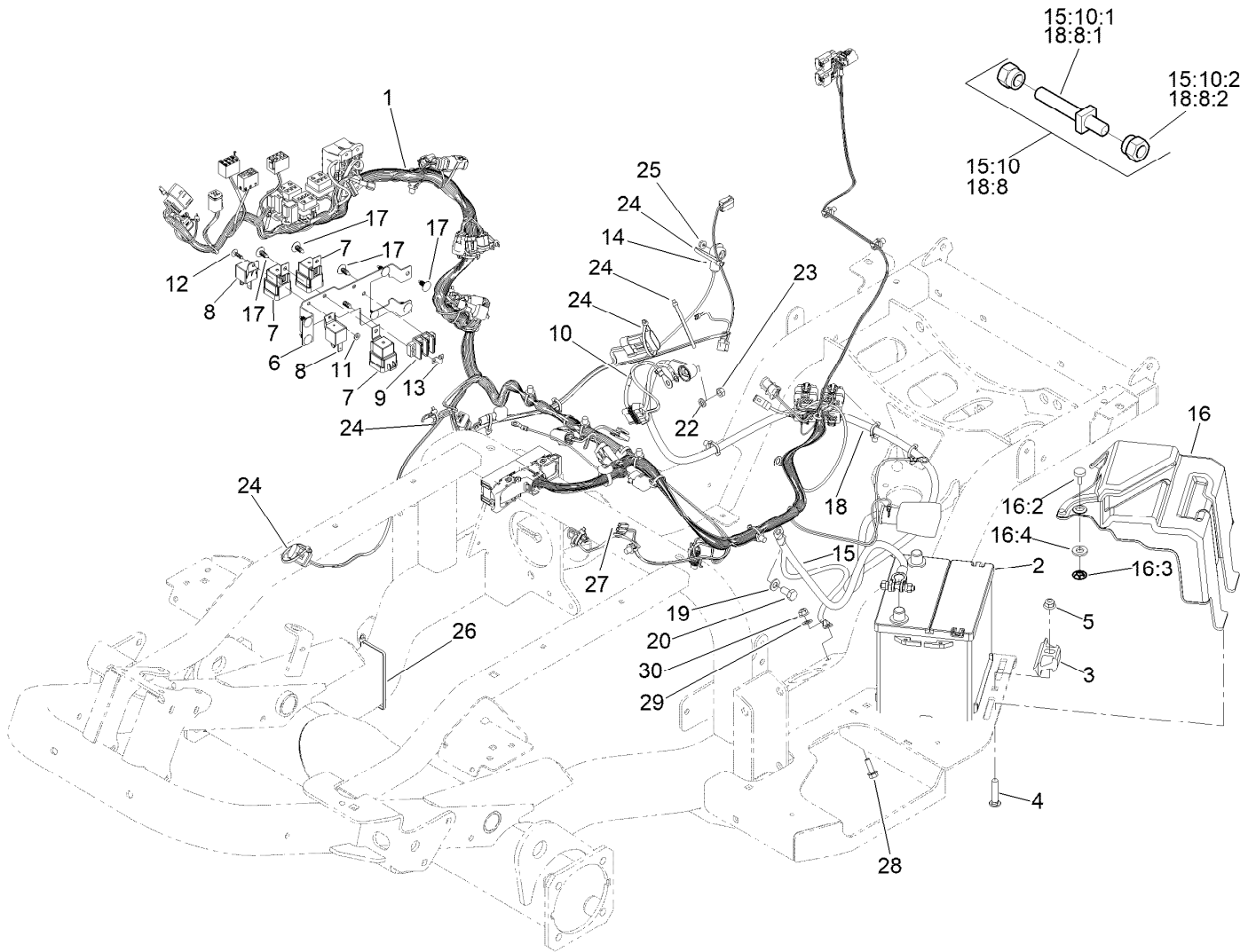


## Electrical Assembly

Ref.	Part Number	Qty.	Description	Ref.	Part Number	Qty.	Description
1	122-2517	1	Harness-Wire, Main	15:10:1	32180-107	1	Bolt-Clamp, Battery
2		1	Battery - Wet, 12V, 540 CCA ■▲	15:10:2	32180-108	2	Nut-Hex Shoulder
3	138-6335	1	Retainer-Battery	16	140-9010	1	Battery Cover ASM
4	3231-29	1	Screw-CARR	16:2	140-9033	1	Knob-Stud
5	104-8301	1	Nut-HF, NI	16:3	32115-15	1	Nut-Push
6	138-7467-0P	1	Bracket-Electrical	16:4	3256-22	1	Washer-Flat
7	99-7430	3	Relay-Mini	17	117-2382	10	Plug-Plastic
8	99-7435	2	Relay	18	122-1275	1	Cable-Battery, Positive ASM
9	42862	1	Block-Terminal, Ground	18:1	32180-115	1	Panduit, Cable Tie ●
10	99-3441	1	Harness-Wire, Fusible Link	18:8		1	Bolt ASM ●▲
11	3256-21	1	Washer-Flat	18:8:1	32180-107	1	Bolt-Clamp, Battery
12	125-8067	1	Plug-Plastic	18:8:2	32180-108	2	Nut-Hex Shoulder
13	42863	1	Strip-Jumper	19	33095-00	1	Washer-Flat
14	100-5552	1	Harness-Wire	20	33115-020	1	Screw-HH
15	122-1276	1	Cable-Battery, Negative ASM	22	3253-4	1	Washer-Lock
15:10		1	Bolt ASM ●▲	23	33014-00	1	Nut-Hex
				24	3290-378	5	Tie-Cable
				25	33003-00	1	Nut-HF

● Not illustrated  
▲ Not serviced separately

■ Obtain locally.



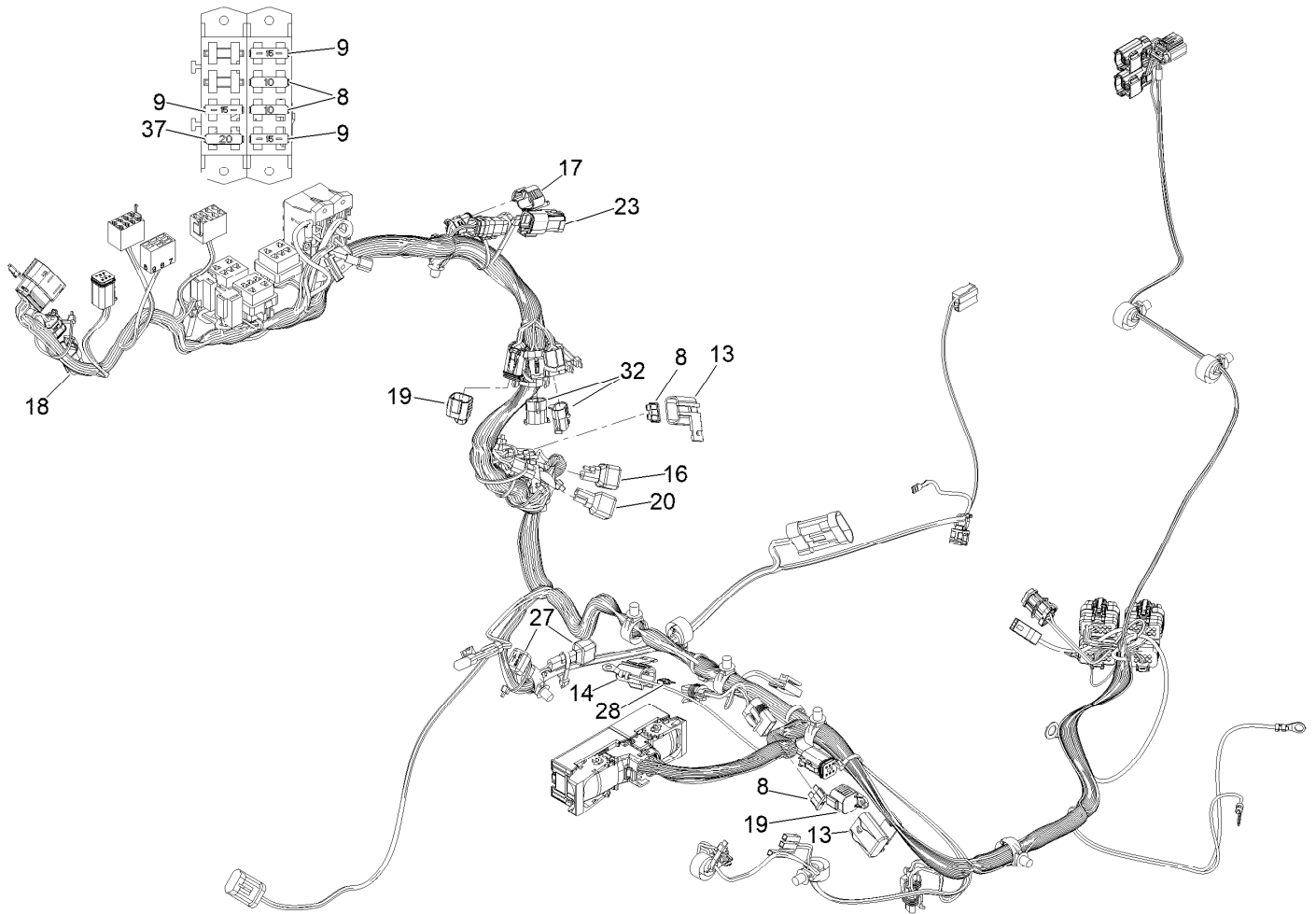
## Electrical Assembly (continued)

<i>Ref.</i>	<i>Part Number</i>	<i>Qty.</i>	<i>Description</i>	<i>Ref.</i>	<i>Part Number</i>	<i>Qty.</i>	<i>Description</i>
26	3290-379	1	Tie-Cable	29	120-9683	1	Washer-Plain
27	32180-149	1	Tie-Button Head	30	104-8300	1	Nut-HF, NI
28	3234-29	1	Screw-HHF				

● Not illustrated  
 ▲ Not serviced separately

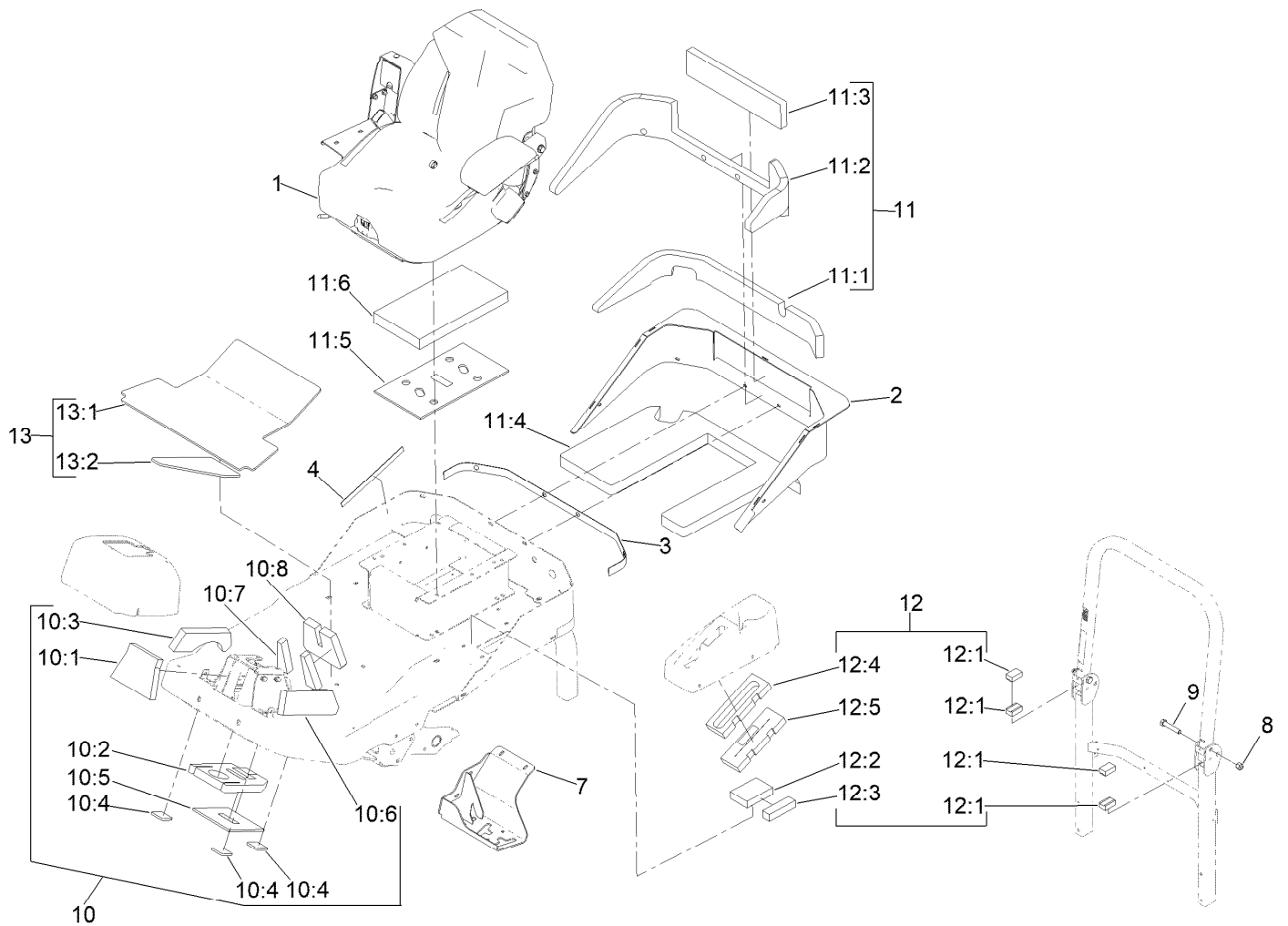
■ Obtain locally.

# Main Wire Harness Assembly No. 122-2517



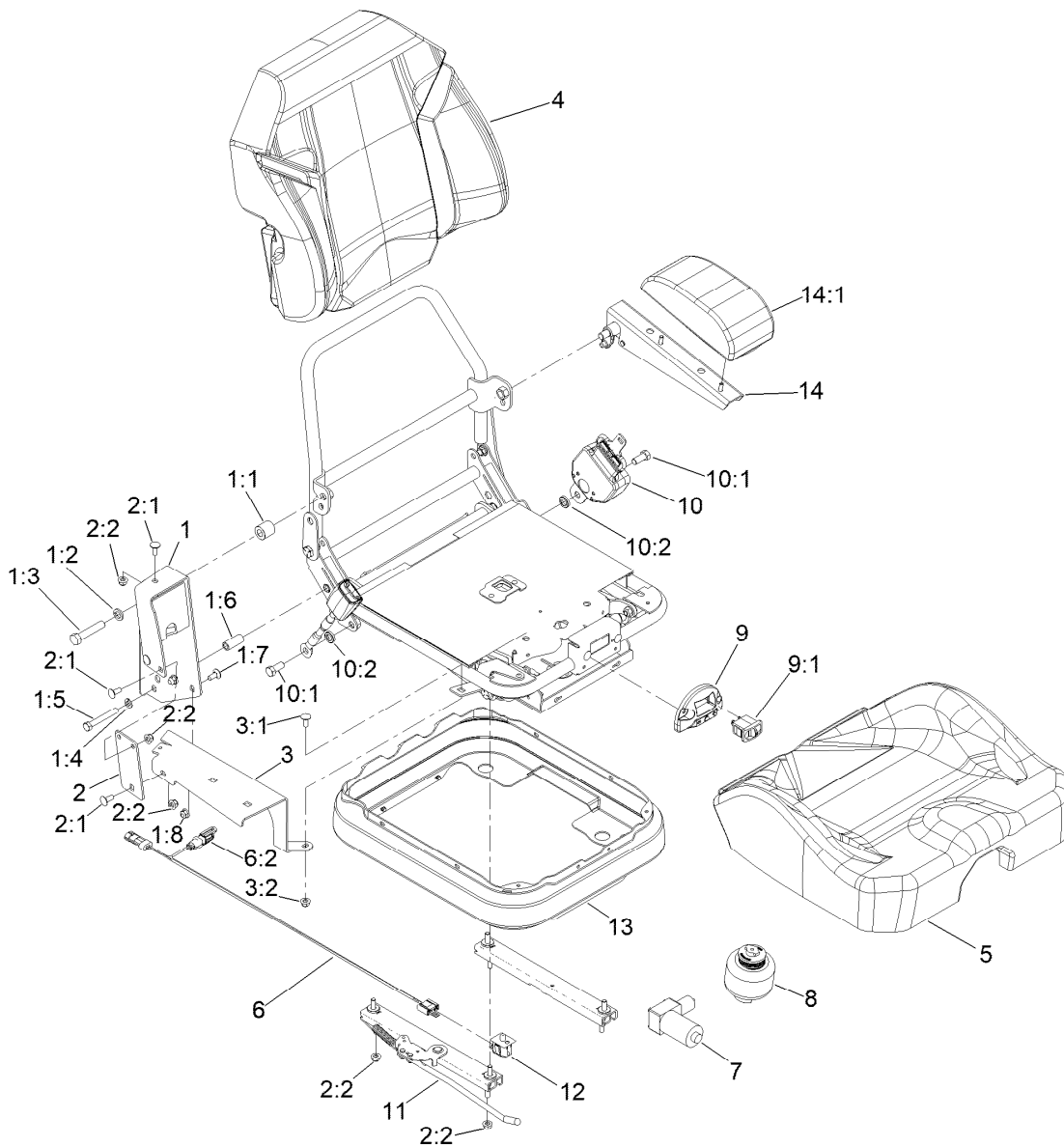
# Main Wire Harness Assembly No. 122-2517 (continued)

<i>Ref.</i>	<i>Part Number</i>	<i>Qty.</i>	<i>Description</i>	<i>Ref.</i>	<i>Part Number</i>	<i>Qty.</i>	<i>Description</i>
8	218-578	4	Fuse-Blade, 10 Amp	19	32180-156	2	Cap-Plug, 6 Way
9	109355	3	Fuse-Blade, 15 Amp	20	104-4022	1	Resistor-75 Ohm
13	32180-019	2	Cover-Fuse, Single	23	32160-359	1	Connector (6M)
14	32180-101	1	Cover-Fuse, Single	27	100-4918	2	Diode
16	108-9493	1	Diode-Tvs	28	121-8866	1	Fuse-Mini Blade, 10 Amp
17	32180-089	1	Cap-Plug, 3 Way	32	32180-056	2	Cap
18	32180-043	1	Resistor-120 Ohm	37	109101	1	Fuse-Blade, 20 Amp



## Seat, Firewall and Step Mount Assembly

<i>Ref.</i>	<i>Part Number</i>	<i>Qty.</i>	<i>Description</i>	<i>Ref.</i>	<i>Part Number</i>	<i>Qty.</i>	<i>Description</i>
1	161-0807	1	Seat ASM-Air Ride	11	144-0525	1	Kit-Foam, Sound Reduction
2	139-2035-03	1	Firewall-Upper	11:1	140-6891	1	Panel-Firewall, Sound
3	139-2039	1	Seal-Foam, Firewall	11:2	140-6892	1	Panel-Firewall, Sound
4	139-2040	2	Seal-Foam, Side	11:3	140-6893	1	Tile-Firewall, Sound
7	139-2030-03	1	Mount-Step	11:4	140-6896	1	Floor-Pad
8	3296-51	2	Nut-Lock, NI	11:5	140-6724	1	Pad-Seat Base, Sound
9	328-7	2	Screw-HH	11:6	140-6725	1	Pad-Seat Base, Sound
10	144-4028	1	Kit-Foam, Sound Reduction	12	144-0526	1	Kit-Foam, Sound Reduction
10:1	144-3640	1	Steer-Plug Front	12:1	140-6897	4	Plug-ROPS
10:2	144-3224	1	Steer-Plug	12:2	140-6898	1	Brake-Plug
10:3	144-3639	1	Steer-Plug Right	12:3	140-6899	1	Brake-Plug
10:4	144-3227	3	Steering-Pad	12:4	144-3221	1	Brake-Plug
10:5	144-3228	1	Steering-Pad	12:5	144-3222	1	Brake-Plug
10:6	144-3638	1	Steer-Plug Left	13	144-0527	1	Kit-Foam, Sound Reduction
10:7	144-3641	2	Steer-Plug	13:1	144-3233	1	Floor-Pad, Center
10:8	144-3637	1	Steer-Plug Bottom	13:2	144-3234	1	Floor-Pad, Corner

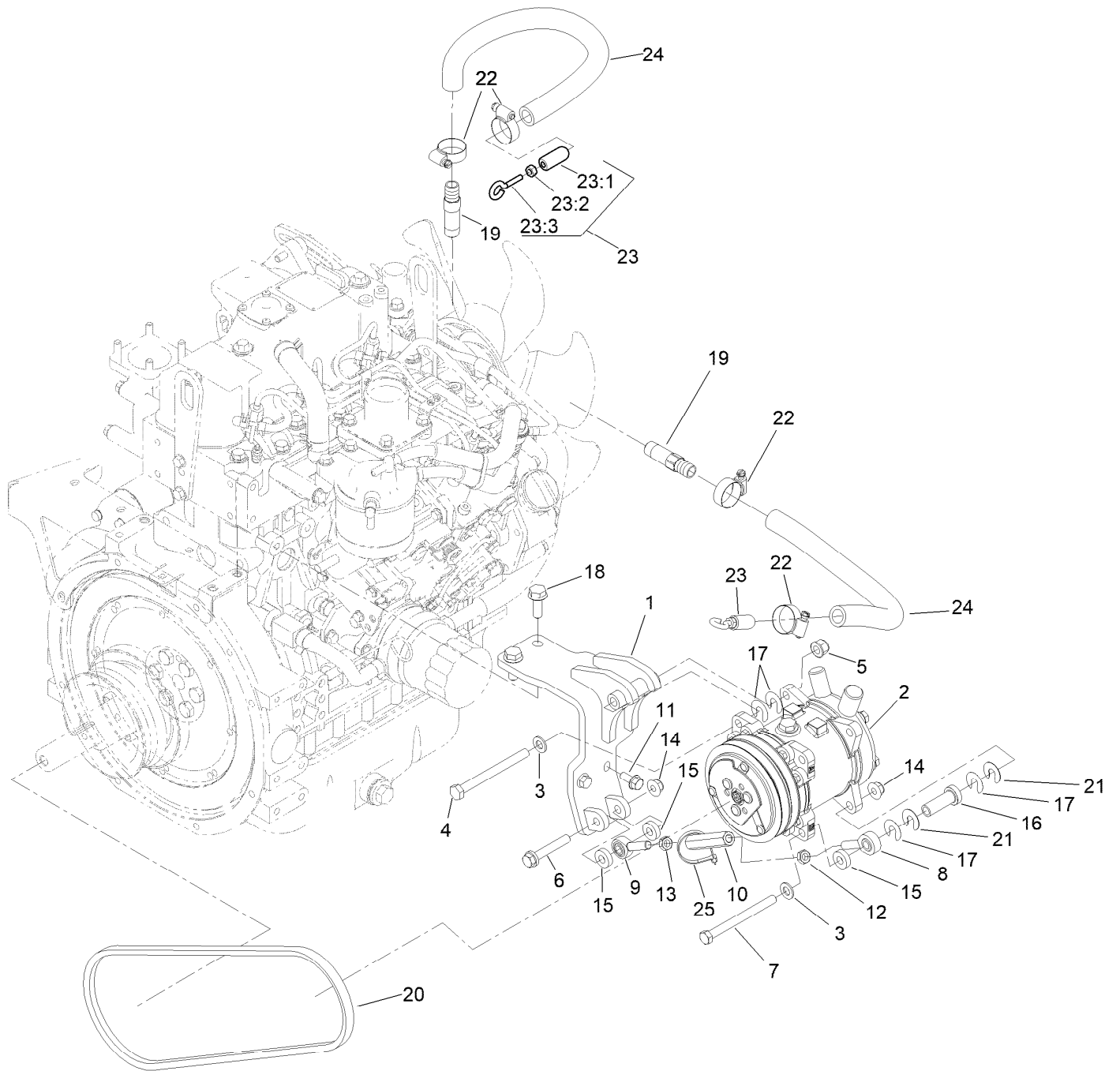


## Air Ride Suspension Seat Assembly No. 161-0807

Ref.	Part Number	Qty.	Description	Ref.	Part Number	Qty.	Description
1	140-7112	1	Kit-Console Mount, Upper	5	125-3111	1	Cover-Cushion
1:1	140-7113	1	Spacer	6	122-2735	1	Harness-Wire, Seat
1:2	3253-7	1	Washer-Lock	6:2	32180-091	1	Cap-Dust, 2 Way
1:3	325-10	1	Screw-HH	7	140-7120	1	Kit-Air Compressor
1:4	3253-21	1	Washer-Lock	8	140-7121	1	Kit-Air Bag
1:5	323-13	1	Screw-HH	9	140-7122	1	Kit-Air Valve
1:6	140-7114	1	Spacer	9:1	126-2747	1	Valve-Air Adjust
1:7	3230-23	2	Bolt-CARR	10	140-7116	1	Kit-Seat Belt
1:8	104-8300	2	Nut-HF, NI	10:1	3212-4	2	Screw-HH
2	140-7103	1	Kit-Bracket	10:2	140-7108	2	Spacer
2:1	3230-23	4	Bolt-CARR	11	144-0458	1	Kit-Track
2:2	104-8300	8	Nut-HF, NI	12	145-3520	1	Switch-Plunger, On-(On)
3	140-7115	1	Kit-Console Mount, Lower	13	126-8559	1	Bellows-Seat
3:1	3230-23	1	Bolt-CARR	14	140-7110	1	Armrest-Deluxe, With Pad
3:2	104-8300	1	Nut-HF, NI	14:1	140-7111	1	Pad-Armrest
4	125-3112	1	Cover-Back	99	140-7119	1	Harness-Air Ride ●

● Not illustrated

# Compressor and Belt Assembly



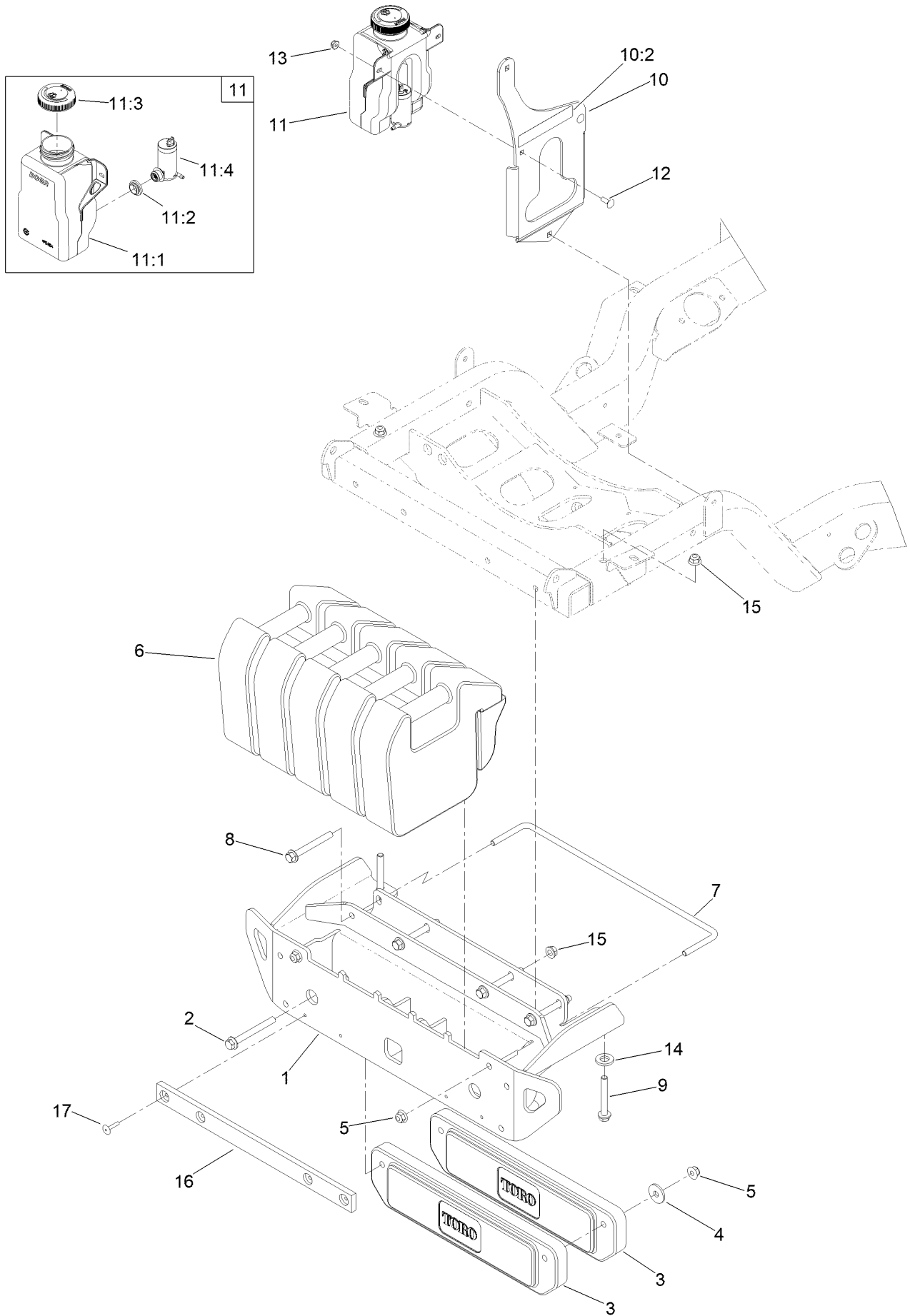


## Compressor and Belt Assembly (continued)

<i>Ref.</i>	<i>Part Number</i>	<i>Qty.</i>	<i>Description</i>	<i>Ref.</i>	<i>Part Number</i>	<i>Qty.</i>	<i>Description</i>
1	138-7435-0P	1	Bracket-Compressor Mount [prime	15	5-0652	3	Spacer
2	119-0103	1	Compressor	16	139-0873	1	Spacer
3	33095-00	2	Washer-Flat	17	119-7734	10	Shim
4	33115-110	1	Screw-HH	18	33105-030	2	Screw-HHF
5	103-9511	1	Nut-Lock, NI	19	139-2236	2	Fitting-STR Spcl
6	100-2592	1	Screw-HHF	20	106-4498	1	Belt-V
7	119-0723	1	Screw-HH, Lock	21	139-6205	4	Shim
8	1-613204	1	Balljoint	22	2412-119	4	Clamp-Hose
9	125-4389	1	Bearing-End, Rod	23		2	Plug-Hose, ASM ●
10	136-7390	1	Turnbuckle	23:1	139-1904	1	Plug-Hose
11	33104-020	2	Screw-HHF	23:2	3217-5	1	Nut-Hex
12	3220-3	1	Nut-HJ	23:3	71-2870	1	Bolt-Eye
13	3220-16	1	Nut-Hex Jam, LH	24	140-6560	2	Hose-Heater, 5/8
14	104-8301	2	Nut-HF, NI	25	3290-378	1	Tie-Cable

● Not serviced separately

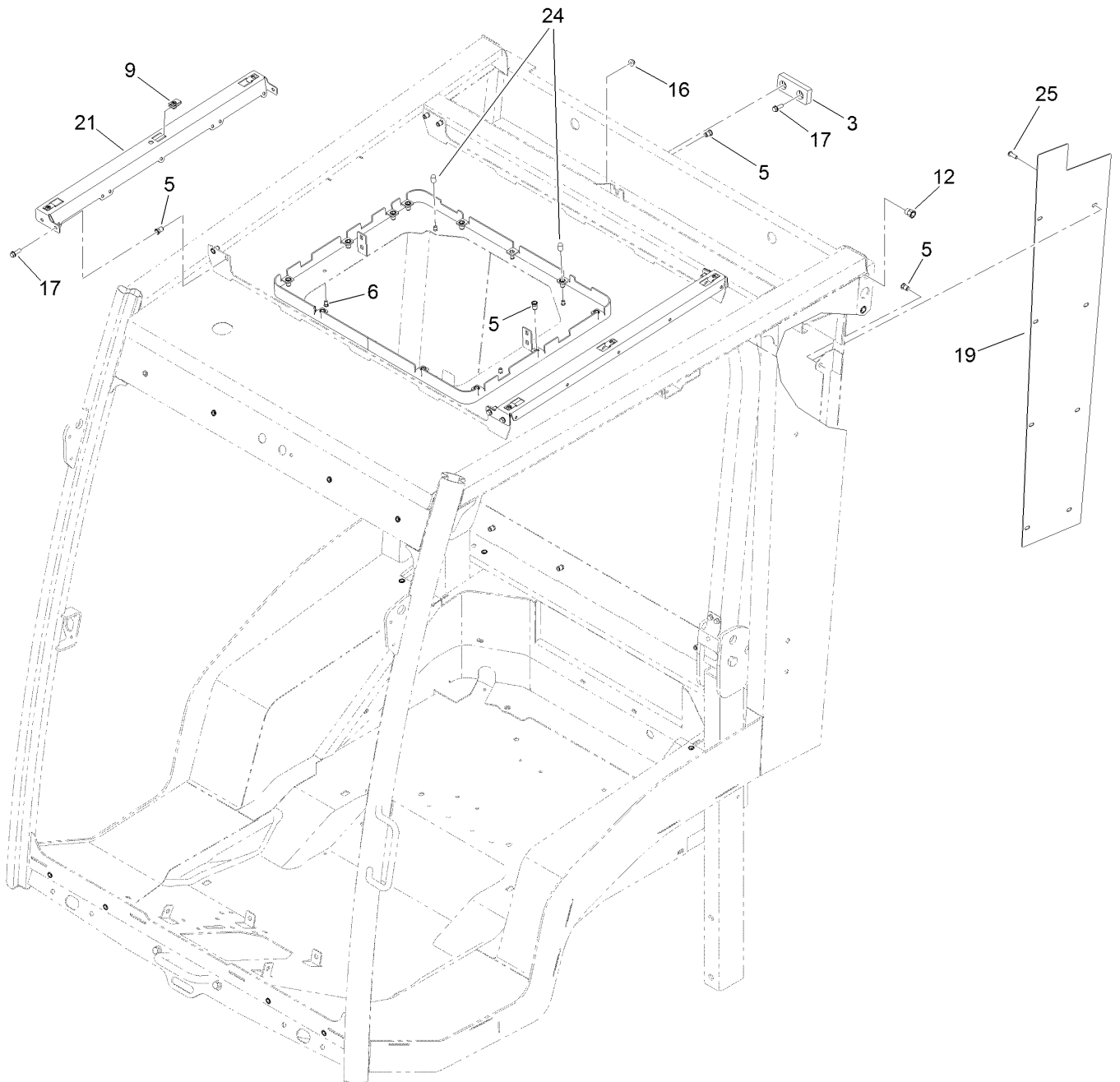
# Bumper and Weight Assembly



## Bumper and Weight Assembly (continued)

<i>Ref.</i>	<i>Part Number</i>	<i>Qty.</i>	<i>Description</i>	<i>Ref.</i>	<i>Part Number</i>	<i>Qty.</i>	<i>Description</i>
1	145-5981SP	1	Bumper-Rear Wa	11	140-6665	1	Tank-Fluid, Washer (1.1L)
2	116-4701	2	Screw-HHF	11:1	140-6666	1	Tank
3	112-7059-01	2	Weight-Cast	11:2	140-6667	1	Grommet
4	125-9676	2	Washer-Backup	11:3	140-6669	1	Cap-Washer
5	104-8301	4	Nut-HF, NI	11:4	140-6668	1	Pump-Washer
6	114-4096	5	Weight	12	3229-1	2	Screw-CARR
7	125-2667	1	Lock-Weight	13	104-7201	2	Nut-HF, NI
8	3234-41	4	Screw-HHF	14	3256-24	2	Washer-Plain
9	139-2429	2	Screw-HHF	15	32128-43	6	Nut-Flange
10	144-3252	1	Mount-Washer	16	144-4014	1	Bumper-Rubber
10:2	93-7272	1	Decal-Warning	17	3269-11	4	Rivet-Pop

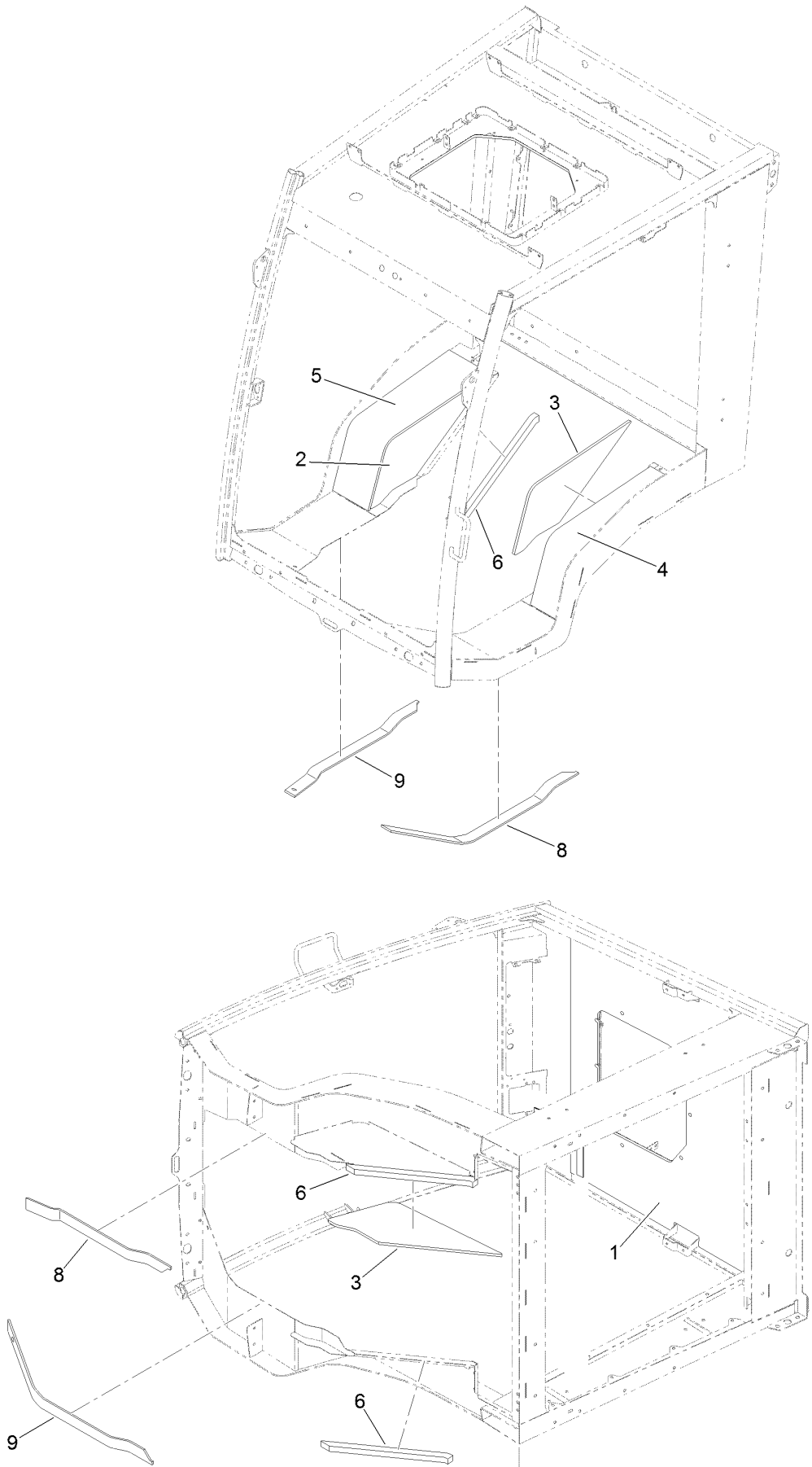
# Frame, Mount and Seals Assembly



## Frame, Mount and Seals Assembly (continued)

<i>Ref.</i>	<i>Part Number</i>	<i>Qty.</i>	<i>Description</i>	<i>Ref.</i>	<i>Part Number</i>	<i>Qty.</i>	<i>Description</i>
3	86-5350	4	Bumper-Rubber	17	32105-15	16	Screw-HWH
5	138-2760	69	Nut-Clinch, Hex	19	137-1167-03	2	Cover-Post, Rear
6	137-1225	8	Nut-Clinch,Hex	21	139-2158-03	2	Bracket-Mount, Roof
9	107069	6	Clip	24	139-2180	2	Plug-Cap, Plastic
12	138-2899	4	Nut-Clinch	25	32105-15	16	Screw-HWH
16	104-7201	8	Nut-HF, NI				

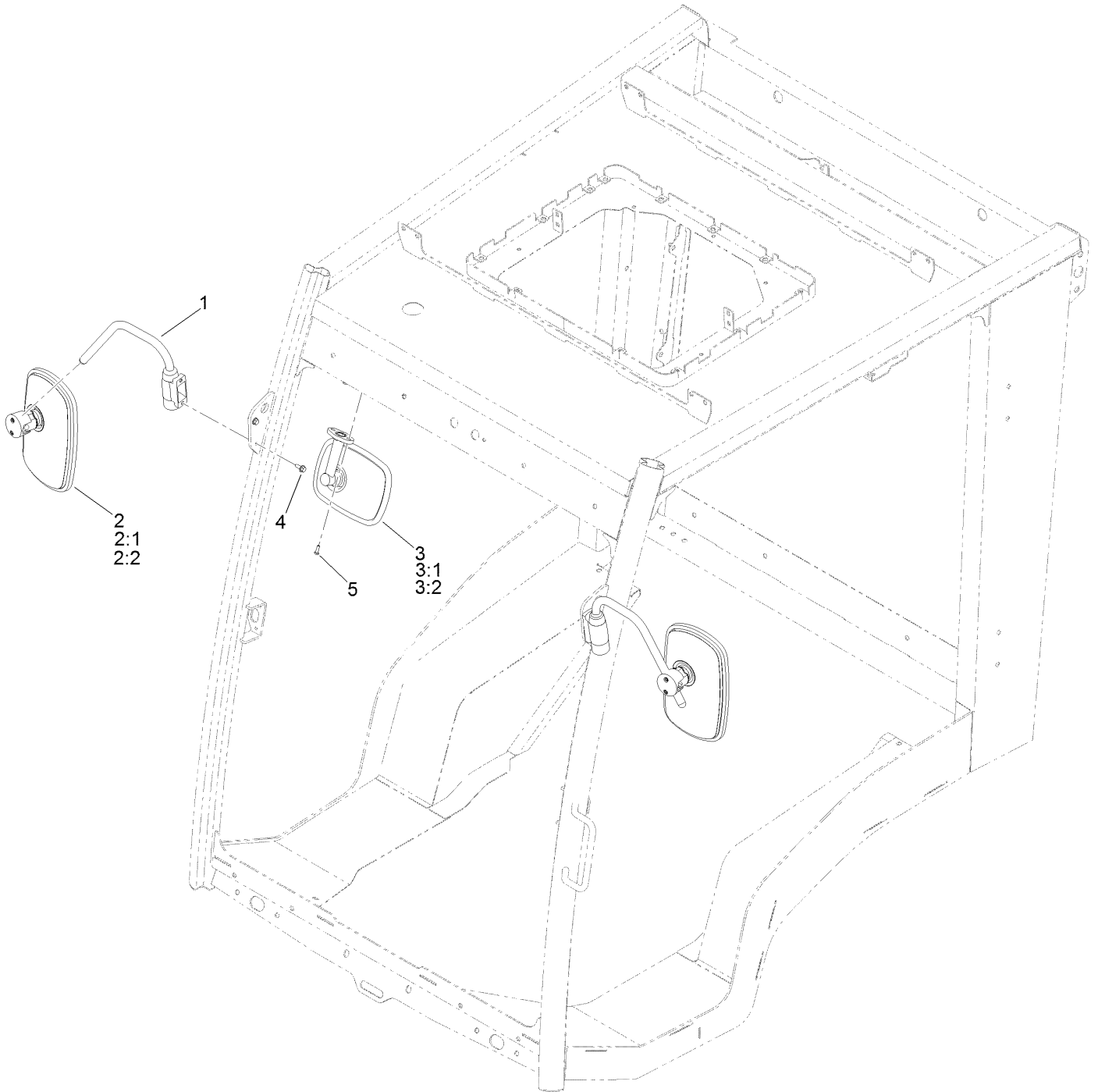
# Interior Foam and Carpet Assembly



## Interior Foam and Carpet Assembly (continued)

<i>Ref.</i>	<i>Part Number</i>	<i>Qty.</i>	<i>Description</i>	<i>Ref.</i>	<i>Part Number</i>	<i>Qty.</i>	<i>Description</i>
1	140-1499	1	Foam-Interior Roof	5	139-1968	1	Carpet-Interior, Tank RH
2	139-1966	1	Carpet-Interior, Side RH	6	139-2003	2	Seal-Foam, Side
3	139-1965	1	Carpet-Interior, Side LH	8	139-2004	1	Seal-Foam, LH
4	139-1967	1	Carpet-Interior, Tank LH	9	139-2005	1	Seal-Foam, RH

# Cab Mirrors Assembly

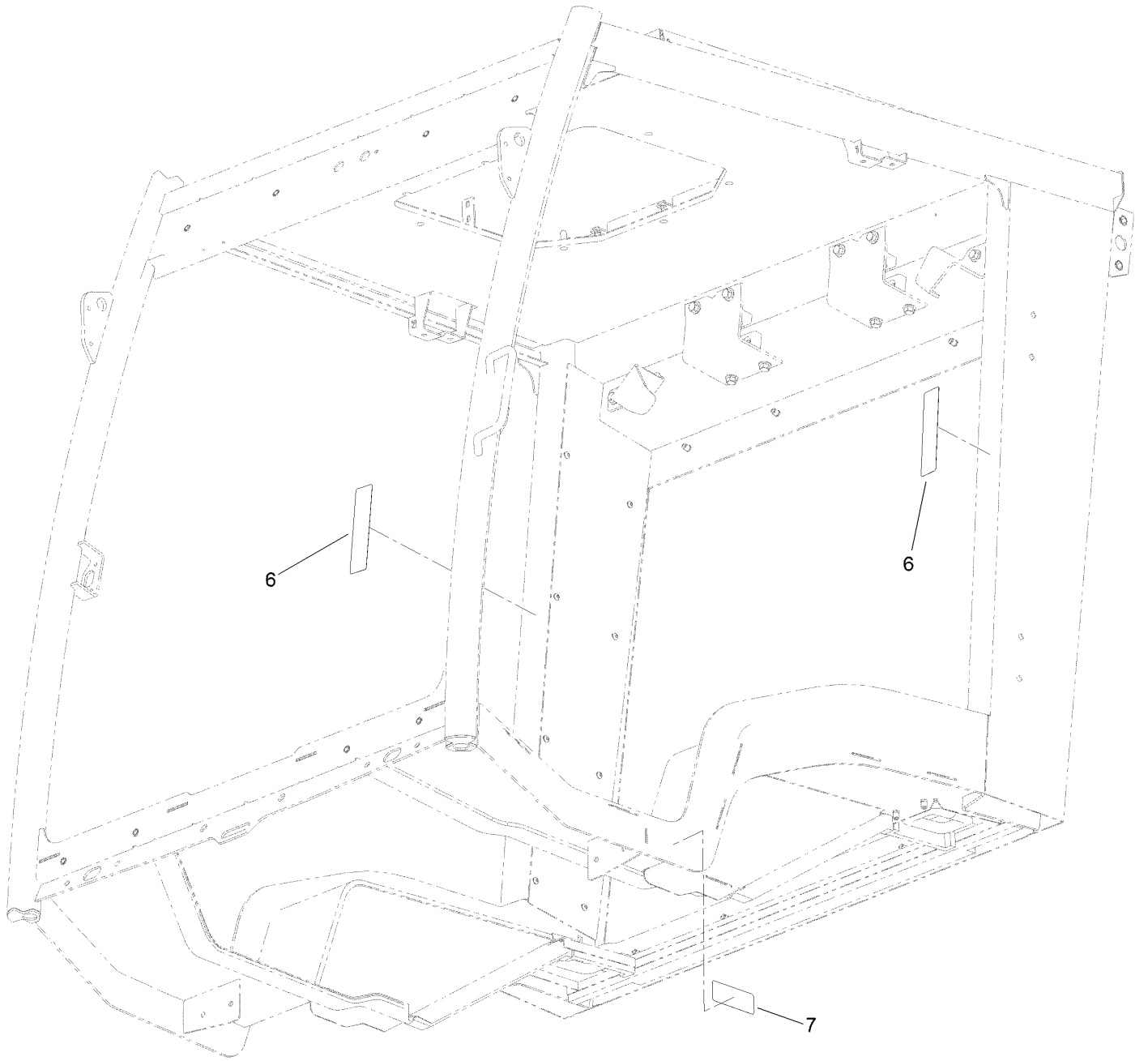




## Cab Mirrors Assembly (continued)

<i>Ref.</i>	<i>Part Number</i>	<i>Qty.</i>	<i>Description</i>	<i>Ref.</i>	<i>Part Number</i>	<i>Qty.</i>	<i>Description</i>
1	121-8275	2	Arm-Mirror, Side	3:1	121-8342	1	Mirror
2	121-8341	2	Side Mirror ASM	3:2	121-8389	1	Gasket
2:1	121-8340	1	Mirror	4	33103-016	4	Screw-HHF
2:2	121-8339	1	Gasket	5	32144-32	2	Screw
3	121-8343	1	Interior Mirror ASM				

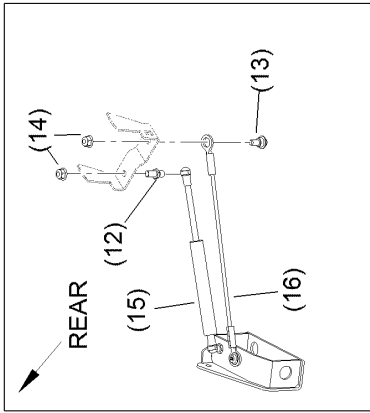
# Decal Assembly



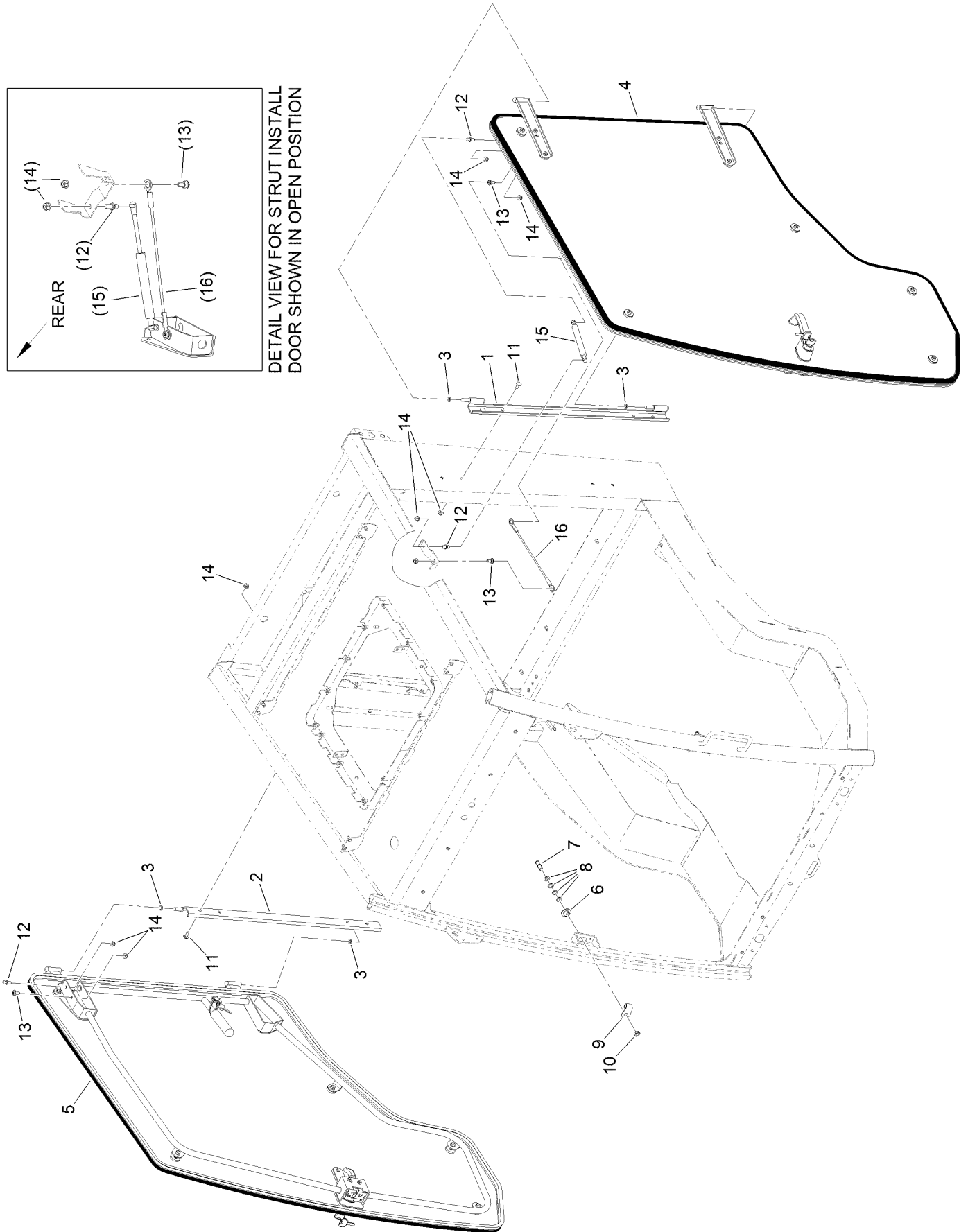
## Decal Assembly (continued)

<i>Ref.</i>	<i>Part Number</i>	<i>Qty.</i>	<i>Description</i>
6	130-0594	2	Decal-Warning
7	106-9206	2	Decal-Torque, Wheel

# Door Assembly



DETAIL VIEW FOR STRUT INSTALL  
DOOR SHOWN IN OPEN POSITION

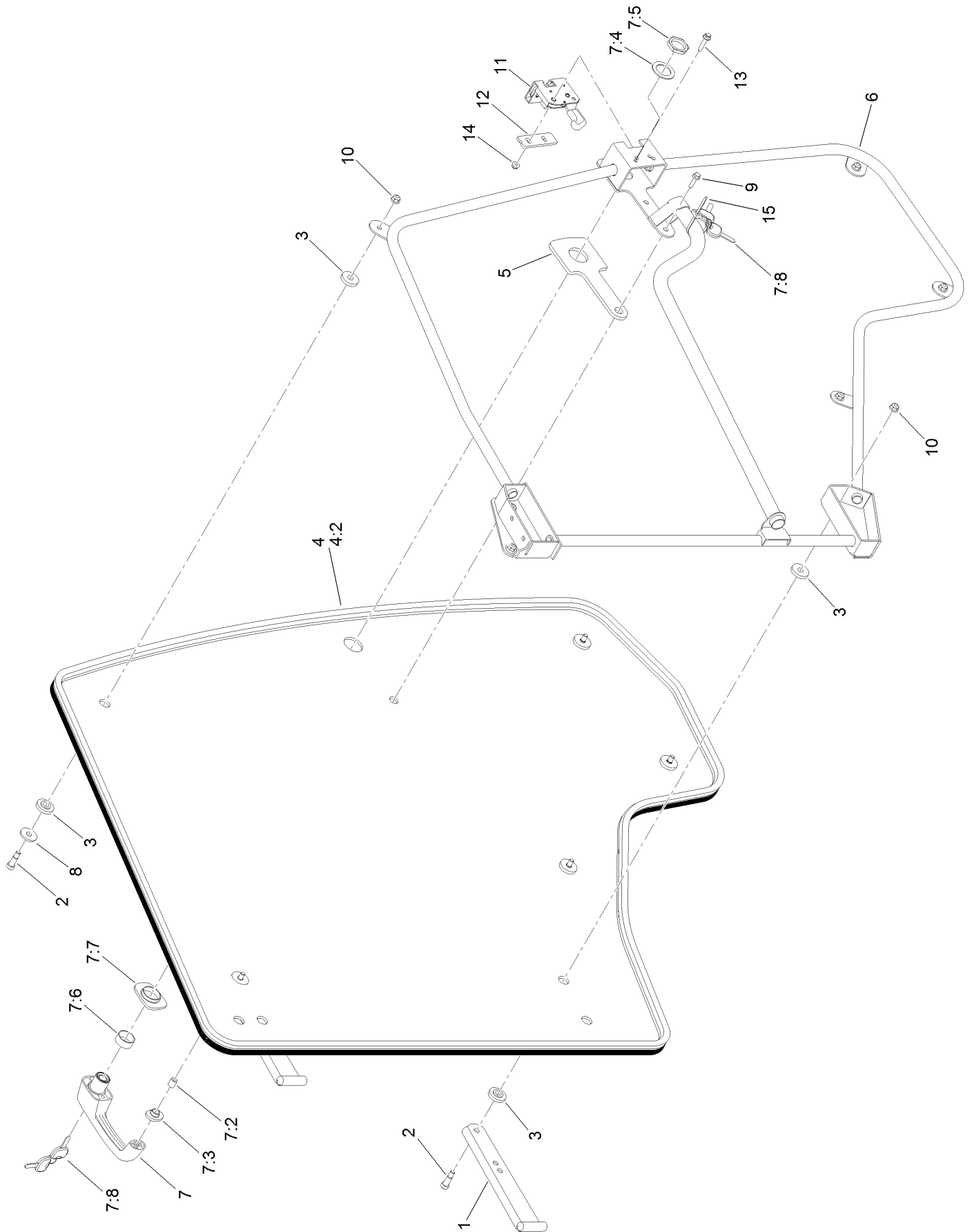


## Door Assembly (continued)

<i>Ref.</i>	<i>Part Number</i>	<i>Qty.</i>	<i>Description</i>	<i>Ref.</i>	<i>Part Number</i>	<i>Qty.</i>	<i>Description</i>
1	138-2944-03	1	Mount-Door, LH	9	121-8393	2	Guard-Striker
2	138-2945-03	1	Mount-Door, RH	10	140-4431	2	Nut-Hex, Jam
3	121-8441	4	Washer-Spacer	11	3230-23	8	Bolt-CARR
4		1	LH Door ASM ●	12	98-3104	4	Stud-Ball
5		1	RH Door ASM ●	13	120-9471	4	Bolt-Shoulder
6	125-9992	2	Adjuster-Stud	14	104-8300	16	Nut-HF, NI
7	140-4422	2	Striker-Stud	15	144-3517	2	Spring-Gas, Door
8	73-0040	8	Washer-Thrust	16	140-1636	2	Lanyard-Coated

● Not serviced separately

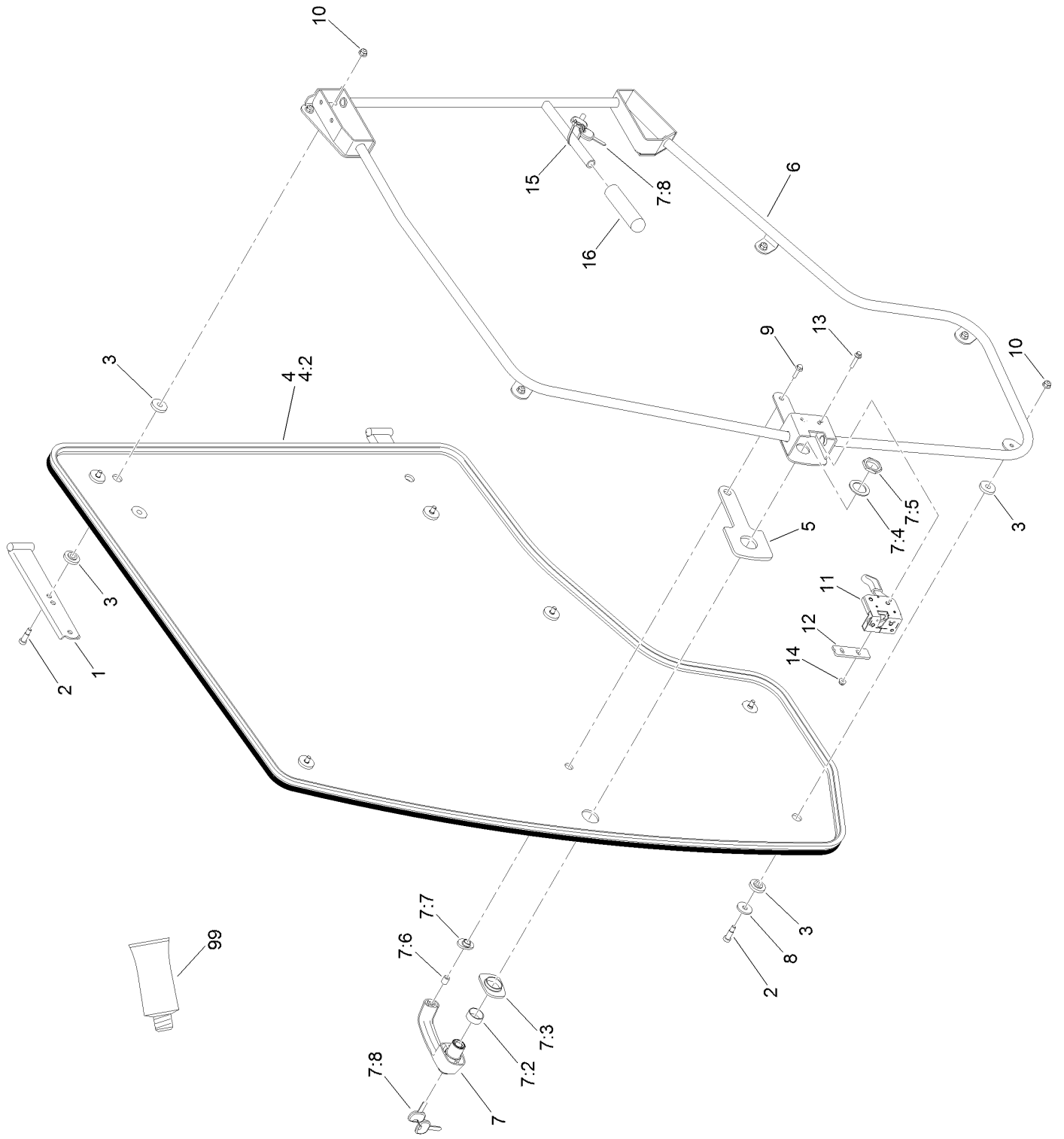
# LH Door Assembly



## LH Door Assembly (continued)

<i>Ref.</i>	<i>Part Number</i>	<i>Qty.</i>	<i>Description</i>	<i>Ref.</i>	<i>Part Number</i>	<i>Qty.</i>	<i>Description</i>
1	132-3622-03	2	Hinge-Door, LH	7:6	121-8627	1	Cylinder-Mounting, End
2	125-9520	9	Screw-Shoulder, HSH	7:7	121-8323	1	Grommet-Mounting, Small
3	125-9982	18	Bushing-Flange	7:8	125-9531	1	Key-Set
4	137-1207	1	LH Glass Door ASM	8	125-9676	5	Washer-Backup
4:2	137-1205	1	Trim-Seal, Door	9	33103-025	1	Screw-HHF
5	121-8331	1	Gasket-Handle	10	104-8300	9	Nut-HF, NI
6	140-6552-03	1	Frame-Door, LH	11	121-8391	1	Latch-LH
7	121-8630	1	Handle ASM	12	121-8395	1	Plate-Support, Latch
7:2	121-8628	1	Cylinder-Mounting, Key	13	3234-21	2	Screw-HHF
7:3	121-8322	1	Grommet-Mounting, Large	14	104-7201	2	Nut-HF, NI
7:4	121-8327	1	Washer	15	3290-378	1	Tie-Cable
7:5	121-8328	1	Nut				

# RH Door Assembly

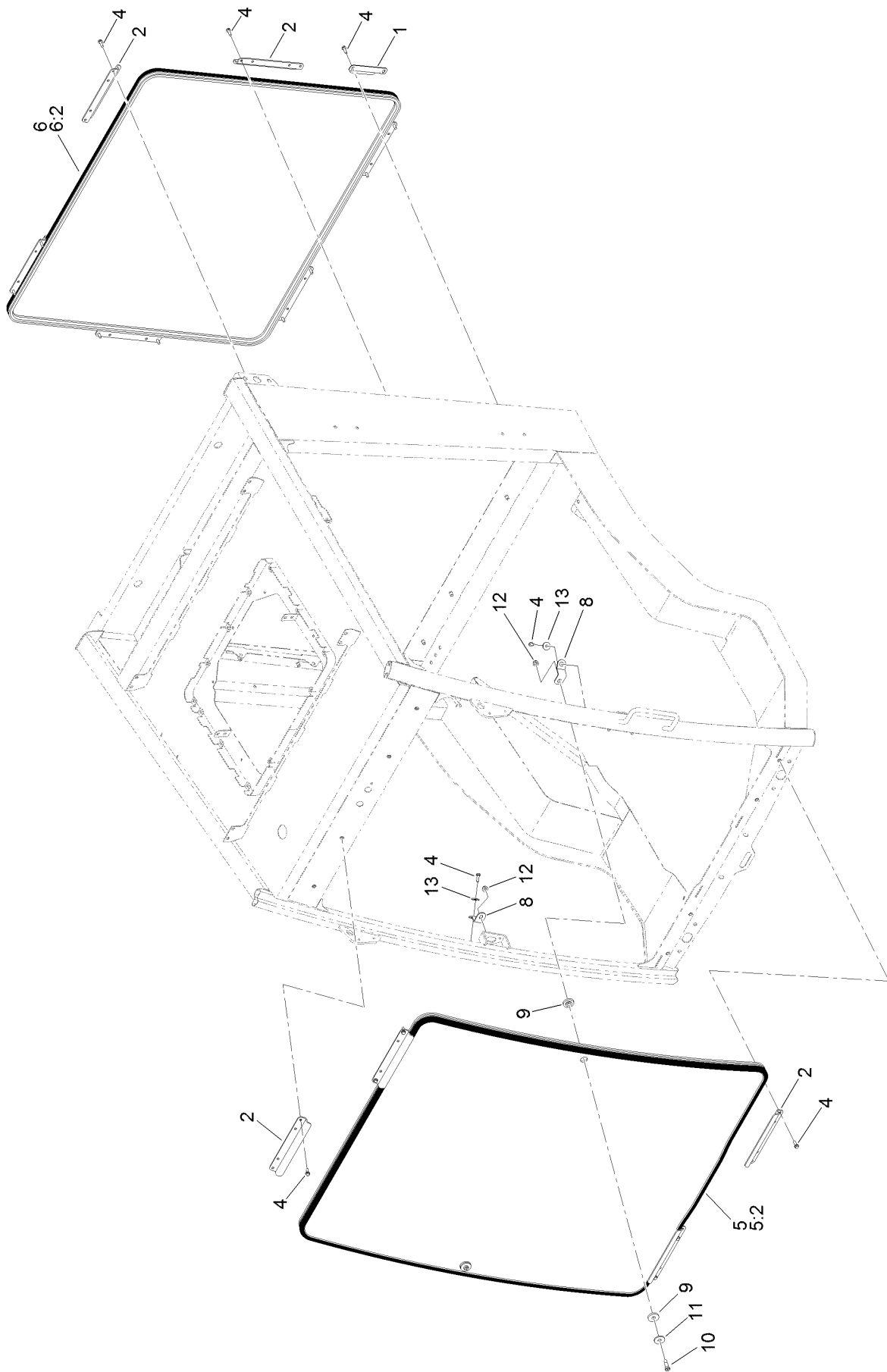




## RH Door Assembly (continued)

<i>Ref.</i>	<i>Part Number</i>	<i>Qty.</i>	<i>Description</i>	<i>Ref.</i>	<i>Part Number</i>	<i>Qty.</i>	<i>Description</i>
1	132-3636-03	2	Hinge-Door, RH	7:7	121-8323	1	Grommet-Mounting, Small
2	125-9520	9	Screw-Shoulder, HSH	7:8	125-9531	1	Key-Set
3	125-9982	18	Bushing-Flange	8	125-9676	5	Washer-Backup
4	137-1208	1	RH Glass Door ASM	9	33103-025	1	Screw-HHF
4:2	137-1205	1	Trim-Seal, Door	10	104-8300	9	Nut-HF, NI
5	121-8331	1	Gasket-Handle	11	121-8390	1	Latch-RH
6	140-6553-03	1	Frame-Door, RH	12	121-8395	1	Plate-Support, Latch
7	121-8630	1	Handle ASM	13	3234-21	2	Screw-HHF
7:2	121-8628	1	Cylinder-Mounting, Key	14	104-7201	2	Nut-HF, NI
7:3	121-8322	1	Grommet-Mounting, Large	15	3290-378	1	Tie-Cable
7:4	121-8327	1	Washer	16	110-1037	1	Grip-Handle
7:5	121-8328	1	Nut	99	505-42	1	Adhesive-Loctite
7:6	121-8627	1	Cylinder-Mounting, End				

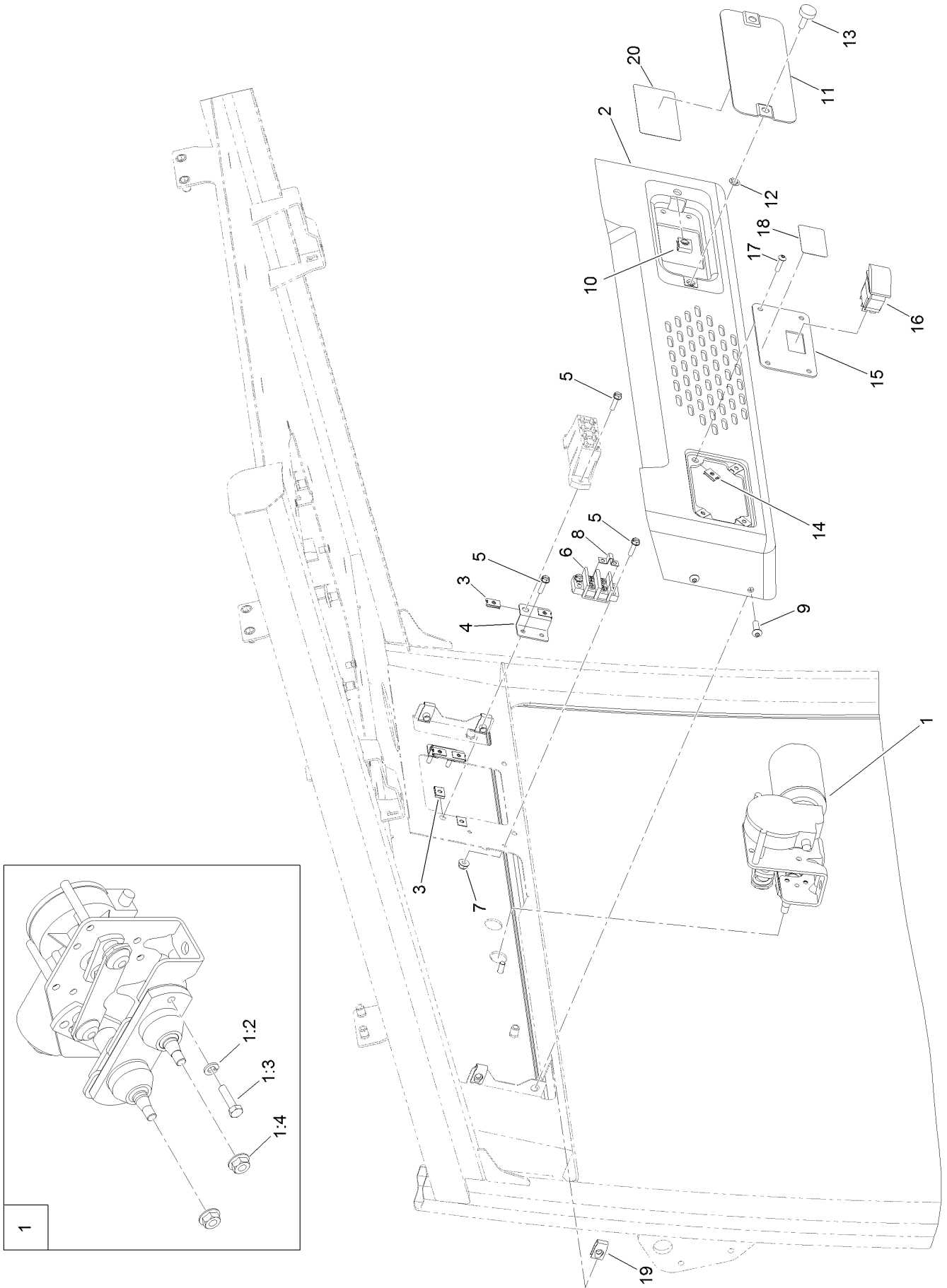
# Front and Rear Glass Assembly



## Front and Rear Glass Assembly (continued)

<i>Ref.</i>	<i>Part Number</i>	<i>Qty.</i>	<i>Description</i>	<i>Ref.</i>	<i>Part Number</i>	<i>Qty.</i>	<i>Description</i>
1	140-6575-03	2	Bracket-Cover	8	140-4432	2	Bracket-Mount, Window
2	139-2313-03	10	Bracket-Retainer	9	125-9982	4	Bushing-Flange
4	32105-15	26	Screw-HWH	10	125-9520	2	Screw-Shoulder, HSH
5	137-1209	1	Glass Windshield ASM	11	125-9676	2	Washer-Backup
5:2	139-2263	1	Trim-Seal, Windshield	12	104-8300	2	Nut-HF, NI
6	139-1971	1	Rear Window ASM	13	3256-67	2	Washer
6:2	138-2895	1	Trim-Glass.Rear				

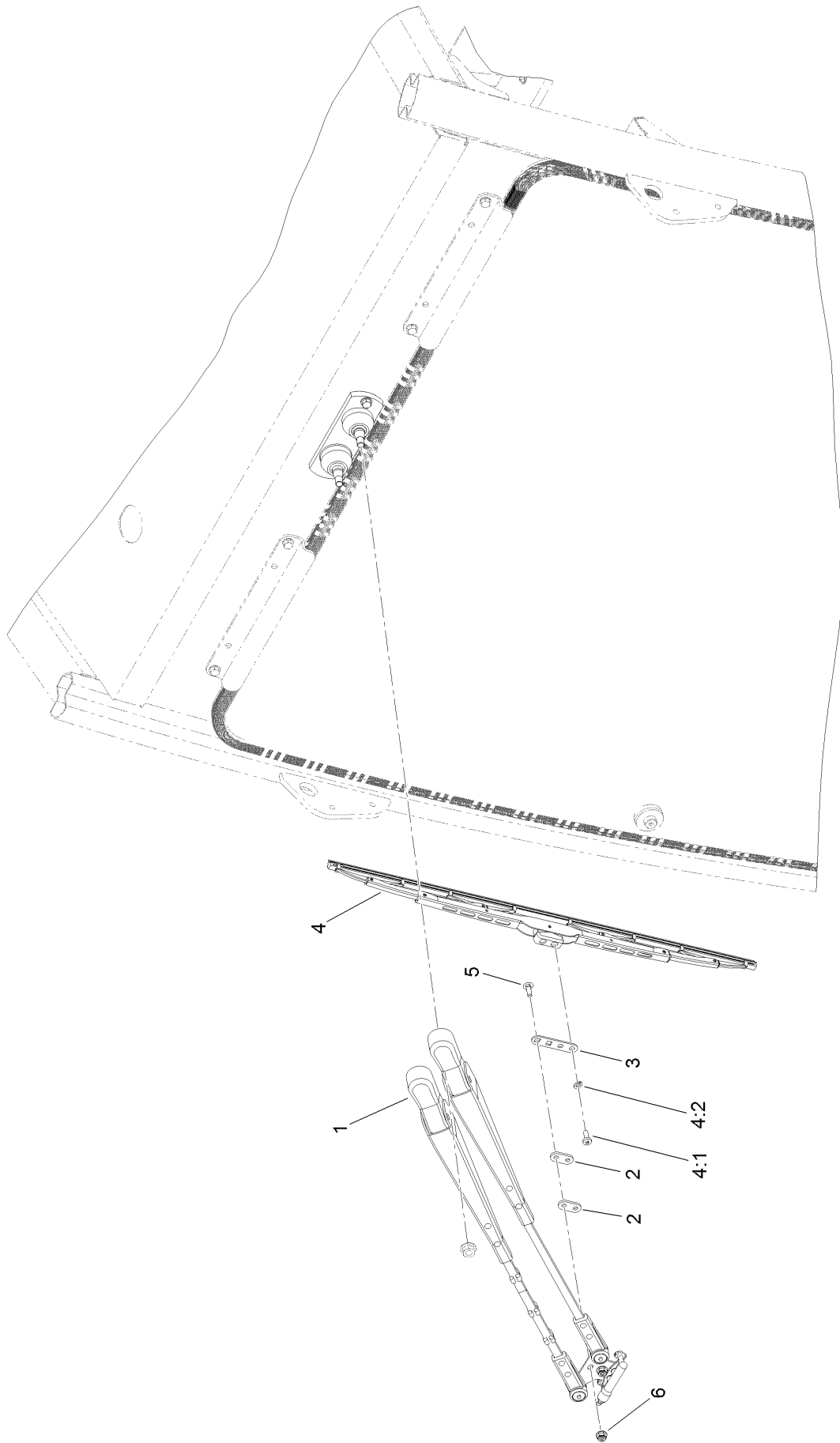
# Window Wiper System Assembly



## Window Wiper System Assembly (continued)

<i>Ref.</i>	<i>Part Number</i>	<i>Qty.</i>	<i>Description</i>	<i>Ref.</i>	<i>Part Number</i>	<i>Qty.</i>	<i>Description</i>
1	125-7452	1	Wiper Motor ASM	10	609900	2	Nut-Speed
1:2	3253-3	1	Washer-Lock	11	125-9603-03	1	Plate-Cover, Fuse
1:3	33113-025	1	Screw-HH	12	32115-15	4	Nut-Push
1:4	112-2844	2	Nut-HF	13	125-7438	2	Knob-Screw, Thumb
2	138-2764	1	Cover-Wiper	14	701493	4	Nut-Speed
3	107-1013	6	Nut-Speed	15	139-2048-03	1	Plate-Mount, Switch
4	138-2822	2	Bracket-Fuse Block	16	119-8355	1	Switch-Rocker
5	32105-13	8	Screw-HWH	17	104-2408	4	Screw-HSBH
6	42862	1	Block-Terminal, Ground	18	125-9688	1	Decal-Washer
7	120-4578	2	Nut-HF	19	107069	4	Clip
8	42863	1	Strip-Jumper	20	140-6632	1	Decal-Fuse Panel
9	3274-69	4	Screw-HSBH				

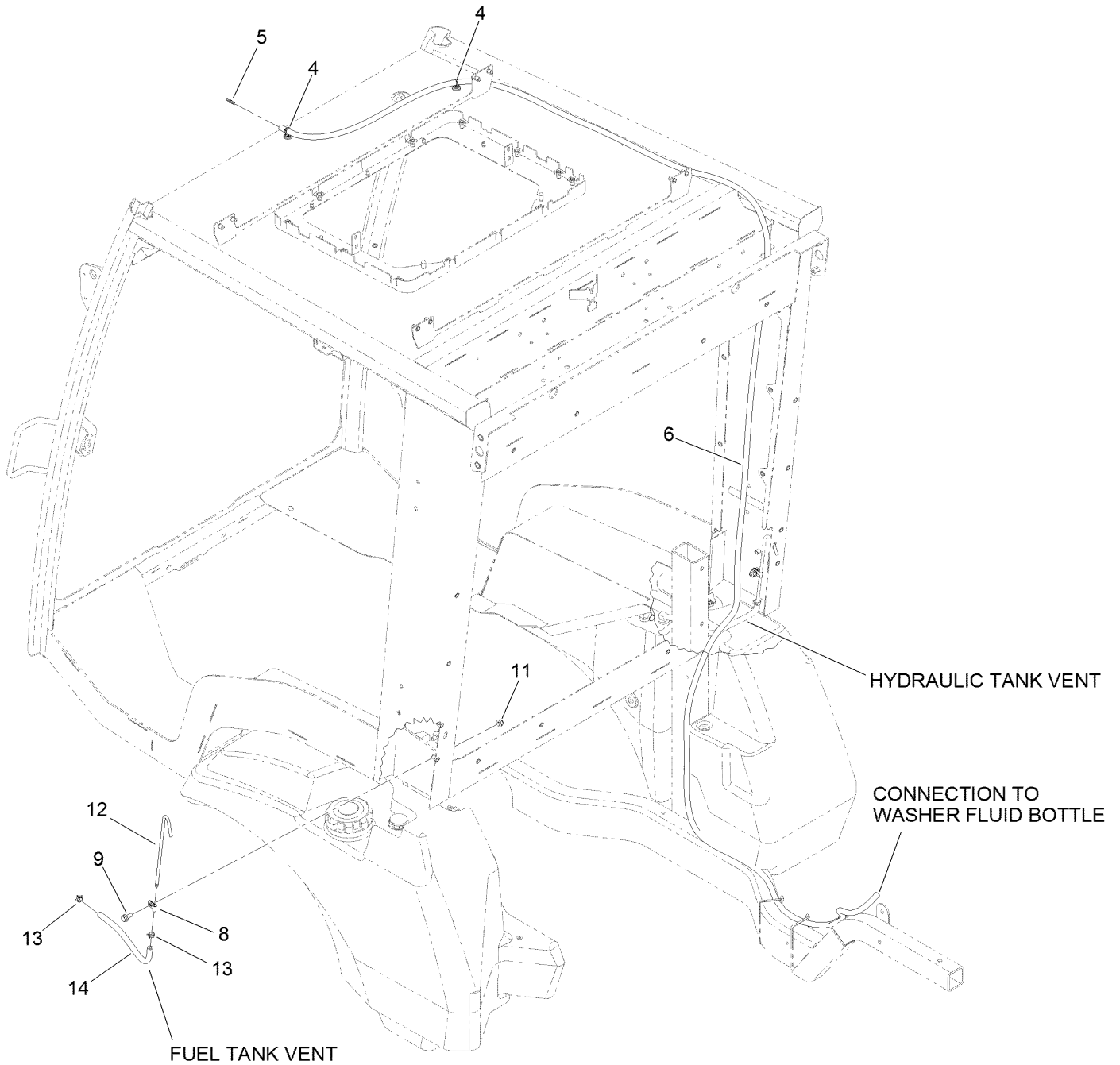
# Window Wiper Assembly



## Window Wiper Assembly (continued)

<i>Ref.</i>	<i>Part Number</i>	<i>Qty.</i>	<i>Description</i>	<i>Ref.</i>	<i>Part Number</i>	<i>Qty.</i>	<i>Description</i>
1	137-1114	1	Arm-Wiper	4:1	47-2830	2	Screw
2	139-2250	2	Mount-Wiper, Spacer	4:2	43-5920	2	Washer-Lock, Spring
3	140-6556	1	Mount-Wiper	5	3229-20	2	Screw-CARR
4	137-1127	1	Blade-Wiper	6	138-0719	2	Nut-HF

# Window Wiper Hose Assembly

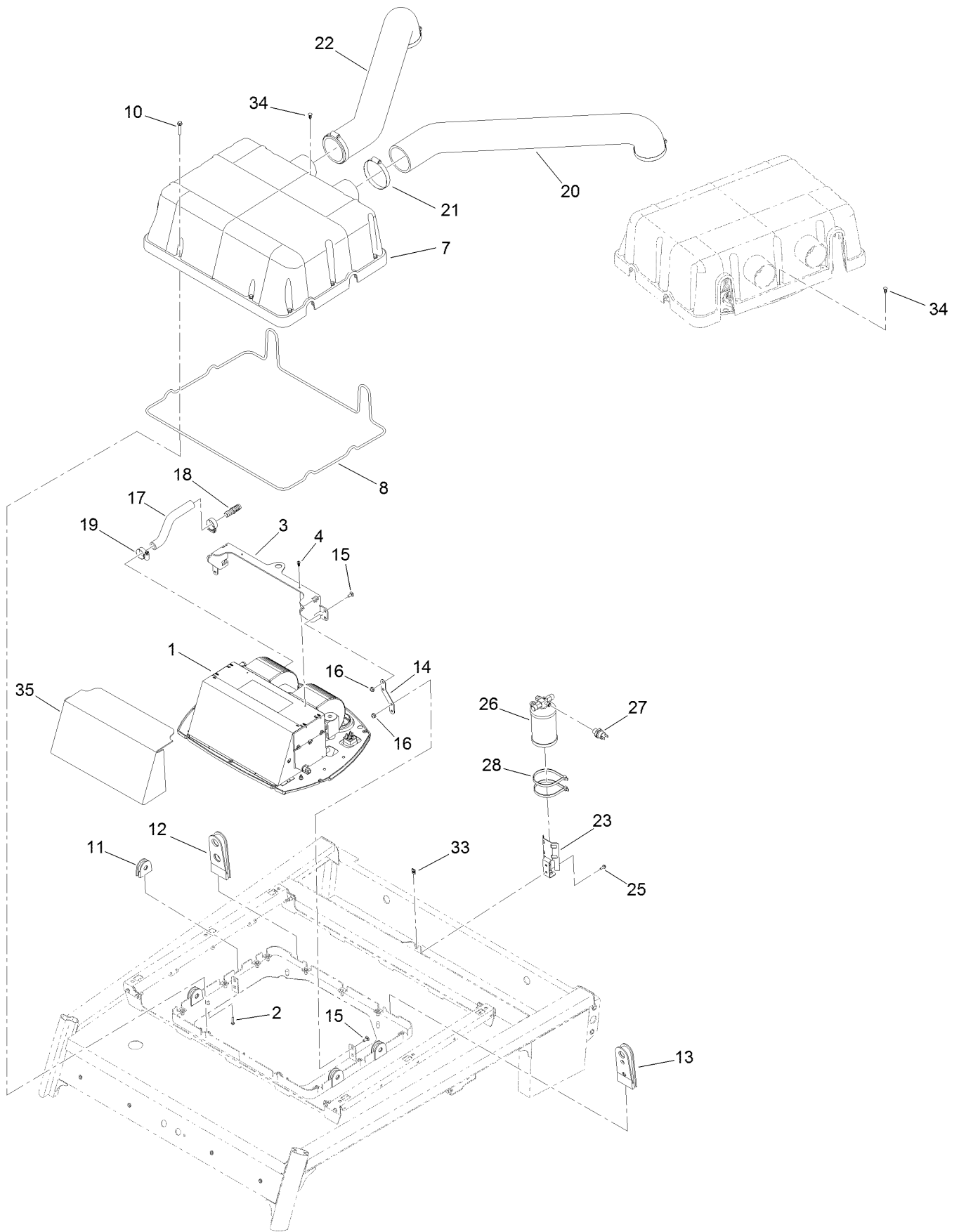




## Window Wiper Hose Assembly (continued)

<i>Ref.</i>	<i>Part Number</i>	<i>Qty.</i>	<i>Description</i>	<i>Ref.</i>	<i>Part Number</i>	<i>Qty.</i>	<i>Description</i>
4	32180-139	2	Mount-Tie Wrap, Magnetic	11	104-8300	2	Nut-HF, NI
5	127-9905	1	Fitting-Hose, Barb	12	139-6252	2	Tube-Vent
6	139-2175	1	Hose-Washer Fluid	13	2412-98	2	Clamp-Hose
8	2412-103	2	Clamp	14	139-6253	2	Hose-Fuel
9	3234-47	2	Screw-HHF				

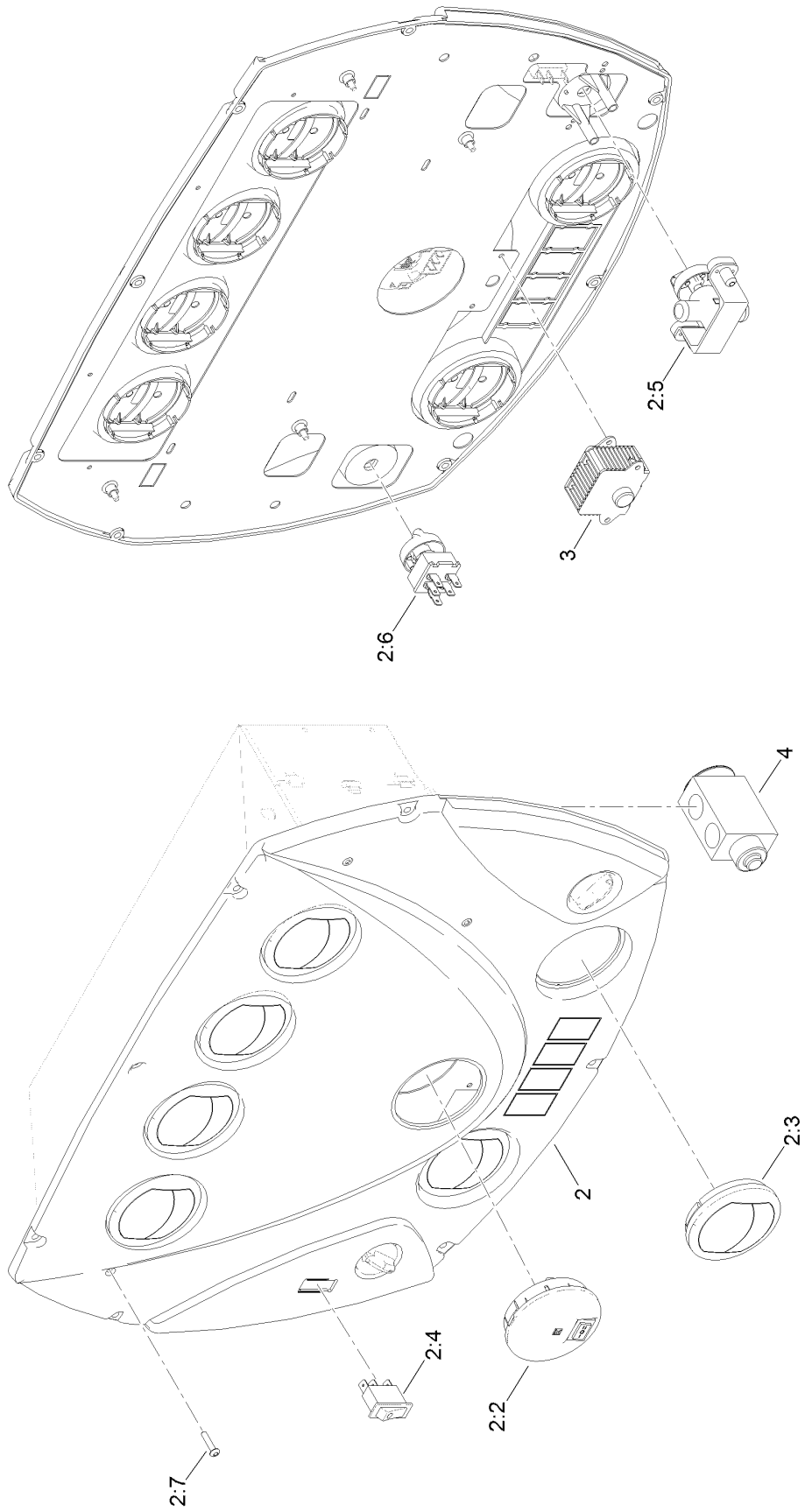
# Heater Assembly



## Heater Assembly (continued)

<i>Ref.</i>	<i>Part Number</i>	<i>Qty.</i>	<i>Description</i>	<i>Ref.</i>	<i>Part Number</i>	<i>Qty.</i>	<i>Description</i>
1	139-2308	1	AC/Heat ASM	18	131-3373	1	Fitting-STR
2	3250-27	8	Screw-PPH	19	2412-129	2	Clamp-Hose
3	139-2317-03	1	Mount-Install	20	139-1928	1	Hose-Intake, LH
4	137-9137	6	Screw-PPH	21	2412-110	4	Clamp-Band/Screw
7	138-2827	1	Cover-A/C	22	139-1929	1	Hose-Intake, RH
8	138-2831	1	Seal-Cord, Foam	23	138-2790	1	Bracket-Mount, Drier
10	131-5927	11	Screw-HHF	25	32105-23	2	Screw
11	140-6566	4	Plug - A/C Drain Line	26	130-5999	1	Drier-Receiver
12	138-2816	1	Plug-Lines, Heat	27	119-4501	1	Switch-Function, Dual
13	140-1624	1	Plug-A/C Lines	28	3334-945	2	Tie-Cable
14	139-2316	2	Support-AC	33	701493	2	Nut-Speed
15	3229-11	8	Screw-CARR	34	114-4899	1	Rivet-Push
16	104-7201	8	Nut-HF, NI	35	140-6646	1	Insulation-AC
17	139-2177	1	Hose-Heater, Formed				

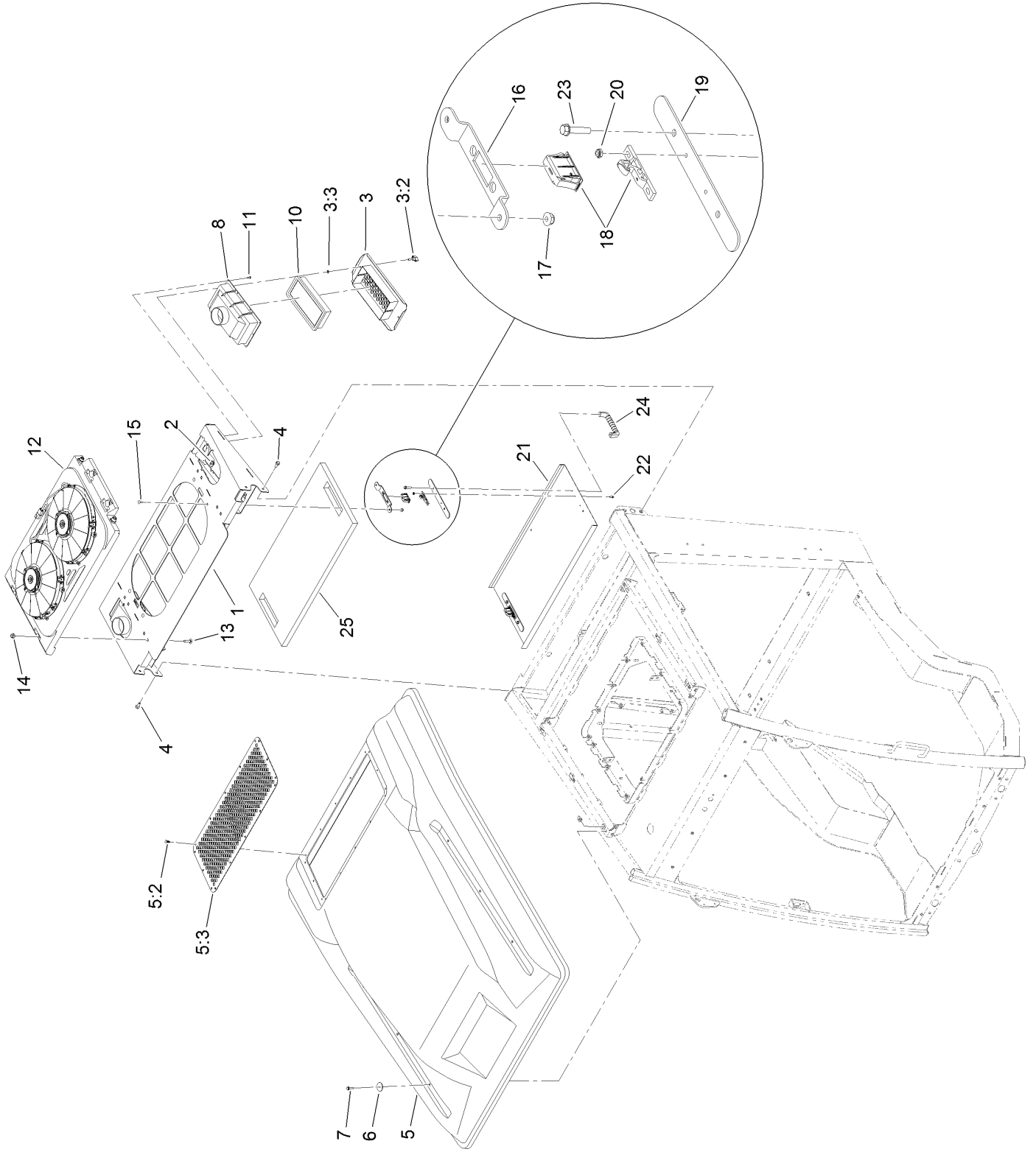
# Heater Control Panel Assembly



## Heater Control Panel Assembly (continued)

<i>Ref.</i>	<i>Part Number</i>	<i>Qty.</i>	<i>Description</i>	<i>Ref.</i>	<i>Part Number</i>	<i>Qty.</i>	<i>Description</i>
2	137-1357	1	Heater Control Panel ASM	2:6	138-2956	1	Switch-Fan
2:2	137-1378	1	Light-Cab, Interior	2:7	119-7444	4	Screw-HSBH
2:3	138-2959	6	Vent-Return	3	138-2967	1	Thermostat-Resistor
2:4	138-2958	1	Switch-A/C	4	138-2912	1	Expansion-Valve
2:5	138-2961	1	Valve-Heat				

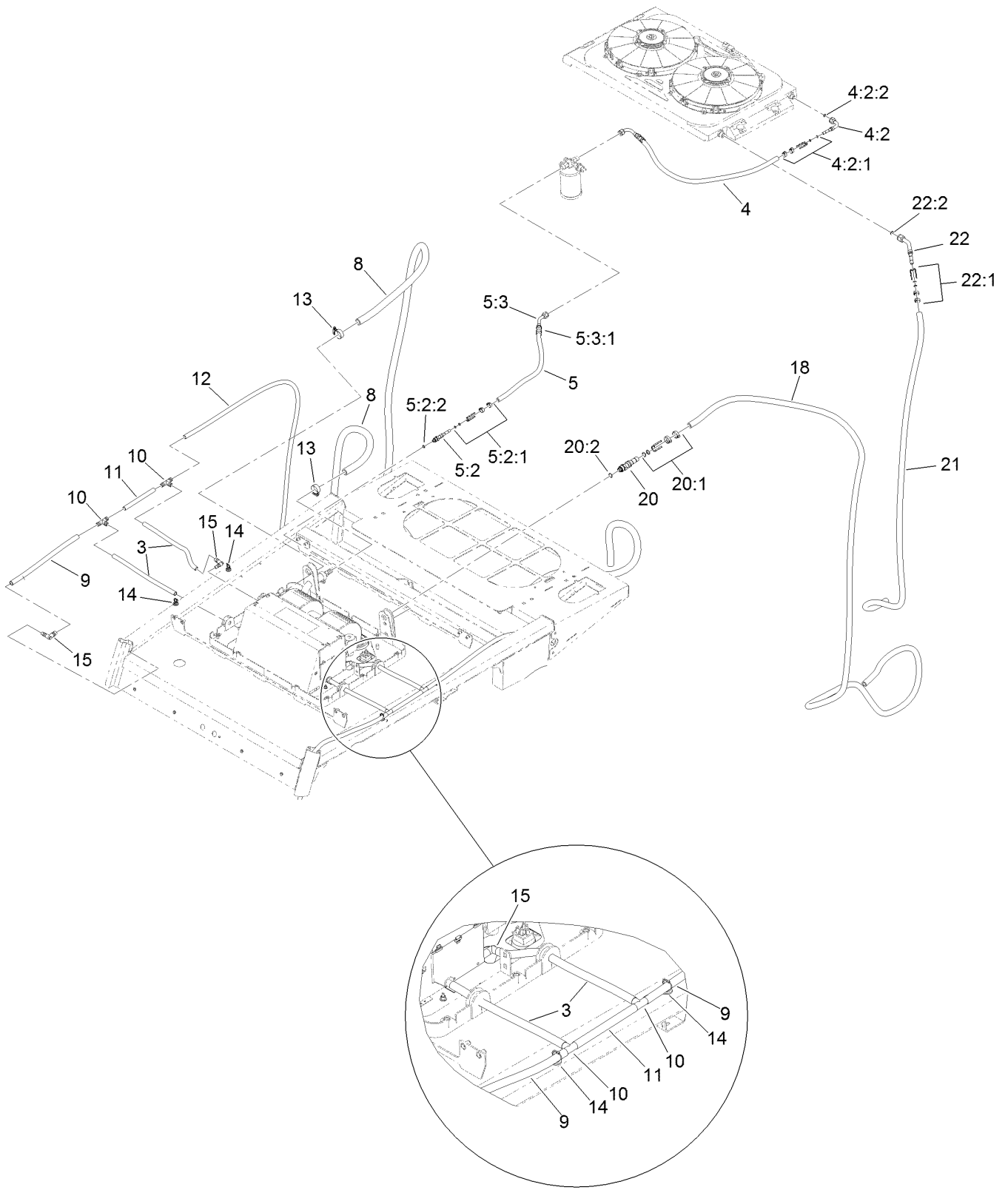
# Roof, Air Filter and Condenser Assembly



## Roof, Air Filter and Condenser Assembly (continued)

<i>Ref.</i>	<i>Part Number</i>	<i>Qty.</i>	<i>Description</i>	<i>Ref.</i>	<i>Part Number</i>	<i>Qty.</i>	<i>Description</i>
1	139-1958-03	1	Wing-Rear	12	138-2907	1	Condenser
2	107069	4	Clip	13	3231-28	4	Screw-CARR
3	137-1397	2	Filter Cover ASM	14	104-8301	4	Nut-HF, NI
3:2	126-5846	2	Knob-T	15	3229-11	4	Screw-CARR
3:3	32115-15	2	Nut-Push	16	138-2742	2	Mount-Latch
4	3234-47	4	Screw-HHF	17	104-7201	4	Nut-HF, NI
5	139-1898	1	Roof ASM	18	130-0643	2	Latch-Push To Close
5:2	138-2714-03	1	Screen-Roof	19	138-2744-03	2	Plate-Backing
5:3	114-4899	16	Rivet-Push	20	3296-54	4	Nut-Lock
6	136-7176	6	Washer-Fender	21	139-1923-03	1	Pre-Filter, Screen
7	120-4654	6	Screw-HHF	22	112-3169	4	Screw-HHF, Serrated
8	137-1281	2	Box-Intake, Air	23	137-3101	4	Screw-Plastic, HWH
10	121-8457	2	Filter-Air	24	65-5100	2	Handle-Door
11	3290-55	20	Rivet-Pop	25	139-1922	1	Filter-Pre-Scren

# Heat Hose Assembly



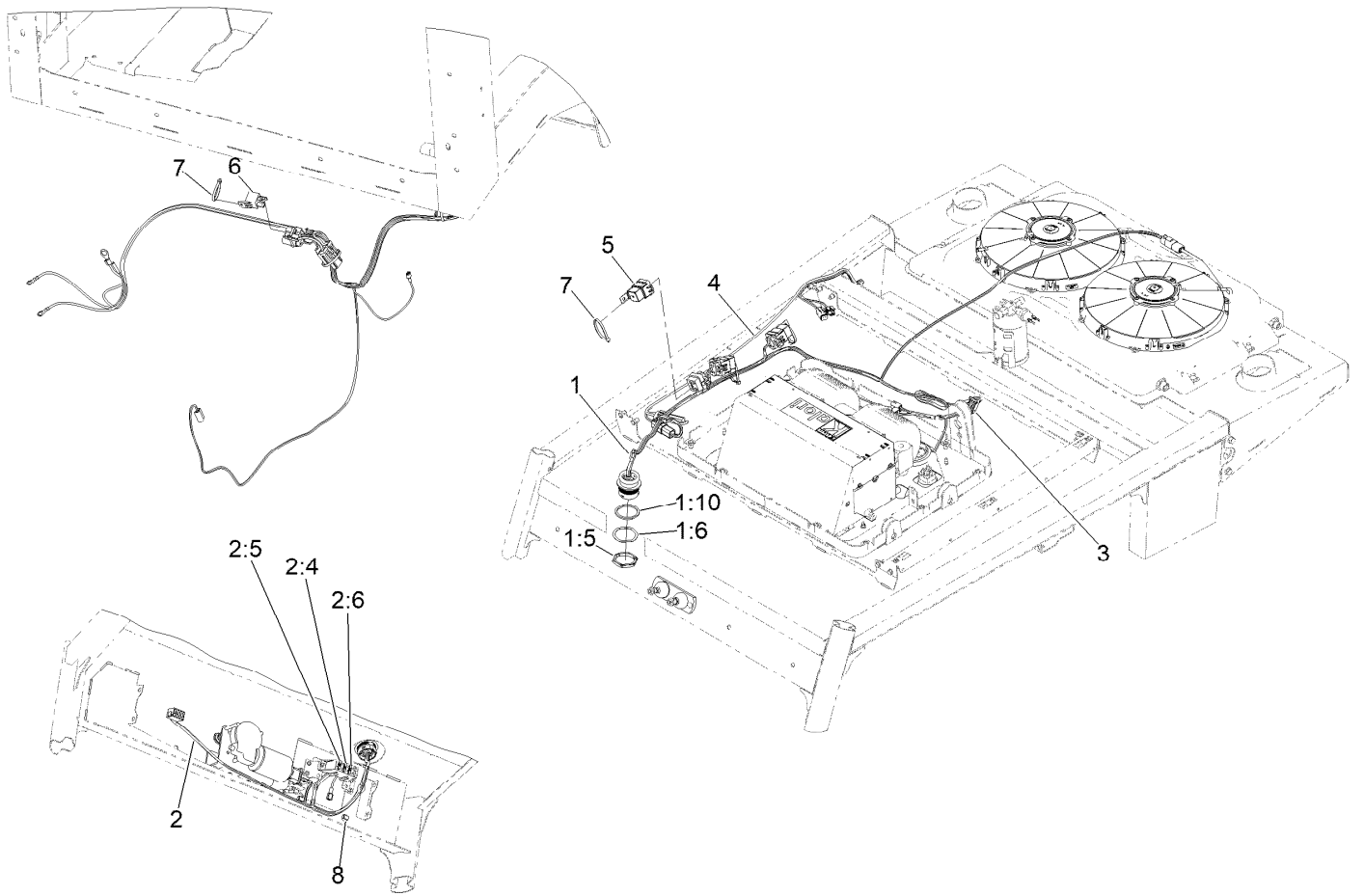


## Heat Hose Assembly (continued)

<i>Ref.</i>	<i>Part Number</i>	<i>Qty.</i>	<i>Description</i>	<i>Ref.</i>	<i>Part Number</i>	<i>Qty.</i>	<i>Description</i>
3	140-6573	4	Hose-Drain	11	139-1994	2	Hose-Drain
4	139-1983	1	Hose ASM-AC	12	139-1995	2	Hose-Drain
4:2	130-5751	2	Fitting-Female, 90 DEG	13	2412-119	2	Clamp-Hose
4:2:1	130-5772	1	Fitting Kit	14	32180-139	4	Mount-Tie Wrap, Magnetic
4:2:2	117-2778	1	O-Ring	15	139-2178	4	Fitting-Elbow 90
5	139-1984	1	Hose ASM-AC, Drier	18	139-1991	1	Hose-Refrigerant
5:2	138-2963	1	Fitting-Straight, Male	20	130-5944	1	Fitting-Male, Straight
5:2:1	130-5772	1	Fitting Kit	20:1	130-5775	1	Fitting Kit
5:2:2	117-2778	1	O-Ring	20:2	117-2780	1	O-Ring
5:3	139-2251	1	Ftg-45 DEG, Female	21	139-1992	1	Hose-Refrigerant
5:3:1	130-5772	1	Fitting Kit	22	139-2252	1	Ftg-45 DEG, Female
8	139-1987	2	Hose-Heater, 5/8	22:1	130-5773	1	Fitting Kit
9	139-1993	2	Hose-Drain	22:2	117-2779	1	O-Ring
10	138-2751	4	Fitting-Tee, Barb	24	130-8304	4	Tape-Refrigeration ●

● Not illustrated

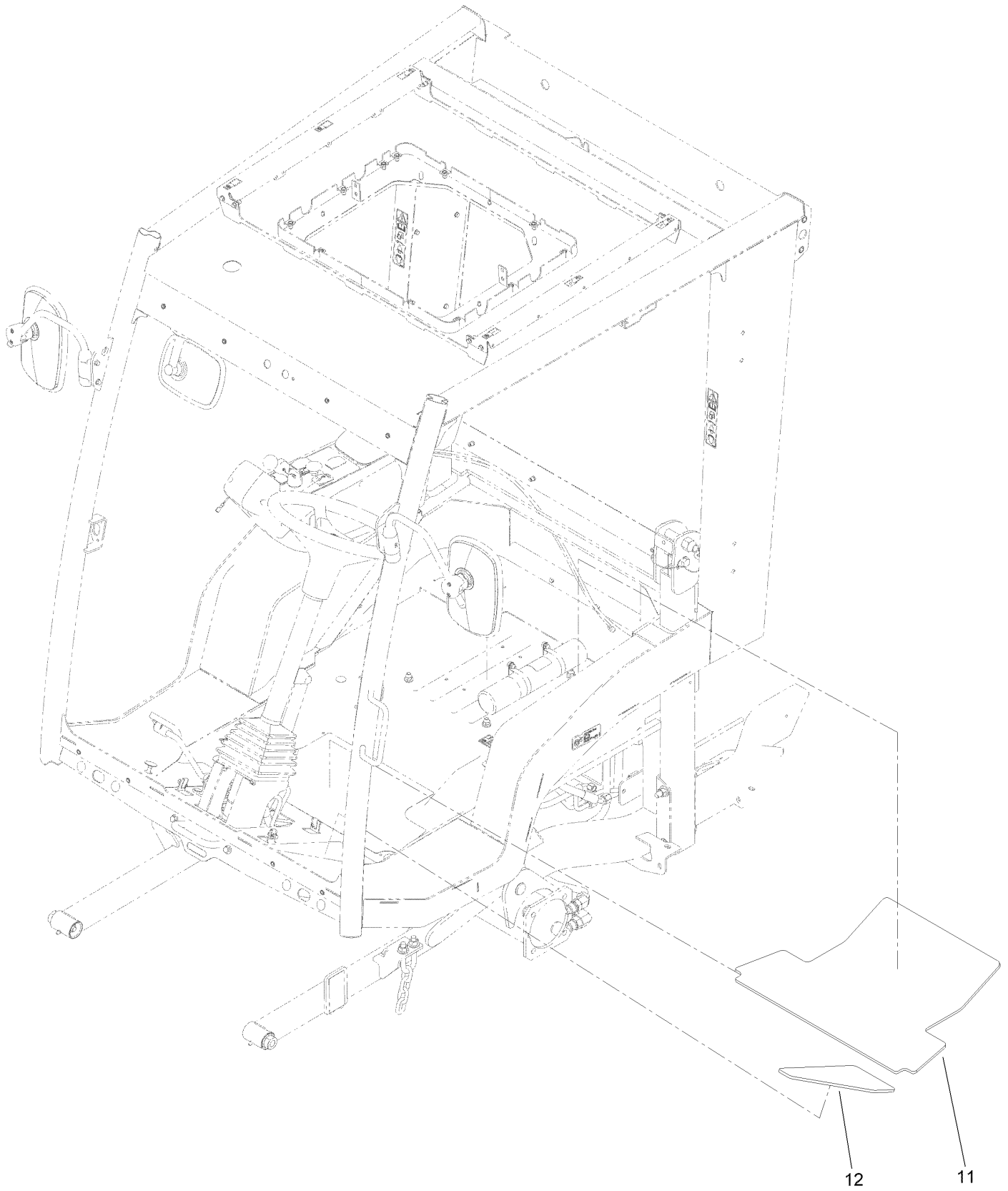
# Electrical Component Assembly



## Electrical Component Assembly (continued)

<i>Ref.</i>	<i>Part Number</i>	<i>Qty.</i>	<i>Description</i>	<i>Ref.</i>	<i>Part Number</i>	<i>Qty.</i>	<i>Description</i>
1	122-1245	1	Harness-Wire, A/C Roof	2:6	99-6124	1	Fuse-40 Amp
1:5	32180-135	1	Nut-Connector	3	122-1678	1	Harness-Wire, Adapter
1:6	32180-143	1	Washer-Lock	4	122-1435	1	Harness-Wire, Cab Power
1:10	161-7851	1	Gasket-Receptacle	5	99-7430	3	Relay-Mini
2	122-1660	1	Harness-Wire, A/C Panel	6	99-7435	1	Relay
2:4	109101	1	Fuse-Blade, 20 Amp	7	3290-378	6	Tie-Cable
2:5	109102	1	Fuse-Blade, 25 Amp	8	32180-030	2	Clip-Tie

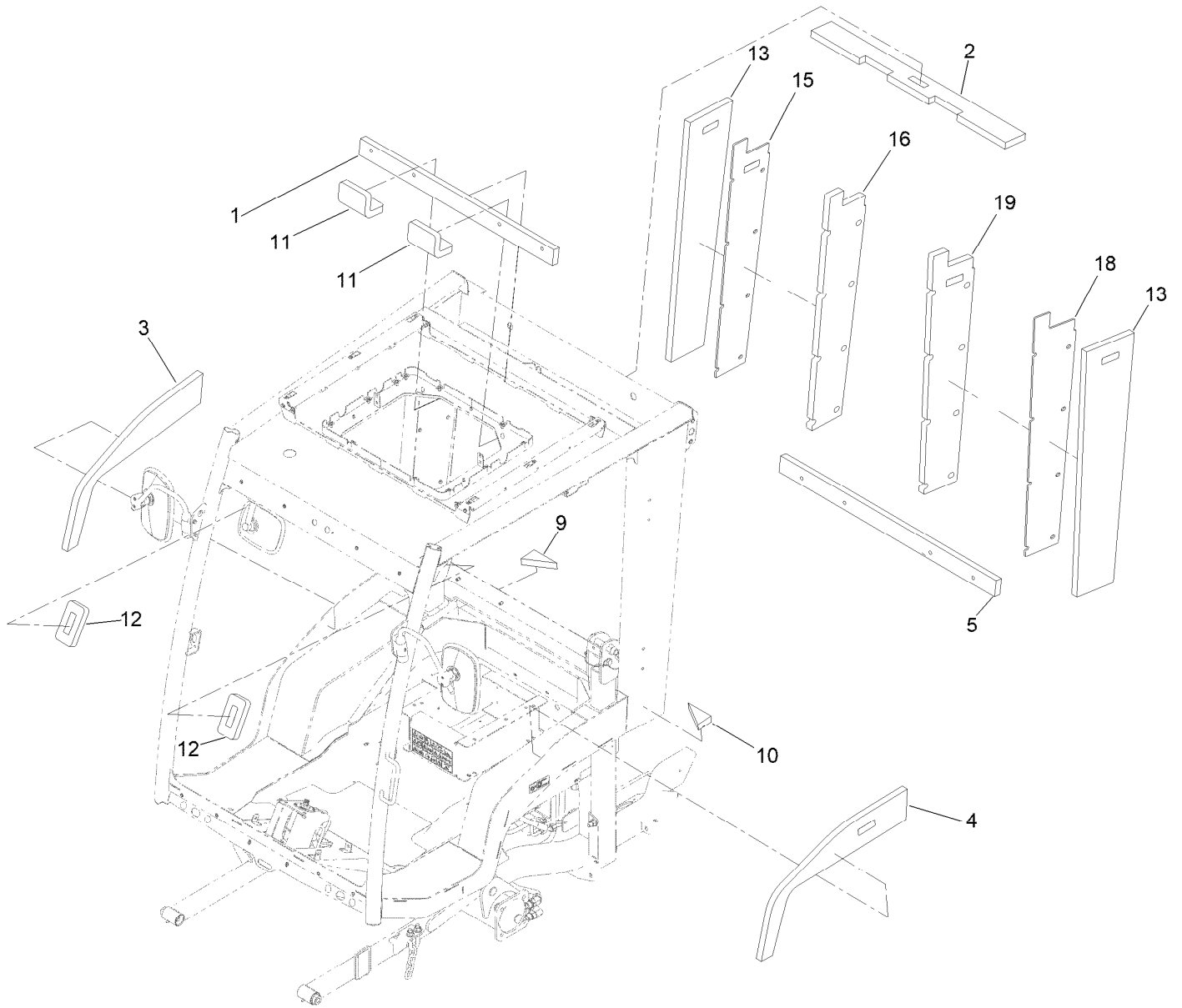
# Floor Sound Reduction Assembly



## Floor Sound Reduction Assembly (continued)

<i>Ref.</i>	<i>Part Number</i>	<i>Qty.</i>	<i>Description</i>
11	144-3233	1	Floor-Pad, Center
12	144-3234	1	Floor-Pad, Corner

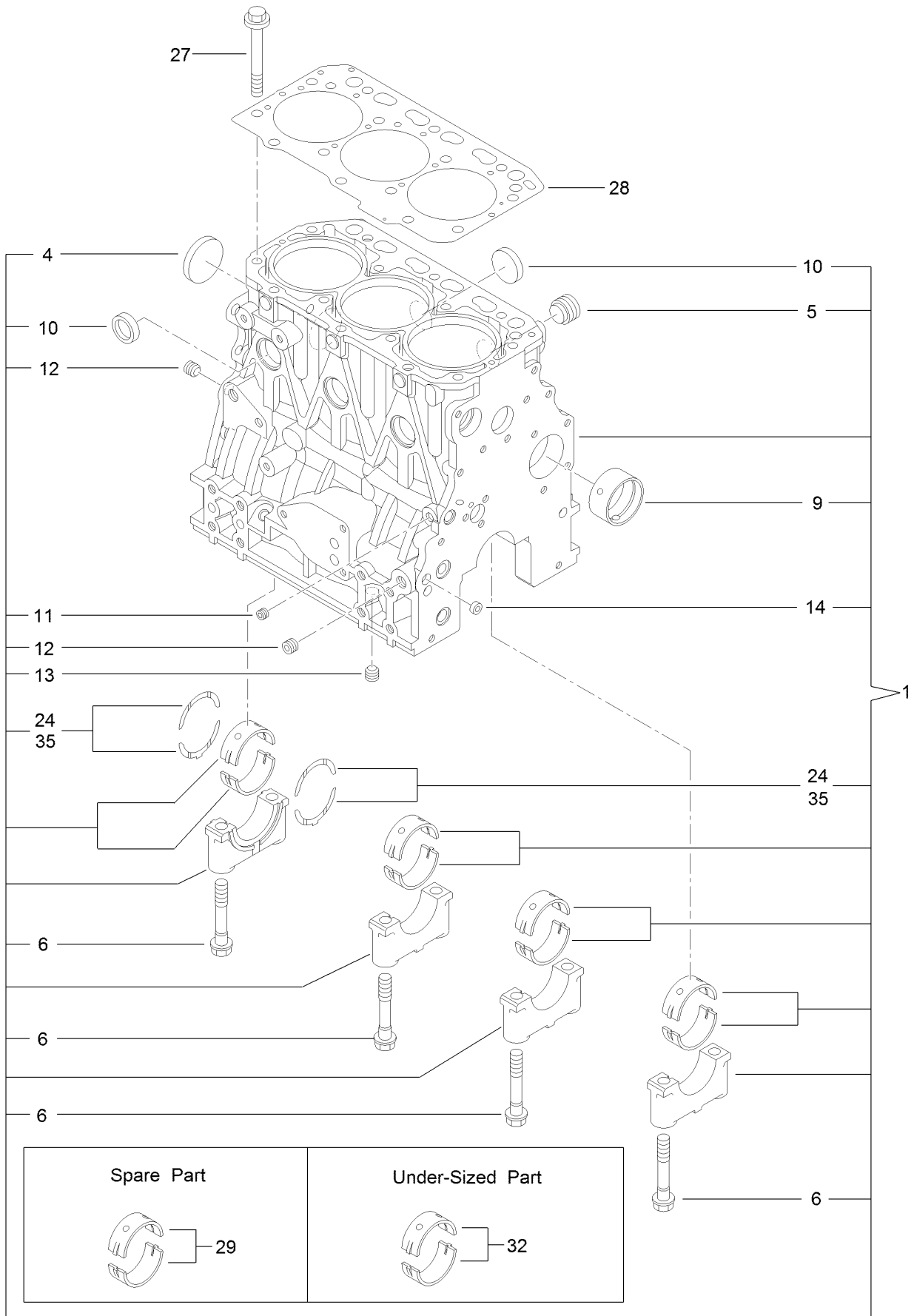
# Cab Sound Reduction Assembly



## Cab Sound Reduction Assembly (continued)

<i>Ref.</i>	<i>Part Number</i>	<i>Qty.</i>	<i>Description</i>	<i>Ref.</i>	<i>Part Number</i>	<i>Qty.</i>	<i>Description</i>
1	140-6886	1	Rear-Window	12	144-3238	2	Dash-Pad
2	140-6887	1	Rear-Ceiling	13	140-6884	2	Pillar-Pad, Rear
3	140-6888	1	Side-Door, RH	15	140-6737	1	Panel-Sound Dampening, RH
4	140-6889	1	Side-Door, LH	16	144-3235	1	Pillar-Pad, Rear RH
5	140-6890	1	Rear-Window	18	140-6738	1	Panel-Sound, Dampening LH
9	140-6894	1	Tile-Corner, RH	19	144-3236	1	Pillar-Pad, Rear LH
10	140-6895	1	Tile-Corner, LH				
11	144-3237	2	ROPS-Pad				

# Cylinder Block Assembly

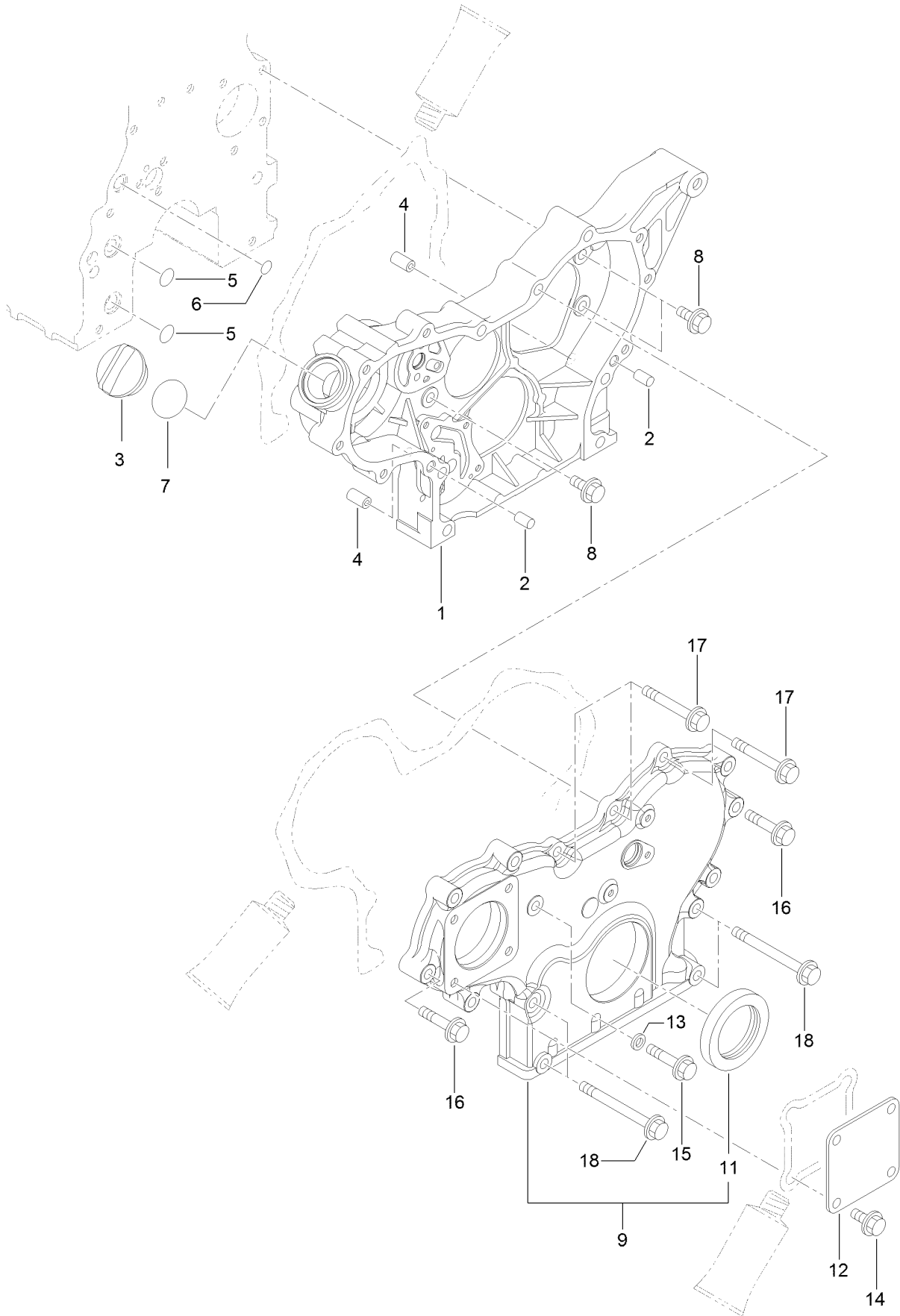




## Cylinder Block Assembly (continued)

<i>Ref.</i>	<i>Part Number</i>	<i>Qty.</i>	<i>Description</i>	<i>Ref.</i>	<i>Part Number</i>	<i>Qty.</i>	<i>Description</i>
1	127-4717	1	Cylinder Block ASM	13	125-6973	1	Plug
4	125-6980	1	Plug	14	125-7237	1	Plug
5	125-7170	1	Plug	24	125-7010	2	Metal-Thrust
6	125-7007	8	Bolt	27	125-7006	14	Bolt
9	125-7108	1	Bushing	28	127-4716	1	Head Gasket ASM
10	140-7182	6	Plug 30	29	125-6981	4	Metal-Main
11	125-6969	1	Plug	32	125-7009	4	Metal-Main (0.25)
12	125-6973	2	Plug	35	125-7011	1	Metal-Thrust (0.25)

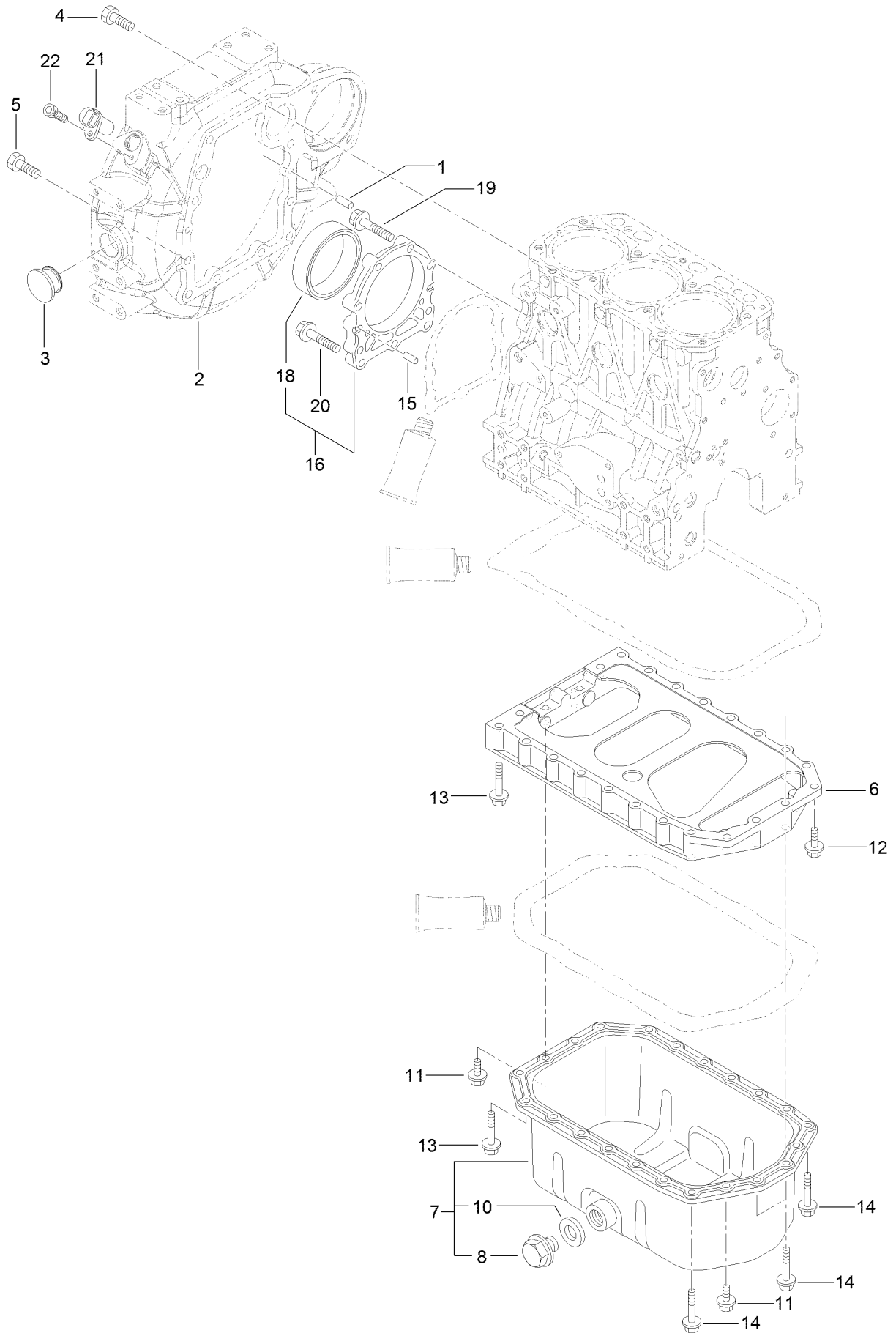
# Gear Housing Assembly



## Gear Housing Assembly (continued)

<i>Ref.</i>	<i>Part Number</i>	<i>Qty.</i>	<i>Description</i>	<i>Ref.</i>	<i>Part Number</i>	<i>Qty.</i>	<i>Description</i>
1	127-3023	1	Case-Gear	11	125-6944	1	Seal-Oil
2	125-6995	2	Pin	12	125-6977	1	Cover
3	125-6972	1	Cover-Filler	13	125-7174	1	Washer-Seal
4	125-7107	2	Pipe	14	125-7214	4	Bolt
5	125-6909	2	O-Ring	15	125-7217	1	Bolt
6	127-2973	1	O-Ring	16	125-7218	7	Bolt
7	125-7197	1	O-Ring	17	125-7222	3	Bolt
8	125-7214	3	Bolt	18	125-7224	4	Bolt
9	127-3024	1	Gearcase Cover ASM				

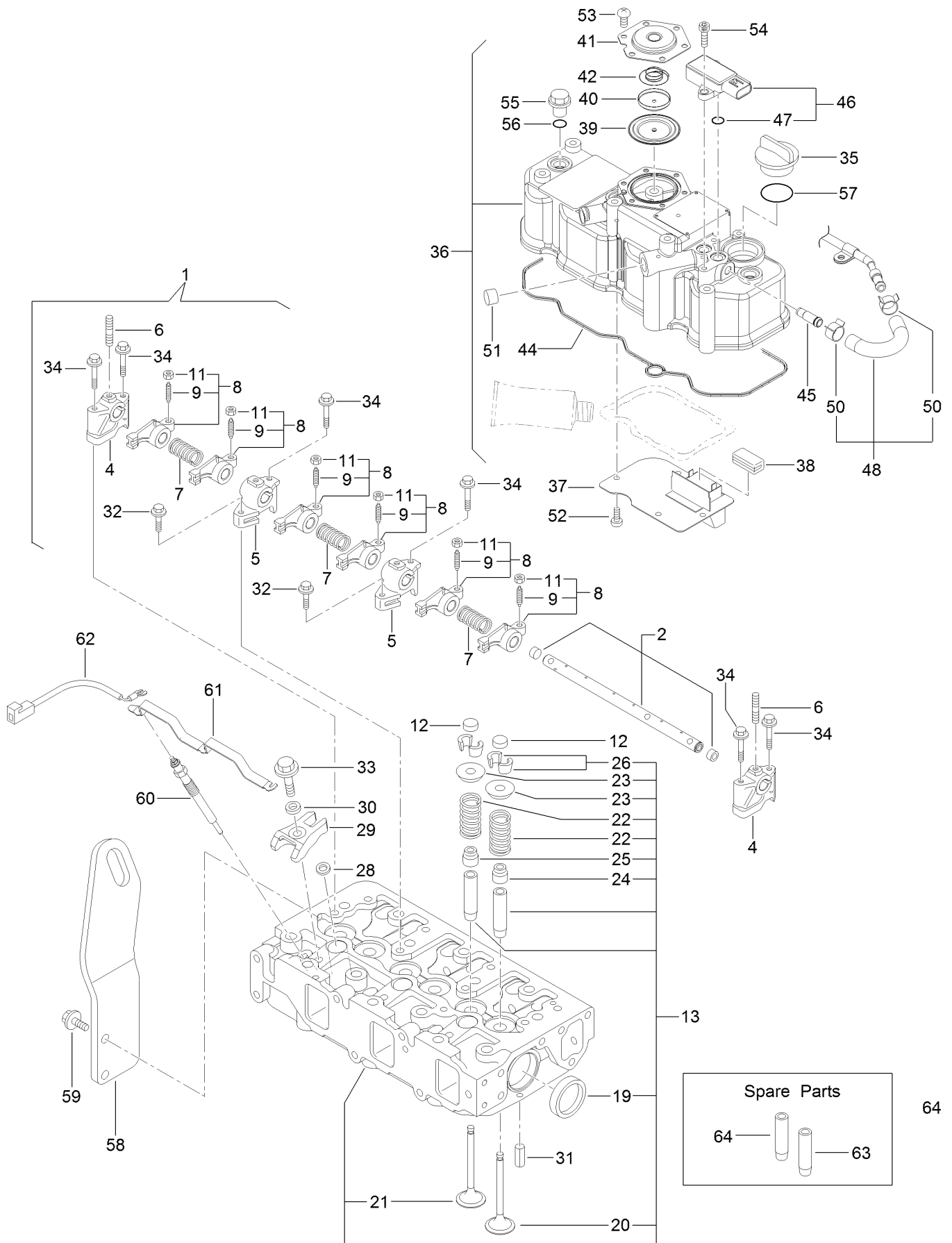
# Flywheel Housing and Oil Sump Assembly



## Flywheel Housing and Oil Sump Assembly (continued)

<i>Ref.</i>	<i>Part Number</i>	<i>Qty.</i>	<i>Description</i>	<i>Ref.</i>	<i>Part Number</i>	<i>Qty.</i>	<i>Description</i>
1	125-6995	2	Pin	12	125-7215	2	Bolt
2	127-3025	1	Housing-Flywheel	13	125-7219	16	Bolt
3	125-6910	1	Cap	14	125-7220	4	Bolt
4	125-7226	6	Bolt	15	125-6995	2	Pin
5	125-7227	4	Bolt	16	140-7173	1	Oil Seal Case ASM
6	127-3756	1	Spacer	18	140-7174	1	Seal-Oil
7	135-4010	1	Oil Pan ASM	19	125-7045	6	Bolt
8	125-6912	1	Plug-Drain	20	125-7217	3	Bolt
10	125-7177	1	Washer-Seal	21	127-3062	1	Sensor-Rev, Flywheel
11	125-7214	4	Bolt	22	127-3184	1	Bolt

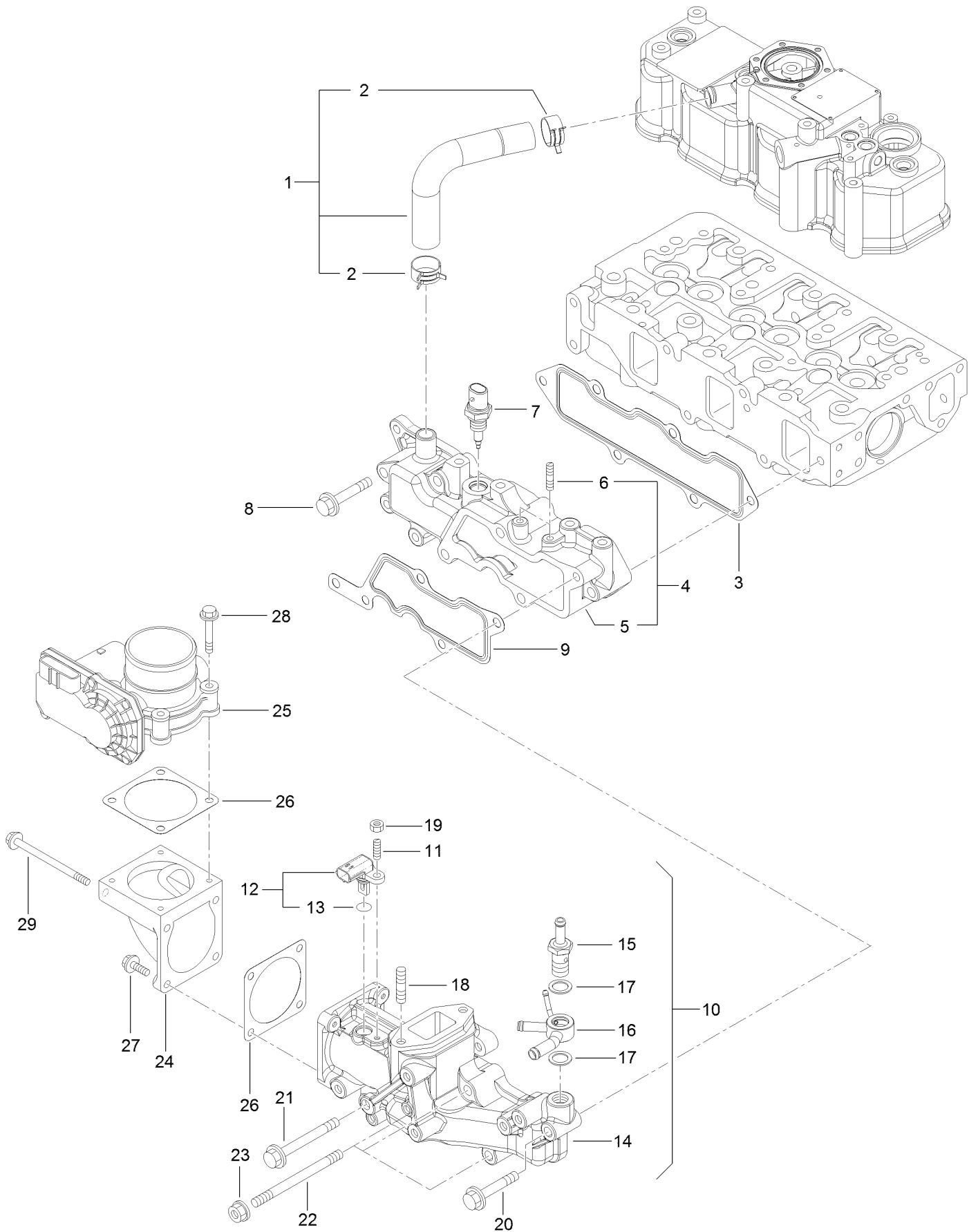
# Cylinder Head and Cover Assembly



## Cylinder Head and Cover Assembly (continued)

<i>Ref.</i>	<i>Part Number</i>	<i>Qty.</i>	<i>Description</i>	<i>Ref.</i>	<i>Part Number</i>	<i>Qty.</i>	<i>Description</i>
1	127-3757	1	Shaft ASM	37	127-2988	1	Plate
2	127-3758	1	Shaft	38	125-7012	1	Baffle
4	127-2974	2	Support	39	125-6959	1	Diaphragm
5	127-2975	2	Support	40	125-6960	1	Plate
6	135-4012	3	Bolt,Stud	41	125-6961	1	Plate-Breather
7	127-2995	3	Spring	42	125-6962	1	Spring-Diaphragm
8	127-2989	6	Arm-Rocker	44	127-3762	1	Gasket-Cover, Cylinder Head
9	125-7013	6	Screw-Adjust, Valve				
11	125-7014	6	Nut	45	127-3026	1	Joint
12	127-2996	6	Cap-Valve	46	127-3029	1	Sensor-Pressure
13	139-6014	1	Cylinder Head ASM	47	127-3032	2	O Ring-Sensor, Pressure
19	125-7240	2	Plug	48	127-3040	1	Hose ASM
20	127-2990	3	Valve	50	127-3041	2	Clip-Hose
21	127-4710	3	Valve	51	125-6913	1	Plug
22	127-3012	6	Spring	52	125-7186	4	Screw
23	127-3013	6	Retainer-Spring	53	125-7186	6	Screw
24	127-2986	3	Seal-Stem, Valve	54	127-3184	2	Bolt
25	127-3027	3	Seal-Stem, Valve	55	125-6974	3	Knob
26	127-3186	6	Pin-Cotter	56	138-7829	3	O-Ring
28	127-3021	3	Gasket-Injector	57	125-7197	1	O-Ring
29	127-3028	3	Retainer-Injector	58	127-4718	1	Lifter-Engine
30	127-2980	3	Washer-Injector	59	125-7595	2	Bolt
31	125-7184	2	Pin-Spring	60	127-2991	3	Plug-Glow
32	125-7215	2	Bolt	61	127-3768	1	Connector-Plug, Glow
33	125-7217	3	Bolt	62	131-2704	1	Harness-Wire
34	125-7220	6	Bolt	63	127-2979	3	Guide
35	125-6972	1	Cover-Filler	64	127-2997	3	Guide-Valve
36	127-4719	1	Cylinder Head Cover ASM				

# Suction Manifold Assembly

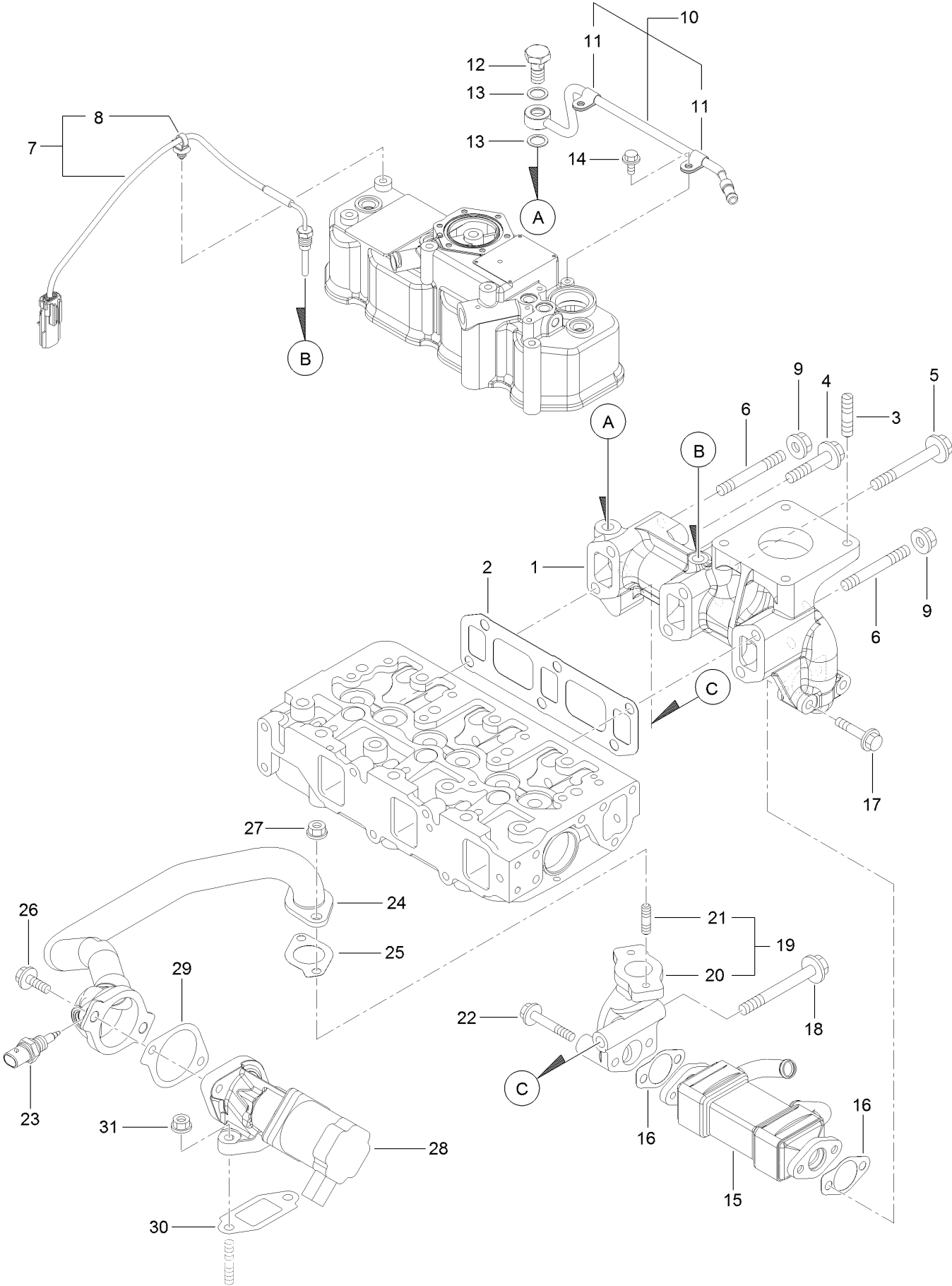




## Suction Manifold Assembly (continued)

<i>Ref.</i>	<i>Part Number</i>	<i>Qty.</i>	<i>Description</i>	<i>Ref.</i>	<i>Part Number</i>	<i>Qty.</i>	<i>Description</i>
1	127-4704	1	Pipe	16	127-3081	1	Joint-Hose
2	125-7040	2	Clip-Hose	17	127-3166	2	Washer-Seal
3	127-3769	1	Gasket-Manifold, Intake	18	127-3181	2	Stud
4	127-4722	1	Intake Manifold ASM	19	127-4775	1	Nut
5	127-4721	1	Manifold-Intake	20	125-7220	1	Bolt
6	127-3180	2	Stud	21	127-3178	1	Bolt
7	137-5167	1	Sensor-Temperature, Air	22	127-3182	3	Stud
8	125-7220	3	Bolt	23	125-7229	3	Nut
9	127-3034	1	Gasket-Collector	24	127-3035	1	Bend-Inlet
10	127-4725	1	Intake Collector ASM	25	127-3036	1	Body-Throttle
11	127-4701	1	Stud	26	127-3037	2	Gasket-Throttle
12	127-3030	1	Sensor-Temp, Air	27	125-7209	2	Bolt
13	127-3033	1	O-Ring	28	125-7211	4	Bolt
14	127-4724	1	Collector-Intake	29	127-3177	2	Bolt
15	127-3080	1	Joint-Hose				

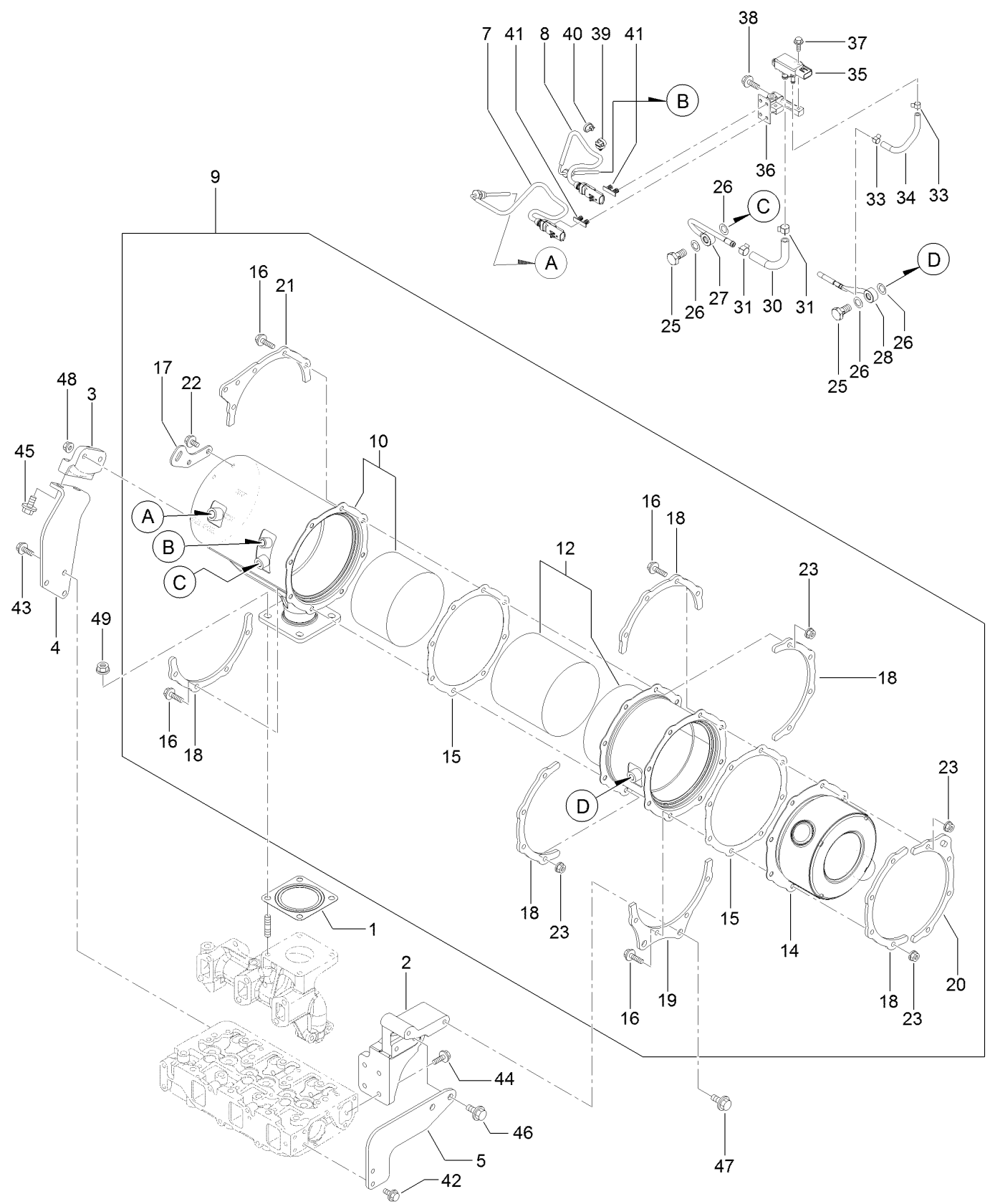
# Exhaust Manifold Assembly



## Exhaust Manifold Assembly (continued)

<i>Ref.</i>	<i>Part Number</i>	<i>Qty.</i>	<i>Description</i>	<i>Ref.</i>	<i>Part Number</i>	<i>Qty.</i>	<i>Description</i>
1	127-4726	1	Manifold-Exhaust	17	133-6715	2	Bolt
2	127-3775	1	Gasket-Manifold, Exhaust	18	127-3022	1	Bolt-Flange
3	127-2984	4	Stud	19	127-3048	1	E G R Pipe ASM
4	135-4013	1	Bolt	20	127-3049	1	Pipe-Out, E G R
5	135-4014	3	Bolt	21	125-7043	2	Stud
6	127-4756	2	Stud	22	125-7220	2	Bolt
7	127-4729	1	Sensor-Temp, Exhaust	23	137-5168	1	Sensor-Gas Temp, E G R
8	127-3087	1	Band-Clip	24	127-3780	1	E G R Pipe ASM
9	125-7230	2	Nut	25	127-3016	1	Gasket
10	127-3038	1	Exhaust Pipe ASM	26	125-7215	2	Bolt
11	127-3173	2	Clamp	27	125-7229	2	Nut
12	127-3039	1	Bolt-Joint, Pipe	28	127-3781	1	Valve-E G R
13	127-3174	2	Gasket	29	127-3050	1	Gasket-Intake Valve, E G R
14	125-7206	2	Bolt	30	127-3051	1	Gasket-Out Valve, E G R
15	127-3042	1	Cooler-E G R	31	125-7229	2	Nut
16	127-3043	2	Gasket-Cooler, E G R				

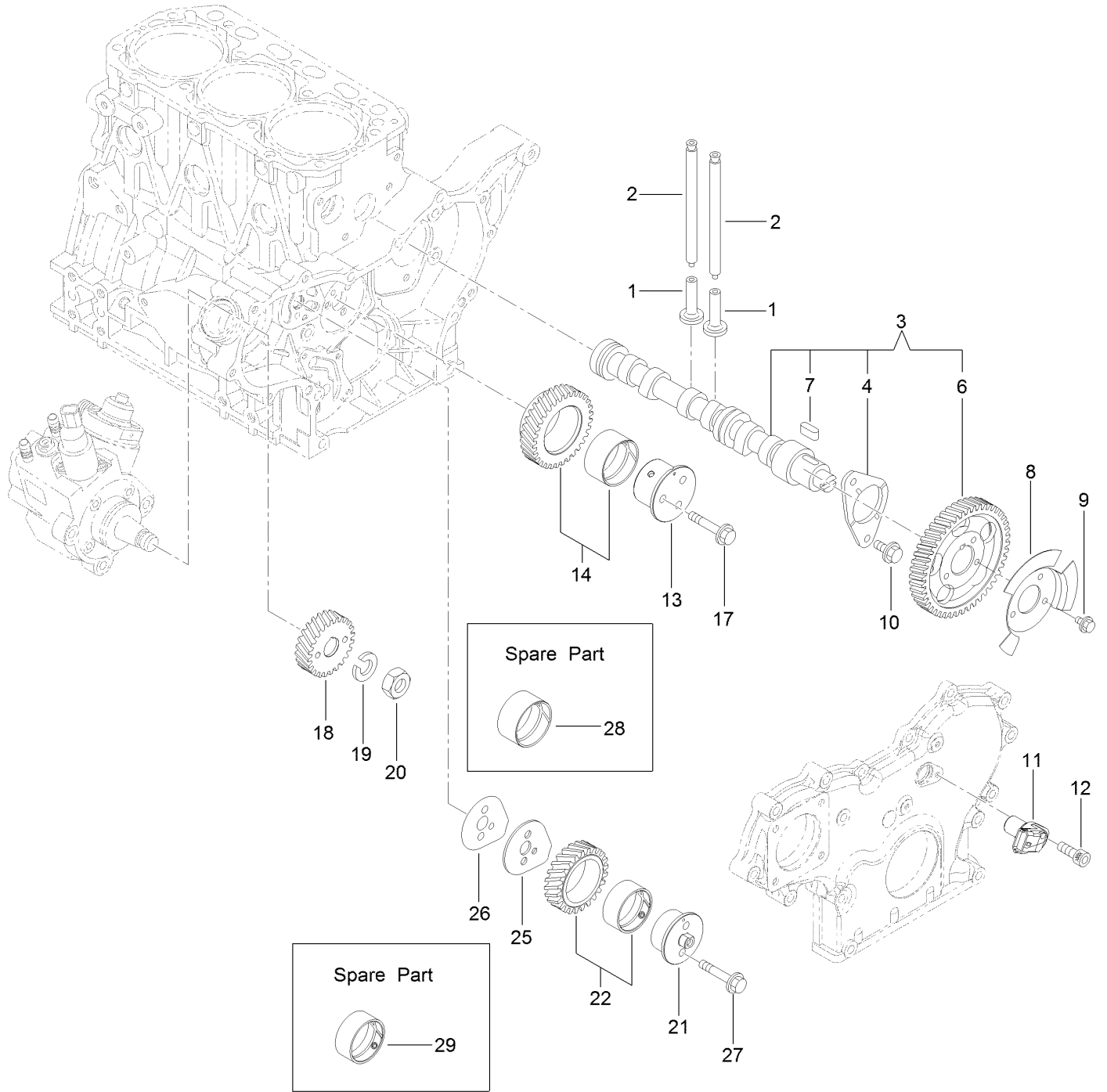
# Diesel Particulate Filter Assembly



## Diesel Particulate Filter Assembly (continued)

<i>Ref.</i>	<i>Part Number</i>	<i>Qty.</i>	<i>Description</i>	<i>Ref.</i>	<i>Part Number</i>	<i>Qty.</i>	<i>Description</i>
1	127-2987	1	Gasket-Silencer	27	127-4744	1	Sensor Pipe ASM
2	127-4738	1	Stay-D P F	28	127-4745	1	Sensor Pipe ASM
3	127-4739	1	Stay-D P F	30	140-7175	1	Hose-Pressure
4	127-4740	1	Stay-D P F	31	127-3057	2	Clip-Hose
5	127-4741	1	Stay-D P F	33	127-3058	2	Clip-Hose
7	127-4764	1	Sensor-Temp, Exhaust	34	138-8257	1	Exhaust Press Hose ASM
8	127-3112	1	Sensor-Temp, Exhaust	35	127-3060	1	Sensor-Pressure
9	127-4759	1	D P F ASM	36	127-4750	1	Bracket-Sensor
10	127-4732	1	Case-D O C	37	125-7208	2	Bolt
12	127-4734	1	Case-Filter, Soot	38	125-7595	2	Bolt
14	127-3786	1	Silencer-D P F	39	127-3087	1	Band-Clip
15	127-3787	2	Gasket-D P F	40	127-3124	1	Band
16	127-3055	16	Bolt	41	127-3088	2	Clip-Connector
17	127-3788	1	Lifter-D P F	42	125-7214	2	Bolt
18	127-3789	5	Stiffener-D P F, A	43	125-7214	3	Bolt
19	127-4735	1	Stiffener-D P F, B	44	125-7595	4	Bolt
20	127-3792	1	Stiffener-D P F, C	45	127-3179	2	Bolt
21	127-4736	1	Stiffener-D P F, C	46	127-3179	2	Bolt
22	125-7213	2	Bolt	47	127-3179	2	Bolt
23	125-7229	16	Nut	48	125-7229	2	Nut
25	127-3039	2	Bolt-Joint, Pipe	49	125-7230	4	Nut
26	127-3056	4	Gasket-Sensor				

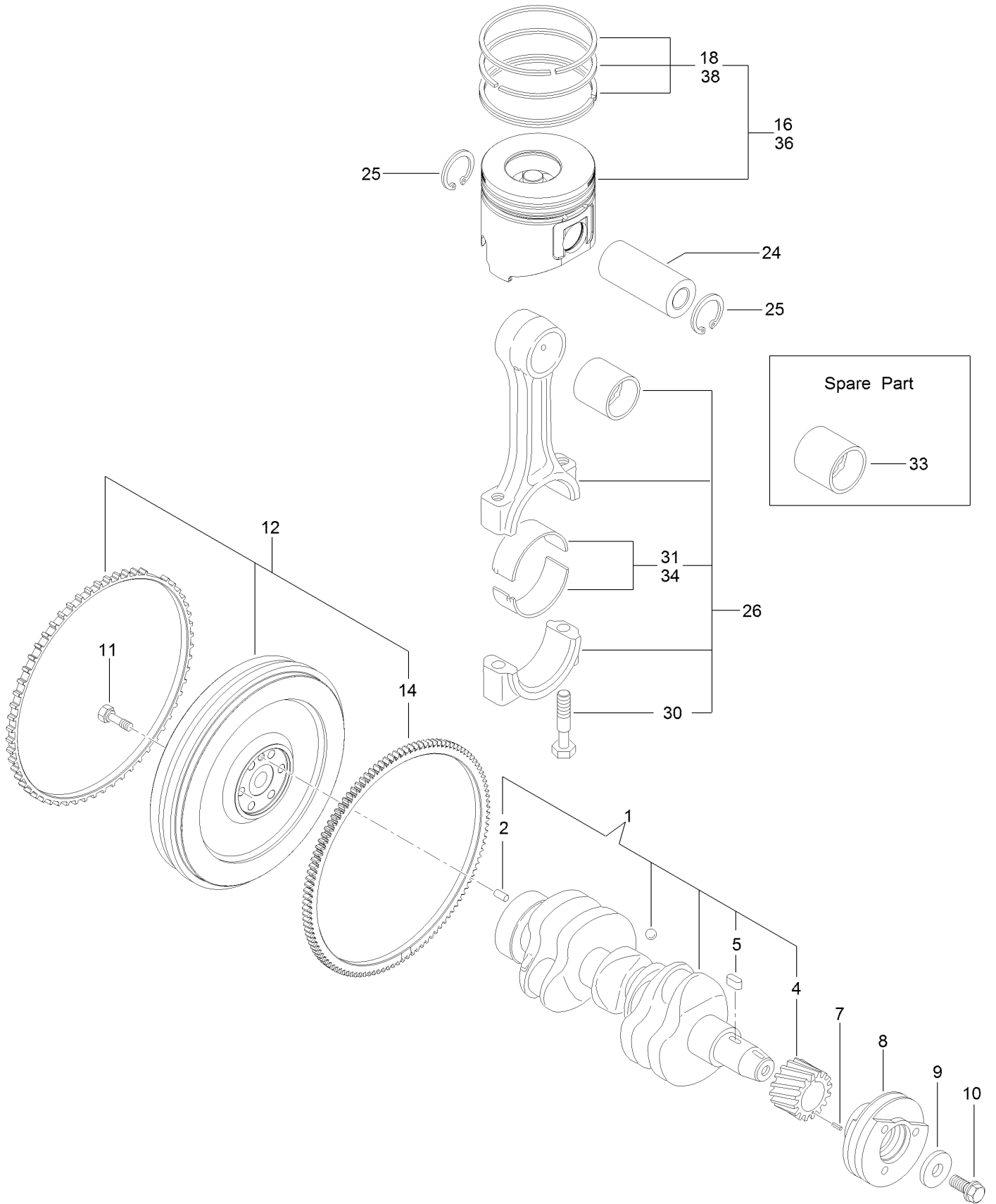
# Camshaft and Driving Gear Assembly



## Camshaft and Driving Gear Assembly (continued)

<i>Ref.</i>	<i>Part Number</i>	<i>Qty.</i>	<i>Description</i>	<i>Ref.</i>	<i>Part Number</i>	<i>Qty.</i>	<i>Description</i>
1	125-7016	6	Tappet	14	127-3066	1	Idle Gear A ASM
2	125-7017	6	Rod-Push	17	125-7219	3	Bolt
3	127-3797	1	Camshaft ASM	18	127-3070	1	Gear-Pump, Supply
4	125-7008	1	Metal-Thrust	19	127-3167	1	Washer-Spring
6	127-3052	1	Gear-Camshaft	20	127-3185	1	Nut-Lock
7	125-7185	1	Key	21	127-3064	1	Shaft-Idle, Gear B
8	127-3053	1	Pulser-Camshaft	22	127-3067	1	Idle Gear B ASM
9	125-7205	3	Bolt	25	127-3068	1	Plate-Idle, Shaft
10	125-7213	2	Bolt	26	127-3069	1	Gasket-Idle, Shaft B
11	127-3054	1	Sensor-Rev, Gear	27	125-7218	2	Bolt
12	127-3184	1	Bolt	28	125-6926	1	Bush
13	127-3063	1	Shaft-Idle, Gear A	29	127-3065	1	Bushing

# Crankshaft and Piston Assembly

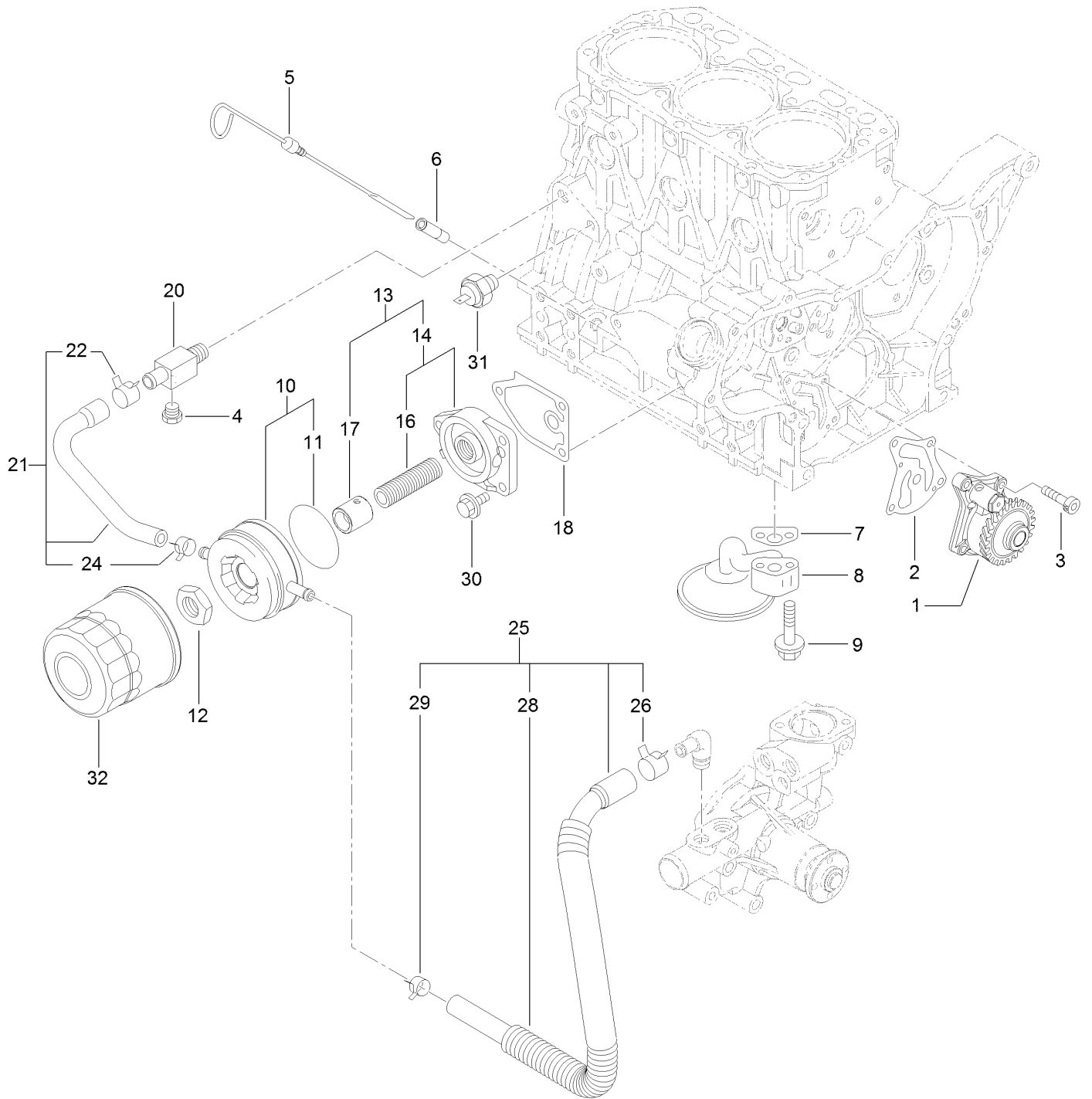




## Crankshaft and Piston Assembly (continued)

<i>Ref.</i>	<i>Part Number</i>	<i>Qty.</i>	<i>Description</i>	<i>Ref.</i>	<i>Part Number</i>	<i>Qty.</i>	<i>Description</i>
1	127-3800	1	Crankshaft ASM	16	127-4766	3	Piston ASM
2	125-6995	1	Pin	18	127-4751	3	Piston Ring ASM
4	125-6937	1	Gear	24	125-7030	3	Pin
5	125-7185	1	Key	25	125-7180	6	Ring
7	125-7182	1	Pin-Spring	26	125-7242	3	Connecting Rod ASM
8	127-3801	1	Pulley-V	30	125-6955	6	Bolt
9	125-7109	1	Washer	31	125-7018	3	Pin-Crank
10	125-6956	1	Bolt	33	125-6997	3	Pin-Piston
11	125-6951	6	Bolt	34	125-7019	3	Pin-Crank (.25)
12	127-3802	1	Flywheel ASM	36	127-4767	3	Piston ASM (0.25 O S)
14	125-6943	1	Gear	38	127-4752	3	Ring Set (0.25 O S)

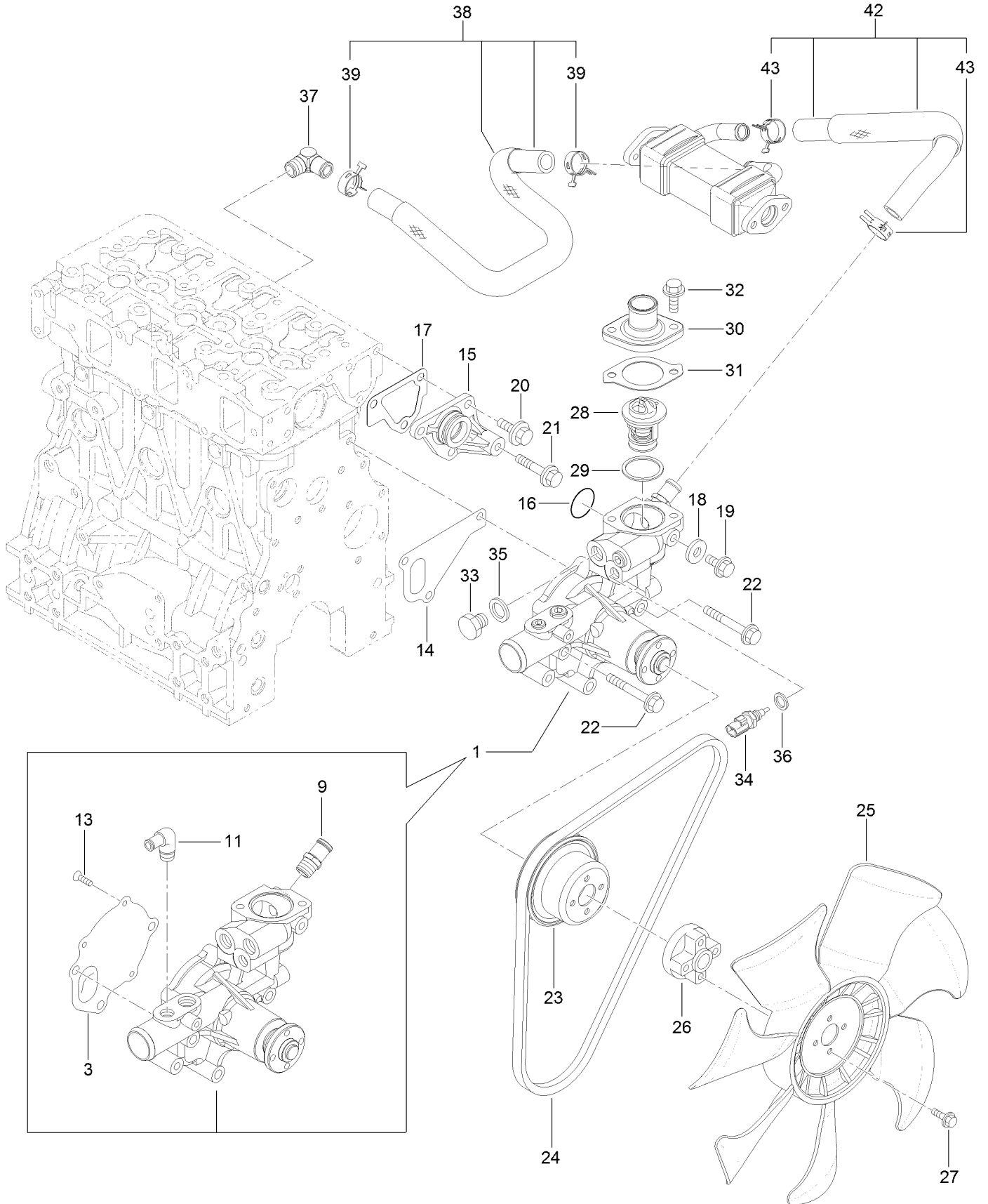
# Lubrication and Oil System Assembly



## Lubrication and Oil System Assembly (continued)

<i>Ref.</i>	<i>Part Number</i>	<i>Qty.</i>	<i>Description</i>	<i>Ref.</i>	<i>Part Number</i>	<i>Qty.</i>	<i>Description</i>
1	127-4753	1	Oil Pump ASM	16	125-7042	1	Stud
2	127-3004	1	Gasket	17	135-4022	1	Collar-Cooler, Oil
3	125-7232	4	Bolt	18	125-7024	1	Gasket
4	125-7171	1	Plug-Drain	20	125-6990	1	Joint
5	140-7168	1	Dipstick-Oil	21	125-7078	1	Pipe ASM
6	125-6954	1	Guide-Dipstick	22	125-7162	1	Clip
7	125-7022	1	Gasket	24	125-7191	1	Clamp-Hose
8	135-4017	1	Oil Inlet Pipe ASM	25	127-3804	1	Pipe ASM
9	125-7217	2	Bolt	26	125-7162	1	Clip
10	135-4018	1	Oil Cooler ASM	28	127-3805	1	Tube
11	135-4019	1	Packing-Oil Cooler	29	125-7191	1	Clamp-Hose
12	135-4020	1	Nut	30	125-7595	3	Bolt
13	135-4021	1	Lo Filter Bracket ASM	31	125-6918	1	Switch-Oil
14	140-7169	1	Filter Bracket ASM	32	125-7025	1	Filter-Engine, Oil

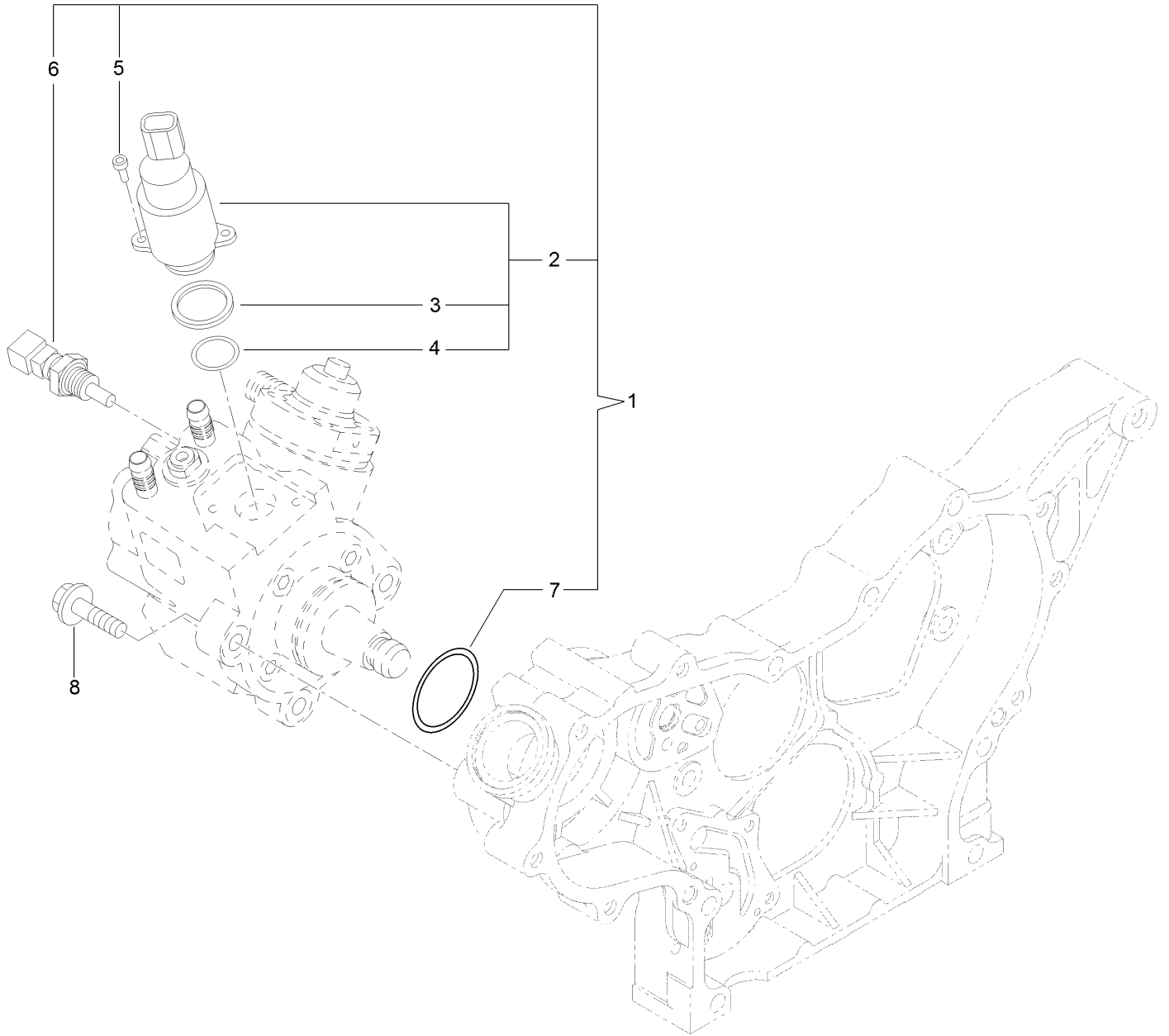
# Cooling Water System Assembly



## Cooling Water System Assembly (continued)

<i>Ref.</i>	<i>Part Number</i>	<i>Qty.</i>	<i>Description</i>	<i>Ref.</i>	<i>Part Number</i>	<i>Qty.</i>	<i>Description</i>
1	140-7176	1	CW Pump ASM	26	127-3810	1	Spacer
3	125-6998	1	Gasket	27	125-7209	4	Bolt
9	127-3017	1	Joint	28	125-7029	1	Thermostat
11	125-7001	1	Elbow	29	125-7026	1	Gasket
13	140-7170	3	Screw-Flat	30	140-7171	1	Cover-Thermostat
14	125-7047	1	Gasket	31	125-7110	1	Gasket
15	125-6986	1	Joint	32	125-7594	2	Bolt
16	125-7048	1	O-Ring	33	125-6953	1	Plug
17	125-6978	1	Gasket	34	125-7124	1	Sensor-Thermostat, CW
18	125-7192	1	Gasket	35	125-6979	1	Gasket
19	125-7212	1	Bolt	36	125-7176	1	Washer-Seal
20	125-7214	3	Bolt	37	127-4705	1	Elbow
21	125-7219	1	Bolt	38	127-4757	1	E G R-C Pipe ASM
22	125-7222	3	Bolt	39	127-3020	2	Clip-Hose
23	127-4712	1	V-Pulley	42	127-3811	1	CW Pipe ASM
24	127-4771	1	V-Belt	43	127-3020	2	Clip-Hose
25	127-4702	1	Fan				

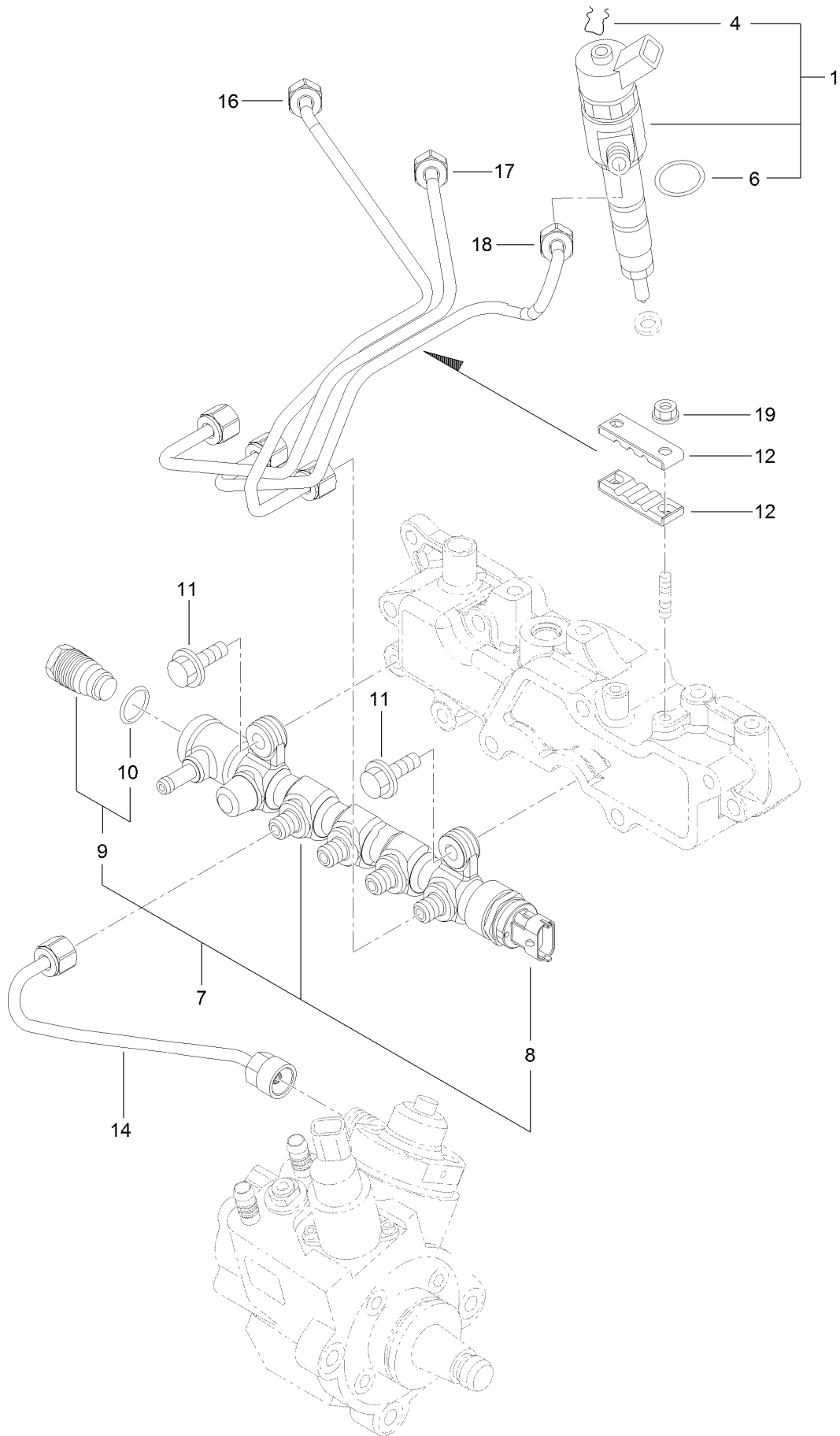
# Fuel Supply Pump Assembly



## Fuel Supply Pump Assembly (continued)

<i>Ref.</i>	<i>Part Number</i>	<i>Qty.</i>	<i>Description</i>	<i>Ref.</i>	<i>Part Number</i>	<i>Qty.</i>	<i>Description</i>
1	140-7178	1	Fuel Pump ASM	5	131-2107	2	Bolt
2	131-2103	1	Valve ASM	6	131-2108	1	Sensor-Temperature
3	131-2105	1	Ring-Sealing	7	127-3074	1	O-Ring
4	131-2106	1	O-Ring	8	125-7216	3	Bolt

# Fuel Injection Valve Assembly

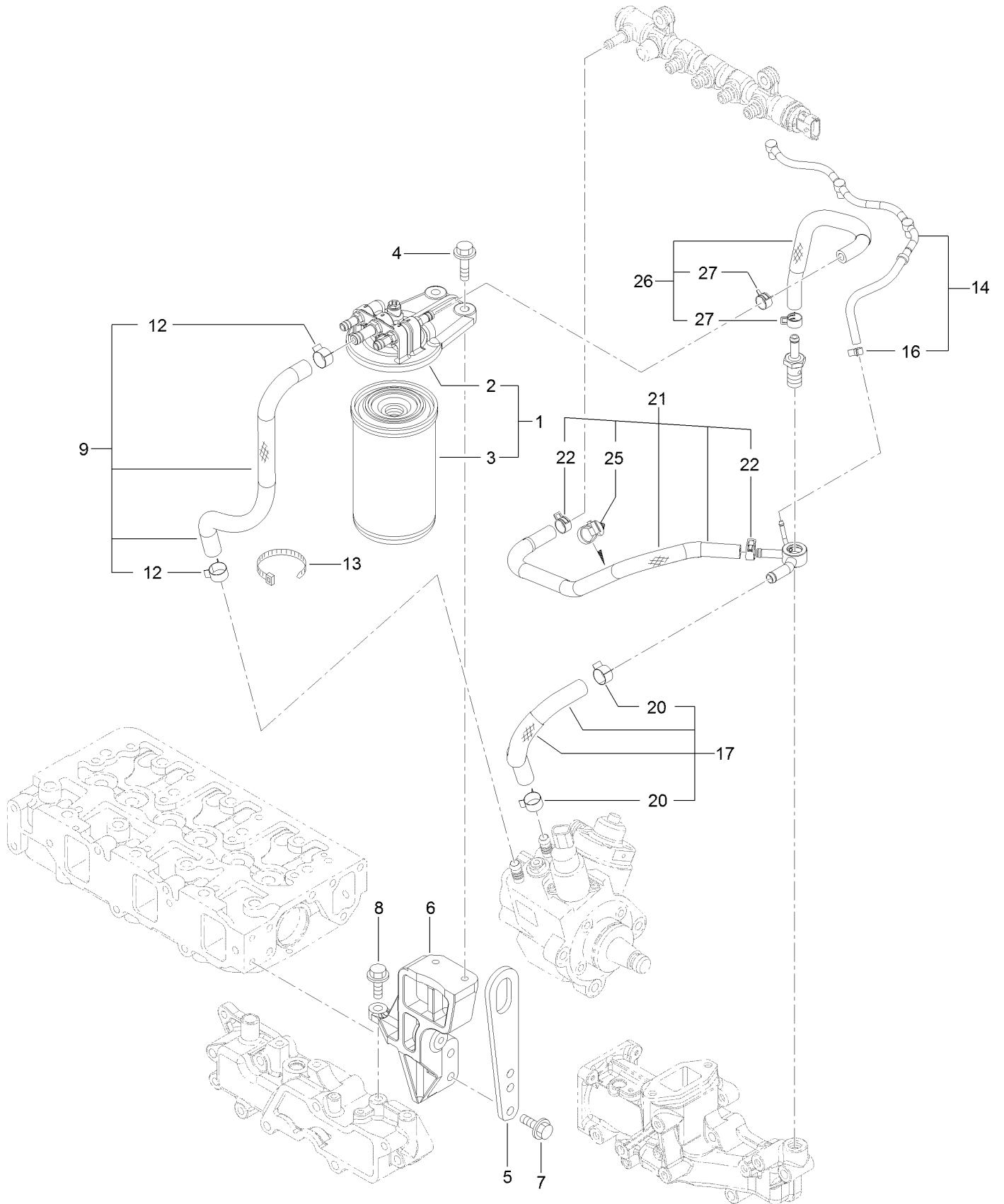




## Fuel Injection Valve Assembly (continued)

<i>Ref.</i>	<i>Part Number</i>	<i>Qty.</i>	<i>Description</i>	<i>Ref.</i>	<i>Part Number</i>	<i>Qty.</i>	<i>Description</i>
1	127-4754	3	Injector ASM	11	125-7215	2	Bolt
4	130-7430	3	Ring-Retaining	12	127-3813	2	Retainer
6	137-5173	3	O-Ring	14	127-3082	1	Rail In Pipe ASM
7	127-3812	1	Rail ASM	16	127-3814	1	Injection Pipe ASM
8	131-2709	1	Sensor-Pressure, Rail	17	127-3083	1	Injection Pipe ASM
9	131-2710	1	Valve ASM	18	127-3084	1	Injection Pipe ASM
10	130-7433	1	O-Ring	19	125-7231	2	Nut

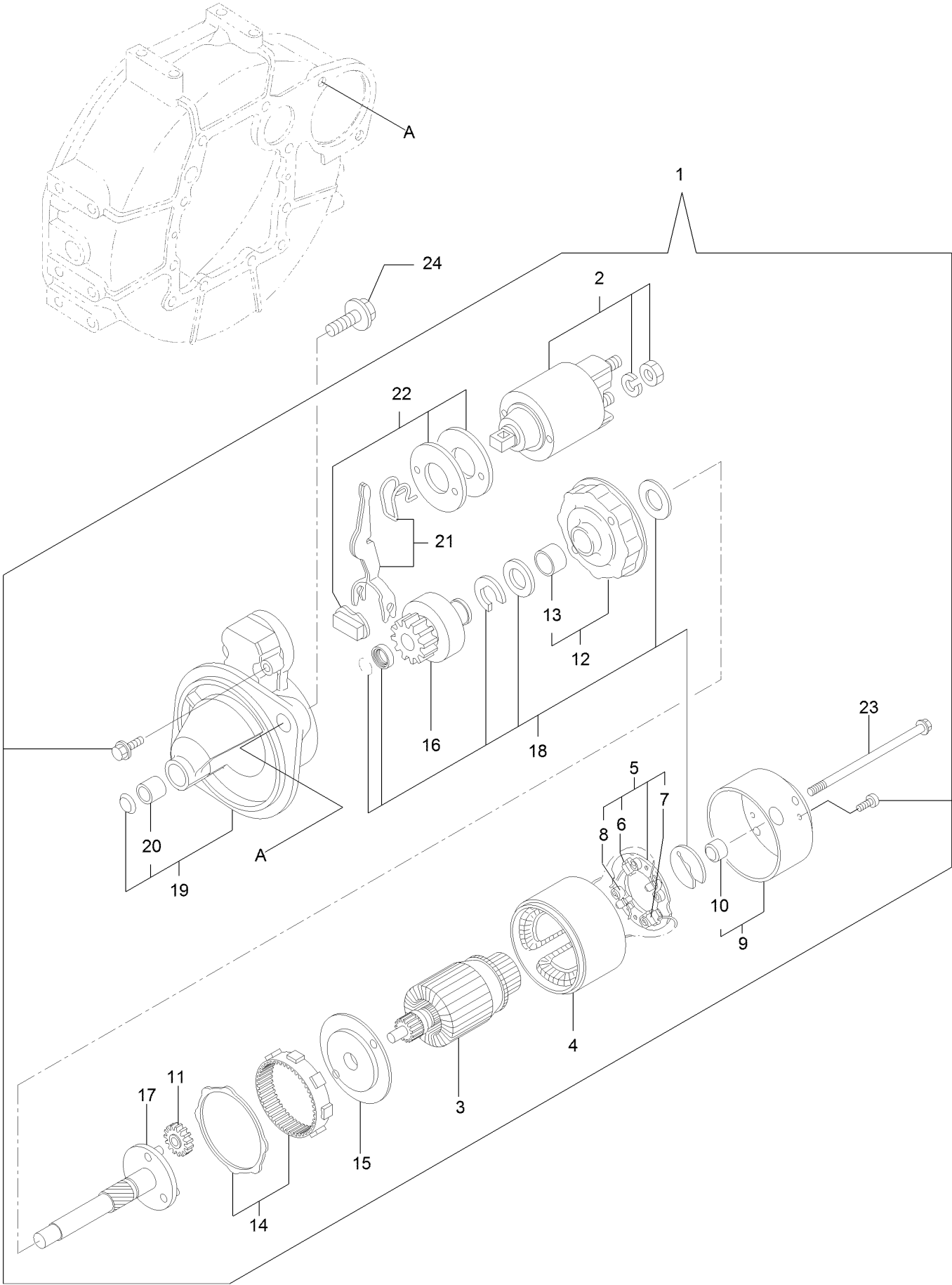
# Fuel Filter Assembly



## Fuel Filter Assembly (continued)

<i>Ref.</i>	<i>Part Number</i>	<i>Qty.</i>	<i>Description</i>	<i>Ref.</i>	<i>Part Number</i>	<i>Qty.</i>	<i>Description</i>
1	139-4535	1	Filter ASM	13	127-2981	1	Band
2	127-3076	1	Fuel/Oil Filter Bracket ASM	14	135-4023	1	Fuel/Oil Return Pipe ASM
3	139-6017	1	Filter-Fuel	16	127-3172	1	Clamp-Hose
4	125-7216	2	Bolt	17	127-3078	1	Fuel Pipe ASM
5	125-7111	1	Lifter	20	125-7191	2	Clamp-Hose
6	127-3815	1	Filter Bracket ASM	21	127-3817	1	Fuel Pipe ASM
7	125-7215	2	Bolt	22	127-2950	2	Clip-Hose
8	125-7215	1	Bolt	25	127-3087	1	Band-Clip
9	127-3077	1	Fuel Pipe ASM	26	127-3079	1	Fuel Pipe ASM
12	125-7191	2	Clamp-Hose	27	127-2950	2	Clip-Hose

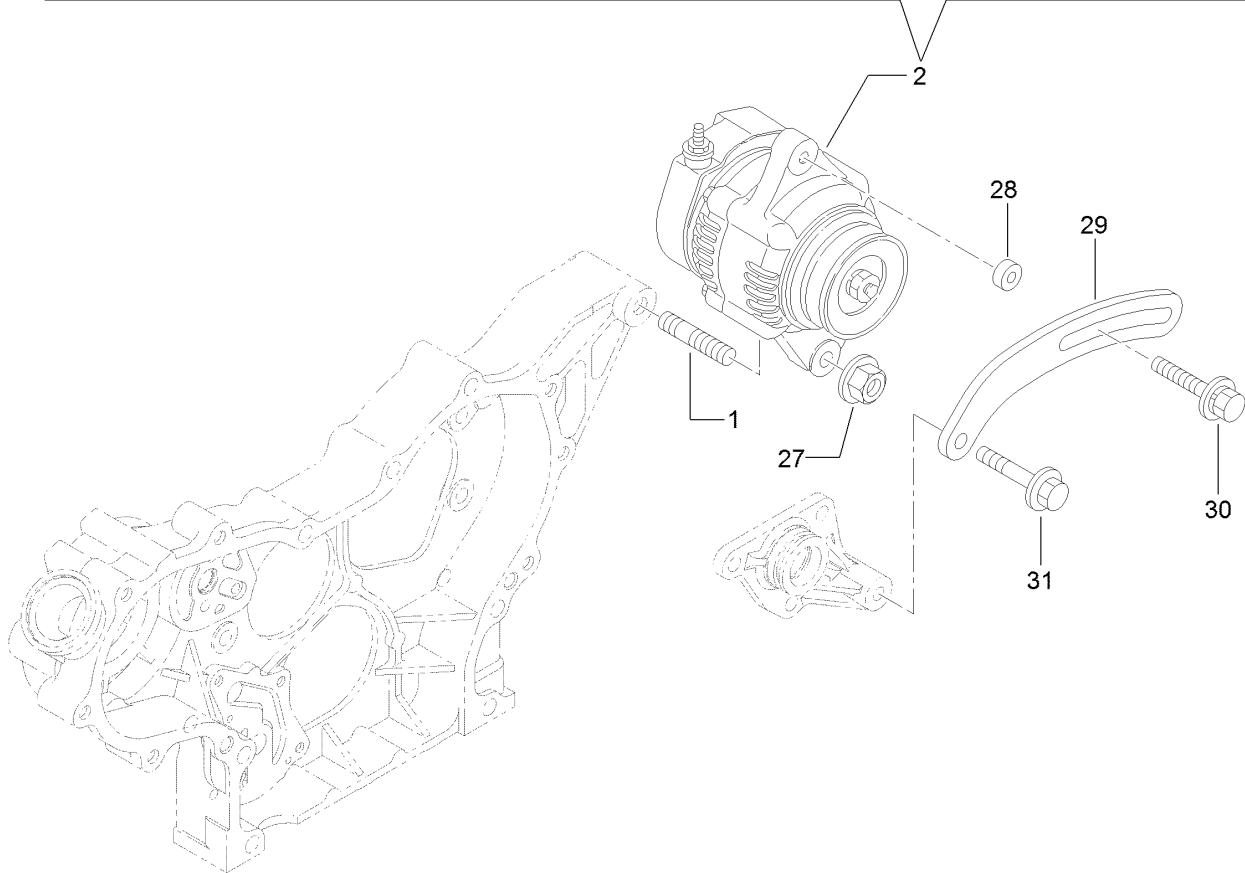
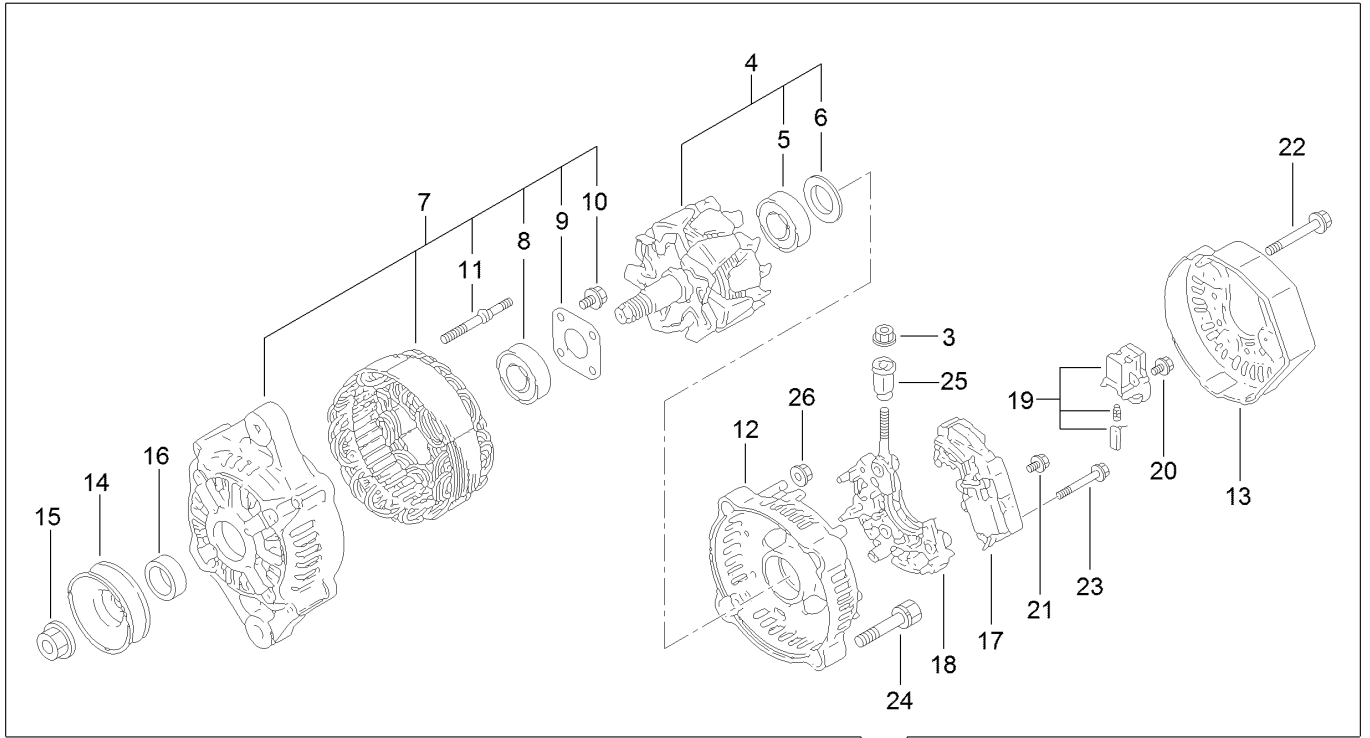
# Starting Motor Assembly



## Starting Motor Assembly (continued)

<i>Ref.</i>	<i>Part Number</i>	<i>Qty.</i>	<i>Description</i>	<i>Ref.</i>	<i>Part Number</i>	<i>Qty.</i>	<i>Description</i>
1	127-3818	1	Starter ASM	13	127-3830	1	Bracket
2	127-3819	1	Switch ASM	14	127-3831	1	Gear
3	127-3820	1	Armature ASM	15	127-3832	1	Bracket
4	127-3821	1	Yoke ASM	16	127-3833	1	Pinion ASM
5	127-3822	1	Brush Holder ASM	17	127-3834	1	Shaft
6	127-3823	2	Brush	18	127-3835	1	Washer Set
7	127-3824	1	Brush Set	19	127-3836	1	Case ASM
8	127-3825	4	Spring	20	127-3837	1	Metal-Starter
9	127-3826	1	Cover ASM	21	127-3838	1	Lever Set
10	127-3827	1	Metal	22	127-3839	1	Dust Cover ASM
11	127-3828	3	Gear	23	135-4024	2	Bolt-Through
12	127-3829	1	Bracket	24	125-7225	2	Bolt

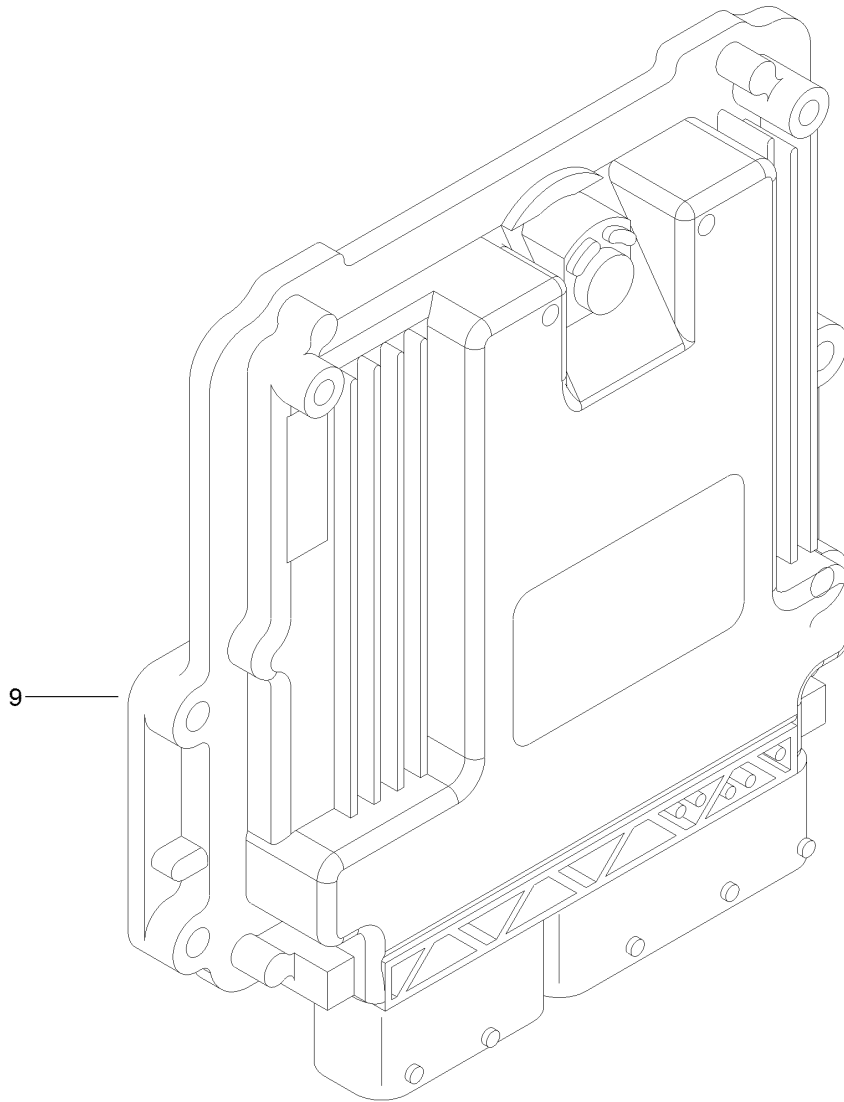
# Generator Assembly



## Generator Assembly (continued)

<i>Ref.</i>	<i>Part Number</i>	<i>Qty.</i>	<i>Description</i>	<i>Ref.</i>	<i>Part Number</i>	<i>Qty.</i>	<i>Description</i>
1	127-3011	1	Stud	17	135-4026	1	Regulator ASM
2	139-6018	1	Generator	18	127-3848	1	Holder
3	127-3190	1	Nut	19	127-2993	1	Holder
4	127-3843	1	Rotor ASM	20	127-2965	6	Screw
5	127-2983	1	Bearing-Ball	21	127-2966	1	Screw
6	127-2962	1	Cover	22	127-2967	3	Bolt
7	135-4025	1	Frame ASM	23	127-2968	2	Screw
8	127-2958	1	Bearing-Ball	24	127-2969	2	Bolt
9	127-2959	1	Plate-Retainer	25	127-2970	1	Bushing-Insulation
10	127-2960	4	Screw	26	127-2971	2	Nut
11	127-2961	2	Stud	27	125-7230	1	Nut
12	127-3845	1	Frame	28	125-6947	1	Spacer
13	127-3846	1	Cover	29	127-2977	1	Adjuster
14	127-2954	1	Pulley	30	135-4027	1	Bolt-Adjust
15	127-2955	1	Nut	31	125-7219	1	Bolt
16	127-2957	1	Collar				

# Electronic Control Unit Assembly

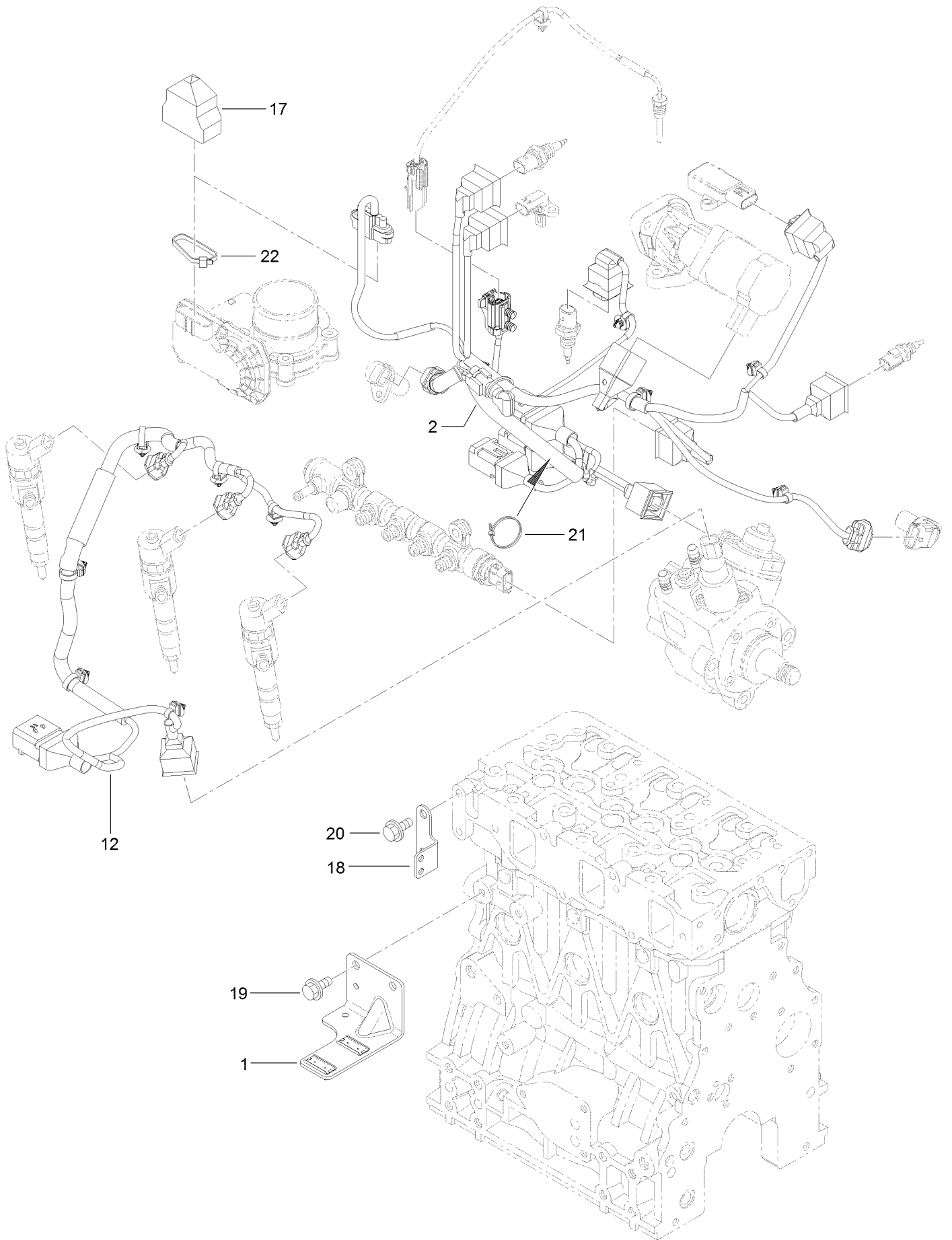




# Electronic Control Unit Assembly (continued)

<i>Ref.</i>	<i>Part Number</i>	<i>Qty.</i>	<i>Description</i>
9	121-5592	1	Electronic Control Unit

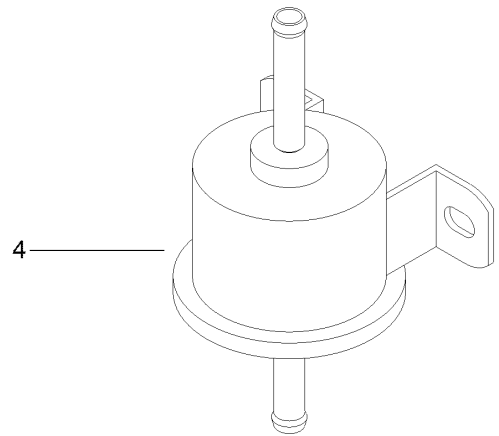
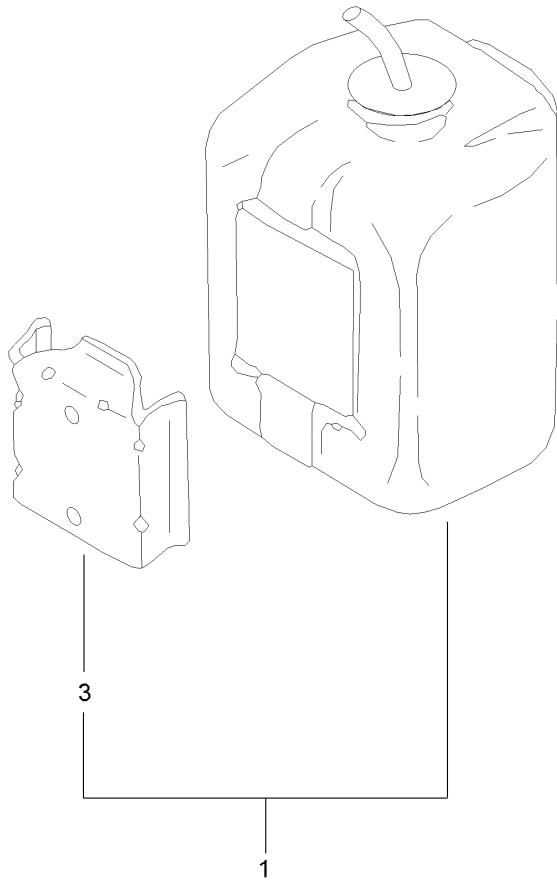
# Electric Parts Assembly



## Electric Parts Assembly (continued)

<i>Ref.</i>	<i>Part Number</i>	<i>Qty.</i>	<i>Description</i>	<i>Ref.</i>	<i>Part Number</i>	<i>Qty.</i>	<i>Description</i>
1	130-7436	1	Bracket-Connector	19	125-7213	2	Bolt
2	135-4029	1	Harness	20	125-7212	2	Bolt
12	130-7438	1	Harness	21	127-3187	1	Band
17	131-2713	1	Boot-Cap	22	127-3188	1	Band
18	127-3090	1	Bracket-Harness				

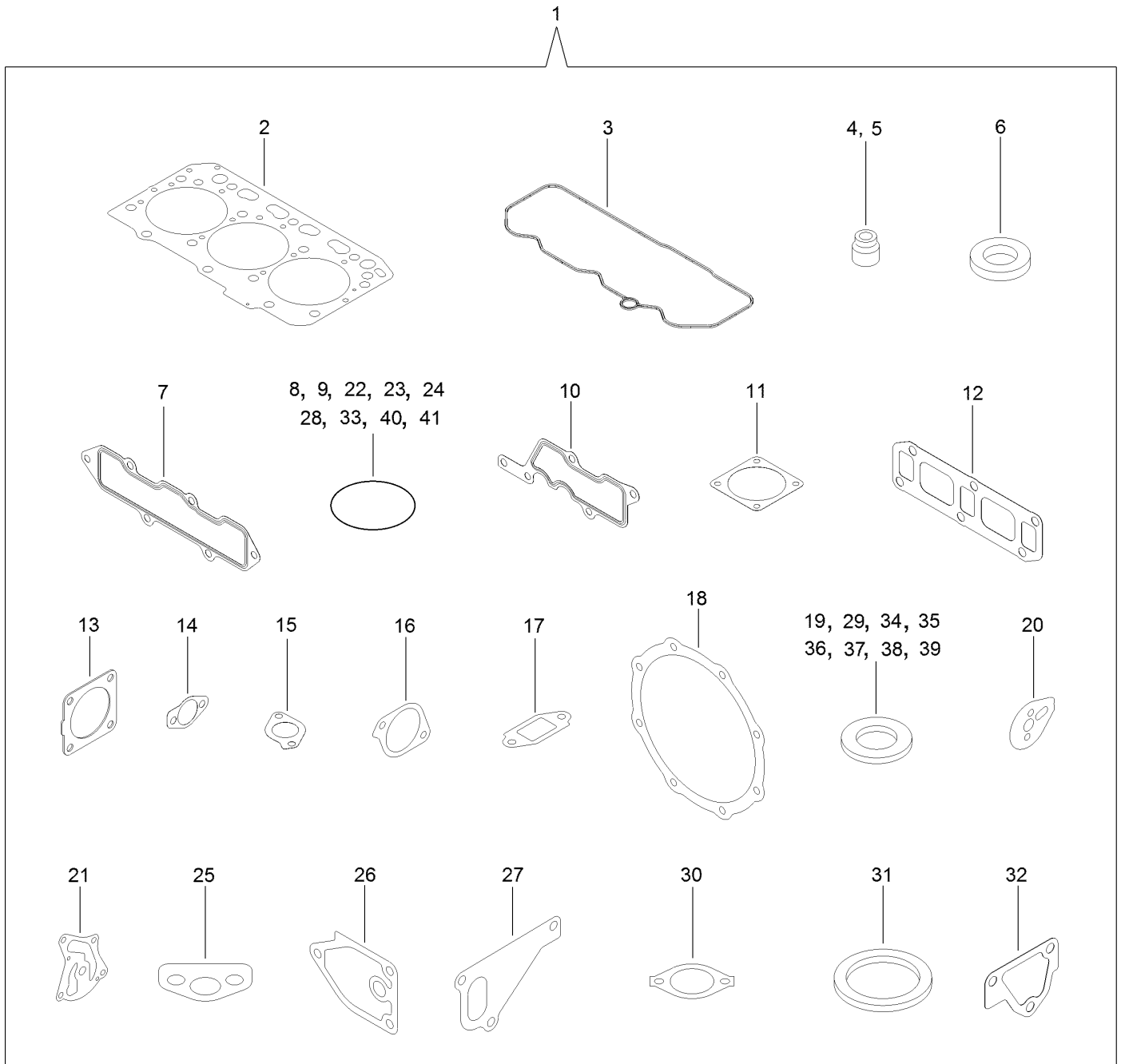
# Accessory Assembly



## Accessory Assembly (continued)

<i>Ref.</i>	<i>Part Number</i>	<i>Qty.</i>	<i>Description</i>
1	140-7185	1	Tank ASM
3	140-7165	1	Bracket-Tank
4	121-5613	1	Pump-Fuel, Electric

# Gasket Set



## Gasket Set (continued)

<i>Ref.</i>	<i>Part Number</i>	<i>Qty.</i>	<i>Description</i>	<i>Ref.</i>	<i>Part Number</i>	<i>Qty.</i>	<i>Description</i>
1	130-7440	1	Packing (Gasket Set)	21	127-3004	1	Gasket
2	127-4716	1	Head Gasket ASM	22	125-6909	2	O-Ring
3	127-3762	1	Gasket-Cover, Cylinder Head	23	127-2973	1	O-Ring
4	127-2986	3	Seal-Stem, Valve	24	125-7075	1	O-Ring
5	127-3027	3	Seal-Stem, Valve	25	125-7022	1	Gasket
6	127-3021	3	Gasket-Injector	26	125-7024	1	Gasket
7	127-3769	1	Gasket-Manifold, Intake	27	125-7047	1	Gasket
8	127-3032	2	O Ring-Sensor, Pressure	28	125-7048	1	O-Ring
9	127-3033	1	O-Ring	29	125-6979	1	Gasket
10	127-3034	1	Gasket-Collector	30	125-7110	1	Gasket
11	127-3037	2	Gasket-Throttle	31	125-7026	1	Gasket
12	127-3775	1	Gasket-Manifold, Exhaust	32	125-6978	1	Gasket
13	127-2987	1	Gasket-Silencer	33	127-3074	1	O-Ring
14	127-3043	2	Gasket-Cooler, E G R	34	125-7174	1	Washer-Seal
15	127-3016	1	Gasket	35	125-7176	1	Washer-Seal
16	127-3050	1	Gasket-Intake Valve, E G R	36	127-3166	2	Washer-Seal
17	127-3051	1	Gasket-Out Valve, E G R	37	125-7177	1	Washer-Seal
18	127-3787	2	Gasket-D P F	38	125-7192	1	Gasket
19	127-3056	4	Gasket-Sensor	39	127-3174	2	Gasket
20	127-3069	1	Gasket-Idle, Shaft B	40	138-7829	3	O-Ring
				41	125-7197	2	O-Ring

# Attachments and Accessories

## For 31903A Groundsmaster 3310 All-Wheel Drive Traction Unit

<b>Product Name</b>	<b>Model/Part</b>
Filter-Air .....	108-3810
Paint-Black Bottle .....	112-0176
Paint-Red Pen .....	112-0177
Paint-Red Bottle .....	112-0178
15-Pound Cast Weight.....	112-7059-01
42-Pound Weight .....	114-4096
Seat Cover (W/arm rest).....	117-0095
Premium Synthetic Bio-Degradable Hydraulic Fluid (5 Gallon Pail) .....	119-2157
Premium Synthetic Bio-Degradable Hydraulic Fluid (55 Gallon Drum).....	119-2158
Fuel/Water Separator Filter.....	125-2915
Engine Oil Filter .....	125-7025
Exterior Mirror Kit.....	130-5448
Interior Mirror Kit .....	130-5449
PX Hydraulic Fluid (5 Gal) .....	133-8086
PX Hydraulic Fluid (55 Gal).....	133-8087
Wrench-Caster Cap/Latch .....	138-6367
Storage Bag Kit.....	139-2020
SMV Kit.....	139-2339
Filter-Fuel .....	139-6017
Power Harness Kit.....	140-1559
Kit-Weight .....	144-0480
Plate-Weight, 25 LBS .....	144-0484
Universal Wireless Hourmeter Kit .....	144-2436
Kit-Blade, Std (24.5) 3pk.....	144-3911
Kit-Blade, Med Flow (20.5) 3pk.....	144-3912
Kit-Blade, High Flow (20.5) 3pk .....	144-3913
Kit-Blade, Atomic (20.5) 3pk .....	144-3914
Kit-Blade, Low Flow (24.5) 3pk .....	144-3915
Kit-Blade, Recycling (24.5) 3pk.....	144-3916
Kit-Blade, Low Flow (20.5) 3pk .....	144-3917
Kit-Blade, Recycling (20.5) 3pk.....	144-3918
Hose Replacement Kit, Groundsmaster 3200 or 3300 Series Traction Unit.....	144-3960
Kit-Blade-24.50 Low Flow 3pk .....	144-3962
Kit-Blade-24.50 Recycler 3pk .....	144-3963
Kit-Blade-20.50 Low Flow 3pk .....	144-3964
Kit-Blade-20.50 Recycler 3pk .....	144-3965
Kit-Blade-24.50 Atomic 3pk .....	144-3966
Kit-Blade-20.50 Atomic 3pk .....	144-3967
Slope Sensor Kit.....	31952
CE Kit, Groundsmaster 3200 or 3300 Series Traction Unit.....	31953
CE Kit, Groundsmaster 3200 or 3300 Series 60in Side Discharge Rotary Mower.....	31957
CE Kit, Groundsmaster 3200 or 3300 Series 72in Side Discharge Rotary Mower.....	31958
CE Kit, Groundsmaster 3200 or 3300 Series 60in Rear Discharge Rotary Mower .....	31959
CE Kit, Groundsmaster 3200 or 3300 Series 72in Rear Discharge Rotary Mower .....	31960
Auxiliary HYD Kit .....	31966
60in SD Deck.....	31970



## Attachments and Accessories (continued)

60in RD Deck.....	31971
72in SD Deck.....	31972
72in RD Deck.....	31973
60in RD Deck, T2 .....	31974
72in RD Deck, T2 .....	31975
Recycler Kit 60in/152cm SD .....	31976
Recycler Kit, 60In/152cm RD.....	31977
Recycler Kit, 72In/183cm SD .....	31978
Recycler Kit, 72In/183cm RD.....	31979
Storage Box Kit.....	31983
USB Charging Kit.....	31984
Recycler Kit 60in/152cm Rd T2.....	31985
Recycler Kit 72in/183cm Rd T2.....	31986
Road Light Kit (North America) .....	31991
Road Light Kit (EU).....	31992
LED Work Light Kit.....	31993
Accessory Control Kit .....	31994
LED Beacon Kit .....	31996
Hydraulic Hose Kit .....	31999
Seat Asm - Standard .....	32301
Seat Asm - Mech Susp .....	32302
Carriage Bolt.....	32303
Toro Red 12oz Aerosol Can.....	361-10
Semi-Gloss Black Spray Paint.....	361-9
Filter-Oil, Transmission.....	86-3010
Boss Plow, 5ft Straight Blade .....	MSC23345
Blade Crate (Snowplow), ATV Poly S .....	STB13567B

**Notes:**

**Notes:**



**Count on it.**