



Count on it.

Parts Catalog

2000 Series HDX RD

122cm Riding Mower

Model No. 74456TE—Serial No. 414401000 and Up



Ordering Replacement Parts

To order replacement parts, please supply the part number, the quantity, and the description of each part desired.

Understanding Reference Numbers

Each identified part in an illustration has a reference number. The reference number for a part also appears in the parts list, along with other information about the part.

This catalog uses two special reference number formats, one to indicate parts in a service assembly and another to indicate the quantity of a given part in an illustration.

Service Assembly Reference Numbers

Parts in service assemblies have reference numbers in the form a:b. The a represents the reference number of the entire service assembly and the b represents a sequential number unique to each part within the service assembly.

For example, a wheel assembly might be identified by reference number 6, the tire by 6:1, the valve by 6:2, and the wheel by 6:3. When you order the assembly identified by reference number 6, you receive all parts identified by reference numbers 6:1, 6:2, and 6:3. However, you may also order any part individually. Reference numbers of this type appear in illustration and in parts lists.

Reference Numbers Indicating Quantity

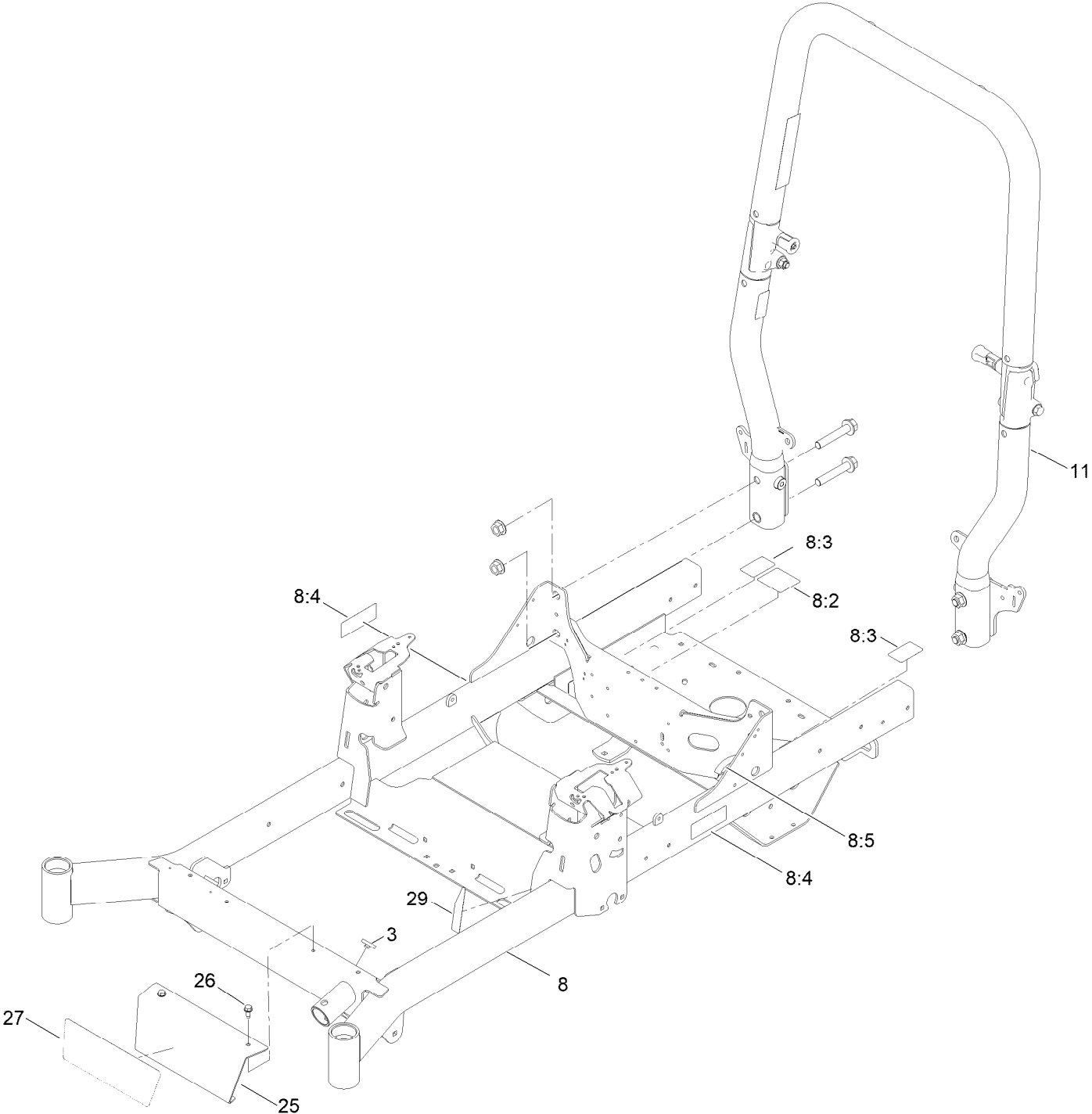
In an illustration, if a reference number indicates more than one part, the reference number has the form nX y. The n represents the quantity of the part, the X is the multiplication symbol, and the y represents the reference number.

For example, in an illustration, the reference number 2X 37 means that two of the parts identified by reference number 37 are indicated.

Contents

Frame and Roll-Over Protection System Assembly	4
Roll-Over Protection System Assembly No. 136-8987.....	6
Hydraulic Drive Assembly.....	8
LH Transaxle Assembly No. 126-4882.....	10
RH Transaxle Assembly No. 126-4883	12
Console and Guard Assembly	14
Fuel Assembly	16
Fuel Tank Assembly No. 126-4724	18
Motion Control Assembly	20
LH and RH Motion Control Assembly	22
Caster Assembly	24
Fork and Caster Assembly	26
Rear Wheel Assembly	28
Electrical Assembly	30
Harness Assembly No. 126-5803	32
Deck Lift Assembly.....	34
Deck Strut Assembly No. 126-8365	36
Engine, Clutch and Muffler Assembly	38
Suspension Platform and Seat Assembly.....	40
Seat Assembly No. 144-3771	42
Deck Assembly	44
Deck Decal Assembly No. 134-4546	46
Attachments and Accessories	48

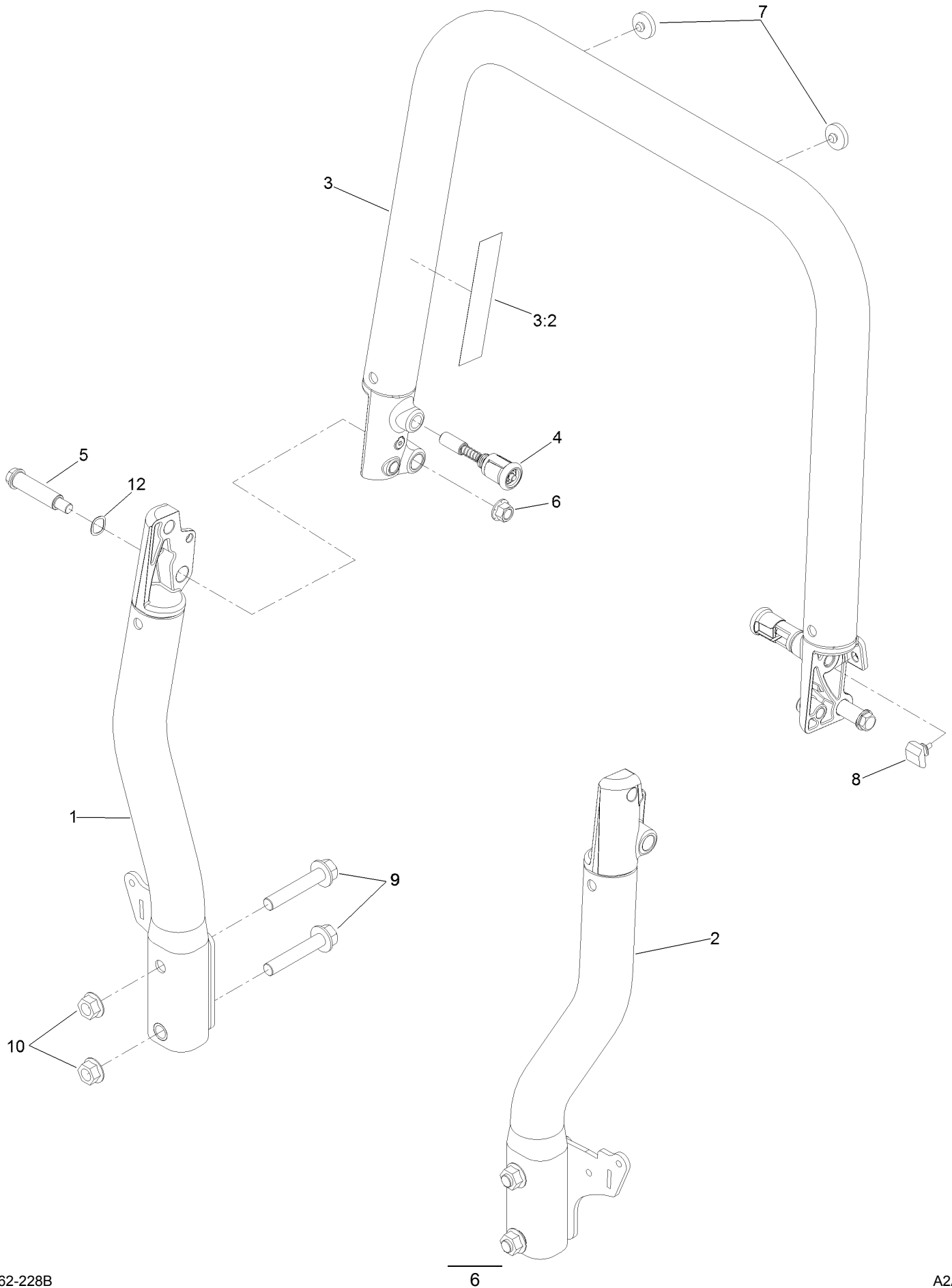
Frame and Roll-Over Protection System Assembly



Frame and Roll-Over Protection System Assembly (continued)

<i>Ref.</i>	<i>Part Number</i>	<i>Qty.</i>	<i>Description</i>	<i>Ref.</i>	<i>Part Number</i>	<i>Qty.</i>	<i>Description</i>
3	109-9233	2	Bumper-Push-In, Rubber	11	136-8987	1	ROPS ASM
8	136-8983	1	Suspension Frame ASM	25	133-9345-01	1	Plate-Front
8:2	109-6014	1	Decal-Routing, Belt	26	32144-70	2	Screw-HWHTF
8:3	116-8588	2	Decal-Release, Drive	27	140-1227	1	Decal-Z Master
8:4	126-4363	2	Decal-Warning	29	145-3668	1	Decal-Fill, Fuel
8:5	127-6618	1	Strip-Seal				

Roll-Over Protection System Assembly No. 136-8987

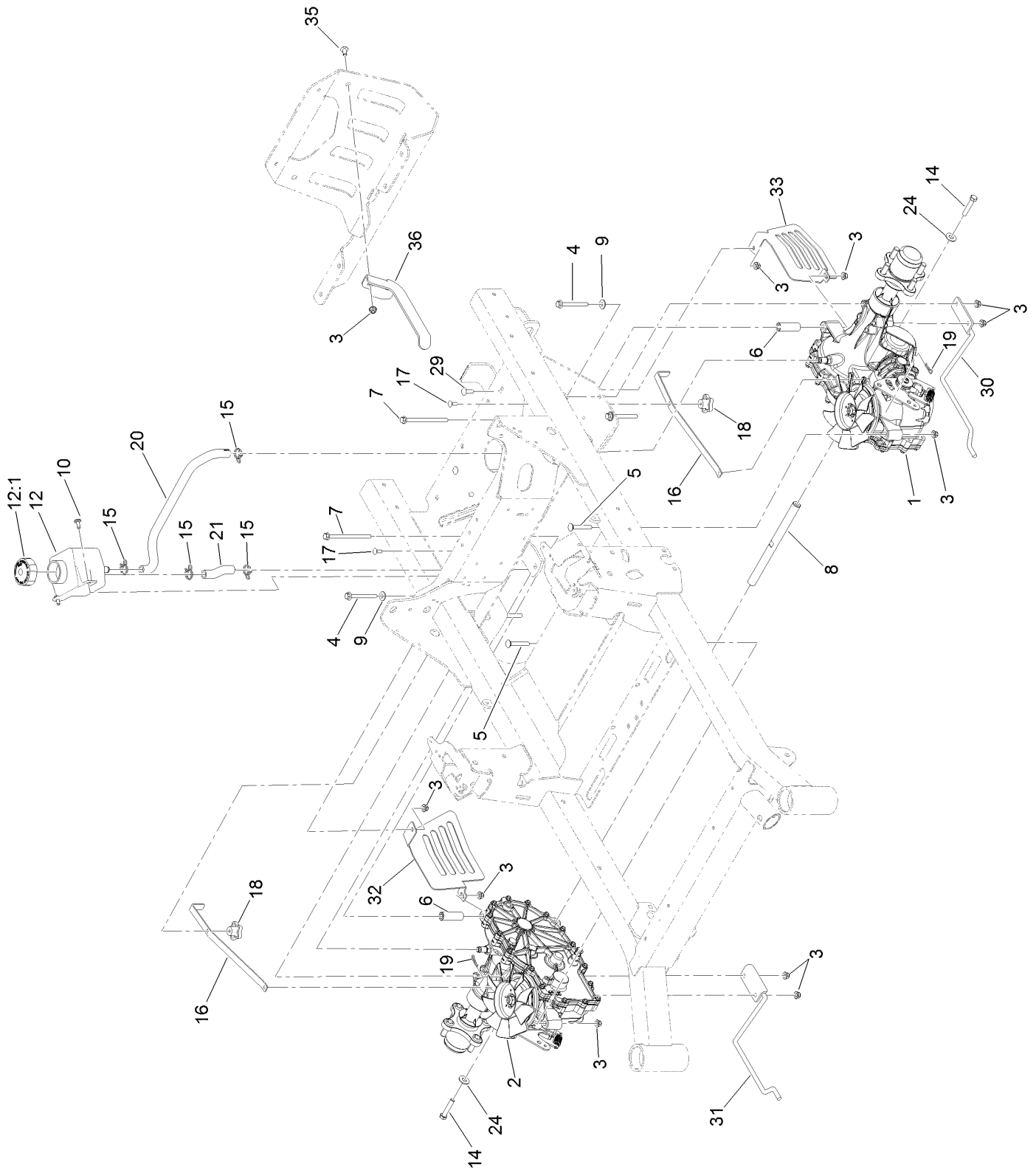


Roll-Over Protection System Assembly No. 136-8987 (continued)

<i>Ref.</i>	<i>Part Number</i>	<i>Qty.</i>	<i>Description</i>	<i>Ref.</i>	<i>Part Number</i>	<i>Qty.</i>	<i>Description</i>
1		1	Tube-Upright, RH ●	6	99-5107	2	Nut-Lock
2		1	Tube-Upright, LH ●	7	135-0504	2	Bumper-ROPS
3		1	Top Tube ASM ●	8	126-9966	2	Bumper-ROPS
3:2	107-3069	1	Decal-Warning	9	126-9488	4	Screw-HHF
4	116-0104	2	Pin-Spring	10	32128-50	4	Nut-Flange
5	126-9209	2	Bolt-Shoulder	12	119-4164	2	Washer-Wave

● Not serviced separately

Hydraulic Drive Assembly

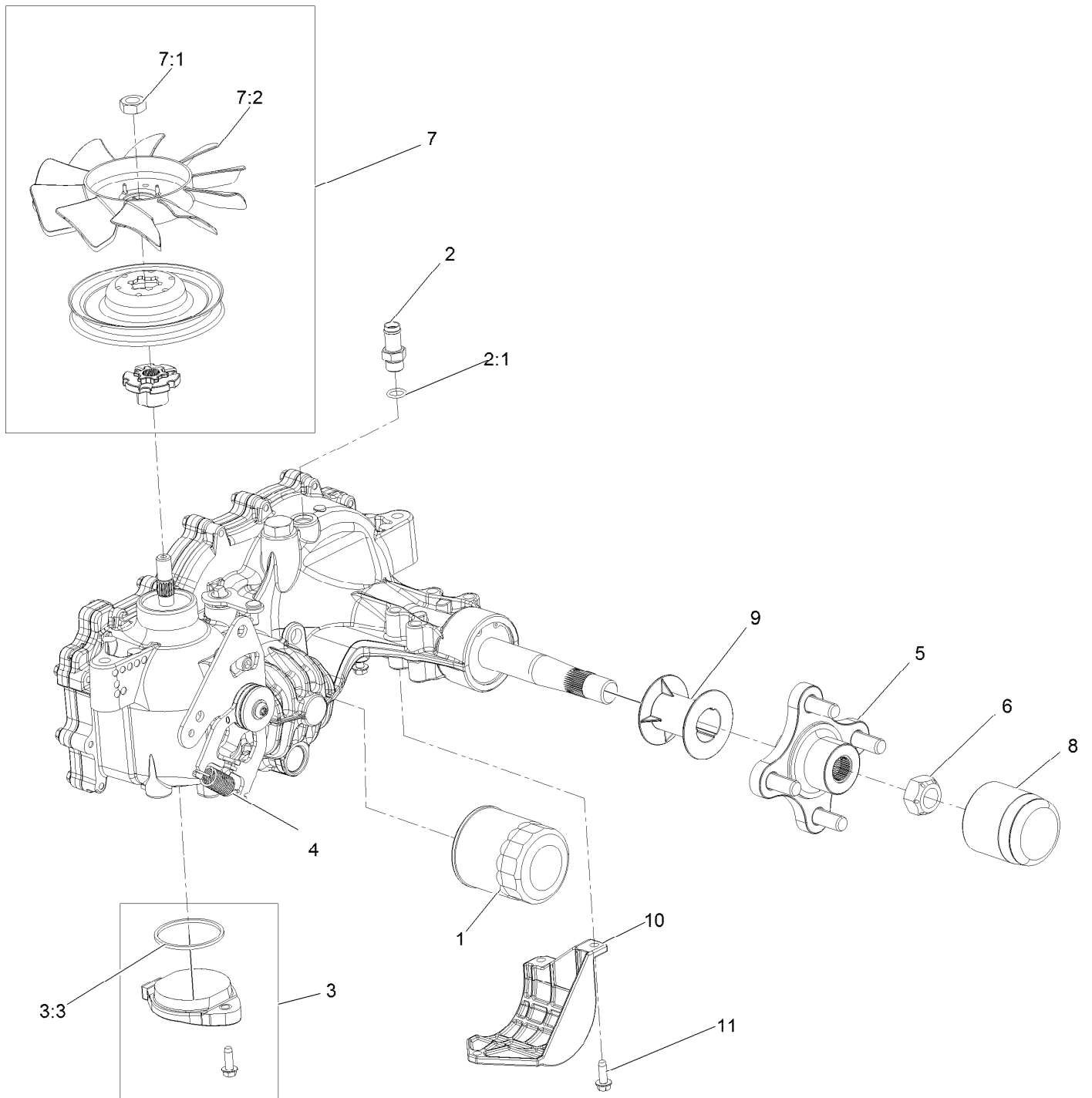


Hydraulic Drive Assembly (continued)

<i>Ref.</i>	<i>Part Number</i>	<i>Qty.</i>	<i>Description</i>	<i>Ref.</i>	<i>Part Number</i>	<i>Qty.</i>	<i>Description</i>
1	126-4882	1	LH Transaxle ASM	16	109-5395	2	Arm-Bypass, Hydro
2	126-4883	1	RH Transaxle ASM	17	3229-1	2	Screw-CARR
3	104-8300	11	Nut-HF, NI	18	108-6402	2	Knob-Handle
4	126-4687	4	Screw-HHF	19	1-806003	2	Pin-Cotter
5	3230-7	2	Bolt-CARR	20	133-1325	1	Hose-Hydraulic
6	116-5809	2	Spacer-Hydro	21	133-1320	1	Hose-Hydraulic
7	126-5896	2	Screw HHF	24	3256-4	2	Washer-Flat
8	116-6833	1	Shaft-Spacer	29	3230-22	2	Screw-CARR
9	1-303334	4	Washer-Spring	30	126-7778	1	Support-Upper, LH
10	126-6266	2	Screw-Tph	31	126-7779	1	Support-Upper, RH
12	109-2250	1	Tank-HYD	32	126-7755-03	1	Guard-Clutch, RH
12:1	109-3320	1	Cap-Reservoir, HYD	33	126-7756-03	1	Guard-Clutch, LH
14	94-7972	2	Screw-HH W/Loctite ●	35	126-6268	1	Screw-TTH
15	126-0327	4	Clamp-Hose	36	126-8946-03	1	Bracket-Guard, Muffler

● Use Pro-Lock, Nut Type (P/N 1-840022, .5ml tube) on threads.

LH Transaxle Assembly No. 126-4882

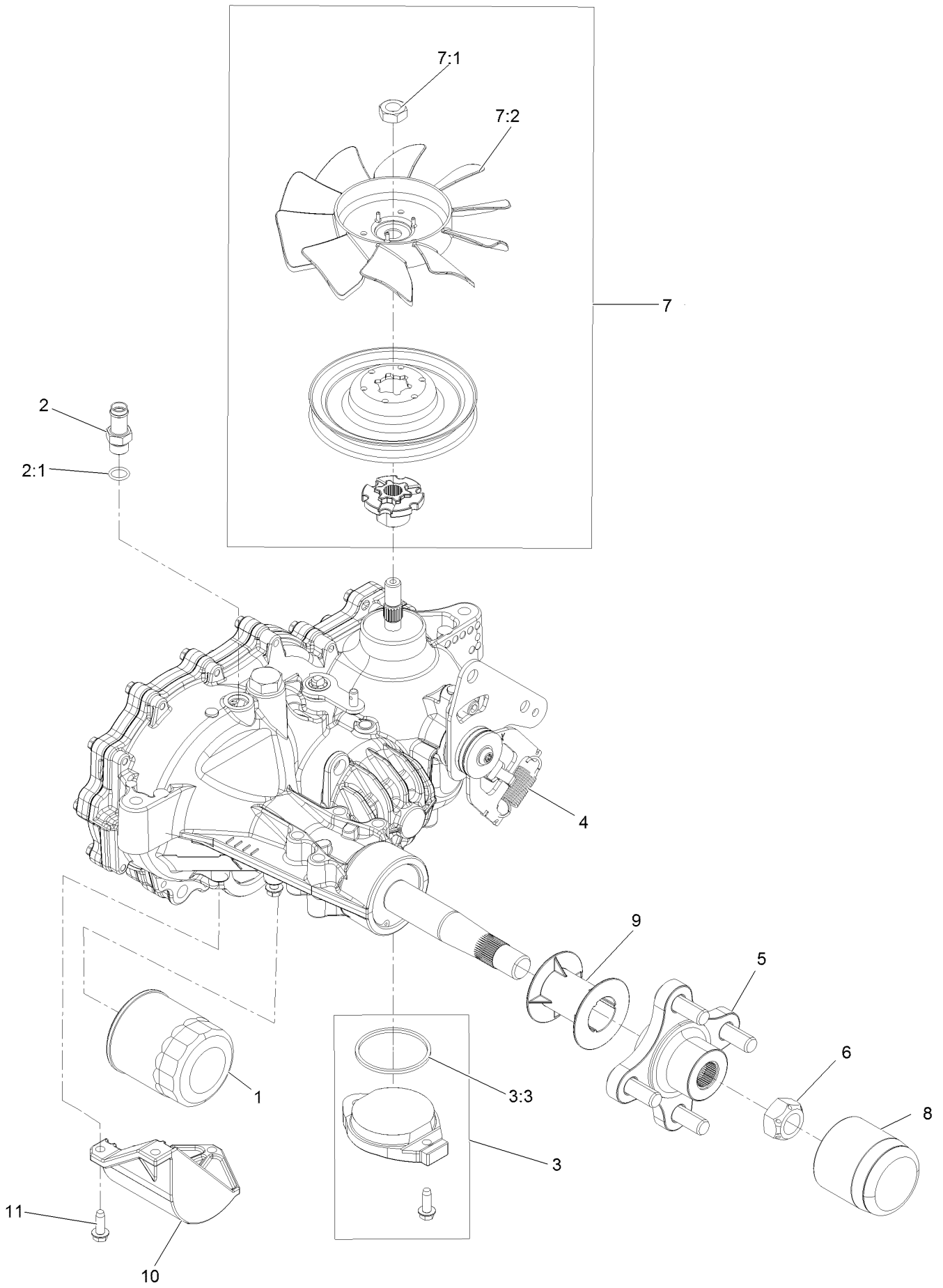


LH Transaxle Assembly No. 126-4882 (continued)

<i>Ref.</i>	<i>Part Number</i>	<i>Qty.</i>	<i>Description</i>	<i>Ref.</i>	<i>Part Number</i>	<i>Qty.</i>	<i>Description</i>
1	109-3321	1	Filter-Hydraulic	7:1	116-9714	1	Nut-HJ
2	109-3278	1	Adapter-Straight	7:2	126-0226	1	Fan
2:1	237-42	1	O-Ring	8	116-6214	1	Cap-Axle, Long
3	114-8465	1	Charge Kit	9	116-6213	1	Tube-Axle
3:3	109-3540	1	O-Ring-Charge Seal Cover	10	120-7979	1	Guard-Filter, LH
4	109-5592	1	Spring	11	104-2120	3	Screw
5	116-3872	1	Hub-Offset	99	135-3604	1	Brake Shaft Seal Kit
6	109-3536	1	Nut-Hub	99	109-3537	1	Seal Kit ●
7	135-7347	1	Fan And Pulley Kit				

● Not illustrated

RH Transaxle Assembly No. 126-4883

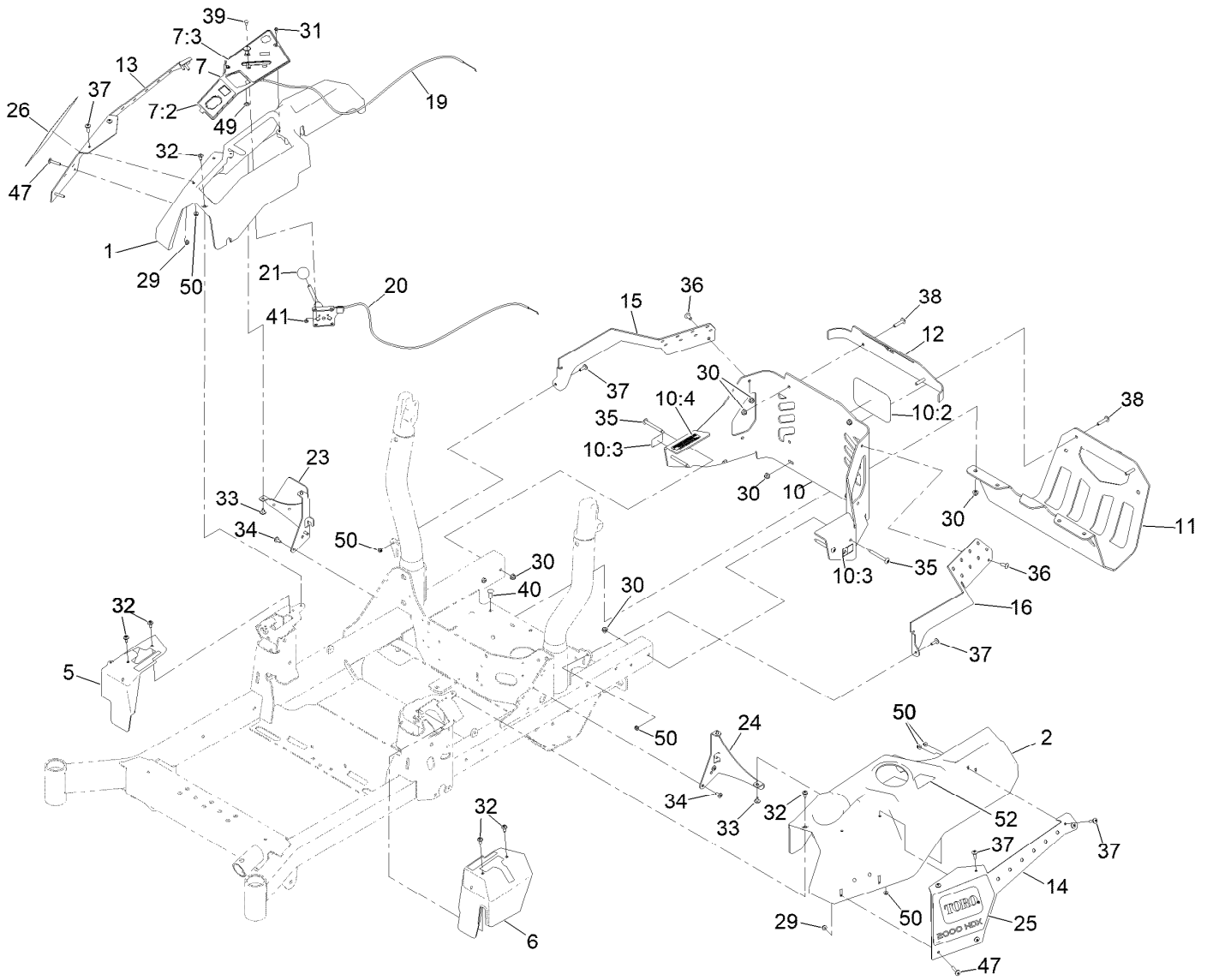


RH Transaxle Assembly No. 126-4883 (continued)

<i>Ref.</i>	<i>Part Number</i>	<i>Qty.</i>	<i>Description</i>	<i>Ref.</i>	<i>Part Number</i>	<i>Qty.</i>	<i>Description</i>
1	109-3321	1	Filter-Hydraulic	7:1	116-9714	1	Nut-HJ
2	109-3278	1	Adapter-Straight	7:2	126-0226	1	Fan
2:1	237-42	1	O-Ring	8	116-6214	1	Cap-Axle, Long
3	114-8465	1	Charge Kit	9	116-6213	1	Tube-Axle
3:3	109-3540	1	O-Ring-Charge Seal Cover	10	120-7981	1	Guard-Filter, RH
4	109-5592	1	Spring	11	104-2120	3	Screw
5	116-3872	1	Hub-Offset	99	135-3604	1	Brake Shaft Seal Kit ●
6	109-3536	1	Nut-Hub	99	109-3537	1	Seal Kit ●
7	135-7347	1	Fan And Pulley Kit				

● Not illustrated

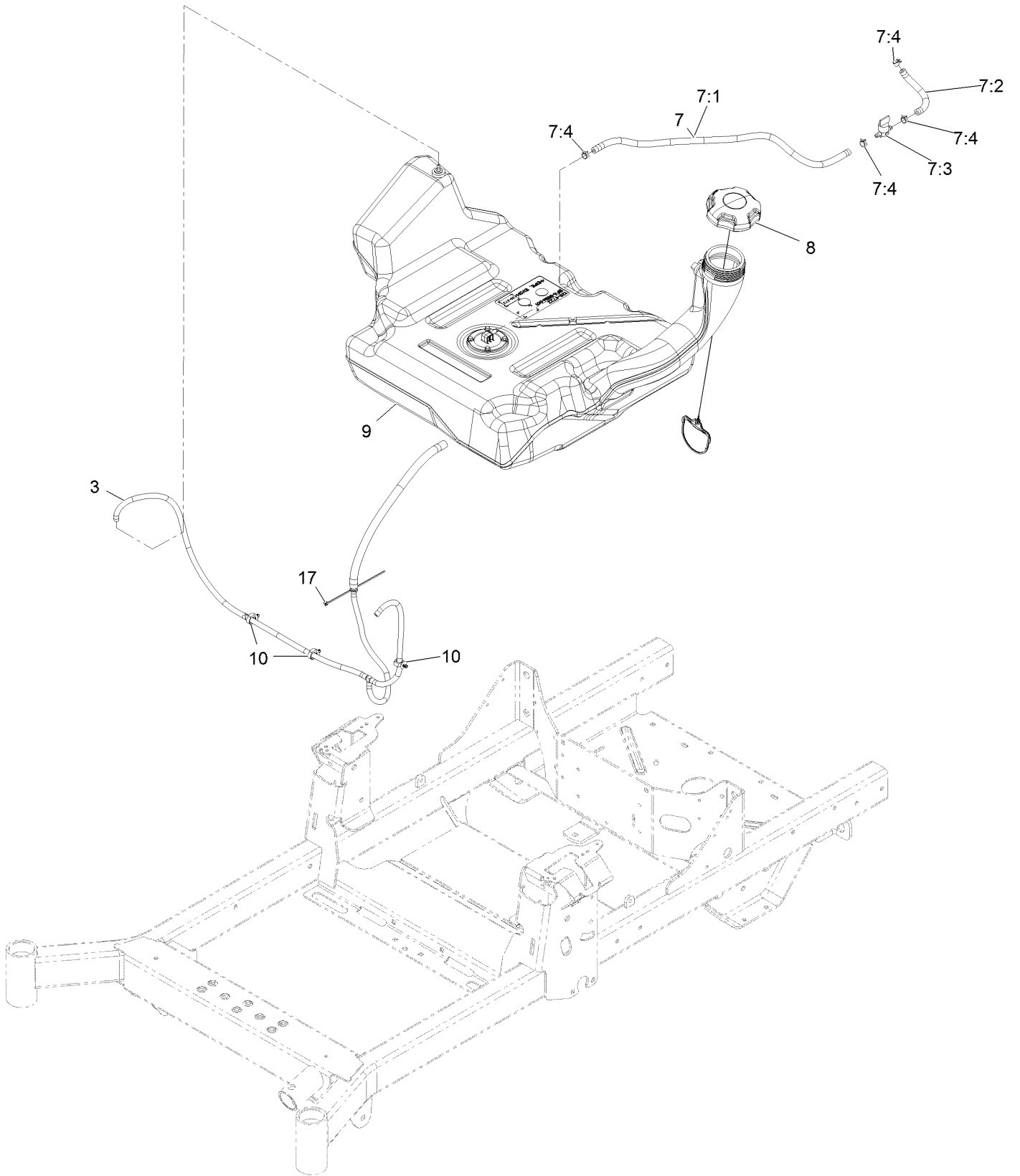
Console and Guard Assembly



Console and Guard Assembly (continued)

<i>Ref.</i>	<i>Part Number</i>	<i>Qty.</i>	<i>Description</i>	<i>Ref.</i>	<i>Part Number</i>	<i>Qty.</i>	<i>Description</i>
1	126-4983	1	Console-RH	24	126-5532-03	1	Bracket-Console, LH
2	126-4984	1	Console-LH	25	140-4354	1	Decal - HDX
5	126-7371	1	Cover-Control, Motion (RH)	26	140-4352	1	Decal - HDX
6	126-7372	1	Cover-Control, Motion (LH)	29	104-7201	4	Nut-HF, NI
7	147-0323	1	Control Panel ASM	30	104-8300	12	Nut-HF, NI
7:2	126-9115	1	Decal-Panel, Control	31	117-5036	2	Screw-Plastic, HWH
7:3	137-9240	1	Decal-Panel, Control	32	120-7950	6	Screw-Torx
10	139-3643	1	Rear Guard ASM	33	126-5544	4	Screw-Torx
10:2	99-4693	1	Decal	34	126-6266	4	Screw-Tph
10:3	106-5517	2	Decal-Warning	35	126-6267	4	Screw-TTH
10:4	133-8062	1	Decal-Arrestor, Spark	36	126-6268	2	Screw-TTH
11	135-5084-03	1	Guard-Muffler [black]	37	126-6269	10	Screw-Truss
12	139-3644-01	1	Trim-Upper Rear	38	126-7439	4	Screw-Torx
13	136-1745-03	1	Cover, Pod RH	39	1-807513	2	Bolt-CARR
14	136-1746-03	1	Cover-LH	40	3230-22	2	Screw-CARR
15	126-9023-01	1	Bracket-Guard, RH	41	3296-2	2	Nut-Lock, NI
16	126-9022-01	1	Bracket-Guard, LH	47	126-8232	4	Screw-Truss Hex Skt
19	126-7009	1	Cable-Control, Choke	49	3220-3	1	Nut-HJ
20	126-7008	1	Cable-Control, Throttle	50	32149-2	10	Nut-Keps
21	1-603175	1	Knob-Ball	52	126-9939	1	Decal-Fill, Fuel
23	126-9945	1	Support-Console, RH				

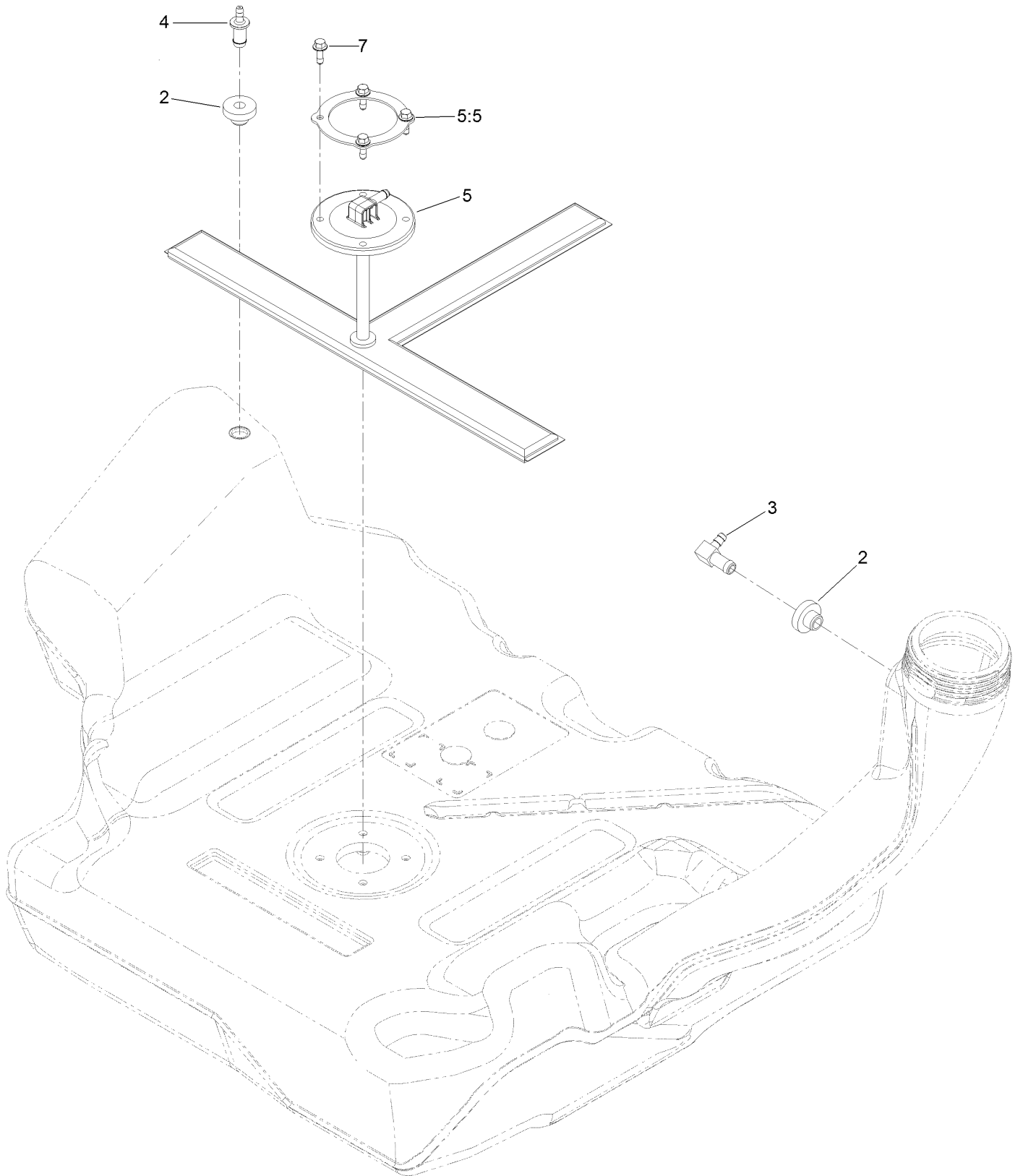
Fuel Assembly



Fuel Assembly (continued)

<i>Ref.</i>	<i>Part Number</i>	<i>Qty.</i>	<i>Description</i>	<i>Ref.</i>	<i>Part Number</i>	<i>Qty.</i>	<i>Description</i>
3	126-8736	1	Vent Hose ASM	7:4	2412-98	4	Clamp-Hose
7	126-8740	1	Fuel Hose ASM	8	135-4801	1	Cap-Fuel, Ratcheting
7:1	109-0302	1	Hose-Fuel Line 24"	9	126-4724	1	Tank-Fuel
7:2	109-0678	1	Hose-Fuel	10	126-5523	3	Clip
7:3	1-603770	1	Valve-Fuel	17	1-303287	1	Tie-Cable 5 1/2 (Small)

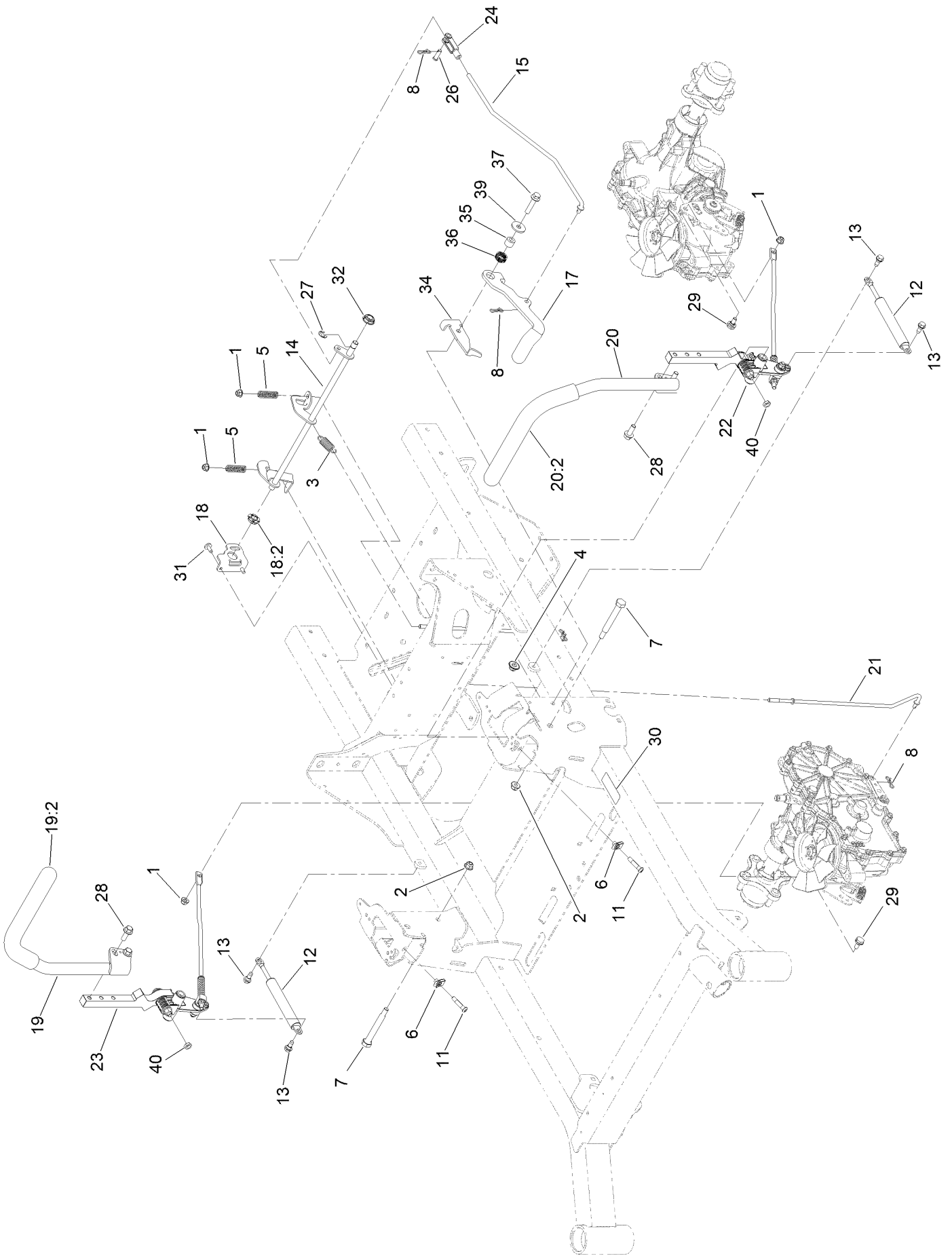
Fuel Tank Assembly No. 126-4724



Fuel Tank Assembly No. 126-4724 (continued)

<i>Ref.</i>	<i>Part Number</i>	<i>Qty.</i>	<i>Description</i>	<i>Ref.</i>	<i>Part Number</i>	<i>Qty.</i>	<i>Description</i>
2	46-6560	2	Bushing	5	126-5528	1	Pickup-Fuel
3	126-9057	1	Fitting-90 DEG	5:5	126-5527	1	Ring-Retainer
4	116-4630	1	Fitting-Orifice, Straight	7	126-5525	4	Bolt

Motion Control Assembly

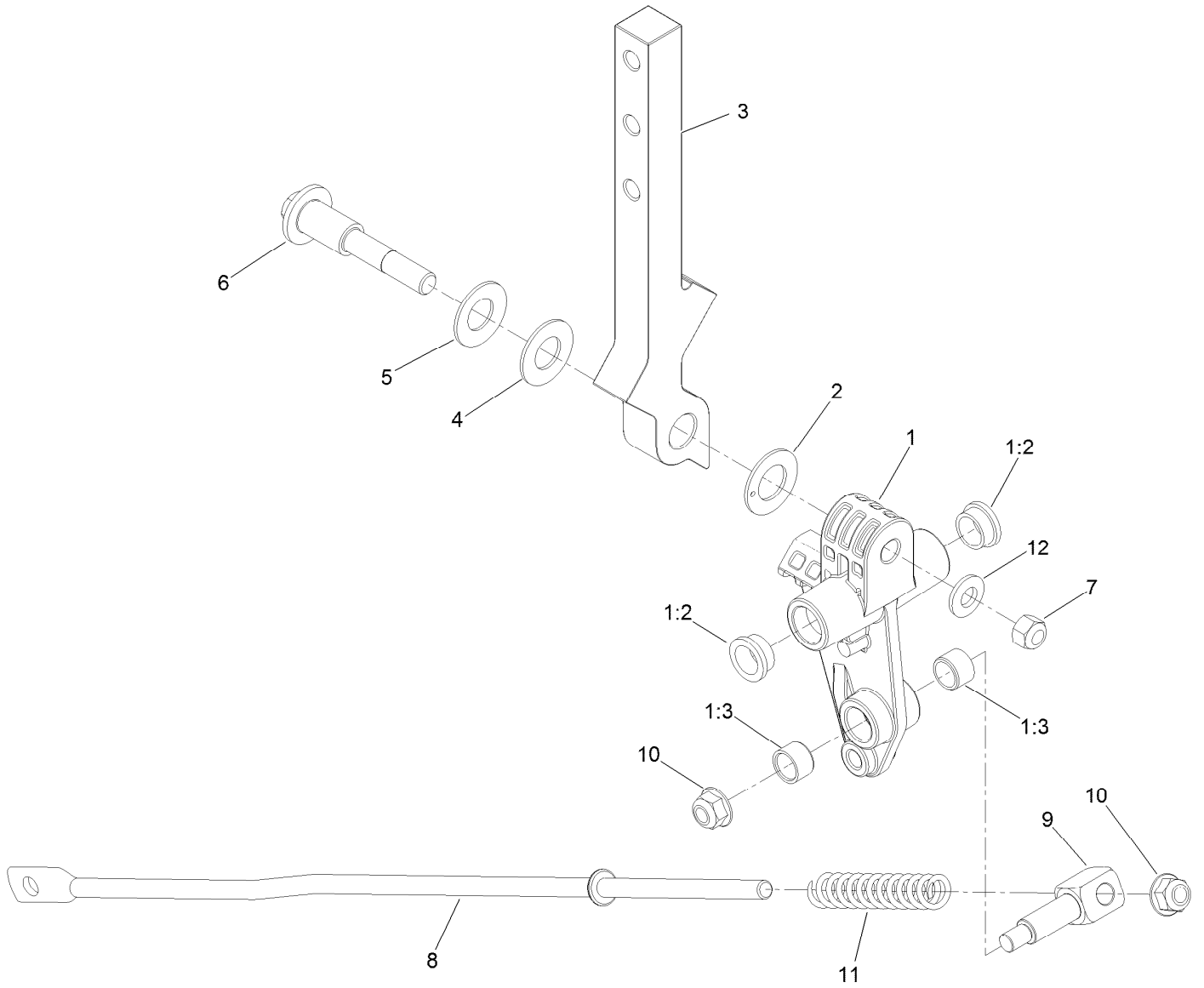


Motion Control Assembly (continued)

<i>Ref.</i>	<i>Part Number</i>	<i>Qty.</i>	<i>Description</i>	<i>Ref.</i>	<i>Part Number</i>	<i>Qty.</i>	<i>Description</i>
1	104-8300	4	Nut-HF, NI	20:2	126-7359	1	Grip
2	104-8301	2	Nut-HF, NI	21	126-7217	2	Linkage-Brake, Lower
3	107-1045	1	Spring-Extension	22		1	LH Motion Control ASM ●
4	109-6658	1	Nut-Flange, NI	23		1	RH Motion Control ASM ●
5	109-7694	2	Spring-Compression	24	1-303105	1	Yoke-Adjustable
6	112-3306	2	Nut	26	1-808280	1	Pin-Clevis
7	115-5099	2	Bolt-Pivot	27	32120-47	1	Ring-Retaining, External
8	119-1415	4	Pin-Cotter, Locking	28	3234-42	4	Screw-HHF
11	126-4299	2	Screw-HSBH	29	37-8771	2	Bolt-Shoulder, HF
12	142-6851	2	Damper	30	126-8172	1	Decal-Brake Intl
13	126-4424	4	Screw-Shoulder	31	126-6266	2	Screw-Tph
14	126-5813	1	Shaft-Brake	32	126-5820	1	Bearing-Spherical
15	126-5819	1	Linkage-Brake, Upper	34	126-9152	1	Bracket-Brake
17	126-9490	1	Lever-Brake (With Grip)	35	126-9151	1	Bushing
18	126-6456	1	Bracket-Brake	36	126-8220	1	Spring-Wave
18:2	126-5820	1	Bearing-Spherical	37	3234-19	1	Screw-HHF
19	138-6015	1	RH Extended Control Handle ASM	39	2844	1	Washer
19:2	126-7359	1	Grip	40	3218-3	2	Nut-Jam
20	138-6017	1	LH Extended Control Handle ASM				

● Not serviced separately

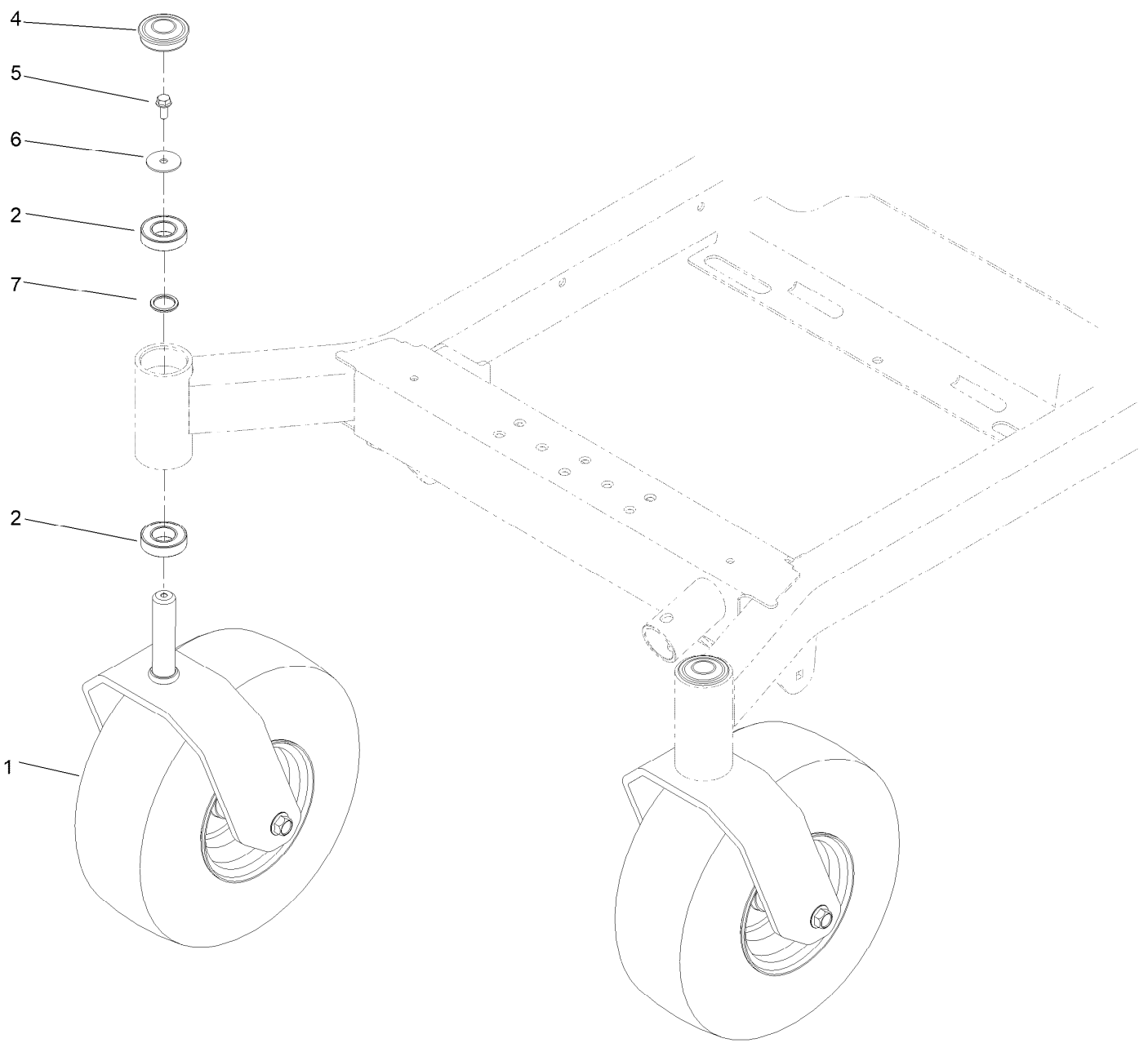
LH and RH Motion Control Assembly



LH and RH Motion Control Assembly (continued)

<i>Ref.</i>	<i>Part Number</i>	<i>Qty.</i>	<i>Description</i>	<i>Ref.</i>	<i>Part Number</i>	<i>Qty.</i>	<i>Description</i>
1	126-3773	1	Control Arm ASM	6	117-1198	1	Bolt-Pivot
1:2	126-8909	2	Bushing	7	32152-2	1	Nut-Lock, Cone
1:3	1-413152	2	Bushing-Sleeve	8	126-5435	1	Link-Control
2	126-7296	1	Washer-Friction	9	126-5434	1	Swivel
3	126-8182	1	Arm-Control	10	104-8300	2	Nut-HF, NI
4	117-1240	1	Washer	11	126-8195	1	Spring-Return, Neutral
5	119-8925	1	Washer-Belleville	12	3256-24	1	Washer-Plain

Caster Assembly

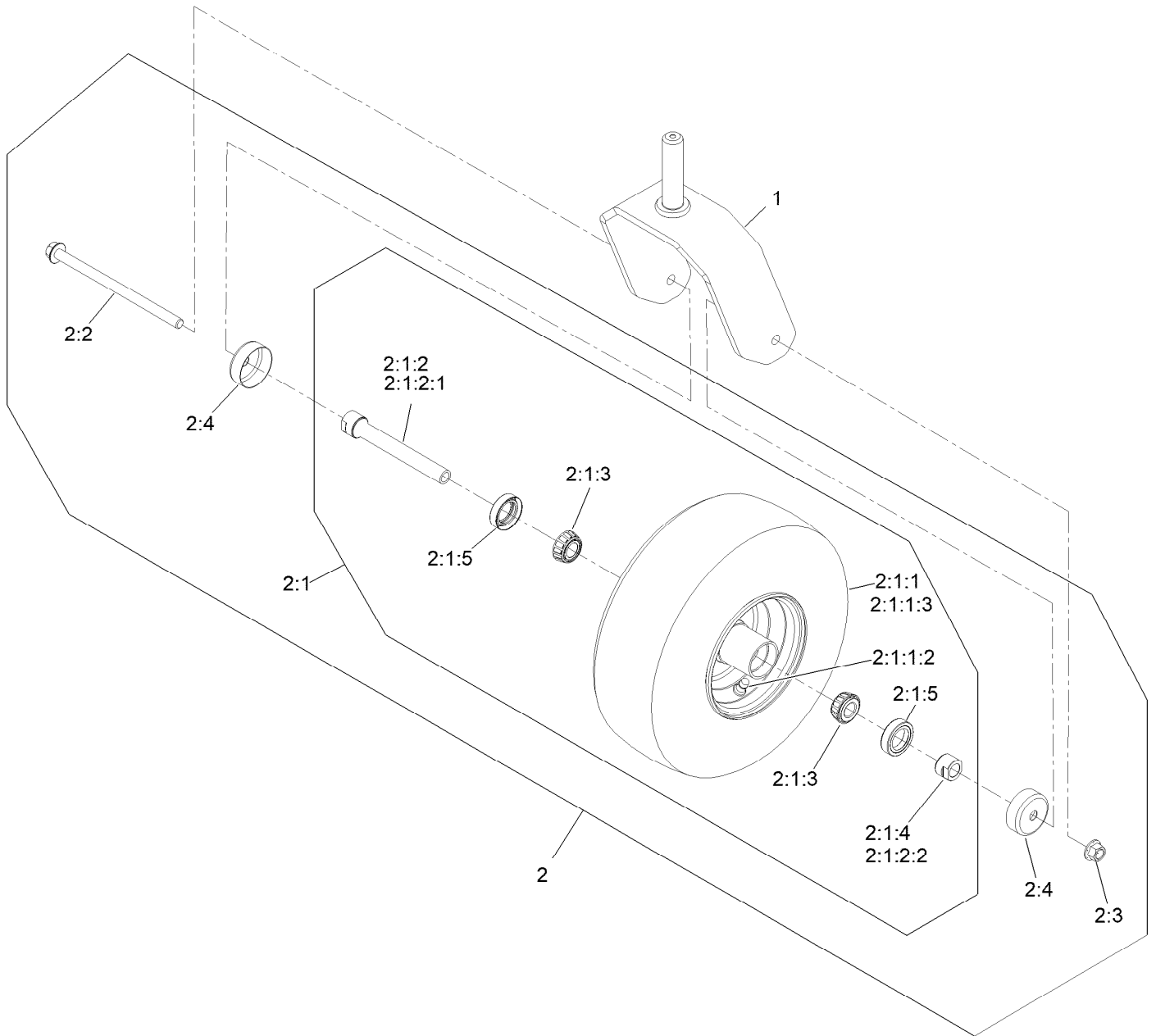


Caster Assembly (continued)

<i>Ref.</i>	<i>Part Number</i>	<i>Qty.</i>	<i>Description</i>	<i>Ref.</i>	<i>Part Number</i>	<i>Qty.</i>	<i>Description</i>
1		2	ASM, Front Caster W/ Fork ●	5	100-1668	2	Screw-HHF
2	109-3678	4	Bearing-Ball	6	3256-68	2	Washer-Flat
4	144-0375	2	Cap, Grease	7	145-3660	2	Spacer-Bearing

● Not serviced separately

Fork and Caster Assembly

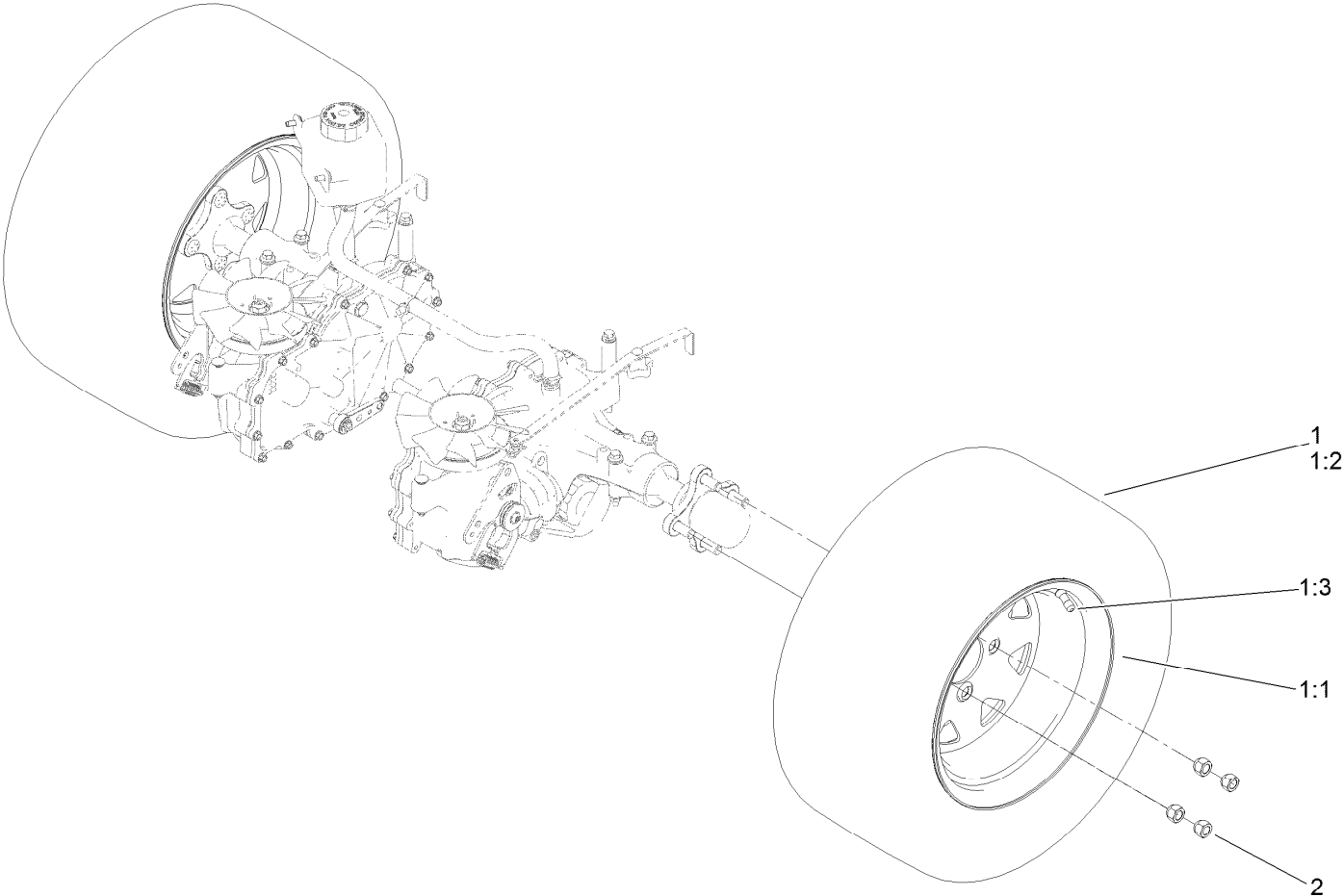


Fork and Caster Assembly (continued)

<i>Ref.</i>	<i>Part Number</i>	<i>Qty.</i>	<i>Description</i>	<i>Ref.</i>	<i>Part Number</i>	<i>Qty.</i>	<i>Description</i>
1	142-7827-01	1	Fork-Caster	2:1:2:1	126-5220	1	Axle-Caster
2	139-3639	1	ASM-Pneumatic 13X6.50-6	2:1:2:2	103-3051	1	Spacer-Nut
2:1		1	Wheel And Bearings ASM ●	2:1:3	1-633585	2	Bearing-Cone, Taper
2:1:1		1	Wheel And Tire ASM 13X6.5-6 ●	2:1:4	103-3051	1	Spacer-Nut
2:1:1:2	5108	1	Valve	2:1:5	103-0063	2	Seal-Caster
2:1:1:3	126-5959	1	Tire	2:2	126-5389	1	Screw-HHF
2:1:2	126-7796	1	Caster Axle ASM	2:3	99-5107	1	Nut-Lock
				2:4	103-2768	2	Guard-Seal

● Not serviced separately

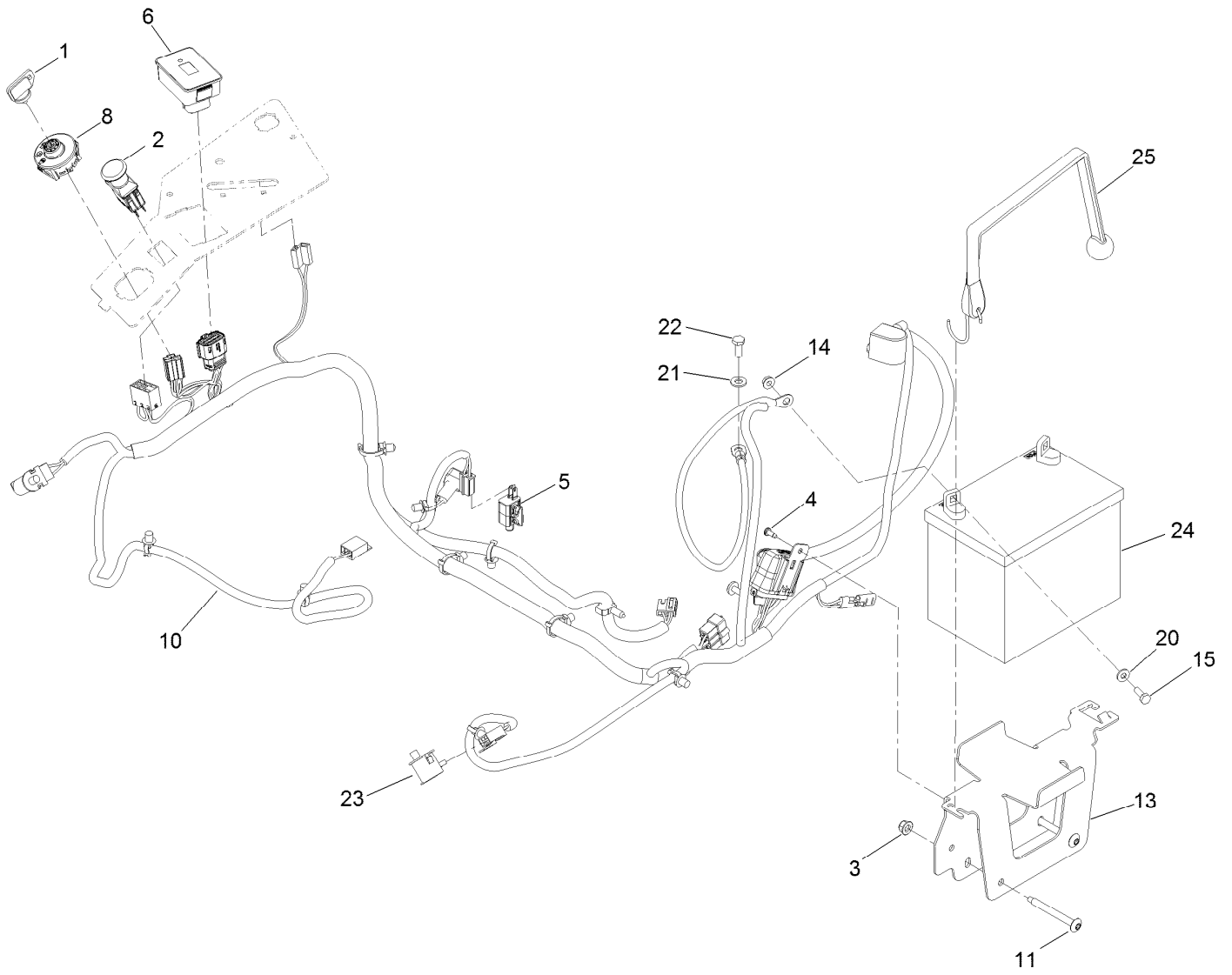
Rear Wheel Assembly



Rear Wheel Assembly (continued)

<i>Ref.</i>	<i>Part Number</i>	<i>Qty.</i>	<i>Description</i>	<i>Ref.</i>	<i>Part Number</i>	<i>Qty.</i>	<i>Description</i>
1	140-7963	2	Wheel And Tire ASM	1:3	232-27	1	Stem-Valve
1:1	140-7966	1	Wheel	2	242-50	8	Nut-Lug
1:2	142-4282	1	Tire				

Electrical Assembly



Electrical Assembly (continued)

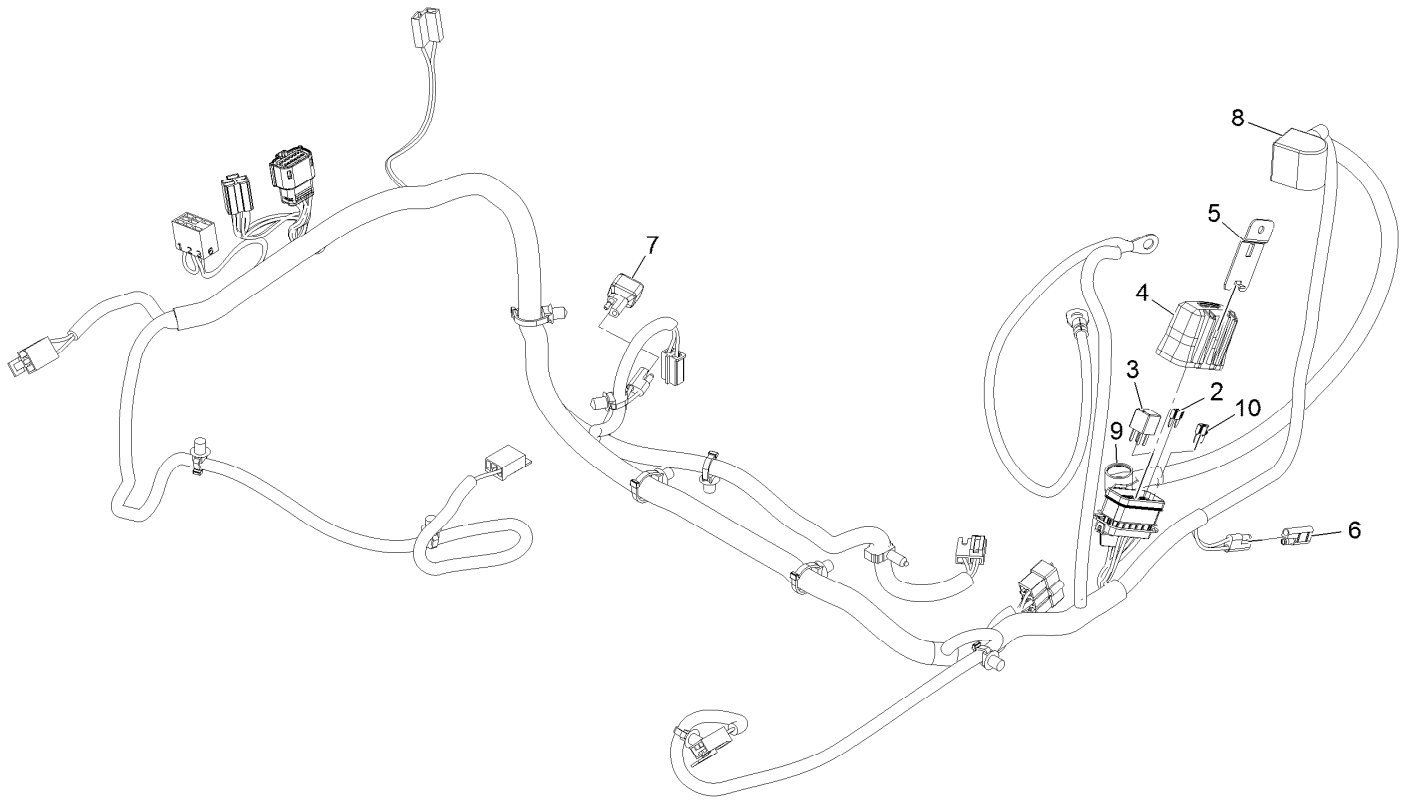
<i>Ref.</i>	<i>Part Number</i>	<i>Qty.</i>	<i>Description</i>	<i>Ref.</i>	<i>Part Number</i>	<i>Qty.</i>	<i>Description</i>
1	63-8360	1	Key-Ignition	14	32128-33	2	Nut-HF
2	103-5221	1	Switch-PTO	15	321-4	2	Screw-HH
3	104-8300	2	Nut-HF, NI	20	3256-22	2	Washer-Flat
4	105-6849	1	Screw-Forming, Thread	21	33094-00	1	Washer-Plain
5	110-6765	1	Switch	22	33114-020	1	Screw-HH
6	116-5609	1	Module ASM	23	82-2190	2	Switch-Bail
8	137-4100	1	Switch-Ignition	24		1	Battery - Wet (300 CCA, 12 V) ●■
10	126-5803	1	Harness-Wire ▲				
11	126-6267	2	Screw-TTH	25	142-8697	1	Strap, Bungee
13	126-6725-03	1	Tray-Battery				

● Obtain locally.

■ Not serviced separately

▲ Use dielectric grease on all unsealed connectors and terminals only. Do not apply in sealed connectors.

Harness Assembly No. 126-5803

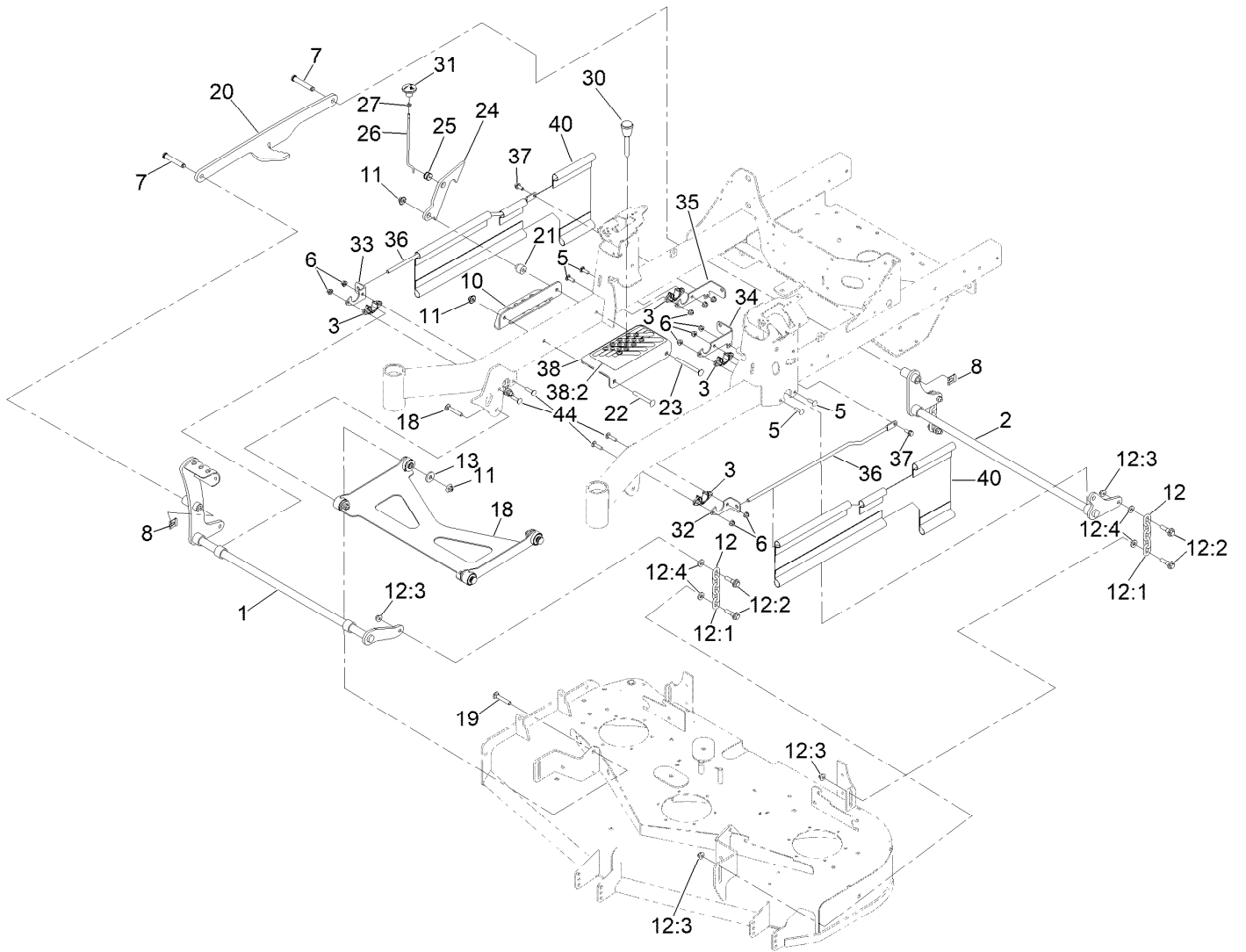


Harness Assembly No. 126-5803 (continued)

<i>Ref.</i>	<i>Part Number</i>	<i>Qty.</i>	<i>Description</i>
2	121-8868	1	Fuse-Mini Blade, 20 Amp
3	126-3991	1	Relay-Micro
4	32180-176	1	Cover-Block, Fuse
5	32180-177	1	Clip-Mounting
6	116-0053	1	Cap-Plug

<i>Ref.</i>	<i>Part Number</i>	<i>Qty.</i>	<i>Description</i>
7	103-3895	1	Diode
8	126-8876	1	Insulator-Battery
9	1-543393	1	Insulator-Solenoid
10	121-8867	1	Fuse-Mini Blade, 15 Amp

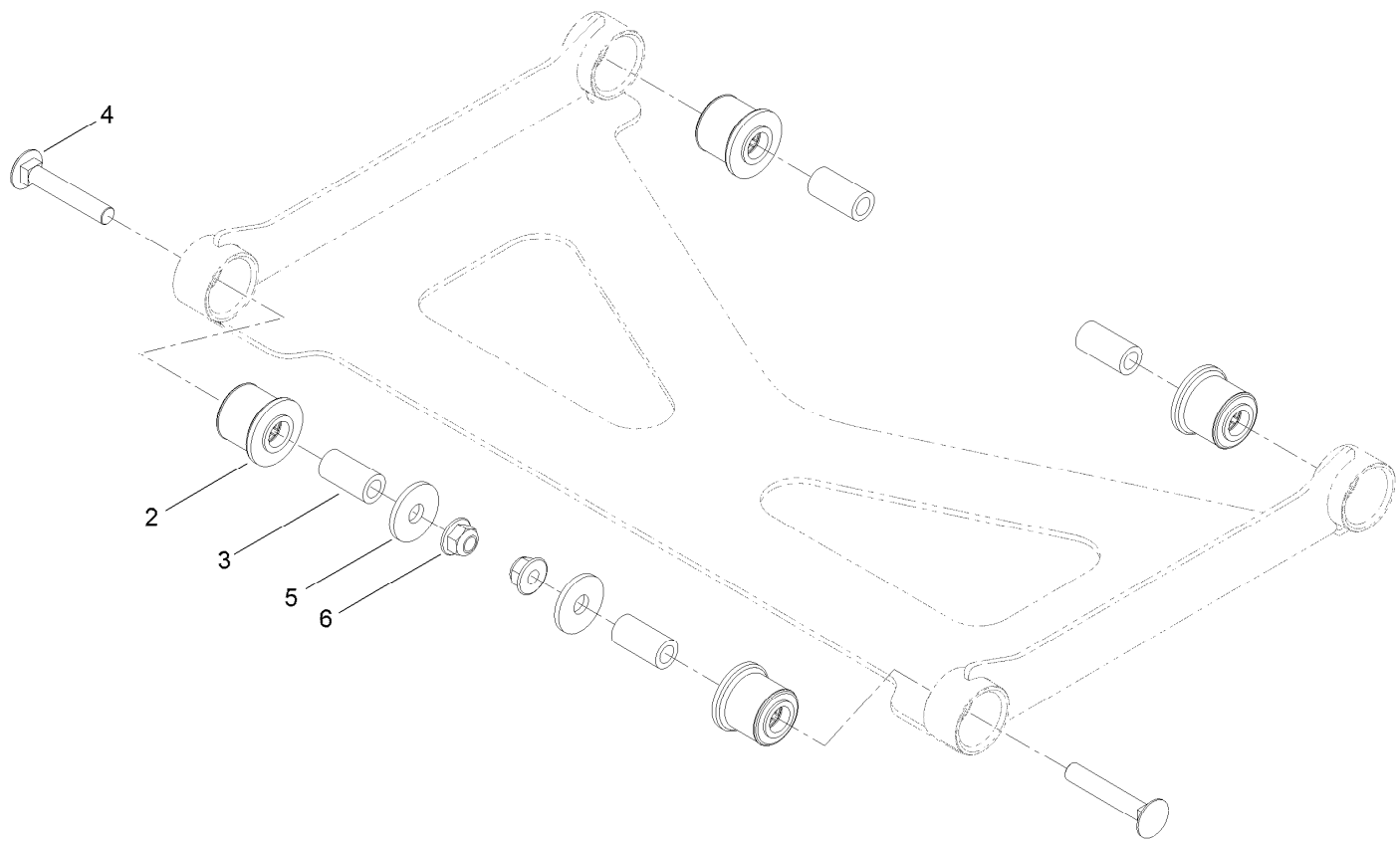
Deck Lift Assembly



Deck Lift Assembly (continued)

<i>Ref.</i>	<i>Part Number</i>	<i>Qty.</i>	<i>Description</i>	<i>Ref.</i>	<i>Part Number</i>	<i>Qty.</i>	<i>Description</i>
1	126-3342-03	1	Shaft-Lift, Deck	23	135-0313	1	Screw-CARR
2	126-3343-03	1	Shaft-Lift, Deck (Rear)	24	126-5222	1	Plate-Lock, Transport
3	139-5872	4	Bearing-Flange	25	126-5593	1	Grommet
5	3230-22	4	Screw-CARR	26	126-5223	1	Rod-Lock, Transport
6	104-8300	10	Nut-HF, NI	27	3218-1	1	Nut-Jam
7	126-9181	2	Pin-Clevis	30	126-5401	1	Pin-HOC
8	138-8491	2	Clip-Pin	31	126-7019	1	Knob
10	126-4640-03	1	Angle-HOC, Lower	32	126-7763	1	Bracket-Mount, Front (LH)
11	109-6658	4	Nut-Flange, NI	33	126-7810	1	Bracket-Mount, Front (RH)
12	126-8877	4	Deck Chain ASM	34	126-7765	1	Bracket-Mount, Upper Rear (LH)
12:1	1-633447	1	Chain-Lift, Deck	35	126-7812	1	Bracket-Mount, Upper Rear (RH)
12:2	130-0742	2	Bolt-Shoulder	36	126-7760	2	Rod-Support, Upper
12:3	104-8301	2	Nut-HF, NI	37	3234-47	2	Screw-HHF
12:4	43-0940	2	Spacer	38	126-8146	1	HOC Plate W/Decal
13	1-373034	2	Washer	38:2	126-7816	1	Decal-HOC
18	126-8365	1	Deck Strut ASM	40	126-8561	2	Guard-Side
19	3231-7	2	Screw-CARR	44	3230-3	4	Screw-CARR
20	126-4639-03	1	Link-HOC				
21	126-5221	1	Spacer-Stepped				
22	3231-42	1	Screw-CARR				

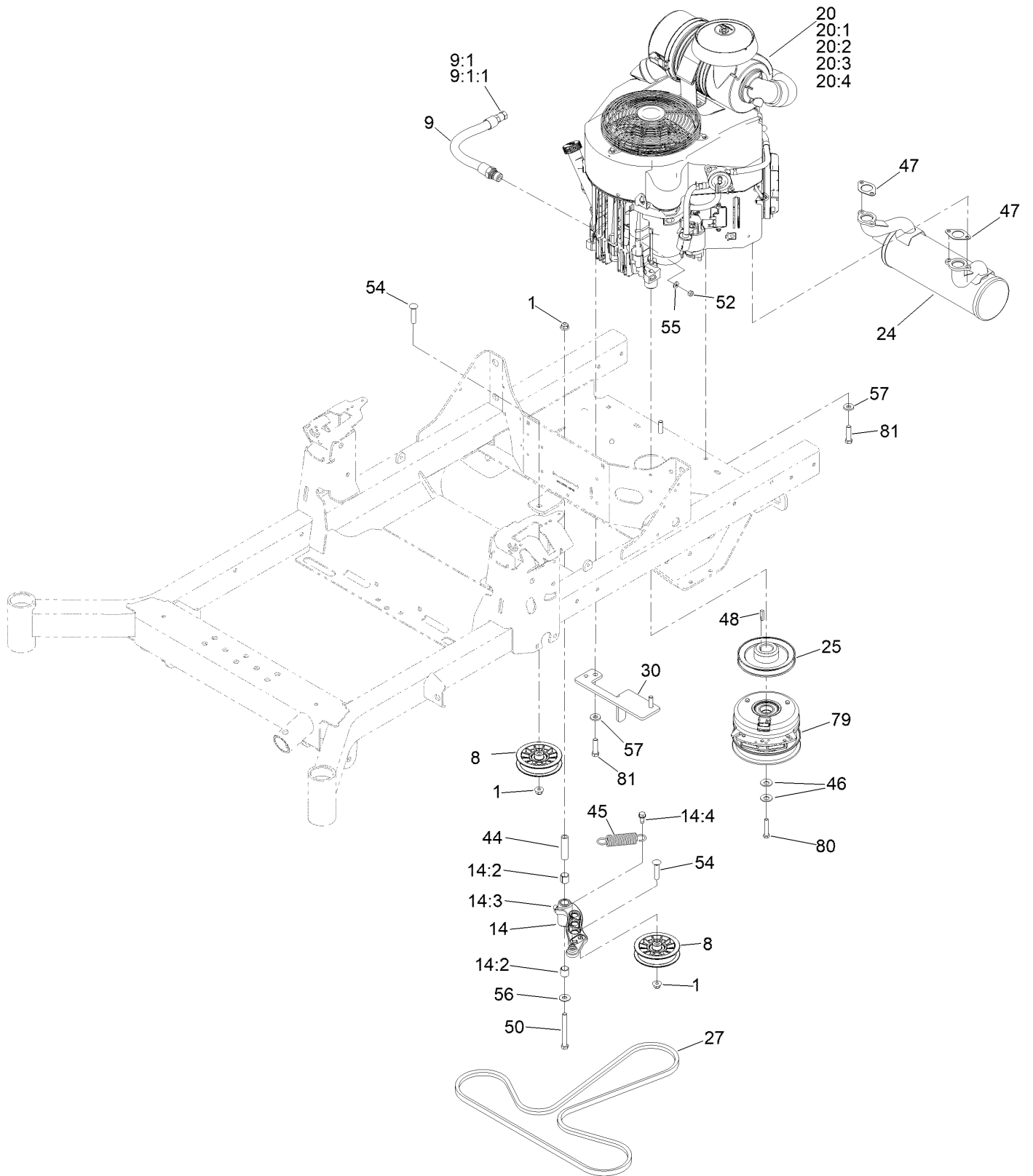
Deck Strut Assembly No. 126-8365



Deck Strut Assembly No. 126-8365 (continued)

<i>Ref.</i>	<i>Part Number</i>	<i>Qty.</i>	<i>Description</i>	<i>Ref.</i>	<i>Part Number</i>	<i>Qty.</i>	<i>Description</i>
2	126-8360	4	Bushing-Rubber, Suspension	4	3231-7	2	Screw-CARR
3	108-6544	4	Spacer	5	2844	2	Washer
				6	104-8301	2	Nut-HF, NI

Engine, Clutch and Muffler Assembly



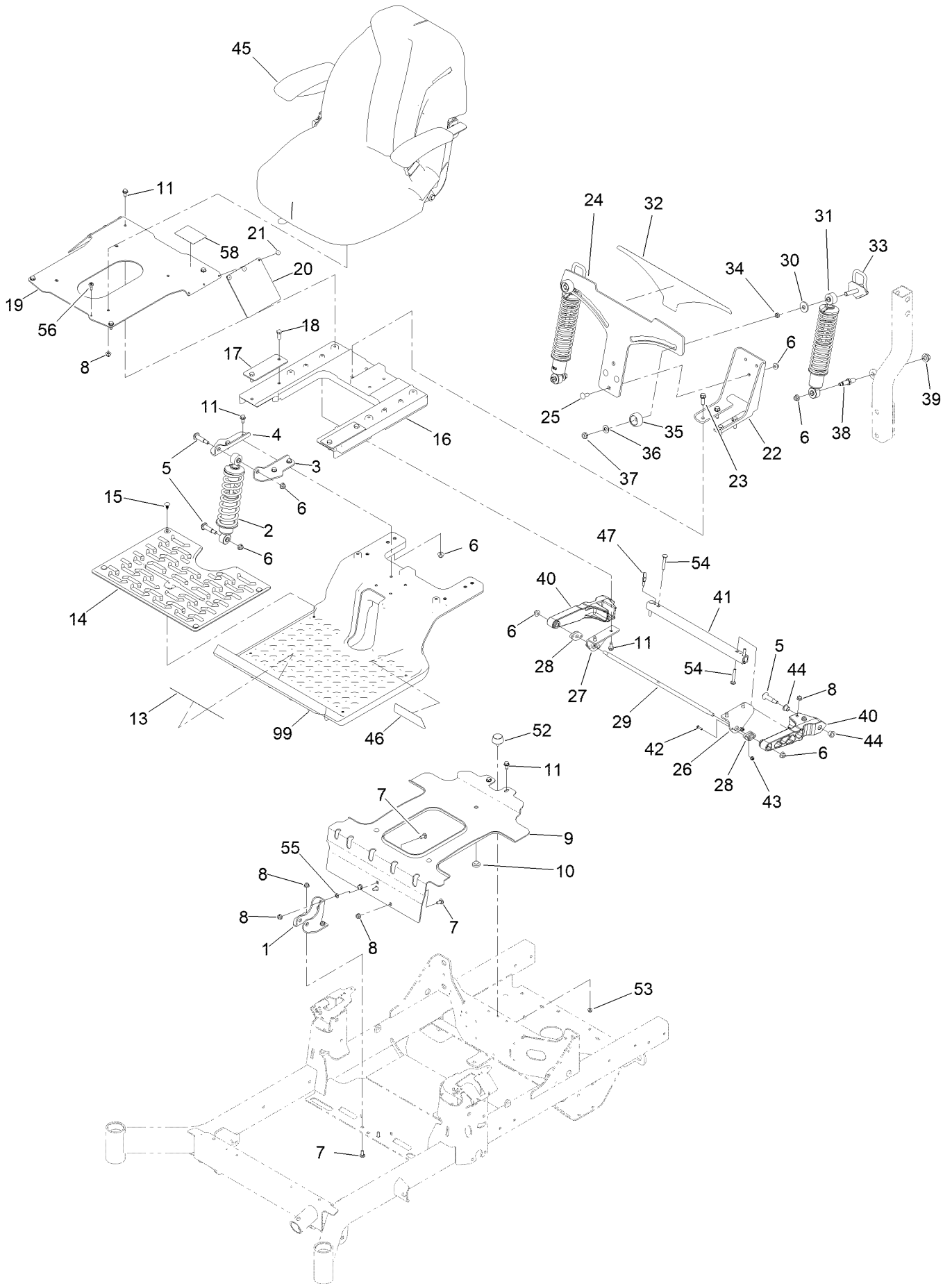
Engine, Clutch and Muffler Assembly (continued)

<i>Ref.</i>	<i>Part Number</i>	<i>Qty.</i>	<i>Description</i>	<i>Ref.</i>	<i>Part Number</i>	<i>Qty.</i>	<i>Description</i>
1	104-8301	3	Nut-HF, NI	24	126-4360	1	Muffler
8	116-2456	2	Pulley-Flat Idler	25	126-5358	1	Sheave (W/Hub)
9	116-4924	1	Engine Oil Drain Hose ASM	27	126-5993	1	Belt-V
9:1	353-508	1	Plug-HH ●	30	126-6687-03	1	Anchor-Clutch
9:1:1	237-42	1	O-Ring	44	1-603384	1	Bushing-Pivot, Idler
14	126-0973	1	Idler Arm ASM	45	1-603402	1	Spring-Extension
14:2	1-513034	2	Sleeve-Bearing	46	1-603610	2	Washer-Spring
14:3	302-40	1	Fitting-Grease, 90 DEG	47	1-653313	2	Gasket-Exhaust
14:4	32144-11	1	Screw-HWH	48	1-807259	1	Key
20		1	Engine-Kawasaki, Fx730V ▲◆	50	323-15	1	Screw-HH
20:1		1	Kawasaki 49065-7007 Engine Oil Filter ▲◆	52	3217-5	1	Nut-Hex
20:2		1	Kawasaki 49019-7005 Fuel Filter ▲◆	54	3231-29	2	Screw-CARR
20:3		1	Kawasaki 11013-7045 Safety Filter ▲◆	55	3256-22	1	Washer-Flat
20:4		1	Kawasaki 11013-7044 Engine Air Filter ▲◆	56	3256-4	1	Washer-Flat
				57	98-5975	4	Washer-Belleville
				79	140-5456	1	Clutch-PTO
				80	3212-10	1	Screw-HH
				81	323-7	4	Screw-HH

● Torque to 24-26 ft-lb
▲ Not serviced separately

■ Torque to 23-29 ft-lb
◆ Obtain parts from www.kawpower.com

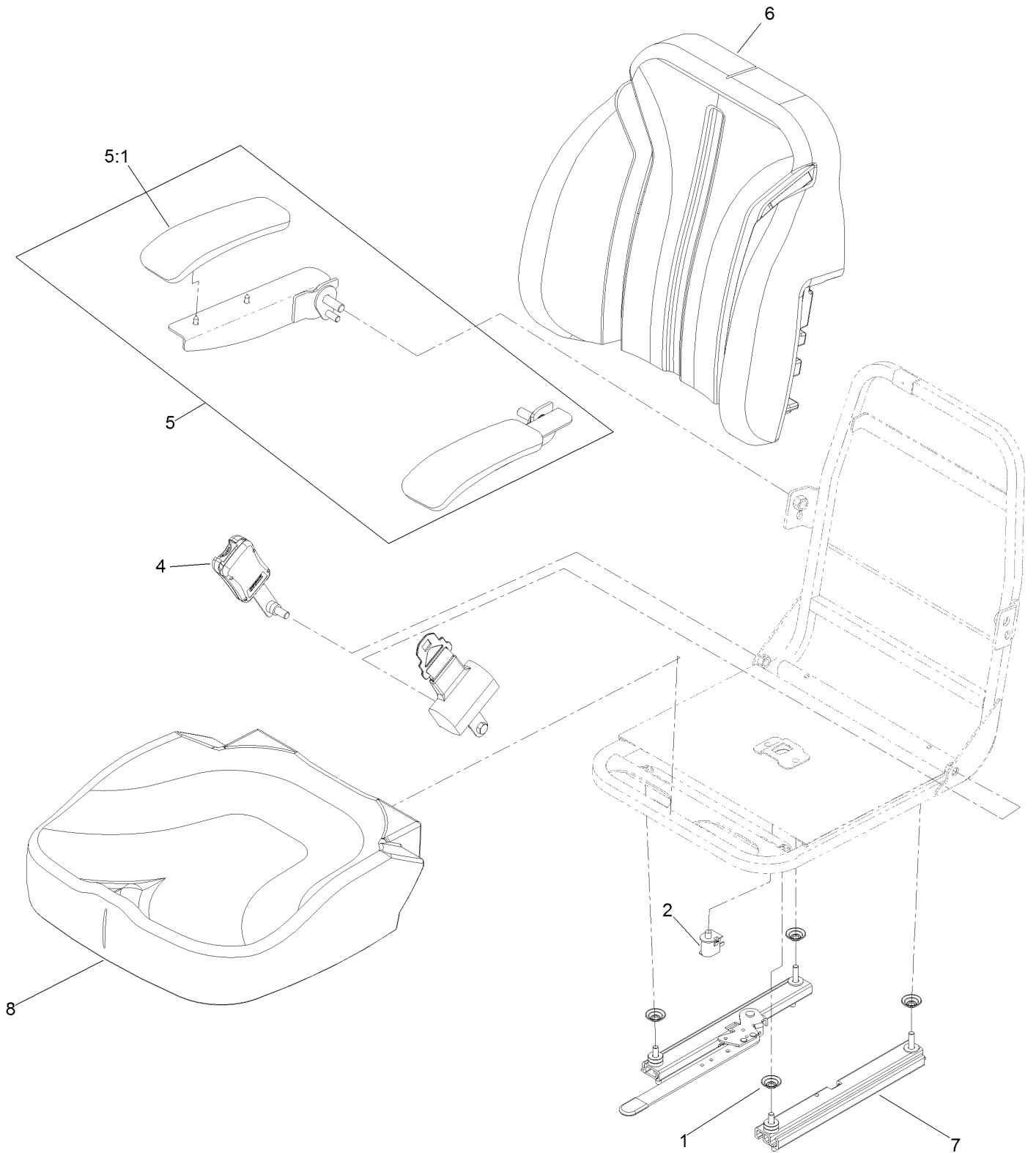
Suspension Platform and Seat Assembly



Suspension Platform and Seat Assembly (continued)

<i>Ref.</i>	<i>Part Number</i>	<i>Qty.</i>	<i>Description</i>	<i>Ref.</i>	<i>Part Number</i>	<i>Qty.</i>	<i>Description</i>
1	133-1864-03	1	Bracket-Shock, Front Lower	28	127-0146	2	Bearing-Flange
2	136-8971	1	Shock/Spring	29	136-1739	1	Rod-Pivot
3	133-9318-03	1	Bracket-Shock Mount, Upper (LH)	30	131-4699	2	Washer-Plastic
4	133-9319-03	1	Bracket-Shock Mount, Upper (RH)	31	133-5193	2	Shock/Spring ASM
5	136-9028	4	Bolt-Shoulder, HWH	32	136-1720	1	Decal-Myride
6	104-8301	13	Nut-HF, NI	33	136-9017	2	Cam Lock ASM
7	3230-23	6	Bolt-CARR	34	133-5109	2	Bearing-Sleeve
8	104-8300	14	Nut-HF, NI	35	136-5636	2	Knob-Lock, Cam
9	136-8963-03	1	Bracket-Tank	36	3-6803	2	Washer-Adjusting
10	135-0505	3	Bumper-Seat	37	3296-45	2	Nut-Hex
11	32144-70	14	Screw-HWHTF	38	133-4401	2	Bolt-Shoulder
13	132-0871	1	Decal-Danger	39	99-5107	2	Nut-Lock
14	144-2634	1	Floor Mat	40	136-8979	2	Trailing Arm
15	117-2382	4	Plug-Plastic	41	137-9754-03	1	Tube-Arm, Trailing
16	137-7031	1	Subframe-Rear	42	3229-20	4	Screw-CARR
17	133-7089-03	2	Plate-Backer	43	120-4578	4	Nut-HF
18	323-6	4	Screw-HH	44	125-5239	4	Bushing-Flange
19	136-8962-03	1	Plate-Seat	45	144-3771	1	Seat-Fixed Toro
20	136-8967	2	Flap-Rubber	46	136-7470	1	Decal
21	132-5064	6	Rivet-Pop	47	105-1853	1	Clamp-Hose
22	136-8955-03	1	Bracket-Mount, Lower	52	131-8834	1	Bumper
23	32144-109	4	Screw-Thd	53	104-7201	1	Nut-HF, NI
24	136-1744-03	1	Plate-Mounting, Adj Shock	54	3230-6	4	Bolt-CARR
25	3231-22	3	Screw-CARR	55	117-2749	2	Nut-Push
26	136-1741-03	1	Bracket-Arm, Trailing (LH)	56	135-2015	1	Screw-Shoulder
27	136-1742-03	1	Bracket-Arm, Trailing (RH)	58	136-9024	1	Decal-Aid, Service
				99	147-1654	1	Subframe-Front
				99	147-1655	1	Subframe-Front Red

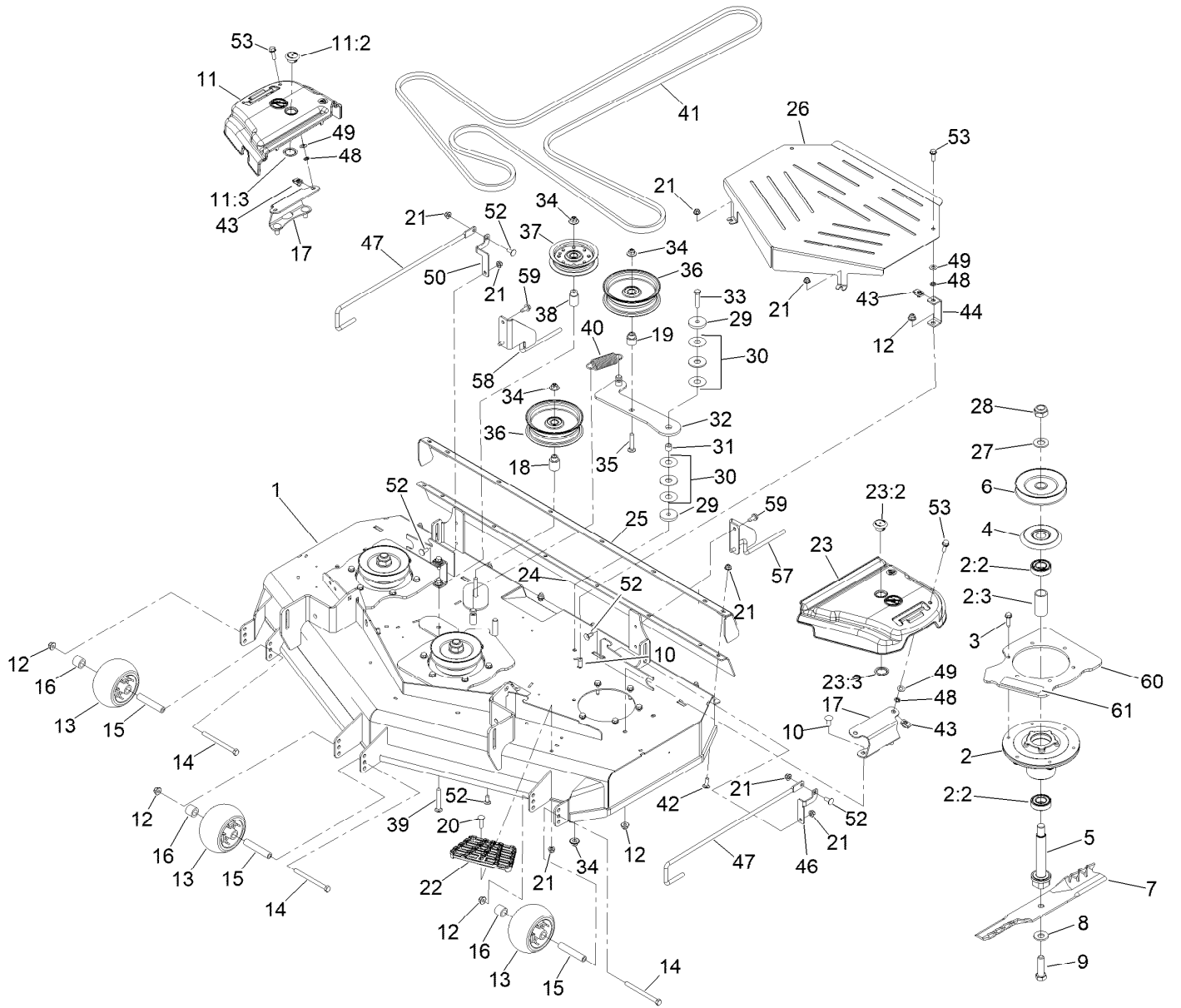
Seat Assembly No. 144-3771



Seat Assembly No. 144-3771 (continued)

<i>Ref.</i>	<i>Part Number</i>	<i>Qty.</i>	<i>Description</i>	<i>Ref.</i>	<i>Part Number</i>	<i>Qty.</i>	<i>Description</i>
1	136-9002	4	Spacer-Mounting	5:1	110-4163	2	Cushion-Rest, Arm
2	82-2190	1	Switch-Bail	6	144-3772	1	Cover-Back, Toro Seat
4	126-9091	1	Seat Belt Kit	7	126-2177	1	Track-Seat
5	126-2058	1	Armrest Kit	8	144-3773	1	Cover-Bottom, Toro Seat

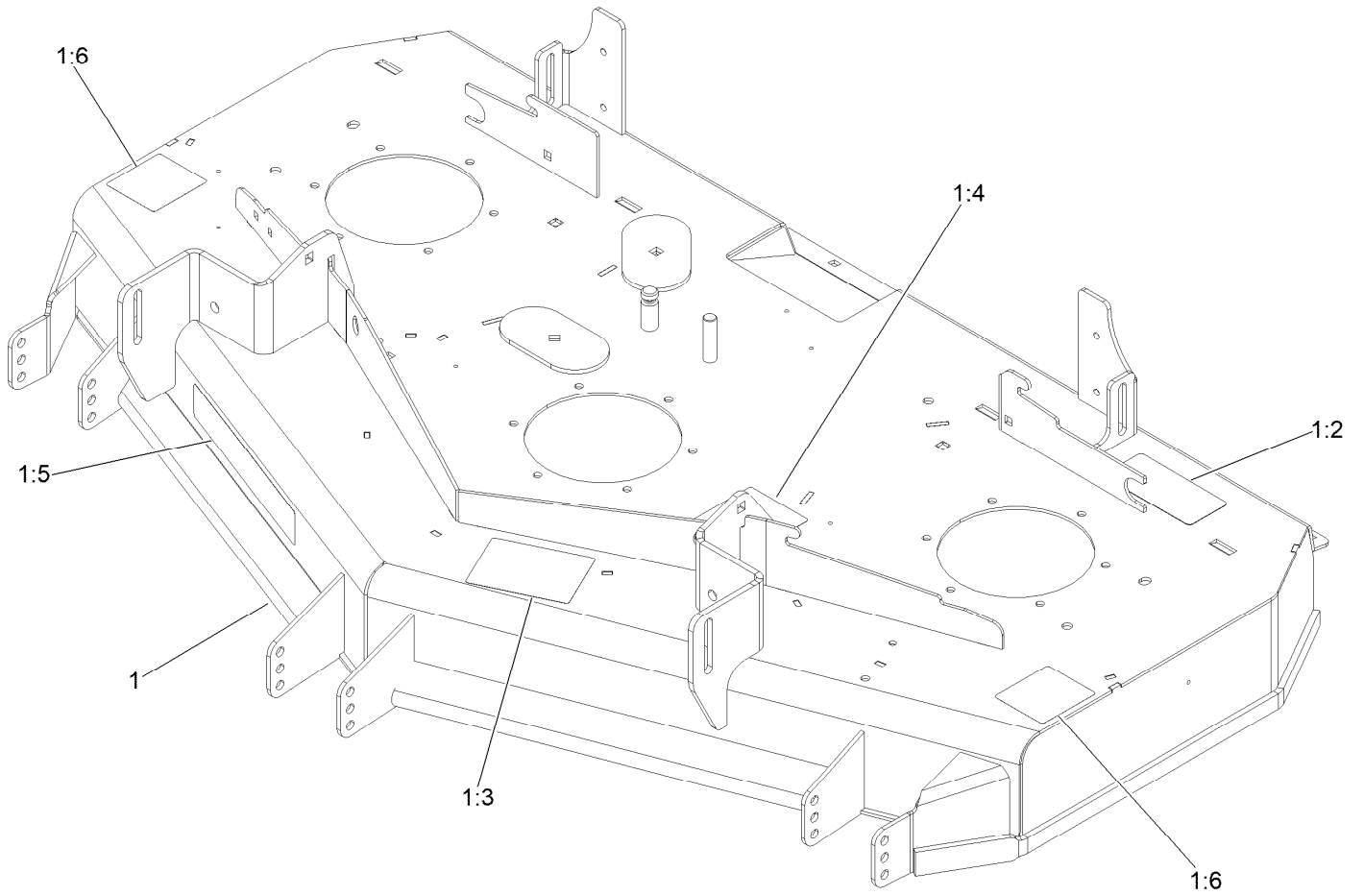
Deck Assembly



Deck Assembly (continued)

<i>Ref.</i>	<i>Part Number</i>	<i>Qty.</i>	<i>Description</i>	<i>Ref.</i>	<i>Part Number</i>	<i>Qty.</i>	<i>Description</i>
1	134-4546	1	48 Deck ASM (Service)	26	134-5091-03	1	Guard-Center Belt 48 (Rd)
2	139-2357	3	Spindle ASM	27	92-5836	3	Washer
2:2	116-0720	2	Bearing-Ball	28	3296-67	3	Nut-Lock, NI
2:3	138-7220	1	Spacer-Bearing	29	110-9981	2	Washer-Plain
3	32144-49	18	Screw-HWHTF	30	114-0463	2	Washer-Friction, Composite
4	117-7210	3	Shield-Bearing	31	1-413088	1	Bushing-Lever, Lift
5	126-7629	3	Shaft-Spindle	32	115-5054	1	Arm-Idler
6	117-7326	3	Pulley	33	323-9	1	Screw-HH
7	133-2160	3	Blade-Rotary, Atomic 16.5	34	109-6658	4	Nut-Flange, NI
8	125-1736	3	Washer-Belleville	35	3231-6	1	Screw-CARR
9	51-4060	3	Screw-Blade	36	116-4669	2	Idler-Pulley, Flat
10	3231-27	6	Screw-CARR	37	116-3626	1	Pulley-Idler
11	126-9325	1	RH Belt Cover ASM	38	1-413113	1	Bushing-Idler
11:2	126-9323	1	Plug	39	3231-31	2	Screw-CARR
11:3	126-9324	1	Ring-Retaining	40	139-3616	1	Spring - Extension
12	104-8301	9	Nut-HF, NI	41	126-7731	1	Belt, Deck Drive
13	1-603299	3	Roller-Scalp, Anti	42	3230-10	8	Bolt-CARR
14	323-23	3	Screw-HH	43	94-2413	4	Nut-U
15	98-7912	3	Tube-Spanner	44	126-9646	2	Bracket-Guard
16	98-7913	3	Tube-Spacer	46	126-7761	1	Bracket-Mount, Rear (LH)
17	126-9121-01	2	Bracket-Cover, Belt	47	126-7759	2	Rod-Support, Lower
18	126-7683	1	Bushing-Idler	48	117-2749	4	Nut-Push
19	126-7684	1	Bushing-Idler	49	73-0041	4	Washer-Thrust
20	3230-3	1	Screw-CARR	50	126-7762	1	Bracket-Mount, Rear (RH)
21	104-8300	15	Nut-HF, NI	52	3230-23	6	Bolt-CARR
22	126-4781-03	1	Step-Deck	53	3234-29	4	Screw-HHF
23	126-9326	1	LH Belt Cover ASM	57	126-7776	1	Support-Lower, LH
23:2	126-9323	1	Plug	58	126-7777	1	Support-Lower, RH
23:3	126-9324	1	Ring-Retaining	59	32144-70	4	Screw-HWHTF
24	134-2542	1	Deflector	60	134-6068	1	Support, Spindle [service]
25	134-3728-01	1	Bracket-Deflector	61	112-9028	2	Decal-Cover, Missing

Deck Decal Assembly No. 134-4546



Deck Decal Assembly No. 134-4546 (continued)

<i>Ref.</i>	<i>Part Number</i>	<i>Qty.</i>	<i>Description</i>	<i>Ref.</i>	<i>Part Number</i>	<i>Qty.</i>	<i>Description</i>
1		1	Deck ASM ●	1:5	107-1690	1	Decal
1:2	93-7818	1	Decal-Torque, Blade Bolt	1:6	135-0664	2	Decal-Danger, Thrown Object
1:3	112-3858	1	Decal-Scalp, Anti				
1:4	117-1194	1	Decal-Routing, Belt				

● Not serviced separately

Attachments and Accessories

For 74456TE 2000 Series HDX RD 122cm Riding Mower

Product Name	Model/Part
Hypr-Oil 500 (quart)	114-4713
Hypr-Oil 500 (gallon).....	114-4714
Hypr-Oil 500-5 (5 gallon).....	114-4715
Toro Hydro Kit	121-3783
Port-Power, 12v	126-6499
Sunshade Kit	126-8077
Cover-Hitch.....	126-8299
Trash Container Kit.....	126-8379
Weight Caster Kit.....	126-8639
Jack Kit.....	127-6666
Engine Maintenance Kit-Kawasaki FX.....	133-1307
Blade-Rotary, 16.5in (Hi Flow)	133-2137
Blade-Rotary, Atomic 16.5	133-2160
Blade-Rotary, Recycling 16.5in.....	133-2163
Blade (6 Pack) 16.5in Hi Flow	133-2176
Blade (6 Pack) 16.5in Recycle	133-2179
Blade (6 Pack) 16.5in Atomic.....	133-2182
5 Gallon Bucket	133-2533
Recycler Kit - Titan 48 Rd	134-4277
ROPS Pin Kit	136-1683
HD Shock and Spring Kit	137-2042
Spark Arrestor, 1.25 I.D.	137-8098
Semi Pneumatic Wheel and Tire Assembly, 13x6.50-6	140-4896
Tilt Sensor-Radius	142-2802
Kit-Light (mid-mount ZRT Mower).....	144-1992
Hardtop Sun Canopy	144-3719
Handle Extension Kit	145-3615
Bucket Mount Kit.....	145-3687
Universal Mount Kit.....	145-3688
Trimmer Mount Kit	145-3689
Kit-Titan Hd Triple Threat Attachment.....	145-3691
Toro Deluxe Rider Cover.....	490-7319

Notes:

Notes:

Notes:



Count on it.