



**Count on it.**

**Parts Catalog**

**TITAN® HD 2000 Series Riding  
Mower**

**with 60in Rear-Discharge Deck**

**Model No. 74463—Serial No. 403351024 and Up**



# Ordering Replacement Parts

To order replacement parts, please supply the part number, the quantity, and the description of each part desired.

## Understanding Reference Numbers

Each identified part in an illustration has a reference number. The reference number for a part also appears in the parts list, along with other information about the part.

This catalog uses two special reference number formats, one to indicate parts in a service assembly and another to indicate the quantity of a given part in an illustration.

## Service Assembly Reference Numbers

Parts in service assemblies have reference numbers in the form a:b. The a represents the reference number of the entire service assembly and the b represents a sequential number unique to each part within the service assembly.

For example, a wheel assembly might be identified by reference number 6, the tire by 6:1, the valve by 6:2, and the wheel by 6:3. When you order the assembly identified by reference number 6, you receive all parts identified by reference numbers 6:1, 6:2, and 6:3. However, you may also order any part individually. Reference numbers of this type appear in illustration and in parts lists.

## Reference Numbers Indicating Quantity

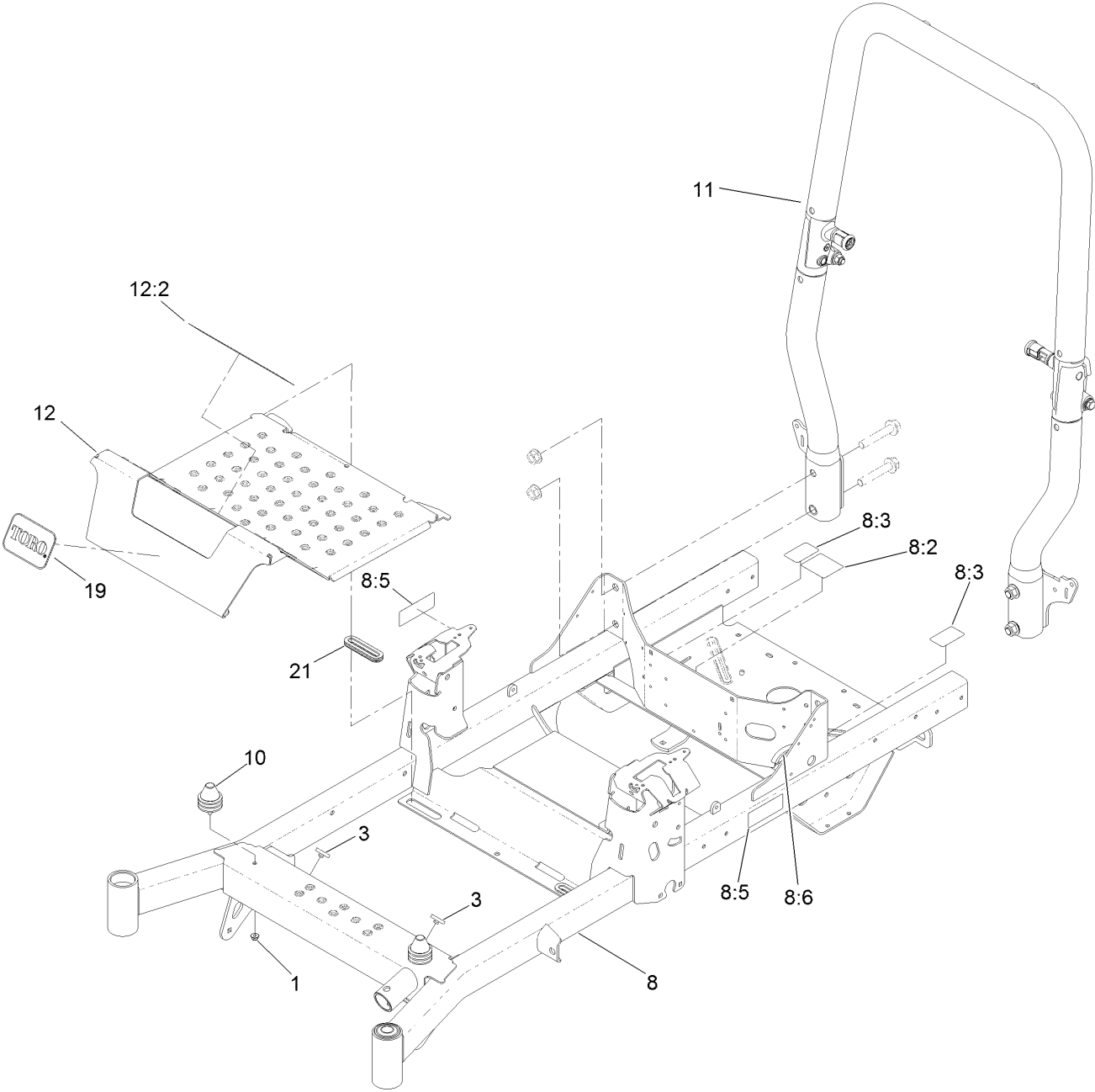
In an illustration, if a reference number indicates more than one part, the reference number has the form nX y. The n represents the quantity of the part, the X is the multiplication symbol, and the y represents the reference number.

For example, in an illustration, the reference number 2X 37 means that two of the parts identified by reference number 37 are indicated.

# Contents

Frame and Roll-Over Protection System Assembly .....	4
Roll-Over Protection System Assembly No. 126-9526.....	6
Hydraulic Assembly .....	8
LH Transaxle Assembly No. 126-2883 .....	10
RH Transaxle Assembly No. 126-2884 .....	12
Discharge Tunnel Assembly No. 126-1985 .....	14
Control Console and Guard Assembly .....	16
Fuel Tank and Vent Hose System Assembly .....	18
Fuel Tank Assembly No. 126-4724 .....	20
Seat Mount Assembly .....	22
Seat Pan and Latch Assembly No. 126-7309 .....	24
Seat Assembly No. 136-9014 .....	26
Motion Control Assembly .....	28
LH and RH Motion Control Assembly .....	30
Caster Wheel and Fork Assembly .....	32
Fork and Caster Wheel Assembly .....	34
Wheel and Tire Assembly No. 126-7592 .....	36
Rear Wheel Assembly .....	38
Electrical System Assembly .....	40
Wire Harness Assembly No. 126-5803.....	42
Deck Lift Assembly.....	44
Deck Strut Assembly No. 126-8365 .....	46
Engine, Clutch and Muffler Assembly .....	48
Deck Assembly .....	50
Deck Decal Assembly No. 126-8924 .....	52
Idler Assembly No. 126-0853.....	54
Idler Arm Assembly No. 126-0976 .....	56
Attachments and Accessories .....	58

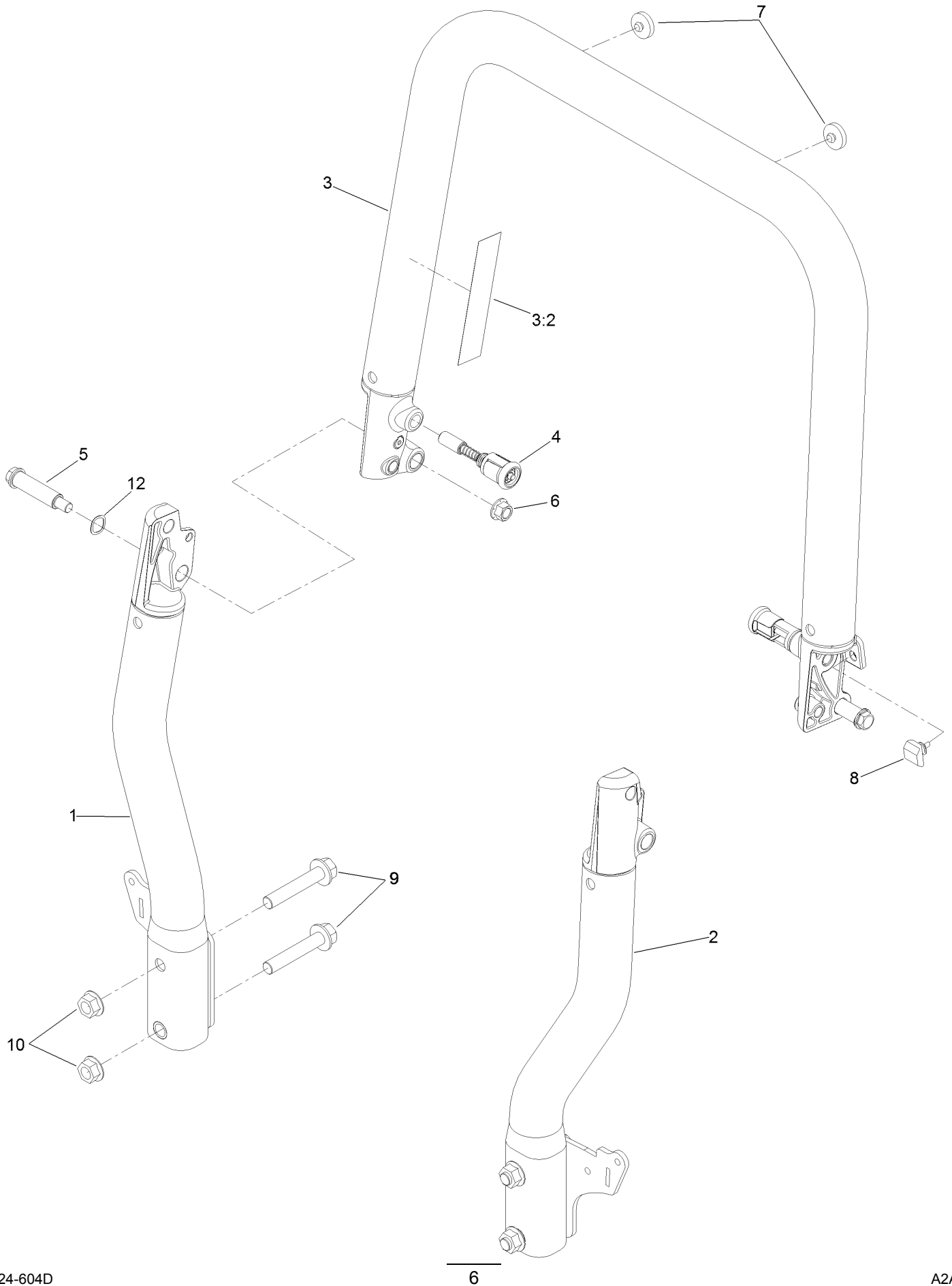
# Frame and Roll-Over Protection System Assembly



# Frame and Roll-Over Protection System Assembly (continued)

<i>Ref.</i>	<i>Part Number</i>	<i>Qty.</i>	<i>Description</i>	<i>Ref.</i>	<i>Part Number</i>	<i>Qty.</i>	<i>Description</i>
1	104-8300	2	Nut-HF, NI	10	126-5491	2	Isolator
3	109-9233	2	Bumper-Push-In, Rubber	11	126-9526	1	ROPS ASM
8	126-4712	1	Frame ASM	12	126-5872	1	Pan-Floor
8:2	109-6014	1	Decal-Routing, Belt	12:2	126-8383	1	Decal-Danger
8:3	116-8588	2	Decal-Release, Drive	19	67-1300	1	Decal
8:5	126-4363	2	Decal-Warning	21	126-7065	2	Grommet-Rubber
8:6	127-6618	1	Strip-Seal				

# Roll-Over Protection System Assembly No. 126-9526

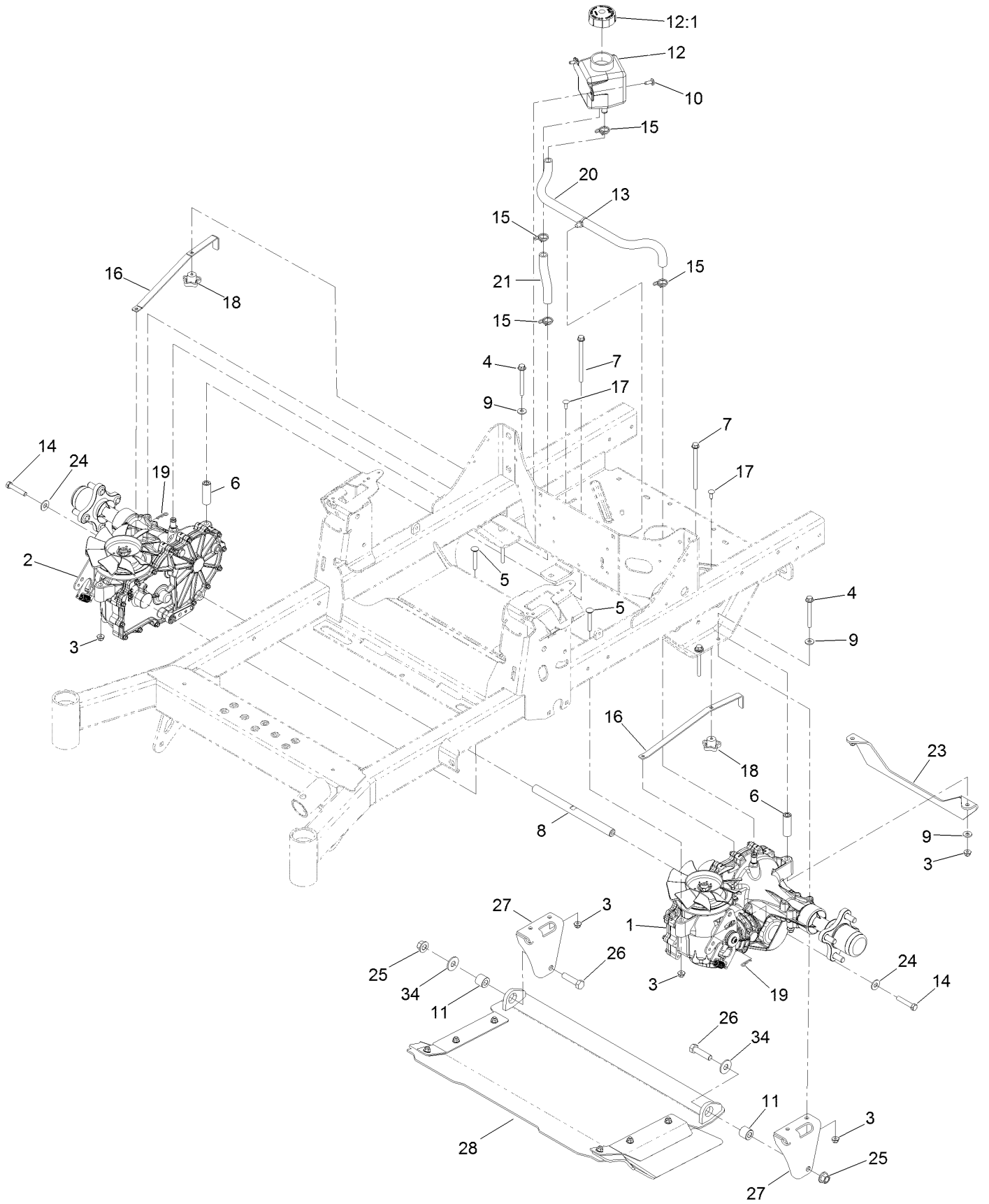


# Roll-Over Protection System Assembly No. 126-9526 (continued)

<i>Ref.</i>	<i>Part Number</i>	<i>Qty.</i>	<i>Description</i>	<i>Ref.</i>	<i>Part Number</i>	<i>Qty.</i>	<i>Description</i>
1		1	Tube-Upright, RH ●	6	99-5107	2	Nut-Lock
2		1	Tube-Upright, LH ●	7	135-0504	2	Bumper-ROPS
3		1	Top Tube ASM ●	8	126-9966	2	Bumper-ROPS
3:2	107-3069	1	Decal-Warning	9	126-9488	4	Screw-HHF
4	116-0104	2	Pin-Spring	10	32128-50	4	Nut-Flange
5	126-9209	2	Bolt-Shoulder	12	119-4164	2	Washer-Wave

● Not serviced separately

# Hydraulic Assembly



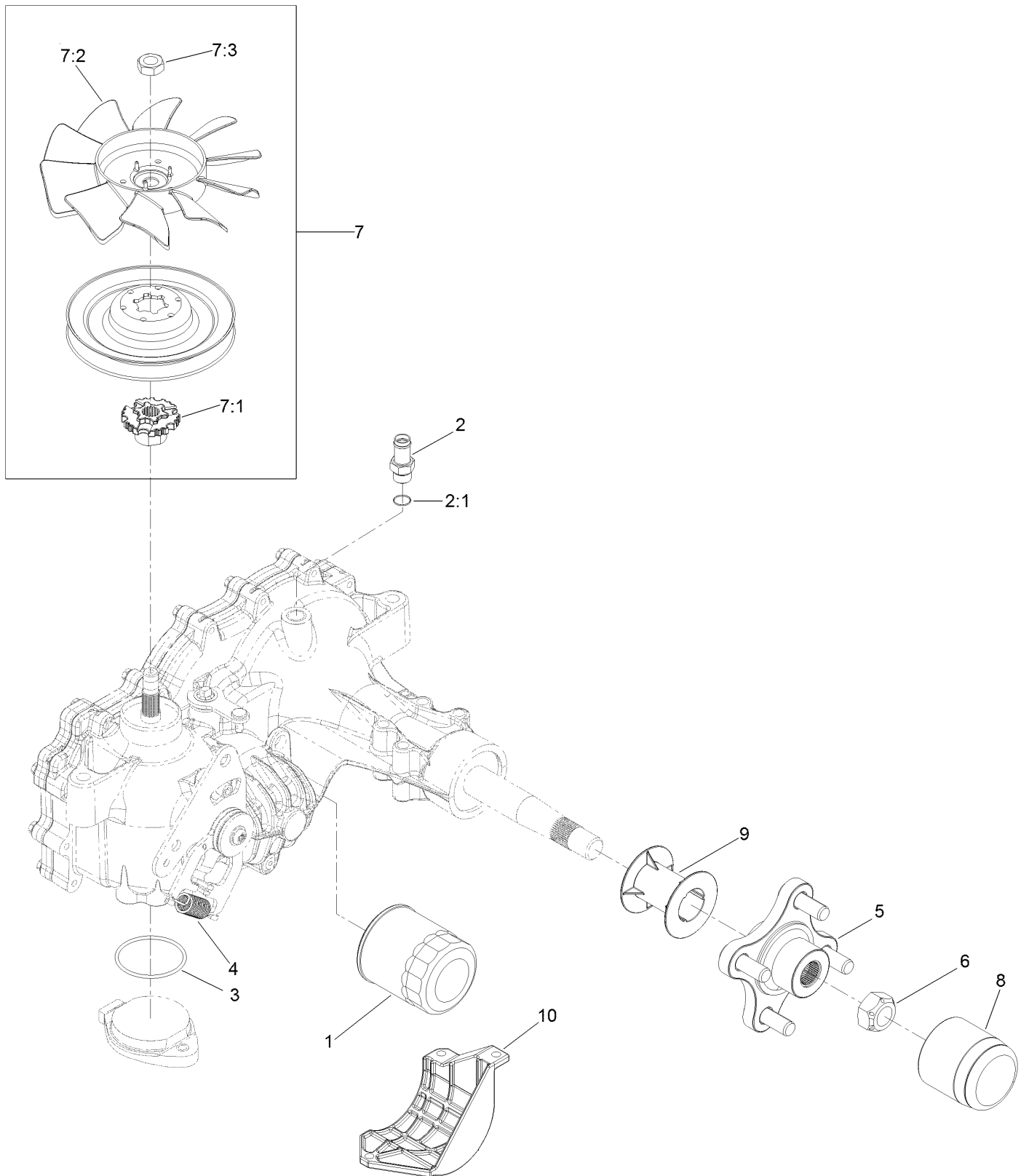


## Hydraulic Assembly (continued)

<i>Ref.</i>	<i>Part Number</i>	<i>Qty.</i>	<i>Description</i>	<i>Ref.</i>	<i>Part Number</i>	<i>Qty.</i>	<i>Description</i>
1	126-2883	1	LH Transaxle ASM	15	126-0327	4	Clamp-Hose
2	126-2884	1	RH Transaxle ASM	16	109-5395	2	Arm-Bypass, Hydro
3	104-8300	8	Nut-HF, NI	17	3229-1	2	Screw-CARR
4	126-4687	4	Screw-HHF	18	108-6402	2	Knob-Handle
5	3230-7	2	Bolt-CARR	19	1-806003	2	Pin-Cotter
6	116-5809	2	Spacer-Hydro	20	126-5668	1	Hose-Hydraulic
7	126-5896	2	Screw HHF	21	126-5669	1	Hose-Hydraulic
8	116-6833	1	Shaft-Spacer	23	126-5672-03	1	Support-Transmission
9	1-303334	6	Washer-Spring	24	3256-4	2	Washer-Flat
10	126-6266	2	Screw-Tph	25	99-5107	2	Nut-Lock
11	126-1705	2	Bushing-Sleeve	26	325-8	2	Screw-HH
12	109-2250	1	Tank-HYD	27	126-1988-03	2	Bracket-Mount, Discharge
12:1	109-3320	1	Cap-Reservoir, HYD	28	126-1985	1	Discharge Tunnel ASM
13	32180-118	1	Clip-Tie	34	3256-6	2	Washer-Flat
14	94-7972	2	Screw-HH W/Loctite ●				

● Use Pro-Lock, Nut Type (P/N 1-840022, .5ml tube) on threads.

# LH Transaxle Assembly No. 126-2883

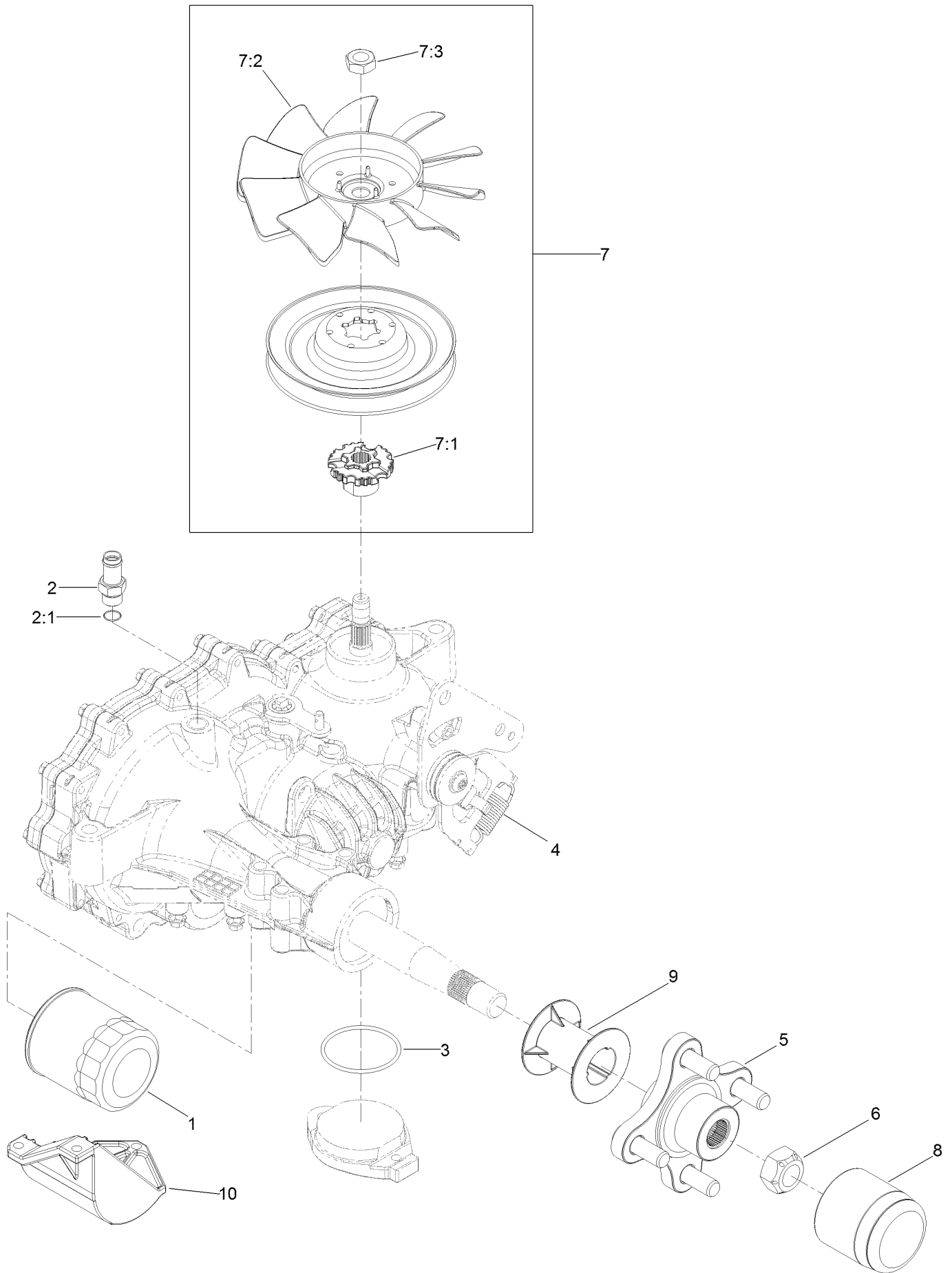


# LH Transaxle Assembly No. 126-2883 (continued)

<i>Ref.</i>	<i>Part Number</i>	<i>Qty.</i>	<i>Description</i>	<i>Ref.</i>	<i>Part Number</i>	<i>Qty.</i>	<i>Description</i>
1	109-3321	1	Element-Oil Filter, HYD	7:1	126-8905	1	Hub-Fan
2	109-3278	1	Adapter-Straight	7:2	126-0226	1	Fan
2:1	237-42	1	O-Ring	7:3	116-9714	1	Nut-HJ
3	109-3540	1	O Ring-Seal	8	116-6214	1	Cap-Axle, Long
4	109-5592	1	Spring-Extension	9	116-6213	1	Tube-Axle
5	116-3872	1	Hub-Offset	10	120-7979	1	Guard-Filter, LH
6	109-3536	1	Nut-Hub	99	135-3604	1	Brake Shaft Seal Kit ●
7	126-8904	1	Fan And Pulley Kit	99	121-3243	1	Seal Kit ●

● Not illustrated

# RH Transaxle Assembly No. 126-2884

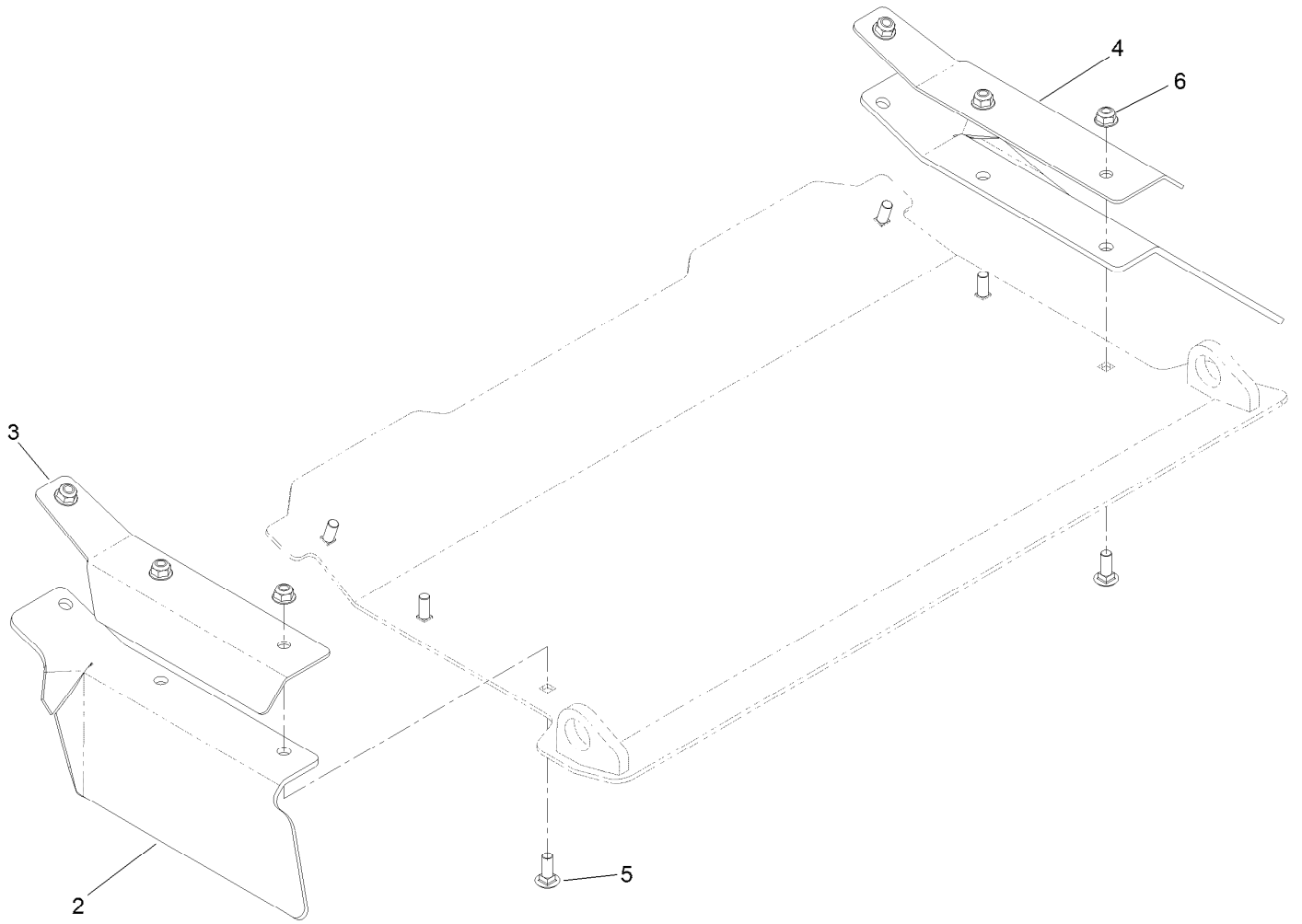


## RH Transaxle Assembly No. 126-2884 (continued)

<i>Ref.</i>	<i>Part Number</i>	<i>Qty.</i>	<i>Description</i>	<i>Ref.</i>	<i>Part Number</i>	<i>Qty.</i>	<i>Description</i>
1	109-3321	1	Element-Oil Filter, HYD	7:1	126-8905	1	Hub-Fan
2	109-3278	1	Adapter-Straight	7:2	126-0226	1	Fan
2:1	237-42	1	O-Ring	7:3	116-9714	1	Nut-HJ
3	109-3540	1	O Ring-Seal	8	116-6214	1	Cap-Axle, Long
4	109-5592	1	Spring-Extension	9	116-6213	1	Tube-Axle
5	116-3872	1	Hub-Offset	10	120-7981	1	Guard-Filter, RH
6	109-3536	1	Nut-Hub	11	121-3243	1	Seal Kit ●
7	126-8904	1	Fan And Pulley Kit	99	135-3604	1	Brake Shaft Seal Kit ●

● Not illustrated

# Discharge Tunnel Assembly No. 126-1985

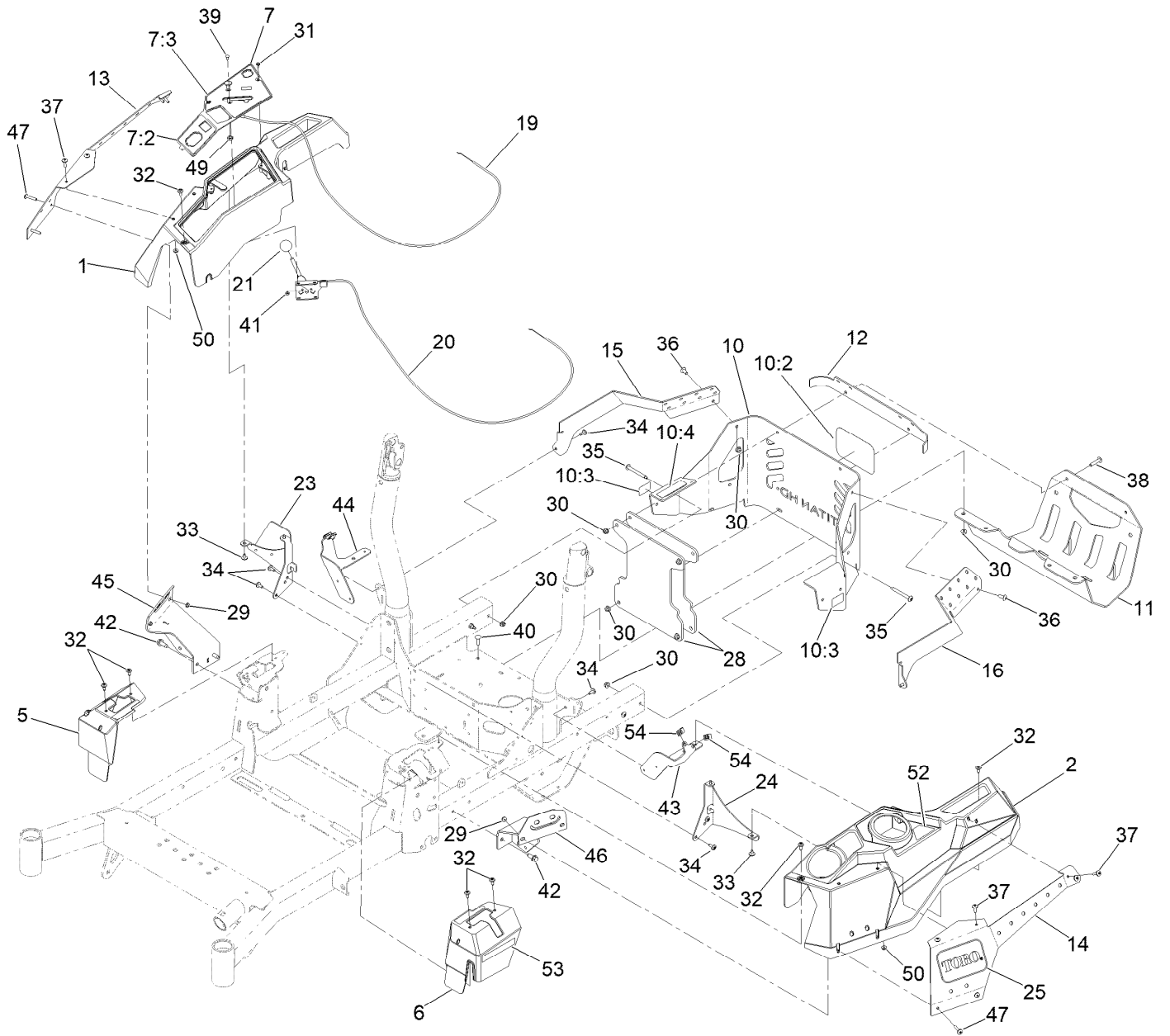


# Discharge Tunnel Assembly No. 126-1985 (continued)

<i>Ref.</i>	<i>Part Number</i>	<i>Qty.</i>	<i>Description</i>
2	125-9368	2	Flap-Rubber
3	125-9366-03	1	Bracket-Flap, LH
4	125-9367-03	1	Bracket-Flap, RH

<i>Ref.</i>	<i>Part Number</i>	<i>Qty.</i>	<i>Description</i>
5	3230-16	6	Screw-CARR
6	104-8300	6	Nut-HF, NI

# Control Console and Guard Assembly

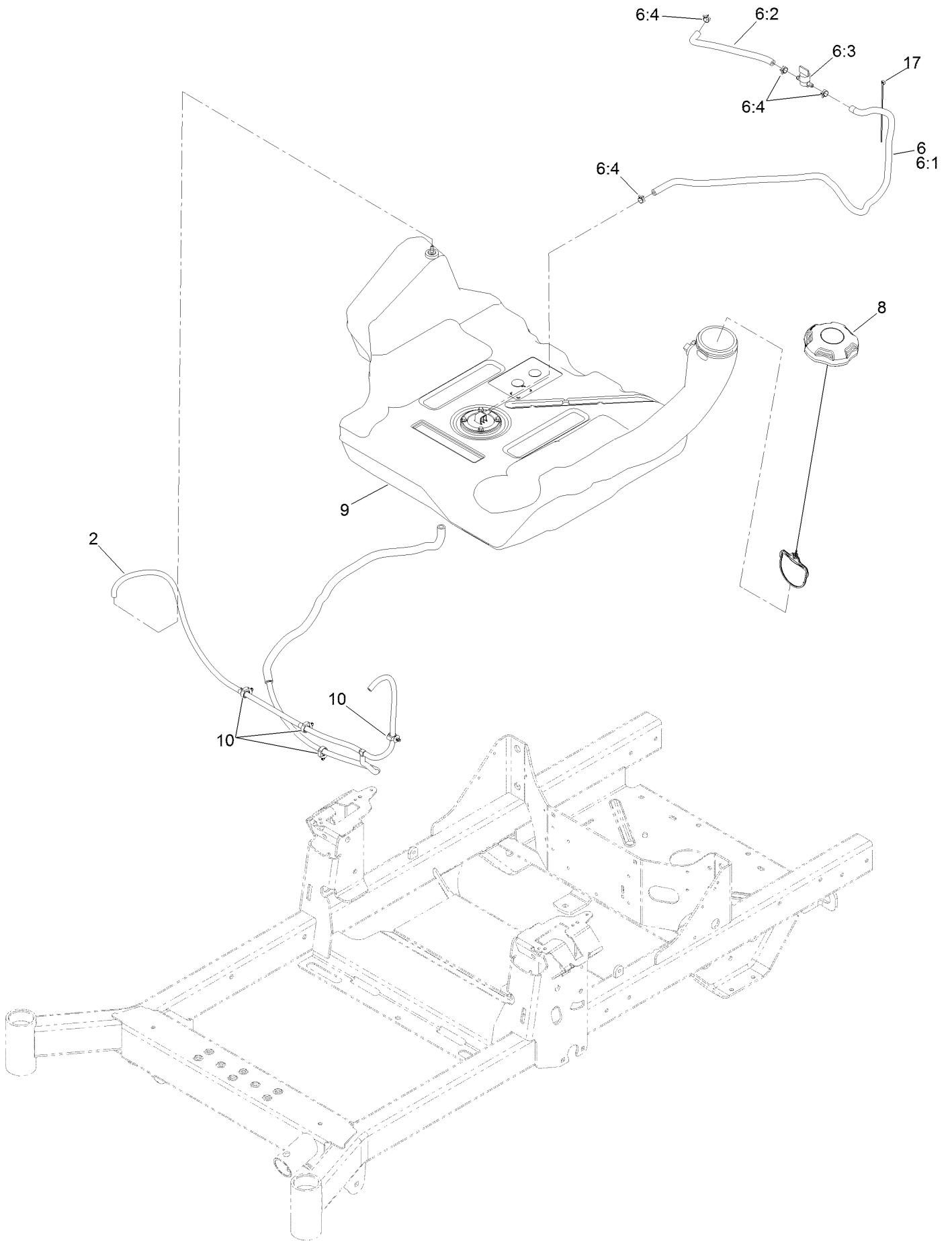




## Control Console and Guard Assembly (continued)

<i>Ref.</i>	<i>Part Number</i>	<i>Qty.</i>	<i>Description</i>	<i>Ref.</i>	<i>Part Number</i>	<i>Qty.</i>	<i>Description</i>
1	126-4983	1	Console-RH	29	104-7201	4	Nut-HF, NI
2	126-4984	1	Console-LH	30	104-8300	12	Nut-HF, NI
5	126-7371	1	Cover-Control, Motion (RH)	31	117-5036	2	Screw-Plastic, HWH
6	126-7372	1	Cover-Control, Motion (LH)	32	120-7950	6	Screw-Torx
7	136-1673	1	Control Panel ASM	33	126-5544	4	Screw-Torx
7:2	126-9115	1	Decal-Panel, Control	34	126-6266	8	Screw-Tph
7:3	136-1305	1	Decal-Panel, Control	35	126-6267	4	Screw-TTH
10	126-7803	1	Rear Guard ASM	36	126-6268	2	Screw-TTH
10:2	99-4693	1	Decal	37	126-6269	8	Screw-Truss
10:3	106-5517	2	Decal-Warning	38	126-7439	4	Screw-Torx
10:4	133-8062	1	Decal-Arrestor, Spark	39	1-807513	2	Bolt-CARR
11	126-7664-03	1	Guard-Muffler	40	3230-22	2	Screw-CARR
12	126-6260-01	1	Trim-Upper, Rear	41	3296-2	2	Nut-Lock, NI
13	136-1745-01	1	Cover-Pod, RH	42	126-1696	4	Screw-HWHTF
14	136-1746-01	1	Cover-LH	43	126-9808-03	1	Bracket-Support, Left Pod
15	126-9023-01	1	Bracket-Guard, RH	44	126-9809-03	1	Bracket-Support, Right Pod
16	126-9022-01	1	Bracket-Guard, LH	45	136-9030-01	1	Bracket-Support, Pod (RH)
19	126-6947	1	Cable-Control, Choke	46	136-9029-01	1	Bracket-Support, Pod (LH)
20	126-6946	1	Cable-Control, Throttle	47	126-8232	4	Screw-Truss Hex Skt
21	1-603175	1	Knob-Ball	49	3220-3	1	Nut-HJ
23	126-9945	1	Support-Console, RH	50	32149-2	4	Nut-Keps
24	126-5532-03	1	Bracket-Console, LH	52	126-9939	1	Decal-Fill, Fuel
25	68-3640	2	Decal	53	126-9299	2	Decal
28	126-9165-01	2	Weight-Rear	54	126-3739	4	Nut-Retainer

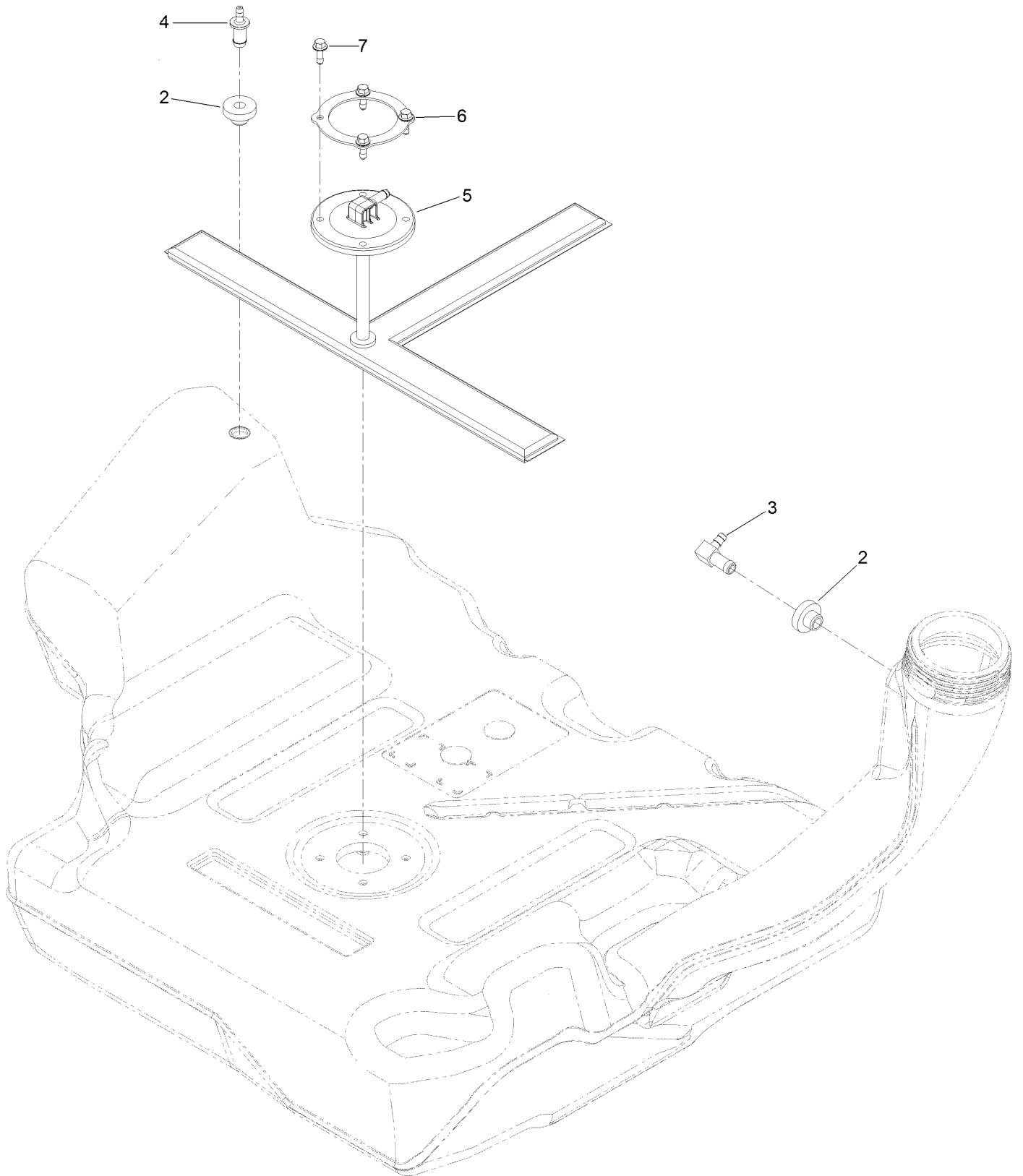
# Fuel Tank and Vent Hose System Assembly



## Fuel Tank and Vent Hose System Assembly (continued)

<i>Ref.</i>	<i>Part Number</i>	<i>Qty.</i>	<i>Description</i>	<i>Ref.</i>	<i>Part Number</i>	<i>Qty.</i>	<i>Description</i>
2	126-8735	1	Hose-Vent	6:4	2412-98	4	Clamp-Hose
6	126-8739	1	Fuel Hose ASM	8	135-4801	1	Cap-Fuel, Ratcheting
6:1	110-5702	1	Hose-Fuel	9	126-4724	1	Tank-Fuel
6:2	109-0282	1	Hose-Fuel	10	126-5523	4	Clip
6:3	1-603770	1	Valve-Fuel	17	1-303287	1	Tie-Cable

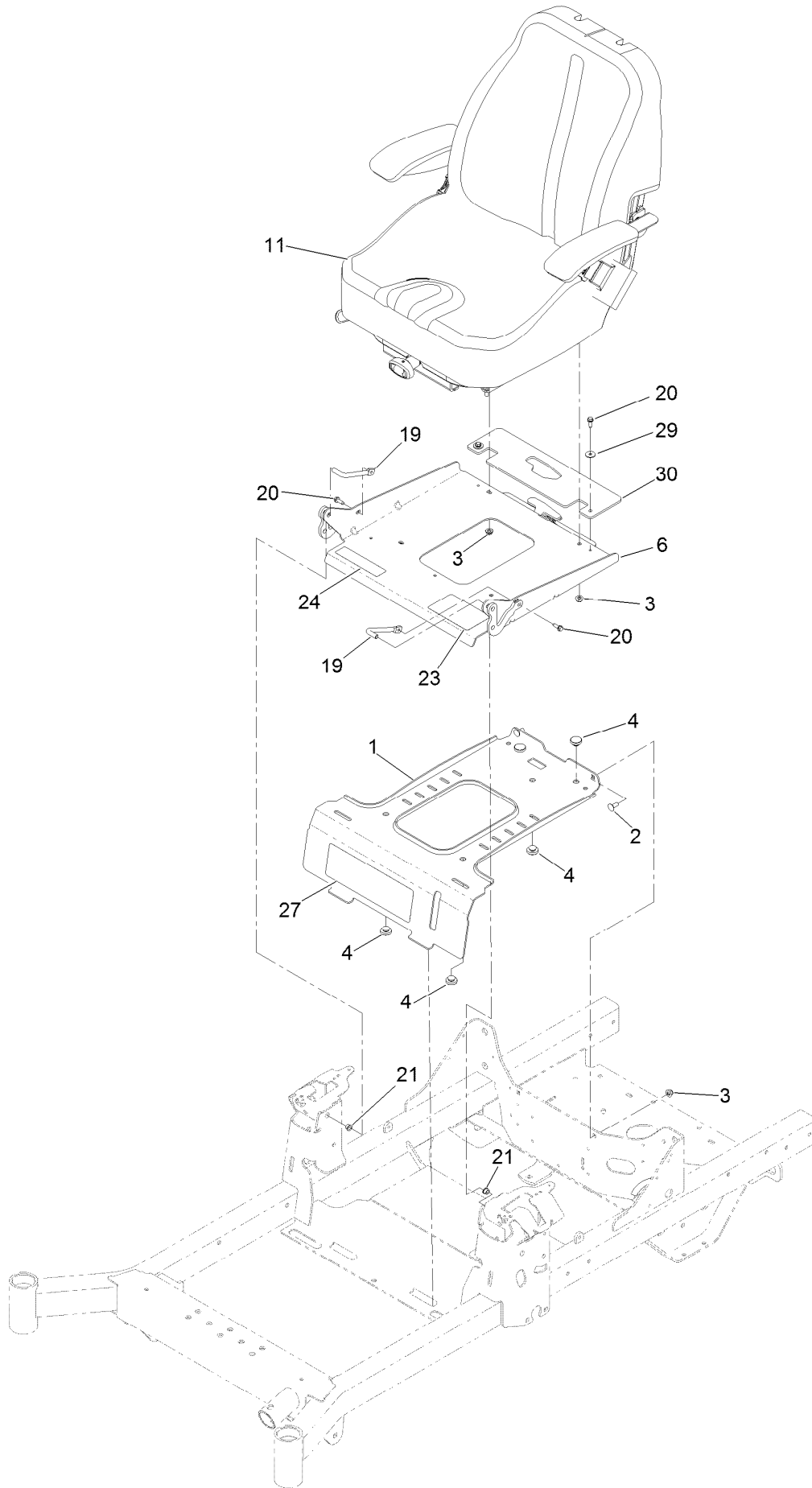
# Fuel Tank Assembly No. 126-4724



## Fuel Tank Assembly No. 126-4724 (continued)

<i>Ref.</i>	<i>Part Number</i>	<i>Qty.</i>	<i>Description</i>	<i>Ref.</i>	<i>Part Number</i>	<i>Qty.</i>	<i>Description</i>
2	46-6560	2	Bushing	5	126-5528	1	Pickup-Fuel
3	126-9057	1	Fitting-90 DEG	6	126-5527	1	Ring-Retainer
4	116-4630	1	Fitting-Orifice, Straight	7	126-5525	4	Bolt

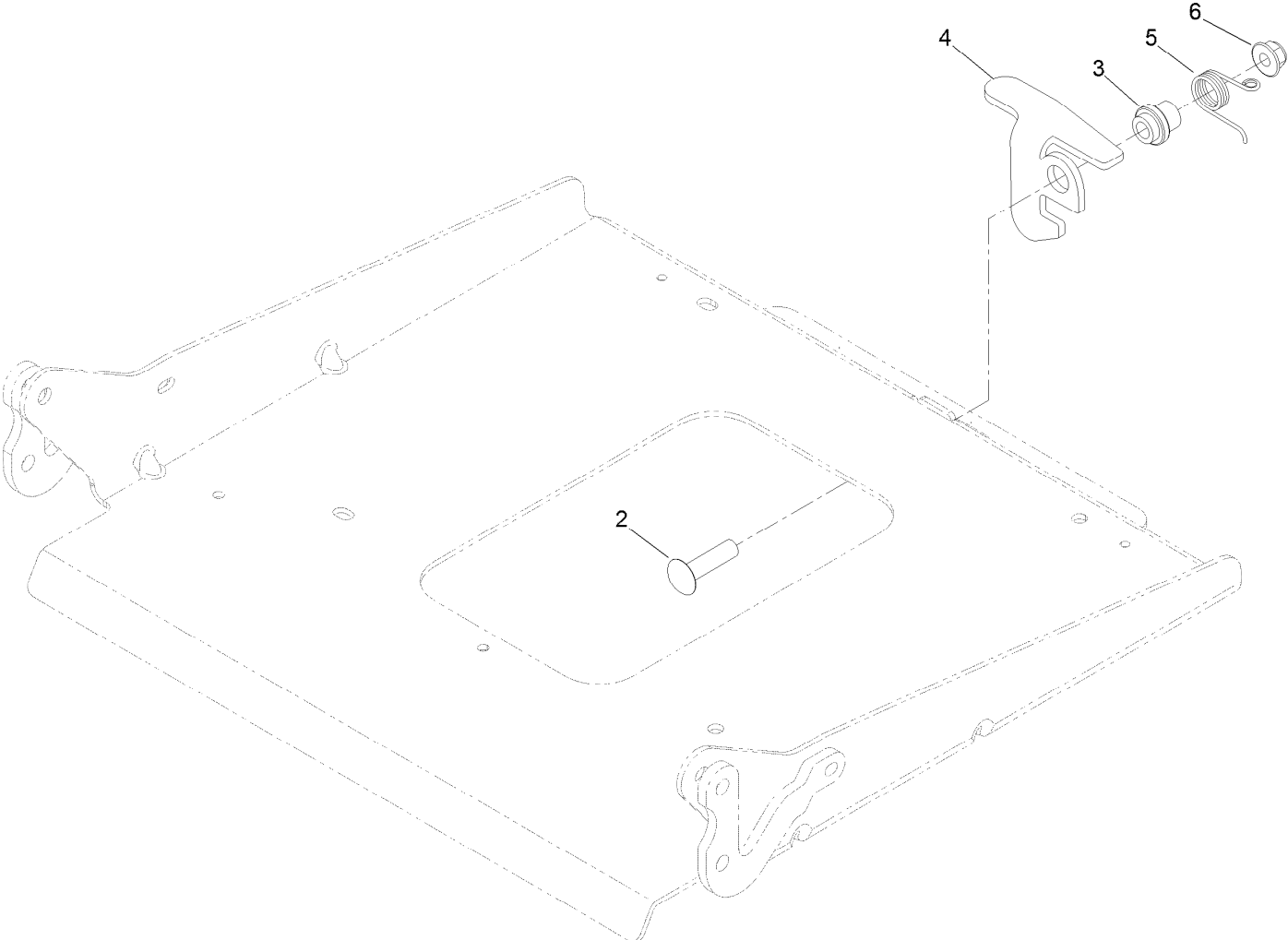
# Seat Mount Assembly



## Seat Mount Assembly (continued)

<i>Ref.</i>	<i>Part Number</i>	<i>Qty.</i>	<i>Description</i>	<i>Ref.</i>	<i>Part Number</i>	<i>Qty.</i>	<i>Description</i>
1	126-4082-03	1	Plate-Retainer, Tank	20	32144-44	4	Screw-HWH, Thread Roll
2	3230-23	2	Bolt-CARR	21	1-603735	2	Bushing-Flanged
3	104-8300	6	Nut-HF, NI	23	126-8151	1	Decal-Aid, Service
4	135-0505	5	Bumper-Seat	24	126-8161	1	Decal-Latch, Seat
6	126-7309	1	Seat Pan And Latch ASM	27	126-9273	1	Decal
11	136-9014	1	Seat ASM	29	3256-67	2	Washer
19	126-5914	2	Pin-Pivot, Seat	30	135-0214	1	Guard-Seat, Rubber

# Seat Pan and Latch Assembly No. 126-7309

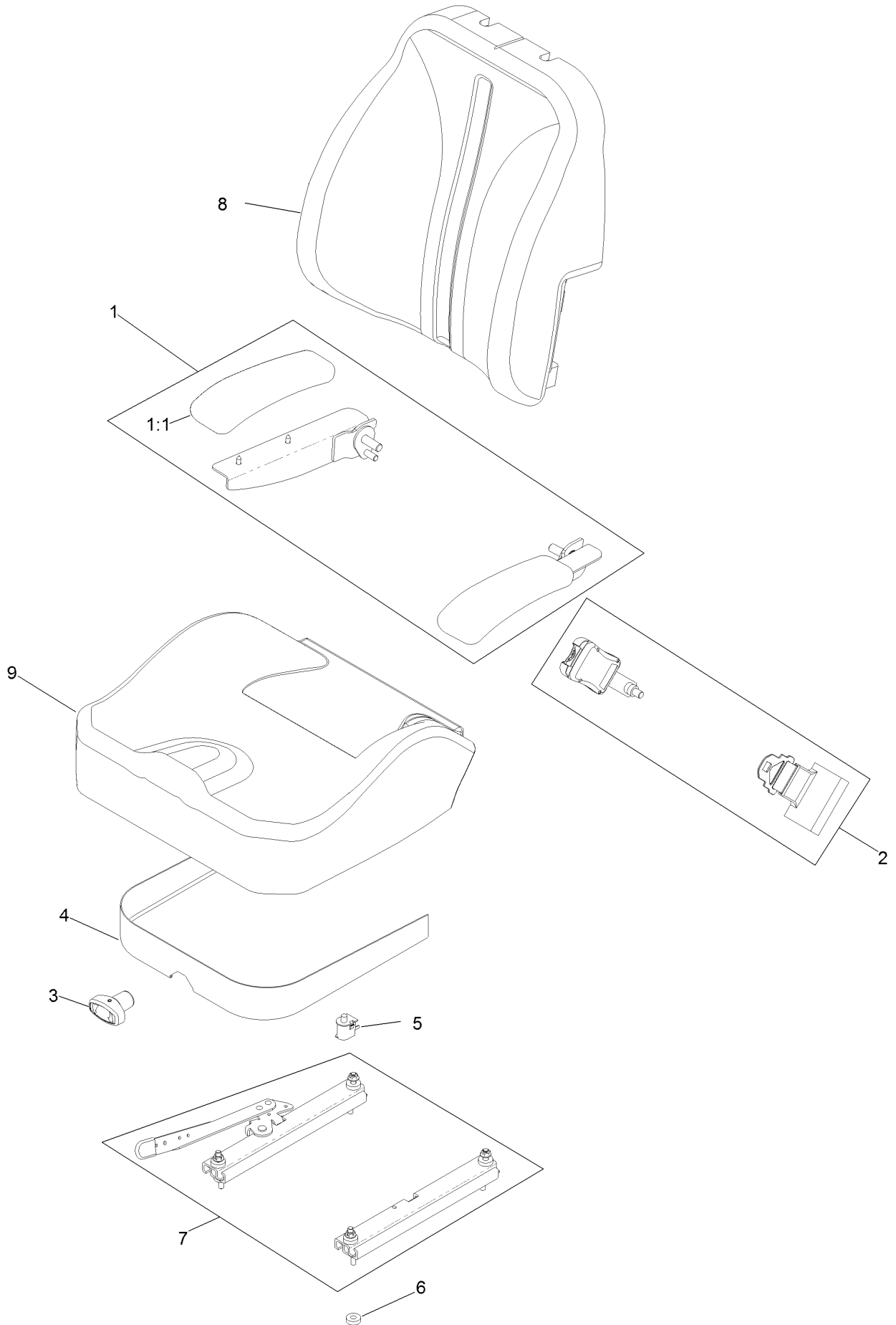




# Seat Pan and Latch Assembly No. 126-7309 (continued)

<i>Ref.</i>	<i>Part Number</i>	<i>Qty.</i>	<i>Description</i>	<i>Ref.</i>	<i>Part Number</i>	<i>Qty.</i>	<i>Description</i>
2	3231-26	1	Screw-CARR	5	126-8923	1	Spring-Torsion, Latch
3	107-0075	1	Bushing-Latch, Seat	6	104-8301	1	Nut-HF, NI
4	126-6739	1	Latch-Catch, Single				

# Seat Assembly No. 136-9014

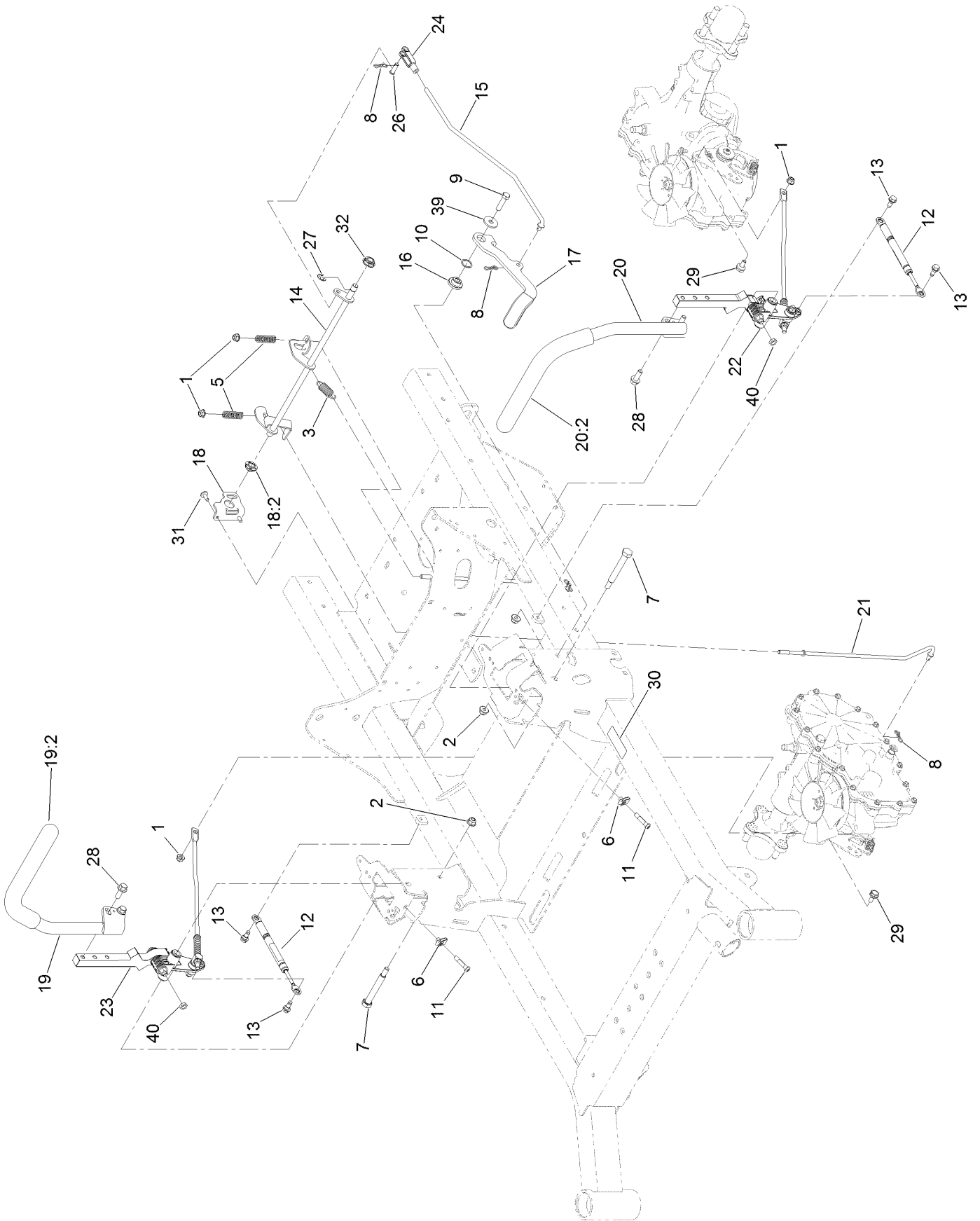


## Seat Assembly No. 136-9014 (continued)

<i>Ref.</i>	<i>Part Number</i>	<i>Qty.</i>	<i>Description</i>
1	126-2058	1	Armrest Kit
1:1	110-4163	2	Cushion-Rest, Arm
2	130-0845	1	Seat Belt Kit
3	130-0846	1	Knob-Adjuster
4	126-3506	1	Cover-Skirt W/Fasteners

<i>Ref.</i>	<i>Part Number</i>	<i>Qty.</i>	<i>Description</i>
5	82-2190	1	Switch-Bail
6	26-4840	4	Spacer-Pin, Mounting
7	130-0844	1	Track Set
8	136-9019	1	Cover-Back, Seat
9	136-9020	1	Cover-Bottom, Seat

# Motion Control Assembly



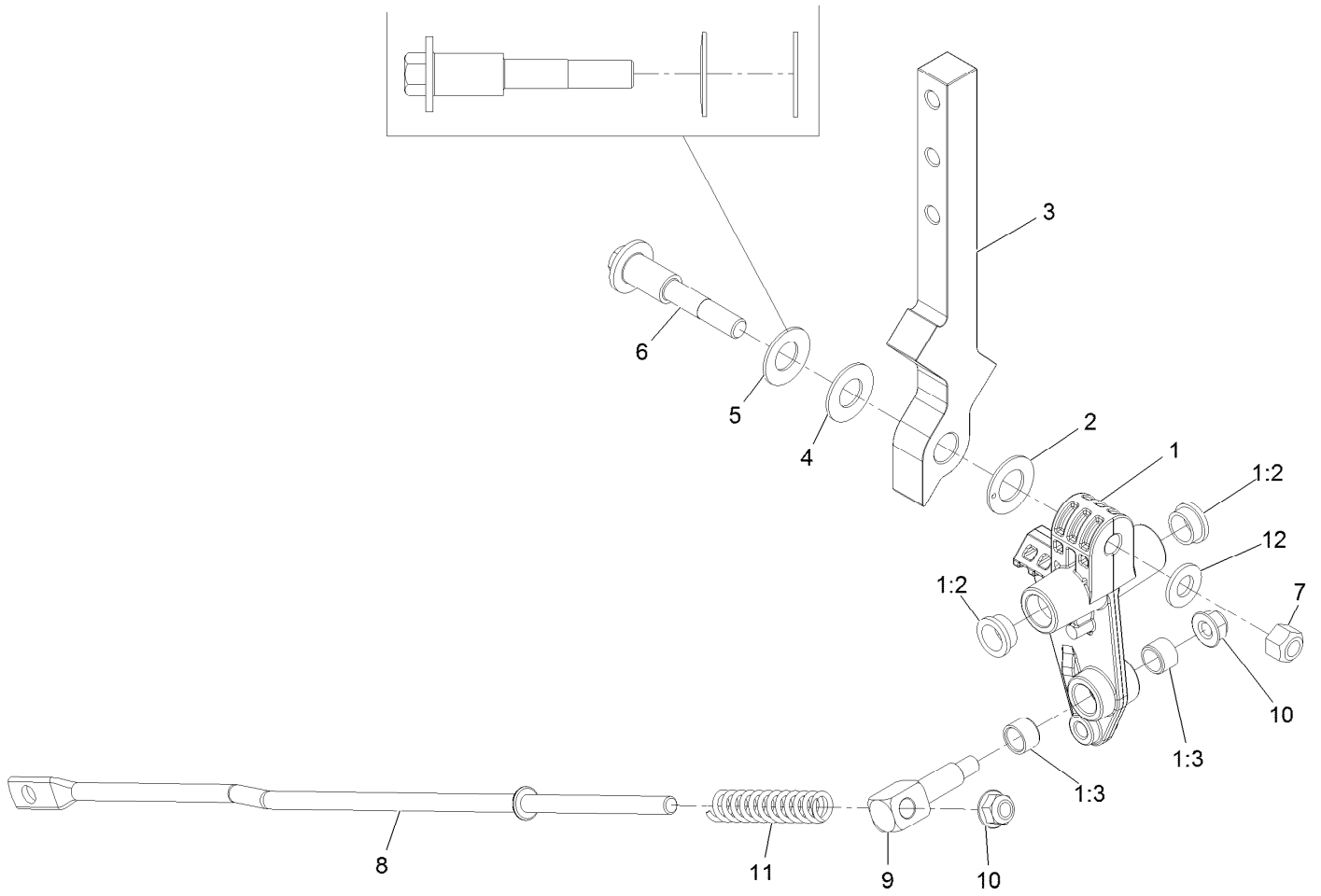
## Motion Control Assembly (continued)

<i>Ref.</i>	<i>Part Number</i>	<i>Qty.</i>	<i>Description</i>	<i>Ref.</i>	<i>Part Number</i>	<i>Qty.</i>	<i>Description</i>
1	104-8300	4	Nut-HF, NI	19	126-9191	1	RH Control Handle ASM
2	104-8301	3	Nut-HF, NI	19:2	126-7359	1	Grip
3	107-1045	1	Spring-Extension	20	126-9192	1	LH Control Handle ASM
5	109-7694	2	Spring-Compression	20:2	126-7359	1	Grip
6	112-3306	2	Nut	21	126-7217	2	Linkage-Brake, Lower
7	115-5099	2	Bolt-Pivot	22		1	LH Motion Control ASM ●
8	119-1415	4	Pin-Cotter, Locking	23		1	RH Motion Control ASM ●
9	323-8	1	Screw-HH	24	1-303105	1	Yoke-Adjustable
10	119-4164	1	Washer-Wave	26	1-808280	1	Pin-Clevis
11	126-4299	2	Screw-HSBH	27	32120-47	1	Ring-Retaining, External
12	126-4322	2	Damper	28	3234-42	4	Screw-HHF
13	126-4424	4	Screw-Shoulder	29	37-8771	2	Bolt-Shoulder, HF
14	126-5813	1	Shaft-Brake	30	115-9625	1	Decal-Brake, Parking
15	126-5819	1	Linkage-Brake, Upper	31	126-6266	2	Screw-Tph
16	126-5989	1	Pivot-Flange	32	126-5820	1	Bearing-Spherical
17	126-9490	1	Lever-Brake (With Grip)	39	2844	1	Washer
18	126-6456	1	Bracket-Brake	40	3218-3	2	Nut-Jam
18:2	126-5820	1	Bearing-Spherical				

● Not serviced separately

# LH and RH Motion Control Assembly

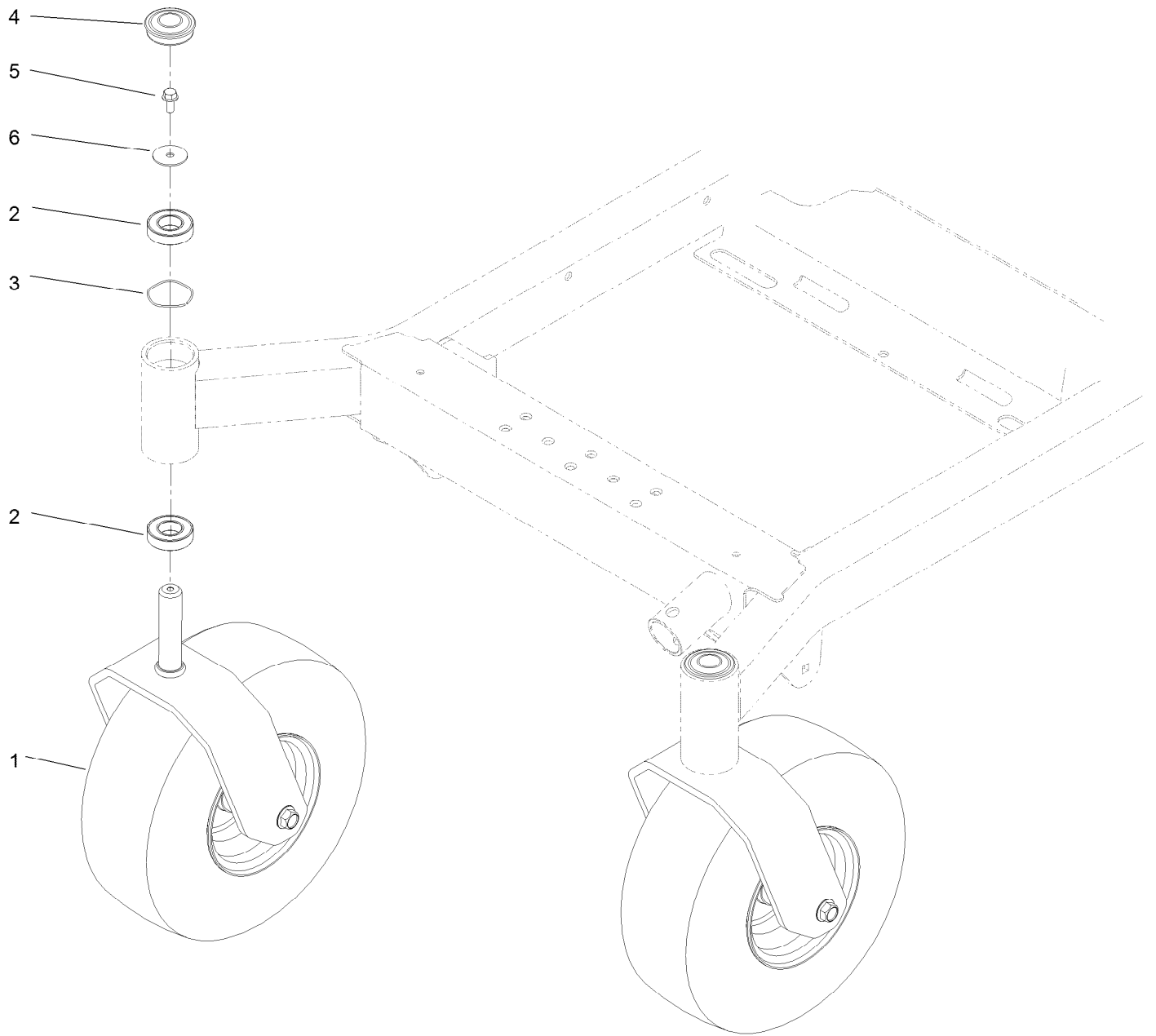
WASHER ORIENTATION



## LH and RH Motion Control Assembly (continued)

<i>Ref.</i>	<i>Part Number</i>	<i>Qty.</i>	<i>Description</i>	<i>Ref.</i>	<i>Part Number</i>	<i>Qty.</i>	<i>Description</i>
1	126-3773	1	Control Arm ASM	6	117-1198	1	Bolt-Pivot
1:2	126-8909	2	Bushing	7	32152-2	1	Nut-Lock, Cone
1:3	1-413152	2	Bushing-Sleeve	8	126-5435	1	Link-Control
2	126-7296	1	Washer-Friction	9	126-5434	1	Swivel
3	126-8182	1	Arm-Control	10	104-8300	2	Nut-HF, NI
4	117-1240	1	Washer	11	126-8195	1	Spring-Return, Neutral
5	119-8925	1	Washer-Belleville	12	3256-24	1	Washer-Plain

# Caster Wheel and Fork Assembly



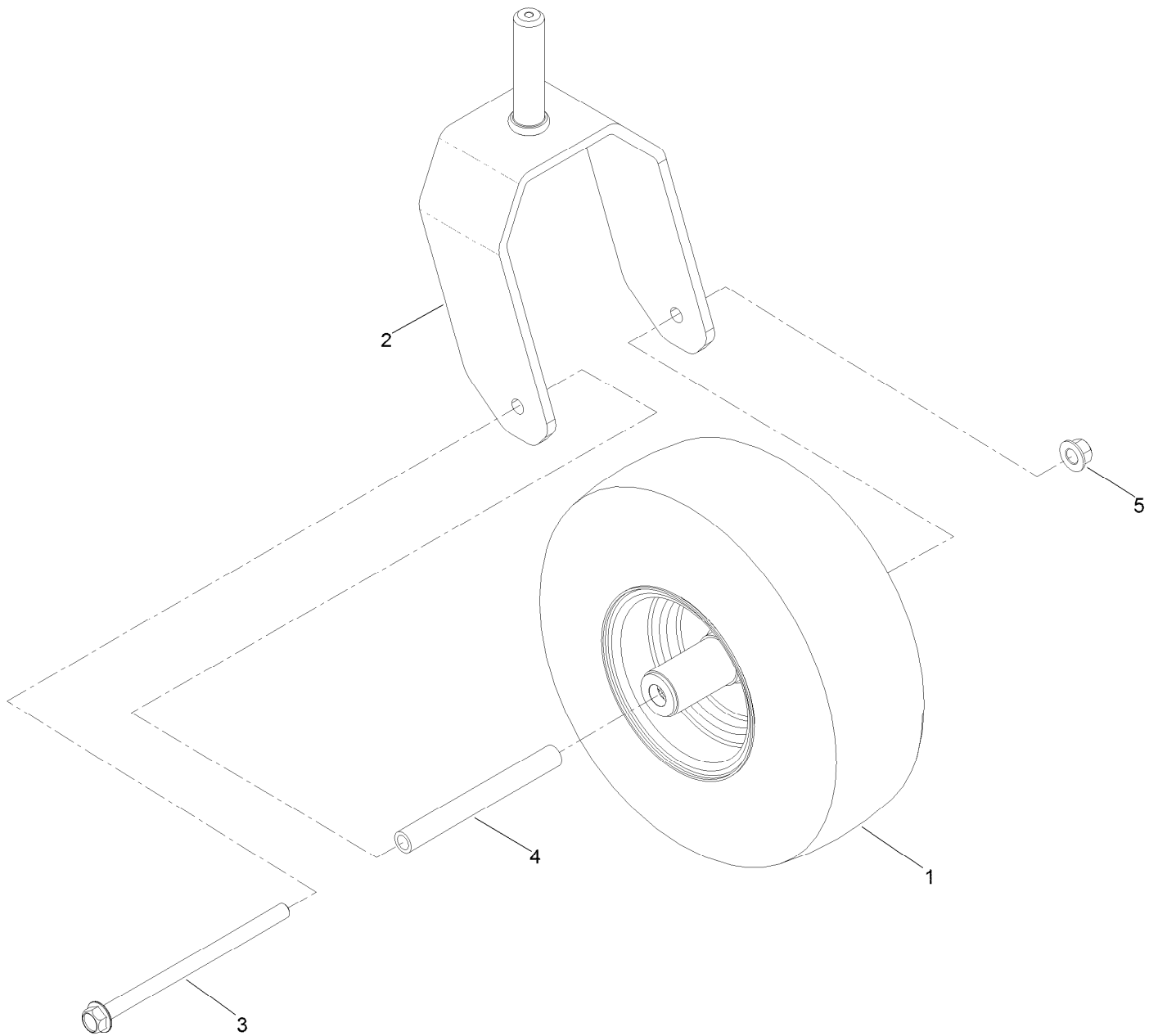


## Caster Wheel and Fork Assembly (continued)

<i>Ref.</i>	<i>Part Number</i>	<i>Qty.</i>	<i>Description</i>	<i>Ref.</i>	<i>Part Number</i>	<i>Qty.</i>	<i>Description</i>
1		2	Front Caster ASM (W/Fork) ●	4	116-4348	2	Cap-Grease
2	109-3678	4	Bearing-Ball	5	3234-5	2	Screw-HHF
3	126-5897	2	Spring	6	3256-68	2	Washer-Flat

● Not serviced separately

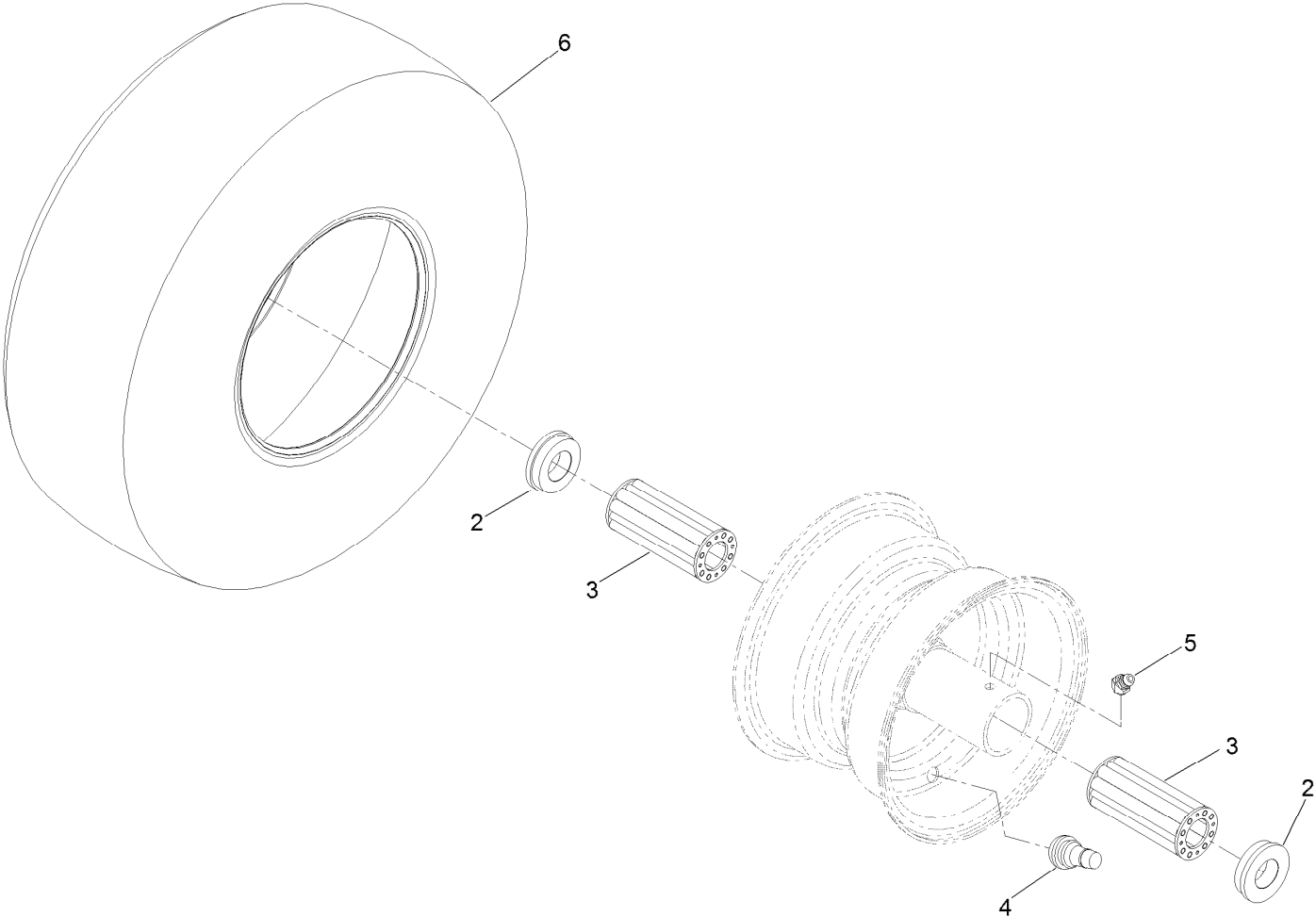
# Fork and Caster Wheel Assembly



## Fork and Caster Wheel Assembly (continued)

<i>Ref.</i>	<i>Part Number</i>	<i>Qty.</i>	<i>Description</i>	<i>Ref.</i>	<i>Part Number</i>	<i>Qty.</i>	<i>Description</i>
1	126-7592	1	Wheel And Tire ASM	4	127-0068	1	Spanner-Wheel, Caster
2	126-4312-01	1	Fork-Caster	5	99-5107	1	Nut-Lock
3	126-5389	1	Screw-HHF				

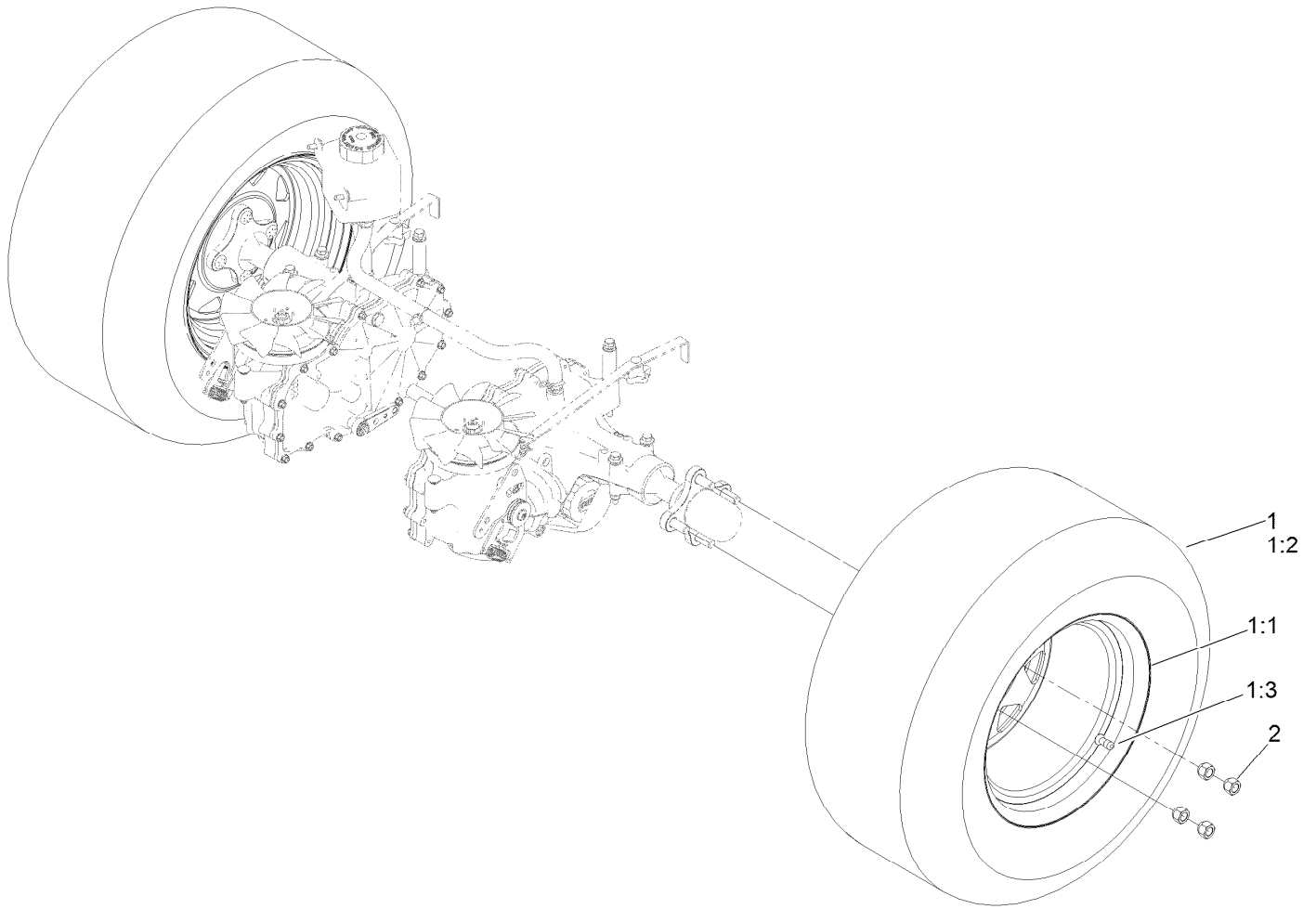
# Wheel and Tire Assembly No. 126-7592



## Wheel and Tire Assembly No. 126-7592 (continued)

<i>Ref.</i>	<i>Part Number</i>	<i>Qty.</i>	<i>Description</i>	<i>Ref.</i>	<i>Part Number</i>	<i>Qty.</i>	<i>Description</i>
2	130-0705	2	Bushing-Flange	5	120-7125	1	Fitting-Zerk
3	135-4489	2	Bearing-Roller, Wheel	6	126-5959	1	Tire
4	5108	1	Valve				

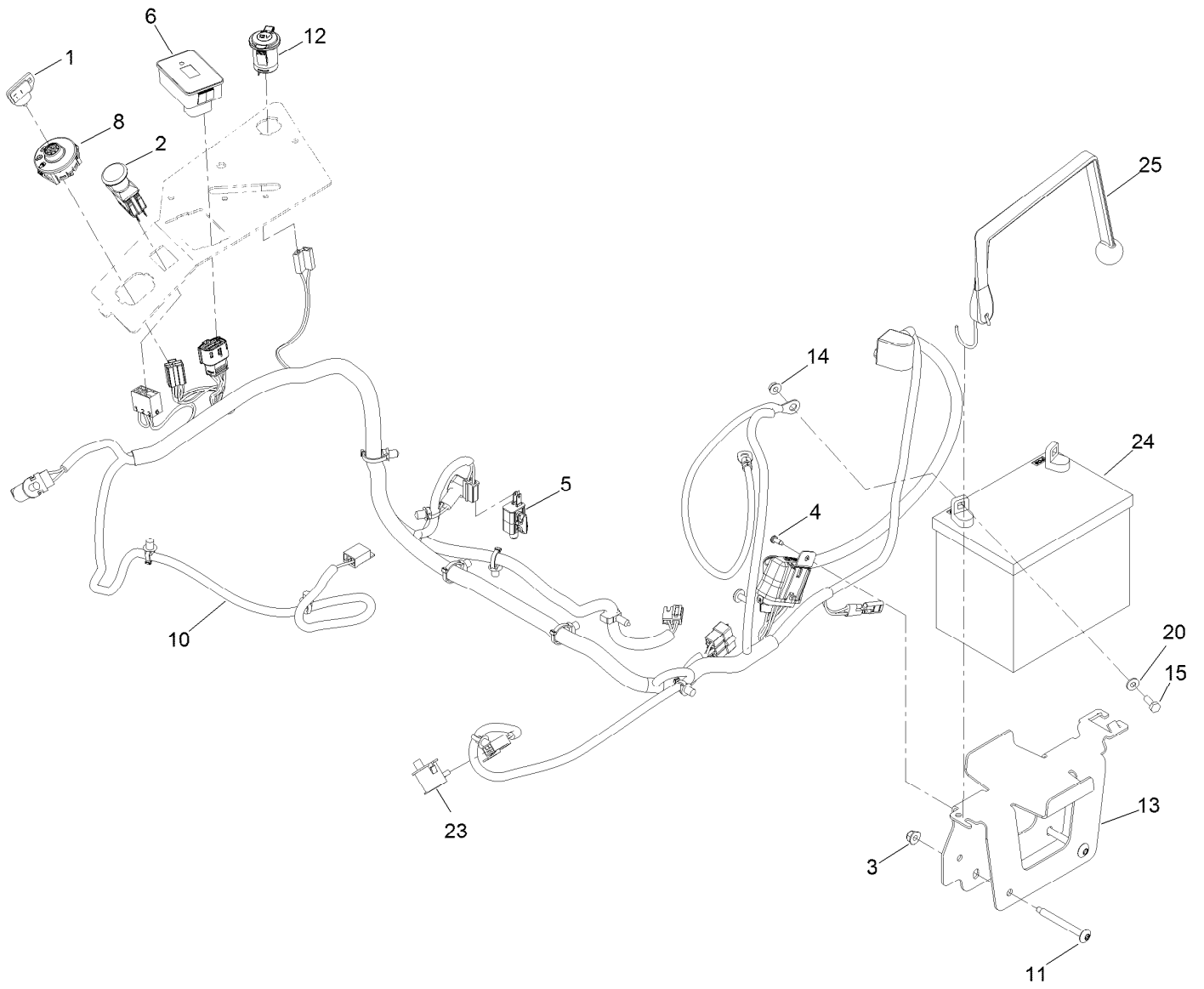
# Rear Wheel Assembly



## Rear Wheel Assembly (continued)

<i>Ref.</i>	<i>Part Number</i>	<i>Qty.</i>	<i>Description</i>	<i>Ref.</i>	<i>Part Number</i>	<i>Qty.</i>	<i>Description</i>
1	126-7833	2	Wheel And Tire ASM	1:3	232-27	1	Stem-Valve
1:1	126-2878	1	Rim-Wheel	2	242-50	8	Nut-Lug
1:2	120-3269	1	Tire				

# Electrical System Assembly





## Electrical System Assembly (continued)

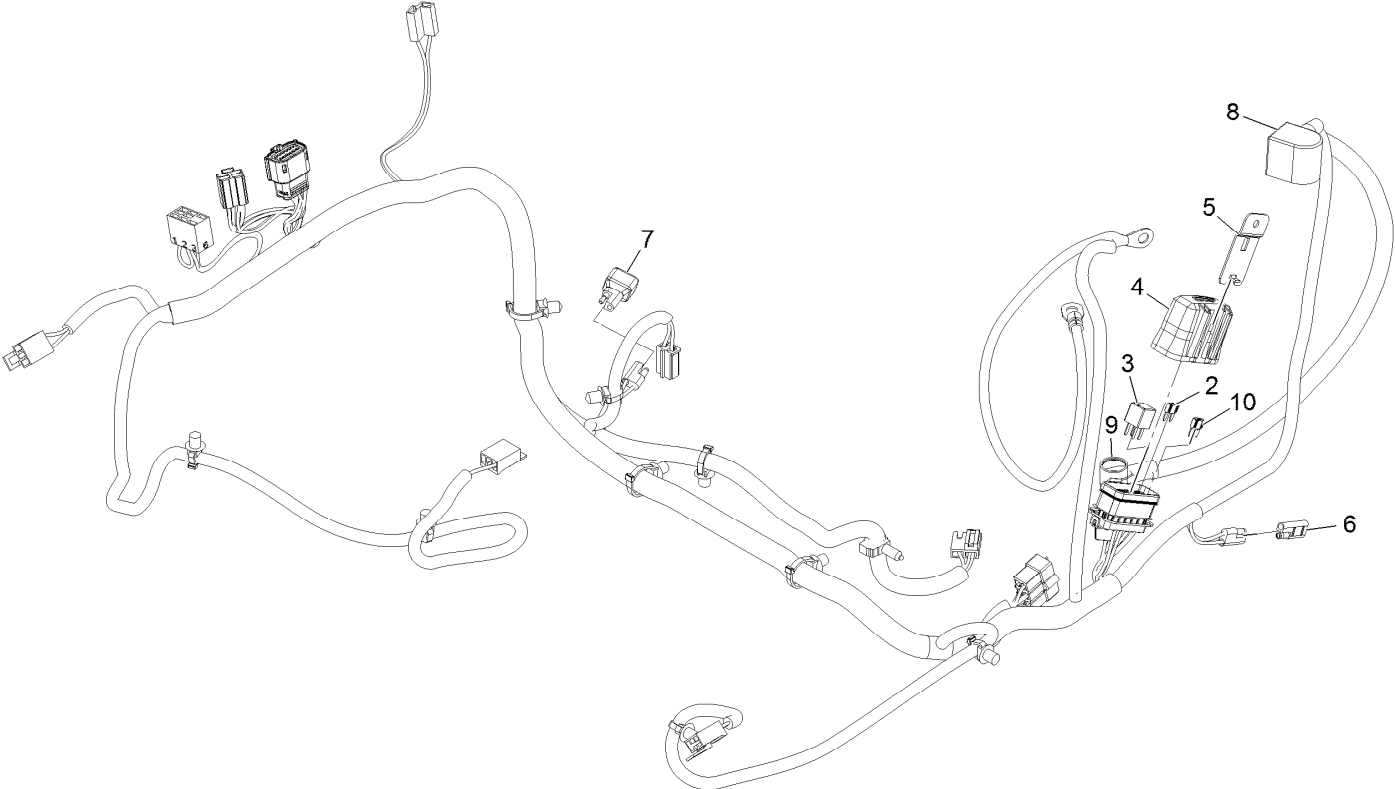
<i>Ref.</i>	<i>Part Number</i>	<i>Qty.</i>	<i>Description</i>	<i>Ref.</i>	<i>Part Number</i>	<i>Qty.</i>	<i>Description</i>
1	63-8360	1	Key-Ignition	12	126-6499	1	Port-Power, 12V
2	103-5221	1	Switch-PTO	13	126-6725-03	1	Tray-Battery
3	104-8300	2	Nut-HF, NI	14	32128-33	2	Nut-HF
4	105-6849	1	Screw-Forming, Thread	15	321-4	2	Screw-HH
5	110-6765	1	Switch	20	3256-22	2	Washer-Flat
6	116-5609	1	Module ASM	23	82-2190	2	Switch-Bail
8	137-4100	1	Switch-Ignition	24		1	Battery ●■
10	126-5803	1	Harness-Wire ▲	25	126-7627	1	Strap-Bungee
11	126-6267	2	Screw-TTH				

● Obtain locally.

■ Not serviced separately

▲ Use dielectric grease on all unsealed connectors and terminals only. Do not apply in sealed connectors.

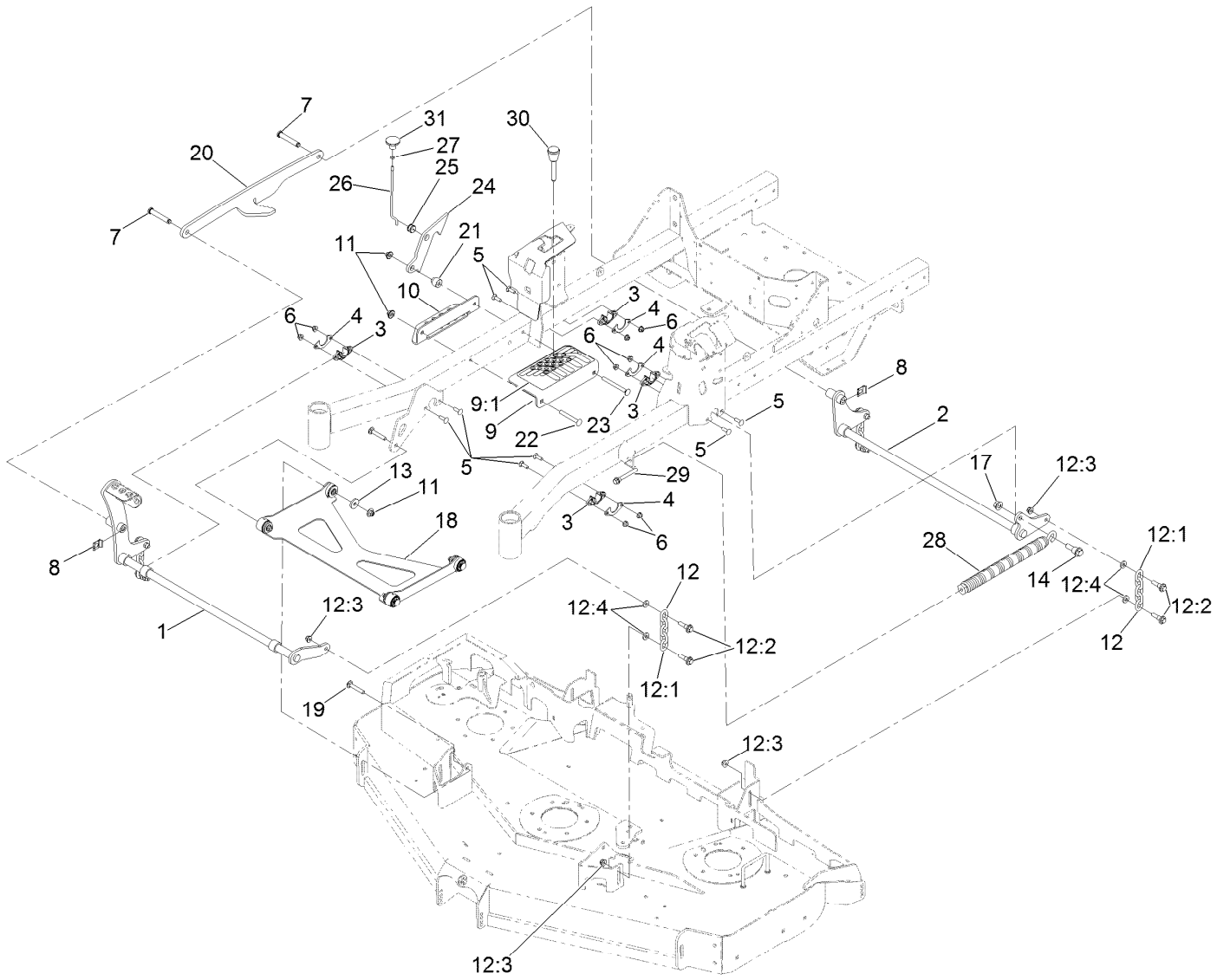
# Wire Harness Assembly No. 126-5803



## Wire Harness Assembly No. 126-5803 (continued)

<i>Ref.</i>	<i>Part Number</i>	<i>Qty.</i>	<i>Description</i>	<i>Ref.</i>	<i>Part Number</i>	<i>Qty.</i>	<i>Description</i>
2	121-8868	1	Fuse-Mini Blade, 20 Amp	7	103-3895	1	Diode
3	126-3991	1	Relay-Micro	8	126-8876	1	Insulator-Battery
4	32180-176	1	Cover-Block, Fuse	9	1-543393	1	Insulator-Solenoid
5	32180-177	1	Clip-Mounting	10	121-8867	1	Fuse-Mini Blade, 15 Amp
6	116-0053	1	Cap-Plug				

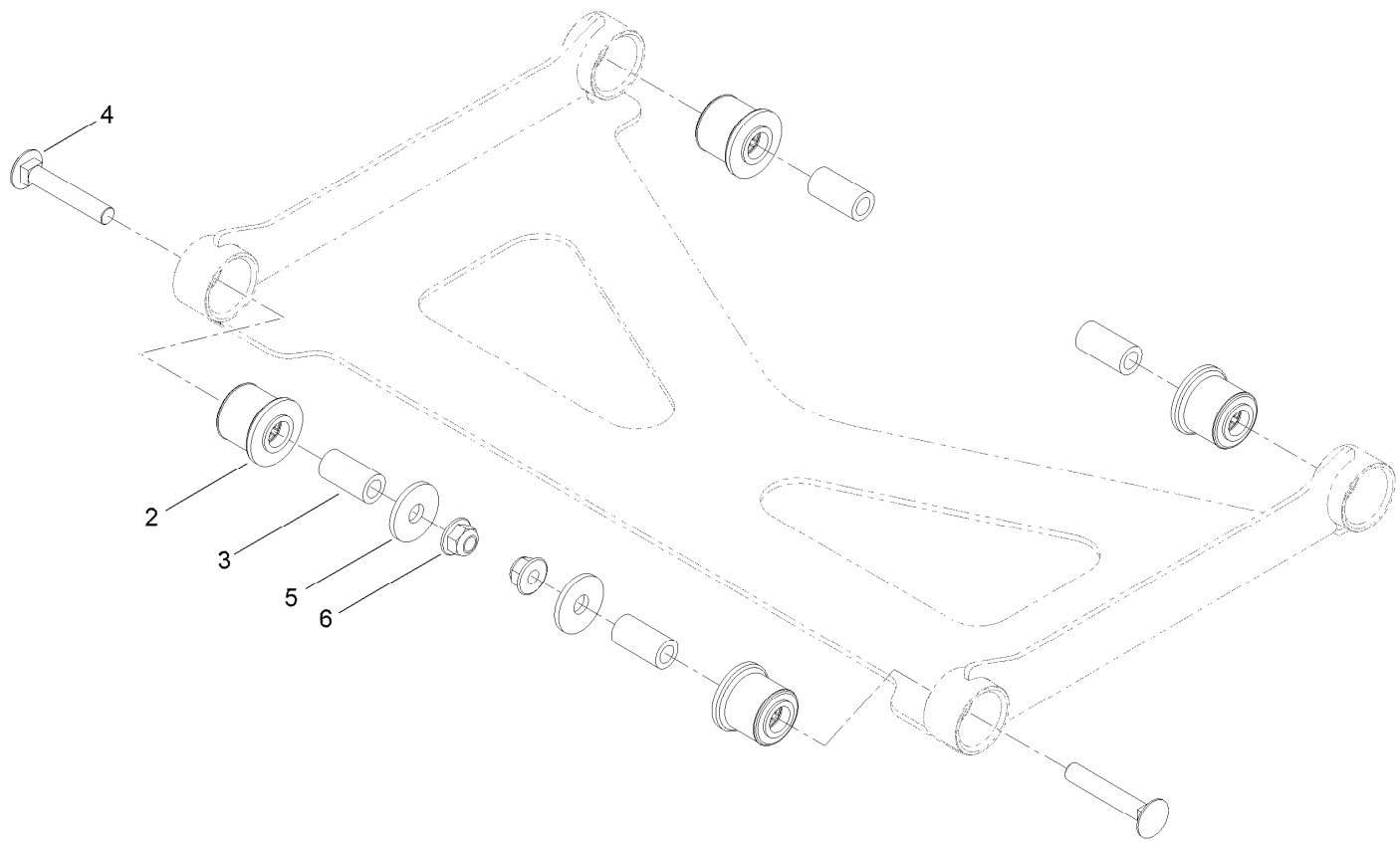
# Deck Lift Assembly



## Deck Lift Assembly (continued)

<i>Ref.</i>	<i>Part Number</i>	<i>Qty.</i>	<i>Description</i>	<i>Ref.</i>	<i>Part Number</i>	<i>Qty.</i>	<i>Description</i>
1	126-3342-03	1	Shaft-Lift, Deck	13	1-373034	2	Washer
2	126-3343-03	1	Shaft-Lift, Deck (Rear)	14	116-0780	1	Screw-Shoulder, HHF
3	115-5065	4	Bushing-Flange	17	99-5107	1	Nut-Lock
4	116-2887	4	Gusset-Lift, Deck	18	126-8365	1	Deck Strut ASM
5	3230-22	8	Screw-CARR	19	3231-7	2	Screw-CARR
6	104-8300	8	Nut-HF, NI	20	126-4639-03	1	Link-HOC
7	126-9181	2	Pin-Clevis	21	126-5221	1	Spacer-Stepped
8	95-4064	2	Clip-Pin	22	3231-42	1	Screw-CARR
9	126-4535	1	Bracket ASM	23	135-0313	1	Screw-CARR
9:1	126-4784	1	Decal-HOC	24	126-5222	1	Plate-Lock, Transport
10	126-4640-03	1	Angle-HOC, Lower	25	126-5593	1	Grommet
11	109-6658	4	Nut-Flange, NI	26	126-5223	1	Rod-Lock, Transport
12	126-8877	4	Deck Chain ASM	27	3218-1	1	Nut-Jam
12:1	1-633447	1	Chain-Lift, Deck	28	116-0886	1	Spring-Extension
12:2	130-0742	2	Bolt-Shoulder	29	92-7674	1	Bolt-Shoulder
12:3	104-8301	2	Nut-HF, NI	30	126-5401	1	Pin-HOC
12:4	43-0940	2	Spacer	31	126-7019	1	Knob

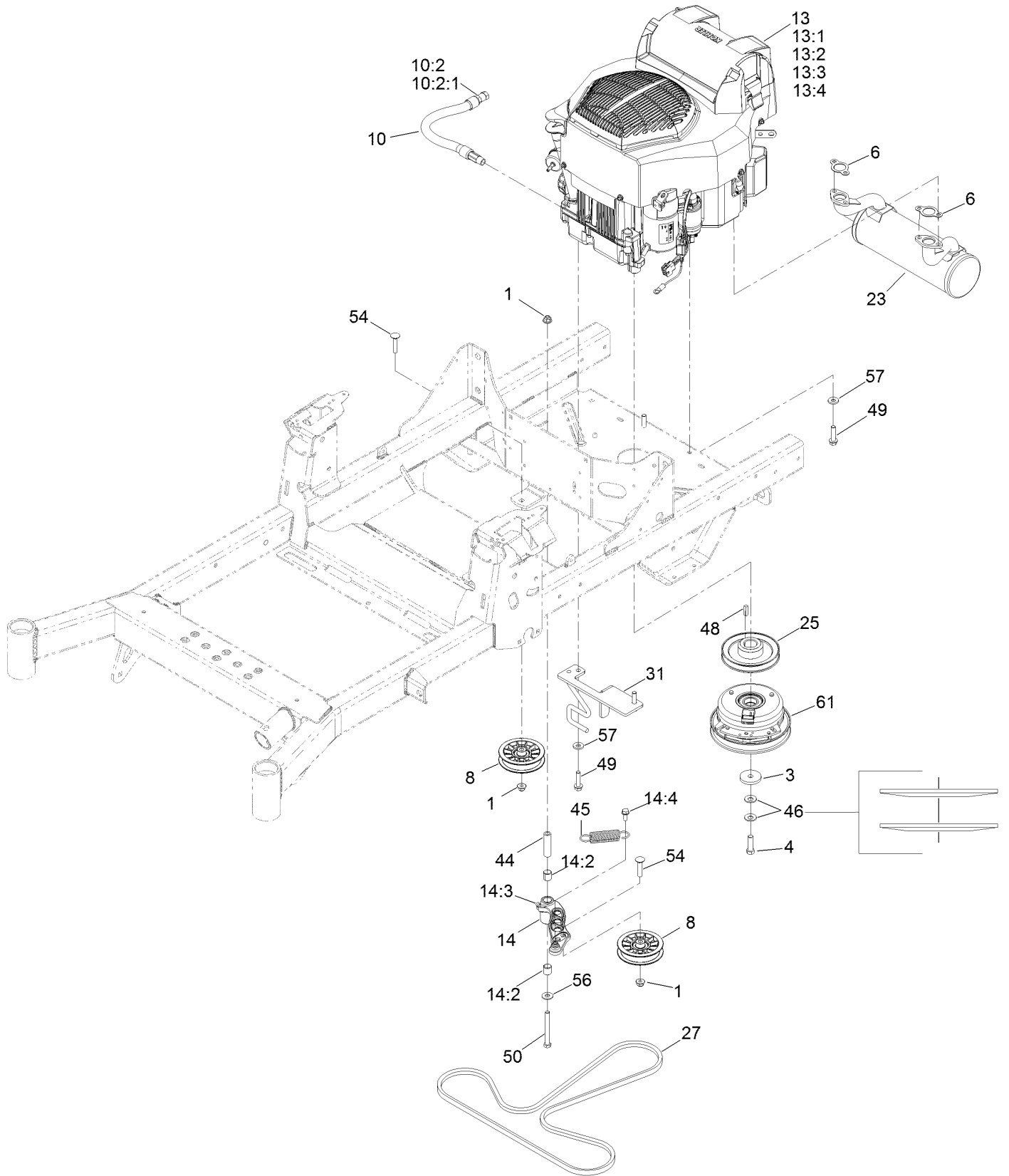
# Deck Strut Assembly No. 126-8365



## Deck Strut Assembly No. 126-8365 (continued)

<i>Ref.</i>	<i>Part Number</i>	<i>Qty.</i>	<i>Description</i>	<i>Ref.</i>	<i>Part Number</i>	<i>Qty.</i>	<i>Description</i>
2	126-8360	4	Bushing-Rubber, Suspension	4	3231-7	2	Screw-CARR
3	108-6544	4	Spacer	5	2844	2	Washer
				6	104-8301	2	Nut-HF, NI

# Engine, Clutch and Muffler Assembly





## Engine, Clutch and Muffler Assembly (continued)

<i>Ref.</i>	<i>Part Number</i>	<i>Qty.</i>	<i>Description</i>	<i>Ref.</i>	<i>Part Number</i>	<i>Qty.</i>	<i>Description</i>
1	104-8301	3	Nut-HF, NI	14:2	1-513034	2	Sleeve-Bearing
3	109-6919	1	Washer-Clutch	14:3	302-40	1	Fitting-Grease, 90 DEG
4	109-9761	1	Screw-HH □	14:4	32144-11	1	Screw-HWH
6	1-653291	2	Gasket-Exhaust	23	126-4359	1	Muffler-Kohler Aes
8	116-2456	2	Pulley-Flat Idler	25	126-5358	1	Sheave (W/Hub)
10	116-5108	1	Oil Drain Hose ASM ■	27	126-5993	1	Belt-V
10:2	353-508	1	Plug-HH ●	31	126-6688-03	1	Anchor-Clutch
10:2:1	237-42	1	O-Ring	44	1-603384	1	Bushing-Pivot, Idler
13		1	Engine -Kohler, Zt740-3011 ▲	45	1-603402	1	Spring-Extension
13:1		1	Kohler 16 083 01-S Engine Air Filter ▲◆	46	1-603610	2	Washer-Spring
13:2		1	Kohler 52 050 02-S Engine Oil Filter ▲◆	48	1-807259	1	Key
13:3		1	Kohler 24 050 13-S Fuel Filter ▲◆	49	32144-102	4	Screw-HWH
13:4		1	Kohler 25 083 04-S Safety Filter ▲◆	50	323-15	1	Screw-HH
14	126-0973	1	Idler Arm ASM	54	3231-29	2	Screw-CARR
				56	3256-4	1	Washer-Flat
				57	98-5975	4	Washer-Belleville
				61	126-8926	1	Clutch

● Torque to 24-26 ft-lb

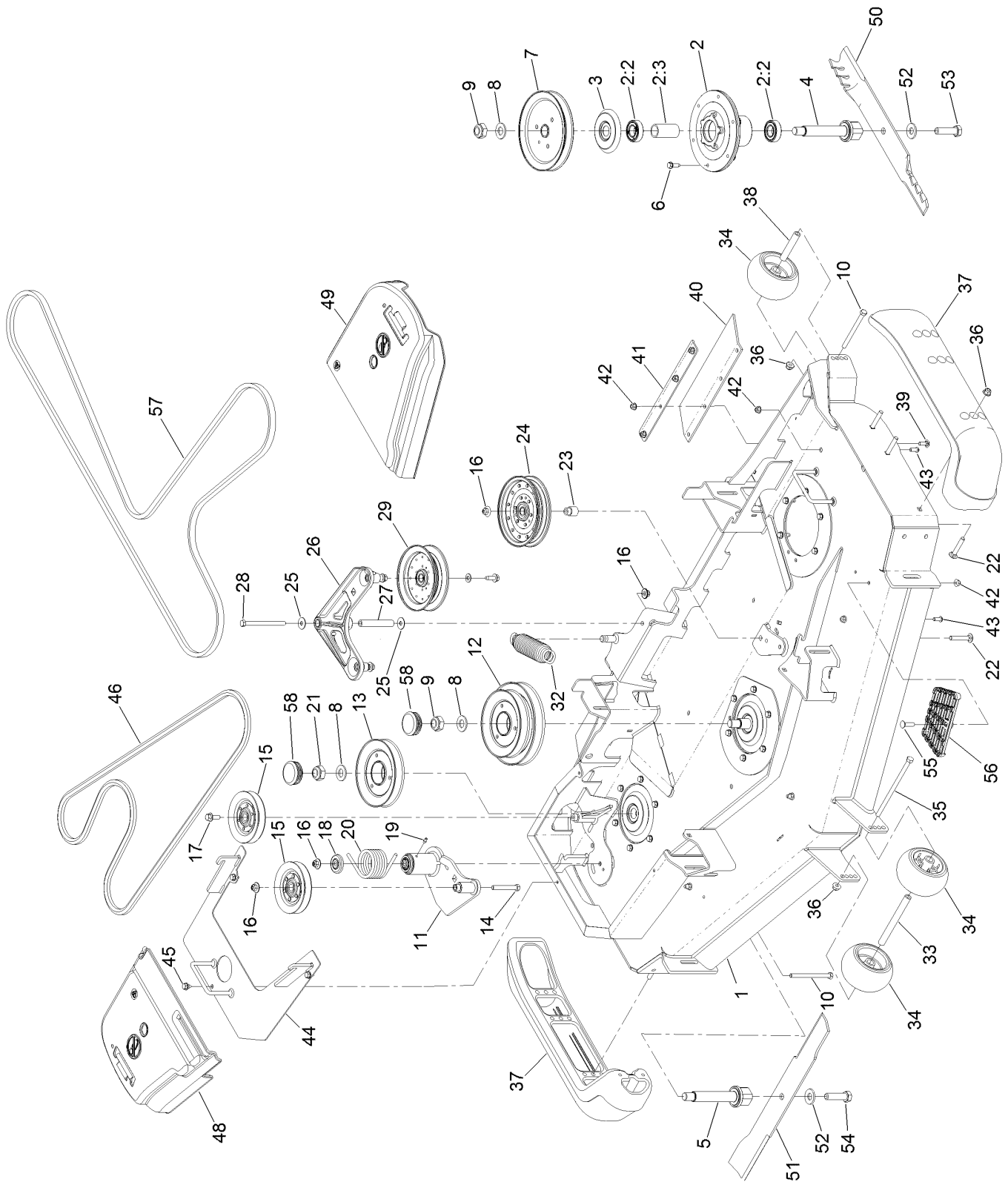
▲ Not serviced separately

□ Use Pro-Lock, Nut Type (P/N 1-840022, .5ml tube) on threads.

■ Torque to 17-23 ft-lb

◆ Obtain parts from [www.kohlerplus.com](http://www.kohlerplus.com)

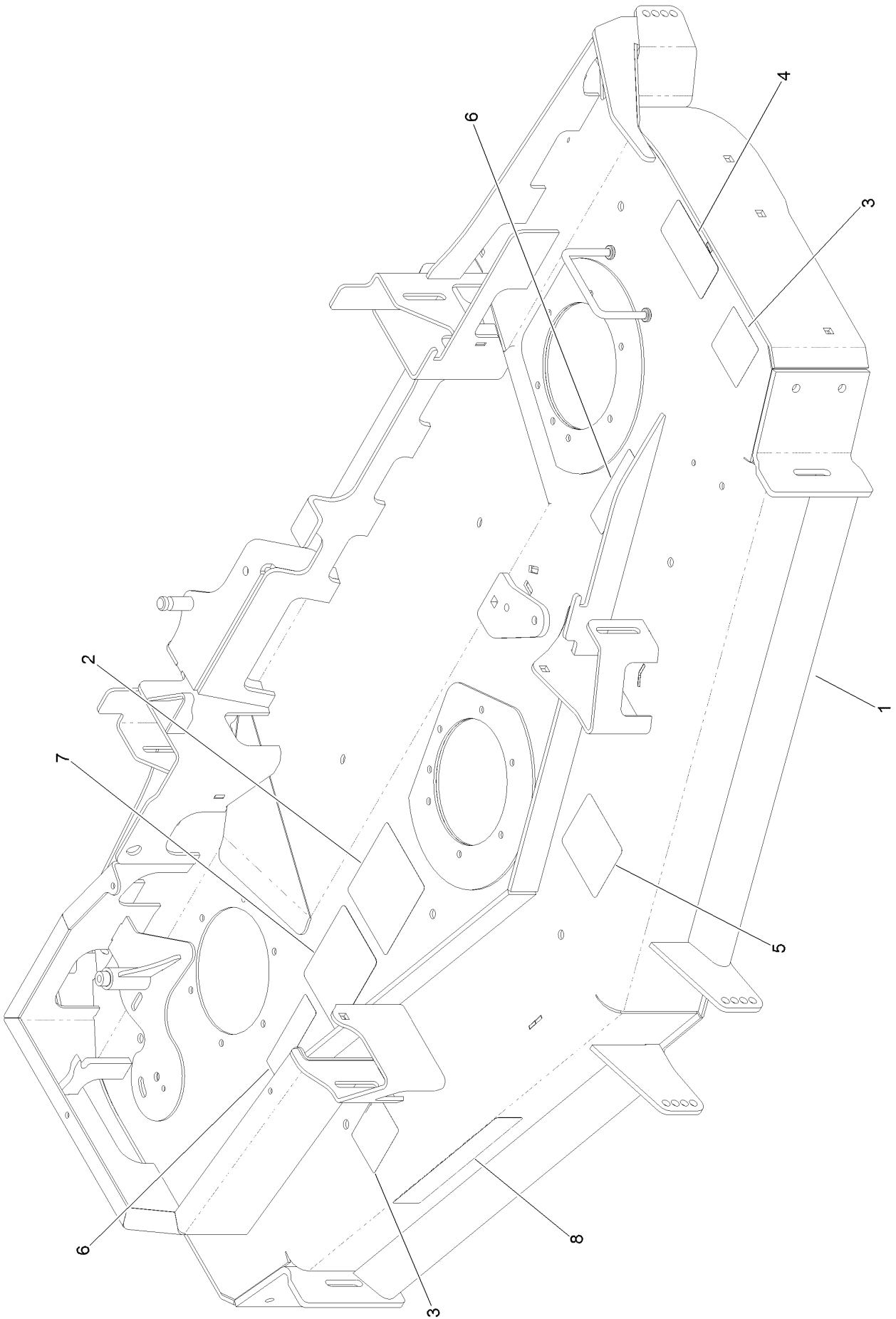
# Deck Assembly



## Deck Assembly (continued)

<i>Ref.</i>	<i>Part Number</i>	<i>Qty.</i>	<i>Description</i>	<i>Ref.</i>	<i>Part Number</i>	<i>Qty.</i>	<i>Description</i>
1	126-8924	1	Deck Decal ASM	28	323-38	1	Screw-HH
2	120-5477	3	Spindle ASM	29	116-4668	1	Idler-Pulley, Flanged
2:2	116-0720	2	Bearing-Ball	32	116-6317	1	Spring-Extension
2:3	115-2641	1	Spacer-Bearing	33	98-5967	1	Spacer-Wheel
3	117-7210	3	Shield-Bearing	34	1-603299	4	Roller-Scalp, Anti
4	133-2126	2	Shaft-Spindle	35	108-5388	1	Screw-HH
5	126-8143	1	Shaft-Spindle, LH Thread	36	104-8301	9	Nut-HF, NI
6	701243	18	Screw-Thd Roll, HWH	37	112-1479	2	Skid-Bumper, Deck
7	120-7856	1	Pulley B Section	38	98-7912	2	Tube-Spanner
8	92-5836	3	Washer	39	3230-16	8	Screw-CARR
9	3296-67	2	Nut-Lock, NI	40	116-8191	2	Guard-Tire
10	323-23	3	Screw-HH	41	126-0413-01	2	Support-Outer Flap
11	126-0853	1	Idler ASM	42	104-8300	15	Nut-HF, NI
12	126-4800	1	Sheave-Double	43	3274-55	6	Screw-HSBH
13	126-4801	1	Sheave	44	126-5116-01	1	Cover-Drive, Reverse
14	323-13	1	Screw-HH	45	9266934	3	Screw
15	126-1478	2	Sheave	46	116-8187	1	Belt
16	109-6658	4	Nut-Flange, NI	48	116-0094	1	Cover-Belt, RH
17	3234-11	1	Screw-HHF	49	126-1989	1	Cover-Belt, LH
18	103-2916	1	Guard-Top	50	133-2157	2	Blade-Rotary, Atomic 20.5
19	302-19	1	Fitting-Grease	51	126-8142	1	Blade-Rotary, Cr 20.5 Low Flow
20	108-1921	1	Spring-Torsion	52	125-1736	3	Washer-Belleville
21	125-9325	1	Nut-Lock,NI Left Hand Thread	53	51-4060	2	Screw-Blade
22	3231-7	7	Screw-CARR	54	125-9326	1	Screw-Blade, LH
23	1-633456	1	Bushing, Idler	55	3230-3	1	Screw-CARR
24	116-4670	1	Pulley-Idler, Flat	56	126-4781-03	1	Step-Deck
25	52-2860	2	Washer	57	126-6628	1	Belt-V
26	126-0976	1	Idler Arm ASM	58	126-8204	2	Caplug-Round
27	116-5111	1	Bushing				

# Deck Decal Assembly No. 126-8924

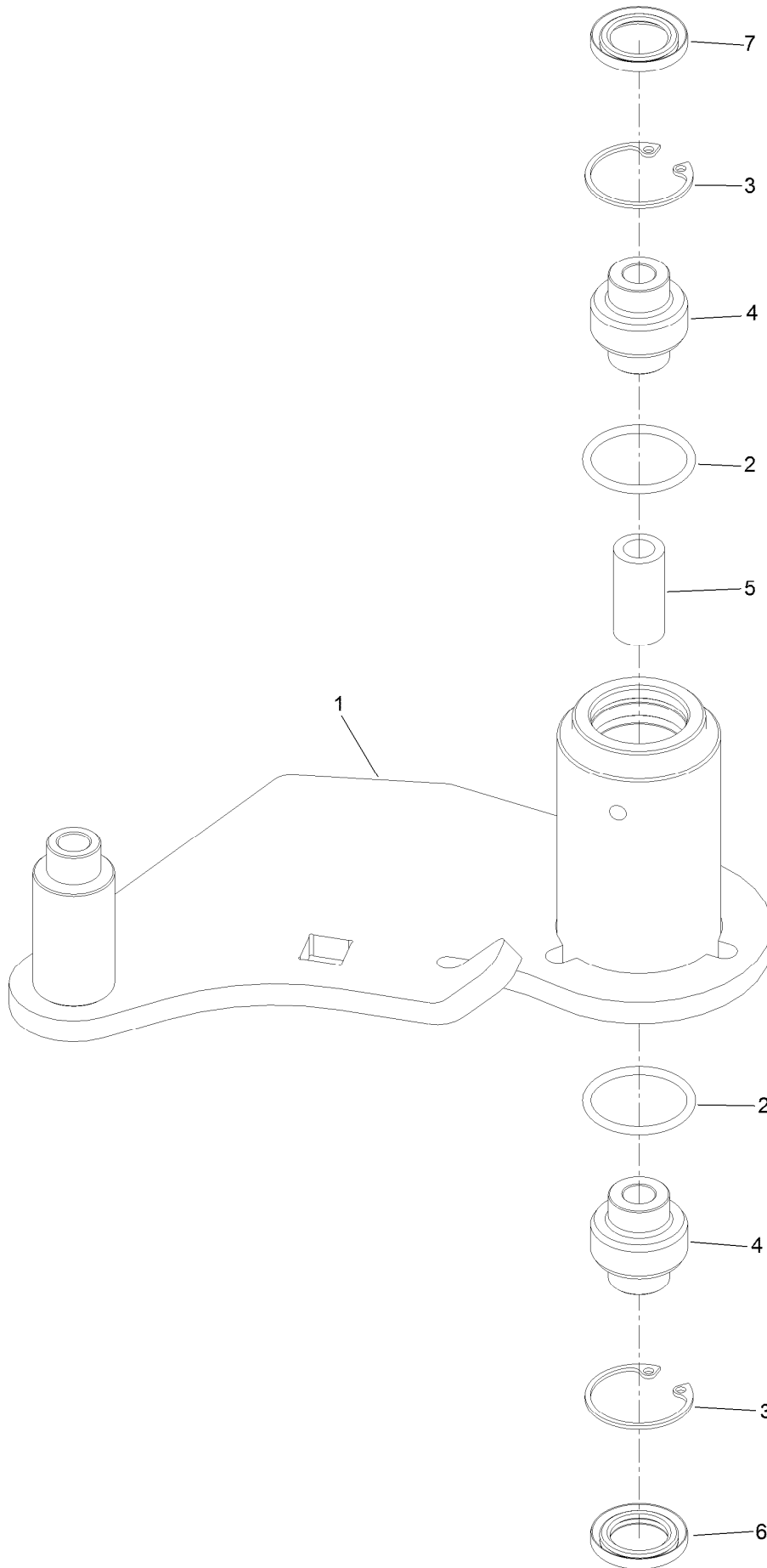


## Deck Decal Assembly No. 126-8924 (continued)

<i>Ref.</i>	<i>Part Number</i>	<i>Qty.</i>	<i>Description</i>	<i>Ref.</i>	<i>Part Number</i>	<i>Qty.</i>	<i>Description</i>
1		1	Deck Decal ASM ●	5	109-6036	1	Decal-Roller, Anti-Scalp
2	126-0768	1	Decal-Routing, Belt	6	112-9028	2	Decal-Cover, Missing
3	135-0664	2	Decal-Danger, Thrown Object	7	127-6662	1	Decal-Spindle, Counter Rotating
4	93-7818	1	Decal-Torque, Blade Bolt	8	121-3206	1	Decal

● Not serviced separately

# Idler Assembly No. 126-0853



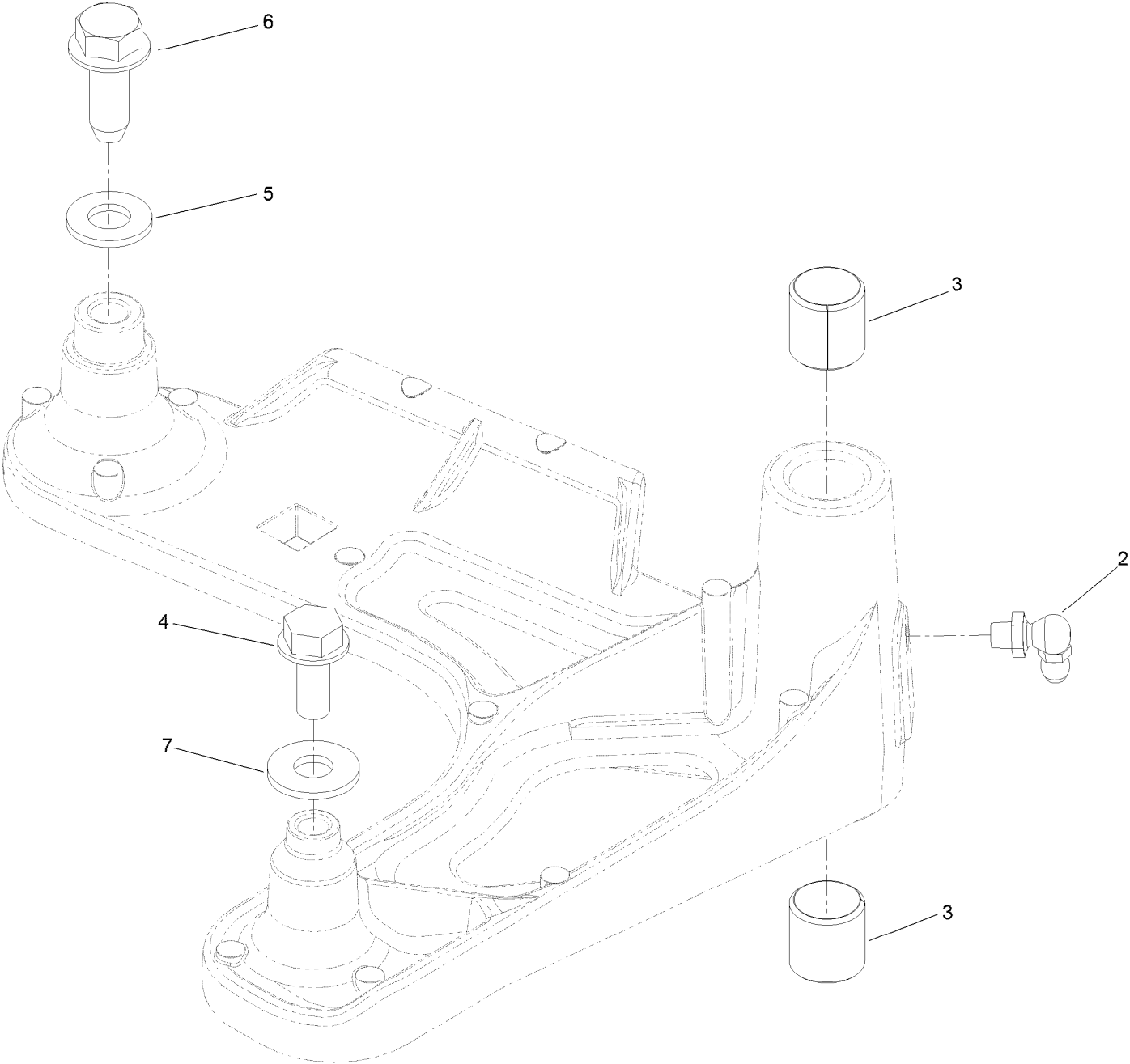
## Idler Assembly No. 126-0853 (continued)

<i>Ref.</i>	<i>Part Number</i>	<i>Qty.</i>	<i>Description</i>
1		1	Idler-Deck ●
2	106-7159	2	O-Ring
3	32120-10	2	Ring-Snap
4	103-3504	2	Bearing-Spherical

<i>Ref.</i>	<i>Part Number</i>	<i>Qty.</i>	<i>Description</i>
5	108-6544	1	Spacer
6	103-3505	1	Seal-Lip, Double
7	103-3506	1	Seal-Lip, Single

● Not serviced separately

# Idler Arm Assembly No. 126-0976





## Idler Arm Assembly No. 126-0976 (continued)

<i>Ref.</i>	<i>Part Number</i>	<i>Qty.</i>	<i>Description</i>
2	302-40	1	Fitting-Grease, 90 DEG
3	1-513034	2	Sleeve-Bearing
4	32144-11	1	Screw-HWH

<i>Ref.</i>	<i>Part Number</i>	<i>Qty.</i>	<i>Description</i>
5	3256-24	1	Washer-Plain
6	126-1696	1	Screw-HWHTF
7	3256-3	1	Washer-Flat

# Attachments and Accessories

## For 74463 TITAN HD 2000 Series Riding Mower with 60in Rear-Discharge Deck

<b>Product Name</b>	<b>Model/Part</b>
Hypr-Oil 500 (quart) .....	114-4713
Hypr-Oil 500 (gallon).....	114-4714
Hypr-Oil 500-5 (5 gallon).....	114-4715
Finish Cut Kit .....	116-8547
Toro Hydro Kit.....	121-3783
LED Light Kit.....	126-5382
Front Bucket Bracket Kit .....	126-7011
Sunshade Kit .....	126-8077
Blade-Rotary, CR 20.5in Low Flow .....	126-8142
Cover-Hitch.....	126-8299
Trash Container Kit.....	126-8379
Weight Caster Kit.....	126-8639
Flat Free Wheel and Bearing Kit .....	126-9368
Jack Kit.....	127-6666
Engine Maint Kohler ZT Kit .....	133-1306
Hi-Back Seat Cover .....	133-1308
5 Gallon Bucket .....	133-2533
Trimmer Mount Kit .....	136-1682
ROPS Pin Kit.....	136-1683
Bucket Mount Kit.....	136-9045
Universal Mount Kit Mower .....	136-9046
Titan HD Triple Threat Attachment Kit.....	136-9047
Extended Control Levers Kit, Dedicated-Bagging Riding Mower.....	138-6020
Toro Deluxe Rider Cover.....	490-7319

**Notes:**



**Count on it.**