



Count on it.

Parts Catalog

**48in TITAN® HD 1500 Series
Riding Mower**

Model No. 74450—Serial No. 402100000 and Up



Ordering Replacement Parts

To order replacement parts, please supply the part number, the quantity, and the description of each part desired.

Understanding Reference Numbers

Each identified part in an illustration has a reference number. The reference number for a part also appears in the parts list, along with other information about the part.

This catalog uses two special reference number formats, one to indicate parts in a service assembly and another to indicate the quantity of a given part in an illustration.

Service Assembly Reference Numbers

Parts in service assemblies have reference numbers in the form a:b. The a represents the reference number of the entire service assembly and the b represents a sequential number unique to each part within the service assembly.

For example, a wheel assembly might be identified by reference number 6, the tire by 6:1, the valve by 6:2, and the wheel by 6:3. When you order the assembly identified by reference number 6, you receive all parts identified by reference numbers 6:1, 6:2, and 6:3. However, you may also order any part individually. Reference numbers of this type appear in illustration and in parts lists.

Reference Numbers Indicating Quantity

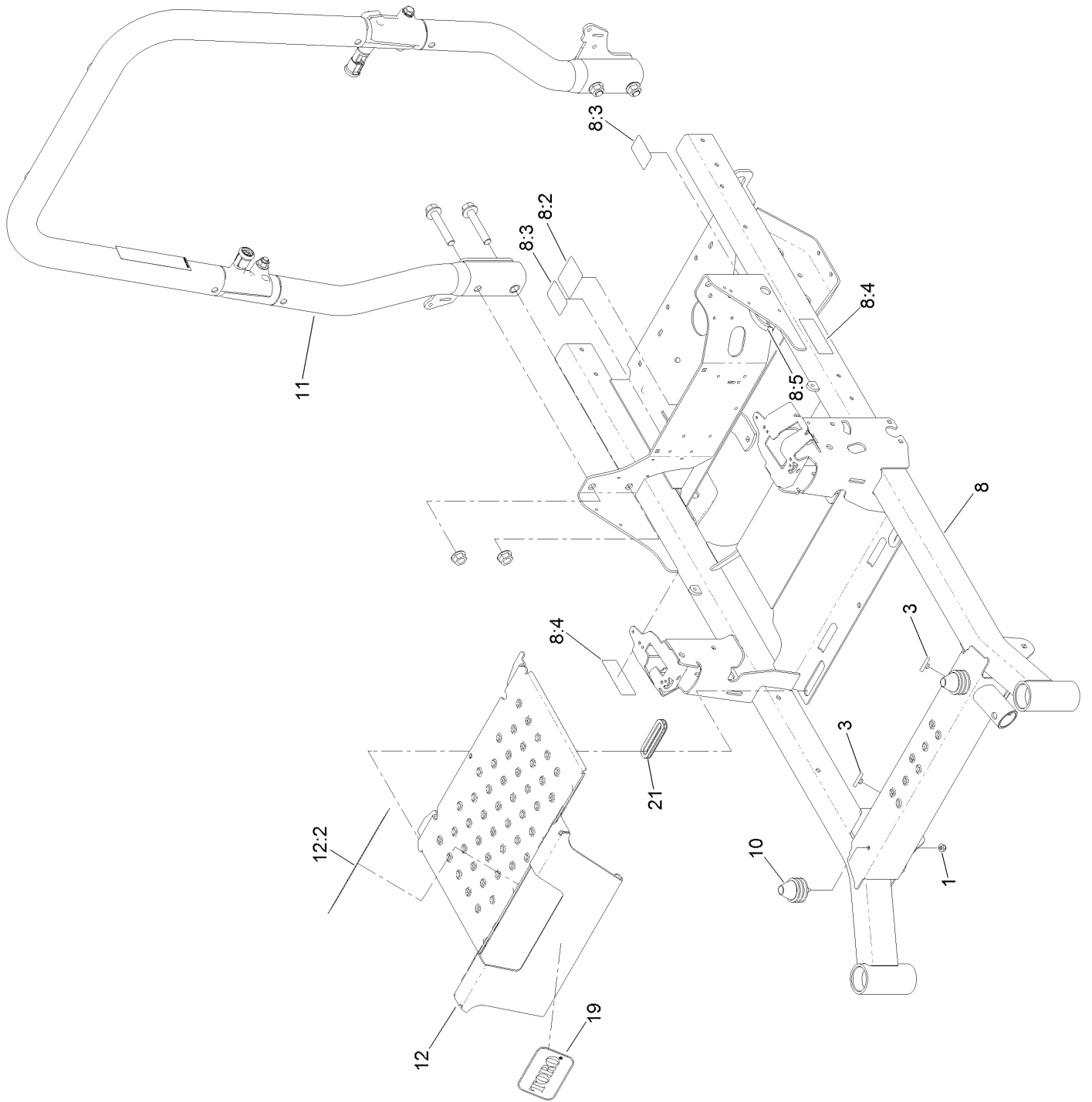
In an illustration, if a reference number indicates more than one part, the reference number has the form nX y. The n represents the quantity of the part, the X is the multiplication symbol, and the y represents the reference number.

For example, in an illustration, the reference number 2X 37 means that two of the parts identified by reference number 37 are indicated.

Contents

Frame and Roll-Over Protection System Assembly	4
Roll-Over Protection System Assembly No. 126-9526.....	6
Hydraulic Assembly	8
LH Transaxle Assembly No. 135-0140.....	10
RH Transaxle Assembly No. 135-0139	12
Control Console and Guard Assembly	14
Fuel Tank and Vent Hose System Assembly	16
Fuel Tank Assembly No. 126-4724	18
Seat Mount Assembly	20
Seat Latch Assembly	22
Seat Assembly No. 136-9014	24
Motion Control Assembly	26
RH Motion Control Assembly	28
LH Motion Control Assembly	30
Caster Wheel and Fork Assembly	32
Fork and Caster Wheel Assembly	34
Rear Wheel Assembly	36
Electrical Assembly	38
Wire Harness Assembly No. 126-5803.....	40
Deck Lift Assembly.....	42
Deck Strut Assembly No. 126-8365	44
Engine Assembly	46
Deck Assembly	48
Deck Decal Assembly No. 126-8956	50
Deflector Assembly No. 120-2451.....	52
Fuel System Assembly with Non-Canister Style Air Filter	54
Carburetor Assembly with Non-Canister Style Air Filter	56
Air Intake and Filtration Assembly with Non-Canister Style Air Filter	58
Ignition and Electrical Assembly	60
Crankcase and Crankshaft Assembly	62
Governor Control Assembly	64
Piston and Cylinder Head Assembly	66
Blower Housing Assembly	68
Gasket and Seal Kit	70
Attachments and Accessories	72

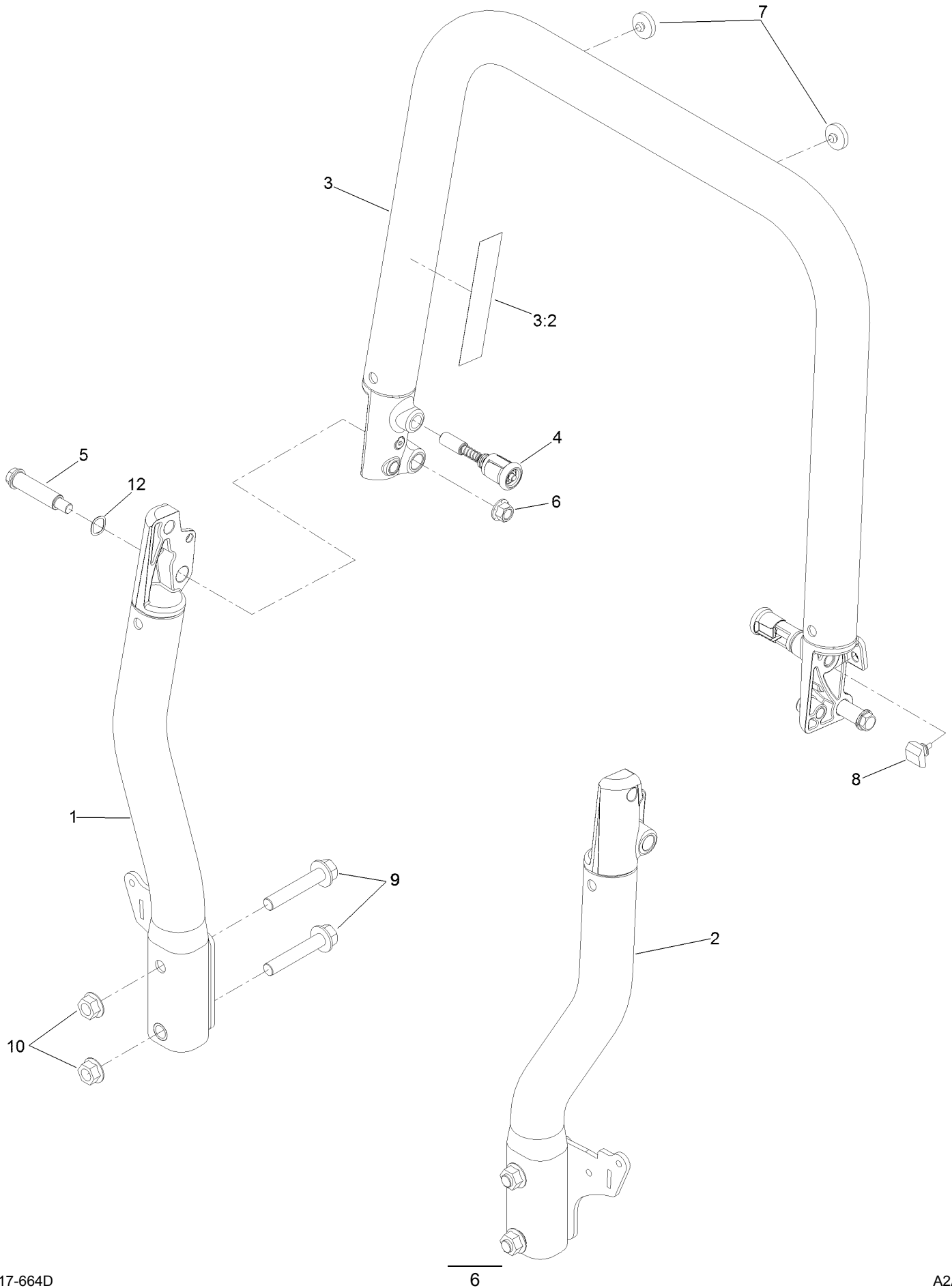
Frame and Roll-Over Protection System Assembly



Frame and Roll-Over Protection System Assembly (continued)

<i>Ref.</i>	<i>Part Number</i>	<i>Qty.</i>	<i>Description</i>	<i>Ref.</i>	<i>Part Number</i>	<i>Qty.</i>	<i>Description</i>
1	104-8300	2	Nut-HF, NI	10	126-5491	2	Isolator
3	109-9233	2	Bumper-Push-In, Rubber	11	126-9526	1	ROPS ASM
8	126-4699	1	Frame ASM	12	126-5872	1	Pan-Floor
8:2	109-6014	1	Decal-Routing, Belt	12:2	126-8383	1	Decal-Danger
8:3	116-8588	2	Decal-Release, Drive	19	67-1300	1	Decal
8:4	126-4363	2	Decal-Warning	21	126-7065	2	Grommet-Rubber
8:5	127-6618	1	Strip-Seal				

Roll-Over Protection System Assembly No. 126-9526

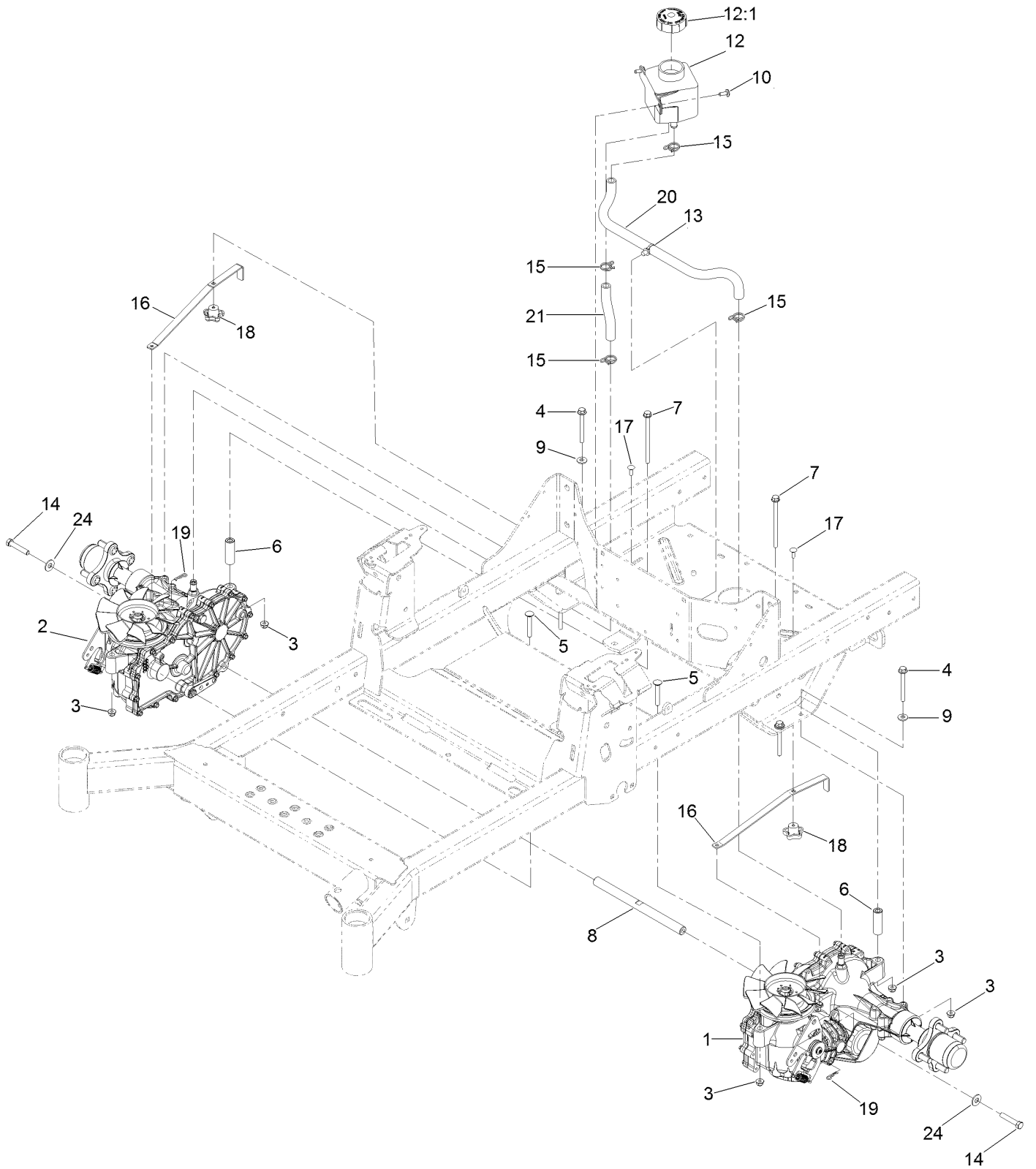


Roll-Over Protection System Assembly No. 126-9526 (continued)

<i>Ref.</i>	<i>Part Number</i>	<i>Qty.</i>	<i>Description</i>	<i>Ref.</i>	<i>Part Number</i>	<i>Qty.</i>	<i>Description</i>
1		1	Tube-Upright, RH ●	6	99-5107	2	Nut-Lock
2		1	Tube-Upright, LH ●	7	135-0504	2	Bumper-ROPS
3		1	Top Tube ASM ●	8	126-9966	2	Bumper-ROPS
3:2	107-3069	1	Decal-Warning	9	126-9488	4	Screw-HHF
4	116-0104	2	Pin-Spring	10	32128-50	4	Nut-Flange
5	126-9209	2	Bolt-Shoulder	12	119-4164	2	Washer-Wave

● Not serviced separately

Hydraulic Assembly

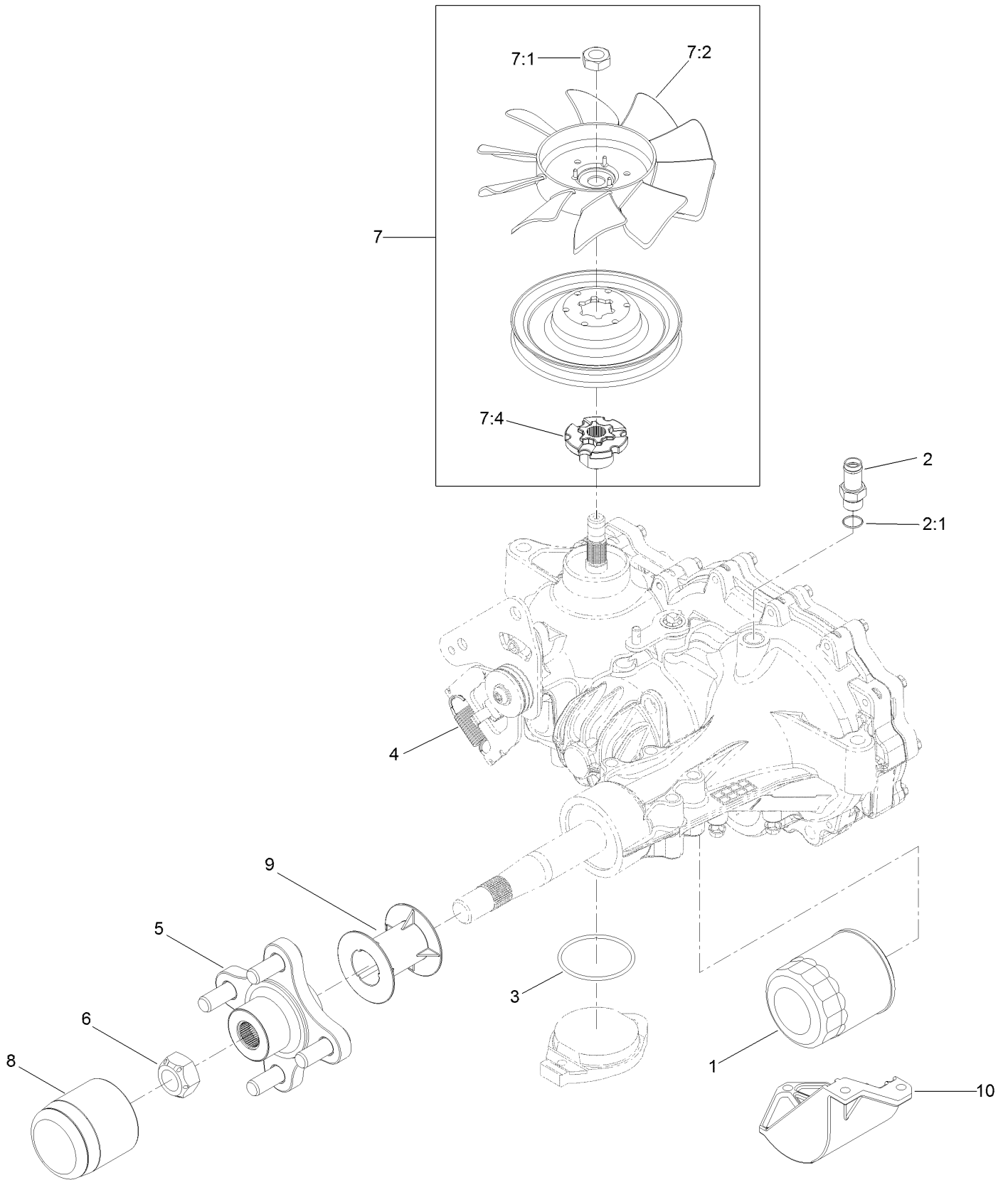


Hydraulic Assembly (continued)

<i>Ref.</i>	<i>Part Number</i>	<i>Qty.</i>	<i>Description</i>	<i>Ref.</i>	<i>Part Number</i>	<i>Qty.</i>	<i>Description</i>
1	135-0140	1	LH Transaxle ASM	12:1	109-3320	1	Cap-Reservoir, HYD
2	135-0139	1	RH Transaxle ASM	13	32180-118	1	Clip-Tie
3	104-8300	8	Nut-HF, NI	14	94-7972	2	Screw-HH W/Loctite ●
4	126-4687	4	Screw-HHF	15	126-0327	4	Clamp-Hose
5	3230-7	2	Bolt-CARR	16	109-5395	2	Arm-Bypass, Hydro
6	116-5809	2	Spacer-Hydro	17	3229-1	2	Screw-CARR
7	126-5896	2	Screw HHF	18	108-6402	2	Knob-Handle
8	116-6833	1	Shaft-Spacer	19	1-806003	2	Pin-Cotter
9	1-303334	4	Washer-Spring	20	126-5668	1	Hose-Hydraulic
10	126-6266	2	Screw-Tph	21	126-5669	1	Hose-Hydraulic
12	109-2250	1	Tank-HYD	24	3256-4	2	Washer-Flat

● Use Pro-Lock, Nut Type (P/N 1-840022, .5ml tube) on threads.

LH Transaxle Assembly No. 135-0140

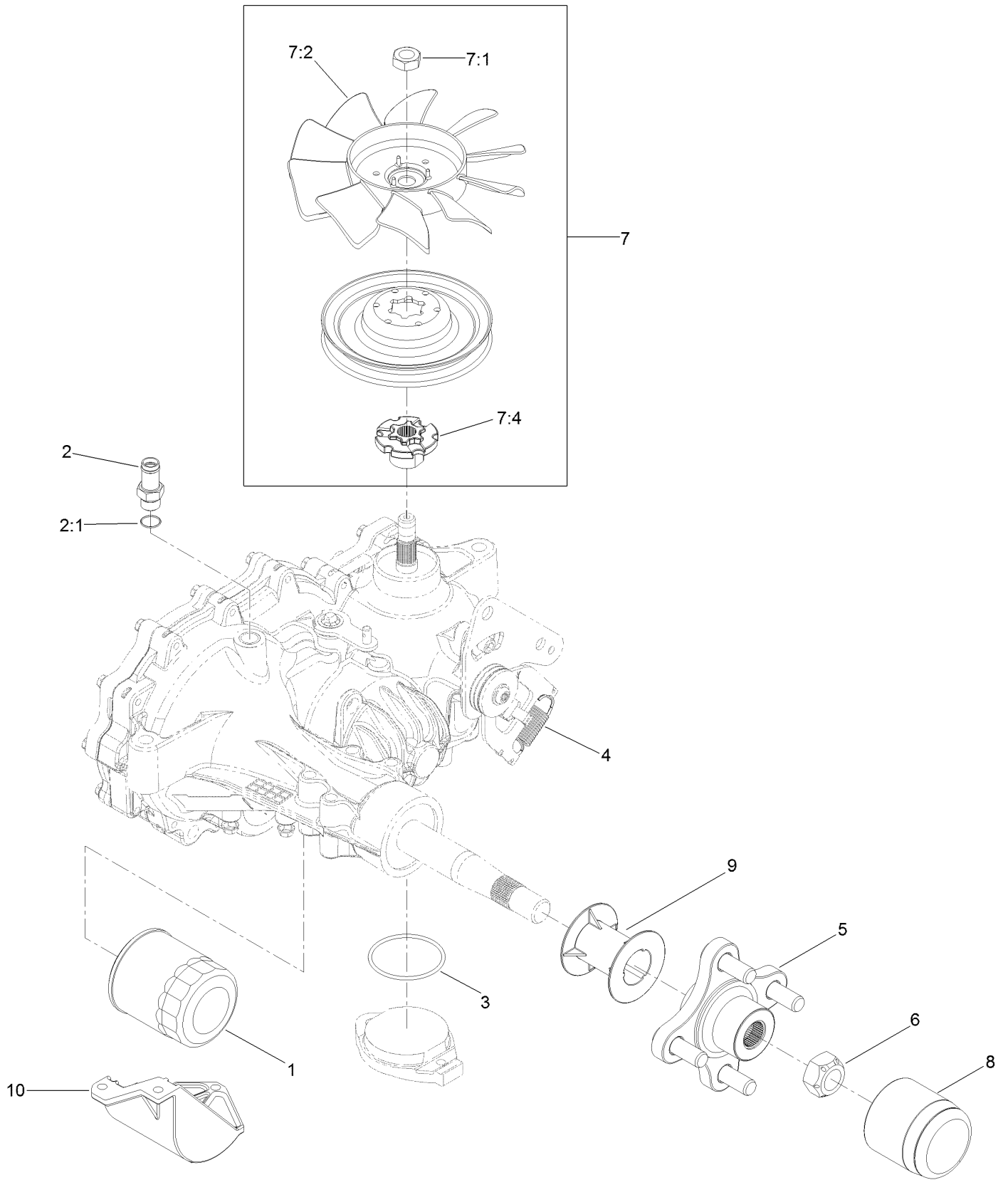


LH Transaxle Assembly No. 135-0140 (continued)

<i>Ref.</i>	<i>Part Number</i>	<i>Qty.</i>	<i>Description</i>	<i>Ref.</i>	<i>Part Number</i>	<i>Qty.</i>	<i>Description</i>
1	109-3321	1	Filter-Hydraulic	7:1	116-9714	1	Nut-HJ
2	109-3278	1	Adapter-Straight	7:2	126-0226	1	Fan
2:1	237-42	1	O-Ring	7:4	116-9705	1	Hub-Pulley
3	109-3540	1	O-Ring-Charge Seal Cover	8	116-6214	1	Cap-Axle, Long
4	109-5592	1	Spring	9	116-6213	1	Tube-Axle
5	116-3872	1	Hub-Offset	10	120-7979	1	Guard-Filter, LH
6	109-3536	1	Nut-Hub	99	109-3537	1	Seal Kit ●
7	125-0059	1	Fan And Pulley Kit	99	135-3604	1	Brake Shaft Seal Kit

● Not illustrated

RH Transaxle Assembly No. 135-0139

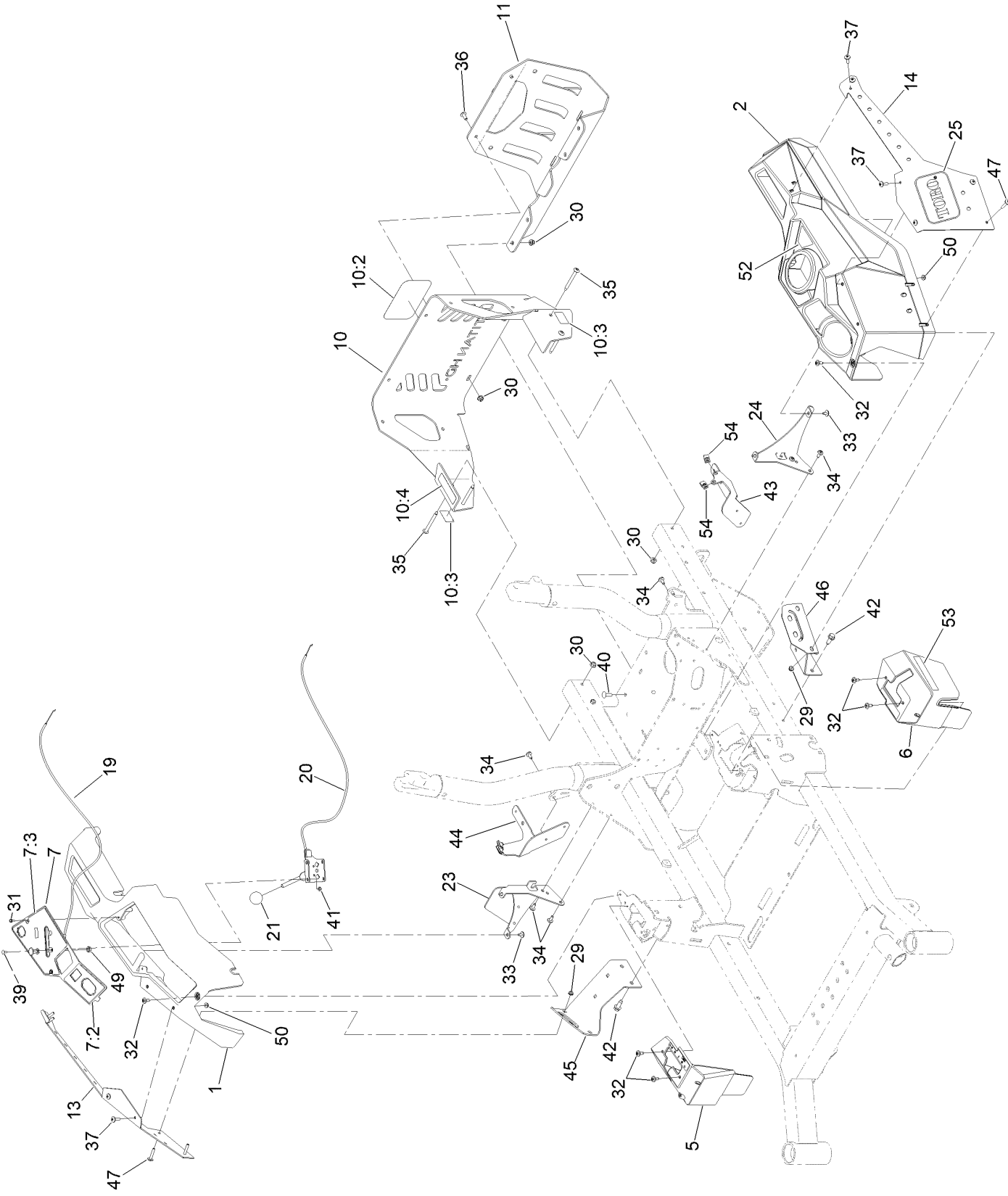


RH Transaxle Assembly No. 135-0139 (continued)

<i>Ref.</i>	<i>Part Number</i>	<i>Qty.</i>	<i>Description</i>	<i>Ref.</i>	<i>Part Number</i>	<i>Qty.</i>	<i>Description</i>
1	109-3321	1	Element-Oil Filter, HYD	7:1	116-9714	1	Nut-HJ
2	109-3278	1	Adapter-Straight	7:2	126-0226	1	Fan
2:1	237-42	1	O-Ring	7:4	116-9705	1	Hub-Pulley
3	109-3540	1	O Ring-Seal	8	116-6214	1	Cap-Axle, Long
4	109-5592	1	Spring-Extension	9	116-6213	1	Tube-Axle
5	116-3872	1	Hub-Offset	10	120-7981	1	Guard-Filter, RH
6	109-3536	1	Nut-Hub	99	109-3537	1	Seal Kit ●
7	125-0059	1	Fan And Pulley Kit	99	135-3604	1	Brake Shaft Seal Kit

● Not illustrated

Control Console and Guard Assembly



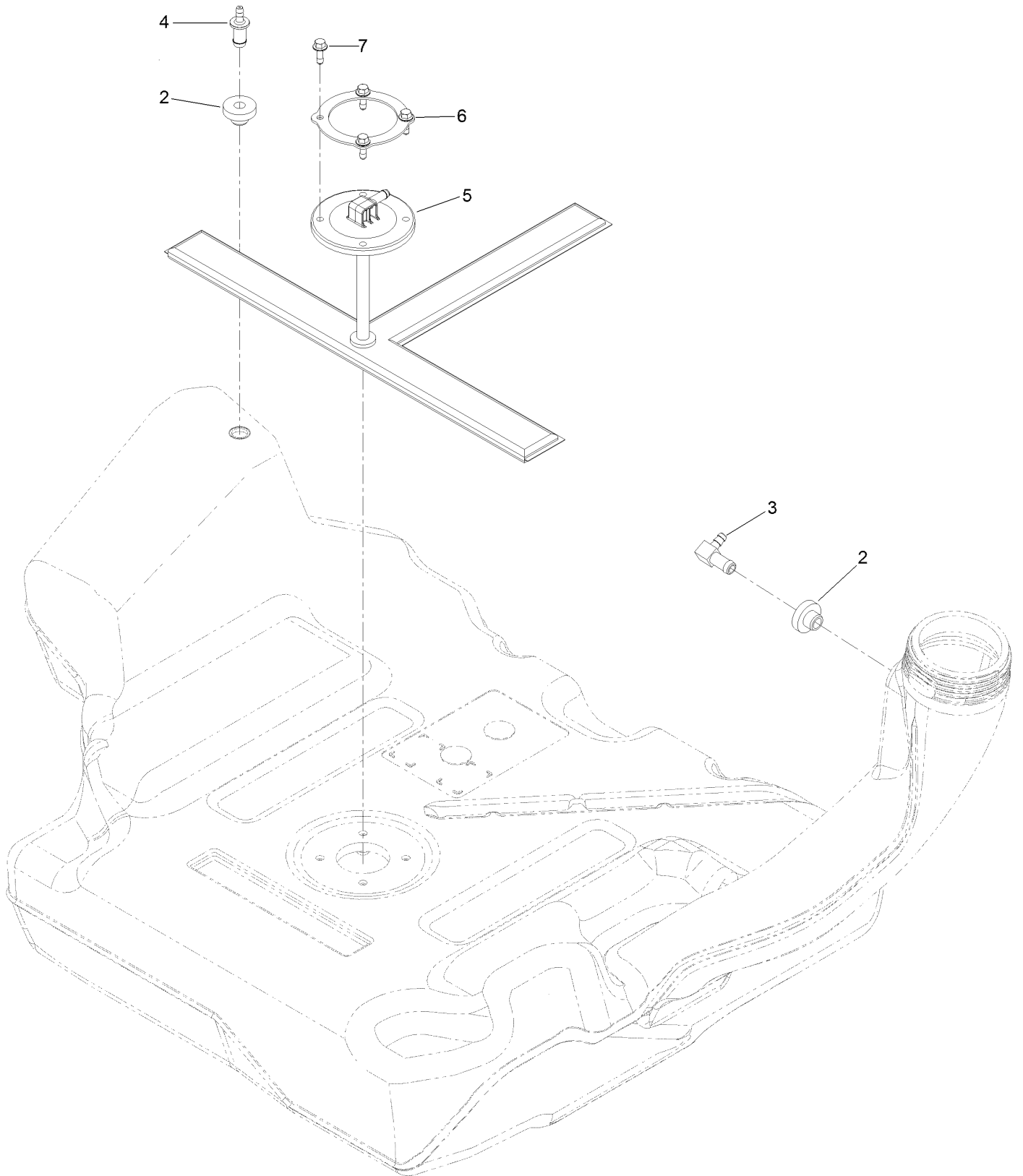
Control Console and Guard Assembly (continued)

<i>Ref.</i>	<i>Part Number</i>	<i>Qty.</i>	<i>Description</i>	<i>Ref.</i>	<i>Part Number</i>	<i>Qty.</i>	<i>Description</i>
1	126-4983	1	Console-RH	31	117-5036	2	Screw-Plastic, HWH
2	126-4984	1	Console-LH	32	120-7950	6	Screw-Torx
5	126-7371	1	Cover-Control, Motion (RH)	33	126-5544	4	Screw-Torx
6	126-7372	1	Cover-Control, Motion (LH)	34	126-6266	8	Screw-Tph
7	136-1673	1	Control Panel ASM	35	126-6267	4	Screw-TTH
7:2	126-9115	1	Decal-Panel, Control	36	126-6268	2	Screw-TTH
7:3	136-1305	1	Decal-Panel, Control	37	126-6269	8	Screw-Truss
10	126-7803	1	Rear Guard ASM	39	1-807513	4	Bolt-CARR
10:2	99-4693	1	Decal	40	3230-22	2	Screw-CARR
10:3	106-5517	2	Decal-Warning	41	3296-2	2	Nut-Lock, NI
10:4	117-2718	1	Decal-Arrester, Spark	42	126-1696	4	Screw-HWHTF
11	126-7664-03	1	Guard-Muffler	43	126-9808-03	1	Bracket-Support, Left Pod
13	136-1745-01	1	Cover-Pod, RH	44	126-9809-03	1	Bracket-Support, Right Pod
14	136-1746-01	1	Cover-LH	45	136-9030-01	1	Bracket-Support, Pod (RH)
19	126-7009	1	Cable-Control, Choke	46	136-9029-01	1	Bracket-Support, Pod (LH)
20	126-7008	1	Cable-Control, Throttle	47	126-8232	4	Screw-Truss Hex Skt
21	1-603175	1	Knob-Ball	49	3220-3	1	Nut-HJ
23	126-9945	1	Support-Console, RH	50	32149-2	4	Nut-Keps
24	126-5532-03	1	Bracket-Console, LH	52	126-9939	1	Decal-Fill, Fuel
25	68-3640	2	Decal	53	126-9298	2	Decal
29	104-7201	4	Nut-HF, NI	54	126-3739	4	Nut-Retainer
30	104-8300	8	Nut-HF, NI				

Fuel Tank and Vent Hose System Assembly (continued)

<i>Ref.</i>	<i>Part Number</i>	<i>Qty.</i>	<i>Description</i>	<i>Ref.</i>	<i>Part Number</i>	<i>Qty.</i>	<i>Description</i>
5	126-8738	1	Vent Hose ASM	7:3	1-603770	1	Valve-Fuel
5:3	116-4769	1	Decal-Filter, Emissions	7:4	2412-98	4	Clamp-Hose
5:7	120-2235	1	Filter-Fuel	8	126-4723	1	Cap-Fuel
7	126-8740	1	Fuel Hose ASM	9	126-4724	1	Tank-Fuel
7:1	109-0302	1	Hose-Fuel	10	126-5523	3	Clip
7:2	109-0678	1	Hose-Fuel	17	1-303287	1	Tie-Cable

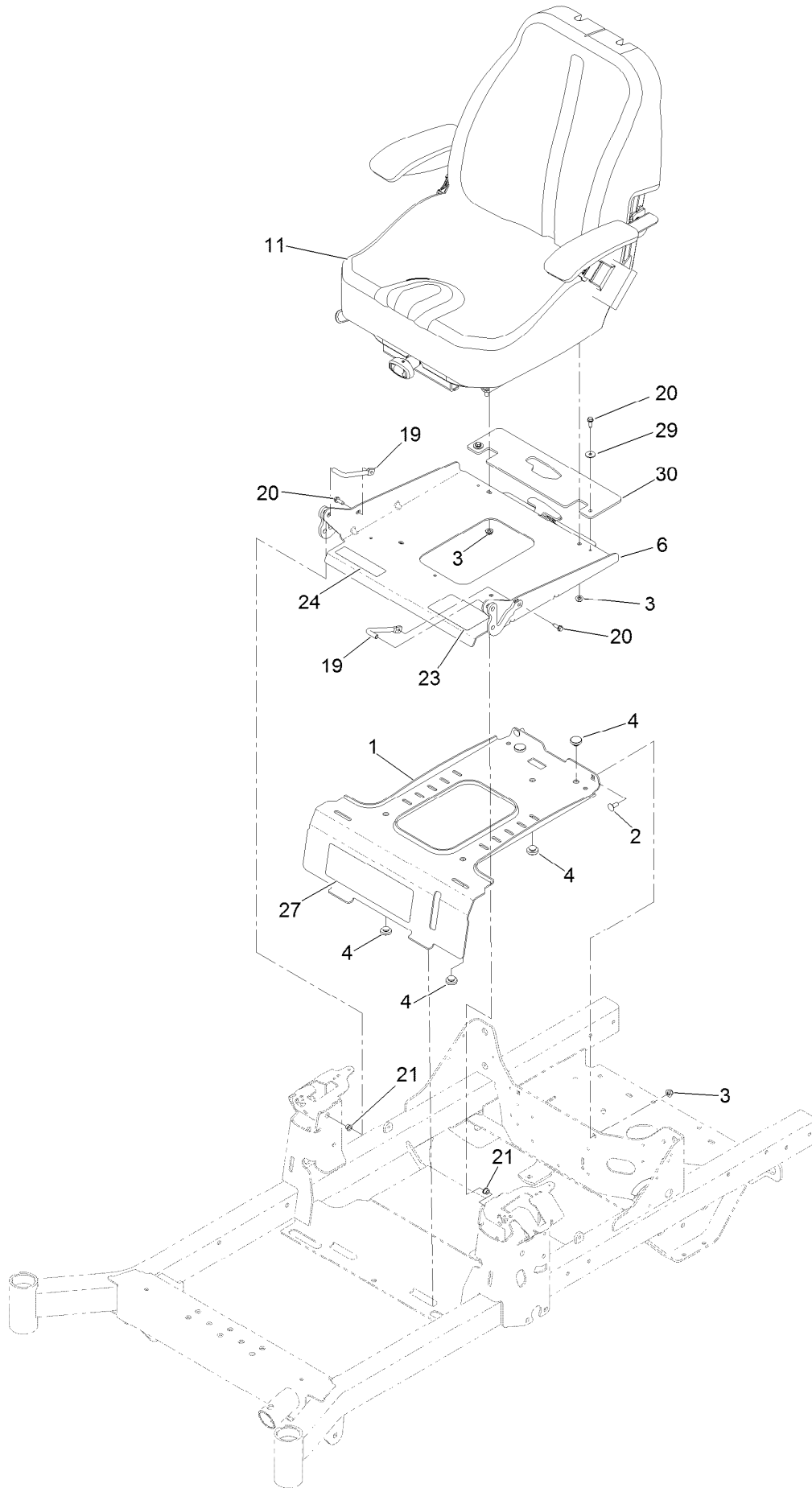
Fuel Tank Assembly No. 126-4724



Fuel Tank Assembly No. 126-4724 (continued)

<i>Ref.</i>	<i>Part Number</i>	<i>Qty.</i>	<i>Description</i>	<i>Ref.</i>	<i>Part Number</i>	<i>Qty.</i>	<i>Description</i>
2	46-6560	2	Bushing	5	126-5528	1	Pickup-Fuel
3	126-9057	1	Fitting-90 DEG	6	126-5527	1	Ring-Retainer
4	116-4630	1	Fitting-Orifice, Straight	7	126-5525	4	Bolt

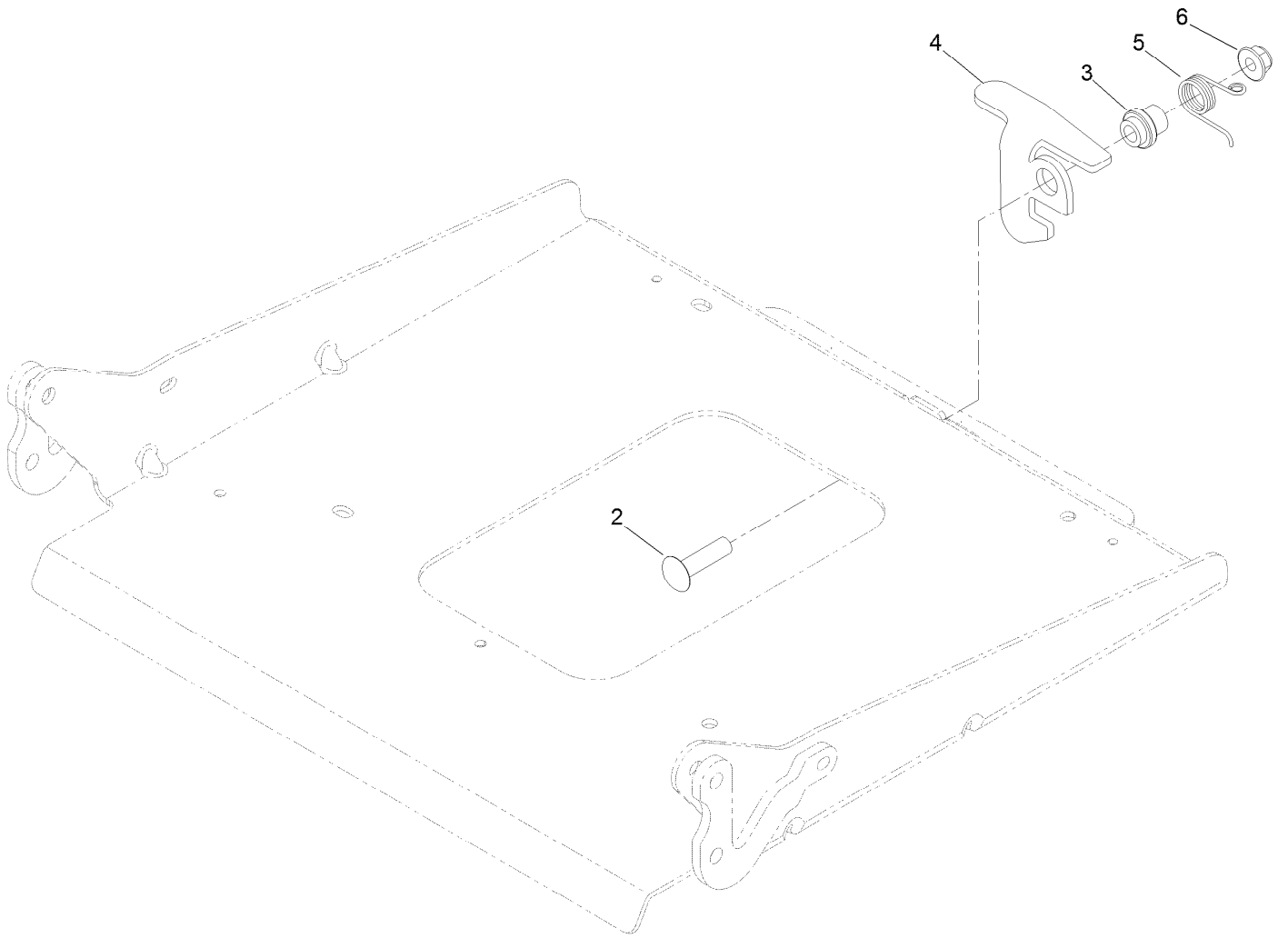
Seat Mount Assembly



Seat Mount Assembly (continued)

<i>Ref.</i>	<i>Part Number</i>	<i>Qty.</i>	<i>Description</i>	<i>Ref.</i>	<i>Part Number</i>	<i>Qty.</i>	<i>Description</i>
1	126-4082-03	1	Plate-Retainer, Tank	20	32144-44	4	Screw-HWH, Thread Roll
2	3230-23	2	Bolt-CARR	21	1-603735	2	Bushing-Flanged
3	104-8300	6	Nut-HF, NI	23	126-8151	1	Decal-Aid, Service
4	135-0505	5	Bumper-Seat	24	126-8161	1	Decal-Latch, Seat
6	126-7309	1	Seat Pan And Latch ASM	27	126-9273	1	Decal
11	136-9014	1	Seat ASM	29	3256-67	2	Washer
19	126-5914	2	Pin-Pivot, Seat	30	135-0214	1	Guard-Seat, Rubber

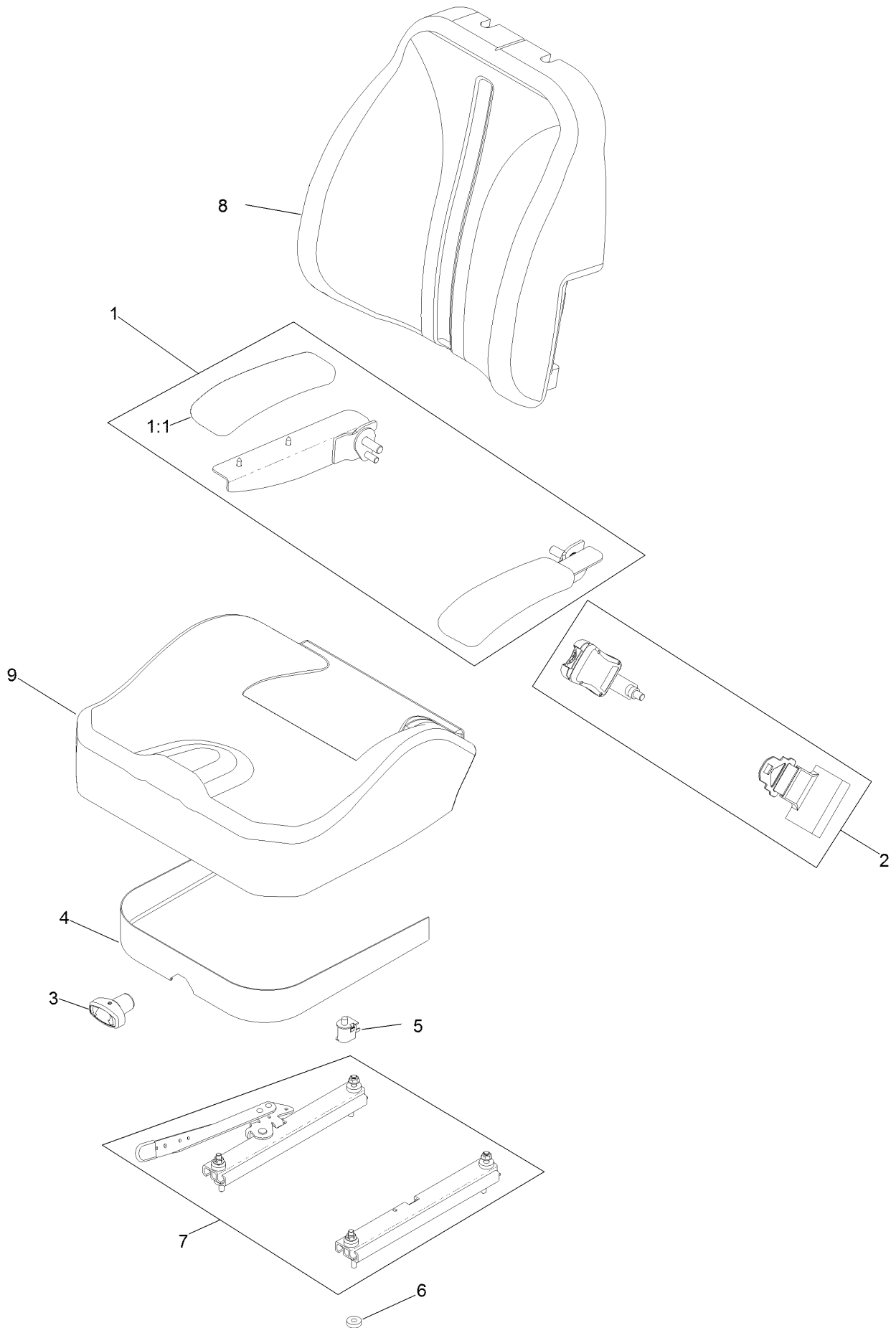
Seat Latch Assembly



Seat Latch Assembly (continued)

<i>Ref.</i>	<i>Part Number</i>	<i>Qty.</i>	<i>Description</i>	<i>Ref.</i>	<i>Part Number</i>	<i>Qty.</i>	<i>Description</i>
2	3231-26	1	Screw-CARR	5	126-8923	1	Spring-Torsion, Latch
3	107-0075	1	Bushing-Latch, Seat	6	104-8301	1	Nut-HF, NI
4	126-6739	1	Latch-Catch, Single				

Seat Assembly No. 136-9014

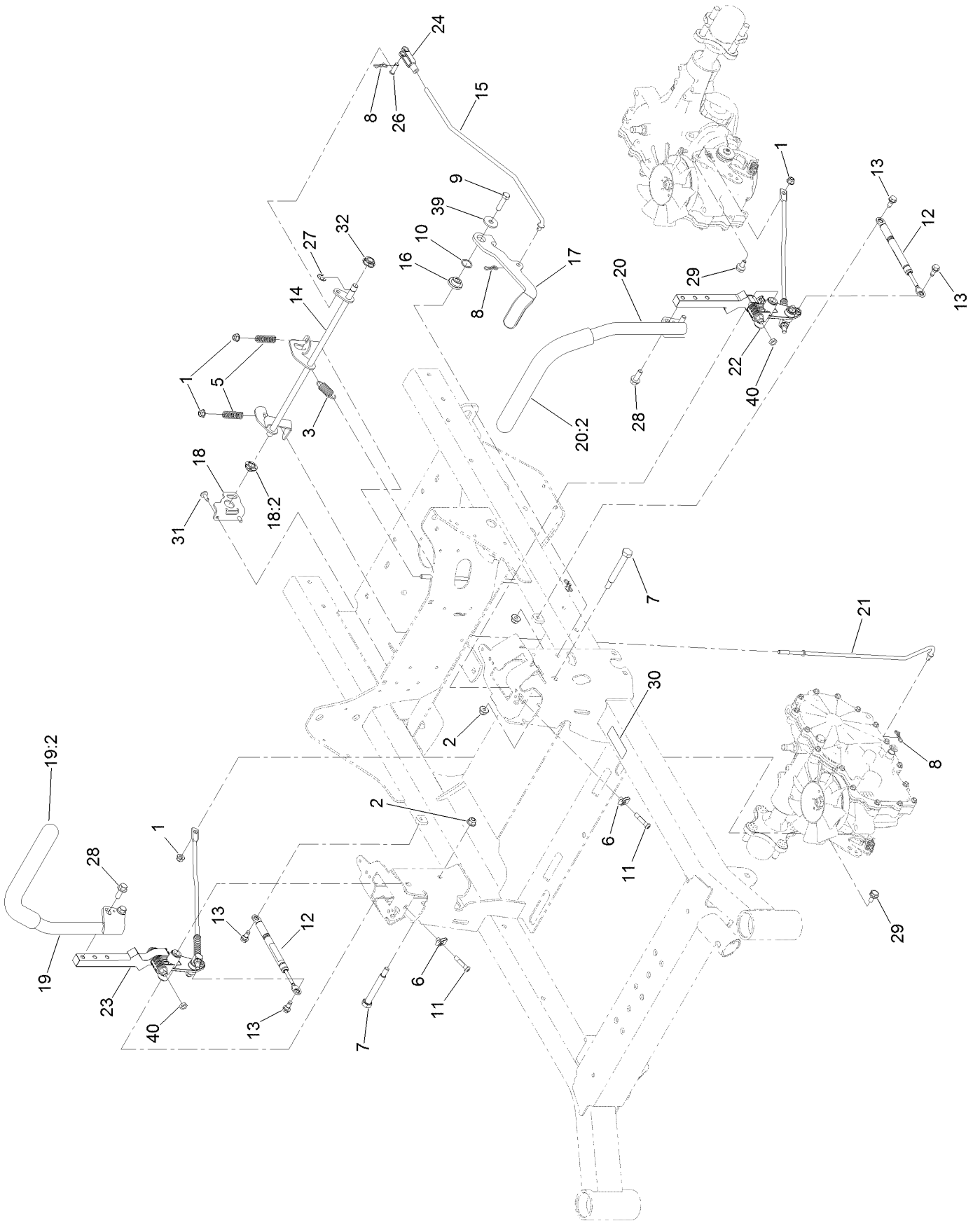


Seat Assembly No. 136-9014 (continued)

<i>Ref.</i>	<i>Part Number</i>	<i>Qty.</i>	<i>Description</i>
1	126-2058	1	Armrest Kit
1:1	110-4163	2	Cushion-Rest, Arm
2	130-0845	1	Seat Belt Kit
3	130-0846	1	Knob-Adjuster
4	126-3506	1	Cover-Skirt W/Fasteners

<i>Ref.</i>	<i>Part Number</i>	<i>Qty.</i>	<i>Description</i>
5	82-2190	1	Switch-Bail
6	26-4840	4	Spacer-Pin, Mounting
7	130-0844	1	Track Set
8	136-9019	1	Cover-Back, Seat
9	136-9020	1	Cover-Bottom, Seat

Motion Control Assembly

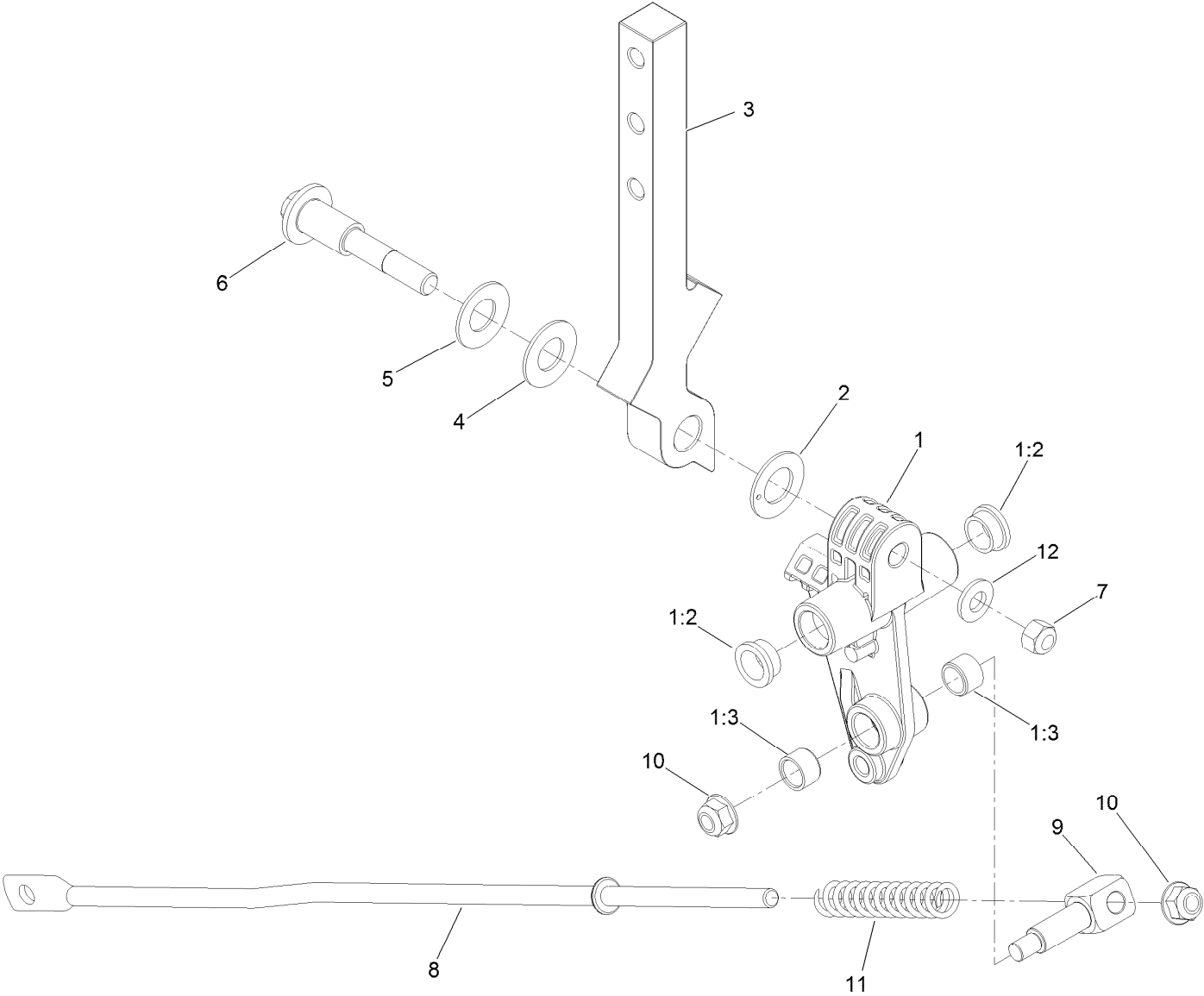


Motion Control Assembly (continued)

<i>Ref.</i>	<i>Part Number</i>	<i>Qty.</i>	<i>Description</i>	<i>Ref.</i>	<i>Part Number</i>	<i>Qty.</i>	<i>Description</i>
1	104-8300	4	Nut-HF, NI	19	126-9191	1	RH Control Handle ASM
2	104-8301	3	Nut-HF, NI	19:2	126-7359	1	Grip
3	107-1045	1	Spring-Extension	20	126-9192	1	LH Control Handle ASM
5	109-7694	2	Spring-Compression	20:2	126-7359	1	Grip
6	112-3306	2	Nut	21	126-7217	2	Linkage-Brake, Lower
7	115-5099	2	Bolt-Pivot	22		1	LH Motion Control ASM ●
8	119-1415	4	Pin-Cotter, Locking	23		1	RH Motion Control ASM ●
9	323-8	1	Screw-HH	24	1-303105	1	Yoke-Adjustable
10	119-4164	1	Washer-Wave	26	1-808280	1	Pin-Clevis
11	126-4299	2	Screw-HSBH	27	32120-47	1	Ring-Retaining, External
12	126-4322	2	Damper	28	3234-42	4	Screw-HHF
13	126-4424	4	Screw-Shoulder	29	37-8771	2	Bolt-Shoulder, HF
14	126-5813	1	Shaft-Brake	30	115-9625	1	Decal-Brake, Parking
15	126-5819	1	Linkage-Brake, Upper	31	126-6266	2	Screw-Tph
16	126-5989	1	Pivot-Flange	32	126-5820	1	Bearing-Spherical
17	126-9490	1	Lever-Brake (With Grip)	39	2844	1	Washer
18	126-6456	1	Bracket-Brake	40	3218-3	2	Nut-Jam
18:2	126-5820	1	Bearing-Spherical				

● Not serviced separately

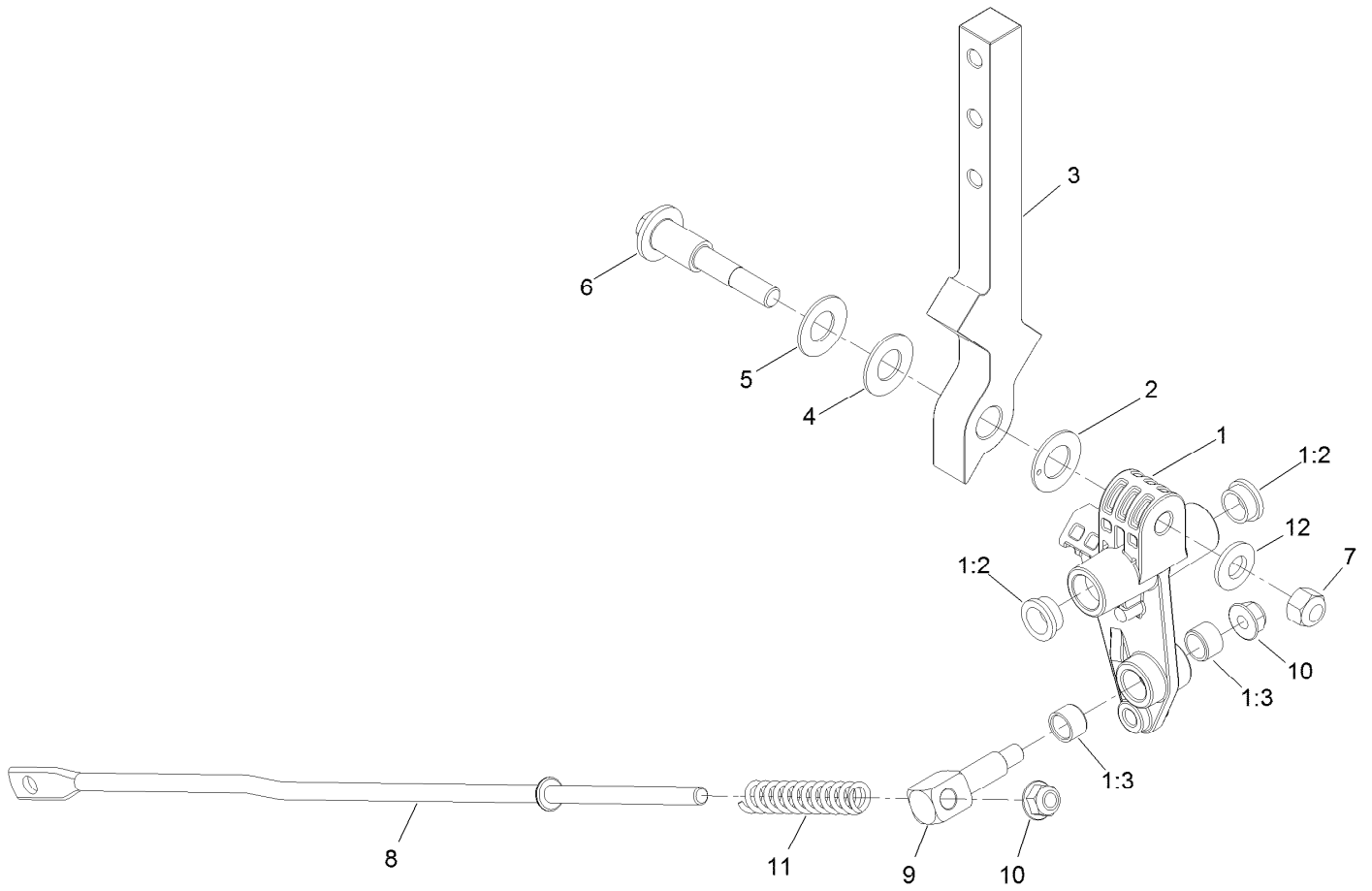
RH Motion Control Assembly



RH Motion Control Assembly (continued)

<i>Ref.</i>	<i>Part Number</i>	<i>Qty.</i>	<i>Description</i>	<i>Ref.</i>	<i>Part Number</i>	<i>Qty.</i>	<i>Description</i>
1	126-3773	1	Control Arm ASM	6	117-1198	1	Bolt-Pivot
1:2	126-8909	2	Bushing	7	32152-2	1	Nut-Lock, Cone
1:3	1-413152	2	Bushing-Sleeve	8	126-5435	1	Link-Control
2	126-7296	1	Washer-Friction	9	126-5434	1	Swivel
3	126-8182	1	Arm-Control	10	104-8300	2	Nut-HF, NI
4	117-1240	1	Washer	11	126-8195	1	Spring-Return, Neutral
5	119-8925	1	Washer-Belleville	12	3256-24	1	Washer-Plain

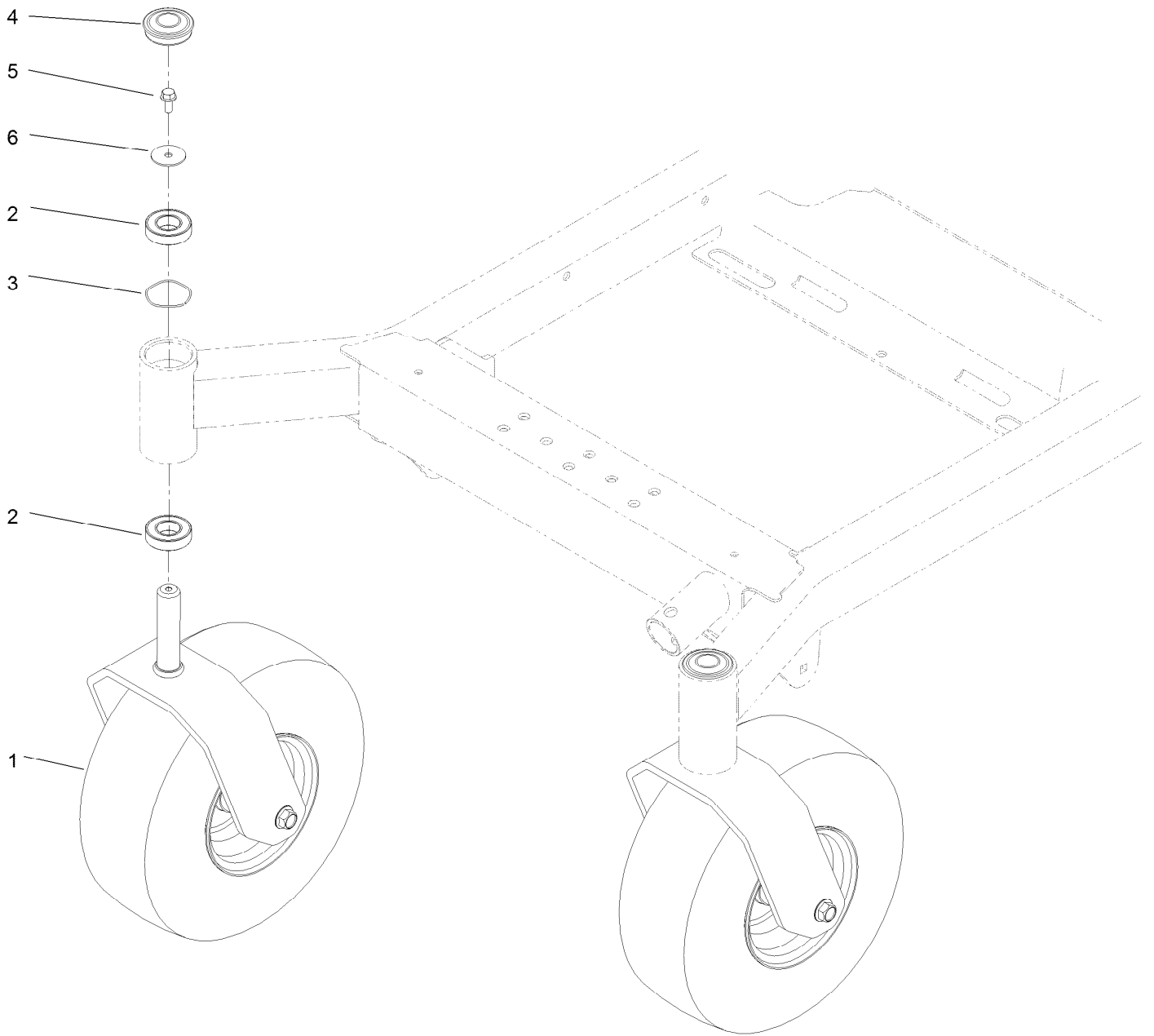
LH Motion Control Assembly



LH Motion Control Assembly (continued)

<i>Ref.</i>	<i>Part Number</i>	<i>Qty.</i>	<i>Description</i>	<i>Ref.</i>	<i>Part Number</i>	<i>Qty.</i>	<i>Description</i>
1	126-3773	1	Control Arm ASM	6	117-1198	1	Bolt-Pivot
1:2	126-8909	2	Bushing	7	32152-2	1	Nut-Lock, Cone
1:3	1-413152	2	Bushing-Sleeve	8	126-5435	1	Link-Control
2	126-7296	1	Washer-Friction	9	126-5434	1	Swivel
3	126-8182	1	Arm-Control	10	104-8300	2	Nut-HF, NI
4	117-1240	1	Washer	11	126-8195	1	Spring-Return, Neutral
5	119-8925	1	Washer-Belleville	12	3256-24	1	Washer-Plain

Caster Wheel and Fork Assembly

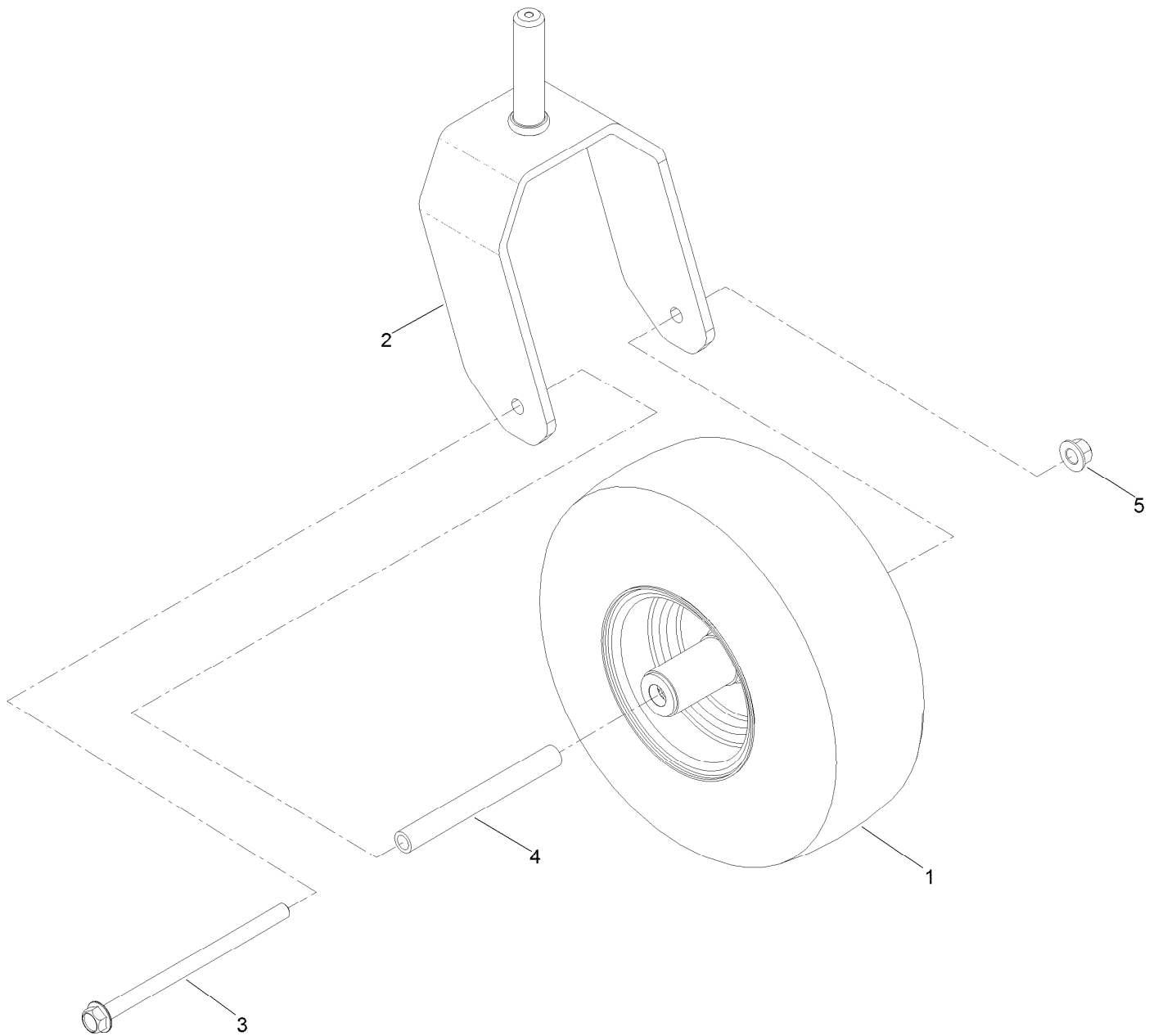


Caster Wheel and Fork Assembly (continued)

<i>Ref.</i>	<i>Part Number</i>	<i>Qty.</i>	<i>Description</i>	<i>Ref.</i>	<i>Part Number</i>	<i>Qty.</i>	<i>Description</i>
1		2	Front Caster ASM (W/Fork) ●	4	116-4348	2	Cap-Grease
2	109-3678	4	Bearing-Ball	5	3234-5	2	Screw-HHF
3	126-5897	2	Spring	6	3256-68	2	Washer-Flat

● Not serviced separately

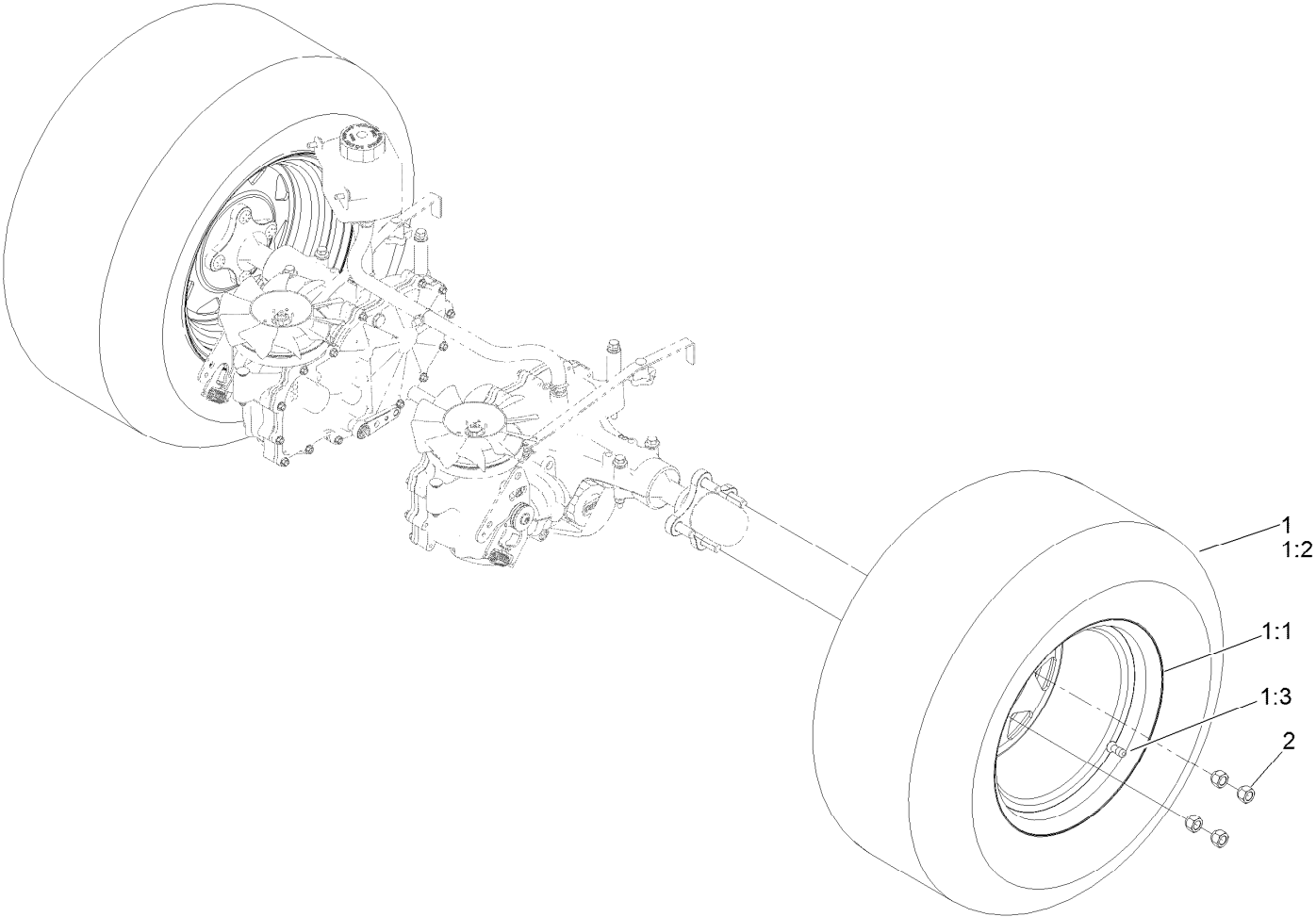
Fork and Caster Wheel Assembly



Fork and Caster Wheel Assembly (continued)

<i>Ref.</i>	<i>Part Number</i>	<i>Qty.</i>	<i>Description</i>	<i>Ref.</i>	<i>Part Number</i>	<i>Qty.</i>	<i>Description</i>
1	126-7592	1	Wheel And Tire ASM	4	127-0068	1	Spanner-Wheel, Caster
2	126-4312-01	1	Fork-Caster	5	99-5107	1	Nut-Lock
3	126-5389	1	Screw-HHF				

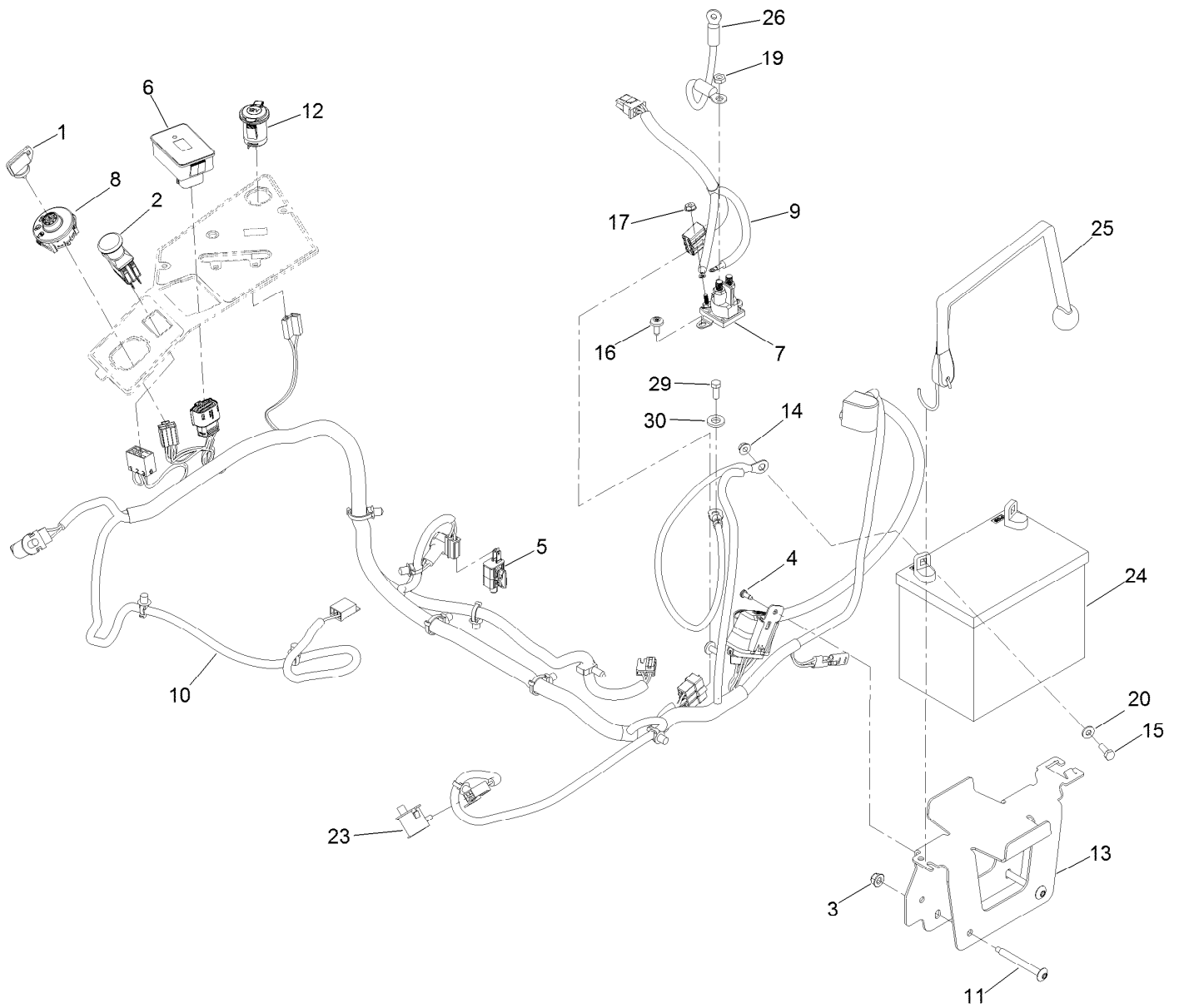
Rear Wheel Assembly



Rear Wheel Assembly (continued)

<i>Ref.</i>	<i>Part Number</i>	<i>Qty.</i>	<i>Description</i>	<i>Ref.</i>	<i>Part Number</i>	<i>Qty.</i>	<i>Description</i>
1	126-3280	2	Wheel And Tire ASM	1:3	232-27	1	Stem-Valve
1:1	126-9074	1	Wheel	2	242-50	8	Nut-Lug
1:2	120-3271	1	Tire				

Electrical Assembly



Electrical Assembly (continued)

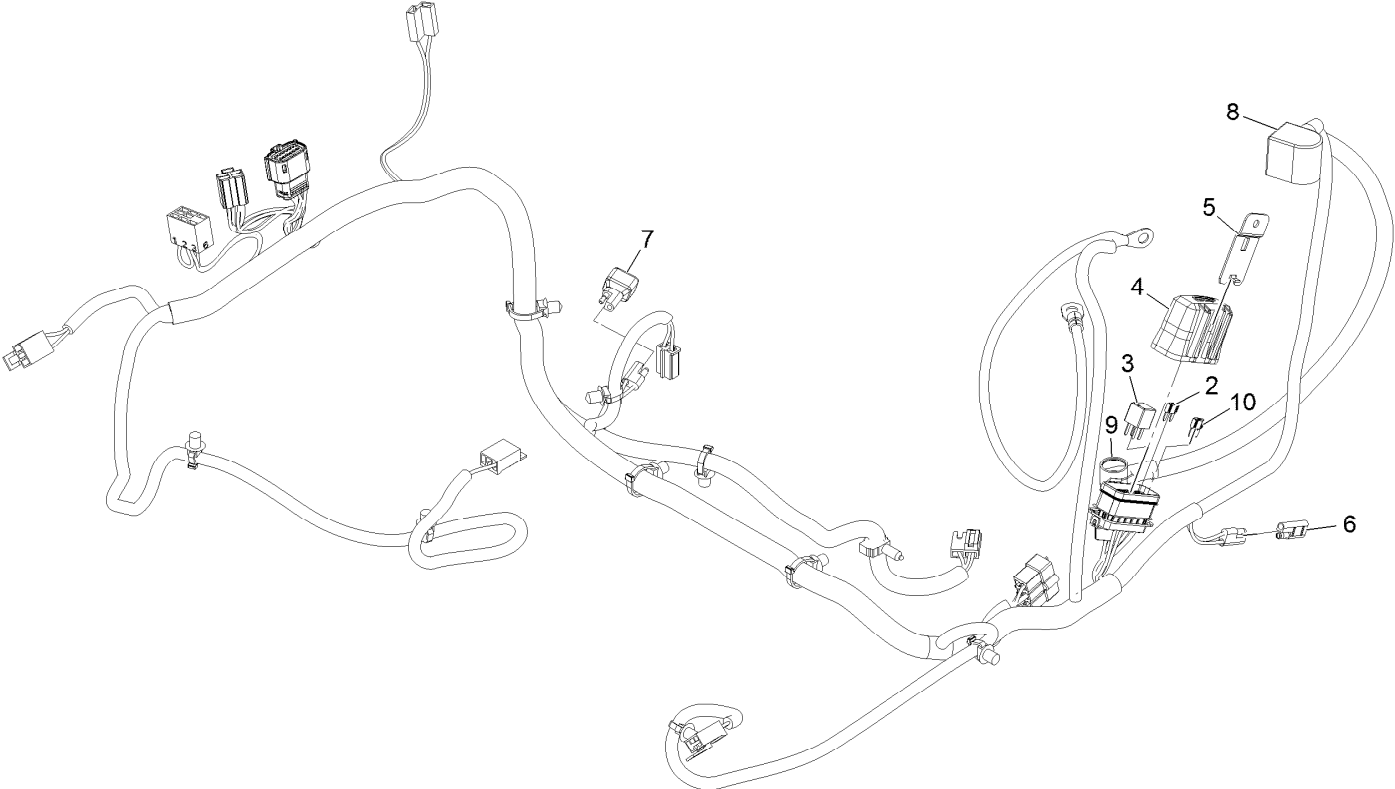
<i>Ref.</i>	<i>Part Number</i>	<i>Qty.</i>	<i>Description</i>	<i>Ref.</i>	<i>Part Number</i>	<i>Qty.</i>	<i>Description</i>
1	63-8360	1	Key-Ignition	14	32128-33	2	Nut-HF
2	103-5221	1	Switch-PTO	15	321-4	2	Screw-HH
3	104-8300	2	Nut-HF, NI	16	126-6266	2	Screw-Tph
4	105-6849	1	Screw-Forming, Thread	17	32149-8	2	Nut-Keps
5	110-6765	1	Switch	19	3220-2	1	Nut-Jam
6	116-5609	1	Module ASM	20	3256-22	2	Washer-Flat
7	117-1197	1	Solenoid	23	82-2190	2	Switch-Bail
8	137-4100	1	Switch-Ignition	24		1	Battery (300 CCA, Wet) ●■
9	126-5036	1	Adapter-Harness, Wire	25	126-7627	1	Strap-Bungee
10	126-5803	1	Harness-Wire ▲	26	100-3540	1	Cable-Battery, Positive
11	126-6267	2	Screw-TTH	29	135-2868	1	Screw-HH
12	126-6499	1	Port-Power, 12V	30	3256-23	1	Washer-Plain
13	126-6725-03	1	Tray-Battery				

● Obtain locally.

■ Not serviced separately

▲ Use dielectric grease on all unsealed connectors and terminals only. Do not apply in sealed connectors.

Wire Harness Assembly No. 126-5803

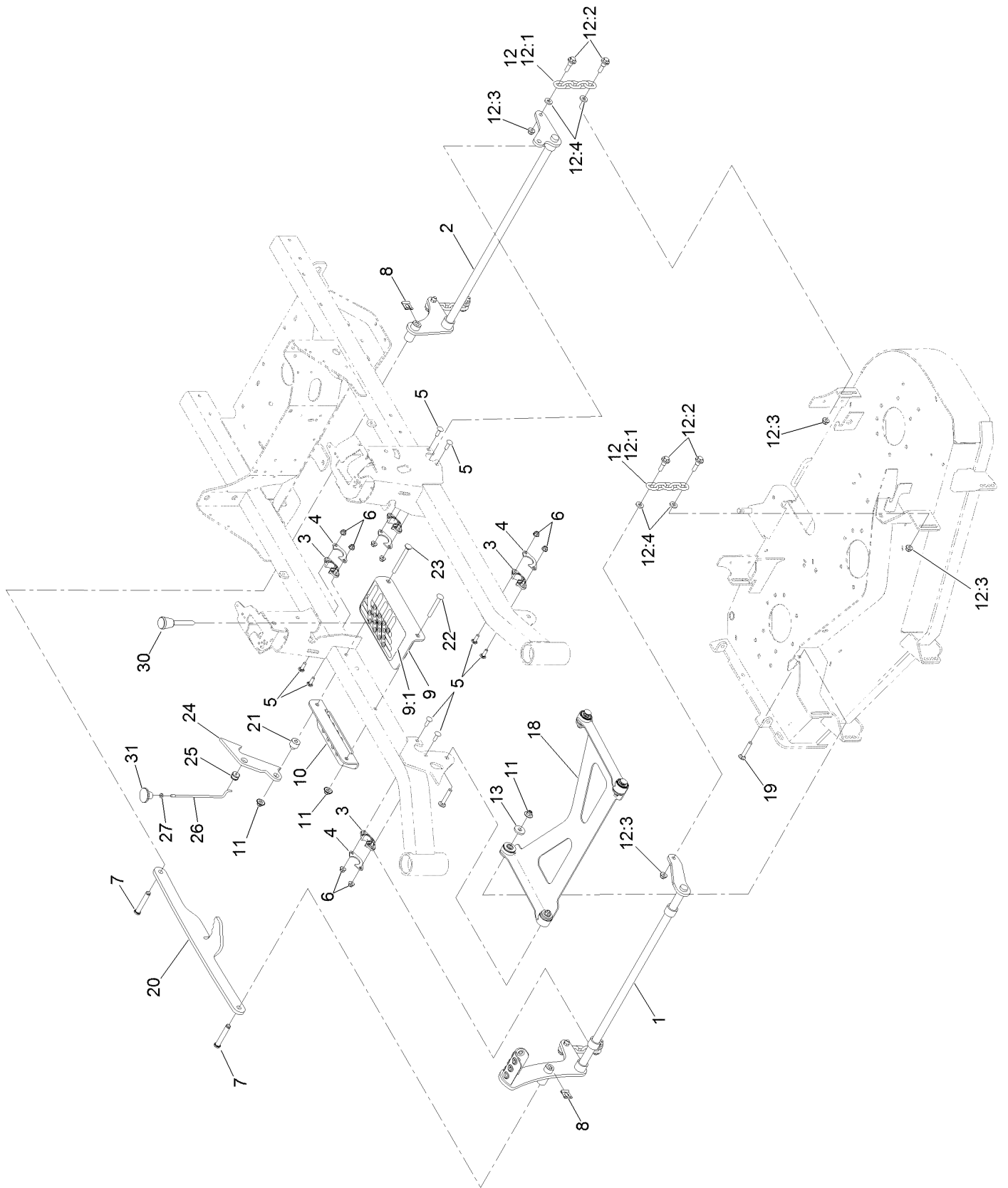


Wire Harness Assembly No. 126-5803 (continued)

<i>Ref.</i>	<i>Part Number</i>	<i>Qty.</i>	<i>Description</i>
2	121-8868	1	Fuse-Mini Blade, 20 Amp
3	126-3991	1	Relay-Micro
4	32180-176	1	Cover-Block, Fuse
5	32180-177	1	Clip-Mounting
6	116-0053	1	Cap-Plug

<i>Ref.</i>	<i>Part Number</i>	<i>Qty.</i>	<i>Description</i>
7	103-3895	1	Diode
8	126-8876	1	Insulator-Battery
9	1-543393	1	Insulator-Solenoid
10	121-8867	1	Fuse-Mini Blade, 15 Amp

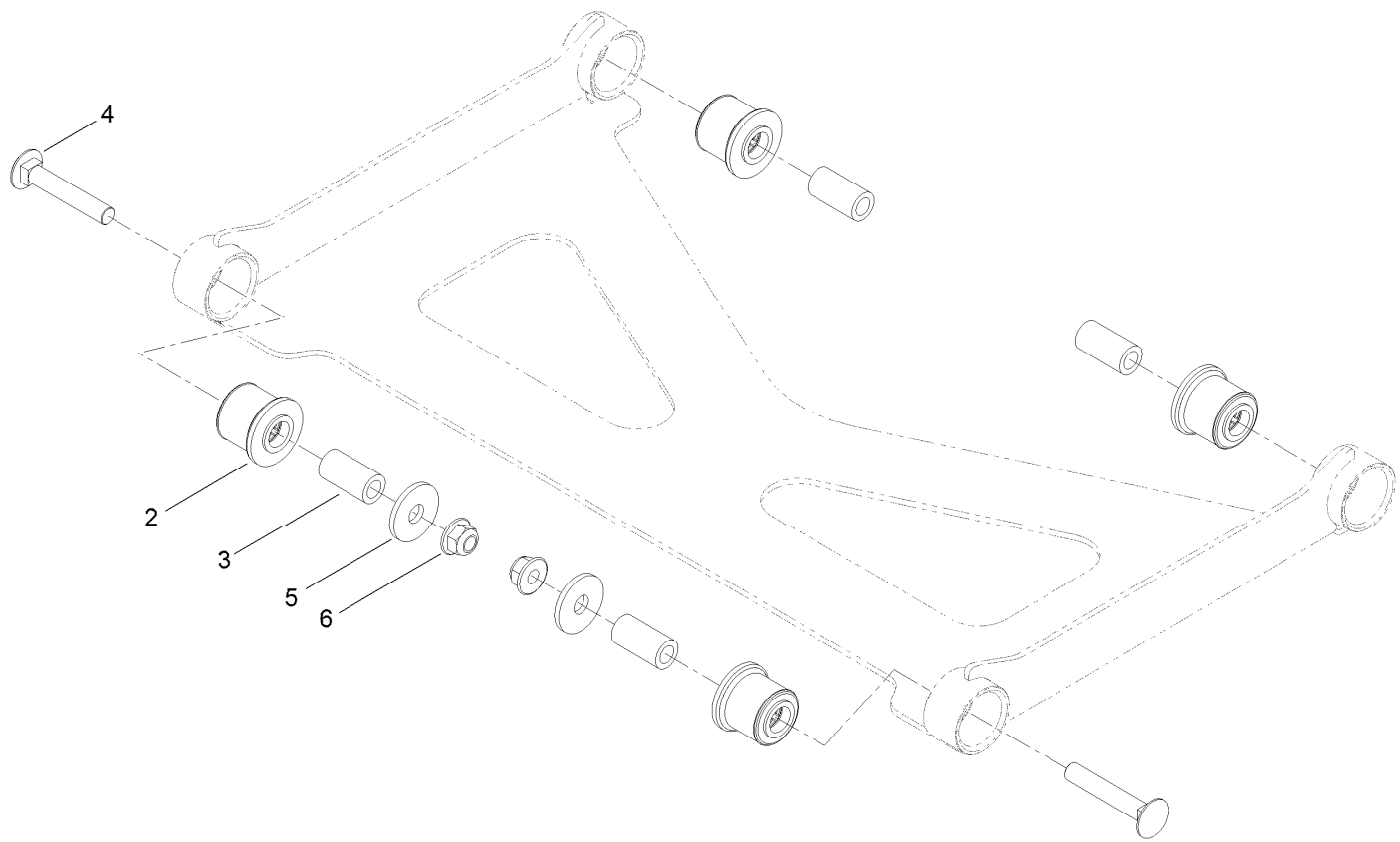
Deck Lift Assembly



Deck Lift Assembly (continued)

<i>Ref.</i>	<i>Part Number</i>	<i>Qty.</i>	<i>Description</i>	<i>Ref.</i>	<i>Part Number</i>	<i>Qty.</i>	<i>Description</i>
1	126-3342-03	1	Shaft-Lift, Deck	12:3	104-8301	2	Nut-HF, NI
2	126-3343-03	1	Shaft-Lift, Deck (Rear)	12:4	43-0940	2	Spacer
3	115-5065	4	Bushing-Flange	13	1-373034	2	Washer
4	116-2887	4	Gusset-Lift, Deck	18	126-8365	1	Deck Strut ASM
5	3230-22	8	Screw-CARR	19	3231-7	2	Screw-CARR
6	104-8300	8	Nut-HF, NI	20	126-4639-03	1	Link-HOC
7	126-9181	2	Pin-Clevis	21	126-5221	1	Spacer-Stepped
8	95-4064	2	Clip-Pin	22	3231-42	1	Screw-CARR
9	126-4535	1	Bracket ASM	23	135-0313	1	Screw-CARR
9:1	126-4784	1	Decal-HOC	24	126-5222	1	Plate-Lock, Transport
10	126-4640-03	1	Angle-HOC, Lower	25	126-5593	1	Grommet
11	109-6658	4	Nut-Flange, NI	26	126-5223	1	Rod-Lock, Transport
12	126-8877	4	Deck Chain ASM	27	3218-1	1	Nut-Jam
12:1	1-633447	1	Chain-Lift, Deck	30	126-5401	1	Pin-HOC
12:2	130-0742	2	Bolt-Shoulder	31	126-7019	1	Knob

Deck Strut Assembly No. 126-8365



Deck Strut Assembly No. 126-8365 (continued)

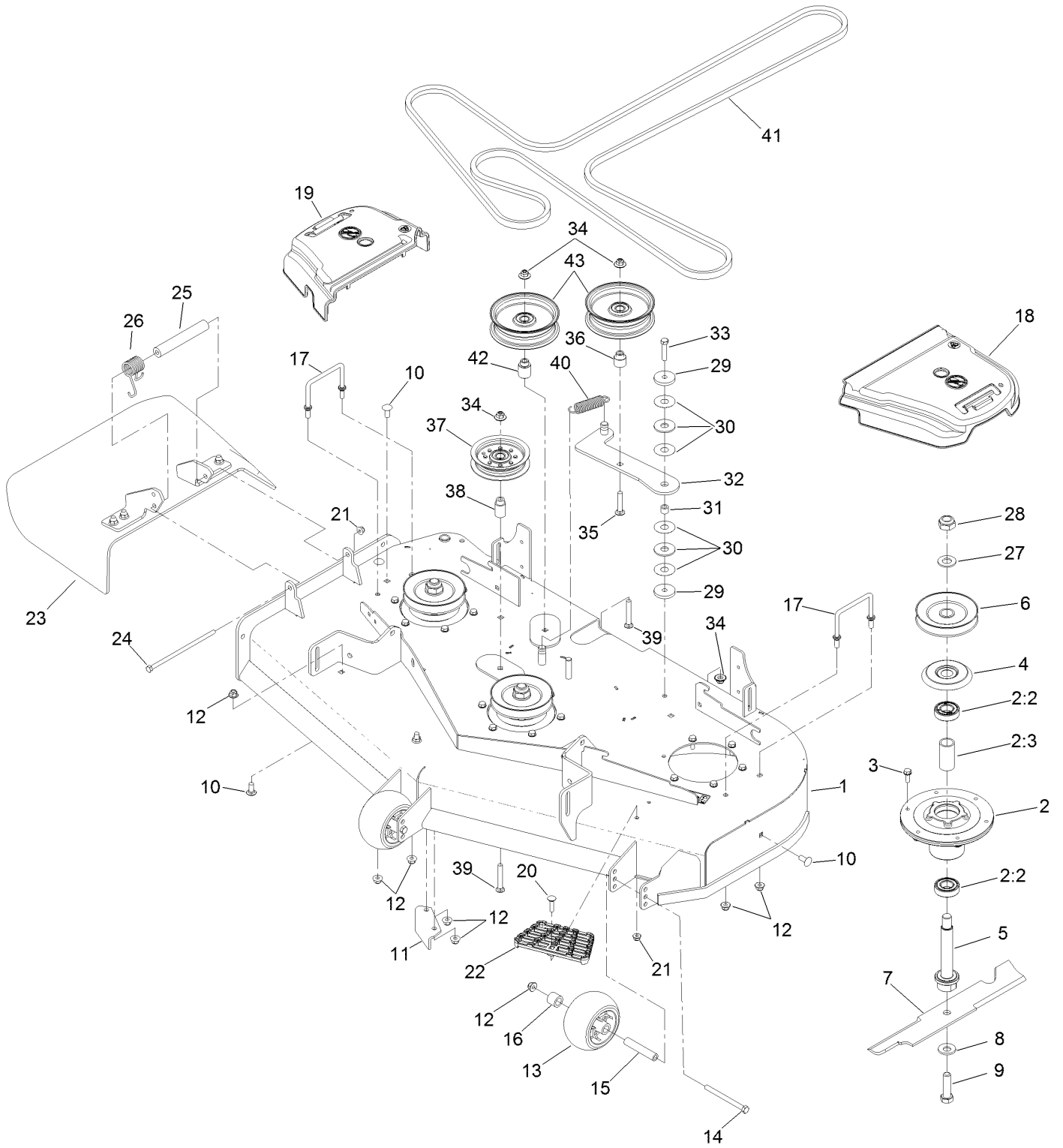
<i>Ref.</i>	<i>Part Number</i>	<i>Qty.</i>	<i>Description</i>	<i>Ref.</i>	<i>Part Number</i>	<i>Qty.</i>	<i>Description</i>
2	126-8360	4	Bushing-Rubber, Suspension	4	3231-7	2	Screw-CARR
3	108-6544	4	Spacer	5	2844	2	Washer
				6	104-8301	2	Nut-HF, NI

Engine Assembly (continued)

<i>Ref.</i>	<i>Part Number</i>	<i>Qty.</i>	<i>Description</i>	<i>Ref.</i>	<i>Part Number</i>	<i>Qty.</i>	<i>Description</i>
1	104-8301	3	Nut-HF, NI	34	127-9451	1	Engine-2P77F
5	110-1136	1	Decal	37	126-9182	1	Decal-HP, Engine
8	116-2456	2	Pulley-Flat Idler	40	131-1097	1	Decal-Drain, Oil
14	126-0973	1	Idler Arm ASM	44	1-603384	1	Bushing-Pivot, Idler
14:2	1-513034	2	Sleeve-Bearing	45	1-603402	1	Spring-Extension
14:3	302-40	1	Fitting-Grease, 90 DEG	46	1-603610	2	Washer-Spring
14:4	32144-11	1	Screw-HWH	48	1-807259	1	Key
26	126-5864	1	Muffler	49	32144-102	4	Screw-HWH
27	126-5993	1	Belt-V	50	323-15	1	Screw-HH
29	135-0134	1	Sheave-Engine	54	3231-29	2	Screw-CARR
30	126-6687-03	1	Anchor-Clutch	56	3256-4	1	Washer-Flat
32	126-7198	1	Screw-HH W/Loctite ●	57	98-5975	4	Washer-Belleville
33	127-3410	1	Clutch-PTO	58	33003-00	1	Nut-HF

● Use Pro-Lock, Nut Type (P/N 1-840022, .5ml tube) on threads.

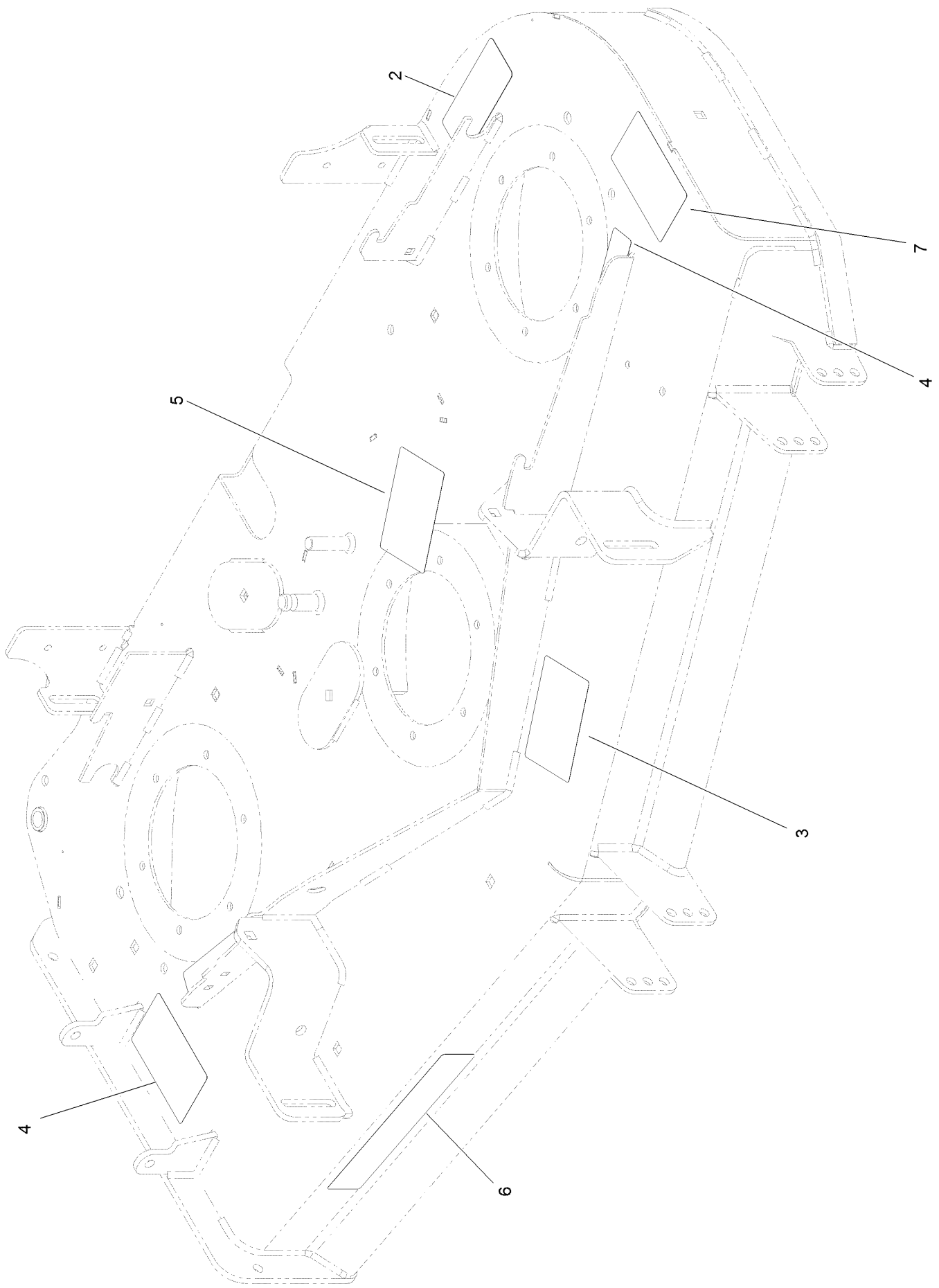
Deck Assembly



Deck Assembly (continued)

<i>Ref.</i>	<i>Part Number</i>	<i>Qty.</i>	<i>Description</i>	<i>Ref.</i>	<i>Part Number</i>	<i>Qty.</i>	<i>Description</i>
1	126-8956	1	Deck Decal ASM	21	104-8300	2	Nut-HF, NI
2	120-5477	3	Spindle ASM	22	126-4781-03	1	Step-Deck
2:2	116-0720	2	Bearing-Ball	23	120-2451	1	Deflector ASM
2:3	115-2641	1	Spacer-Bearing	24	322-50	1	Screw-HH
3	32144-41	18	Screw-Taptite	25	105-4622	1	Spacer
4	117-7210	3	Shield-Bearing	26	108-4052	1	Spring-Torsion
5	126-7629	3	Shaft-Spindle	27	92-5836	3	Washer
6	117-7326	3	Pulley	28	3296-67	3	Nut-Lock, NI
7	133-2137	3	Blade-Rotary, 16.5In (Hi Flow)	29	110-9981	2	Washer-Plain
8	125-1736	3	Washer-Belleville	30	114-0463	2	Washer-Friction, Composite
9	51-4060	3	Screw-Blade	31	1-413088	1	Bushing-Lever, Lift
10	3231-27	6	Screw-CARR	32	115-5054	1	Arm-Idler
11	107-8541-01	1	Baffle-Discharge	33	323-9	1	Screw-HH
12	104-8301	12	Nut-HF, NI	34	109-6658	4	Nut-Flange, NI
13	1-603299	2	Roller-Scalp, Anti	35	3231-6	1	Screw-CARR
14	323-23	2	Screw-HH	36	126-7684	1	Bushing-Idler
15	98-7912	2	Tube-Spanner	37	116-3626	1	Pulley-Idler
16	98-7913	2	Tube-Spacer	38	1-413113	1	Bushing-Idler
17	109-6982	2	Wireform-Cover	39	3231-31	2	Screw-CARR
18	109-6936	1	Cover-Belt, LH	40	139-3616	1	Spring - Extension
19	109-6935	1	Cover-Belt, RH	41	126-7731	1	Belt, Deck Drive
20	3230-3	1	Screw-CARR	42	126-7683	1	Bushing-Idler
				43	116-4669	2	Idler-Pulley, Flat

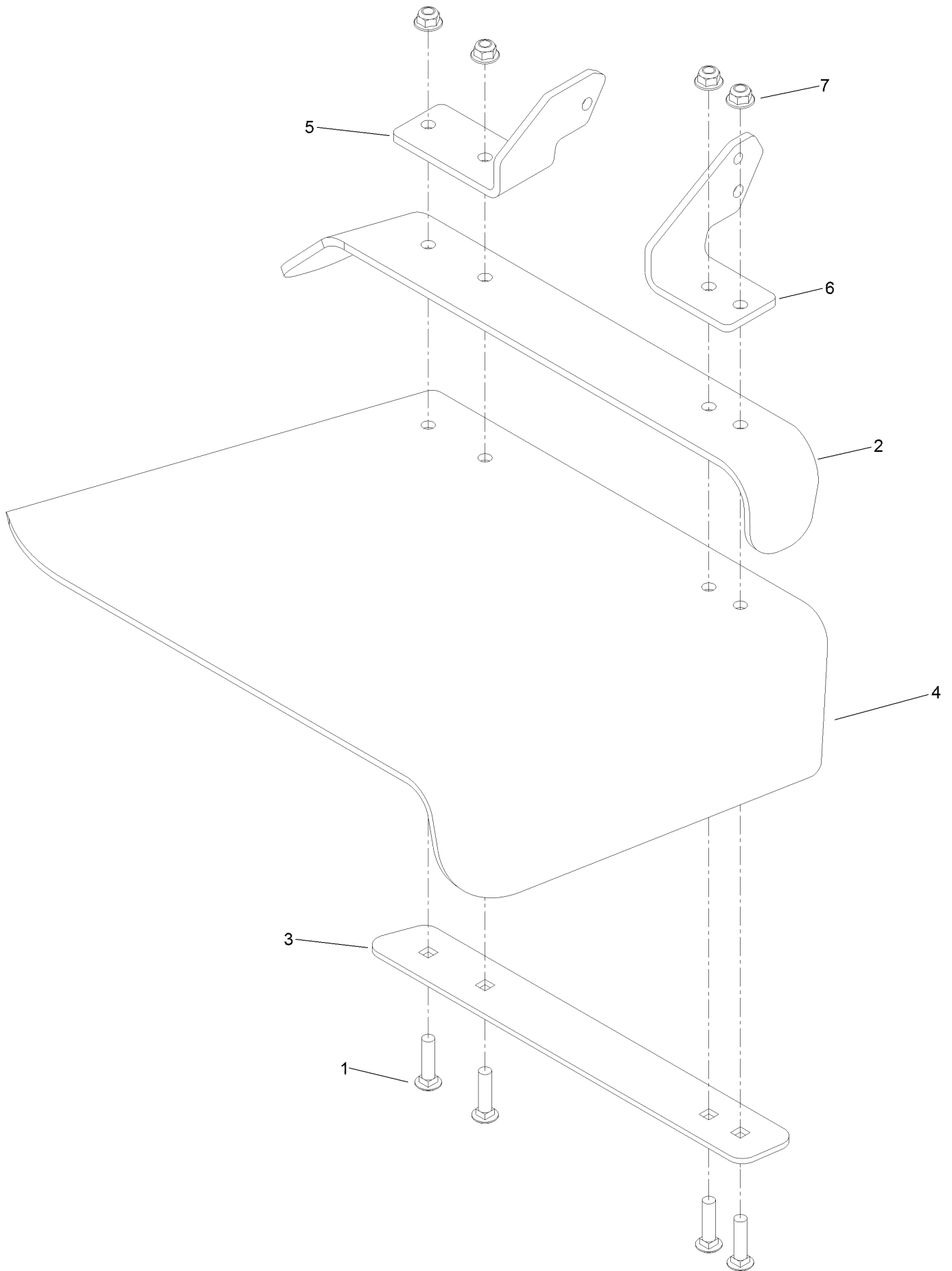
Deck Decal Assembly No. 126-8956



Deck Decal Assembly No. 126-8956 (continued)

<i>Ref.</i>	<i>Part Number</i>	<i>Qty.</i>	<i>Description</i>	<i>Ref.</i>	<i>Part Number</i>	<i>Qty.</i>	<i>Description</i>
2	93-7818	1	Decal-Torque, Blade Bolt	5	117-1194	1	Decal-Routing, Belt
3	112-3858	1	Decal-Scalp, Anti	6	121-3204	1	Decal
4	112-9028	2	Decal-Cover, Missing	7	117-3848	2	Decal-Danger

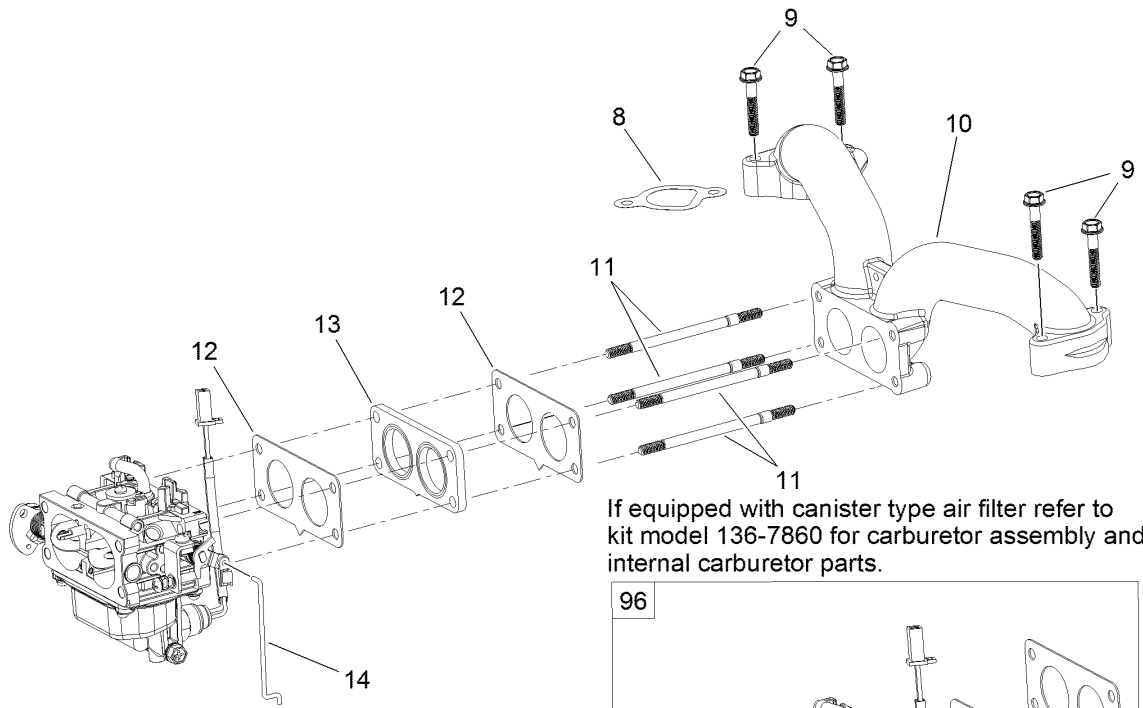
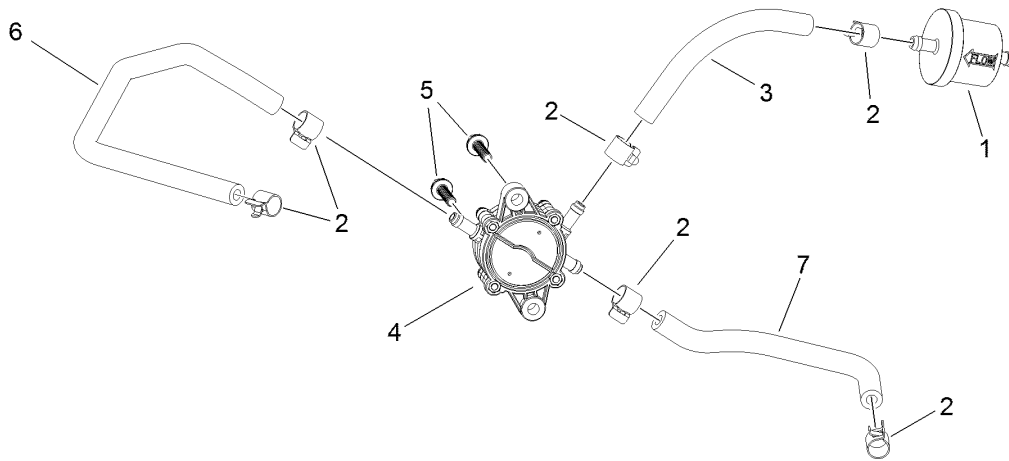
Deflector Assembly No. 120-2451



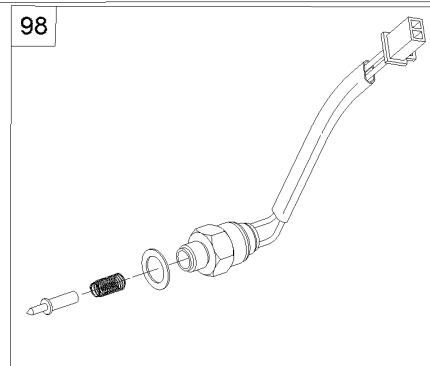
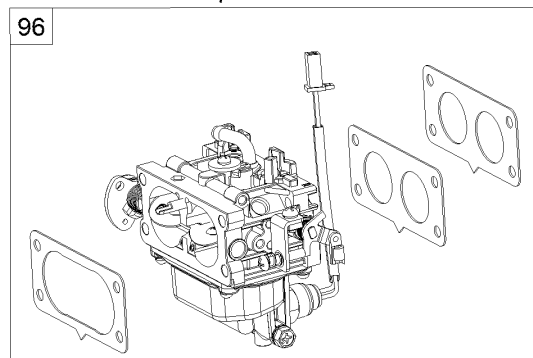
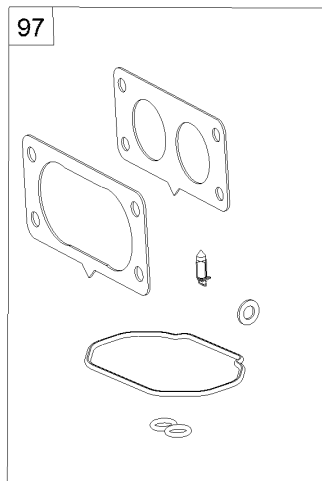
Deflector Assembly No. 120-2451 (continued)

<i>Ref.</i>	<i>Part Number</i>	<i>Qty.</i>	<i>Description</i>	<i>Ref.</i>	<i>Part Number</i>	<i>Qty.</i>	<i>Description</i>
1	3231-4	4	Screw-CARR	5	108-4059-01	1	Plate-Hinge, Rear
2	106-3246-01	1	Deflector	6	106-3253-01	1	Plate-Hinge, Front
3	106-3248-03	1	Strap-Discharge	7	104-8301	4	Nut-HF, NI
4	110-0759	1	Deflector-Rubber				

Fuel System Assembly with Non-Canister Style Air Filter



If equipped with canister type air filter refer to kit model 136-7860 for carburetor assembly and internal carburetor parts.

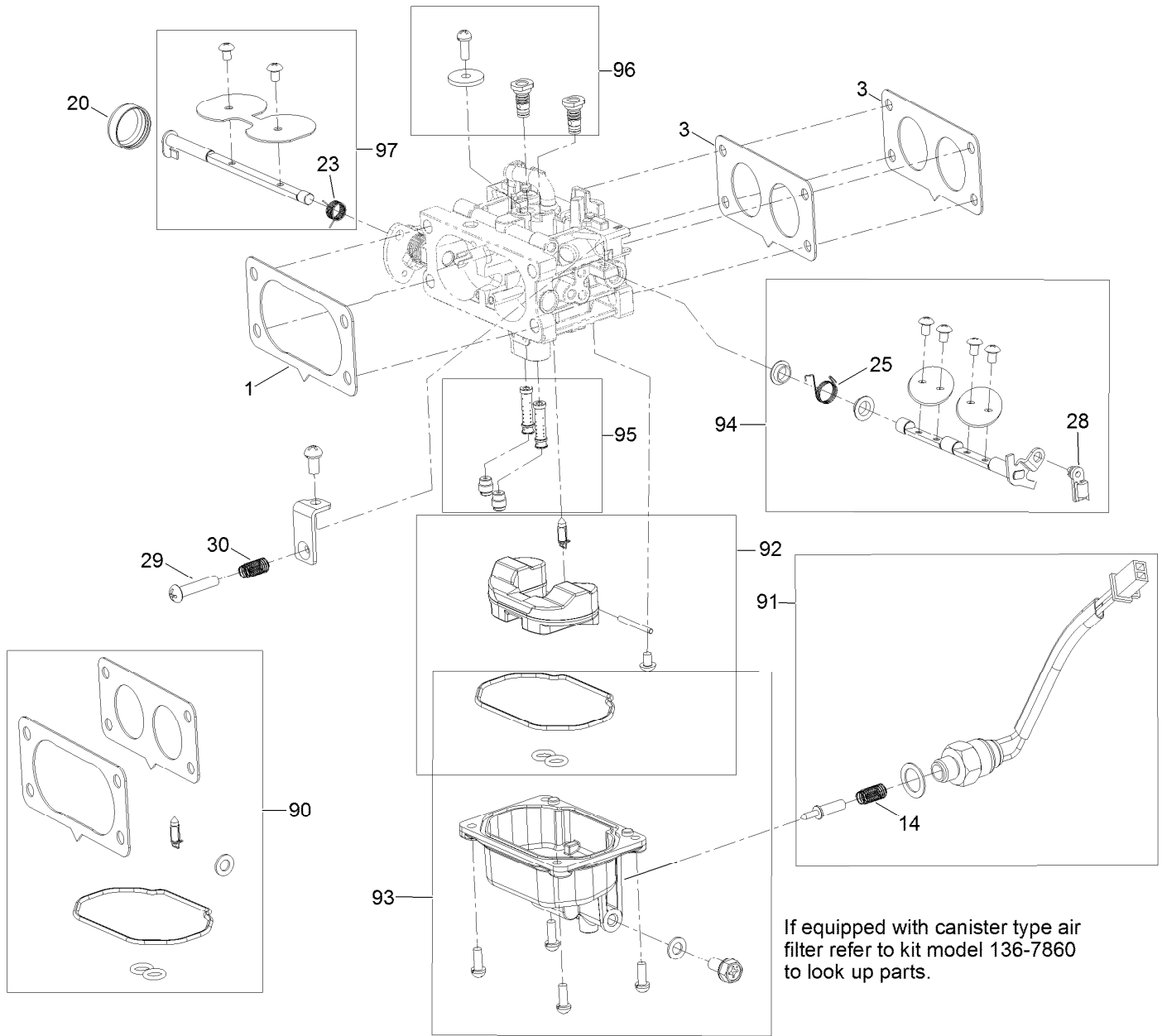


Fuel System Assembly with Non-Canister Style Air Filter (continued)

<i>Ref.</i>	<i>Part Number</i>	<i>Qty.</i>	<i>Description</i>	<i>Ref.</i>	<i>Part Number</i>	<i>Qty.</i>	<i>Description</i>
1	133-1563	1	Filter-Fuel	10	127-9244	1	Manifold-Intake
2	120-4251	6	Clamp-Fuel Line	11	127-9245	4	Stud
3	120-4371	1	Hose-Fuel	12	127-9246	2	Gasket-Carburetor
4	127-9206	1	Pump-Fuel	13	127-9247	1	Insulator-Carburetor
5	120-4225	2	Screw-HHF	14	127-9248	1	Linkage-Throttle
6	127-9205	1	Hose-Fuel	96	133-9808	1	Carburetor Replacement Kit
7	127-9207	1	Hose-Fuel	97	127-9290	1	Carburetor Repair Kit
8	127-9230	2	Gasket-Intake	98	127-9292	1	Solenoid Kit
9	120-4284	4	Screw-HHF	99	133-9833	1	High Altitude Kit ●

● Not illustrated

Carburetor Assembly with Non-Canister Style Air Filter

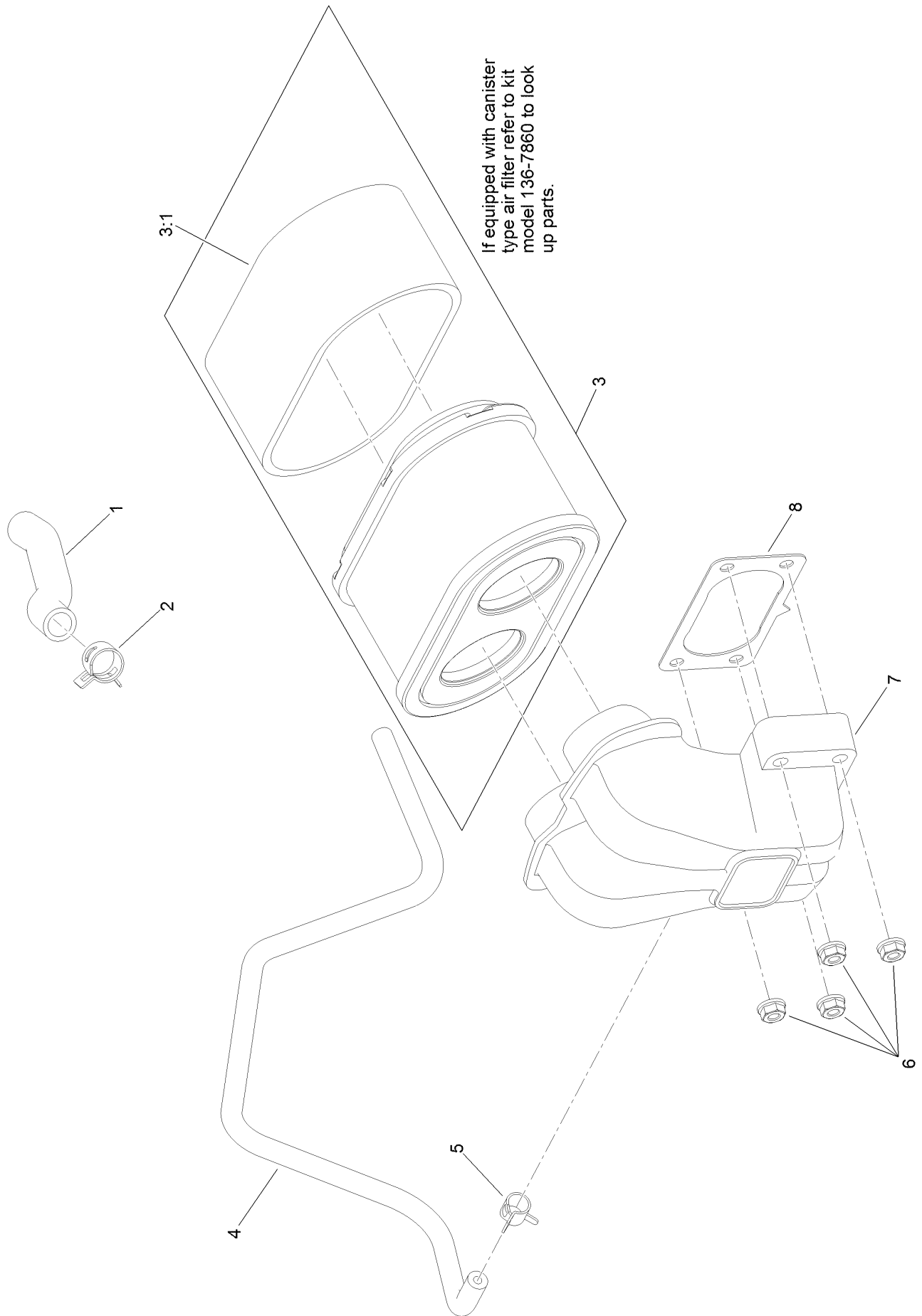


If equipped with canister type air filter refer to kit model 136-7860 to look up parts.

Carburetor Assembly with Non-Canister Style Air Filter (continued)

<i>Ref.</i>	<i>Part Number</i>	<i>Qty.</i>	<i>Description</i>	<i>Ref.</i>	<i>Part Number</i>	<i>Qty.</i>	<i>Description</i>
1	127-9251	1	Gasket-Carburetor	90	127-9290	1	Carburetor Repair Kit
3	127-9246	2	Gasket-Carburetor	91	127-9292	1	Solenoid Kit
14	127-9319	1	Spring	92	127-9340	1	Float Kit
20	127-9325	1	Cover-Shaft, Choke	93	127-9341	1	Bowl Kit
23	127-9328	1	Spring	94	133-9817	1	Throttle Shaft Kit
25	127-9330	1	Spring	95	133-9818	1	Nozzle And Jet Kit
28	127-9333	1	Clamp-Lock	96	133-9812	1	Air Jet Kit
29	127-9334	1	Screw-PPH	97	127-9345	1	Choke Shaft Kit
30	127-9335	1	Spring				

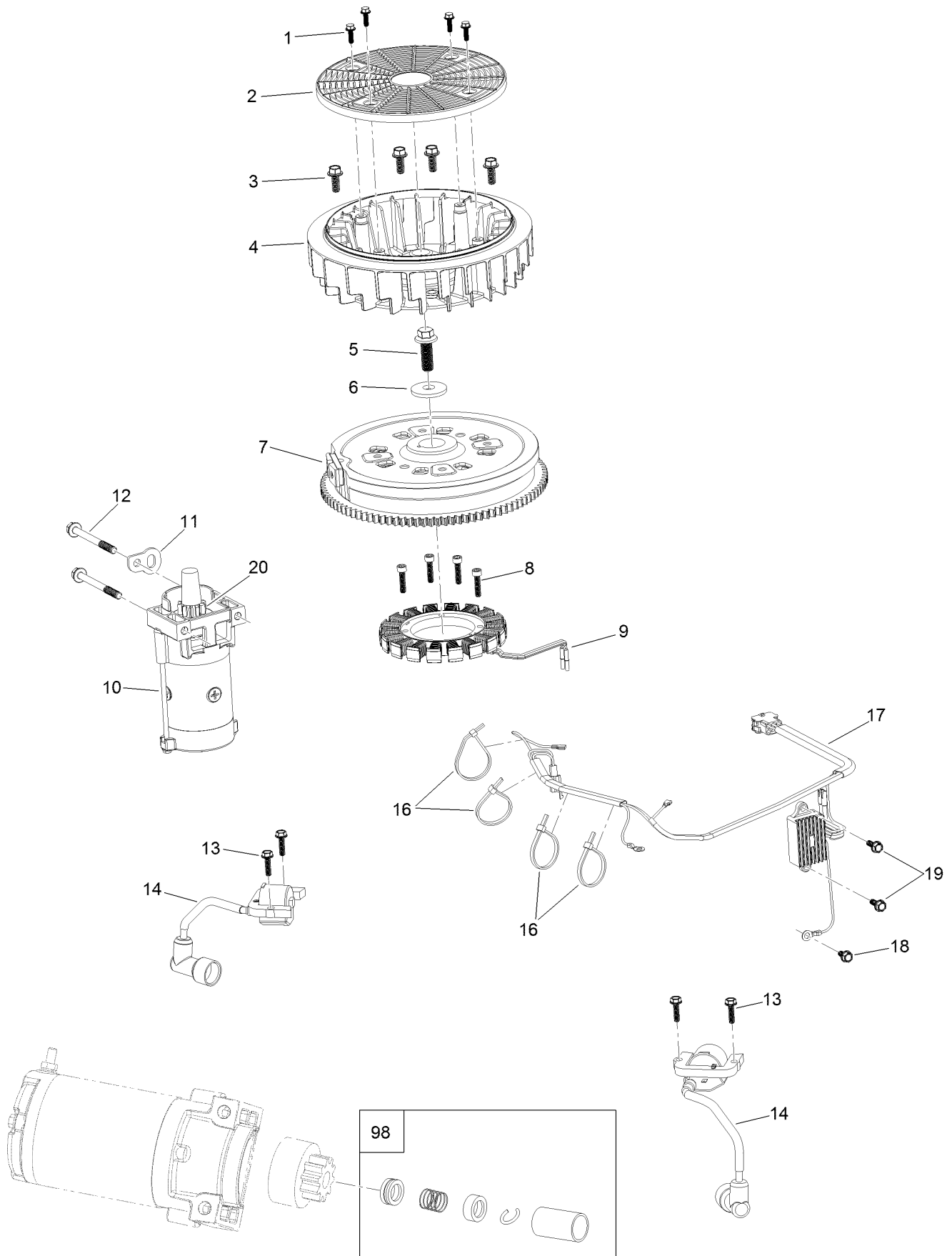
Air Intake and Filtration Assembly with Non-Canister Style Air Filter



Air Intake and Filtration Assembly with Non-Canister Style Air Filter (continued)

<i>Ref.</i>	<i>Part Number</i>	<i>Qty.</i>	<i>Description</i>	<i>Ref.</i>	<i>Part Number</i>	<i>Qty.</i>	<i>Description</i>
1	127-9235	1	Tube-Breather	5	127-9187	1	Clamp-Hose
2	127-9234	2	Clamp-Hose	6	120-4236	4	Nut-Flange
3	127-9252	1	Filter-Air, Complete	7	127-9047	1	Manifold-Filter, Air
3:1	127-9288	1	Filter-Pre, Foam	8	127-9251	1	Gasket-Carburetor
4	127-9253	1	Hose-Fuel				

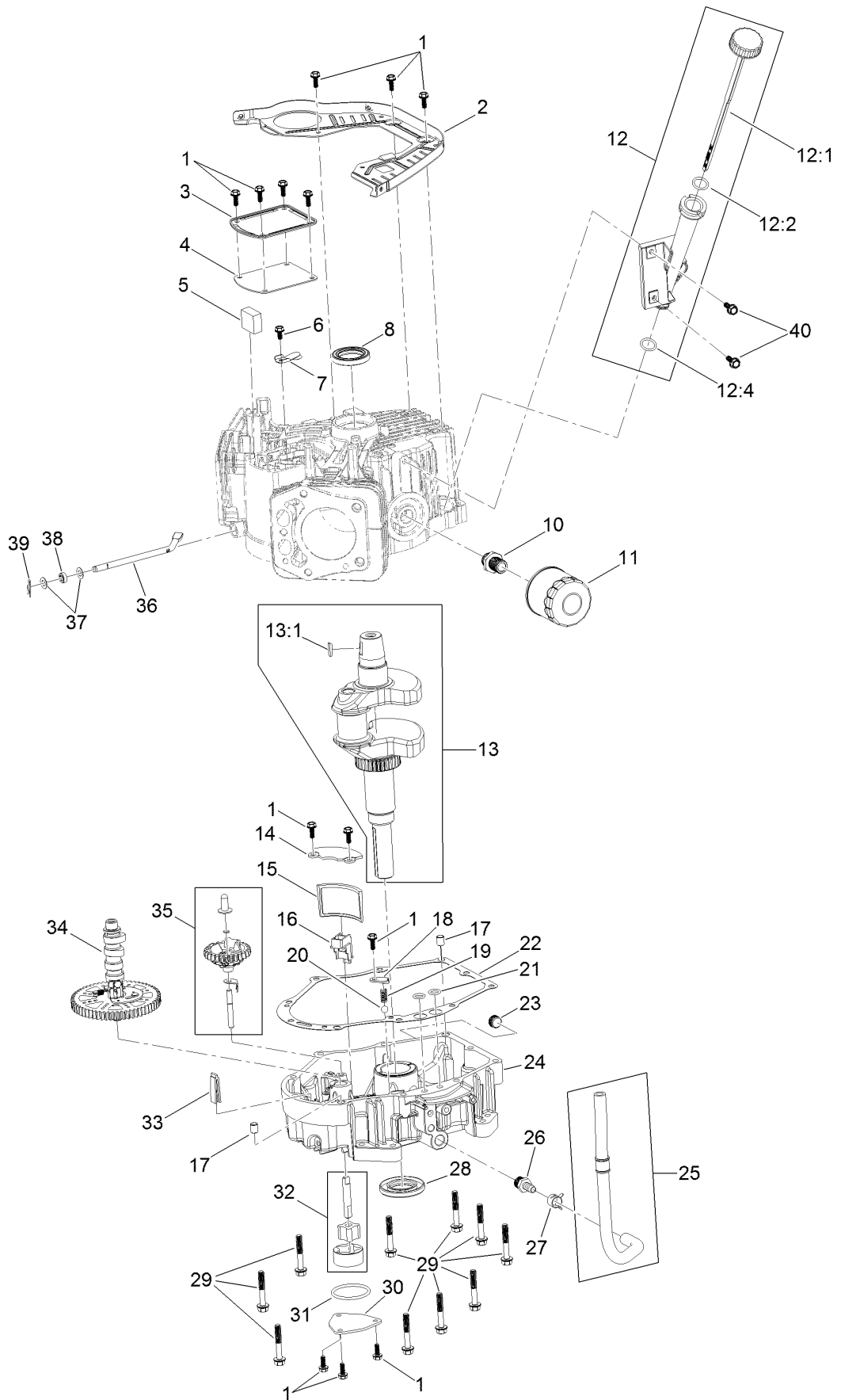
Ignition and Electrical Assembly



Ignition and Electrical Assembly (continued)

<i>Ref.</i>	<i>Part Number</i>	<i>Qty.</i>	<i>Description</i>	<i>Ref.</i>	<i>Part Number</i>	<i>Qty.</i>	<i>Description</i>
1	127-9197	4	Screw-HWH	12	120-4231	2	Screw-HHF
2	127-9198	1	Screen-Rotating	13	121-0007	4	Bolt-Flange
3	127-9199	4	Screw-HWH	14	127-9216	2	Ignition Coil ASM
4	127-9200	1	Fan-Cooling	16	127-9220	4	Tie-Zip
5	127-9201	1	Screw-HWH	17	127-9219	1	Regulator-Voltage W/Harness
6	127-9202	1	Washer-Spring	18	120-4216	1	Screw-HHF
7	127-9306	1	Flywheel	19	120-4232	2	Screw-HHF
8	127-9210	4	Screw-HSH	20	133-1562	1	Pinion-Starter
9	127-9211	1	Alternator	98	133-1566	1	Starter Repair Kit
10	133-9828	1	Motor-Starter				
11	127-9208	1	Bracket-Lift				

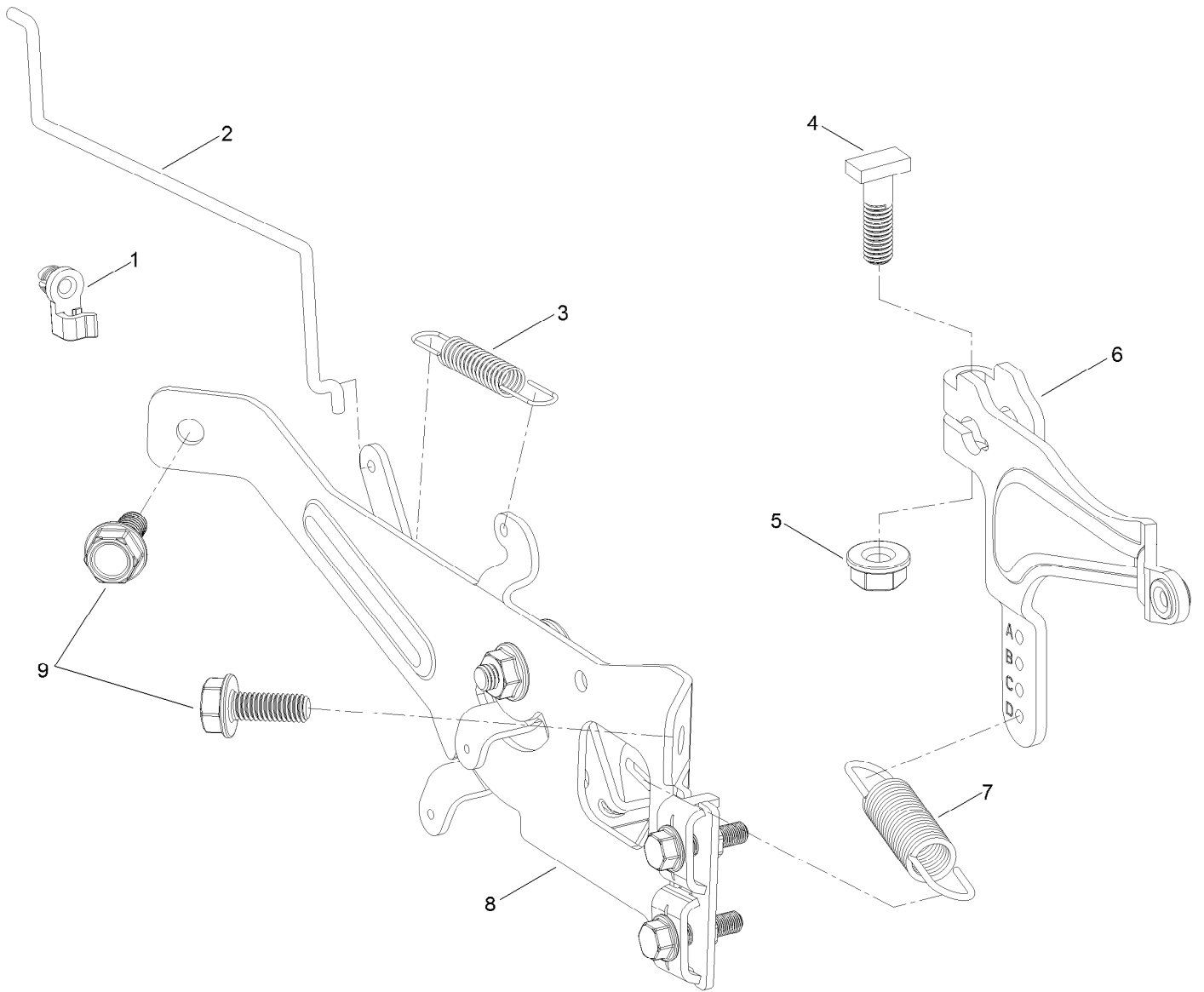
Crankcase and Crankshaft Assembly



Crankcase and Crankshaft Assembly (continued)

<i>Ref.</i>	<i>Part Number</i>	<i>Qty.</i>	<i>Description</i>	<i>Ref.</i>	<i>Part Number</i>	<i>Qty.</i>	<i>Description</i>
1	120-4232	14	Screw-HHF	20	127-9266	1	Valve-Ball
2	127-9212	1	Baffle	21	120-4262	2	O-Ring
3	127-9213	1	Cover-Breather	22	127-9267	1	Gasket-Cover, Crankcase
4	127-9214	1	Gasket-Breather	23	133-9805	1	Plug-Drain
5	127-9215	1	Filter-Breather	24	133-9806	1	Cover-Crankcase
6	120-4216	1	Screw-HHF	25	127-9293	1	Oil Drain Hose ASM
7	127-9217	1	Valve-Breather	26	127-9275	1	Fitting-Hose
8	120-4267	1	Seal-Oil	27	127-9276	1	Clamp-Hose
10	120-4346	1	Adaptor-Filter, Oil	28	127-9271	1	Seal
11	120-4276	1	Filter-Oil	29	121-0473	10	Screw-HHF
12	127-9218	1	Oil Tube ASM	30	127-9274	1	Cover-Oil Pump
12:1	127-9283	1	Dipstick	31	127-9273	1	O-Ring
12:2	127-9284	1	O-Ring	32	127-9272	1	Oil Pump ASM
12:4	127-9286	1	O-Ring	33	120-4275	1	Deflector-Oil, Rubber
13	127-9255	1	Crankshaft	34	133-1568	1	Camshaft
13:1	120-4320	1	Key-Woodruff	35	133-9807	1	Governor ASM
14	127-9261	1	Cover-Screen, Oil	36	127-9238	1	Shaft-Governor
15	127-9262	1	Screen-Oil	37	120-4258	2	Washer-Plain
16	127-9263	1	Retainer-Screen	38	120-4257	1	Seal-Oil
17	120-4274	2	Pin-Dowel	39	120-4256	1	Pin-Hair
18	127-9264	1	Plate-Retainer	40	120-4232	2	Screw-HHF
19	127-9265	1	Spring				

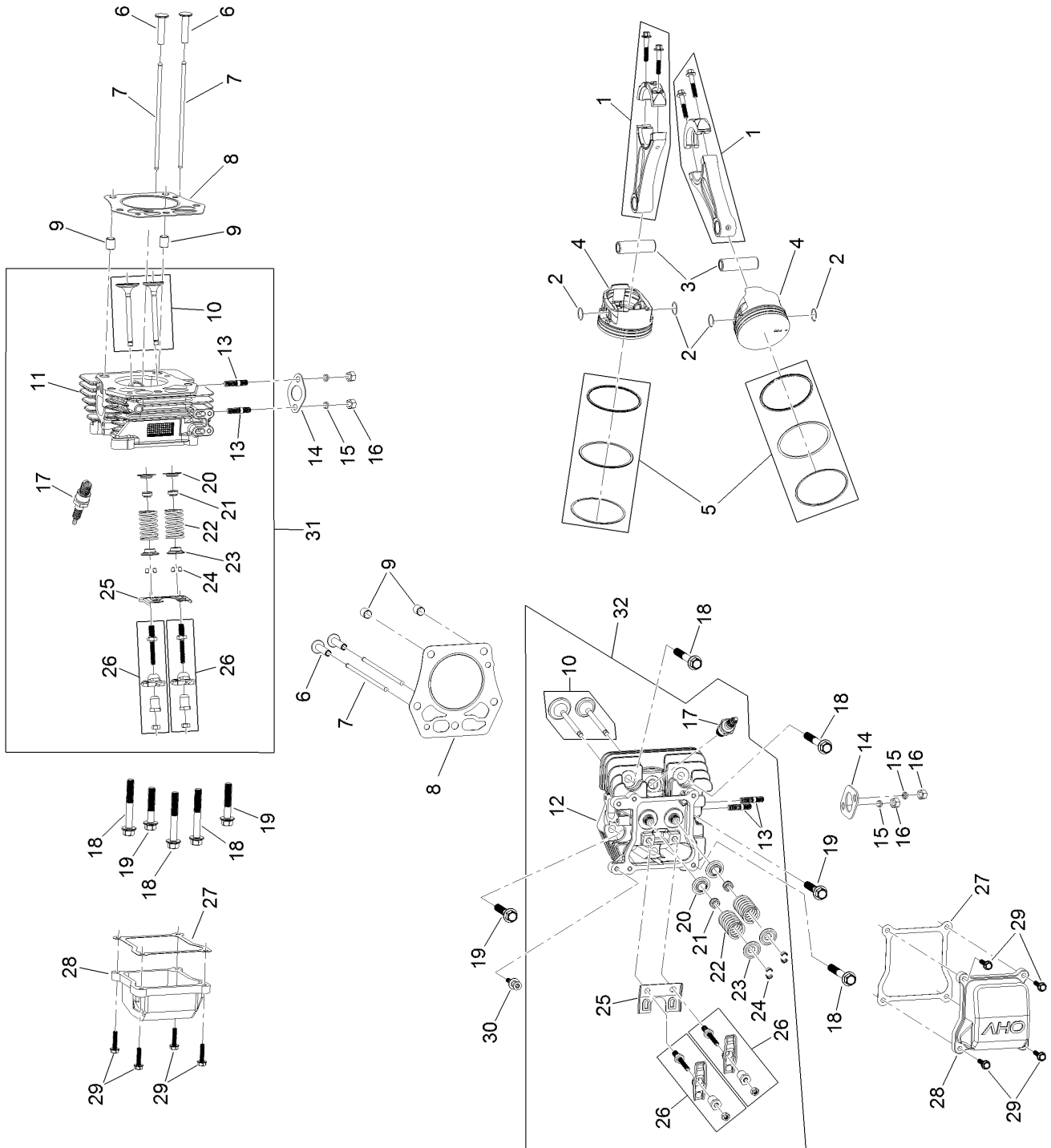
Governor Control Assembly



Governor Control Assembly (continued)

<i>Ref.</i>	<i>Part Number</i>	<i>Qty.</i>	<i>Description</i>	<i>Ref.</i>	<i>Part Number</i>	<i>Qty.</i>	<i>Description</i>
1	127-9250	1	Clip-Linkage	6	127-9239	1	Arm-Governor
2	127-9242	1	Linkage-Choke	7	133-9809	1	Spring-Governor
3	127-9241	1	Spring-Governor	8	133-1570	1	Control Plate ASM
4	120-4238	1	Bolt-Arm, Governor	9	120-4232	2	Screw-HHF
5	120-4236	1	Nut-Flange				

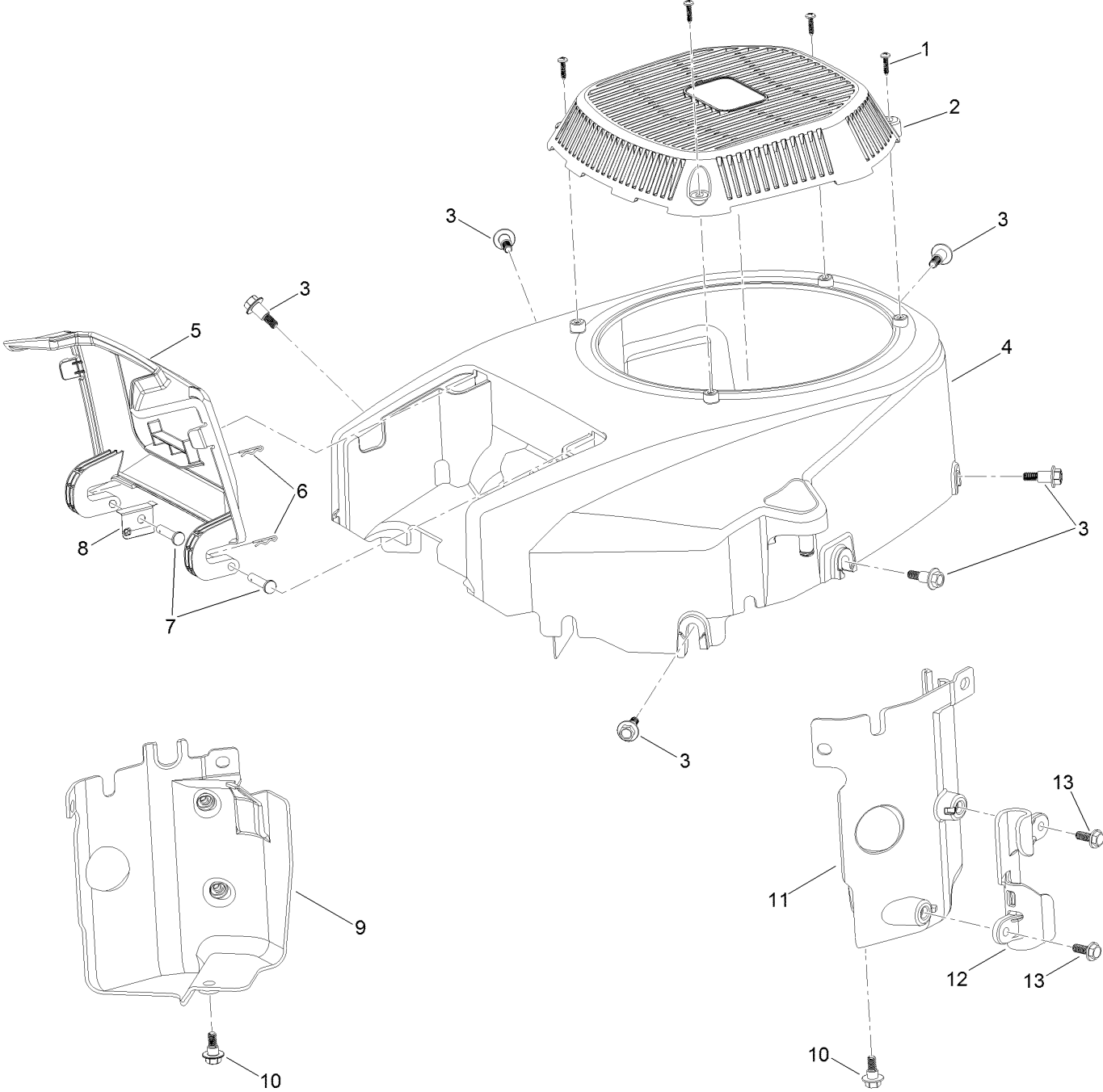
Piston and Cylinder Head Assembly



Piston and Cylinder Head Assembly (continued)

<i>Ref.</i>	<i>Part Number</i>	<i>Qty.</i>	<i>Description</i>	<i>Ref.</i>	<i>Part Number</i>	<i>Qty.</i>	<i>Description</i>
1	127-9256	2	Connecting Rod ASM	17	81-3250	2	Spark Plug
2	127-9258	4	Clip-Pin, Piston	18	127-9231	6	Screw-HWH
3	127-9257	2	Pin-Piston	19	127-9232	4	Screw-HWH
4	127-9259	2	Piston	20	120-4303	4	Seat-Spring, Valve
5	127-9260	2	Piston Ring Set	21	120-4304	4	Seal-Stem, Valve
6	127-9224	4	Lifter-Valve	22	120-4305	4	Spring-Valve
7	127-9225	4	Rod-Push	23	120-4306	4	Retainer-Spring, Valve
8	127-9226	2	Gasket-Head, Cylinder	24	120-4307	8	Keeper-Valve
9	127-9227	4	Pin-Dowel	25	127-9233	2	Plate-Guide, Push Rod
10	127-9228	2	Valve Set	26	127-9294	4	Rocker Arm ASM
11	133-9802	1	Head-Cylinder, Right	27	127-9295	2	Gasket-Valve Cover
12	133-9804	1	Head-Cylinder, Left	28	127-9050	2	Cover-Valve
13	121-0464	4	Stud-Exhaust	29	120-4225	8	Screw-HHF
14	120-4317	2	Gasket-Exhaust	30	120-4214	1	Screw-Shoulder, HH
15	127-9279	4	Washer-Lock, Split	31	133-9819	1	Right Head ASM
16	121-0199	4	Nut-HH	32	133-9820	1	Left Head ASM

Blower Housing Assembly

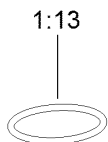
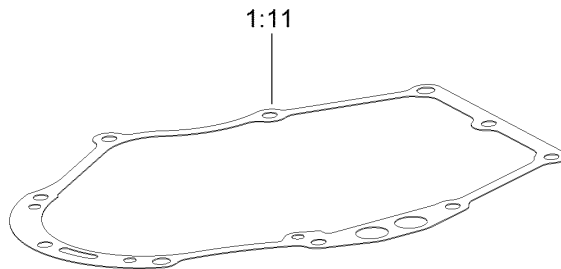
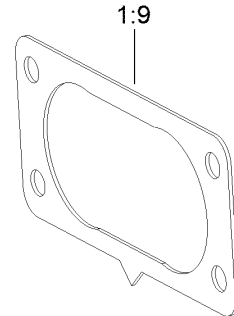
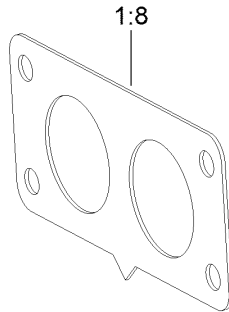
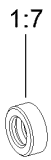
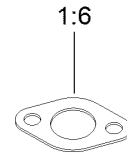
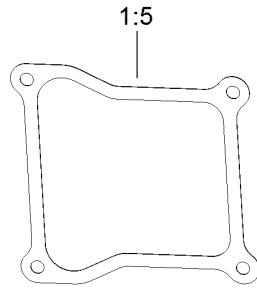
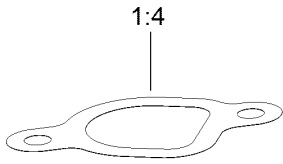
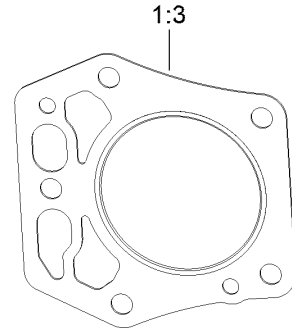
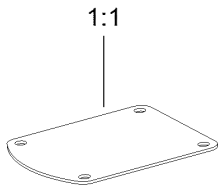


Blower Housing Assembly (continued)

<i>Ref.</i>	<i>Part Number</i>	<i>Qty.</i>	<i>Description</i>	<i>Ref.</i>	<i>Part Number</i>	<i>Qty.</i>	<i>Description</i>
1	133-1571	4	Screw-PPH, Plastic	8	127-9281	1	Plate-Spring
2	127-9045	1	Cover-Fan	9	127-9049	1	Baffle-Air, Left
3	127-9196	6	Screw-Shoulder, HWH	10	120-4210	2	Screw-Shoulder, HHF
4	133-1572	1	Shroud-Engine	11	127-9048	1	Baffle-Air, Right
5	127-9046	1	Door-Filter, Air	12	127-9287	1	Cleat-Hose
6	127-9280	2	Pin-Hair	13	120-4232	2	Screw-HHF
7	127-9282	2	Pin				

Gasket and Seal Kit

1



Gasket and Seal Kit (continued)

<i>Ref.</i>	<i>Part Number</i>	<i>Qty.</i>	<i>Description</i>	<i>Ref.</i>	<i>Part Number</i>	<i>Qty.</i>	<i>Description</i>
1	127-9296	1	Gasket And Seal Kit	1:8	127-9246	2	Gasket-Carburetor
1:1	127-9214	1	Gasket-Breather	1:9	127-9251	1	Gasket-Carburetor
1:2	120-4267	1	Seal-Oil	1:10	120-4262	2	O-Ring
1:3	127-9226	2	Gasket-Head, Cylinder	1:11	127-9267	1	Gasket-Cover, Crankcase
1:4	127-9230	2	Gasket-Intake	1:12	127-9271	1	Seal
1:5	127-9295	2	Gasket-Valve Cover	1:13	127-9273	1	O-Ring
1:6	120-4317	2	Gasket-Exhaust	1:14	127-9284	1	O-Ring
1:7	120-4257	1	Seal-Oil	1:15	127-9286	1	O-Ring

Attachments and Accessories

For 74450 48in TITAN HD 1500 Series Riding Mower

Product Name	Model/Part
Hypr-Oil 500 (quart)	114-4713
Hypr-Oil 500 (gallon).....	114-4714
Hypr-Oil 500-5 (5 gallon).....	114-4715
Seat Cover w/Arm Rest	117-0097
Toro Hydro Kit.....	121-3783
LED Light Kit.....	126-5382
Front Bucket Bracket Kit	126-7011
Striper Kit.....	126-7882
Sunshade Kit	126-8077
Cover-Hitch.....	126-8299
Trash Container Kit.....	126-8379
Weight Caster Kit.....	126-8639
48in Recycler Kit.....	126-8701
Flat Free Wheel and Bearing Kit	126-9368
Jack Kit.....	127-6666
MVP Belt and Blade Kit.....	127-6795
Toro V-Twin Engine Maintenance Kit	132-4878
Blade-Rotary, 16.5in (Hi Flow)	133-2137
Blade-Rotary, Atomic 16.5	133-2160
Blade-Rotary, Recycling 16.5in.....	133-2163
Blade (6 Pack) 16.5in Hi Flow	133-2176
Blade (6 Pack) 16.5in Recycle	133-2179
Blade (6 Pack) 16.5in Atomic.....	133-2182
5 Gallon Bucket	133-2533
High Altitude Kit	133-9833
Trimmer Mount Kit	136-1682
ROPS Pin Kit	136-1683
HD Air Cleaner Kit	136-7860
Bucket Mount Kit.....	136-9045
Universal Mount Kit Mower	136-9046
Titan HD Triple Threat Attachment Kit.....	136-9047
Toro Deluxe Rider Cover.....	490-7319
Heavy Duty Bagger Kit	78431
48in Completion Kit (Heavy Duty Bagger).....	78433
Standard EZ Vac Bagger	78481
48in Completion Kit (Standard Bagger)	78483

Notes:

Notes:

Notes:



Count on it.