



# CE Bagger Compliance Kit

## TITAN® Zero Turn Riding Mower

Model No. 161-6178

### Installation Instructions

# Installation

## Loose Parts

Use the chart below to verify that all parts have been shipped.

Procedure	Description	Qty.	Use
<b>1</b>	No parts required	–	Remove the curtain fasteners and knob.
<b>2</b>	Guard rod Hex-washer-head screw (1/4 x 5/8 inch) Hex-head flange screw (1/4 x 5/8 inch)	1 2 1	Install the guard rod.

**Note:** Install this Kit after installing the Powered Twin Bagger Kit.



## Removing the Curtain Fasteners and Knob

### No Parts Required

### Procedure

1. Park the machine on a level surface.
2. Disengage the drives.
3. Engage the parking brake.
4. Shut off the machine.
5. Remove the key.
6. Wait for all moving parts to stop.
7. Remove the screws holding the curtain to the frame and the mower deck. Remove the existing guard rod located behind the curtain.

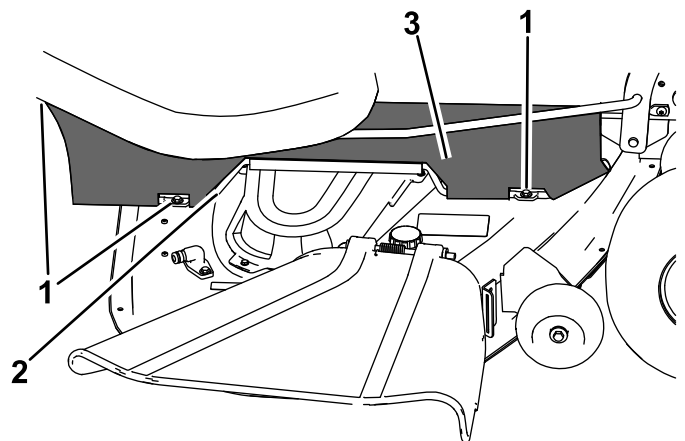


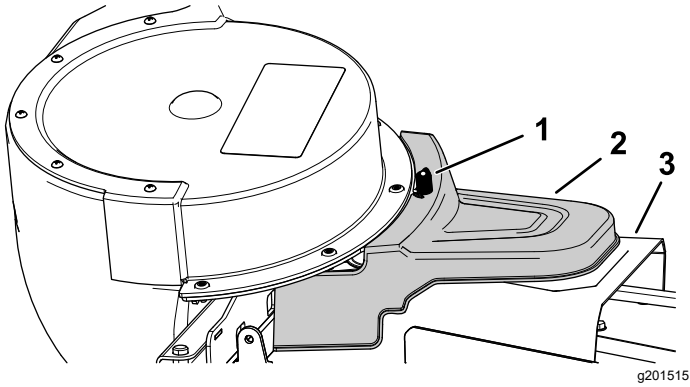
Figure 1

1. Bolts
2. Metal rod
3. Curtain

g468355



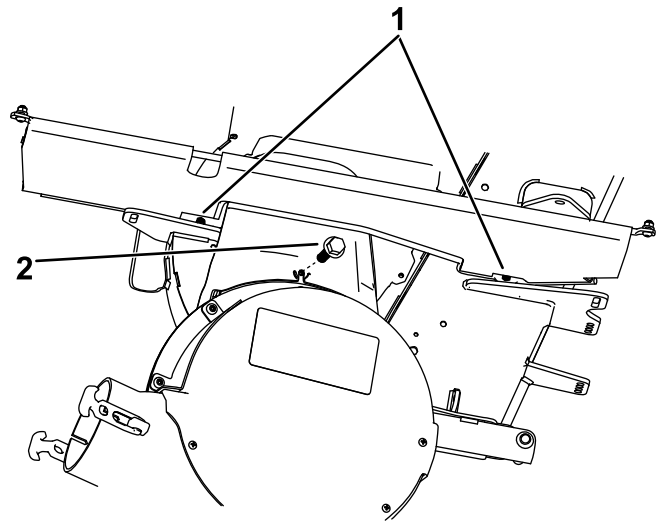
8. Remove the knob.



**Figure 2**

- 1. Knob
- 2. Powered bagger cover
- 3. Belt cover

2. Install the hex-head flange screw (1/4 x 5/8 inch) into the hole where the knob was removed.



**Figure 3**

- 1. Hex-washer-head screw (1/4 x 5/8 inch)
- 2. Hex-head flange screw (1/4 x 5/8 inch)

# 2

## Installing the Guard Rod

Parts needed for this procedure:

1	Guard rod
2	Hex-washer-head screw (1/4 x 5/8 inch)
1	Hex-head flange screw (1/4 x 5/8 inch)

### Procedure

1. Install the new guard rod behind the curtain and secure it with the 2 new hex-washer-head screws (1/4 x 5/8 inch) (Figure 3).