



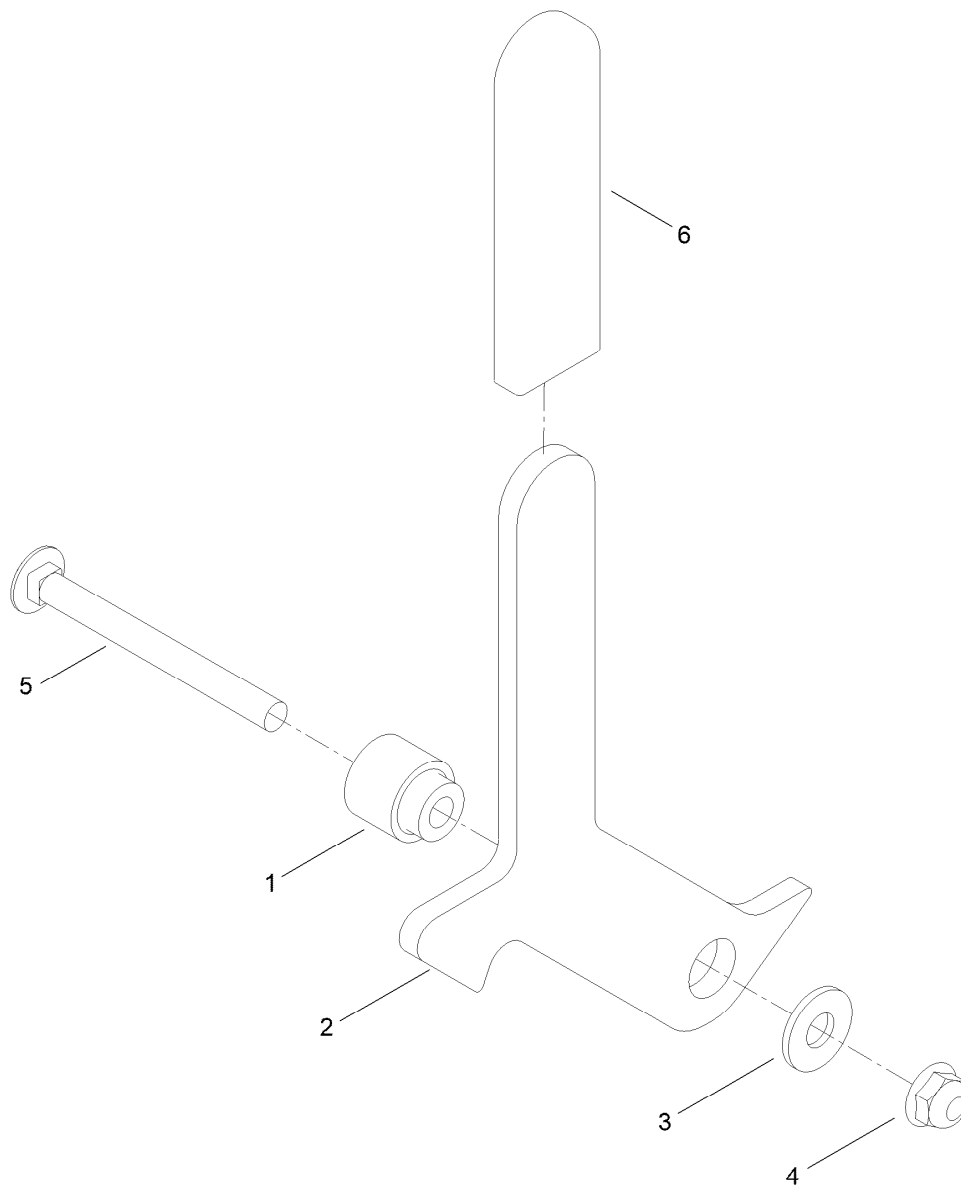
Count on it.

Parts Catalog

**Transport Lock
TimeCutter® Riding Mower**

Model No. 161-4510





Transport Lock Kit Assembly No. 161-4510

<i>Ref.</i>	<i>Part Number</i>	<i>Qty.</i>	<i>Description</i>
1	145-6282	1	Spacer-Stepped
2	145-6279	1	Plate-Transport Lock
3	137-3082	1	Washer-Plain
4	119-4041	1	Nut-HF
5	138-0741	1	Screw-CARR
6	140-0413	1	Grip-Handle