



Count on it.

Parts Catalog

**Multi Pro®
WM Turf Sprayer**

Model No. 41240—Serial No. 416500000 and Up



Ordering Replacement Parts

To order replacement parts, please supply the part number, the quantity, and the description of each part desired.

Understanding Reference Numbers

Each identified part in an illustration has a reference number. The reference number for a part also appears in the parts list, along with other information about the part.

This catalog uses two special reference number formats, one to indicate parts in a service assembly and another to indicate the quantity of a given part in an illustration.

Service Assembly Reference Numbers

Parts in service assemblies have reference numbers in the form a:b. The a represents the reference number of the entire service assembly and the b represents a sequential number unique to each part within the service assembly.

For example, a wheel assembly might be identified by reference number 6, the tire by 6:1, the valve by 6:2, and the wheel by 6:3. When you order the assembly identified by reference number 6, you receive all parts identified by reference numbers 6:1, 6:2, and 6:3. However, you may also order any part individually. Reference numbers of this type appear in illustration and in parts lists.

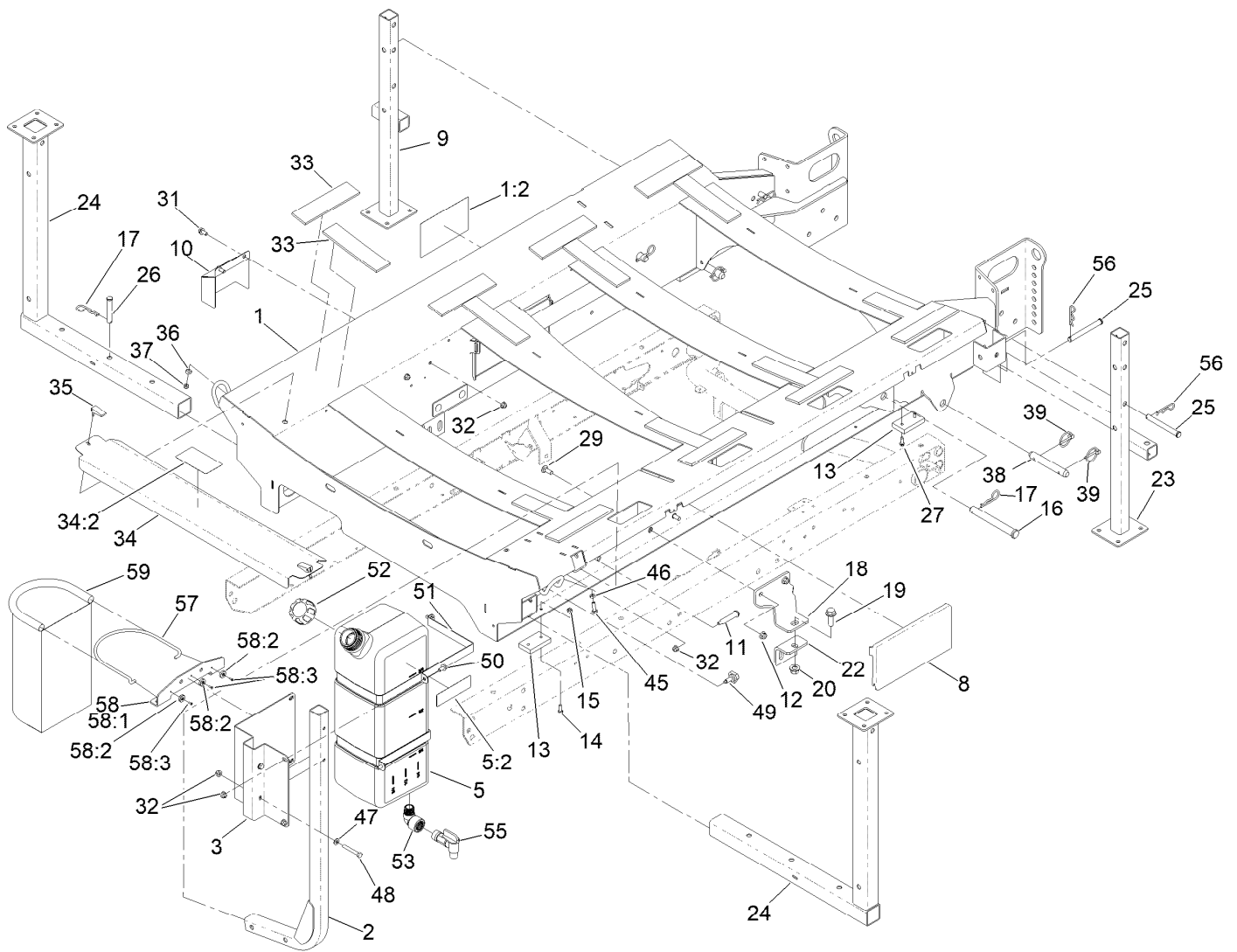
Reference Numbers Indicating Quantity

In an illustration, if a reference number indicates more than one part, the reference number has the form nX y. The n represents the quantity of the part, the X is the multiplication symbol, and the y represents the reference number.

For example, in an illustration, the reference number 2X 37 means that two of the parts identified by reference number 37 are indicated.

Contents

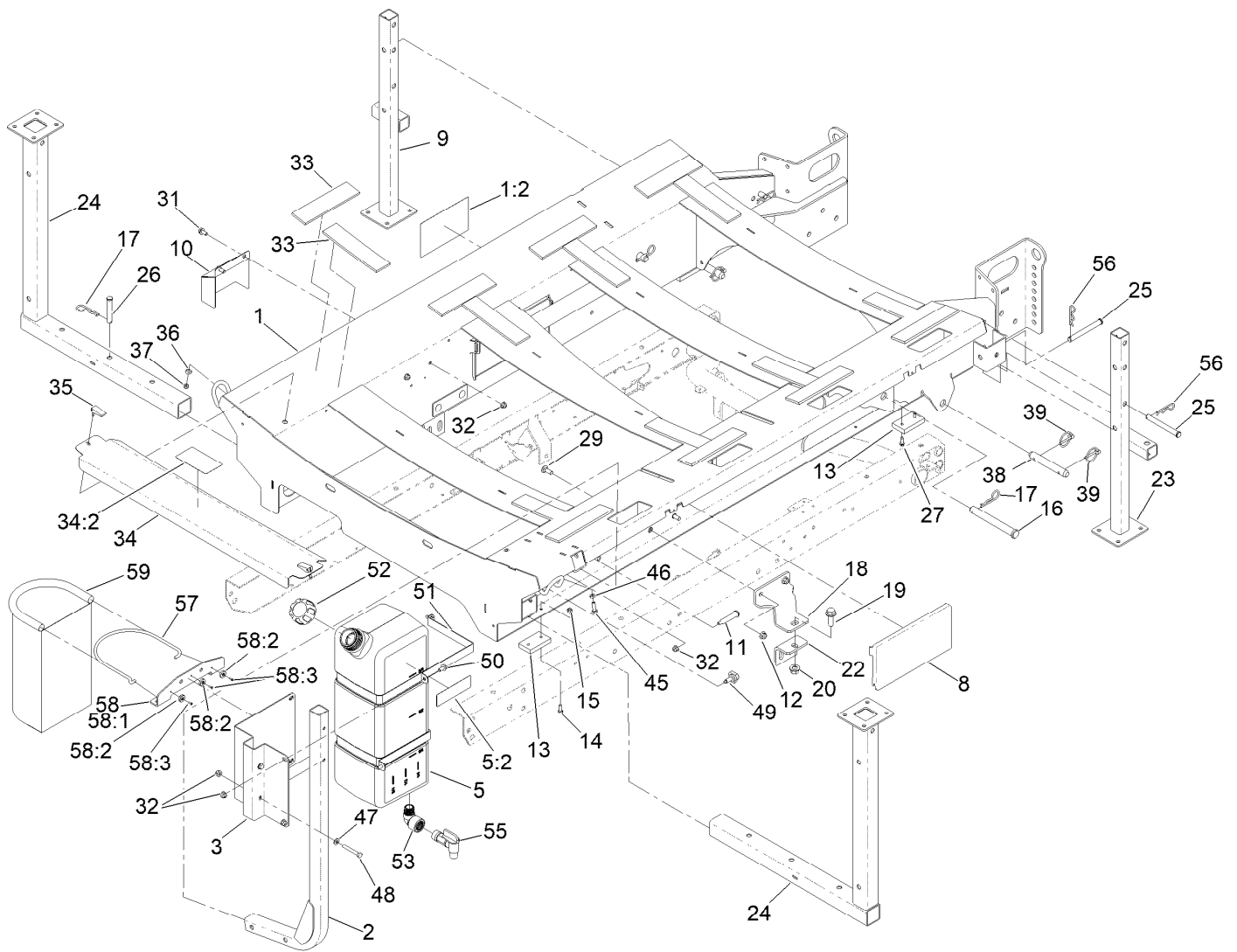
Frame, Stand and Boom Mount Assembly	4
Control Console Assembly	6
Pump Mount Assembly	7
Pump Assembly No. 145-3382	8
Spray Tank Assembly	10
200 Gallon Spray Tank Assembly No. 138-8371	11
Spray Tank Lid Assembly No. 138-6283	12
Filter Assembly No. 130-7096	13
Spray Valve Assembly	14
Agitation Manifold Assembly	15
M100 Manifold Assembly No. 161-4110	17
3-Way Flange Manifold Assembly No. 147-3192	18
Pressure Filter Assembly No. 131-3791	19
QD Manifold Assembly No. 161-4111	20
Section Manifold Assembly	21
Bypass Valve Assembly No. 127-9805	22
3-Way Valve Assembly No. 147-3183	23
Hose Assembly	24
Boom Lift Assembly	26
Hydraulic Cylinder Assembly No. 117-0701	27
On-Off Boom Lift Valve Assembly No. 136-2400	28
Electrical Assembly	29
Center Boom Assembly	30
LH Single Turret Body Assembly No. 108-3725	32
Double Turret Body Assembly No. 108-3727	33
RH Single Body Turret Assembly No. 108-3726	34
Boom Mounting Assembly	35
Boom Pivot Assembly	36
Left and Right Hand Boom Assembly	37
Attachments and Accessories	38



Frame, Stand and Boom Mount Assembly

Ref.	Part Number	Qty.	Description	Ref.	Part Number	Qty.	Description
1	127-3984	1	Skid ASM	20	99-5107	2	Nut-Lock
1:2	127-3936	2	Decal-Danger	22	92-2667-03	2	Bracket-Mount
2	131-5791-03	1	Tube	23	125-0840-03	1	Jack Stand-Rear
3	131-5796-03	1	Mount-Tank, Eye Wash	24	125-0841-03	2	Stand-Front
5	132-7745	1	Fresh Water Tank ASM	25	283-83	4	Pin-Clevis
5:2	120-0616	3	Decal-Water, Fresh	26	283-55	2	Pin-Clevis
8	125-0798	2	Cover-Access	27	49-2040	4	Screw-HWHTF
9	125-8108-03	1	Jack Stand-Rear, RH	29	3231-2	4	Bolt-CARR
10	125-8138-03	1	Guard-Relay	31	3234-14	2	Screw-HHF
11	136-7199	2	Bolt-Shoulder	32	104-8300	10	Nut-HF, NI
12	104-8301	4	Nut-HF, NI	33	125-8094	16	Pad-Tank
13	93-9719	4	Block-Wear	34	127-3985	1	Skid Cover ASM
14	321-4	4	Screw-HH	34:2	127-3937	1	Decal-Warning, Engine Cover
15	3296-42	4	Nut-Lock, NI	35	106-6777	2	Handle-Latch, Swell
16	120-5587	2	Pin-Clevis	36	106-6778	2	Bushing-Latch, Swell
17	3290-343	4	Pin-Hair	37	1-804254	2	Nut-Lock, HH
18	125-0809	2	Bracket-Mount, Front	38	92-1233	2	Pin-Clevis
19	100-6116	2	Screw-HHF				

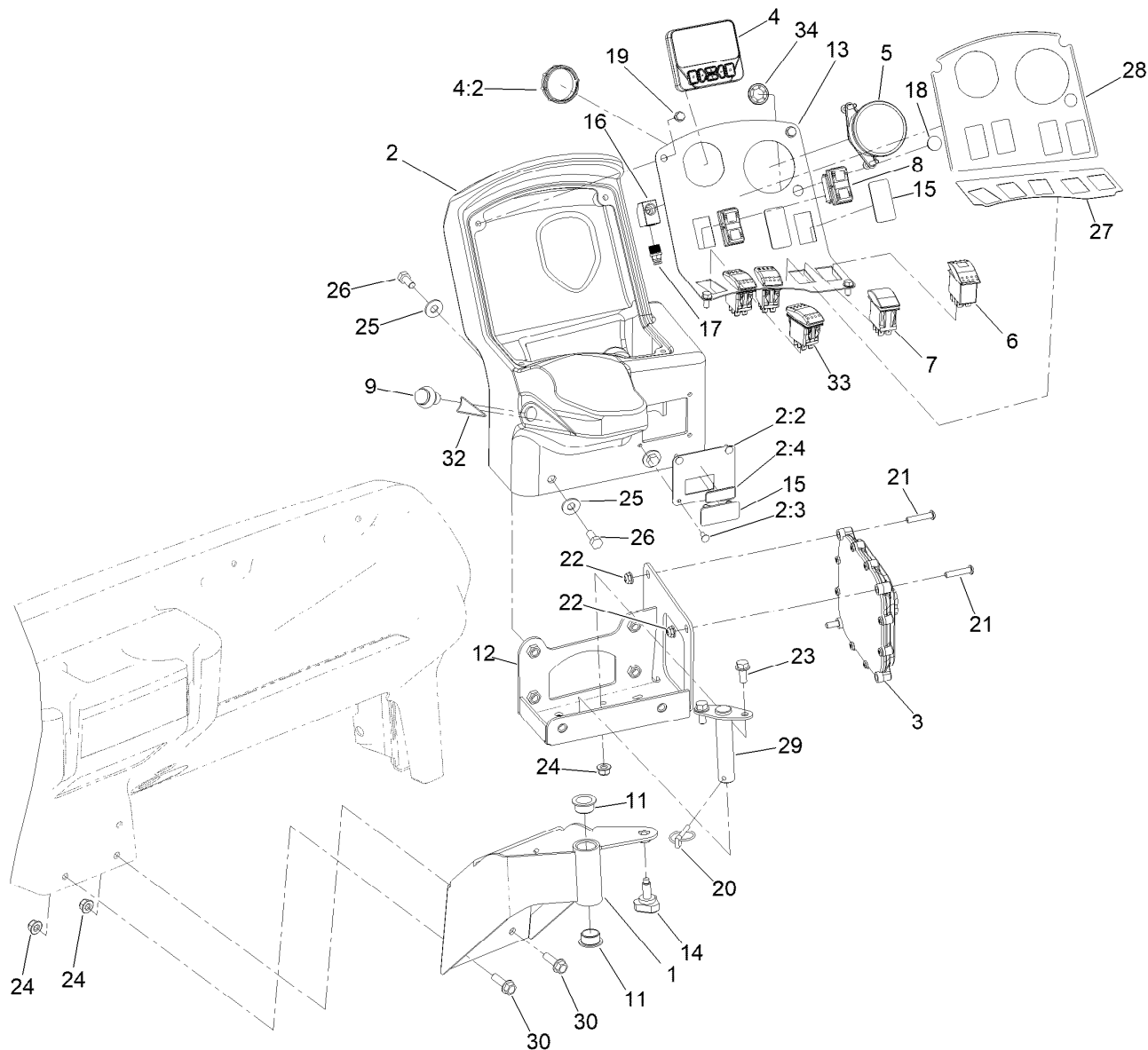
● Not illustrated



Frame, Stand and Boom Mount Assembly (continued)

<i>Ref.</i>	<i>Part Number</i>	<i>Qty.</i>	<i>Description</i>	<i>Ref.</i>	<i>Part Number</i>	<i>Qty.</i>	<i>Description</i>
39	92-1298	4	Pin-Lynch	56	3290-355	4	Pin-Hair
45	322-5	1	Screw-HH	57	117-0546	1	Rod-Bag, Storage
46	3218-2	1	Nut-Hex Jam	58	147-4666	1	Storage Mount, ASM
47	3256-23	2	Washer-Plain	58:1	145-3366-03	1	Bracket-Mount, Storage Bag
48	322-11	2	Screw-HH	58:2	140-7369	3	Magnet
49	95-9648	2	Knob	58:3	3290-55	3	Rivet-Pop
50	3234-7	4	Screw-HHF	59	103-5971	1	Bag-Storage
51	132-7628-03	2	Band-Tank, Eye Wash	99	125-0842-03	2	Stand-Extension, Front ●
52	106-5052	1	Cap-Water, Fresh	99	283-55	4	Pin-Clevis ●
53	132-7706	1	Elbow-90 DEG	99	3290-343	4	Pin-Hair ●
55	100-7011	1	Spigot-90 DEG	99	T0000-3423	2	Jack-Sidewind ●

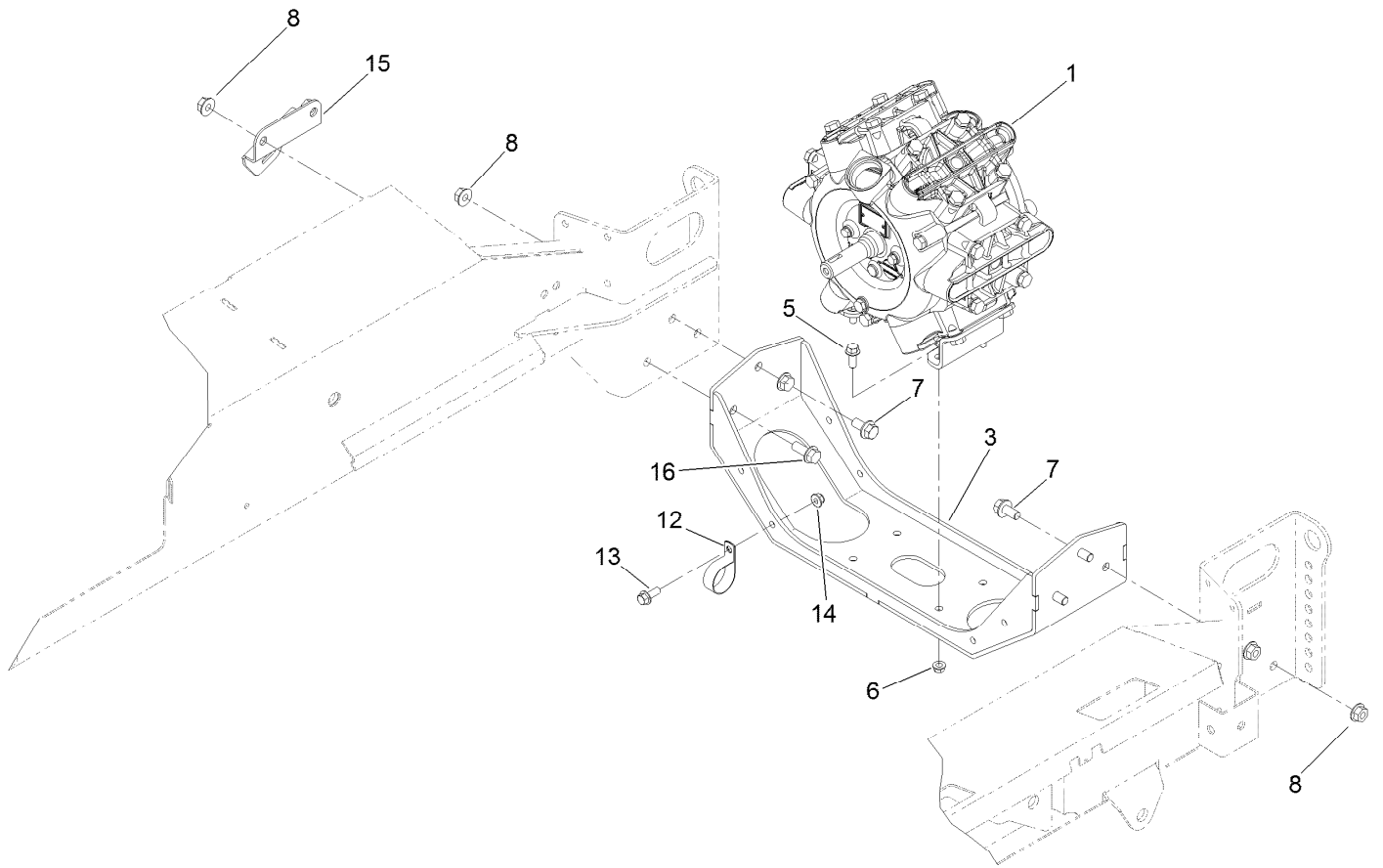
● Not illustrated



Control Console Assembly

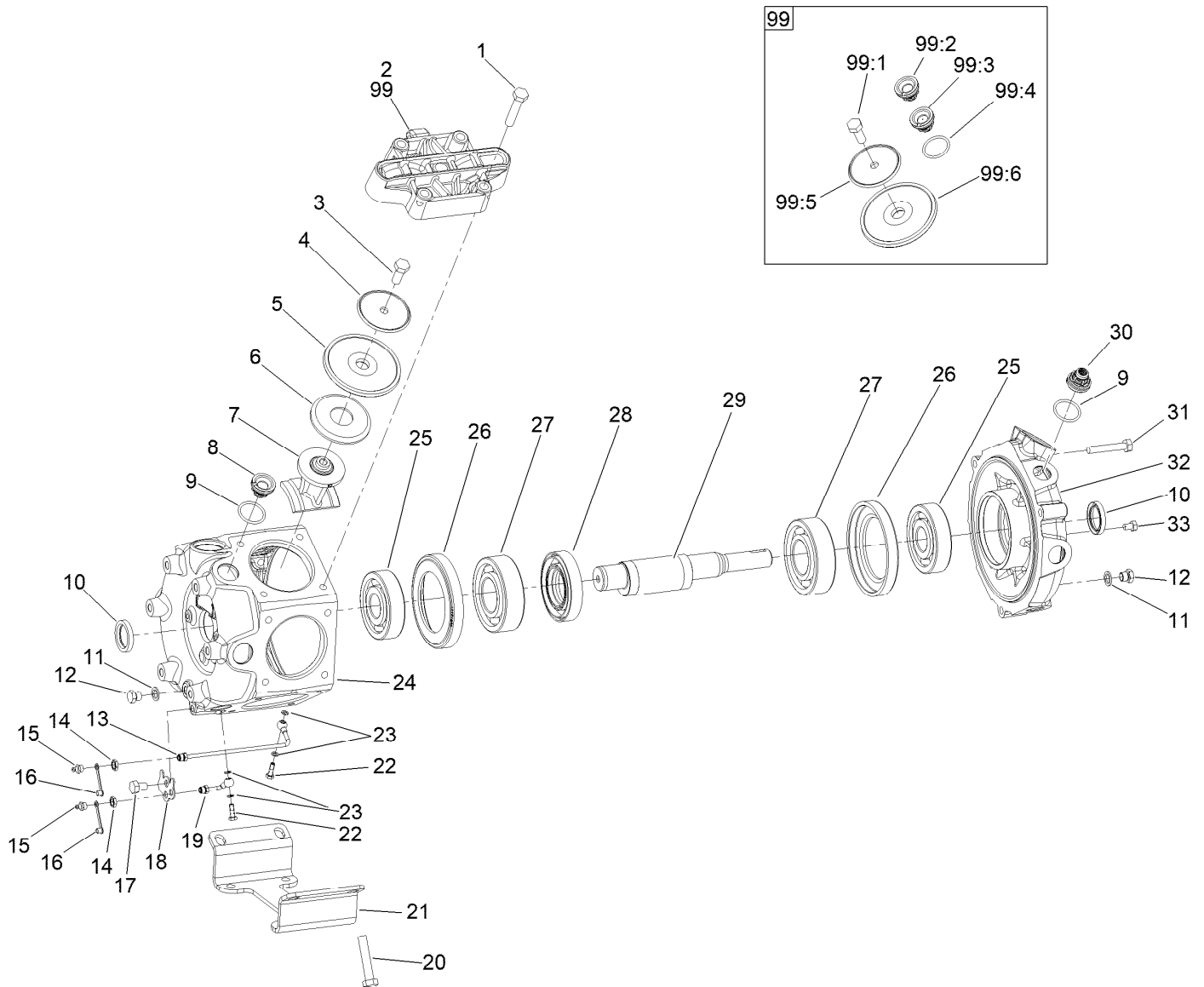
Ref.	Part Number	Qty.	Description
1	131-5795-03	1	Bracket-Console
2	131-9618	1	Control-Console
2:2	131-9607	1	Plate-Switch
2:3	3290-409	4	Rivet
2:4	131-5808	1	Decal-Switch
3	122-3374	1	Controller
4	161-1700	1	Display-LCD
4:2	161-1723	1	Nut-Display
5	120-8546	1	Gauge-Pressure
6	100-8490	1	Switch-Rocker, On-None-On
7	100-1535	1	Switch-Rocker, (On)-Off-(On)
8	125-0899	2	Switch-Rocker
9	125-7996	1	Switch-Pb, Momentary
11	109-8054	2	Bushing-Flange
12	125-4021-0P	1	Bracket - Pivot, Console [prime
13	125-4020-03	1	Panel-Control
14	95-9648	1	Knob

Ref.	Part Number	Qty.	Description
15	99-7420	3	Plug-Hole
16	131-9605	1	Fitting-Elbow-90
17	100-8674	1	Coupler-Tube
18	119-5329	1	Plug-Hole
19	93-6083	4	Screw-HWH
20	3290-495	1	Pin-Klik
21	120-0834	3	Screw-HSBH
22	104-7201	3	Nut-HF, NI
23	3234-5	2	Screw-HHF
24	104-8300	5	Nut-HF, NI
25	3256-71	6	Washer-Flat
26	322-43	6	Screw-HH
27	130-8294	1	Decal-Console
28	125-4052	1	Decal-Console, Upper
29	125-4054	1	Pin
30	3234-17	3	Screw-HHF
32	125-8139	1	Decal-Master Boom Switch
33	95-8999	3	Switch-Rocker, On-None-On
34	1-323142	1	Nut-Push



Pump Mount Assembly

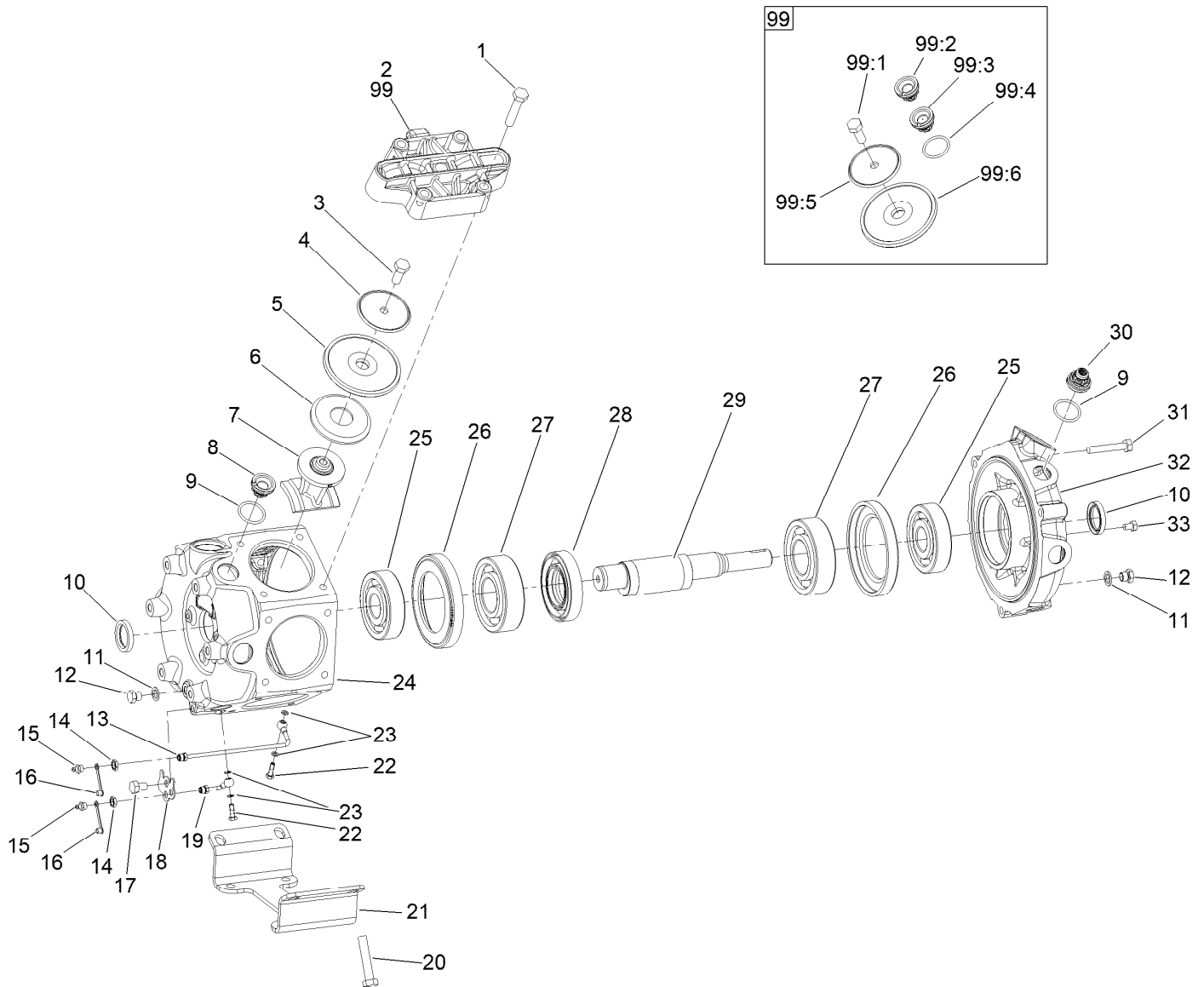
<i>Ref.</i>	<i>Part Number</i>	<i>Qty.</i>	<i>Description</i>
1	145-3382	1	Pump ASM
3	125-8053-03	1	Mount-Pump
5	3234-11	4	Screw-HHF
6	3290-357	4	Nut-HSF
7	3234-6	4	Screw-HHF
8	32128-49	6	Nut-HHF
12	2412-147	1	Clamp-R
13	3234-42	1	Screw-HHF
14	104-8301	1	Nut-HF, NI
15	133-2867-03	1	Bracket-Mount Valve Drain
16	3234-38	2	Screw-HHF



Pump Assembly No. 145-3382

Ref.	Part Number	Qty.	Description	Ref.	Part Number	Qty.	Description
1	120-0773	20	Bolt-Hex	19	133-2876	1	Tube-Banjo, Short
2		6	Cover-Pump ●	20	120-0774	4	Bolt-Hex
3	120-0777	6	Bolt-Hex	21	120-0787	1	Foot-Pump
4	120-0778	6	Disc-Diaphragm	22	133-2830	2	Bolt-Banjo
5	120-0779	6	Diaphragm	23	136-2251	4	Gasket
6	120-0780	6	Disc-Backing, Diaphragm	24	133-2821	1	Housing-Pump, Main
7	120-0781	6	Rod-Connecting	25	120-0788	2	Bearing-Ball
8	99-0861	10	Valve-Pump	26	133-2820	2	Spacer-Metal
9	100-6651	12	O-Ring	27	120-0791	2	Bearing-Ball
10	120-0783	2	Seal-Oil	28	133-2827	1	Distance Ring
11	120-0786	2	Seal	29	133-2825	1	Shaft-Crank
12	120-0785	2	Plug	30	120-0793	2	Valve W/Hole
13	133-2877	1	Tube-Banjo, Long	31	120-0794	3	Bolt-Hex
14	133-2878	2	Nut	32	133-2822	1	Housing-Pump, Front
15	133-2879	2	Nipple-Grease	33	120-0784	4	Bolt-Hex
16	133-2880	2	Cap-Grease Nipple, Yellow	99	120-0796	1	Pump Kit
17	136-2252	1	Bolt-Hex	99	145-3399	1	Pump Head Kit
18	133-2875	1	Plate-Nipple, Grease	99:1	120-0777	6	Bolt-Hex

● Not serviced separately

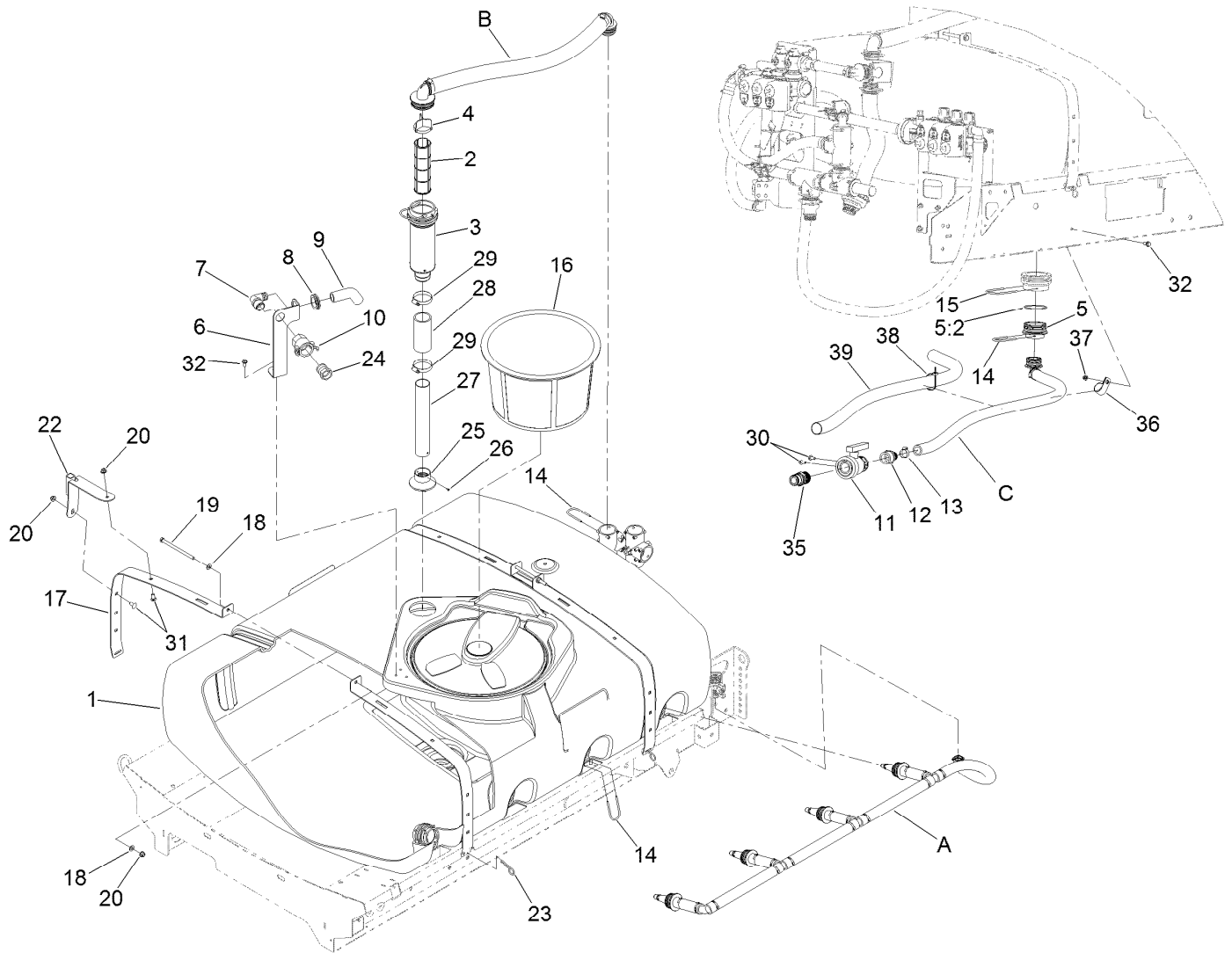


Pump Assembly No. 145-3382 (continued)

Ref.	Part Number	Qty.	Description
99:2	99-0861	10	Valve-Pump
99:3	120-0793	2	Valve W/Hole
99:4	100-6651	12	O-Ring

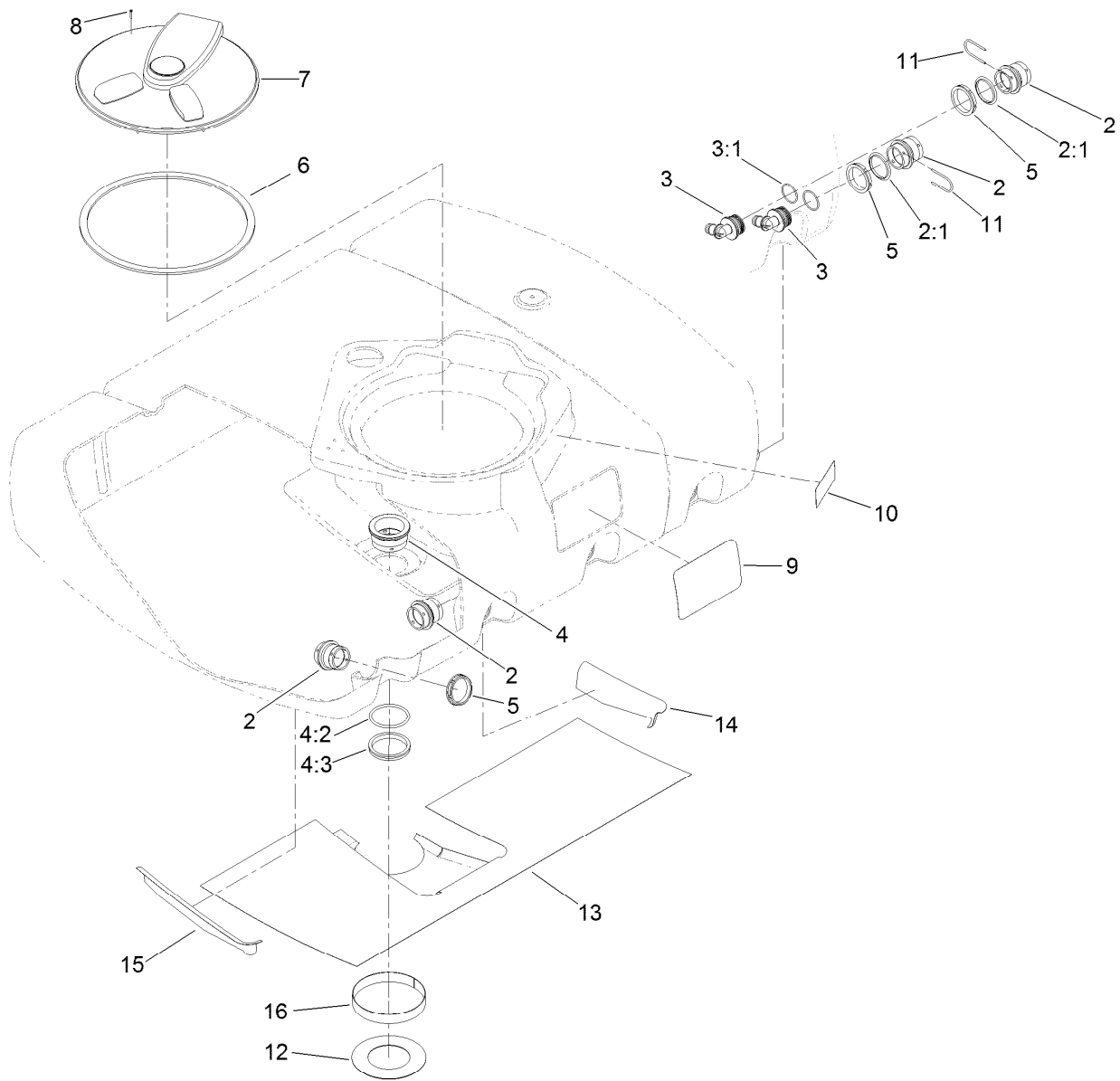
Ref.	Part Number	Qty.	Description
99:5	120-0778	6	Disc-Diaphragm
99:6	120-0779	6	Diaphragm

● Not serviced separately



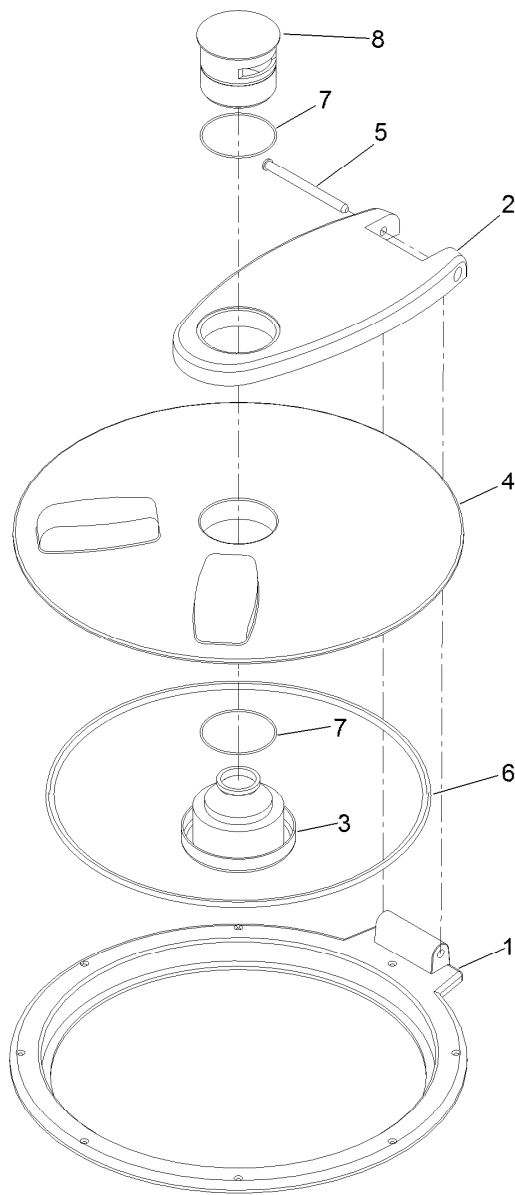
Spray Tank Assembly

Ref.	Part Number	Qty.	Description	Ref.	Part Number	Qty.	Description
1	138-8371	1	200 Gallon Tank	19	323-58	2	Bolt-TAP, HH
2	100-8642	1	Screen-Suction	20	104-8301	4	Nut-HF, NI
3	130-7096	1	Filter ASM	22	127-3920-03	1	Bracket-Storage
4	100-8641	1	Vane-Screen	23	3290-343	4	Pin-Hair
5	117-7928	1	Adapter ASM	24	41316	1	Adapter-Quick
5:2	100-6989	1	O-Ring	25	100-6714	1	Foot-Tube, Suction
6	110-5082-03	1	Bracket-Anti Siphon	26	108-3270	1	Screw-TAP
7	41140	1	Elbow	27	125-8128	1	Tube-Suction
8	110-5090	1	Grommet	28	100-8649	1	Hose-Suction
9	110-5088	1	Hose-Fill	29	2412-130	2	Clamp-Hose
10	100-6779	1	Coupling-Female	30	3234-7	2	Screw-HHF
11	108-0069	1	Valve-Ball	31	3231-21	2	Screw-CARR
12	110-5224	1	Fitting-Barbed, Straight	32	3234-5	2	Screw-HHF
13	2412-34	1	Clamp-Hose	35	132-7787	1	Coupler-Quick
14	100-8635	6	Fork	36	114-9566	1	Clamp-R
15	117-7996	1	Fork	37	104-8300	1	Nut-HF, NI
16	119-9419	1	Basket-Filter	38	3290-378	1	Tie-Cable
17	125-4081-03	4	Band-Tank	39	136-2272	1	Tubing-Convoluted, Slit
18	3256-24	4	Washer-Plain				



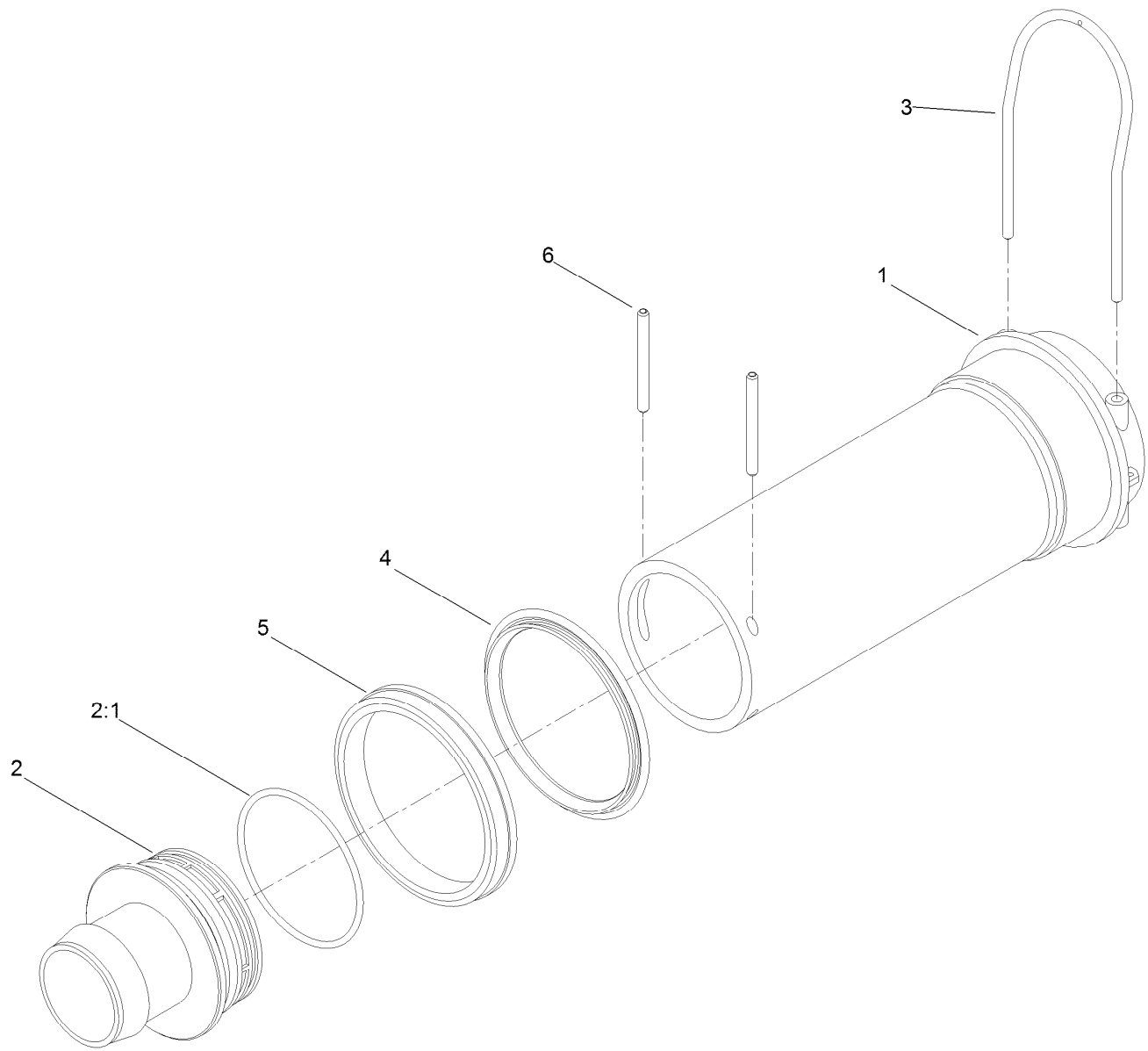
200 Gallon Spray Tank Assembly No. 138-8371

<i>Ref.</i>	<i>Part Number</i>	<i>Qty.</i>	<i>Description</i>	<i>Ref.</i>	<i>Part Number</i>	<i>Qty.</i>	<i>Description</i>
2	108-3358	6	Fitting-Bulkhead	8	107-8635	8	Screw-PFH
2:1	107-2864	1	Gasket-Bulkhead	9	125-8064	2	Decal-Tank
3	106-4933	2	Hosebarb ASM	10	120-0622	1	Decal-Warning
3:1	100-8637	1	O-Ring	11	100-8635	2	Fork
4	117-7851	1	Bulkhead ASM	12	127-3967	1	Shield-Sump, Bottom
4:2	100-8646	1	Gasket-Bulkhead	13	127-3960	1	Shield-Sump, Center
4:3	100-8647	1	Nut-Bulkhead	14	127-3962	1	Shield-Sump, Rear
5	100-7051	6	Nut-Bulkhead	15	127-3961	1	Shield-Sump, Front
6	119-9378	1	Gasket-Lid, Tank	16	127-3988	1	Shield-Sump, Side
7	138-6283	1	Lid ASM - Sprayer Tank				



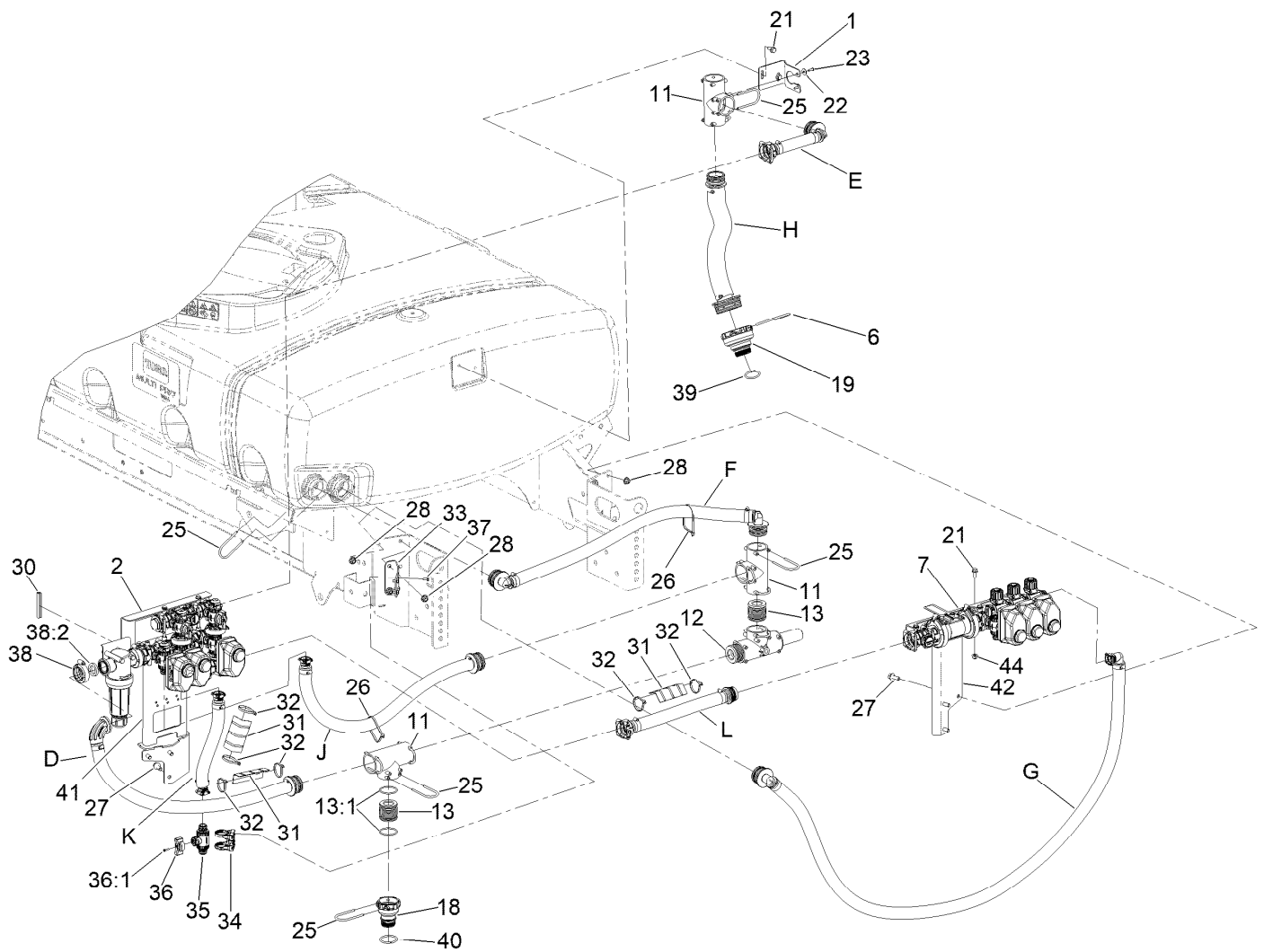
Spray Tank Lid Assembly No. 138-6283

<i>Ref.</i>	<i>Part Number</i>	<i>Qty.</i>	<i>Description</i>
1	119-9381	1	Ring-Lid
2	119-9382	1	Arm-Lid
3	119-9383	1	Vent-Lid
4	119-9384	1	Cover-Lid
5	119-9385	1	Pin-Pivot
6	138-6281	1	Seal - Tank Lid
7	119-9386	2	O-Ring
8	119-9387	1	Cap-Lid



Filter Assembly No. 130-7096

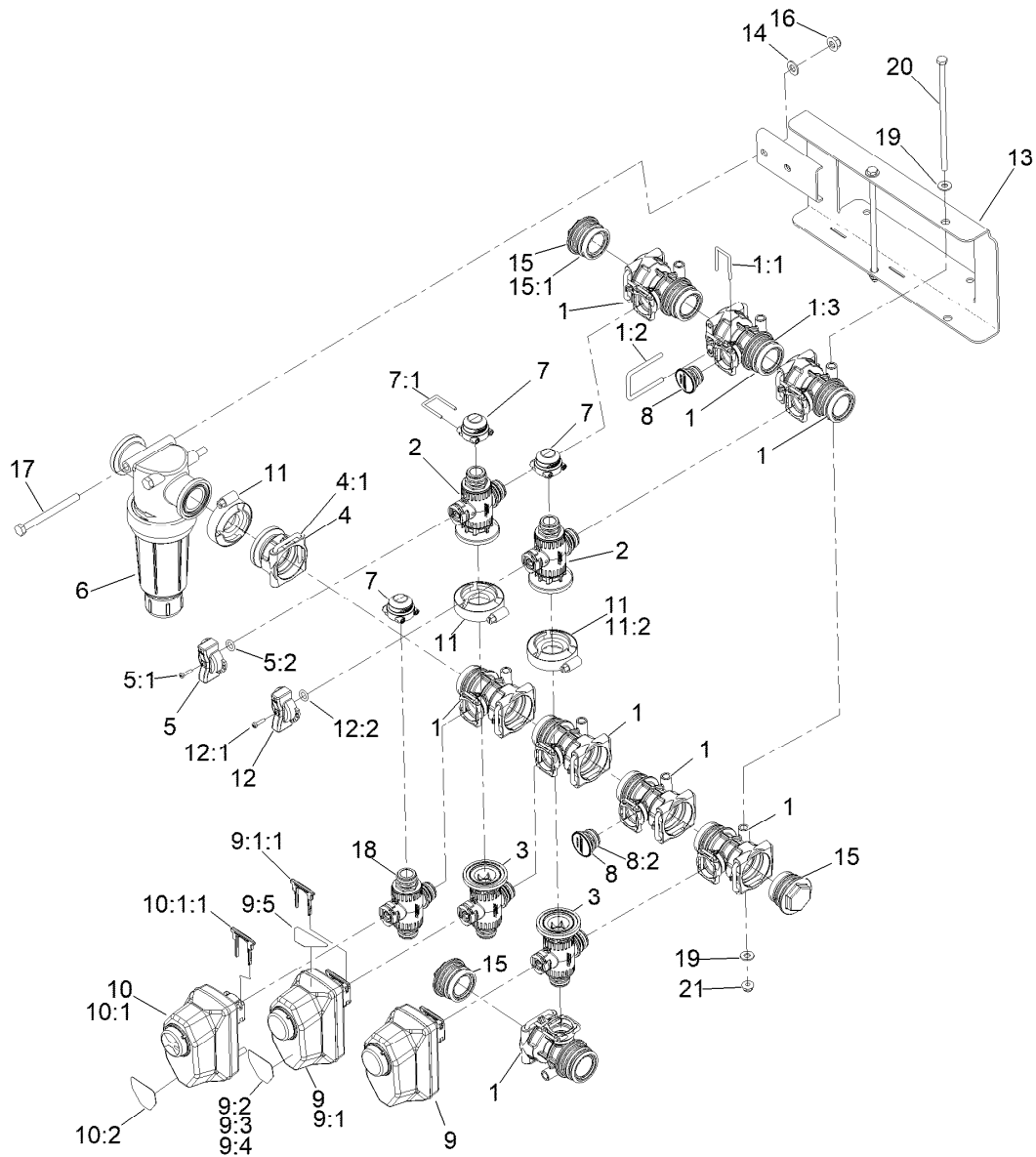
<i>Ref.</i>	<i>Part Number</i>	<i>Qty.</i>	<i>Description</i>
1	100-8643	1	Housing-Filter
2	106-4942	1	Hosebarb-Straight
2:1	100-6989	1	O-Ring
3	100-8636	1	Fork-Special
4	100-8646	1	Gasket-Bulkhead
5	100-8647	1	Nut-Bulkhead
6	100-8644	2	Pin-Expansion



Spray Valve Assembly

Ref.	Part Number	Qty.	Description	Ref.	Part Number	Qty.	Description
1	131-3704	1	Bracket-Fitting, Tee	31	AU112950	3	Protector-Hose
2		1	Manifold ASM, Agitation ●	32	3290-378	6	Tie-Cable
6	117-7996	1	Fork	33	132-4325-03	1	Mount-Bracket, Agitation
7		1	Manifold ASM, Section ●	34	132-4302	1	Mount-Valve
11	100-6704	3	Tee	35	131-0249	1	On/Off 2-Way Valve Kit
12	117-7874	1	Relief Valve ASM	36	131-0264	1	Agitation Throttling Handle Kit
13	106-4947	2	Connector	36:1	131-0263	1	Screw-Handle
13:1	100-8637	2	O-Ring	37	33113-012	4	Screw-HH
18	133-2881	1	Fitting	38	127-9829	1	Clamp/Gasket Kit
19	133-2883	1	Fitting	38:2	127-1145	1	Gasket-Flange
21	3234-47	6	Screw-HHF	39	133-2882	1	O-Ring
22	3256-61	2	Washer-Flat	40	133-2884	1	O-Ring
23	32144-32	2	Screw-PPH	41	161-4124-03	1	Mount-Valves, Mpwm [black]
25	100-8635	12	Fork	42	147-4686-03	1	Mount-Valves, Boom Mpwn [black]
26	3290-379	2	Tie-Cable	44	104-8300	4	Nut-HF, NI
27	3234-42	6	Screw-HHF				
28	104-8301	6	Nut-HF, NI				
30	131-9636	1	Trim-Manifold, Agitation				

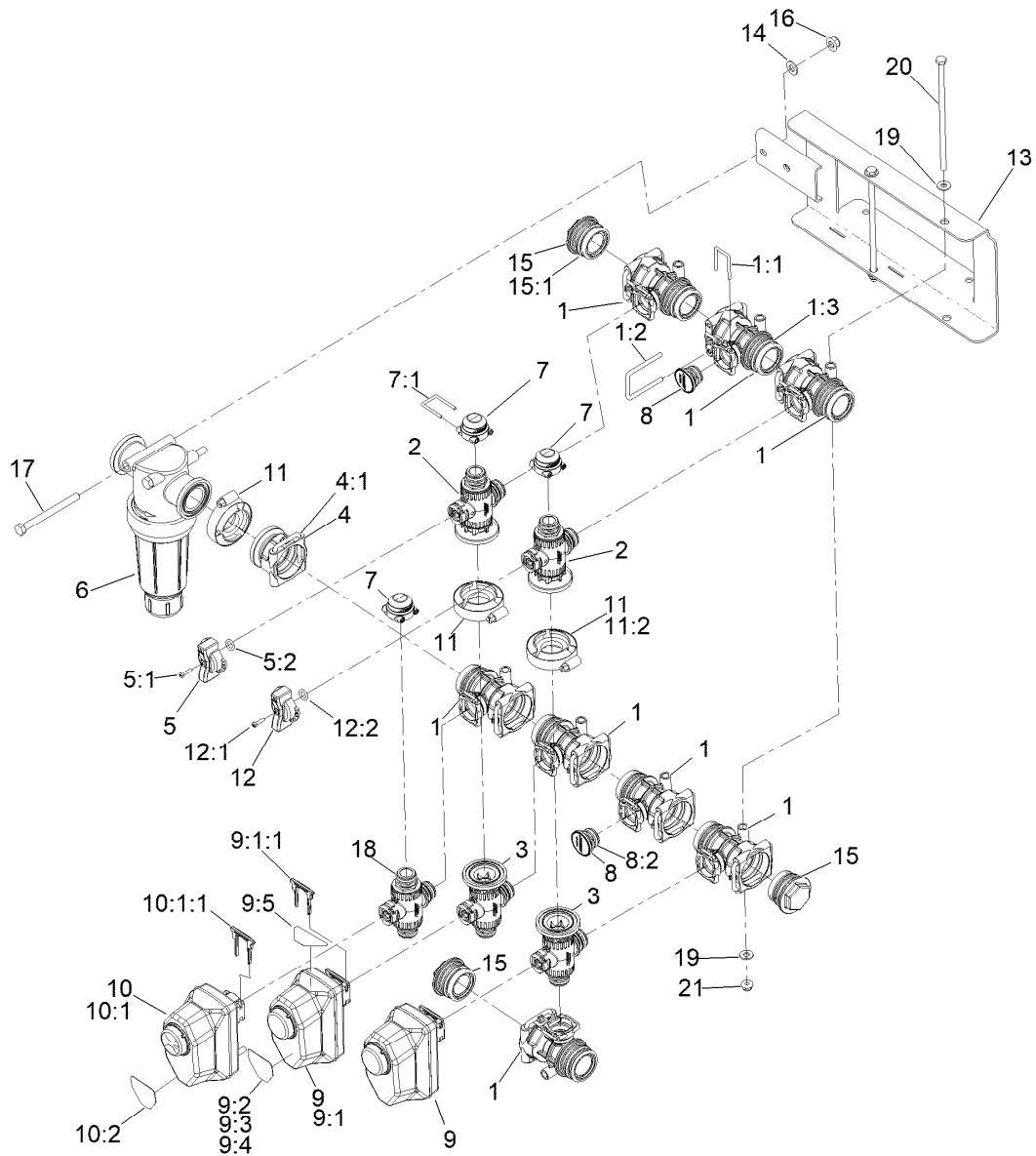
● Not serviced separately



Agitation Manifold Assembly

Ref.	Part Number	Qty.	Description	Ref.	Part Number	Qty.	Description
1	147-3187	8	Kit-Qf, Manifold Tee	9	140-7377	2	Kit-Actuator Pi, On/Off
1:1	147-3185	1	Pin-Fork, Qf Small	9:1		1	Actuator - On/Off ●
1:2	147-3186	1	Pin-Fork, Qf Large	9:1:1	130-7301	1	Hairpin-Actuator
1:3	147-3188	1	Seal-Manifold, Qf Series	9:2	127-6979	1	Decal-Valve, Agitation
2	161-4110	2	Kit-Tx2 Manifold Valve, Reg	9:3	127-6981	1	Decal-Valve, On/Off
3	147-3192	2	Kit-Tx2, 3Way Flange Manifold	9:4	127-6982	1	Decal-Valve, Master Boom
4	147-3189	1	Kit-Qf, Flange-M100 Female	9:5	127-6976	1	Decal-Valve, Bypass Adjust
4:1	147-3186	1	Pin-Fork, Qf Large	10	144-6163	1	Kit-Actuator Regulating Pi
5	131-0265	1	Agitation Regulating Handle Kit	10:1		1	Actuator-Regulating Pi ●
5:1	131-0263	1	Screw-Handle	10:1:1	130-7301	1	Hairpin-Actuator
5:2	127-1197	1	O-Ring-Stem	10:2	127-6984	1	Decal-Valve, Regulating
6	131-3791	1	Filter-Pressure	11	127-9829	3	Clamp/Gasket Kit
7	127-9811	3	Fitting-Cap, Female	11:2	127-1145	1	Gasket-Flange
7:1	133-0398	1	Pin-Fork	12	131-0266	1	Master Regulating Handle Kit
8	127-9810	2	Male Cap Fitting Kit	12:1	131-0263	1	Screw-Handle
8:2	127-1187	1	O-Ring, Endcap	12:2	127-1197	1	O-Ring-Stem
				13	161-4105	1	Agitation-Mount, ASM

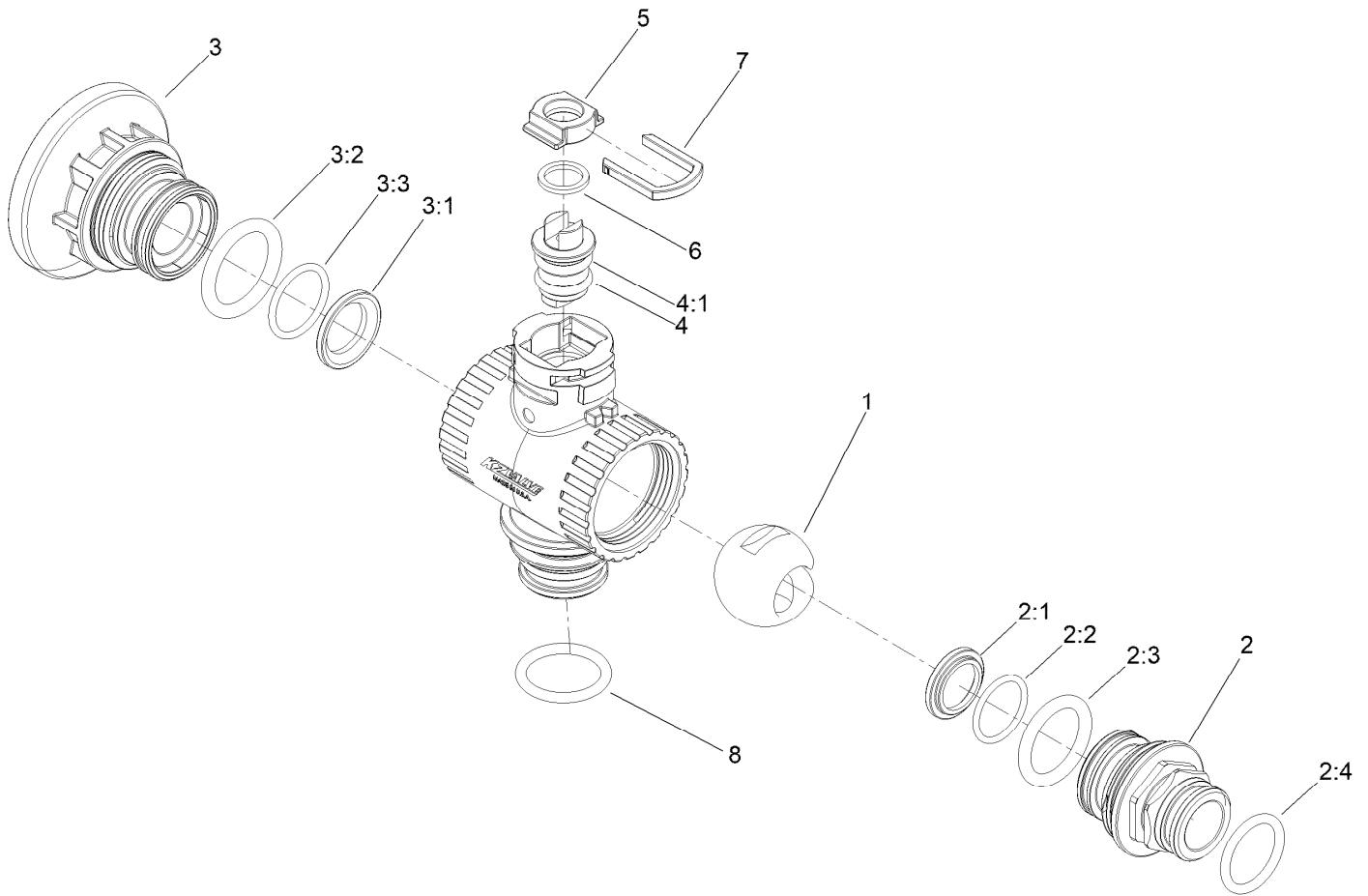
● Not serviced separately



Agitation Manifold Assembly (continued)

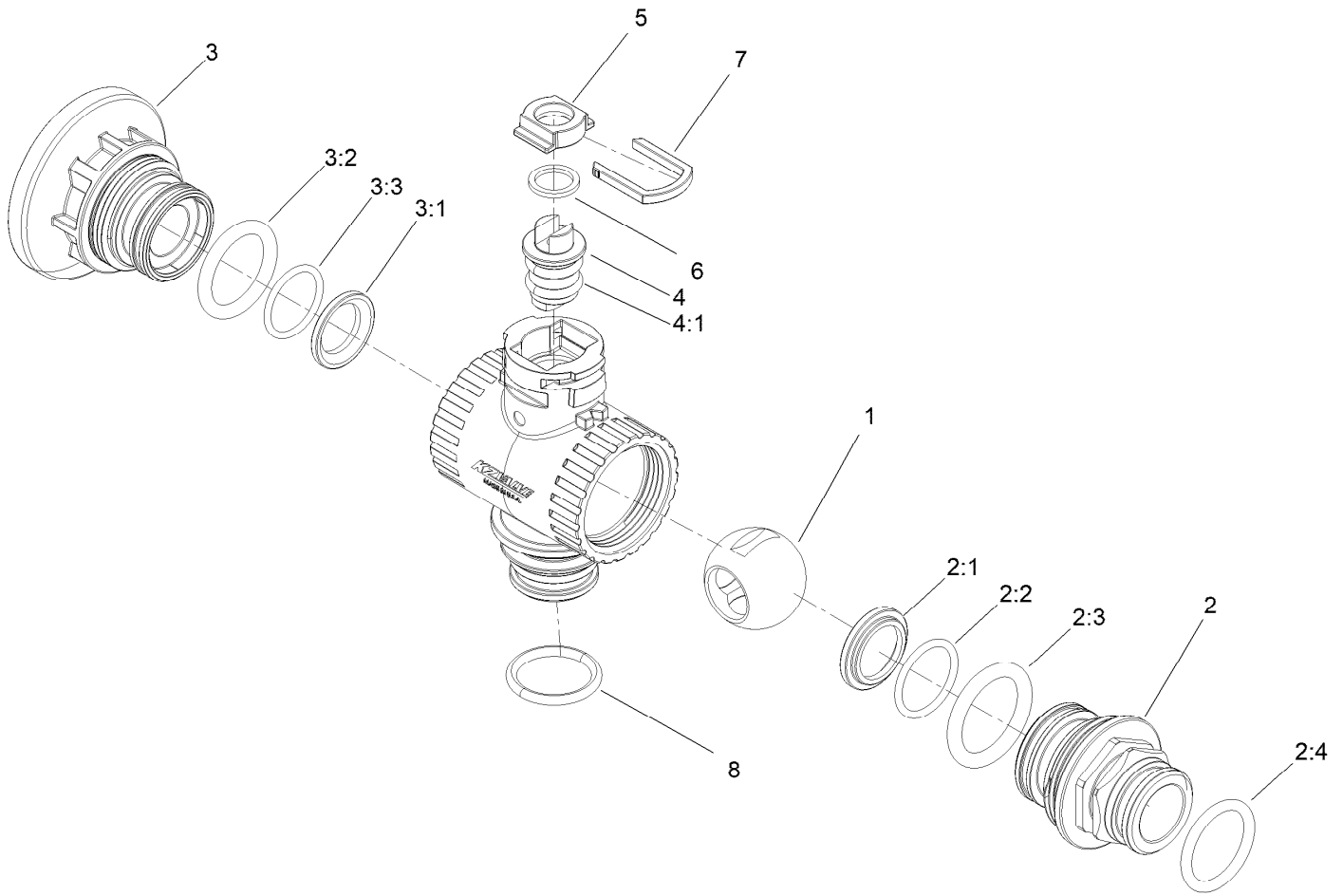
<i>Ref.</i>	<i>Part Number</i>	<i>Qty.</i>	<i>Description</i>	<i>Ref.</i>	<i>Part Number</i>	<i>Qty.</i>	<i>Description</i>
14	3256-23	2	Washer-Plain	18	161-4111	1	Kit-Tx2 Manifold Qd, Reg
15	147-3193	3	Kit Qf, Plug-Male W/O Port	19	3256-22	4	Washer-Flat
15:1	147-3188	1	Seal-Manifold, Qf Series	20	161-4128	2	Screw-HH
16	104-8300	2	Nut-HF, NI	21	104-7201	2	Nut-HF, NI
17	322-22	2	Screw-HH				

● Not serviced separately



M100 Manifold Assembly No. 161-4110

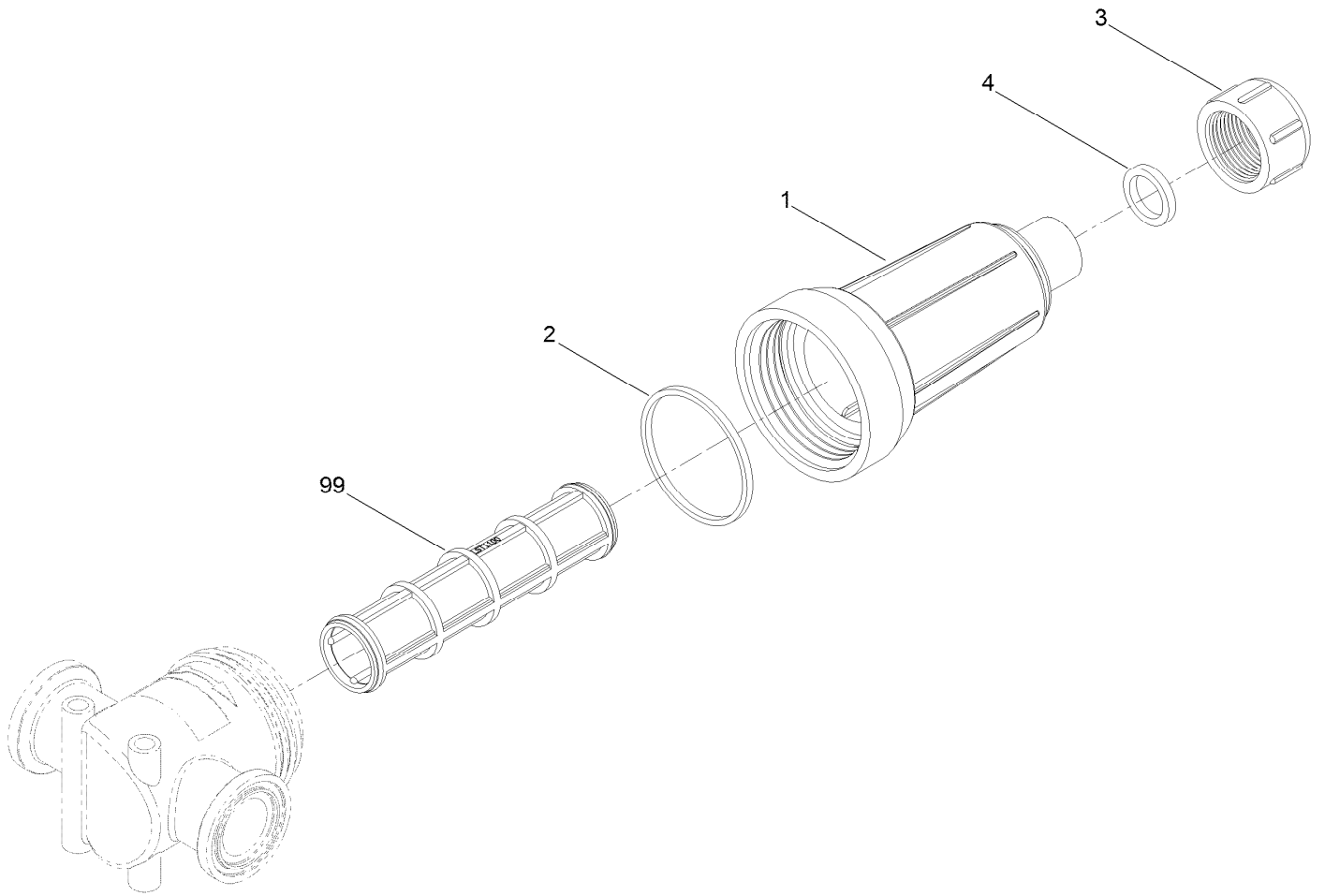
<i>Ref.</i>	<i>Part Number</i>	<i>Qty.</i>	<i>Description</i>	<i>Ref.</i>	<i>Part Number</i>	<i>Qty.</i>	<i>Description</i>
1	127-1113	1	Ball-V	3:2	127-1188	1	O-Ring, Seat (Ball)
2	130-7317	1	Endcap Kit	3:3	127-1189	1	O-Ring, Endcap
2:1	127-1192	1	Seat-Ball	4	130-8248	1	Valve Stem Kit
2:2	127-1188	1	O-Ring, Seat (Ball)	4:1	127-1197	2	O-Ring-Stem
2:3	127-1189	1	O-Ring, Endcap	5	127-1195	1	Seat-Stem, Valve
2:4	127-1187	1	O-Ring, Endcap	6	127-1196	1	Washer-Stem, Valve
3	130-8249	1	Endcap Kit	7	127-1190	1	Fork-Stem, Valve
3:1	127-1192	1	Seat-Ball	8	127-1187	1	O-Ring, Endcap



3-Way Flange Manifold Assembly No. 147-3192

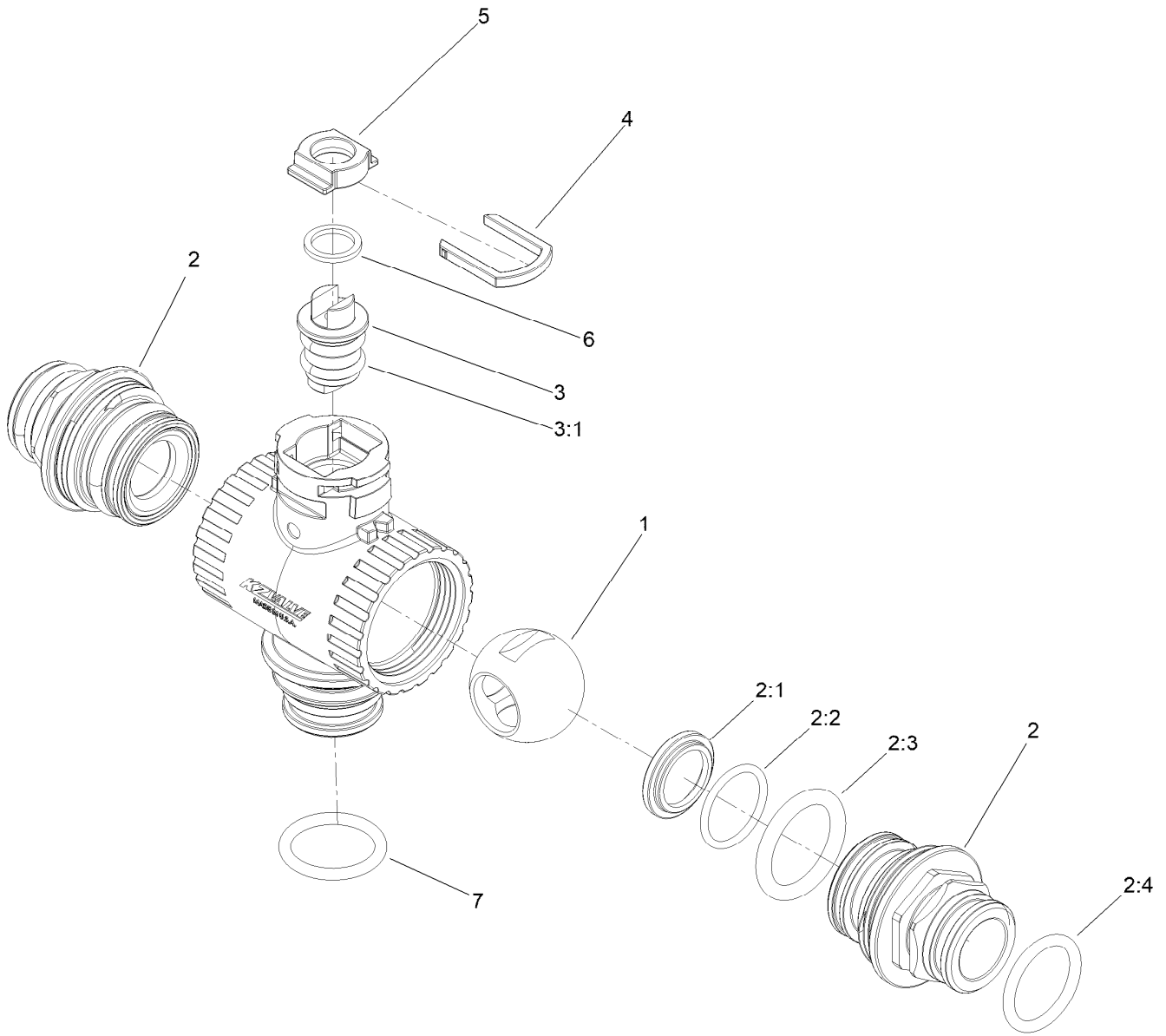
<i>Ref.</i>	<i>Part Number</i>	<i>Qty.</i>	<i>Description</i>
1	127-1194	1	Ball-Valve, 3Way
2	130-7317	1	Endcap Kit
2:1	127-1192	1	Seat-Ball
2:2	127-1188	1	O-Ring, Seat (Ball)
2:3	127-1189	1	O-Ring, Endcap
2:4	127-1187	1	O-Ring, Endcap
3	130-8249	1	Endcap Kit
3:1	127-1192	1	Seat-Ball

<i>Ref.</i>	<i>Part Number</i>	<i>Qty.</i>	<i>Description</i>
3:2	127-1188	1	O-Ring, Seat (Ball)
3:3	127-1189	1	O-Ring, Endcap
4	130-8248	1	Valve Stem Kit
4:1	127-1197	2	O-Ring-Stem
5	127-1195	1	Seat-Stem, Valve
6	127-1196	1	Washer-Stem, Valve
7	127-1190	1	Fork-Stem, Valve
8	127-1187	1	O-Ring, Endcap



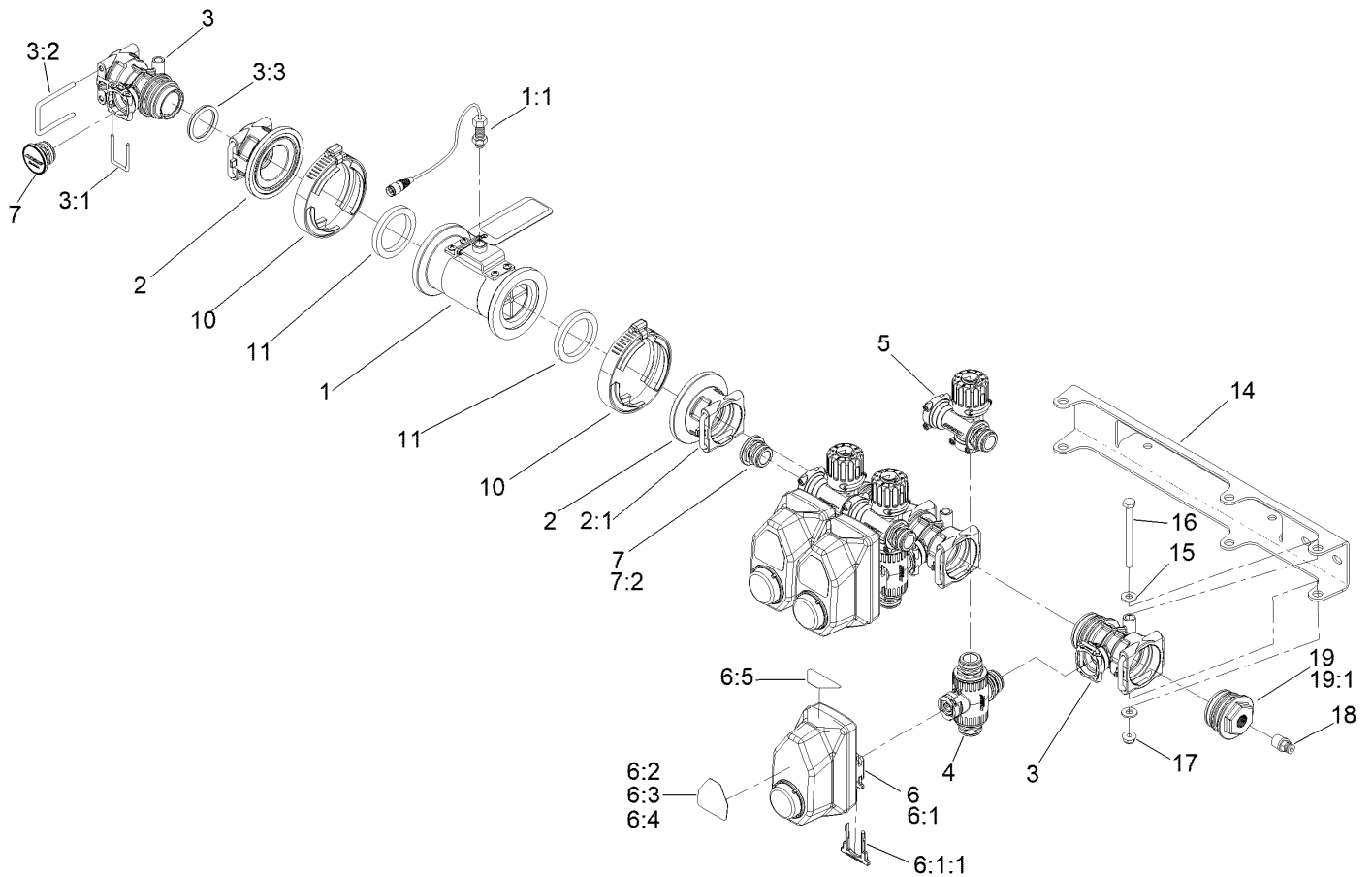
Pressure Filter Assembly No. 131-3791

<i>Ref.</i>	<i>Part Number</i>	<i>Qty.</i>	<i>Description</i>
1	136-0397	1	Bowl-Strainer
2	136-0398	1	Rubber-Gasket
3	136-0410	1	Strainer Cap
4	136-0399	1	Rubber-Gasket
99	133-0384	1	Screen-Teejet, 30 Mesh
99	133-0385	1	Screen-Teejet, 50 Mesh
99	133-0386	1	Screen-Teejet, 80 Mesh
99	133-0387	1	Screen-Teejet, 100 Mesh



QD Manifold Assembly No. 161-4111

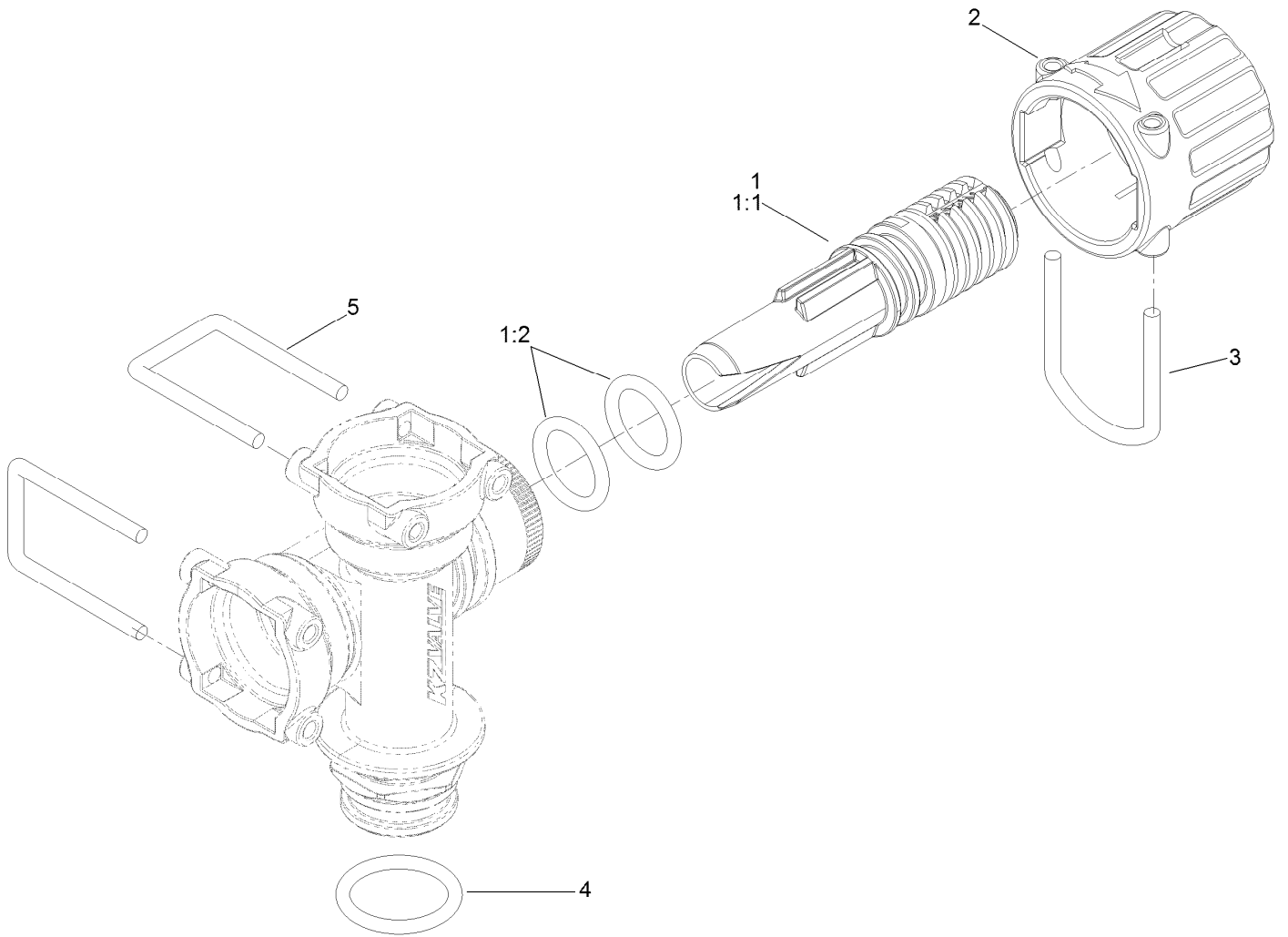
Ref.	Part Number	Qty.	Description
1	127-1113	1	Ball-V
2	130-7317	2	Endcap Kit
2:1	127-1192	1	Seat-Ball
2:2	127-1188	1	O-Ring, Seat (Ball)
2:3	127-1189	1	O-Ring, Endcap
2:4	127-1187	1	O-Ring, Endcap
3	130-8248	1	Valve Stem Kit
3:1	127-1197	2	O-Ring-Stem
4	127-1190	1	Fork-Stem, Valve
5	127-1195	1	Seat-Stem, Valve
6	127-1196	1	Washer-Stem, Valve
7	127-1187	1	O-Ring, Endcap



Section Manifold Assembly

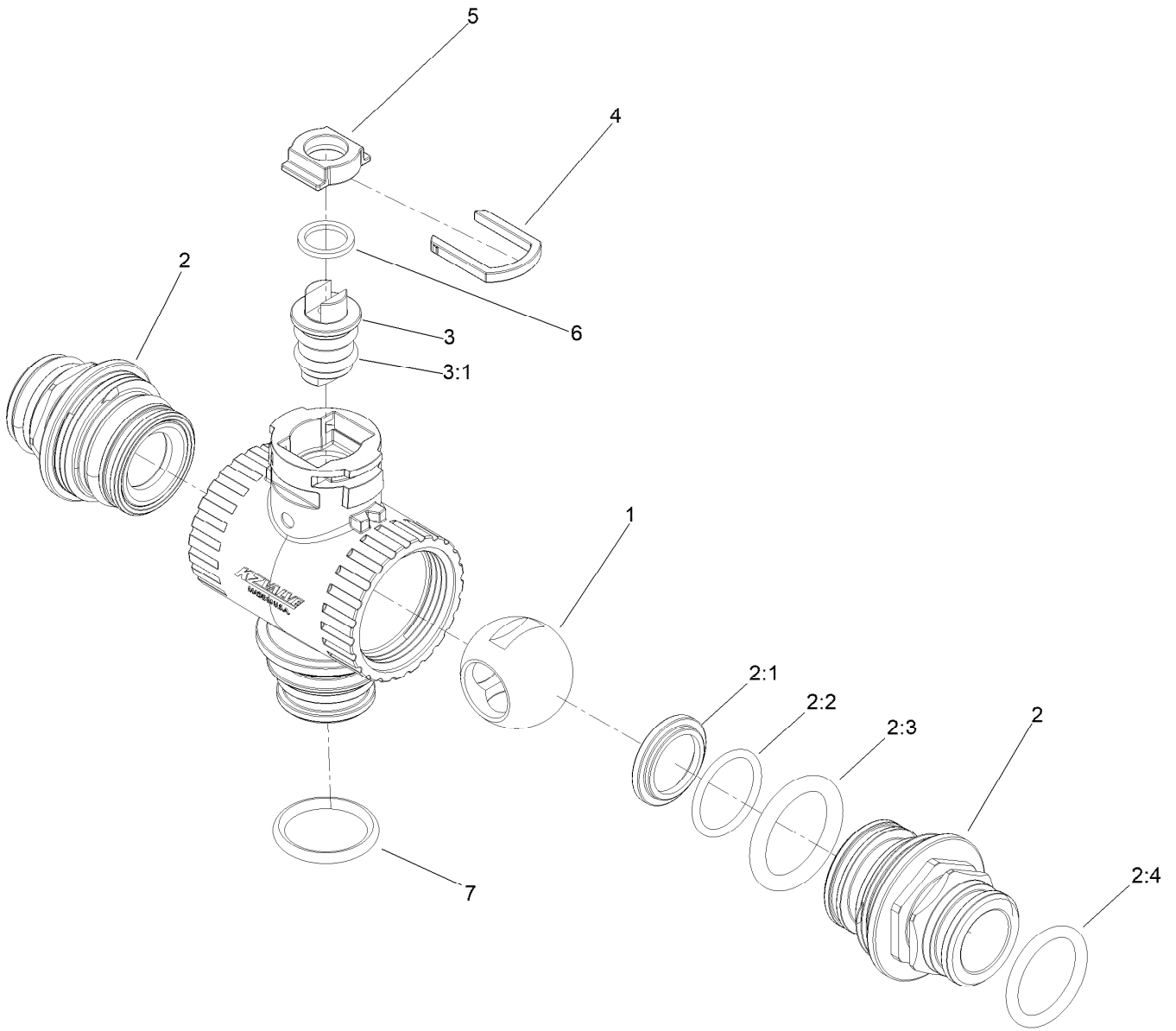
Ref.	Part Number	Qty.	Description	Ref.	Part Number	Qty.	Description
1	147-4730	1	Flow Meter ASM	6:3	127-6981	1	Decal-Valve, On/Off
1:1	147-4733	1	Sensor - Flow Meter, Fm270Pif	6:4	127-6982	1	Decal-Valve, Master Boom
2	147-3197	2	Kit Qf, Flange-M200 Female	6:5	127-6976	1	Decal-Valve, Bypass Adjust
2:1	147-3186	1	Pin-Fork, Qf Large	7	127-9810	2	Male Cap Fitting Kit
3	147-3187	4	Kit-Qf, Manifold Tee	7:2	127-1187	1	O-Ring, Endcap
3:1	147-3185	1	Pin-Fork, Qf Small	10	104-9089	2	Clamp-Screw, Worm
3:2	147-3186	1	Pin-Fork, Qf Large	11	104-9090	2	Gasket
3:3	147-3188	1	Seal-Manifold, Qf Series	14	147-4659	1	Brkt-Section
4	147-3183	3	Kit-Tx2 - 3Way Manifold	15	3256-22	6	Washer-Flat
5	127-9805	3	Bypass Valve ASM	16	321-23	3	Screw-HH
6	140-7377	3	Kit-Actuator Pi, On/Off	17	104-7201	3	Nut-HF, NI
6:1		1	Actuator - On/Off ●	18	131-3709	1	Coupler
6:1:1	130-7301	1	Hairpin-Actuator	19	161-4187	1	Kit Qf, Plug-Male W/Port
6:2	127-6979	1	Decal-Valve, Agitation	19:1	147-3188	1	Seal-Manifold, Qf Series

● Not serviced separately



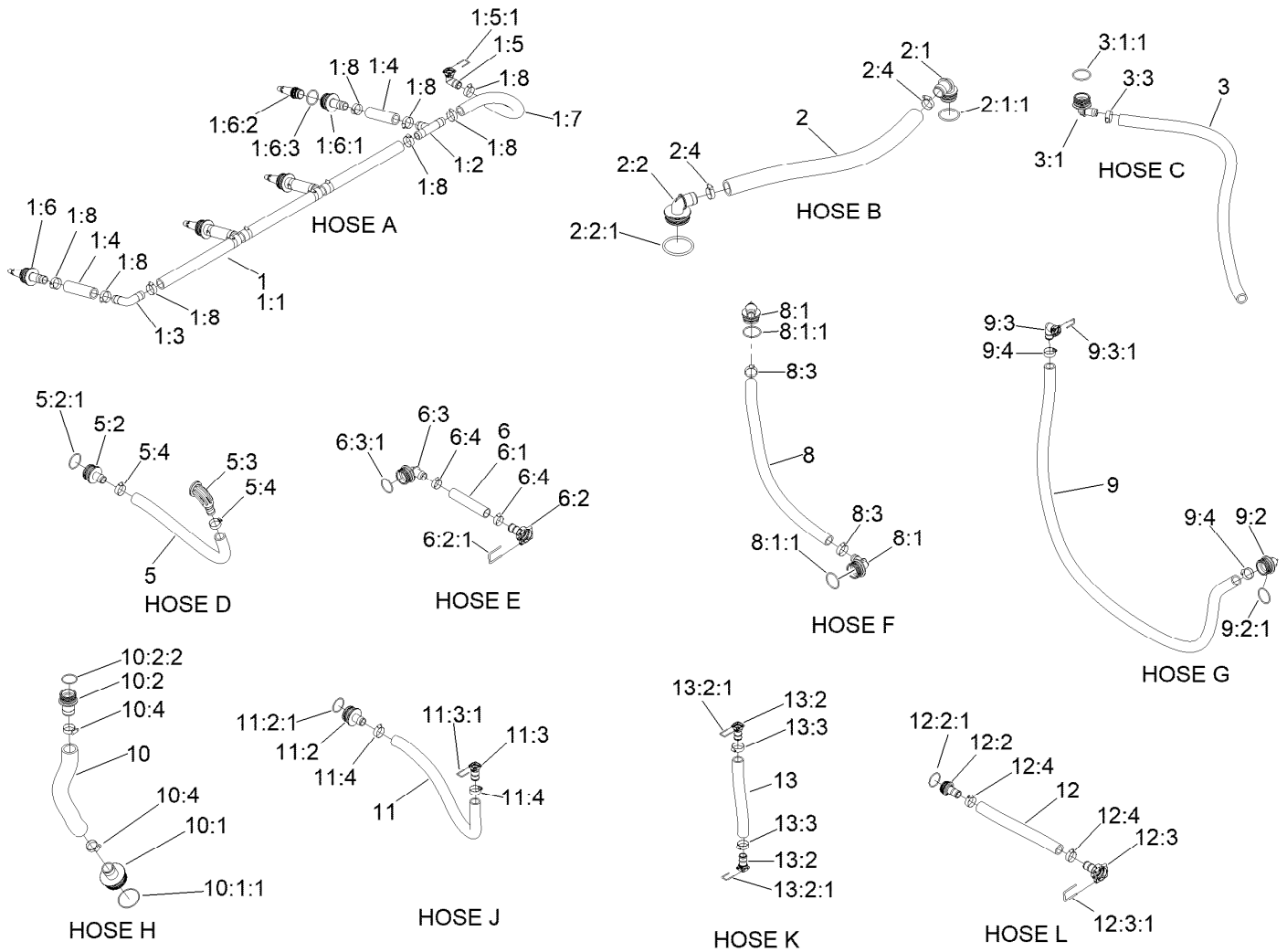
Bypass Valve Assembly No. 127-9805

<i>Ref.</i>	<i>Part Number</i>	<i>Qty.</i>	<i>Description</i>
1	131-0298	1	Bypass Needle Kit
1:1	127-1182	1	Needle-Bypass
1:2	127-1181	2	Oring-Bypass Needle
2	127-1180	1	Knob-Bypass
3	127-1179	1	Fork-Bypass Knob
4	127-1187	1	O-Ring, Endcap
5	133-0398	2	Pin-Fork



3-Way Valve Assembly No. 147-3183

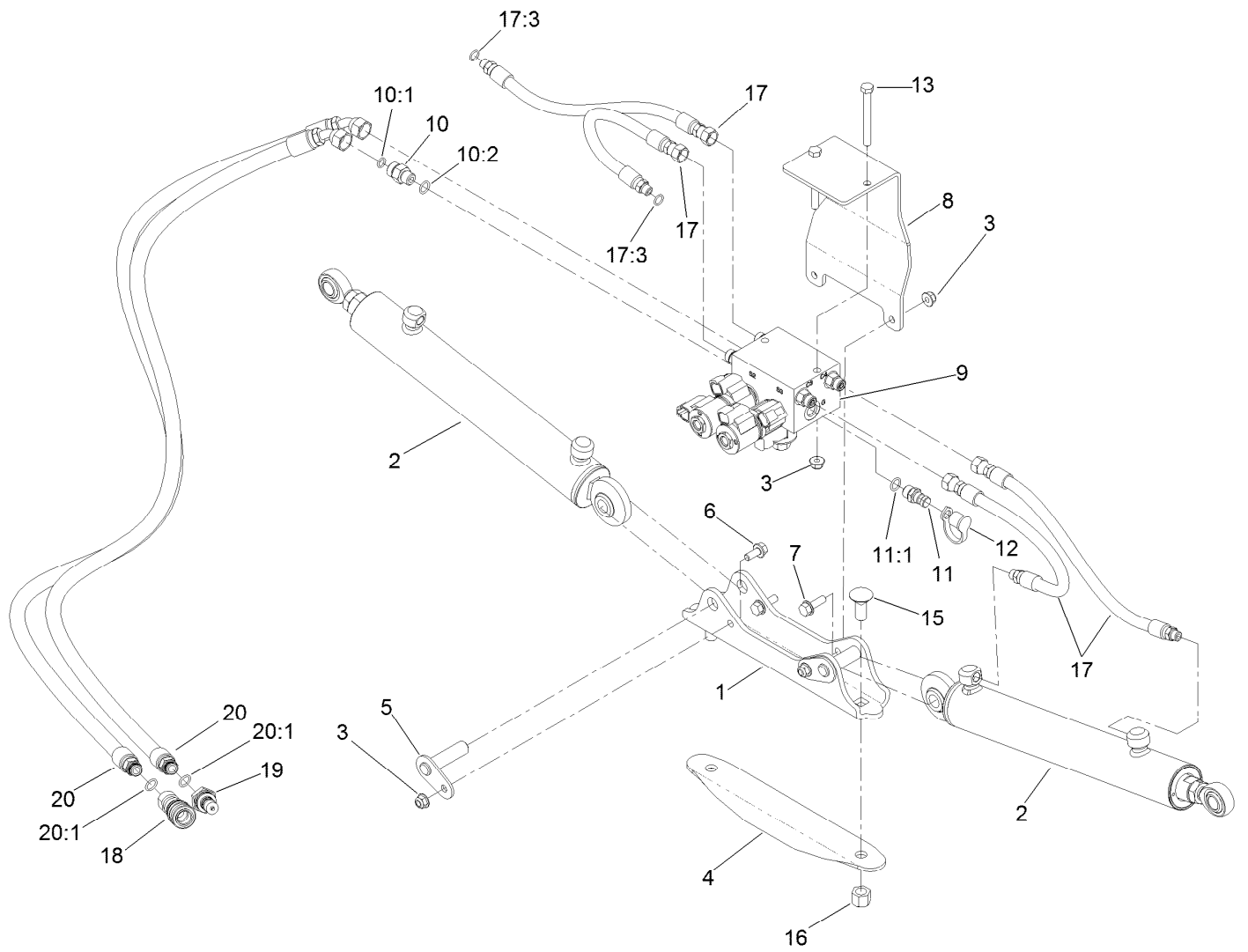
Ref.	Part Number	Qty.	Description
1	127-1194	1	Ball-Valve, 3Way
2	130-7317	2	Endcap Kit
2:1	127-1192	1	Seat-Ball
2:2	127-1188	1	O-Ring, Seat (Ball)
2:3	127-1189	1	O-Ring, Endcap
2:4	127-1187	1	O-Ring, Endcap
3	130-8248	1	Vavle Stem Kit
3:1	127-1197	2	O-Ring-Stem
4	127-1190	1	Fork-Stem, Valve
5	127-1195	1	Seat-Stem, Valve
6	127-1196	1	Washer-Stem, Valve
7	127-1187	1	O-Ring, Endcap



Hose Assembly (continued)

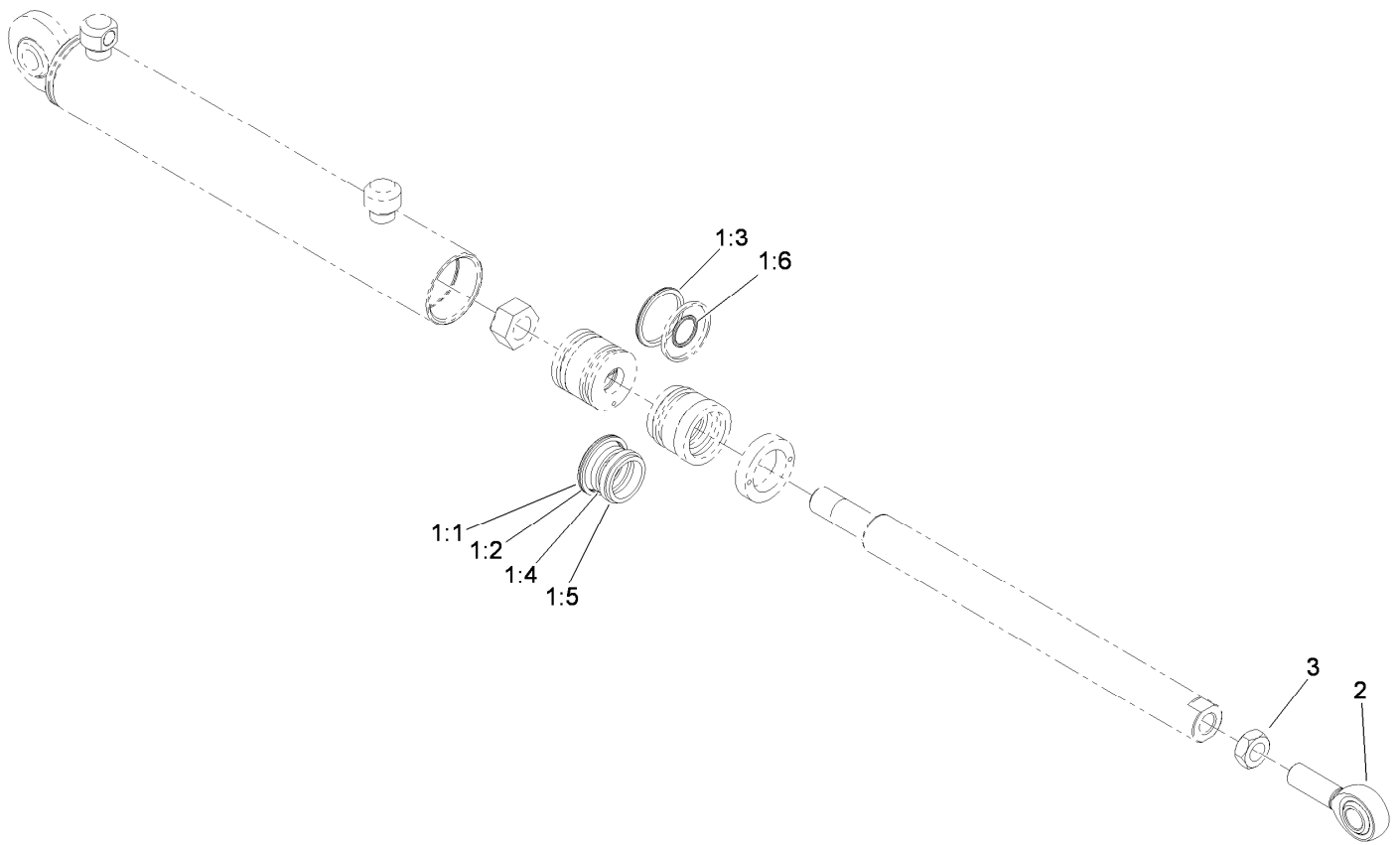
Ref.	Part Number	Qty.	Description
9:2:1	100-8637	1	O-Ring
9:3	131-0213	1	90 DEG Barb Fitting Kit
9:3:1	133-0398	1	Pin-Fork
9:4	2412-34	2	Clamp-Hose
10	125-0643	1	Lower Suction Hose ASM
10:1	117-7965	1	Hosebarb ASM
10:1:1	100-6989	1	O-Ring
10:2	117-7982	1	Hosebarb ASM
10:2:2	100-8637	1	O-Ring
10:4	41327	2	Clamp-Hose
11	132-4330	1	Hose-Regulating
11:2	106-4932	1	Hosebarb-Straight
11:2:1	100-8637	1	O-Ring
11:3	127-9806	1	Fitting Kit

Ref.	Part Number	Qty.	Description
11:3:1	133-0398	1	Pin-Fork
11:4	2412-34	2	Clamp-Hose
12	161-4127	1	Hose ASM, Flow-Meter
12:2	161-4116	1	Kit-Fitting, Qf 1" Barb Male
12:2:1	147-3188	1	Seal-Manifold, Qf Series
12:3	161-4117	1	Kit-Fitting, Qf 1" Barb Female
12:3:1	147-3186	1	Pin-Fork, Qf Large
12:4	2412-34	2	Clamp-Hose
13	132-4326	1	Hose-Agitation, Supply
13:2	127-9806	2	Fitting Kit
13:2:1	133-0398	1	Pin-Fork
13:3	2412-34	2	Clamp-Hose



Boom Lift Assembly

Ref.	Part Number	Qty.	Description	Ref.	Part Number	Qty.	Description
1	119-4856-03	1	Plate-Mount, Cylinders	11	59-7410	1	Fitting-Diagnostic
2	117-0701	2	Hydraulic Cylinder ASM	11:1	237-42	1	O-Ring
3	104-8300	6	Nut-HF, NI	12	354-79	1	Cap-Dust
4	131-0297-03	1	Plate-Stiffener, Boom	13	322-14	2	Screw-HH
5	112-7884	2	Pin-Pivot	15	110-5067	2	Screw-CARR
6	110-5053	2	Screw-HHF	16	99-5107	2	Nut-Lock
7	3234-29	2	Screw-HHF	17	119-4859	4	Hose ASM
8	130-8201-03	1	Mount-Valve	17:3	237-78	1	O-Ring
9	136-2400	1	On-Off Boom Lift Valve ASM	18	106-7968	1	Coupler-Quick, Female
10	340-2	2	Fitting-Straight	19	106-7969	1	Coupler-Quick, Male
10:1	237-22	1	O-Ring	20	127-9717	2	Hose ASM
10:2	237-42	1	O-Ring	20:1	237-42	1	O-Ring

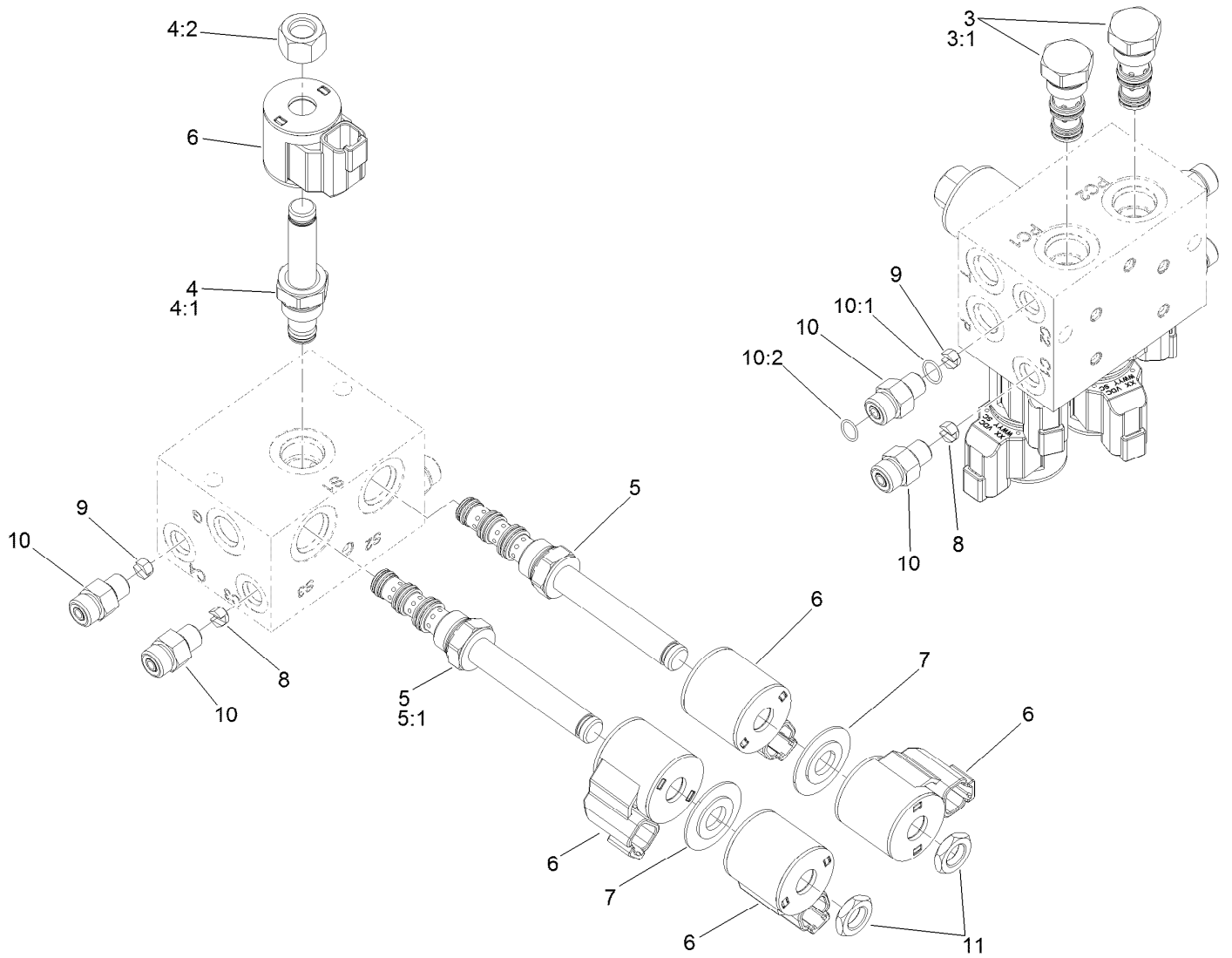


Hydraulic Cylinder Assembly No. 117-0701

<i>Ref.</i>	<i>Part Number</i>	<i>Qty.</i>	<i>Description</i>
1	119-8026	1	Seal Kit ●
1:1		1	O-Ring ■
1:2		1	Ring-Backup ■
1:3		1	Bp Seal ■
1:4		1	Bs Seal ■
1:5		1	Dust Seal ■
1:6		1	O-Ring ■
2	119-8027	1	Rod End
3	3220-6	1	Nut-Jam

● Not illustrated

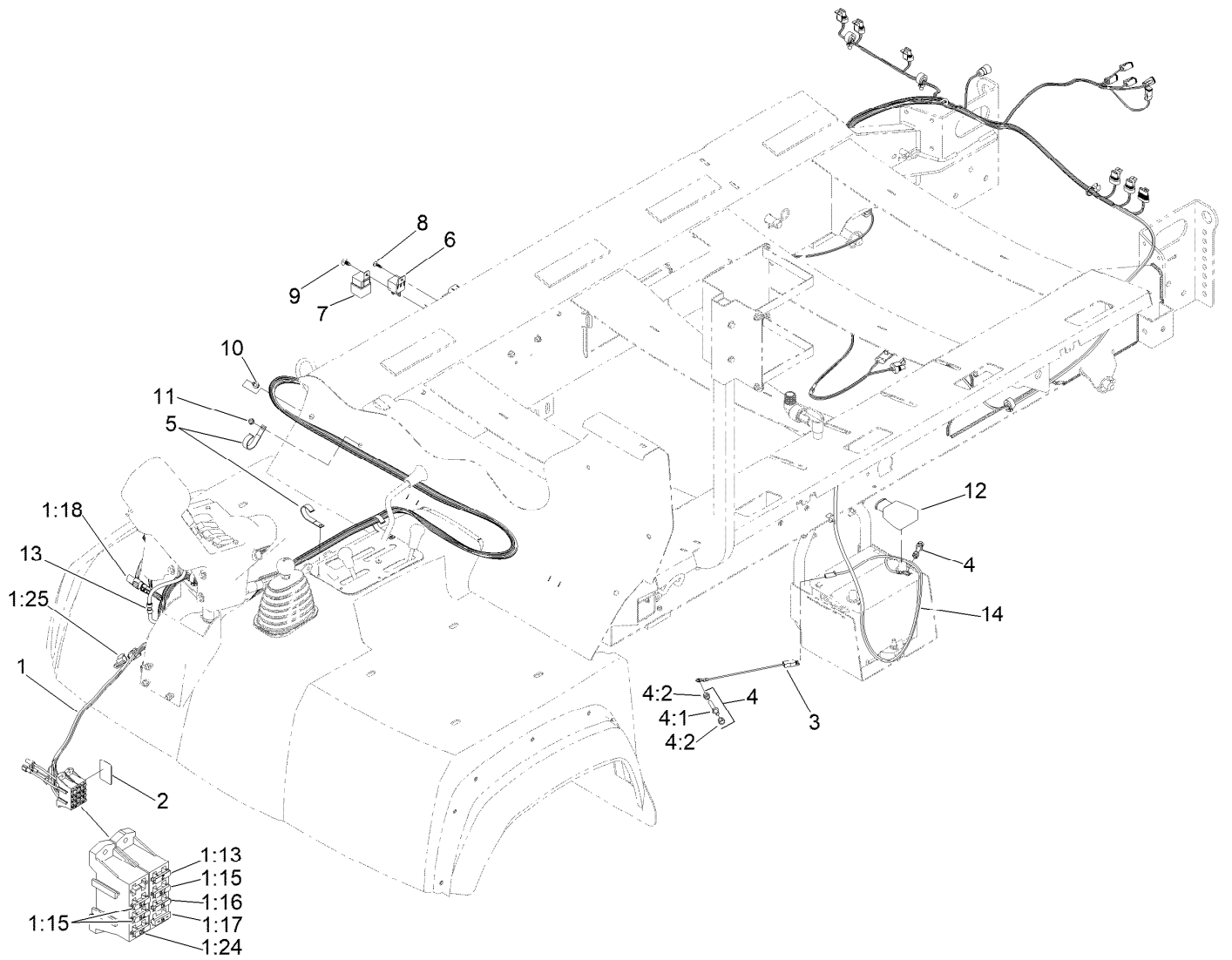
■ Not serviced separately



On-Off Boom Lift Valve Assembly No. 136-2400

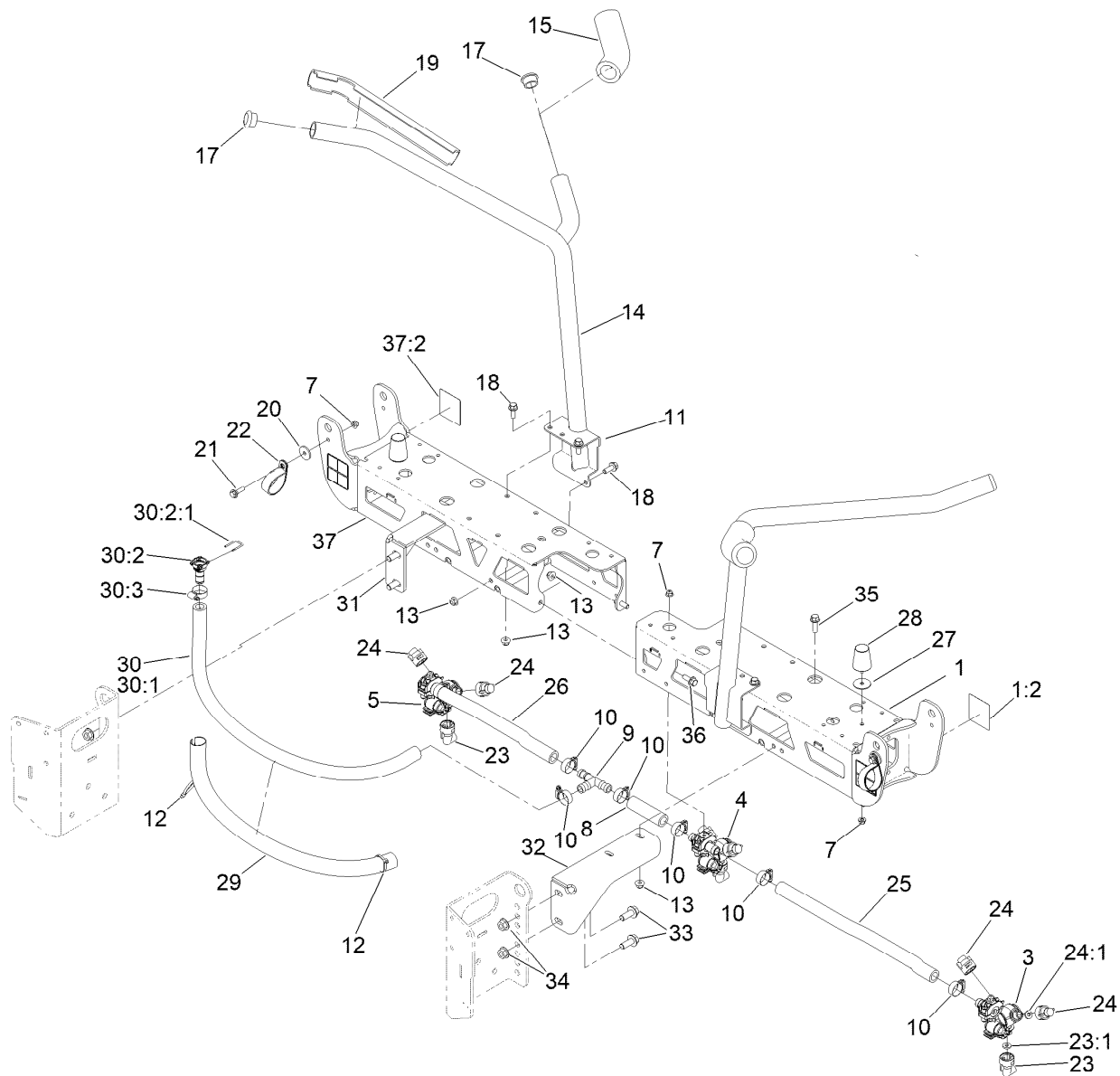
Ref.	Part Number	Qty.	Description
3	136-2430	2	Valve-Check, Po
3:1	120-0886	1	Seal Kit
4	107-7517	1	Valve-Solenoid
4:1	105-9156	1	Seal Kit
4:2	107-7812	1	Nut-Solenoid
5	120-2587	2	Valve-Solenoid
5:1	112-6520	1	Seal Kit ●
6	119-8036	5	Coil
7	120-2586	2	Spacer-Coil
8	110-8903	2	Orifice-Control, Flow (0.055)
9	125-8849	2	Orifice-Flow Control
10	340-92	4	Fitting-Straight
10:1	237-78	1	O-Ring
10:2	237-21	1	O-Ring
11	110-2634	2	Nut-Coil

● Not illustrated



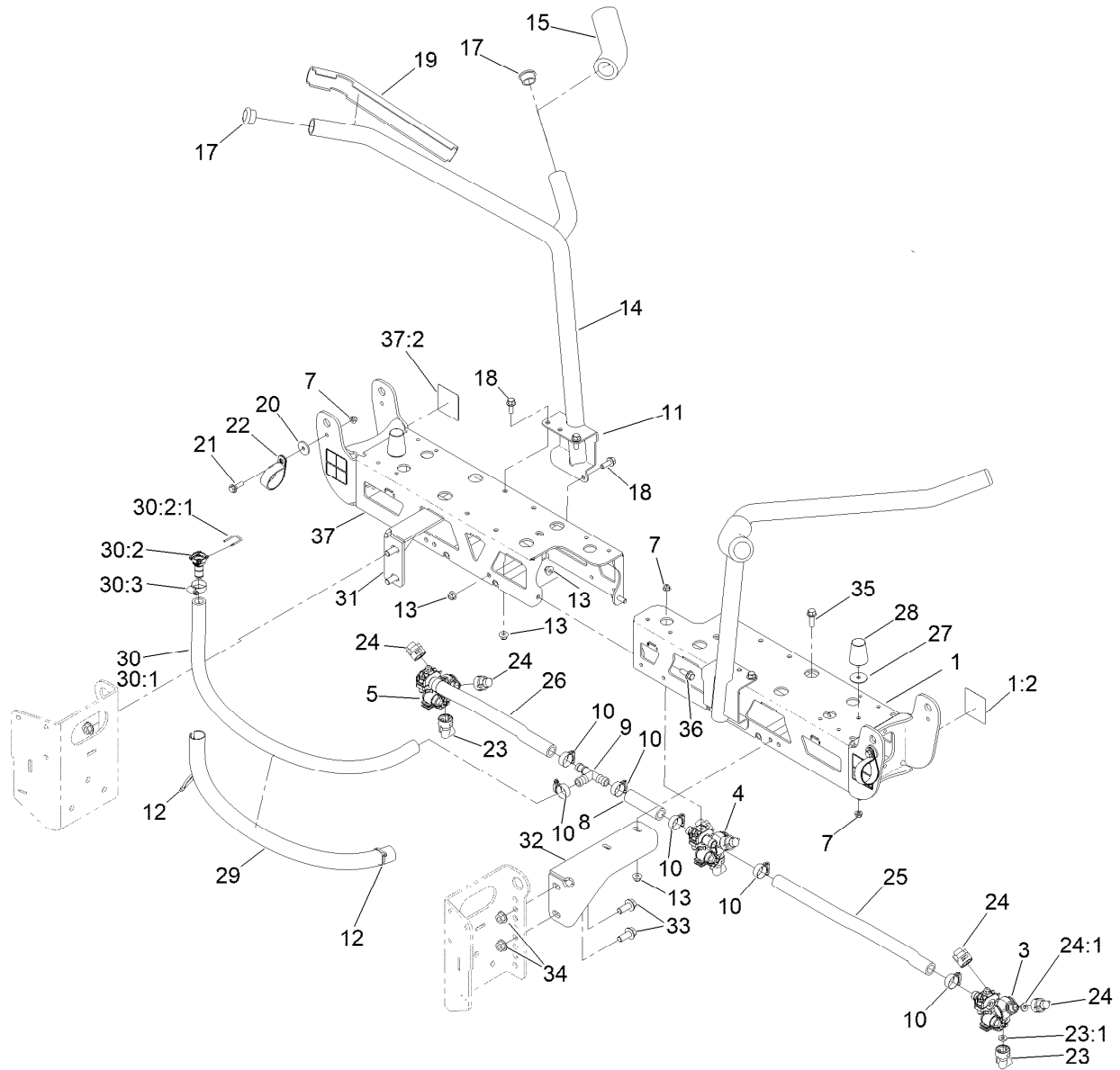
Electrical Assembly

<i>Ref.</i>	<i>Part Number</i>	<i>Qty.</i>	<i>Description</i>	<i>Ref.</i>	<i>Part Number</i>	<i>Qty.</i>	<i>Description</i>
1	122-3542	1	Harness-Wire, Mpwm [m2M]	4:2	32180-108	2	Nut-Hex Shoulder
1:13	94-6710	1	Fuse-2 Amp	5	106-1429	3	Clamp-J
1:15	114241	2	Fuse-Blade, 7.5 Amp	6	99-7435	1	Relay
1:16	218-578	1	Fuse-Blade, 10 Amp	7	99-7430	1	Relay-Mini
1:17	109355	1	Fuse-Blade, 15 Amp	8	125-8067	1	Plug-Plastic
1:18	32180-043	2	Resistor-120 Ohm	9	104-0395	1	Plug-Plastic
1:24	109103	1	Fuse-Blade, 30 Amp	10	3234-13	1	Screw-HHF
1:25	32180-089	1	Cap-Plug, 3 Way	11	104-7201	1	Nut-HF, NI
2	127-3966	1	Decal-Fuse Block	12	32180-110	1	Insulator-Lead Cast
3	108-9455	1	Harness-Wire, Fusible Link	13	132-7773	1	Connector-Hose
4	112-9921	2	Bolt ASM	14	122-3543	1	Harness-Wire, Mpwm [m2M]
4:1	32180-107	1	Bolt-Clamp, Battery				



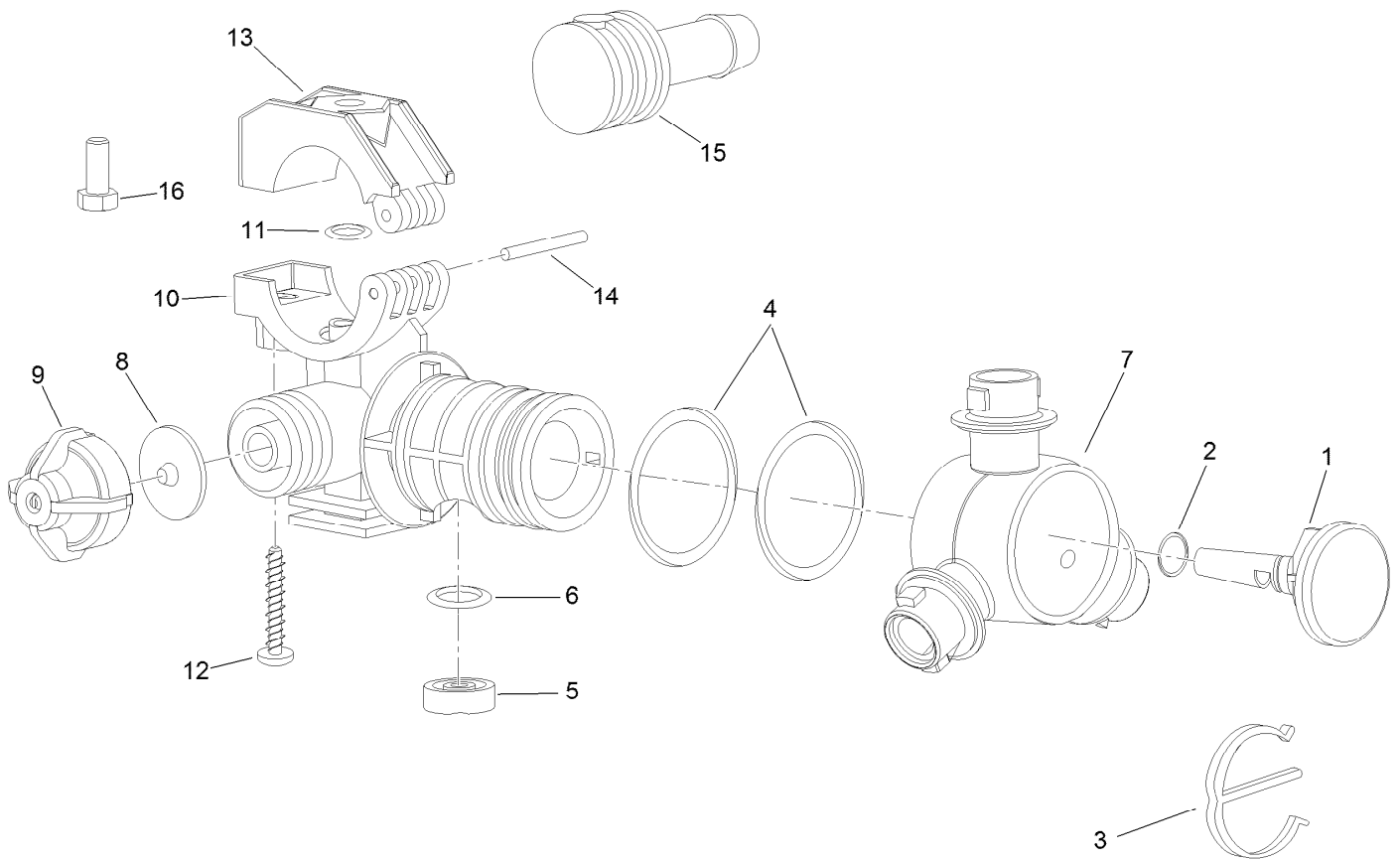
Center Boom Assembly

Ref.	Part Number	Qty.	Description	Ref.	Part Number	Qty.	Description
1	136-0381	1	Boom-LH	23	95-9186	3	Cap
1:2	120-0617	2	Decal-Warning, Pinch, Crush	23:1	40998	1	Seat-Gasket
3	108-3725	1	LH Single Body Turret ASM	24	95-9187	6	Cap-Blank
4	108-3727	1	Double Turret Body ASM	24:1	40998	1	Seat-Gasket
5	108-3726	1	RH Single Body Turret ASM	25	108-3735	1	Hose-Boom, Center (LH)
7	104-8300	7	Nut-HF, NI	26	108-3718	1	Hose-Boom, Center (RH)
8	108-3717	1	Hose-Boom	27	3256-68	2	Washer-Flat
9	108-3439	1	Tee	28	110-5070	2	Bumper
10	2412-129	7	Clamp-Hose	29	127-3923	1	Conduit-Convolutd
11	144-6198-03	2	Cradle-ASM, Lower [black]	30	132-4335	1	Hose-Center Boom
12	3290-378	2	Tie-Cable	30:1	127-9770	1	Hose-Shutoff
13	104-8301	12	Nut-HF, NI	30:2	127-9807	1	Straight Fitting Kit
14	161-4153	2	Cradle ASM	30:2:1	133-0398	1	Pin-Fork
15	108-3457	2	Spacer	30:3	2412-129	1	Clamp-Hose
17	108-3489	4	Cap-Tube	31	127-8955-03	1	Mount-Boom
18	110-5052	6	Screw-HHF	32	127-8956-03	1	Mount-Boom
19	120-8576	2	Cover-Slide	33	110-5057	4	Capscrew-HHF
20	108-3743	2	Washer	34	108-3745	4	Nut-HHF, Whiz
21	108-3744	2	Screw-Shoulder	35	110-5050	4	Screw-HHF
22	114-9566	2	Clamp-R	36	3234-42	2	Screw-HHF



Center Boom Assembly (continued)

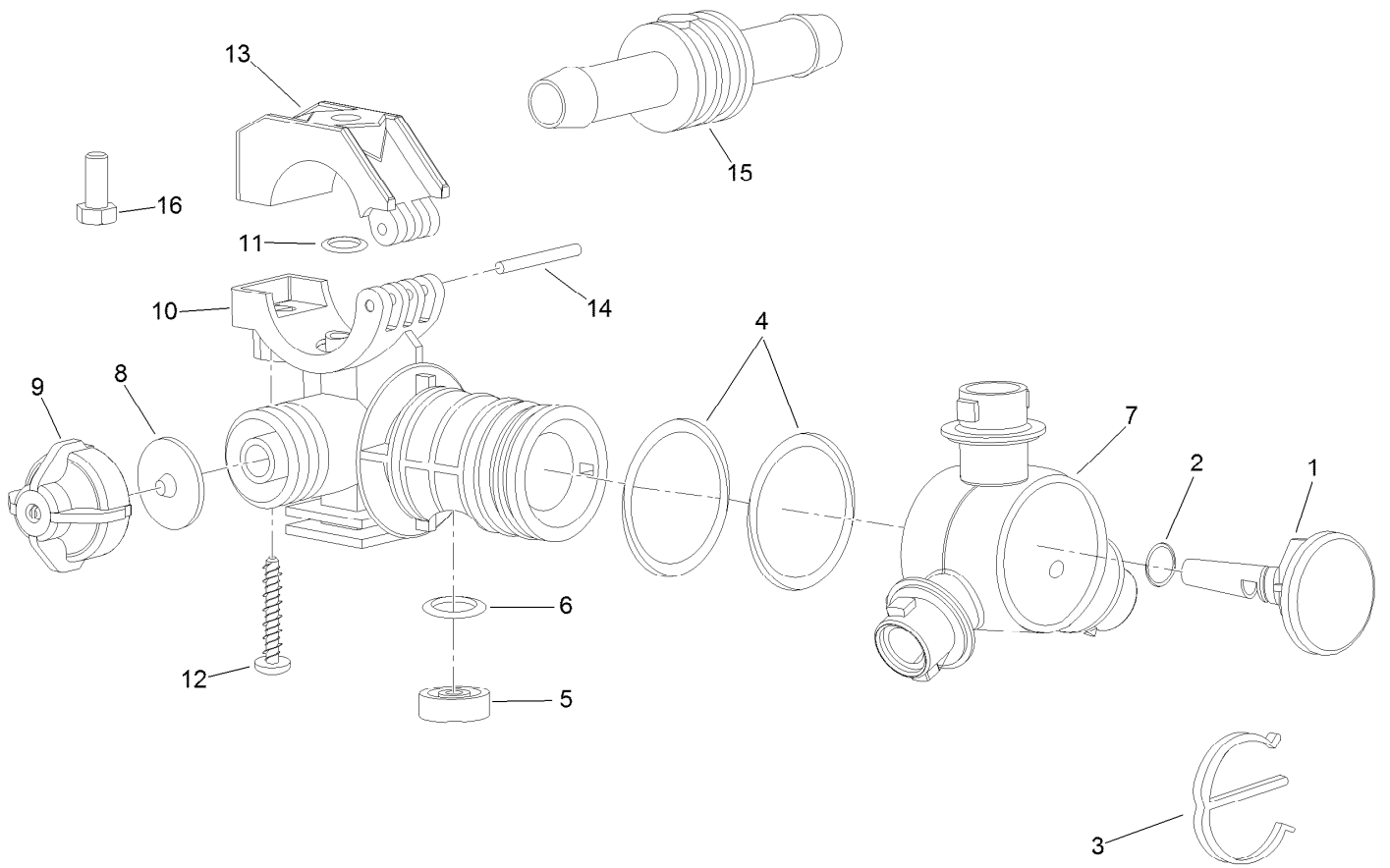
Ref.	Part Number	Qty.	Description
37	136-0382	1	Boom-RH
37:2	120-0617	2	Decal-Warning, Pinch, Crush



LH Single Turret Body Assembly No. 108-3725

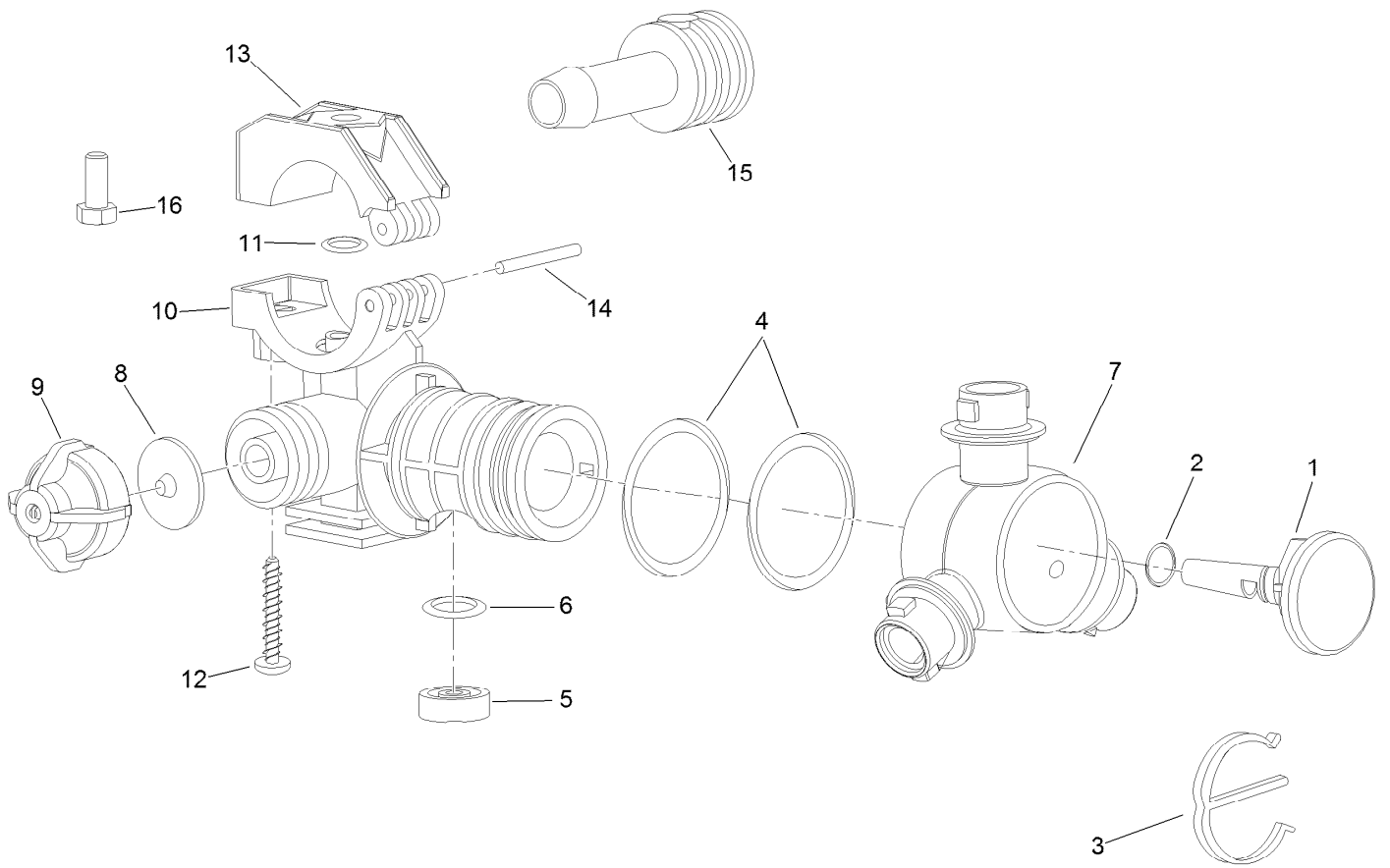
<i>Ref.</i>	<i>Part Number</i>	<i>Qty.</i>	<i>Description</i>
1	95-9200	1	Plug
2	95-9198	1	O-Ring
3	95-9197	1	E-Clip
4	95-9199	2	O-Ring
5	108-3264	1	Seal-Viton
6	108-3265	1	O-Ring-Viton
7	95-9196	1	Turret
8	41003	1	Diaphragm

<i>Ref.</i>	<i>Part Number</i>	<i>Qty.</i>	<i>Description</i>
9	95-9193	1	Cap-Diaphragm
10	95-9192	1	Body-Split Eyelet
11	95-9191	1	O-Ring
12	99-0811	1	Screw-Clamp
13	99-0812	1	Clamp-Upper
14	99-0814	1	Pin-Pivot
15	95-9201	1	Shank-Hose
16	322-3	1	Screw-HH



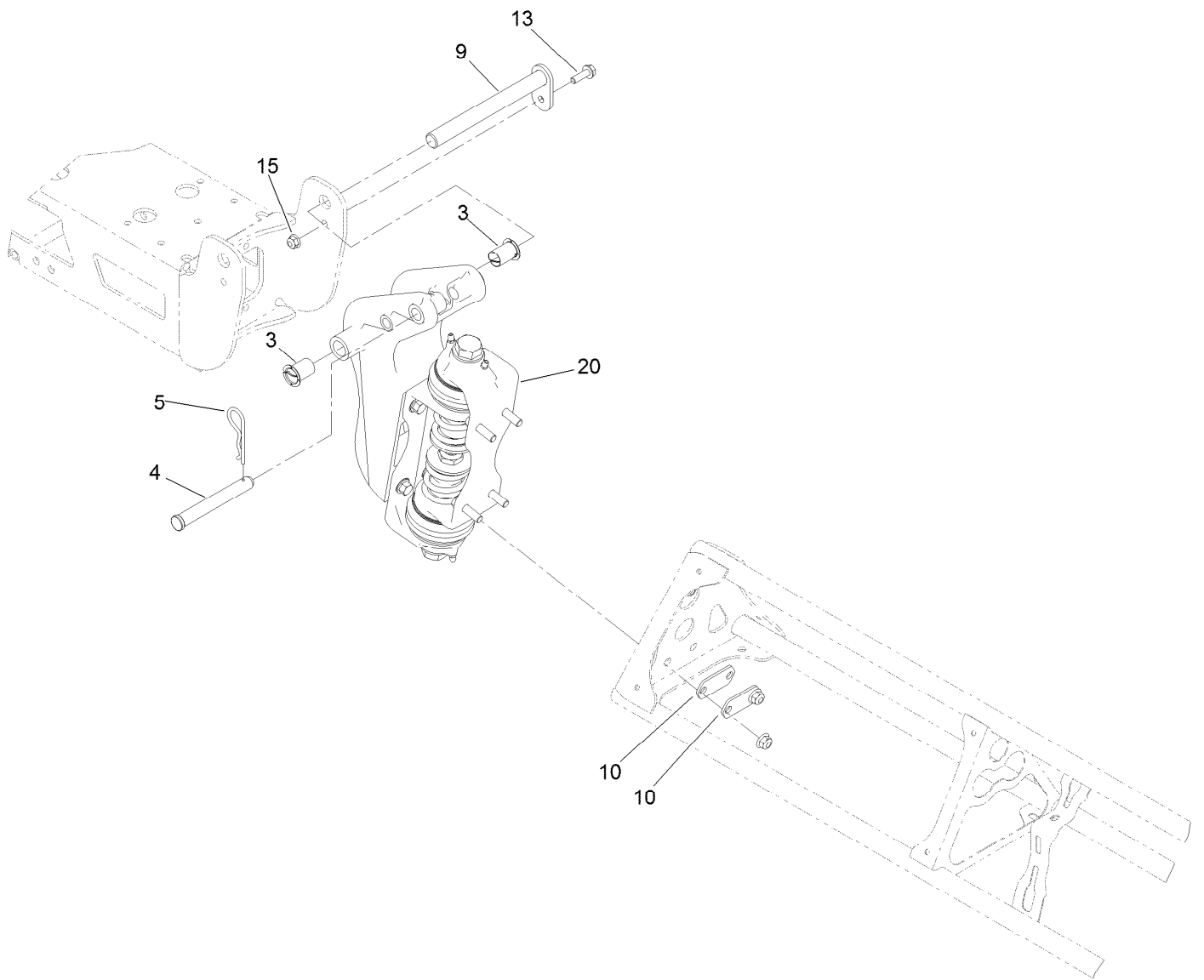
Double Turret Body Assembly No. 108-3727

<i>Ref.</i>	<i>Part Number</i>	<i>Qty.</i>	<i>Description</i>	<i>Ref.</i>	<i>Part Number</i>	<i>Qty.</i>	<i>Description</i>
1	95-9200	1	Plug	9	95-9193	1	Cap-Diaphragm
2	95-9198	1	O-Ring	10	95-9192	1	Body-Split Eyelet
3	95-9197	1	E-Clip	11	95-9191	1	O-Ring
4	95-9199	2	O-Ring	12	99-0811	1	Screw-Clamp
5	108-3264	1	Seal-Viton	13	99-0812	1	Clamp-Upper
6	108-3265	1	O-Ring-Viton	14	99-0814	1	Pin-Pivot
7	95-9196	1	Turret	15	95-9202	1	Shank-Hose
8	41003	1	Diaphragm	16	322-3	1	Screw-HH



RH Single Body Turret Assembly No. 108-3726

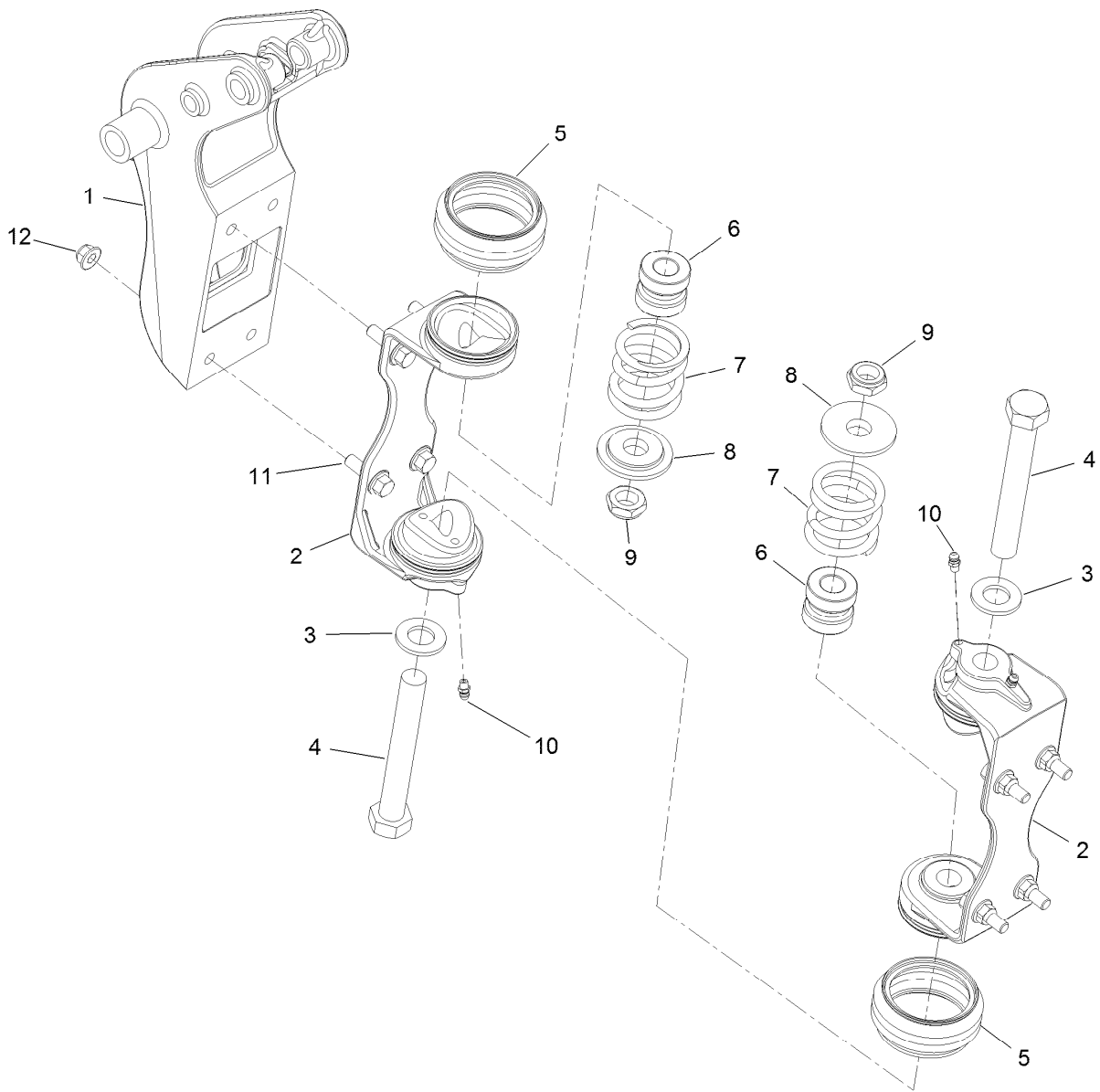
<i>Ref.</i>	<i>Part Number</i>	<i>Qty.</i>	<i>Description</i>	<i>Ref.</i>	<i>Part Number</i>	<i>Qty.</i>	<i>Description</i>
1	95-9200	1	Plug	9	95-9193	1	Cap-Diaphragm
2	95-9198	1	O-Ring	10	95-9192	1	Body-Split Eyelet
3	95-9197	1	E-Clip	11	95-9191	1	O-Ring
4	95-9199	2	O-Ring	12	99-0811	1	Screw-Clamp
5	108-3264	1	Seal-Viton	13	99-0812	1	Clamp-Upper
6	108-3265	1	O-Ring-Viton	14	99-0814	1	Pin-Pivot
7	95-9196	1	Turret	15	95-9201	1	Shank-Hose
8	41003	1	Diaphragm	16	322-3	1	Screw-HH



Boom Mounting Assembly

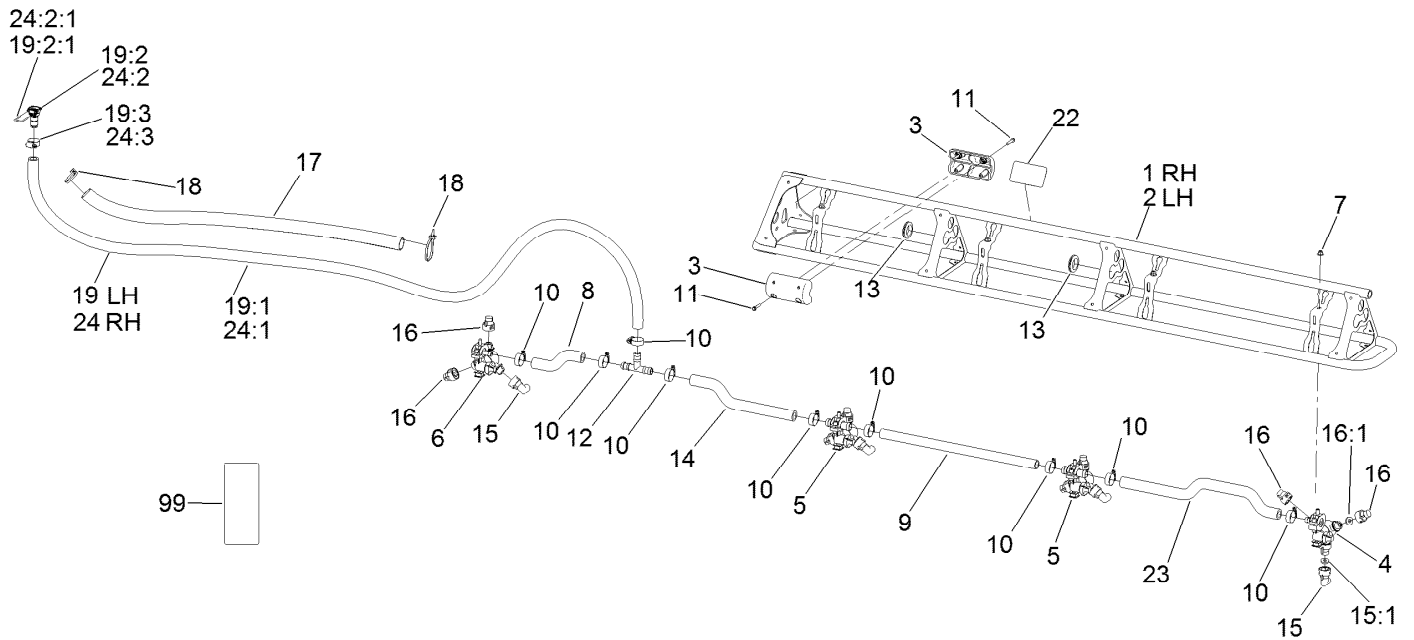
Ref.	Part Number	Qty.	Description
3	100-8541	4	Bushing-A Arm
4	108-3436	2	Pin-Clevis
5	3290-468	2	Pin-Cotter
9	108-3419	2	Pivot Pin ASM
10	108-3605	8	Plate-Backing
13	108-3748	2	Screw-HHF
15	104-8300	2	Nut-HF, NI
20		2	Pivot Bracket Assembly ●

● Not serviced separately



Boom Pivot Assembly

<i>Ref.</i>	<i>Part Number</i>	<i>Qty.</i>	<i>Description</i>
1	137-1673	1	Bracket-Pivot
2	137-1674	2	Hinge
3	110-5054	2	Washer-Flat
4	108-3738	2	Screw-HH
5	108-3459	2	Boot-Hinge
6	120-8541	2	Dampener-Hinge
7	108-3440	2	Spring-Breakaway, Boom
8	108-3444	2	Retainer-Spring
9	3296-15	2	Nut-Lock, NI
10	302-5	4	Fitting-Grease
11	110-5050	8	Screw-HHF
12	104-8301	8	Nut-HF, NI



Left and Right Hand Boom Assembly

Ref.	Part Number	Qty.	Description	Ref.	Part Number	Qty.	Description
1	108-3524-03	1	Boom-RH	16:1	40998	1	Seat-Gasket
2	108-3525-03	1	Boom-LH	17	107-8650	2	Conduit-Convolutd
3	119-9368	4	Block Slide	18	3290-378	4	Tie-Cable
4	108-3725	2	LH Single Body Turret ASM	19	132-4334	1	Hose-Left Boom
5	108-3727	4	Double Turret Body ASM	19:1	131-3790	1	Hose-Boom, RH
6	108-3726	2	RH Single Body Turret ASM	19:2	127-9807	1	Straight Fitting Kit
7	104-8300	8	Nut-HF, NI	19:2:1	133-0398	1	Pin-Fork
8	136-0437	2	Hose-Formed	19:3	2412-129	1	Clamp-Hose
9	40506	2	Hose-Jumper	22	104-8904	2	Decal-Grasp Boom Here
10	2412-129	18	Clamp-Hose	23	108-3735	2	Hose-Boom, Center (LH)
11	119-9369	8	Screw-HHF	24	132-4324	1	Hose-Boom
12	108-3439	2	Tee	24:1	127-9769	1	Hose-Supply
13	240-3	4	Grommet-Rubber	24:2	127-9807	1	Straight Fitting Kit
14	136-0436	2	Hose-Formed	24:2:1	133-0398	1	Pin-Fork
15	95-9186	8	Cap	24:3	2412-129	1	Clamp-Hose
15:1	40998	1	Seat-Gasket	99	119-9434	1	Decal-Magnetic
16	95-9187	16	Cap-Blank				

Attachments and Accessories

For 41240 Multi Pro WM Turf Sprayer

Product Name	Model/Part
Cab Kit.....	07392
Premium ATF (Drum).....	108-1185
Premium ATF (Pail)	108-1186
Premium All Purpose Grease (Tube)	108-1190
License Plate Kit	120-8506
Covered Boom Spring Upgrade Kit.....	120-8508
Premium Engine Oil 10w30 (55 Gallon Drum)	121-6392
Premium Engine Oil 10w30 (5 Gallon Pail)	121-6393
Fan Kit (EFI, Gas Engine Only).....	127-9719
Lance Suction Assembly	127-9826
Multi Pro WM Turf Sprayer Finishing Kit (Automatic).....	131-3301
Multi Pro WM Turf Sprayer Finishing Kit (Manual).....	131-3302
Cab Finishing Kit, 2016 and After Multi Pro WM Turf Sprayer.....	133-2725
Ultra Sonic Boom Finishing Kit, 2013 and After Multi Pro WM Turf Sprayer	133-2808
Foam Marker Finishing Kit	136-0459
Pump Head Kit.....	145-3399
Rear Work Light Kit.....	41010
Single Nozzle Kit.....	41023
Hand Spray Wand Kit	41118
Pro Foam Concentrate (4 x 1 Gallon)	41157
Nozzalert - Mp Nozzle Flow System	41166
Jackstand Kit	41216
Ultra Sonic Boom Leveling Kit	41219
Tank Clean Rinse Kit	41241
Chemical Pre-Mix Kit	41244
Electric Hose Reel Kit	41245
Foam Marker Kit	41249
Drift Reduction Boom Shroud Kit	41602
Pro-Foam.....	41607

Notes:



Count on it.