



**Count on it.**

**Parts Catalog**

**GreensPro® 1260**

**Greens Roller**

Model No. 44913—Serial No. 412369272 and Up



# Ordering Replacement Parts

To order replacement parts, please supply the part number, the quantity, and the description of each part desired.

## Understanding Reference Numbers

Each identified part in an illustration has a reference number. The reference number for a part also appears in the parts list, along with other information about the part.

This catalog uses two special reference number formats, one to indicate parts in a service assembly and another to indicate the quantity of a given part in an illustration.

## Service Assembly Reference Numbers

Parts in service assemblies have reference numbers in the form a:b. The a represents the reference number of the entire service assembly and the b represents a sequential number unique to each part within the service assembly.

For example, a wheel assembly might be identified by reference number 6, the tire by 6:1, the valve by 6:2, and the wheel by 6:3. When you order the assembly identified by reference number 6, you receive all parts identified by reference numbers 6:1, 6:2, and 6:3. However, you may also order any part individually. Reference numbers of this type appear in illustration and in parts lists.

## Reference Numbers Indicating Quantity

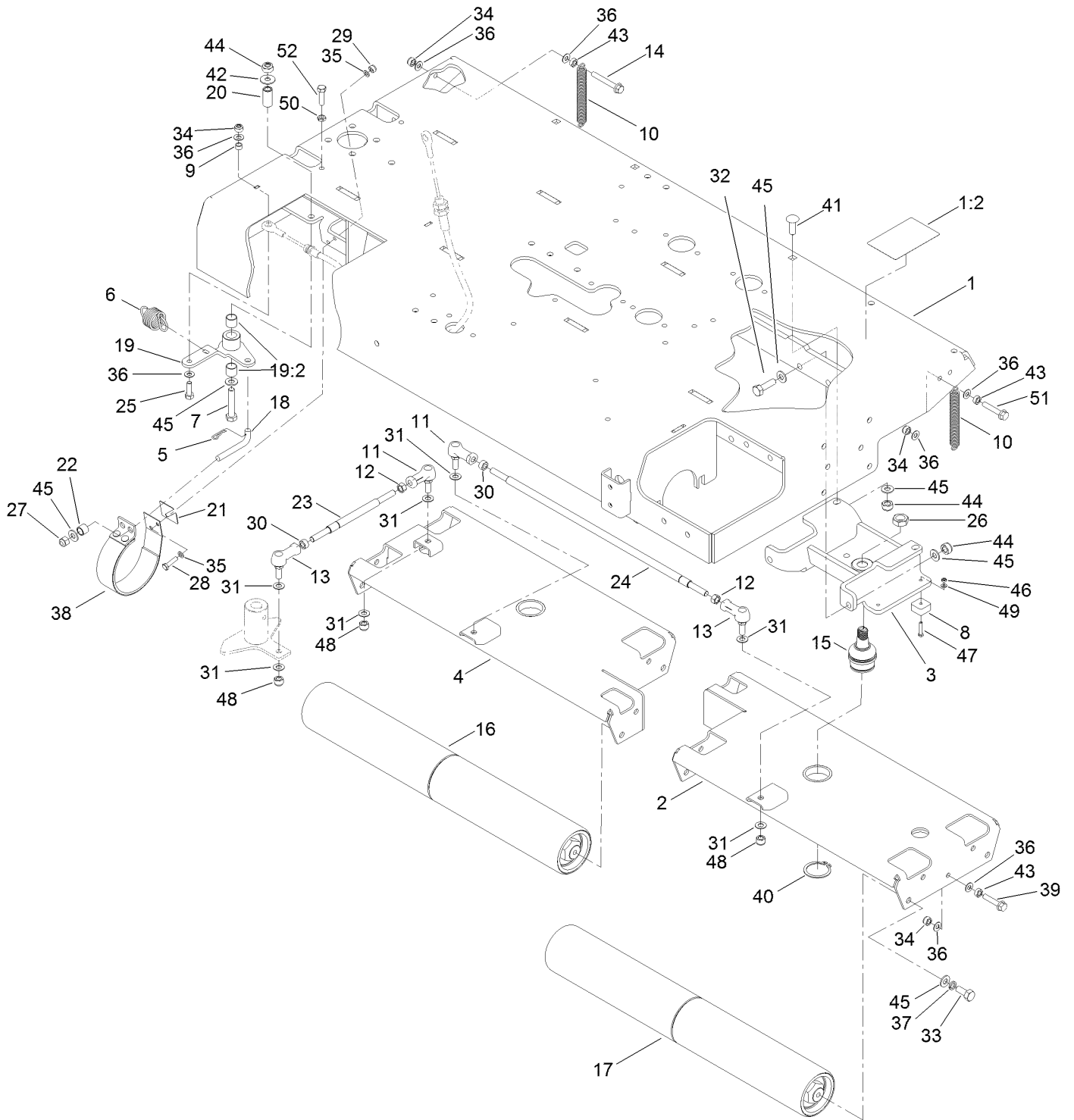
In an illustration, if a reference number indicates more than one part, the reference number has the form nX y. The n represents the quantity of the part, the X is the multiplication symbol, and the y represents the reference number.

For example, in an illustration, the reference number 2X 37 means that two of the parts identified by reference number 37 are indicated.

# Contents

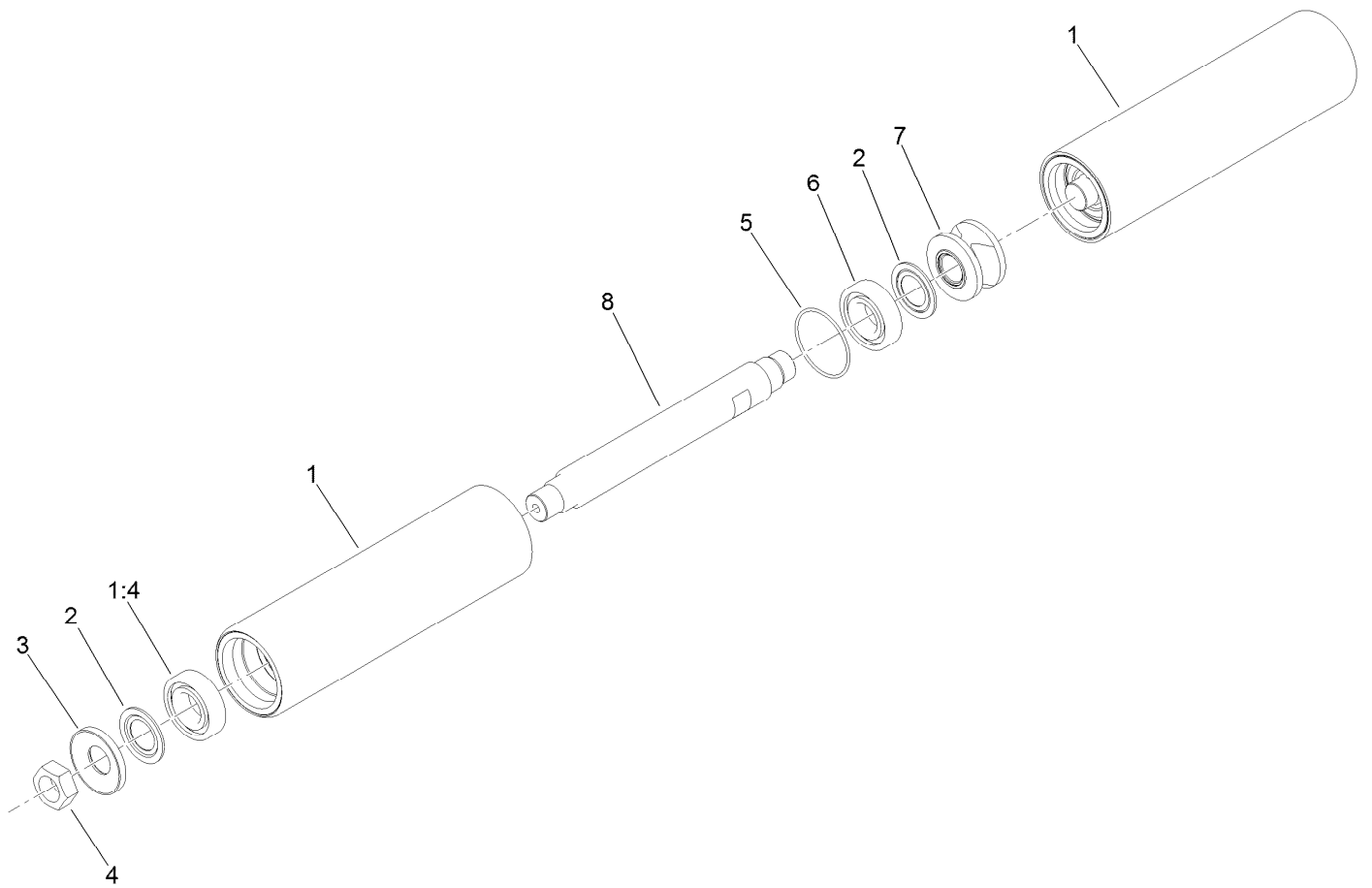
|  |    |
|--|----|
| Steering Assembly . . . . .                                    | 4  |
| Complete Long Steering Roller Assembly No. 127-7958 . . . . .  | 6  |
| Complete Short Steering Roller Assembly No. 127-7963 . . . . . | 7  |
| Oil Tank and Hose Assembly . . . . .                           | 8  |
| Roller Drive Assembly . . . . .                                | 10 |
| Hydraulic Motor Assembly No. 131-6431 . . . . .                | 12 |
| Engine Assembly . . . . .                                      | 14 |
| Tire Assembly . . . . .  | 16 |
| Lifting Mechanism Assembly . . . . .                           | 18 |
| Seat Assembly . . . . .  | 20 |
| Steering Wheel Assembly . . . . .                              | 22 |
| Parking Brake Assembly . . . . .                               | 24 |
| Control Assembly . . . . .                                     | 26 |
| Hydraulic Pump Assembly No. 132-4797 . . . . .                 | 28 |
| Model Specific Decal Assembly . . . . .                        | 30 |
| Cylinder Head Assembly . . . . .                               | 32 |
| Cylinder Barrel Assembly . . . . .                             | 34 |
| Crankcase Cover Assembly . . . . .                             | 36 |
| Crankshaft Assembly . . . . .                                  | 38 |
| Piston and Connecting Rod Assembly . . . . .                   | 40 |
| Camshaft Assembly . . . . .                                    | 42 |
| Recoil Starter Assembly . . . . .                              | 44 |
| Fan Cover Assembly . . . . .                                   | 46 |
| Carburetor Assembly . . . . .                                  | 48 |
| Air Cleaner Assembly . . . . .                                 | 50 |
| Muffler Assembly . . . . .                                     | 52 |
| Fuel Tank Assembly . . . . .                                   | 54 |
| Flywheel Assembly . . . . .                                    | 56 |
| Ignition Coil Assembly . . . . .                               | 58 |
| Control Assembly . . . . .                                     | 60 |
| Label Assembly . . . . .                                       | 62 |
| Wrench . . . . .   | 64 |
| Decal Assembly . . . . .                                       | 66 |
| Gasket Kit . . . . .   | 68 |
| Attachments and Accessories . . . . .                          | 70 |

# Steering Assembly



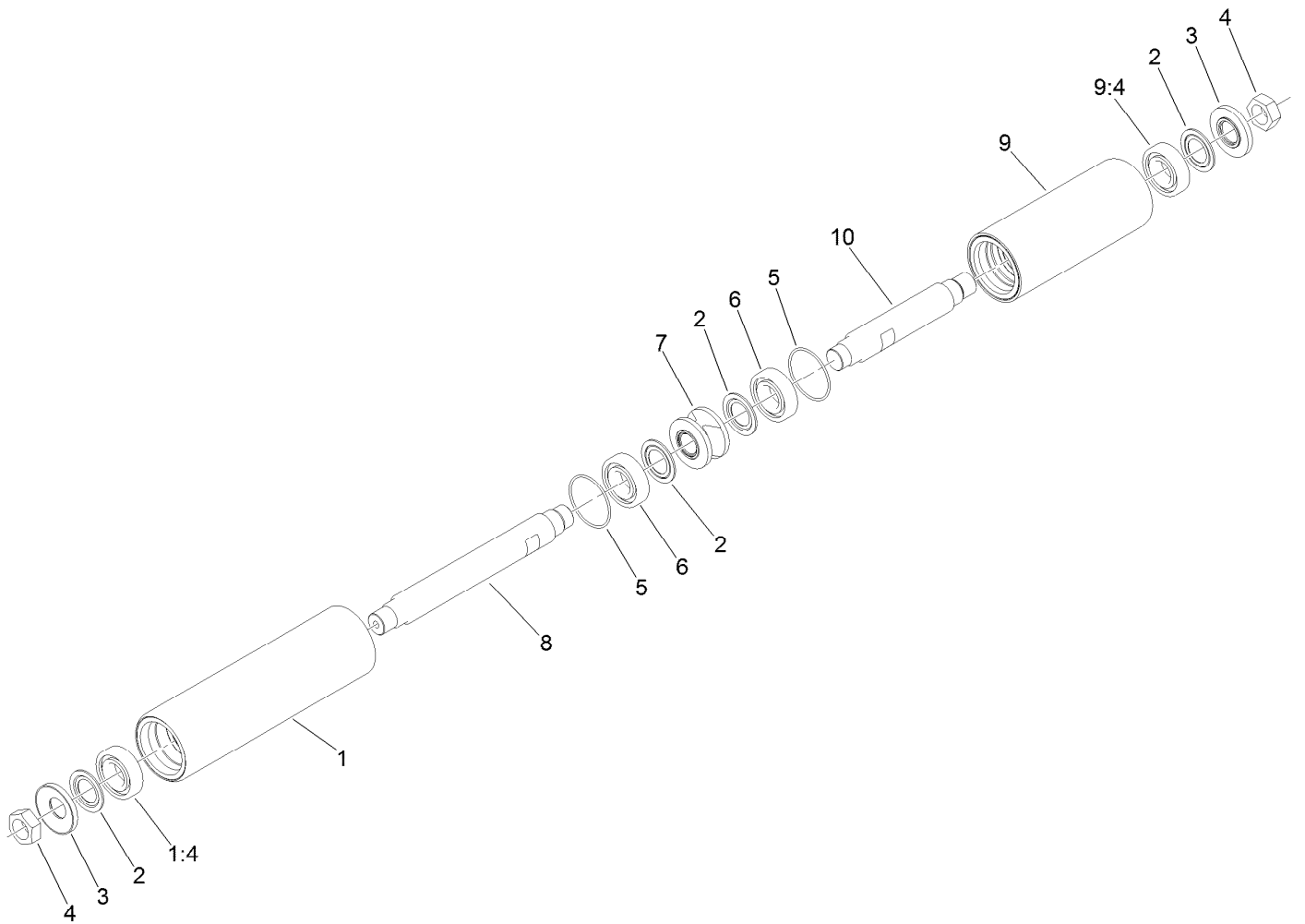
## Steering Assembly (continued)

| <i>Ref.</i> | <i>Part Number</i> | <i>Qty.</i> | <i>Description</i>                    | <i>Ref.</i> | <i>Part Number</i> | <i>Qty.</i> | <i>Description</i>       |
|-------------|--------------------|-------------|---------------------------------------|-------------|--------------------|-------------|--------------------------|
| 1           | 144-3606           | 1           | Roller Chassis W/Decal                | 25          | 03162              | 1           | Screw-HH                 |
| 1:2         | 133-1701           | 1           | Decal-Warning                         | 26          | 3220-6             | 2           | Nut-Jam                  |
| 2           | 132-4756-01        | 1           | Head-Steering, Rear                   | 27          | 3296-39            | 1           | Nut-Lock, NI             |
| 3           | 132-4764-01        | 2           | Support-Roller                        | 28          | 09044              | 2           | Screw-Set                |
| 4           | 132-7082-01        | 1           | Head-Steering, Front                  | 29          | 09201              | 2           | Nut                      |
| 5           | 1-806003           | 1           | Pin-Cotter                            | 30          | 09213              | 2           | Nut                      |
| 6           | 13-3090            | 1           | Spring-Finger                         | 31          | 09271              | 8           | Washer-Plain             |
| 7           | 57-6360            | 1           | Screw-Clutch                          | 32          | 09394              | 4           | Bolt                     |
| 8           | 94-1392            | 8           | Pad-Rubber                            | 33          | 09395              | 8           | Screw-HH                 |
| 9           | 108-7983           | 1           | Bushing-Cable                         | 34          | 09441              | 5           | Nut-Hex, NI              |
| 10          | 136-6163           | 2           | Spring                                | 35          | 09472              | 4           | Washer-Plain             |
| 11          | 132-9263           | 2           | Ball Joint                            | 36          | 09475              | 10          | Washer                   |
| 12          | 111-5855           | 2           | Nut-Hex, LH                           | 37          | 09480              | 8           | Washer-Lock              |
| 13          | 132-9264           | 2           | Joint-Ball                            | 38          | 9593               | 1           | Brake Band ASM           |
| 14          | 33104-060          | 1           | Screw-HHF                             | 39          | 33104-040          | 2           | Screw-HHF                |
| 15          | 121-3605           | 2           | Ball Joint                            | 40          | 32151-104          | 2           | Ring-Retaining, External |
| 16          | 127-7958           | 2           | Complete Long Steering<br>Roller ASM  | 41          | 33125-030          | 3           | Screw-CARR               |
| 17          | 127-7963           | 2           | Complete Short Steering<br>Roller ASM | 42          | HY03355            | 1           | Washer-Plated            |
| 18          | 131-1584           | 1           | Rod-Brake                             | 43          | ZNH1H000U          | 4           | Nut-Hex                  |
| 19          | 136-6249           | 1           | Brake Pivot ASM                       | 44          | ZNN1J000U          | 8           | Nut-Hex, NI              |
| 19:2        | 256-311            | 2           | Bushing-Split                         | 45          | ZWQ1J000U          | 21          | Washer-Plain             |
| 20          | 131-6350           | 1           | Bushing-Pivot                         | 46          | 09746              | 8           | Nut-Lock                 |
| 21          | 131-6353           | 1           | Shim                                  | 47          | 09806              | 8           | Setscrew                 |
| 22          | 131-6367           | 1           | Spacer                                | 48          | 09216              | 4           | Nut-Hex, NI              |
| 23          | 132-7085           | 1           | Rod-Pivot, Steering                   | 49          | ZWP1E000U          | 16          | Washer                   |
| 24          | 132-7087           | 1           | Rod-Pivot, Steering                   | 50          | 117-4059           | 2           | Nut-Hex                  |
|             |                    |             |                                       | 51          | 33104-045          | 1           | Screw-HHF                |
|             |                    |             |                                       | 52          | 09369              | 2           | Screw-HH                 |



## Complete Long Steering Roller Assembly No. 127-7958

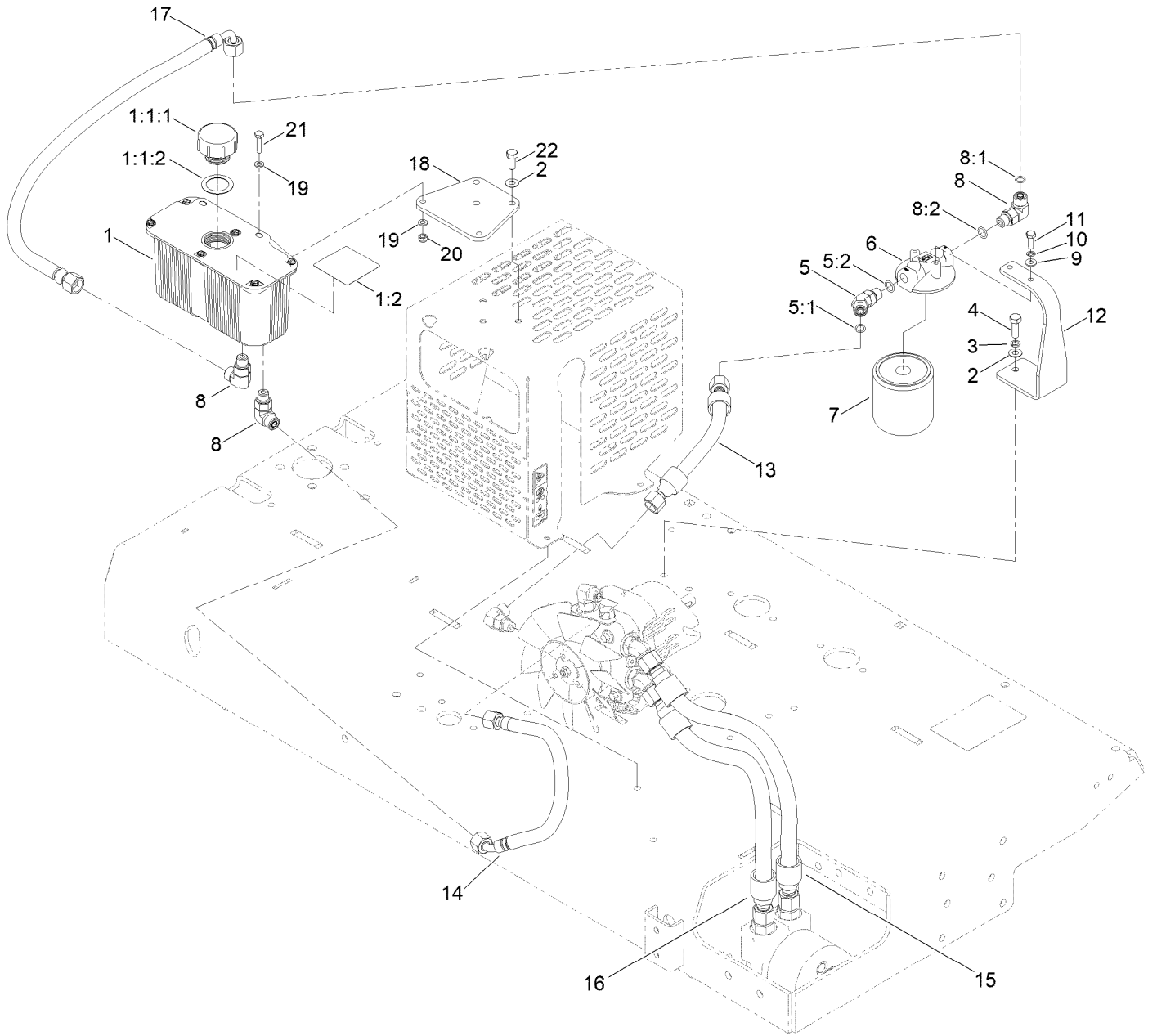
| <i>Ref.</i> | <i>Part Number</i> | <i>Qty.</i> | <i>Description</i>        |
|-------------|--------------------|-------------|---------------------------|
| 1           | 127-7966           | 2           | Long Steering Roller ASM  |
| 1:4         | 140-5510           | 1           | Bearing-Sealed, Stainless |
| 2           | 115-3299           | 4           | Seal-Flocked              |
| 3           | 127-7959           | 2           | Spacer-Bearing            |
| 4           | 3296-49            | 2           | Nut-Lock, NI              |
| 5           | 117-8177           | 2           | O-Ring                    |
| 6           | 140-5510           | 2           | Bearing-Sealed, Stainless |
| 7           | 127-7960           | 1           | Sleeve-Roller             |
| 8           | 127-8029           | 2           | Shaft-Roller              |



## Complete Short Steering Roller Assembly No. 127-7963

| <i>Ref.</i> | <i>Part Number</i> | <i>Qty.</i> | <i>Description</i>         |
|-------------|--------------------|-------------|----------------------------|
| 1           | 127-7966           | 1           | Long Steering Roller ASM   |
| 1:4         | 140-5510           | 1           | Bearing-Sealed, Stainless  |
| 2           | 115-3299           | 4           | Seal-Flocked               |
| 3           | 127-7959           | 2           | Spacer-Bearing             |
| 4           | 3296-49            | 2           | Nut-Lock, NI               |
| 5           | 117-8177           | 2           | O-Ring                     |
| 6           | 140-5510           | 2           | Bearing-Sealed, Stainless  |
| 7           | 127-7960           | 1           | Sleeve-Roller              |
| 8           | 127-8029           | 1           | Shaft-Roller               |
| 9           | 127-7967           | 1           | Short Steering Roller Assy |
| 9:4         | 140-5510           | 1           | Bearing-Sealed, Stainless  |
| 10          | 127-8030           | 1           | Shaft-Roller               |

# Oil Tank and Hose Assembly





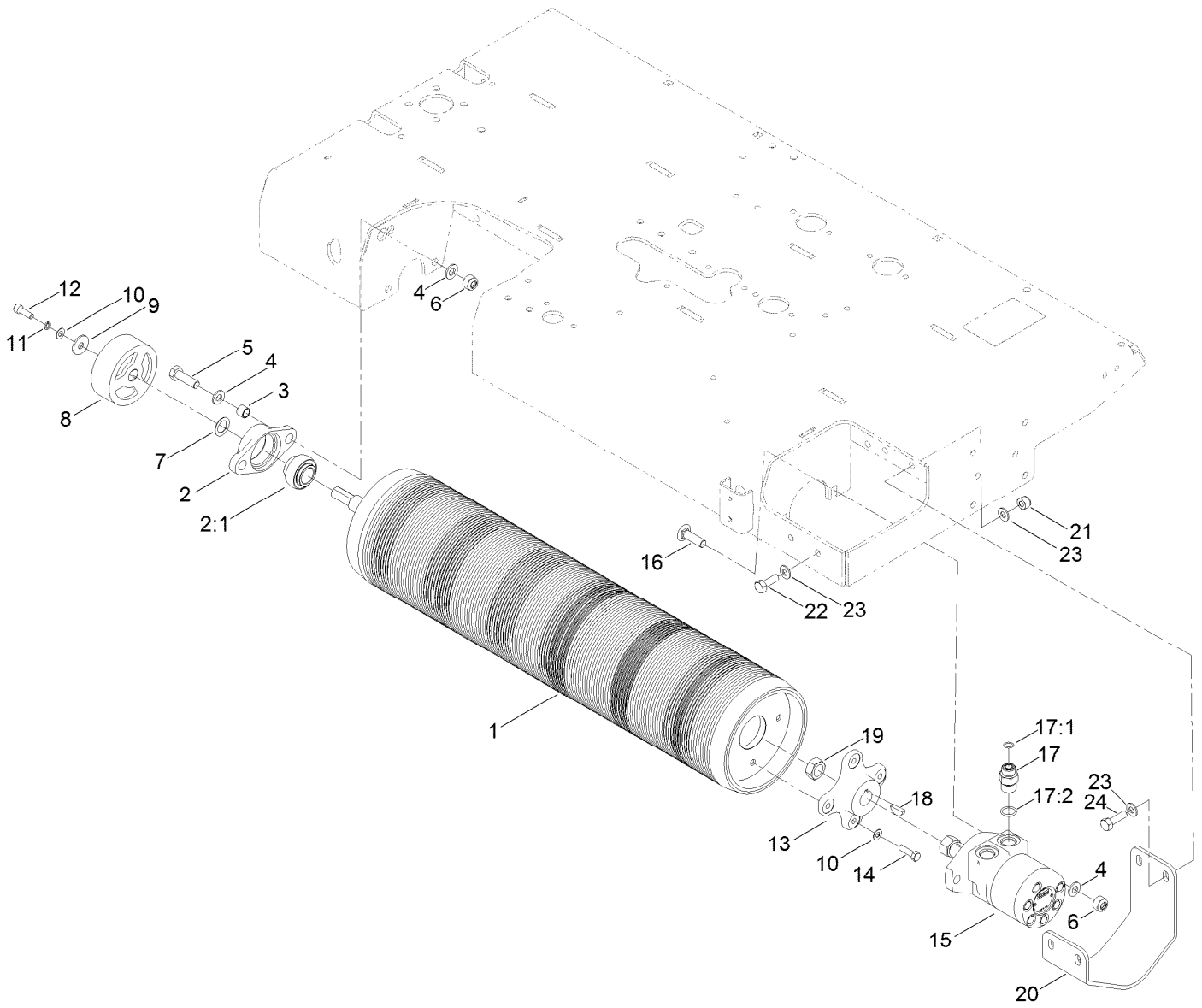
## Oil Tank and Hose Assembly (continued)

| <i>Ref.</i> | <i>Part Number</i> | <i>Qty.</i> | <i>Description</i>    | <i>Ref.</i> | <i>Part Number</i> | <i>Qty.</i> | <i>Description</i> |
|-------------|--------------------|-------------|-----------------------|-------------|--------------------|-------------|--------------------|
| 1           | 107-8433           | 1           | HYD Reservoir ASM     | 8:2         | 237-42             | 1           | O-Ring             |
| 1:1         |                    | 1           | Reservoir-HYD ●■      | 9           | 09261              | 2           | Washer-Plain       |
| 1:1:1       | 103-1948           | 1           | Cap-Reservoir, HYD    | 10          | 1-805004           | 2           | Washer-Lock        |
| 1:1:2       | 142-2792           | 1           | O-Ring                | 11          | 09821              | 2           | Screw-HH           |
| 1:2         | 115-4212           | 1           | Decal-Warning         | 12          | 132-9201-01        | 1           | Bracket-Filter     |
| 2           | 09475              | 5           | Washer                | 13          | 132-9205           | 1           | Hose ASM           |
| 3           | 03469              | 2           | Washer-Spring         | 14          | 132-9206           | 1           | Hose ASM           |
| 4           | 03162              | 2           | Screw-HH              | 15          | 132-9202           | 1           | Hose ASM           |
| 5           | 340-87             | 1           | Fitting-Elbow, 45 DEG | 16          | 132-9203           | 1           | Hose ASM           |
| 5:1         | 237-22             | 1           | O-Ring                | 17          | 138-2242           | 1           | Hose ASM           |
| 5:2         | 237-42             | 1           | O-Ring                | 18          | 138-2238-01        | 1           | Plate-Mount, Tank  |
| 6           | 104-7836           | 1           | Head-Filter           | 19          | 09472              | 4           | Washer-Plain       |
| 7           | 1-633750           | 1           | Filter-Oil, HYD       | 20          | 09438              | 2           | Nut-Nyloc          |
| 8           | 340-77             | 3           | Fitting-Elbow, 90 DEG | 21          | 33113-025          | 2           | Screw-HH           |
| 8:1         | 237-22             | 1           | O-Ring                | 22          | 09368              | 3           | Screw-HH           |

● Not illustrated

■ Not serviced separately

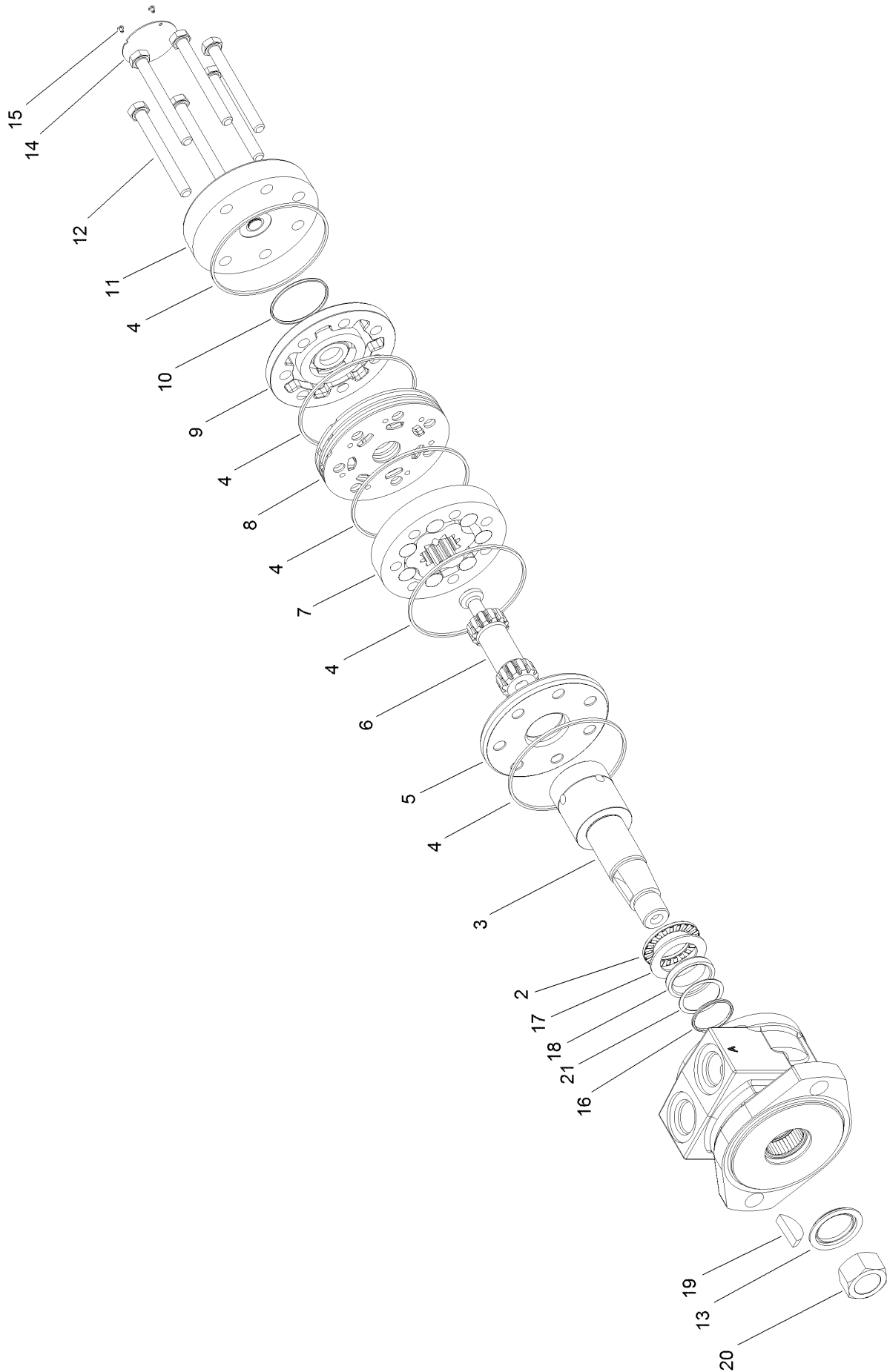
# Roller Drive Assembly



## Roller Drive Assembly (continued)

| <i>Ref.</i> | <i>Part Number</i> | <i>Qty.</i> | <i>Description</i> | <i>Ref.</i> | <i>Part Number</i> | <i>Qty.</i> | <i>Description</i>     |
|-------------|--------------------|-------------|--------------------|-------------|--------------------|-------------|------------------------|
| 1           | 132-5380           | 1           | Drive-Drum, Roller | 14          | 09369              | 4           | Screw-HH               |
| 2           | 111-5744           | 1           | Bearing ASM        | 15          | 131-6431           | 1           | HYD Traction Motor ASM |
| 2:1         | 111-5758           | 1           | Bearing            | 16          | 33126-040          | 2           | Screw-CARR             |
| 3           | 131-6367           | 2           | Spacer             | 17          | 340-6              | 2           | Fitting-Straight       |
| 4           | HY09485            | 6           | Washer-Plain       | 17:1        | 237-30             | 1           | O-Ring                 |
| 5           | 63-11-010          | 2           | Bolt-HH            | 17:2        | 237-80             | 1           | O-Ring                 |
| 6           | 09650              | 4           | Nut-Hex, Nyloc     | 18          | 3257-8             | 1           | Key-Woodruff           |
| 7           | 132-9200           | 1           | Spacer             | 19          | 85-7310            | 1           | Nut-Motor, Wheel       |
| 8           | 106719             | 1           | Drum-Brake         | 20          | 132-7096-03        | 1           | Guard-Motor            |
| 9           | 93-8806            | 1           | Washer-Hardened    | 21          | 09447              | 4           | Nut                    |
| 10          | ZWP1H000U          | 5           | Washer-Plain       | 22          | 09392              | 2           | Screw-HH               |
| 11          | 03469              | 1           | Washer-Spring      | 23          | ZWQ1J000U          | 8           | Washer-Plain           |
| 12          | ZCS1H025U          | 1           | Screw-HSH          | 24          | 09394              | 2           | Bolt                   |
| 13          | 133-8863           | 1           | Hub-Drive Roller   |             |                    |             |                        |

# Hydraulic Motor Assembly No. 131-6431



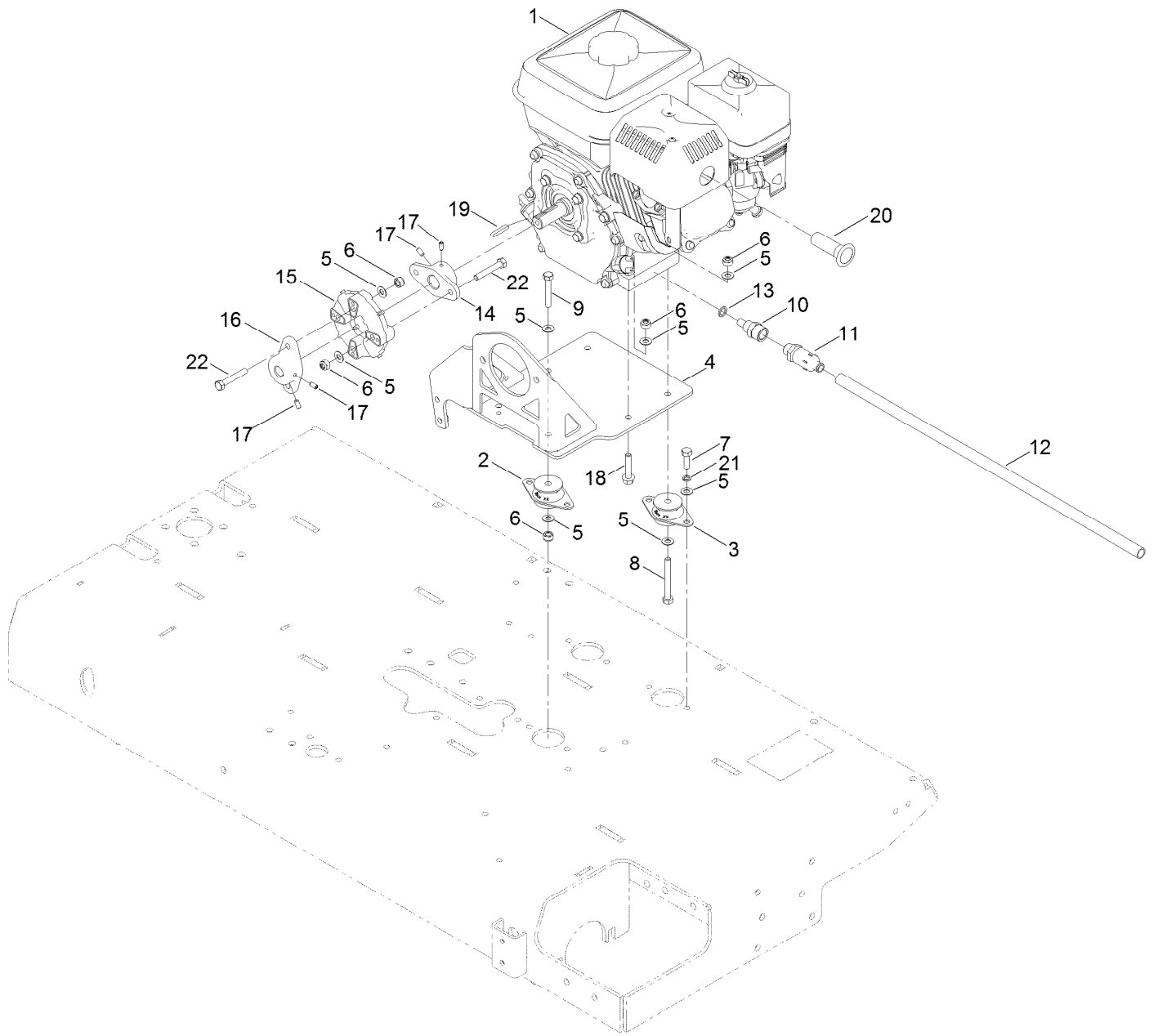
# Hydraulic Motor Assembly No. 131-6431 (continued)

| <i>Ref.</i> | <i>Part Number</i> | <i>Qty.</i> | <i>Description</i> | <i>Ref.</i> | <i>Part Number</i> | <i>Qty.</i> | <i>Description</i>   |
|-------------|--------------------|-------------|--------------------|-------------|--------------------|-------------|----------------------|
| 2           | 133-1761           | 1           | Bearing-Thrust     | 13          | 133-1773           | 1           | Seal, Dirt And Water |
| 3           | 133-1762           | 1           | Shaft-Coupling     | 14          |                    | 1           | Identification Tag ■ |
| 4           | 133-1763           | 5           | Ring-Seal          | 15          | 133-1774           | 2           | Screw-Drive          |
| 5           | 133-1764           | 1           | Plate-Wear         | 16          | 133-1775           | 1           | Ring-Back Up         |
| 6           | 133-1765           | 1           | Link-Drive         | 17          | 133-1776           | 1           | Washer-Thrust        |
| 7           | 133-1766           | 1           | Set-Rotor          | 18          | 133-1777           | 1           | Shaft-Seal           |
| 8           | 133-1767           | 1           | Manifold           | 19          | 3257-8             | 1           | Key-Woodruff         |
| 9           | 133-1768           | 1           | Commutator         | 20          | 85-7310            | 1           | Nut-Motor, Wheel     |
| 10          | 133-1769           | 1           | Seal-Commutator    | 21          | 133-1778           | 1           | Washer-Back Up       |
| 11          | 133-1771           | 1           | Cover-End          | 99          | 133-1779           | 1           | Seal Kit ●           |
| 12          | 133-1772           | 6           | Special Bolt       |             |                    |             |                      |

● Not illustrated

■ Not serviced separately

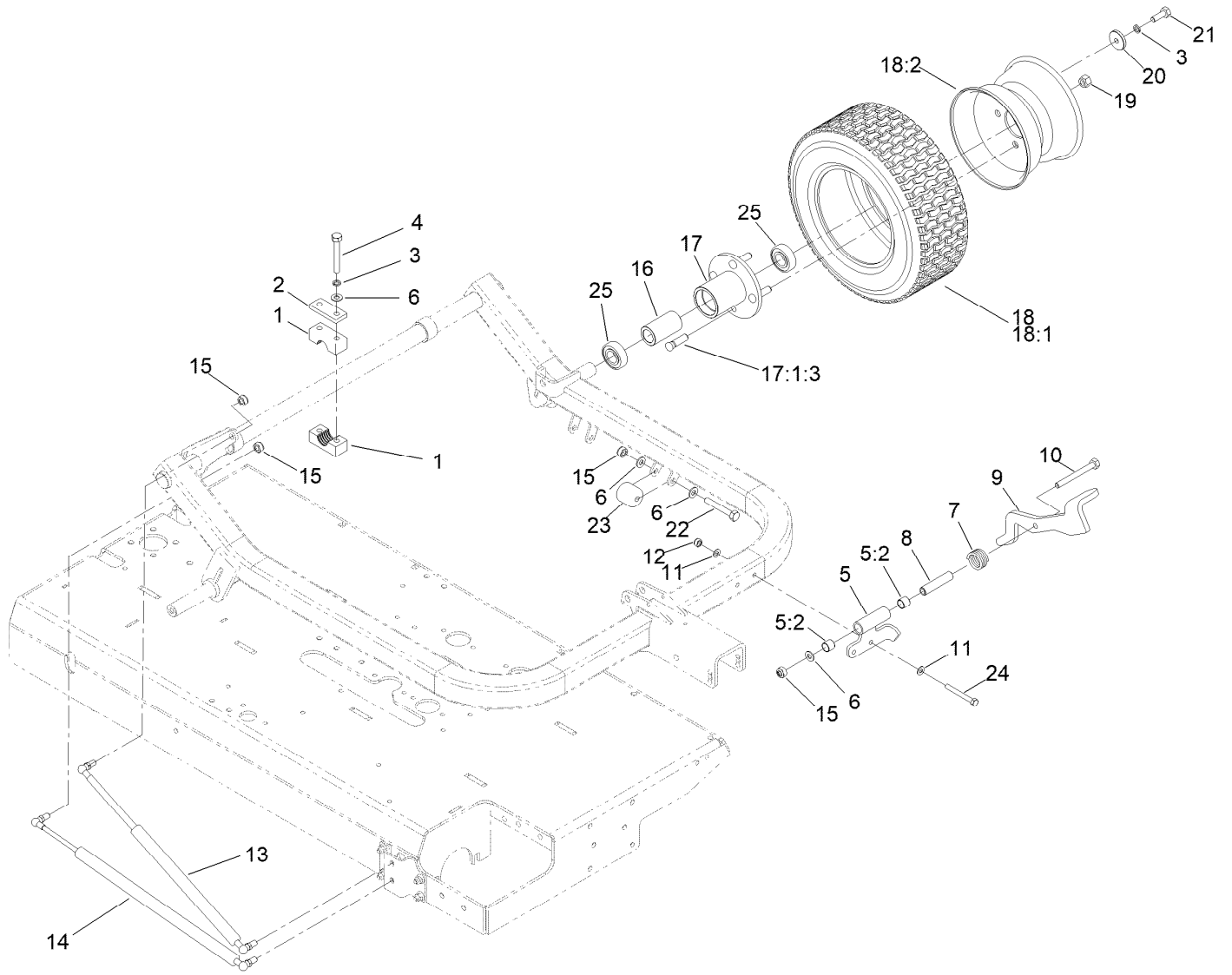
# Engine Assembly



## Engine Assembly (continued)

| <i>Ref.</i> | <i>Part Number</i> | <i>Qty.</i> | <i>Description</i> | <i>Ref.</i> | <i>Part Number</i> | <i>Qty.</i> | <i>Description</i> |
|-------------|--------------------|-------------|--------------------|-------------|--------------------|-------------|--------------------|
| 1           | 133-5627           | 1           | Engine-Honda       | 12          | 103-1964           | 1           | Hose-Drain, Oil    |
| 2           | 132-4799           | 2           | Mount-Engine       | 13          | 111-7401           | 1           | Washer-Plug, Sump  |
| 3           | 132-4803           | 2           | Mount-Engine       | 14          | 138-2243           | 1           | Hub-Engine         |
| 4           | 144-3660-01        | 1           | Engine Plate [red] | 15          | 119-0652           | 1           | Coupler-Rubber     |
| 5           | 09475              | 22          | Washer             | 16          | 138-2244           | 1           | Hub-Pump           |
| 6           | 09441              | 10          | Nut-Hex, NI        | 17          | 133-1717           | 4           | Screw-Set          |
| 7           | 03162              | 8           | Screw-HH           | 18          | 33104-040          | 2           | Screw-HHF          |
| 8           | ZBH1H070U          | 2           | Bolt               | 19          | 103-2739           | 1           | Key                |
| 9           | ZBH1H050U          | 2           | Bolt               | 20          | 111-6526           | 1           | Arrester-Spark     |
| 10          | 111-7088           | 1           | Adaptor-Drain, Oil | 21          | 03469              | 8           | Washer-Spring      |
| 11          | 92-6877            | 1           | Valve-Drain, Oil   | 22          | ZBH1H050U          | 4           | Bolt               |

# Tire Assembly





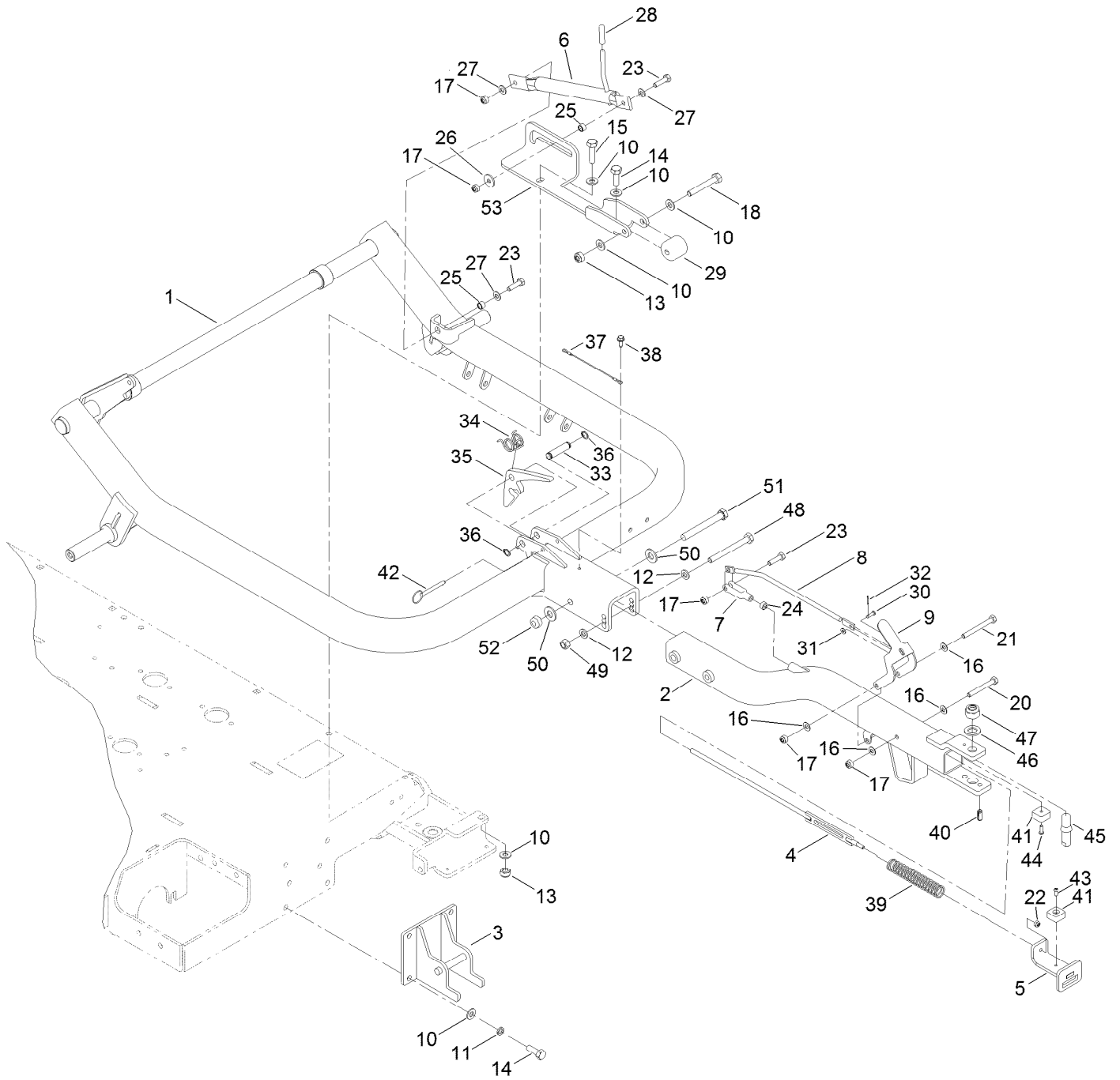
## Tire Assembly (continued)

| <i>Ref.</i> | <i>Part Number</i> | <i>Qty.</i> | <i>Description</i> | <i>Ref.</i> | <i>Part Number</i> | <i>Qty.</i> | <i>Description</i> |
|-------------|--------------------|-------------|--------------------|-------------|--------------------|-------------|--------------------|
| 1           | 127-8044           | 3           | Clamp-Drawbar      | 15          | ZNN1J000U          | 5           | Nut-Hex, NI        |
| 2           | 111-5681           | 3           | Plate-Clamp, Axle  | 16          | 111-5858           | 2           | Spacer-Bearing     |
| 3           | 09480              | 8           | Washer-Lock        | 17          | 111-7103-03        | 2           | Wheel Hub ASM      |
| 4           | ZBH1J075U          | 6           | Bolt-HH            | 17:1        |                    | 1           | Wheel Hub ASM ●■   |
| 5           | 127-1351           | 1           | Pedal Pivot ASM    | 17:1:3      | 94-4143            | 4           | Stud-Wheel         |
| 5:2         | 256-311            | 2           | Bushing-Split      | 18          | 111-5678           | 2           | Wheel And Tire ASM |
| 6           | ZWQ1J000U          | 11          | Washer-Plain       | 18:1        | 111-5755           | 1           | Tire               |
| 7           | 127-1353           | 1           | Spring-Torsion     | 18:2        | 111-5756           | 1           | Rim-Wheel          |
| 8           | 127-1355           | 1           | Spacer             | 19          | 93-5268            | 8           | Nut-Lug            |
| 9           | 138-9077-01        | 1           | Pedal-Lift         | 20          | 111-5674           | 2           | Collar-Fixing      |
| 10          | ZBH1J095U          | 1           | Bolt-HH            | 21          | 09392              | 2           | Screw-HH           |
| 11          | 09475              | 4           | Washer             | 22          | 09399              | 2           | Bolt               |
| 12          | 09441              | 2           | Nut-Hex, NI        | 23          | 127-1342           | 2           | Roller             |
| 13          | 144-7205           | 1           | Damper             | 24          | ZBH1H070U          | 2           | Bolt               |
| 14          | 144-7204           | 1           | Gas Spring         | 25          | 120-4621           | 4           | Bearing            |

● Not illustrated

■ Not serviced separately

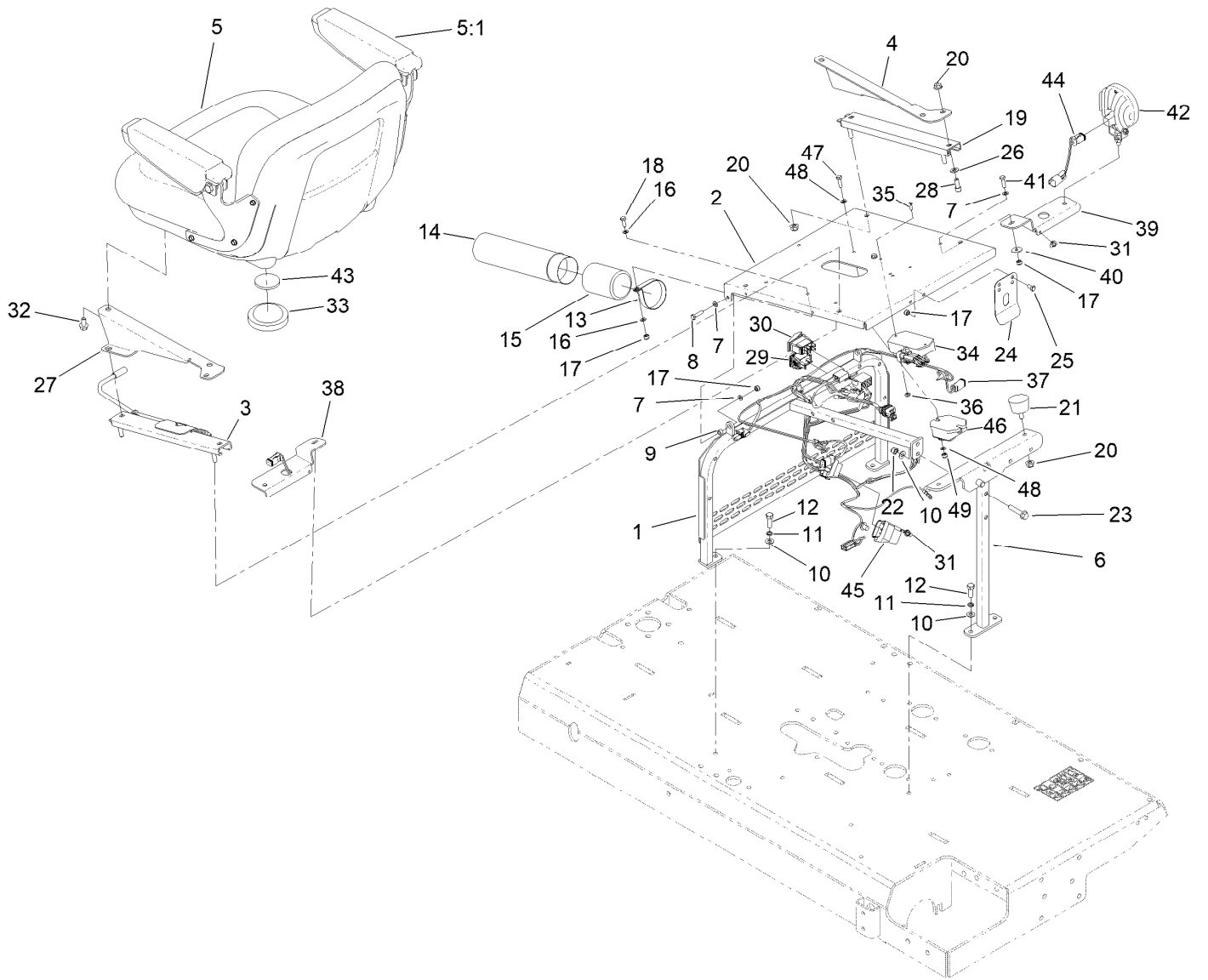
# Lifting Mechanism Assembly



## Lifting Mechanism Assembly (continued)

| <i>Ref.</i> | <i>Part Number</i> | <i>Qty.</i> | <i>Description</i>    | <i>Ref.</i> | <i>Part Number</i> | <i>Qty.</i> | <i>Description</i> |
|-------------|--------------------|-------------|-----------------------|-------------|--------------------|-------------|--------------------|
| 1           | 144-3578-01        | 1           | Hitch Pivot ASM [red] | 28          | 125-5722           | 1           | Cap-Flex           |
| 2           | 132-4770-01        | 1           | Hitch                 | 29          | 127-1342           | 1           | Roller             |
| 3           | 132-7075-01        | 1           | Bracket-Lock          | 30          | 283-29             | 1           | Pin-Clevis         |
| 4           | 125-5743           | 1           | Lever-Slide           | 31          | 3256-51            | 1           | Washer-Flat        |
| 5           | 132-4775-01        | 1           | Bracket-Slide         | 32          | 3272-1             | 1           | Pin-Cotter         |
| 6           | 132-4826-01        | 1           | Lever-Lock, Hitch     | 33          | 125-5731           | 1           | Pin-Lock, Lever    |
| 7           | 1-303105           | 1           | Yoke-Adjustable       | 34          | 125-5723           | 1           | Spring-Torsion     |
| 8           | 127-1317           | 1           | Wire-Form             | 35          | 125-5711-01        | 1           | Latch-Hitch        |
| 9           | 132-9262           | 1           | Lever                 | 36          | 32151-61           | 2           | Ring-Retaining     |
| 10          | ZWQ1J000U          | 10          | Washer-Plain          | 37          | 28-8070            | 1           | Lanyard            |
| 11          | 09480              | 4           | Washer-Lock           | 38          | 32144-10           | 1           | Screw-HWH          |
| 12          | 107-1413           | 2           | Washer-Hardened       | 39          | 125-5737           | 1           | Spring-Compression |
| 13          | ZNN1J000U          | 3           | Nut-Hex, NI           | 40          | 32121-123          | 1           | Pin-Roll           |
| 14          | 09392              | 5           | Screw-HH              | 41          | 94-1392            | 2           | Pad-Rubber         |
| 15          | 09611              | 1           | Bolt-HH               | 42          | 108-0094           | 1           | Pin-Cotterless     |
| 16          | 09475              | 4           | Washer                | 43          | 127-5866           | 1           | Screw-HSBH         |
| 17          | 09441              | 5           | Nut-Hex, NI           | 44          | 119-7568           | 1           | Screw-HSBH         |
| 18          | 09399              | 1           | Bolt                  | 45          | 127-5861           | 1           | Pin-Tow            |
| 20          | ZBH1H065U          | 1           | Bolt                  | 46          | 09491              | 1           | Washer-Plain       |
| 21          | ZBH1H075U          | 1           | Bolt                  | 47          | 09456              | 1           | Nut                |
| 22          | 09438              | 1           | Nut-Nyloc             | 48          | 127-5864           | 1           | Screw-HH           |
| 23          | 09369              | 3           | Screw-HH              | 49          | 131-1558           | 1           | Nut-Lock           |
| 24          | 09207              | 1           | Nut                   | 50          | 87-7270            | 2           | Washer-Thrust      |
| 25          | 120-9697           | 2           | Spacer                | 51          | 131-1557           | 1           | Screw-HH           |
| 26          | 1-603716           | 1           | Washer-Friction       | 52          | 94-4307            | 1           | Nut-Hex, Lock      |
| 27          | 3256-23            | 3           | Washer-Plain          | 53          | 133-1756-01        | 1           | Bracket-Slide      |

# Seat Assembly

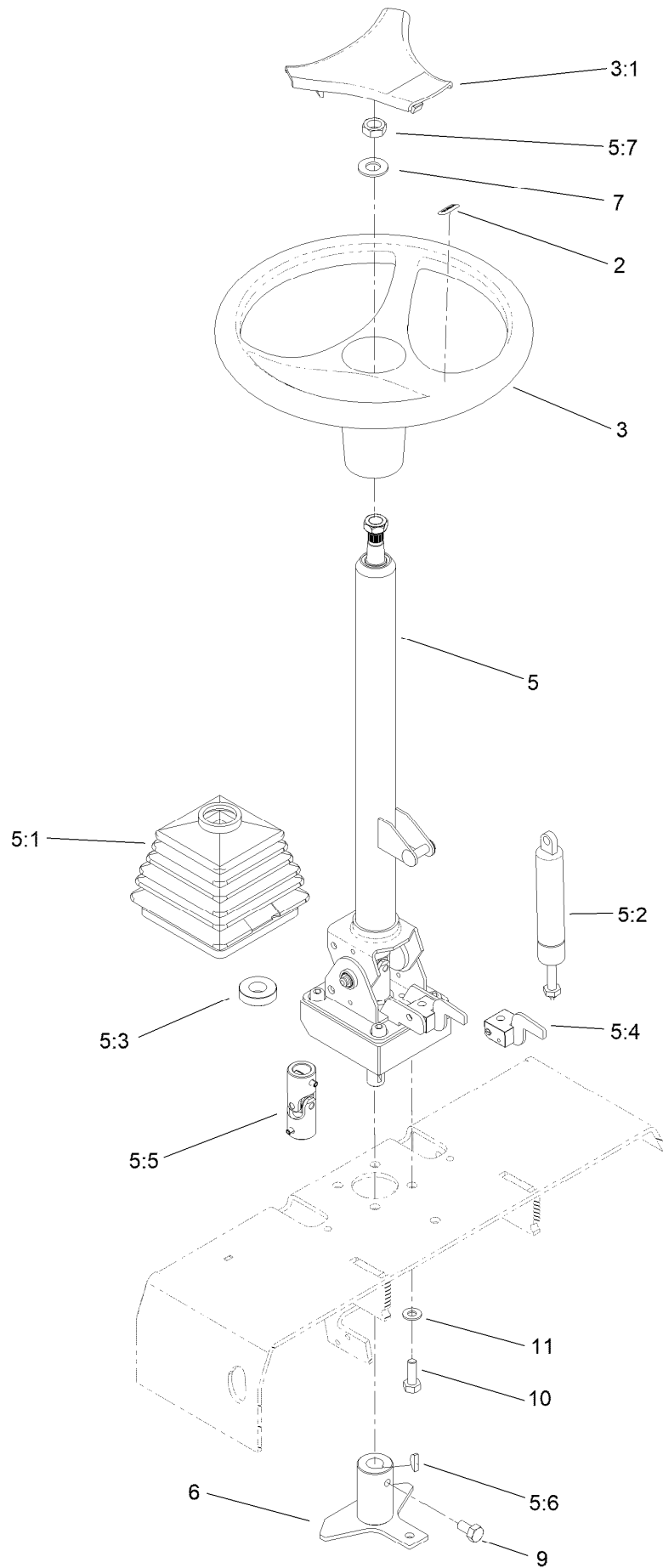


## Seat Assembly (continued)

| <i>Ref.</i> | <i>Part Number</i> | <i>Qty.</i> | <i>Description</i>         | <i>Ref.</i> | <i>Part Number</i> | <i>Qty.</i> | <i>Description</i>             |
|-------------|--------------------|-------------|----------------------------|-------------|--------------------|-------------|--------------------------------|
| 1           | 131-6449-03        | 1           | Seat Support               | 26          | 3256-23            | 4           | Washer-Plain                   |
| 2           | 131-6447-03        | 1           | Seat Pan                   | 27          | 132-4750-03        | 1           | Bracket-Seat, LH               |
| 3           | 133-8896           | 1           | Seat Adjuster Lever ASM    | 28          | 3274-10            | 4           | Screw-HSH                      |
| 4           | 131-6448-03        | 1           | Bracket-Seat, RH           | 29          | 120-2244           | 1           | Hourmeter                      |
| 5           | 133-1729           | 1           | Seat Assembly              | 30          | 119-8355           | 1           | Switch-Rocker                  |
| 5:1         | 111-6564           | 1           | Arm Rest Kit               | 31          | HY3966             | 9           | Tie-Cable                      |
| 6           | 132-4751-01        | 1           | Support-Frame, Rear        | 32          | 33104-016          | 4           | Screw-HHF                      |
| 7           | 09472              | 6           | Washer-Plain               | 33          | 100-3524           | 1           | Switch-Seat                    |
| 8           | ZBH1F025U          | 2           | Bolt-HH                    | 34          | 122-0423           | 1           | Module-Ground, Magneto         |
| 9           | 88-7860            | 2           | Spacer                     | 35          | 32105-8            | 2           | Screw-SHH                      |
| 10          | 09475              | 5           | Washer                     | 36          | 110-3145           | 2           | Nut-Lock                       |
| 11          | 03469              | 4           | Washer-Spring              | 37          | 122-2353           | 1           | Harness-Wire, Greens<br>Roller |
| 12          | 03162              | 4           | Screw-HH                   | 38          | 132-4806-03        | 1           | Light Mount                    |
| 13          | 107-1865           | 2           | R-Clamp                    | 39          | 132-4805-03        | 1           | Light Mount                    |
| 14          | 104-7050           | 1           | Tube-Manual                | 40          | 09263              | 2           | Washer                         |
| 15          | 104-7048           | 1           | Cap-Housing                | 41          | 09363              | 2           | Screw-HH                       |
| 16          | ZWP1F000U          | 4           | Washer                     | 42          | 140-9270           | 2           | Light-LED, 25 MM               |
| 17          | 09438              | 8           | Nut-Nyloc                  | 43          | 133-2797           | 1           | Disc-Plunger                   |
| 18          | 09362              | 2           | Screw-HH                   | 44          | 122-1869           | 2           | Harness-Wire, Jumper           |
| 19          | 92-8990            | 1           | Adjuster-Seat, Non-Locking | 45          | 99-7430            | 1           | Relay-Mini                     |
| 20          | 104-8300           | 10          | Nut-HF, NI                 | 46          | 119-4320           | 1           | Regulator                      |
| 21          | 68-3270            | 2           | Bumper-Rubber              | 47          | 09363              | 2           | Screw-HH                       |
| 22          | 09441              | 1           | Nut-Hex, NI                | 48          | 09472              | 2           | Washer-Plain                   |
| 23          | 33104-040          | 1           | Screw-HHF                  | 49          | 09438              | 2           | Nut-Nyloc                      |
| 24          | 66-2630            | 1           | Latch-Seat                 | 99          | 107-0342           | 1           | Sealant-Electrical ●           |
| 25          | 09361              | 2           | Screw-HH                   |             |                    |             |                                |

● Not illustrated

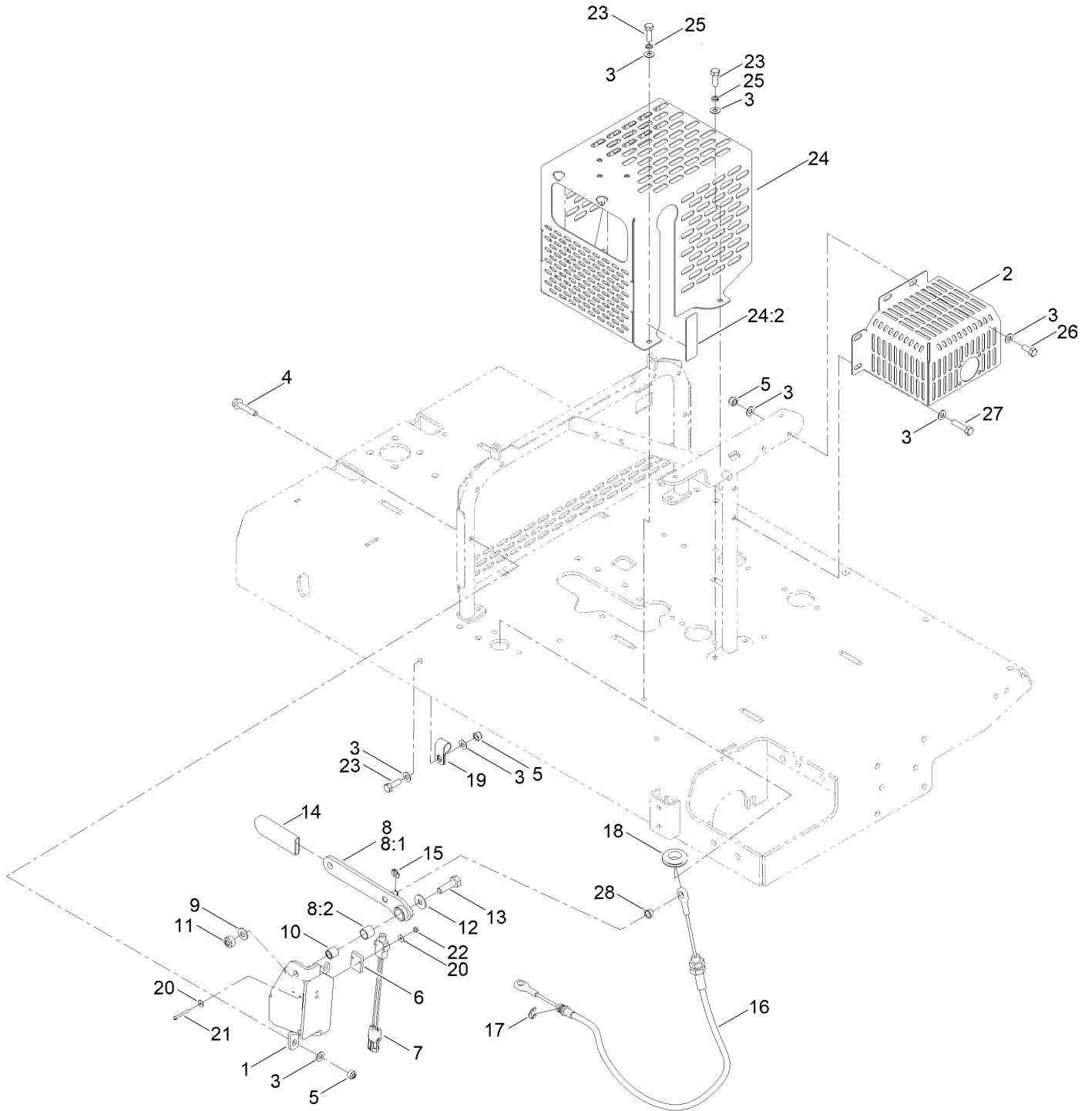
# Steering Wheel Assembly



## Steering Wheel Assembly (continued)

| <i>Ref.</i> | <i>Part Number</i> | <i>Qty.</i> | <i>Description</i>    | <i>Ref.</i> | <i>Part Number</i> | <i>Qty.</i> | <i>Description</i>  |
|-------------|--------------------|-------------|-----------------------|-------------|--------------------|-------------|---------------------|
| 2           | 98-1459            | 1           | Decal                 | 5:5         | 144-7208           | 1           | U-Joint Kit-Service |
| 3           | 98-1471            | 1           | Wheel-Steering        | 5:6         | 3257-7             | 1           | Key-Woodruff        |
| 3:1         | 98-1468            | 1           | Cover-Wheel, Steering | 5:7         | 3220-6             | 1           | Nut-Jam             |
| 5           | 140-0343           | 1           | Column-Steering       | 6           | 132-7084-01        | 1           | Steering Pivot      |
| 5:1         | 140-0347           | 1           | Boot                  | 7           | 3256-27            | 1           | Washer-Flat         |
| 5:2         | 140-0348           | 1           | Damper                | 9           | 09391              | 1           | Screw-HH            |
| 5:3         | 144-7206           | 2           | Bearing-Column        | 10          | 09392              | 4           | Screw-HH            |
| 5:4         | 144-7207           | 1           | Pedal ASM-Service     | 11          | ZWQ1J000U          | 4           | Washer-Plain        |

# Parking Brake Assembly



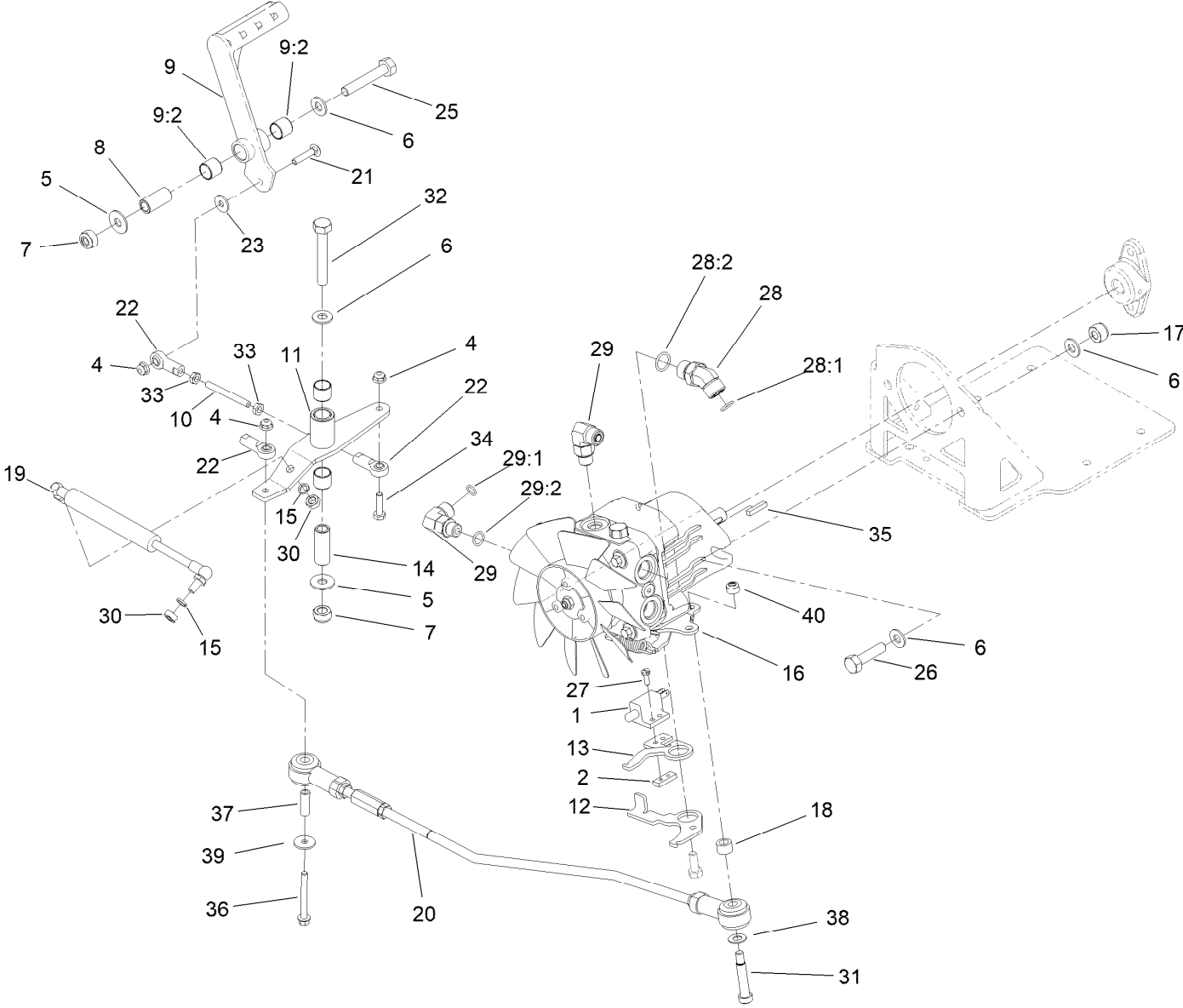


## Parking Brake Assembly (continued)

| <i>Ref.</i> | <i>Part Number</i> | <i>Qty.</i> | <i>Description</i>   | <i>Ref.</i> | <i>Part Number</i> | <i>Qty.</i> | <i>Description</i>              |
|-------------|--------------------|-------------|----------------------|-------------|--------------------|-------------|---------------------------------|
| 1           | 132-4837-03        | 1           | Support-Lever, Brake | 15          | 32151-47           | 1           | Ring-Retaining                  |
| 2           | 132-4801-03        | 1           | Guard-Exhaust        | 16          | 136-6225           | 1           | Cable-Brake, Park               |
| 3           | 09475              | 14          | Washer               | 17          | 32120-47           | 1           | Ring-Retaining, External        |
| 4           | 33104-040          | 3           | Screw-HHF            | 18          | 1-543286           | 1           | Grommet                         |
| 5           | 09441              | 7           | Nut-Hex, NI          | 19          | 2412-41            | 1           | Clamp-R                         |
| 6           | 131-6383           | 1           | Spacer               | 20          | 3269-6             | 4           | Washer-Flat                     |
| 7           | 99-3410            | 1           | Switch               | 21          | 3249-11            | 2           | Screw-Machine                   |
| 8           | 132-4839           | 1           | Brake Handle ASM     | 22          | 3296-9             | 2           | Nut-Hex                         |
| 8:1         | 132-4838           | 1           | Lever-Brake          | 23          | 03162              | 4           | Screw-HH                        |
| 8:2         | 256-311            | 1           | Bushing-Split        | 24          |                    | 1           | Transmission Cover<br>W/Decal ● |
| 9           | ZWQ1J000U          | 1           | Washer-Plain         | 24:2        | 120-0627           | 1           | Decal-Warning                   |
| 10          | 131-6386           | 1           | Bushing-Pivot        | 25          | 03469              | 3           | Washer-Spring                   |
| 11          | ZNN1J000U          | 1           | Nut-Hex, NI          | 26          | 09368              | 2           | Screw-HH                        |
| 12          | HY03355            | 1           | Washer-Plated        | 27          | ZDH1H035U          | 1           | Screw-HH                        |
| 13          | 09394              | 1           | Bolt                 | 28          | 132-9291           | 1           | Bushing-Cable                   |
| 14          | 21-1880            | 1           | Grip-Handle          |             |                    |             |                                 |

● Not serviced separately

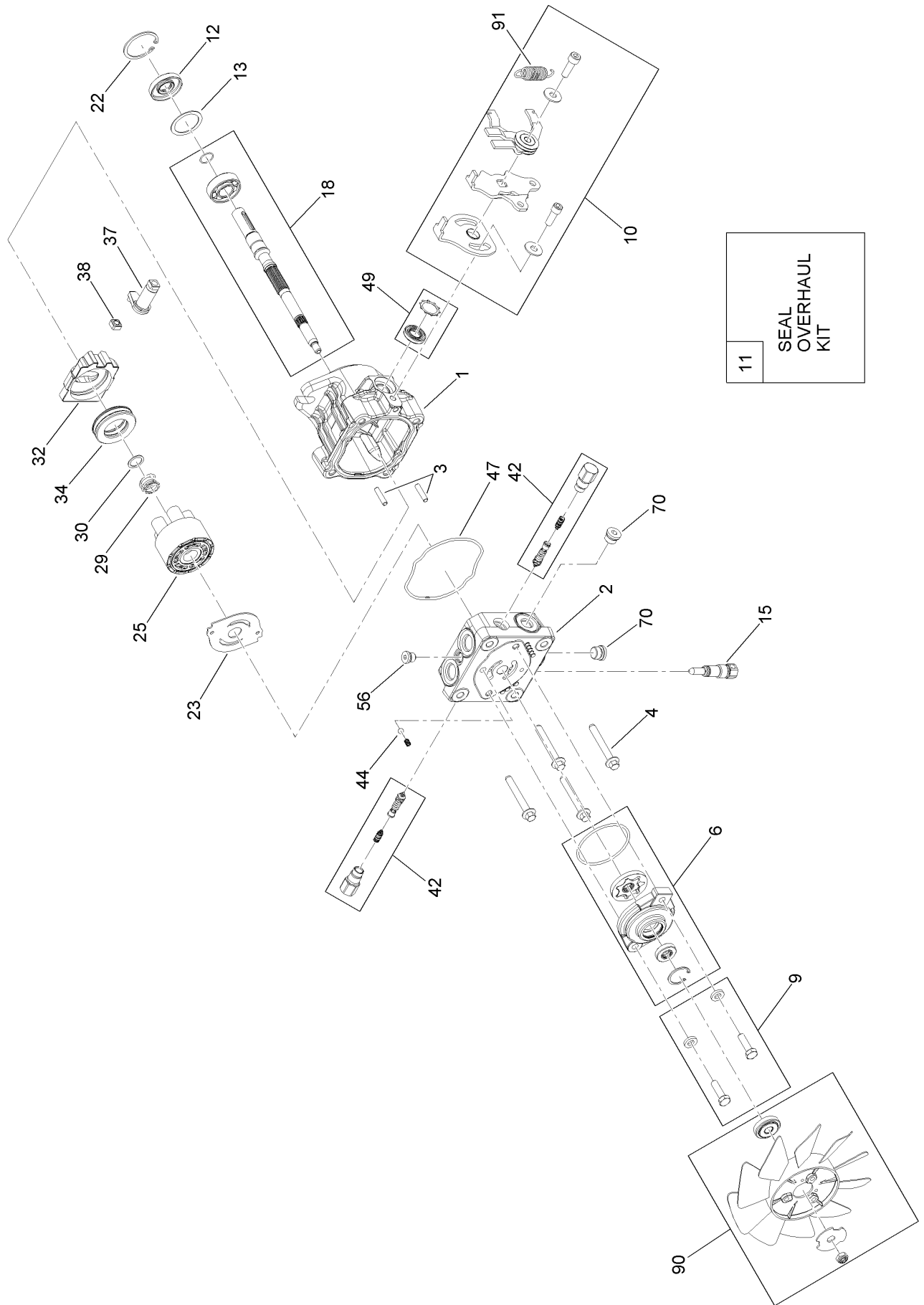
# Control Assembly



## Control Assembly (continued)

| <i>Ref.</i> | <i>Part Number</i> | <i>Qty.</i> | <i>Description</i>     | <i>Ref.</i> | <i>Part Number</i> | <i>Qty.</i> | <i>Description</i>    |
|-------------|--------------------|-------------|------------------------|-------------|--------------------|-------------|-----------------------|
| 1           | 1-513051           | 1           | Switch-Open, Normally  | 23          | 3256-78            | 2           | Washer-Flat           |
| 2           | 1-633181           | 1           | Plate-Tapped           | 25          | 09397              | 2           | Bolt                  |
| 4           | 104-7201           | 4           | Nut-HF, NI             | 26          | 09611              | 2           | Bolt-HH               |
| 5           | HY03355            | 3           | Washer-Plated          | 27          | 32105-8            | 2           | Screw-SHH             |
| 6           | ZWQ1J000U          | 7           | Washer-Plain           | 28          | 340-101            | 2           | Fitting-HYD, 45 DEG   |
| 7           | ZNN1J000U          | 3           | Nut-Hex, NI            | 28:1        | 237-30             | 1           | O-Ring                |
| 8           | 131-6350           | 2           | Bushing-Pivot          | 28:2        | 237-79             | 1           | O-Ring                |
| 9           | 138-2206           | 2           | Traction Pedal ASM     | 29          | 340-77             | 2           | Fitting-Elbow, 90 DEG |
| 9:2         | 256-311            | 2           | Bushing-Split          | 29:1        | 237-22             | 1           | O-Ring                |
| 10          | 132-9224           | 2           | Rod-Pedal              | 29:2        | 237-42             | 1           | O-Ring                |
| 11          | 144-3598           | 1           | Traction Bellcrank ASM | 30          | ZNH1H000U          | 2           | Nut-Hex               |
| 12          | 138-9106           | 1           | Arm                    | 31          | 138-0720           | 1           | Bolt-Shoulder, HSH    |
| 13          | 132-4796           | 1           | Arm                    | 32          | 09399              | 1           | Bolt                  |
| 14          | 138-9085           | 1           | Bushing-Pivot          | 33          | 3220-1             | 4           | Nut-Jam               |
| 15          | 03469              | 2           | Washer-Spring          | 34          | 321-6              | 1           | Screw-HH              |
| 16          | 132-4797           | 1           | Pump-Hydraulic         | 35          | 111-5724           | 1           | Key-Square            |
| 17          | 09447              | 2           | Nut                    | 36          | 138-3326           | 1           | Screw-HHF             |
| 18          | 92-9025            | 1           | Spacer                 | 37          | 144-3593           | 1           | Spacer                |
| 19          | 132-4807           | 1           | Damper                 | 38          | 09271              | 1           | Washer-Plain          |
| 20          | 144-3580           | 1           | Traction Link ASM      | 39          | 09263              | 1           | Washer                |
| 21          | 3229-3             | 2           | Screw-CARR             | 40          | ZNN3E000U          | 1           | Nut-Nyloc             |
| 22          | 2411-41            | 4           | Rod End-Ball Joint     |             |                    |             |                       |

# Hydraulic Pump Assembly No. 132-4797

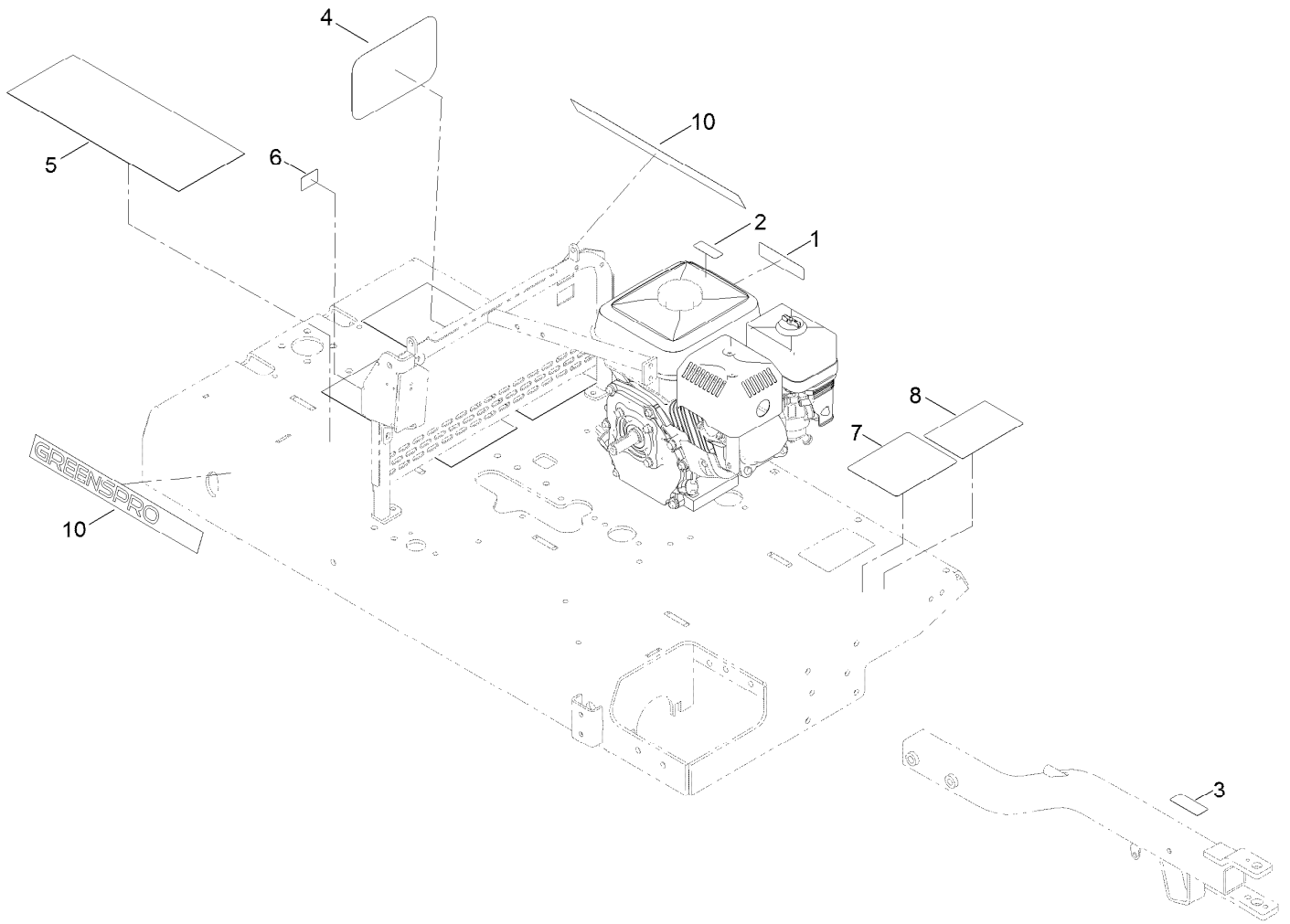


# Hydraulic Pump Assembly No. 132-4797 (continued)

| <i>Ref.</i> | <i>Part Number</i> | <i>Qty.</i> | <i>Description</i>     | <i>Ref.</i> | <i>Part Number</i> | <i>Qty.</i> | <i>Description</i>           |
|-------------|--------------------|-------------|------------------------|-------------|--------------------|-------------|------------------------------|
| 1           | 133-1780           | 1           | Housing Kit            | 30          | 133-1794           | 1           | Washer-Flat                  |
| 2           | 133-1781           | 1           | Endcap Kit             | 32          | 133-1795           | 1           | Swashplate-Coated, 10Cc      |
| 3           | 106-8753           | 2           | Pin-Headless, Straight | 34          | 121-3235           | 1           | Bearing-Thrust, Plastic Cage |
| 4           | 133-1783           | 4           | Hex Flange Bolt        | 37          | 133-1797           | 1           | Arm-Trunnion, Square (Taper) |
| 6           | 133-1784           | 1           | STD Charge Pump Kit    | 38          | 133-1798           | 1           | Slot-Guide                   |
| 9           | 133-1785           | 1           | Charge Pump Bolt Kit   | 42          | 133-1799           | 2           | Shock Valve 160 Bar Kit      |
| 10          | 115-4459           | 1           | Return Kit             | 44          | 136-6150           | 1           | Charge Relief Kit            |
| 11          | 105-6184           | 1           | Seal Overhaul Kit ●    | 47          | 125-4682           | 1           | O-Ring                       |
| 12          | 104-5310           | 1           | Seal-Lip               | 49          | 106-8761           | 1           | Trunnion Seal / Retainer Kit |
| 13          | 133-1787           | 1           | Washer-Flat            | 56          | 106-8762           | 1           | Plug-HSH                     |
| 15          | 106-8759           | 1           | Bypass Valve Kit       | 70          | 104-2189           | 2           | Plug-Thread, Straight        |
| 18          | 133-1789           | 1           | Shaft Kit              | 90          | 136-6154           | 1           | Fan/Hub Kit                  |
| 22          | 104-5309           | 1           | Ring-Retaining         | 91          | 115-8307           | 1           | Spring-Extension             |
| 23          | 105-6185           | 1           | Plate-Valve            |             |                    |             |                              |
| 25          | 103-2666           | 1           | Cylinder Block Kit     |             |                    |             |                              |
| 29          | 133-1793           | 1           | Spring-Block           |             |                    |             |                              |

● Not illustrated

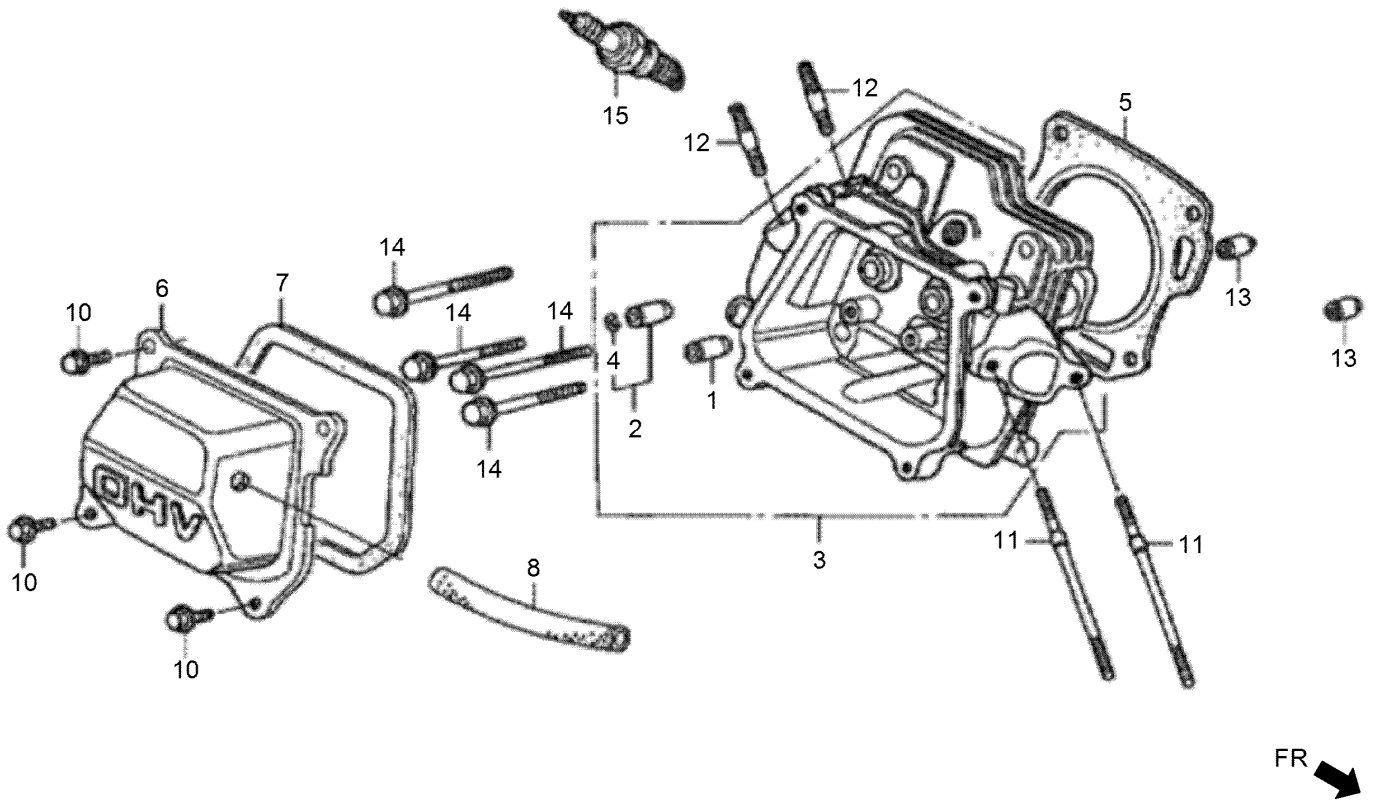
# Model Specific Decal Assembly



## Model Specific Decal Assembly (continued)

| <i>Ref.</i> | <i>Part Number</i> | <i>Qty.</i> | <i>Description</i>      | <i>Ref.</i> | <i>Part Number</i> | <i>Qty.</i> | <i>Description</i>    |
|-------------|--------------------|-------------|-------------------------|-------------|--------------------|-------------|-----------------------|
| 1           | 133-8062           | 1           | Decal-Arrestor, Spark   | 6           | 131-0440           | 1           | Decal-Brake, Parking  |
| 2           | 130-8322           | 1           | Decal-Warning, Ethanol  | 7           | 140-0268           | 1           | Decal-Service, Gp1260 |
| 3           | 127-5885           | 1           | Decal-Disconnect, Hitch | 8           | 127-5884           | 1           | Decal-Operation       |
| 4           | 67-7320            | 1           | Decal                   | 10          | 132-9298           | 2           | Decal                 |
| 5           | 70-07-067          | 4           | Tape-Slip, Anti         |             |                    |             |                       |

# Cylinder Head Assembly

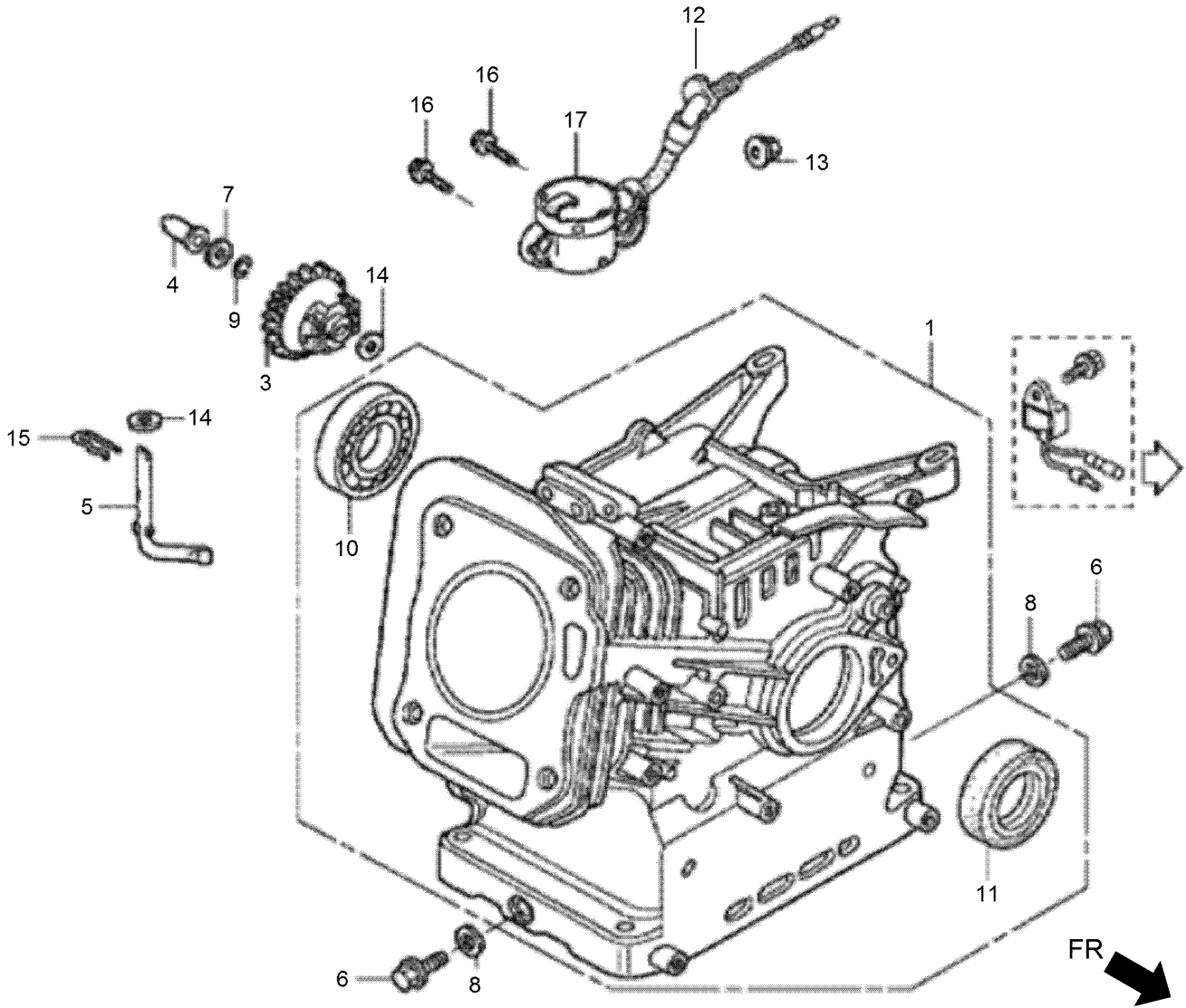




## Cylinder Head Assembly (continued)

| <i>Ref.</i> | <i>Part Number</i> | <i>Qty.</i> | <i>Description</i>   | <i>Ref.</i> | <i>Part Number</i> | <i>Qty.</i> | <i>Description</i> |
|-------------|--------------------|-------------|----------------------|-------------|--------------------|-------------|--------------------|
| 1           | 132-0118           | 1           | Guide-Intake Valve   | 8           | 132-0234           | 1           | Tube-Breather      |
| 2           | 132-0119           | 1           | Guide-Exhaust Valve  | 10          | 132-4880           | 4           | Bolt-Flange-6X12   |
| 3           | 132-0124           | 1           | Cylinder Head ASM    | 11          | 132-0612           | 2           | Bolt-Stud-6X112    |
| 4           | 132-0125           | 1           | Clip-Valve Guide     | 12          | 132-0615           | 2           | Bolt-Stud-8X32     |
| 5           | 132-0126           | 1           | Gasket-Cylinder Head | 13          | 132-0697           | 2           | Dowel Pin-10X16    |
| 6           | 132-0127           | 1           | Head Cover ASM       | 14          | 131-8226           | 4           | Bolt-Flange-8X60   |
| 7           | 132-0133           | 1           | Packing-Head Cover   | 15          | 81-3250            | 1           | Spark Plug         |

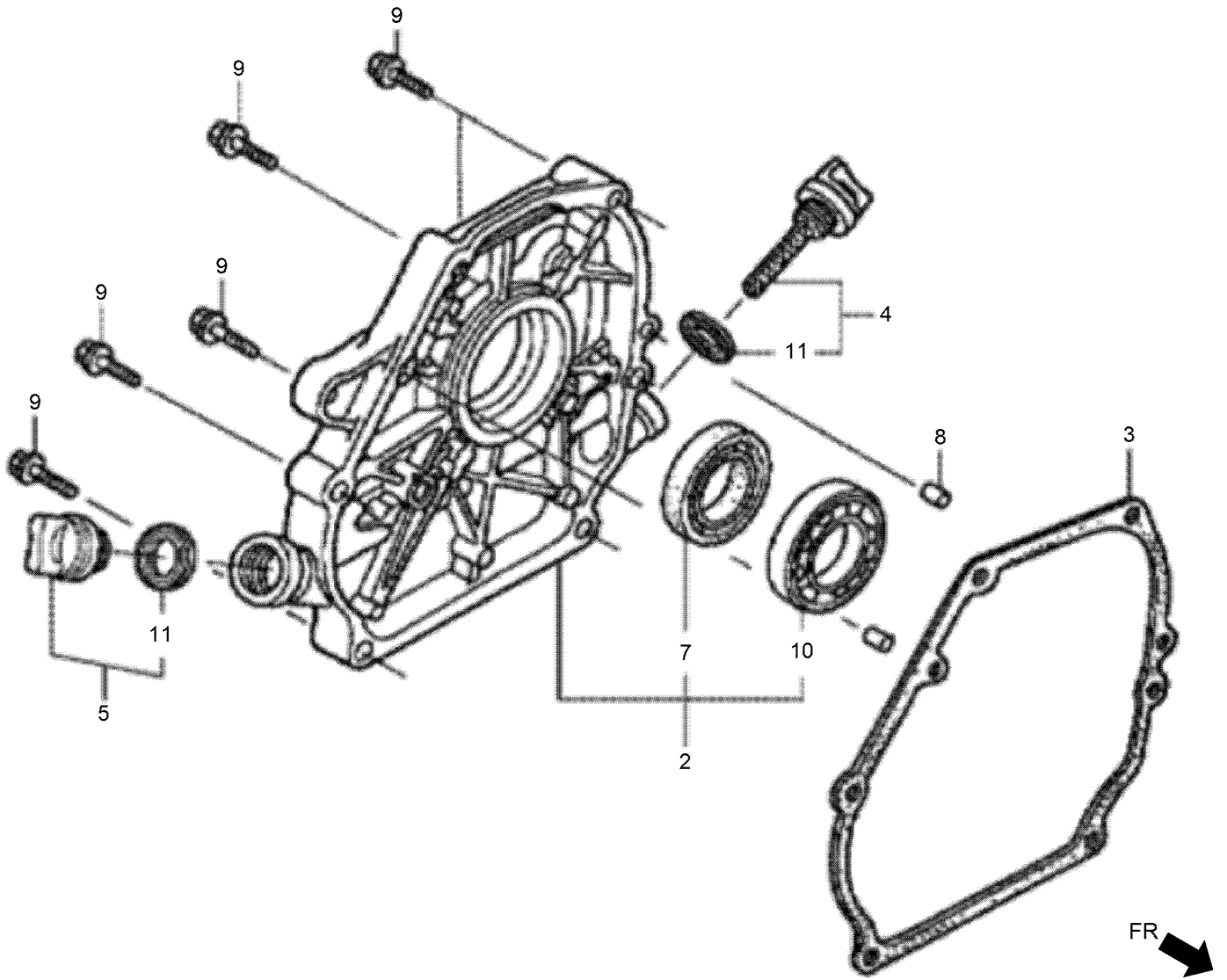
# Cylinder Barrel Assembly



## Cylinder Barrel Assembly (continued)

| <i>Ref.</i> | <i>Part Number</i> | <i>Qty.</i> | <i>Description</i>       | <i>Ref.</i> | <i>Part Number</i> | <i>Qty.</i> | <i>Description</i>   |
|-------------|--------------------|-------------|--------------------------|-------------|--------------------|-------------|----------------------|
| 1           | 132-0114           | 1           | Barrel ASM-Cylinder      | 10          | 132-0649           | 1           | Bearing-Radial Ball  |
| 3           | 132-0294           | 1           | Governor ASM             | 11          | 132-0654           | 1           | Oil Seal-25X41X6     |
| 4           | 132-0304           | 1           | Slider-Governor          | 11          | 132-0658           | 1           | Oil Seal-25X41.25X6  |
| 5           | 132-0307           | 1           | Shaft-Governor Arm       | 12          | 132-0668           | 1           | O-Ring-14MM          |
| 6           | 132-0622           | 2           | Bolt-Drain Plug          | 13          | 132-0686           | 1           | Nut-Flange-10MM      |
| 7           | 132-0635           | 1           | Washer-Thrust-6MM        | 14          | 132-0688           | 2           | Washer-Plain-6MM     |
| 8           | 132-0640           | 2           | Washer-Drain Plug-10.2MM | 15          | 132-0693           | 1           | Pin-Lock-8MM         |
| 9           | 132-0642           | 1           | Clip-Governor Holder     | 16          | 131-8221           | 2           | Bolt-Flange-6X12     |
| 10          | 132-0651           | 1           | Bearing-Radial Ball      | 17          | 132-0532           | 1           | Switch ASM-Oil Level |
| 10          | 132-0650           | 1           | Bearing-Radial Ball      |             |                    |             |                      |

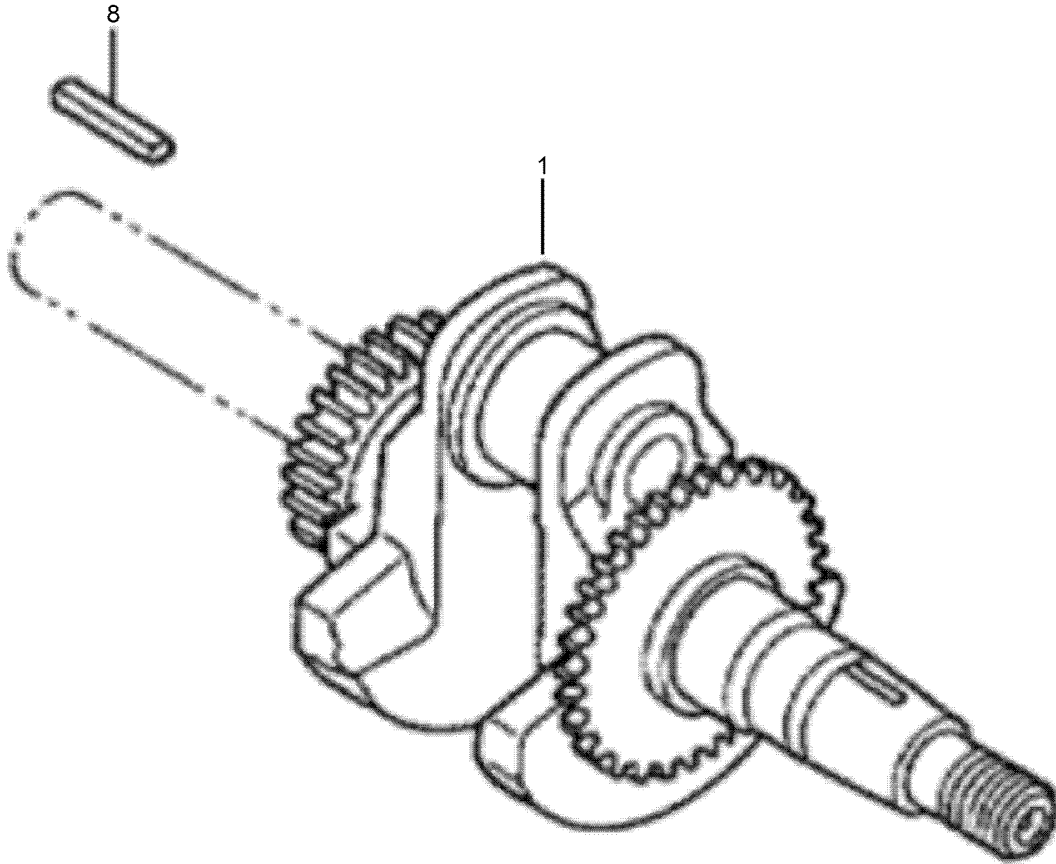
# Crankcase Cover Assembly



## Crankcase Cover Assembly (continued)

| <i>Ref.</i> | <i>Part Number</i> | <i>Qty.</i> | <i>Description</i>  | <i>Ref.</i> | <i>Part Number</i> | <i>Qty.</i> | <i>Description</i>       |
|-------------|--------------------|-------------|---------------------|-------------|--------------------|-------------|--------------------------|
| 2           | 132-0103           | 1           | Cover ASM-Crankcase | 7           | 132-0658           | 1           | Oil Seal-25X41.25X6      |
| 3           | 132-0108           | 1           | Packing-Case Cover  | 8           | 132-0695           | 2           | Dowel Pin-8X14           |
| 4           | 132-0220           | 1           | Cap ASM-Oil Filler  | 9           | 131-8225           | 6           | Bolt-Flange-8X32         |
| 5           | 132-0221           | 1           | Cap ASM-Oil Filler  | 10          | 131-8227           | 1           | Bearing-Radial Ball-6205 |
| 7           | 132-0654           | 1           | Oil Seal-25X41X6    | 11          | 132-0224           | 2           | Packing-Oil Filler Cap   |

# Crankshaft Assembly

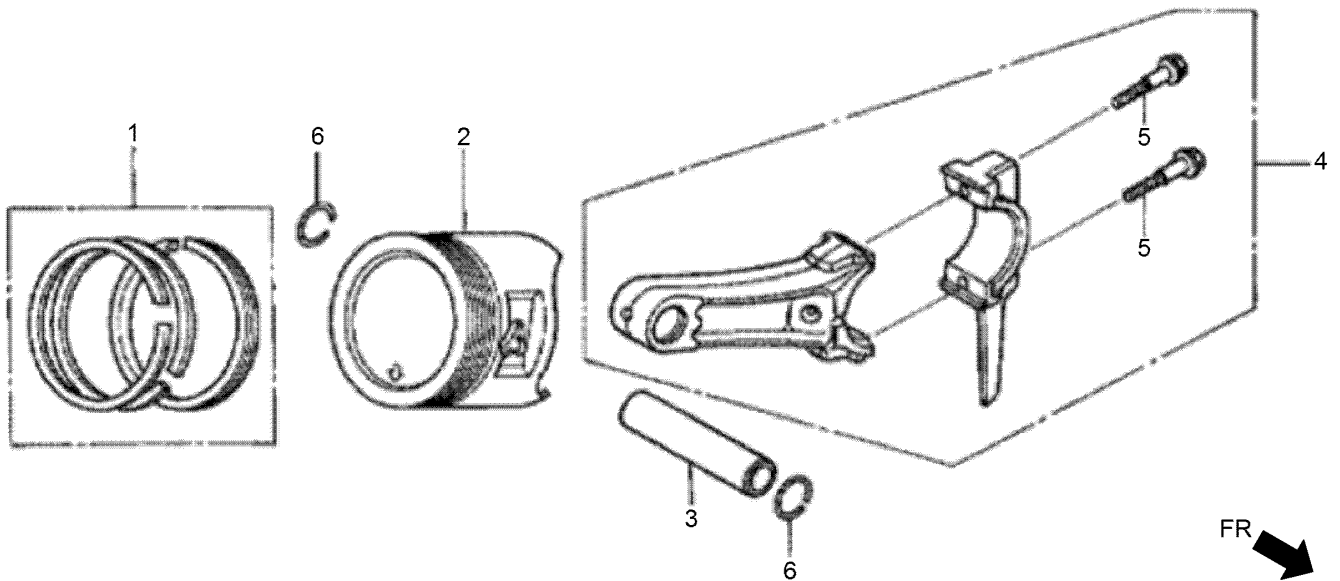


FR 

## Crankshaft Assembly (continued)

| <i>Ref.</i> | <i>Part Number</i> | <i>Qty.</i> | <i>Description</i> |
|-------------|--------------------|-------------|--------------------|
| 1           | 132-0164           | 1           | Crankshaft ASM     |
| 8           | 132-0647           | 1           | Key-5X5X33         |

# Piston and Connecting Rod Assembly

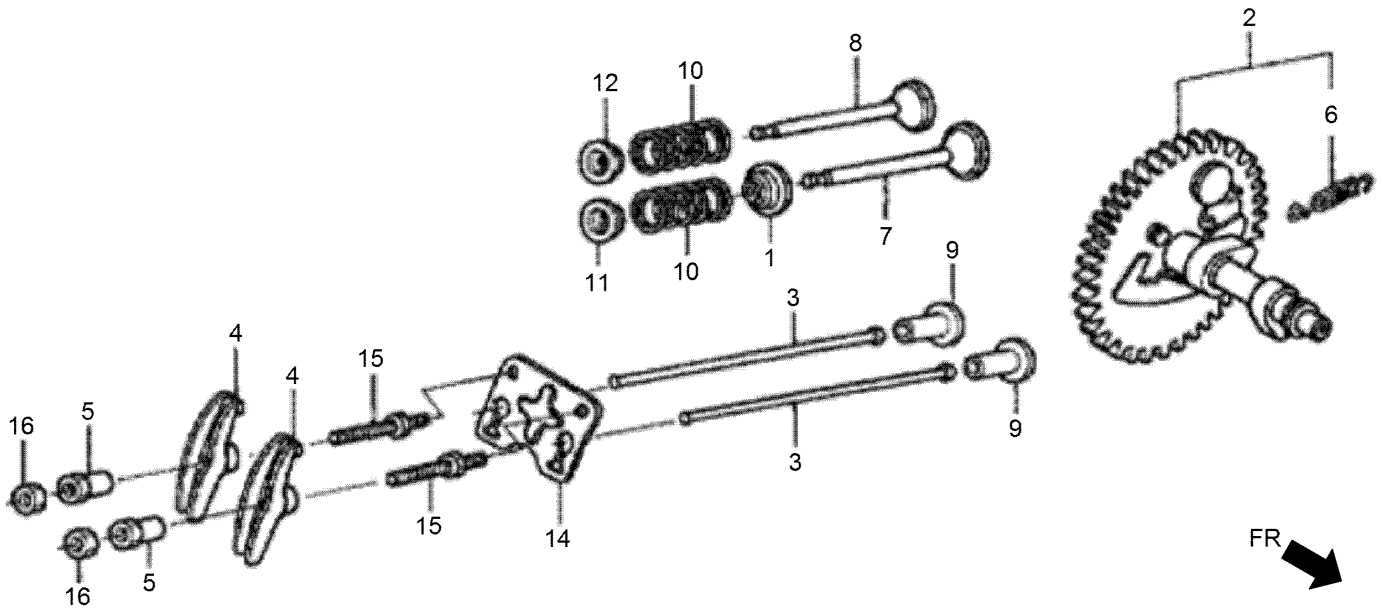




## Piston and Connecting Rod Assembly (continued)

| <i>Ref.</i> | <i>Part Number</i> | <i>Qty.</i> | <i>Description</i>    | <i>Ref.</i> | <i>Part Number</i> | <i>Qty.</i> | <i>Description</i>   |
|-------------|--------------------|-------------|-----------------------|-------------|--------------------|-------------|----------------------|
| 1           | 132-0137           | 1           | Ring Set-Piston (STD) | 4           | 132-0155           | 1           | Rod ASM-Connecting   |
| 1           | 132-0138           | 1           | Ring Set-Piston (STD) | 5           | 132-0573           | 2           | Bolt-Connecting Rod  |
| 2           | 132-0144           | 1           | Piston                | 6           | 132-0637           | 2           | Clip-Piston Pin-18MM |
| 3           | 132-0150           | 1           | Pin-Piston            |             |                    |             |                      |

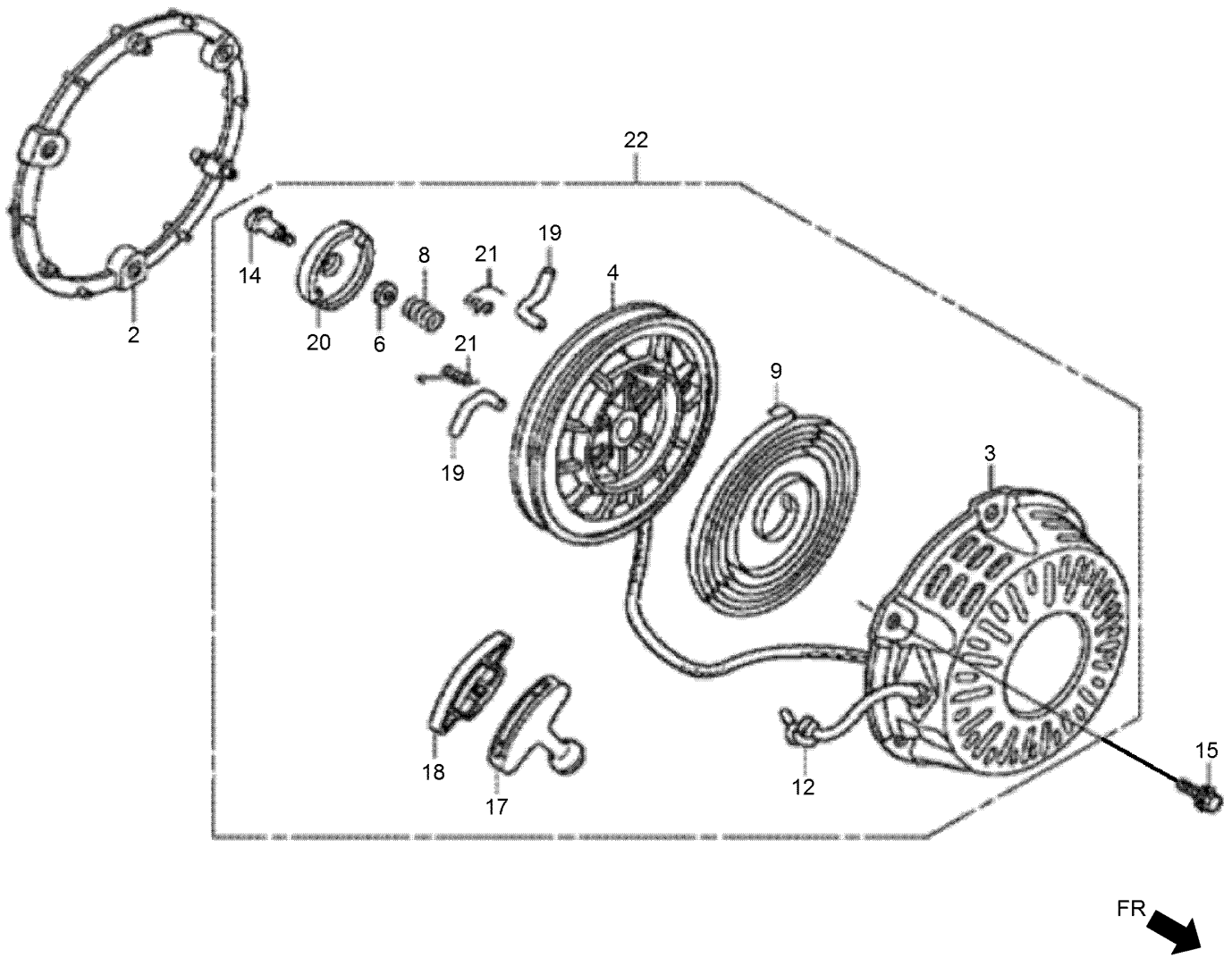
# Camshaft Assembly



## Camshaft Assembly (continued)

| <i>Ref.</i> | <i>Part Number</i> | <i>Qty.</i> | <i>Description</i>   | <i>Ref.</i> | <i>Part Number</i> | <i>Qty.</i> | <i>Description</i>              |
|-------------|--------------------|-------------|----------------------|-------------|--------------------|-------------|---------------------------------|
| 1           | 132-0120           | 1           | Seal-Valve Stem      | 10          | 132-0206           | 2           | Spring-Valve                    |
| 2           | 132-0172           | 1           | Camshaft ASM         | 11          | 132-0211           | 1           | Retainer-Intake Valve<br>Spring |
| 3           | 132-0181           | 2           | Rod-Push             | 12          | 132-0211           | 1           | Retainer-Intake Valve<br>Spring |
| 4           | 132-0184           | 2           | Arm-Valve Rocker     | 14          | 132-0215           | 1           | Plate-Push Rod Guide            |
| 5           | 132-0188           | 2           | Pivot-Rocker Arm     | 15          | 132-0592           | 2           | Bolt-Pivot-8MM                  |
| 6           | 132-0191           | 1           | Spring-Weight Return | 16          | 132-0629           | 2           | Nut-Pivot Adjusting             |
| 7           | 132-0194           | 1           | Valve-Intake         |             |                    |             |                                 |
| 8           | 132-0198           | 1           | Valve-Exhaust        |             |                    |             |                                 |
| 9           | 132-0203           | 2           | Lifter-Valve         |             |                    |             |                                 |

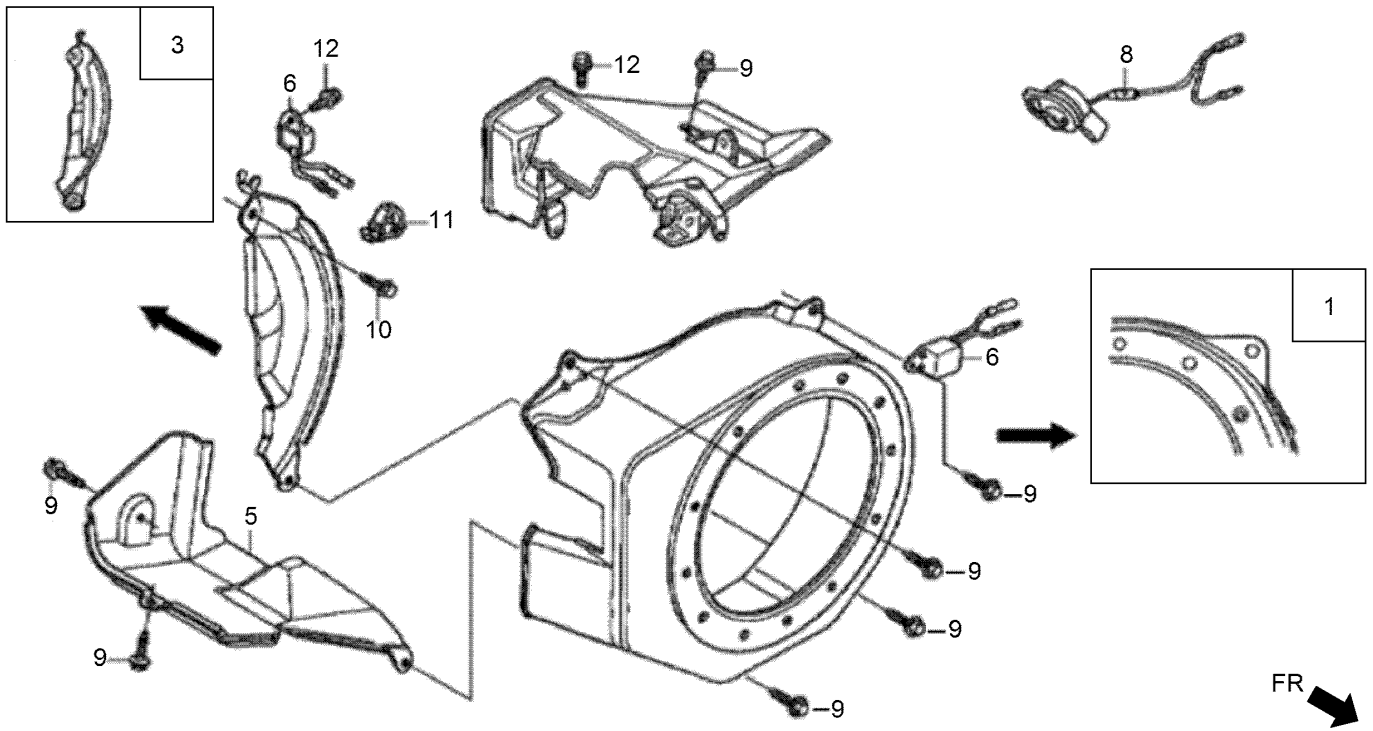
# Recoil Starter Assembly



## Recoil Starter Assembly (continued)

| <i>Ref.</i> | <i>Part Number</i> | <i>Qty.</i> | <i>Description</i>                | <i>Ref.</i> | <i>Part Number</i> | <i>Qty.</i> | <i>Description</i>  |
|-------------|--------------------|-------------|-----------------------------------|-------------|--------------------|-------------|---------------------|
| 2           | 132-0485           | 1           | Spacer-Recoil Starter Mtg         | 14          | 132-0579           | 1           | Screw-Setting       |
| 3           | 132-0486           | 1           | Recoil Starter Case ASM<br>(R280) | 15          | 131-8223           | 3           | Bolt-Flange-6X18    |
| 4           | 138-9142           | 1           | Reel-Recoil, Starter              | 17          | 132-0502           | 1           | Knob-Recoil Starter |
| 6           | 132-0492           | 1           | Plate-Friction                    | 18          | 132-0509           | 1           | Knob-Reinforcement  |
| 8           | 132-0494           | 1           | Spring-Friction                   | 19          | 138-9143           | 2           | Ratchet-Starter     |
| 9           | 132-0495           | 1           | Spring-Recoil Starter             | 20          | 138-9144           | 1           | Guide-Ratchet       |
| 12          | 132-0507           | 1           | Rope-Recoil Starter               | 21          | 138-9145           | 2           | Spring-Return       |
|             |                    |             |                                   | 22          | 138-9123           | 1           | Starter ASM-Recoil  |

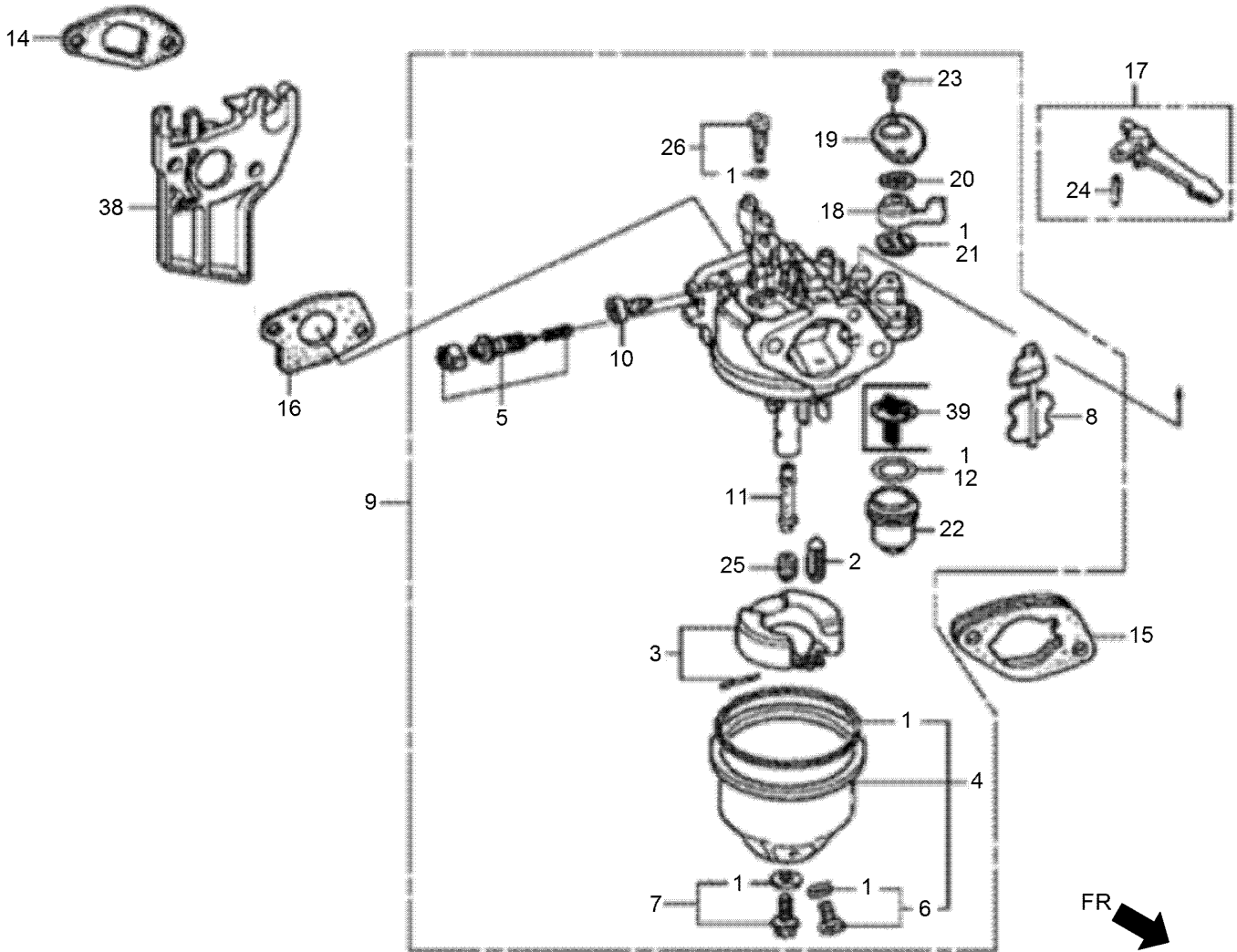
# Fan Cover Assembly



## Fan Cover Assembly (continued)

| <i>Ref.</i> | <i>Part Number</i> | <i>Qty.</i> | <i>Description</i>                    | <i>Ref.</i> | <i>Part Number</i> | <i>Qty.</i> | <i>Description</i>               |
|-------------|--------------------|-------------|---------------------------------------|-------------|--------------------|-------------|----------------------------------|
| 1           | 132-0464           | 1           | Fan Cover ASM (R280)                  | 8           | 140-0252           | 1           | Switch ASM., Engine Stop (Minda) |
| 3           | 132-0469           | 1           | Side Plate ASM                        | 9           | 132-4880           | 6           | Bolt-Flange-6X12                 |
| 5           | 132-0473           | 1           | Shroud ASM                            | 10          | 132-0605           | 1           | Bolt-Flange-6X20                 |
| 6           | 132-0529           | 1           | Alert Unit-Oil                        | 11          | 132-0641           | 1           | Clip-Harness                     |
| 8           | 140-0251           | 1           | Switch ASM., Engine Stop (Toyo Denso) | 12          | 131-8220           | 1           | Bolt-Flange-6X8                  |

# Carburetor Assembly

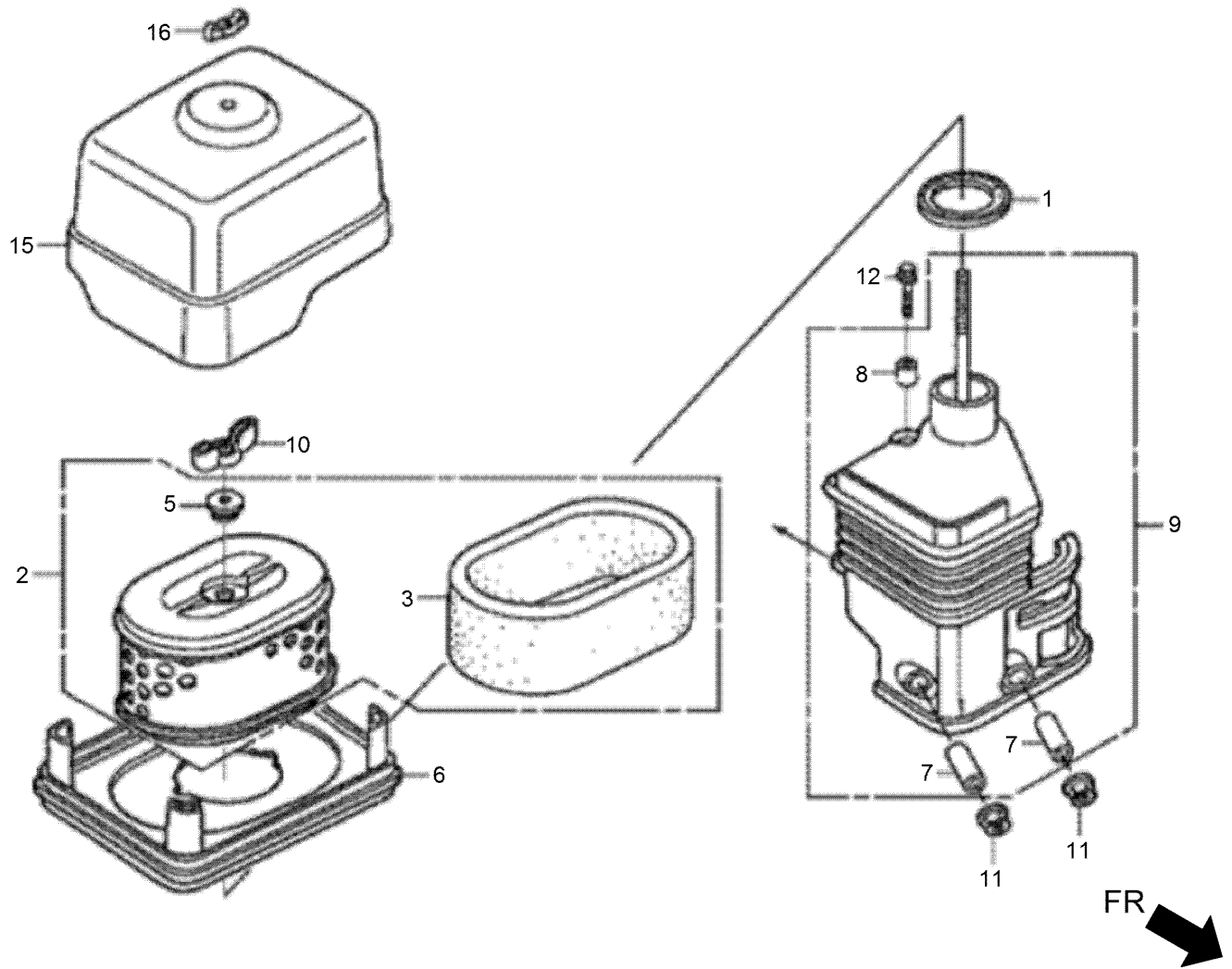




## Carburetor Assembly (continued)

| <i>Ref.</i> | <i>Part Number</i> | <i>Qty.</i> | <i>Description</i>        | <i>Ref.</i> | <i>Part Number</i> | <i>Qty.</i> | <i>Description</i>    |
|-------------|--------------------|-------------|---------------------------|-------------|--------------------|-------------|-----------------------|
| 1           | 132-0239           | 1           | Gasket Set                | 16          | 132-0287           | 1           | Packing-Carburetor    |
| 2           | 132-0241           | 1           | Valve Set-Float           | 17          | 132-0343           | 1           | Choke Lever ASM       |
| 3           | 132-0242           | 1           | Float Set                 | 18          | 132-0359           | 1           | Lever-Cock            |
| 4           | 132-0247           | 1           | Chamber Set-Float         | 19          | 132-0360           | 1           | Plate-Lever Setting   |
| 5           | 132-0250           | 1           | Screw Set-Pilot           | 20          | 132-0362           | 1           | Spring-Cock Lever     |
| 6           | 132-0251           | 1           | Screw Set-Drain           | 21          | 132-0364           | 1           | Packing-Fuel Cock     |
| 7           | 132-0253           | 1           | Screw Set                 | 22          | 132-0366           | 1           | Cup-Fuel Strainer     |
| 8           | 132-0257           | 1           | Choke Set                 | 23          | 132-0676           | 2           | Screw-Pan-3X6         |
| 9           | 132-0265           | 1           | Carburetor ASM            | 24          | 132-0698           | 1           | Pin-Spring-2X12       |
| 10          | 132-0268           | 1           | Screw-Throttle Stop       | 25          | 131-8237           | 1           | Jet-Main, No. 75      |
| 11          | 132-0272           | 1           | Nozzle-Main               | 26          | 131-8239           | 1           | Jet Set-Pilot, No. 40 |
| 12          | 132-0276           | 1           | Packing-Fuel Strainer Cup | 38          | 132-0278           | 1           | Insulator-Carburetor  |
| 14          | 132-0281           | 1           | Packing-Insulator         | 39          | 132-0365           | 1           | Filter-Cup            |
| 15          | 132-0284           | 1           | Carburetor Spacer ASM     |             |                    |             |                       |

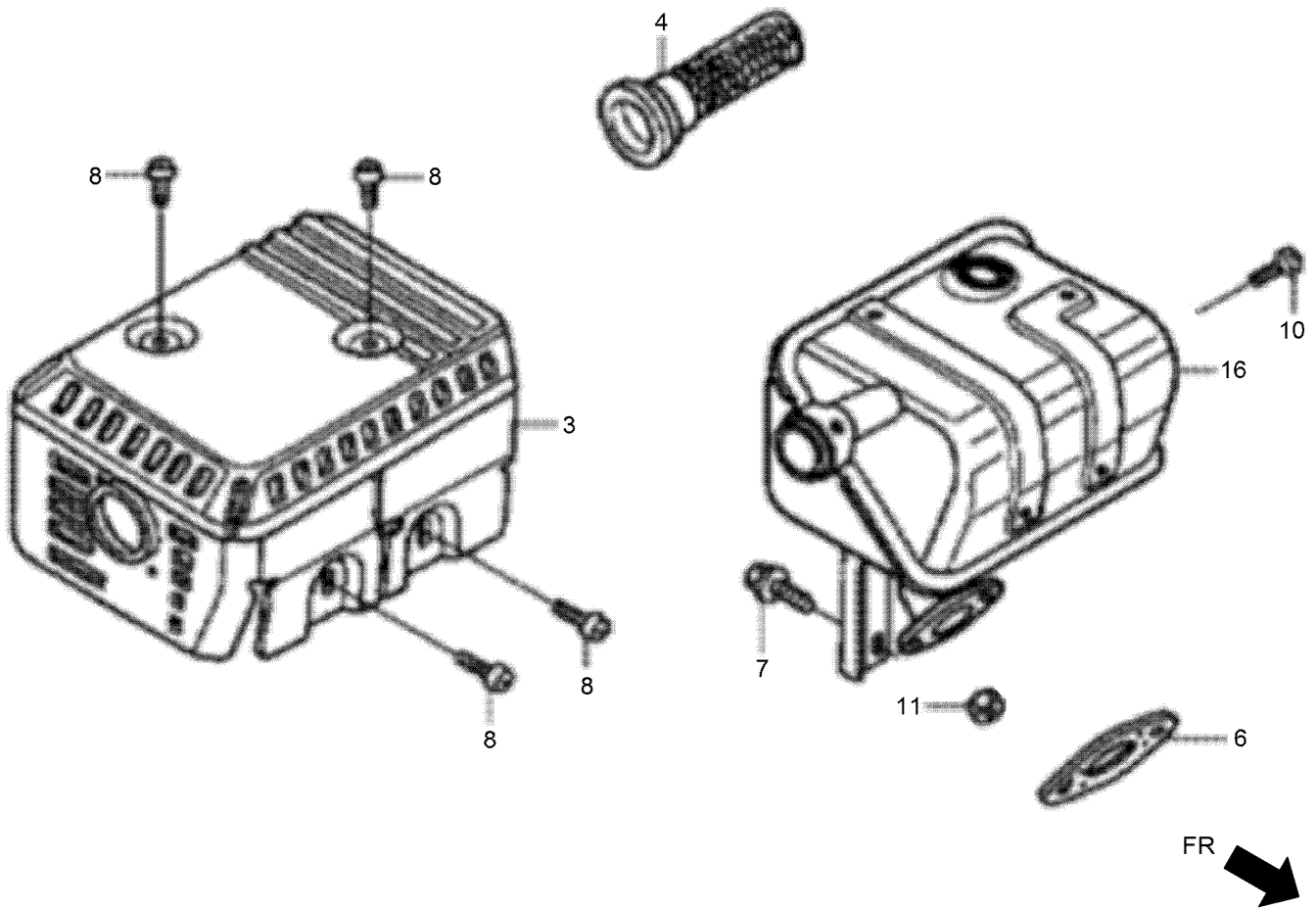
# Air Cleaner Assembly



## Air Cleaner Assembly (continued)

| <i>Ref.</i> | <i>Part Number</i> | <i>Qty.</i> | <i>Description</i>          | <i>Ref.</i> | <i>Part Number</i> | <i>Qty.</i> | <i>Description</i>     |
|-------------|--------------------|-------------|-----------------------------|-------------|--------------------|-------------|------------------------|
| 1           | 132-0291           | 1           | Packing-Elbow               | 9           | 132-0396           | 1           | Elbow Comp-Air Cleaner |
| 2           | 138-9146           | 1           | Element, Air Cleaner (Dual) | 10          | 132-0631           | 1           | Nut-Tool Box Setting   |
| 3           | 132-0372           | 1           | Filter-Outer                | 11          | 132-4881           | 2           | Nut-Flange-6MM         |
| 5           | 132-0391           | 1           | Grommet-Air Cleaner         | 12          | 131-8224           | 1           | Bolt-Flange-6X20       |
| 6           | 132-0392           | 1           | Nose-Silencer               | 15          | 132-0388           | 1           | Cover-Air Cleaner      |
| 7           | 132-0393           | 2           | Collar-Air Cleaner          | 16          | 138-9147           | 1           | Nut, Air Cleaner       |
| 8           | 132-0394           | 1           | Collar B-Air Cleaner        |             |                    |             |                        |

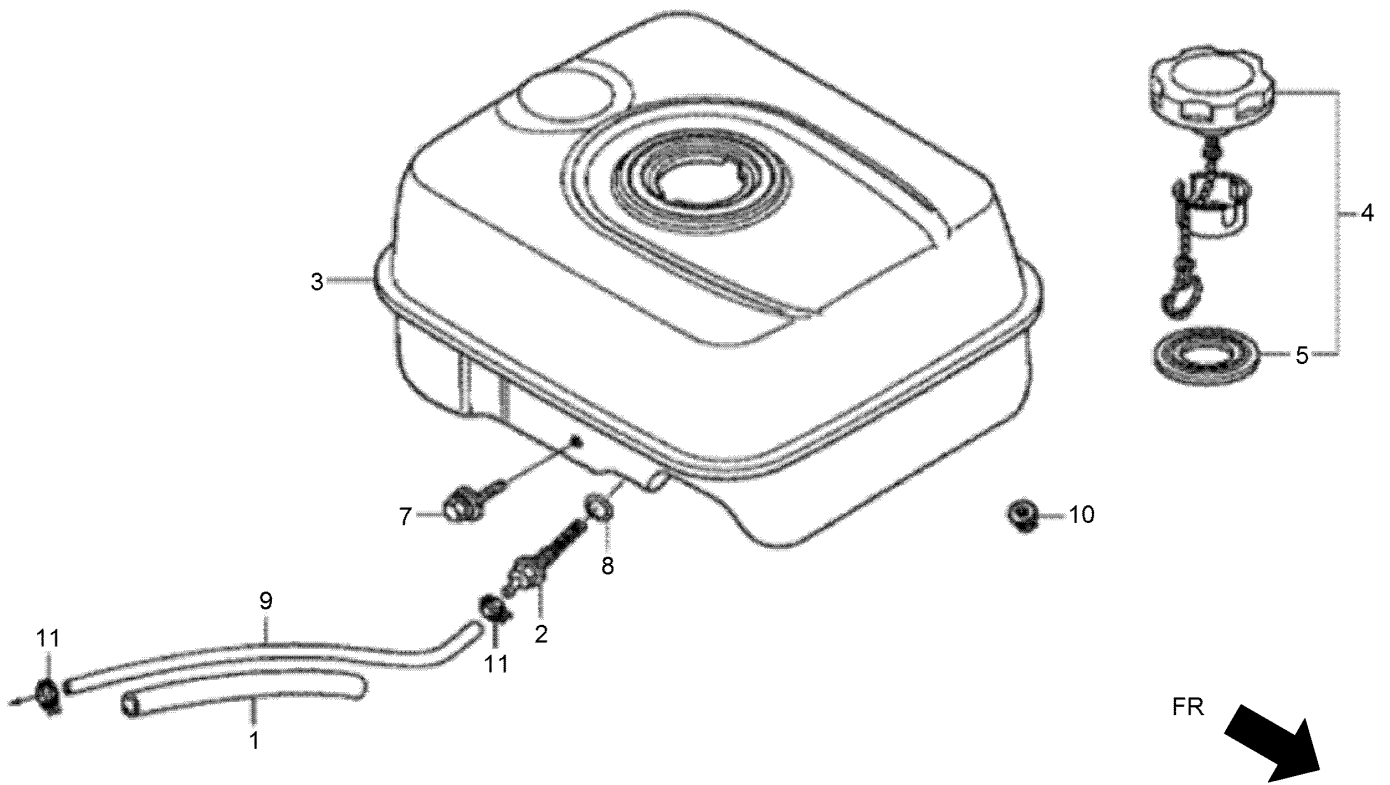
# Muffler Assembly



## Muffler Assembly (continued)

| <i>Ref.</i> | <i>Part Number</i> | <i>Qty.</i> | <i>Description</i>    | <i>Ref.</i> | <i>Part Number</i> | <i>Qty.</i> | <i>Description</i> |
|-------------|--------------------|-------------|-----------------------|-------------|--------------------|-------------|--------------------|
| 3           | 132-0453           | 1           | Muffler Protector ASM | 8           | 132-0616           | 4           | Screw-Tapping-5X8  |
| 4           | 132-0456           | 1           | Arrester-Spark        | 10          | 132-0617           | 1           | Screw-Tapping-4X6  |
| 6           | 132-0457           | 1           | Gasket-Muffler        | 11          | 132-0684           | 2           | Nut-Hex-8MM        |
| 7           | 132-0600           | 1           | Bolt-Flange-6X13      | 16          | 132-0446           | 1           | Muffler ASM        |

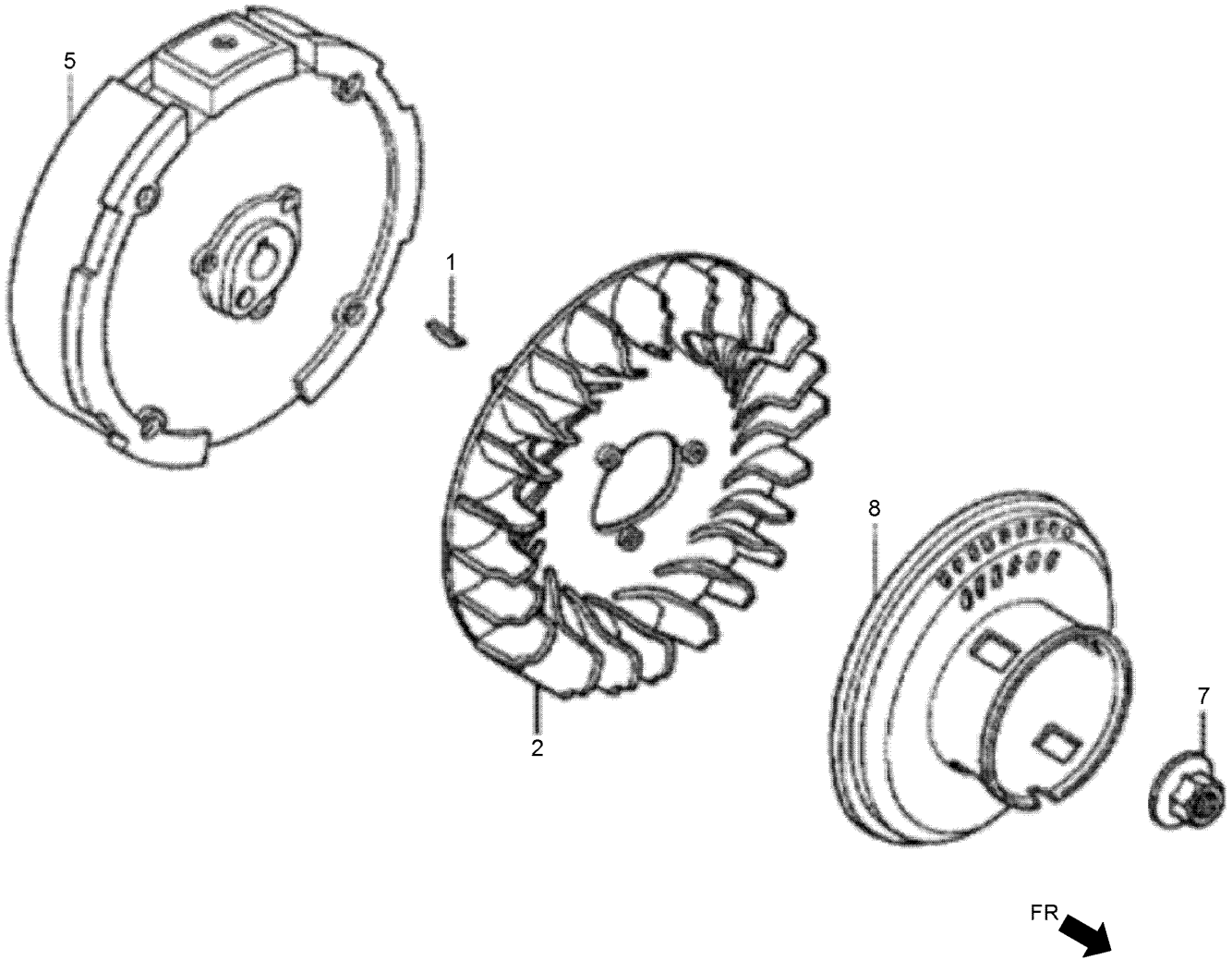
# Fuel Tank Assembly



## Fuel Tank Assembly (continued)

| <i>Ref.</i> | <i>Part Number</i> | <i>Qty.</i> | <i>Description</i>      | <i>Ref.</i> | <i>Part Number</i> | <i>Qty.</i> | <i>Description</i> |
|-------------|--------------------|-------------|-------------------------|-------------|--------------------|-------------|--------------------|
| 1           | 132-0349           | 1           | Rubber-Supporter        | 7           | 132-0583           | 1           | Bolt-Flange-6X34   |
| 2           | 132-0361           | 1           | Joint-Fuel Tank         | 8           | 132-0668           | 1           | O-Ring-14MM        |
| 3           | 132-0397           | 1           | Fuel Tank ASM (Nh31)    | 9           | 132-0669           | 1           | Tube-Fuel-4.5X145  |
| 4           | 132-0414           | 1           | Fuel Filler Cap ASM     | 10          | 132-4881           | 2           | Nut-Flange-6MM     |
| 5           | 132-0431           | 1           | Packing-Fuel Filler Cap | 11          | 131-8211           | 2           | Clamp-Tube         |

# Flywheel Assembly

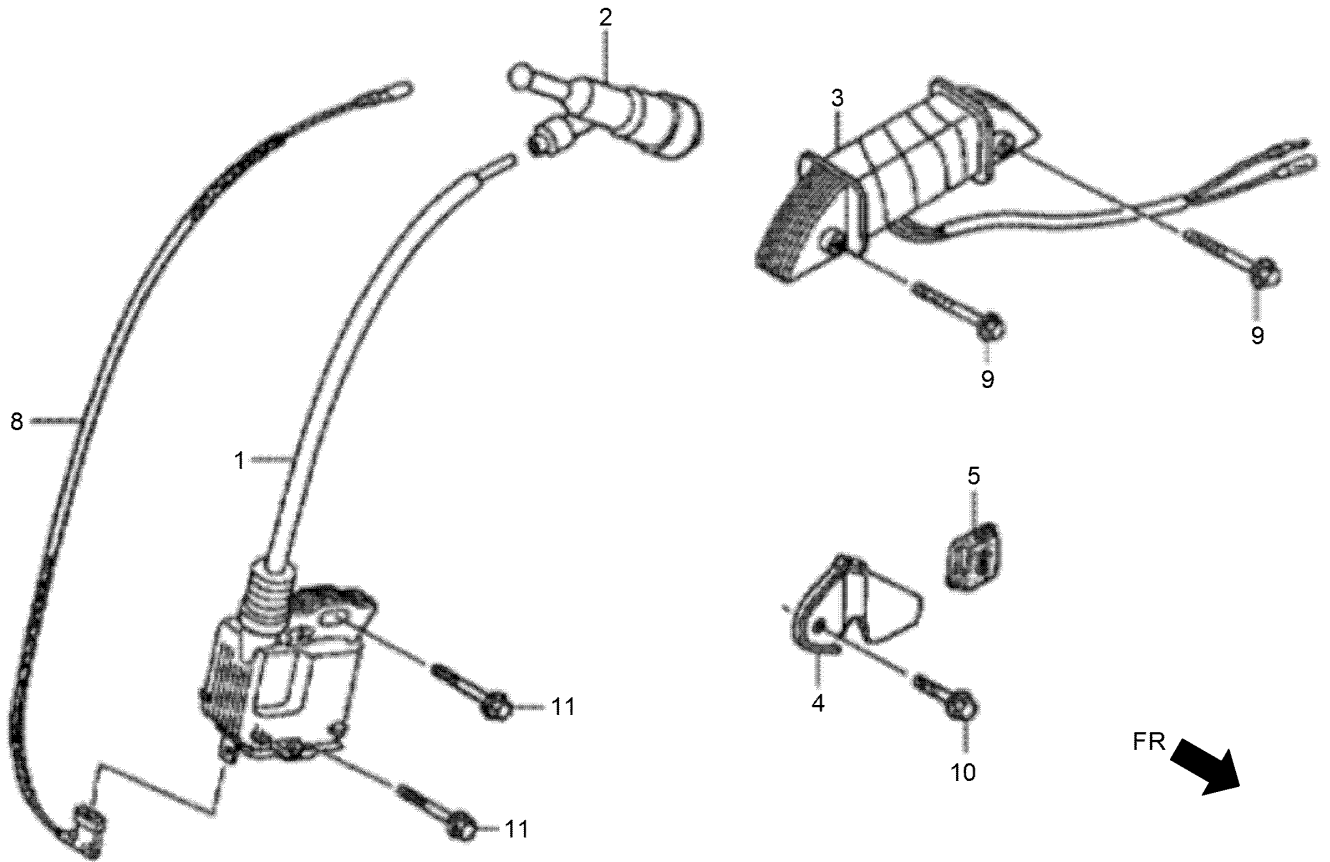




## Flywheel Assembly (continued)

| <i>Ref.</i> | <i>Part Number</i> | <i>Qty.</i> | <i>Description</i>            | <i>Ref.</i> | <i>Part Number</i> | <i>Qty.</i> | <i>Description</i> |
|-------------|--------------------|-------------|-------------------------------|-------------|--------------------|-------------|--------------------|
| 1           | 132-0167           | 1           | Key-Special<br>Woodruff-25X18 | 5           | 132-0519           | 1           | Flywheel ASM       |
| 2           | 132-0461           | 1           | Fan-Cooling                   | 7           | 132-0625           | 1           | Nut-Special-14MM   |
|             |                    |             |                               | 8           | 138-9148           | 1           | Pulley-Starter     |

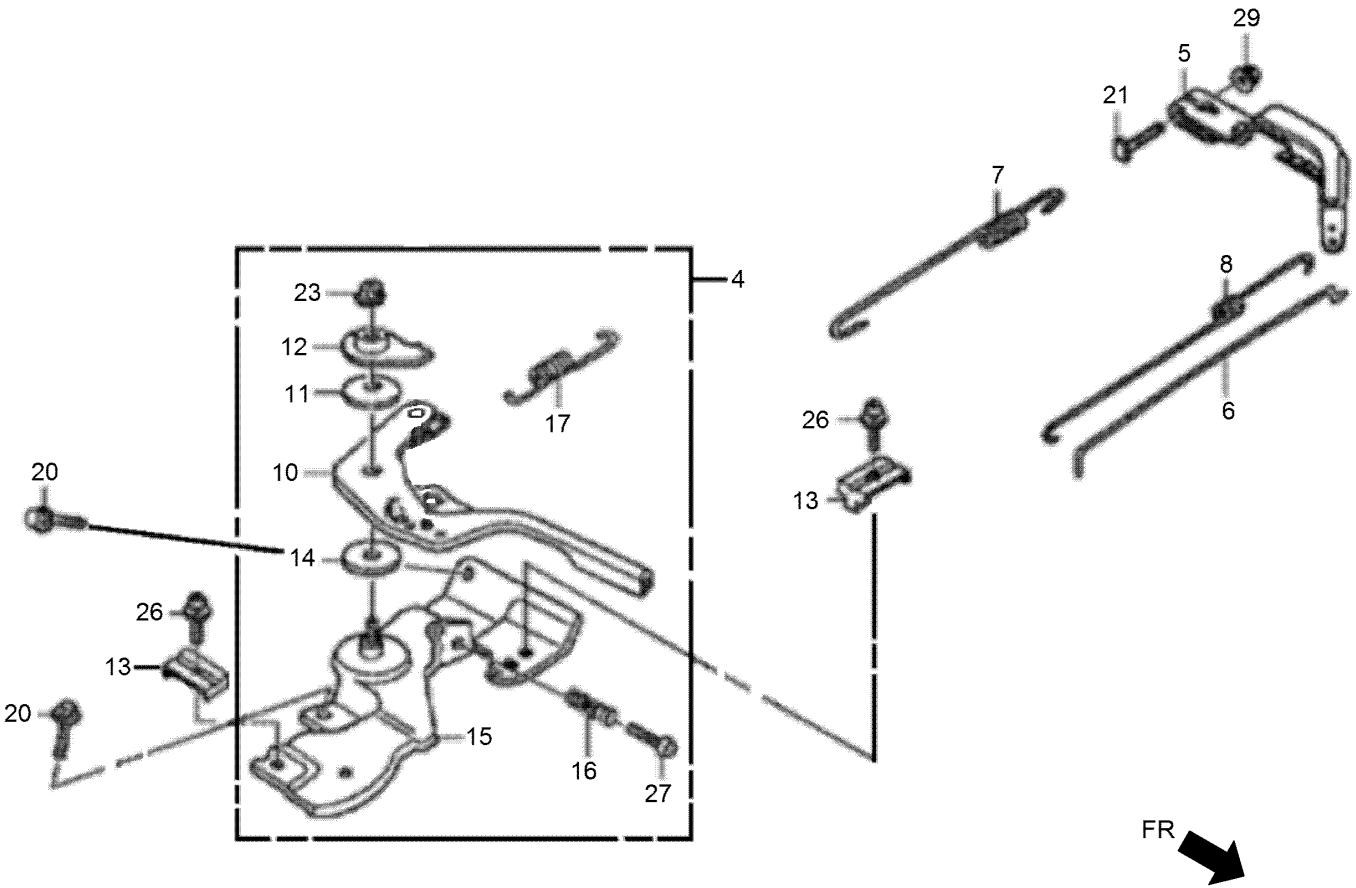
# Ignition Coil Assembly



## Ignition Coil Assembly (continued)

| <i>Ref.</i> | <i>Part Number</i> | <i>Qty.</i> | <i>Description</i>       | <i>Ref.</i> | <i>Part Number</i> | <i>Qty.</i> | <i>Description</i>        |
|-------------|--------------------|-------------|--------------------------|-------------|--------------------|-------------|---------------------------|
| 1           | 138-9149           | 1           | Coil ASM-Ignition (Tec)  | 8           | 140-0250           | 1           | Cord, Stop Switch (370MM) |
| 2           | 132-0515           | 1           | Cap ASM-Noise Suppressor | 9           | 132-0596           | 2           | Bolt-Flange-6X28          |
| 3           | 132-0521           | 1           | Coil ASM-Lamp            | 10          | 132-0604           | 1           | Bolt-Flange-5X10          |
| 4           | 132-0522           | 1           | Clamper-Cord             | 11          | 132-0620           | 2           | Bolt-Flange-6X25          |
| 5           | 132-0523           | 1           | Grommet-Cord             |             |                    |             |                           |

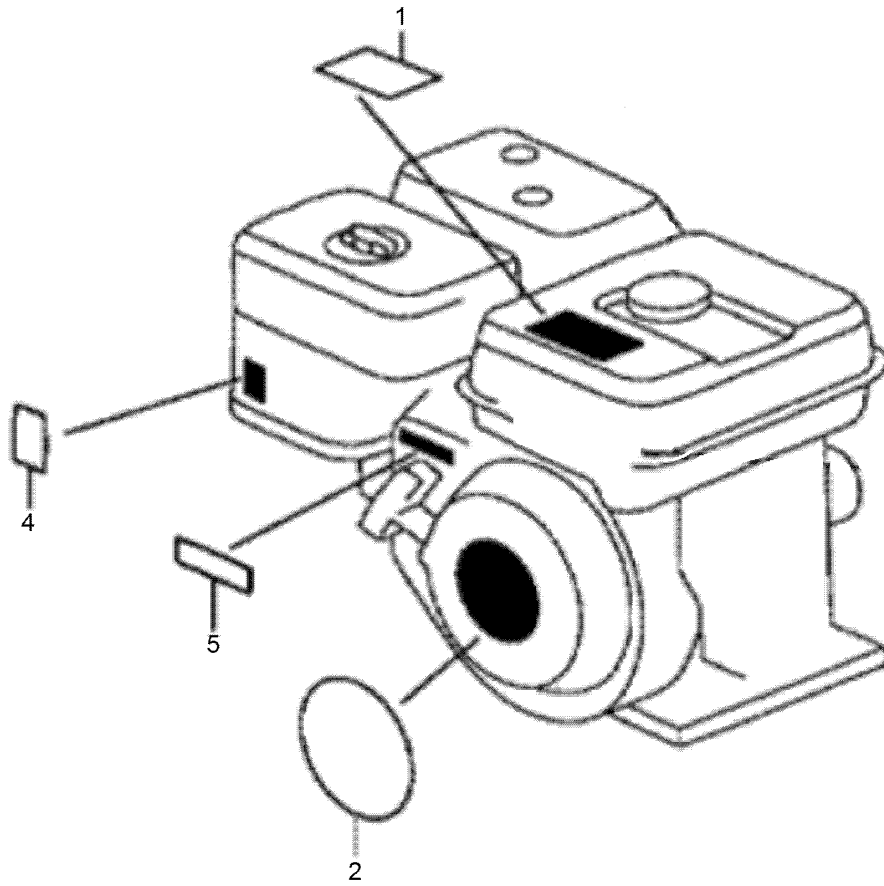
# Control Assembly



## Control Assembly (continued)

| <i>Ref.</i> | <i>Part Number</i> | <i>Qty.</i> | <i>Description</i>     | <i>Ref.</i> | <i>Part Number</i> | <i>Qty.</i> | <i>Description</i>       |
|-------------|--------------------|-------------|------------------------|-------------|--------------------|-------------|--------------------------|
| 4           | 132-0292           | 1           | Control ASM            | 15          | 132-0337           | 1           | Control Base ASM         |
| 5           | 132-0311           | 1           | Arm-Governor           | 16          | 132-0340           | 1           | Spring-Control Adjusting |
| 6           | 132-0316           | 1           | Rod-Governor           | 17          | 132-0341           | 1           | Spring-Cable Return      |
| 7           | 132-0320           | 1           | Spring-Governor        | 20          | 132-4880           | 2           | Bolt-Flange-6X12         |
| 8           | 132-0324           | 1           | Spring-Throttle Return | 21          | 132-0597           | 1           | Bolt-Governor Arm        |
| 10          | 132-0328           | 1           | Lever-Control          | 23          | 132-0619           | 1           | Nut-Self-Lock-6MM        |
| 11          | 132-0329           | 1           | Spring-Lever           | 26          | 132-0678           | 1           | Screw-Pan-5X16           |
| 12          | 132-0330           | 1           | Washer-Control Lever   | 27          | 132-0679           | 1           | Screw-Pan-5X25           |
| 13          | 132-0331           | 1           | Holder-Cable           | 29          | 132-4881           | 1           | Nut-Flange-6MM           |
| 14          | 132-0332           | 1           | Spacer-Control Lever   |             |                    |             |                          |

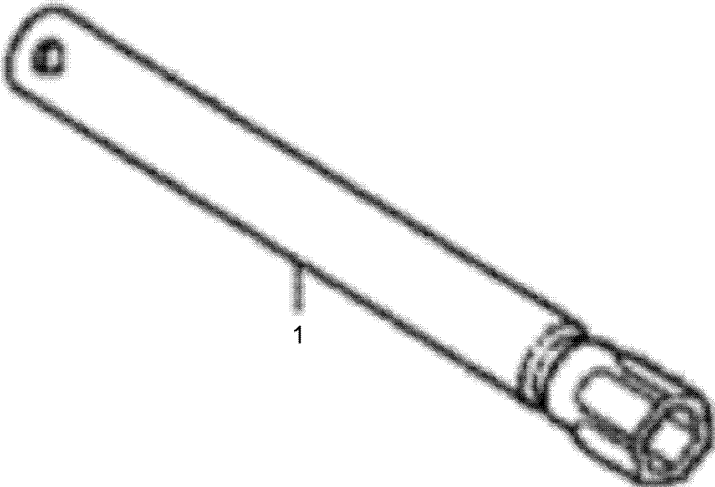
# Label Assembly



## Label Assembly (continued)

| <i>Ref.</i> | <i>Part Number</i> | <i>Qty.</i> | <i>Description</i>    | <i>Ref.</i> | <i>Part Number</i> | <i>Qty.</i> | <i>Description</i>       |
|-------------|--------------------|-------------|-----------------------|-------------|--------------------|-------------|--------------------------|
| 1           | 132-0559           | 1           | Mark-Operator Caution | 4           | 132-0566           | 1           | Mark-Choke               |
| 2           | 132-0561           | 1           | Emblem                | 5           | 132-0567           | 1           | Mark-Throttle Indication |

# Wrench

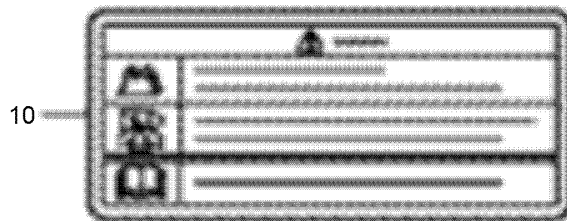
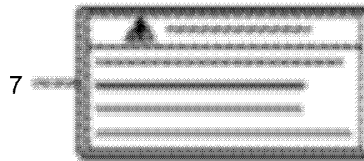




## Wrench (continued)

| <i>Ref.</i> | <i>Part Number</i> | <i>Qty.</i> | <i>Description</i> |
|-------------|--------------------|-------------|--------------------|
| 1           | 132-0572           | 1           | Wrench-Spark Plug  |

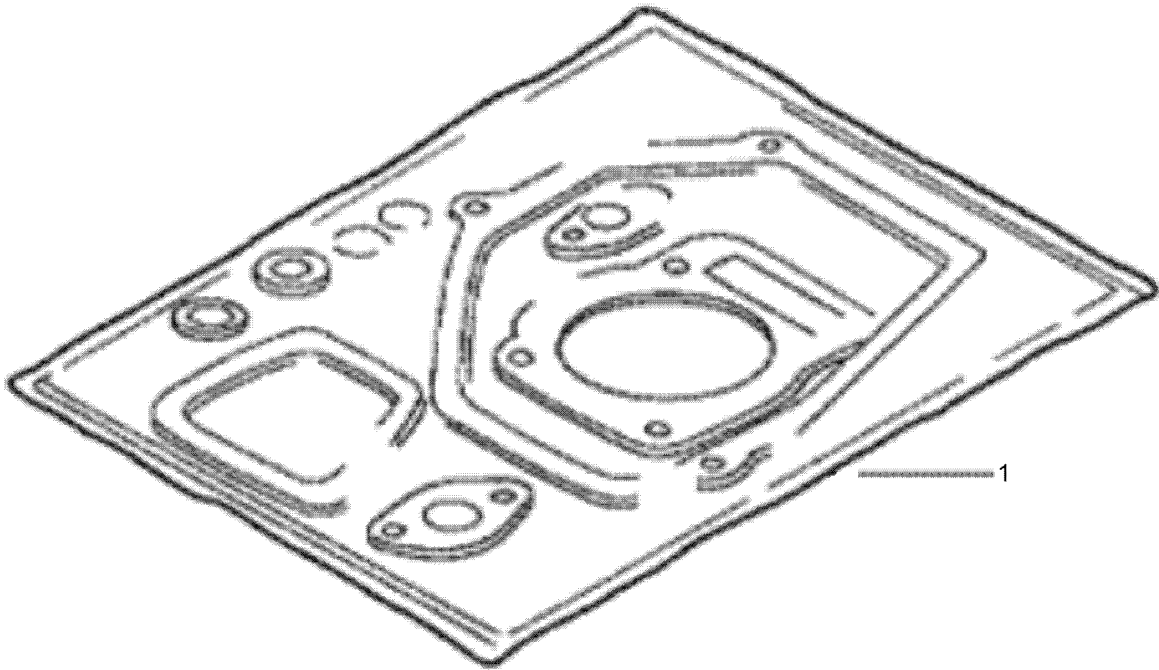
# Decal Assembly



## Decal Assembly (continued)

| <i>Ref.</i> | <i>Part Number</i> | <i>Qty.</i> | <i>Description</i>                 | <i>Ref.</i> | <i>Part Number</i> | <i>Qty.</i> | <i>Description</i>                 |
|-------------|--------------------|-------------|------------------------------------|-------------|--------------------|-------------|------------------------------------|
| 5           | 132-0552           | 1           | Mark-Operator Caution<br>(English) | 7           | 132-0571           | 1           | Mark-Exhaust Caution<br>(French)   |
| 5           | 132-0553           | 1           | Mark-Operator Caution<br>(French)  | 10          | 132-0557           | 1           | Mark-Operator Caution<br>(Chinese) |
| 7           | 132-0570           | 1           | Mark-Exhaust Caution<br>(English)  |             |                    |             |                                    |

# Gasket Kit



## Gasket Kit (continued)

| <i>Ref.</i> | <i>Part Number</i> | <i>Qty.</i> | <i>Description</i> |
|-------------|--------------------|-------------|--------------------|
| 1           | 132-0100           | 1           | Gasket Kit         |

# Attachments and Accessories

## For 44913 GreensPro 1260 Greens Roller

| <b>Product Name</b>                            | <b>Model/Part</b> |
|--|-------------------|
| Filter-Oil, Hyd.....                           | 1-633750          |
| Wireless Hourmeter .....                       | 115-4754          |
| Premium Engine Oil 10w30 (5 Gallon Pail) ..... | 121-6393          |
| PX Hydraulic Fluid (5 Gal) .....               | 133-8086          |

**Notes:**



**Count on it.**