



Count on it.

Parts Catalog

**Powered Twin Bagger
TITAN® Zero-Turn-Radius Riding Mower**

Model No. 79348—Serial No. 400000000 and Up



Ordering Replacement Parts

To order replacement parts, please supply the part number, the quantity, and the description of each part desired.

Understanding Reference Numbers

Each identified part in an illustration has a reference number. The reference number for a part also appears in the parts list, along with other information about the part.

This catalog uses two special reference number formats, one to indicate parts in a service assembly and another to indicate the quantity of a given part in an illustration.

Service Assembly Reference Numbers

Parts in service assemblies have reference numbers in the form a:b. The a represents the reference number of the entire service assembly and the b represents a sequential number unique to each part within the service assembly.

For example, a wheel assembly might be identified by reference number 6, the tire by 6:1, the valve by 6:2, and the wheel by 6:3. When you order the assembly identified by reference number 6, you receive all parts identified by reference numbers 6:1, 6:2, and 6:3. However, you may also order any part individually. Reference numbers of this type appear in illustration and in parts lists.

Reference Numbers Indicating Quantity

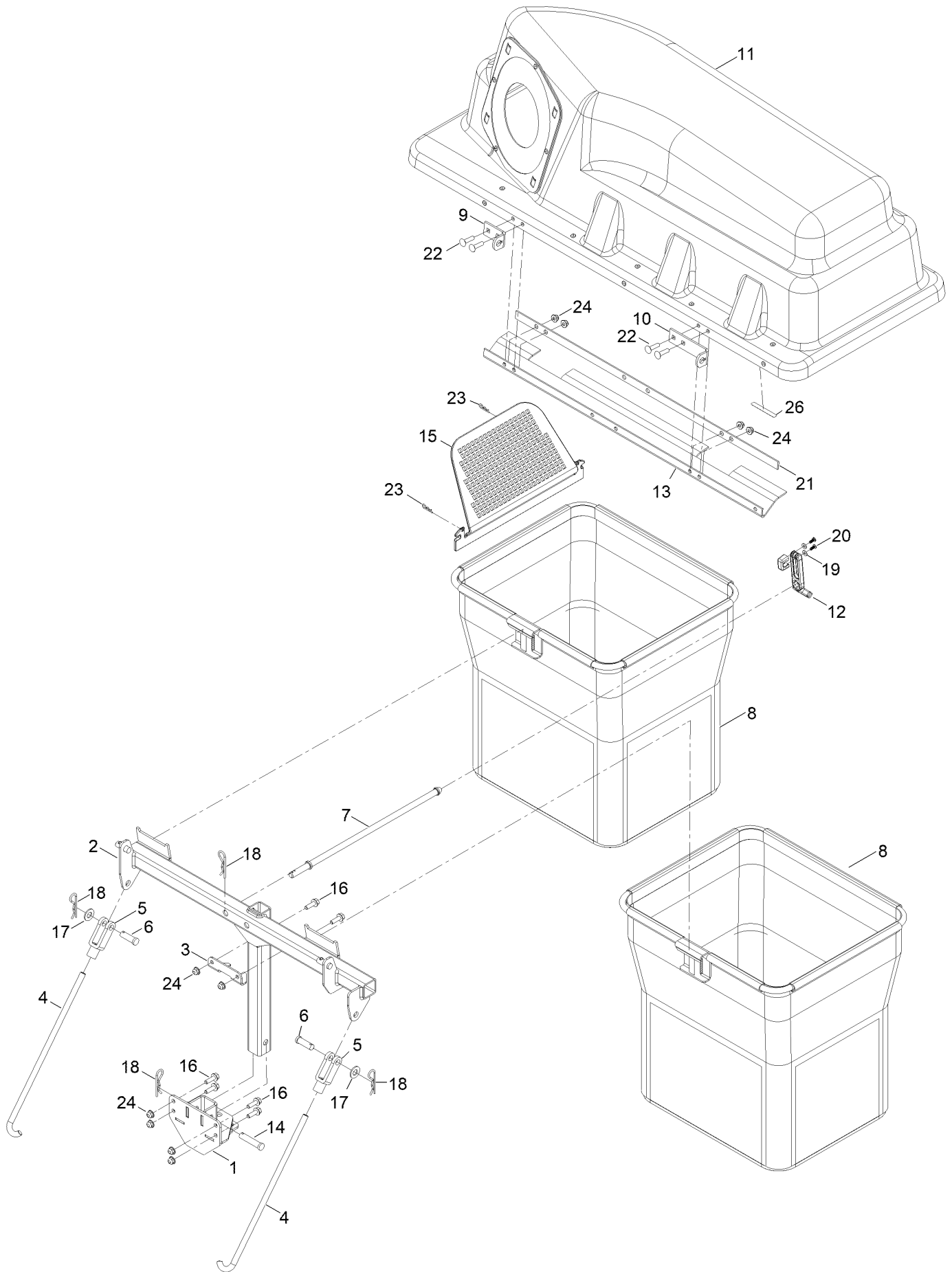
In an illustration, if a reference number indicates more than one part, the reference number has the form nX y. The n represents the quantity of the part, the X is the multiplication symbol, and the y represents the reference number.

For example, in an illustration, the reference number 2X 37 means that two of the parts identified by reference number 37 are indicated.

Contents

- Bagger Assembly 4
- Bag and Frame Assembly No. 161-6239 6
- Bagger Hood Assembly No. 140-5031 8
- Blower and Tube Assembly 10
- Blower Assembly No. 140-5032 12
- Weight Assembly 14

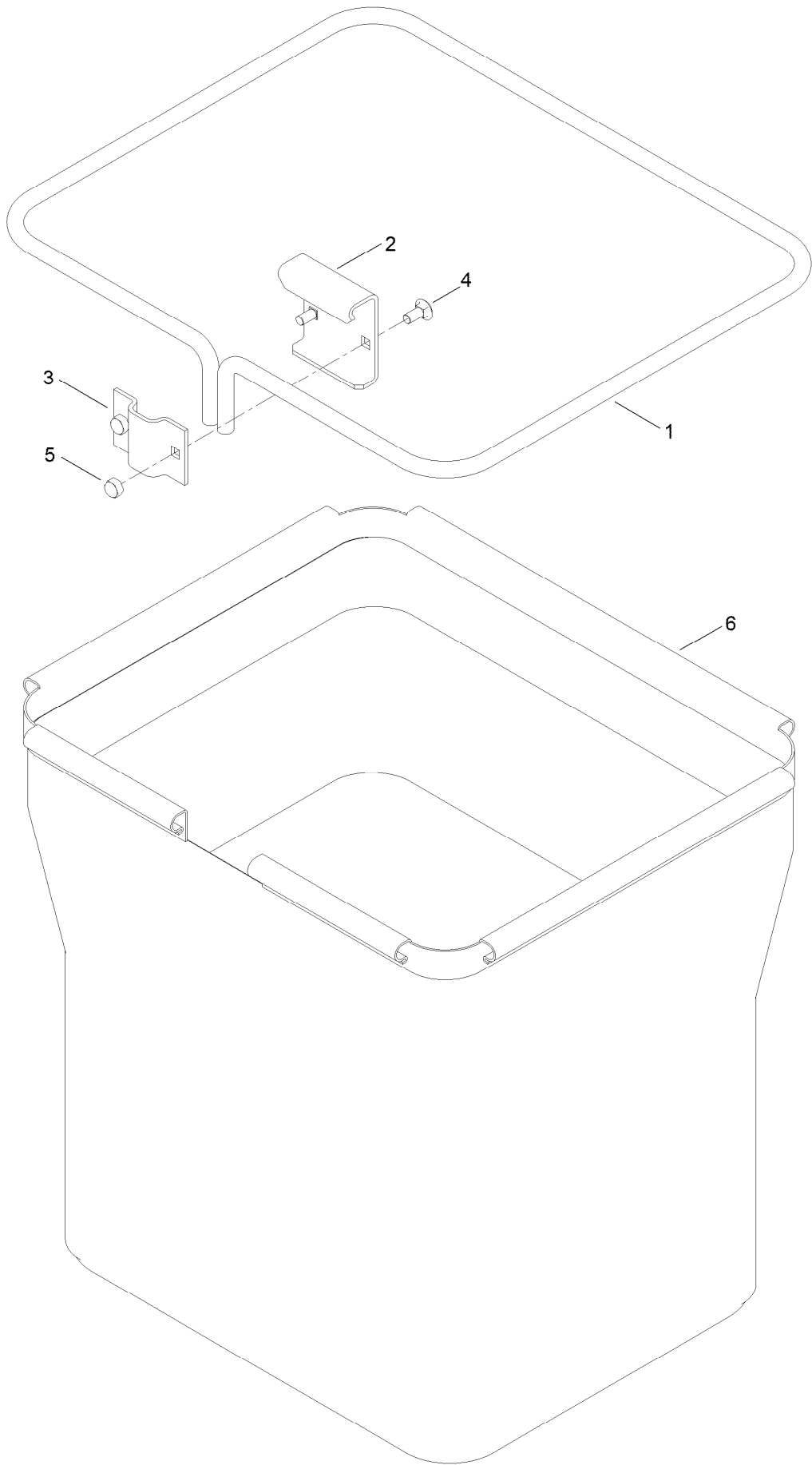
Bagger Assembly



Bagger Assembly (continued)

<i>Ref.</i>	<i>Part Number</i>	<i>Qty.</i>	<i>Description</i>	<i>Ref.</i>	<i>Part Number</i>	<i>Qty.</i>	<i>Description</i>
1	147-8803-03	1	Mount-Bagger [black]	14	92-2739	1	Pin-Clevis
2	161-4501-03	1	Frame-Bagger [black]	15	112-3993	1	Screen-Bagger
3	147-8831-03	1	Plate-Bagger Stabilizer	16	139-2596	6	Screw-HHF
4	161-4480	2	Rod-Bagger Support	17	139-2611	2	Washer-Flat
5	100-7338	2	Clevis	18	139-2562	4	Pin-Hair
6	283-68	2	Pin-Clevis	19	137-3073	2	Washer-Plain
7	131-4189	1	Rod-Hood, Down	20	137-9137	2	Screw-PPH
8	161-6239	2	Bag ASM	21	116-4127-03	1	Plate-Backing
9	140-5016	1	Bracket-Hopper Pivot	22	139-1702	4	Bolt-Carriage
10	147-5327	1	Bracket-Hopper Pivot	23	137-3083	2	Pin-Hair
11	140-5031	1	Bagger Hood ASM	24	119-4041	10	Nut-HF
12	116-4992	1	Latch-Rubber	26	133-8061	1	Decal-Warning
13	116-4126	1	Seal				

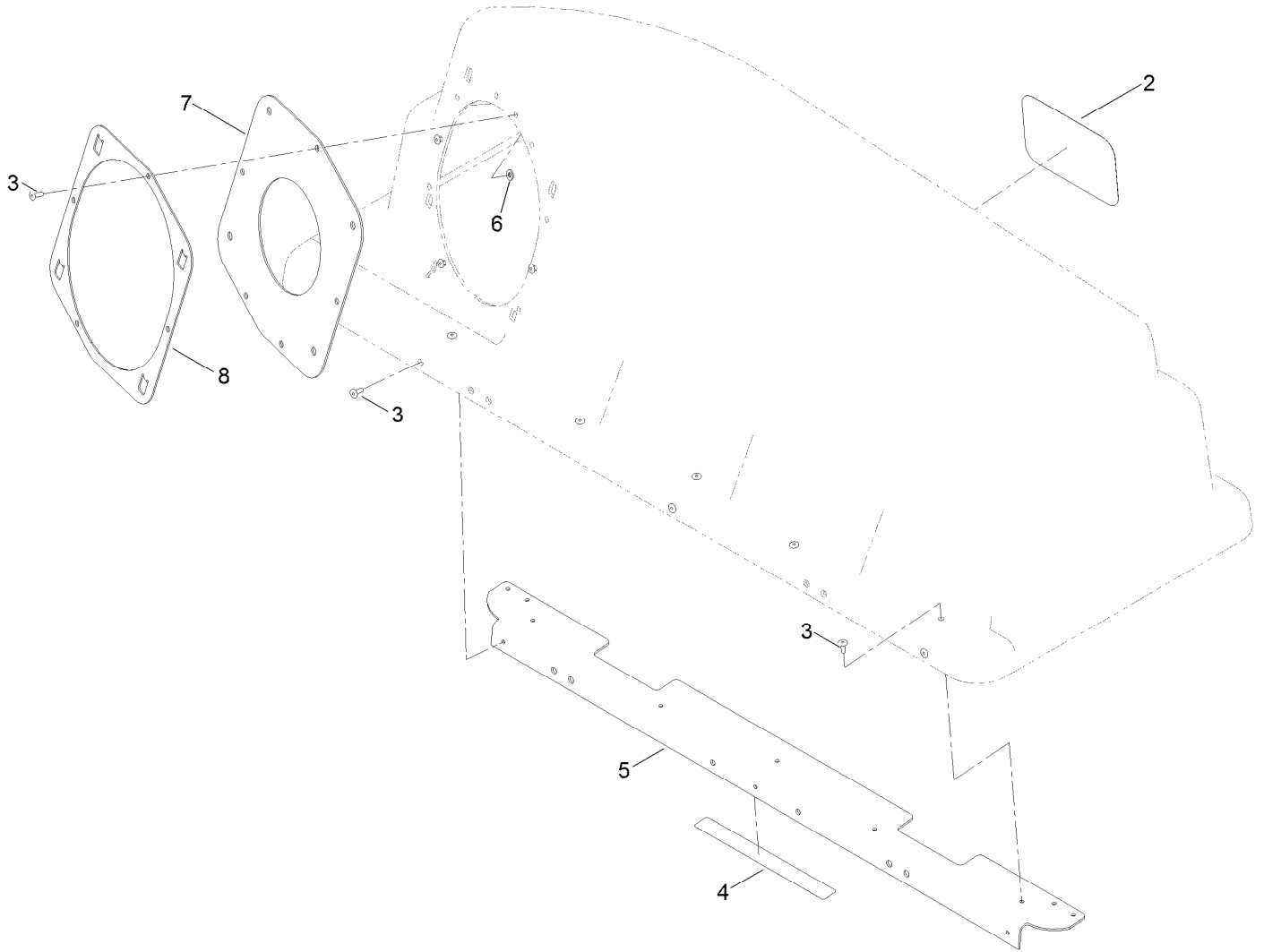
Bag and Frame Assembly No. 161-6239



Bag and Frame Assembly No. 161-6239 (continued)

<i>Ref.</i>	<i>Part Number</i>	<i>Qty.</i>	<i>Description</i>	<i>Ref.</i>	<i>Part Number</i>	<i>Qty.</i>	<i>Description</i>
1	114972-03	1	Frame-Bag	4	139-2630	2	Bolt-CARR
2	114973-03	1	Hanger-Bag	5	119-4038	2	Nut-Hex
3	114974-03	1	Clamp	6	140-5192	1	Bag ASM 20In Depth

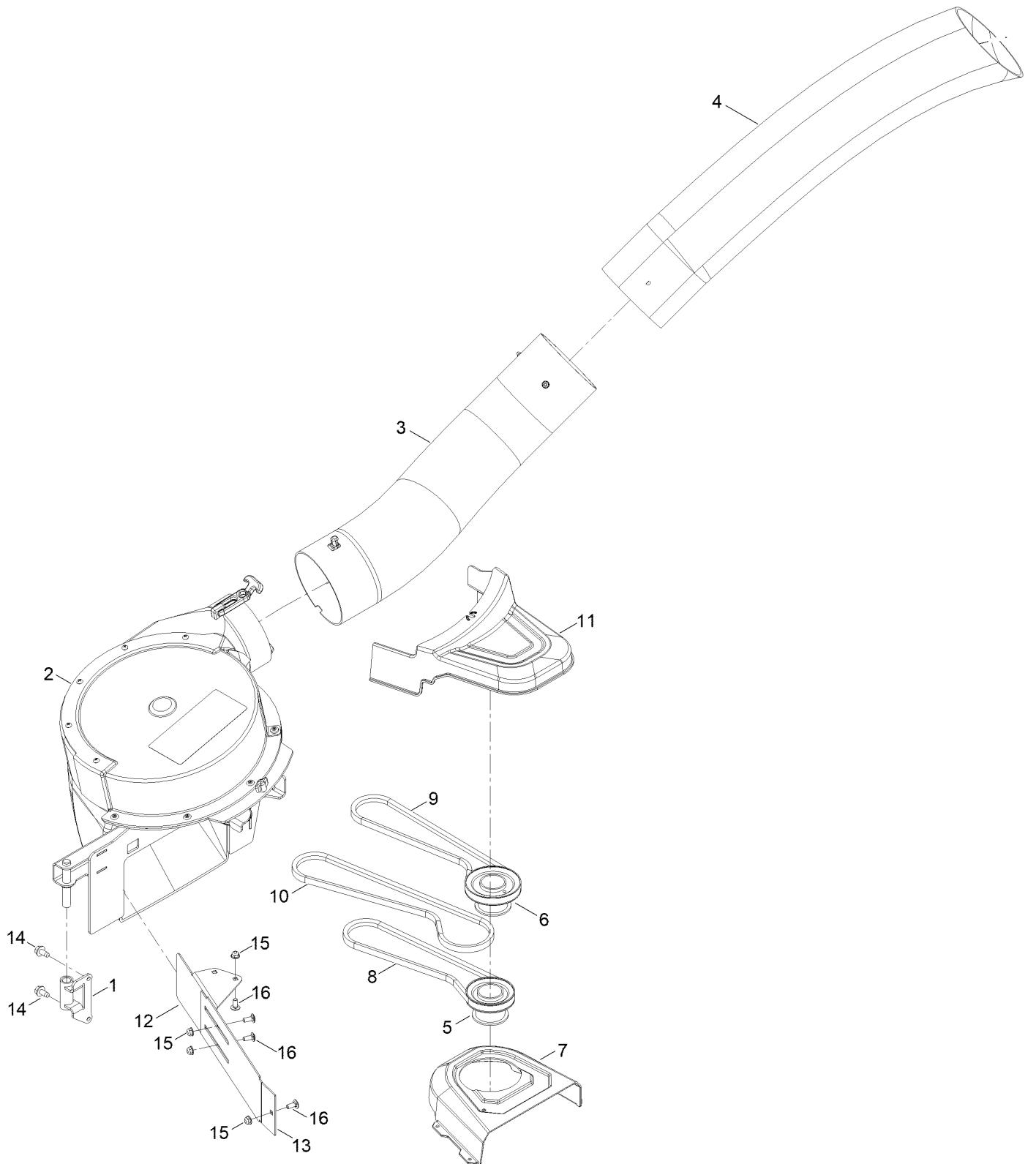
Bagger Hood Assembly No. 140-5031



Bagger Hood Assembly No. 140-5031 (continued)

<i>Ref.</i>	<i>Part Number</i>	<i>Qty.</i>	<i>Description</i>	<i>Ref.</i>	<i>Part Number</i>	<i>Qty.</i>	<i>Description</i>
2	99-4693	1	Decal	6	137-3073	4	Washer-Plain
3	114439	12	Rivet-Blind	7	116-4478	1	Gasket
4	109-6809	1	Decal-Caution, Bagger	8	112-4000-03	1	Ring-Retainer
5	116-5071-03	1	Stiffener-Bagger, Top				

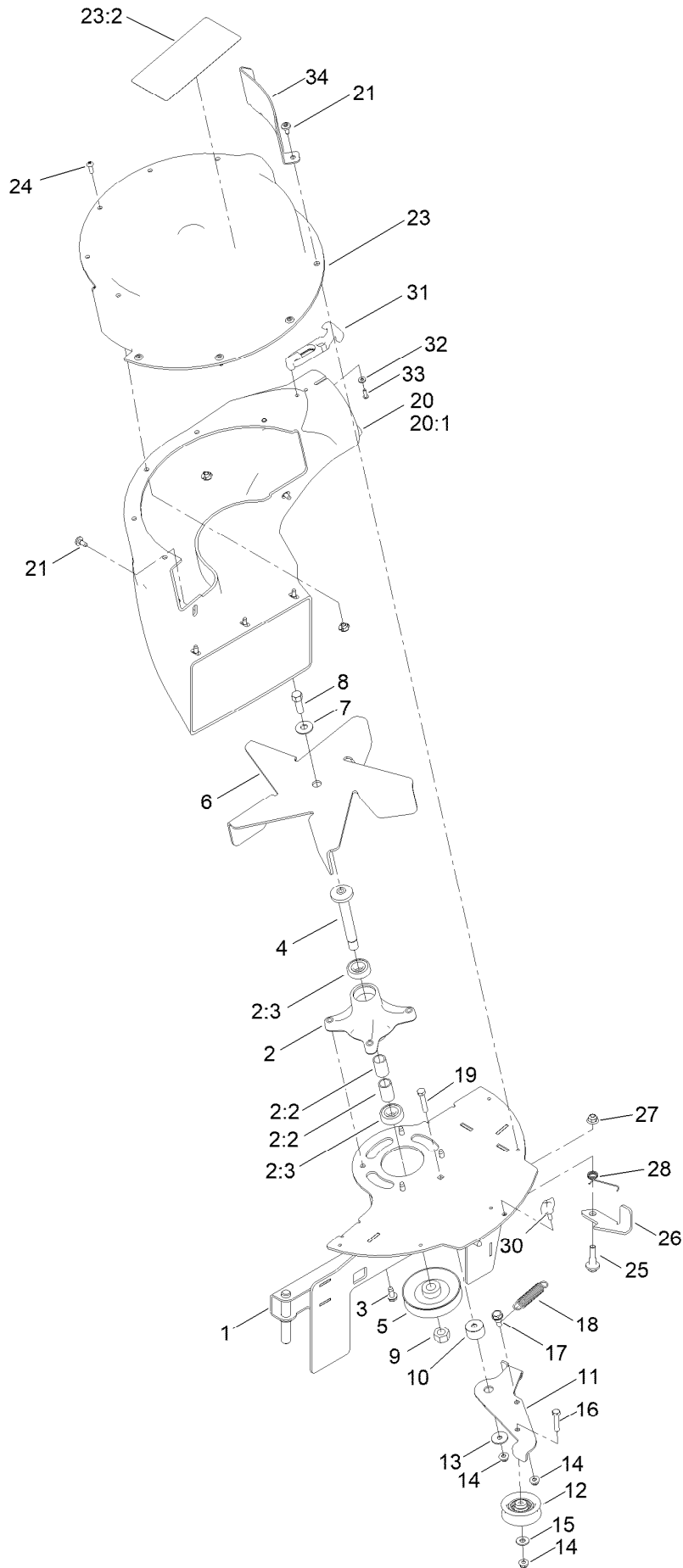
Blower and Tube Assembly



Blower and Tube Assembly (continued)

<i>Ref.</i>	<i>Part Number</i>	<i>Qty.</i>	<i>Description</i>	<i>Ref.</i>	<i>Part Number</i>	<i>Qty.</i>	<i>Description</i>
1	136-4152	1	Pivot-Blower	9	127-0075	1	Belt-V
2	140-5032	1	Blower ASM - Powered Bagger	10	127-0076	1	Belt-V
3	140-5030	1	Tube ASM-Lower	11	136-4172	1	Cover-Bagger, Powered
4	161-6302	1	Tube ASM-Upper	12	133-7022-03	1	Baffle-Outer
5	125-0085	1	Pulley-Bagger	13	133-7021-03	1	Baffle-Inner
6	125-0086	1	Pulley-Bagger	14	110-9380	2	Screw-HWH
7	136-4151	1	Cover-Belt, RH	15	119-4041	4	Nut-HF
8	127-0074	1	Belt-V	16	137-3061	4	Bolt-CARR

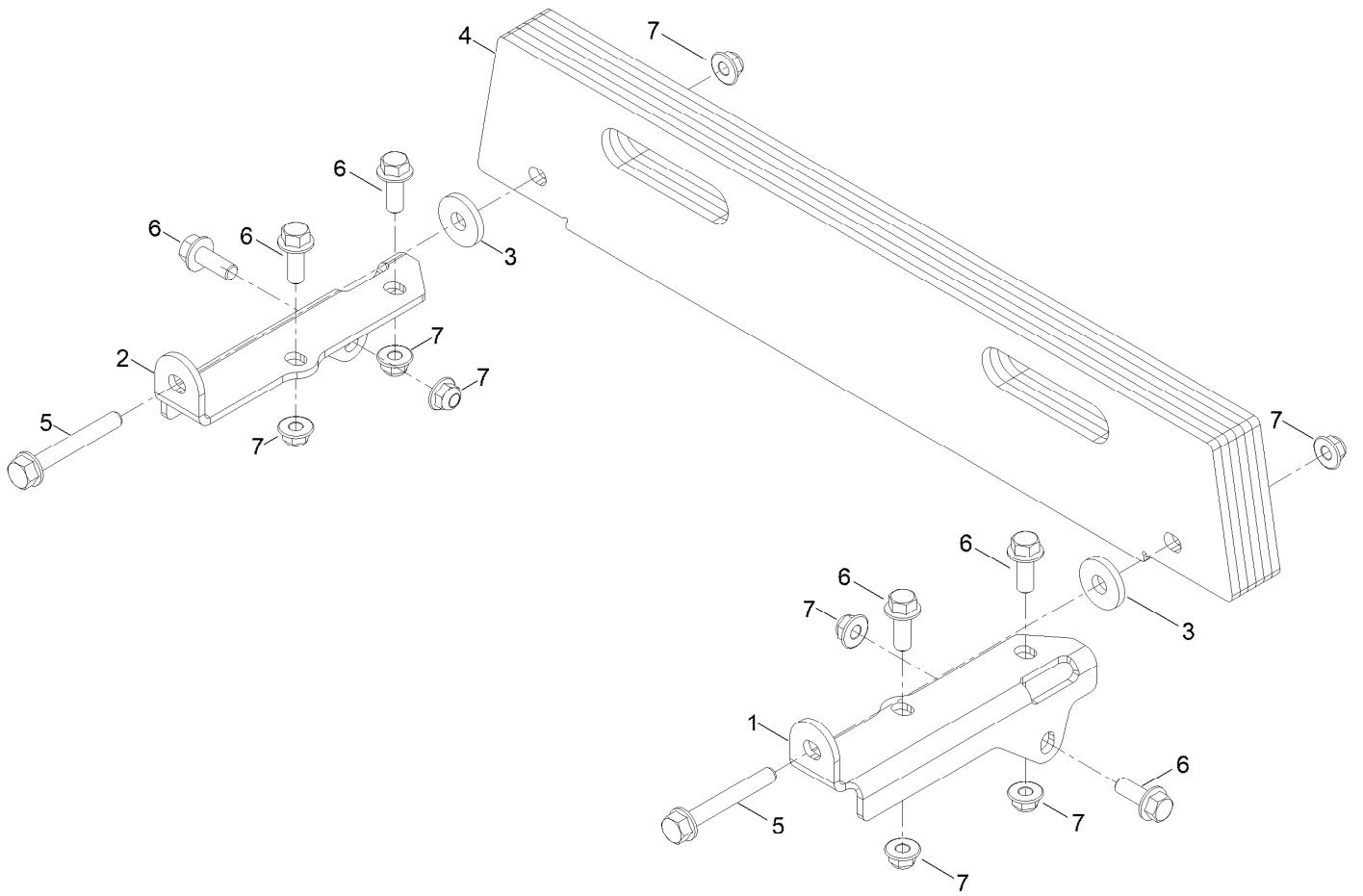
Blower Assembly No. 140-5032



Blower Assembly No. 140-5032 (continued)

<i>Ref.</i>	<i>Part Number</i>	<i>Qty.</i>	<i>Description</i>	<i>Ref.</i>	<i>Part Number</i>	<i>Qty.</i>	<i>Description</i>
1	133-9287-03	1	Frame-Blower	17	140-5020	1	Bolt Shoulder
2	139-3214	1	Spindle ASM	18	137-7040	1	Spring-Return, Pedal
2:2	120-7935	2	Spacer	19	139-1719	1	Screw-HH
2:3	138-9770	2	Bearing-Ball	20	137-5004	1	Blower Chute ASM
3	32144-70	4	Screw-HWHTF	20:1	136-7514	1	Chute-Blower
4	137-7009	1	Shaft-Spindle	21	120-7950	10	Screw-Torx
5	133-4492	1	Pulley-Blower	23	137-5003	1	Blower Cover ASM
6	133-4336	1	Fan-Blower	23:2	136-4164	1	Decal-Danger
7	3290-465	1	Washer-Belleville	24	3258-166	5	Screw-PRH
8	108-8823	1	Screw-HH	25	130-0742	1	Bolt-Shoulder
9	3219-16	1	Nut-Hex	26	133-7058	1	Latch-Blower
10	140-5015	1	Spacer-Idler Arm	27	119-4042	1	Nut-HF, NI
11	140-5019	1	Idler Arm, Blower	28	133-7048	1	Spring-Torsion
12	138-7597	1	Pulley-Idler, Flat	30	98-8332	1	Knob
13	5-4460	1	Washer-Pivot	31	103-4080	2	Latch-Rubber
14	119-4041	3	Nut-HF	32	137-3073	4	Washer-Plain
15	139-1723	1	Washer-Flat	33	3274-39	4	Screw-HSBH
16	120-2779	1	Screw-HH	34	136-9213-03	1	Guard-Blower

Weight Assembly



Weight Assembly (continued)

<i>Ref.</i>	<i>Part Number</i>	<i>Qty.</i>	<i>Description</i>	<i>Ref.</i>	<i>Part Number</i>	<i>Qty.</i>	<i>Description</i>
1	147-7590-03	1	Bracket-Weight Titan [black]	5	140-5097	2	Screw-Spcl
2	147-7591-03	1	Bracket-Weight Titan [black]	6	139-2597	6	Screw-HHF
3	87-5330	2	Washer	7	119-4042	8	Nut-HF, NI
4	147-7582-03	6	Weight-Bagger				



Count on it.