



EN TimeCutter® 34in or 42in Riding Mower

77301, 77404

ES Cortacésped de asiento TimeCutter® de 86 cm o 107 cm (34" o 42")

77301, 77404

FR Tondeuse autoportée TimeCutter® de 86 cm ou 107 cm (34 po ou 42 po)

77301, 77404





Count on it.

Operator's Manual

TimeCutter® 34in or 42in Riding Mower

Model No. 77301—Serial No. 40000000 and Up

Model No. 77404—Serial No. 40000000 and Up



It is a violation of California Public Resource Code Section 4442 or 4443 to use or operate the engine on any forest-covered, brush-covered, or grass-covered land unless the engine is equipped with a spark arrester, as defined in Section 4442, maintained in effective working order or the engine is constructed, equipped, and maintained for the prevention of fire.

Gross or Net Torque: The gross or net torque of this engine was laboratory rated by the engine manufacturer in accordance with the Society of Automotive Engineers (SAE) J1940 or J2723. As configured to meet safety, emission, and operating requirements, the actual engine torque on this class of mower will be significantly lower. Please refer to the engine manufacturer's information included with the machine.

The enclosed engine owner's manual is supplied for information regarding the US Environmental Protection Agency (EPA) and the California Emission Control Regulation of emission systems, maintenance, and warranty. Replacements may be ordered through the engine manufacturer.

⚠ WARNING

**CALIFORNIA
Proposition 65 Warning**

The engine exhaust from this product contains chemicals known to the State of California to cause cancer, birth defects, or other reproductive harm.

Battery posts, terminals, and related accessories contain lead and lead compounds, chemicals known to the State of California to cause cancer and reproductive harm. Wash hands after handling.

Use of this product may cause exposure to chemicals known to the State of California to cause cancer, birth defects, or other reproductive harm.

Introduction

This rotary-blade, riding lawn mower is intended to be used by homeowners in residential applications. It is designed primarily for cutting grass on well-maintained lawns. Using this product for purposes other than its intended use could prove dangerous to you and bystanders.

Read this information carefully to learn how to operate and maintain your product properly and to avoid injury and product damage. You are responsible for operating the product properly and safely.

Visit www.Toro.com for product safety and operation training materials, accessory information, help finding a dealer, or to register your product.

Whenever you need service, genuine Toro parts, or additional information, contact an Authorized Service Dealer or Toro Customer Service and have the model and serial numbers of your product ready. **Figure 1** identifies the location of the model and serial numbers on the product. Write the numbers in the space provided.

Important: With your mobile device, you can scan the QR code on the serial number decal (if equipped) to access warranty, parts, and other product information.

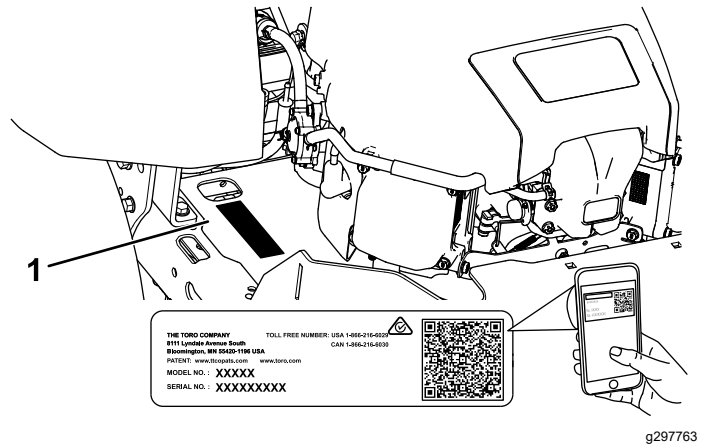


Figure 1
Under the seat

1. Model and serial number location

Write the product model and serial numbers in the space below:

Model No. _____

Serial No. _____

This manual uses 2 words to highlight information. **Important** calls attention to special mechanical information and **Note** emphasizes general information worthy of special attention.

The safety-alert symbol (**Figure 2**) appears both in this manual and on the machine to identify important safety messages that you must follow to avoid accidents. This symbol will appear with the word **Danger, Warning, or Caution.**

- **Danger** indicates an imminently hazardous situation which, if not avoided, **will** result in death or serious injury.
- **Warning** indicates a potentially hazardous situation which, if not avoided, **could** result in death or serious injury.
- **Caution** indicates a potentially hazardous situation which, if not avoided, **may** result in minor or moderate injury.



Figure 2

sa-black

1. Safety-alert symbol

Transporting the Machine	26
Maintenance	28
Maintenance Safety	28
Recommended Maintenance Schedule(s)	28
Pre-Maintenance Procedures	29
Raising the Machine	29
Lubrication	29
Greasing the Bearings	29
Engine Maintenance	30
Engine Safety	30
Servicing the Air Cleaner	30
Servicing the Engine Oil	31
Servicing the Spark Plug	33
Cleaning the Cooling System	34
Fuel System Maintenance	34
Replacing the In-Line Fuel Filter	34
Electrical System Maintenance	35
Electrical System Safety	35
Servicing the Battery	35
Servicing the Fuses	37
Drive System Maintenance	37
Checking the Tire Pressure	37
Releasing the Electric Brake	38
Adjusting the Tracking	38
Belt Maintenance	39
Inspecting the Belts	39
Replacing the Mower Belt	39
Mower Maintenance	40
Blade Safety	40
Servicing the Cutting Blades	40
Leveling the Mower Deck	42
Removing the Mower Deck	44
Installing the Mower Deck	45
Replacing the Grass Deflector	45
Cleaning	47
Washing the Underside of the Mower Deck	47
Disposing of Waste	47
Storage	48
Storage Safety	48
Cleaning and Storage	48
Storing the Battery	49
Troubleshooting	50
Schematics	52

Contents

Safety	4
General Safety	4
Slope Indicator	5
Safety and Instructional Decals	6
Product Overview	10
Controls	11
Specifications	12
Attachments/Accessories	12
Before Operation	12
Before Operation Safety	12
Adding Fuel	13
Performing Daily Maintenance	14
Breaking in a New Machine	14
Using the Safety-Interlock System	14
Positioning the Seat	15
Adjusting the Motion-Control Levers	15
During Operation	15
During Operation Safety	15
Operating the Mower Blade-Control Switch (PTO)	18
Operating the Throttle	18
Operating the Choke	18
Starting the Engine	19
Shutting Off the Engine	19
Using the Motion-Control Levers	20
Driving the Machine	20
Using the Smart Speed™ Control System	21
Using the Side Discharge	22
Adjusting the Height of Cut	22
Adjusting the Anti-Scalp Rollers	23
Operating Tips	23
After Operation	24
After Operation Safety	24
Cleaning the Machine	24
Pushing the Machine by Hand	25

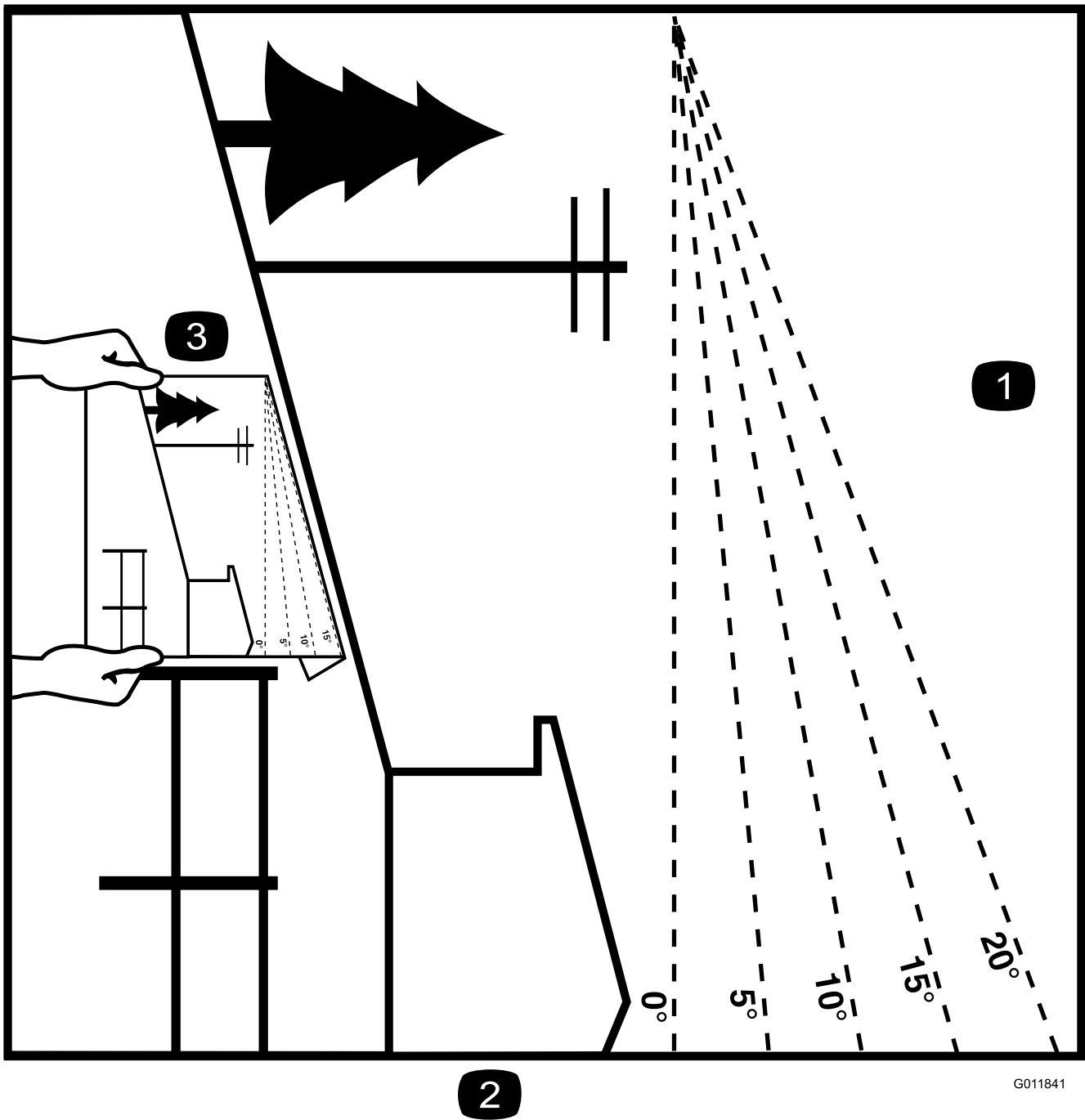
Safety

General Safety

This product is capable of amputating hands and feet and of throwing objects. Always follow all safety instructions to avoid serious personal injury or death.

- Read and understand the contents of this *Operator's Manual* before starting the engine.
- Keep bystanders and children away.
- Do not allow children or untrained people to operate or service the machine. Allow only people who are responsible, trained, familiar with the instructions, and physically capable to operate or service the machine.
- Do not operate the machine near drop-offs, ditches, embankments, water, or other hazards, or on slopes greater than 15°.
- Do not put your hands or feet near moving components of the machine.
- Do not operate the machine without all guards, safety switches, and other safety protective devices in place and functioning properly.
- Shut off the engine, remove the key, and wait for all moving parts to stop before leaving the operator's position. Allow the machine to cool before servicing, adjusting, fueling, cleaning, or storing it.

Slope Indicator



G011841

g011841

Figure 3

You may copy this page for personal use.

1. The maximum slope you can operate the machine on is **15 degrees**. Use the slope chart to determine the degree of slope of hills before operating. **Do not operate this machine on a slope greater than 15 degrees**. Fold along the appropriate line to match the recommended slope.
2. Align this edge with a vertical surface, a tree, building, fence pole, etc.
3. Example of how to compare slope with folded edge

Safety and Instructional Decals



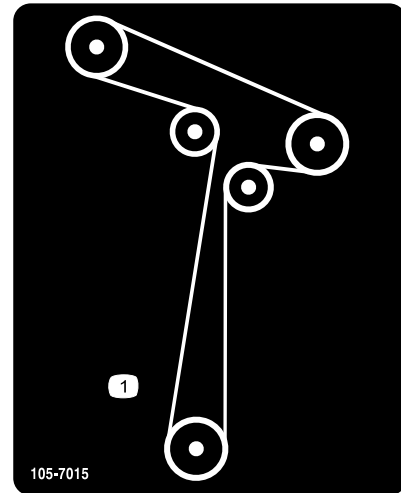
Safety decals and instructions are easily visible to the operator and are located near any area of potential danger. Replace any decal that is damaged or missing.



Battery Symbols

Some or all of these symbols are on your battery.

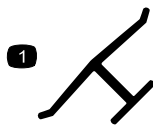
- | | |
|--|---|
| 1. Explosion hazard | 6. Keep bystanders away from the battery. |
| 2. No fire, open flame, or smoking | 7. Wear eye protection; explosive gases can cause blindness and other injuries. |
| 3. Caustic liquid/chemical burn hazard | 8. Battery acid can cause blindness or severe burns. |
| 4. Wear eye protection. | 9. Flush eyes immediately with water and get medical help fast. |
| 5. Read the <i>Operator's Manual</i> . | 10. Contains lead; do not discard |



105-7015

decal105-7015

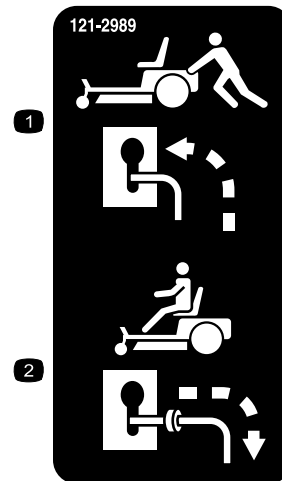
1. Belt routing



Manufacturer's Mark

decaloemarkt

1. This mark indicates that the blade is identified as a part from the original machine manufacturer.



121-2989

decal121-2989b

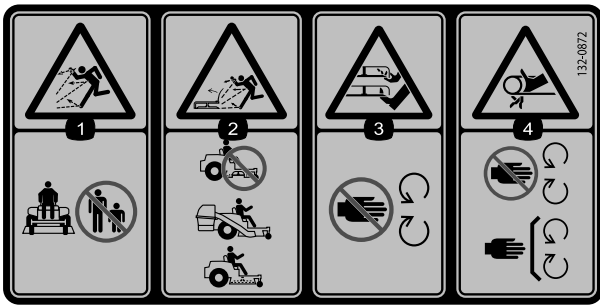
1. Bypass lever position for pushing the machine
2. Bypass lever position for operating the machine



130-0731

decal130-0731

1. Warning—thrown object hazard; keep the deflector shield in place.
2. Cutting hazard of hand or foot, mower blade—keep away from moving parts.

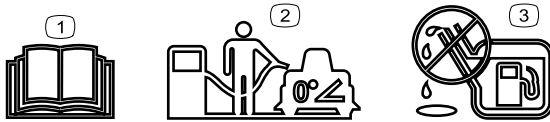


decal132-0872

132-0872

- | | |
|--|--|
| <ol style="list-style-type: none"> 1. Thrown object hazard—keep bystanders away from the machine. 2. Thrown object hazard, raised deflector—do not operate the machine with an open deck; use a bagger or a deflector. | <ol style="list-style-type: none"> 3. Severing hazard of hand or foot—keep away from moving parts. 4. Entanglement hazard—keep away from moving parts; keep all guards and shields in place. |
|--|--|

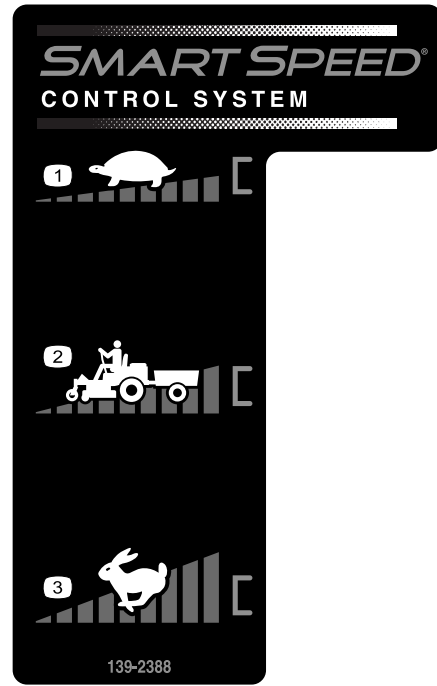
Decal 138-6074 is molded into the fuel tank.



decal138-2456

138-6074

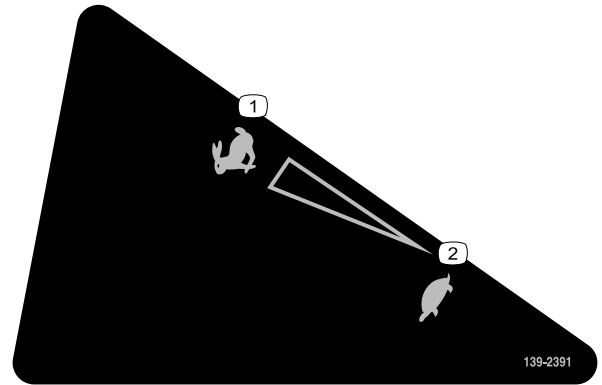
- | | |
|---|---|
| <ol style="list-style-type: none"> 1. Read the <i>Operator's Manual</i>. 2. Park the machine on a level surface when filling the fuel tank. | <ol style="list-style-type: none"> 3. Do not overfill the fuel tank. |
|---|---|



decal139-2388

139-2388

- | | |
|---|---|
| <ol style="list-style-type: none"> 1. Slow 2. Hauling | <ol style="list-style-type: none"> 3. Fast |
|---|---|



139-2391

decal139-2391

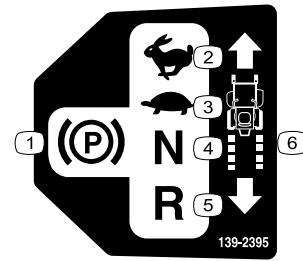
139-2391

- | | |
|---|---|
| <ol style="list-style-type: none"> 1. Fast | <ol style="list-style-type: none"> 2. Slow |
|---|---|



139-2392

decal139-2392



139-2395

decal139-2395

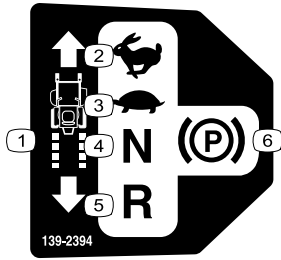
- | | |
|------------------|----------------------|
| 1. Parking brake | 4. Neutral |
| 2. Fast | 5. Reverse |
| 3. Slow | 6. Traction controls |

⚠ WARNING: Cancer and Reproductive Harm - www.P65Warnings.ca.gov.
 For more information, please visit www.ttcoCAProp65.com
CALIFORNIA SPARK ARRESTER WARNING
 Operation of this equipment may create sparks that can start fires around dry vegetation. A spark arrester may be required. The operator should contact local fire agencies for laws or regulations relating to fire prevention requirements.

142-5864

142-5864

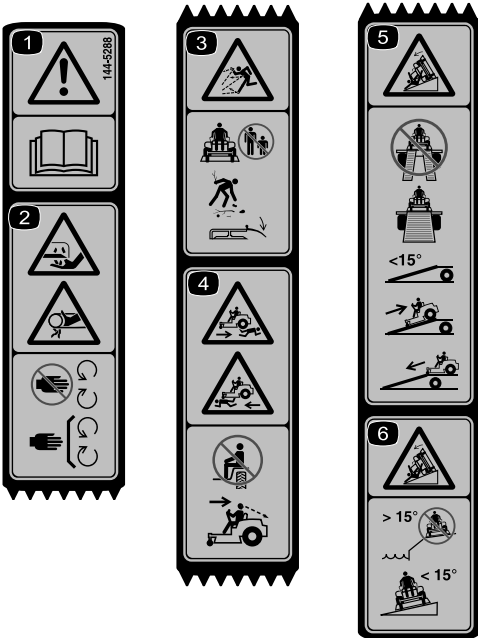
decal142-5864



139-2394

decal139-2394

- | | |
|----------------------|------------------|
| 1. Traction controls | 4. Neutral |
| 2. Fast | 5. Reverse |
| 3. Slow | 6. Parking brake |



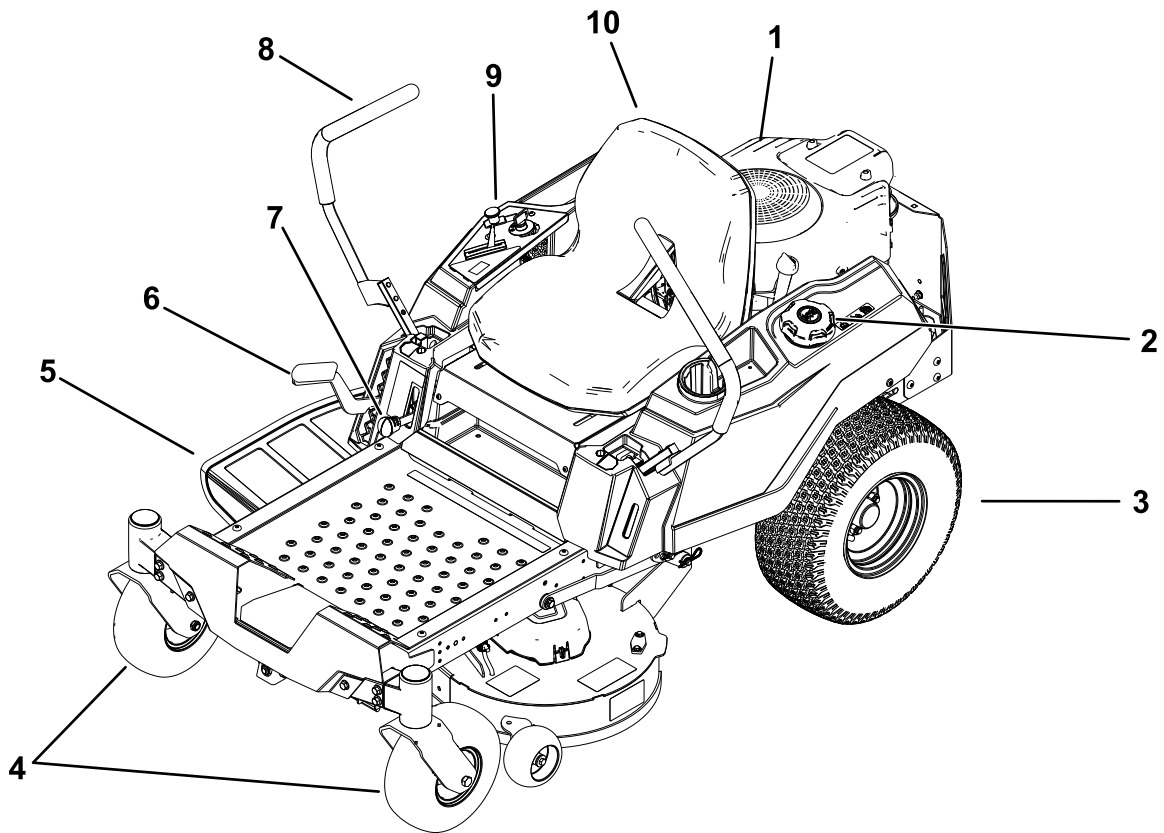
decal144-5288

144-5288

Note: This machine complies with the industry standard stability test in the static lateral and longitudinal tests with the maximum recommended slope indicated on the decal. Review the instructions for operating the machine on slopes in the *Operator's Manual* as well as the conditions in which you would operate the machine to determine whether you can operate the machine in the conditions on that day and at that site. Changes in the terrain can result in a change in slope operation for the machine.

- | | |
|--|---|
| <p>1. Warning—read the <i>Operator's Manual</i>.</p> | <p>4. Runover hazard—do not carry passengers; look behind you when moving in reverse.</p> |
| <p>2. Cutting/dismemberment hazard of the fingers or hand—keep hands away from moving parts; keep all guards and shields in place.</p> | <p>5. Tipping hazard—when loading onto a trailer, do not use dual ramps; only use a singular ramp wide enough for the machine; do not use a ramp with a slope greater than 15°; back up the ramp (in reverse) and drive forward off the ramp.</p> |
| <p>3. Thrown object hazard—keep bystanders away; pick up any debris; keep the deflector in place.</p> | <p>6. Tipping hazard—do not use the machine near drop-offs or on slopes greater than 15°; only operate across slopes less than 15°.</p> |

Product Overview



g447479

Figure 4

- | | | | |
|---------------------|------------------------|--------------------------|-------------------|
| 1. Engine | 4. Front caster wheels | 7. Smart Speed™ lever | 10. Operator seat |
| 2. Fuel-tank cap | 5. Deflector | 8. Motion-control levers | |
| 3. Rear drive wheel | 6. Height-of-cut lever | 9. Control panel | |

Controls

Become familiar with all the controls before you start the engine and operate the machine.

Control Panel

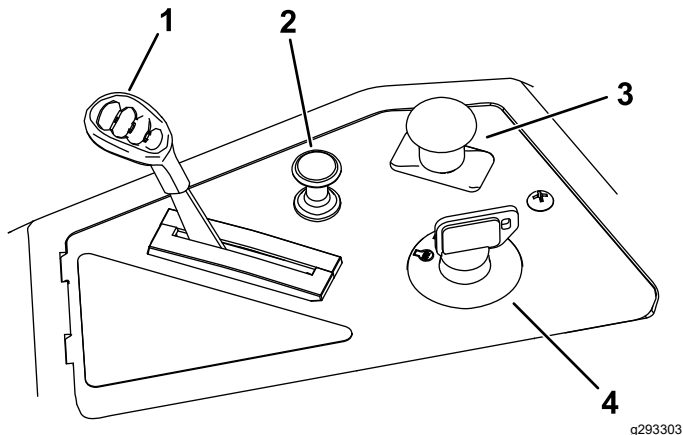


Figure 5

g293303

- | | |
|---------------------|---|
| 1. Throttle control | 3. Blade-control switch (power takeoff) |
| 2. Choke control | 4. Key switch |

Key Switch

The key switch, used to start and shut off the engine, has 3 positions: OFF, RUN, and START (Figure 5).

Throttle Control

The throttle controls the engine speed, and it has a continuous-variable setting from the SLOW to FAST position (Figure 5).

Choke Control

Use the choke control to start a cold engine (Figure 5).

Blade-Control Switch (Power Takeoff)

The blade-control switch, represented by a power-takeoff (PTO) symbol, engages and disengages power to the mower blades (Figure 5).

Motion-Control Levers

Use the motion-control levers to drive the machine forward, reverse, and turn either direction (Figure 4).

Park Position

Move the motion-control levers outward from the center to the PARK position when exiting the machine to engage the electric brake (Figure 19). Always position the motion-control levers into the PARK position when you stop the machine or leave it unattended.

Smart Speed™ Control System Lever

The Smart Speed™ Control-System lever, located below the operating position, gives you a choice to drive the machine at 3 speed ranges— trim, tow, and mow (Figure 22).

Fuel-Presence Window

You can use the fuel window, located on the left side of the machine, to verify the presence of fuel in the tank (Figure 6).

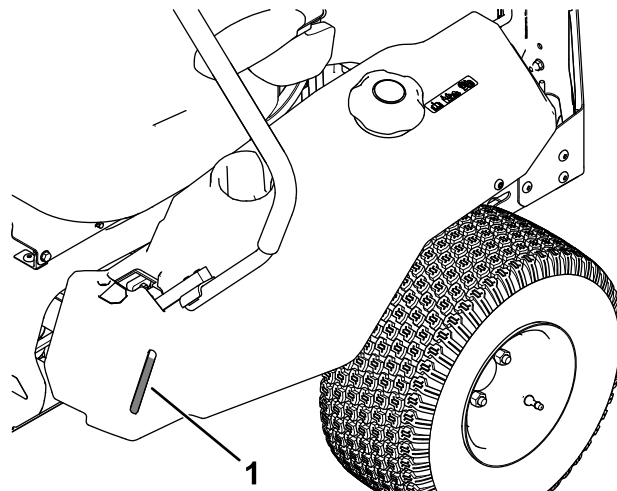


Figure 6

g292100

1. Fuel-presence window

Height-of-Cut Lever

Use the height-of-cut lever to lower and raise the deck from the seated position. Moving the lever up (toward you) raises the deck from the ground and moving the lever down (away from you) lowers the deck toward the ground. Adjust the height-of-cut only while the machine is not moving (Figure 23).

Specifications

Specifications and design are subject to change without notice.

	Model 77301	Model 77404
Cutting width	86 cm (34 inches)	107 cm (42 inches)
Width with deflector down	114 cm (45 inches)	135 cm (53 inches)
Width with deflector raised	104 cm (41 inches)	114 cm (45 inches)
Length	191 cm (75 inches)	191 cm (75 inches)
Height	99 cm (39 inches)	104 cm (41 inches)
Weight	225 kg (496 lb)	230 kg (508 lb)

Attachments/Accessories

A selection of Toro approved attachments and accessories is available for use with the machine to enhance and expand its capabilities. Contact your Authorized Service Dealer or authorized Toro distributor or go to www.Toro.com for a list of all approved attachments and accessories.

To ensure optimum performance and continued safety certification of the machine, use only genuine Toro replacement parts and accessories. Replacement parts and accessories made by other manufacturers could be dangerous, and such use could void the product warranty.

Operation

Note: Determine the left and right sides of the machine from the normal operating position.

Before Operation

Before Operation Safety

General Safety

- Do not allow children or untrained people to operate or service the machine. Local regulations may restrict the age of the operator. The owner is responsible for training all operators and mechanics.
- Inspect the area where you will use the machine, and remove all objects that could interfere with the operation of the machine or that the machine could throw.
- Become familiar with the safe operation of the equipment, operator controls, and safety signs.
- Check that operator-presence controls, safety switches, and guards are attached and working properly. Do not operate the machine unless they are functioning properly.
- Shut off the engine, remove the key, and wait for all moving parts to stop before leaving the operator's position. Allow the machine to cool before servicing, adjusting, fueling, cleaning, or storing it.
- Before mowing, inspect the machine to ensure that the cutting assemblies are working properly.
- Evaluate the terrain to determine the appropriate equipment and any attachments or accessories required to operate the machine properly and safely.
- Wear appropriate clothing, including eye protection; long pants; substantial, slip-resistant footwear; and hearing protection. Tie back long hair and do not wear loose clothing or loose jewelry.
- Do not carry passengers on the machine.
- Keep bystanders and pets away from the machine during operation. Shut off the machine and attachment(s) if anyone enters the area.
- Do not operate the machine unless all guards and safety devices, such as the deflectors and the entire grass catcher, are in place and functioning properly. Replace worn or deteriorated parts when necessary.

Fuel Safety

- Fuel is extremely flammable and highly explosive. A fire or explosion from fuel can burn you and others and can damage property.
 - To prevent a static charge from igniting the fuel, remove the machine from the truck or trailer and refuel it on the ground, away from all vehicles. If this is not possible, place a portable fuel container on the ground, away from all vehicles, and fill it; then refuel the machine from the fuel container rather than from a fuel-dispenser nozzle.
 - Fill the fuel tank outdoors on level ground, in an open area, and when the engine is cold. Wipe up any fuel that spills.
 - Do not handle fuel when smoking or around an open flame or sparks.
 - Do not remove the fuel cap or add fuel to the tank while the engine is running or hot.
 - If you spill fuel, do not attempt to start the engine. Avoid creating a source of ignition until the fuel vapors have dissipated.
 - Store fuel in an approved container and keep it out of the reach of children.
- Fuel is harmful or fatal if swallowed. Long-term exposure to vapors can cause serious injury and illness.
 - Avoid prolonged breathing of vapors.
 - Keep your hands and face away from the nozzle and the fuel-tank opening.
 - Keep fuel away from your eyes and skin.
- Do not store the machine or fuel container where there is an open flame, spark, or pilot light, such as on a water heater or on other appliances.
- Do not operate the machine without the entire exhaust system in place and in proper working condition.
- Keep the fuel-dispenser nozzle in contact with the rim of the fuel tank or container opening at all times until fueling is complete. Do not use a nozzle lock-open device.
- If you spill fuel on your clothing, change your clothing immediately.
- Do not overfill the fuel tank. Replace the fuel cap and tighten it securely.
- Clean grass and debris from the cutting unit, muffler, drives, grass catcher, and engine compartment to help prevent fires. Clean up oil or fuel spills.

Adding Fuel

Recommended Fuel

Type	Unleaded gasoline
Minimum octane rating	87 (US) or 91 (research octane; outside the US)
Ethanol	No more than 10% by volume
Methanol	None
MTBE (methyl tertiary butyl ether)	Less than 15% by volume
Oil	Do not add to the fuel

Use only clean, fresh (no more than 30 days old), fuel from a reputable source.

Using Stabilizer/Conditioner

Use fuel stabilizer/conditioner in the machine to keep the fuel fresh longer when used as directed by the fuel-stabilizer manufacturer.

Important: Do not use fuel additives containing methanol or ethanol.

Add the amount of fuel stabilizer/conditioner to fresh fuel as directed by the fuel-stabilizer manufacturer.

Filling the Fuel Tank

1. Park the machine on a level surface.
2. Move the motion-control levers outward to the PARK position.
3. Shut off the engine and remove the key.
4. Clean around the fuel-tank cap.
5. Fill the fuel tank to the bottom of the filler neck (Figure 7). Do not fill the fuel tank completely full.

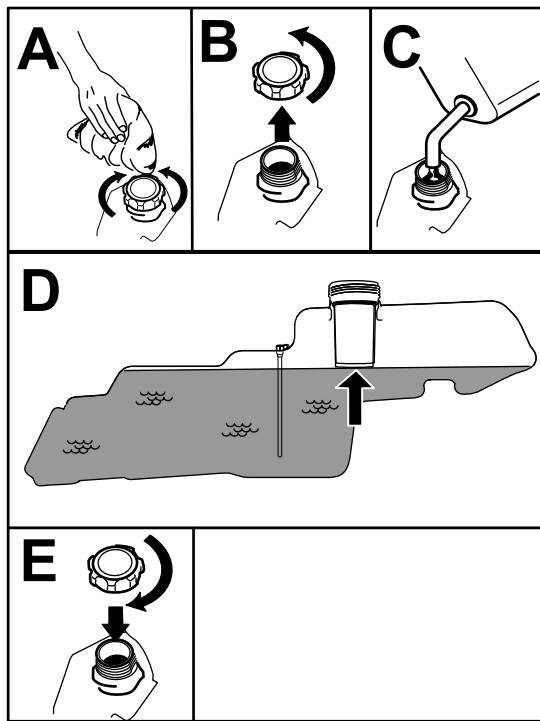


Figure 7

g293796

Understanding the Safety-Interlock System

The safety-interlock system is designed to prevent the engine from starting unless:

- The blade-control switch (PTO) is disengaged.
- The motion-control levers are in the PARK position.

The safety-interlock system also is designed to shut off the engine whenever the control levers are out of the PARK position and you rise from the seat.

Testing the Safety-Interlock System

Test the safety-interlock system before you use the machine each time. If the safety system does not operate as described below, have an Authorized Service Dealer repair the safety system immediately.

1. Sit on the seat, move the motion-control levers in the PARK position, and move the blade-control switch to the ON position. Try starting the engine; the engine should not crank.
2. Sit on the seat and move the blade-control switch to the OFF position. Move either motion-control lever to the center, unlocked position. Try starting the engine; the engine should not crank. Repeat with the other motion-control lever.
3. Sit on the seat, move the blade-control switch to the OFF position, and lock the motion-control levers in the PARK position. Start the engine. While the engine is running, engage the blade-control switch, and rise slightly from the seat; the engine should shut off.
4. Sit on the seat, move the blade-control switch to the OFF position, and lock the motion-control levers in the PARK position. Start the engine. While the engine is running, move the motion-control levers to the center, unlocked position and rise slightly from the seat; the engine should shut off.

Performing Daily Maintenance

Before starting the machine each day, perform the Each Use/Daily procedures listed in [Maintenance \(page 28\)](#).

Breaking in a New Machine

New engines take time to develop full power. Mower decks and drive systems have higher friction when new, placing additional load on the engine. Allow 40 to 50 hours of break-in time for new machines to develop full power and best performance.

Using the Safety-Interlock System

⚠ WARNING

If the safety-interlock switches are disconnected or damaged, the machine could operate unexpectedly, causing personal injury.

- Do not tamper with the interlock switches.
- Check the operation of the interlock switches daily and replace any damaged switches before operating the machine.

Positioning the Seat

The seat can move forward and backward. Position the seat where you have the best control of the machine and are most comfortable (Figure 8).

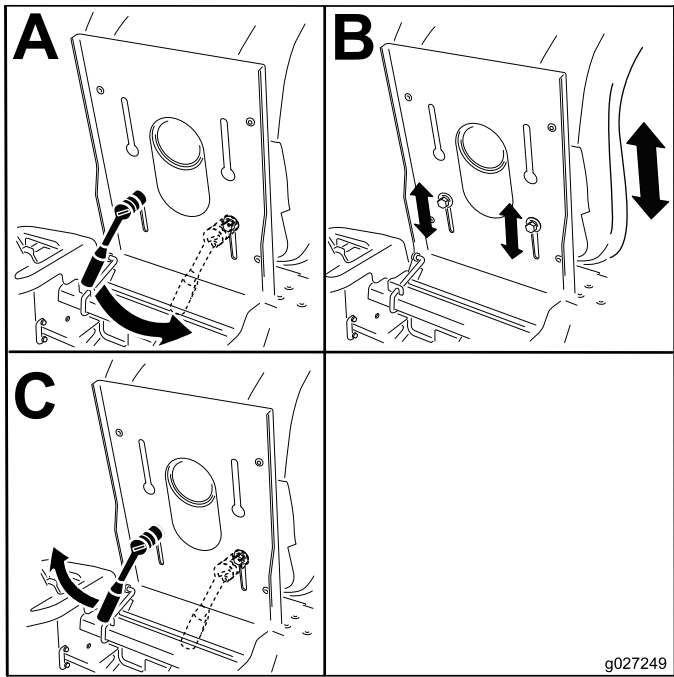


Figure 8

Adjusting the Motion-Control Levers

Adjusting the Height

You can adjust the motion-control levers higher or lower for maximum comfort (Figure 9).

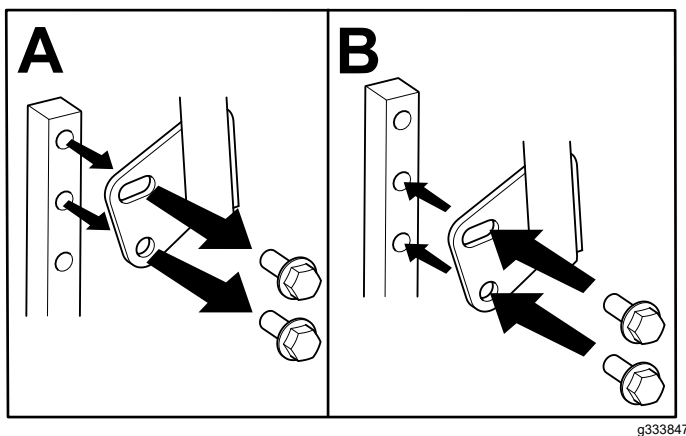


Figure 9

Adjusting the Tilt

You can adjust the motion-control levers forward or rearward for your comfort.

1. Loosen the upper bolt holding the control lever to the control-arm shaft.
2. Loosen the lower bolt just enough to pivot the control lever forward or rearward.

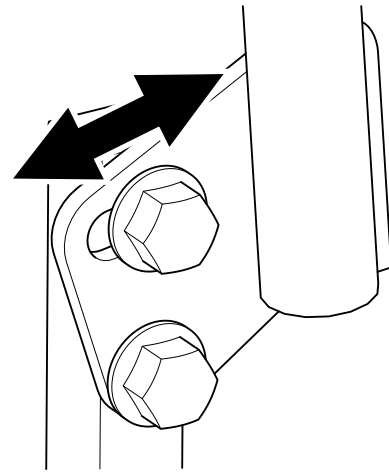


Figure 10

g333846

3. Tighten both bolts to secure the control lever in the new position.
4. Repeat the adjustment for the other control lever.

During Operation

During Operation Safety

General Safety

- The owner/operator can prevent and is responsible for accidents that may cause personal injury or property damage.
- Use your full attention while operating the machine. Do not engage in any activity that causes distractions; otherwise, injury or property damage may occur.
- Do not operate the machine while ill, tired, or under the influence of alcohol or drugs.
- Contacting the blade can result in serious personal injury. Shut off the engine, remove the key, and wait for all moving parts to stop before leaving the operating position. When you turn the key to the OFF position, the engine should shut off and the blade should stop. If not, stop using your machine immediately and contact an Authorized Service Dealer.

- Operate the machine only in good visibility and appropriate weather conditions. Do not operate the machine when there is the risk of lightning.
- Keep your hands and feet away from the cutting units. Keep clear of the discharge opening.
- Do not mow with the discharge deflector raised, removed, or altered unless there is a grass-collection system or mulch kit in place and working properly.
- Do not mow in reverse unless it is absolutely necessary. Always look down and behind you before moving the machine in reverse.
- Use extreme care when approaching blind corners, shrubs, trees, or other objects that may block your view.
- Stop the blades whenever you are not mowing.
- If the machine strikes an object or starts to vibrate, immediately shut off the engine, remove the key (if equipped), and wait for all moving parts to stop before examining the machine for damage. Make all necessary repairs before resuming operation.
- Slow down and use caution when making turns and crossing roads and sidewalks with the machine. Always yield the right-of-way.
- Before you leave the operating position, do the following:
 - Park the machine on a level surface.
 - Disengage the power takeoff and lower the attachments.
 - Engage the parking brake.
 - Shut off the engine and remove the key.
 - Wait for all moving parts to stop.
- Operate the engine only in well-ventilated areas. Exhaust gases contain carbon monoxide, which is lethal if inhaled.
- Never leave a running machine unattended.
- Attach towed equipment to the machine only at the hitch point.
- Do not operate the machine unless all guards and safety devices, such as the deflectors and the entire grass catcher, are in place and functioning properly. Replace worn or deteriorated parts when necessary.
- Use only accessories and attachments approved by Toro.
- This machine produces sound levels in excess of 85 dBA at the operator's ear and can cause hearing loss through extended periods of exposure.

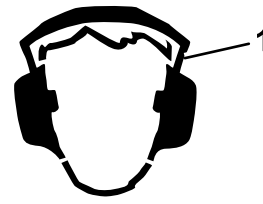


Figure 11

g229846

1. Wear hearing protection.

-
- Clean grass and debris from the cutting unit, drives, muffler, and engine to help prevent fires.
 - Start the engine with your feet well away from the blades.
 - Be aware of the mower discharge path and direct the discharge away from others. Avoid discharging material against a wall or obstruction because the material may ricochet back toward you.
 - Stop the blades, slow down the machine, and use caution when crossing surfaces other than grass or when transporting the machine to and from the operating area.
 - Do not change the engine governor speed or overspeed the engine.
 - Children are often attracted to the machine and the mowing activity. Never assume that children will remain where you last saw them.
 - Keep children out of the operating area and under the watchful care of a responsible adult other than the operator.
 - Be alert and shut off the machine if children enter the operating area.
 - Before backing up or turning the machine, look down and all around for small children.
 - Do not carry children on the machine, even when the blades are not moving. Children could fall off and be seriously injured or prevent you from safely operating the machine. Children who have been given rides in the past could appear in the operating area without warning and be run over or backed over by the machine.

Slope Safety

- Slopes are a major factor related to loss of control and rollover accidents, which can result in severe injury or death. The operator is responsible for safe slope operation. Operating the machine on any slope requires extra caution. Before using the machine on a slope, do the following:
 - Review and understand the slope instructions in the manual and on the machine.
 - Use an angle indicator to determine the approximate slope angle of the area.
 - Never operate on slopes greater than 15°.

- Evaluate the site conditions of the day to determine if the slope is safe for machine operation. Use common sense and good judgment when performing this evaluation. Changes in the terrain, such as moisture, can quickly affect the operation of the machine on a slope.

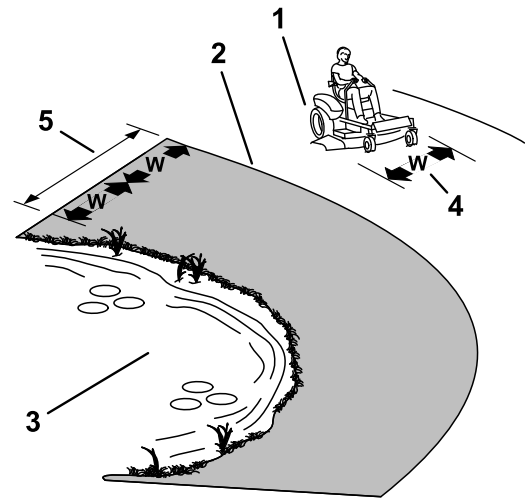


Figure 12

g229111

- Identify hazards at the base of the slope. Do not operate the machine near drop-offs, ditches, embankments, water, or other hazards. The machine could suddenly roll over if a wheel goes over the edge or the edge collapses. Keep a safe distance (twice the width of the machine) between the machine and any hazard. Use a walk-behind mower or a hand trimmer to mow the grass in these areas.
- Avoid starting, stopping, or turning the machine on slopes. Avoid making sudden changes in speed or direction; turn slowly and gradually.
- Do not operate a machine under any conditions where traction, steering, or stability is in question. Be aware that operating the machine on wet grass, across slopes, or downhill may cause the machine to lose traction. Loss of traction to the drive wheels may result in sliding and a loss of braking and steering. The machine can slide even if the drive wheels are stopped.
- Remove or mark obstacles such as ditches, holes, ruts, bumps, rocks, or other hidden hazards. Tall grass can hide obstacles. Uneven terrain could overturn the machine.
- Use extra care while operating with accessories or attachments, such as grass-collection systems. These can change the stability of the machine and cause a loss of control. Follow directions for counterweights.
- If possible, keep the deck lowered to the ground while operating on slopes. Raising the deck while operating on slopes can cause the machine to become unstable.

1. Safe Zone—use the machine here on slopes less than 15° or flat areas.
2. Danger Zone—use a walk-behind mower and/or a hand trimmer on slopes greater than 15° and near drop-offs or water.
3. Water
4. W = Width of the machine
5. Keep a safe distance (twice the width of the machine) between the machine and any hazard.

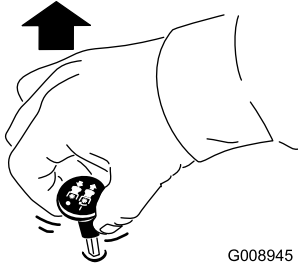
Towing Safety

- Do not attach towed equipment except at the hitch point.
- Do not use the machine as a towing vehicle unless it has a hitch installed.
- Do not exceed the weight limits for towed equipment and towing on slopes. The towed weight must not exceed the weight of the machine and operator.
- Never allow children or others near the towed equipment.
- On slopes, the weight of the towed equipment may cause loss of traction, increased risk of rollover, and loss of control. Reduce the towed weight and slow down.
- The stopping distance may increase with the weight of a towed load. Travel slowly and allow extra distance to stop.
- Make wide turns to keep the attachment clear of the machine.

Operating the Mower Blade-Control Switch (PTO)

The blade-control switch (PTO) starts and stops the mower blades and any powered attachments.

Engaging the Blade-Control Switch (PTO)

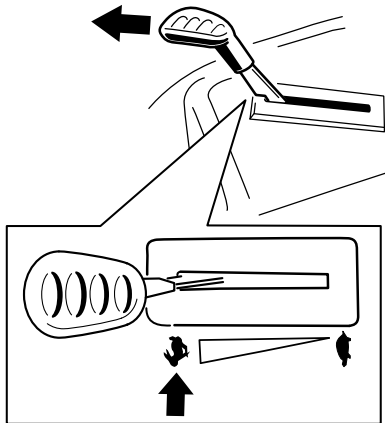


G008945

g008945

Figure 13

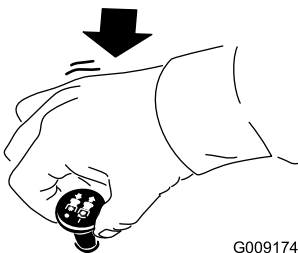
Note: Always engage the blades with the throttle in the FAST position (Figure 14).



g295538

Figure 14

Disengaging the Blade-Control Switch (PTO)



G009174

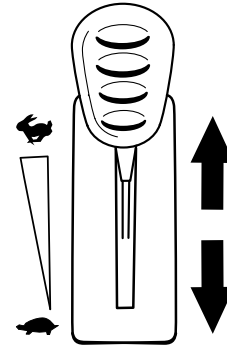
g009174

Figure 15

Operating the Throttle

You can move the throttle control between the FAST and SLOW positions (Figure 16).

Always use the FAST position when engaging the PTO.



g295539

Figure 16

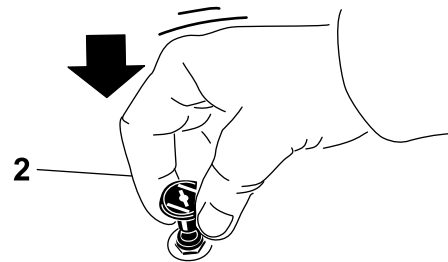
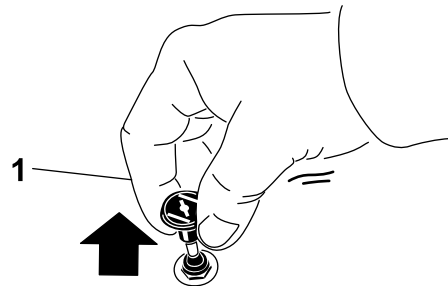
Operating the Choke

Use the choke to start a cold engine.

1. Pull up the choke knob to engage the choke before using the key switch (Figure 17).

Note: Ensure that you fully engage the choke. You may need to hold the knob up when you use the key switch.

2. Push down the choke to disengage the choke after the engine has started (Figure 17).



g295540

Figure 17

1. ON position

2. OFF position

Starting the Engine

Note: A warm or hot engine may not require choking.

Important: Do not engage the starter for more than 5 seconds at a time. Engaging the starter motor for more than 5 seconds can damage the starter motor. If the engine fails to start, wait 1 minute before operating the engine starter again.

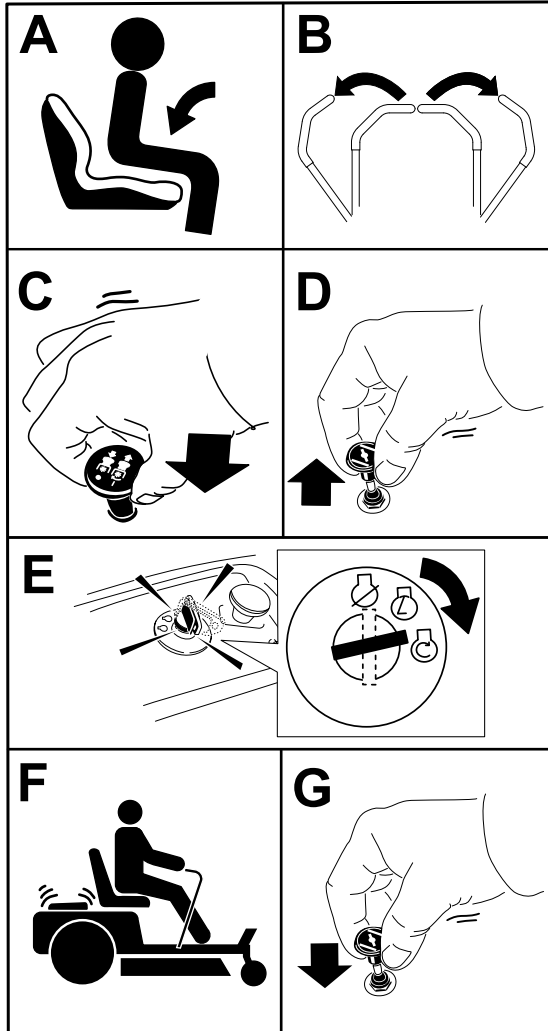


Figure 18

g295541

Shutting Off the Engine

1. Disengage the blades by moving the blade-control switch to the OFF position.
2. Move the motion-control levers outward to the PARK position.
3. Move the throttle lever to the SLOW position and let the engine idle for 1 minute.
4. Turn the key to the OFF position and remove the key.

⚠ CAUTION

Children or bystanders may be injured if they move or attempt to operate the machine while it is unattended.

Always remove the key and engage the parking brake when leaving the machine unattended.

Using the Motion-Control Levers

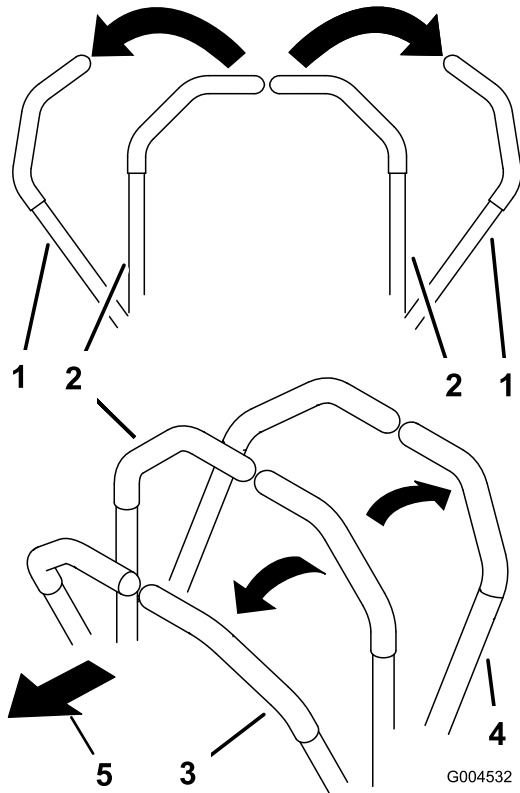


Figure 19

- | | |
|---------------------------------------|---------------------|
| 1. Motion-control lever—PARK position | 4. Backward |
| 2. Center, unlocked position | 5. Front of machine |
| 3. Forward | |

Driving the Machine

The drive wheels turn independently, powered by hydraulic motors on each axle. You can turn 1 side in reverse while you turn the other forward, causing the machine to spin rather than turn. This greatly improves the machine maneuverability but may require some time for you to adapt to how it moves.

The throttle control regulates the engine speed as measured in rpm (revolutions per minute). Place the throttle control in the FAST position for best performance. Always operate in the full throttle position when mowing.

⚠ WARNING

The machine can spin very rapidly. You may lose control of the machine and cause personal injury or damage to the machine.

- Use caution when making turns.
- Slow the machine down before making sharp turns.

Driving Forward

Note: Always use caution when turning.

1. Move the levers to the center, unlocked position.
2. To go forward, slowly push the motion-control levers forward ([Figure 20](#)).

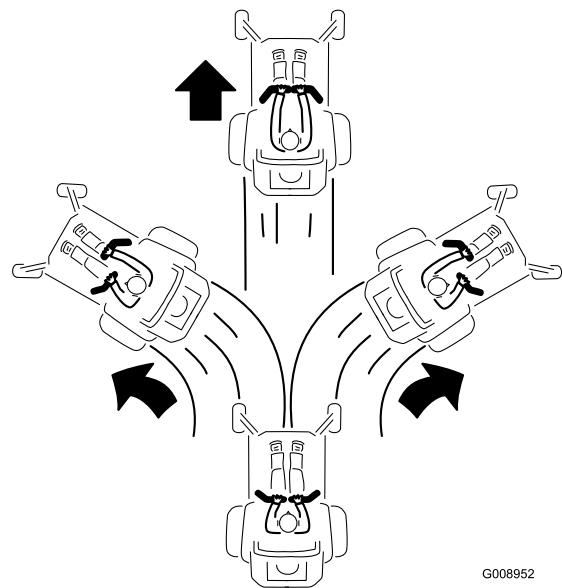
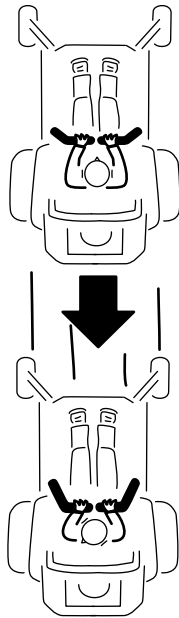


Figure 20

Driving Backward

Note: Always use caution when backing up and turning.

1. Move the levers to the center, unlocked position.
2. To go backward, slowly pull the motion-control levers rearward (Figure 21).



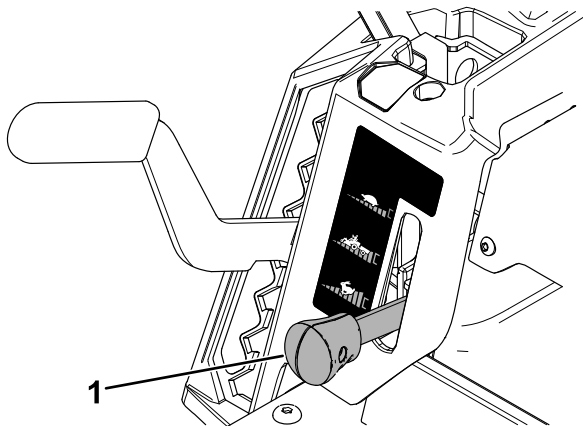
G008953

g008953

Figure 21

Using the Smart Speed™ Control System

The Smart Speed™ Control-System lever, located below the operating position (Figure 22), gives the operator a choice to drive the machine at 3 ground speed ranges—trim, tow, and mow.



g293338

Figure 22

1. Smart-speed lever

To change speeds, do the following:

1. Move the motion-control levers to neutral and outward to the PARK position.
2. Disengage the blade-control switch.
3. Adjust the lever to the desired position.

The following are only recommendations for use. Adjustments vary by grass type, moisture content, and the height of the grass.

Suggested uses:	Trim	Tow	Mow
Parking	X		
Heavy, wet grass	X		
Training	X		
Trimming grass	X		
Bagging		X	
Mulching		X	
Towing attachments		X	
Normal mowing			X
Moving the machine			X

Trim

This is the lowest speed. The suggested uses for this speed are as follows:

- Parking
- Heavy, wet grass mowing conditions
- Training
- Trimming grass

Tow

This is the medium speed. The suggested uses for this speed are as follows:

- Bagging
- Mulching
- Towing attachments

Mow

This is the fastest speed. The suggested uses for this speed are as follows:

- Normal mowing
- Moving the machine

Using the Side Discharge

The mower has a hinged grass deflector that disperses clippings to the side and down toward the turf.

⚠ DANGER

Without a grass deflector, discharge cover, or a complete grass-catcher assembly mounted in place, you and others are exposed to blade contact and thrown debris. Contact with rotating mower blade(s) and thrown debris will cause injury or death.

- Never remove the grass deflector from the mower deck because the grass deflector routes material down toward the turf. If the grass deflector is ever damaged, replace it immediately.
- Never put your hands or feet under the mower deck.
- Never try to clear the discharge area or mower blades unless you move the blade-control switch (PTO) to the OFF position, rotate the key switch to the OFF position, and remove the key from the key switch.
- Make sure that the grass deflector is in the down position.

Adjusting the Height of Cut

Note: The transport position is the highest height-of-cut position or cutting height at 114 mm (4-1/2 inches) as shown in [Figure 23](#).

You can adjust the height of cut from 38 to 114 mm (1-1/2 to 4-1/2 inches) in 13 mm (1/2 inch) increments. The height of cut is controlled by the lever located to the right of the operating position ([Figure 23](#)).

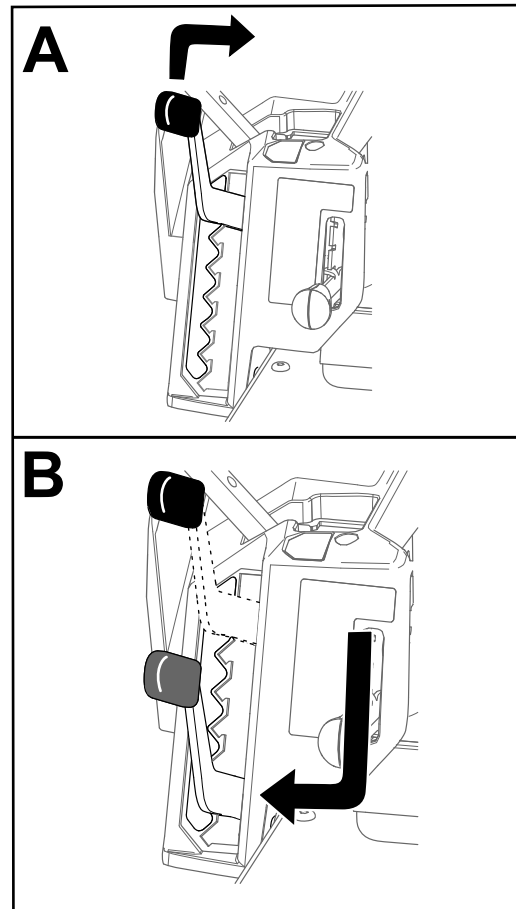


Figure 23

g296586

Adjusting the Anti-Scalp Rollers

Whenever you change the height of cut, adjust the height of the anti-scalp rollers.

Note: Adjust the anti-scalp rollers so that the rollers do not touch the ground in normal, flat mowing areas.

1. Park the machine on a level surface, disengage the blade-control switch, and move the motion-control levers outward to the PARK position.
2. Shut off the engine, remove the key, and wait for all moving parts to stop before leaving the operating position.
3. Adjust the anti-scalp rollers to 1 of the following positions:
 - Upper hole—use this position with the mower deck in the 63 mm (2-1/2 inches) and below the height-of-cut positions (Figure 24).
 - Lower hole—use this position with the mower deck in the 76 mm (3 inches) and above the height-of-cut positions (Figure 24).

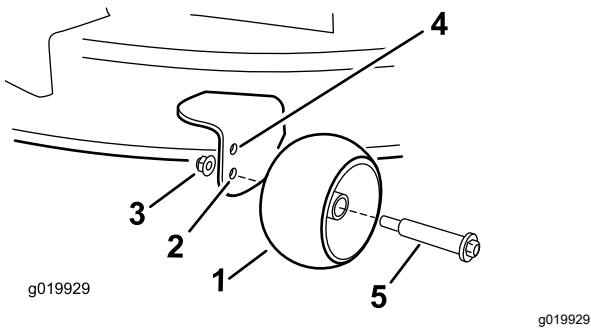


Figure 24

- | | |
|--|--|
| 1. Anti-scalp roller | 4. Upper hole—the mower deck in the 63 mm (2-1/2 inches) and below the height-of-cut positions |
| 2. Lower hole—the mower deck in the 76 mm (3 inches) and above the height-of-cut positions | 5. Bolt |
| 3. Flange nut | |

Operating Tips

Maximizing Air Circulation

For best mowing and maximum air circulation, operate the engine at the FAST position. Air is required to thoroughly cut grass clippings, so do not set the height-of-cut so low as to totally surround the mower deck in uncut grass. Always try to have 1 side of the mower deck free from uncut grass, which allows air to be drawn into the mower deck.

Cutting a Lawn for the First Time

Cut grass slightly longer than normal to ensure that the cutting height of the mower deck does not scalp any uneven ground. However, the cutting height used in the past is generally the best one to use. When cutting grass longer than 15 cm (6 inches) tall, you may want to cut the lawn twice to ensure an acceptable quality of cut.

Cutting a Third of the Grass Blade

It is best to cut only about a third of the grass blade. Cutting more than that is not recommended unless grass is sparse, or it is late fall when grass grows more slowly.

Alternating the Mowing Direction

Alternate the mowing direction to keep the grass standing straight. This also helps disperse clippings, which enhances decomposition and fertilization.

Mowing at Correct Intervals

Grass grows at different rates at different times of the year. To maintain the same cutting height, mow more often in early spring. As the grass growth rate slows in mid summer, mow less frequently. If you cannot mow for an extended period, first mow at a high cutting height, then mow again 2 days later at a lower height setting.

Mowing at Slower Speeds

In certain conditions, mowing at a slower ground speed can improve cut quality.

Avoiding Cutting Too Low

When mowing uneven turf, raise the cutting height to avoid scalping the turf.

Stopping the Machine

If you must stop the forward motion of the machine while mowing, a clump of grass clippings may drop onto your lawn. To avoid this, move onto a previously cut area with the blades engaged or you can disengage the mower deck while moving forward.

Keeping the Underside of the Mower Deck Clean

Clean clippings and dirt from the underside of the mower deck after each use. If grass and dirt build up inside the mower deck, cutting quality will eventually become unsatisfactory.

Maintaining the Blade(s)

Maintain a sharp blade throughout the cutting season because a sharp blade cuts cleanly without tearing or shredding the grass blades. Tearing and shredding turns grass brown at the edges, which slows growth and increases the chance of disease. Check the mower blades after each use for sharpness, and for any wear or damage. File down any nicks and sharpen the blades as necessary. If a blade is damaged or worn, replace it immediately with a genuine Toro replacement blade. Refer to [Servicing the Cutting Blades \(page 40\)](#).

After Operation

After Operation Safety

General Safety

- Shut off the engine, remove the key, and wait for all moving parts to stop before leaving the operator's position. Allow the machine to cool before servicing, adjusting, fueling, cleaning, or storing it.
- Clean grass and debris from the cutting unit, muffler, drives, grass catcher, and engine compartment to help prevent fires. Clean up oil or fuel spills.
- Remove the key before storing or transporting the machine.

Cleaning the Machine

Service Interval: After each use

Important: You can wash the machine with a mild detergent and water. Do not pressure wash the machine. Avoid excessive use of water, especially near the control panel, under the seat, around the engine, hydraulic pumps, and motors.

1. Park the machine on a level surface, disengage the blade-control switch, and move the motion-control levers outward to the PARK position.
2. Shut off the engine and wait for all moving parts to stop before leaving the operating position.
3. Clean grass and debris from cutting unit, muffler, drives, grass catcher, and engine.

Note: Refer to [Washing the Underside of the Mower Deck \(page 47\)](#) for information on using the deck-washout fitting.

Pushing the Machine by Hand

This machine has an electric-brake mechanism, and to push the machine, the key must be in the RUN position. The battery needs to be charged and functioning to disengage the electric brake.

1. Park the machine on a level surface, disengage the blade-control switch, and move the motion-control levers outward to the PARK position.
2. Shut off the engine and wait for all moving parts to stop before leaving the operating position.
3. Locate the bypass levers on the frame on both sides of the engine.
4. Move both bypass levers forward through the slotted hole and down to lock them in place (Figure 25).

⚠ WARNING

Contact with hot surfaces may cause personal injury.

Keep your hands, feet, face, clothing and other body parts away the engine, muffler and other hot surfaces.

⚠ WARNING

The machine could unintentionally move while the bypass levers are locked forward in the slot and injure you or bystanders.

Lock the bypass levers rearward after moving the machine.

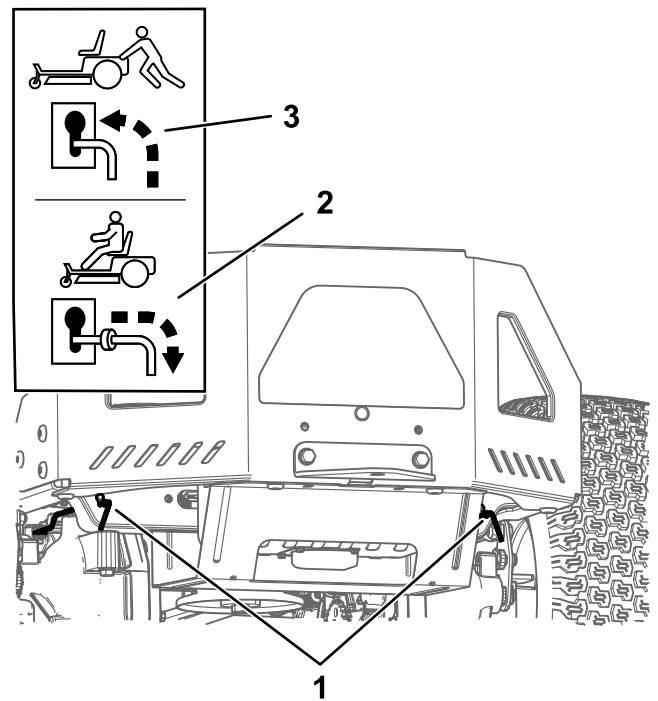


Figure 25

g333873

1. Bypass-lever locations
2. Lever position for operating the machine
3. Lever position for pushing the machine

5. Turn the ignition key to the RUN position and disengage the parking brake by moving 1 motion-control lever out of the PARK position.

Note: Do not start the machine.

6. Move the machine as required.

Important: Always push the machine by hand. Do not tow the machine, because towing may damage it.

7. Move the motion-control levers outward to the PARK position.
8. Turn the key to the OFF position and remove it to avoid draining the battery charge.
9. Move both bypass levers rearward and down through the slotted hole to lock them in place.

Transporting the Machine

Use a heavy-duty trailer or truck to transport the machine. Use a full-width ramp. Ensure that the trailer or truck has all the necessary brakes, lighting, and marking as required by law. Please carefully read all the safety instructions. Knowing this information could help you or bystanders avoid injury. Refer to your local ordinances for trailer and tie-down requirements.

⚠ WARNING

Driving on the street or roadway without turn signals, lights, reflective markings, or a slow-moving-vehicle emblem is dangerous and can lead to accidents, causing personal injury.

Do not drive the machine on a public street or roadway.

Selecting a Trailer

⚠ WARNING

Loading a machine onto a trailer or truck increases the possibility of tip-over and could cause serious injury or death (Figure 26).

- Use only a full-width ramp; do not use individual ramps for each side of the machine.
- Do not exceed a 15-degree angle between the ramp and the ground or between the ramp and the trailer or truck.
- Ensure that the length of the ramp is at least 4 times as long as the height of the trailer or truck bed to the ground. This ensures that the ramp angle does not exceed 15 degrees on flat ground.

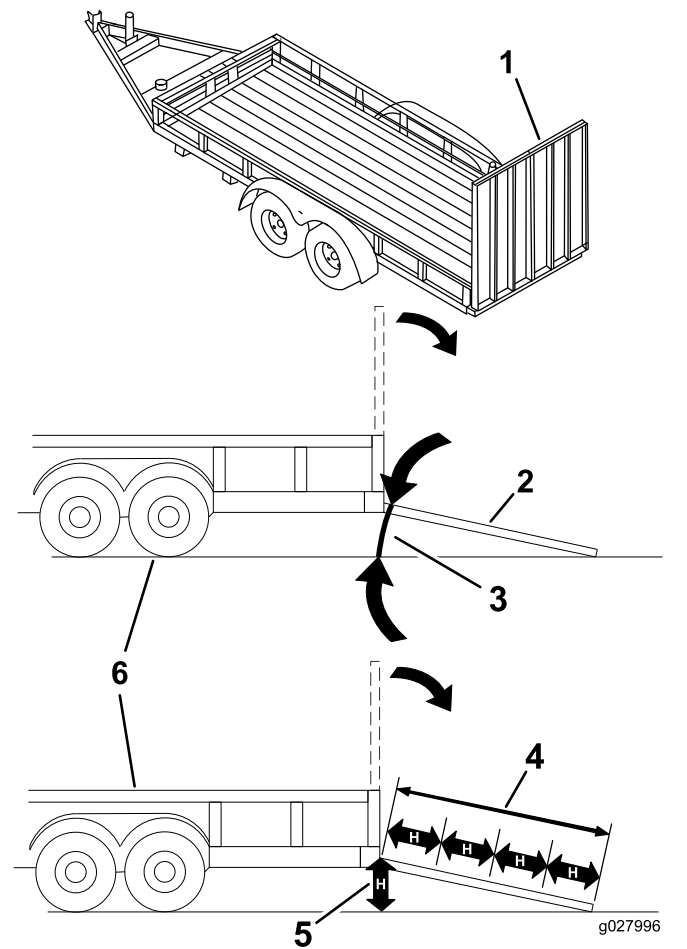


Figure 26

1. Full-width ramp in stowed position
2. Side view of full-width ramp in loading position
3. Not greater than 15 degrees
4. Ramp is at least 4 times as long as the height of the trailer or truck bed to the ground
5. H=height of the trailer or truck bed to the ground
6. Trailer

Loading the Machine

⚠ WARNING

Loading a machine onto a trailer or truck increases the possibility of tip-over and could cause serious injury or death.

- Use extreme caution when operating a machine on a ramp.
- Back the machine up the ramp and drive it forward down the ramp.
- Avoid sudden acceleration or deceleration while driving the machine on a ramp as this could cause a loss of control or a tip-over situation.

1. If you are using a trailer, connect it to the towing vehicle and connect the safety chains.
2. If applicable, connect the trailer brakes and lights.
3. Lower the ramp, ensuring that the angle between the ramp and the ground does not exceed 15 degrees (Figure 26).
4. Back the machine up the ramp (Figure 27).

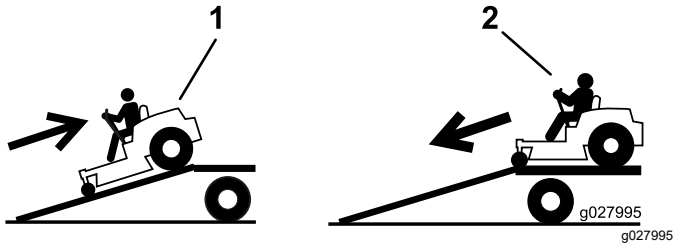


Figure 27

1. Back the machine up the ramp.
2. Drive the machine forward down the ramp.

5. Shut off the engine, remove the key, and move the motion-control levers outward to the PARK position.
6. Tie down the machine near the front caster wheels and the rear frame with straps, chains, cable, or ropes (Figure 28). Refer to local regulations for tie-down requirements.

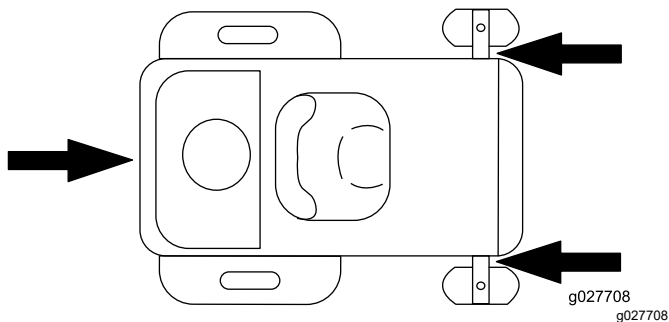


Figure 28

1. Tie-down points

Unloading the Machine

1. Lower the ramp, ensuring that the angle between the ramp and the ground does not exceed 15 degrees (Figure 26).
2. Drive the machine forward down the ramp (Figure 27).

Maintenance

Note: Determine the left and right sides of the machine from the normal operating position.

Maintenance Safety

- If you leave the key in the switch, someone could accidentally start the engine and seriously injure you or other bystanders. Remove the key from the switch before you perform any maintenance.
- Before you leave the operator's position, do the following:
 - Park the machine on a level surface.
 - Disengage the drives.
 - Engage the parking brake.
 - Shut off the engine and remove the key.
 - Allow machine components to cool before performing maintenance.
- Do not allow untrained personnel to service the machine.
- Keep your hands and feet away from moving parts or hot surfaces. If possible, do not make adjustments with the engine running.
- Carefully release pressure from components with stored energy.
- Check the parking brake operation frequently. Adjust and service it as required.
- Never tamper with safety devices. Check their proper operation regularly.
- Clean grass and debris from the cutting unit, muffler, drives, grass catcher, and engine compartment to prevent fires.
- Clean up oil or fuel spills and remove fuel-soaked debris.
- Do not rely on hydraulic or mechanical jacks to support the machine; support the machine with jack stands whenever you raise the machine.
- Keep all parts in good working condition and all hardware tightened, especially the blade-attachment hardware. Replace all worn or damaged decals.
- Disconnect the cable from the negative terminal of the battery before repairing the machine.
- To ensure optimum performance, use only genuine Toro replacement parts and accessories. Replacement parts and accessories made by other manufacturers could be dangerous, and such use could void the product warranty.

Recommended Maintenance Schedule(s)

Maintenance Service Interval	Maintenance Procedure
Before each use or daily	<ul style="list-style-type: none"> • Check the safety-interlock system. • Check the engine-oil level. • Clean the cooling system (more often in dusty, dirty conditions). • Inspect the blades. • Inspect the grass deflector for damage.
After each use	<ul style="list-style-type: none"> • Clean grass and debris from the cutting unit, muffler, drives, grass catcher, and engine. • Clean the mower-deck housing.
Every 25 hours	<ul style="list-style-type: none"> • Grease the caster wheel bearings (more often in sandy soil conditions). • Clean the air-cleaner foam element (more often in dusty, dirty conditions). • Check tire pressure. • Check the belts for wear or cracks.
Every 100 hours or yearly, whichever comes first	<ul style="list-style-type: none"> • Replace the paper air-cleaner element (more often in dirty or dusty conditions). • Change the engine oil and oil filter (more often in dirty or dusty conditions).
Before storage	<ul style="list-style-type: none"> • Charge the battery and disconnect the battery cables. • Perform all maintenance procedures listed above before storage. • Paint any chipped surfaces.
Yearly	<ul style="list-style-type: none"> • Replace the air-cleaner paper and foam elements (more often in dusty, dirty conditions). • Change the spark plug(s). • Replace the in-line fuel filter.

Important: Refer to your engine owner's manual for additional maintenance procedures.

⚠ CAUTION

If you leave the key in the switch, someone could accidentally start the engine and seriously injure you or other bystanders.

Shut off the engine and remove the key from the switch before you perform any maintenance.

Pre-Maintenance Procedures

Raising the Machine

Use jackstands to support the machine when you raise it.

⚠ WARNING

Supporting the machine on the lower muffler shield (**Figure 29**) may damage the shield and cause the machine to fall, injuring you or bystanders.

Do not use the lower muffler shield to lift or support the machine.

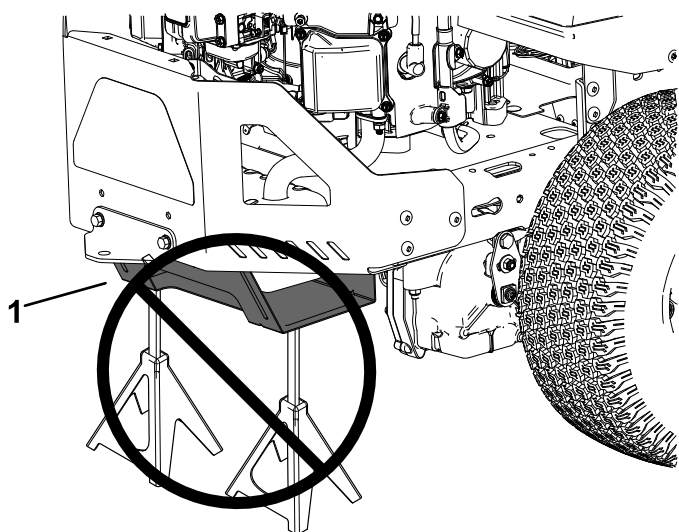


Figure 29

g299647

1. Lower muffler shield

Lubrication

Greasing the Bearings

Service Interval: Every 25 hours—Grease the caster wheel bearings (more often in sandy soil conditions).

Grease Type: No. 2 lithium grease

1. Park the machine on a level surface, disengage the blade-control switch, and move the motion-control levers outward to the PARK position.
2. Shut off the engine, remove the key, and wait for all moving parts to stop before leaving the operating position.
3. Clean the grease fittings (**Figure 30**) with a rag.

Note: Scrape any paint off the front of the fitting(s).

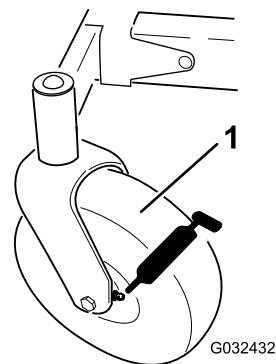


Figure 30

g032432

1. Front caster tire
4. Connect a grease gun to each fitting (**Figure 30**).
5. Pump grease into the fittings until grease begins to ooze out of the bearings.
6. Wipe up any excess grease.

Engine Maintenance

Engine Safety

- Keep your hands, feet, face, other body parts, and clothing away from the muffler and other hot surfaces. Allow engine components to cool before performing maintenance.
- Do not change the engine governor speed or overspeed the engine.

Servicing the Air Cleaner

Service Interval: Every 25 hours—Clean the air-cleaner foam element (more often in dusty, dirty conditions).

Yearly—Replace the air-cleaner paper and foam elements (more often in dusty, dirty conditions).

Note: Service the air cleaner more frequently (every few hours) if operating conditions are extremely dusty or sandy.

Removing the Air-Cleaner Elements

1. Park the machine on a level surface, disengage the blade-control switch, and move the motion-control levers outward to the PARK position.
2. Shut off the engine, remove the key, and wait for all moving parts to stop before leaving the operating position.
3. Clean around the air-cleaner cover to prevent dirt from getting into the engine and causing damage.
4. Loosen the fasteners and remove the cover.

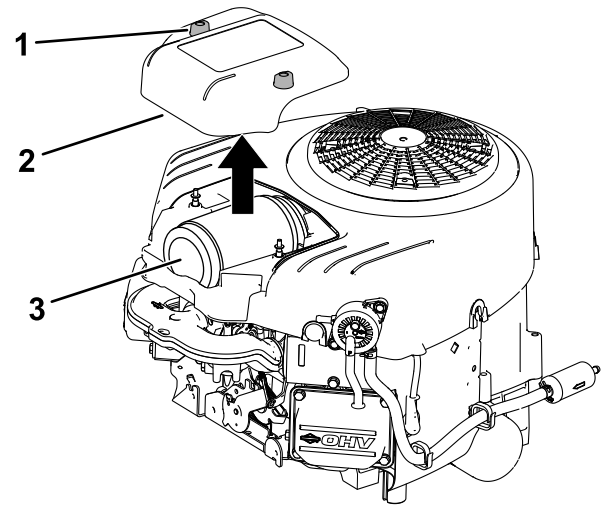


Figure 31

g399637

1. Cover fasteners
2. Cover
3. Air-cleaner elements

5. Remove the air-cleaner elements.
6. Separate the foam and paper elements.

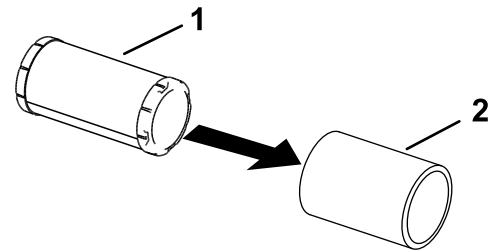


Figure 32

g305608

1. Paper element
2. Foam element

Servicing the Foam Element

1. Wash the foam element in liquid soap and warm water. When the element is clean, rinse it thoroughly.
2. Dry the element by squeezing it in a clean cloth.

Important: Replace the foam element if it is torn or worn.

3. Lightly oil the foam element using new engine oil and squeeze out any excess oil.

Servicing the Paper Air-Cleaner Element

Service Interval: Every 100 hours or yearly, whichever comes first—Replace the paper air-cleaner element (more often in dirty or dusty conditions).

1. Clean the paper element by tapping it gently to remove dust.

Note: If it is very dirty, replace the paper element with a new one.

2. Inspect the element for tears, an oily film, or damage to the rubber seal.
3. Replace the paper element if it is damaged.

Important: Do not clean the paper filter.

Installing the Air-Cleaner Elements

1. Install the foam pre-cleaner element over the paper element.

Note: Ensure that you do not damage the elements.

2. Install the air-cleaner elements onto the air-cleaner base.
3. Install the cover and tighten the fasteners (Figure 31).

Servicing the Engine Oil

Engine-Oil Specifications

Oil Type: Detergent oil (including synthetic) of API service SJ or higher

Crankcase Capacity: 1.9 L (64 fl oz) with oil filter; 1.8 L (60 fl oz) without oil filter

Viscosity: See the table below.

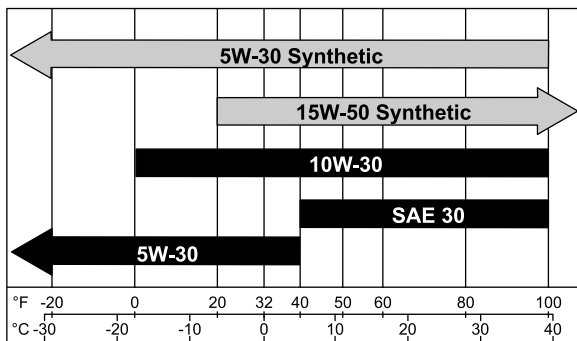


Figure 33

g359987

Checking the Engine-Oil Level

Service Interval: Before each use or daily

Note: Check the oil when the engine is cold.

Important: If you overfill or underfill the engine crankcase with oil and run the engine, you may damage the engine.

1. Park the machine on a level surface, disengage the blade-control switch, and move the motion-control levers outward to the PARK position.
2. Shut off the engine, remove the key, and wait for all moving parts to stop before leaving the operating position.

Note: Ensure that the engine is cool so that the oil has had time to drain into the sump.

3. To keep dirt, grass clippings, etc., out of the engine, clean the area around the oil-fill cap and dipstick before removing it (Figure 34).

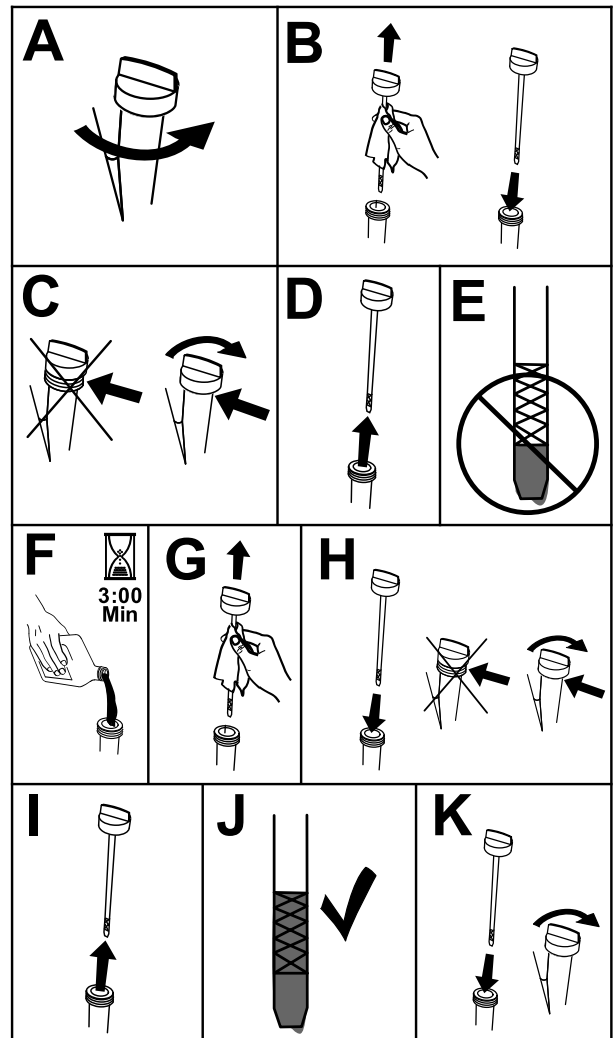


Figure 34

g373146

Changing the Engine Oil and Oil Filter

Service Interval: Every 100 hours or yearly, whichever comes first—Change the engine oil and oil filter (more often in dirty or dusty conditions).

1. Park the machine on a level surface to ensure that the oil drains completely.
2. Disengage the blade-control switch, and move the motion-control levers outward to the PARK position.
3. Shut off the engine, remove the key, and wait for all moving parts to stop before leaving the operating position.
4. Drain the oil from the engine (Figure 35).

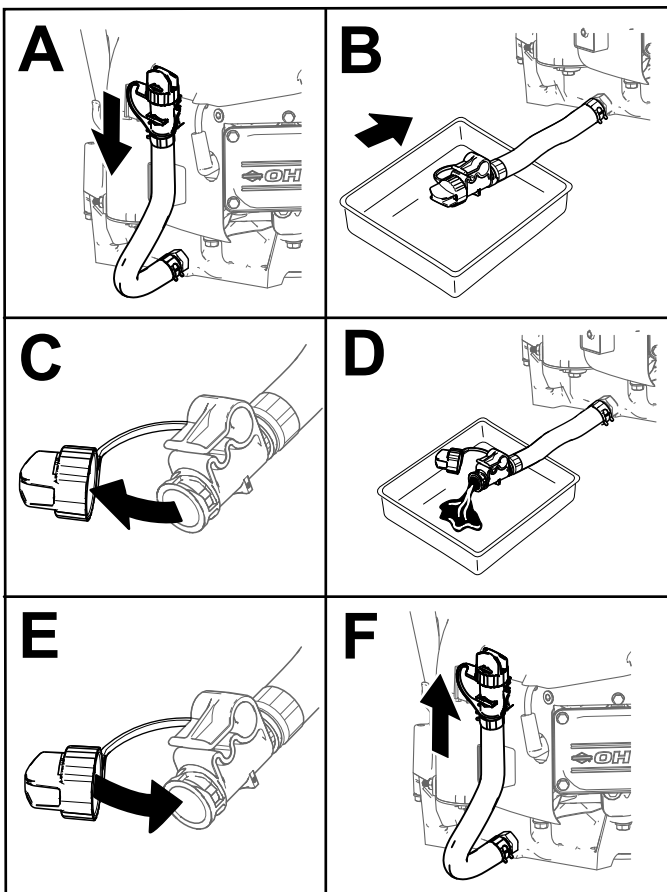


Figure 35

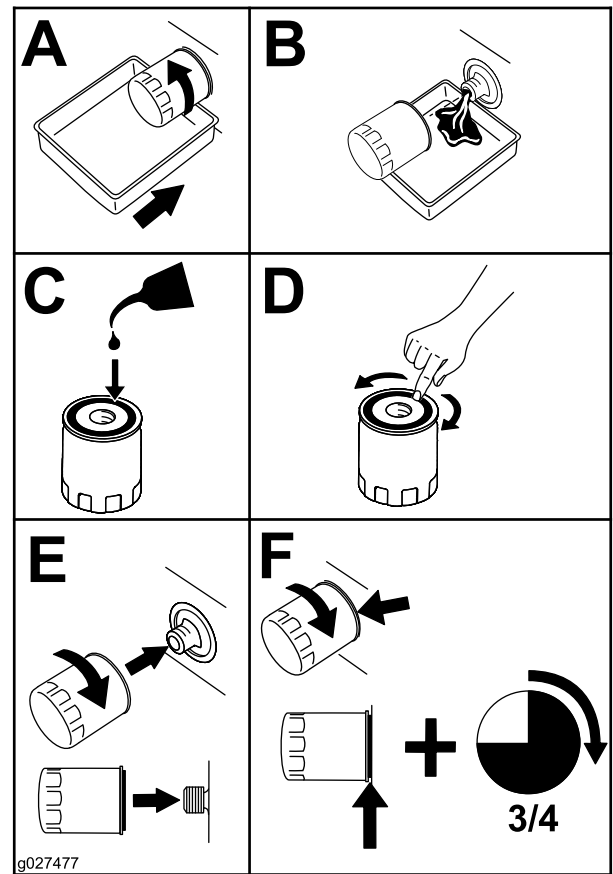


Figure 36

6. Slowly pour approximately 80% of the specified oil into the filler tube and slowly add the additional oil to bring it to the Full mark (Figure 37).

5. Change the engine-oil filter (Figure 36).

Note: Ensure that the oil-filter gasket touches the engine and then turn the filter an extra 3/4 turn.

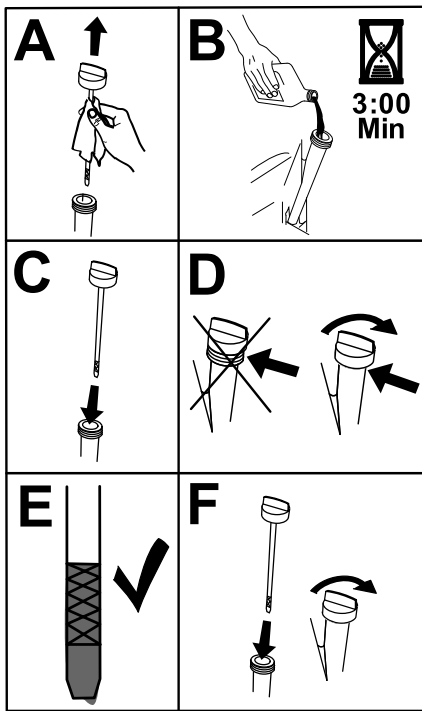


Figure 37

g373565

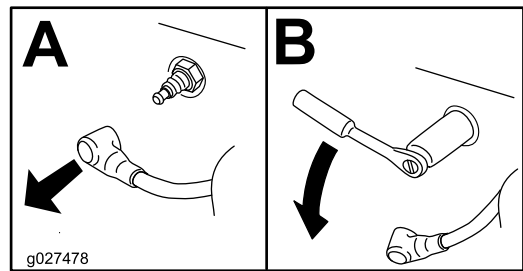


Figure 38

g027478

Checking the Spark Plug

Important: Do not clean the spark plug(s). Always replace the spark plug(s) when it has a black coating, worn electrodes, an oily film, or cracks.

If you see light brown or gray on the insulator, the engine is operating properly. A black coating on the insulator usually means the air cleaner is dirty.

Set the gap to 0.75 mm (0.03 inch).

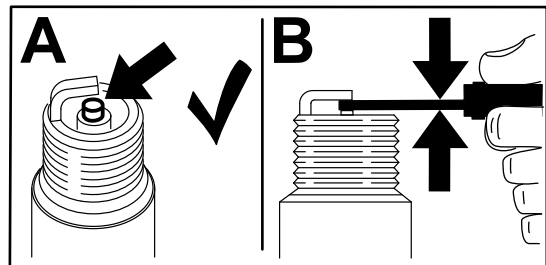


Figure 39

g206628

7. Dispose of the used oil at a recycling center.

Servicing the Spark Plug

Service Interval: Yearly—Change the spark plug(s).

Ensure that the air gap between the center and side electrodes is correct before installing the spark plug. Use a spark plug wrench for removing and installing the spark plug and a gapping tool or feeler gauge to check and adjust the air gap. Install a new spark plug if necessary.

Type: Champion® XC92YC

Air gap: 0.76 mm (0.03 inch)

Removing the Spark Plug

1. Park the machine on a level surface, disengage the blade-control switch, and move the motion-control levers outward to the PARK position.
2. Shut off the engine, remove the key, and wait for all moving parts to stop before leaving the operating position. Allow the engine to cool.
3. Clean the area around the base of the plug to keep dirt and debris out of the engine.
4. Remove the spark plug (Figure 38).

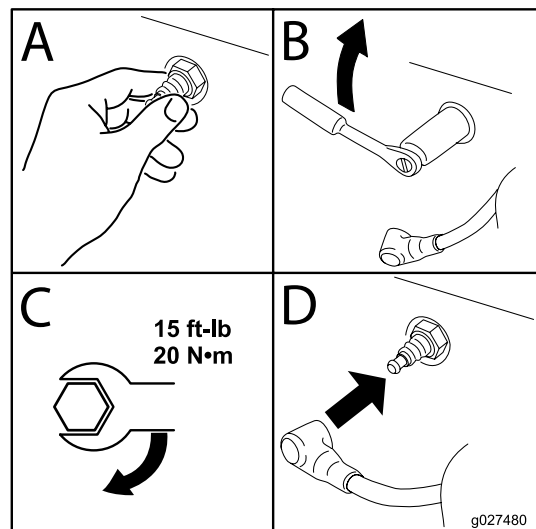


Figure 40

g027480

Cleaning the Cooling System

1. Park the machine on a level surface, disengage the blade-control switch, and move the motion-control levers outward to the PARK position.
2. Shut off the engine, remove the key, and wait for all moving parts to stop before leaving the operating position.
3. Remove the air filter from the engine.
4. Remove the engine shroud.
5. To prevent debris entering the air intake, install the air filter to the filter base.
6. Clean debris and grass from the parts.
7. Remove the air filter and install the engine shroud.
8. Install the air filter.

Fuel System Maintenance

⚠ DANGER

In certain conditions, fuel is extremely flammable and highly explosive. A fire or explosion from fuel can burn you and others and can damage property.

Refer to [Fuel Safety \(page 13\)](#) for a complete list of fuel related precautions.

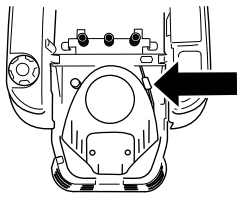
Replacing the In-Line Fuel Filter

Service Interval: Yearly—Replace the in-line fuel filter.

Never install a dirty filter after removing it from the fuel line.

1. Park the machine on a level surface, disengage the blade-control switch, and move the motion-control levers outward to the PARK position.
2. Shut off the engine, remove the key, and wait for all moving parts to stop before leaving the operating position. Allow the engine to cool.
3. Replace the filter ([Figure 41](#)).

Note: Ensure that the flow-direction arrow on the replacement filter points toward the engine.



g400218

Electrical System Maintenance

Electrical System Safety

- Disconnect the cable from the negative terminal of the battery before repairing the machine.
- Charge the battery in an open, well-ventilated area, away from sparks and flames. Unplug the charger before connecting or disconnecting the battery. Wear protective clothing and use insulated tools.

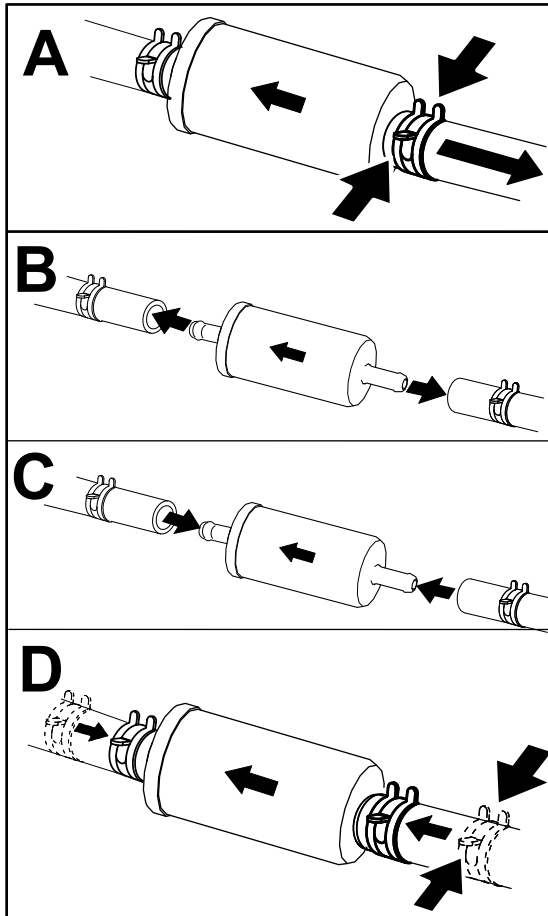
Servicing the Battery

Removing the Battery

⚠ WARNING

Battery terminals or metal tools could short against metal machine components, causing sparks. Sparks can cause the battery gasses to explode, resulting in personal injury.

- When removing or installing the battery, do not allow the battery terminals to touch any metal parts of the machine.
- Do not allow metal tools to short between the battery terminals and metal parts of the machine.



g400217

Figure 41

1. Park the machine on a level surface, disengage the blade-control switch, and move the motion-control levers outward to the PARK position.
2. Shut off the engine, remove the key, and wait for all moving parts to stop before leaving the operating position.
3. Raise the seat to access the battery.
4. Disconnect the negative (black) ground cable from the battery post (Figure 42).

Note: Retain all fasteners.

⚠ WARNING

Incorrectly removing the cables from battery could damage the machine and cables, causing sparks. Sparks can cause the battery gasses to explode, resulting in personal injury.

- Always disconnect the negative (black) battery cable before disconnecting the positive (red) cable.
 - Always connect the positive (red) battery cable before connecting the negative (black) cable.
5. Slide the rubber cover off the positive (red) cable.
 6. Disconnect the positive (red) cable from the battery post (Figure 42).
- Note:** Retain all fasteners.
7. Remove the battery hold-down (Figure 42), and lift the battery from the battery tray.

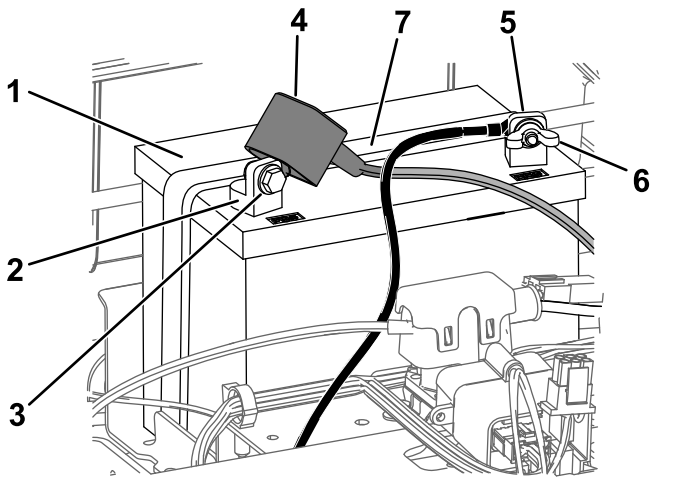


Figure 42

1. Battery
2. Positive (+) battery post
3. Bolt, washer, and nut
4. Terminal boot
5. Negative (-) battery post
6. Wing nut, washer, and bolt
7. Battery hold-down

Charging the Battery

Service Interval: Before storage—Charge the battery and disconnect the battery cables.

1. Remove the battery from the chassis; refer to [Removing the Battery](#) (page 35).
2. Charge the battery for a minimum of 1 hour at 6 to 10 A.

Note: Do not overcharge the battery.

3. When the battery is fully charged, unplug the charger from the electrical outlet, then disconnect the charger leads from the battery posts (Figure 43).

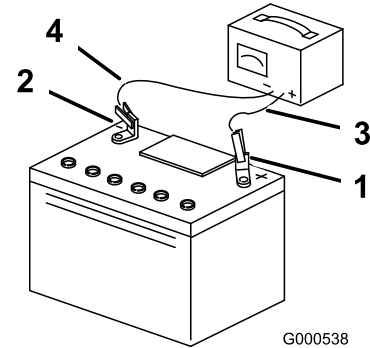


Figure 43

1. Positive (+) battery post
2. Negative (-) battery post
3. Red (+) charger lead
4. Black (-) charger lead

Installing the Battery

1. Position the battery in the tray (Figure 42).
2. Using the fasteners previously removed, install the positive (red) battery cable to the positive (+) battery terminal.
3. Using the fasteners previously removed, install the negative battery cable to the negative (-) battery terminal.
4. Slide the red terminal boot onto the positive (red) battery post.
5. Secure the battery with the hold-down (Figure 42).
6. Lower the seat.

Servicing the Fuses

The electrical system is protected by fuses. It requires no maintenance; however, if a fuse blows, check the component/circuit for a malfunction or short.

Fuse type:

- Main—F1 (25 A, blade-type)
 - Charge Circuit—F2 (15 A, blade-type)
1. Park the machine on a level surface, disengage the blade-control switch, and move the motion-control levers outward to the PARK position.
 2. Shut off the engine, remove the key, and wait for all moving parts to stop before leaving the operating position.
 3. Raise the seat to access the fuses.
 4. To replace a fuse, pull out the fuse to remove it (Figure 44).

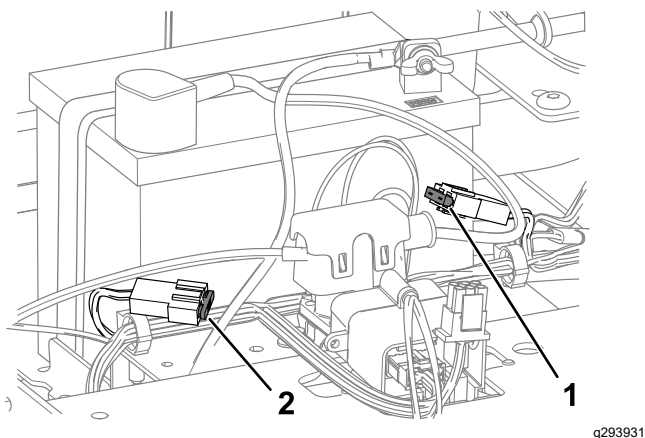


Figure 44

1. Charge circuit (15 A)
2. Main (25 A)

5. Lower the seat.

Drive System Maintenance

Checking the Tire Pressure

Service Interval: Every 25 hours—Check tire pressure.

Maintain the air pressure in the front and rear tires as specified. Uneven tire pressure can cause an uneven cut. Check the pressure at the valve stem (Figure 45). Check the tires when they are cold to get the most accurate pressure reading.

Inflate the front caster wheel tires to 206 kPa (30 psi) or the pressure indicated on the sidewall, whichever is lower.

Inflate the rear drive-wheel tires to 90 kPa (13 psi).

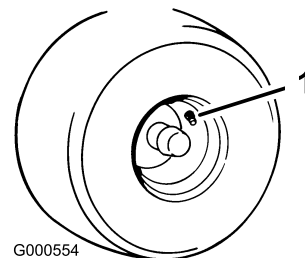


Figure 45

1. Valve stem

Releasing the Electric Brake

You can manually release the electric brake by rotating the link arms forward. Once the electric brake is energized, the brake resets.

1. Turn the key to the OFF position and remove the key.
2. Disconnect the battery.
3. Locate the shaft on the electric brake where the brake link arms are connected (Figure 46).
4. Rotate the shaft to release the brake (Figure 46).
5. Connect the battery after moving the machine.

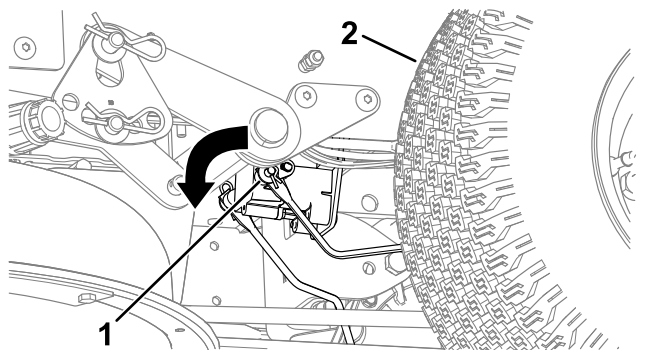


Figure 46

1. Brake-link arm on the electric brake control module
2. Left, rear tire

Adjusting the Tracking

When driving the machine forward full speed across a flat, level surface, if the machine pulls to 1 side, adjust the tracking.

If the machine pulls to the left, adjust the right motion-control lever; if the machine pulls to the right, adjust the left motion-control lever.

Note: You can adjust the tracking only for driving forward.

1. Park the machine on a level surface, disengage the blade-control switch, and move the motion-control levers outward to the PARK position.
2. Shut off the engine, remove the key, and wait for all moving parts to stop before leaving the operating position.
3. Locate the tracking-adjustment bolt near the motion-control lever on the particular side that needs adjusting (Figure 47).

Note: Raise the seat for easier access to the adjustment bolt.

4. Rotate the bolt to decrease the speed for that particular wheel.

Note: Rotate the bolt a small amount to make minor adjustments.

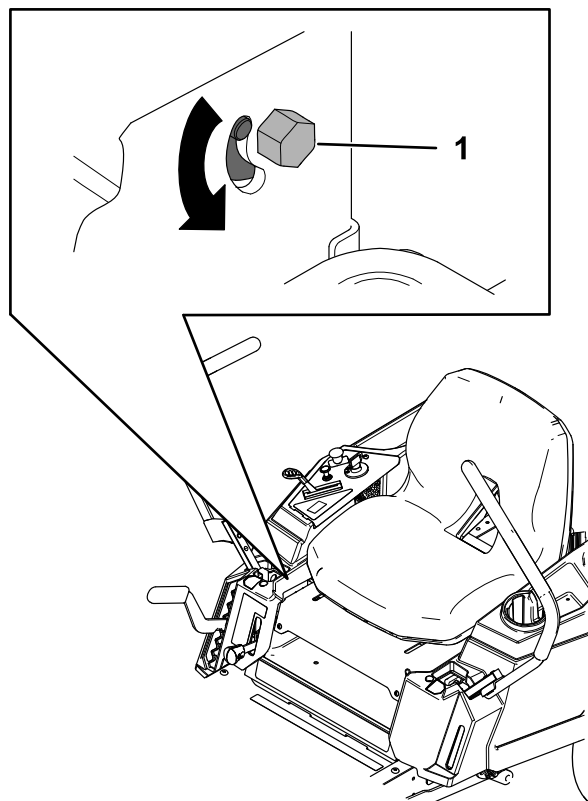


Figure 47

1. Bolt
5. Start the machine and drive forward across a flat, level surface with the motion-control levers fully forward to check if the machine tracks straight. Repeat the procedure as needed.

Belt Maintenance

Inspecting the Belts

Service Interval: Every 25 hours—Check the belts for wear or cracks.

Replace the belt if it is worn. The signs of a worn belt include squealing while the belt is rotating; the blades slipping while cutting grass; and frayed edges, burn marks, and cracks on the belt.

Replacing the Mower Belt

The signs of a worn belt include squealing while the belt is rotating, blades slipping while cutting grass, and frayed edges, burn marks, and cracks on the belt. Replace the mower belt if any of these conditions are evident.

1. Park the machine on a level surface, disengage the blade-control switch, and move the motion-control levers outward to the PARK position.
2. Shut off the engine, remove the key, and wait for all moving parts to stop before leaving the operating position.
3. Set the height of cut at the lowest cutting position (38 mm or 1-1/2 inches).
4. Remove the hairpin cotter and push in the tab on the cover to remove the pulley covers (Figure 48).

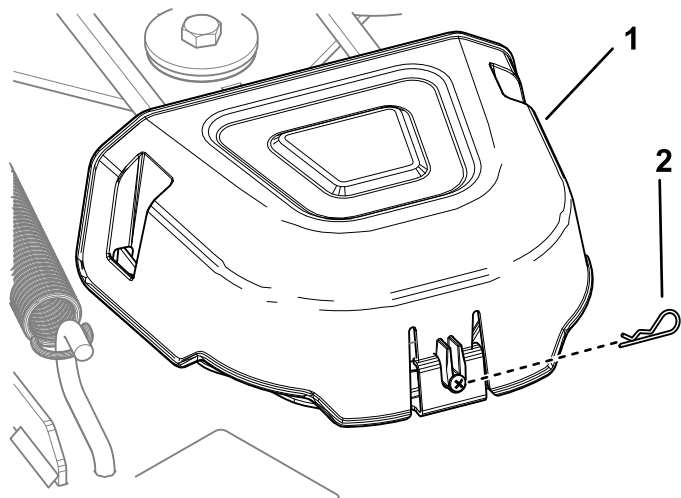


Figure 48

g332328

1. Cover
2. Hairpin cotter

▲ WARNING

The spring is under tension when installed and can cause personal injury.

Be careful when removing the belt.

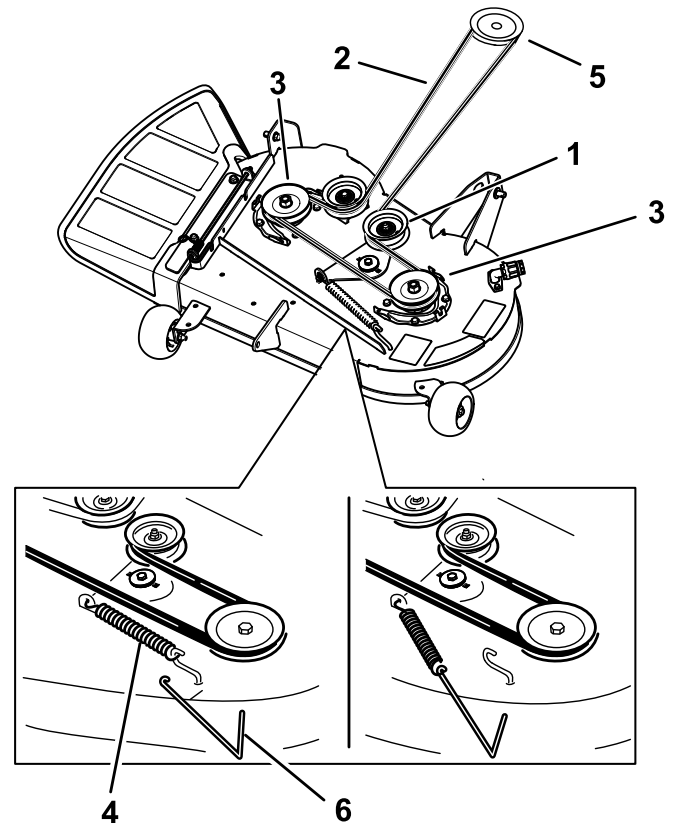


Figure 49

g331295

- | | |
|-------------------|------------------------|
| 1. Idler pulley | 4. Spring |
| 2. Mower belt | 5. Engine pulley |
| 3. Outside pulley | 6. Spring-removal tool |
6. Route the new belt around the engine pulley and mower pulleys (Figure 49).
 7. Using a spring-removal tool (Toro Part No. 92-5771), install the idler spring over the deck hook and place tension on the idler pulley and the mower belt (Figure 49).
 8. Install the pulley covers.

5. Using a spring-removal tool (Toro Part No. 92-5771), remove the idler spring from the deck hook to remove tension on the idler pulley, and roll the belt off the pulleys (Figure 49).

Mower Maintenance

Blade Safety

- Inspect the blades periodically for wear or damage.
- Use care when checking the blades. Wrap the blades or wear gloves, and use caution when servicing the blades. Only replace or sharpen the blades; never straighten or weld them.
- On multi-bladed machines, take care as rotating one blade can cause other blades to rotate.
- Replace worn or damaged blades and bolts in sets to preserve balance.

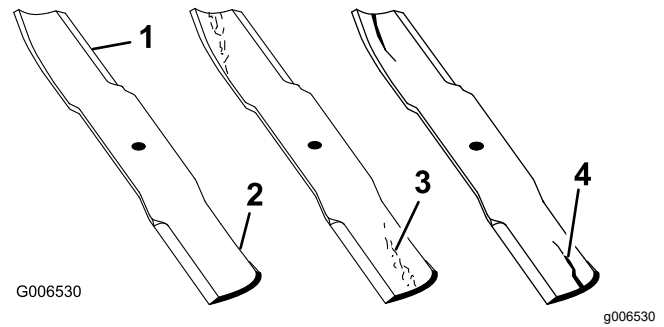


Figure 50

1. Cutting edge
2. Curved area
3. Wear/slot forming
4. Crack

Servicing the Cutting Blades

To ensure a superior quality of cut, keep the blades sharp. For convenient sharpening and replacement, keep extra blades on hand.

Before Inspecting or Servicing the Blades

1. Park the machine on a level surface, disengage the blade-control switch, and move the motion-control levers outward to the PARK position.
2. Shut off the engine, remove the key, and disconnect the spark-plug wires from the spark plugs.

Inspecting the Blades

Service Interval: Before each use or daily

1. Inspect the cutting edges (Figure 50).
2. If the edges are not sharp or have nicks, remove and sharpen the blade; refer to [Sharpening the Blades](#) (page 42).
3. Inspect the blades, especially in the curved area.
4. If you notice any cracks, wear, or a slot forming in this area, immediately install a new blade (Figure 50).

Checking for Bent Blades

Note: The machine must be on a level surface for the following procedure.

1. Raise the mower deck to the highest height-of-cut position.
2. While wearing thickly padded gloves, or other adequate hand protection, slowly rotate the blade into a position that allows you to measure the distance between the cutting edge and the level surface the machine is on (Figure 51).

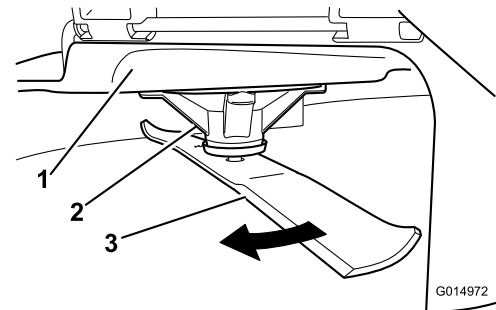


Figure 51

1. Deck
 2. Spindle housing
 3. Blade
3. Measure from the tip of the blade to the flat surface (Figure 52).

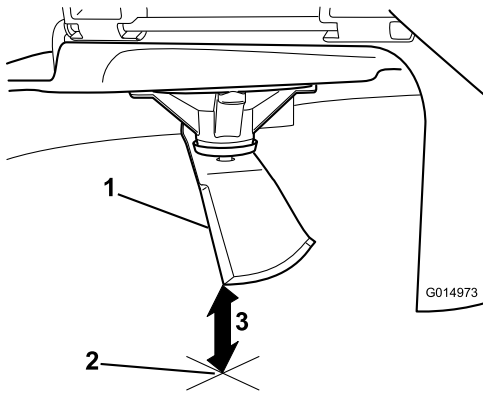


Figure 52

1. Blade (in position for measuring)
2. Level surface
3. Measured distance between blade and the surface (A)

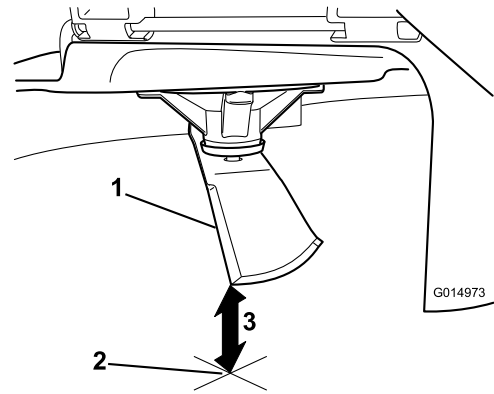


Figure 54

1. Opposite blade edge (in position for measuring)
2. Level surface
3. Second measured distance between blade and surface (B)

4. Rotate the same blade 180 degrees so that the opposing cutting edge is now in the same position (Figure 53).

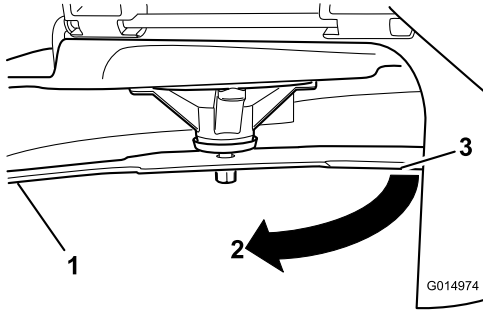


Figure 53

1. Blade (side previously measured)
2. Measurement (position used previously)
3. Opposing side of blade being moved into measurement position

5. Measure from the tip of the blade to the flat surface (Figure 54).

Note: The variance should be no more than 3 mm (1/8 inch).

- A. If the difference between A and B is greater than 3 mm (1/8 inch), replace the blade with a new blade; refer to [Removing the Blades \(page 41\)](#) and [Installing the Blades \(page 42\)](#).

Note: If a bent blade is replaced with a new blade, and the dimension obtained continues to exceed 3 mm (1/8 inch), the blade spindle could be bent. Contact an Authorized Service Dealer for service.

- B. If the variance is within constraints, move to the next blade.

6. Repeat this procedure on each blade.

Removing the Blades

Replace the blades if they hit a solid object, or if the blade is out of balance or bent.

1. Hold the blade end using a rag or thickly padded glove.
2. Remove blade from the spindle shaft.

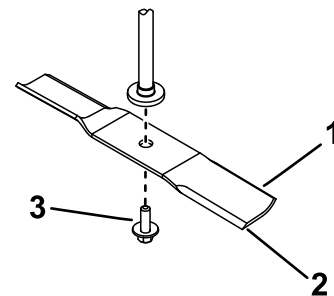


Figure 55

1. Sail area of the blade
2. Blade
3. Blade bolt

Sharpening the Blades

1. Use a file to sharpen the cutting edge at both ends of the blade (Figure 56).

Note: Maintain the original angle.

Note: The blade retains its balance if the same amount of material is removed from both cutting edges.

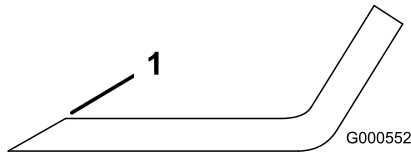


Figure 56

g000552

1. Sharpen at original angle.

2. Check the balance of the blade by putting it on a blade balancer (Figure 57).

Note: If the blade stays in a horizontal position, the blade is balanced and can be used.

Note: If the blade is not balanced, file some metal off the end of the sail area only (Figure 56).

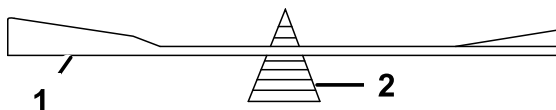


Figure 57

G000553

g000553

1. Blade
2. Balancer

3. Repeat this procedure until the blade is balanced.

Installing the Blades

1. Install the blade onto the spindle shaft.

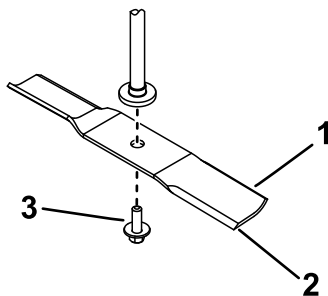


Figure 58

g462553

1. Sail area of the blade
2. Blade
3. Blade bolt

2. Torque the blade bolt to 81 to 108 N·m (60 to 80 ft-lb).

Leveling the Mower Deck

Check to ensure that the mower deck is level any time you install the mower or when you see an uneven cut on your lawn.

Check the mower deck for bent blades prior to leveling, and remove and replace any bent blades; refer to the [Servicing the Cutting Blades \(page 40\)](#) before continuing.

Level the mower deck side-to-side first; then you can adjust the front-to-rear slope.

Requirements:

- The machine must be on a level surface.
- All tires must be properly inflated; refer to [Checking the Tire Pressure \(page 37\)](#).

Checking the Side-to-Side Level

1. Park the machine on a level surface, disengage the blade-control switch (PTO), and move the motion-control levers outward to the PARK position.
2. Shut off the engine, remove the key, and wait for all moving parts to stop before leaving the operating position.
3. Set the height of cut to 76 mm (3 inches).
4. Carefully rotate the blades side to side.
5. Measure between the outside cutting edges and the flat surface (Figure 59).

Note: If both measurements are not within 5 mm (3/16 inch), an adjustment is required; refer to [Leveling from Side to Side \(page 43\)](#).

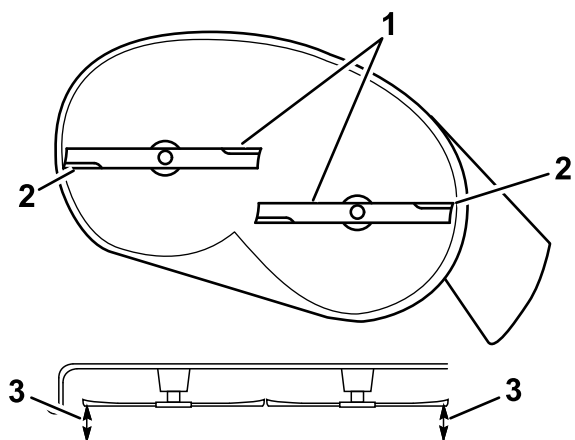


Figure 59

g294044

1. Blades side to side
2. Outside cutting edges
3. Measure from the tip of the blade to the flat surface here.

Checking the Front-to-Rear Blade Slope

Check the front-to-rear blade level any time you install the mower. If the front of the mower is more than 7.9 mm (5/16 inch) lower than the rear of the mower, adjust the blade level.

1. Park the machine on a level surface, disengage the blade-control switch (PTO), and move the motion-control levers outward to the PARK position.
2. Shut off the engine, remove the key, and wait for all moving parts to stop before leaving the operating position.
3. Set the height of cut to 76 mm (3 inches).
4. Carefully rotate the blades so they are facing front to rear (Figure 60).
5. Measure from the tip of the front blade to the flat surface and the tip of the rear blade to the flat surface (Figure 60).

Note: If the front blade tip is not 1.6 to 7.9 mm (1/16 to 5/16 inch) lower than the rear blade tip, continue to the [Checking the Front-to-Rear Blade Slope \(page 43\)](#) procedure.

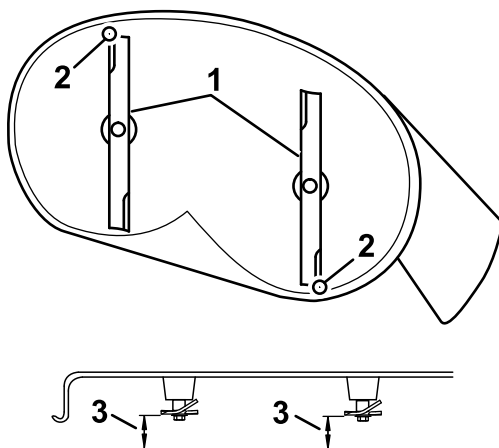


Figure 60

g294046

1. Blades front to rear
2. Outside cutting edges
3. Measure from the tip of the blade to the flat surface here.

4. Place 2 blocks, each having a thickness of 6.6 cm (2-5/8 inches), under each side of the front edge of the deck but not under the anti-scalp roller brackets (Figure 61).
5. Place 2 blocks, each having a thickness of 7.3 cm (2-7/8 inches), under the rear edge of the cutting deck skirt, 1 on each side of the cutting deck (Figure 61).

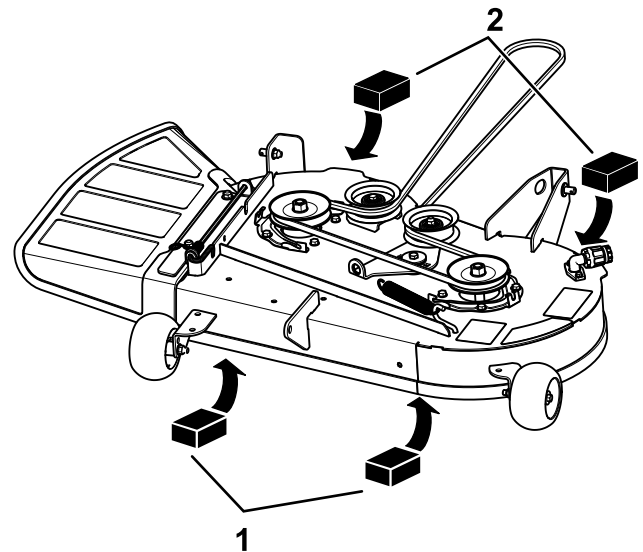


Figure 61

g331321

1. Wood block—6.6 cm (2-5/8 inches) thick
2. Wood block—7.3 cm (2-7/8 inches) thick

6. Remove the hairpin cotter and washer from the lower lift-arm pin (Figure 62).

Leveling from Side to Side

1. Move to the left side of the machine.
2. Set the anti-scalp rollers to the top holes or remove them completely for this procedure; refer to [Adjusting the Anti-Scalp Rollers \(page 23\)](#).
3. Set the height-of-cut lever to the 76 mm (3 inch) position; refer to [Adjusting the Height of Cut \(page 22\)](#).

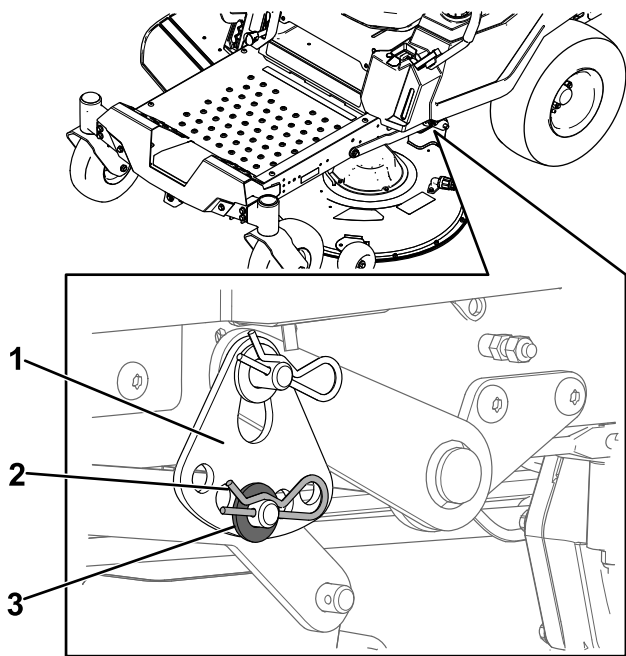


Figure 62

g294197

1. Height-of-cut plate
2. Hairpin cotter
3. Washer

7. Rotate the height-of-cut plate to a different hole so that it supports the weight of the mower deck after you install the plate ([Figure 63](#)).

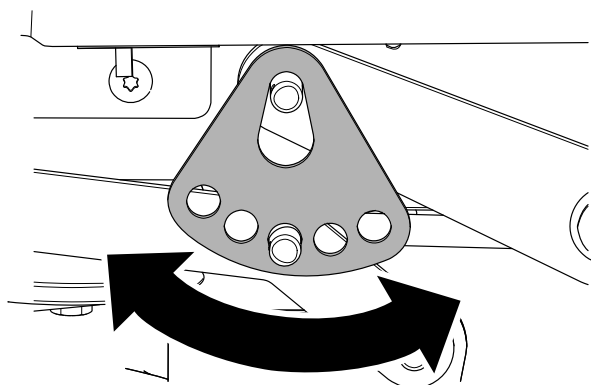


Figure 63

g294195

8. Install the washer and hairpin cotter ([Figure 63](#)).
9. Repeat steps 6 through 8 for the other side of the machine.
10. Check the side-to-side level again; repeat this procedure until the measurements are correct.
11. Continue leveling the mower deck by checking the front-to-rear blade slope; refer to [Checking the Front-to-Rear Blade Slope \(page 43\)](#).

Adjusting the Front-to-Rear Blade Slope

1. Rotate the adjustment nut in the front of the mower ([Figure 64](#)).

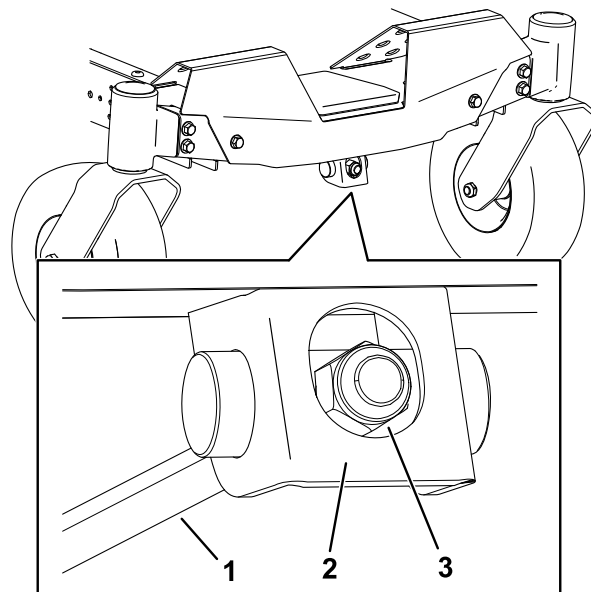


Figure 64

g294471

1. Adjusting rod
2. Adjusting block
3. Adjustment nut

2. To raise the front of the mower deck, tighten the adjustment nut.
3. To lower the front of the mower deck, loosen the adjustment nut.
4. After adjustment, check the front-to-rear slope again, continue adjusting the nut until the front blade tip is 1.6 to 7.9 mm (1/16 to 5/16 inch) lower than the rear blade tip; refer to [Checking the Front-to-Rear Blade Slope \(page 43\)](#).
5. When the front-to-rear blade slope is correct, check the side-to-side level of the mower deck again; refer to [Checking the Side-to-Side Level \(page 42\)](#).

Removing the Mower Deck

1. Park the machine on a level surface, disengage the blade-control switch (PTO), and move the motion-control levers outward to the PARK position.
2. Shut off the engine, remove the key, and wait for all moving parts to stop before leaving the operating position.
3. Lower the height-of-cut lever to the lowest position.

- Remove the hairpin cotter from the front support rod, and remove the rod from the deck bracket (Figure 65).

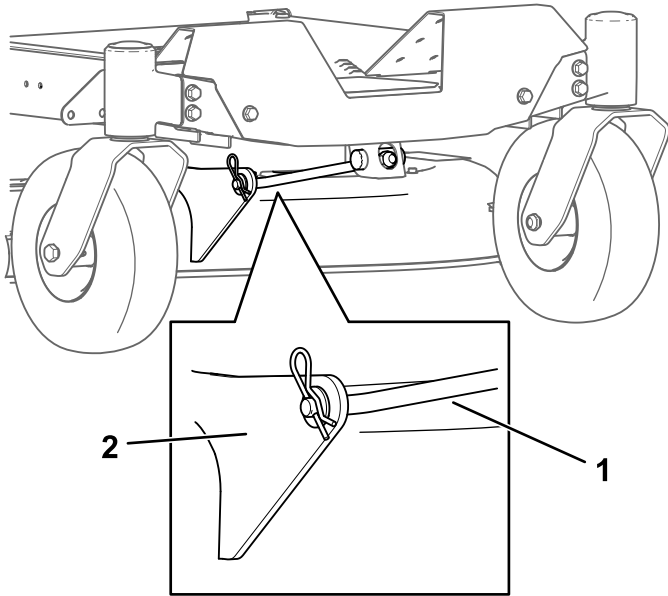


Figure 65

g366001

- Front support rod
- Deck bracket

- Carefully lower the front of the mower deck to the ground.
- On 1 side of the machine, remove the washer and hairpin cotter from the deck pin (Figure 66).

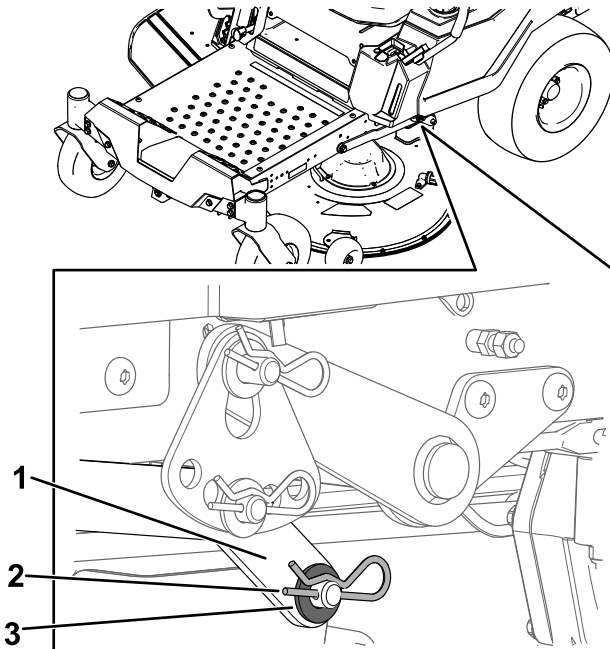


Figure 66

g295768

- Lift arm
- Hairpin cotter
- Washer

- Remove the lift arm from the deck pin (Figure 66).
- Repeat steps 6 and 7 for the other side of the machine.
- Slide the mower deck rearward to remove the mower belt from the engine pulley.
- Slide the mower deck out from underneath the machine.

Note: Retain all parts for future installation.

Installing the Mower Deck

- Park the machine on a level surface, disengage the blade-control switch (PTO), and move the motion-control levers outward to the PARK position.
- Shut off the engine, remove the key, and wait for all moving parts to stop before leaving the operating position.
- Slide the mower under the machine.
- Lower the height-of-cut lever to the lowest position.
- On 1 side of the machine, lift the rear of the mower deck and install the lift arm to the deck pin (Figure 66).
- Install the lift arm using the washer and hairpin cotter (Figure 66).
- Repeat steps 5 and 6 for the other side of the machine.
- Attach the front support rod to the mower deck with the clevis pin and hairpin cotter (Figure 65).
- Install the mower belt onto the engine pulley; refer to [Replacing the Mower Belt \(page 39\)](#).

Replacing the Grass Deflector

Service Interval: Before each use or daily—Inspect the grass deflector for damage.

⚠ WARNING

An uncovered discharge opening could allow the machine to throw objects toward you or bystanders, resulting in serious injury. Also, contact with the blade could occur.

Never operate the machine unless you install a mulch plate, discharge deflector, or grass collection system.

Machines with 34in Mower Decks

1. Disengage the spring and slide the rod out of the welded deck brackets, spring, and discharge deflector (Figure 67).

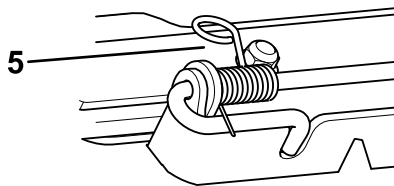
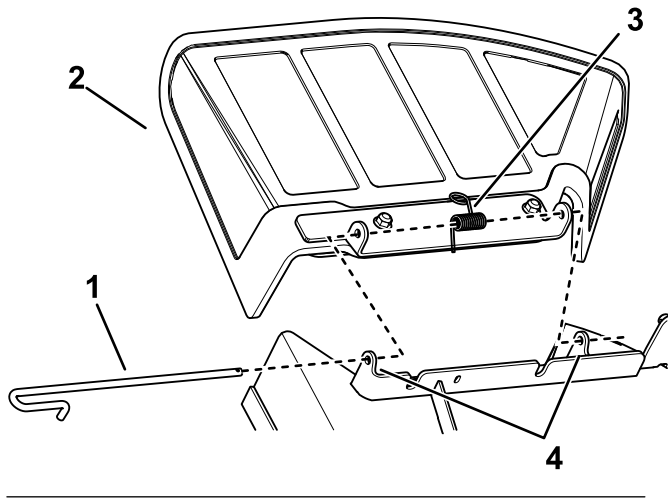


Figure 67

g332166

- | | |
|--------------|----------------------------------|
| 1. Rod | 4. Deck brackets |
| 2. Spring | 5. Spring installed over the rod |
| 3. Deflector | |

2. Remove the damaged or worn discharge deflector.
3. Position the new discharge deflector with the bracket ends between the welded brackets on the deck and install the rod and spring as shown in Figure 67.

Note: Position the spring on the rod as shown so that the shorter spring end comes from under the rod before the bend and goes over the rod as it returns from the bend.

4. Place the end of the rod in the notch of the bracket (Figure 67).

Important: The grass deflector must be spring loaded in the down position. Lift the deflector up to test that it snaps to the full down position.

Machines with 42in Mower Decks

1. Remove the nut (3/8 inch) from the rod under the mower (Figure 68).

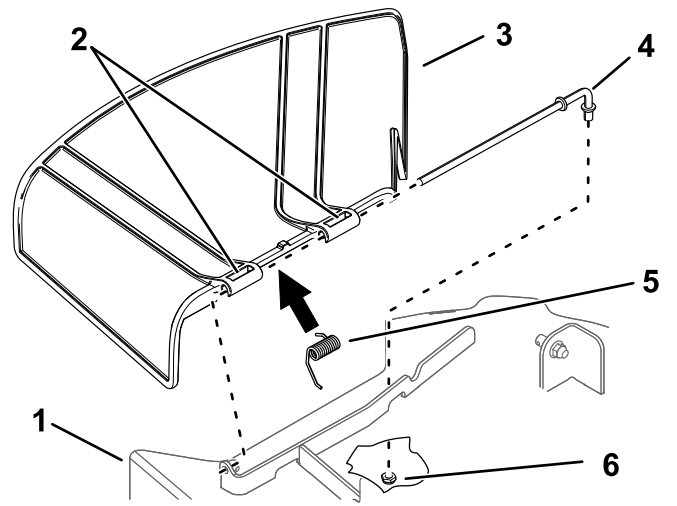


Figure 68

g296957

- | | |
|--------------------------|-------------------|
| 1. Mower deck | 4. Rod |
| 2. Grass-deflector pivot | 5. Spring |
| 3. Grass deflector | 6. Nut (3/8 inch) |

2. Slide the rod out of the deck bracket, spring, and grass deflector (Figure 68).
3. Remove the damaged or worn grass deflector.
4. Install the new grass deflector (Figure 68).
5. Slide the straight end of the rod through the rear grass deflector pivot.
6. Place the spring on the rod, with end wires down, and between the grass deflector brackets.
7. Slide the rod through the second grass-deflector pivot (Figure 68).
8. Insert the rod at the front of the grass deflector into the bracket on the deck.
9. Secure the rear end of the rod into the mower with a nut (3/8 inch) as shown in Figure 68.

Important: The grass deflector must be spring-loaded in the down position. Lift the deflector up to test that it snaps into the full-down position.

Cleaning

Washing the Underside of the Mower Deck

Service Interval: After each use

Important: You can wash the machine with a mild detergent and water. Do not pressure wash the machine. Avoid excessive use of water, especially near the control panel, under the seat, around the engine, hydraulic pumps, and motors.

Wash the underside of the mower deck after each use to prevent grass buildup for improved mulch action and clipping dispersal.

1. Park the machine on a level surface, disengage the blade-control switch (PTO), and move the motion-control levers outward to the PARK position.
2. Shut off the engine, remove the key, and wait for all moving parts to stop before leaving the operating position.
3. Attach the hose coupling to the end of the mower washout fitting, and turn the water on high (Figure 69).

Note: Spread petroleum jelly on the washout fitting O-ring to make the coupling slide on easier and protect the O-ring.

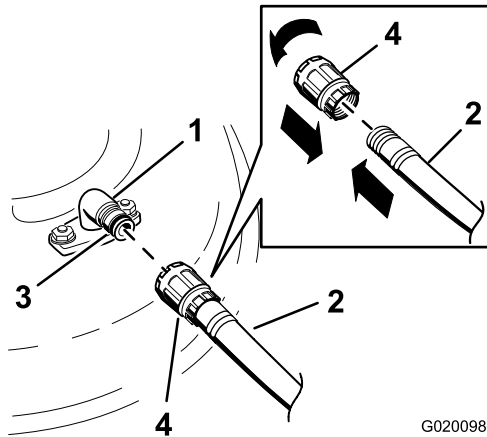


Figure 69

- | | |
|--------------------|-------------|
| 1. Washout fitting | 3. O-ring |
| 2. Hose | 4. Coupling |

4. Lower the mower to the lowest height-of-cut.
5. Sit on the seat and start the engine.
6. Engage the blade-control switch and let the mower run for 1 to 3 minutes.
7. Disengage the blade-control switch, shut off the engine, remove the key, and wait for all moving parts to stop.

8. Turn the water off and remove the coupling from the washout fitting.

Note: If the mower is not clean after 1 washing, soak it and let it stand for 30 minutes. Then repeat the process.

9. Run the mower again for 1 to 3 minutes to remove excess water.

⚠ WARNING

A broken or missing washout fitting could expose you and others to thrown objects or blade contact. Contact with a blade or thrown debris can cause injury or death.

- **Replace broken or missing washout fitting immediately, before using machine again.**
- **Never put your hands or feet under the mower or through openings in the machine.**

Disposing of Waste

Engine oil, batteries, hydraulic fluid, and engine coolant are pollutants to the environment. Dispose of these according to your state and local regulations.

Storage

Storage Safety

- Shut off the engine, remove the key, and wait for all moving parts to stop before you leave the operator's position. Allow the machine to cool before adjusting, servicing, cleaning, or storing it.
- Do not store the machine or fuel near flames or drain the fuel indoors or inside an enclosed trailer.
- Do not store the machine or fuel container where there is an open flame, spark, or pilot light, such as on a water heater or on other appliances.

Cleaning and Storage

1. Park the machine on a level surface, disengage the blade-control switch (PTO), and move the motion-control levers outward to the PARK position.
2. Shut off the engine, remove the key, and wait for all moving parts to stop before leaving the operating position.
3. Remove grass clippings, dirt, and grime from the external parts of the entire machine, especially the engine and hydraulic system. Clean dirt and chaff from the outside of the engine cylinder-head fins and blower housing.

Important: You can wash the machine with mild detergent and water. Do not pressure-wash the machine. Avoid excessive use of water, especially near the control panel, engine, hydraulic pumps, and motors.

4. Check the parking brake operation; refer to [Park Position \(page 11\)](#).
5. Service the air cleaner; refer to [Servicing the Air Cleaner \(page 30\)](#).
6. Grease the machine; refer to [Lubrication \(page 29\)](#).
7. Change the crankcase oil; refer to [Engine Maintenance \(page 30\)](#).
8. Check the tire pressure; refer to [Checking the Tire Pressure \(page 37\)](#).
9. Charge the battery; refer to [Charging the Battery \(page 36\)](#).
10. If storing the machine with the battery installed, disconnect the negative (black) cable from the battery.
11. Scrape any heavy buildup of grass and dirt from the underside of the mower, then wash the machine with a garden hose.

Note: Run the machine with the blade-control switch (PTO) engaged and the engine at high idle for 2 to 5 minutes after washing.

12. Check the condition of the blades; refer to [Servicing the Cutting Blades \(page 40\)](#).
13. Prepare the machine for storage for over 30 days as follows:
 - A. Add fuel stabilizer/conditioner to fresh fuel in the tank. Follow mixing instructions from the fuel stabilizer manufacturer. Do not use an alcohol-based stabilizer (ethanol or methanol).
 - B. Run the engine to distribute conditioned fuel through the fuel system for 5 minutes.
 - C. Shut off the engine, allow it to cool, and drain the fuel tank using a pump type syphon or operate engine until it shuts off.
 - D. Dispose of fuel properly. Recycle the fuel according to local codes.

Important: Do not store fuel containing stabilizer/conditioner longer than the duration recommended by the fuel-stabilizer manufacturer.

14. Remove and check the condition of the spark plug(s); refer to [Servicing the Spark Plug \(page 33\)](#). With the spark plug(s) removed from the engine, pour 30 ml (2 tablespoons) of engine oil into the spark plug hole. Use the starter to crank the engine and distribute the oil inside the cylinder. Install the spark plug(s). Do not install the wire on the spark plug(s).
15. Check and tighten all fasteners. Repair or replace any part that is damaged.
16. Paint all scratched or bare metal surfaces. Paint is available from your Authorized Service Dealer.
17. Store the machine in a clean, dry garage or storage area. Remove the key from the switch and keep it out of reach of children or other unauthorized users. Cover the machine to protect it and keep it clean.

Storing the Battery

1. Fully charge the battery.
2. Let the battery rest for 24 hours, then check the battery voltage.
Note: If the battery voltage is below 12.6 V, repeat steps 1 and 2.
3. Disconnect the cables from the battery.
4. Check the voltage periodically to ensure that the voltage is 12.4 V or higher.

Note: If the battery voltage is below 12.4 V, repeat steps 1 and 2.

Battery Storage Tips

If you are storing the battery outside the machine, do the following:

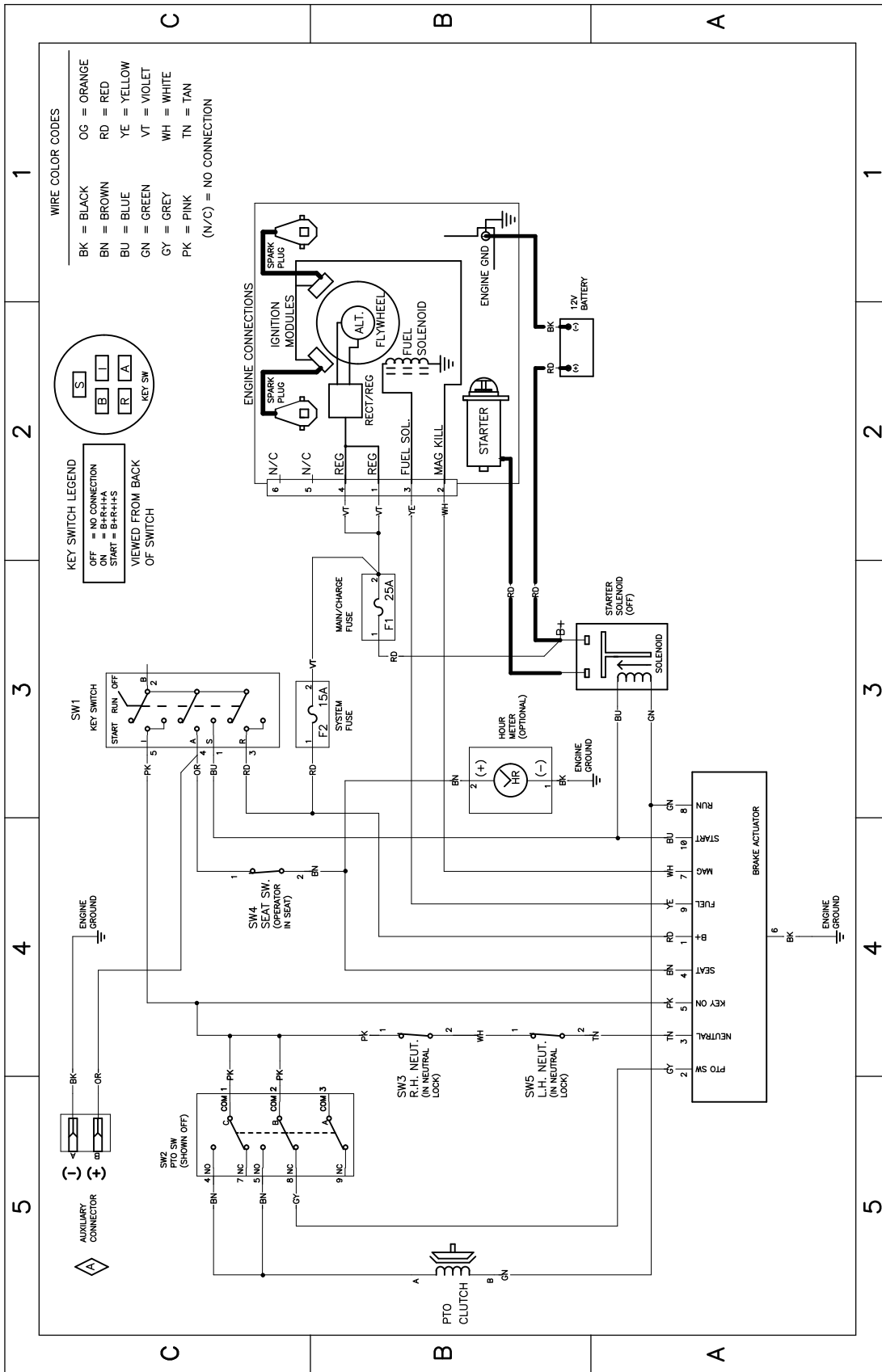
- Store the battery in a cool, dry area in an upright position.
- Do not stack batteries directly on top of each other, unless they are in cartons.
- Do not stack more than 3 batteries (only 2 if the battery type is commercial).
- Test a wet battery every 4 to 6 months and charge it, if necessary.
- Always test and charge the battery before installation.

Troubleshooting

Problem	Possible Cause	Corrective Action
The fuel tank is showing signs of collapsing or the machine is frequently showing signs of running out of fuel.	1. The air-cleaner paper element clogged.	1. Clean the paper element.
The engine overheats.	1. The engine load is excessive. 2. The oil level in the crankcase is low. 3. The cooling fins and air passages under the engine-blower housing are plugged. 4. The air cleaner is dirty. 5. Dirt, water, or stale fuel is in the fuel system.	1. Reduce the ground speed. 2. Add oil to the crankcase. 3. Remove the obstruction from the cooling fins and air passages. 4. Clean or replace the air-cleaner element. 5. Contact an Authorized Service Dealer
The starter does not crank.	1. The blade-control switch is engaged. 2. The motion-control levers are not in the PARK position. 3. The battery is dead. 4. The electrical connections are corroded or loose. 5. A fuse is blown. 6. A relay or switch is damaged.	1. Disengage the blade-control switch. 2. Move the motion-control levers outward to the PARK position. 3. Charge the battery. 4. Check the electrical connections for good contact. 5. Replace the fuse. 6. Contact an Authorized Service Dealer.
The engine does not start, starts hard, or fails to keep running.	1. The fuel tank is empty. 2. The choke (if applicable) is not on. 3. The air cleaner is dirty. 4. The spark-plug wire(s) is loose or disconnected. 5. The spark plug(s) is pitted, fouled, or the gap is incorrect. 6. There is dirt in fuel filter. 7. Dirt, water, or stale fuel is in fuel system. 8. There is incorrect fuel in the fuel tank. 9. The oil level in the crankcase is low.	1. Fill the fuel tank. 2. Move the choke lever to the ON position. 3. Clean or replace the air-cleaner element. 4. Install the wire(s) on the spark plug. 5. Install a new, correctly gapped spark plug(s). 6. Replace the fuel filter. 7. Contact an Authorized Service Dealer. 8. Drain the tank and replace the fuel with the proper type. 9. Add oil to the crankcase.
The engine loses power.	1. The engine load is excessive. 2. The air cleaner is dirty. 3. The oil level in the crankcase is low. 4. The cooling fins and air passages under the engine blower housing are plugged. 5. The spark plug(s) is pitted, fouled, or the gap is incorrect. 6. The fuel-tank vent is blocked. 7. There is dirt in the fuel filter. 8. Dirt, water, or stale fuel is in the fuel system. 9. There is incorrect fuel in the fuel tank.	1. Reduce the ground speed. 2. Clean the air-cleaner element. 3. Add oil to the crankcase. 4. Remove the obstruction from the cooling fins and air passages. 5. Install a new, correctly gapped spark plug(s). 6. Contact an Authorized Service Dealer. 7. Replace the fuel filter. 8. Contact an Authorized Service Dealer. 9. Contact an Authorized Service Dealer.

Problem	Possible Cause	Corrective Action
The machine does not drive.	<ol style="list-style-type: none"> 1. The bypass valves are open. 2. The traction belts are worn, loose, or broken. 3. The traction belts are off the pulleys. 4. The transmission has failed. 	<ol style="list-style-type: none"> 1. Close the tow valves. 2. Contact an Authorized Service Dealer. 3. Contact an Authorized Service Dealer. 4. Contact an Authorized Service Dealer.
The machine vibrates abnormally.	<ol style="list-style-type: none"> 1. The cutting blade(s) is/are bent or unbalanced. 2. The blade mounting bolt is loose. 3. The engine mounting bolts are loose. 4. The engine pulley, idler pulley, or blade pulley is loose. 5. The engine pulley is damaged. 6. The blade spindle is bent. 7. The motor mount is loose or worn. 	<ol style="list-style-type: none"> 1. Install new cutting blade(s). 2. Tighten the blade mounting bolt. 3. Tighten the engine mounting bolts. 4. Tighten the appropriate pulley. 5. Contact an Authorized Service Dealer. 6. Contact an Authorized Service Dealer. 7. Contact an Authorized Service Dealer.
The cutting height is uneven.	<ol style="list-style-type: none"> 1. The blade(s) is not sharp. 2. A cutting blade(s) is/are bent. 3. The mower is not level. 4. An anti-scalp roller (if applicable) is not set correctly. 5. The underside of the mower deck is dirty. 6. The tire pressure is incorrect. 7. A blade spindle is bent. 	<ol style="list-style-type: none"> 1. Sharpen the blade(s). 2. Install a new cutting blade(s). 3. Level the mower from side-to-side and front-to-rear. 4. Adjust the anti-scalp wheel height. 5. Clean the underside of the mower deck. 6. Adjust the tire pressure. 7. Contact an Authorized Service Dealer.
The blades do not rotate.	<ol style="list-style-type: none"> 1. The drive belt is worn, loose or broken. 2. The drive belt is off of the pulley. 3. The power-takeoff (PTO) switch or PTO clutch is faulty. 4. The mower belt is worn, loose, or broken. 	<ol style="list-style-type: none"> 1. Install a new drive belt. 2. Install the drive belt and check the adjusting shafts and belt guides for the correct position. 3. Contact an Authorized Service Dealer. 4. Install a new mower belt.

Schematics



Electrical Diagram—139-2356 (Rev. A)

g307974

Notes:

California Proposition 65 Warning Information

What is this warning?

You may see a product for sale that has a warning label like the following:



WARNING: Cancer and Reproductive Harm—www.p65Warnings.ca.gov.

What is Prop 65?

Prop 65 applies to any company operating in California, selling products in California, or manufacturing products that may be sold in or brought into California. It mandates that the Governor of California maintain and publish a list of chemicals known to cause cancer, birth defects, and/or other reproductive harm. The list, which is updated annually, includes hundreds of chemicals found in many everyday items. The purpose of Prop 65 is to inform the public about exposure to these chemicals.

Prop 65 does not ban the sale of products containing these chemicals but instead requires warnings on any product, product packaging, or literature with the product. Moreover, a Prop 65 warning does not mean that a product is in violation of any product safety standards or requirements. In fact, the California government has clarified that a Prop 65 warning "is not the same as a regulatory decision that a product is 'safe' or 'unsafe.'" Many of these chemicals have been used in everyday products for years without documented harm. For more information, go to <https://oag.ca.gov/prop65/faqs-view-all>.

A Prop 65 warning means that a company has either (1) evaluated the exposure and has concluded that it exceeds the "no significant risk level"; or (2) has chosen to provide a warning based on its understanding about the presence of a listed chemical without attempting to evaluate the exposure.

Does this law apply everywhere?

Prop 65 warnings are required under California law only. These warnings are seen throughout California in a wide range of settings, including but not limited to restaurants, grocery stores, hotels, schools, and hospitals, and on a wide variety of products. Additionally, some online and mail order retailers provide Prop 65 warnings on their websites or in catalogs.

How do the California warnings compare to federal limits?

Prop 65 standards are often more stringent than federal and international standards. There are various substances that require a Prop 65 warning at levels that are far lower than federal action limits. For example, the Prop 65 standard for warnings for lead is 0.5 µg/day, which is well below the federal and international standards.

Why don't all similar products carry the warning?

- Products sold in California require Prop 65 labelling while similar products sold elsewhere do not.
- A company involved in a Prop 65 lawsuit reaching a settlement may be required to use Prop 65 warnings for its products, but other companies making similar products may have no such requirement.
- The enforcement of Prop 65 is inconsistent.
- Companies may elect not to provide warnings because they conclude that they are not required to do so under Prop 65; a lack of warnings for a product does not mean that the product is free of listed chemicals at similar levels.

Why does Toro include this warning?

Toro has chosen to provide consumers with as much information as possible so that they can make informed decisions about the products they buy and use. Toro provides warnings in certain cases based on its knowledge of the presence of one or more listed chemicals without evaluating the level of exposure, as not all the listed chemicals provide exposure limit requirements. While the exposure from Toro products may be negligible or well within the "no significant risk" range, out of an abundance of caution, Toro has elected to provide the Prop 65 warnings. Moreover, if Toro does not provide these warnings, it could be sued by the State of California or by private parties seeking to enforce Prop 65 and subject to substantial penalties.



Count on it.

Manual del operador

**Cortacésped de asiento
TimeCutter® de 86 cm o 107 cm
(34" o 42")**

Nº de modelo 77301—Nº de serie 40000000 y superiores

Nº de modelo 77404—Nº de serie 40000000 y superiores



El uso o la operación del motor en cualquier terreno forestal, de monte o cubierto de hierba a menos que el motor esté equipado con parachispas (conforme a la definición de la sección 4442) mantenido en buenas condiciones de funcionamiento, o que el motor haya sido fabricado, equipado y mantenido para la prevención de incendios, constituye una infracción de la legislación de California (California Public Resource Code Section 4442 o 4443).

Par bruto o neto: el par bruto o neto de este motor fue calculada por el fabricante del motor con arreglo a lo estipulado en el documento J1940 o J2723 de la Society of Automotive Engineers (Sociedad de Ingenieros del Automóvil - SAE). Debido a que el motor está configurado para cumplir los requisitos de seguridad, emisiones y operación, su potencia real en este tipo de cortacésped será significativamente menor. Consulte la información del fabricante del motor incluida con la máquina.

El Manual del propietario del motor adjunto ofrece información sobre las normas de la U.S. Environmental Protection Agency (EPA) y de la California Emission Control Regulation sobre sistemas de emisiones, mantenimiento y garantía. Puede solicitarse un manual nuevo al fabricante del motor.

⚠ ADVERTENCIA

CALIFORNIA

Advertencia de la Propuesta 65

Los gases de escape de este producto contienen productos químicos que el Estado de California sabe que causan cáncer, defectos congénitos u otros peligros para la reproducción.

Los bornes, terminales y otros accesorios de la batería contienen plomo y compuestos de plomo, productos químicos reconocidos por el Estado de California como causantes de cáncer y daños reproductivos. Lávese las manos después de manejar el material.

El uso de este producto puede provocar la exposición a sustancias químicas que el Estado de California considera causantes de cáncer, defectos congénitos u otros trastornos del sistema reproductor.

Introducción

Este cortacésped de asiento de cuchillas rotativas está diseñado para ser usado por usuarios domésticos en aplicaciones residenciales. Está diseñado principalmente para segar césped bien mantenido. El uso de este producto para otros propósitos que los previstos podría ser peligroso para usted y para otras personas.

Lea este manual detenidamente para aprender a utilizar y mantener correctamente su producto, y para evitar lesiones y daños al producto. Usted es responsable de utilizar el producto de forma correcta y segura.

Visite www.Toro.com para buscar materiales de formación y seguridad o información sobre accesorios, para localizar un distribuidor o para registrar su producto.

Cuando necesite asistencia técnica, piezas genuinas Toro o información adicional, póngase en contacto con un Servicio Técnico Autorizado o con Asistencia al Cliente de Toro, y tenga a mano los números de modelo y serie de su producto. La [Figura 1](#) identifica la ubicación de los números de serie y de modelo en el producto. Escriba los números en el espacio provisto.

Importante: Con su dispositivo móvil, puede escanear el código QR de la calcomanía del número de serie (en su caso) para acceder a información sobre la garantía, las piezas, y otra información sobre el producto.

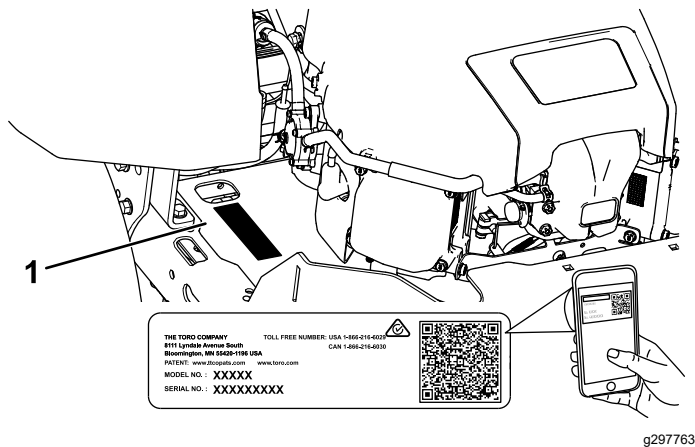


Figura 1

Debajo del asiento

1. Ubicación de los números de modelo y de serie

Anote a continuación los números de modelo y de serie de su producto:

Nº de modelo _____

Nº de serie _____

Este manual utiliza 2 palabras para resaltar información. **Importante** llama la atención sobre información mecánica especial, y **Nota** resalta información general que merece una atención especial.

El símbolo de alerta de seguridad ([Figura 2](#)) aparece tanto en este manual como en la máquina para identificar mensajes de seguridad importantes que debe seguir para evitar accidentes. Este símbolo aparecerá junto a la palabra **Danger (Peligro)**, **Warning (Advertencia)** o **Caution (Cuidado)**.

- **Peligro:** Indica una situación peligrosa inminente, que si no se evita, **causará** la muerte o lesiones graves.
- **Advertencia** indica una situación potencialmente peligrosa que si no se evita, **podría** causar la muerte o lesiones graves.
- **Cuidado** indica una situación potencialmente peligrosa que si no se evita, **podría** causar lesiones menores o moderadas.



Figura 2

sa-black

1. Símbolo de alerta de seguridad

Contenido

Seguridad	5
Seguridad general	5
Indicador de pendientes	6
Pegatinas de seguridad e instrucciones	7
El producto	11
Controles	12
Especificaciones	13
Aperos/Accesorios	13
Antes del funcionamiento	13
Seguridad antes del uso	13
Cómo añadir combustible	14
Mantenimiento diario	15
Rodaje de una máquina nueva	15
Uso del sistema de interruptores de seguridad	15
Colocación del asiento	16
Ajuste de las palancas de control de movimiento	16
Durante el funcionamiento	17

Seguridad durante el uso	17	Retirada de la Carcasa del Cortacésped	50
Uso del mando de control de las cuchillas (TDF)	20	Instalación de la carcasa de corte	51
Uso del acelerador	20	Cambio del deflector de hierba	52
Uso del estárter	20	Limpieza	53
Cómo arrancar el motor	21	Cómo lavar la parte inferior de la carcasa de corte	53
Apagado del motor	22	Eliminación de residuos	54
Uso de las palancas de control de movimiento	23	Almacenamiento	54
Conducción de la máquina	23	Seguridad durante el almacenamiento	54
Uso del sistema de control Smart Speed™	24	Limpieza y almacenamiento	54
Uso de la descarga lateral	25	Cómo almacenar la batería	55
Ajuste de la altura de corte	26	Solución de problemas	56
Ajuste de los rodillos protectores del césped	26	Esquemas	59
Consejos de operación	27		
Después del funcionamiento	28		
Seguridad después del uso	28		
Cómo limpiar la máquina	28		
Empujar la máquina a mano	28		
Transporte de la máquina	29		
Mantenimiento	32		
Seguridad en el mantenimiento	32		
Calendario recomendado de manteni- miento	32		
Procedimientos previos al mantenimiento	33		
Elevación de la máquina	33		
Lubricación	34		
Engrasado de los cojinetes	34		
Mantenimiento del motor	34		
Seguridad del motor	34		
Mantenimiento del limpiador de aire	34		
Mantenimiento del aceite del motor	35		
Mantenimiento de la bujía	38		
Limpieza del sistema de refrigeración	39		
Mantenimiento del sistema de combusti- ble	39		
Cambio del filtro de combustible en línea	39		
Mantenimiento del sistema eléctrico	40		
Seguridad del sistema eléctrico	40		
Mantenimiento de la batería	40		
Mantenimiento de los fusibles	42		
Mantenimiento del sistema de transmi- sión	42		
Comprobación de la presión de los neumáticos	42		
Para quitar el freno eléctrico	43		
Ajuste de la dirección	43		
Mantenimiento de las correas	44		
Inspección de las correas	44		
Sustitución de la correa del cortacésped	44		
Mantenimiento del cortacésped	45		
Seguridad de las cuchillas	45		
Mantenimiento de las cuchillas de corte	45		
Nivelación de la carcasa de corte	48		

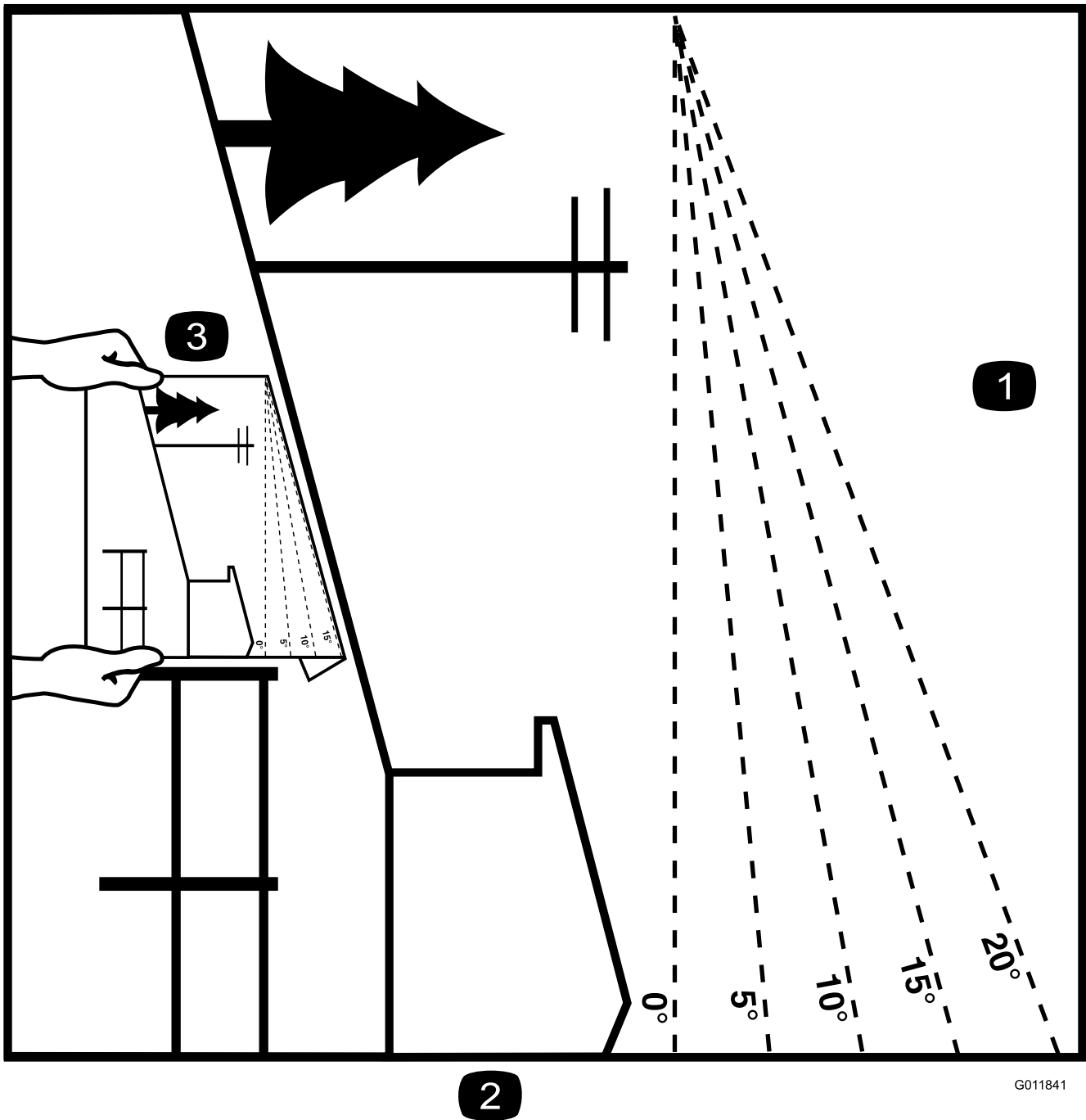
Seguridad

Seguridad general

Este producto es capaz de amputar manos y pies y de lanzar objetos al aire. Siga siempre todas las instrucciones de seguridad con el fin de evitar lesiones personales graves o la muerte.

- Lea y comprenda el contenido de este *Manual del operador* antes de arrancar el motor.
- Mantenga alejadas a otras personas y a niños.
- No deje que la máquina sea utilizada o mantenida por niños o por personas que no hayan recibido la formación adecuada. Sólo permita que manejen o mantengan la máquina personas responsables, formadas, familiarizadas con las instrucciones y físicamente capaces de utilizar la máquina.
- No utilice la máquina cerca de terraplenes, fosas, taludes, agua, u otros peligros, o en pendientes de más de 15°.
- No coloque las manos o los pies cerca de los componentes en movimiento de la máquina.
- No utilice la máquina sin que estén colocados y funcionen correctamente todos los protectores, interruptores de seguridad y otros dispositivos de protección o seguridad.
- Pare el motor, retire la llave y espere a que se detengan todas las piezas en movimiento antes de abandonar el puesto del operador. Deje que se enfríe la máquina antes de hacer trabajos de ajuste, mantenimiento, repostaje, limpieza o almacenamiento.

Indicador de pendientes



2

G011841

g011841

Figura 3

Puede copiar esta página para su uso personal.

1. La pendiente máxima en la que puede utilizar la máquina es de **15 grados**. Utilice el Diagrama de pendientes para determinar el ángulo de una pendiente antes de proseguir. **No utilice esta máquina en pendientes de más de 15 grados**. Doble por la línea correspondiente a la pendiente recomendada.
2. Alinee este borde con una superficie vertical (árbol, edificio, el poste de una valla, etc.).
3. Ejemplo de cómo comparar la pendiente con el borde doblado

Pegatinas de seguridad e instrucciones



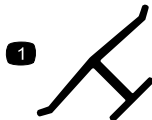
Las pegatinas de seguridad e instrucciones están a la vista del operador y están ubicadas cerca de cualquier zona de peligro potencial. Sustituya cualquier calcomanía que esté dañada o que falte.



Símbolos de la batería

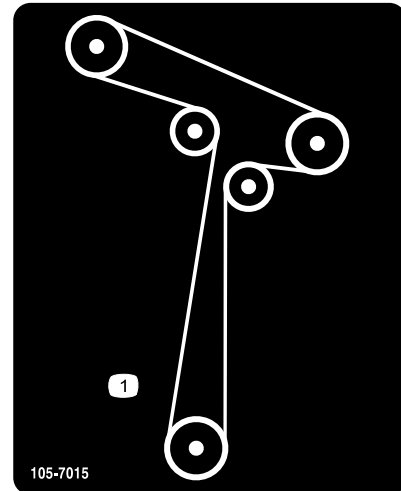
La batería contiene algunos de estos símbolos, o todos ellos.

- | | |
|--|--|
| 1. Riesgo de explosión | 6. Mantenga a otras personas alejadas de la batería. |
| 2. No fumar; mantener alejado del fuego y de las llamas desnudas | 7. Lleve protección ocular; los gases explosivos pueden causar ceguera y otras lesiones. |
| 3. Líquido cáustico/peligro de quemadura química | 8. El ácido de la batería puede causar ceguera o quemaduras graves. |
| 4. Lleve protección ocular. | 9. Enjuague los ojos inmediatamente con agua y busque rápidamente ayuda médica. |
| 5. Lea el <i>Manual del operador</i> . | 10. Contiene plomo; no tirar a la basura |



Marca del fabricante

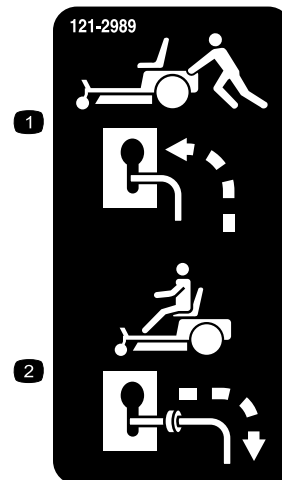
- Esta marca indica que la cuchilla se ha identificado como pieza del fabricante original de la máquina.



105-7015

decal105-7015

- Enrutado de la correa



121-2989

decal121-2989b

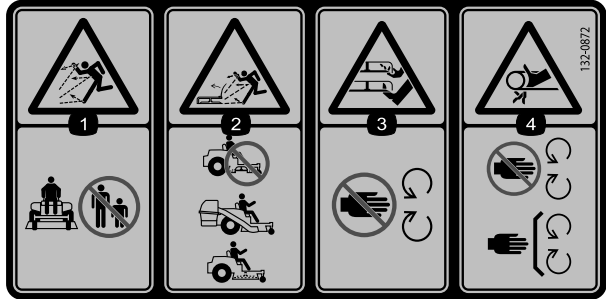
- Posición de la palanca de desvío para empujar la máquina
- Posición de la palanca de desvío para operar la máquina



decal130-0731

130-0731

1. Advertencia – peligro de objetos arrojados; mantenga colocado el deflector.
2. Peligro de corte de mano o pie, cuchilla del cortacésped – mantenga las manos alejadas de las piezas en movimiento.

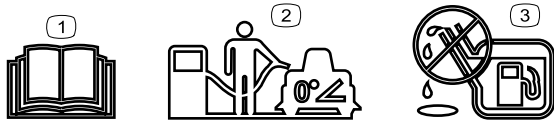


decal132-0872

132-0872

1. Advertencia; peligro de objetos arrojados – mantenga a otras personas alejadas de la máquina.
2. Peligro de objetos arrojados, deflector elevado – no haga funcionar la máquina con la carcasa abierta; utilice un ensacador o un deflector.
3. Peligro de amputación de mano o pie – no se acerque a las piezas en movimiento.
4. Peligro de enredamiento – no se acerque a las piezas en movimiento, mantenga colocados todos los protectores.

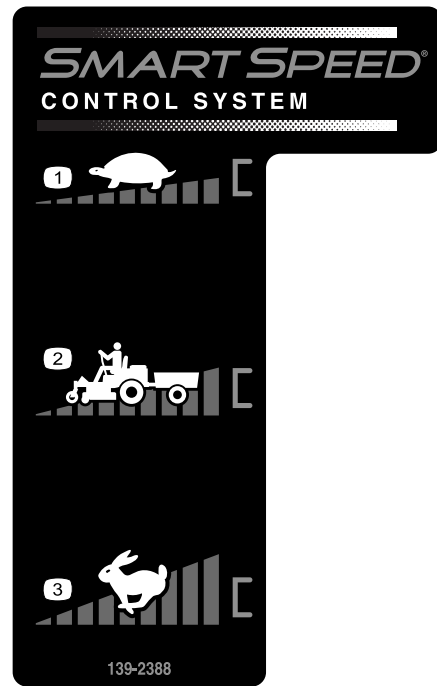
La pegatina 138-6074 forma parte integral del depósito de combustible moldeado.



decal138-2456

138-6074

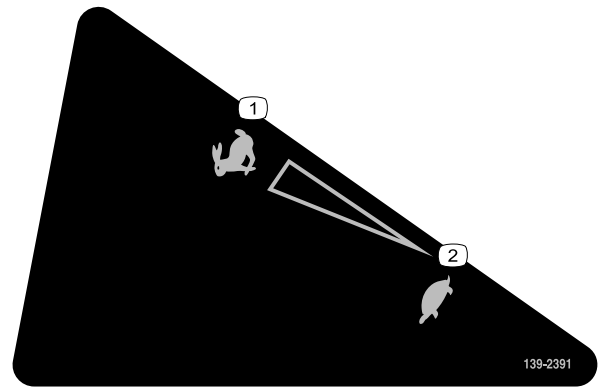
1. Lea el *Manual del operador*.
2. Aparque la máquina en una superficie nivelada antes de llenar el depósito de combustible.
3. No llene demasiado el depósito de combustible.



decal139-2388

139-2388

1. Lento
2. Transporte
3. Rápido



139-2391

decal139-2391

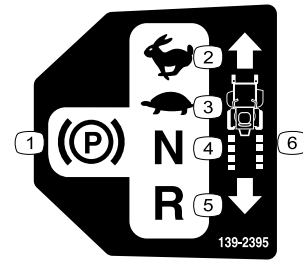
139-2391

1. Rápido
2. Lento



139-2392

decal139-2392



139-2395

decal139-2395

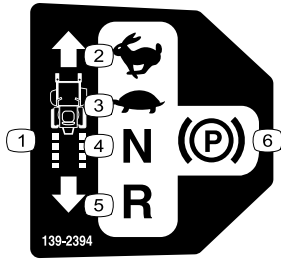
- | | |
|-----------------------------|--------------------------|
| 1. Freno de estacionamiento | 4. Punto muerto |
| 2. Rápido | 5. Hacia atrás |
| 3. Lento | 6. Controles de tracción |

⚠ WARNING: Cancer and Reproductive Harm - www.P65Warnings.ca.gov.
 For more information, please visit www.ticoCAProp65.com
CALIFORNIA SPARK ARRESTER WARNING
 Operation of this equipment may create sparks that can start fires around dry vegetation. A spark arrester may be required. The operator should contact local fire agencies for laws or regulations relating to fire prevention requirements.

142-5864

142-5864

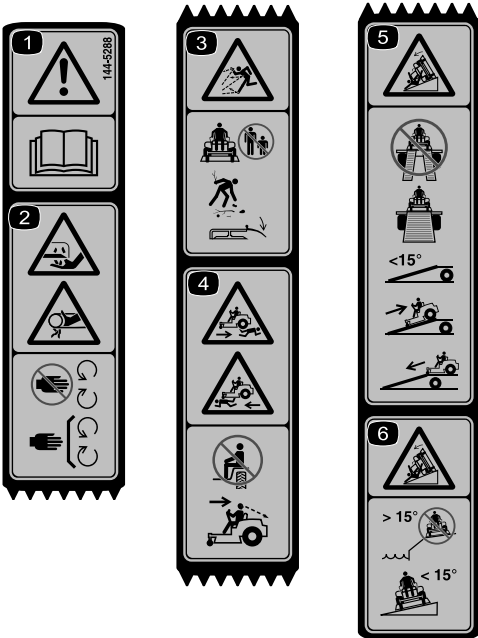
decal142-5864



139-2394

decal139-2394

- | | |
|--------------------------|-----------------------------|
| 1. Controles de tracción | 4. Punto muerto |
| 2. Rápido | 5. Hacia atrás |
| 3. Lento | 6. Freno de estacionamiento |



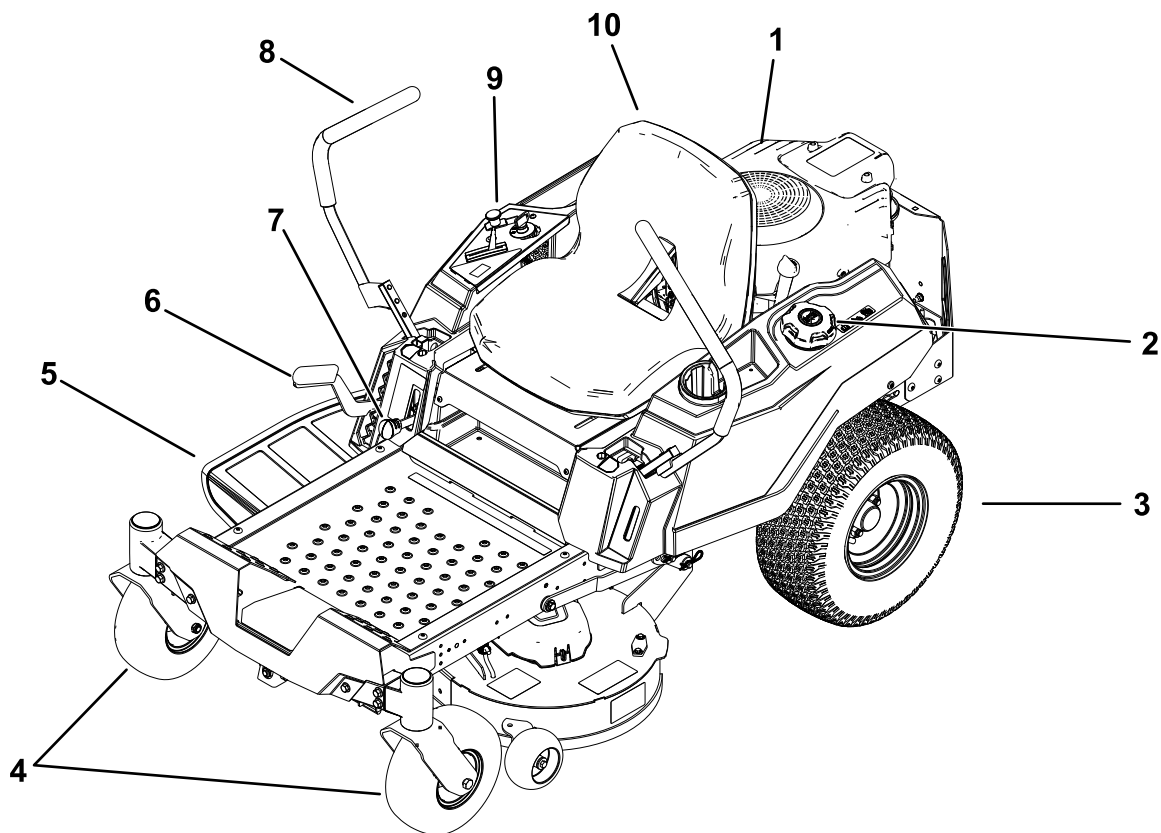
decal144-5288

144-5288

Nota: Esta máquina cumple la prueba de estabilidad estándar de la industria en las pruebas estáticas laterales y longitudinales con la pendiente máxima recomendada indicada en la pegatina. Revise las instrucciones del *Manual del operador* sobre la operación de la máquina en pendientes, y compruebe las condiciones en las que se va a utilizar la máquina para determinar si la máquina puede utilizarse en las condiciones reinantes en ese día y ese lugar en concreto. Los cambios de terreno pueden necesitar un cambio en el modo de operación de la máquina en pendientes.

- | | |
|---|--|
| <p>1. Advertencia – lea el <i>Manual del operador</i>.</p> | <p>4. Peligro de atropello – no transporte pasajeros; mire hacia atrás mientras conduce en marcha atrás.</p> |
| <p>2. Peligro de corte/desmembramiento de los dedos o la mano – mantenga las manos alejadas de las piezas en movimiento; mantenga colocados todos los protectores y defensas.</p> | <p>5. Peligro de vuelco – al cargar la máquina en un remolque, no utilice dos rampas individuales; utilice únicamente una sola rampa con suficiente anchura para la máquina; no utilice una rampa con pendiente de más de 15°; suba la rampa en marcha atrás y baje la rampa conduciendo hacia adelante.</p> |
| <p>3. Peligro de objetos arrojados – mantenga alejadas a otras personas; recoja cualquier residuo; mantenga colocado el deflector.</p> | <p>6. Peligro de vuelco – no utilice la máquina cerca de taludes o en pendientes de más de 15°; atravesie únicamente pendientes de menos de 15°.</p> |

El producto



g447479

Figura 4

- | | | | |
|--------------------------------------|---|--------------------------------------|--------------------------|
| 1. Motor | 4. Ruedas giratorias delanteras | 7. Palanca Smart Speed™ | 10. Asiento del operador |
| 2. Tapón del depósito de combustible | 5. Deflector | 8. Palancas de control de movimiento | |
| 3. Rueda motriz trasera | 6. Palanca de ajuste de altura de corte | 9. Panel de control | |

Controles

Familiarícese con todos los controles antes de poner en marcha el motor y trabajar con la máquina.

Panel de control

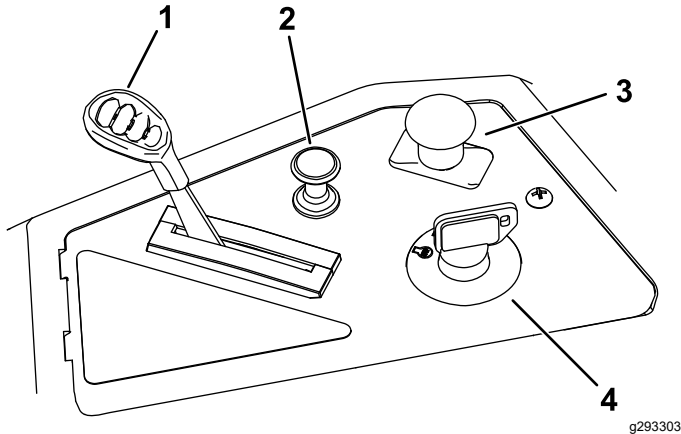


Figura 5

- | | |
|---------------------------|---|
| 1. Control del acelerador | 3. Mando de control de las cuchillas (toma de fuerza) |
| 2. Control del estérter | 4. Interruptor de encendido |

Interruptor de encendido

El interruptor de encendido, que se utiliza para arrancar y apagar el motor, tiene tres posiciones: PARADA, MARCHA y ARRANQUE (Figura 5).

Control del acelerador

El acelerador controla la velocidad del motor y tiene un ajuste variable continuo de LENTO a RÁPIDO (Figura 5).

Control del estérter

Utilice el control del estérter para poner en marcha el motor en frío (Figura 5).

Mando de control de las cuchillas (toma de fuerza)

El mando de control de las cuchillas, representado por un símbolo de toma de fuerza (TDF), engrana y desengrana la transmisión de potencia a las cuchillas del cortacésped (Figura 5).

Palancas de control de movimiento

Las palancas de control de movimiento se utilizan para conducir la máquina hacia adelante, hacia atrás y girarla en ambos sentidos (Figura 4).

Posición de Aparcar

Desplace las palancas hacia fuera desde la posición central a la posición de APARCADO al bajarse de la máquina para activar el freno eléctrico (Figura 19). Ponga siempre las palancas de control de movimiento en posición de APARCAR cuando pare la máquina o antes de dejarla desatendida.

Palanca del sistema de control Smart Speed™

La palanca del sistema de control Smart Speed™, situada debajo del puesto del operador, le permite conducir la máquina en 3 intervalos de velocidad: Perfilar, Remolcar y Segar (Figura 22).

Mirilla de presencia de combustible

Puede utilizar la mirilla de combustible, situada en el lado izquierdo de la máquina para verificar la presencia de combustible en el depósito (Figura 6).

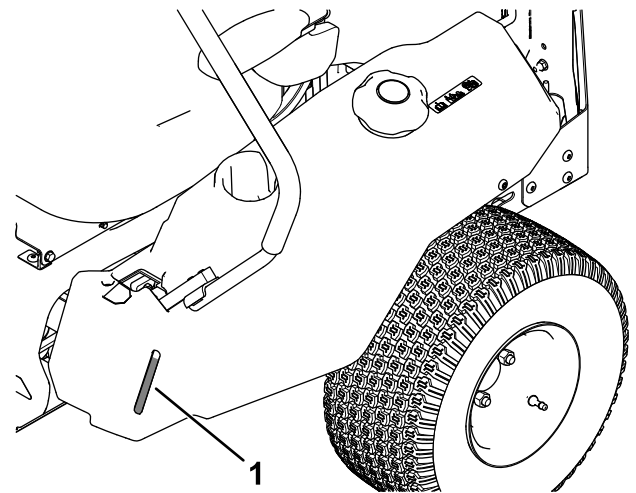


Figura 6

1. Mirilla de presencia de combustible

Palanca de ajuste de altura de corte

La palanca de altura de corte se utiliza para bajar y elevar la carcasa desde su asiento. Cuando levanta la palanca (hacia usted), la carcasa se eleva del suelo, y cuando la baja (alejándola), la carcasa baja al suelo. Ajuste la altura de corte solamente cuando la máquina esté detenida (Figura 23).

Especificaciones

Las especificaciones y diseños están sujetos a modificación sin previo aviso.

	Modelo 77301	Modelo 77404
Anchura de corte	86 cm (34")	107 cm (42")
Anchura con el deflector bajado	114 cm (45")	135 cm (53")
Anchura con el deflector elevado	104 cm (41")	114 cm (45")
Longitud	191 cm (75")	191 cm (75")
Altura	99 cm (39")	104 cm (41")
Peso	225 kg (496 libras)	230 kg (508 libras)

Aperos/Accesorios

Está disponible una selección de aperos y accesorios homologados por Toro que pueden utilizarse con la máquina a fin de potenciar y aumentar sus prestaciones. Póngase en contacto con su Servicio Técnico Autorizado o con su distribuidor autorizado Toro, o visite www.Toro.com para obtener una lista de todos los aperos y accesorios homologados.

Para asegurar un rendimiento óptimo y mantener la certificación de seguridad de la máquina, utilice solamente piezas y accesorios genuinos Toro. Las piezas de repuesto y accesorios de otros fabricantes podrían ser peligrosos, y su uso podría invalidar la garantía del producto.

Operación

Nota: Los lados derecho e izquierdo de la máquina se determinan desde la posición normal del operador.

Antes del funcionamiento

Seguridad antes del uso

Seguridad general

- No deje que la máquina sea utilizada o mantenida por niños o por personas que no hayan recibido la formación adecuada. La normativa local puede imponer límites sobre la edad del operador. El propietario es responsable de proporcionar formación a todos los operadores y mecánicos.
- Inspeccione la zona donde se va a utilizar la máquina, y retire cualquier objeto que pudiera interferir con el funcionamiento de la máquina o que pudiera ser arrojado por la máquina.
- Familiarícese con la operación segura del equipo, los controles del operador y las señales de seguridad.
- Compruebe que los controles de presencia del operador, los interruptores de seguridad y los protectores están instalados y que funcionan correctamente. No utilice la máquina si no funcionan correctamente.
- Pare el motor, retire la llave y espere a que se detengan todas las piezas en movimiento antes de abandonar el puesto del operador. Deje que se enfríe la máquina antes de hacer trabajos de ajuste, mantenimiento, repostaje, limpieza o almacenamiento.
- Antes de segar, inspeccione la máquina para asegurarse de que los conjuntos de corte funcionan correctamente.
- Evalúe el terreno para determinar cuáles son los equipos y aperos o accesorios apropiados que se requieren para operar la máquina de manera adecuada y segura.
- Lleve ropa adecuada, incluyendo guantes, protección ocular, pantalón largo, calzado resistente y antideslizante y protección auricular. Si tiene el pelo largo, recójase, y no lleve joyas o prendas sueltas.
- No lleve pasajeros en la máquina.
- Mantenga a otras personas y a los animales domésticos alejados de la máquina durante el uso.

Apague la máquina y los accesorios si alguien entra en la zona.

- No utilice la máquina a menos que todos los protectores y dispositivos de seguridad, como por ejemplo los deflectores y el recogedor entero, estén colocados y funcionen correctamente. Sustituya cualquier pieza desgastada o deteriorada cuando sea necesario.

Seguridad en el manejo del combustible

- El combustible es extremadamente inflamable y altamente explosivo. Un incendio o una explosión provocados por el combustible puede causarles quemaduras a usted y a otras personas así como daños materiales.
 - Para evitar que una carga estática prenda el combustible, retire la máquina del camión o del remolque y repósteela en el suelo, lejos de otros vehículos. Si esto no es posible, coloque un recipiente de combustible portátil en el suelo, lejos de otros vehículos, y llénelo; luego reposte la máquina desde el recipiente de combustible en vez de usar un surtidor o boquilla dosificadora de combustible.
 - Llene el depósito de combustible en el exterior sobre terreno llano, en una zona abierta y con el motor frío. Limpie cualquier combustible derramado.
 - No maneje combustible si está fumando, ni cerca de una llama desnuda o chispas.
 - No retire el tapón de combustible ni añada combustible al depósito si el motor está caliente o en marcha.
 - Si se derrama combustible, no intente arrancar el motor. Evite crear una fuente de ignición hasta que los vapores del combustible se hayan disipado.
 - Almacene el combustible en un recipiente homologado y manténgalo fuera del alcance de los niños.
- El combustible es dañino o mortal si es ingerido. La exposición a largo plazo a los vapores puede causar lesiones y enfermedades graves.
 - Evite la respiración prolongada de los vapores.
 - Mantenga las manos y la cara alejadas de la boquilla y de la abertura del depósito de combustible.
 - Mantenga el combustible alejado de los ojos y la piel.
- No guarde la máquina o un recipiente de combustible en un lugar donde pudiera haber

una llama desnuda, chispas o una llama piloto, por ejemplo en un calentador de agua u otro electrodoméstico.

- No utilice la máquina a menos que esté instalado un sistema completo de escape en buenas condiciones de funcionamiento.
- Mantenga la boquilla en contacto con el borde del depósito de combustible o el orificio del recipiente en todo momento hasta que termine de repostar. No utilice dispositivos que mantengan abierta la boquilla.
- Si se derrama combustible sobre su ropa, cámbiese de ropa inmediatamente.
- No llene demasiado el depósito de combustible. Vuelva a colocar el tapón de combustible y apriételo firmemente.
- Limpie la hierba y los residuos de la unidad de corte, el silenciador, las transmisiones, el recogedor y el compartimento del motor para ayudar a prevenir incendios. Limpie cualquier aceite o combustible derramado.

Cómo añadir combustible

Combustible recomendado

Tipo	Gasolina sin plomo
Octanaje mínimo	87 (US) o 91 (RON; fuera de los Estados Unidos)
Etanol	No más del 10 % por volumen
Metanol	Ninguna
MTBE (éter metil tert-butílico)	Menos del 15 % por volumen
Aceite	No añadir al combustible

Utilice solamente combustible limpio y fresco (no más de 30 días de antigüedad) de origen acreditado.

Uso del estabilizador/condicionador

Utilice estabilizador/condicionador en la máquina para mantener el combustible fresco durante más tiempo, siguiendo las indicaciones del fabricante del estabilizador de combustible.

Importante: No utilice aditivos de combustible que contengan metanol o etanol.

Agregue la cantidad apropiada de estabilizador/condicionador a combustible fresco, siguiendo las indicaciones del fabricante del estabilizador de combustible.

Llenado del depósito de combustible

1. Aparque la máquina en una superficie nivelada.
2. Mueva las palancas de control de movimiento hacia fuera, a la posición APARCAR.
3. Apague el motor y retire la llave.
4. Limpie alrededor del tapón del depósito de combustible.
5. Llene el depósito de combustible hasta la parte inferior del cuello de llenado (Figura 7). No llene completamente el depósito de combustible.

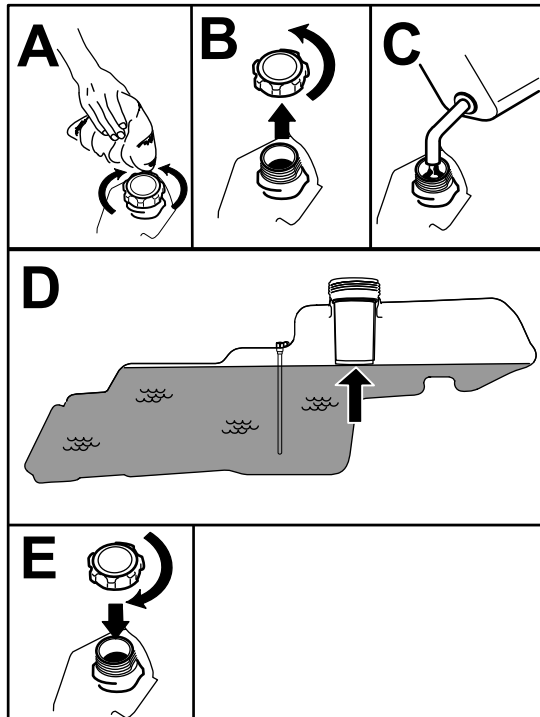


Figura 7

g293796

Mantenimiento diario

Cada día, antes de arrancar la máquina, siga los procedimientos marcados como “Cada uso/A diario” en la sección [Mantenimiento \(página 32\)](#).

Rodaje de una máquina nueva

Los motores nuevos necesitan tiempo para desarrollar toda su potencia. La fricción generada por las carcasas y los sistemas de propulsión de los cortacéspedes es mayor cuando éstos son nuevos, lo que supone una carga adicional para el motor. Las máquinas nuevas necesitan un periodo de rodaje de 40–50 horas para desarrollar la máxima potencia y el mejor rendimiento.

Uso del sistema de interruptores de seguridad

⚠ ADVERTENCIA

Si los interruptores de seguridad están desconectados o dañados, la máquina podría ponerse en marcha inesperadamente y causar lesiones personales.

- No manipule los interruptores de seguridad.
- Compruebe la operación de los interruptores de seguridad cada día, y sustituya cualquier interruptor dañado antes de operar la máquina.

El sistema de interruptores de seguridad

El sistema de interruptores de seguridad ha sido diseñado para impedir que el motor arranque, a menos que:

- El mando de control de las cuchillas (TDF) está desengranado.
- Las palancas de control de movimiento están en la posición APARCAR.

El sistema de interruptores de seguridad está diseñado para detener el motor si se mueven las palancas de control fuera de la posición de APARCAR y usted se levanta del asiento.

Comprobación del sistema de interruptores de seguridad

Verifique el sistema de interruptores de seguridad cada vez que vaya a utilizar la máquina. Si el sistema no funciona de la forma que se describe a continuación, póngase en contacto con un Servicio Técnico Autorizado para que lo reparen inmediatamente.

1. Siéntese en el asiento, mueva las palancas de control de movimiento en la posición de APARCAR, y mueva el mando de control de las cuchillas a la posición de ENGRANADO. Intente arrancar el motor; el motor no debe arrancar.
2. Siéntese en el asiento y ponga el mando de control de las cuchillas en la posición de DESENGRANADO. Mueva cualquiera de las palancas de control de movimiento a la posición central desbloqueada. Intente arrancar el motor; el motor no debe arrancar. Repita con la otra palanca de control de movimiento.

3. Siéntese en el asiento, mueva el mando de control de las cuchillas a DESENGRANADO y bloquee las palancas de control de movimiento en la posición de APARCAR. Arranque el motor. Con el motor en marcha, engrane el mando de control de las cuchillas y levántese un poco del asiento; el motor debe pararse.
4. Siéntese en el asiento, mueva el mando de control de las cuchillas a DESENGRANADO y bloquee las palancas de control de movimiento en la posición de APARCAR. Arranque el motor. Con el motor en marcha, mueva las palancas de control de movimiento a la posición central, desbloqueadas y levántese un poco del asiento; el motor debe pararse.

Colocación del asiento

El asiento puede moverse hacia adelante y hacia atrás. Coloque el asiento en la posición que le permita controlar mejor la máquina y en la que esté más cómodo (Figura 8).

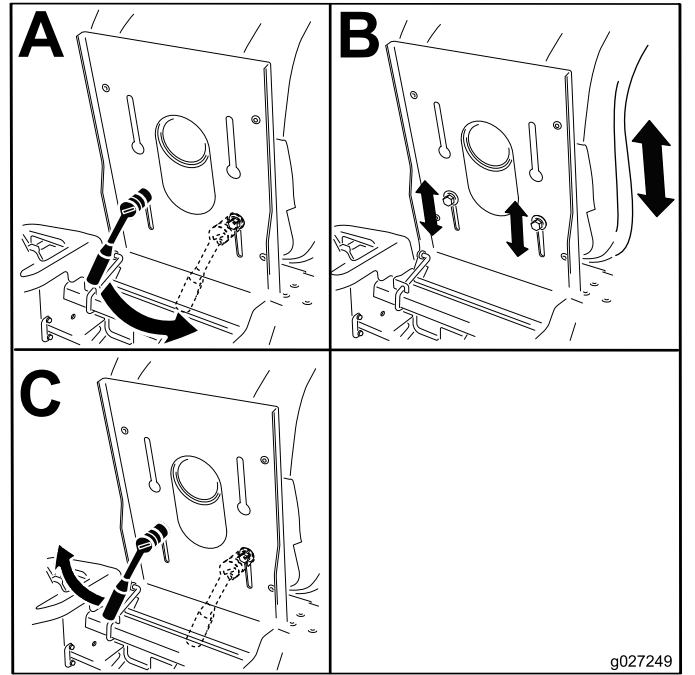


Figura 8

Ajuste de las palancas de control de movimiento

Ajuste de la altura

Las palancas de control de movimiento pueden ser ajustadas hacia arriba o hacia abajo para que su manejo sea más cómodo (Figura 9).

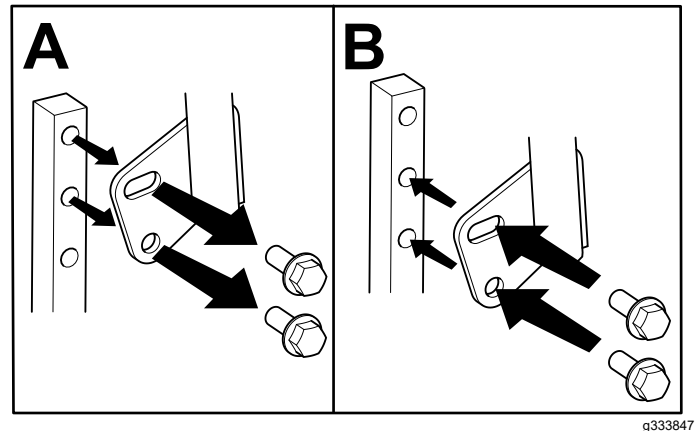


Figura 9

Ajuste de la inclinación

Las palancas de control de movimiento pueden ser ajustadas hacia adelante o hacia atrás que su manejo sea más cómodo.

1. Retire el perno superior que sujeta la palanca de control al brazo de la palanca.
2. Afloje el perno inferior lo suficiente para poder desplazar hacia adelante o hacia atrás la palanca de control.

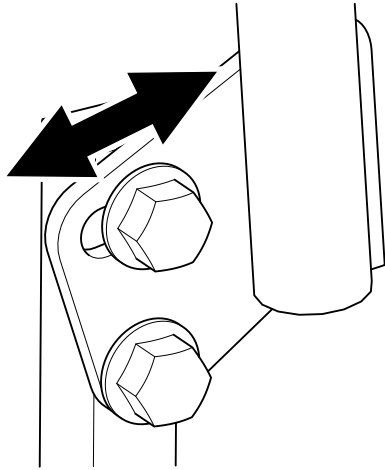


Figura 10

g333846

3. Apriete ambos pernos para fijar la palanca de control en la posición nueva.
4. Repita el ajuste con la otra palanca de control.

Durante el funcionamiento

Seguridad durante el uso

Seguridad general

- El propietario/operador puede prevenir y es responsable de cualquier accidente que pueda provocar lesiones personales o daños materiales.
- Dedique toda su atención al manejo de la máquina. No realice ninguna actividad que pudiera distraerle; de lo contrario, pueden producirse lesiones o daños materiales.
- No utilice la máquina si está enfermo, cansado, o bajo la influencia de alcohol o drogas.
- El contacto con la cuchilla puede causar lesiones personales graves. Pare el motor, retire la llave y espere a que se detengan todas las piezas en movimiento antes de abandonar el puesto del operador. Cuando gire la llave a la posición de DESCONECTADO, el motor debe apagarse y la

cuchilla debe detenerse. Si no, deje de usar la máquina inmediatamente y póngase en contacto con un Servicio Técnico Autorizado.

- Utilice la máquina solo en buenas condiciones de visibilidad y bajo condiciones meteorológicas apropiadas. No haga funcionar la máquina cuando hay riesgo de tormentas eléctricas.
- Mantenga las manos y los pies alejados de las unidades de corte. Manténgase alejado del orificio de descarga.
- No siegue con el deflector de descarga elevado, retirado o modificado, a menos que tenga colocado y en buenas condiciones de funcionamiento un sistema de recogida de hierba o un kit de mulching.
- No corte el césped en marcha atrás a menos que sea absolutamente necesario. Mire siempre hacia abajo y detrás de usted antes de conducir la máquina en marcha atrás.
- Extreme la precaución al acercarse a esquinas ciegas, arbustos, árboles u otros objetos que puedan bloquear su visión.
- Pare las cuchillas siempre que no esté segando.
- Si la máquina golpea un objeto o empieza a vibrar, apague inmediatamente el motor, retire la llave (en su caso), espere a que se detengan todas las piezas en movimiento antes de examinar la máquina en busca de daños. Haga todas las reparaciones necesarias antes de volver a utilizar la máquina.
- Vaya más despacio y tenga cuidado al girar y al cruzar calles y aceras con la máquina. Ceda el paso siempre.
- Antes de abandonar la posición del operador, haga lo siguiente:
 - Aparque la máquina en una superficie nivelada.
 - Desengrane la TDF y baje los accesorios.
 - Ponga el freno de estacionamiento.
 - Apague el motor y retire la llave.
 - Espere a que se detengan todas las piezas en movimiento.
- Haga funcionar el motor únicamente en zonas bien ventiladas. Los gases de escape contienen monóxido de carbono, que es letal si se inhala.
- No deje nunca desatendida la máquina si está funcionando.
- Conecte los equipos remolcados a la máquina únicamente en el punto de enganche.
- No utilice la máquina a menos que todos los protectores y dispositivos de seguridad, como por ejemplo los deflectores y el recogedor entero, estén colocados y funcionen correctamente.

Sustituya cualquier pieza desgastada o deteriorada cuando sea necesario.

- Utilice solamente accesorios y aperos homologados por Toro.
- Esta máquina produce niveles sonoros que superan los 85 dBA en el oído del operador, y pueden causar pérdidas auditivas con períodos extendidos de exposición.

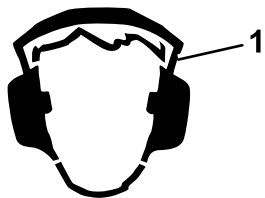


Figura 11

g229846

1. Lleve protección auditiva.

- Limpie la hierba y los residuos de la unidad de corte, las transmisiones, el silenciador y el motor para prevenir incendios.
- Arranque el motor con los pies bien alejados de las cuchillas.
- Esté pendiente del sentido de descarga del cortacésped y no oriente la descarga hacia nadie. Evite descargar material contra una pared u otra obstrucción, porque el material podría rebotar hacia usted.
- Pare las cuchillas, reduzca la velocidad de la máquina y extreme las precauciones al cruzar superficies que no sean de hierba o al transportar la máquina a y desde la zona de trabajo.
- No cambie la velocidad del regulador del motor ni haga funcionar el motor a una velocidad excesiva.
- A menudo los niños se sienten atraídos por la máquina y la actividad de segar. No suponga nunca que los niños van a permanecer en el último lugar en que los vio.
- Mantenga a los niños alejados de la zona de trabajo y bajo la atenta mirada de un adulto responsable que no sea el operador.
- Esté alerta y apague la máquina si entran niños en la zona de trabajo.
- Antes de conducir en marcha atrás o girar la máquina, mire hacia abajo y hacia atrás para asegurarse de que no hay niños pequeños presentes.
- No lleve niños en la máquina, incluso cuando las cuchillas no están en movimiento. Los niños podrían caerse y sufrir lesiones graves, o podrían impedir que usted maneje la máquina con seguridad. Cualquier niño que haya sido transportado en el pasado podría aparecer sin aviso en la zona de trabajo, y podría ser arrollado por la máquina, incluso en marcha atrás.

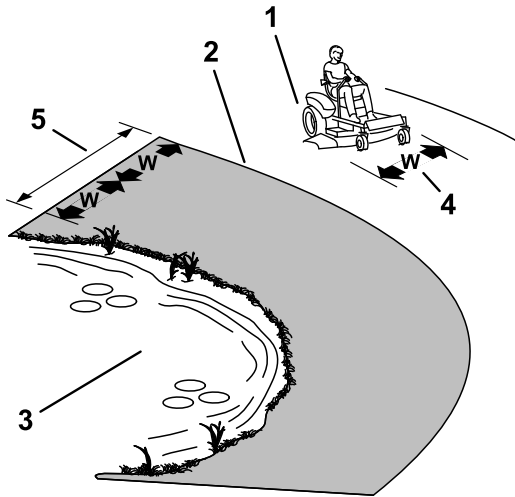
Seguridad en pendientes

- Las pendientes son una de las principales causas de accidentes por pérdida de control y vuelcos, que pueden causar lesiones graves o la muerte. El operador es responsable de la seguridad cuando trabaja en pendientes. El uso de la máquina en cualquier pendiente exige un cuidado especial. Antes de usar la máquina en una pendiente, haga lo siguiente:
 - Lea y comprenda las instrucciones sobre pendientes del manual y las que están colocadas en la máquina.
 - Utilice un indicador de ángulo para determinar la inclinación aproximada de la zona.
 - No utilice la máquina nunca en pendientes de más de 15°.
 - Evalúe las condiciones del lugar de trabajo para determinar si es seguro trabajar en la pendiente con la máquina. Utilice el sentido común y el buen juicio al realizar esta evaluación. Cualquier cambio que se produzca en el terreno, como por ejemplo un cambio de humedad, puede afectar rápidamente al uso de la máquina en una pendiente.
- Identifique cualquier obstáculo situado en la base de la pendiente. No utilice la máquina cerca de terraplenes, fosas, taludes, agua, u otros peligros. La máquina podría volcar repentinamente si una rueda pasa por el borde de un terraplén o fosa, o si se socava un talud. Mantenga una distancia prudente (el doble de la anchura de la máquina) entre la máquina y cualquier obstáculo. Utilice una máquina dirigida o una desbrozadora manual para segar la hierba en estas zonas.
- Evite arrancar, parar o girar la máquina en cuestas o pendientes. Evite hacer cambios bruscos de velocidad o de dirección; gire poco a poco, y a baja velocidad.
- No utilice la máquina en condiciones que puedan comprometer la tracción, la dirección o la estabilidad de la máquina. Tenga en cuenta que conducir en hierba mojada, atravesar pendientes empinadas, o bajar cuestas puede hacer que la máquina pierda tracción. La transferencia de peso a las ruedas delanteras puede hacer que patine la máquina, con pérdida de frenado y de control de dirección. La máquina puede deslizarse incluso con las ruedas motrices inmovilizadas.
- Retire o señale cualquier obstáculo, como zanjas, baches, surcos, montículos, rocas u otros peligros ocultos. La hierba alta puede ocultar obstáculos. Un terreno irregular puede hacer que la máquina vuelque.
- Extreme las precauciones al trabajar con accesorios o aperos, como por ejemplo sistemas de recogida de hierba. Éstos pueden afectar a

la estabilidad de la máquina y causar pérdidas de control. Siga las instrucciones sobre los contrapesos.

- Si es posible, mantenga la carcasa bajada al suelo mientras trabaje en pendientes. La elevación de la carcasa mientras se trabaja en pendientes puede hacer que la máquina pierda estabilidad.

- La distancia de parada puede aumentar con el peso de la carga remolcada. Conduzca lentamente y deje una distancia de parada mayor.
- Haga giros abiertos para mantener el accesorio alejado de la máquina.



g229111

Figura 12

- | | |
|--|---|
| 1. Zona segura – utilice la máquina aquí en pendientes de menos de 15° o zonas planas. | 4. W = anchura de la máquina |
| 2. Zona de peligro – utilice un cortacésped manual y/o una desbrozadora manual en pendientes de más de 15°, y cerca de terraplenes o agua. | 5. Mantenga una distancia prudente (el doble de la anchura de la máquina) entre la máquina y cualquier obstáculo. |
| 3. Agua | |

Seguridad durante el remolcado

- Enganche el equipo a remolcar únicamente en el punto de enganche.
- No utilice la máquina como vehículo de remolque a menos que tenga un enganche instalado.
- No supere los límites de peso establecidos para equipos remolcados y para el remolque en pendientes. El peso remolcado no debe superar el peso de la máquina y del operador.
- No deje que se acerquen niños u otras personas al equipo remolcado.
- En las pendientes, el peso del equipo remolcado puede causar una pérdida de tracción, aumentar el riesgo de vuelco o provocar una pérdida de control. Reduzca el peso remolcado y vaya más despacio.

Uso del mando de control de las cuchillas (TDF)

El mando de control de las cuchillas (TDF) arranca y detiene las cuchillas del cortacésped y cualquier accesorio conectado.

Cómo engranar el mando de control de las cuchillas (TDF)

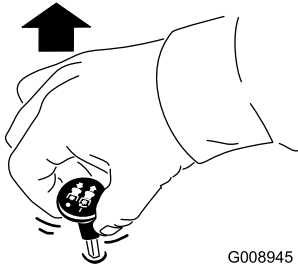


Figura 13

G008945

g008945

Nota: Siempre engrane las cuchillas con el acelerador en la posición de RÁPIDO (Figura 14).

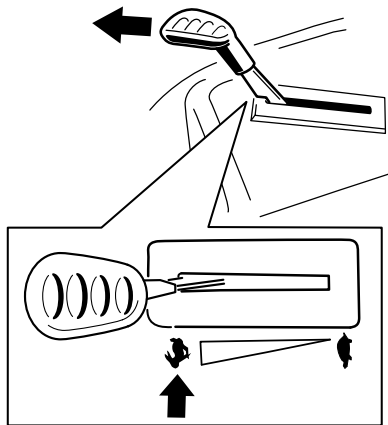


Figura 14

g295538

Cómo desengranar el mando de control de las cuchillas (TDF)

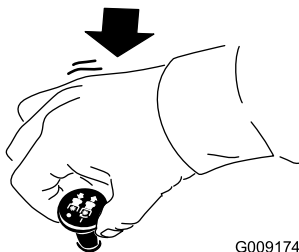


Figura 15

G009174

g009174

Uso del acelerador

Puede mover el control del acelerador entre las posiciones de RÁPIDO y LENTO (Figura 16).

Utilice siempre la posición de RÁPIDO para engranar la TDF.

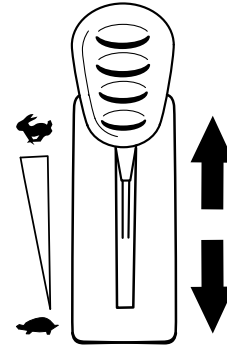


Figura 16

g295539

Uso del estárter

Utilice el estárter para poner en marcha el motor en frío.

1. Tire hacia arriba del mando para engranar el estárter antes de usar el interruptor de encendido (Figura 17).

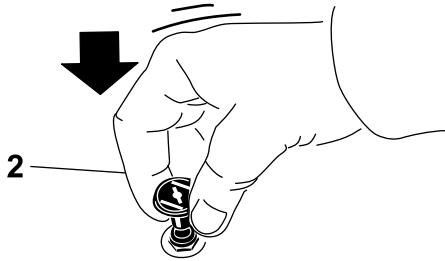
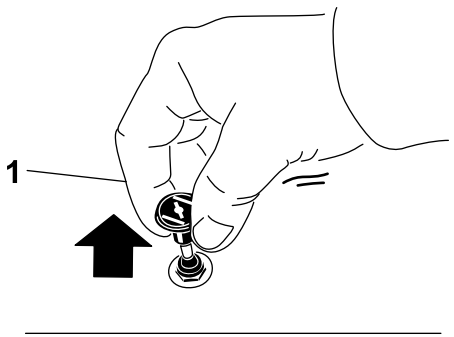
Nota: Asegúrese de activar completamente el estárter. Puede ser necesario sujetar el mando hacia arriba mientras acciona el interruptor de encendido.

2. Presione hacia abajo el control del estárter para desactivar el estárter después de que el motor arranque (Figura 17).

Cómo arrancar el motor

Nota: Si el motor está caliente, puede no ser necesario usar el estárter.

Importante: No active el motor de arranque durante más de 5 segundos cada vez. Si se acciona el motor de arranque durante más de 5 segundos seguidos, puede dañarse. Si el motor no arranca, espere 1 minuto antes de utilizar el motor de arranque de nuevo.



g295540

Figura 17

1. Posición de ACTIVADO 2. Posición de DESACTIVADO

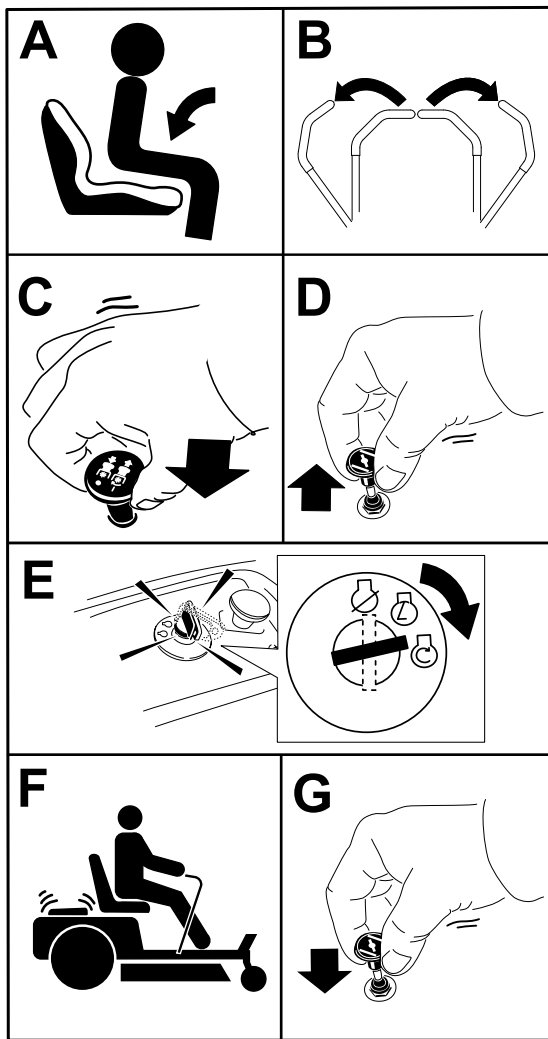


Figura 18

g295541

Apagado del motor

1. Desengrane las cuchillas moviendo el mando de control de las cuchillas a la posición de DESENGRANADO.
2. Mueva las palancas de control de movimiento hacia fuera, a la posición APARCAR.
3. Mueva la palanca del acelerador a la posición de LENTO y deje que el motor funcione en ralentí durante 1 minuto.
4. Gire la llave a la posición de DESCONECTADO y retire la llave.

⚠ CUIDADO

Los niños u otras personas podrían resultar lesionados si mueven o intentan operar la máquina mientras está desatendida.

Retire siempre la llave y ponga el freno de estacionamiento cuando deje la máquina sin supervisión.

Uso de las palancas de control de movimiento

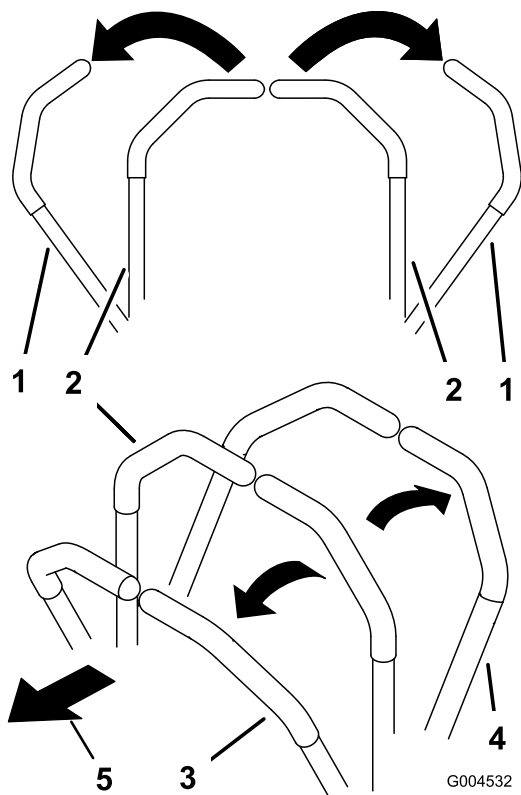


Figura 19

- | | |
|---|----------------------------------|
| 1. Palanca de control de movimiento – posición de APARCAR | 4. Hacia atrás |
| 2. Posición central de desbloqueo | 5. Parte delantera de la máquina |
| 3. Hacia adelante | |

Conducción de la máquina

Las ruedas motrices giran de manera independiente, impulsadas por motores hidráulicos en cada eje. Un lado puede girar hacia atrás mientras el otro lado gira hacia adelante, haciendo que la máquina rote sobre su eje en lugar de trazar una curva. Esto mejora mucho la maniobrabilidad de la máquina, pero puede ser necesario un periodo de adaptación si no está familiarizado con este sistema.

El control del acelerador regula la velocidad del motor en rpm (revoluciones por minuto). Ponga el acelerador en posición RÁPIDO para conseguir el mejor rendimiento. Siempre con el acelerador en posición rápido.

⚠ ADVERTENCIA

La máquina puede girar muy rápidamente. Usted puede perder el control de la máquina y causar lesiones personales o daños a la máquina.

- Extreme las precauciones al girar.
- Reduzca la velocidad de la máquina antes de hacer giros cerrados.

Conducción hacia adelante

Nota: Tenga cuidado siempre al girar.

1. Mueva las palancas a la posición central de desbloqueo.
2. Para ir hacia adelante, empuje lentamente las palancas de control de movimiento hacia adelante (Figura 20).

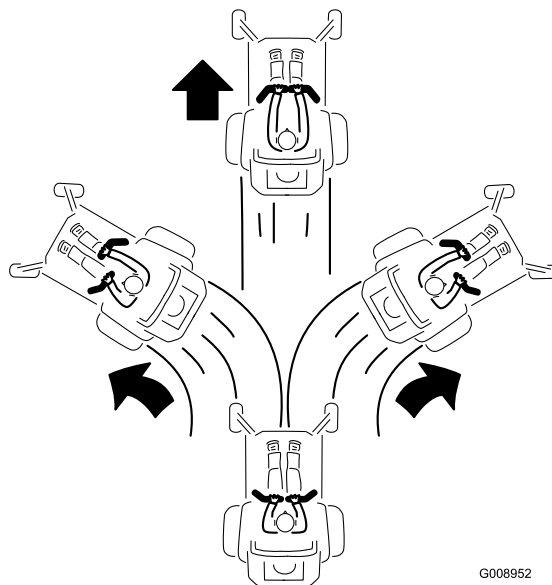


Figura 20

Conducción hacia atrás

Nota: Extremar siempre las precauciones en marcha atrás y en los giros.

1. Mueva las palancas a la posición central, desbloqueadas.
2. Para ir hacia atrás, tire lentamente de las palancas de control de movimiento hacia atrás (Figura 21).

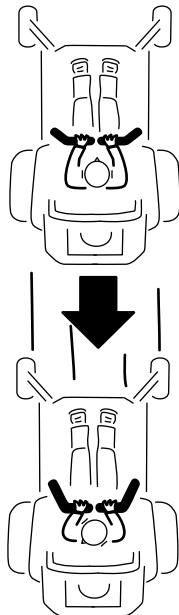


Figura 21

G008953

g008953

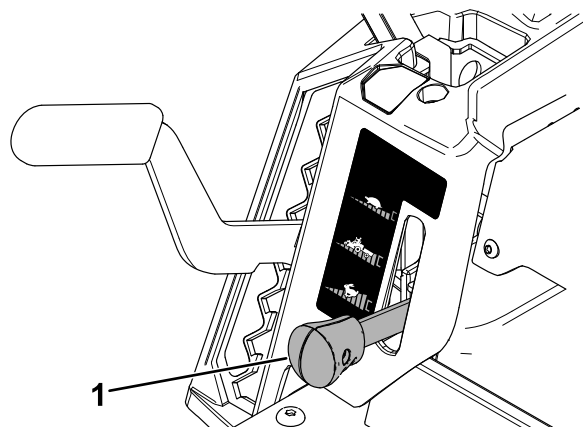


Figura 22

g293338

1. Palanca Smart Speed

Para cambiar de velocidad:

1. Ponga las palancas de control de movimiento en punto muerto y luego muévalas hacia afuera a la posición de APARCAR.
2. Desengrane el mando de control de las cuchillas.
3. Ajuste la palanca a la posición deseada.

A continuación se ofrecen unas simples recomendaciones de uso. Los ajustes variarán según el tipo de hierba, el contenido de humedad y la altura de la hierba.

Sugerencias de uso:	Perfilar	Remolcar	Segar
Estacionamiento	X		
Césped húmedo y pesado	X		
Capacitación	X		
Perfilar césped	X		
Ensamado		X	
Mulching		X	
Remolcar accesorios		X	
Siega normal			X
Cómo desplazar la máquina			X

Perfilar

Ésta es la velocidad más baja. Los usos recomendados para esta velocidad son:

- Estacionamiento
- Siega de césped húmedo y pesado

Uso del sistema de control Smart Speed™

La palanca del sistema de control Smart Speed™, situada debajo del puesto del operador (Figura 22), permite al operador conducir la máquina en 3 intervalos de velocidad: Perfilar, Remolcar y Segar.

- Capacitación
- Perfilar césped

Remolcar

Ésta es la velocidad intermedia. Los usos recomendados para esta velocidad son:

- Ensacado
- Mulching
- Remolcar accesorios

Segar

Ésta es la velocidad más alta. Los usos recomendados para esta velocidad son:

- Siega normal
- Cómo desplazar la máquina

Uso de la descarga lateral

El cortacésped cuenta con un deflector de hierba abisagrado que dispersa los recortes de hierba a un lado y hacia abajo, hacia el césped.

⚠ PELIGRO

Si la máquina no tiene correctamente montado un deflector de hierba, una tapa de descarga o un recogedor completo, usted y otras personas están expuestos a contacto con las cuchillas y a residuos lanzados al aire. El contacto con las cuchillas del cortacésped en rotación y con los residuos lanzados al aire causará lesiones o muerte.

- **No retire nunca el deflector de hierba de la carcasa de corte porque el deflector de hierba dirige el material hacia abajo, al césped. Si el deflector de hierba se deteriora alguna vez, sustitúyalo inmediatamente.**
- **No coloque nunca las manos o los pies debajo de la carcasa del cortacésped.**
- **No intente nunca despejar la zona de descarga o las cuchillas del cortacésped sin antes mover el mando de control de las cuchillas (TDF) a la posición de DESENGRANADO, girar el interruptor de encendido a DESCONECTADO y retirar la llave del interruptor de encendido.**
- **Compruebe que el deflector de hierba está bajado.**

Ajuste de la altura de corte

Nota: La posición de transporte es la posición de altura de corte más alta, 114 mm (4½"), según se muestra en [Figura 23](#).

Puede ajustar la altura de corte de 38 a 114 mm (1½" a 4½") en incrementos de 13 mm (½"). La altura de corte es controlada por la palanca situada a la derecha del puesto del operador ([Figura 23](#)).

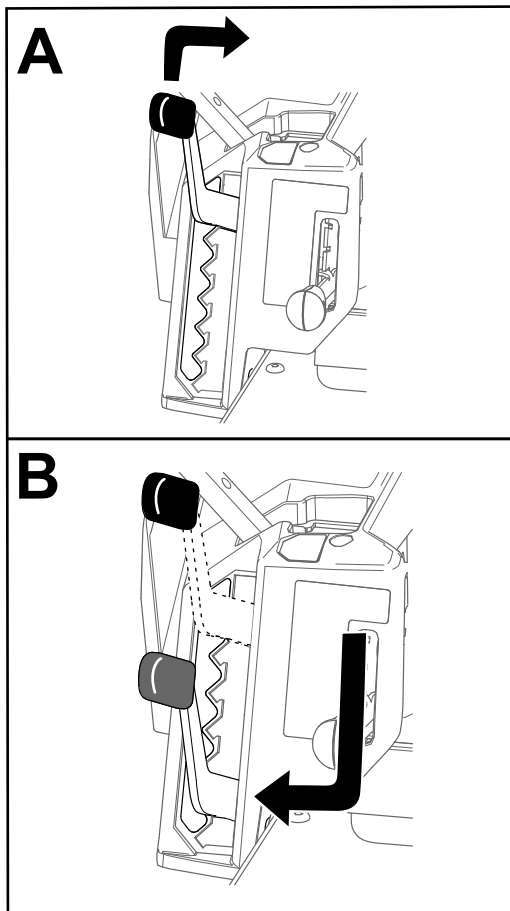


Figura 23

g296586

Ajuste de los rodillos protectores del césped

Cada vez que usted cambie la altura de corte, ajuste también la altura de los rodillos protectores del césped.

Nota: Ajuste los rodillos protectores del césped para que los rodillos no toquen el suelo en zonas de siega llanas y normales.

1. Aparque la máquina en una superficie nivelada, desengrane el mando de control de las cuchillas y ponga las palancas de control de movimiento hacia fuera a la posición de APARCAR.
2. Apague el motor, retire la llave y espere a que se detengan todas las piezas en movimiento antes de abandonar el puesto del operador.
3. Ajuste los rodillos protectores del césped a una de las posiciones siguientes:
 - Taladro superior – utilice esta posición cuando la carcasa de corte está en la posición de altura de corte de 63 mm (2½") o menos ([Figura 24](#)).
 - Taladro inferior – utilice esta posición cuando la carcasa de corte está en la posición de altura de corte de 76 mm (3") o más ([Figura 24](#)).

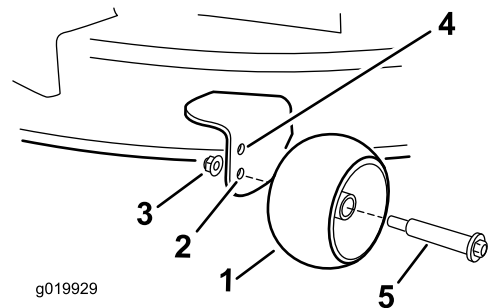


Figura 24

g019929

g019929

1. Rodillo protector del césped
2. Taladro inferior – carcasa de corte en la posición de altura de corte de 76 mm (3") o más
3. Tuerca con arandela prensada
4. Taladro superior – carcasa de corte en la posición de altura de corte de 63 mm (2½") o menos
5. Perno

Consejos de operación

Maximización de la circulación de aire

Para aumentar al máximo la calidad de corte y la circulación de aire, trabaje con el motor en la posición de RÁPIDO. Se requiere aire para cortar bien la hierba, así que no ponga la altura de corte tan baja como para rodear totalmente la carcasa de corte de hierba sin cortar. Trate siempre de tener un lado de la carcasa de corte libre de hierba sin cortar, para permitir la entrada de aire en la carcasa.

Cortar un césped por primera vez

Corte la hierba algo más larga de lo habitual para asegurar que la altura de corte de la carcasa de corte no deje "calvas" en terrenos desiguales. Sin embargo, la altura de corte utilizada habitualmente suele ser la mejor. Si la hierba tiene más de 15 cm (6") de alto, es preferible cortar el césped dos veces para asegurar una calidad de corte aceptable.

Corte un tercio de la hoja de hierba

Es mejor cortar solamente un tercio aproximadamente de la hoja de hierba. No se recomienda cortar más, a menos que la hierba sea escasa o al final del otoño, cuando la hierba crece más despacio.

Alternancia de la dirección de corte

Alterne la dirección de corte para mantener la hierba erguida. De esta forma también se ayuda a dispersar mejor los recortes sobre el césped y se conseguirá una mejor descomposición y fertilización.

Siegue a los intervalos correctos

La hierba crece a velocidades diferentes en diferentes épocas del año. Para mantener la misma altura de corte, corte el césped con más frecuencia durante la primavera. A medida que avanza el verano, la velocidad de crecimiento de la hierba decrece, por ello debe cortarse con menor frecuencia. Si no puede segar durante un período de tiempo prolongado, siegue primero con una altura de corte alta y, después de dos días, vuelva a segar con un ajuste más bajo.

Siegue a velocidades más lentas

En ciertas condiciones, segar a una velocidad de avance más baja puede mejorar la calidad de corte.

Evite cortar demasiado bajo

Al cortar césped de altura irregular, eleve la altura de corte para evitar arrancar el césped.

Cómo parar la máquina

Si es necesario detener el avance de la máquina mientras se corta el césped, es posible que caiga un montón de recortes sobre el césped. Para evitar esto, dirijase con las cuchillas engranadas a una zona del césped que ya haya sido segada, o desengrane la carcasa de corte al desplazarse hacia adelante.

Limpieza de la parte inferior de la carcasa de corte

Limpie los recortes y la suciedad de los bajos de la carcasa de corte después de cada uso. Si se acumulan hierba y suciedad en el interior de la carcasa de corte, la calidad del corte llegará a ser insatisfactoria.

Mantenimiento de la(s) cuchilla(s)

Mantenga las cuchillas afiladas durante toda la temporada de corte, ya que una cuchilla afilada corta limpiamente y sin rasgar o deshilar las hojas de hierba. Si se rasgan o se deshilian, los bordes de las hojas se secarán, lo cual retardará su crecimiento y favorecerá la aparición de enfermedades. Compruebe después de cada uso que las cuchillas están bien afiladas y que no están desgastadas o dañadas. Elimine cualquier mella con una lima, y afile las cuchillas si es necesario. Si una cuchilla está desgastada o deteriorada, sustitúyala inmediatamente por una cuchilla nueva genuina Toro. Consulte [Mantenimiento de las cuchillas de corte \(página 45\)](#).

Después del funcionamiento

Seguridad después del uso

Seguridad general

- Pare el motor, retire la llave y espere a que se detengan todas las piezas en movimiento antes de abandonar el puesto del operador. Deje que se enfríe la máquina antes de hacer trabajos de ajuste, mantenimiento, repostaje, limpieza o almacenamiento.
- Limpie la hierba y los residuos de la unidad de corte, el silenciador, las transmisiones, el recogedor y el compartimento del motor para ayudar a prevenir incendios. Limpie cualquier aceite o combustible derramado.
- Retire la llave antes de almacenar o transportar la máquina.

Cómo limpiar la máquina

Intervalo de mantenimiento: Después de cada uso

Importante: La máquina puede lavarse con un detergente suave y agua. No lave la máquina a presión. Evite el uso excesivo de agua, especialmente cerca del panel de control, debajo del asiento, y alrededor del motor, de las bombas hidráulicas y de los motores eléctricos.

1. Aparque la máquina en una superficie nivelada, desengrane el mando de control de las cuchillas y ponga las palancas de control de movimiento hacia fuera en la posición de APARCAR.
2. Pare el motor y espere a que se detengan todas las piezas en movimiento antes de abandonar el puesto del operador.
3. Limpie la hierba y los residuos de la unidad de corte, el silenciador, las transmisiones, el recogedor y el motor.

Nota: Consulte [Cómo lavar la parte inferior de la carcasa de corte \(página 53\)](#) para obtener información acerca de cómo usar el conector de lavado de la carcasa.

Empujar la máquina a mano

Esta máquina tiene un mecanismo de freno eléctrico, y para empujar la máquina, la llave debe estar en la posición de MARCHA. La batería debe estar cargada y estar funcionando para poder quitar el freno eléctrico.

1. Aparque la máquina en una superficie nivelada, desengrane el mando de control de las cuchillas y ponga las palancas de control de movimiento hacia fuera en la posición de APARCAR.
2. Pare el motor y espere a que se detengan todas las piezas en movimiento antes de abandonar el puesto del operador.
3. Localice las palancas de desvío en el bastidor en cada lado del motor.
4. Mueva ambas palancas de desvío hacia delante a través del orificio ranurado y hacia abajo para bloquearlas en esa posición ([Figura 25](#)).

⚠ ADVERTENCIA

El contacto con superficies calientes puede causar lesiones personales.

Mantenga las manos, los pies, la cara, la ropa y otras partes del cuerpo alejados del motor, del silenciador y de otras superficies calientes.

⚠ ADVERTENCIA

La máquina podría desplazarse accidentalmente mientras las palancas de derivación están bloqueadas hacia adelante en la ranura, y causar lesiones a usted o a otras personas.

Bloquee las palancas de desvío hacia atrás después de mover la máquina.

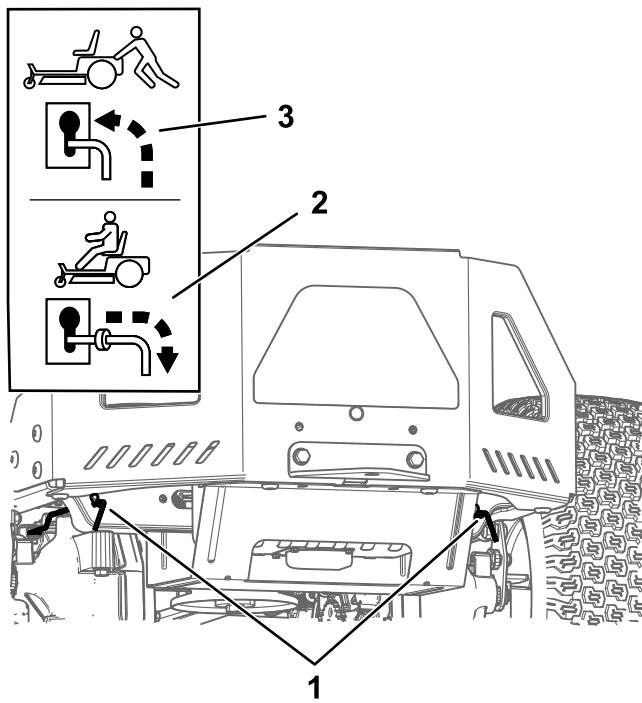


Figura 25

g333873

1. Ubicación de la palanca de desvío
2. Posición de la palanca para operar la máquina
3. Posición de la palanca para empujar la máquina

5. Gire la llave de encendido a la posición de MARCHA y quite el freno de estacionamiento moviendo una de las palancas de control de movimiento fuera de la posición de APARCAR.

Nota: No arranque la máquina.

6. Mueva la máquina según sea necesario.

Importante: Empuje siempre la máquina a mano. No remolque la máquina porque podría dañarla.

7. Mueva las palancas de control de movimiento hacia fuera, a la posición de APARCAR.
8. Gire la llave a la posición de DESCONECTADO y retírela para evitar que se descargue la batería.
9. Mueva ambas palancas de desvío hacia atrás y hacia abajo a través del orificio ranurado para bloquearlas en esa posición.

Transporte de la máquina

Utilice un remolque para cargas pesadas o un camión para transportar la máquina. Utilice una rampa de ancho completo. Asegúrese de que el remolque o el camión tenga todos los frenos y todas las luces y señalizaciones requeridos por la ley. Por favor, lea cuidadosamente todas las instrucciones de seguridad. El conocer esta información puede ayudar a evitarle lesiones a usted o a otras personas. Consulte en la normativa local los requisitos aplicables al remolque y al sistema de amarre.

⚠ ADVERTENCIA

Conducir en una calle o carretera sin señales de giro, luces, marcas reflectantes o un indicador de vehículo lento es peligroso y puede ser causa de accidentes que pueden provocar lesiones personales.

No conduzca la máquina en una calle o carretera pública.

Selección de un remolque

⚠ ADVERTENCIA

El cargar la máquina en un remolque o un camión aumenta la posibilidad de un vuelco y podría causar lesiones graves o la muerte (Figura 26).

- Utilice únicamente una rampa de ancho completo; no utilice rampas individuales para cada lado de la máquina.
- No supere un ángulo de 15 grados entre la rampa y el suelo, o entre la rampa y el remolque o camión.
- Asegúrese de que la rampa tiene una longitud de al menos cuatro veces la altura de la plataforma del remolque o del camión sobre el suelo. De esta forma se asegura que el ángulo de la rampa no supere los 15 grados en terreno llano.

Cómo cargar la máquina

⚠ ADVERTENCIA

El cargar la máquina en un remolque o un camión aumenta la posibilidad de un vuelco y podría causar lesiones graves o la muerte.

- Extremar las precauciones al hacer funcionar la máquina en una rampa.
- Suba la máquina por la rampa en marcha atrás y baje la máquina por la rampa conduciendo hacia adelante.
- Evite acelerar o desacelerar bruscamente al conducir la máquina en una rampa, porque esto podría provocar un vuelco o una pérdida de control.

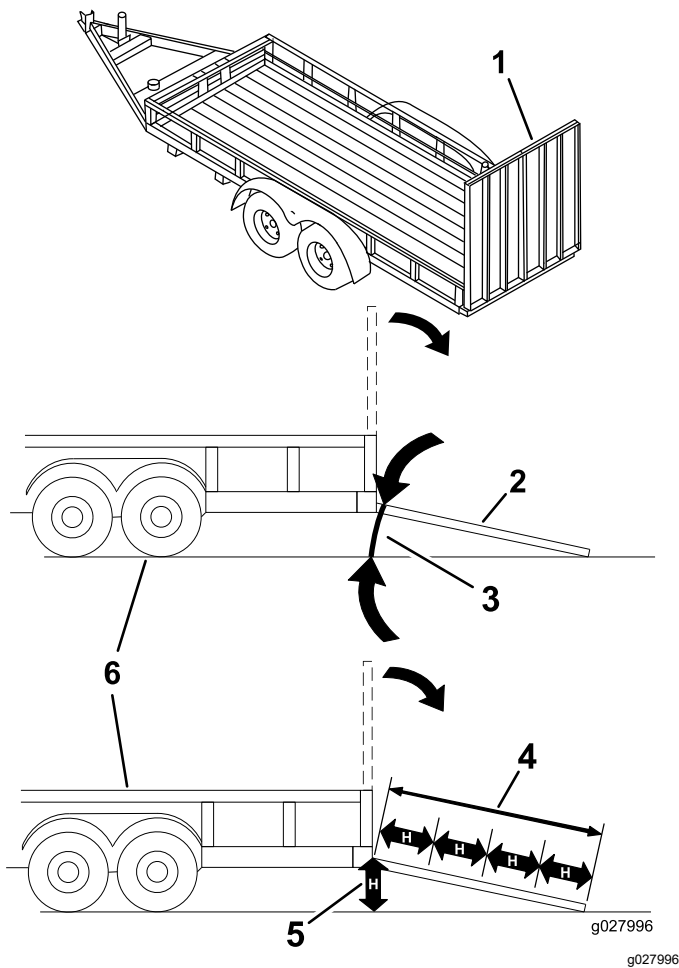


Figura 26

- | | |
|--|---|
| 1. Rampa de ancho completo en posición de almacenamiento | 4. La longitud de la rampa es al menos 4 veces mayor que la altura de la plataforma del camión o del remolque sobre el suelo. |
| 2. Vista lateral de una rampa de ancho completo en la posición de la carga | 5. H = altura de la plataforma del remolque o del camión sobre el suelo. |
| 3. No más de 15 grados | 6. Remolque |

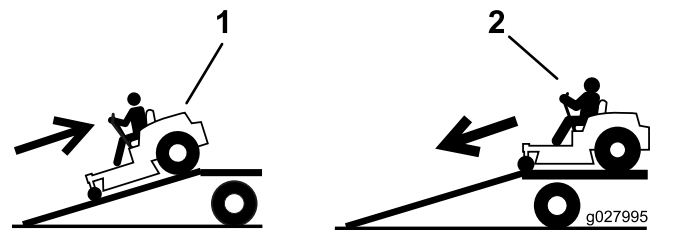


Figura 27

- | | |
|--|---|
| 1. Suba por la rampa conduciendo la máquina en marcha atrás. | 2. Baje la máquina por la rampa conduciendo hacia adelante. |
|--|---|

5. Apague el motor, retire la llave y mueva las palancas de control de movimiento hacia fuera a la posición de APARCAR.
6. Amarre la máquina junto a las ruedas giratorias delanteras y el bastidor trasero con correas, cadenas, cables o cuerdas (Figura 28). Consulte la normativa local respecto a los requisitos de amarre.

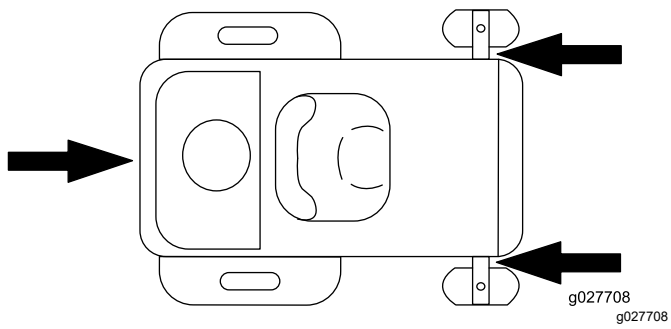


Figura 28

1. Puntos de amarre
-

Cómo descargar la máquina

1. Baje la rampa, asegurándose de que el ángulo entre la rampa y el suelo no supera los 15 grados ([Figura 26](#)).
2. Baje la máquina por la rampa conduciendo hacia adelante ([Figura 27](#)).

Mantenimiento

Nota: Los lados derecho e izquierdo de la máquina se determinan desde la posición normal del operador.

Seguridad en el mantenimiento

- Si deja la llave en el interruptor, alguien podría arrancar el motor accidentalmente y causar lesiones graves a usted o a otras personas. Retire la llave del interruptor de encendido antes de realizar cualquier operación de mantenimiento.
- Antes de abandonar el puesto del operador, haga lo siguiente:
 - Aparque la máquina en una superficie nivelada.
 - Desengrane las transmisiones.
 - Ponga el freno de estacionamiento.
 - Apague el motor y retire la llave.
 - Deje que los componentes de la máquina se enfríen antes de realizar tareas de mantenimiento.
- No permita que personas que no hayan recibido formación realicen mantenimiento en la máquina.
- Mantenga las manos y los pies alejados de las piezas en movimiento y las superficies calientes. Si es posible, no haga ajustes mientras el motor está funcionando.
- Alivie con cuidado la tensión de aquellos componentes que tengan energía almacenada.
- Compruebe frecuentemente el funcionamiento del freno de estacionamiento. Ajústelo y realice el mantenimiento cuando sea necesario.
- No manipule nunca los dispositivos de seguridad. Compruebe regularmente que funcionan correctamente.
- Limpie la hierba y los residuos de la unidad de corte, el silenciador, las transmisiones, el recogedor y el compartimento del motor para prevenir incendios.
- Limpie cualquier derrame de aceite o combustible y retire cualquier residuo empapado en combustible.
- No confíe en gatos hidráulicos o mecánicos para apoyar la máquina; apoye la máquina sobre gatos fijos cada vez que eleve la máquina.
- Mantenga todas las piezas en buenas condiciones de uso y todas las fijaciones bien apretadas, especialmente las fijaciones de las cuchillas. Sustituya cualquier pegatina que esté desgastada o deteriorada.
- Desconecte el cable del borne negativo de la batería antes de reparar la máquina.
- Para asegurar un rendimiento óptimo, utilice únicamente piezas y accesorios genuinos de Toro. Las piezas de repuesto y accesorios de otros fabricantes podrían ser peligrosos, y su uso podría invalidar la garantía del producto.

Calendario recomendado de mantenimiento

Intervalo de mantenimiento y servicio	Procedimiento de mantenimiento
Cada vez que se utilice o diariamente	<ul style="list-style-type: none">• Comprobación del sistema de interruptores de seguridad.• Comprobación del nivel de aceite del motor.• Limpieza del sistema de refrigeración. (más a menudo en condiciones de mucho polvo o suciedad).• Inspección de las cuchillas.• Compruebe que el deflector de hierba no está deteriorado.
Después de cada uso	<ul style="list-style-type: none">• Limpie la hierba y los residuos de la unidad de corte, el silenciador, las transmisiones, el recogedor y el motor.• Limpie la carcasa de corte.
Cada 25 horas	<ul style="list-style-type: none">• Engrase los cojinetes de las ruedas giratorias (más a menudo en condiciones de suelo arenoso).• Limpieza del elemento de gomaespuma del limpiador de aire (más a menudo en condiciones de mucho polvo o suciedad).• Comprobación de la presión de los neumáticos.• Compruebe que las correas no están desgastadas ni agrietadas.

Intervalo de mantenimiento y servicio	Procedimiento de mantenimiento
Cada 100 horas o cada año, lo que ocurra primero	<ul style="list-style-type: none"> • Cambie el elemento de papel del limpiador de aire (más a menudo en condiciones de mucho polvo o suciedad). • Cambio del aceite del motor y del filtro de aceite (más a menudo en condiciones de mucho polvo o suciedad).
Antes del almacenamiento	<ul style="list-style-type: none"> • Cargue la batería y desconecte los cables. • Realice todos los procedimientos de mantenimiento arriba citados antes del almacenamiento • Pinte cualquier superficie desconchada.
Cada año	<ul style="list-style-type: none"> • Cambio de los elementos de espuma y de papel del limpiador de aire (más a menudo en condiciones de mucho polvo o suciedad). • Cambie la(s) bujía(s). • Cambio del filtro de combustible en línea.

Importante: Consulte los demás procedimientos de mantenimiento del manual del propietario del motor.

⚠ CUIDADO

Si deja la llave en el interruptor, alguien podría arrancar el motor accidentalmente y causar lesiones graves a usted o a otras personas.

Apague el motor y retire la llave del interruptor antes de realizar cualquier operación de mantenimiento.

Procedimientos previos al mantenimiento

Elevación de la máquina

Utilice soportes fijos para apoyar la máquina al elevarla.

⚠ ADVERTENCIA

Si se apoya la máquina en el protector inferior del silenciador (**Figura 29**) puede dañar el protector y hacer que la máquina caiga, causando lesiones a usted o a otras personas.

No utilice el protector inferior del silenciador para elevar o apoyar la máquina.

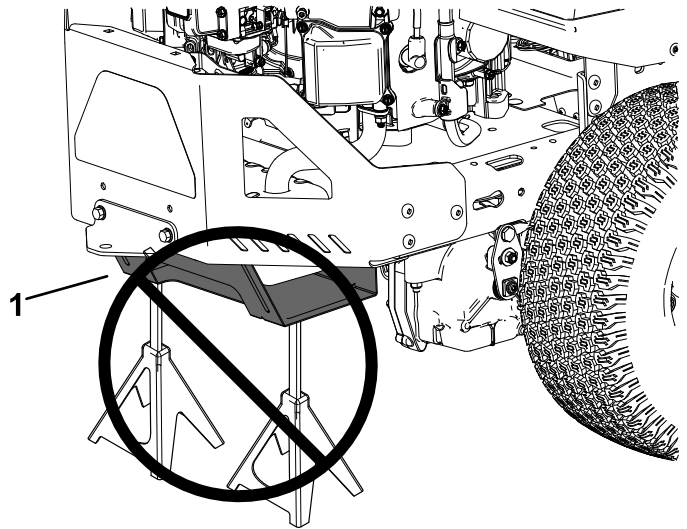


Figura 29

1. Protector inferior del silenciador

g299647

Lubricación

Engrasado de los cojinetes

Intervalo de mantenimiento: Cada 25 horas—Engrase los cojinetes de las ruedas giratorias (más a menudo en condiciones de suelo arenoso).

Tipo de grasa: Grasa de litio N° 2

1. Aparque la máquina en una superficie nivelada, desengrane el mando de control de las cuchillas y ponga las palancas de control de movimiento hacia fuera a la posición de APARCAR.
2. Pare el motor, retire la llave y espere a que se detengan todas las piezas en movimiento antes de abandonar el puesto del operador.
3. Limpie los engrasadores (Figura 30) con un trapo.

Nota: Raspe la pintura que pudiera haber sobre los puntos de engrase.

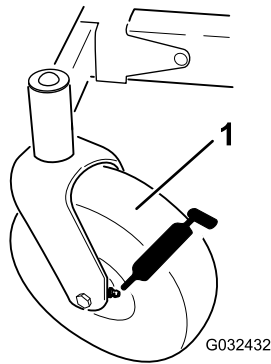


Figura 30

1. Rueda giratoria delantera

4. Conecte una pistola de engrasar a cada engrasador (Figura 30).
5. Bombée grasa hasta que empiece a rezumar grasa de los cojinetes.
6. Limpie cualquier exceso de grasa.

Mantenimiento del motor

Seguridad del motor

- Mantenga las manos, los pies, la cara, otras partes del cuerpo y la ropa alejados del silenciador y de otras superficies calientes. Deje que se enfríen los componentes del motor antes de realizar cualquier tarea de mantenimiento.
- No cambie la velocidad del regulador del motor ni haga funcionar el motor a una velocidad excesiva.

Mantenimiento del limpiador de aire

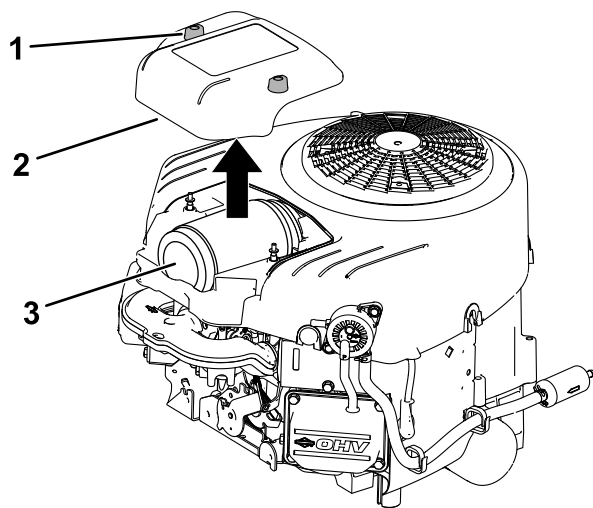
Intervalo de mantenimiento: Cada 25 horas—Limpieza del elemento de gomaespuma del limpiador de aire (más a menudo en condiciones de mucho polvo o suciedad).

Cada año—Cambio de los elementos de espuma y de papel del limpiador de aire (más a menudo en condiciones de mucho polvo o suciedad).

Nota: Haga el mantenimiento del limpiador de aire con mayor frecuencia (después de pocas horas) si el entorno de trabajo tiene mucho polvo o arena.

Retirada de los elementos del limpiador de aire

1. Aparque la máquina en una superficie nivelada, desengrane el mando de control de las cuchillas y ponga las palancas de control de movimiento hacia fuera en la posición de APARCAR.
2. Apague el motor, retire la llave y espere a que se detengan todas las piezas en movimiento antes de abandonar el puesto del operador.
3. Limpie alrededor de la tapa del limpiador de aire para evitar que la suciedad penetre en el motor y cause daños.
4. Afloje las fijaciones y retire la tapa.

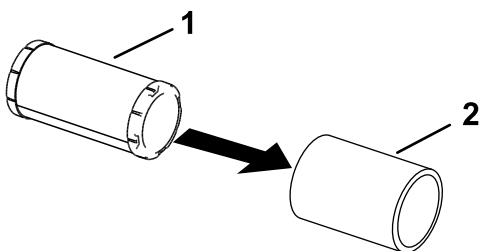


g399637

Figura 31

1. Fijaciones de la tapa
2. Tapa
3. Elementos del limpiador de aire

5. Retire los elementos del limpiador de aire.
6. Separe los elementos de gomaespuma y papel.



g305608

Figura 32

1. Elemento de papel
2. Elemento de espuma

Mantenimiento del elemento de gomaespuma

1. Lave el elemento de espuma con jabón líquido y agua templada. Cuando el elemento esté limpio, enjuáguelo bien.
2. Seque el elemento apretándolo con un paño limpio.

Importante: Sustituya el elemento de gomaespuma si está roto o desgastado.

3. Lubrique ligeramente el elemento de espuma usando aceite de motor nuevo, y apriete para eliminar cualquier exceso de aceite.

Mantenimiento del elemento de papel del limpiador de aire.

Intervalo de mantenimiento: Cada 100 horas o cada año, lo que ocurra primero—Cambie el elemento de papel del limpiador de aire (más a menudo en condiciones de mucho polvo o suciedad).

1. Limpie el elemento de papel golpeándolo suavemente para eliminar el polvo.

Nota: Si está muy sucio, cambie el elemento de papel por uno nuevo.

2. Inspeccione el filtro por si estuviera roto, tuviera una película aceitosa o la junta de goma estuviera dañada.
3. Cambie el elemento de papel si está dañado.

Importante: No limpie el filtro de papel.

Instalación de los elementos del limpiador de aire

1. Instale el elemento de espuma del prelimpiador sobre el elemento de papel.

Nota: Asegúrese de no dañar los elementos.

2. Instale los elementos del limpiador de aire en la base del limpiador de aire.
3. Instale la tapa y apriete las fijaciones (Figura 31).

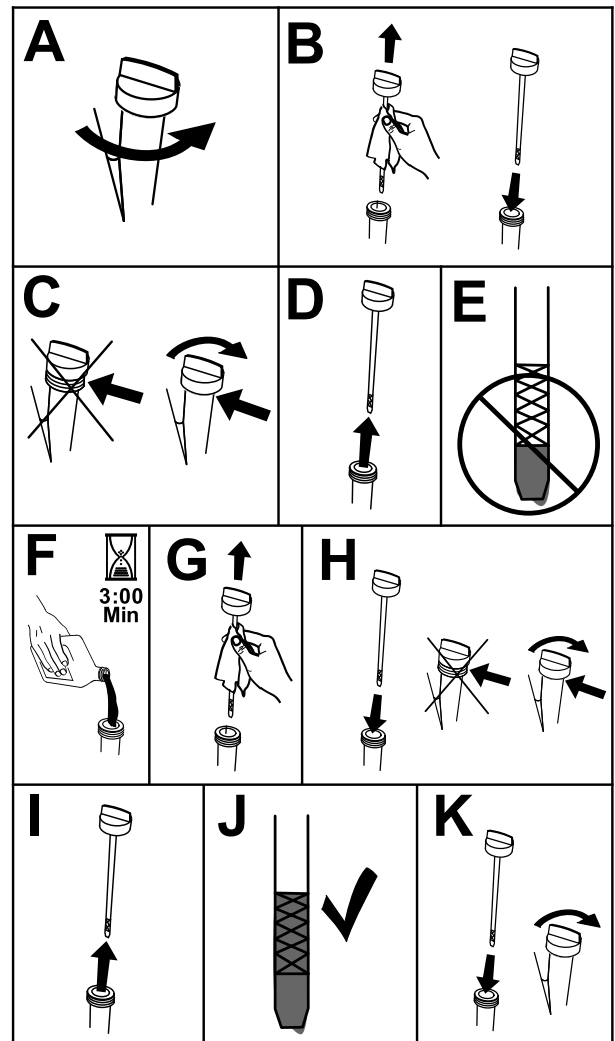
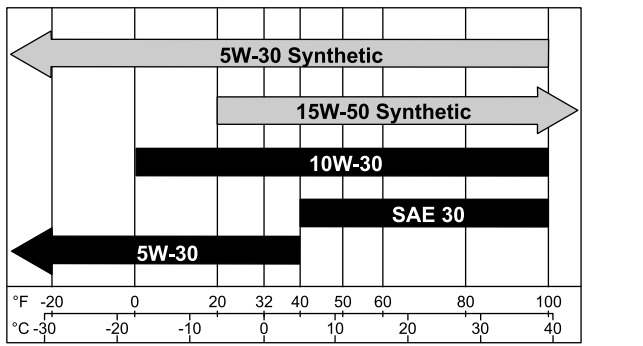
Mantenimiento del aceite del motor

Especificaciones de aceite del motor

Tipo de aceite: Aceite detergente (incluyendo sintético) de servicio API SJ o superior

Capacidad del cárter: 1.9 litros (64 onzas fluidas) con filtro de aceite; 1.8 litros (60 onzas fluidas) sin filtro de aceite

Viscosidad: Consulte la tabla siguiente.



Comprobación del nivel de aceite del motor

Intervalo de mantenimiento: Cada vez que se utilice o diariamente

Nota: Compruebe el aceite con el motor frío.

Importante: Si sobrecarga o no llena lo suficiente el cárter del motor con aceite, podría dañarse el motor al ponerse en marcha.

1. Aparque la máquina en una superficie nivelada, desengrane el mando de control de las cuchillas y ponga las palancas de control de movimiento hacia fuera a la posición de APARCAR.
2. Apague el motor, retire la llave y espere a que se detengan todas las piezas en movimiento antes de abandonar el puesto del operador.

Nota: Asegúrese de que el motor está frío, y que el aceite ha tenido tiempo para drenarse al cárter.

3. Para que no entre suciedad, recortes de hierba, etc., en el motor, limpie la zona alrededor del tapón de llenado/varilla de aceite antes de retirarlo (Figura 34).

Cambio del aceite del motor y del filtro de aceite

Intervalo de mantenimiento: Cada 100 horas o cada año, lo que ocurra primero—Cambio del aceite del motor y del filtro de aceite (más a menudo en condiciones de mucho polvo o suciedad).

1. Aparque la máquina en una superficie nivelada para asegurarse de que el aceite drene por completo.
2. Desengrane el mando de control de las cuchillas y ponga las palancas de control de movimiento hacia fuera a la posición de APARCAR.
3. Pare el motor, retire la llave y espere a que se detengan todas las piezas en movimiento antes de abandonar el puesto del operador.
4. Drene el aceite del motor (Figura 35).

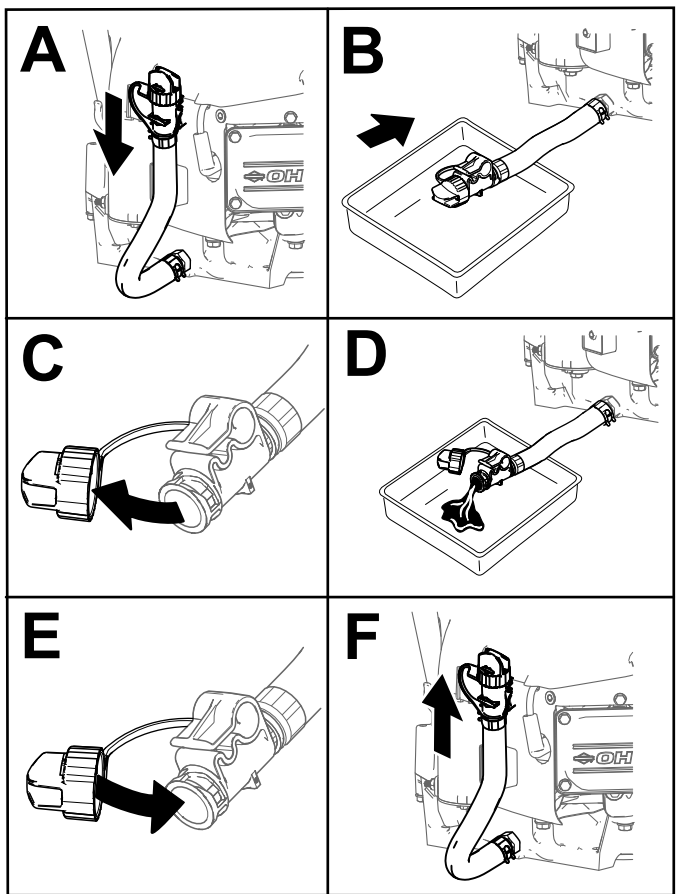


Figura 35

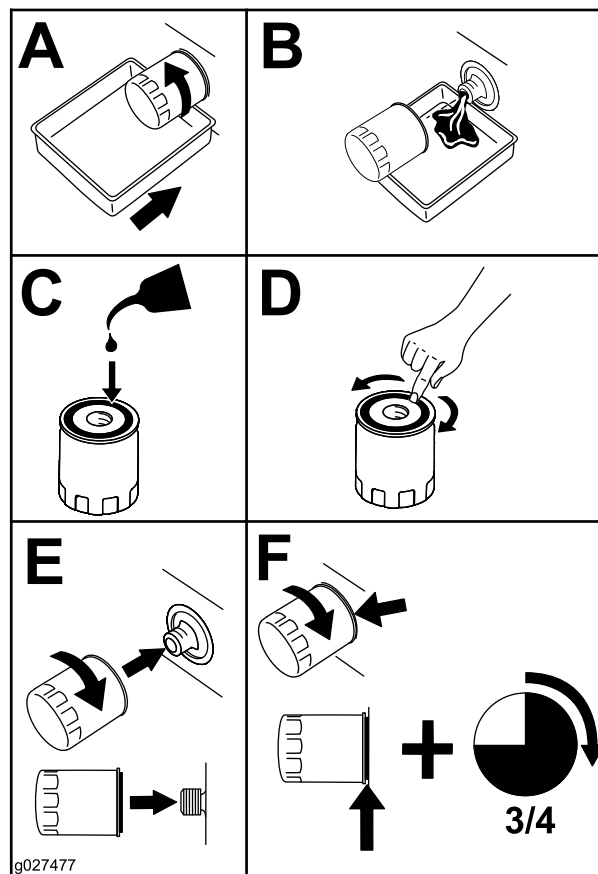


Figura 36

6. Vierta lentamente un 80% aproximadamente del aceite especificado por el tubo de llenado, luego añada lentamente el resto del aceite hasta que llegue a la marca de Lleno (Figura 37).

5. Sustituya el filtro de aceite del motor (Figura 36).

Nota: Asegúrese de que la junta del filtro de aceite toca el motor, luego apriete el filtro $\frac{3}{4}$ de vuelta más.

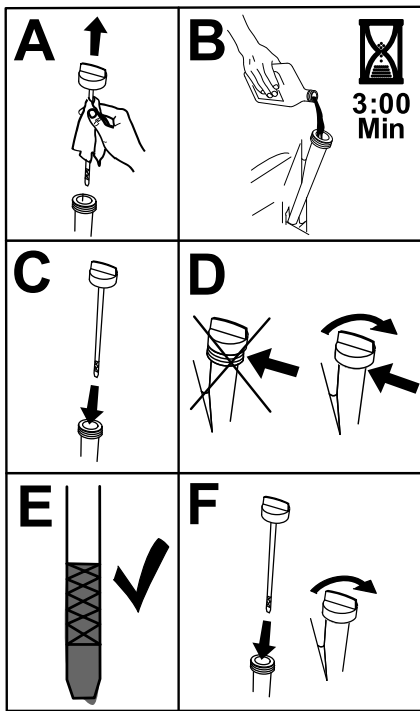


Figura 37

g373565

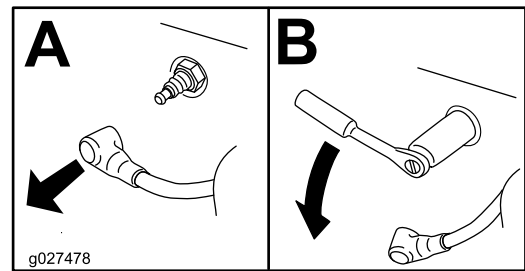


Figura 38

g027478

Inspección de la bujía

Importante: No limpie la(s) bujía(s). Cambie siempre las bujías si tienen un revestimiento negro, electrodos desgastados, una película aceitosa o grietas.

Si se observa un color gris o marrón claro en el aislante, el motor está funcionando correctamente. Si el aislante aparece de color negro, significa que el limpiador de aire está sucio.

Ajuste la distancia a 0.75 mm (0.03").

7. Elimine el aceite usado en un centro de reciclaje.

Mantenimiento de la bujía

Intervalo de mantenimiento: Cada año—Cambie la(s) bujía(s).

Asegúrese de que la distancia entre los electrodos central y lateral es correcta antes de instalar la bujía. Utilice una llave para bujías para desmontar e instalar la bujía y una galga de espesores/herramienta de separación de electrodos para comprobar y ajustar la distancia entre los mismos. Instale una bujía nueva si es necesario.

Tipo: Champion® XC92YC

Distancia entre electrodos: 0.76 mm (0.03")

Retirada de la bujía

1. Aparque la máquina en una superficie nivelada, desengrane el mando de control de las cuchillas y mueva las palancas de control de movimiento hacia fuera a la posición APARCAR.
2. Pare el motor, retire la llave y espere a que se detengan todas las piezas en movimiento antes de abandonar el puesto del operador. Deje que el motor se enfríe.
3. Limpie la zona alrededor de la base de la bujía para que no caiga suciedad en el motor.
4. Retire la bujía (Figura 38).

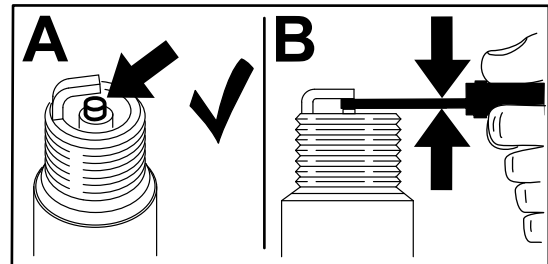


Figura 39

g206628

Instalación de la bujía

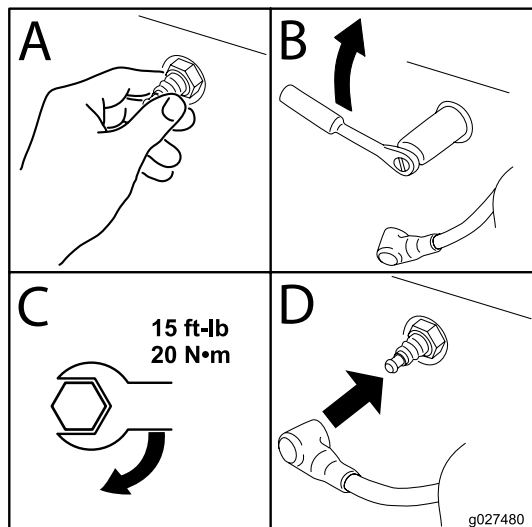


Figura 40

g027480

Limpieza del sistema de refrigeración

1. Aparque la máquina en una superficie nivelada, desengrane el mando de control de las cuchillas y mueva las palancas de control de movimiento hacia fuera a la posición APARCAR.
2. Apague el motor, retire la llave y espere a que se detengan todas las piezas en movimiento antes de abandonar el puesto del operador.
3. Retire el filtro de aire del motor.
4. Retire la cubierta del motor.
5. Para evitar que se introduzcan residuos en la entrada de aire, instale el filtro de aire en la base del filtro.
6. Limpie cualquier hierba y residuo de todas las piezas.
7. Retire el filtro de aire e instale la cubierta del motor.
8. Instale el filtro de aire.

Mantenimiento del sistema de combustible

⚠ PELIGRO

En ciertas condiciones, el combustible es extremadamente inflamable y altamente explosivo. Un incendio o una explosión provocados por el combustible puede causarle quemaduras a usted y a otras personas así como daños materiales.

Consulte [Seguridad en el manejo del combustible \(página 14\)](#) para obtener una lista completa de precauciones relacionadas con el sistema de combustible.

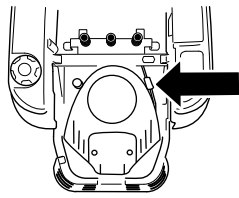
Cambio del filtro de combustible en línea

Intervalo de mantenimiento: Cada año—Cambio del filtro de combustible en línea.

No instale nunca un filtro sucio después de retirarlo del tubo de combustible.

1. Aparque la máquina en una superficie nivelada, desengrane el mando de control de las cuchillas y ponga las palancas de control de movimiento hacia fuera a la posición de APARCAR.
2. Pare el motor, retire la llave y espere a que se detengan todas las piezas en movimiento antes de abandonar el puesto del operador. Deje que el motor se enfríe.
3. Cambie el filtro ([Figura 41](#)).

Nota: Asegúrese de que la flecha de dirección de flujo del filtro nuevo apunta hacia el motor.



g400218

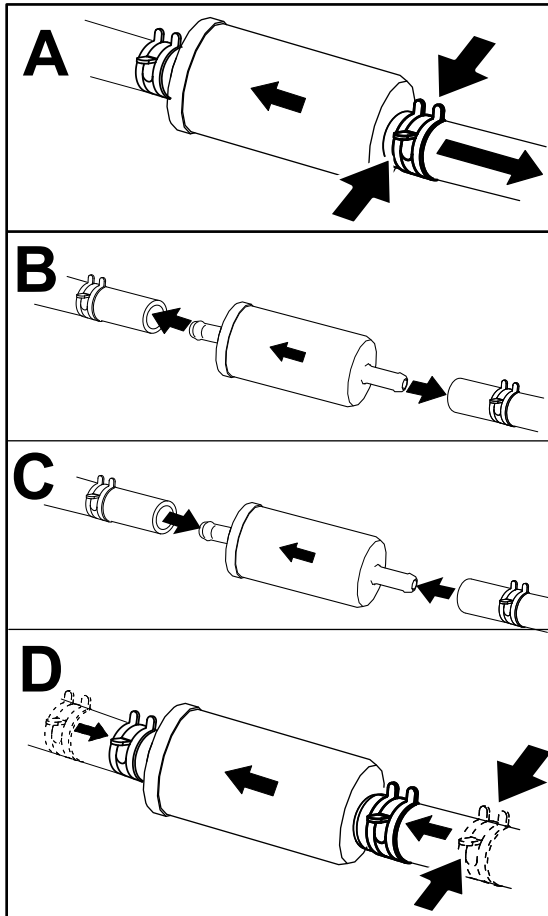


Figura 41

g400217

Mantenimiento del sistema eléctrico

Seguridad del sistema eléctrico

- Desconecte el cable del borne negativo de la batería antes de reparar la máquina.
- Cargue la batería en una zona abierta y bien ventilada, lejos de chispas y llamas. Desenchufe el cargador antes de conectar o desconectar la batería. Lleve ropa protectora y utilice herramientas aisladas.

Mantenimiento de la batería

Retirada de la batería

⚠ ADVERTENCIA

Los bornes de la batería o una herramienta metálica podrían hacer cortocircuito si entran en contacto con los componentes metálicos de la máquina, causando chispas. Las chispas podrían hacer explotar los gases de la batería, causando lesiones personales.

- Al retirar o colocar la batería, no deje que los bornes toquen ninguna parte metálica de la máquina.
- No deje que las herramientas metálicas hagan cortocircuito entre los bornes de la batería y las partes metálicas de la máquina.

1. Aparque la máquina en una superficie nivelada, desengrane el mando de control de las cuchillas y mueva las palancas de control de movimiento hacia fuera a la posición APARCAR.
2. Apague el motor, retire la llave y espere a que se detengan todas las piezas en movimiento antes de abandonar el puesto del operador.
3. Levante el asiento para tener acceso a la batería.
4. Desconecte el cable negativo de tierra (negro) del borne de la batería (Figura 42).

Nota: Guarde todas las fijaciones.

⚠ ADVERTENCIA

Una desconexión incorrecta de los cables de la batería podría dañar la máquina y los cables, causando chispas. Las chispas podrían hacer explotar los gases de la batería, causando lesiones personales.

- **Desconecte siempre el cable negativo (negro) de la batería antes de desconectar el cable positivo (rojo).**
 - **Conecte siempre el cable positivo (rojo) de la batería antes de conectar el cable negativo (negro).**
5. Retire la cubierta de goma del cable positivo (rojo).
 6. Desconecte el cable positivo (rojo) del borne de la batería (Figura 42).
- Nota:** Guarde todos los herrajes.
7. Retire la correa de sujeción de la batería (Figura 42) y levante la batería para retirarla de su bandeja.

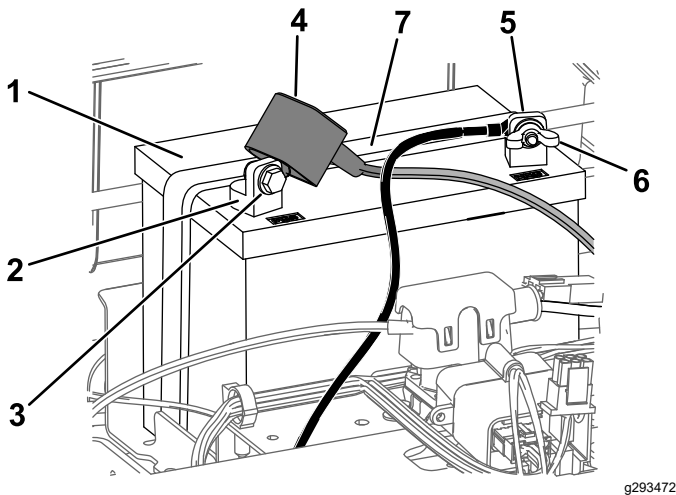


Figura 42

- | | |
|-------------------------------------|---|
| 1. Batería | 5. Borne negativo (-) de la batería |
| 2. Borne positivo (+) de la batería | 6. Tuerca de orejeta, arandela, y perno |
| 3. Perno, arandela y tuerca | 7. Perno de sujeción de la batería |
| 4. Cubierta del borne | |

Cómo cargar la batería

Intervalo de mantenimiento: Antes del almacenamiento—Cargue la batería y desconecte los cables.

1. Retire la batería del chasis; consulte [Retirada de la batería \(página 40\)](#).
2. Cargue la batería a un ritmo de 6 a 10 amperios durante 1 hora como mínimo.

Nota: No sobrecargue la batería.

3. Cuando la batería esté completamente cargada, desconecte el cargador de la toma de electricidad, luego desconecte los cables del cargador de los bornes de la batería (Figura 43).

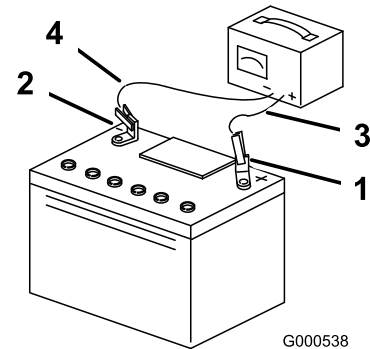


Figura 43

- | | |
|-------------------------------------|--|
| 1. Borne positivo (+) de la batería | 3. Cable rojo (+) del cargador batería |
| 2. Borne negativo (-) de la batería | 4. Cable negro (-) del cargador |

Instalación de la batería

1. Coloque la batería en la bandeja (Figura 42).
2. Usando las fijaciones que retiró anteriormente, conecte el cable positivo (rojo) al borne positivo (+) de la batería.
3. Usando las fijaciones que retiró anteriormente, conecte el cable negativo al borne negativo (-) de la batería.
4. Deslice la cubierta de goma roja sobre el borne positivo (rojo) de la batería.
5. Fije la batería con la correa de sujeción (Figura 42).
6. Baje el asiento.

Mantenimiento de los fusibles

El sistema eléctrico está protegido con fusibles. No requiere mantenimiento; no obstante, si se funde un fusible, compruebe que no hay avería ni cortocircuito en el componente/circuito.

Tipo de fusible:

- Principal – F1 (25 amperios, tipo chapa)
 - Circuito de carga – F2 (15 amperios, tipo chapa)
1. Aparque la máquina en una superficie nivelada, desengrane el mando de control de las cuchillas y ponga las palancas de control de movimiento hacia fuera a la posición de APARCAR.
 2. Pare el motor, retire la llave y espere a que se detengan todas las piezas en movimiento antes de abandonar el puesto del operador.
 3. Levante el asiento para tener acceso a los fusibles.
 4. Para cambiar un fusible, tire del fusible para retirarlo (Figura 44).

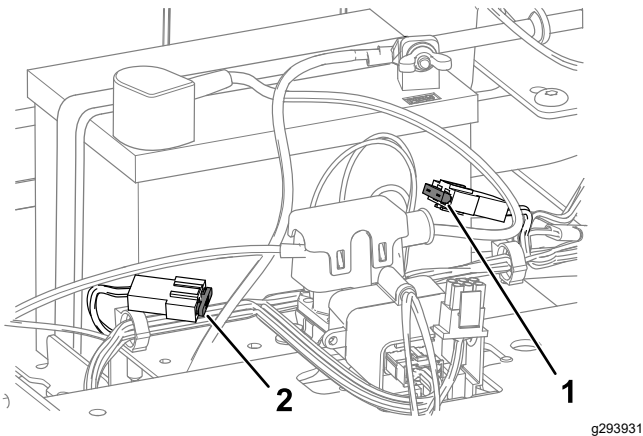


Figura 44

1. Circuito de carga (15 A)
2. Principal (25 A)

5. Baje el asiento.

Mantenimiento del sistema de transmisión

Comprobación de la presión de los neumáticos

Intervalo de mantenimiento: Cada 25 horas—Comprobación de la presión de los neumáticos.

Mantenga la presión especificada de los neumáticos delanteros y traseros. Una presión desigual en los neumáticos puede hacer que el corte sea desigual. Compruebe la presión en la válvula (Figura 45). Las lecturas de presión son más exactas cuando los neumáticos están fríos.

Infle las ruedas giratorias delanteras a 2.06 bar (30 psi) o a la presión que se indica en el flanco, la que sea inferior.

Infle los neumáticos de las ruedas motrices traseros a 0.9 bar (13 psi).

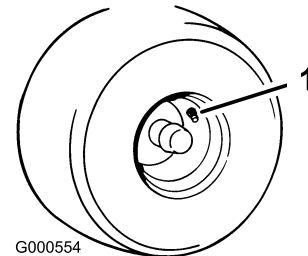


Figura 45

1. Vástago de la válvula

Para quitar el freno eléctrico

Puede quitar manualmente el freno eléctrico girando los brazos de enganche hacia adelante. Una vez que se energice el freno eléctrico, el freno quedará puesto de nuevo.

1. Gire la llave a la posición de DESCONECTADO y retire la llave.
2. Desconecte la batería.
3. Localice el eje del freno eléctrico al que están conectados los brazos de enganche de los frenos (Figura 46).
4. Gire el eje para quitar el freno (Figura 46).
5. Conecte la batería después de mover la máquina.

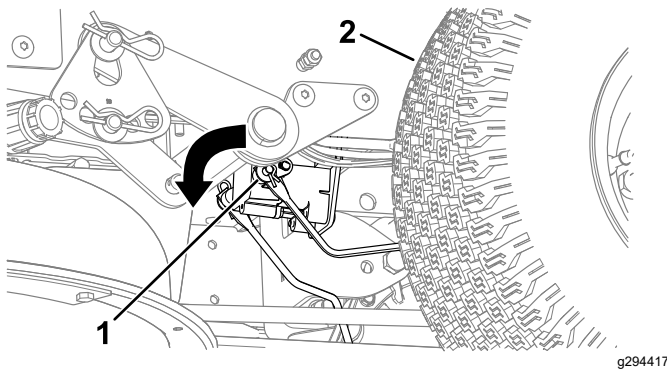


Figura 46

1. Brazo de enganche del freno en el módulo de control del freno eléctrico
2. Neumático trasero izquierdo

Ajuste de la dirección

Si la máquina se desvía hacia un lado al conducirla hacia adelante a velocidad máxima en una superficie plana y nivelada, ajuste la dirección.

Si la máquina se desvía hacia la izquierda, ajuste la palanca de control de movimiento derecha; si la máquina se desvía hacia la derecha, ajuste la palanca de control de movimiento izquierda.

Nota: Sólo puede ajustar la dirección para la conducción hacia adelante.

1. Aparque la máquina en una superficie nivelada, desengrane el mando de control de las cuchillas y mueva las palancas de control de movimiento hacia fuera a la posición APARCAR.
2. Pare el motor, retire la llave y espere a que se detengan todas las piezas en movimiento antes de abandonar el puesto del operador.

3. Localice el perno de ajuste de la dirección cerca de la palanca de control de movimiento del lado que debe ajustarse (Figura 47).

Nota: Levante el asiento para facilitar el acceso al perno de ajuste.

4. Gire el perno para reducir la velocidad de esa rueda en particular.

Nota: Gire el perno una pequeña cantidad para realizar ajustes menores.

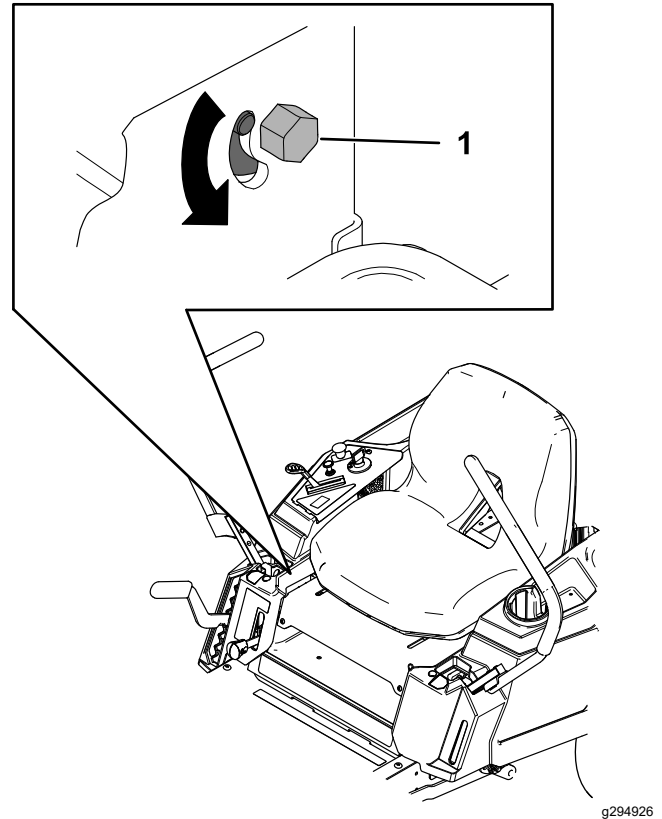


Figura 47

1. Perno

5. Arranque la máquina y conduzca hacia adelante por una superficie plana y nivelada con las palancas de control de movimiento totalmente hacia adelante para comprobar si la máquina avanza en línea recta. Repita el procedimiento según sea necesario.

Mantenimiento de las correas

Inspección de las correas

Intervalo de mantenimiento: Cada 25 horas—Compruebe que las correas no están desgastadas ni agrietadas.

Cambie la correa si está desgastada. Las señales de una correa desgastada incluyen chirridos cuando la correa está en movimiento, patinaje de las cuchillas durante la siega, bordes deshilachados, o marcas de quemaduras o grietas.

Sustitución de la correa del cortacésped

Las señales de una correa desgastada incluyen chirridos cuando la correa está en movimiento, patinaje de las cuchillas durante la siega, bordes deshilachados, o marcas de quemaduras o grietas. Cambie la correa si observa cualquiera de estas condiciones.

1. Aparque la máquina en una superficie nivelada, desengrane el mando de control de las cuchillas y mueva las palancas de control de movimiento hacia fuera a la posición APARCAR.
2. Apague el motor, retire la llave y espere a que se detengan todas las piezas en movimiento antes de abandonar el puesto del operador.
3. Ajuste la altura de corte a la posición más baja de 38 mm (1½").
4. Retire el pasador de horquilla y presione la pestaña de la cubierta para retirar las cubiertas de las poleas (Figura 48).

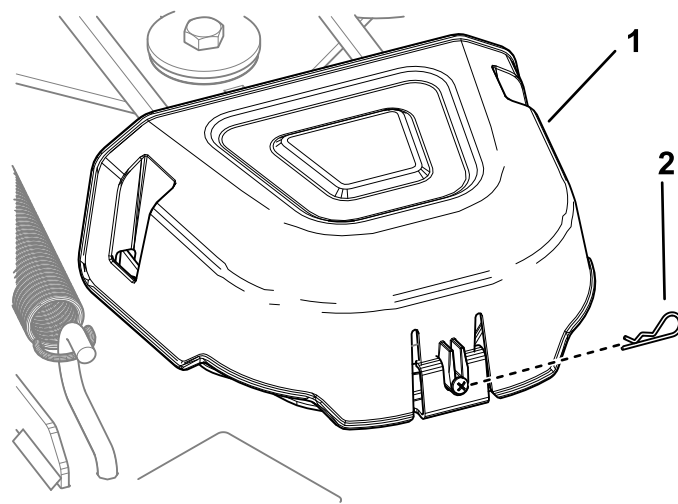


Figura 48

g332328

1. Tapa
2. Chaveta

5. Usando una herramienta para la retirada de muelles (Pieza Toro N° 92-5771), retire el muelle tensor del gancho de la carcasa para eliminar la tensión de la polea tensora, y retire la correa de las poleas (Figura 49).

⚠ ADVERTENCIA

El muelle está tensado cuando está instalado, y puede causar lesiones personales.

Tenga cuidado al retirar la correa.

Mantenimiento del cortacésped

Seguridad de las cuchillas

- Inspeccione periódicamente las cuchillas en busca de desgaste y daños.
- Tenga cuidado al revisar las cuchillas. Envuelva las cuchillas o lleve guantes, y extreme las precauciones al realizar el mantenimiento de las cuchillas. Solo reemplace o afile las cuchillas; no las enderece ni las suelde nunca.
- En máquinas con múltiples cuchillas, tenga cuidado puesto que girar una cuchilla puede hacer que giren otras cuchillas.
- Sustituya cuchillas o pernos gastados o dañados en conjuntos completos para no desequilibrar la máquina.

Mantenimiento de las cuchillas de corte

Para garantizar una calidad de corte superior, mantenga afiladas las cuchillas. Para que el afilado y la sustitución sean más cómodos, conserve un stock de cuchillas de repuesto.

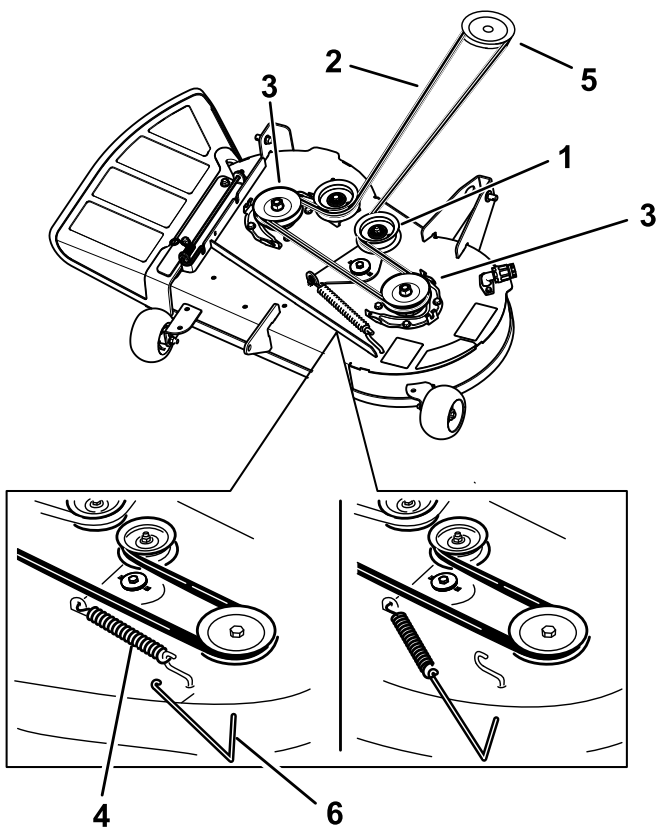
Antes de inspeccionar o realizar mantenimiento en las cuchillas

1. Aparque la máquina en una superficie nivelada, desengrane el mando de control de las cuchillas y ponga las palancas de control de movimiento hacia fuera a la posición de APARCAR.
2. Apague el motor, retire la llave y desconecte los cables de las bujías.

Inspección de las cuchillas

Intervalo de mantenimiento: Cada vez que se utilice o diariamente

1. Inspeccione los filos de corte (Figura 50).
2. Si los filos están romos o tienen muescas, retire la cuchilla y afílela; consulte [Afilado de las cuchillas \(página 47\)](#).
3. Inspeccione las cuchillas, especialmente en la parte curva.
4. Si observa fisuras, desgaste o la formación de una ranura en esta zona, instale de inmediato una cuchilla nueva (Figura 50).



g331295

Figura 49

- | | |
|---------------------------|--|
| 1. Polea tensora | 4. Muelle |
| 2. Correa del cortacésped | 5. Polea del motor |
| 3. Polea exterior | 6. Herramienta para la retirada de muelles |

6. Pase la correa nueva alrededor de las poleas del motor y del cortacésped (Figura 49).
7. Usando una herramienta para la retirada de muelles (Pieza Toro N.º 92-5771), instale el muelle tensor sobre el gancho de la carcasa y tense la polea tensora y la correa (Figura 49).
8. Instale las cubiertas de la polea.

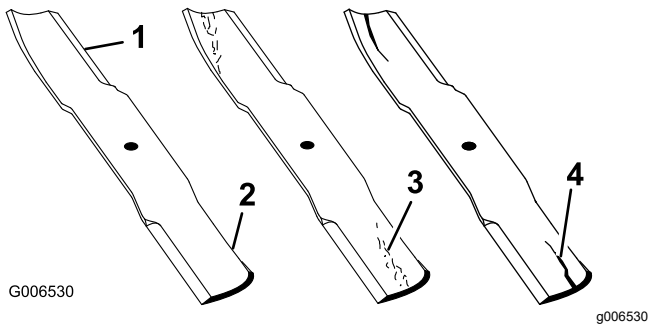


Figura 50

- | | |
|------------------|---------------------------------|
| 1. Filo de corte | 3. Formación de ranura/desgaste |
| 2. Parte curva | 4. Grieta |

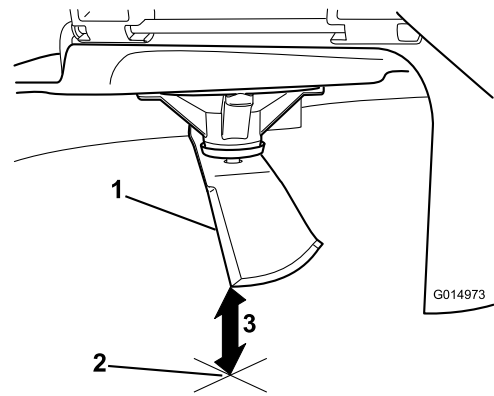


Figura 52

1. Cuchilla (posicionada para la medición)
2. Superficie nivelada
3. Distancia medida entre la cuchilla y la superficie (A)

g014973

Verificación de la rectilinealidad de las cuchillas

Nota: La máquina debe estar sobre una superficie nivelada para realizar el procedimiento siguiente.

1. Eleve la carcasa de corte a la altura de corte más alta.
2. Llevando guantes fuertemente acolchados u otro tipo de protección apropiada para las manos, gire la cuchilla lentamente hasta una posición que permita medir la distancia entre el filo de corte y la superficie nivelada en la que descansa la máquina ([Figura 51](#)).

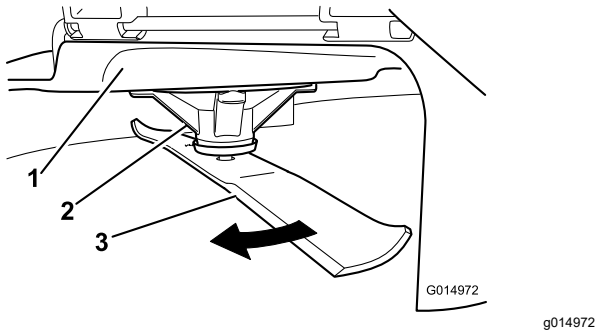


Figura 51

- | | |
|------------------------|-------------|
| 1. Carcasa | 3. Cuchilla |
| 2. Alojamiento del eje | |

g014972

4. Gire la misma cuchilla 180 grados de manera que el otro extremo esté en la misma posición ([Figura 53](#)).

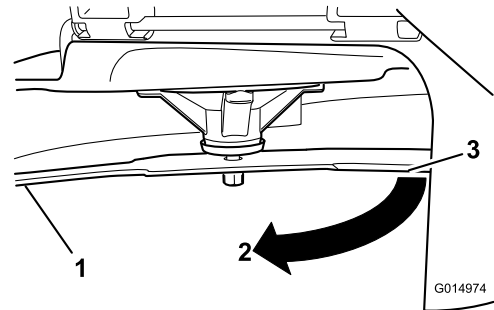


Figura 53

1. Cuchilla (lado medido anteriormente)
2. Medición (misma posición que antes)
3. Lado opuesto de la cuchilla pasando a la posición de medición

g014974

5. Mida desde la punta de la cuchilla hasta la superficie plana ([Figura 54](#)).

Nota: La diferencia no debe ser superior a 3 mm ($\frac{1}{8}$ ").

3. Mida desde la punta de la cuchilla hasta la superficie plana ([Figura 52](#)).

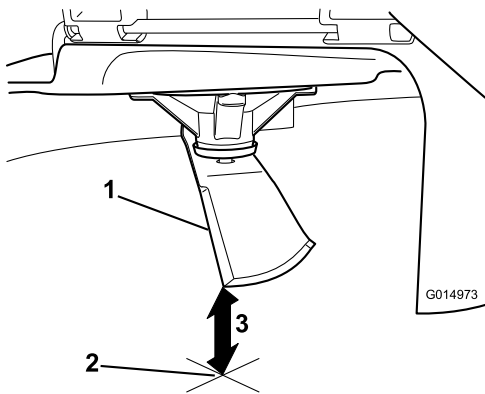


Figura 54

g014973

1. Filo opuesto de la cuchilla (posicionada para la medición)
2. Superficie nivelada
3. Segunda distancia medida entre cuchilla y superficie (B)

A. Si la diferencia entre A y B es de más de 3 mm ($\frac{1}{8}$ "), sustituya la cuchilla por una cuchilla nueva; consulte [Cómo retirar las cuchillas](#) (página 47) y [Instalación de las cuchillas](#) (página 47).

Nota: Si cambia una cuchilla doblada por una nueva, y la dimensión obtenida sigue siendo de más de 3 mm ($\frac{1}{8}$ "), el eje de la cuchilla podría estar doblado. Póngase en contacto con su Servicio Técnico Autorizado para que revise la máquina.

B. Si la diferencia está dentro de los límites, pase a la cuchilla siguiente.

6. Repita este procedimiento con cada cuchilla.

Cómo retirar las cuchillas

Cambie las cuchillas si han golpeado un objeto sólido o si una cuchilla está desequilibrada o doblada.

1. Sujete el extremo de la cuchilla usando un trapo o un guante grueso.
2. Retire la cuchilla del eje de la cuchilla.

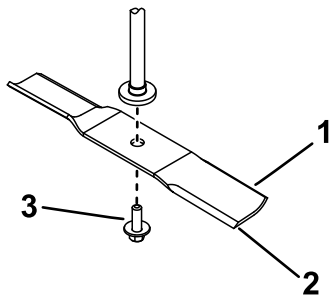


Figura 55

g462553

1. Vela de la cuchilla
2. Cuchilla
3. Perno de la cuchilla

Afilado de las cuchillas

1. Utilice una lima para afilar el filo de corte en ambos extremos de la cuchilla (Figura 56).

Nota: Mantenga el ángulo original.

Nota: La cuchilla permanece equilibrada si se retira la misma cantidad de material de ambos bordes de corte.

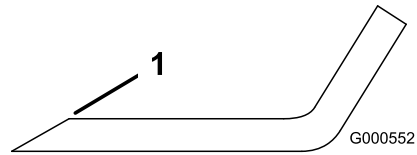


Figura 56

G000552

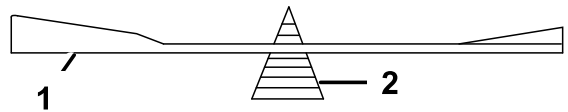
g000552

1. Afile con el ángulo original.

2. Verifique el equilibrio de la cuchilla colocándola sobre un equilibrador de cuchillas (Figura 57).

Nota: Si la cuchilla se mantiene horizontal, está equilibrada y puede utilizarse.

Nota: Si la cuchilla no está equilibrada, rebaje algo el metal en la parte de la vela solamente con una lima (Figura 56).



G000553

g000553

Figura 57

1. Cuchilla
2. Equilibrador

3. Repita este procedimiento hasta que la cuchilla esté equilibrada.

Instalación de las cuchillas

1. Instale la cuchilla en el eje de la cuchilla.

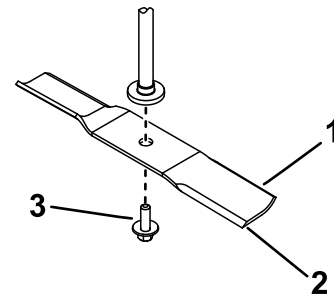


Figura 58

g462553

1. Vela de la cuchilla
2. Cuchilla
3. Perno de la cuchilla

2. Apriete el perno de la cuchilla a 81–108 N·m (60 a 80 pies-libra).

Nivelación de la carcasa de corte

Compruebe que la carcasa de corte está nivelada cada vez que instale el cortacésped o cuando observe un corte desigual en el césped.

Es necesario comprobar que las cuchillas no están dobladas antes de nivelar la carcasa, y retire y sustituya cualquier cuchilla que esté doblada; consulte [Mantenimiento de las cuchillas de corte \(página 45\)](#) antes de continuar.

Nivele el cortacésped lateralmente primero, luego puede ajustar la inclinación longitudinal.

Requisitos:

- La máquina debe estar sobre una superficie nivelada.
- Todos los neumáticos deben estar correctamente inflados; consulte [Comprobación de la presión de los neumáticos \(página 42\)](#).

Comprobación de la nivelación lateral

1. Aparque la máquina en una superficie nivelada, desengrane el mando de control de las cuchillas (TDF) y ponga las palancas de control de movimiento hacia fuera a la posición de APARCAR.
2. Pare el motor, retire la llave y espere a que se detengan todas las piezas en movimiento antes de abandonar el puesto del operador.
3. Ajuste la altura de corte a 76 mm (3").
4. Gire cuidadosamente las cuchillas colocándolas perpendicularmente al sentido de avance de la máquina.
5. Mida entre los bordes de corte exteriores y la superficie plana ([Figura 59](#)).

Nota: Si hay una diferencia de más de 5 mm (3/16") entre ambas dimensiones, se requiere un ajuste; consulte [Nivelación lateral \(página 49\)](#).

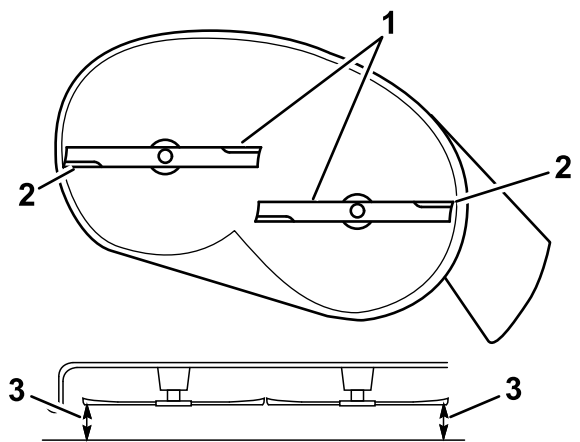


Figura 59

g294044

1. Cuchillas en posición perpendicular a la máquina
2. Bordes de corte exteriores
3. Mida aquí la distancia entre la punta de la cuchilla y la superficie plana.

Comprobación de la inclinación longitudinal de las cuchillas

Verifique la inclinación longitudinal de las cuchillas cada vez que instale el cortacésped. Si la parte delantera del cortacésped está más de 7.9 mm (5/16") más baja que la parte trasera del cortacésped, ajuste la inclinación de las cuchillas.

1. Aparque la máquina en una superficie nivelada, desengrane el mando de control de las cuchillas (TDF) y ponga las palancas de control de movimiento hacia fuera a la posición de APARCAR.
2. Pare el motor, retire la llave y espere a que se detengan todas las piezas en movimiento antes de abandonar el puesto del operador.
3. Ajuste la altura de corte a 76 mm (3").
4. Gire cuidadosamente las cuchillas colocándolas en el sentido de avance de la máquina ([Figura 60](#)).
5. Mida entre la punta de la cuchilla delantera y la superficie plana y entre la punta de la cuchilla trasera y la superficie plana ([Figura 60](#)).

Nota: Si la punta de la cuchilla delantera no está entre 1.6 mm y 7.9 mm (1/16" y 5/16") más baja que la punta de la cuchilla trasera, continúe con el procedimiento [Comprobación de la inclinación longitudinal de las cuchillas \(página 48\)](#).

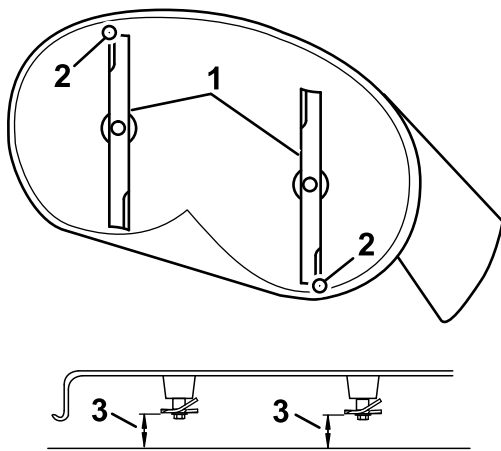


Figura 60

g294046

1. Cuchillas hacia adelante y hacia atrás
2. Bordes de corte exteriores
3. Mida aquí la distancia entre la punta de la cuchilla y la superficie plana.

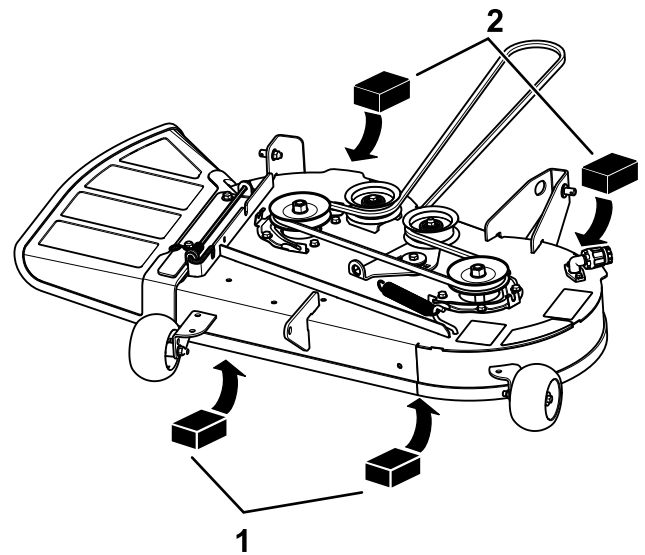


Figura 61

g331321

1. Bloque de madera – 6.6 cm (2⁵/₈") de grosor
2. Bloque de madera – 7.3 cm (2⁷/₈") de grosor

Nivelación lateral

1. Vaya al lado izquierdo de la máquina.
2. Ajuste los rodillos protectores del césped en los taladros superiores o retírelos completamente para este procedimiento; consulte [Ajuste de los rodillos protectores del césped](#) (página 26).
3. Ponga la palanca de altura de corte en la posición de 76 mm (3"); consulte [Ajuste de la altura de corte](#) (página 26).
4. Coloque dos bloques de 6.6 cm (2⁵/₈") de grosor debajo de cada lado del borde delantero de la carcasa, pero no debajo de los soportes de los rodillos protectores del césped (Figura 61).
5. Coloque dos bloques de 7.3 cm (2⁷/₈") de grosor debajo del borde trasero del faldón de la carcasa de corte, uno en cada lado de la carcasa de corte (Figura 61).

6. Retire la chaveta y la arandela del pasador inferior del brazo de elevación (Figura 62).

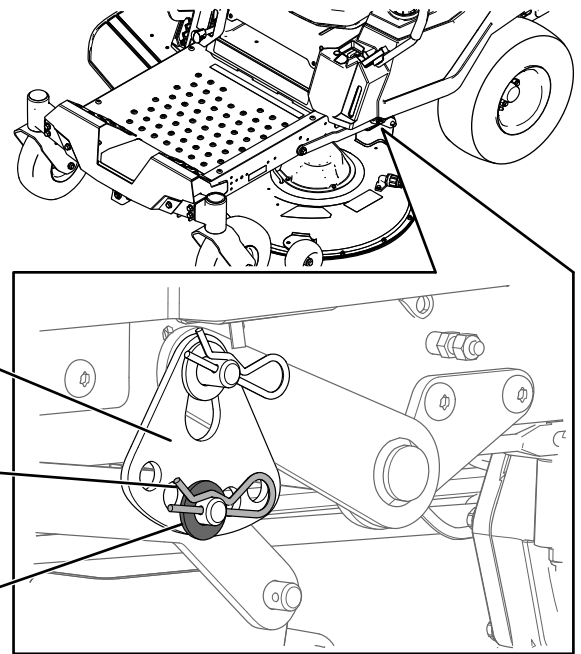


Figura 62

g294197

1. Pletina de altura de corte
2. Chaveta
3. Arandela

7. Gire la placa de ajuste de la altura de corte a otro orificio para que apoye el peso de la carcasa de corte después de instalar la placa (Figura 63).

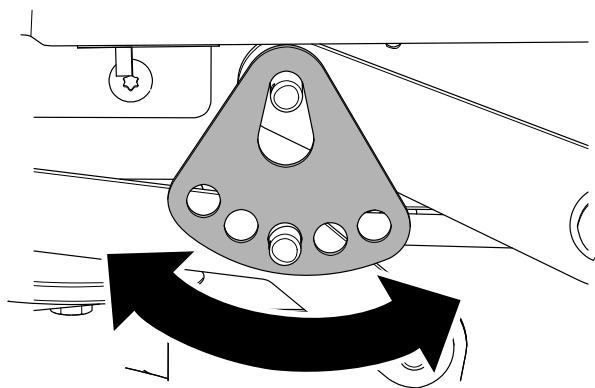


Figura 63

g294195

8. Instale la arandela y la chaveta (Figura 63).
9. Repita los pasos 6 a 8 en el otro lado de la máquina.
10. Compruebe la nivelación lateral otra vez; repita este procedimiento hasta que las medidas sean correctas.
11. Siga nivelando la carcasa de corte comprobando la inclinación longitudinal (delante/detrás) de las cuchillas; consulte [Comprobación de la inclinación longitudinal de las cuchillas \(página 48\)](#).

Ajuste de la inclinación longitudinal de las cuchillas

1. Gire la tuerca de ajuste de la parte delantera del cortacésped (Figura 64).

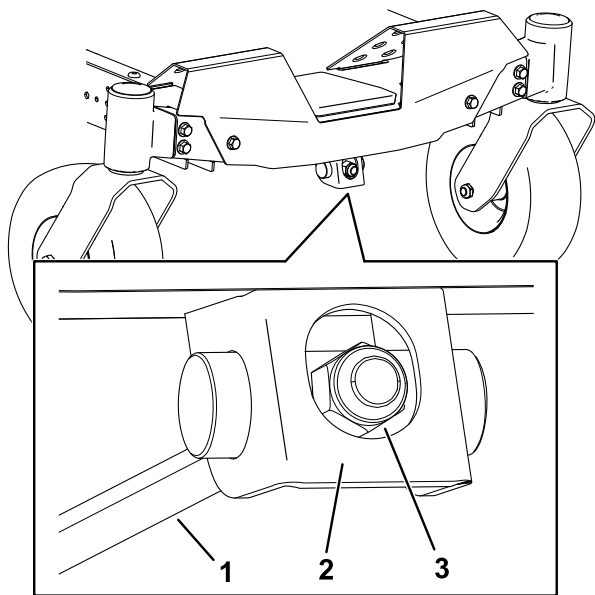


Figura 64

g294471

- | | |
|----------------------|---------------------|
| 1. Varilla de ajuste | 3. Tuerca de ajuste |
| 2. Bloque de ajuste | |

2. Para elevar la parte delantera de la carcasa del cortacésped, apriete la tuerca de ajuste.
3. Para bajar la parte delantera de la carcasa del cortacésped, afloje la tuerca de ajuste.
4. Después de realizar el ajuste, compruebe de nuevo la inclinación longitudinal, y siga ajustando la tuerca hasta que la punta de la cuchilla delantera esté entre 1.6 y 7.9 mm (1/16" a 5/16") más baja que la punta de la cuchilla trasera; consulte [Comprobación de la inclinación longitudinal de las cuchillas \(página 48\)](#).
5. Cuando la inclinación longitudinal sea correcta, compruebe de nuevo la nivelación lateral de la carcasa del cortacésped; consulte [Comprobación de la nivelación lateral \(página 48\)](#).

Retirada de la Carcasa del Cortacésped

1. Aparque la máquina en una superficie nivelada, desengrane el mando de control de las cuchillas (TDF) y ponga las palancas de control de movimiento hacia fuera a la posición de APARCAR.
2. Apague el motor, retire la llave y espere a que se detengan todas las piezas en movimiento antes de abandonar el puesto del operador.
3. Baje la palanca de ajuste de la altura de corte a la posición más baja.
4. Retire la chaveta de la varilla de soporte delantera y retire la varilla del soporte de la carcasa (Figura 65).

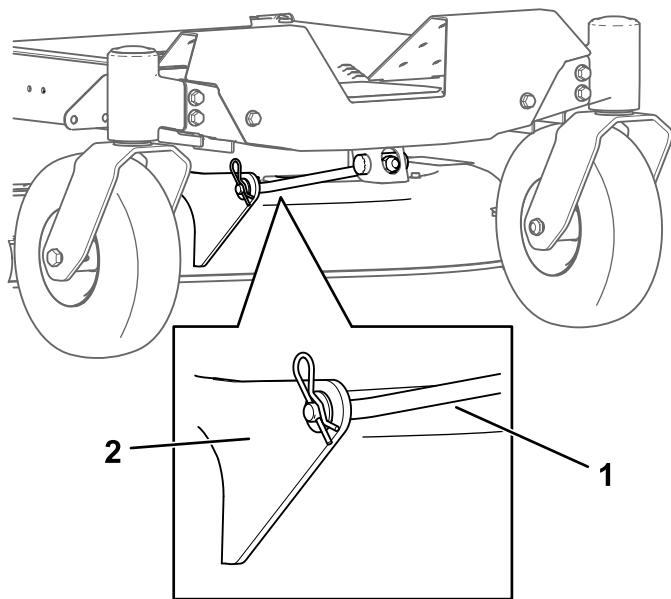


Figura 65

g366001

1. Varilla de soporte delantera 2. Soporte de la carcasa delantera

5. Baje cuidadosamente la parte delantera de la carcasa de corte al suelo.
6. En un lado de la máquina, retire la arandela y la chaveta del pasador de la carcasa (Figura 66).

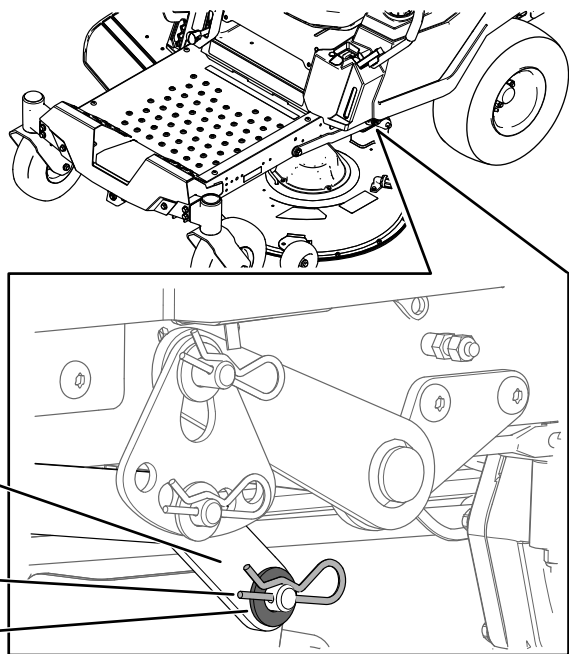


Figura 66

g295768

1. Brazo de elevación 3. Arandela
2. Chaveta

7. Retire el brazo de elevación del pasador de la carcasa (Figura 66).
8. Repita los pasos 6 y 7 en el otro lado de la máquina.

9. Deslice la carcasa de corte hacia atrás para retirar la correa del cortacésped de la polea del motor.
10. Retire la carcasa de corte de debajo de la máquina.

Nota: Guarde todas las piezas para instalaciones futuras.

Instalación de la carcasa de corte

1. Aparque la máquina en una superficie nivelada, desengrane el mando de control de las cuchillas (TDF) y ponga las palancas de control de movimiento hacia fuera a la posición de APARCAR.
2. Apague el motor, retire la llave y espere a que se detengan todas las piezas en movimiento antes de abandonar el puesto del operador.
3. Deslice el cortacésped debajo de la máquina.
4. Baje la palanca de ajuste de la altura de corte a la posición más baja.
5. En un lado de la máquina, levante la parte trasera de la carcasa de corte e instale el brazo de elevación en el pasador de la carcasa (Figura 66).
6. Instale el brazo de elevación usando la arandela y la chaveta (Figura 66).
7. Repita los pasos 5 y 6 en el otro lado de la máquina.
8. Conecte la varilla de soporte delantera a la carcasa de corte con el pasador y la chaveta (Figura 65).
9. Instale la correa del cortacésped sobre la polea del motor; consulte [Sustitución de la correa del cortacésped \(página 44\)](#).

Cambio del deflector de hierba

Intervalo de mantenimiento: Cada vez que se utilice o diariamente—Compruebe que el deflector de hierba no está deteriorado.

⚠ ADVERTENCIA

Si el hueco de descarga se deja destapado, la máquina podría arrojar objetos hacia usted o hacia otras personas y causar lesiones graves. También podría producirse un contacto con la cuchilla.

No utilice nunca la máquina sin haber instalado una placa de mulching, un deflector de descarga o un sistema de recogida de hierba.

Máquinas con carcasa de corte de 86 cm (34")

1. Desenganche el muelle y retire la varilla de los soportes soldados de la carcasa, el muelle y el deflector de descarga (Figura 67).

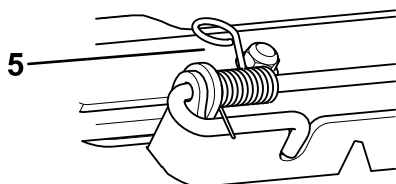
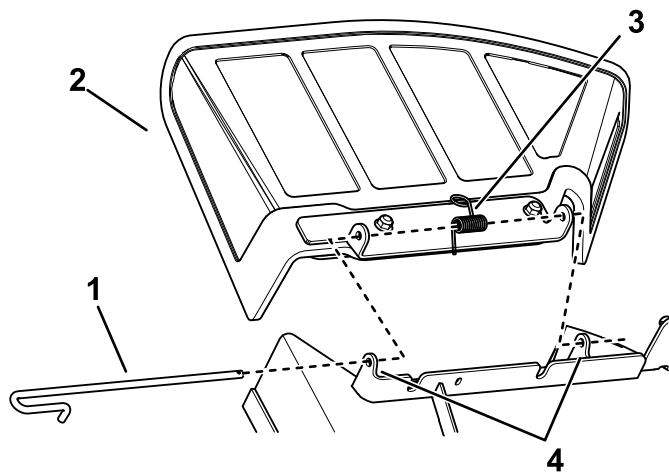


Figura 67

g332166

- | | |
|--------------|-----------------------------------|
| 1. Varilla | 4. Soportes de la carcasa |
| 2. Muelle | 5. Muelle instalado en la varilla |
| 3. Deflector | |

2. Retire el deflector de descarga dañado o desgastado.
3. Coloque el nuevo deflector de descarga con los extremos de los soportes entre los soportes soldados de la carcasa, e instale la varilla y el muelle como se muestra en la Figura 67.

Nota: Coloque el muelle en la varilla como se indica, de manera que el extremo corto del muelle suba desde debajo de la varilla antes de la curva y pase por encima de la varilla después de la curva.

4. Coloque el extremo de la varilla en la muesca del soporte (Figura 67).

Importante: El muelle debe obligar al deflector de hierba a bajarse. Levante el deflector para verificar que baja a la posición de totalmente abatido.

Máquinas con carcasa de corte de 107 cm (42")

1. Retire la tuerca ($\frac{3}{8}$ " de la varilla (debajo del cortacésped) (Figura 68).

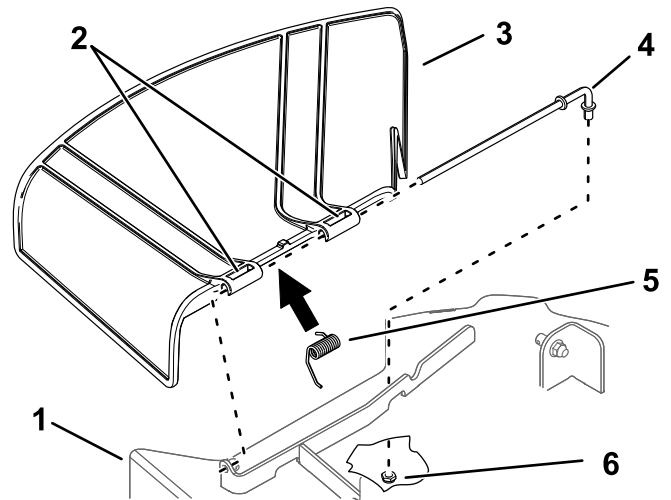


Figura 68

g296957

- | | |
|-----------------------------------|-----------------------------|
| 1. Carcasa de corte | 4. Varilla |
| 2. Pivote del deflector de hierba | 5. Muelle |
| 3. Deflector de hierba | 6. Tuerca ($\frac{3}{8}$ " |

2. Retire la varilla del soporte de la carcasa, del muelle y del deflector de hierba (Figura 68).
3. Retire el deflector de hierba dañado o desgastado.
4. Instale el deflector de hierba nuevo (Figura 68).
5. Deslice el extremo recto de la varilla a través del pivote trasero del deflector de hierba.

6. Coloque el muelle sobre la varilla, con los extremos de los alambres hacia abajo, y entre los soportes del deflector de hierba.
7. Deslice la varilla por el segundo pivote del deflector de hierba (Figura 68).
8. Introduzca la varilla de la parte delantera del deflector de hierba por el soporte de la carcasa.
9. Sujete el extremo trasero de la varilla al cortacésped con una tuerca ($\frac{3}{8}$ "), según se muestra en Figura 68.

Importante: El muelle debe mantener el deflector de hierba en la posición de abatido. Levante el deflector para verificar que baja a la posición de totalmente abatido.

Limpieza

Cómo lavar la parte inferior de la carcasa de corte

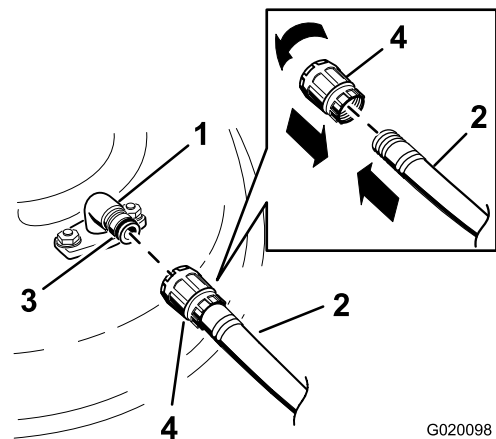
Intervalo de mantenimiento: Después de cada uso

Importante: La máquina puede lavarse con un detergente suave y agua. No lave la máquina a presión. Evite el uso excesivo de agua, especialmente cerca del panel de control, debajo del asiento, y alrededor del motor, de las bombas hidráulicas y de los motores eléctricos.

Lave los bajos de la carcasa de corte después de cada uso para evitar la acumulación de hierba y así mejorar el picado de la hierba y la dispersión de los recortes.

1. Aparque la máquina en una superficie nivelada, desengrane el mando de control de las cuchillas (TDF) y ponga las palancas de control de movimiento hacia fuera a la posición APARCAR.
2. Apague el motor, retire la llave y espere a que se detengan todas las piezas en movimiento antes de abandonar el puesto del operador.
3. Conecte el acoplamiento de la manguera al extremo del conector de lavado del cortacésped, y abra el grifo al máximo (Figura 69).

Nota: Aplique vaselina a la junta tórica del conector de lavado para facilitar la conexión del acoplamiento y proteger la junta.



G020098

g020098

Figura 69

- | | |
|-----------------------|-----------------|
| 1. Conector de lavado | 3. Junta tórica |
| 2. Manguera | 4. Acoplamiento |

4. Baje el cortacésped a la altura de corte más baja.
5. Siéntese en el asiento y arranque el motor.

6. Engrane el mando de control de las cuchillas y deje que funcione el cortacésped de uno a tres minutos.
7. Desengrane el mando de control de las cuchillas, apague el motor, retire la llave, y espere a que se detengan todas las piezas en movimiento.
8. Cierre el grifo de agua y retire el acoplamiento del conector de lavado.

Nota: Si el cortacésped no queda limpio después de un lavado, mójelo bien y espere unos 30 minutos. Luego repita el proceso.

9. Ponga el cortacésped en marcha de nuevo durante de uno a tres minutos para eliminar el exceso de agua.

⚠ ADVERTENCIA

Un conector de lavado roto o no instalado podría exponerle a usted y a otras personas a objetos lanzados o a contacto con las cuchillas. El contacto con una cuchilla o con residuos lanzados puede causar lesiones o la muerte.

- **Sustituya el conector de lavado si está roto o si no está instalado inmediatamente, antes de volver a utilizar la máquina.**
- **No coloque nunca las manos o los pies debajo del cortacésped o a través de aberturas en la máquina.**

Eliminación de residuos

El aceite de motor, las baterías, el fluido hidráulico y el refrigerante del motor son contaminantes medioambientales. Elimínelos de acuerdo con la normativa estatal y local.

Almacenamiento

Seguridad durante el almacenamiento

- Apague el motor, retire la llave y espere a que se detengan todas las piezas en movimiento antes de abandonar el puesto del operador. Deje que se enfríe la máquina antes de hacer trabajos de ajuste, mantenimiento, limpieza o almacenamiento.
- No guarde la máquina o el combustible cerca de llamas, y no drene el combustible dentro de un edificio o dentro de un remolque cerrado.
- No guarde la máquina o un recipiente de combustible en un lugar donde pudiera haber una llama desnuda, chispas o una llama piloto, por ejemplo en un calentador de agua u otro electrodoméstico.

Limpieza y almacenamiento

1. Aparque la máquina en una superficie nivelada, desengrane el mando de control de las cuchillas (TDF) y ponga las palancas de control de movimiento hacia fuera a la posición de APARCAR.
2. Apague el motor, retire la llave y espere a que se detengan todas las piezas en movimiento antes de abandonar el puesto del operador.
3. Retire los recortes de hierba, la suciedad y la mugre de las piezas externas de toda la máquina, especialmente el motor y el sistema hidráulico. Limpie la suciedad y la broza de la parte exterior del alojamiento de las aletas de la culata de cilindros del motor y del soplador.

Importante: La máquina puede lavarse con un detergente suave y agua. No lave la máquina a presión. Evite el uso excesivo de agua, especialmente cerca del panel de control, el motor, las bombas hidráulicas y los motores eléctricos.

4. Compruebe el funcionamiento del freno de estacionamiento; consulte [Posición de Aparcar \(página 12\)](#).
5. Revise el limpiador de aire; consulte [Mantenimiento del limpiador de aire \(página 34\)](#).
6. Engrase la máquina; consulte [Lubricación \(página 34\)](#).
7. Cambie el aceite del cárter; consulte [Mantenimiento del motor \(página 34\)](#).
8. Compruebe la presión de los neumáticos; consulte [Comprobación de la presión de los neumáticos \(página 42\)](#).

9. Cargue la batería; consulte [Cómo cargar la batería \(página 41\)](#).
10. Si se almacena la máquina con la batería instalada, desconecte el cable negativo (negro) de la batería.
11. Rasque cualquier acumulación importante de hierba y suciedad de los bajos del cortacésped, luego lave la máquina con una manguera de jardín.

Nota: Haga funcionar la máquina con el mando de control de las cuchillas (TDF) engranado y el motor en ralentí alto durante 2 a 5 minutos después del lavado.

12. Compruebe la condición de las cuchillas; consulte [Mantenimiento de las cuchillas de corte \(página 45\)](#).
13. Prepare la máquina para un almacenamiento de más de 30 días como se indica a continuación:
 - A. Agregue un estabilizador/acondicionador a combustible fresco en el depósito. Siga las instrucciones de mezcla del fabricante del estabilizador de combustible. No use un estabilizador a base de alcohol (etanol o metanol).
 - B. Haga funcionar el motor para distribuir el combustible con acondicionador por todo el sistema de combustible durante 5 minutos.
 - C. Apague el motor, deje que se enfríe y drene el depósito de combustible usando un sifón tipo bomba o haga funcionar el motor hasta que se apague.
 - D. Deseche el combustible adecuadamente. Recicle el combustible según la normativa local.

Importante: No guarde combustible que contenga estabilizador/acondicionador durante más tiempo que el recomendado por el fabricante del estabilizador de combustible.

14. Retire la(s) bujía(s) y verifique su condición; consulte [Mantenimiento de la bujía \(página 38\)](#). Con la(s) bujía(s) retirada(s) del motor, vierta 30 ml (2 cucharadas soperas) de aceite de motor en el orificio de la bujía. Utilice el motor de arranque para hacer girar el motor y distribuir el aceite dentro del cilindro. Instale la(s) bujía(s). No instale los cables en la(s) bujía(s).
15. Compruebe y apriete todas las fijaciones. Repare o sustituya cualquier pieza dañada.
16. Pinte las superficies que estén arañadas o donde esté visible el metal. Puede adquirir la pintura en su Servicio Técnico Autorizado.

17. Guarde la máquina en un garaje o almacén seco y limpio. Retire la llave del interruptor y guárdela fuera del alcance de niños u otros usuarios no autorizados. Cubra la máquina para protegerla y para conservarla limpia.

Cómo almacenar la batería

1. Cargue totalmente la batería.
2. Deje que la batería descanse durante 24 horas, luego compruebe la tensión de la batería.

Nota: Si el voltaje de la batería es de menos de 12.6 V, repita los pasos 1 y 2.

3. Desconecte los cables de la batería.
4. Compruebe el voltaje periódicamente para asegurarse de que el voltaje es de 12.4 V o más.

Nota: Si el voltaje de la batería es de menos de 12.4 V, repita los pasos 1 y 2.

Consejos de almacenamiento de la batería

Si se almacena la batería fuera de la máquina, haga lo siguiente:

- Guarde la batería en un lugar fresco y seco, en posición vertical.
- No apile baterías directamente una encima de otra, a menos que estén en cajas.
- No apile más de 3 baterías (solamente 2 si la batería es de tipo comercial).
- Pruebe la batería húmeda cada 4 – 6 meses y cárguela, si es necesario.
- Siempre pruebe y cargue la batería antes de instalarla.

Solución de problemas

Problema	Posible causa	Acción correctora
El depósito de combustible muestra señales de hundimiento o la máquina muestra señales de quedarse frecuentemente sin combustible.	1. El elemento de papel del limpiador de aire está atascado.	1. Limpie el elemento de papel.
El motor se sobrecalienta.	1. La carga del motor es excesiva. 2. El nivel de aceite del cárter está bajo. 3. Las aletas de refrigeración y los conductos de aire situados debajo del alojamiento del soplador del motor están obstruidos. 4. El limpiador de aire está sucio. 5. Hay suciedad, agua o combustible viejo en el sistema de combustible.	1. Reduzca la velocidad de avance. 2. Añada aceite al cárter. 3. Elimine la obstrucción de las aletas de refrigeración y de los conductos de aire. 4. Limpie o cambie el elemento del limpiador de aire. 5. Póngase en contacto con el Servicio Técnico Autorizado.
El motor de arranque no se engrana.	1. El mando de control de las cuchillas está engranado. 2. Las palancas de control de movimiento no están en la posición de APARCAR. 3. La batería está descargada. 4. Las conexiones eléctricas están corroídas o sueltas. 5. Un fusible está fundido. 6. Un relé o interruptor está dañado.	1. Desengrane el mando de control de las cuchillas. 2. Mueva las palancas de control de movimiento hacia fuera, a la posición de APARCAR. 3. Cargue la batería. 4. Verifique que hay buen contacto en las conexiones eléctricas. 5. Cambie el fusible. 6. Póngase en contacto con el Servicio Técnico Autorizado.
El motor no arranca, arranca con dificultad, o no sigue funcionando.	1. El depósito de combustible está vacío. 2. El estérter (en su caso) no está activado. 3. El limpiador de aire está sucio. 4. El/los cable(s) de la(s) bujía(s) está(n) suelto(s) o desconectado(s). 5. La bujía está picada, sucia o la distancia entre los electrodos es incorrecta. 6. El filtro de combustible está sucio. 7. Hay suciedad, agua o combustible viejo en el sistema de combustible. 8. Hay combustible incorrecto en el depósito de combustible. 9. El nivel de aceite del cárter está bajo.	1. Llene el depósito de combustible. 2. Mueva la palanca del estérter a la posición de ACTIVADO. 3. Limpie o cambie el elemento del limpiador de aire. 4. Instale el/los cable(s) en la bujía. 5. Instale una bujía nueva, con los electrodos a la distancia correcta. 6. Cambie el filtro de combustible. 7. Póngase en contacto con el Servicio Técnico Autorizado. 8. Drene el depósito y rellene con combustible del tipo correcto. 9. Añada aceite al cárter.

Problema	Posible causa	Acción correctora
El motor pierde potencia.	<ol style="list-style-type: none"> 1. La carga del motor es excesiva. 2. El limpiador de aire está sucio. 3. El nivel de aceite del cárter está bajo. 4. Las aletas de refrigeración y los conductos de aire situados debajo del alojamiento del soplador del motor están obstruidos. 5. La bujía está picada, sucia o la distancia entre los electrodos es incorrecta. 6. El orificio de ventilación del depósito de combustible está obstruido. 7. El filtro de combustible está sucio. 8. Hay suciedad, agua o combustible viejo en el sistema de combustible. 9. Hay combustible incorrecto en el depósito de combustible. 	<ol style="list-style-type: none"> 1. Reduzca la velocidad de avance. 2. Limpie el elemento del limpiador de aire. 3. Añada aceite al cárter. 4. Elimine la obstrucción de las aletas de refrigeración y de los conductos de aire. 5. Instale una bujía nueva, con los electrodos a la distancia correcta. 6. Póngase en contacto con el Servicio Técnico Autorizado. 7. Cambie el filtro de combustible. 8. Póngase en contacto con el Servicio Técnico Autorizado. 9. Póngase en contacto con el Servicio Técnico Autorizado.
No es posible conducir la máquina.	<ol style="list-style-type: none"> 1. Las válvulas de desvío están abiertas. 2. Las correas de tracción están desgastadas, sueltas o rotas. 3. Las correas de tracción se han salido de las poleas. 4. La transmisión se ha averiado. 	<ol style="list-style-type: none"> 1. Cierre las válvulas de remolcado. 2. Póngase en contacto con el Servicio Técnico Autorizado. 3. Póngase en contacto con el Servicio Técnico Autorizado. 4. Póngase en contacto con el Servicio Técnico Autorizado.
La máquina vibra de manera anormal.	<ol style="list-style-type: none"> 1. La(s) cuchilla(s) de corte está(n) doblada(s) o desequilibrada(s). 2. El perno de montaje de la cuchilla está suelto. 3. Los pernos de montaje del motor están sueltos. 4. La polea del motor, la polea tensora o la polea de las cuchillas está suelta. 5. La polea del motor está dañada. 6. El eje de la cuchilla está doblado. 7. El soporte del motor está suelto o roto. 	<ol style="list-style-type: none"> 1. Instale cuchilla(s) nueva(s). 2. Apriete el perno de montaje de la cuchilla. 3. Apriete los pernos de montaje del motor. 4. Apriete la polea correspondiente. 5. Póngase en contacto con el Servicio Técnico Autorizado. 6. Póngase en contacto con el Servicio Técnico Autorizado. 7. Póngase en contacto con el Servicio Técnico Autorizado.
La altura de corte no es homogénea.	<ol style="list-style-type: none"> 1. La(s) cuchilla(s) no está(n) afilada(s). 2. Una de la(s) cuchilla(s) de corte está(n) doblada(s). 3. El cortacésped no está nivelado. 4. Uno de los rodillos protectores del césped (en su caso) no está correctamente ajustado. 5. Los bajos de la carcasa de corte están sucios. 6. La presión de los neumáticos es incorrecta. 7. El eje de una cuchilla está doblado. 	<ol style="list-style-type: none"> 1. Afile la(s) cuchilla(s). 2. Instale cuchilla(s) nueva(s). 3. Nivele el cortacésped lateral y longitudinalmente. 4. Ajuste la altura de la rueda protectora del césped. 5. Limpie los bajos de la carcasa de corte. 6. Ajuste la presión de los neumáticos. 7. Póngase en contacto con el Servicio Técnico Autorizado.

Problema	Posible causa	Acción correctora
Las cuchillas no giran.	<ol style="list-style-type: none"> 1. La correa de transmisión está desgastada, suelta o rota. 2. La correa de transmisión se ha salido de la polea. 3. El mando de la toma de fuerza (TDF) o el embrague de la TDF está defectuoso. 4. La correa del cortacésped está desgastada, suelta o rota. 	<ol style="list-style-type: none"> 1. Instale una nueva correa de transmisión. 2. Instale la correa de transmisión y verifique la posición correcta de los ejes de ajuste y de las guías de la correa. 3. Póngase en contacto con el Servicio Técnico Autorizado. 4. Instale una nueva correa de cortacésped.

Esquemas

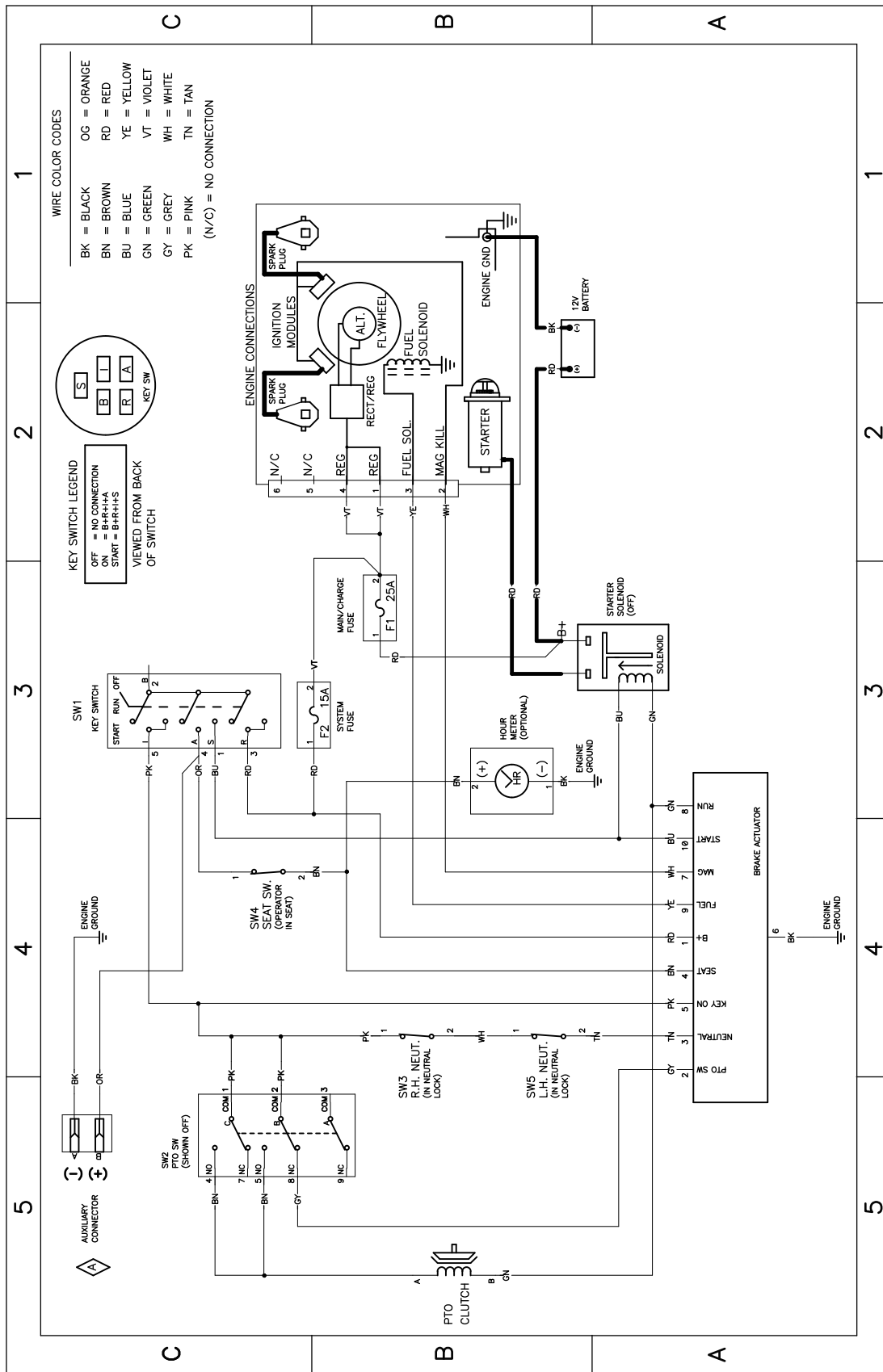


Diagrama de cableado - 139-2356 (Rev. A)

Información sobre las Advertencias de la Proposición 65 de California

¿Qué significa esta advertencia?

Puede ver un producto a la venta que lleva una etiqueta de advertencia como la siguiente:



ADVERTENCIA: Cáncer y daños reproductivos — www.p65Warnings.ca.gov.

¿Qué es la Proposición 65?

La Proposición 65 afecta a cualquier empresa que tenga presencia en California, que venda productos en California, o que fabrique productos que podrían ser introducidos o vendidos en California. Esta ley exige que el Gobernador de California mantenga y publique una lista de sustancias químicas identificadas como causantes de cáncer, defectos de nacimiento y/u otros daños reproductivos. La lista, que se actualiza anualmente, incluye cientos de productos químicos que se encuentran en muchos artículos de uso diario. El propósito de la Proposición 65 es informar al público sobre la exposición a estos productos químicos.

La Proposición 65 no prohíbe la venta de productos que contengan estos productos químicos, sino que requiere la presencia de advertencias en el producto, el envase y la documentación suministrada con el producto. Además, una advertencia de la Proposición 65 no significa que el producto contravenga ninguna norma o requisito de seguridad. De hecho, el gobierno de California ha aclarado que una advertencia bajo la Proposición 65 "no es lo mismo que una decisión legal sobre la "seguridad" o la "inseguridad" de un producto". Muchos de estos productos químicos han sido utilizados durante años en productos de uso diario sin que se hayan producido daños documentados. Para obtener más información, visite <https://oag.ca.gov/prop65/faqs-view-all>.

Una advertencia de la Proposición 65 significa que una empresa (1) ha evaluado la exposición y ha concluido que supera el nivel de "sin riesgo significativo"; o (2) ha optado por proporcionar una advertencia basándose en sus conocimientos respecto a la presencia de un producto químico de los incluidos en la lista, sin intentar evaluar la exposición.

¿Esta ley es aplicable en todas partes?

Las advertencias de la Proposición 65 sólo son obligatorias bajo la legislación de California. Estas advertencias se ven por toda California en una variedad de entornos, incluidos entre otros restaurantes, tiendas de alimentación, hoteles, escuelas y hospitales, así como en una amplia variedad de productos. Además, algunos minoristas de Internet y de la venta por correo incluyen advertencias de la Proposición 65 en sus sitios web o en sus catálogos.

¿Qué diferencia hay entre las advertencias de California y los límites federales?

Las normas de la Proposición 65 son a menudo más exigentes que las normas federales o internacionales. Varias sustancias requieren una advertencia bajo la Proposición 65 a niveles muy inferiores a los límites federales. Por ejemplo, el nivel exigido por la Proposición 65 para las advertencias sobre el plomo es de 0.5 µg/día, que es muy inferior a lo que exigen las normas federales e internacionales.

¿Por qué no llevan la advertencia todos los productos similares?

- Los productos vendidos en California deben llevar etiquetas bajo la Proposición 65, mientras que otros productos similares que se venden en otros lugares no las necesitan.
- Una empresa puede estar obligada a incluir advertencias de Proposición 65 en sus productos como condición de un acuerdo tras un procedimiento legal relacionado con la Proposición 65, pero otras empresas que fabrican productos similares no tienen necesariamente la misma obligación.
- La aplicación de la Proposición 65 no es uniforme.
- Algunas empresas pueden optar por no proporcionar advertencias porque concluyen que no están obligadas a hacerlo bajo la Proposición 65; la falta de advertencias en un producto no significa que el producto esté libre de los productos químicos incluidos en la lista a niveles similares.

¿Por qué incluye Toro esta advertencia?

Toro ha optado por proporcionar a los consumidores la mayor cantidad posible de información para que pueda tomar decisiones informadas sobre los productos que compra y utiliza. Toro proporciona advertencias en ciertos casos basándose en sus conocimientos sobre la presencia de uno o más productos químicos de la lista, sin evaluar el nivel de exposición, puesto que la lista no incluye límites de exposición para todos los productos químicos que contiene. Aunque la exposición que provocan los productos Toro puede ser insignificante, o estar dentro de los límites de la categoría "sin riesgo significativo", Toro ha optado por proporcionar las advertencias de la Proposición 65 por simple precaución. Además, si Toro no proporcionara estas advertencias, podría ser demandada por el Estado de California o por particulares bajo la Proposición 65, y estar sujeta a importantes sanciones.



Count on it.

Manuel de l'utilisateur

**Tondeuse autoportée
TimeCutter® de 86 cm ou
107 cm (34 po ou 42 po)**

N° de modèle 77301—N° de série 400000000 et suivants

N° de modèle 77404—N° de série 400000000 et suivants



Vous commettez une infraction à la section 4442 ou 4443 du Code des ressources publiques de Californie si vous utilisez cette machine dans une zone boisée, broussailleuse ou recouverte d'herbe, à moins d'équiper le moteur d'un pare-étincelles en bon état, tel que défini dans la section 4442, ou à moins que le moteur soit construit, équipé et entretenu correctement pour prévenir les incendies.

Couple brut ou net : le couple brut ou net de ce moteur a été calculé en laboratoire par le constructeur du moteur selon la norme SAE J1940 ou J2723 de la Society of Automotive Engineers (SAE). Étant configuré pour satisfaire aux normes de sécurité, antipollution et d'exploitation, le moteur monté sur cette classe de tondeuse aura un couple effectif nettement inférieur. Reportez-vous au manuel du constructeur du moteur fourni avec la machine.

Le manuel du propriétaire du moteur ci-joint est fourni à titre informatif concernant la réglementation de l'Agence américaine pour la protection de l'environnement (EPA) et la réglementation antipollution de l'état de Californie relative aux systèmes antipollution, à leur entretien et à leur garantie. Vous pouvez vous en procurer un nouvel exemplaire en vous adressant au constructeur du moteur.

▲ ATTENTION

CALIFORNIE

Proposition 65 - Avertissement

Les gaz d'échappement de ce produit contiennent des substances chimiques considérées par l'état de Californie comme susceptibles de provoquer des cancers, des malformations congénitales et autres troubles de la reproduction.

Les bornes de la batterie et accessoires connexes contiennent du plomb et des composés de plomb. L'état de Californie considère ces substances chimiques comme susceptibles de provoquer des cancers et des troubles de la reproduction. Lavez-vous les mains après avoir manipulé la batterie.

L'utilisation de ce produit peut entraîner une exposition à des substances chimiques considérées par l'état de Californie comme capables de provoquer des cancers, des anomalies congénitales ou d'autres troubles de la reproduction.

Introduction

Cette tondeuse autoportée à lames rotatives est destinée au grand public, pour un usage résidentiel. Elle est principalement conçue pour tondre les pelouses entretenues régulièrement. L'utilisation de ce produit à d'autres fins que celle prévue peut être dangereuse pour vous-même et toute personne à proximité.

Lisez attentivement cette notice pour apprendre comment utiliser et entretenir correctement votre produit, et éviter ainsi de l'endommager ou de vous blesser. Vous êtes responsable de l'utilisation sûre et correcte du produit.

Rendez-vous sur www.Toro.com pour tout document de formation à la sécurité et à l'utilisation des produits, pour tout renseignement concernant un produit ou un accessoire, pour obtenir l'adresse des dépositaires ou pour enregistrer votre produit.

Pour obtenir des prestations de service, des pièces Toro d'origine ou des renseignements complémentaires, munissez-vous des numéros de modèle et de série du produit et contactez un dépositaire-réparateur ou le service client Toro agréé. La [Figure 1](#) indique l'emplacement des numéros de modèle et de série du produit. Inscrivez les numéros dans l'espace réservé à cet effet.

Important: Avec votre appareil mobile, vous pouvez scanner le code QR sur l'autocollant du numéro de série (le cas échéant) pour accéder à l'information sur la garantie, les pièces et autres renseignements concernant le produit.

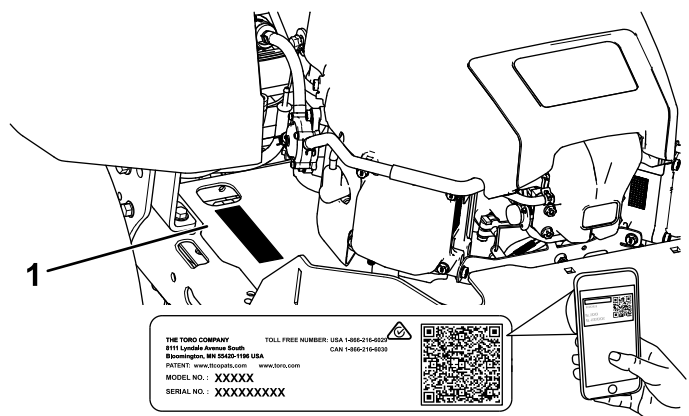


Figure 1

Sous le siège

1. Emplacement des numéros de modèle et de série

Notez les numéros de modèle et de série du produit dans l'espace ci-dessous :

N° de modèle _____
N° de série _____

Ce manuel utilise deux termes pour faire passer des renseignements essentiels. **Important**, pour attirer l'attention sur une information d'ordre mécanique spécifique, et **Remarque**, pour souligner une information d'ordre général méritant une attention particulière.

Le symbole de sécurité (Figure 2) apparaît à la fois dans ce manuel et sur la machine pour identifier d'importants messages de sécurité dont il est nécessaire de tenir compte pour éviter les accidents. Ce symbole apparaît avec la mention **Danger**, **Attention** ou **Prudence**.

- **Danger** signale un danger immédiat qui, s'il n'est pas évité, **entraînera obligatoirement** des blessures graves ou mortelles.
- **Attention** signale un danger potentiel qui, s'il n'est pas évité, **risque d'entraîner** des blessures graves ou mortelles.
- **Prudence** signale un danger potentiel qui, s'il n'est pas évité, **peut entraîner** des blessures légères ou modérées.



Figure 2

sa-black

1. Symbole de sécurité

Table des matières

Sécurité	4
Consignes de sécurité générales.....	4
Indicateur de pente	5
Autocollants de sécurité et d'instruction	6
Vue d'ensemble du produit	10
Commandes	11
Caractéristiques techniques	12
Outils et accessoires.....	12
Avant l'utilisation	12
Consignes de sécurité avant l'utilisation.....	12
Ajout de carburant	13
Procédures d'entretien quotidien	14
Rodage d'une machine neuve	14
Utilisation du système de sécurité	14
Positionnement du siège	15
Réglage des leviers de commande de déplacement	15
Pendant l'utilisation	16

Consignes de sécurité pendant l'utilisation	16
Fonctionnement de la commande des lames (PDF)	19
Utilisation de l'accélérateur	20
Utilisation du volet de départ	20
Démarrage du moteur.....	21
Arrêt du moteur.....	21
Utilisation des leviers de commande de déplacement	22
Conduite de la machine	22
Utilisation du système de commande Smart Speed™.....	24
Utilisation de l'éjection latérale	25
Réglage de la hauteur de coupe	25
Réglage des galets anti-scalp	26
Conseils d'utilisation	26
Après l'utilisation	27
Consignes de sécurité après l'utilisation.....	27
Nettoyage de la machine	27
Pousser la machine à la main	28
Transport de la machine	29
Entretien	31
Consignes de sécurité pendant l'entretien	31
Programme d'entretien recommandé	31
Procédures avant l'entretien	32
Levage de la machine	32
Lubrification	33
Graissage des roulements.....	33
Entretien du moteur	33
Consignes de sécurité pour le moteur	33
Entretien du filtre à air	33
Contrôle du niveau et vidange de l'huile moteur.....	35
Entretien de la bougie	37
Nettoyage du circuit de refroidissement	38
Entretien du système d'alimentation	39
Remplacement du filtre à carburant en ligne	39
Entretien du système électrique	40
Consignes de sécurité pour le système électrique	40
Entretien de la batterie.....	40
Entretien des fusibles	41
Entretien du système d'entraînement	42
Contrôle de la pression des pneus	42
Desserrage du frein électrique.....	42
Réglage du parallélisme des roues	42
Entretien des courroies	43
Contrôle des courroies.....	43
Remplacement de la courroie du tablier de coupe.....	43
Entretien de la tondeuse.....	44
Consignes de sécurité pour les lames	44
Entretien des lames	44
Mise à niveau du tablier de coupe	47
Retrait du tablier de coupe	49

Sécurité

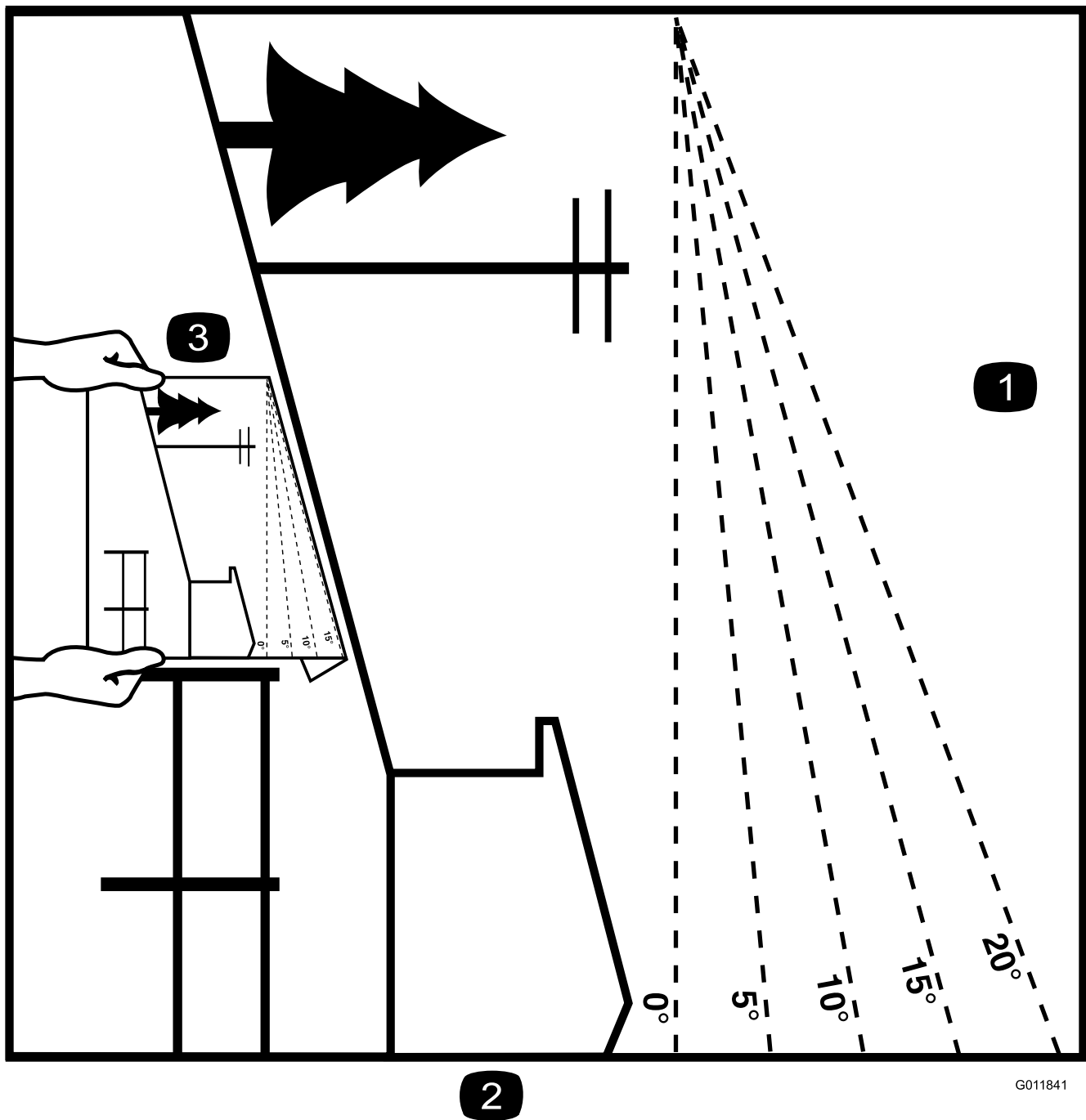
Consignes de sécurité générales

Ce produit peut sectionner les mains ou les pieds et projeter des objets. Respectez toujours toutes les consignes de sécurité pour éviter des blessures graves ou mortelles.

- Vous devez lire et comprendre le contenu de ce *Manuel de l'utilisateur* avant de démarrer le moteur.
- N'autorisez personne à s'approcher, notamment les enfants.
- Ne confiez pas l'utilisation ou l'entretien de la machine à des enfants ou à des personnes non qualifiées. Seules les personnes responsables, formées à l'utilisation de la machine, ayant lu et compris les instructions et physiquement aptes sont autorisées à utiliser la machine ou à en faire l'entretien.
- N'utilisez pas la machine près de fortes dénivellations, fossés, berges, étendues d'eau ou autre danger, ni sur des pentes de plus de 15°.
- N'approchez pas les mains ou les pieds des composants mobiles de la machine.
- N'utilisez pas la machine si tous les capots, contacteurs de sécurité et autres dispositifs de protection ne sont pas en place et en bon état de marche.
- Avant de quitter la position d'utilisation, coupez le moteur, enlevez la clé et attendez l'arrêt complet de toutes les pièces mobiles. Laissez refroidir la machine avant de la régler, la réparer, la nettoyer, la remettre ou de faire le plein de carburant.

Montage du tablier de coupe.....	50
Remplacement du déflecteur d'herbe	50
Nettoyage	52
Lavage du dessous du tablier de coupe.....	52
Élimination des déchets.....	52
Remisage	53
Consignes de sécurité concernant le remisage.....	53
Nettoyage et remisage.....	53
Remisage de la batterie	54
Dépistage des défauts	55
Schémas	58

Indicateur de pente



2

G011841

g011841

Figure 3

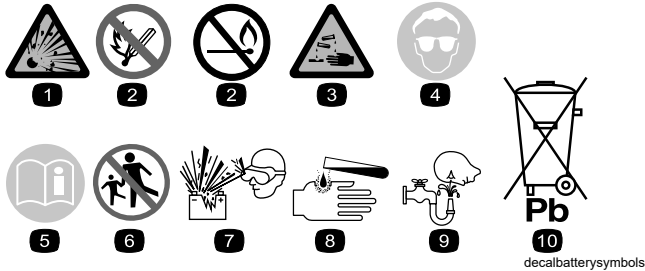
Vous pouvez faire une copie de cette page pour votre usage personnel.

1. Vous pouvez utiliser la machine sur une pente maximale de **15 degrés**. Avant d'utiliser la machine sur une pente, utilisez le graphique de mesure pour déterminer le degré de la pente. **N'utilisez pas la machine sur des pentes de plus de 15 degrés.** Pliez le long de la ligne correspondant à la pente recommandée.
2. Alignez ce bord sur une surface verticale (arbre, bâtiment, piquet de clôture, poteau, etc.).
3. Exemple de comparaison d'une pente avec le bord replié

Autocollants de sécurité et d'instruction



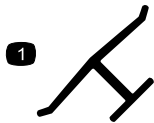
Des autocollants de sécurité et des instructions bien visibles par l'opérateur sont placés près de tous les endroits potentiellement dangereux. Remplacez tout autocollant endommagé ou manquant.



Symboles utilisés sur la batterie

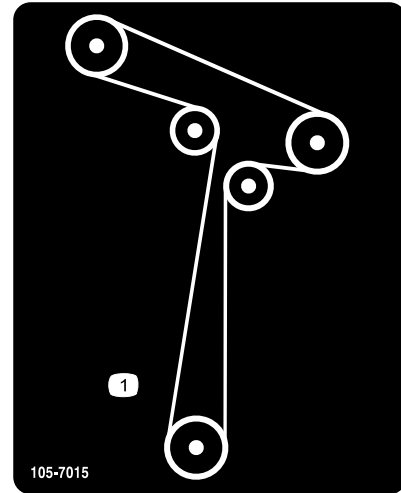
Certains ou tous les symboles suivants figurent sur la batterie.

- | | |
|--|--|
| 1. Risque d'explosion | 6. Tenez tout le monde à bonne distance de la batterie. |
| 2. Restez à distance des flammes nues ou des étincelles, et ne fumez pas | 7. Portez une protection oculaire; les gaz explosifs peuvent causer la cécité et d'autres blessures. |
| 3. Liquide caustique/risque de brûlure chimique | 8. L'acide de la batterie peut causer la cécité ou des brûlures graves. |
| 4. Portez une protection oculaire. | 9. Rincez immédiatement les yeux avec de l'eau et consultez un médecin rapidement. |
| 5. Lisez le <i>Manuel de l'utilisateur</i> . | 10. Contient du plomb – ne mettez pas au rebut |



Marque du fabricant

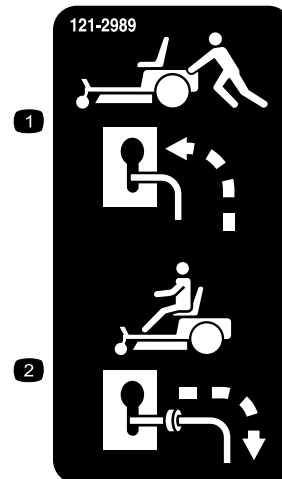
- Cette marque identifie la lame comme provenant du constructeur d'origine de la machine.



105-7015

decal105-7015

- Trajet de la courroie



121-2989

decal121-2989b

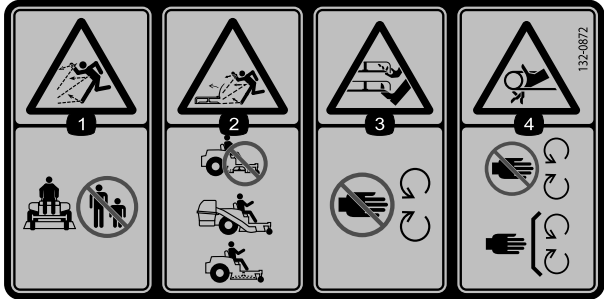
- Position des leviers de dérivation pour pousser la machine
- Position des leviers de dérivation pour utiliser la machine



decal130-0731

130-0731

1. Attention – risque de projection d'objets ; gardez le déflecteur en place.
2. Risque de coupure des mains ou des pieds par la lame de la tondeuse – ne vous approchez pas des pièces mobiles.

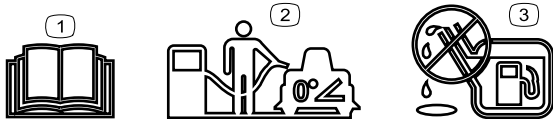


decal132-0872

132-0872

1. Risque de projections d'objets – n'autorisez personne à s'approcher de la machine.
2. Risque de projections d'objets par le déflecteur relevé – n'utilisez pas la machine en laissant le tablier de coupe ouvert ; utilisez un système de ramassage ou un déflecteur.
3. Risque de sectionnement des mains ou des pieds – ne vous approchez pas des pièces mobiles.
4. Risque de coincement – ne vous approchez pas des pièces mobiles ; gardez toutes les protections et tous les capots en place.

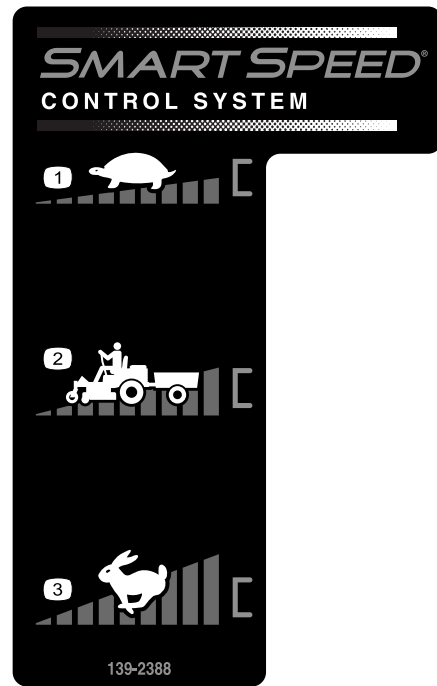
L'autocollant 138-6074 est moulé dans le réservoir de carburant.



decal138-2456

138-6074

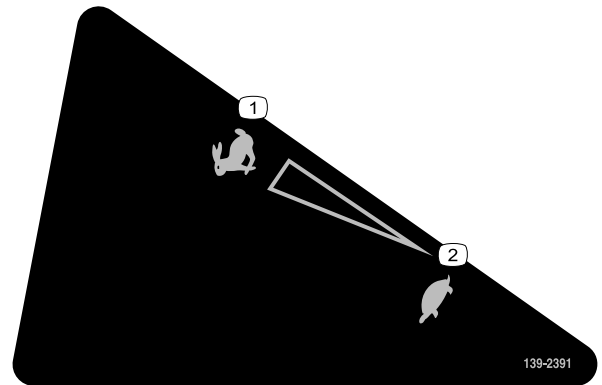
1. Lisez le *Manuel de l'utilisateur*.
2. Pour faire le plein de carburant, garez la machine sur une surface plane et horizontale.
3. Ne remplissez pas excessivement le réservoir de carburant.



decal139-2388

139-2388

1. Basse vitesse
2. Transport
3. Haute vitesse



decal139-2391

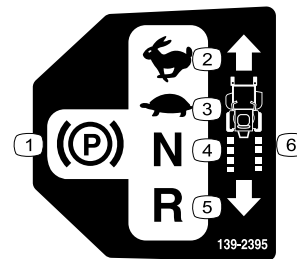
139-2391

1. Haute vitesse
2. Basse vitesse



139-2392

decal139-2392



139-2395

decal139-2395

- | | |
|---------------------------|-----------------------------|
| 1. Frein de stationnement | 4. Point mort |
| 2. Haute vitesse | 5. Marche arrière |
| 3. Basse vitesse | 6. Commandes de déplacement |

**▲ WARNING: Cancer and Reproductive Harm - www.P65Warnings.ca.gov.
For more information, please visit www.ticoCAProp65.com**

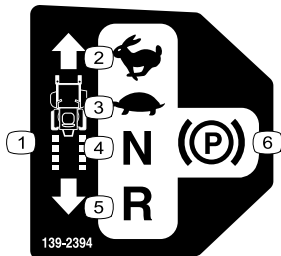
CALIFORNIA SPARK ARRESTER WARNING

Operation of this equipment may create sparks that can start fires around dry vegetation. A spark arrester may be required. The operator should contact local fire agencies for laws or regulations relating to fire prevention requirements.

142-5864

142-5864

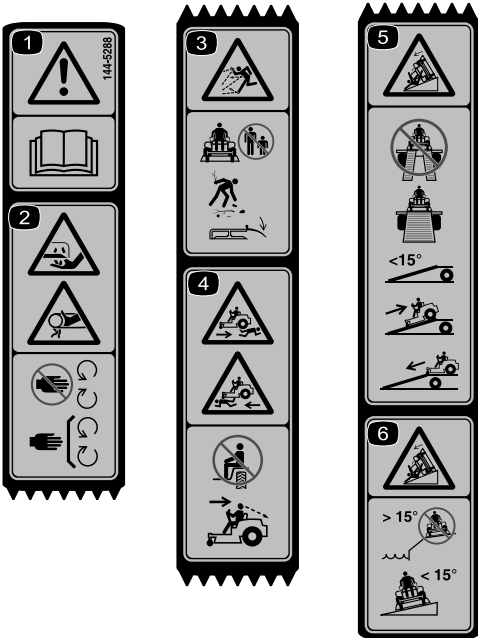
decal142-5864



139-2394

decal139-2394

- | | |
|-----------------------------|---------------------------|
| 1. Commandes de déplacement | 4. Point mort |
| 2. Haute vitesse | 5. Marche arrière |
| 3. Basse vitesse | 6. Frein de stationnement |



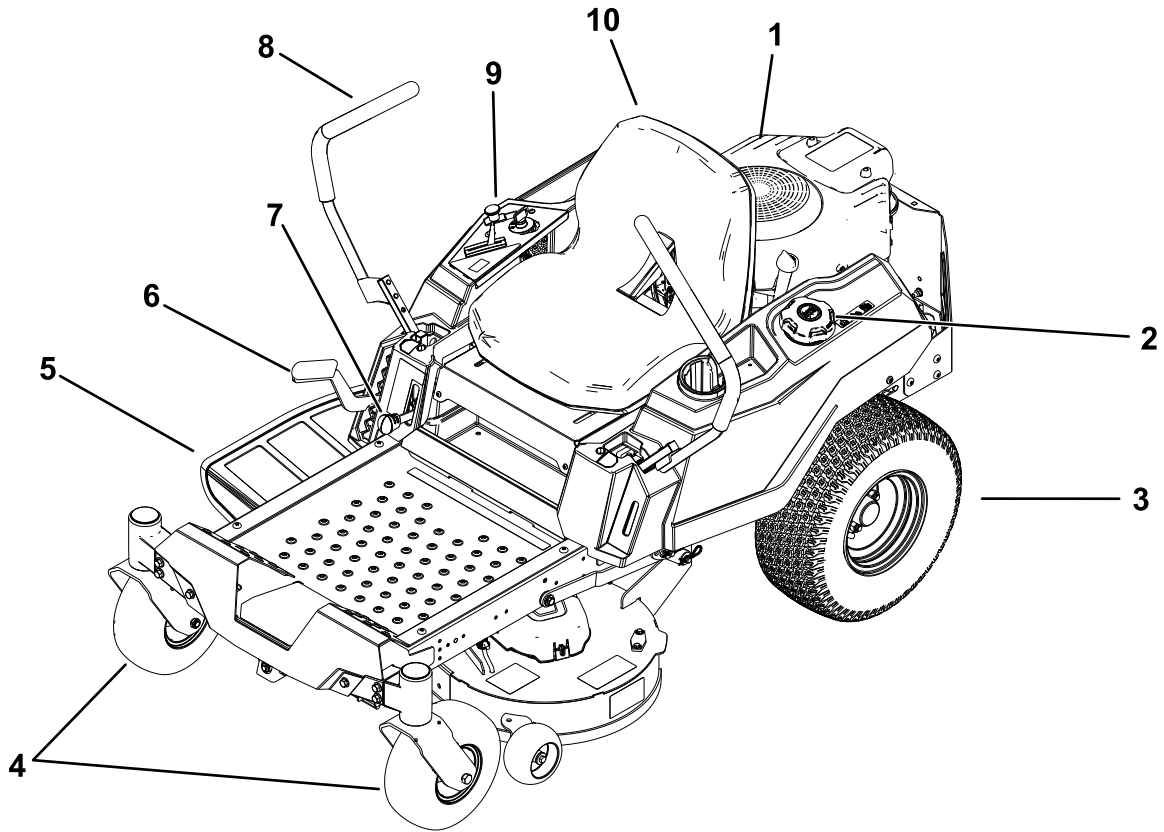
144-5288

decal144-5288

Remarque: Cette machine est conforme au test de stabilité standard de l'industrie pour les essais de stabilité statique latérale et longitudinale par rapport à la pente maximale recommandée, indiquée sur l'autocollant. Consultez les instructions relatives à l'utilisation de la machine sur les pentes dans le *Manuel de l'utilisateur*, et vérifiez si les conditions d'utilisation et l'état du site actuels se prêtent à l'utilisation de la machine. Les variations de terrain peuvent modifier le fonctionnement de la machine sur les pentes.

- | | |
|--|--|
| <p>1. Attention – lisez le <i>Manuel de l'utilisateur</i>.</p> <p>2. Risque de coupure/mutilation des mains ou des doigts – n'approchez pas les mains des pièces mobiles ; gardez toutes les protections en place.</p> <p>3. Risque de projection d'objets – n'autorisez personne à s'approcher de la machine ; débarrassez la zone de travail des débris avant de tondre ; gardez le déflecteur en place.</p> | <p>4. Risque d'écrasement – ne transportez pas de passagers ; regardez derrière vous quand vous faites marche arrière.</p> <p>5. Risque de renversement – n'utilisez pas de rampes doubles pour charger la machine sur une remorque ; utilisez toujours une rampe d'une seule pièce suffisamment large pour la machine ; n'utilisez pas de rampe dont la pente est supérieure à 15° ; montez la rampe en marche arrière et descendez-la en marche avant.</p> <p>6. Risque de renversement – n'utilisez pas la machine près de dénivellations ou de pentes de plus de 15° ; travaillez transversalement et uniquement sur des pentes de moins de 15°.</p> |
|--|--|

Vue d'ensemble du produit



g447479

Figure 4

- | | | | |
|--------------------------------------|--|---------------------------------------|----------------------------|
| 1. Moteur | 4. Roues pivotantes avant | 7. Levier Smart Speed™ | 10. Siège de l'utilisateur |
| 2. Bouchon du réservoir de carburant | 5. Déflecteur | 8. Leviers de commande de déplacement | |
| 3. Roue motrice arrière | 6. Levier de réglage de hauteur de coupe | 9. Panneau de commande | |

Commandes

Familiarisez-vous avec toutes les commandes avant de mettre le moteur en marche et d'utiliser la machine.

Panneau de commande

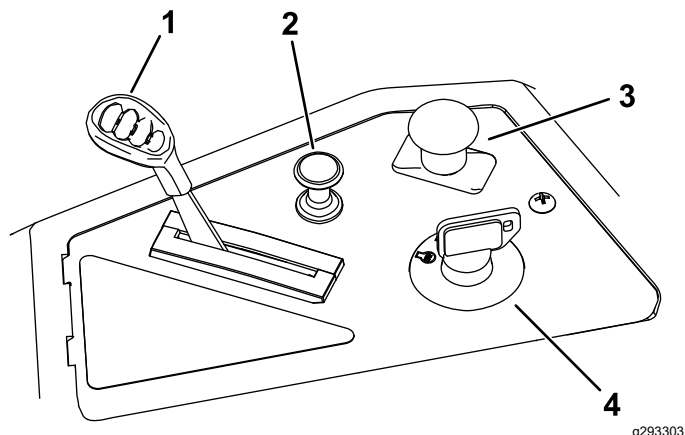


Figure 5

- | | |
|--------------------------------|--|
| 1. Commande d'accélérateur | 3. Commande des lames (prise de force) |
| 2. Commande du volet de départ | 4. Commutateur d'allumage |

Commutateur d'allumage

Le commutateur d'allumage sert à démarrer et arrêter le moteur, et comprend 3 positions : ARRÊT, CONTACT et DÉMARRAGE (Figure 5).

Commande d'accélérateur

L'accélérateur commande le régime moteur et peut se régler à l'infini entre les positions BAS RÉGIME et HAUT RÉGIME (Figure 5).

Commande du volet de départ

Utilisez la commande du volet de départ pour démarrer quand le moteur est froid (Figure 5).

Commande des lames (prise de force)

La commande des lames, représentée par le symbole de la prise de force (PDF), engage et désengage l'entraînement des lames (Figure 5).

Leviers de commande de déplacement

Utilisez les leviers de commande de déplacement pour conduire la machine en marche avant, en marche arrière, pour tourner à droite et à gauche (Figure 4).

Position de stationnement

Quand vous quittez la machine, écartez les leviers de commande vers l'extérieur, du centre à la position STATIONNEMENT pour engager le frein électrique (Figure 19). Placez toujours les leviers de commande de déplacement à la position STATIONNEMENT avant d'arrêter la machine ou de la laisser sans surveillance.

Levier du système de commande Smart Speed™

Le levier du système de commande Smart Speed™ est situé sous la position d'utilisation et vous permet de choisir entre 3 plages de vitesses : finition, remorquage et tonte (Figure 22).

Regard de carburant

Vous pouvez utiliser le regard, situé sur le côté gauche de la machine pour vérifier le niveau de carburant dans le réservoir (Figure 6).

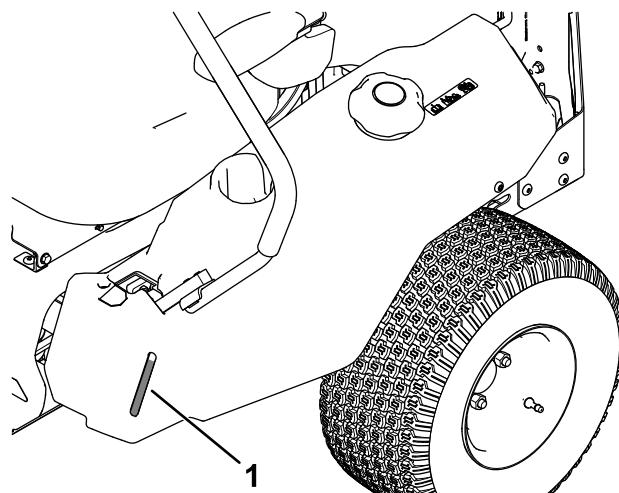


Figure 6

1. Regard de carburant

Levier de hauteur de coupe

Utilisez le levier de sélection de hauteur de coupe pour abaisser et lever le tablier de coupe sans quitter le siège. Lorsque vous élevez le levier (vers vous), le tablier de coupe s'élève au-dessus du sol, et lorsque vous abaissez le levier (dans la direction opposée), le tablier de coupe se rapproche du sol. Arrêtez toujours la machine avant de modifier la hauteur de coupe (Figure 23).

Caractéristiques techniques

Les spécifications et la conception peuvent faire l'objet de modifications sans préavis.

	Modèle 77301	Modèle 77404
Largeur de coupe	86 cm (34 po)	107 cm (42 po)
Largeur avec déflecteur abaissé	114 cm (45 po)	135 cm (53 po)
Largeur avec déflecteur relevé	104 cm (41 po)	114 cm (45 po)
Longueur	191 cm (75 po)	191 cm (75 po)
Hauteur	99 cm (39 po)	104 cm (41 po)
Masse	225 kg (496 lb)	230 kg (508 lb)

Outils et accessoires

Une sélection d'outils et accessoires agréés par Toro est disponible pour augmenter et améliorer les capacités de la machine. Pour obtenir la liste de tous les accessoires et outils agréés, contactez votre dépositaire-réparateur ou votre distributeur Toro agréé, ou rendez-vous sur www.Toro.com.

Pour garantir un rendement optimal et conserver la certification de sécurité de la machine, utilisez uniquement des pièces de rechange et accessoires Toro d'origine. Les pièces de rechange et accessoires d'autres constructeurs peuvent être dangereux et leur utilisation risque d'annuler la garantie de la machine.

Utilisation

Remarque: Les côtés gauche et droit de la machine sont déterminés d'après la position d'utilisation normale.

Avant l'utilisation

Consignes de sécurité avant l'utilisation

Consignes de sécurité générales

- Ne confiez pas l'utilisation ou l'entretien de la machine à des enfants ou à des personnes non qualifiées. La réglementation locale peut imposer un âge minimum pour les utilisateurs. Le propriétaire de la machine doit assurer la formation de tous les utilisateurs et mécaniciens.
- Inspectez la zone de travail et débarrassez-la de tout objet pouvant gêner le fonctionnement de la machine ou être projeté pendant son utilisation.
- Familiarisez-vous avec le maniement correct du matériel, les commandes et les symboles de sécurité.
- Vérifiez toujours que les commandes de présence de l'utilisateur, les contacteurs de sécurité et les capots de protection sont en place et en bon état de marche. N'utilisez pas la machine en cas de mauvais fonctionnement.
- Avant de quitter la position d'utilisation, coupez le moteur, enlevez la clé et attendez l'arrêt complet de toutes les pièces mobiles. Laissez refroidir la machine avant de la régler, la réparer, la nettoyer, la remiser ou de faire le plein de carburant.
- Avant de tondre, vérifiez que les unités de coupe sont en bon état de marche.
- Examinez la zone de travail pour déterminer quels accessoires et équipements sont nécessaires pour utiliser la machine correctement et sans risque.
- Portez des vêtements appropriés, y compris une protection oculaire, un pantalon, des chaussures solides à semelle antidérapante et des protecteurs d'oreilles. Si vos cheveux sont longs, attachez-les et ne portez pas de vêtements amples ni de bijoux pendants.
- Ne transportez jamais de passagers sur la machine.
- Tenez tout le monde et tous les animaux à l'écart de la machine en marche. Arrêtez la machine et

le(s) accessoire(s) si quelqu'un entre dans la zone de travail.

- N'utilisez pas la machine si tous les capots et autres dispositifs de protection, tels que les déflecteurs et le bac de ramassage au complet, ne sont pas en place et en bon état de marche. Remplacez les pièces usées ou détériorées au besoin.

Consignes de sécurité pour le carburant

- Le carburant est extrêmement inflammable et hautement explosif. Un incendie ou une explosion causé(e) par du carburant peut vous brûler, ainsi que toute personne à proximité, et causer des dommages matériels.
 - Pour éviter que l'électricité statique n'enflamme le carburant, descendez la machine du camion ou de la remorque et faites-le plein quand elle est au sol, à l'écart de tout autre véhicule. Si cela est impossible, placez un récipient de carburant portatif sur le sol, à l'écart de tout véhicule, et remplissez-le; faites ensuite le plein de la machine avec le récipient portatif plutôt que directement à la pompe.
 - Faites le plein du réservoir de carburant à l'extérieur sur une surface plane et horizontale, dans un endroit bien dégagé et lorsque le moteur est froid. Essuyez tout carburant répandu.
 - Ne fumez jamais en manipulant du carburant et tenez-vous à l'écart des flammes nues ou des sources d'étincelles.
 - N'enlevez pas le bouchon du réservoir de carburant et n'ajoutez pas de carburant quand le moteur tourne ou est encore chaud.
 - Si vous renversez du carburant, n'essayez pas de démarrer le moteur à cet endroit. Évitez de créer des sources d'inflammation jusqu'à dissipation complète des vapeurs de carburant.
 - Conservez le carburant dans un récipient homologué et hors de la portée des enfants.
- Le carburant est toxique, voire mortel en cas d'ingestion. L'exposition prolongée aux vapeurs de carburant peut causer des blessures et des maladies graves.
 - Évitez de respirer les vapeurs de carburant de façon prolongée.
 - N'approchez pas le visage ou les mains du pistolet ni de l'ouverture du réservoir de carburant.
 - Tenez le carburant à l'écart des yeux et de la peau.

- Ne remisez pas la machine ni les bidons de carburant à proximité d'une flamme nue, d'une source d'étincelles ou d'une veilleuse, telle celle d'un chauffe-eau ou d'autres appareils.
- N'utilisez pas la machine si elle n'est pas équipée du système d'échappement complet et en bon état de marche.
- Maintenez le pistolet en contact avec le bord du réservoir ou du bidon jusqu'à la fin du remplissage. N'utilisez pas de dispositif de verrouillage du pistolet en position ouverte.
- Si du carburant s'est répandu sur vos vêtements, changez-vous immédiatement.
- Ne remplissez pas excessivement le réservoir de carburant. Remettez le bouchon du réservoir de carburant en place et serrez-le solidement.
- Pour éviter les risques d'incendie, enlevez les débris d'herbe et autres agglomérés sur l'unité de coupe, les entraînements, le bac à herbe et le compartiment moteur. Nettoyez les coulées éventuelles d'huile ou de carburant.

Ajout de carburant

Carburant recommandé

Type	Essence sans plomb
Indice d'octane minimum	87 (États-Unis) or 91 (octane recherche; hors États-Unis)
Éthanol	Pas plus de 10 % par volume
Méthanol	Néant
MTBE (éther méthyltertiobutylque)	Moins de 15 % par volume
Huile	Ne pas ajouter au carburant

Utilisez uniquement du carburant propre et frais (stocké depuis moins d'un mois) provenant d'une source fiable.

Utilisation d'un stabilisateur/conditionneur

Ajoutez un stabilisateur/conditionneur dans le réservoir de carburant de la machine pour que le carburant reste frais plus longtemps, à condition de respecter les indications du fabricant du stabilisateur.

Important: N'utilisez pas d'additifs contenant du méthanol ou de l'éthanol.

Ajoutez au carburant frais la quantité de stabilisateur/conditionneur indiquée par le fabricant du stabilisateur.

Remplissage du réservoir de carburant

1. Garez la machine sur une surface plane et horizontale.
2. Poussez les leviers de commande de déplacement vers l'extérieur, à la position STATIONNEMENT.
3. Coupez le moteur et enlevez la clé.
4. Nettoyez la surface autour du bouchon du réservoir de carburant.
5. Remplissez le réservoir de carburant jusqu'au bas du goulot de remplissage (Figure 7). Ne remplissez pas complètement le réservoir de carburant.

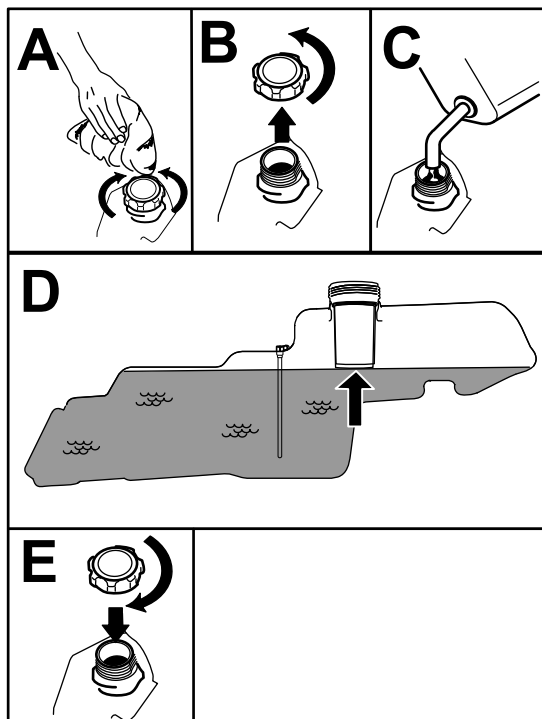


Figure 7

g293796

Procédures d'entretien quotidien

Avant de démarrer la machine chaque jour, effectuez les procédures décrites à la section [Entretien \(page 31\)](#).

Rodage d'une machine neuve

Les moteurs neufs demandent un certain temps pour développer toute leur puissance. Les tabliers de coupe et les systèmes d'entraînement neufs

présentent plus de friction, ce qui augmente la charge sur le moteur. Prévoyez 40 à 50 heures de rodage pour les machines neuves pour leur permettre de développer toute leur puissance et procurer des performances optimales.

Utilisation du système de sécurité

⚠ ATTENTION

Si les contacteurs de sécurité sont déconnectés ou endommagés, la machine peut se mettre en marche inopinément et causer des blessures.

- Ne modifiez pas abusivement les contacteurs de sécurité.
- Vérifiez chaque jour le fonctionnement des contacteurs de sécurité et remplacez ceux qui sont endommagés avant d'utiliser la machine.

Principe du système de sécurité

Le système de sécurité est conçu pour empêcher le démarrage du moteur, sauf si :

- La commande des lames (PDF) est désengagée.
- Les leviers de commande de déplacement sont à la position de STATIONNEMENT.

Le système de sécurité est également prévu pour arrêter le moteur lorsque les leviers de commande quittent la position de STATIONNEMENT et que vous vous soulevez du siège.

Contrôle du système de sécurité

Contrôlez le système de sécurité avant chaque utilisation de la machine. Si le système de sécurité ne fonctionne pas comme spécifié ci-dessous, faites-le immédiatement réviser par un dépositaire-réparateur agréé.

1. Asseyez-vous sur le siège, amenez les leviers de commande de déplacement en position de STATIONNEMENT et la commande des lames en position ENGAGÉE. Essayez de démarrer le moteur ; le démarreur ne doit pas fonctionner.
2. Asseyez-vous sur le siège et placez la commande des lames en position DÉSENGAGÉE. Amenez l'un des leviers de commande de déplacement au centre, en position déverrouillée. Essayez de démarrer le moteur ; le moteur ne doit pas se lancer. Répétez la procédure avec l'autre levier de déplacement.

3. Asseyez-vous sur le siège, placez la commande des lames en position DÉSENGAGÉE et verrouillez les leviers de commande de déplacement à la position de STATIONNEMENT. Démarrez le moteur. Lorsque le moteur tourne, placez la commande des lames en position engagée et soulevez-vous légèrement du siège ; le moteur doit s'arrêter.
4. Asseyez-vous sur le siège, placez la commande des lames en position DÉSENGAGÉE et verrouillez les leviers de commande de déplacement à la position de STATIONNEMENT. Démarrez le moteur. Lorsque le moteur tourne, amenez les leviers de commande de déplacement au centre en position déverrouillée et soulevez-vous légèrement du siège ; le moteur doit s'arrêter.

Positionnement du siège

Vous pouvez avancer ou reculer le siège. Amenez le siège à la position la plus confortable pour vous et offrant le meilleur contrôle pour la conduite (Figure 8).

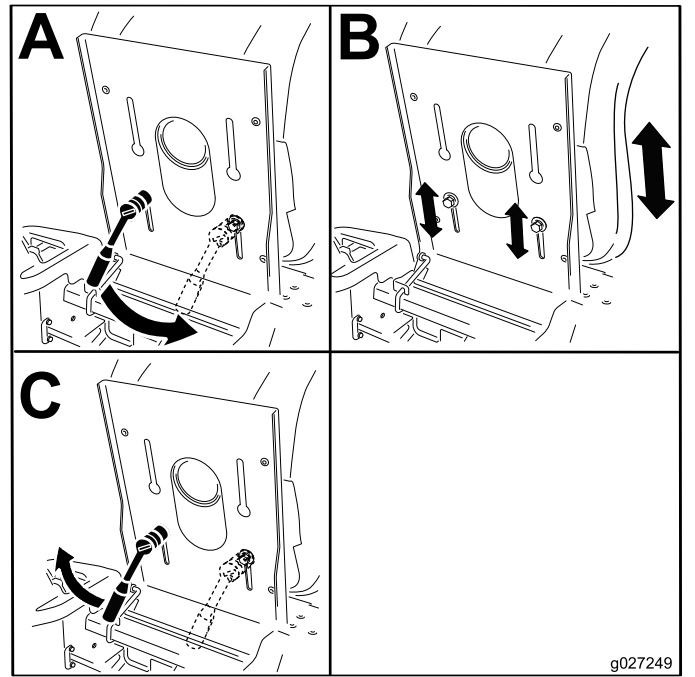


Figure 8

Réglage des leviers de commande de déplacement

Réglage de la hauteur des leviers

Vous pouvez ajuster la hauteur des leviers de commande de déplacement en fonction de votre taille (Figure 9).

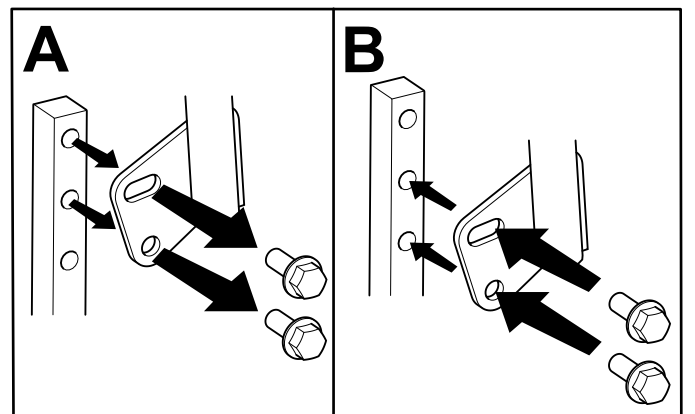


Figure 9

Réglage de l'angle des leviers

Vous pouvez ajuster la course avant et arrière des leviers de commande de déplacement pour un plus grand confort d'utilisation.

1. Retirez le boulon supérieur qui fixe le levier de commande à l'arbre du bras de commande.
2. Desserrez le boulon inférieur jusqu'à ce qu'il soit possible de faire pivoter le levier de commande en avant ou en arrière.

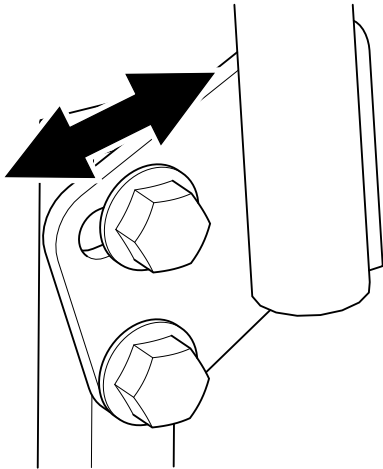


Figure 10

g333846

3. Serrez les deux boulons pour fixer le levier de commande à sa nouvelle position.
4. Répétez la procédure pour l'autre levier de commande.

Pendant l'utilisation

Consignes de sécurité pendant l'utilisation

Consignes de sécurité générales

- Le propriétaire/l'utilisateur est responsable des accidents pouvant entraîner des dommages corporels et matériels et peut les prévenir.
- Accordez toute votre attention à l'utilisation de la machine. Ne vous livrez à aucune activité risquant de vous distraire, au risque de causer des dommages corporels ou matériels.
- N'utilisez pas la machine si vous êtes malade ou fatigué(e), ni sous l'emprise de l'alcool, de drogues ou de médicaments.
- Tout contact avec la lame peut causer de graves blessures. Avant de quitter la position d'utilisation, coupez le moteur, enlevez la clé et attendez l'arrêt complet de toutes les pièces mobiles. Lorsque

vous tournez la clé à la position ARRÊT, le moteur doit être coupé et la lame doit s'arrêter de tourner. Si ce n'est pas le cas, cessez immédiatement d'utiliser la machine et contactez un dépositaire réparateur agréé.

- N'utilisez la machine que si la visibilité est suffisante et dans de bonnes conditions météorologiques. N'utilisez pas la machine si la foudre menace.
- N'approchez pas les pieds et les mains des unités de coupe. Ne vous tenez pas devant l'ouverture d'éjection.
- Ne tondez pas avec le volet d'éjection relevé, déposé ou modifié à moins qu'un système de ramassage ou de déchiquetage soit en place et en bon état de marche.
- Ne tondez jamais en marche arrière, sauf en cas d'absolue nécessité. Vérifiez toujours si la voie est libre juste derrière la machine et sur sa trajectoire avant de faire marche arrière.
- Faites preuve de la plus grande prudence à l'approche de tournants sans visibilité, de buissons, d'arbres ou d'autres objets susceptibles de masquer la vue.
- Arrêtez toujours les lames quand vous ne tondez pas.
- Si la machine heurte un obstacle ou commence à vibrer, coupez immédiatement le moteur, enlevez la clé (selon l'équipement) et attendez l'arrêt complet de toutes les pièces mobiles avant de vérifier si la machine n'est pas endommagée. Effectuez toutes les réparations nécessaires avant de réutiliser la machine.
- Ralentissez et faites preuve de prudence quand vous changez de direction, ainsi que pour traverser des routes et des trottoirs avec la machine. Cédez toujours la priorité.
- Avant de quitter la position d'utilisation :
 - Garez la machine sur une surface plane et horizontale.
 - Désengagez la prise de force et abaissez les accessoires.
 - Serrez le frein de stationnement.
 - Coupez le moteur et enlevez la clé.
 - Attendez l'arrêt complet de toutes les pièces mobiles.
- Ne faites tourner le moteur que dans des lieux bien aérés. Les gaz d'échappement contiennent du monoxyde de carbone dont l'inhalation est mortelle.
- Ne laissez jamais la machine en marche sans surveillance.

- Utilisez uniquement le point d'attelage pour atteler l'équipement remorqué à la machine.
- N'utilisez pas la machine si tous les capots et autres dispositifs de protection, tels que les déflecteurs et le bac de ramassage au complet, ne sont pas en place et en bon état de marche. Remplacez les pièces usées ou détériorées au besoin.
- Utilisez uniquement les accessoires et équipements agréés par Toro.
- Cette machine produit au niveau de l'oreille de l'utilisateur un niveau sonore de plus de 85 dBA qui peut entraîner des déficiences auditives en cas d'exposition prolongée.

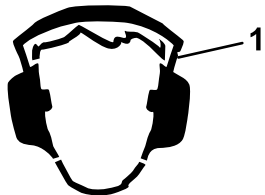


Figure 11

g229846

1. Portez des protecteurs d'oreilles.

- Pour éviter les risques d'incendie, enlevez les débris d'herbe et autres agglomérés sur l'unité de coupe, les entraînements, le silencieux et le moteur.
- Démarrez le moteur en gardant les pieds à bonne distance des lames.
- Sachez dans quel sens s'effectue l'éjection et ne la dirigez jamais vers qui que ce soit. Ne projetez rien contre un mur ou un obstacle, car le matériau éjecté pourrait ricocher dans votre direction.
- Arrêtez les lames, ralentissez et faites preuve de prudence lorsque vous traversez des surfaces autres qu'une pelouse et quand vous déplacez la machine entre les surfaces de travail.
- Ne modifiez pas le réglage du régulateur et ne faites pas tourner le moteur à un régime excessif.
- Les enfants sont souvent attirés par la machine et l'activité de tonte. Ne partez jamais du principe que les enfants se trouvent encore à l'endroit où vous les avez vus pour la dernière fois.
- Veillez à ce que les enfants restent hors de la zone de travail, sous la garde d'un adulte responsable autre que l'utilisateur.
- Restez sur vos gardes et arrêtez la machine si des enfants entrent dans la zone de travail.
- Avant de faire marche arrière ou de changer de direction, vérifiez derrière et autour de vous qu'aucun enfant n'est présent.
- Ne transportez pas d'enfants sur la machine, même si les lames sont arrêtées. Les enfants

pourraient tomber et se blesser gravement ou vous empêcher d'utiliser la machine en toute sécurité. Les enfants qui ont été autorisés à monter sur la machine en marche par le passé peuvent apparaître subitement dans la zone de travail et risquent alors d'être renversés ou écrasés par la machine.

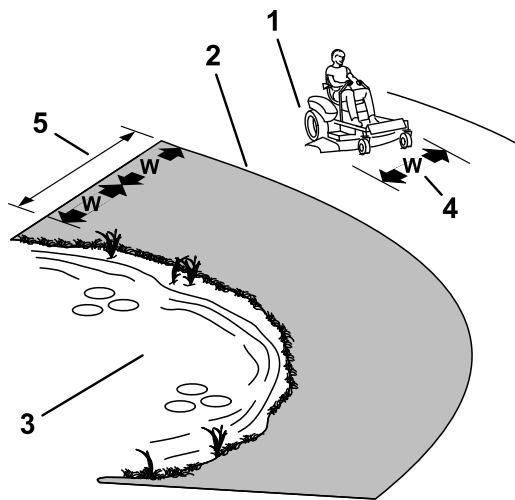
Consignes de sécurité concernant l'utilisation sur les pentes

- Les pentes augmentent significativement les risques de perte de contrôle et de retournement de la machine pouvant entraîner des accidents graves, voire mortels. L'utilisateur est responsable de la sécurité d'utilisation de la machine sur les pentes. L'utilisation de la machine sur une pente, quelle qu'elle soit, demande une attention particulière. Avant d'utiliser la machine sur une pente, vous devez :
 - Lire et comprendre les instructions relatives à l'utilisation sur les pentes qui figurent dans le manuel et sur la machine.
 - Utiliser l'indicateur d'angle pour déterminer l'angle approximatif de la pente sur laquelle vous devez travailler.
 - Ne travaillez jamais sur des pentes de plus de 15°.
 - Évaluer chaque jour l'état du terrain pour déterminer si la pente permet d'utiliser la machine sans risque. Faites preuve de bon sens et de discernement lors de cette évaluation. Les conditions changeantes du terrain, telle l'humidité, peuvent rapidement modifier le fonctionnement de la machine sur les pentes.
- Repérez les dangers potentiels depuis le bas de la pente. N'utilisez pas la machine près de fortes dénivellations, fossés, berges, étendues d'eau ou autres dangers. La machine pourrait se retourner brusquement si une roue passe par-dessus une dénivellation quelconque et se retrouve dans le vide, ou si un bord s'effondre. Maintenez une distance de sécurité (deux fois la largeur de la machine) entre la machine et tout danger potentiel. Utilisez une tondeuse autotractée ou une débroussailleuse manuelle pour tondre sur ce type de terrain.
- Évitez de démarrer, de vous arrêter ou de tourner sur les pentes. Ne changez pas soudainement de vitesse ou de direction; tournez lentement et graduellement.
- N'utilisez pas la machine si l'adhérence, la direction ou la stabilité peuvent être compromises. Tenez compte du fait qu'une perte de l'adhérence peut se produire sur l'herbe humide, en travers des pentes ou dans les descentes. La perte

d'adhérence des roues motrices peut faire déraiper la machine et entraîner la perte du freinage et de la direction. La machine peut déraiper même si les roues motrices ne tournent plus.

- Enlevez ou balisez les obstacles tels que fossés, trous, ornières, bosses, rochers ou autres dangers cachés. L'herbe haute peut masquer les accidents du terrain. Les irrégularités du terrain peuvent provoquer le retournement de la machine.
- Redoublez de prudence lorsque vous utilisez la machine équipée d'outils ou d'accessoires, tels des systèmes de ramassage. Ceux-ci peuvent modifier la stabilité et entraîner la perte de contrôle de la machine. Suivez les instructions d'utilisation des contrepoids.
- Dans la mesure du possible, gardez le tablier de coupe abaissé au sol quand vous utilisez la machine sur des pentes. La machine peut devenir instable si vous levez le tablier de coupe pendant l'utilisation sur une pente.

- N'utilisez pas la machine pour tracter quoi que ce soit, à moins qu'elle ne soit équipée d'un dispositif d'attelage.
- Ne dépassez pas les limites de poids spécifiées pour le matériel remorqué et le remorquage sur les pentes. Le poids remorqué ne doit pas dépasser le poids combiné de la machine et de l'opérateur.
- Ne laissez jamais approcher ni enfants ni adultes du matériel remorqué.
- Sur les pentes, le poids du matériel remorqué peut provoquer une perte de la motricité et du contrôle de la machine, et accroître le risque de retournement. Réduisez le poids remorqué et ralentissez.
- La distance d'arrêt peut augmenter avec le poids de la charge remorquée. Conduisez lentement et prévoyez une distance de freinage plus grande que la normale.
- Prenez des virages larges pour éviter que l'accessoire ne vienne toucher la machine.



g229111

Figure 12

- | | |
|---|--|
| 1. Zone de sécurité – utiliser la machine ici sur les pentes de moins de 15° ou sur les terrains plats | 4. L = largeur de la machine |
| 2. Zone dangereuse – utiliser une tondeuse autotractée et/ou une débroussailleuse à main sur les pentes de plus de 15° , ainsi que près des dénivellations ou des étendues d'eau | 5. Maintenir une distance de sécurité (deux fois la largeur de la machine) entre la machine et tout danger potentiel |
| 3. Eau | |

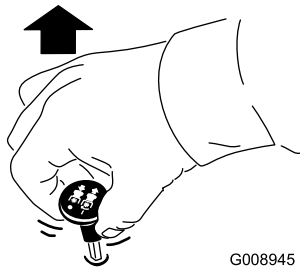
Sécurité de remorquage

- L'équipement remorqué ne doit être attaché qu'au point d'attelage.

Fonctionnement de la commande des lames (PDF)

La commande des lames (PDF) permet de démarrer et d'arrêter la rotation des lames et des autres accessoires qu'elle entraîne.

Engager la commande des lames (PDF)

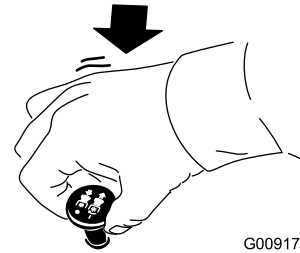


G008945

g008945

Figure 13

Désengager la commande des lames (PDF)

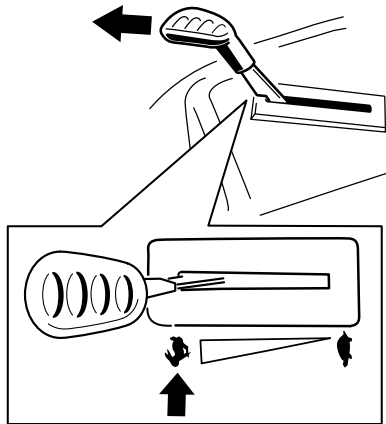


G009174

g009174

Figure 15

Remarque: Engagez toujours les lames en plaçant la commande d'accélérateur à la position HAUT RÉGIME (Figure 14).



g295538

Figure 14

Utilisation de l'accélérateur

Vous pouvez déplacer la commande d'accélérateur entre les positions HAUT RÉGIME et BAS RÉGIME (Figure 16).

Sélectionnez toujours la position HAUT RÉGIME quand vous engagez la PDF.

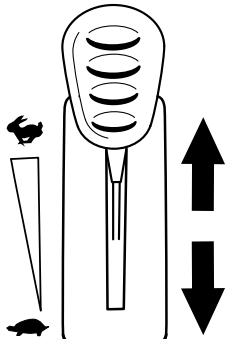


Figure 16

g295539

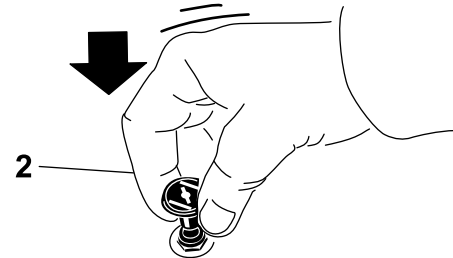
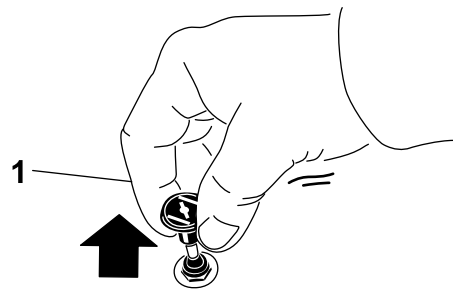


Figure 17

g295540

1. Position EN SERVICE

2. Position HORS SERVICE

Utilisation du volet de départ

Utilisez le volet de départ pour démarrer quand le moteur est froid.

1. Tirez sur la commande du volet de départ pour engager le volet de départ avant d'utiliser le commutateur d'allumage (Figure 17).

Remarque: Veillez à engager complètement la commande du volet de départ. Vous devrez peut-être maintenir la commande tirée quand vous utilisez le commutateur d'allumage.

2. Appuyez sur la commande pour désengager le volet de départ une fois que le moteur a démarré (Figure 17).

Démarrage du moteur

Remarque: L'usage du volet de départ n'est généralement pas nécessaire si le moteur est chaud.

Important: N'actionnez pas le démarreur plus de 5 secondes de suite. N'actionnez pas le démarreur plus de 5 secondes de suite au risque de l'endommager. Si le moteur refuse de démarrer, patientez 1 minute avant d'actionner à nouveau le démarreur.

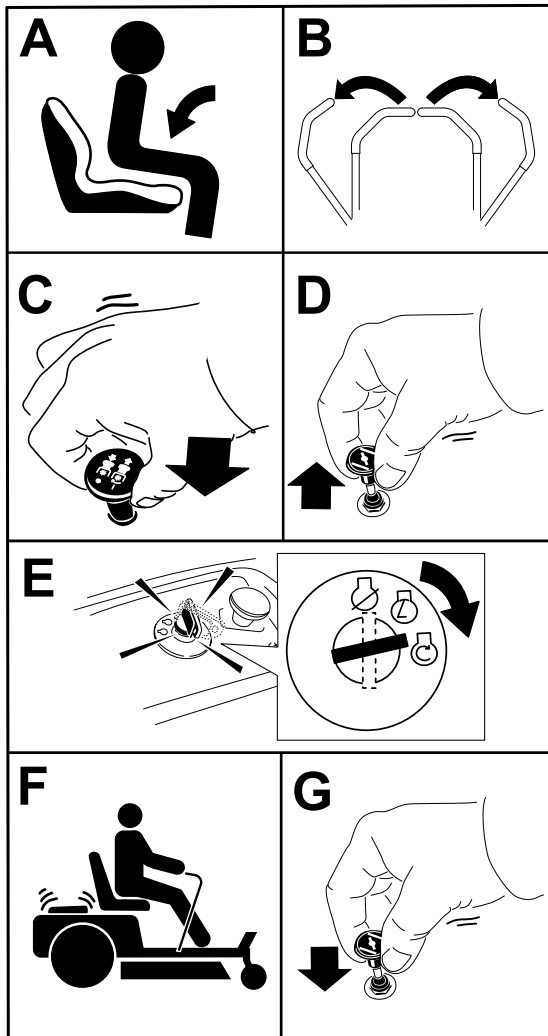


Figure 18

g295541

Arrêt du moteur

1. Désengagez les lames en plaçant la commande des lames en position DÉSENGAGÉE.
2. Poussez les leviers de commande de déplacement vers l'extérieur, à la position STATIONNEMENT.
3. Placez la commande d'accélérateur à la position BAS RÉGIME et laissez tourner le moteur au ralenti pendant 1 minute.
4. Tournez la clé à la position ARRÊT et retirez-la.

⚠ PRUDENCE

Les enfants ou les personnes à proximité risquent de se blesser s'ils déplacent la machine ou essaient de l'utiliser lorsqu'elle est laissée sans surveillance.

Retirez toujours la clé et serrez le frein de stationnement si vous laissez la machine sans surveillance.

Utilisation des leviers de commande de déplacement

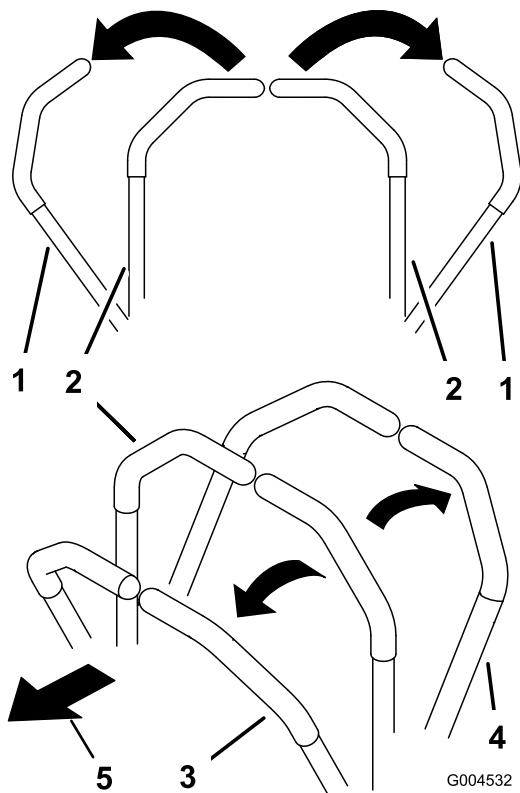


Figure 19

- | | |
|---|------------------------|
| 1. Levier de commande de déplacement – position STATIONNEMENT | 4. Marche arrière |
| 2. Position centrale de déverrouillage | 5. Avant de la machine |
| 3. Marche avant | |

Conduite de la machine

Les roues motrices tournent indépendamment et sont entraînées par les moteurs hydrauliques sur chaque essieu. Vous pouvez faire tourner un côté en arrière pendant que l'autre tourne en avant, ce qui fait pivoter la machine au lieu de la faire changer de direction. La maniabilité de la machine en est grandement améliorée, mais cette manière de conduire pourra demander un certain temps d'adaptation.

La commande d'accélérateur agit sur le régime moteur qui se mesure en tours/minute (tr/min). Placez la commande d'accélérateur en position HAUT RÉGIME pour obtenir des performances optimales. Pour travailler, placez toujours la commande d'accélérateur en position Haut régime (plein gaz).

⚠ ATTENTION

La machine peut tourner très rapidement. Vous risquez de perdre le contrôle de la machine et de vous blesser gravement ou d'endommager la machine.

- **Faites preuve d'une extrême prudence dans les virages.**
- **Ralentissez avant de prendre des virages serrés.**

Conduite en marche avant

Remarque: Tournez toujours avec précaution.

1. Amenez les leviers de commande de déplacement au centre, en position déverrouillée.
2. Pour vous déplacer en marche avant, poussez lentement les leviers de commande de déplacement vers l'avant (Figure 20).

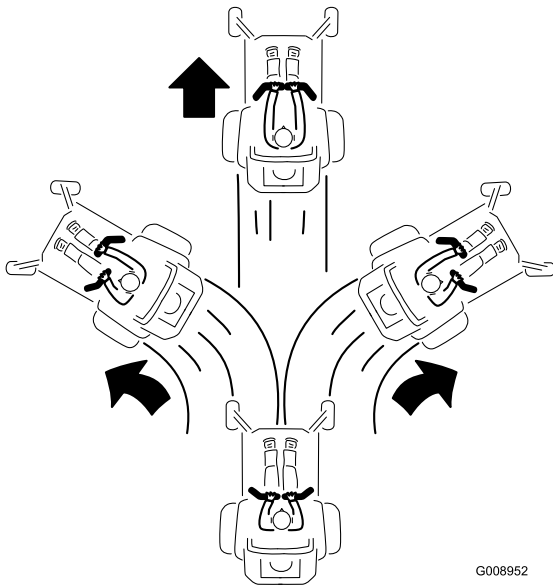


Figure 20

G008952

g008952

Conduite en marche arrière

Remarque: Faites toujours marche arrière et tournez avec précaution.

1. Amenez les leviers de commande de déplacement au centre, en position déverrouillée.
2. Pour vous déplacer en marche arrière, tirez lentement les leviers en arrière (Figure 21).

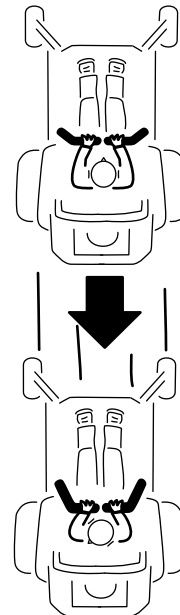


Figure 21

G008953

g008953

Utilisation du système de commande Smart Speed™

Le levier du système de commande Smart Speed™ est situé sous la position d'utilisation (Figure 22) et permet de choisir entre 3 gammes de vitesses : finition, remorquage et tonte.

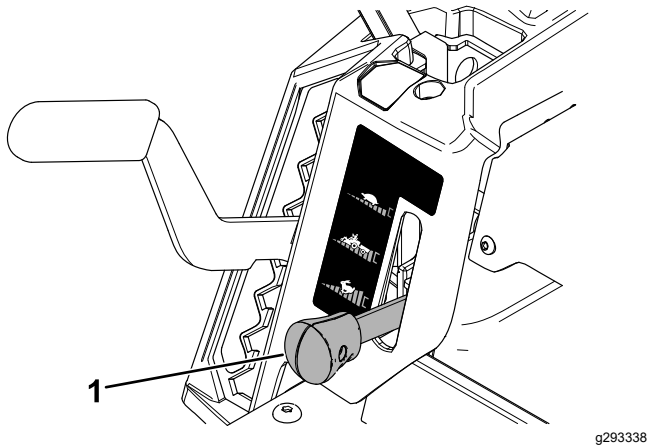


Figure 22

1. Levier de commande Smart Speed

Pour changer de vitesse, procédez comme suit :

1. Poussez les leviers de commande de déplacement au point mort et vers l'extérieur, à la position STATIONNEMENT.
2. Désengagez la commande des lames.
3. Placez le levier à la position voulue.

Les chiffres suivants ne sont fournis qu'à titre indicatif. Les réglages varient selon le type, l'humidité et la hauteur de l'herbe.

Utilisations suggérées :	Tonte de finition	Remorquage	Tonte
Stationnement	X		
Herbe épaisse et humide	X		
Apprendre à se servir de la machine	X		
Tonte	X		
Ramassage		X	
Déchetage		X	
Accessoires de remorquage		X	

Tonte normale			X
Déplacer la machine			X

Tonte de finition

Cette vitesse est la plus basse. Il est conseillé d'utiliser cette vitesse dans les cas suivants :

- Stationnement
- Herbe épaisse et humide
- Apprendre à se servir de la machine
- Tonte

Remorquage

Cette vitesse est la vitesse intermédiaire. Il est conseillé d'utiliser cette vitesse dans les cas suivants :

- Ramassage
- Déchetage
- Accessoires de remorquage

Tonte

Cette vitesse est la plus élevée. Il est conseillé d'utiliser cette vitesse dans les cas suivants :

- Tonte normale
- Déplacer la machine

Utilisation de l'éjection latérale

La tondeuse est équipée d'un déflecteur d'herbe pivotant qui permet de disperser les déchets de tonte sur le côté et à la surface de la pelouse.

⚠ DANGER

Si le déflecteur d'herbe, l'obturateur d'éjection ou le bac à herbe complet n'est pas en place sur la machine, vous-même ou d'autres personnes peuvent être touchés par une lame ou des projections de débris. Les lames en rotation et les débris projetés peuvent occasionner des blessures graves ou mortelles.

- N'enlevez jamais le déflecteur d'herbe du tablier de coupe, sa présence est nécessaire pour diriger l'herbe coupée sur la pelouse. Si le déflecteur d'herbe est endommagé, remplacez-le immédiatement.
- Ne mettez jamais les mains ou les pieds sous le tablier de coupe.
- N'essayez jamais de dégager l'ouverture d'éjection ou les lames sans avoir au préalable amené la commande des lames (PDF) en position DÉSENGAGÉE, tourné la clé de contact en position ARRÊT et enlevé la clé.
- Vérifiez que le déflecteur d'herbe est abaissé.

Réglage de la hauteur de coupe

Remarque: La position de transport est la position de hauteur de coupe la plus élevée (114 mm [4½ po]), comme montré à la [Figure 23](#).

Vous pouvez régler la hauteur de coupe de 38 à 114 mm (1½ à 4½ po) par paliers de 13 mm (½ po). La hauteur de coupe est réglée par le levier situé à droite de la position d'utilisation ([Figure 23](#)).

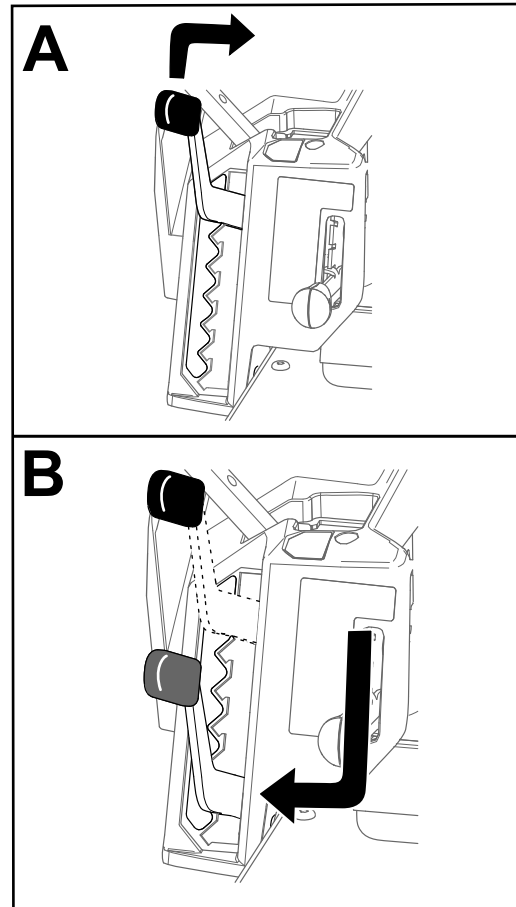


Figure 23

g296586

Réglage des galets anti-scalp

Ajustez la hauteur des galets anti-scalp chaque fois que vous modifiez la hauteur de coupe.

Remarque: Réglez les galets anti-scalp de sorte qu'ils ne touchent pas le sol sur les surfaces normales et planes.

1. Garez la machine sur une surface plane et horizontale, placez la commande des lames en position désengagée et les leviers de commande de déplacement à la position STATIONNEMENT.
2. Avant de quitter la position d'utilisation, coupez le moteur, enlevez la clé et attendez l'arrêt complet de toutes les pièces mobiles.
3. Réglez les galets anti-scalp à l'une des positions suivantes :
 - Trou supérieur – utilisez cette position pour les hauteurs de coupe du tablier jusqu'à 63 mm (2½ po) (Figure 24).
 - Trou inférieur – utilisez cette position pour les hauteurs de coupe du tablier à partir de 76 mm (3 po) (Figure 24).

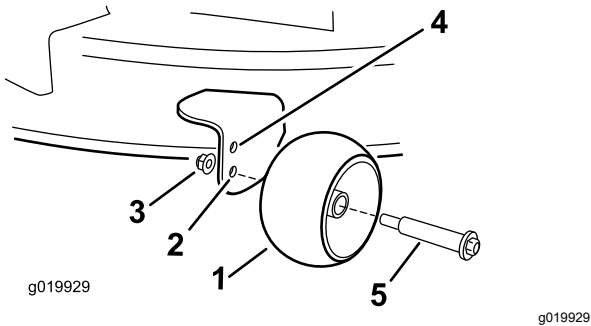


Figure 24

- | | |
|---|--|
| 1. Galet anti-scalp | 4. Trou supérieur – hauteurs de coupe du tablier de coupe jusqu'à 63 mm (2½ po). |
| 2. Trou inférieur – hauteurs de coupe du tablier de coupe à partir de 76 mm (3 po). | 5. Boulon |
| 3. Écrou à embase | |

Conseils d'utilisation

Maximiser la circulation d'air

Pour obtenir une circulation d'air maximale et des résultats optimaux, faites tourner le moteur à HAUT RÉGIME. L'air doit pouvoir circuler pour bien couper l'herbe. Pour cette raison, ne sélectionnez pas une hauteur de coupe trop basse car le tablier de coupe serait alors complètement entouré d'herbe haute. Placez-vous toujours de sorte qu'un côté du tablier de coupe se trouve à l'extérieur de la zone non coupée. L'air pourra ainsi circuler librement dans le tablier de coupe.

Tonte initiale

Tondez l'herbe légèrement plus haut que d'habitude pour éviter de scalper les inégalités du terrain. La hauteur de coupe habituelle est cependant celle qui convient le mieux en général. Si la hauteur de l'herbe dépasse 15 cm (6 po), vous devrez peut-être vous y reprendre à deux fois pour obtenir un résultat acceptable.

Tonte du tiers de la hauteur de l'herbe

L'idéal est de ne raccourcir l'herbe que du tiers de sa hauteur. Une coupe plus courte est déconseillée, à moins que l'herbe ne soit clairsemée, ou en automne lorsque la pousse commence à ralentir.

Alternance de la direction de la tonte

Alternez le sens des passages pour ne pas coucher l'herbe. L'alternance permet aussi de mieux disperser l'herbe coupée, ce qui améliore la décomposition et la fertilisation.

Fréquence de tonte

L'herbe pousse plus ou moins vite selon la saison. Pour conserver une hauteur de coupe régulière, tondez plus souvent au début du printemps. Réduisez la fréquence de tonte au milieu de l'été, lorsque l'herbe pousse moins vite. Si le gazon n'a pas été tondu depuis un certain temps, tondez une première fois assez haut, puis un peu plus bas 2 jours plus tard.

Tondre à petites vitesses

Dans certaines conditions, la tonte à vitesse réduite peut améliorer la qualité de coupe.

Éviter une tonte trop rase

Si le gazon est irrégulier, augmentez la hauteur de coupe pour éviter de le scalper en tondant.

Arrêt de la machine

Si vous immobilisez la machine en cours de tonte, un paquet d'herbe coupée peut tomber sur la pelouse. Pour éviter cela, rendez-vous dans une zone déjà tondue en laissant les lames engagées ou désengagez le tablier de coupe pendant la marche avant de la machine.

Propreté du dessous du tablier de coupe

Nettoyez le dessous du tablier de coupe après chaque utilisation. Ne laissez pas l'herbe et la terre s'accumuler à l'intérieur, car la qualité de la tonte finira par en souffrir.

Entretien des lames

Utilisez une lame bien aiguisée durant toute la saison de tonte, pour obtenir une coupe nette sans arracher ni déchiqueter les brins d'herbe. L'herbe arrachée ou déchiquetée brunit sur les bords, sa croissance ralentit et elle devient plus sensible aux maladies. Après chaque utilisation, vérifiez l'état, l'usure et l'affûtage des lames. Limez les entailles éventuelles et aiguiser les lames au besoin. Remplacez immédiatement les lames endommagées ou usées par des lames Toro d'origine. Voir [Entretien des lames \(page 44\)](#).

Après l'utilisation

Consignes de sécurité après l'utilisation

Consignes de sécurité générales

- Avant de quitter la position d'utilisation, coupez le moteur, enlevez la clé et attendez l'arrêt complet de toutes les pièces mobiles. Laissez refroidir la machine avant de la régler, la réparer, la nettoyer, la remiser ou de faire le plein de carburant.
- Pour éviter les risques d'incendie, enlevez les débris d'herbe et autres agglomérés sur l'unité de coupe, les entraînements, le bac à herbe et le compartiment moteur. Nettoyez les coulées éventuelles d'huile ou de carburant.
- Enlevez la clé avant de transporter ou remiser la machine.

Nettoyage de la machine

Périodicité des entretiens: Après chaque utilisation

Important: Vous pouvez laver la machine avec de l'eau et un détergent doux. N'utilisez pas de nettoyeur haute pression. N'utilisez pas une trop grande quantité d'eau, surtout près du panneau de commande, sous le siège, et à proximité du moteur, des pompes hydrauliques et des moteurs électriques.

1. Garez la machine sur une surface plane et horizontale, placez la commande des lames en position désengagée et les leviers de commande de déplacement à la position STATIONNEMENT.
2. Coupez le moteur et attendez l'arrêt complet de toutes les pièces mobiles avant de quitter la position d'utilisation.
3. Enlevez les débris d'herbe et autres agglomérés sur l'unité de coupe, le silencieux, les entraînements, le bac à herbe et le moteur.

Remarque: Voir la section [Lavage du dessous du tablier de coupe. \(page 52\)](#) pour tout renseignement sur l'utilisation du raccord de lavage du tablier.

Pousser la machine à la main

Cette machine comprend un mécanisme de freinage électrique et la clé doit être en position CONTACT pour pousser la machine. La batterie doit être chargée et opérationnelle pour que le frein électrique puisse être desserré.

1. Garez la machine sur une surface plane et horizontale, placez la commande des lames en position désengagée et les leviers de commande de déplacement à la position STATIONNEMENT.
2. Coupez le moteur et attendez l'arrêt complet de toutes les pièces mobiles avant de quitter la position d'utilisation.
3. Localisez les leviers de dérivation sur le châssis, des deux côtés du moteur.
4. Déplacez les deux leviers de dérivation en avant dans la fente, puis vers le bas pour les verrouiller en position (Figure 25).

⚠ ATTENTION

Les pièces brûlantes peuvent causer des blessures.

Gardez les mains, les pieds, le visage et toute autre partie du corps ainsi que les vêtements à l'écart du moteur, du silencieux et autres surfaces brûlantes.

⚠ ATTENTION

La machine peut se déplacer inopinément alors que les leviers de dérivation sont verrouillés en avant dans la fente et vous blesser ou blesser toute personne à proximité.

Verrouillez les leviers de dérivation en position arrière avant de déplacer la machine.

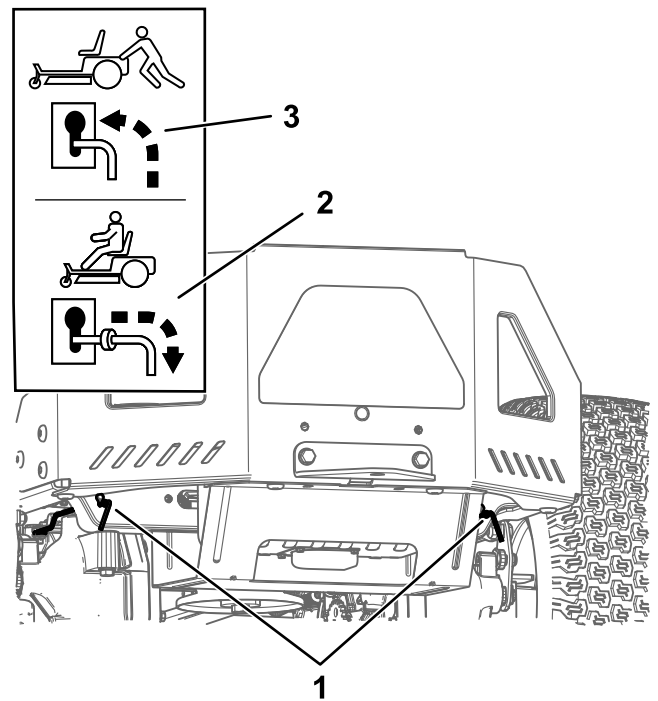


Figure 25

g333873

1. Emplacements des leviers de dérivation
2. Position des leviers pour conduire la machine
3. Position des leviers pour pousser la machine

5. Tournez la clé de contact à la position CONTACT et desserrez le frein de stationnement en sortant un des leviers de commande de déplacement de la position STATIONNEMENT.

Remarque: Ne démarrez pas la machine.

6. Déplacez la machine selon les besoins.

Important: Poussez toujours la machine à la main. Ne remorquez pas la machine au risque de l'endommager.

7. Poussez les leviers de commande de déplacement vers l'extérieur, à la position STATIONNEMENT.
8. Tournez la clé à la position ARRÊT et retirez-la pour éviter de décharger la batterie.
9. Déplacez les deux leviers de dérivation en arrière et vers le bas dans la fente pour les bloquer en place.

Transport de la machine

Transportez la machine sur une remorque de poids-lourd ou un camion. Utilisez une rampe d'une seule pièce. Le camion ou la remorque doit être équipé(e) des freins, des éclairages et de la signalisation exigés par la loi. Lisez attentivement toutes les consignes de sécurité. Tenez-en compte pour éviter de vous blesser ou de blesser des personnes à proximité. Reportez-vous aux ordonnances locales concernant les exigences d'arrimage et de remorquage.

⚠ ATTENTION

Il est dangereux de conduire sur la voie publique sans clignotants, éclairages, réflecteurs ou panneau « véhicule lent »; vous risquez de provoquer un accident et de vous blesser.

Ne conduisez pas la machine sur la voie publique.

Choisir une remorque

⚠ ATTENTION

Le chargement de la machine sur une remorque ou un camion augmente le risque de basculement, et donc de blessures graves ou mortelles (Figure 26).

- Utilisez uniquement une rampe pleine largeur; n'utilisez pas de rampes séparées de chaque côté de la machine.
- L'angle entre la rampe et le sol, ou entre la rampe et la remorque ou le camion, ne doit pas dépasser 15 degrés.
- La rampe doit être au moins quatre fois plus longue que la hauteur de la remorque ou du plateau de chargement par rapport au sol. De la sorte, l'angle de la rampe ne dépassera pas 15 degrés sur un sol plat.

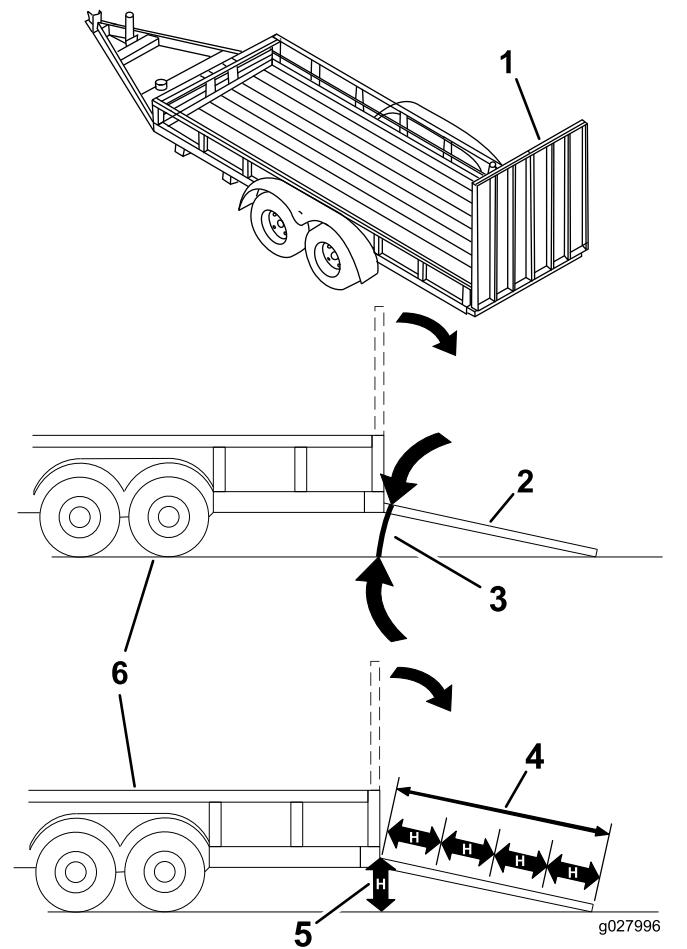


Figure 26

1. Rampe d'une seule pièce en position rangée
2. Vue latérale de la rampe d'une seule pièce en position de chargement
3. 15 degrés maximum
4. La rampe doit être au moins quatre fois plus longue que la hauteur de la remorque ou du plateau de chargement par rapport au sol.
5. H = hauteur du plateau de la remorque ou du camion par rapport au sol
6. Remorque

Chargement de la machine

⚠ ATTENTION

Le chargement de la machine sur une remorque ou un camion augmente le risque de basculement et donc de blessures graves ou mortelles.

- Procédez avec la plus grande prudence lorsque vous manœuvrez la machine sur une rampe.
 - Montez la rampe en marche arrière et descendez-la en marche avant.
 - Évitez d'accélérer ou de décélérer brutalement lorsque vous conduisez la machine sur une rampe car vous pourriez en perdre le contrôle ou la faire basculer.
1. Si vous utilisez une remorque, attelez-la au véhicule tracteur et attachez les chaînes de sécurité.
 2. Le cas échéant, raccordez les freins et connectez l'éclairage de la remorque.
 3. Abaissez la rampe pour que l'angle avec le sol ne dépasse pas 15 degrés (Figure 26).
 4. Montez la rampe en marche arrière (Figure 27).

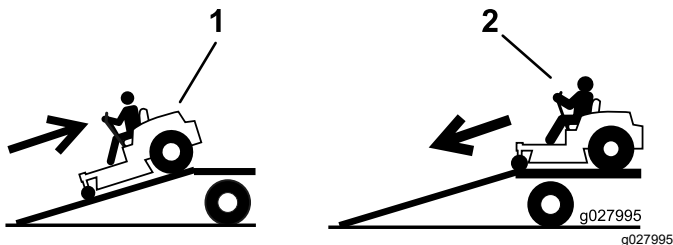


Figure 27

1. Monter la rampe en marche arrière
2. Descendre la rampe en marche avant

5. Coupez le moteur, retirez la clé et écartez les leviers de commande de déplacement à la position STATIONNEMENT.
6. Arrimez la machine près des roues pivotantes avant et du cadre arrière à l'aide de sangles, chaînes, câbles ou cordes (Figure 28). Reportez-vous à la réglementation locale concernant les exigences en matière d'arrimage.

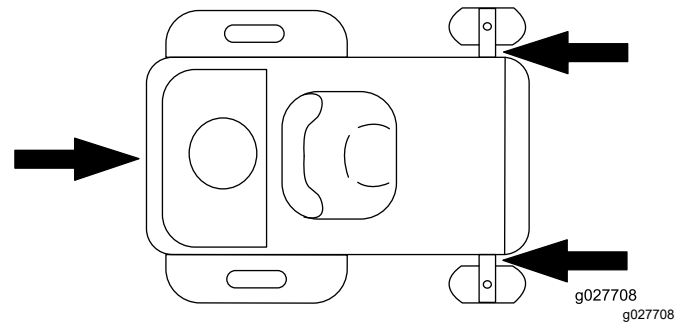


Figure 28

1. Points d'attache

Déchargement de la machine

1. Abaissez la rampe pour que l'angle avec le sol ne dépasse pas 15 degrés (Figure 26).
2. Descendez la rampe en marche avant (Figure 27).

Entretien

Remarque: Les côtés gauche et droit de la machine sont déterminés d'après la position d'utilisation normale.

Consignes de sécurité pendant l'entretien

- Si vous laissez la clé dans le commutateur d'allumage, quelqu'un pourrait mettre le moteur en marche accidentellement et vous blesser gravement, ainsi que toute personne à proximité. Avant tout entretien, retirez la clé du commutateur d'allumage.
- Avant de quitter la position d'utilisation, effectuez la procédure suivante :
 - Garez la machine sur une surface plane et horizontale.
 - Débrayez les entraînements.
 - Serrez le frein de stationnement.
 - Coupez le moteur et enlevez la clé.
 - Laissez refroidir les composants de la machine avant d'effectuer un entretien.
- Ne confiez pas l'entretien de la machine à des personnes non qualifiées.
- N'approchez jamais les mains ou les pieds des pièces mobiles ou des surfaces chaudes. Dans la mesure du possible, évitez d'effectuer des réglages sur la machine quand le moteur est en marche.
- Libérez la pression emmagasinée dans les composants avec précaution.
- Vérifiez souvent le fonctionnement du frein de stationnement. Effectuez les réglages et l'entretien éventuellement requis.
- N'enlevez et ne modifiez jamais les dispositifs de sécurité. Vérifiez régulièrement qu'ils fonctionnent correctement.
- Pour éviter les risques d'incendie, enlevez les débris d'herbe et autres agglomérés sur l'unité de coupe, le silencieux, les entraînements, le bac à herbe et le compartiment moteur.
- Nettoyez les coulées éventuelles d'huile ou de carburant et éliminez les débris imbibés de carburant.
- Ne vous fiez pas uniquement à des crics hydrauliques ou mécaniques pour soutenir la machine; soutenez-la avec des chandelles quand vous la soulevez.
- Maintenez toutes les pièces en bon état de marche et toutes les fixations bien serrées, surtout la visserie de fixation des lames. Remplacez tous les autocollants usés ou endommagés.
- Débranchez le câble de la borne négative de la batterie avant de réparer la machine.
- Pour garantir un rendement optimal, utilisez uniquement des pièces de rechange et accessoires Toro d'origine. Les pièces de rechange et accessoires d'autres constructeurs peuvent être dangereux et leur utilisation risque d'annuler la garantie de la machine.

Programme d'entretien recommandé

Périodicité d'entretien	Procédure d'entretien
À chaque utilisation ou une fois par jour	<ul style="list-style-type: none">• Contrôlez le système de sécurité.• Contrôlez le niveau d'huile moteur.• Nettoyez le circuit de refroidissement (plus fréquemment si vous utilisez la machine dans une atmosphère poussiéreuse ou sale).• Examinez les lames.• Vérifiez l'état du déflecteur d'herbe.
Après chaque utilisation	<ul style="list-style-type: none">• Enlevez les débris d'herbe et autres agglomérés sur l'unité de coupe, le silencieux, les entraînements, le bac à herbe et le moteur.• Nettoyez le carter du tablier de coupe.
Toutes les 25 heures	<ul style="list-style-type: none">• Graissez les roulements des roues pivotantes (plus fréquemment si le sol est sableux).• Nettoyez l'élément en mousse du filtre à air (plus fréquemment si vous utilisez la machine dans une atmosphère poussiéreuse ou sale).• Contrôlez la pression des pneus.• Contrôlez l'état des courroies (usure/fissures).

Périodicité d'entretien	Procédure d'entretien
Toutes les 100 heures ou tous les ans, la première échéance prévalant	<ul style="list-style-type: none"> Remplacez l'élément en papier du filtre à air (plus fréquemment s'il y a beaucoup de poussière ou de saleté). Remplacez l'huile moteur et le filtre à huile (plus fréquemment en cas de saleté ou poussière abondantes).
Avant le remisage	<ul style="list-style-type: none"> Chargez la batterie et débranchez les câbles. Effectuez tous les contrôles et entretiens mentionnés ci-dessus avant de remettre la machine. Repeignez les surfaces écaillées.
Une fois par an	<ul style="list-style-type: none"> Remplacez les éléments en papier et en mousse du filtre à air. (plus fréquemment si vous utilisez la machine dans une atmosphère poussiéreuse ou sale). Remplacez la ou les bougies. Remplacez le filtre à carburant en ligne.

Important: Reportez-vous au manuel du propriétaire du moteur pour toutes procédures d'entretien supplémentaires.

⚠ PRUDENCE

Si vous laissez la clé dans le commutateur d'allumage, quelqu'un pourrait mettre le moteur en marche accidentellement et vous blesser gravement, ainsi que toute personne à proximité.

Coupez le moteur et enlevez la clé du commutateur d'allumage avant d'effectuer un entretien.

Procédures avant l'entretien

Levage de la machine

Soutenez la machine levée avec des chandelles.

⚠ ATTENTION

Si vous soutenez la machine en vous servant de la protection inférieure du silencieux (Figure 29), vous risquez d'endommager la protection et de faire tomber la machine, vous blessant ou blessant d'autres personnes.

N'utilisez pas la protection inférieure du silencieux pour soulever ou soutenir la machine.

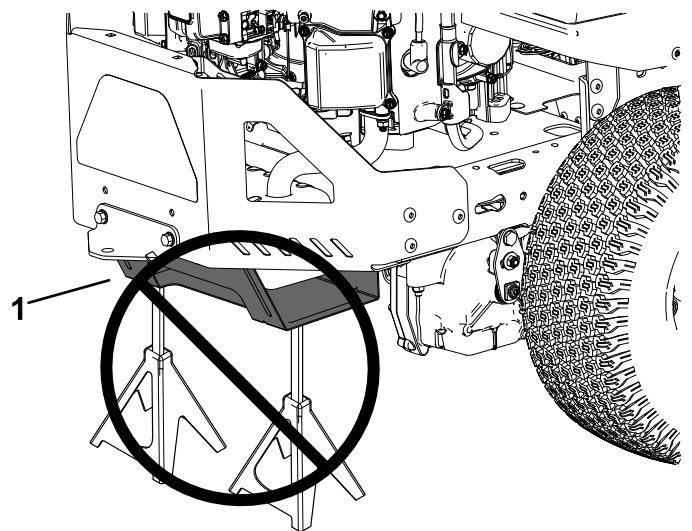


Figure 29

g299647

1. Protection inférieure du silencieux

Lubrification

Graissage des roulements

Périodicité des entretiens: Toutes les 25 heures—Graissez les roulements des roues pivotantes (plus fréquemment si le sol est sableux).

Type de graisse : graisse n° 2 au lithium

1. Garez la machine sur une surface plane et horizontale, placez la commande des lames en position désengagée et les leviers de commande de déplacement à la position STATIONNEMENT.
2. Avant de quitter la position d'utilisation, coupez le moteur, enlevez la clé et attendez l'arrêt complet de toutes les pièces mobiles.
3. Nettoyez les graisseurs (Figure 30) avec un chiffon.

Remarque: Grattez la peinture qui pourrait se trouver sur l'avant des graisseurs.

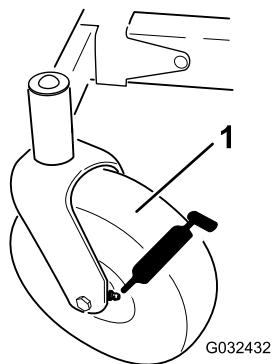


Figure 30

1. Pneu de roue pivotante

4. Raccordez un pistolet de graissage à chaque graisseur (Figure 30).
5. Injectez de la graisse dans les graisseurs jusqu'à ce qu'elle commence à sortir des roulements.
6. Essuyez tout excès de graisse.

Entretien du moteur

Consignes de sécurité pour le moteur

- Gardez les mains, les pieds, le visage et toute autre partie du corps, ainsi que les vêtements à l'écart du silencieux et autres surfaces brûlantes. Laissez refroidir les composants du moteur avant d'effectuer tout entretien.
- Ne modifiez pas le réglage du régulateur et ne faites pas tourner le moteur à un régime excessif.

Entretien du filtre à air

Périodicité des entretiens: Toutes les 25 heures—Nettoyez l'élément en mousse du filtre à air (plus fréquemment si vous utilisez la machine dans une atmosphère poussiéreuse ou sale).

Une fois par an—Remplacez les éléments en papier et en mousse du filtre à air. (plus fréquemment si vous utilisez la machine dans une atmosphère poussiéreuse ou sale).

Remarque: Nettoyez le filtre à air plus fréquemment (toutes les quelques heures de fonctionnement) si vous travaillez dans des conditions très poussiéreuses ou sableuses.

Retrait des éléments du filtre à air

1. Garez la machine sur une surface plane et horizontale, placez la commande des lames en position désengagée et les leviers de commande de déplacement à la position STATIONNEMENT.
2. Avant de quitter la position d'utilisation, coupez le moteur, enlevez la clé et attendez l'arrêt complet de toutes les pièces mobiles.
3. Nettoyez la surface autour du couvercle du filtre à air pour éviter que des impuretés n'endommagent le moteur en tombant à l'intérieur.
4. Desserrez les fixations et déposez le couvercle.

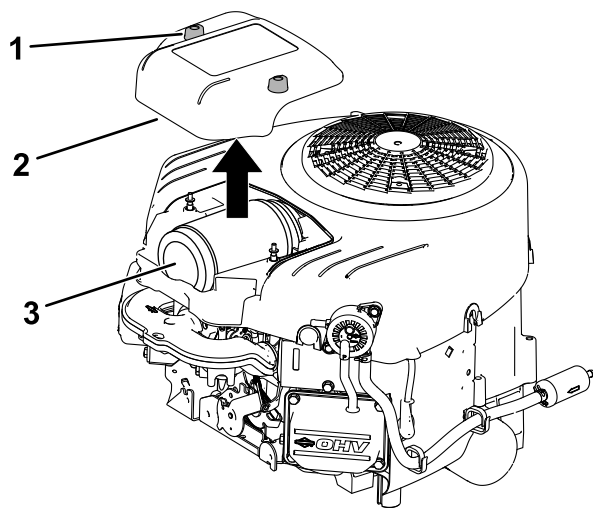


Figure 31

g399637

- | | |
|---------------------------|-----------------------|
| 1. Fixations du couvercle | 3. Éléments filtrants |
| 2. Couvercle | |

- Retirez les éléments du filtre à air.
- Séparez les éléments en mousse et en papier.

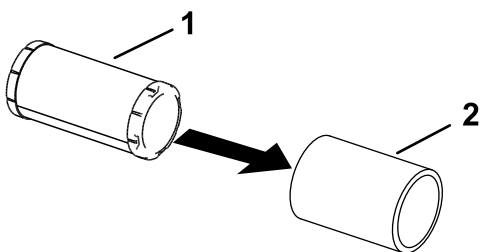


Figure 32

g305608

- | | |
|----------------------|----------------------|
| 1. Élément en papier | 2. Élément en mousse |
|----------------------|----------------------|

Entretien de l'élément en mousse

- Lavez l'élément en mousse dans de l'eau chaude additionnée de savon liquide. Rincez soigneusement l'élément une fois propre.
- Séchez l'élément en le pressant dans un chiffon propre.

Important: Remplacez l'élément en mousse s'il est usé ou déchiré.

- Huilez légèrement l'élément en mousse avec de l'huile moteur propre et pressez l'élément pour éliminer l'excédent d'huile.

Entretien de l'élément en papier du filtre à air

Périodicité des entretiens: Toutes les 100 heures ou tous les ans, la première échéance prévalant—Remplacez l'élément en papier du filtre à air (plus fréquemment s'il y a beaucoup de poussière ou de saleté).

- Nettoyez l'élément en papier en le tapotant pour faire tomber la poussière.

Remarque: Remplacez-le par un neuf s'il est très encrassé.

- Vérifiez que l'élément n'est pas déchiré ni couvert d'une pellicule grasse, et que le joint de caoutchouc n'est pas endommagé.
- Remplacez l'élément en papier s'il est endommagé.

Important: Ne nettoyez pas l'élément en papier.

Installation des éléments du filtre à air

- Placez le préfiltre en mousse sur l'élément en papier.

Remarque: Veillez à ne pas endommager les éléments.

- Placez les éléments filtrants sur la base du filtre à air.
- Remettez le couvercle et serrez les fixations (Figure 31).

Contrôle du niveau et vidange de l'huile moteur

Spécifications de l'huile moteur

Type d'huile : huile détergente (y compris synthétique) de classe de service API SJ ou mieux

Capacité du carter : 1,9 L (64 oz liq.) avec filtre à huile; 1,8 L (71 oz liq.) sans filtre à huile

Viscosité : Voir le tableau ci-dessous.

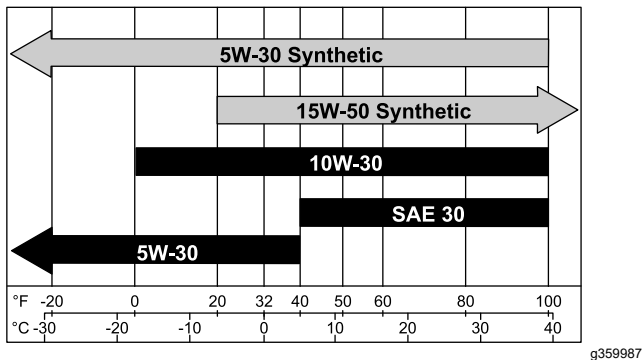


Figure 33

Contrôle du niveau d'huile moteur

Périodicité des entretiens: À chaque utilisation ou une fois par jour

Remarque: Contrôlez le niveau d'huile quand le moteur est froid.

Important: Vous risquez d'endommager le moteur si vous le faites tourner alors que le carter est trop ou pas assez rempli d'huile.

1. Garez la machine sur une surface plane et horizontale, placez la commande des lames en position désengagée et les leviers de commande de déplacement à la position STATIONNEMENT.
2. Avant de quitter la position d'utilisation, coupez le moteur, enlevez la clé et attendez l'arrêt complet de toutes les pièces mobiles.

Remarque: Laissez refroidir le moteur pour donner le temps à l'huile de s'écouler dans le carter.

3. Pour éviter de faire tomber de l'herbe, de la poussière, etc., dans le moteur, nettoyez la surface autour du bouchon de remplissage-jauge d'huile, avant de l'enlever (Figure 34).

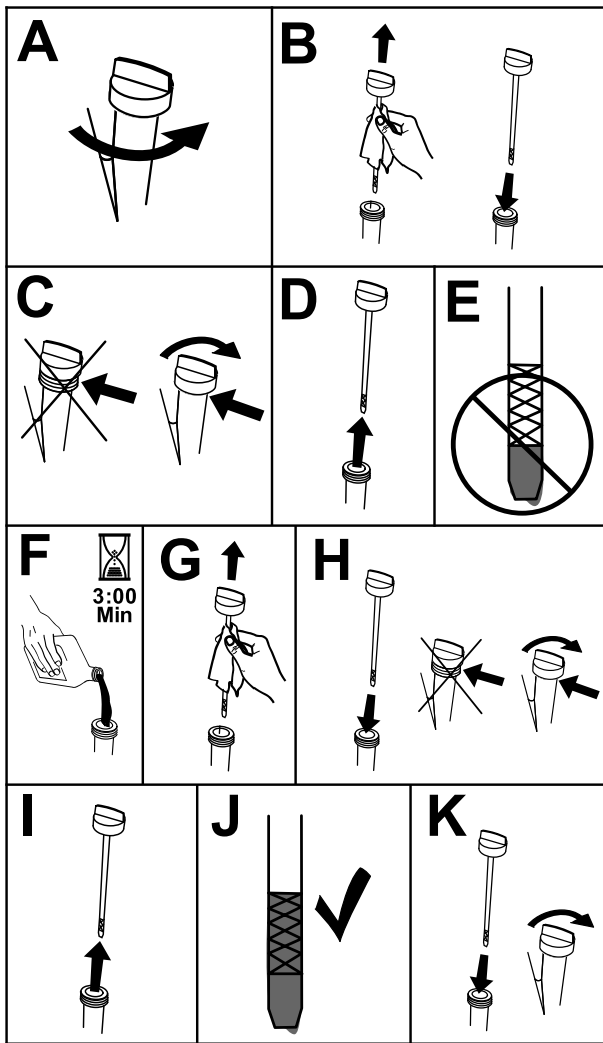


Figure 34

g373146

Vidange de l'huile moteur et remplacement du filtre à huile

Périodicité des entretiens: Toutes les 100 heures ou tous les ans, la première échéance prévalant—Remplacez l'huile moteur et le filtre à huile (plus fréquemment en cas de saleté ou poussière abondantes).

1. Garez la machine sur une surface plane et horizontale pour permettre la vidange totale de l'huile.
2. Désengagez la commande des lames et écartez les leviers de commande de déplacement vers l'extérieur à la position STATIONNEMENT.
3. Avant de quitter la position d'utilisation, coupez le moteur, enlevez la clé et attendez l'arrêt complet de toutes les pièces mobiles.
4. Vidangez l'huile moteur (Figure 35).

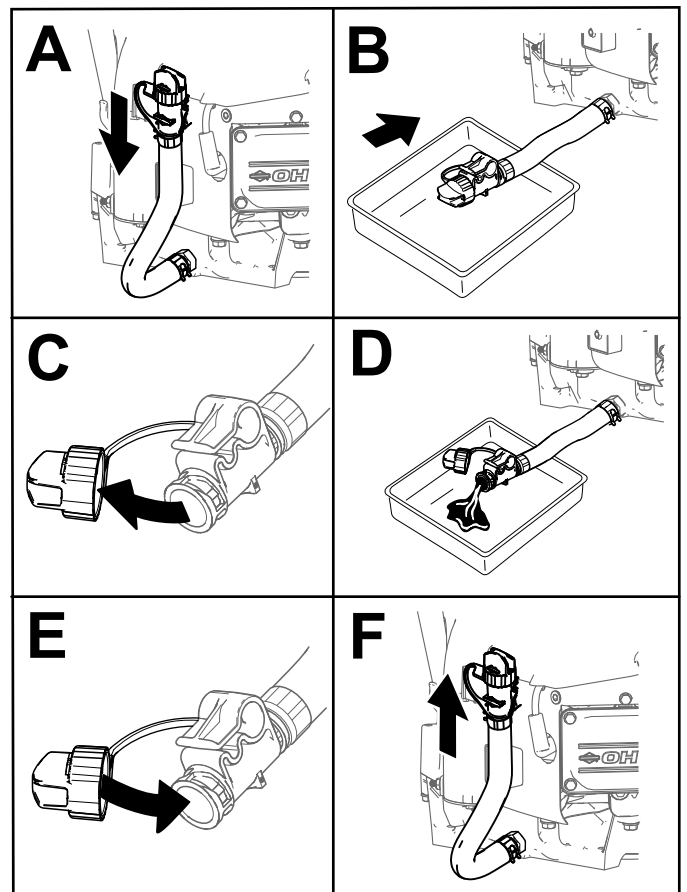


Figure 35

g399817

5. Remplacez le filtre à huile moteur (Figure 36).

Remarque: Assurez-vous que le joint du filtre à huile touche le moteur puis vissez-le encore de trois quarts de tour.

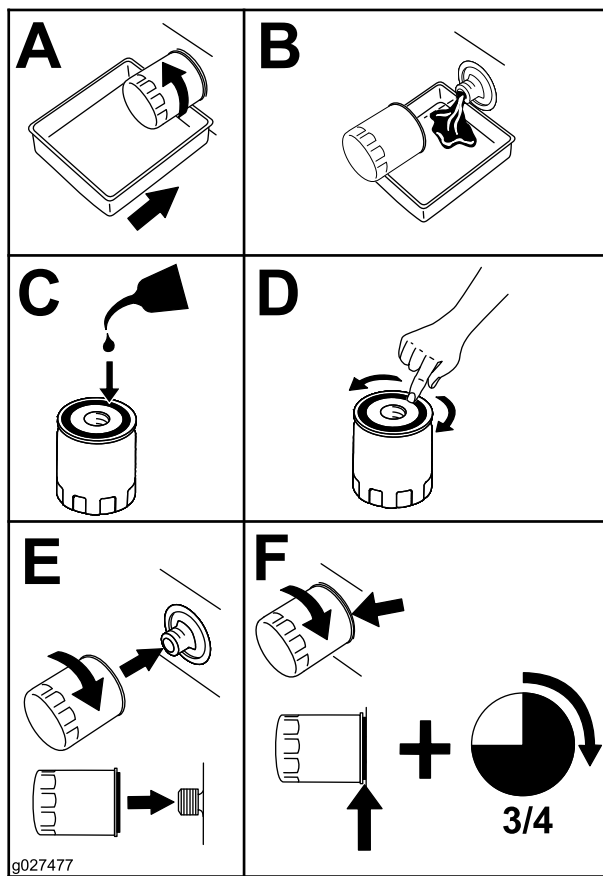


Figure 36

6. Versez lentement environ 80 % de l'huile spécifiée dans le tube de remplissage, puis faites l'appoint lentement jusqu'à ce que le niveau atteigne le repère maximum (Full) (Figure 37).

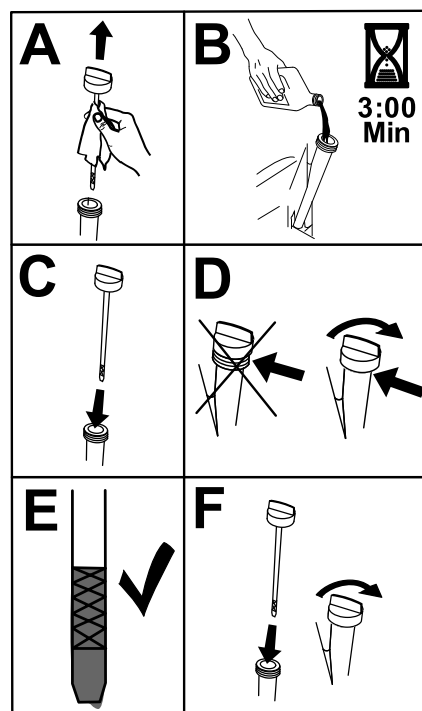


Figure 37

g373565

7. Débarrassez-vous de l'huile usagée dans un centre de recyclage.

Entretien de la bougie

Périodicité des entretiens: Une fois par an—Remplacez la ou les bougies.

Avant de monter une bougie, vérifiez si l'écartement entre l'électrode centrale et l'électrode latérale est correct. Utilisez une clé à bougies pour déposer et reposer les bougies, et une jauge d'épaisseur pour contrôler et régler l'écartement des électrodes. Remplacez la bougie au besoin.

Type : Champion® XC92YC

Écartement des électrodes : 0,76 mm (0,03 po)

Dépose de la bougie

1. Garez la machine sur une surface plane et horizontale, placez la commande des lames en position désengagée et les leviers de commande de déplacement à la position STATIONNEMENT.
2. Avant de quitter la position d'utilisation, coupez le moteur, enlevez la clé et attendez l'arrêt complet de toutes les pièces mobiles. Laissez refroidir le moteur.
3. Nettoyez la surface autour de la base de la bougie pour empêcher la poussière et les débris de pénétrer dans le moteur.
4. Déposez la bougie (Figure 38).

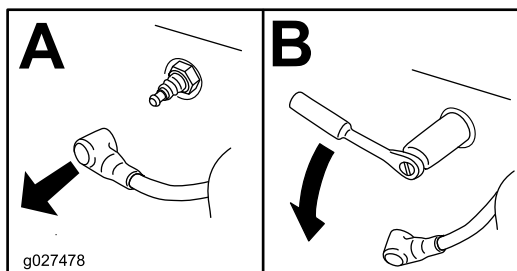


Figure 38

Pose de la bougie

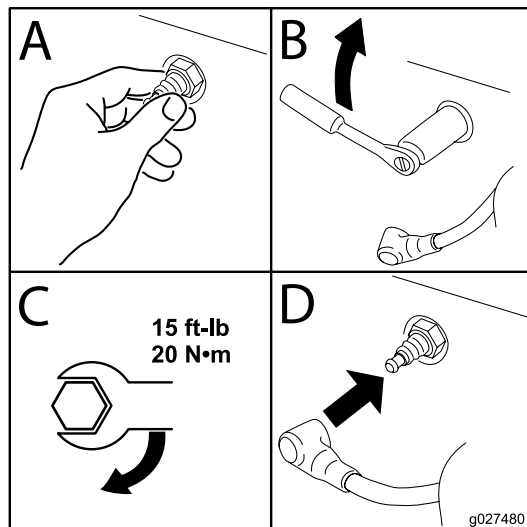


Figure 40

Contrôle de la bougie

Important: Ne nettoyez pas la ou les bougies. Remplacez toujours les bougies si elles sont recouvertes d'un dépôt noir ou d'une couche grasse, si elles sont fissurées ou si les électrodes sont usées.

Si l'isolateur est recouvert d'un léger dépôt gris ou brun, le moteur fonctionne correctement. S'il est recouvert d'un dépôt noir, cela signifie généralement que le filtre à air est encrassé.

Régalez l'écartement des électrodes à 0,75 mm (0,03 po).

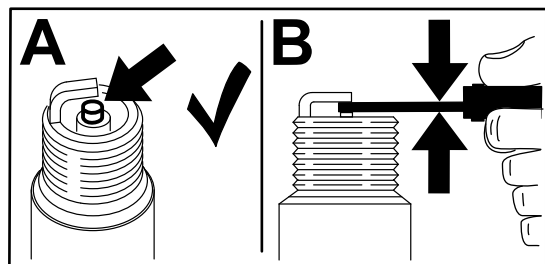


Figure 39

Nettoyage du circuit de refroidissement

1. Garez la machine sur une surface plane et horizontale, placez la commande des lames en position désengagée et les leviers de commande de déplacement à la position STATIONNEMENT.
2. Avant de quitter la position d'utilisation, coupez le moteur, enlevez la clé et attendez l'arrêt complet de toutes les pièces mobiles.
3. Déposez le filtre à air du moteur.
4. Déposez le carénage du moteur.
5. Montez le filtre à air sur sa base pour éviter que des débris ne pénètrent dans la prise d'air.
6. Débarrassez-les de l'herbe et des débris accumulés.
7. Déposez le filtre à air et montez le carénage du moteur.
8. Mettez le filtre à air en place.

Entretien du système d'alimentation

▲ DANGER

Dans certaines circonstances, le carburant est extrêmement inflammable et hautement explosif. Un incendie ou une explosion causé(e) par du carburant peut vous brûler, ainsi que toute personne à proximité, et causer des dommages matériels.

Vous trouverez une liste complète des consignes de sécurité liées au carburant sous [Consignes de sécurité pour le carburant \(page 13\)](#).

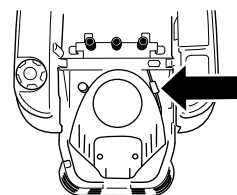
Remplacement du filtre à carburant en ligne

Périodicité des entretiens: Une fois par an—Remplacez le filtre à carburant en ligne.

Ne remontez jamais un filtre encrassé après l'avoir enlevé de la conduite de carburant.

1. Garez la machine sur une surface plane et horizontale, placez la commande des lames en position désengagée et les leviers de commande de déplacement à la position STATIONNEMENT.
2. Avant de quitter la position d'utilisation, coupez le moteur, enlevez la clé et attendez l'arrêt complet de toutes les pièces mobiles. Laissez refroidir le moteur.
3. Remplacez le filtre à carburant ([Figure 41](#)).

Remarque: Vérifiez que la flèche indiquant le sens d'écoulement est dirigée vers le moteur.



g400218

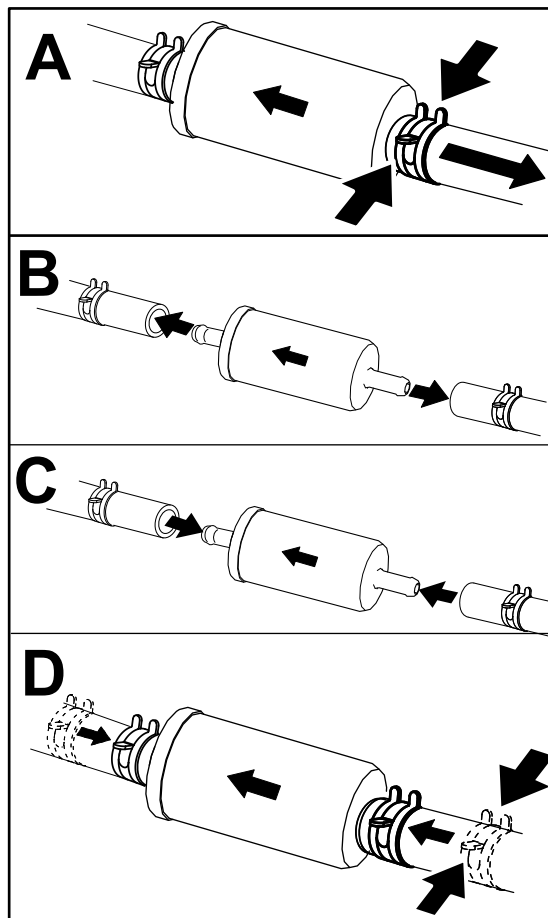


Figure 41

g400217

Entretien du système électrique

Consignes de sécurité pour le système électrique

- Débranchez le câble de la borne négative de la batterie avant de réparer la machine.
- Chargez la batterie dans un endroit dégagé et bien aéré, à l'écart des flammes ou sources d'étincelles. Débranchez le chargeur avant de brancher ou de débrancher la batterie. Portez des vêtements de protection et utilisez des outils isolés.

Entretien de la batterie

Retrait de la batterie

⚠ ATTENTION

Les bornes de la batterie ou les outils en métal peuvent causer des courts-circuits au contact des pièces métalliques de la machine et produire des étincelles. Les étincelles peuvent provoquer l'explosion des gaz de la batterie et vous blesser.

- Lors du retrait ou de la mise en place de la batterie, évitez que les bornes touchent les parties métalliques de la machine.
- Évitez de créer des courts-circuits entre les bornes de la batterie et les parties métalliques de la machine avec des outils en métal.

1. Garez la machine sur une surface plane et horizontale, placez la commande des lames en position désengagée et les leviers de commande de déplacement à la position STATIONNEMENT.
2. Avant de quitter la position d'utilisation, coupez le moteur, enlevez la clé et attendez l'arrêt complet de toutes les pièces mobiles.
3. Soulevez le siège pour accéder à la batterie.
4. Débranchez le câble négatif (noir) de mise à la masse de la borne de la batterie (Figure 42).

Remarque: Conservez toutes les fixations.

⚠ ATTENTION

Si les câbles de la batterie ne sont pas débranchés correctement, la machine et les câbles peuvent être endommagés et produire des étincelles. Les étincelles peuvent provoquer l'explosion des gaz de la batterie et vous blesser.

- **Débranchez toujours le câble négatif (noir) de la batterie avant le câble positif (rouge).**
- **Connectez toujours le câble positif (rouge) de la batterie avant le câble négatif (noir).**

5. Repoussez le capuchon en caoutchouc pour l'ôter du câble positif (rouge).
6. Débranchez le câble positif (rouge) de la borne de la batterie (Figure 42).

Remarque: Conservez toutes les fixations.

7. Déposez la barrette de maintien de la batterie (Figure 42) et soulevez la batterie de son support.

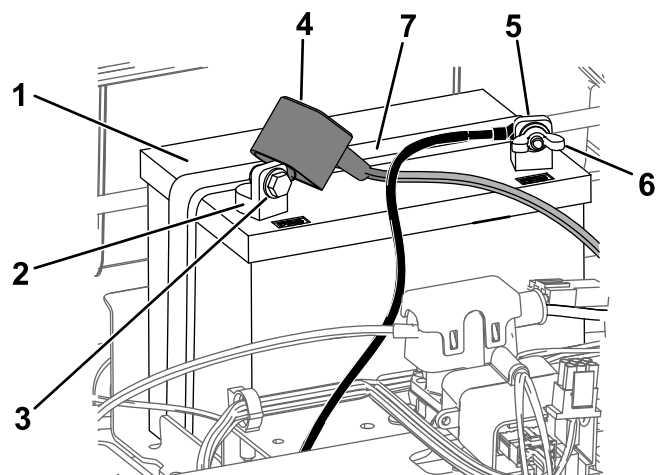


Figure 42

- | | |
|--------------------------------------|---|
| 1. Batterie | 5. Borne négative (-) de la batterie |
| 2. Borne positive (+) de la batterie | 6. Écrou à oreilles, rondelle et boulon |
| 3. Boulon, rondelle et écrou | 7. Barrette de maintien de la batterie |
| 4. Capuchon de borne | |

Charge de la batterie

Périodicité des entretiens: Avant le remisage—Chargez la batterie et débranchez les câbles.

1. Déposez la batterie du châssis ; voir [Retrait de la batterie \(page 40\)](#).
2. Chargez la batterie au régime de 6 à 10 ampères pendant un minimum de 1 heure.

Remarque: Ne chargez pas la batterie excessivement.

3. Quand la batterie est chargée au maximum, débranchez le chargeur de la prise, puis débranchez les fils du chargeur des bornes de la batterie ([Figure 43](#)).

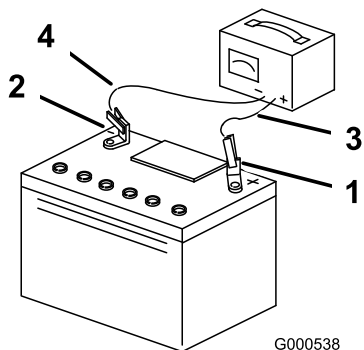


Figure 43

- | | |
|--------------------------------------|------------------------------|
| 1. Borne positive (+) de la batterie | 3. Fil rouge (+) du chargeur |
| 2. Borne négative (-) de la batterie | 4. Fil noir (-) du chargeur |

Mise en place de la batterie

1. Placez la batterie dans son support ([Figure 42](#)).
2. Reliez le câble positif (rouge) de la batterie à la borne positive (+) au moyen des fixations retirées précédemment.
3. Reliez le câble négatif de la batterie à la borne négative (-) au moyen des fixations retirées précédemment.
4. Placez le capuchon rouge sur la borne positive (rouge) de la batterie.
5. Fixez la batterie en place à l'aide de la barrette de maintien ([Figure 42](#)).
6. Abaissez le siège.

Entretien des fusibles

Le système électrique est protégé par des fusibles. Il ne nécessite donc aucun entretien. Toutefois, si un fusible grille, vérifiez l'état de la pièce ou du circuit et assurez-vous qu'il n'y a pas de court-circuit.

Type de fusible :

- Principal – F1 (25 A, à lame)
 - Circuit de charge – F2 (15 A, à lame)
1. Garez la machine sur une surface plane et horizontale, placez la commande des lames en position désengagée et les leviers de commande de déplacement à la position STATIONNEMENT.
 2. Avant de quitter la position d'utilisation, coupez le moteur, enlevez la clé et attendez l'arrêt complet de toutes les pièces mobiles.
 3. Soulevez le siège pour accéder aux fusibles.
 4. Pour remplacer un fusible, tirez dessus pour l'enlever ([Figure 44](#)).

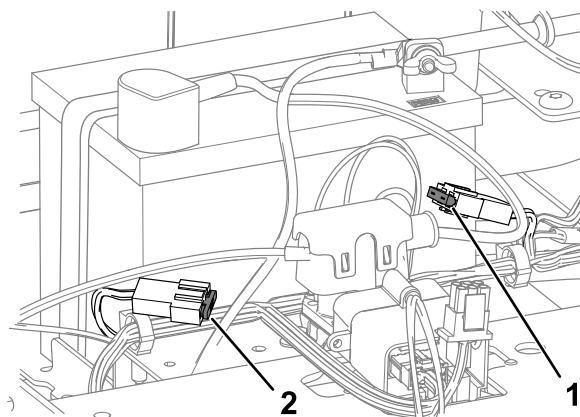


Figure 44

- | | |
|-----------------------------|---------------------|
| 1. Circuit de charge (15 A) | 2. Principal (25 A) |
|-----------------------------|---------------------|

5. Abaissez le siège.

Entretien du système d'entraînement

Contrôle de la pression des pneus

Périodicité des entretiens: Toutes les 25 heures—Contrôlez la pression des pneus.

Maintenez les pneus avant et arrière gonflés à la pression spécifiée. Les pneus mal gonflés peuvent compromettre la qualité et l'uniformité de la coupe. Vérifiez la pression à la valve (Figure 45). Contrôlez la pression lorsque les pneus sont froids pour obtenir un résultat plus précis.

Gonflez les pneus des roues pivotantes à 2,06 bar (30 psi) ou à la pression indiquée sur le flanc, selon la valeur la plus basse.

Gonflez les pneus des roues motrices arrière à 0,9 bar (13 psi).

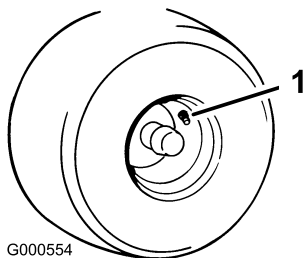


Figure 45

1. Valve

Desserrage du frein électrique

Vous pouvez desserrer manuellement le frein électrique en tournant les bras de liaison en avant. Le frein électrique se réarme quand il est sous tension.

1. Tournez la clé à la position ARRÊT et retirez-la.
2. Débranchez la batterie.
3. Localisez l'arbre sur le frein électrique au point de connexion des bras de liaison (Figure 46).
4. Tournez l'arbre pour desserrer le frein (Figure 46).
5. Branchez la batterie avant de déplacer la machine.

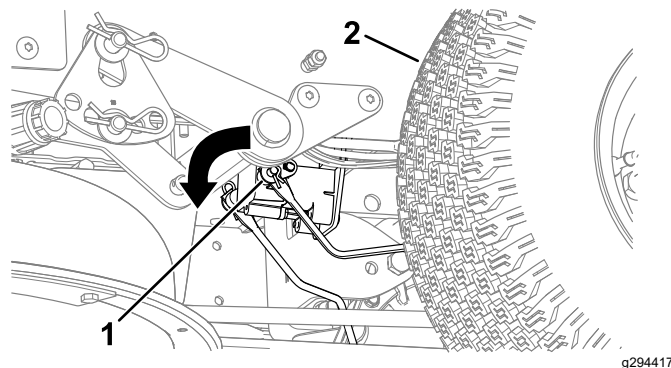


Figure 46

1. Bras de liaison de frein sur module de commande de frein électrique
2. Pneu arrière gauche

Réglage du parallélisme des roues

Corrigez le parallélisme des roues si la machine tire d'un côté quand roulez en marche avant à la vitesse maximale sur une surface plane et horizontale.

Si la machine tire à gauche, ajustez le levier de commande de déplacement droit, et inversement, si elle tire à droite, ajustez le levier gauche.

Remarque: Vous ne pouvez régler le parallélisme des roues que pour la marche avant.

1. Garez la machine sur une surface plane et horizontale, placez la commande des lames en position désengagée et les leviers de commande de déplacement à la position STATIONNEMENT.
2. Avant de quitter la position d'utilisation, coupez le moteur, enlevez la clé et attendez l'arrêt complet de toutes les pièces mobiles.
3. Localisez le boulon de réglage de la dérive près du levier de commande de déplacement du côté qui nécessite le réglage (Figure 47).

Remarque: Soulevez le siège pour faciliter l'accès au boulon de réglage.

4. Tournez le boulon pour réduire la vitesse de cette roue.

Remarque: Tournez légèrement le boulon pour effectuer de petits réglages.

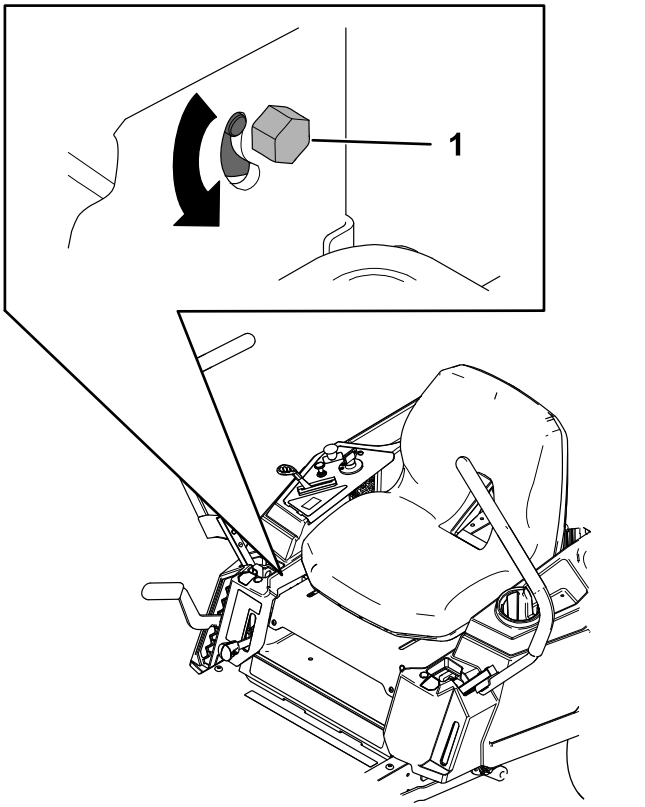


Figure 47

g294926

1. Boulon

5. Démarrez la machine et conduisez-la en marche avant sur une surface plane et horizontale, en poussant les leviers de commande de déplacement complètement en avant pour vérifier si la machine avance en ligne droite. Répétez la procédure si nécessaire.

Entretien des courroies

Contrôle des courroies

Périodicité des entretiens: Toutes les 25 heures—Contrôlez l'état des courroies (usure/fissures).

Remplacez la courroie si elle est usée. La courroie peut montrer les signes d'usure suivants : grincement pendant la rotation, glissement des lames pendant la coupe, bords effilochés, traces de brûlures et fissures.

Remplacement de la courroie du tablier de coupe

La courroie peut montrer les signes d'usure suivants : grincement pendant la rotation, glissement des lames pendant la coupe, bords effilochés, traces de brûlures et fissures. Remplacez la courroie quand elle présente ce genre de problèmes.

1. Garez la machine sur une surface plane et horizontale, placez la commande des lames en position désengagée et les leviers de commande de déplacement à la position STATIONNEMENT.
2. Avant de quitter la position d'utilisation, coupez le moteur, enlevez la clé et attendez l'arrêt complet de toutes les pièces mobiles.
3. Réglez la hauteur de coupe à la position la plus basse (38 mm [1½ po]).
4. Retirez la goupille fendue et appuyez sur la languette des couvercles pour déposer les couvercles des poulies (Figure 48).

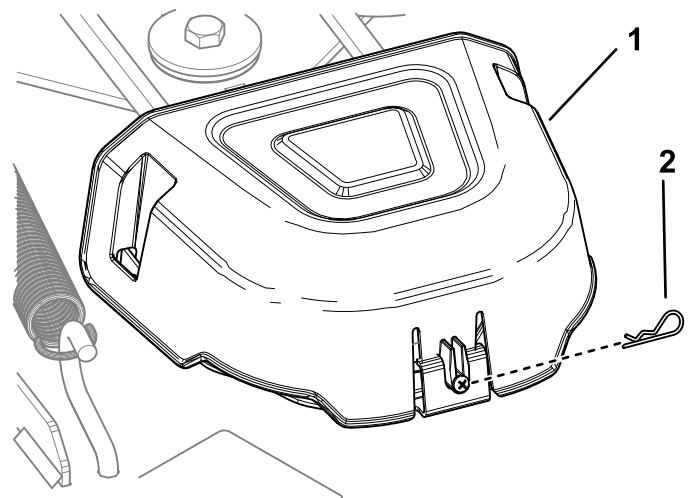


Figure 48

g332328

1. Couvercle
2. Goupille fendue

- À l'aide d'un outil de dépose de ressort (réf. Toro 92-5771), décrochez le ressort du crochet sur le tablier pour détendre la poulie de tension et déchaussez la courroie des poulies (Figure 49).

⚠ ATTENTION

Le ressort est tendu quand il est en place et peut causer des blessures en se détendant.

Enlevez la courroie avec précaution.

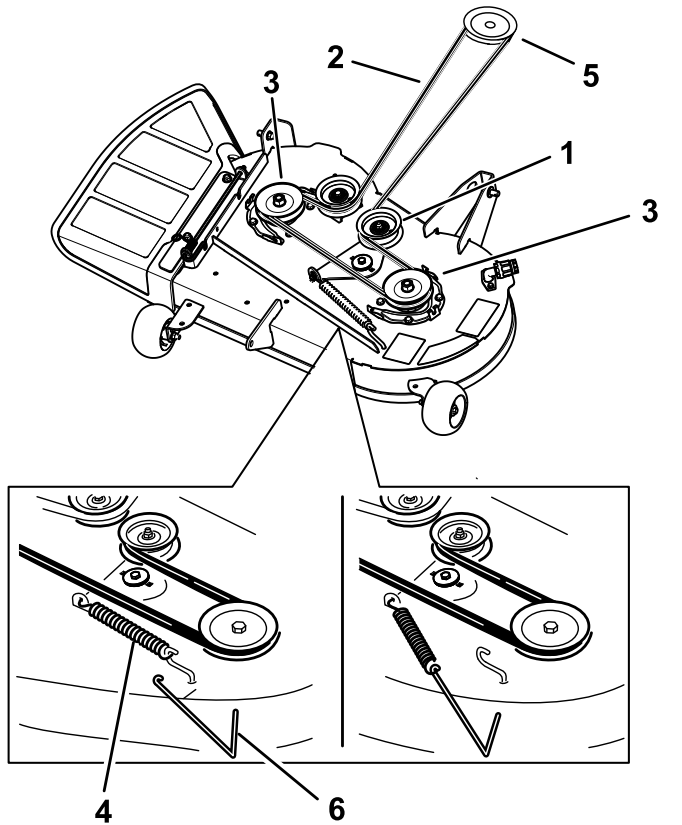


Figure 49

g331295

- | | |
|---------------------------------|-------------------------------|
| 1. Poulie de tension | 4. Ressort |
| 2. Courroie du tablier de coupe | 5. Poulie de moteur |
| 3. Poulie extérieure | 6. Outil de dépose de ressort |

- Acheminez la courroie neuve autour de la poulie du moteur et des poulies du tablier de coupe (Figure 49).
- À l'aide d'un outil de dépose de ressort (réf. Toro 92-5771), accrochez le ressort au crochet situé sur le tablier, afin d'exercer une tension sur la poulie de tension et la courroie du tablier de coupe (Figure 49).
- Reposez les protège-poulies.

Entretien de la tondeuse

Consignes de sécurité pour les lames

- Vérifiez l'état et l'usure des lames périodiquement.
- Examinez les lames avec prudence. Manipulez toujours les lames avec des gants ou en les enveloppant dans un chiffon, et toujours avec prudence. Limitez-vous à remplacer ou aiguiser les lames; n'essayez jamais de les redresser ou de les souder.
- Attention, sur les machines à plusieurs lames, la rotation d'une lame peut entraîner le déplacement des autres lames.
- Remplacez les boulons et les lames usés ou endommagés par paires pour ne pas modifier l'équilibre.

Entretien des lames

Pour un bon résultat, les lames doivent toujours être bien aiguisées. Il est utile de prévoir des lames de rechange pour le remplacement et le réaffûtage.

Avant le contrôle ou l'entretien des lames

- Garez la machine sur une surface plane et horizontale, placez la commande des lames en position désengagée et les leviers de commande de déplacement à la position STATIONNEMENT.
- Coupez le moteur, enlevez la clé et débranchez le fil de chaque bougie.

Contrôle des lames

Périodicité des entretiens: À chaque utilisation ou une fois par jour

- Examinez le tranchant des lames (Figure 50).
- Si les lames sont émoussées ou présentent des indentations, déposez-les et aiguisiez-les; voir [Aiguisage des lames \(page 46\)](#).
- Inspectez les lames, et plus particulièrement l'ailette.
- Remplacez immédiatement toute lame fendue, usée ou qui présente une entaille sur cette partie (Figure 50).

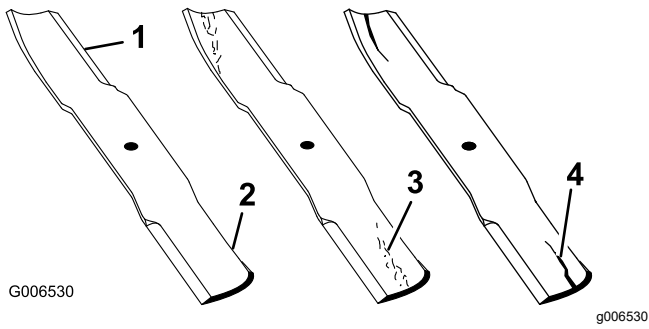


Figure 50

- | | |
|--------------|-----------------------------------|
| 1. Tranchant | 3. Usure/formation d'une entaille |
| 2. Ailette | 4. Fissure |

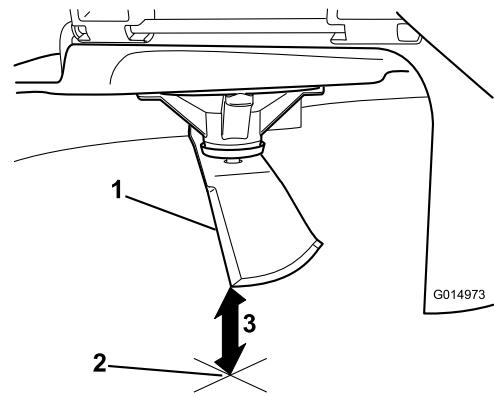


Figure 52

1. Lame (positionnée pour la mesure)
2. Surface plane et horizontale
3. Mesurez la distance entre la lame et la surface (A)

Détection des lames faussées

Remarque: Placez la machine sur une surface plane horizontale pour effectuer la procédure suivante.

1. Élevez le tablier de coupe à la position de hauteur de coupe la plus élevée.
2. Enfilez des gants épais ou utilisez une autre protection adéquate pour les mains, et faites tourner la lame lentement jusqu'à une position permettant de mesurer la distance entre le tranchant et la surface plane sur laquelle se trouve la machine (Figure 51).

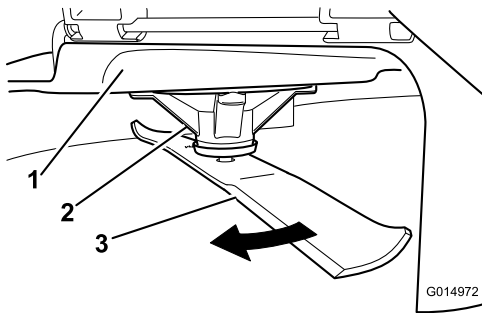


Figure 51

- | | |
|----------------------|---------|
| 1. Tablier | 3. Lame |
| 2. Logement de l'axe | |

3. Mesurez la distance entre la pointe de la lame et la surface plane (Figure 52).

4. Tournez la même lame de 180 degrés pour amener l'autre tranchant à la même position (Figure 53).

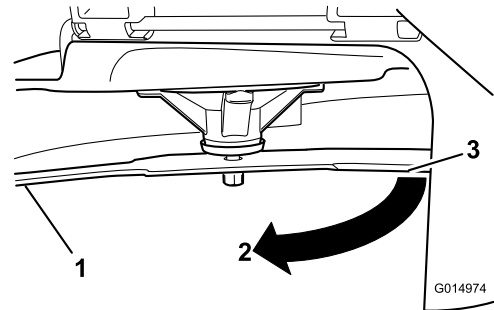


Figure 53

- | |
|---|
| 1. Lame (côté déjà mesuré) |
| 2. Mesure (position utilisée précédemment) |
| 3. Côté opposé de la lame déplacé en position de mesure |

5. Mesurez la distance entre la pointe de la lame et la surface plane (Figure 54).

Remarque: La différence entre les deux mesures ne doit pas excéder 3 mm (1/8 po).

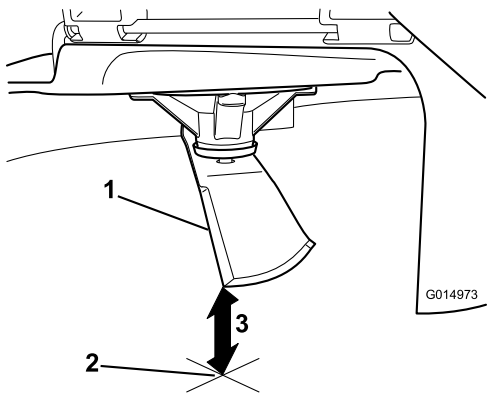


Figure 54

1. Côté opposé de la lame (positionné pour la mesure)
2. Surface plane et horizontale
3. Seconde distance mesurée entre la lame et la surface (B)

G014973

Aiguisage des lames

1. Au moyen d'une lime, aiguisiez les tranchants aux deux extrémités de la lame (Figure 56).

Remarque: Veillez à conserver l'angle de coupe d'origine.

Remarque: Limez la même quantité de métal sur chacun des deux tranchants pour ne pas déséquilibrer la lame.

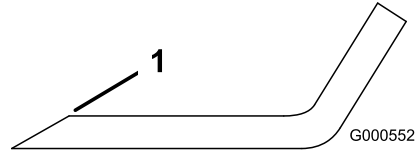


Figure 56

1. Aiguiser en conservant l'angle d'origine

G000552

- A. Si la différence entre A et B est supérieure à 3 mm ($\frac{1}{8}$ po), remplacez la lame par une neuve; voir [Dépose des lames](#) (page 46) et [Pose des lames](#) (page 46).

Remarque: Si, après avoir remplacé une lame faussée par une neuve, la différence est toujours supérieure à 3 mm ($\frac{1}{8}$ po), l'axe de la lame est peut-être faussé. Contactez un dépositaire Toro agréé pour faire réviser la machine.

- B. Si la différence reste dans les limites tolérées, passez à la lame suivante.

6. Répétez cette procédure pour chaque lame.

2. Vérifiez l'équilibre de la lame en la plaçant sur un équilibreur (Figure 57).

Remarque: Si la lame reste horizontale, elle est équilibrée et peut être utilisée.

Remarque: Si la lame est déséquilibrée, limez un peu l'extrémité de l'ailette seulement (Figure 56).

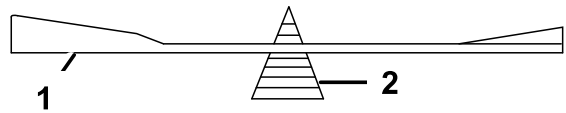


Figure 57

1. Lame
2. Équilibreur

G000553

G000553

3. Répétez cette procédure jusqu'à ce que la lame soit équilibrée.

Dépose des lames

Remplacez les lames si elles heurtent un obstacle, ou si elles sont déséquilibrées ou faussées.

1. Tenez la lame par son extrémité avec un chiffon ou un gant épais.
2. Retirez la lame de l'axe.

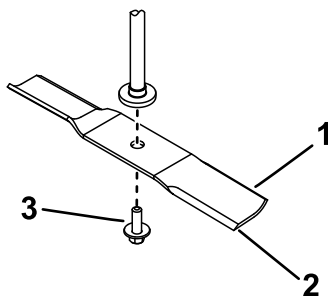


Figure 55

1. Ailette de la lame
2. Lame
3. Boulon de lame

G462553

Pose des lames

1. Placez la lame sur l'axe.

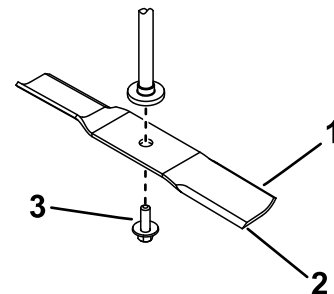


Figure 58

1. Ailette de la lame
2. Lame
3. Boulon de lame

G462553

2. Serrez le boulon de la lame à un couple de 81 à 108 N·m (60 à 80 pi-lb).

Mise à niveau du tablier de coupe

Vérifiez que le tablier de coupe est de niveau chaque fois que vous l'installez ou si la tonte de la pelouse semble irrégulière.

Vérifiez si des lames sont faussées avant de mettre le tablier de coupe de niveau. Déposez et remplacez les lames faussées ; voir [Entretien des lames \(page 44\)](#) avant de continuer.

Mettez le tablier de coupe de niveau transversalement avant de le faire longitudinalement.

Assurez-vous que :

- La machine est placée sur une surface plane et horizontale.
- Les pneus sont gonflés à la pression correcte ; voir [Contrôle de la pression des pneus \(page 42\)](#).

Contrôle de l'horizontalité transversale

1. Garez la machine sur une surface plane et horizontale, désengagez la commande des lames (PDF) et écartez les leviers de commande de déplacement vers l'extérieur en position de STATIONNEMENT .
2. Avant de quitter la position d'utilisation, coupez le moteur, enlevez la clé et attendez l'arrêt complet de toutes les pièces mobiles.
3. Réglez la hauteur de coupe à 76 mm (3 po).
4. Tournez prudemment les lames pour qu'elles soient parallèles dans le sens transversal.
5. Mesurez la distance entre les tranchants extérieurs et le sol plat ([Figure 59](#)).

Remarque: Si les deux mesures diffèrent de plus de 5 mm (3/16 po), un réglage s'impose ; voir [Réglage de l'horizontalité transversale \(page 48\)](#).

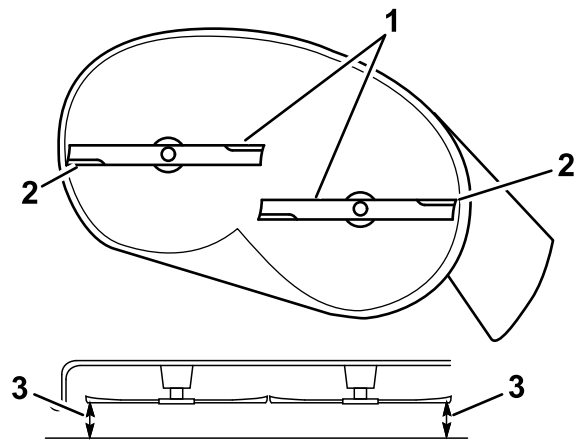


Figure 59

g294044

1. Lames parallèles entre elles
2. Tranchants extérieurs
3. Mesurer la distance entre la pointe de la lame et la surface plane ici

Contrôle de l'inclinaison avant/arrière des lames

Contrôlez l'inclinaison avant/arrière des lames chaque fois que vous montez le tablier de coupe. Si l'avant du tablier est plus de 7,9 mm (5/16 po) plus bas que l'arrière, réglez l'inclinaison des lames.

1. Garez la machine sur une surface plane et horizontale, désengagez la commande des lames (PDF) et écartez les leviers de commande de déplacement vers l'extérieur en position de STATIONNEMENT .
2. Avant de quitter la position d'utilisation, coupez le moteur, enlevez la clé et attendez l'arrêt complet de toutes les pièces mobiles.
3. Réglez la hauteur de coupe à 76 mm (3 po).
4. Faites pivoter les lames avec précaution pour faire passer les pointes avant à l'arrière ([Figure 60](#)).
5. Mesurez la distance entre la pointe de la lame avant et la pointe de la lame arrière par rapport à la surface plane ([Figure 60](#)).

Remarque: Si la pointe de la lame avant n'est pas de 1,5 à 8 mm (1/16 à 5/16 po) plus basse que la pointe de la lame arrière, passez à la procédure [Contrôle de l'inclinaison avant/arrière des lames \(page 47\)](#).

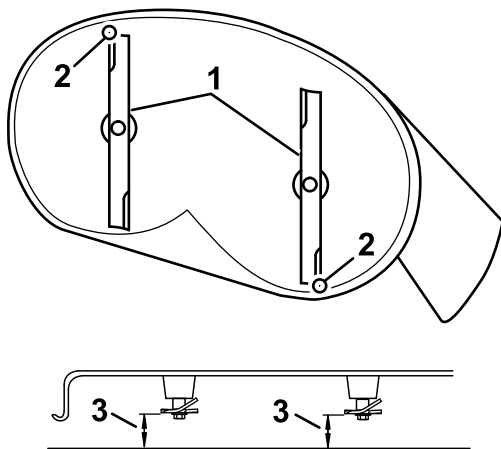


Figure 60

g294046

1. Lames dans le sens longitudinal
2. Tranchants extérieurs
3. Mesurer la distance entre la pointe de la lame et la surface plane ici

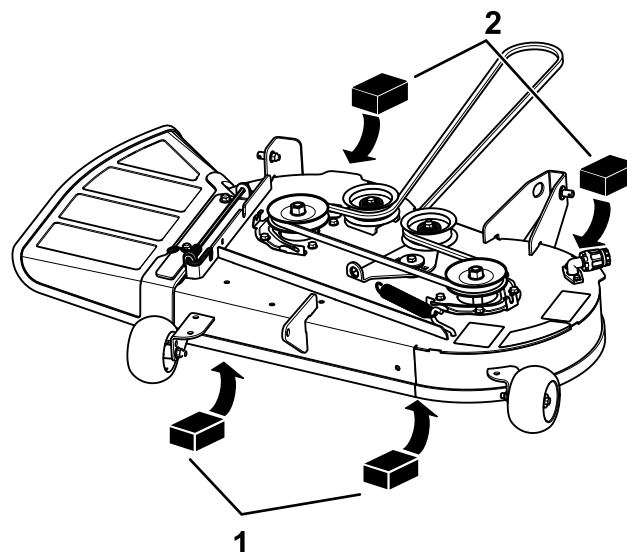


Figure 61

g331321

1. Cale en bois de 6,6 cm (2 $\frac{5}{8}$ po) d'épaisseur
2. Cale en bois de 7,3 cm (2 $\frac{7}{8}$ po) d'épaisseur

Réglage de l'horizontalité transversale

1. Passez au côté gauche de la machine.
2. Placez les galets anti-scalp dans les trous supérieurs ou enlevez-les complètement pour effectuer cette procédure ; voir [Réglage des galets anti-scalp \(page 26\)](#).
3. Réglez le levier de hauteur de coupe à la position 76 mm (3 po) ; voir [Réglage de la hauteur de coupe \(page 25\)](#).
4. Placez deux cales de 6,6 cm (2 $\frac{5}{8}$ po) d'épaisseur chacune sous chaque côté du bord avant du tablier de coupe, mais pas sous les supports des galets anti-scalp (Figure 61).
5. Placez deux cales de 7,3 cm (2 $\frac{7}{8}$ po) d'épaisseur chacune sous le bord arrière de la jupe du tablier de coupe, une de chaque côté (Figure 61).

6. Retirez la goupille fendue et la rondelle de l'axe inférieur du bras de levage (Figure 62).

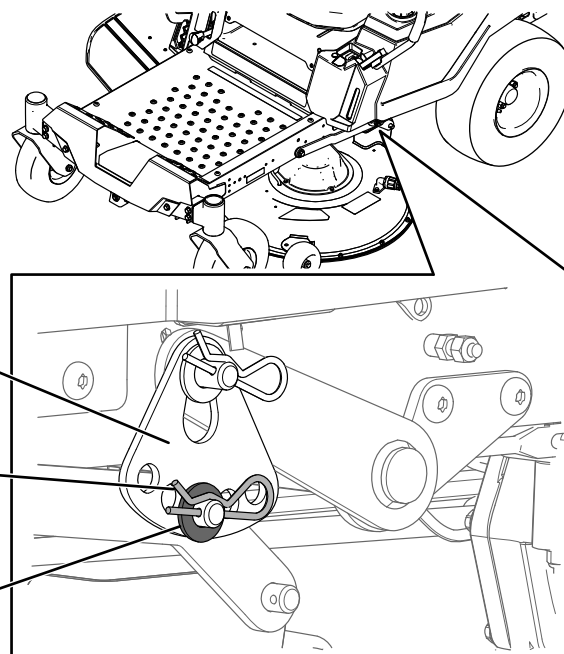


Figure 62

g294197

1. Plaque de hauteur de coupe
2. Goupille fendue
3. Rondelle

7. Tournez la plaque de hauteur de coupe à un trou différent pour que le poids du tablier de coupe soit soutenu après l'installation de la plaque (Figure 63).

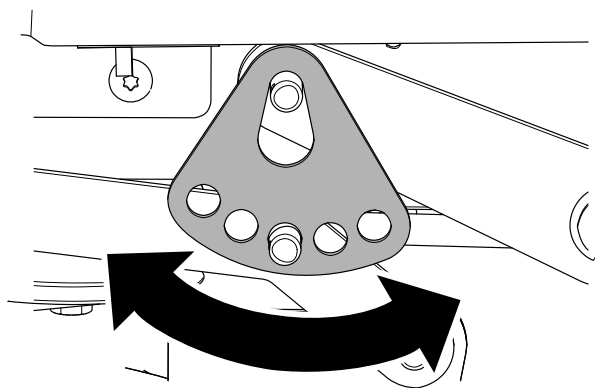


Figure 63

g294195

8. Installez la rondelle et la goupille fendue (Figure 63).
9. Répétez les opérations 6 à 8 pour l'autre côté de la machine.
10. Vérifiez de nouveau le réglage transversal ; répétez cette procédure jusqu'à ce que les mesures soient correctes.
11. Poursuivez la procédure de mise à niveau du tablier de coupe en contrôlant l'inclinaison avant/arrière des lames ; voir [Contrôle de l'inclinaison avant/arrière des lames \(page 47\)](#).

Réglage de l'inclinaison avant/arrière des lames

1. Tournez l'écrou de réglage à l'avant du tablier de coupe (Figure 64).

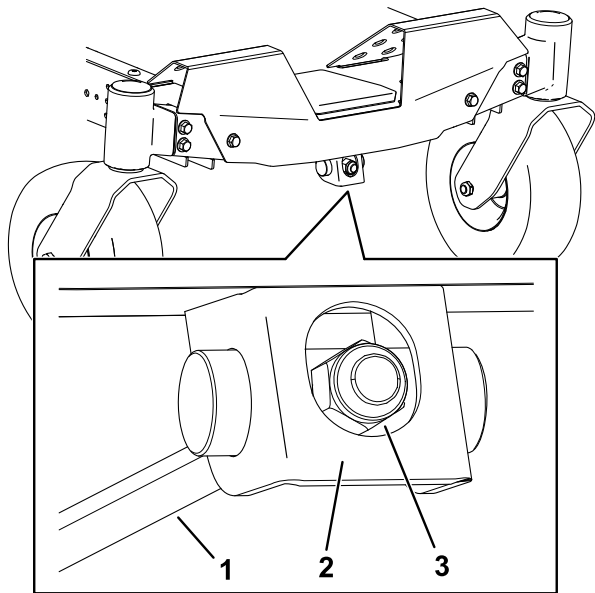


Figure 64

g294471

1. Tige de réglage
2. Bloc de réglage
3. Écrou de réglage

2. Serrez l'écrou de réglage pour élever l'avant du tablier de coupe.
3. Desserrez l'écrou de réglage pour abaisser l'avant du tablier de coupe.
4. Une fois le réglage effectué, vérifiez à nouveau l'inclinaison avant/arrière des lames ; continuez d'ajuster l'écrou jusqu'à ce que la pointe de la lame avant soit de 1,6 à 8 mm (1/16 à 5/16 po) plus bas de la pointe de la lame arrière ; voir [Contrôle de l'inclinaison avant/arrière des lames \(page 47\)](#).
5. Lorsque l'inclinaison avant/arrière est correcte, vérifiez à nouveau l'horizontalité transversale du tablier de coupe ; voir [Contrôle de l'horizontalité transversale \(page 47\)](#).

Retrait du tablier de coupe

1. Garez la machine sur une surface plane et horizontale, désengagez la commande des lames (PDF) et écartez les leviers de commande de déplacement vers l'extérieur en position de STATIONNEMENT.
2. Avant de quitter la position d'utilisation, coupez le moteur, enlevez la clé et attendez l'arrêt complet de toutes les pièces mobiles.
3. Abaissez le levier de hauteur de coupe à la position la plus basse.
4. Retirez la goupille fendue de la tige de support avant et déposez la tige du support de tablier (Figure 65).

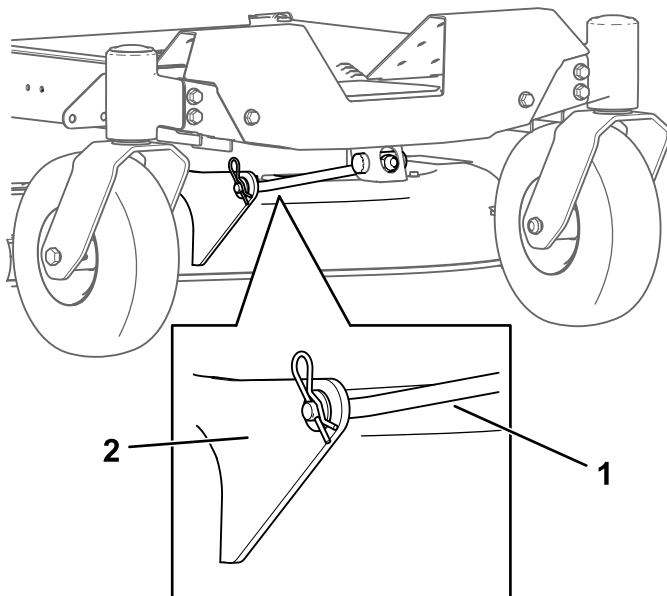


Figure 65

g366001

1. Tige de support avant
2. Support de tablier

5. Abaissez doucement l'avant du tablier de coupe au sol.

- D'un côté de la machine, retirez la rondelle et la goupille fendue de l'axe du tablier (Figure 66).

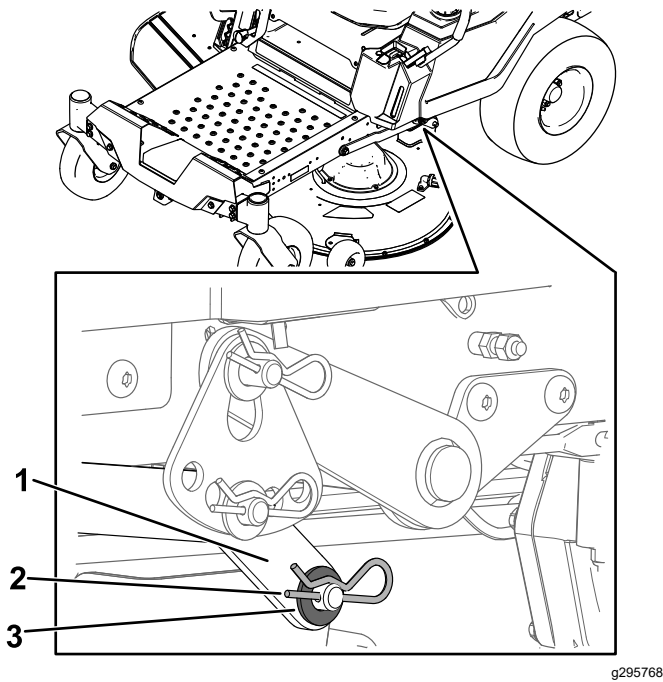


Figure 66

g295768

- | | |
|--------------------|-------------|
| 1. Bras de levage | 3. Rondelle |
| 2. Goupille fendue | |

- Déposez le bras de levage de l'axe du tablier (Figure 66).
- Répétez les opérations 6 et 7 de l'autre côté de la machine.
- Déplacez le tablier de coupe en arrière pour dégager la courroie du tablier de la poulie du moteur.
- Sortez le tablier de coupe de sous la machine.

Remarque: Conservez toutes les pièces en vue du remontage.

Montage du tablier de coupe

- Garez la machine sur une surface plane et horizontale, désengagez la commande des lames (PDF) et écartez les leviers de commande de déplacement vers l'extérieur en position de STATIONNEMENT.
- Avant de quitter la position d'utilisation, coupez le moteur, enlevez la clé et attendez l'arrêt complet de toutes les pièces mobiles.
- Glissez le tablier de coupe sous la machine.
- Abaissez le levier de hauteur de coupe à la position la plus basse.

- D'un côté de la machine, soulevez l'arrière du tablier de coupe et installez le bras de levage sur l'axe du tablier (Figure 66).
- Installez le bras de levage avec la rondelle et la goupille fendue (Figure 66).
- Répétez les opérations 5 et 6 de l'autre côté de la machine.
- Fixez la tige de support avant au tablier de coupe à l'aide de l'axe de chape et de la goupille fendue (Figure 65).
- Reposez la courroie du tablier de coupe sur la poulie du moteur ; voir Remplacement de la courroie du tablier de coupe (page 43).

Remplacement du déflecteur d'herbe

Périodicité des entretiens: À chaque utilisation ou une fois par jour—Vérifiez l'état du déflecteur d'herbe.

⚠ ATTENTION

Si l'ouverture d'éjection n'est pas fermée, la machine peut projeter des objets dans votre direction ou celle d'autres personnes et causer des blessures graves. Un contact avec la lame est également possible.

N'utilisez jamais la machine sans avoir installé un déflecteur de déchiquetage, un déflecteur d'éjection ou un système de ramassage.

Machines avec tabliers de coupe de 86 cm (34 po)

- Désengagez le ressort et sortez la tige des supports soudés du tablier, du ressort et du déflecteur d'éjection (Figure 67).

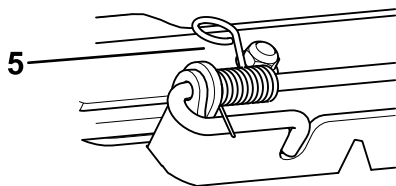
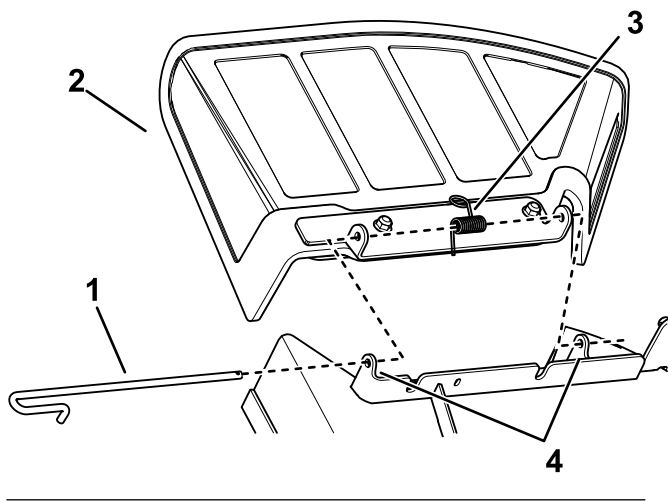


Figure 67

g332166

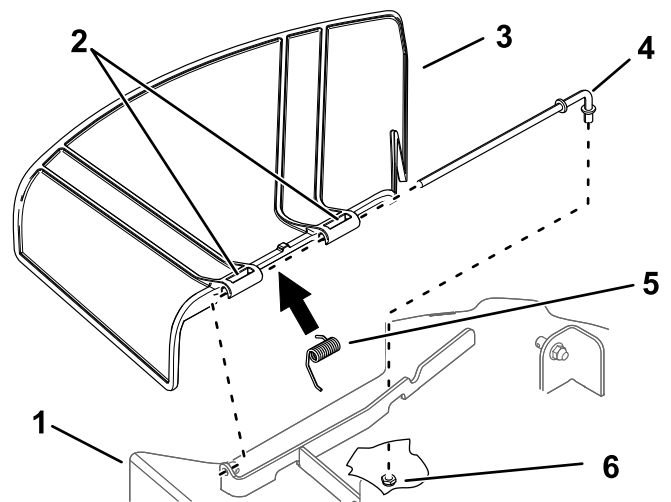
- | | |
|---------------|------------------------------|
| 1. Tige | 4. Supports du tablier |
| 2. Ressort | 5. Ressort monté sur la tige |
| 3. Déflecteur | |

- Enlevez le déflecteur s'il est endommagé ou usé.
- Positionnez le nouveau déflecteur d'éjection en plaçant les extrémités du support entre les supports soudés du tablier et installez la tige et le ressort, comme montré à la [Figure 67](#).

Remarque: Positionnez le ressort sur la tige comme montré, de sorte que l'extrémité la plus courte du ressort sorte du dessous de la tige avant le coude et passe par-dessus la tige à son retour.

- Placez l'extrémité de la tige dans l'encoche du support ([Figure 67](#)).

Important: Le déflecteur d'herbe doit être rappelé à la position abaissée par le ressort. Soulevez le déflecteur pour vérifier qu'il s'enclenche complètement en position abaissée.



g296957

Figure 68

- | | |
|--------------------------------|-------------------|
| 1. Tablier de coupe | 4. Tige |
| 2. Pivot du déflecteur d'herbe | 5. Ressort |
| 3. Déflecteur d'herbe | 6. Écrou (3/8 po) |

- Sortez la tige du support du tablier, du ressort et du déflecteur d'herbe ([Figure 68](#)).
- Déposez le déflecteur d'herbe s'il est endommagé ou usé.
- Montez le nouveau déflecteur d'herbe ([Figure 68](#)).
- Insérez l'extrémité droite de la tige dans le pivot arrière du déflecteur d'herbe.
- Placez le ressort sur la tige, les fils d'extrémité dirigés vers le bas, entre les supports du déflecteur d'herbe.
- Insérez la tige dans le second pivot du déflecteur d'herbe ([Figure 68](#)).
- Insérez la tige à l'avant du déflecteur dans le support sur le tablier.
- Fixez l'extrémité arrière de la tige dans le tablier de coupe à l'aide d'un écrou (3/8 po), comme montré à la [Figure 68](#).

Important: Le déflecteur d'herbe doit être rappelé à la position abaissée par le ressort. Soulevez le déflecteur pour vérifier qu'il s'abaisse complètement.

Machines avec tabliers de coupe de 107 cm (42 po)

- Retirez l'écrou (3/8 po) de la tige, sous le tablier de coupe ([Figure 68](#)).

Nettoyage

Lavage du dessous du tablier de coupe.

Périodicité des entretiens: Après chaque utilisation

Important: Vous pouvez laver la machine avec de l'eau et un détergent doux. N'utilisez pas de nettoyeur haute pression. N'utilisez pas une trop grande quantité d'eau, surtout près du panneau de commande, sous le siège, et à proximité du moteur, des pompes hydrauliques et des moteurs électriques.

Après chaque utilisation, lavez le dessous du tablier de coupe pour éviter l'accumulation d'herbe et améliorer le déchiquetage et la dispersion des déchets de tonte.

1. Garez la machine sur une surface plane et horizontale, désengagez la commande des lames (PDF) et écarterez les leviers de commande de déplacement vers l'extérieur en position de STATIONNEMENT.
2. Avant de quitter la position d'utilisation, coupez le moteur, enlevez la clé et attendez l'arrêt complet de toutes les pièces mobiles.
3. Branchez le raccord du tuyau d'arrosage à au raccord de lavage de la tondeuse et ouvrez l'eau en grand (Figure 69).

Remarque: Enduisez de vaseline le joint torique du raccord de lavage pour faciliter le branchement du tuyau d'arrosage sans endommager le joint torique.

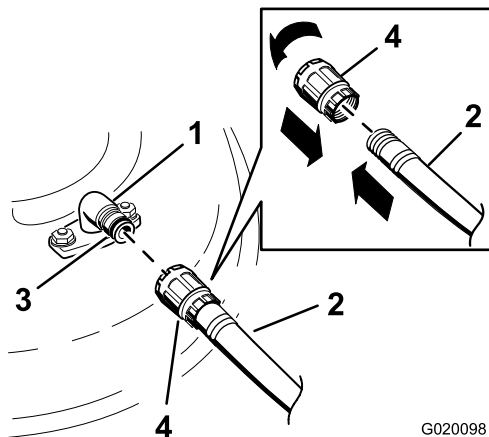


Figure 69

- | | |
|----------------------|------------------|
| 1. Raccord de lavage | 3. Joint torique |
| 2. Tuyau d'arrosage | 4. Raccord |

4. Abaissez le tablier de coupe à la hauteur la plus basse.

5. Asseyez-vous sur le siège et mettez le moteur en marche.
 6. Engagez la commande des lames et laissez tourner le moteur pendant 1 à 3 minutes.
 7. Désengagez la commande des lames, coupez le moteur, enlevez la clé et attendez l'arrêt de toutes les pièces mobiles.
 8. Coupez l'eau et débranchez le tuyau d'arrosage du raccord de lavage.
- Remarque:** Si le tablier est encore sale après un premier lavage, laissez-le tremper 30 minutes. Recommencez ensuite la procédure.
9. Remettez la tondeuse en marche durant 1 à 3 minutes pour évacuer l'excès d'eau.

▲ ATTENTION

Si le raccord de lavage est cassé ou manquant, l'utilisateur et toute personne à proximité peuvent être blessés par la projection d'objets ou par un contact avec la lame. Des débris projetés ou un contact avec une lame peuvent occasionner des blessures graves ou mortelles.

- Si le raccord de lavage est cassé ou manquant, n'utilisez pas la machine avant de l'avoir remplacé.
- Ne mettez jamais les mains ou les pieds sous le tablier de coupe ni dans les ouvertures de la machine.

Élimination des déchets

L'huile moteur, les batteries, le liquide hydraulique et le liquide de refroidissement sont polluants pour l'environnement. Débarrassez-vous en conformément à la réglementation nationale et locale en matière d'environnement.

Remisage

Consignes de sécurité concernant le remisage

- Avant de quitter la position d'utilisation, coupez le moteur, enlevez la clé et attendez l'arrêt complet de toutes les pièces mobiles. Laissez refroidir la machine avant de la régler, la nettoyer, la remettre ou la réparer.
- Ne remisez pas la machine ou le carburant près d'une flamme et ne vidangez pas le carburant à l'intérieur d'un local ou d'une remorque fermée.
- Ne remisez pas la machine ni les bidons de carburant à proximité d'une flamme nue, d'une source d'étincelles ou d'une veilleuse, telle celle d'un chauffe-eau ou d'autres appareils.

Nettoyage et remisage

1. Garez la machine sur une surface plane et horizontale, désengagez la commande des lames (PDF) et écartez les leviers de commande de déplacement vers l'extérieur en position de STATIONNEMENT.
2. Avant de quitter la position d'utilisation, coupez le moteur, enlevez la clé et attendez l'arrêt complet de toutes les pièces mobiles.
3. Débarrassez l'extérieur de toute la machine, en particulier le moteur et le système hydraulique, des déchets d'herbe coupée, des saletés et de la crasse. Éliminez les saletés et les débris d'herbe sèche pouvant se trouver sur les ailettes de la culasse et le carter du ventilateur.

Important: Vous pouvez laver la machine avec de l'eau et un détergent doux. N'utilisez pas de nettoyeur haute pression. N'utilisez pas une trop grande quantité d'eau, surtout près du panneau de commande, du moteur, des pompes hydrauliques et des moteurs électriques.

4. Vérifiez le fonctionnement du frein de stationnement; voir [Position de stationnement \(page 11\)](#).
5. Faites l'entretien du filtre à air; voir [Entretien du filtre à air \(page 33\)](#).
6. Graissez la machine; voir [Lubrification \(page 33\)](#).
7. Vidangez l'huile moteur; voir [Entretien du moteur \(page 33\)](#).
8. Contrôlez la pression des pneus ; voir [Contrôle de la pression des pneus \(page 42\)](#).

9. Chargez la batterie ; voir [Charge de la batterie \(page 41\)](#).
10. Si vous remisez la machine en laissant la batterie dessus, débranchez le câble négatif (noir) de la batterie.
11. Grattez l'herbe et les saletés éventuellement accumulées sur le dessous du tablier de coupe, puis lavez la machine au tuyau d'arrosage.
12. Vérifiez l'état des lames ; voir [Entretien des lames \(page 44\)](#).
13. Si vous prévoyez de remiser la machine plus de 30 jours de suite, préparez-la comme suit :

Remarque: Conduisez la machine, en engageant la commande des lames (PDF), moteur au ralenti accéléré, pendant 2 à 5 minutes après l'avoir lavée.

- A. Ajoutez un stabilisateur/conditionneur de carburant dans le réservoir de carburant. Respectez les proportions spécifiées par le fabricant du stabilisateur de carburant. N'utilisez pas de stabilisateur à base d'alcool (éthanol ou méthanol).
- B. Faites tourner le moteur pendant 5 minutes pour faire circuler le carburant traité dans tout le circuit d'alimentation.
- C. Coupez le moteur, laissez-le refroidir, puis vidangez le réservoir de carburant à l'aide d'un siphon à pompe ou laissez tourner le moteur jusqu'à ce qu'il s'arrête.
- D. Débarrassez-vous du carburant correctement. Recyclez le carburant conformément à la réglementation locale en matière d'environnement.

Important: Ne conservez pas le carburant additionné de stabilisateur/conditionneur plus longtemps que recommandé par le fabricant du stabilisateur de carburant.

14. Déposez la ou les bougies et vérifiez leur état; voir [Entretien de la bougie \(page 37\)](#). Versez 30 ml (2 cuillères à soupe) d'huile moteur dans l'ouverture laissée par la bougie. Actionnez le démarreur pour faire tourner le moteur et bien répartir l'huile dans le cylindre. Reposez la ou les bougies. Ne rebranchez pas le fil de la ou des bougies.
15. Contrôlez et resserrez toutes les fixations. Réparez ou remplacez toute pièce endommagée.
16. Peignez toutes les surfaces métalliques éraflées ou mises à nu. Une peinture pour retouches

est disponible chez les dépositaires-réparateurs agréés.

17. Rangez la machine dans un endroit propre et sec, comme un garage ou une remise. Retirez la clé du commutateur d'allumage et rangez-la hors de la portée des enfants ou des personnes non autorisées. Couvrez la machine pour la protéger et la garder propre.

Remisage de la batterie

1. Rechargez la batterie au maximum.
2. Laissez la batterie reposer pendant 24 heures puis vérifiez la tension de la batterie.

Remarque: Si la tension est inférieure à 12,6 V, répétez les opérations 1 et 2.

3. Débranchez les câbles de la batterie.
4. Vérifiez régulièrement que la tension est bien égale ou supérieure à 12,4 V.

Remarque: Si la tension est inférieure à 12,4 V, répétez les opérations 1 et 2.

Conseils pour le rangement de la batterie

Si vous rangez la batterie hors de la machine, procédez comme suit :

- Rangez la batterie dans un endroit frais et sec, en position verticale.
- N'empilez pas les batteries directement les unes sur les autres, sauf si elles sont dans des cartons.
- N'empilez pas plus de 3 batteries (seulement 2 s'il s'agit de batteries de type commercial).
- Testez les batteries à liquide tous les 4 à 6 mois et chargez-les au besoin.
- Testez et chargez toujours la batterie avant de l'installer.

Dépistage des défauts

Problème	Cause possible	Mesure corrective
Le réservoir de carburant semble s'affaisser ou la machine semble tomber en panne de carburant fréquemment.	1. L'élément filtrant en papier est colmaté.	1. Nettoyez l'élément en papier.
Le moteur surchauffe.	<ol style="list-style-type: none"> 1. Charge excessive du moteur. 2. Le niveau d'huile est trop bas dans le carter moteur. 3. Les ailettes de refroidissement et les passages d'air sous le carter du ventilateur sont bouchés. 4. Le filtre à air est encrassé. 5. Le circuit d'alimentation contient des impuretés, de l'eau ou du carburant altéré. 	<ol style="list-style-type: none"> 1. Réduisez votre vitesse. 2. Faites l'appoint d'huile. 3. Dégagez les ailettes de refroidissement et les passages d'air. 4. Nettoyez ou remplacez l'élément du filtre à air. 5. Contactez un dépositaire-réparateur agréé.
Le démarreur ne fonctionne pas.	<ol style="list-style-type: none"> 1. La commande des lames est en position engagée. 2. Les leviers de commande de déplacement ne sont pas à la position STATIONNEMENT. 3. La batterie est à plat. 4. Les connexions électriques sont corrodées ou desserrées. 5. Un fusible a grillé. 6. Un relais ou contact est défectueux. 	<ol style="list-style-type: none"> 1. Désengagez la commande des lames. 2. Poussez les leviers de commande de déplacement vers l'extérieur, à la position STATIONNEMENT. 3. Rechargez la batterie. 4. Vérifiez le bon contact des connexions électriques. 5. Remplacez le fusible. 6. Contactez un dépositaire-réparateur agréé.
Le moteur ne démarre pas, démarre difficilement ou cale.	<ol style="list-style-type: none"> 1. Le réservoir de carburant est vide. 2. Le volet de départ (le cas échéant) n'est pas en service. 3. Le filtre à air est encrassé. 4. Le fil d'une ou de plusieurs bougies est mal branché ou débranché. 5. Une ou des bougies sont piquées ou encrassées, ou l'écartement des électrodes est incorrect. 6. Le filtre à carburant est encrassé. 7. Impuretés, eau ou carburant altéré dans le système d'alimentation. 8. Le réservoir ne contient pas le type de carburant correct. 9. Le niveau d'huile est trop bas dans le carter moteur. 	<ol style="list-style-type: none"> 1. Faites le plein de carburant. 2. Amenez la commande du volet de départ à la position EN SERVICE. 3. Nettoyez ou remplacez l'élément du filtre à air. 4. Rebranchez le fil de la ou des bougies. 5. Montez une ou des bougies neuves, à écartement correct. 6. Remplacez le filtre à carburant. 7. Contactez un dépositaire-réparateur agréé. 8. Vidangez le réservoir et faites le plein de carburant correct. 9. Faites l'appoint d'huile.

Problème	Cause possible	Mesure corrective
Le moteur perd de la puissance.	<ol style="list-style-type: none"> 1. Charge excessive du moteur. 2. Le filtre à air est encrassé. 3. Le niveau d'huile est trop bas dans le carter moteur. 4. Les ailettes de refroidissement et les passages d'air sous le carter du ventilateur sont bouchés. 5. Une ou des bougies sont piquées ou encrassées, ou l'écartement des électrodes est incorrect. 6. L'évent du réservoir de carburant est bouché. 7. Le filtre à carburant est encrassé. 8. Le circuit d'alimentation contient des impuretés, de l'eau ou du carburant altéré. 9. Le réservoir ne contient pas le type de carburant correct. 	<ol style="list-style-type: none"> 1. Réduisez votre vitesse. 2. Nettoyez l'élément du filtre à air. 3. Faites l'appoint d'huile. 4. Dégagez les ailettes de refroidissement et les passages d'air. 5. Montez une ou des bougies neuves, à écartement correct. 6. Contactez un dépositaire-réparateur agréé. 7. Remplacez le filtre à carburant. 8. Contactez un dépositaire-réparateur agréé. 9. Contactez un dépositaire-réparateur agréé.
La machine ne se déplace pas.	<ol style="list-style-type: none"> 1. Les vannes de dérivation sont ouvertes. 2. Les courroies de transmission aux roues sont usées, lâches ou cassées. 3. Les courroies de transmission aux roues sont déchaussées. 4. Panne de la transmission. 	<ol style="list-style-type: none"> 1. Fermez les vannes de remorquage. 2. Contactez un dépositaire-réparateur agréé. 3. Contactez un dépositaire-réparateur agréé. 4. Contactez un dépositaire-réparateur agréé.
La machine vibre de manière anormale.	<ol style="list-style-type: none"> 1. Lame(s) faussée(s) ou déséquilibrée(s). 2. Le boulon de fixation de la lame est desserré. 3. Les boulons de montage du moteur sont desserrés. 4. Poulies de moteur, de tension ou de lames desserrées. 5. La poulie du moteur est endommagée. 6. Axe de lame faussé. 7. Le support moteur est desserré ou usé. 	<ol style="list-style-type: none"> 1. Remplacez la ou les lames. 2. Resserrez le boulon de fixation de la lame. 3. Resserrez les boulons de montage du moteur. 4. Resserrez la poulie voulue. 5. Contactez un dépositaire-réparateur agréé. 6. Contactez un dépositaire-réparateur agréé. 7. Contactez un dépositaire-réparateur agréé.
La hauteur de coupe est inégale.	<ol style="list-style-type: none"> 1. La ou les lames sont émoussées. 2. Lame(s) faussée(s). 3. Le tablier de coupe n'est pas de niveau. 4. Un galet anti-scalp (le cas échéant) est mal réglé. 5. Le dessous du tablier de coupe est encrassé. 6. Les pneus ne sont pas gonflés à la pression correcte. 7. L'axe de lame est faussé. 	<ol style="list-style-type: none"> 1. Aiguissez la ou les lames. 2. Remplacez la ou les lames. 3. Mettez le tablier de coupe de niveau, transversalement et longitudinalement. 4. Réglez la hauteur du galet anti-scalp. 5. Nettoyez le dessous du tablier de coupe. 6. Corrigez la pression des pneus. 7. Contactez un dépositaire-réparateur agréé.

Problème	Cause possible	Mesure corrective
Les lames ne tournent pas.	<ol style="list-style-type: none"> 1. La courroie d'entraînement est usée, détendue ou cassée. 2. La courroie d'entraînement est déchaussée de la poulie. 3. La commande de prise de force (PDF) ou l'embrayage de PDF est défectueux. 4. La courroie du tablier de coupe est usée, lâche ou cassée. 	<ol style="list-style-type: none"> 1. Remplacez la courroie d'entraînement. 2. Rechaussez la courroie d'entraînement et contrôlez la position des axes de réglage et des guide-courroie. 3. Contactez un dépositaire-réparateur agréé. 4. Remplacez la courroie du tablier de coupe.

Schémas

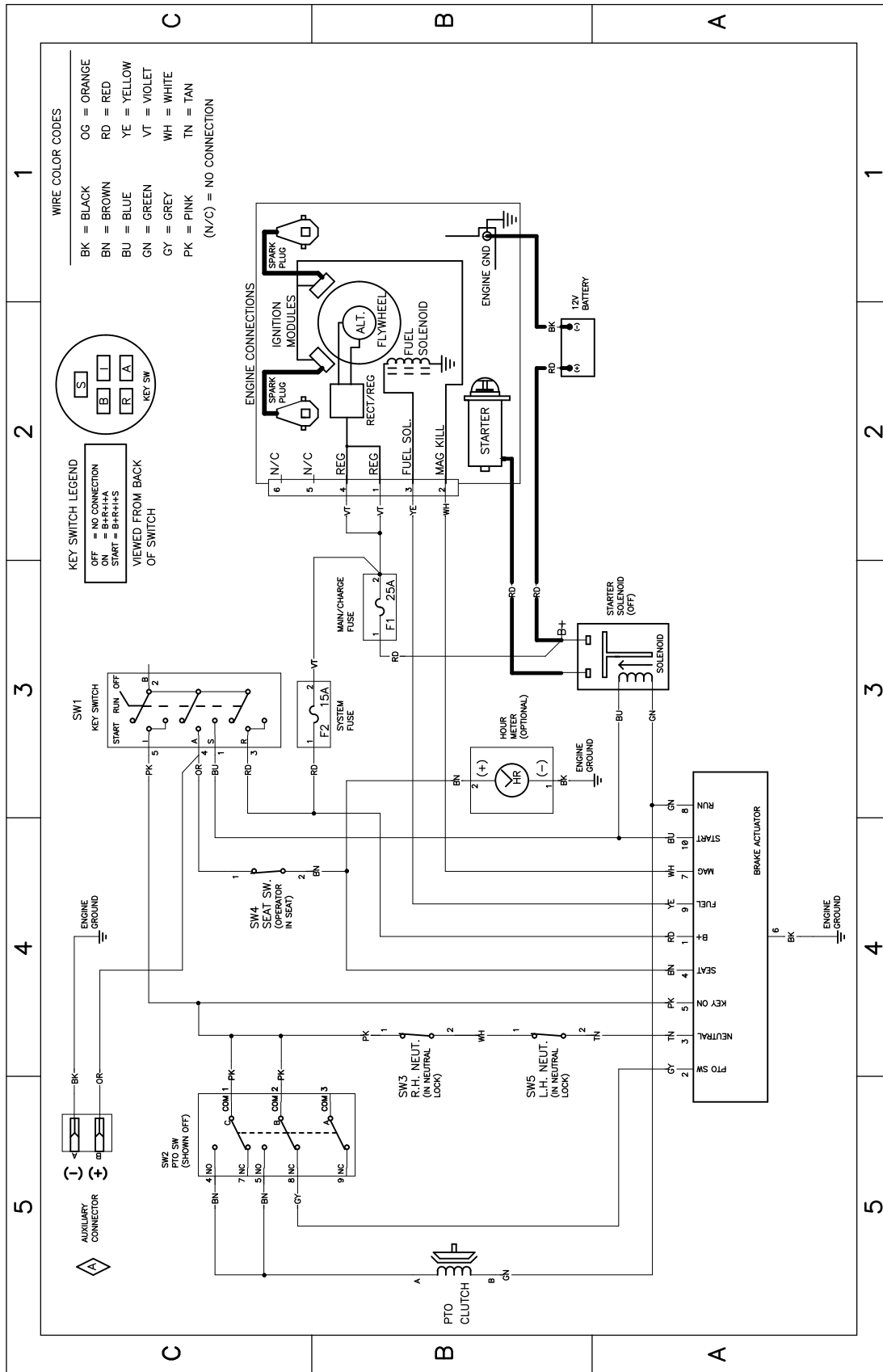


Schéma électrique - 139-2356 (Rev. A)

g307974

Remarques:

Proposition 65 de Californie – Information concernant cet avertissement

En quoi consiste cet avertissement?

Certains produits commercialisés présentent une étiquette d'avertissement semblable à ce qui suit :



AVERTISSEMENT : Cancer et troubles de la reproduction –
www.p65Warnings.ca.gov.

Qu'est-ce que la Proposition 65?

La Proposition 65 s'applique à toute société exerçant son activité en Californie, qui vend des produits en Californie ou qui fabrique des produits susceptibles d'être vendus ou importés en Californie. Elle stipule que le Gouverneur de Californie doit tenir et publier une liste des substances chimiques connues comme causant des cancers, malformations congénitales et/ou autres troubles de la reproduction. Cette liste, qui est mise à jour chaque année, comprend des centaines de substances chimiques présentes dans de nombreux objets du quotidien. La Proposition 65 a pour objet d'informer le public quant à l'exposition à ces substances chimiques.

La Proposition 65 n'interdit pas la vente de produits contenant ces substances chimiques, mais impose la présence d'avertissements sur tout produit concerné, sur son emballage ou sur la documentation fournie avec le produit. D'autre part, un avertissement de la Proposition 65 ne signifie pas qu'un produit est en infraction avec les normes ou exigences de sécurité du produit. D'ailleurs, le gouvernement californien a clairement indiqué qu'un avertissement de la Proposition 65 « n'est pas une décision réglementaire quant au caractère « sûr » ou « dangereux » d'un produit ». Bon nombre de ces substances chimiques sont utilisées dans des produits du quotidien depuis des années, sans aucun effet nocif documenté. Pour plus de renseignements, rendez-vous sur <https://oag.ca.gov/prop65/faqs-view-all>.

Un avertissement de la Proposition 65 signifie qu'une société a soit (1) évalué l'exposition et conclu qu'elle dépassait le « niveau ne posant aucun risque significatif »; soit (2) choisi d'émettre un avertissement simplement sur la base de sa compréhension quant à la présence d'une substance chimique de la liste, sans tenter d'en évaluer l'exposition.

Cette loi s'applique-t-elle partout?

Les avertissements de la Proposition 65 sont exigés uniquement en vertu de la loi californienne. Ces avertissements sont présents dans tout l'état de Californie, dans des environnements très variés, notamment mais pas uniquement les restaurants, magasins d'alimentation, hôtels, écoles et hôpitaux, et sur un vaste éventail de produits. En outre, certains détaillants en ligne et par correspondance fournissent des avertissements de la Proposition 65 sur leurs sites internet ou dans leurs catalogues.

Quelles différences entre les avertissements de Californie et les limites fédérales?

Les normes de la Proposition 65 sont souvent plus strictes que les normes fédérales et internationales. Diverses substances exigent un avertissement de la Proposition 65 à des niveaux bien inférieurs aux limites d'intervention fédérales. Par exemple, la norme de la Proposition 65 en matière d'avertissements pour le plomb se situe à 0,5 µg/jour, soit bien moins que les normes fédérales et internationales.

Pourquoi l'avertissement ne figure-t-il pas sur tous les produits semblables?

- Pour les produits commercialisés en Californie, l'étiquetage Proposition 65 est exigé, tandis qu'il ne l'est pas sur des produits similaires commercialisés ailleurs.
- Il se peut qu'une société impliquée dans un procès lié à la Proposition 65 et parvenant à un accord soit obligée d'utiliser les avertissements de la Proposition 65 pour ses produits, tandis que d'autres sociétés fabriquant des produits semblables peuvent ne pas être soumises à cette obligation.
- L'application de la Proposition 65 n'est pas uniforme.
- Certaines sociétés peuvent choisir de ne pas indiquer d'avertissements car elles considèrent qu'elles n'y sont pas obligées au titre de la Proposition 65; l'absence d'avertissements sur un produit ne signifie pas que le produit ne contient pas de substances de la liste à des niveaux semblables.

Pourquoi cet avertissement apparaît-il sur les produits Toro?

Toro a choisi de fournir aux consommateurs le plus d'information possible afin qu'ils puissent prendre des décisions éclairées quant aux produits qu'ils achètent et utilisent. Toro fournit des avertissements dans certains cas d'après ses connaissances quant à la présence de l'une ou plusieurs des substances chimiques de la liste, sans en évaluer le niveau d'exposition, car des exigences de limites ne sont pas fournies pour tous les produits chimiques de la liste. Bien que l'exposition avec les produits Toro puisse être négligeable ou parfaitement dans les limites « sans aucun risque significatif », par mesure de précaution, Toro a décidé de fournir les avertissements de la Proposition 65. De plus, en l'absence de ces avertissements, la société Toro pourrait être poursuivie en justice par l'État de Californie ou par des particuliers cherchant à faire appliquer la Proposition 65, et donc assujettie à d'importantes pénalités.