



Count on it.

Parts Catalog

**LT3340 4 Wheel Drive
Triple Reel Mower**

Model No. 31657—Serial No. 413000000 and Up



Ordering Replacement Parts

To order replacement parts, please supply the part number, the quantity, and the description of each part desired.

Understanding Reference Numbers

Each identified part in an illustration has a reference number. The reference number for a part also appears in the parts list, along with other information about the part.

This catalog uses two special reference number formats, one to indicate parts in a service assembly and another to indicate the quantity of a given part in an illustration.

Service Assembly Reference Numbers

Parts in service assemblies have reference numbers in the form a:b. The a represents the reference number of the entire service assembly and the b represents a sequential number unique to each part within the service assembly.

For example, a wheel assembly might be identified by reference number 6, the tire by 6:1, the valve by 6:2, and the wheel by 6:3. When you order the assembly identified by reference number 6, you receive all parts identified by reference numbers 6:1, 6:2, and 6:3. However, you may also order any part individually. Reference numbers of this type appear in illustration and in parts lists.

Reference Numbers Indicating Quantity

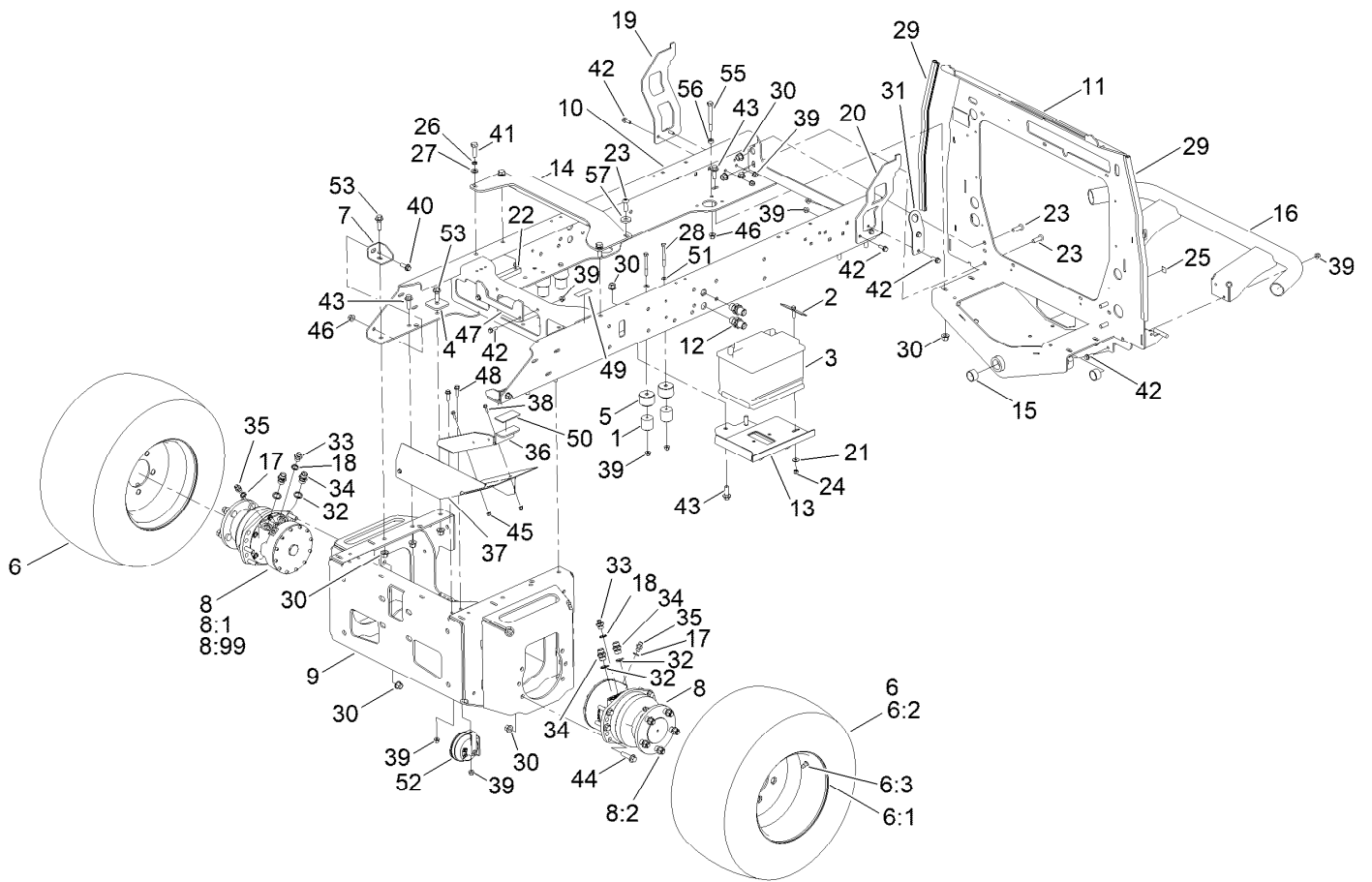
In an illustration, if a reference number indicates more than one part, the reference number has the form nX y. The n represents the quantity of the part, the X is the multiplication symbol, and the y represents the reference number.

For example, in an illustration, the reference number 2X 37 means that two of the parts identified by reference number 37 are indicated.

Contents

Frame Assembly	4
Rear Axle Assembly	6
Front Arm Assembly	8
Centre Arm Assembly	10
Engine Assembly	12
Fuel Hose Assembly	14
Cooling Package Assembly	16
Operator Area Assembly	18
Steering Column Assembly No. 132-6230	20
Engine Cover Assembly	22
Electrical Bulkhead Assembly	24
Console and Main Wiring Harness Assembly	26
Main Wire Harness Assembly No. 122-1215	28
Engine Wiring Harness Assembly	30
Control Arm Assembly	32
Control Pedals Assembly	34
Cutterhead Assembly	36
Fuel Tank and Storage Pod Assembly	38
ROPS Assembly	40
Hydraulic Oil Tank Assembly	42
Transmission and Cutter Pump Assembly	44
Hydraulic Pump Assembly No. 134-4255	46
Transmission Circuit Hydraulic Hose Assembly	48
Cutter Circuit Hydraulic Hose Assembly	50
Lift Circuit Hydraulic Hosing Assembly	52
Filter Assembly	54
Front Transmission Manifold Assembly	56
Transmission Manifold Assembly No. 134-1617	58
Front Transmission Manifold Assembly	60
Hydraulic Manifold Assembly No. 134-3295	62
Cutter Manifold Assembly	64
Cutter Control Manifold Assembly No. 134-4822	66
Lift Manifold Assembly	68
Lift Control Manifold Assembly No. 111-8419	70
Cylinder Block Assembly	72
Gear Housing Assembly	74
Flywheel Housing and Oil Sump Assembly	76
Cylinder Head and Bonnet Assembly	78
Suction Manifold Assembly	80
Exhaust Manifold Assembly	82
Diesel Particulate Filter Assembly	84
Camshaft and Driving Gear Assembly	86
Crankshaft and Piston Assembly	88
Lubrication Oil System Assembly	90
Cooling Water System Assembly	92
Fuel Supply Pump Assembly	94
Fuel Injection Valve Assembly	96
Fuel Pipe Assembly	98
Starting Motor Assembly	100
Generator Assembly	102
Electric Parts	104
Accessory Assembly	106
Gasket Set	108
Attachments and Accessories	110

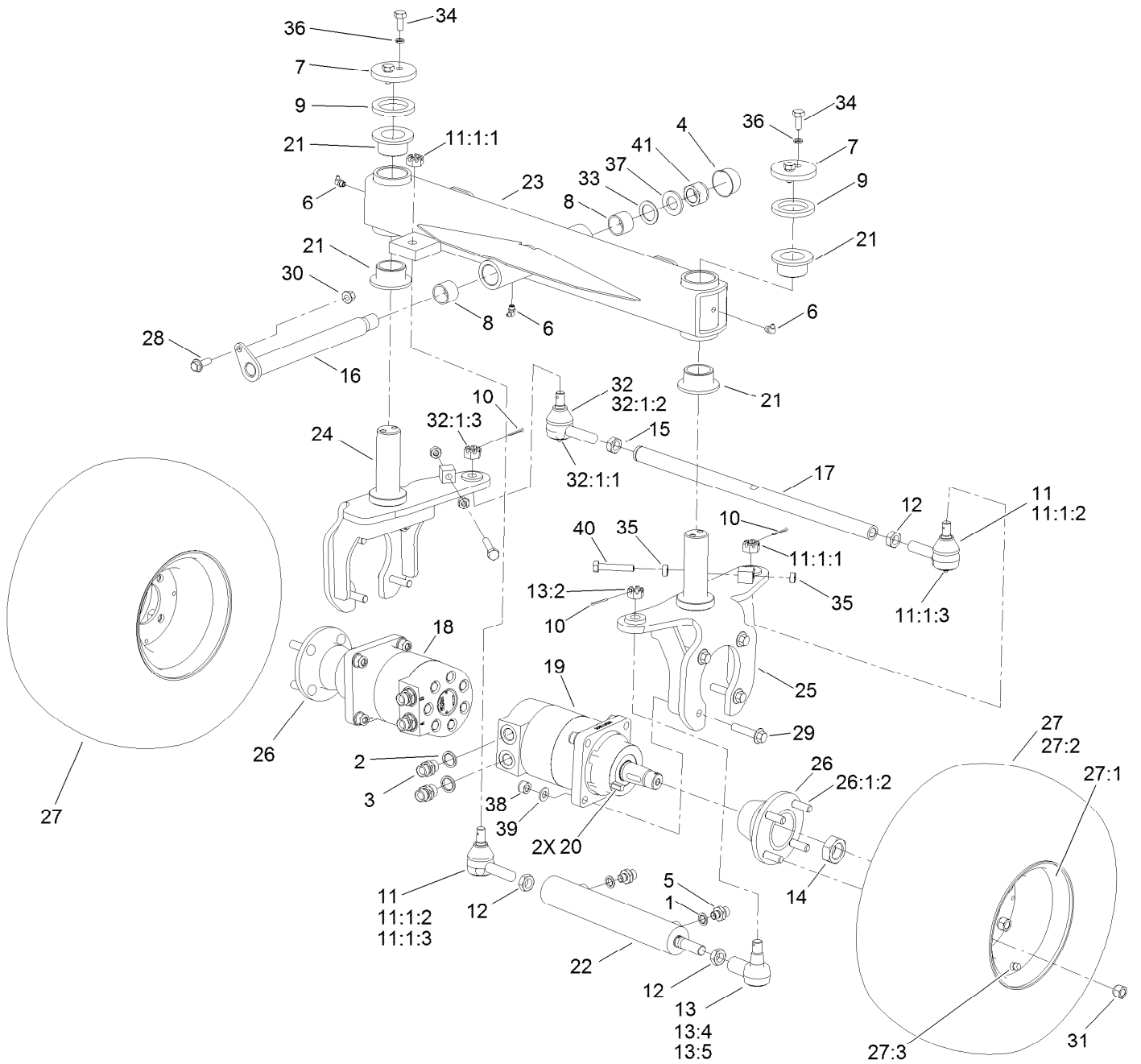
Frame Assembly



Frame Assembly (continued)

<i>Ref.</i>	<i>Part Number</i>	<i>Qty.</i>	<i>Description</i>	<i>Ref.</i>	<i>Part Number</i>	<i>Qty.</i>	<i>Description</i>
1	61-07-003	4	Buffer-Rubber	25	93-9084	1	Decal-Point, Lift
2	70-01-340	1	Retainer-Battery	26	09599	3	Washer-Lock
3	70-09-015	1	Battery	27	HY09485	3	Washer-Plain
4	134-8266	2	Plate Clamping	28	ZBH1H075U	4	Bolt
5	111-5305	4	Bump-Stop	29	994808	2	Excluder-Draught
6	134-4178	2	Wheel ASM	30	134-3764	29	Nut-Flange, NI
6:1	111-6879	1	Rim-Wheel	31	134-1745-03	1	Bracket-Hose Support
6:2	74-07-027	1	Tire	32	10-06-032	4	Seal-Dowty
6:3	5108	1	Valve	33	50-06-009	2	Adaptor-BSP
7	111-7092-03	2	Bracket-Chassis, Universal	34	10-06-078	4	Adaptor-BSPP
8	134-3968	2	Motor-Wheel, Front	35	10-06-085	2	Adaptor
8:1	111-7059	5	Stud-Wheel	36	111-3217-03	1	Support-Platform, Front (LH)
8:2	74-07-016	5	Nut	37	134-4883-03	1	Deflector-Grass, LH
8:99	134-3982	1	Kit-Seal	38	134-3740	3	Screw-HHF
9	134-0460-03	1	Chassis Front Welded Assembly	39	134-3762	18	Nut-Flange, NI
10	134-0490-03	1	Chassis Centre Welded Assembly	40	134-3752	2	Screw-HHF
11	134-0520-03	1	Chassis-Rear, Welded Assembly	41	63-11-010	3	Bolt-HH
12	09-06-216	2	Adaptor-Bulkhead	42	134-3747	12	Screw-HHF
13	134-2358-03	1	Battery Tray Welded Assy	43	134-3756	8	Screw-HHF
14	134-2380-03	1	Brace Welded Assembly	44	134-3758	12	Screw-HHF
15	65-07-051	2	Bushing	45	134-3761	3	Nut-Flange, NI
16	134-2535-03	1	Bar-Bumper	46	134-3763	4	Nut-Flange, NI
17	10-06-030	2	Seal-Dowty	47	111-5538-03	1	Location-Plate
18	10-06-031	2	Seal-Dowty	48	134-3748	2	Screw-HHF
19	134-1573-03	1	Stay Rear Bulkhead RH	49	93-6686	1	Decal-Oil, HYD
20	134-1572-03	1	Stay Rear Bulkhead LH	50	HY910808	1	Strip-Neoprene
21	09267	1	Washer-Plain	51	09475	4	Washer
22	111-7094	2	Brace-Chassis	52	110-2594	1	Horn
23	09419	5	Screw-Soc, HD	53	134-3757	4	Screw-HHF
24	09441	1	Nut-Hex, NI	55	127-5864	2	Screw-HH
				56	09449	2	Nut
				57	63-01-115	1	Washer

Rear Axle Assembly



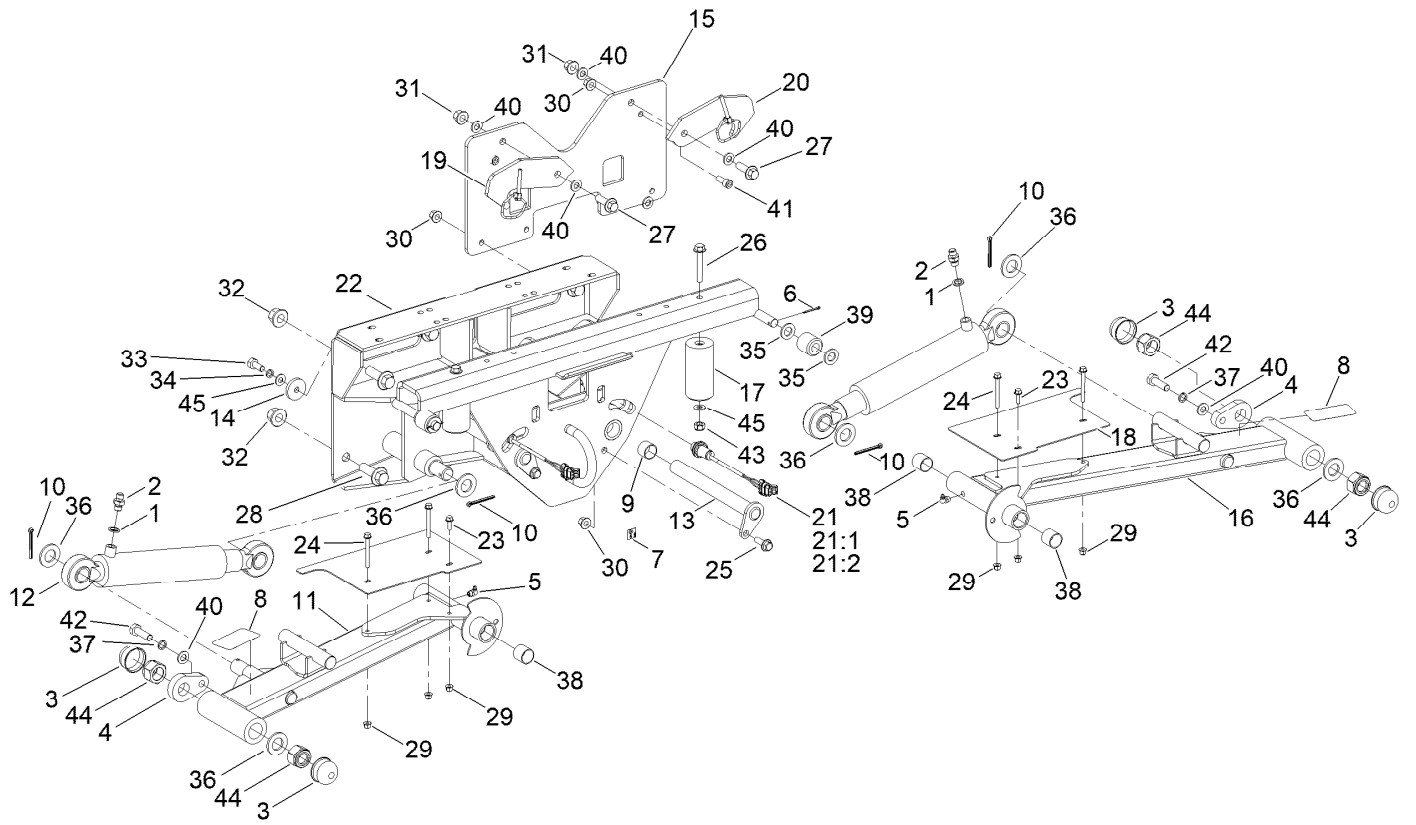
Rear Axle Assembly (continued)

<i>Ref.</i>	<i>Part Number</i>	<i>Qty.</i>	<i>Description</i>	<i>Ref.</i>	<i>Part Number</i>	<i>Qty.</i>	<i>Description</i>
1	10-06-030	2	Seal-Dowty	22	134-0292	1	Steering Cylinder ASM
2	10-06-032	4	Seal-Dowty	22:99	111-9939	1	Seal Kit ●
3	10-06-078	4	Adaptor-BSPP	23	134-0295-03	1	Axle-Rear
4	10-11-100	1	Cap-Nut	24	134-2304-03	1	Rear Yoke LH
5	50-06-009	2	Adaptor-BSP	25	134-2305-03	1	Rear Yoke RH
6	63-07-027	3	Zerk-Grease, BSP (90 DEG)	26	134-3370-03	2	Hub-Wheel, Rear
7	70-01-197	2	Cap-Washer	26:1:2	1-633926	4	Stud-Wheel
8	70-05-031	2	Bushing	27	134-3607	2	Wheel ASM
9	70-07-149	2	Washer-Felt	27:1	134-3606	1	Wheel Rim
10	70-11-005	3	Pin-Split	27:2	924803	1	Tire
11	71-4740-03	2	RH Tie Rod End ASM	27:3	5108	1	Valve
11:1		1	End-Rod, Tie (RH) ●■	28	134-3752	1	Screw-HHF
11:1:1	105-7941	1	Nut-Hex, Slotted	29	134-3759	8	Screw-HHF
11:1:2	105-7835	1	Seal	30	134-3763	1	Nut-Flange, NI
11:1:3	302-5	1	Fitting-Grease	31	242-50	8	Nut-Lug
12	84-5300	3	Nut-Jam	32	2411-46-03	1	LH Tie Rod ASM
13	107-2553	1	Rod End ASM	32:1	2411-46	1	End-Rod, Tie (LH) ●
13:2	32136-2	1	Nut-SHH	32:1:1	302-5	1	Fitting-Grease
13:4	106-6896	1	Seal	32:1:2	105-7835	1	Seal
13:5	302-5	1	Fitting-Grease	32:1:3	105-7941	1	Nut-Hex, Slotted
14	107-9319	2	Nut-Hex	33	09298	1	Washer
15	110-5337	1	Nut-Jam	34	09395	4	Screw-HH
16	111-3265	1	Pin-Axle	35	09449	4	Nut
17	111-7924-03	1	Rod-Tie	36	09480	4	Washer-Lock
18	111-8431	1	Motor-Wheel, Rear (LH)	37	09555	1	Washer
18:1	115-4061	1	Seal Kit ●	38	09650	8	Nut-Hex, Nyloc
19	111-8432	1	Motor-Wheel, Rear (RH)	39	HY09485	8	Washer-Plain
19:1	115-4061	1	Seal Kit ●	40	ZDH1J060U	2	Setscrew-HH
20	117-5198	2	Key-Square	41	ZNN1X000U	1	Nut-Hex, Nyloc
21	134-0253	4	Bushing-Flange				

● Not illustrated

■ Not serviced separately

Front Arm Assembly

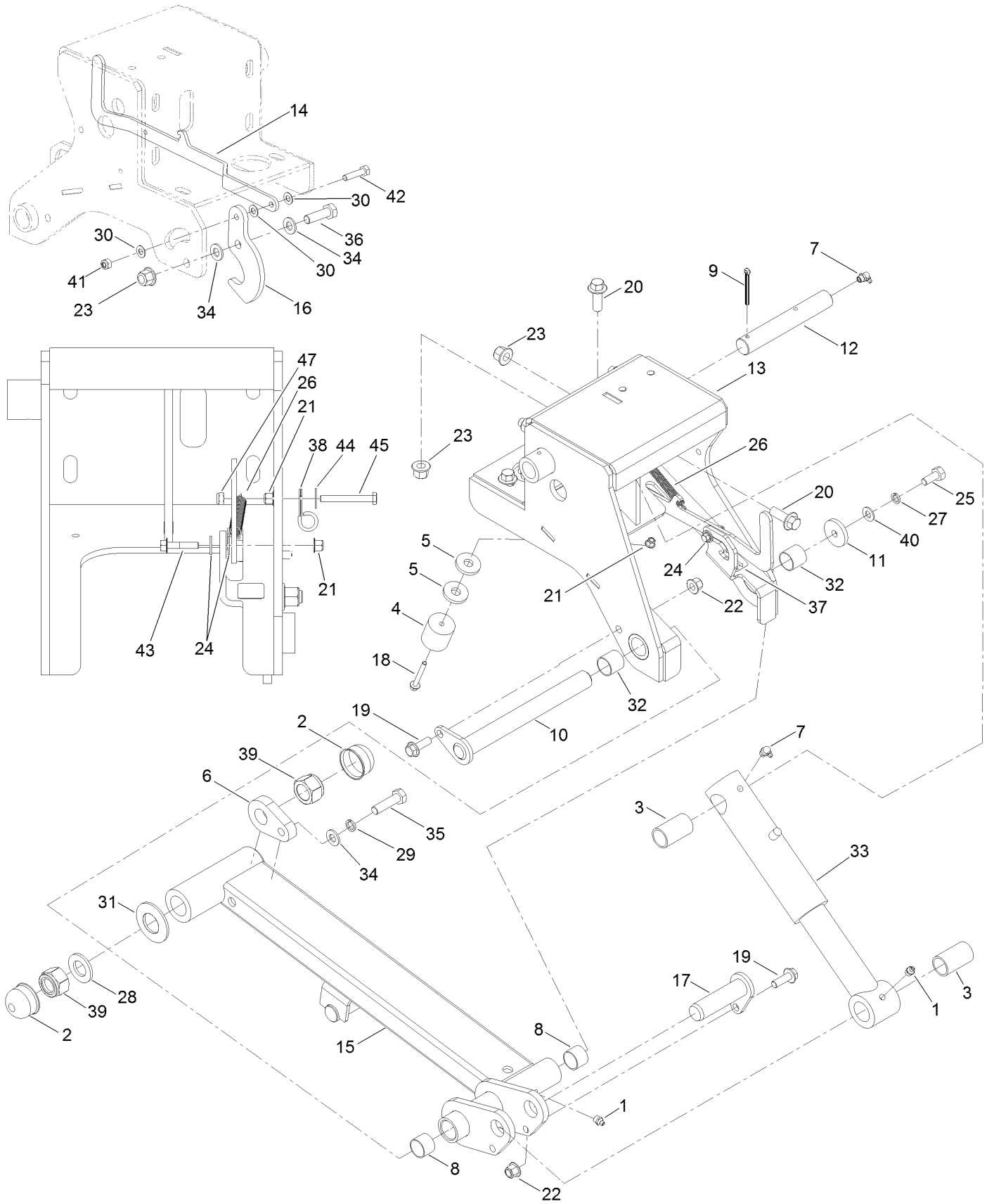


Front Arm Assembly (continued)

<i>Ref.</i>	<i>Part Number</i>	<i>Qty.</i>	<i>Description</i>	<i>Ref.</i>	<i>Part Number</i>	<i>Qty.</i>	<i>Description</i>
1	10-06-030	2	Seal-Dowty	22	134-2755-03	1	Front Arm Pivot Welded Assy
2	10-06-085	2	Adaptor	23	134-3740	2	Screw-HHF
3	10-11-100	4	Cap-Nut	24	134-3745	4	Screw-HHF
4	63-01-185W	2	Retainer-Pin	25	134-3753	6	Screw-HHF
5	63-07-027	2	Zerk-Grease, BSP (90 DEG)	26	134-3754	2	Screw-HHF
6	70-11-005	2	Pin-Split	27	63-11-010	2	Bolt-HH
7	93-9084	1	Decal-Point, Lift	28	134-3760	8	Screw-HHF
8	134-5122	2	Decal-Danger, Latch	29	134-3761	6	Nut-Flange, NI
9	74-07-028	4	Bushing	30	134-3763	8	Nut-Flange, NI
10	74-11-003	4	Pin-Split	31	09650	2	Nut-Hex, Nyloc
11	111-1390-03	1	Arm-Front, RH	32	134-3765	8	Nut-Flange, NI
12	111-1998	2	HYD Lift Cylinder ASM	33	09395	2	Screw-HH
12:1	111-2561	2	Fitting-Grease ●	34	09480	2	Washer-Lock
12:2	111-3471	1	Seal Kit ●	35	09491	4	Washer-Plain
13	111-3248	2	Pin-Pivot, Front Arm	36	09555	10	Washer
14	111-3366	2	Plate-Retaining, Bush	37	09599	2	Washer-Lock
15	134-5130-03	1	Plate-Latch [black]	38	876066	4	Bushing
16	111-4100-03	1	Arm-Front, LH	39	922112	2	Roller
17	111-4157	2	Stop-Bump	40	HY09485	8	Washer-Plain
18	111-6822-03	2	Deflector-Arm, Mounted	41	ZCS1J025U	2	Screw-HSH
19	111-7921-01	1	Plate-Latch, RH	42	ZDH1L040U	2	Screw-HH
20	111-7922-01	1	Plate-Latch, LH	43	ZNN1J000U	2	Nut-Hex, NI
21	115-5300	2	Proximity Switch ASM	44	ZNN1X000U	4	Nut-Hex, Nyloc
21:1	117-3207	2	Nut-Hex	45	ZWQ1J000U	4	Washer-Plain
21:2	117-3208	2	Washer-Lock, Internal Tooth				

● Not illustrated

Centre Arm Assembly

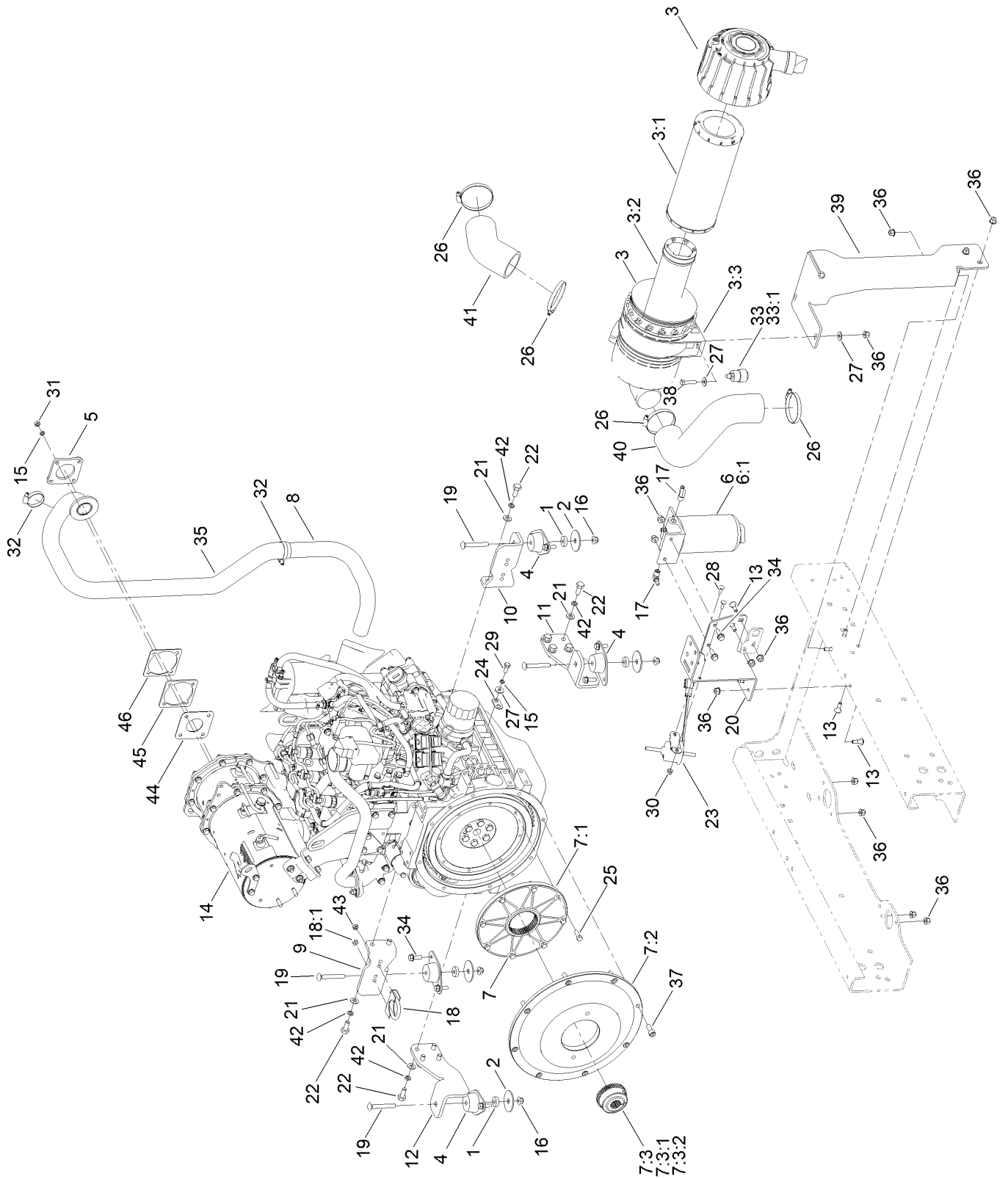


Centre Arm Assembly (continued)

<i>Ref.</i>	<i>Part Number</i>	<i>Qty.</i>	<i>Description</i>	<i>Ref.</i>	<i>Part Number</i>	<i>Qty.</i>	<i>Description</i>
1	10-11-017	2	Fitting-Straight	24	111-7679	2	Washer-Plain
2	10-11-100	2	Cap-Nut	25	09395	1	Screw-HH
3	25-07-007	2	Bushing-Tension	26	111-3329	1	Spring-Latch, Center Head
4	61-07-003	1	Buffer-Rubber	27	09480	1	Washer-Lock
5	63-01-115	2	Washer	28	09555	1	Washer
6	63-01-185W	1	Retainer-Pin	29	09599	1	Washer-Lock
7	63-07-027	2	Zerk-Grease, BSP (90 DEG)	30	ZWP1H000U	3	Washer-Plain
8	74-07-028	2	Bushing	31	767815	1	Washer-Belleville
9	74-11-003	1	Pin-Split	32	876066	2	Bushing
10	111-3248	1	Pin-Pivot, Front Arm	33	910109W	1	Cylinder-Lift
11	111-3366	1	Plate-Retaining, Bush	33:99	50-06-013	1	Seal Kit ●
12	111-5212	1	Pin-Plain	34	HY09485	3	Washer-Plain
13	134-1656-03	1	Mount, Centre-Arm [black]	35	ZBH1L045U	1	Screw-HH
14	134-4176-01	1	Latch, Arm	36	63-11-010	1	Bolt-HH
15	134-2140-03	1	Centre Arm Assembly [black]	37	119-4988	1	Decal-Lock
16	134-4174-01	1	Latch, Pivot	38	111-6082	1	Clamp-Cable
17	74-05-108	1	Pin-Wing, Arm	39	ZNN1X000U	2	Nut-Hex, Nyloc
18	134-3744	1	Screw-HHF	40	ZWQ1J000U	1	Washer-Plain
19	134-3752	2	Screw-HHF	41	09441	1	Nut-Hex, NI
20	134-3756	6	Screw-HHF	42	ZDH1H035U	1	Screw-HH
21	134-3761	3	Nut-Flange, NI	43	134-3742	1	Screw-HHF
22	134-3763	2	Nut-Flange, NI	44	09262	1	Washer
23	134-3764	7	Nut-Flange, NI	45	ZDH1F050U	1	Setscrew
				47	09438	1	Nut-Nyloc

● Not illustrated

Engine Assembly

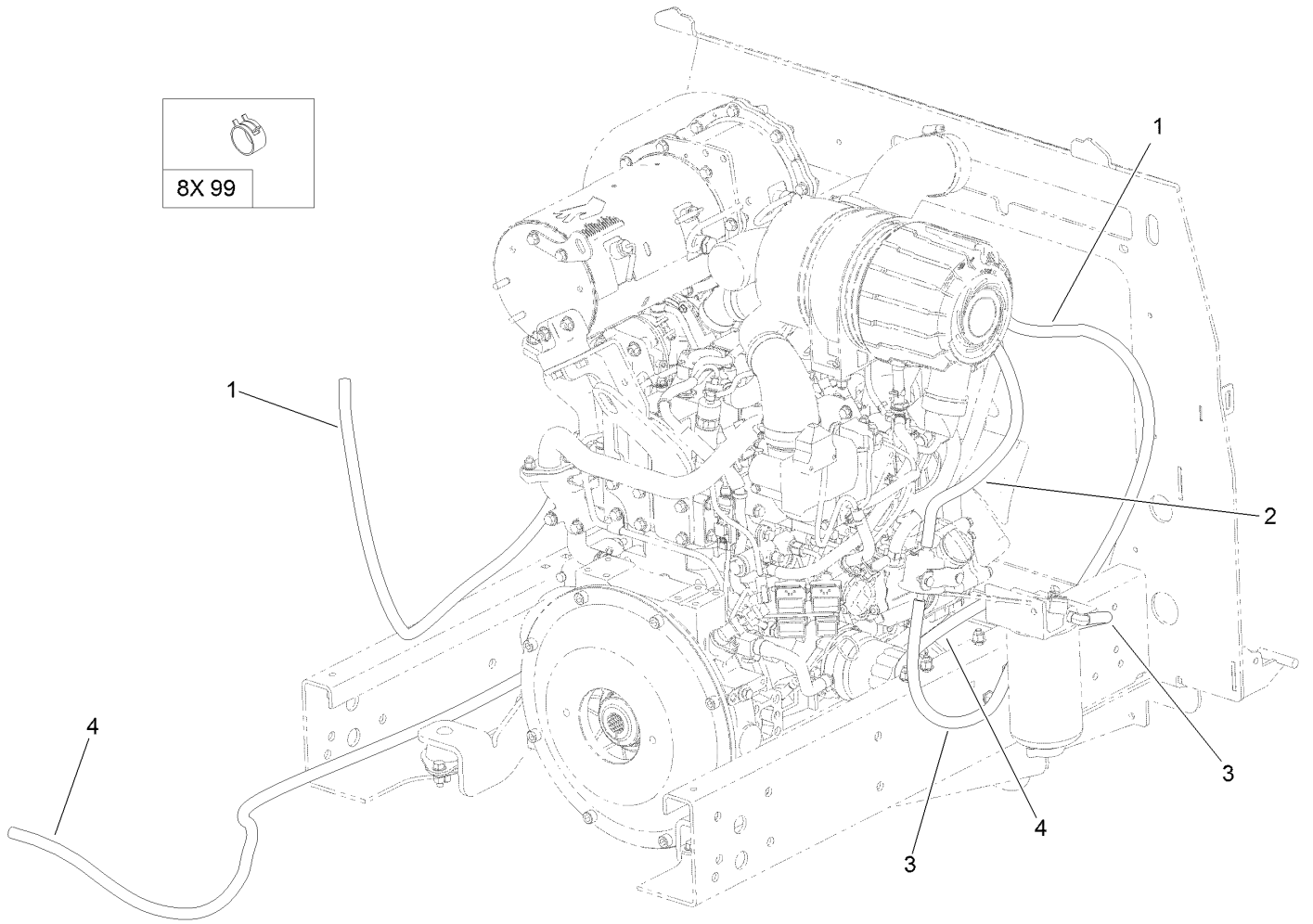


Engine Assembly (continued)

<i>Ref.</i>	<i>Part Number</i>	<i>Qty.</i>	<i>Description</i>	<i>Ref.</i>	<i>Part Number</i>	<i>Qty.</i>	<i>Description</i>
1	62-6660	4	Spacer	19	126-7090	4	Screw-CARR
2	87-5100	4	Washer-Snubbing	20	134-7558-03	1	Bracket, Return Filter
3	111-5014	1	Cleaner-Air	21	ZWQ1J000U	12	Washer-Plain
3:1	108-3812	1	Filter-Air	22	09395	12	Screw-HH
3:2	108-3813	1	Element-Safety, Air Cleaner	23	121-5613	1	Pump-Fuel, Electric
3:3	111-5017	1	Strap-Cleaner, Air	24	74-01-327	1	Bracket-Loom, Tie
4	120-6274	4	Mount-Engine	25	03162	8	Screw-HH
5	134-3629-03	1	Flange-Exhaust	26	65-07-042	4	Clip-Hose
6	125-2914	1	Filter-Separator	27	09267	5	Washer-Plain
6:1	125-2915	1	Filter-Fuel/Water Separator	28	09668	2	Bolt-Coach
7	134-4805	1	Drive Coupling Kit	29	09368	1	Screw-HH
7:1	127-6607	1	Flange-Flywheel	30	134-3761	2	Nut-Flange, NI
7:2	134-4804	1	Plate-Mounting, Pump	31	ZNH1H000U	4	Nut-Hex
7:3	134-4807	1	Hub	32	924437	2	Clamp-Hose
7:3:1	09714	1	Screw Soc HD Csk M10*30 12.9	33	104-3563	1	Indicator
7:3:2	64-11-003	1	Circlip EXT DIA 22MM D1400	33:1	94-1416	1	Adapter-Indicator
8	134-2334	1	Pipe-Exhaust	34	134-3747	10	Screw-HHF
9	134-2341-03	1	Bracket-Engine, Rear Right	35	134-4897	2	Sock-Exhaust
10	134-2342-03	1	Bracket-Engine, Rear Left	36	134-3762	19	Nut-Flange, NI
11	134-3131-03	1	Bracket-Engine, Front Left	37	ZCS1J025U	8	Screw-HSH
12	134-3132-03	1	Bracket-Engine, Front Right	38	ZDH1H035U	2	Screw-HH
13	09373	7	Bolt-Coach	39	134-3775-03	1	Mount-Air Filter
14	134-4832	1	Engine-Yanmar, 3Tnv88C	40	134-3572	1	Hose, Air Intake
15	03469	5	Washer-Spring	41	134-1772	1	Hose-Air Filter
16	104-8301	4	Nut-HF, NI	42	09480	12	Washer-Lock
17	353-781	2	Fitting-HYD, 90	43	ZNB1H000U	2	Nut
18	2112-9	1	Clamp	44	121-3058	1	Gasket-Exhaust
18:1	32128-20	2	Nut-HF	45	134-6247	1	Packer-Exhaust, Thick
				46	134-6248	1	Packer-Exhaust, Thin ●
				47	134-7559-03	1	Plate-Latch ●

● Not illustrated

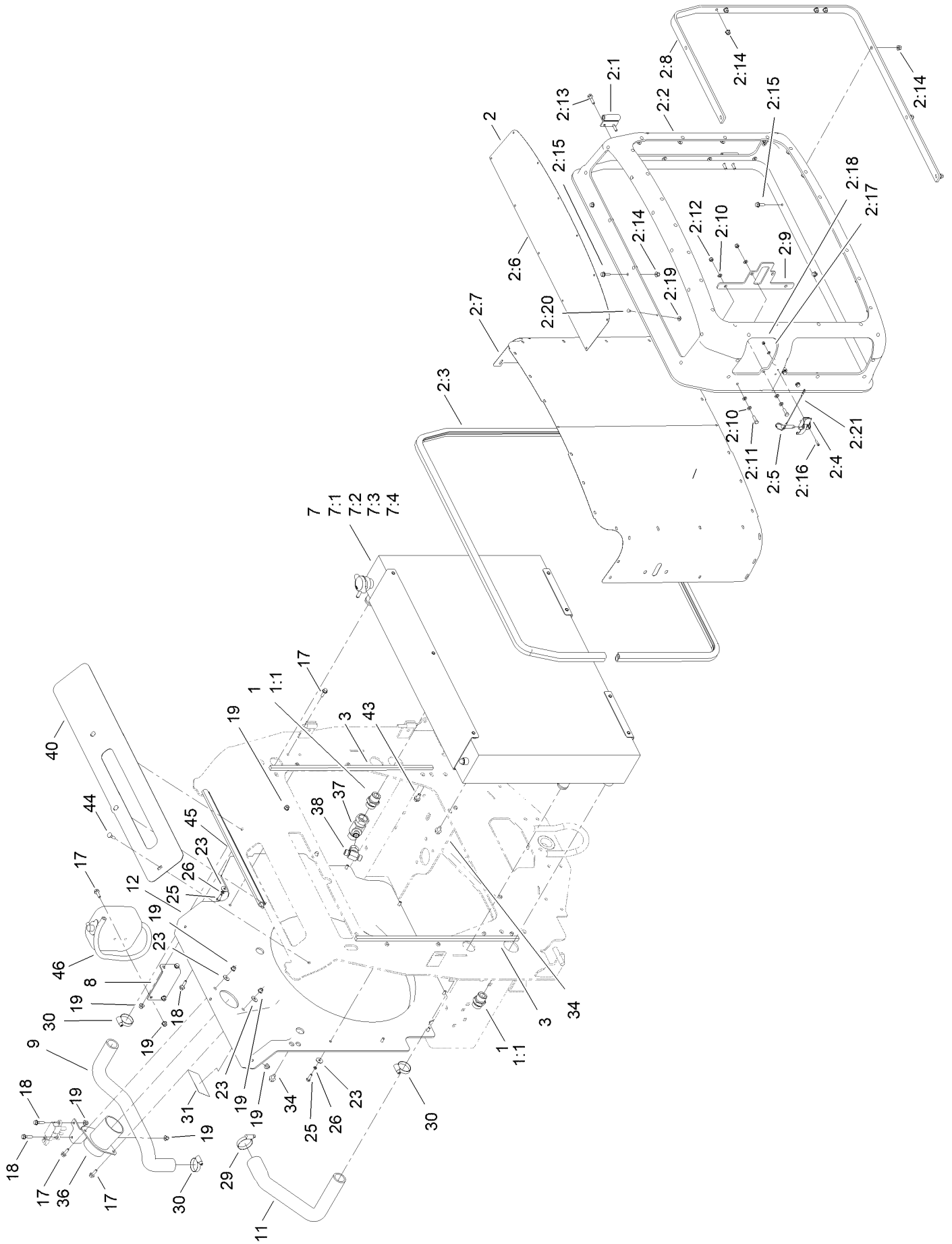
Fuel Hose Assembly



Fuel Hose Assembly (continued)

<i>Ref.</i>	<i>Part Number</i>	<i>Qty.</i>	<i>Description</i>	<i>Ref.</i>	<i>Part Number</i>	<i>Qty.</i>	<i>Description</i>
1	121-5608	1	Hose-Fuel	4	110-6146	1	Hose-Fuel
2	110-4112	1	Hose-Fuel	99	92-2379	8	Clamp-Hose
3	114-8206	1	Hose-Fuel				

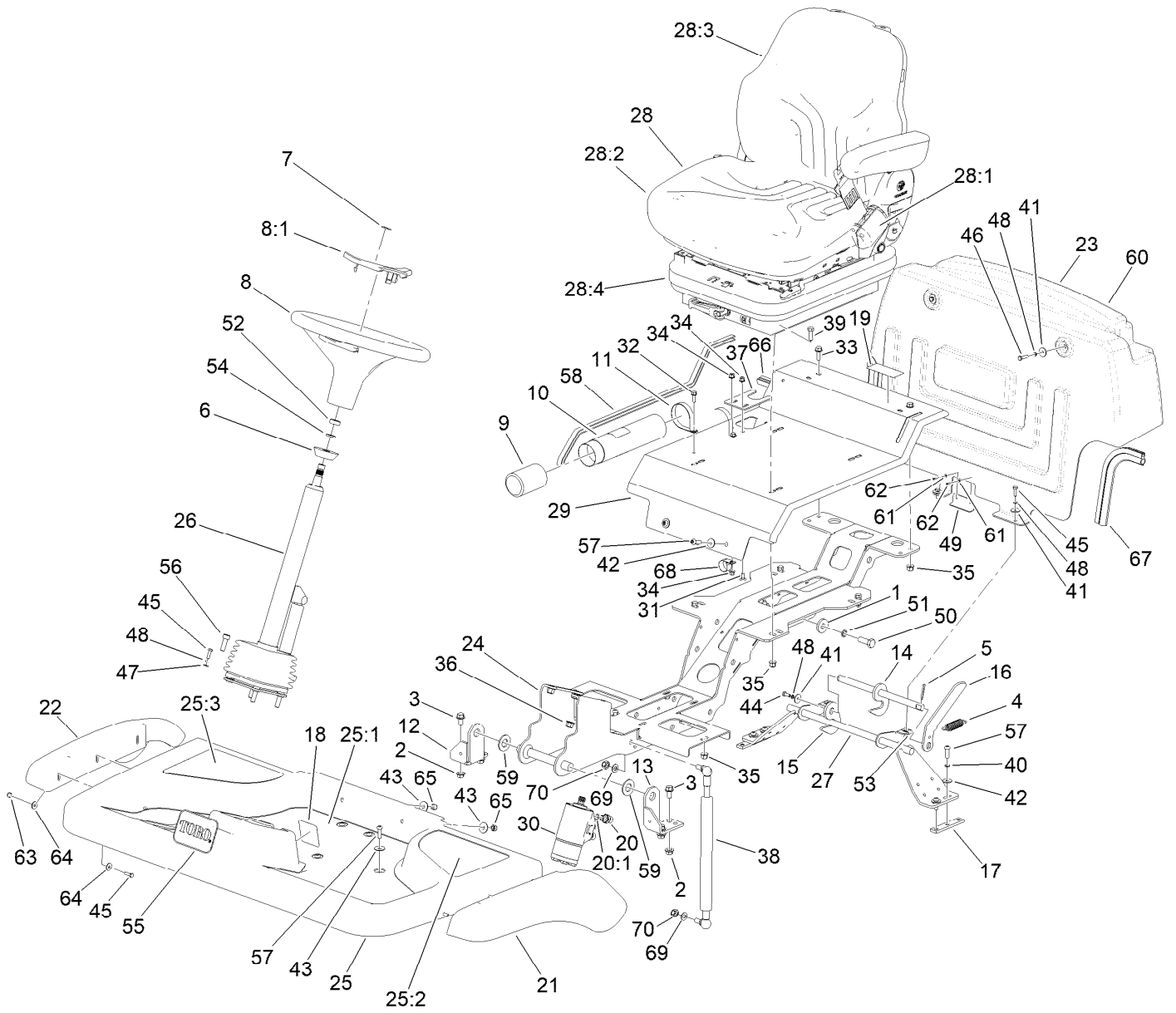
Cooling Package Assembly



Cooling Package Assembly (continued)

<i>Ref.</i>	<i>Part Number</i>	<i>Qty.</i>	<i>Description</i>	<i>Ref.</i>	<i>Part Number</i>	<i>Qty.</i>	<i>Description</i>
1	70-06-050	2	Adaptor-Boss	7:2	304-46	1	Draincock
1:1	70-06-168	1	Seal-O Ring	7:3	93-5957	1	Cap-Radiator
2	134-6428	1	Rear Screen ASM	7:4	106-6755	1	Decal-Cap, Radiator
2:1	134-3334-03	2	Hinge-Cage, Rear [black]	8	134-2335-03	1	Bracket, Expansion Bottle
2:2	134-3138	1	Cage, Rear-Screen	9	134-2526	1	Hose-Radiator, Top
2:3	70-07-070	3	Strip-Protection	11	134-3269	1	Hose-Radiator, Bottom
2:4	115-1554	1	Latch-Draw	12	134-3343	1	Cowl-Fan
2:5	115-1556	1	Pin-Ball, Detent	17	134-3740	6	Screw-HHF
2:6	134-3379-03	1	Mesh, Top	18	134-3741	3	Screw-HHF
2:7	134-3375-03	1	Mesh, Rear	19	134-3761	16	Nut-Flange, NI
2:8	134-3843-03	1	Support, Cage	23	09262	10	Washer
2:9	134-3875-03	1	Support, Latch	25	09363	8	Screw-HH
2:10	09472	12	Washer-Plain	26	09474	8	Washer-Spring
2:11	09363	4	Screw-HH	29	924437	1	Clamp-Hose
2:12	09438	4	Nut-Nyloc	30	924438	3	Clamp-Hose
2:13	134-3741	4	Screw-HHF	31	106-6754	1	Decal-Danger
2:14	134-3761	9	Nut-Flange, NI	34	3234-30	5	Screw-HHF
2:15	134-3740	5	Screw-HHF	36	134-2310-03	1	Flange-Air Intake, Welded Assy
2:16	111-3473	2	Screw-Button	37	134-1858	1	Fitting-Tee
2:17	09658	2	Washer	38	910611	1	Tee
2:18	09657	2	Nut-Insert, NI	40	134-6308-03	1	Plate Seal
2:19	09257	48	Washer	43	3234-14	2	Screw-HHF
2:20	134-3656	48	Rivet, Black	44	09735	3	Bolt Coach M6*25 Cup Sq 4.6
2:21	28-8070	1	Lanyard	45	134-6258	1	Strip-Sealing, Dx84
3	110-0969	2	Seal-Foam	46	110-4112	1	Hose-Fuel
7	120-3840	1	Oil Cooler And Radiator ASM				
7:1	281-13	1	Plug-Pipe				

Operator Area Assembly

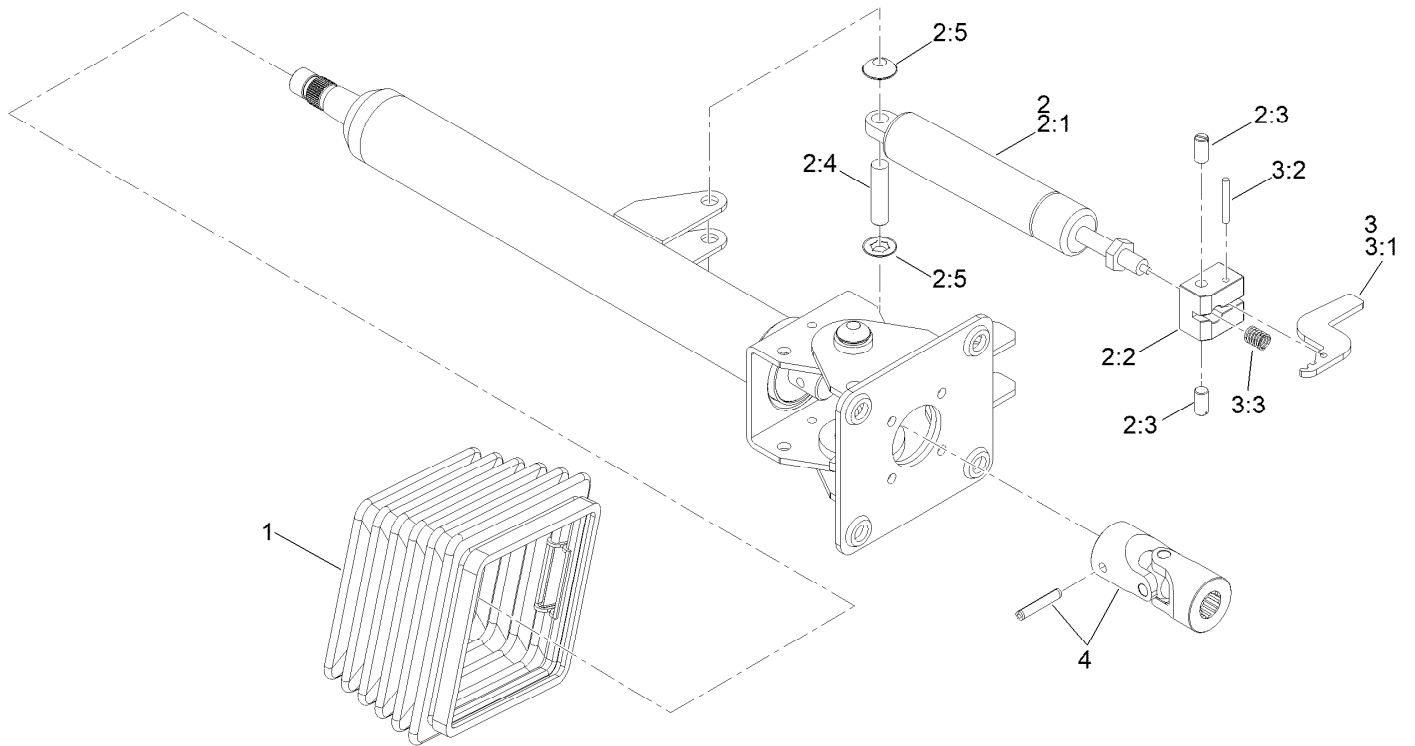


Operator Area Assembly (continued)

<i>Ref.</i>	<i>Part Number</i>	<i>Qty.</i>	<i>Description</i>	<i>Ref.</i>	<i>Part Number</i>	<i>Qty.</i>	<i>Description</i>
1	63-01-115	2	Washer	31	09570	2	Bolt-Carriage
2	63-11-015	4	Nut-Hex	32	134-3740	2	Screw-HHF
3	63-11-018	4	Screw-Durloc	33	134-3747	2	Screw-HHF
4	70-07-063	1	Spring-Extension	34	134-3761	4	Nut-Flange, NI
5	70-11-004	1	Pin-Split	35	134-3762	12	Nut-Flange, NI
6	93-5429	1	Collar-Foam	36	134-3763	4	Nut-Flange, NI
7	98-1459	1	Decal	37	134-3791-03	1	Plate, Cover
8	98-1471	1	Wheel-Steering	38	134-3839	1	Gas Strut
8:1	98-1468	1	Cover-Wheel, Steering	39	03162	4	Screw-HH
9	104-7048	1	Cap-Housing	40	03469	4	Washer-Spring
10	104-7050	1	Tube-Manual	41	09263	5	Washer
11	107-1865	2	R-Clamp	42	09267	6	Washer-Plain
12	111-2665-03	1	Bracket-Platform Pivot, RH	43	09270	8	Washer-Plain
13	111-3243-03	1	Bracket-Platform Pivot, LH	44	09362	1	Screw-HH
14	111-3266	1	Latch-Platform	45	09363	12	Screw-HH
15	111-3268	1	Latch-Plate, Platform	46	09364	2	Screw-HH
16	111-3269-03	1	Lever-Latch, Platform	47	09472	4	Washer-Plain
17	111-3281	2	Bar-Nut	48	09474	9	Washer-Spring
18	111-3562	1	Decal	49	134-5321-03	1	Plate-Cover
19	134-4539	1	Decal-Latch, Platform	50	ZDH1L035U	2	Screw-HH
20	111-4788	5	Fitting-Straight	51	09599	2	Washer-Lock
20:1	70-06-165	1	Seal-O Ring ●	52	09827	1	Nut - Jam
21	111-4921	1	Mudguard-LH	53	410076	2	Nut
22	111-4922	1	Mudguard-RH	54	HY4200	1	Washer-Spring
23	134-4202	1	Bulkhead	55	HY67-1300	1	Decal-Toro
24	134-1750-03	1	Support-Platform [black]	56	ZCS1J030U	4	Screw-HSH
25	111-9744	1	Operator Platform ASM	57	ZHS1H025U	12	Screw-HSBH
25:1	111-3506	1	Mat-Floor	58	50-08-001	2	Edging-Rubber
25:2	111-3507	1	Mat-Side, LH	59	09499	2	Washer
25:3	111-3508	1	Mat-Side, RH	60	125-4613	1	Foil-Tape
26	132-6230	1	Steering Tilt Column ASM	61	HY09697	2	Washer-Plain
27	134-2195-03	1	Latch Bar Welded Assembly	62	111-4198	2	Rivet-Pop
28	134-3681	1	Seat ASM	63	09438	6	Nut-Nyloc
28:1	111-4936	1	Retractable Seat Belt ASM	64	09262	12	Washer
28:2	111-5543	1	Cushion-Seat	65	09441	2	Nut-Hex, NI
28:3	111-5544	1	Cushion-Backrest	66	70-07-070	1	Strip-Protection
28:4	953820	1	Seat Gaiter	67	994808	1	Excluder-Draught
28:99	111-5542	1	Seat Switch Kit ●	68	2412-104	1	Clamp-R
29	134-6342-03	1	Seat Pan	69	09479	2	Washer-Plain ●
30	134-3736	1	Steering Valve	70	ZNN1J000U	2	Nut-Hex, NI ●
30:1	106-6716	1	Seal Kit ●				

● Not illustrated

Steering Column Assembly No. 132-6230

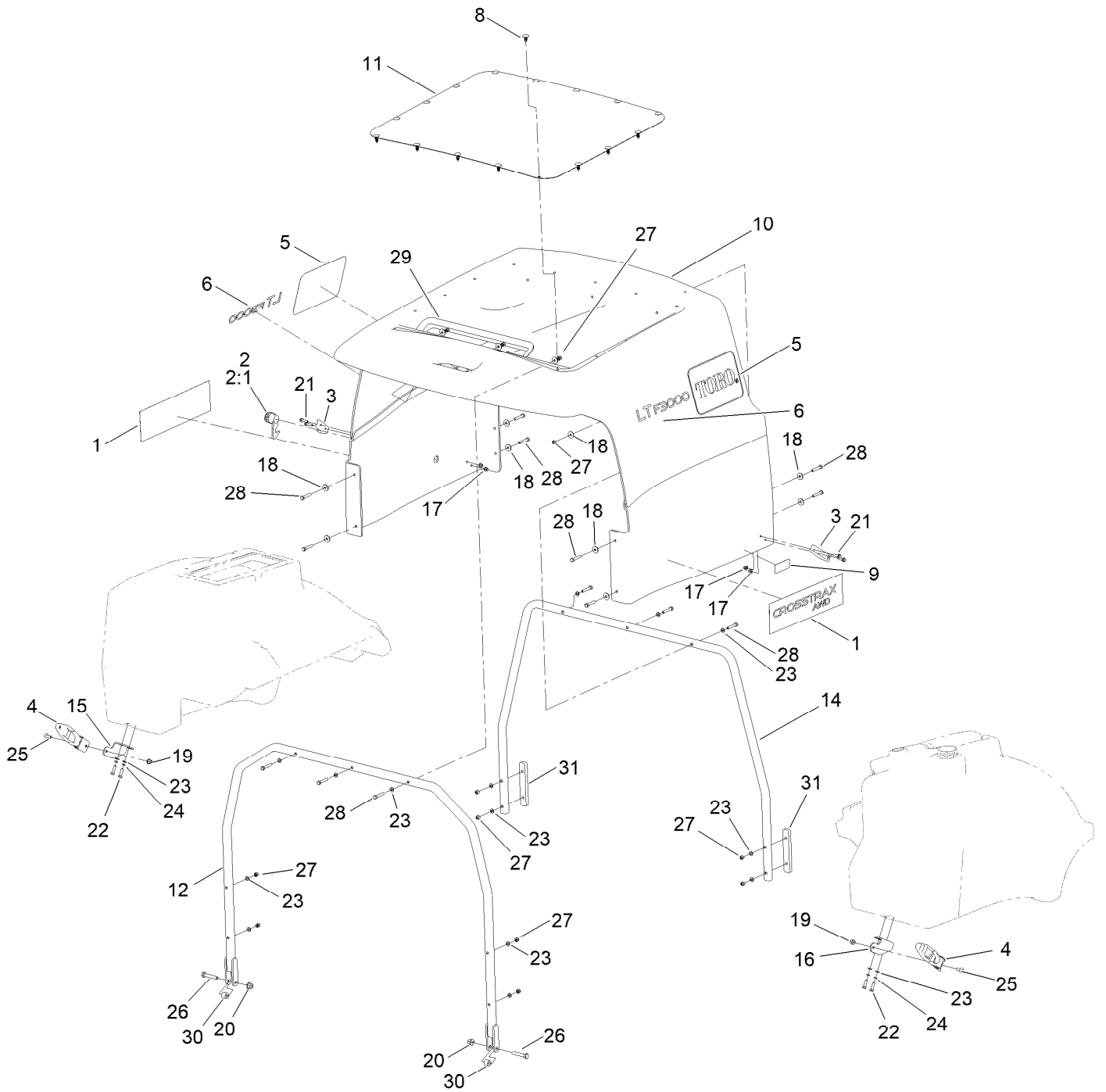


Steering Column Assembly No. 132-6230 (continued)

<i>Ref.</i>	<i>Part Number</i>	<i>Qty.</i>	<i>Description</i>	<i>Ref.</i>	<i>Part Number</i>	<i>Qty.</i>	<i>Description</i>
1	110-6462	1	Bellows-Rubber	2:5		2	Washer-Lock ●
2	110-6463	1	Cylinder Service Kit	3	136-4385	1	Pedal Service Kit
2:1		1	Cylinder-Gas ●	3:1		1	Pedal ●
2:2		1	Block-Pedal ●	3:2		1	Pin ●
2:3		2	Bolt ●	3:3		1	Spring ●
2:4		1	Pin ●	4	120-6256	1	Universal Joint Kit

● Not serviced separately

Engine Cover Assembly

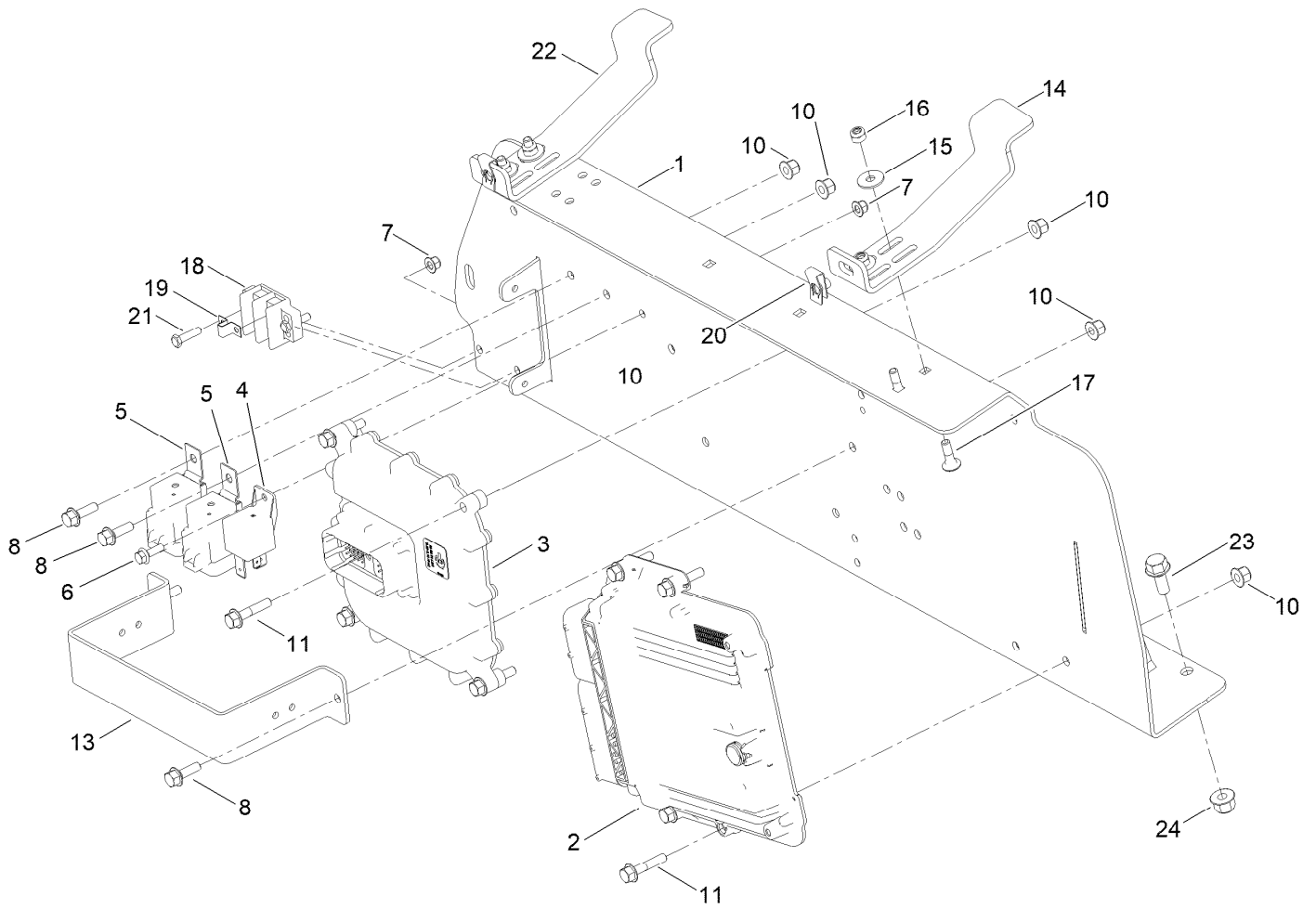


Engine Cover Assembly (continued)

<i>Ref.</i>	<i>Part Number</i>	<i>Qty.</i>	<i>Description</i>	<i>Ref.</i>	<i>Part Number</i>	<i>Qty.</i>	<i>Description</i>
1	110-8859	2	Decal	18	09262	14	Washer
2	98-5398	1	Latch	19	134-3761	2	Nut-Flange, NI
2:1	3218-20	1	Nut-Jam ●	20	134-3762	2	Nut-Flange, NI
3	103-2897	2	Latch-Catch	21	134-3766	4	Screw-HHF
4	103-2898	2	Latch-Rubber	22	09363	4	Screw-HH
5	111-3728	2	Decal	23	09472	18	Washer-Plain
6	134-4842	2	Decal - Lt3340	24	09474	4	Washer-Spring
8	117-2382	16	Plug-Plastic	25	09784	2	Screw-Soc, HD
9	127-0392	1	Decal-Hot Surface	26	09654	2	Bolt
10	134-2495	1	Cover, Engine	27	09438	14	Nut-Nyloc
11	134-2517-03	1	Screen, Top	28	09645	14	Setscrew-HH
12	134-3390-03	1	Tube-Rear, Engine Cover Assy	29	134-6258	1	Strip-Sealing, Dx84
14	134-4896-03	1	Tube-Front, Engine Cover	30	134-6274	2	Spacer, Round
15	134-3406-03	1	Bracket, Cover Latch LH	31	134-6092-03	2	Packer, Engine Cover
16	134-3407-03	1	Bracket-Cover Latch RH	99	111-7488	3	Seal-Cover, Screen ●
17	134-3738	4	Nut-Flange, NI	99	125-4613	1	Foil-Tape ●

● Not illustrated

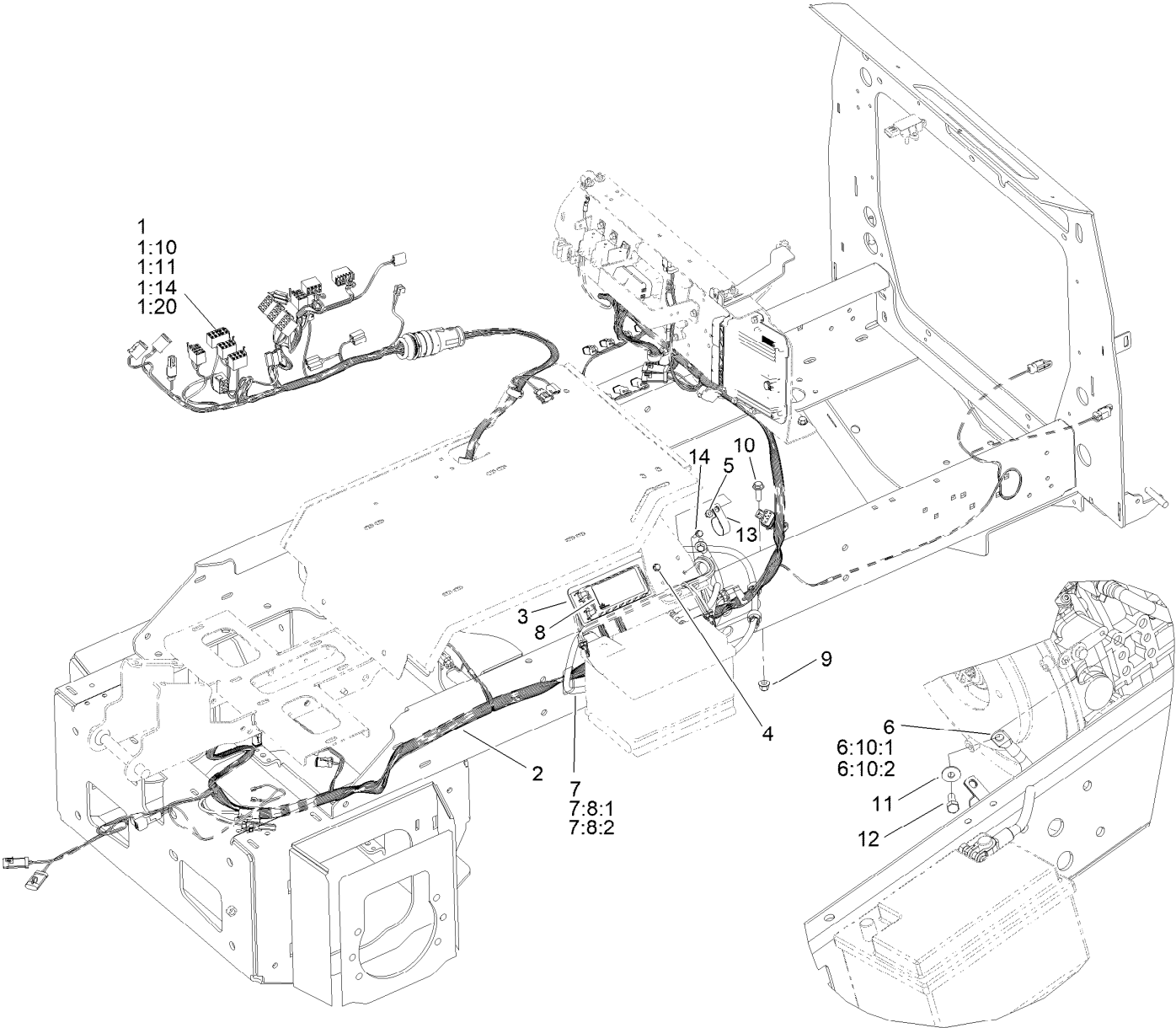
Electrical Bulkhead Assembly



Electrical Bulkhead Assembly (continued)

<i>Ref.</i>	<i>Part Number</i>	<i>Qty.</i>	<i>Description</i>	<i>Ref.</i>	<i>Part Number</i>	<i>Qty.</i>	<i>Description</i>
1	134-4240-03	1	Bulkhead-Electrical [black]	15	09262	4	Washer
2	121-5592	1	Electronic Control Unit	16	09438	4	Nut-Nyloc
3	127-2770	1	Controller	17	09668	4	Bolt-Coach
4	99-7435	1	Relay	18	42862	1	Block-Terminal, Ground
5	99-7430	2	Relay-Mini	19	42863	1	Strip-Jumper
6	134-3737	1	Screw-HHF	20	410076	2	Nut
7	134-3738	3	Nut-Flange, NI	21	ZDH1E020U	2	Screw-HH
8	134-3740	4	Screw-HHF	22	134-5354-03	1	Support-Bulkhead
10	134-3761	12	Nut-Flange, NI	23	134-3746	3	Screw-HHF
11	134-3742	8	Screw-HHF	24	134-3762	3	Nut-Flange, NI
13	134-4254-03	1	Plate-Protector				
14	134-6227-03	1	Bracket-Support, Bulkhead LH				

Console and Main Wiring Harness Assembly



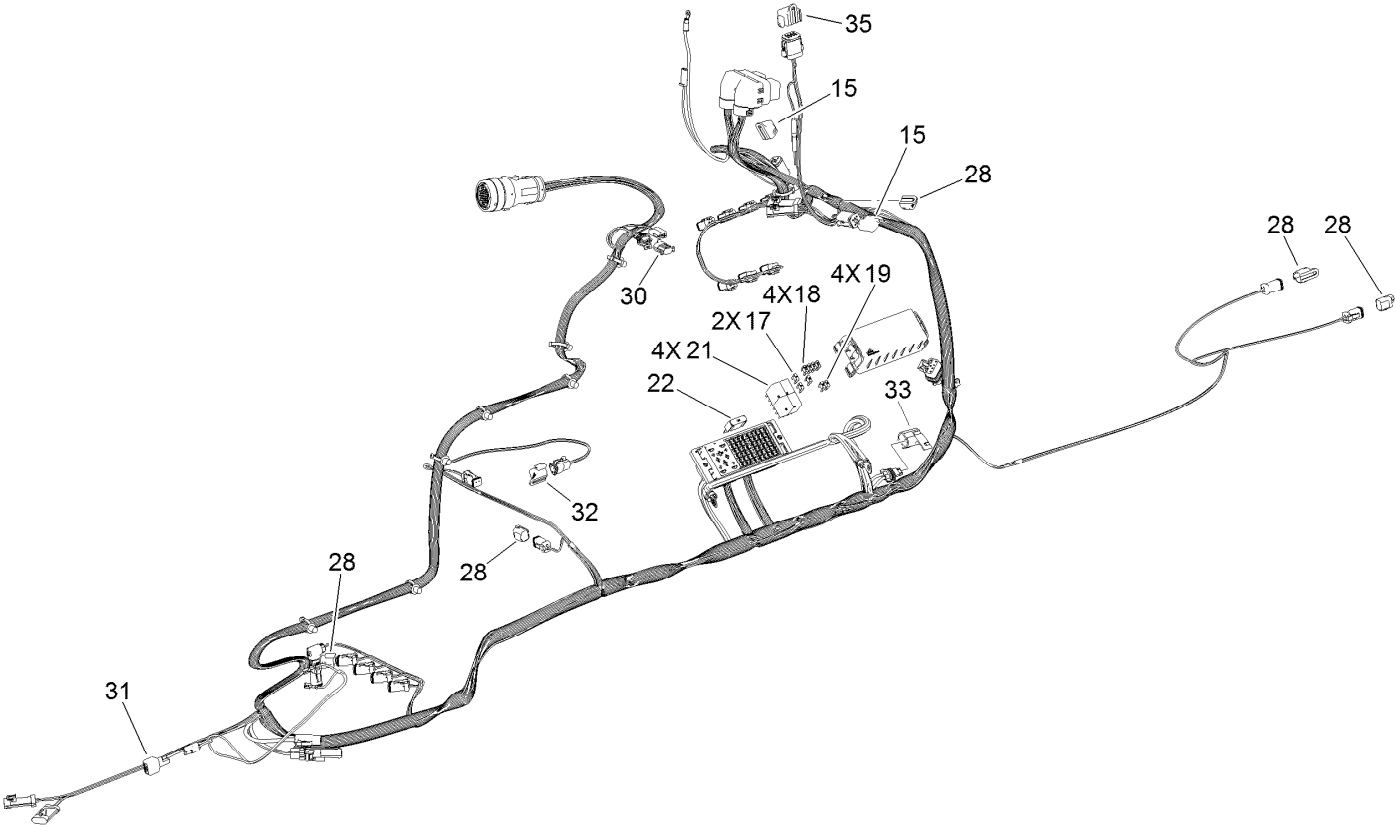
Console and Main Wiring Harness Assembly (continued)

<i>Ref.</i>	<i>Part Number</i>	<i>Qty.</i>	<i>Description</i>	<i>Ref.</i>	<i>Part Number</i>	<i>Qty.</i>	<i>Description</i>
1	122-1214	1	Harness-Wire, Console	6:10:2	32180-108	2	Nut-Hex Shoulder
1:10	32180-135	1	Nut-Connector	7	122-1275	1	Cable-Battery, Positive ASM
1:11	32180-143	1	Washer-Lock	7:1	32180-115	1	Panduit, Cable Tie ●
1:14	32180-089	1	Cap-Plug, 3 Way	7:8		1	Bolt ASM ●■
1:20	32180-282	1	Resistor-120 Ohm	7:8:1	32180-107	1	Bolt-Clamp, Battery
2	122-1215	1	Harness-Wire, Main	7:8:2	32180-108	2	Nut-Hex Shoulder
3	134-2911-03	1	Plate Fuse Box	8	134-1829	1	Decal-Fuses
4	134-3740	1	Screw-HHF	9	134-3763	1	Nut-Flange, NI
5	134-3761	2	Nut-Flange, NI	10	134-3752	1	Screw-HHF
6	122-1276	1	Cable-Battery, Negative ASM	11	09267	1	Washer-Plain
6:1	32180-115	1	Panduit, Cable Tie ●	12	09368	1	Screw-HH
6:10		1	Bolt ASM ●■	13	2412-74	1	R-Clamp
6:10:1	32180-107	1	Bolt-Clamp, Battery	14	134-3741	1	Screw-HHF

● Not illustrated

■ Not serviced separately

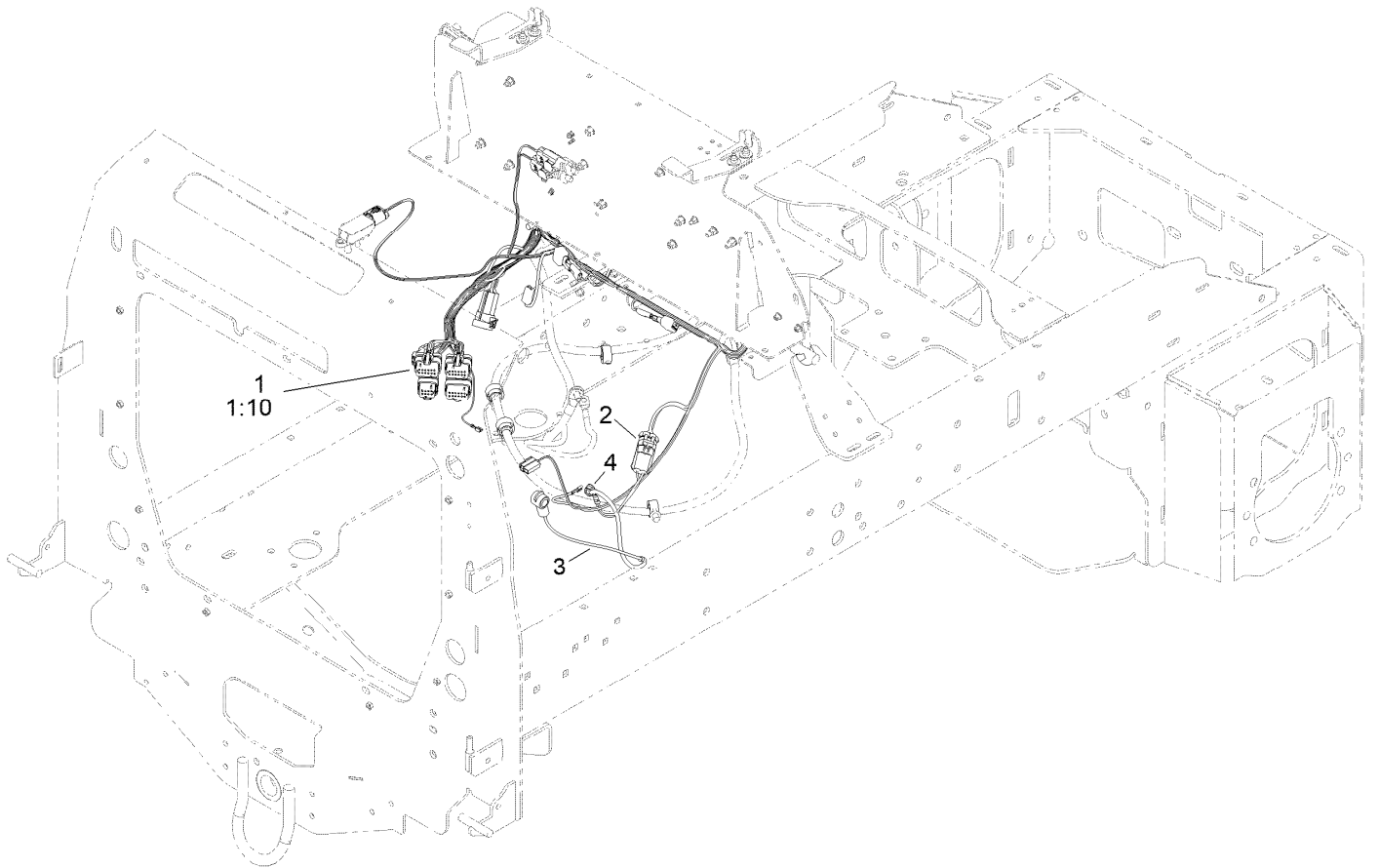
Main Wire Harness Assembly No. 122-1215



Main Wire Harness Assembly No. 122-1215 (continued)

<i>Ref.</i>	<i>Part Number</i>	<i>Qty.</i>	<i>Description</i>	<i>Ref.</i>	<i>Part Number</i>	<i>Qty.</i>	<i>Description</i>
15	32180-156	2	Cap-Plug, 6 Way	28	32180-091	5	Cap-Dust, 2 Way
17	121-8861	2	Fuse-Mini Blade, 2 Amp	30	32180-056	1	Cap
18	121-8865	4	Fuse-Mini Blade, 7.5 Amp	31	100-4918	1	Diode
19	121-8866	4	Fuse-Mini Blade, 10 Amp	32	32180-089	1	Cap-Plug, 3 Way
21	122-0368	4	Relay-280 ISO	33	32180-101	1	Cover-Fuse, Single
22	114-3342	1	Fuse-Maxi, 60 Amp	35	32180-201	1	Cap-Plug

Engine Wiring Harness Assembly



Engine Wiring Harness Assembly (continued)

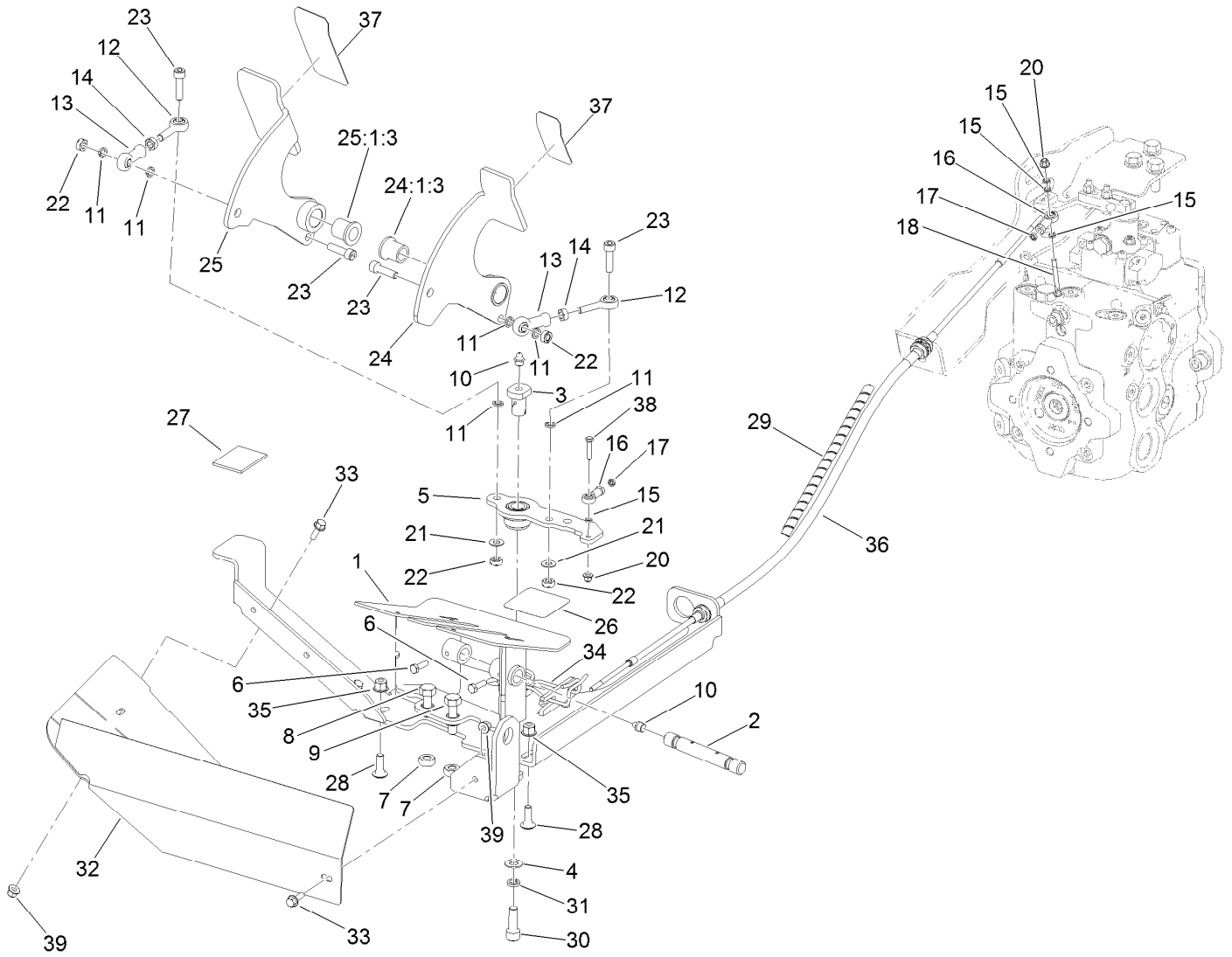
<i>Ref.</i>	<i>Part Number</i>	<i>Qty.</i>	<i>Description</i>	<i>Ref.</i>	<i>Part Number</i>	<i>Qty.</i>	<i>Description</i>
1	122-1213	1	Harness-Wire, Engine	2	108-9470	1	Harness-Wire, Fusible Link
1:10	100-4918	2	Diode	3	100-5552	1	Harness-Wire
1:22	32160-359	1	Connector (6M) ●	4	112-2844	1	Nut-HF
1:23	32180-103	1	Clip-Connector ●				

● Not illustrated

Control Arm Assembly (continued)

<i>Ref.</i>	<i>Part Number</i>	<i>Qty.</i>	<i>Description</i>	<i>Ref.</i>	<i>Part Number</i>	<i>Qty.</i>	<i>Description</i>
1	17-7190	1	Spacer-Finger	23	121-1630	1	Plate-Cover
2	80-9330	1	Audio Alarm ASM	24	121-5159	1	Switch-Ignition
2:1	104-5107	1	Nut-Plastic, Knurled	24:1	121-5160	1	Nut-Hex
3	94-2413	5	Nut-U	24:2	122-2704	1	Nut-Face, M22 (Plastic)
4	99-7411	1	Point-Power	24:3	121-5162	1	Set-Key, Ignition
5	99-7416	1	Cap	25	134-0455-03	1	Control Panel ASM [black]
6	100-1535	1	Switch-Rocker, (On)-Off-(On)	26	134-0456	1	Panel ASM
7	104-2065	10	Screw-HWH	27	134-3472-03	1	Support, Control Arm
8	104-8300	6	Nut-HF, NI	28	134-3474-03	1	Plate, Support
9	108-7602	1	Rest-Arm	29	134-3476-03	1	Cover, Control-Arm
10	108-7604	1	Cover-LH	30	134-3700-03	1	Support, Control-Arm [black]
11	108-7605	1	Cover-RH	31	134-3748	2	Screw-HHF
12	108-8646	1	Screw-HH, Lock	32	134-3762	2	Nut-Flange, NI
14	111-2254	1	Switch-Rocker, On-None-On	33	2412-74	1	R-Clamp
15	111-2337	5	Blank-Switch	34	3212-8	1	Screw-HH
16	111-2956	3	Switch-Lift	35	3230-22	3	Screw-CARR
17	122-2108	1	Switch-Rocker, On-Off-On	36	106-9518	2	Screw-PRH
18	134-1827	1	Decal-Console, Lift	37	3234-5	6	Screw-HHF
19	112-3313	1	Nut-Weatherproof	38	3250-22	1	Screw-PPH
20	112-3324	1	Switch-Horn	39	3256-25	2	Washer-Flat
21	112-7405	1	Nut-Hex, Coupling	40	3296-12	1	Nut-Lock, NI
22	120-6310	1	LCD Display ASM	41	32144-18	2	Screw-HWH
22:1	120-4630	1	Nut-Display	42	107069	2	Clip
22:2	120-6311	1	Decal-Display	43	09475	1	Washer
				44	99-8970	1	Key-Latch, Hood

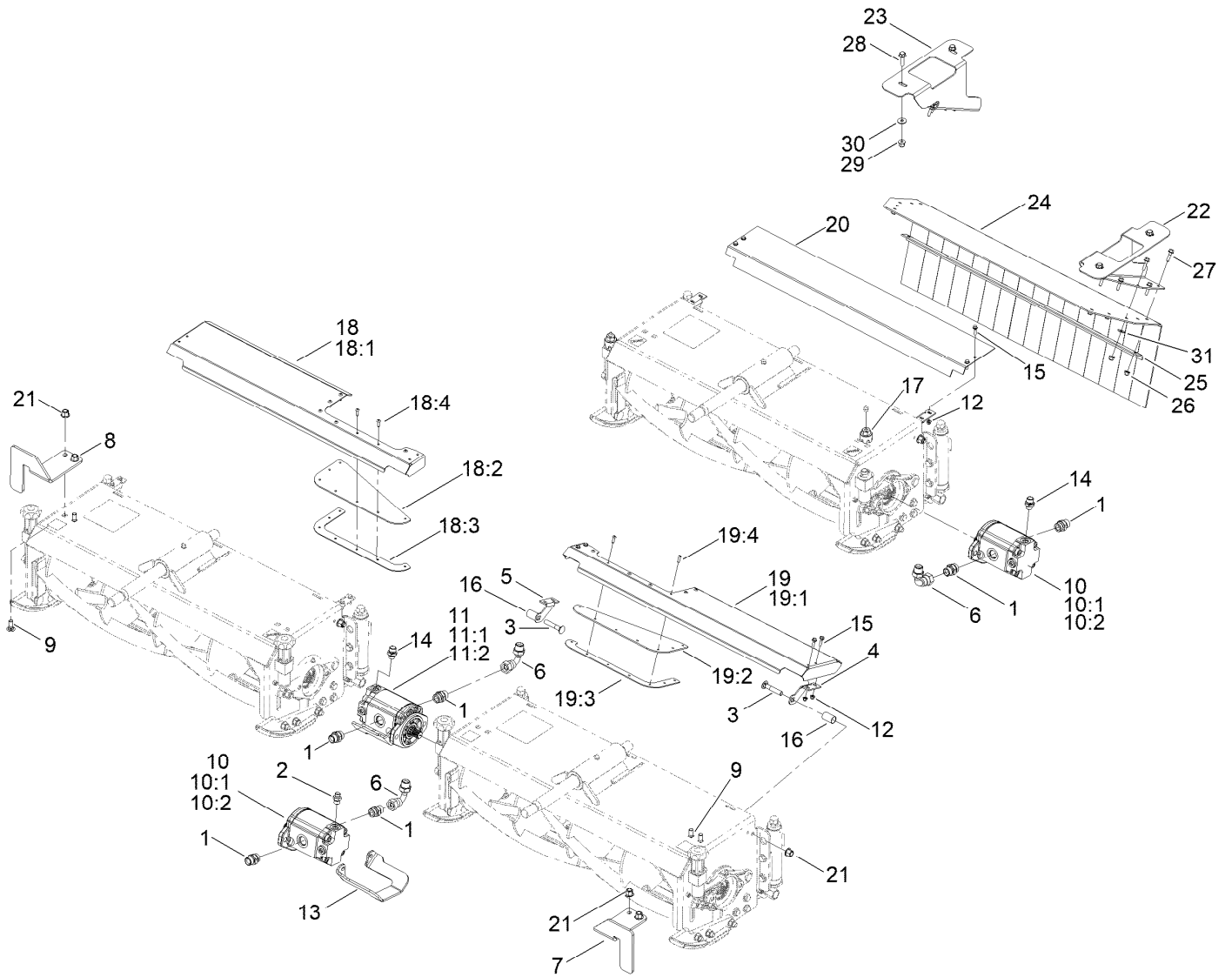
Control Pedals Assembly



Control Pedals Assembly (continued)

<i>Ref.</i>	<i>Part Number</i>	<i>Qty.</i>	<i>Description</i>	<i>Ref.</i>	<i>Part Number</i>	<i>Qty.</i>	<i>Description</i>
1	134-1560-03	1	Mount-Pedal, Welded Assembly	22	ZNB1H000U	4	Nut
2	111-1310	1	Pin-Control, Pedal	23	ZCS1H030U	4	Screw-Cap
3	111-7122	1	Boss-Pedal, Link	24	111-9244-03	1	Reverse Pedal ASM
4	09479	1	Washer-Plain	24:1:3	953868	1	Bushing-Flange, Oilite
5	134-1565-03	1	Link - Pedal, [black]	25	111-9243-03	1	Forward Pedal ASM
6	09363	2	Screw-HH	25:1:3	953868	1	Bushing-Flange, Oilite
7	09449	2	Nut	26	111-3567	1	Decal-Pedal, Operation
8	09392	1	Screw-HH	27	HY910808	1	Strip-Neoprene
9	09611	1	Bolt-HH	28	09373	3	Bolt-Coach
10	10-11-017	2	Fitting-Straight	29	111-6133	1	Guard-Spiral
11	111-6948	6	Washer-Spring	30	ZCS1J030U	1	Screw-HSH
12	111-6147	2	Rod End	31	09480	1	Washer-Lock
13	111-2896	2	Rod-End, Female	32	134-4884-03	1	Deflector-Grass, RH
14	ZNH1H000U	2	Nut-Hex	33	134-3740	3	Screw-HHF
15	09644	4	Washer-Spring	34	134-1557	1	Spring-Return, Pedals
16	953891	2	M5 Rose Joint	35	134-3762	3	Nut-Flange, NI
17	09746	2	Nut-Lock	36	134-1575	1	Cable-Control
18	134-6318	1	Screw-HH	37	70-07-067	1	Tape-Slip, Anti
20	134-3738	2	Nut-Flange, NI	38	09806	1	Setscrew
21	09475	2	Washer	39	134-3761	3	Nut-Flange, NI

Cutterhead Assembly

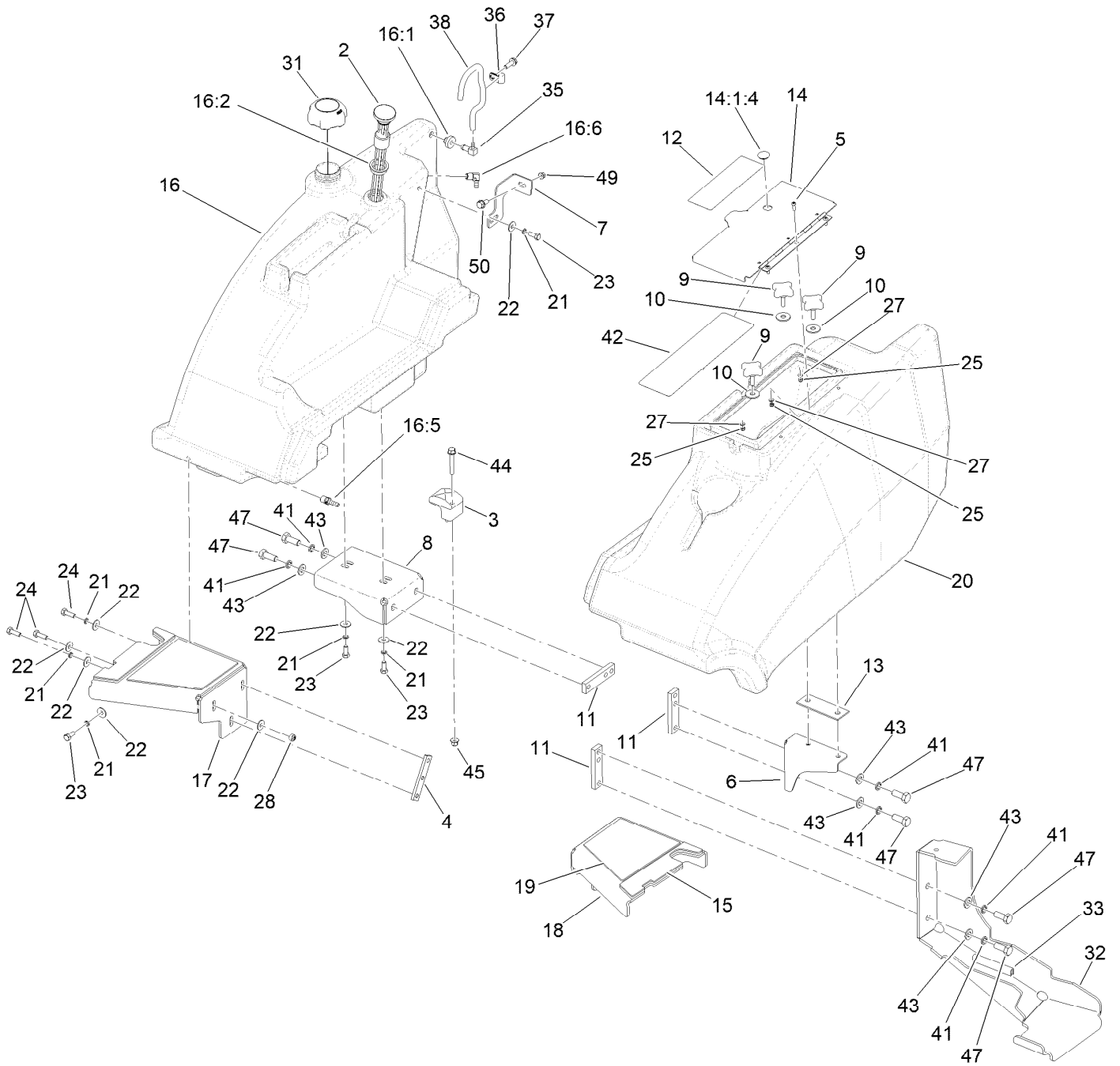


Cutterhead Assembly (continued)

<i>Ref.</i>	<i>Part Number</i>	<i>Qty.</i>	<i>Description</i>	<i>Ref.</i>	<i>Part Number</i>	<i>Qty.</i>	<i>Description</i>
1	63-06-104	6	Adaptor-BSP	18:1	111-7265-03	1	Deflector-Grass, Cutter (RH)
1:1	63-06-111	1	Seal-O Ring	18:2	111-6870	1	Panel-Rubber
2	70-06-054	1	Adaptor	18:3	111-6871-03	1	Retainer
3	ZBK1J055U	6	Bolt-CARR	18:4	09320	7	Rivet
4	876041	3	Bracket-Deflector, LH	19	111-7648	1	Shield ASM
5	876042	3	Bracket-Deflector, RH	19:1	111-7266-03	1	Deflector-Grass, Cutter (LH)
6	25-06-066	3	Elbow-BSP	19:2	111-6870	1	Panel-Rubber
7	876086W	1	Guard-HOC, LH	19:3	111-6871-03	1	Retainer
8	876087W	1	Guard-HOC, RH	19:4	09320	7	Rivet
9	15-11-003	4	Bolt-CARR	20	876040W	1	Deflector-Rear
10	134-4582	2	Motor-Cutter, Clockwise	21	134-3763	10	Nut-Flange, NI
10:1	111-8146	1	Seal Kit	22	134-4571-03	1	Mount, Centre Skirt LH
10:2	107-7820	1	Valve-Relief	23	134-4572-03	1	Mount, Centre Skirt RH
11	134-4583	1	Motor-Cutter, CCW	24	111-6173	1	Deflector-Chassis, Wide
11:1	111-8146	1	Seal Kit	25	111-7477-03	1	Strap-Deflector, Chassis
11:2	107-7820	1	Valve-Relief	26	134-3761	10	Nut-Flange, NI
12	134-3738	12	Nut-Flange, NI	27	134-3741	10	Screw-HHF
13	111-7462-03	2	Guard-Motor	28	134-3748	4	Screw-HHF
14	111-4788	2	Fitting-Straight	29	134-3762	4	Nut-Flange, NI
14:1	70-06-165	1	Seal-O Ring ●	30	09267	4	Washer-Plain
15	134-3766	12	Screw-HHF	31	09262	8	Washer
16	876049	6	Spacer-Deflector	99	HY922101	1	Spanner-Adjuster, Cutterhead ●
17	111-3927	2	Boss-Adjuster				
18	111-7649	1	Shield ASM				

● Not illustrated

Fuel Tank and Storage Pod Assembly

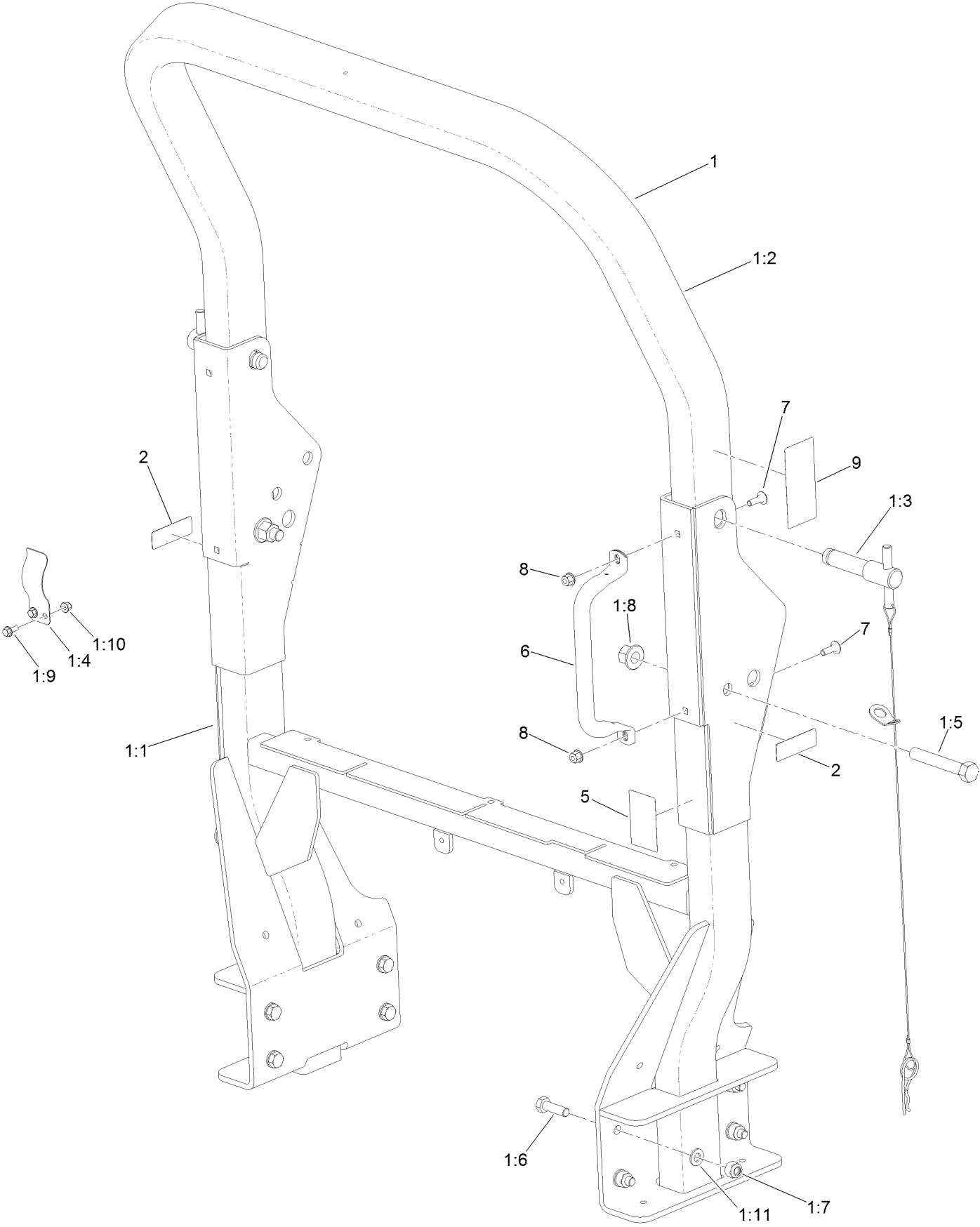


Fuel Tank and Storage Pod Assembly (continued)

<i>Ref.</i>	<i>Part Number</i>	<i>Qty.</i>	<i>Description</i>	<i>Ref.</i>	<i>Part Number</i>	<i>Qty.</i>	<i>Description</i>
2	104-5603	1	Gauge-Level, Fuel	19	134-2431	2	Pad-Support, Inside
3	107-4543	1	Clamp	20	134-2490	1	Pod-Storage
4	111-3281	2	Bar-Nut	21	03469	8	Washer-Spring
5	111-3381	3	Screw-HSBH	22	09267	12	Washer-Plain
6	111-3424-03	1	Bracket-Pod, Storage	23	09368	4	Screw-HH
7	134-4553-03	1	Bracket, Fuel Tank-Mount	24	03162	6	Screw-HH
8	134-0248-03	1	Bracket, Fuel Tank	25	09430	3	Nut-Nyloc
9	111-3666	3	Handwheel	27	09470	3	Washer
10	111-7658	3	Washer 10.5 DIA X 30 O/D X 2.5	28	09441	2	Nut-Hex, NI
11	111-4490	3	Bar-Nut	31	138-3795	1	Fuel Cap ASM
12	134-4280	1	Decal - Warning, Inclines	32	134-2450-01	1	Footstep Welded Assembly
13	111-5388	1	Pad-Rubber, Storage Pod	33	50-08-001	1	Edging-Rubber
14	111-7242-03	1	Cover-Storage	35	104-5228	1	Fitting-Elbow, 90 DEG
14:1:4	134-2164	1	Plug-Lid, Storage	36	2412-93	1	Clamp-R
15	111-9044	2	Pad-Support, Outer	37	09787	1	Screw-Taptite
16	134-8462	1	Kit-Fuel Tank(Lt/Ltf)	38	110-8181	1	Hose-Fuel
16:1	46-6560	1	Bushing	41	09599	6	Washer-Lock
16:2	95-8972	1	Grommet	42	134-7637	1	Decal-Maintenance
16:5	115-1448	1	Fitting-Straight	43	HY09485	6	Washer-Plain
16:6	353-781	1	Fitting-HYD, 90	44	134-3749	1	Screw-HHF
17	134-2418-03	1	Support-Platform, ASM [black]	45	134-3762	1	Nut-Flange, NI
18	134-2419-03	1	Support-Platform, ASM [black]	47	09415	6	Screw-HH
				49	134-3761	1	Nut-Flange, NI
				50	134-3746	1	Screw-HHF
				99	70-07-067	1	Tape-Slip, Anti ●

● Not illustrated

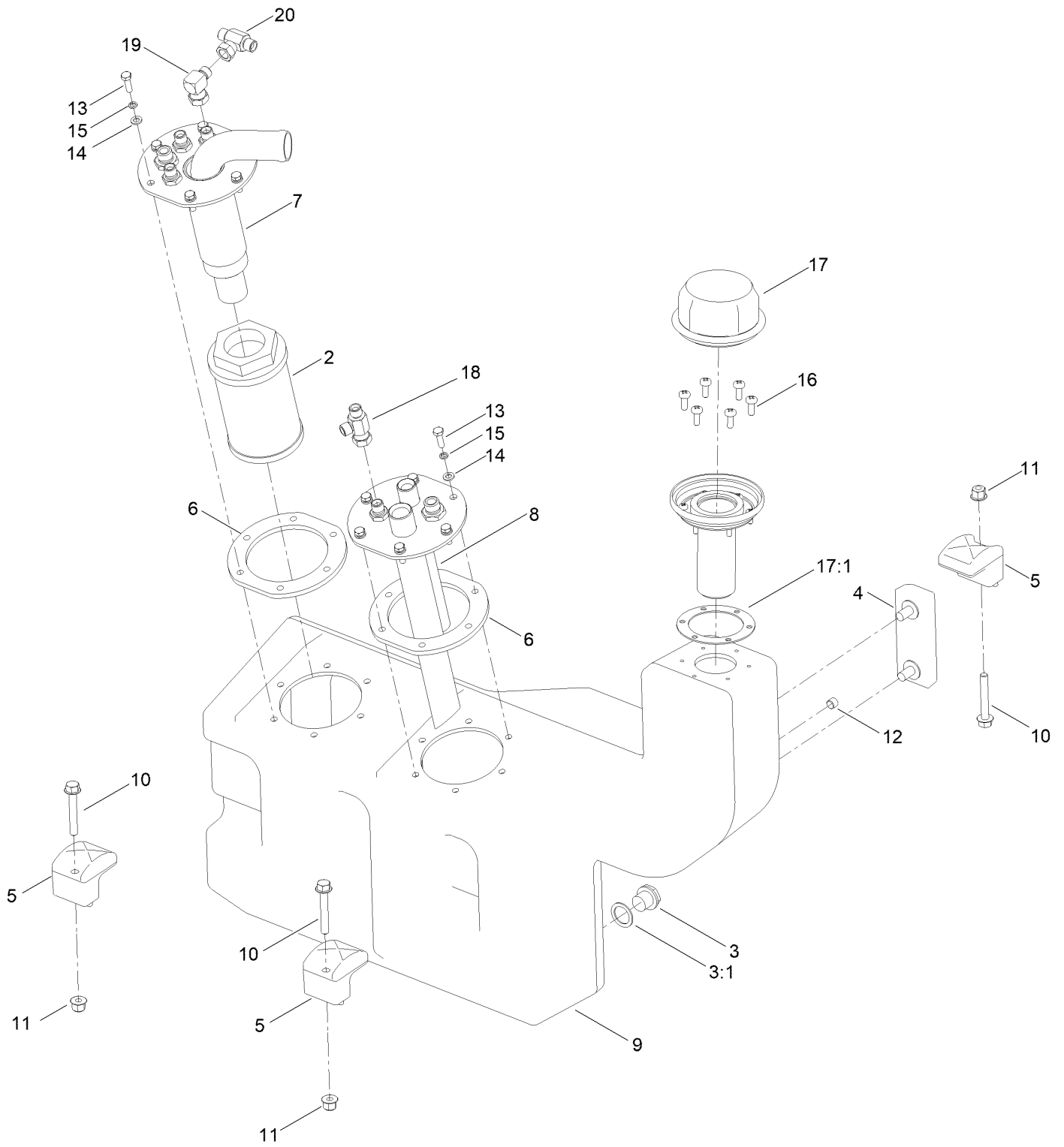
ROPS Assembly



ROPS Assembly (continued)

<i>Ref.</i>	<i>Part Number</i>	<i>Qty.</i>	<i>Description</i>	<i>Ref.</i>	<i>Part Number</i>	<i>Qty.</i>	<i>Description</i>
1	134-4535	1	ROPS ASM	1:9	134-3739	4	Screw-HHF
1:1	134-3285-03	1	ROPS-Lower, Welded Assembly	1:10	134-3761	4	Nut-Flange, NI
1:2	111-8040-03	1	ROPS-Upper	1:11	HY09485	16	Washer-Plain
1:3	111-9280	2	Pin Assembly	2	120-0625	2	Decal-Warning
1:4	110-5696	2	Spring-Leaf	5	134-4671	1	Label, ROPS
1:5	ZBH1P100U	2	Bolt	6	134-2022-03	1	Handle-ROPS
1:6	63-11-010	8	Bolt-HH	7	09373	2	Bolt-Coach
1:7	111-9291	8	Nut-Hex, Nyloc	8	134-3762	2	Nut-Flange, NI
1:8	134-3765	2	Nut-Flange, NI	9	134-4281	1	Decal-Warning, ROPS

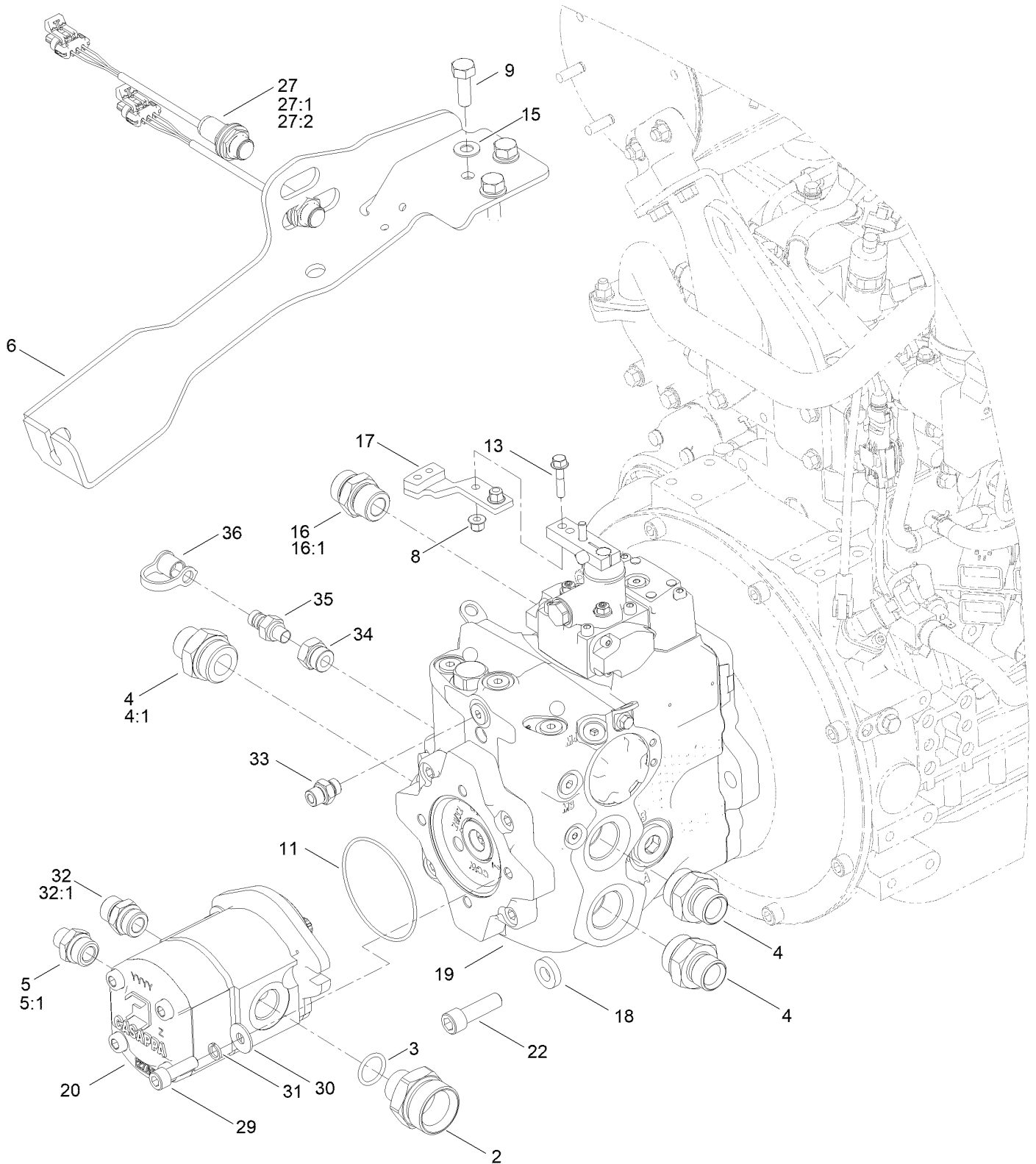
Hydraulic Oil Tank Assembly



Hydraulic Oil Tank Assembly (continued)

<i>Ref.</i>	<i>Part Number</i>	<i>Qty.</i>	<i>Description</i>	<i>Ref.</i>	<i>Part Number</i>	<i>Qty.</i>	<i>Description</i>
2	10-06-025	1	Filter-Suction	12	285-17	1	Plug-Pipe
3	20-06-207	1	Plug-Magnetic	13	09363	12	Screw-HH
3:1	111-7925	1	Washer-Fiber	14	09472	12	Washer-Plain
4	65-06-018	1	Gauge-Level, Oil	15	09474	12	Washer-Spring
5	107-4543	3	Clamp	16	09634	6	Screw-PPH, HD
6	111-9531	2	Gasket-Flange	17	HY910601	1	Cap-Breather, Filler
7	111-9532	1	Flange-Suction	17:1	910648	1	Cap-Gasket, Filler
8	134-6345	1	Flange Return	18	10-06-083	1	Fitting-Tee
9	111-9528	1	Tank-Oil, Hydraulic	19	31-06-004	1	Elbow-Compact
10	134-3749	3	Screw-HHF	20	60-06-011	1	Tee-BSP
11	134-3762	3	Nut-Flange, NI				

Transmission and Cutter Pump Assembly

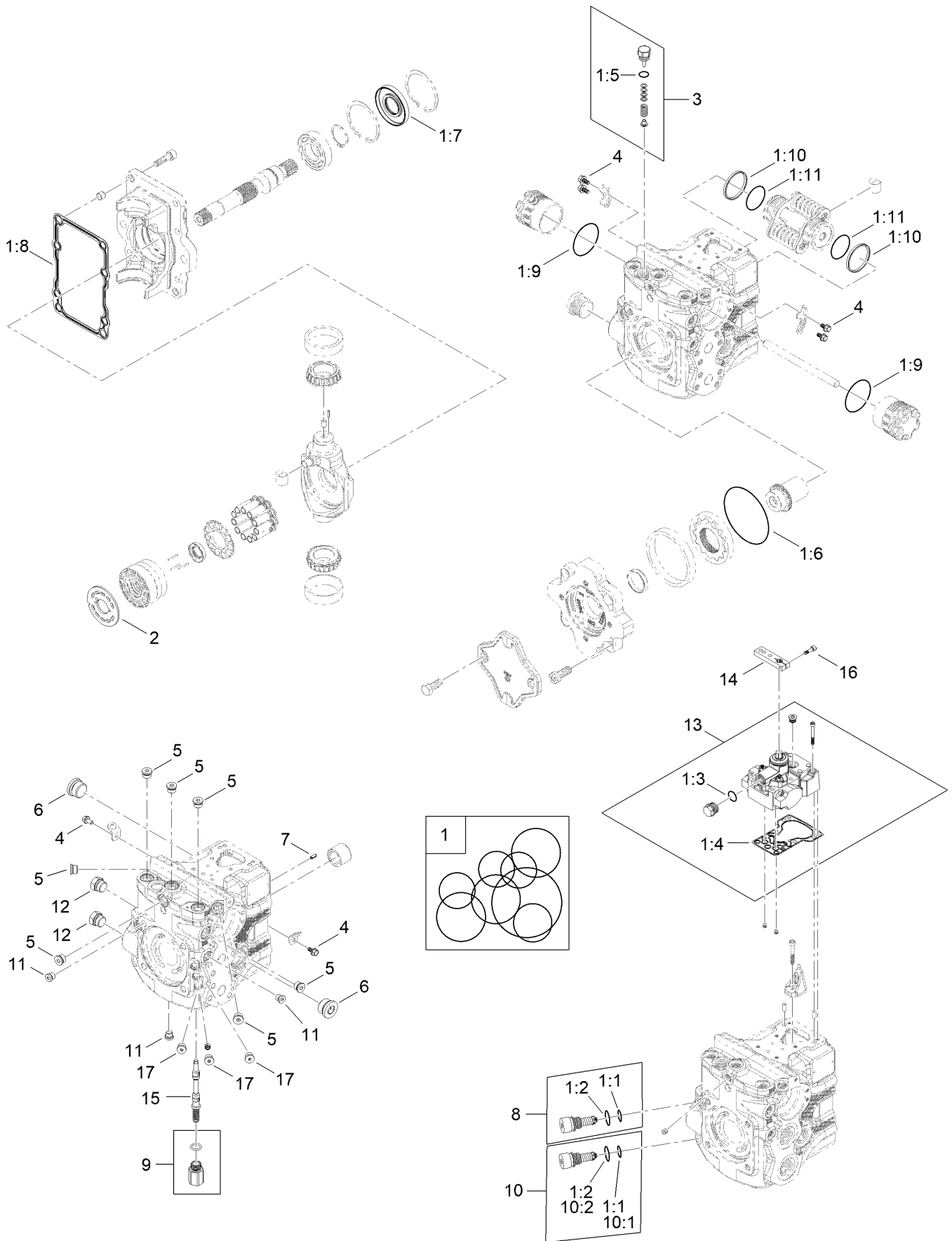


Transmission and Cutter Pump Assembly (continued)

<i>Ref.</i>	<i>Part Number</i>	<i>Qty.</i>	<i>Description</i>	<i>Ref.</i>	<i>Part Number</i>	<i>Qty.</i>	<i>Description</i>
2	134-0023	1	Adaptor M/M	20	111-7444	1	Gear Pump ASM
3	70-06-168	1	Seal-O Ring	20:1	134-2157	1	Seal Kit ●
4	70-06-063	3	Adaptor	22	09694	2	Screw Soc HD Cap M12*40 Raw
4:1	70-06-169	1	Seal-O Ring O Ring	27	115-5300	2	Proximity Switch ASM
5	70-06-053	1	Adaptor-Boss	27:1	117-3207	2	Nut-Hex
5:1	63-06-111	1	Seal-O Ring	27:2	117-3208	2	Washer-Lock, Internal Tooth
6	134-4716-03	1	Bracket-Pump Control	29	111-9168	2	Screw-Sh
8	134-3761	2	Nut-Flange, NI	30	HY03355	2	Washer-Plated
9	09392	3	Screw-HH	31	09273	2	Washer-Spring
11	70-06-028	1	O-Ring	32	63-06-104	1	Adaptor-BSP
13	134-3742	2	Screw-HHF	32:1	63-06-111	1	Seal-O Ring
15	09479	3	Washer-Plain	33	70-06-054	1	Adaptor
16	70-06-050	1	Adaptor-Boss	34	134-5066	1	Fitting
16:1	70-06-168	1	Seal-O Ring	34:1	70-06-166	1	Seal-O Ring ●
17	134-3365-03	1	Lever-Pump Control W/A	35	354-77	1	Fitting-Quick
18	134-6538	2	Washer, Pump Mounting	35:1	237-78	1	O-Ring ●
19	134-4255	1	Pump-Transmission Danfoss Mp1	36	354-79	1	Cap-Dust

● Not illustrated

Hydraulic Pump Assembly No. 134-4255



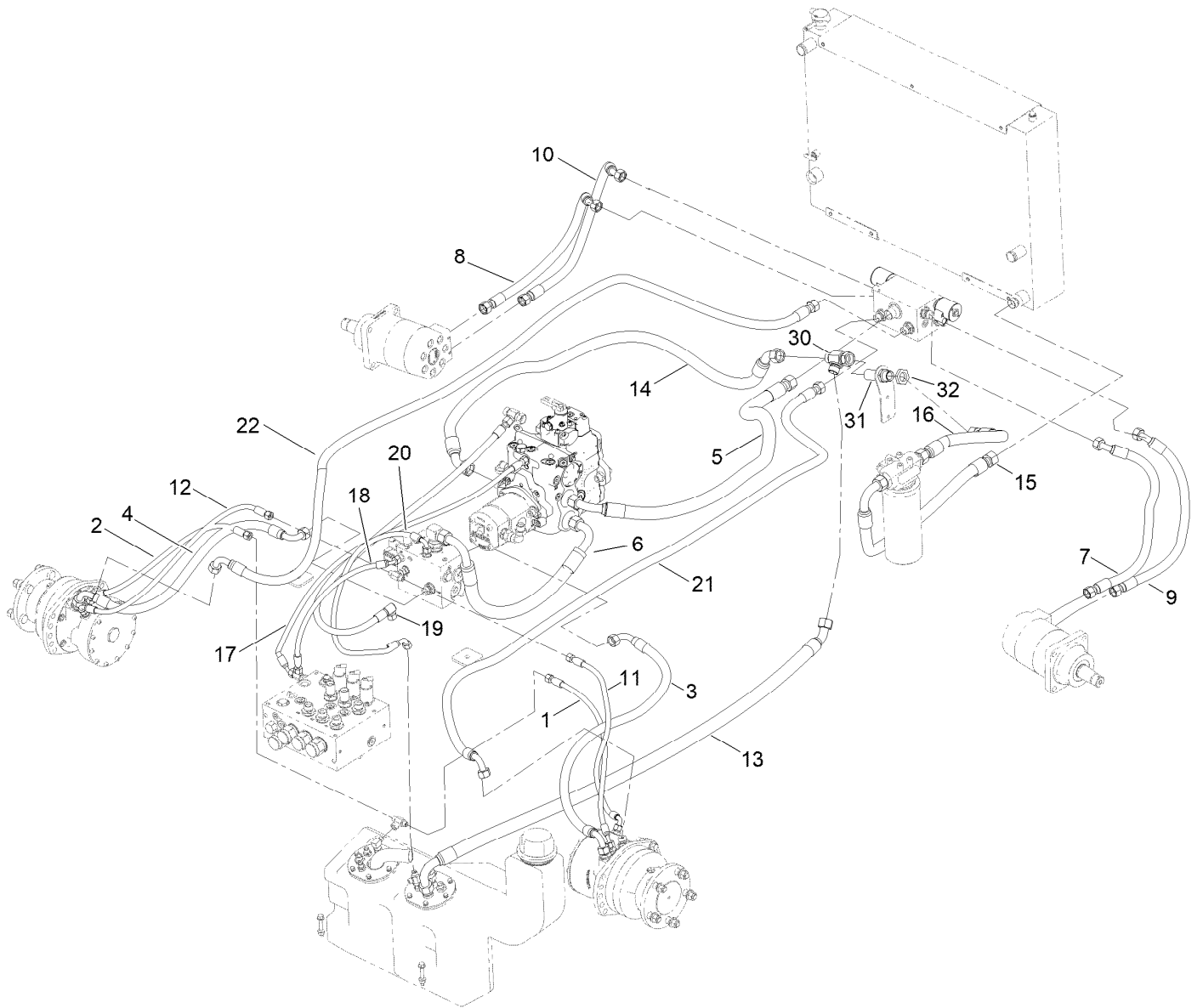
Hydraulic Pump Assembly No. 134-4255 (continued)

<i>Ref.</i>	<i>Part Number</i>	<i>Qty.</i>	<i>Description</i>	<i>Ref.</i>	<i>Part Number</i>	<i>Qty.</i>	<i>Description</i>
1	132-6205	1	Overhaul Seal Kit	5	69-3080	7	Plug
1:1	75-0240	2	O-Ring	6	69-3130	2	Plug
1:2	84-0560	2	O-Ring	7	110-6485	1	Pin-Slotted
1:3	125-5288	2	O-Ring	8	136-4393	1	Valve-Relief, High Pressure
1:4	125-5283	1	Gasket-Control	9	139-4805	1	Plug ASM
1:5	125-5298	1	O-Ring	10	110-6477	1	Valve-Relief
1:6	132-6206	1	O-Ring	10:1	75-0240	1	O-Ring ●
1:7	127-6214	1	Seal-Lip	10:2	84-0560	1	O-Ring ●
1:8		1	Gasket ■	11	94-3993	3	Plug
1:9		2	O-Ring ■	12	136-3219	2	Plug ASM
1:10		2	Piston Ring ■	13	134-6084	1	Mdc Kit
1:11		2	O-Ring ■	14	134-6086	1	Control Handle
2	136-4398	1	Valve Plate	15	134-6087	1	Valve-Spool
3	136-4397	1	Charge Relief Kit	16	134-6088	1	Screw
4	125-5270	2	Screw	17	134-6089	2	Plug

● Not illustrated

■ Not serviced separately

Transmission Circuit Hydraulic Hose Assembly

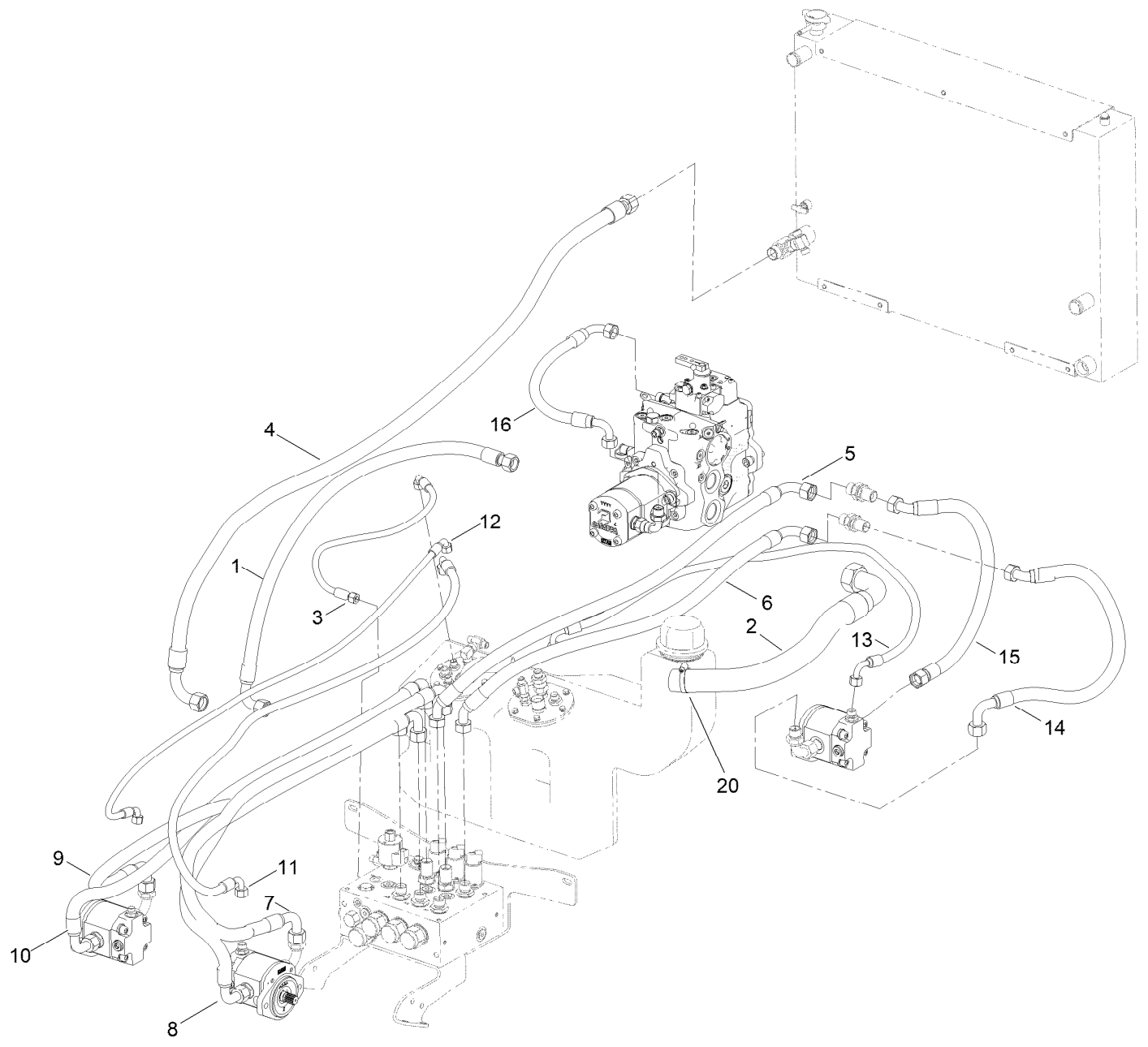


Transmission Circuit Hydraulic Hose Assembly (continued)

<i>Ref.</i>	<i>Part Number</i>	<i>Qty.</i>	<i>Description</i>	<i>Ref.</i>	<i>Part Number</i>	<i>Qty.</i>	<i>Description</i>
1	134-1924	1	Hose 1/4"	15	134-1931	1	Hose 3/4"
2	134-1925	1	Hose 1/4"	16	134-1932	1	Hose 3/4"
3	134-3509	1	Hose 1/2"	17	134-1939	1	Hose 1/4"
4	134-3510	1	Hose 1/2"	18	134-1940	1	Hose 1/4"
5	134-1927	1	Hose 3/4"	19	134-1945	1	Hose 3/8"
6	134-1928	1	Hose 3/4"	20	134-1946	1	Hose 1/4"
7	134-3513	1	Hose 1/2"	21	134-3544	1	Hose 1/2"
8	134-3513	1	Hose 1/2"	22	134-3544	1	Hose 1/2"
9	134-3514	1	Hose 1/2"	30	15-06-102	1	Tee 3/4" Sf/M/M BSP
10	134-3514	1	Hose 1/2"	31	111-7494	0	Adaptor-BSP
11	134-3515	1	Hose 1/4"	32	134-5456	1	Lock Nut
12	134-3515	1	Hose 1/4"	99	111-1048	20	Cable Tie 12.7 * 580 ●
13	134-1929	1	Hose 3/4"	99	74-07-020	30	Tie-Cable ●
14	134-1930	1	Hose 3/4"				

● Not illustrated

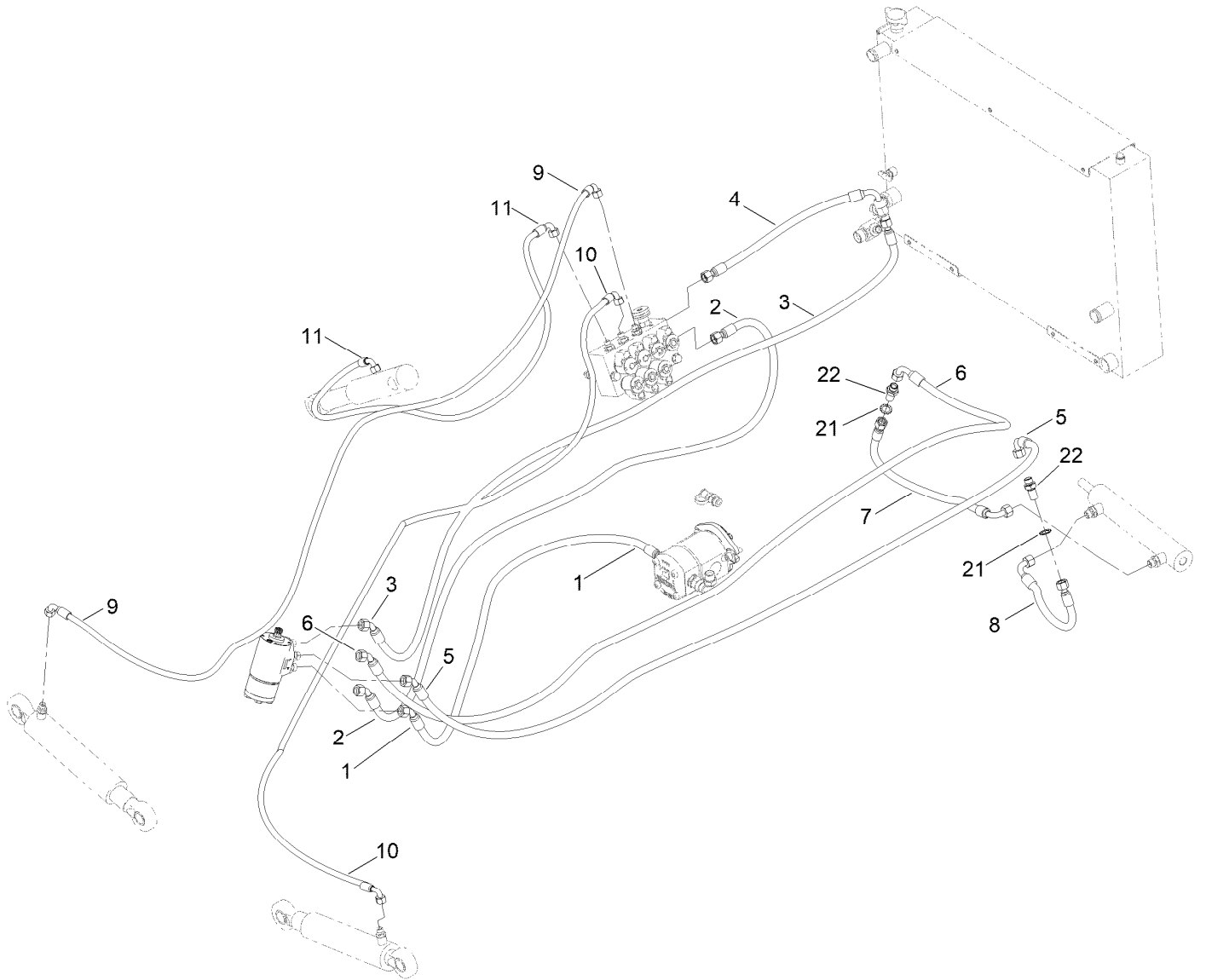
Cutter Circuit Hydraulic Hose Assembly



Cutter Circuit Hydraulic Hose Assembly (continued)

<i>Ref.</i>	<i>Part Number</i>	<i>Qty.</i>	<i>Description</i>	<i>Ref.</i>	<i>Part Number</i>	<i>Qty.</i>	<i>Description</i>
1	134-1926	1	Hose 5/8"	10	134-3526	1	Hose 5/8"
2	134-1933	1	Hose 1-1/4"	11	134-3527	1	Hose 3/8"
3	134-1938	1	Hose 1/4"	12	134-3528	1	Hose 1/4"
4	134-1941	1	Hose 3/4"	13	134-3529	1	Hose 3/8"
5	134-3521	1	Hose 5/8"	14	134-3532	1	Hose 5/8"
6	134-3522	1	Hose 5/8"	15	134-3533	1	Hose 5/8"
7	134-3523	1	Hose 5/8"	16	134-1944	1	Hose 1/2"
8	134-3524	1	Hose 5/8"	20	10-11-034	1	Clamp-Hose, Hi-Torque
9	134-3525	1	Hose 5/8"				

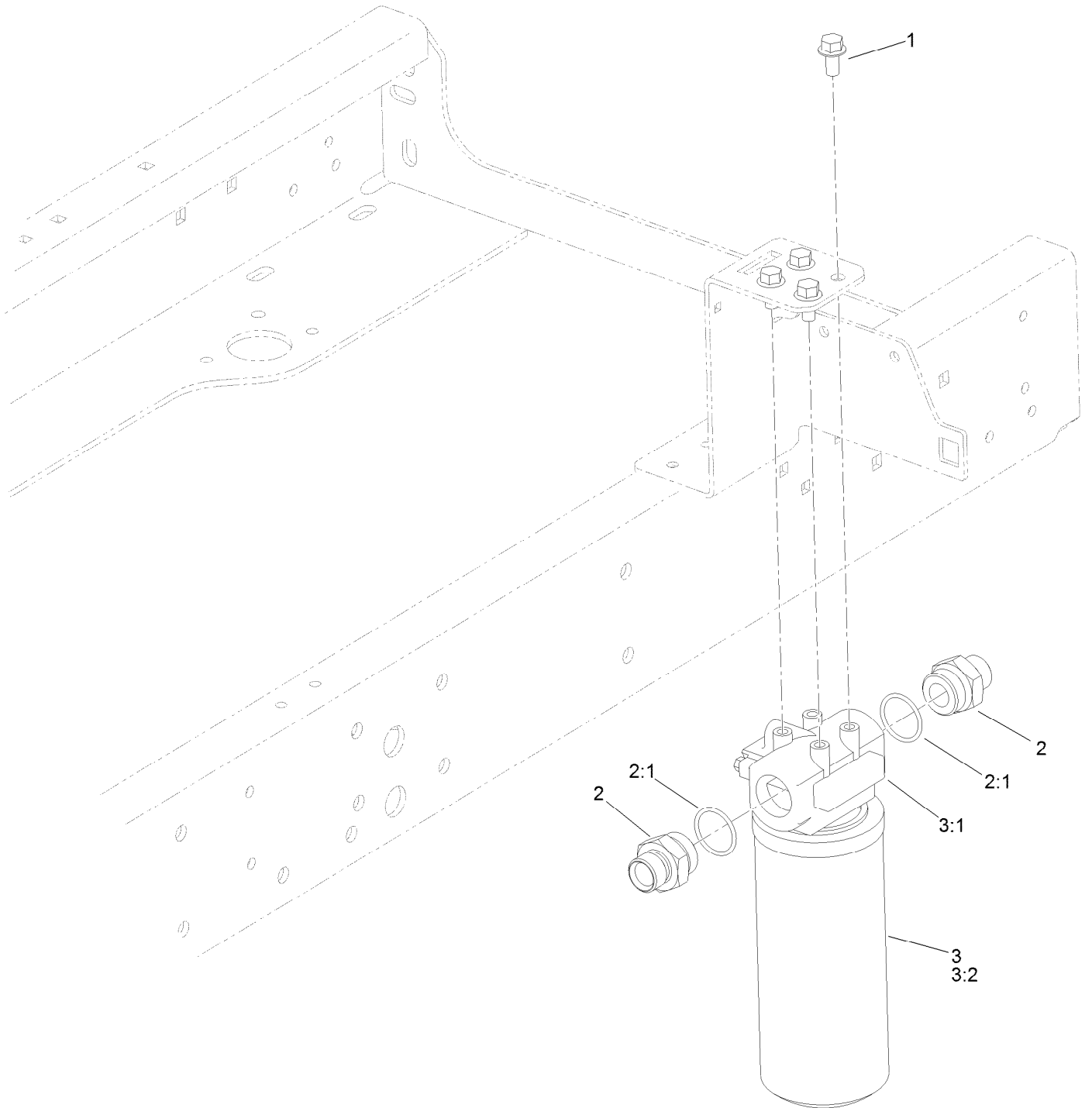
Lift Circuit Hydraulic Hosing Assembly



Lift Circuit Hydraulic Hosing Assembly (continued)

<i>Ref.</i>	<i>Part Number</i>	<i>Qty.</i>	<i>Description</i>	<i>Ref.</i>	<i>Part Number</i>	<i>Qty.</i>	<i>Description</i>
1	134-1935	1	Hose 3/8"	8	134-3543	1	Hose 3/8"
2	134-1936	1	Hose 3/8"	9	134-3545	1	Hose 1/4"
3	134-1942	1	Hose 3/8"	10	134-3546	1	Hose 1/4"
4	134-1943	1	Hose 3/8"	11	134-3547	1	Hose 1/4"
5	134-3501	1	Hose 3/8"	21	111-5622	2	Washer-Lock, Serrated
6	134-3502	1	Hose 3/8"	22	30-06-208	2	Adaptor
7	134-3543	1	Hose 3/8"				

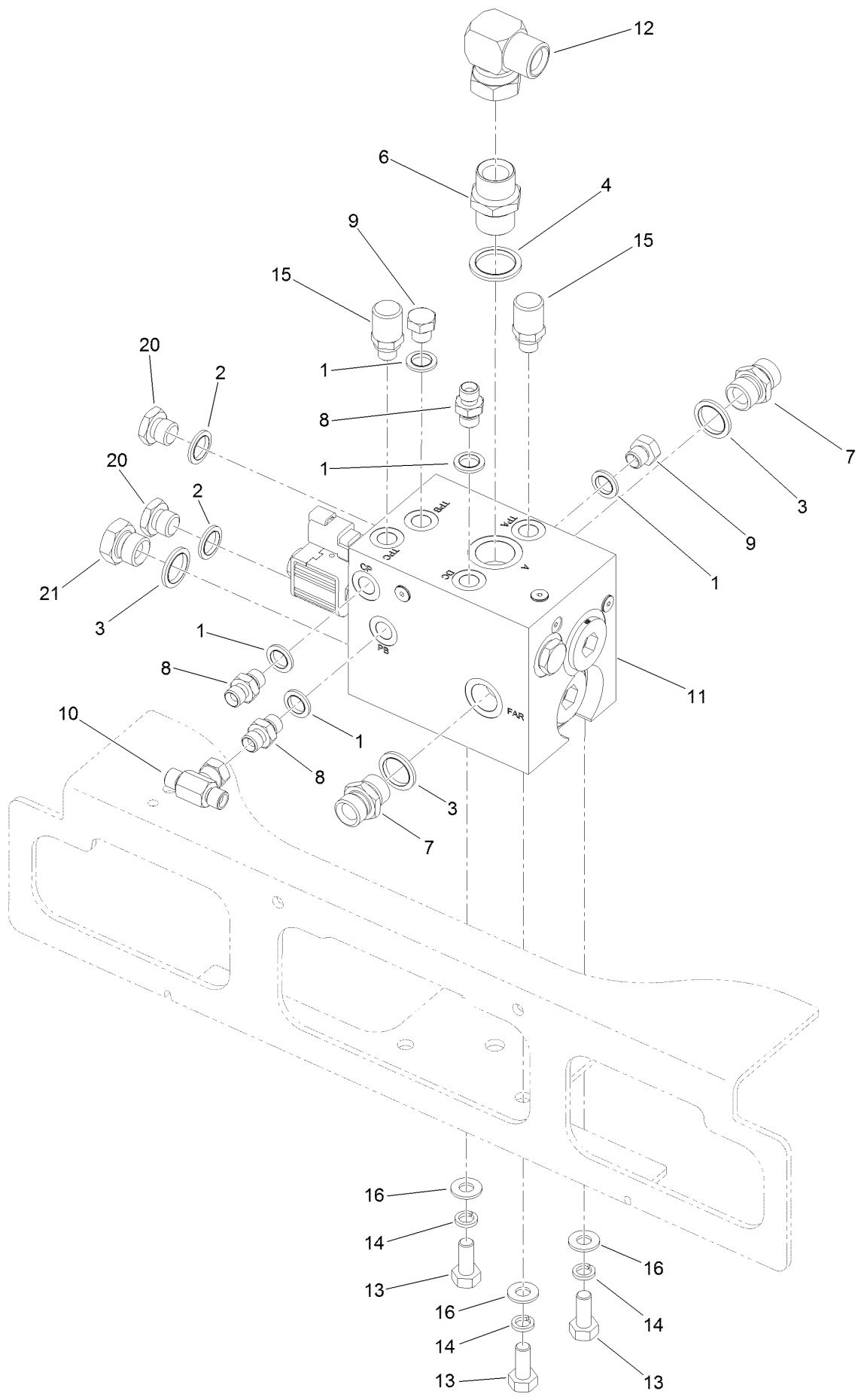
Filter Assembly



Filter Assembly (continued)

<i>Ref.</i>	<i>Part Number</i>	<i>Qty.</i>	<i>Description</i>	<i>Ref.</i>	<i>Part Number</i>	<i>Qty.</i>	<i>Description</i>
1	3234-1	4	Screw-HHF	3	98-3923	1	Oil Filter ASM
2	70-06-063	2	Adaptor	3:1	104-0080	1	Filter Head ASM
2:1	70-06-169	1	Seal-O Ring O Ring	3:2	94-2621	1	Element-Filter

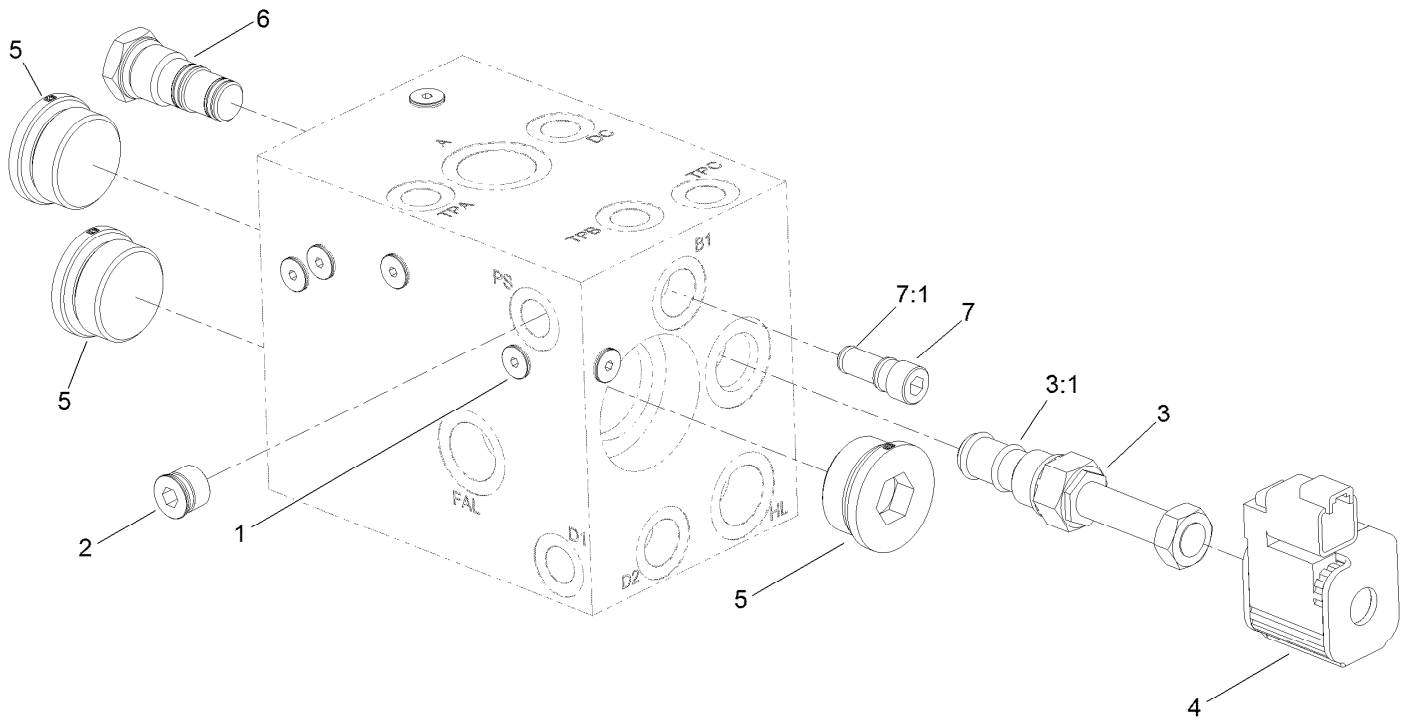
Front Transmission Manifold Assembly



Front Transmission Manifold Assembly (continued)

<i>Ref.</i>	<i>Part Number</i>	<i>Qty.</i>	<i>Description</i>	<i>Ref.</i>	<i>Part Number</i>	<i>Qty.</i>	<i>Description</i>
1	10-06-030	5	Seal-Dowty	11	134-1617	1	Manifold-Transmission, Front
2	10-06-031	2	Seal-Dowty	12	111-4443	1	Elbow-BSP
3	10-06-032	3	Seal-Dowty	13	09395	3	Screw-HH
4	10-06-033	1	Seal-Dowty	14	09480	3	Washer-Lock
6	10-06-044	1	Adaptor-BSP	15	910615	2	Point-BSPP
7	10-06-078	2	Adaptor-BSPP	16	ZWQ1J000U	3	Washer-Plain
8	10-06-085	3	Adaptor	20	50-06-207	2	Plug
9	30-06-200	2	Plug-HYD	21	924695	1	Plug 1/2" BSPP Blanking
10	60-06-011	1	Tee-BSP				

Transmission Manifold Assembly No. 134-1617



Transmission Manifold Assembly No. 134-1617 (continued)

<i>Ref.</i>	<i>Part Number</i>	<i>Qty.</i>	<i>Description</i>	<i>Ref.</i>	<i>Part Number</i>	<i>Qty.</i>	<i>Description</i>
1	106-1024	9	Plug-Leak, Zero	5	134-3488	3	Plug-SAE, #16 Hollow Hex
2	106-1026	1	Plug-HYD	6	134-3489	1	Plug-Cavity
3	111-3533	1	Valve-Solenoid	7	910629	1	Valve-Shuttle
3:1	134-0258	1	Seal Kit ●	7:1	910635	1	Seal Kit ●
4	134-3487	1	Solenoid-12V,				

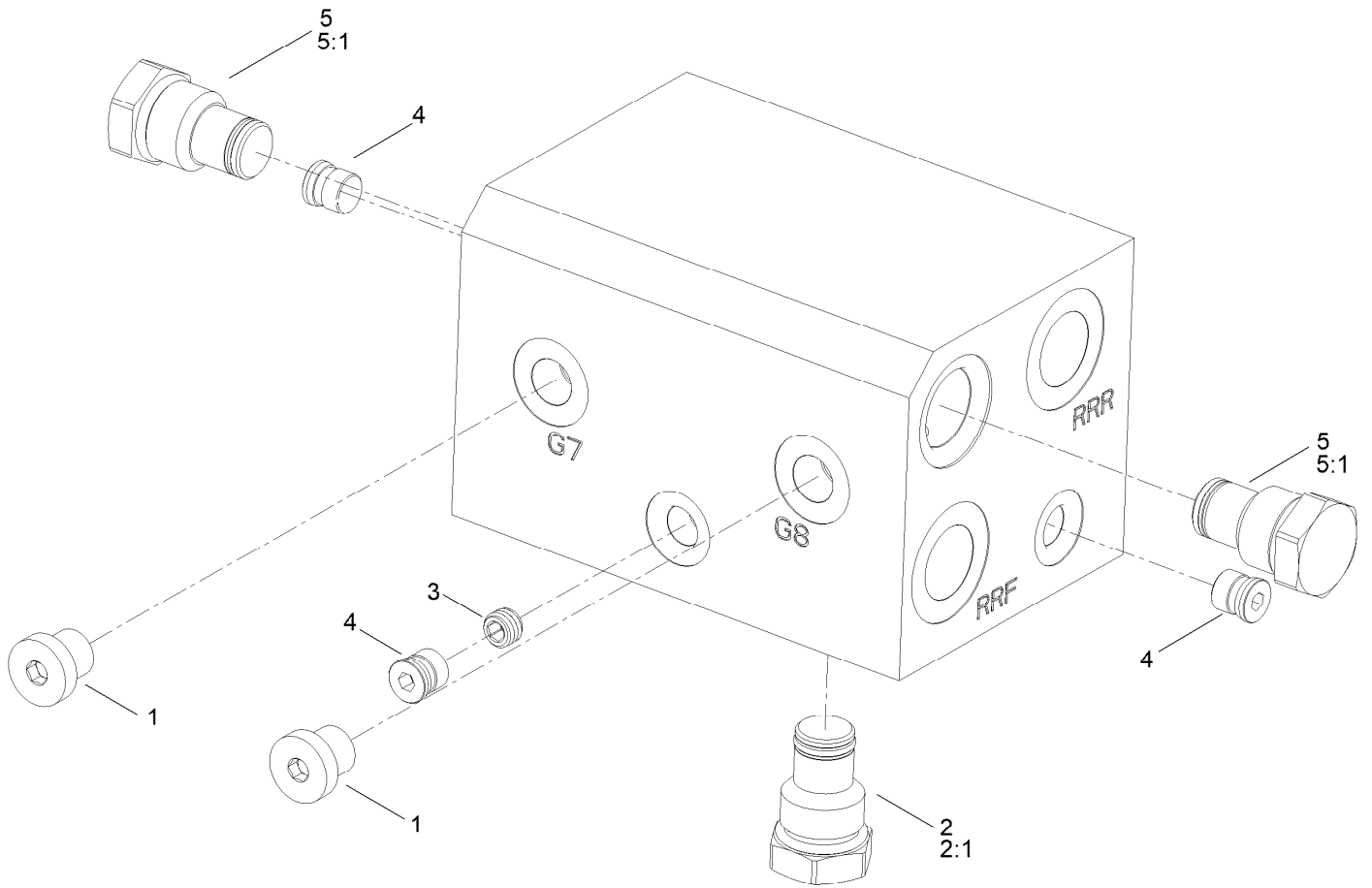
● Not illustrated

Front Transmission Manifold Assembly (continued)

<i>Ref.</i>	<i>Part Number</i>	<i>Qty.</i>	<i>Description</i>	<i>Ref.</i>	<i>Part Number</i>	<i>Qty.</i>	<i>Description</i>
1	10-06-032	6	Seal-Dowty	7	09480	2	Washer-Lock
2	10-06-033	1	Seal-Dowty	8	09395	2	Screw-HH
3	10-06-044	1	Adaptor-BSP	9	ZWQ1J000U	2	Washer-Plain
4	10-06-078	6	Adaptor-BSPP	10	134-3747	4	Screw-HHF
5	134-3295	1	HYD Manifold ASM	11	134-3762	4	Nut-Flange, NI
6	134-3226-03	1	Bracket-Mount, Rear Transmission	13	134-5077	2	Valve, High-Pressure
				13:99	132-6231	1	Seal Kit ●

● Not illustrated

Hydraulic Manifold Assembly No. 134-3295



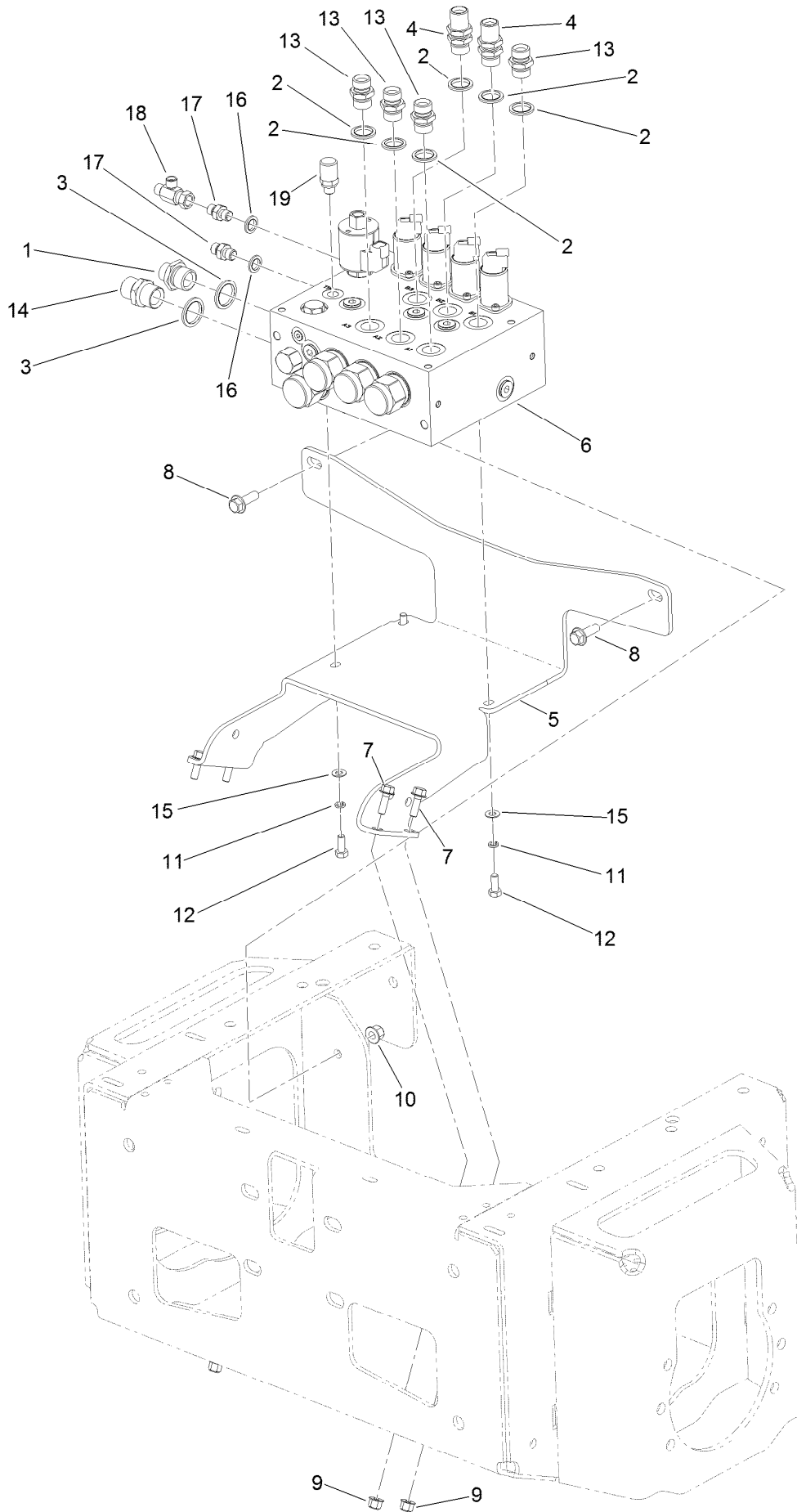
Hydraulic Manifold Assembly No. 134-3295 (continued)

<i>Ref.</i>	<i>Part Number</i>	<i>Qty.</i>	<i>Description</i>
1	134-1824	2	Plug-1/4" BSP, Hydraforce
2	111-8422	1	Plug-Cavity
2:1	107-7813	1	Seal Kit
3	110-8883	1	Plug-Orifice (0.040)

<i>Ref.</i>	<i>Part Number</i>	<i>Qty.</i>	<i>Description</i>
4	106-1025	3	Plug-HYD
5	110-8881	2	Valve-Check
5:1	105-9159	1	Seal Kit ●

● Not illustrated

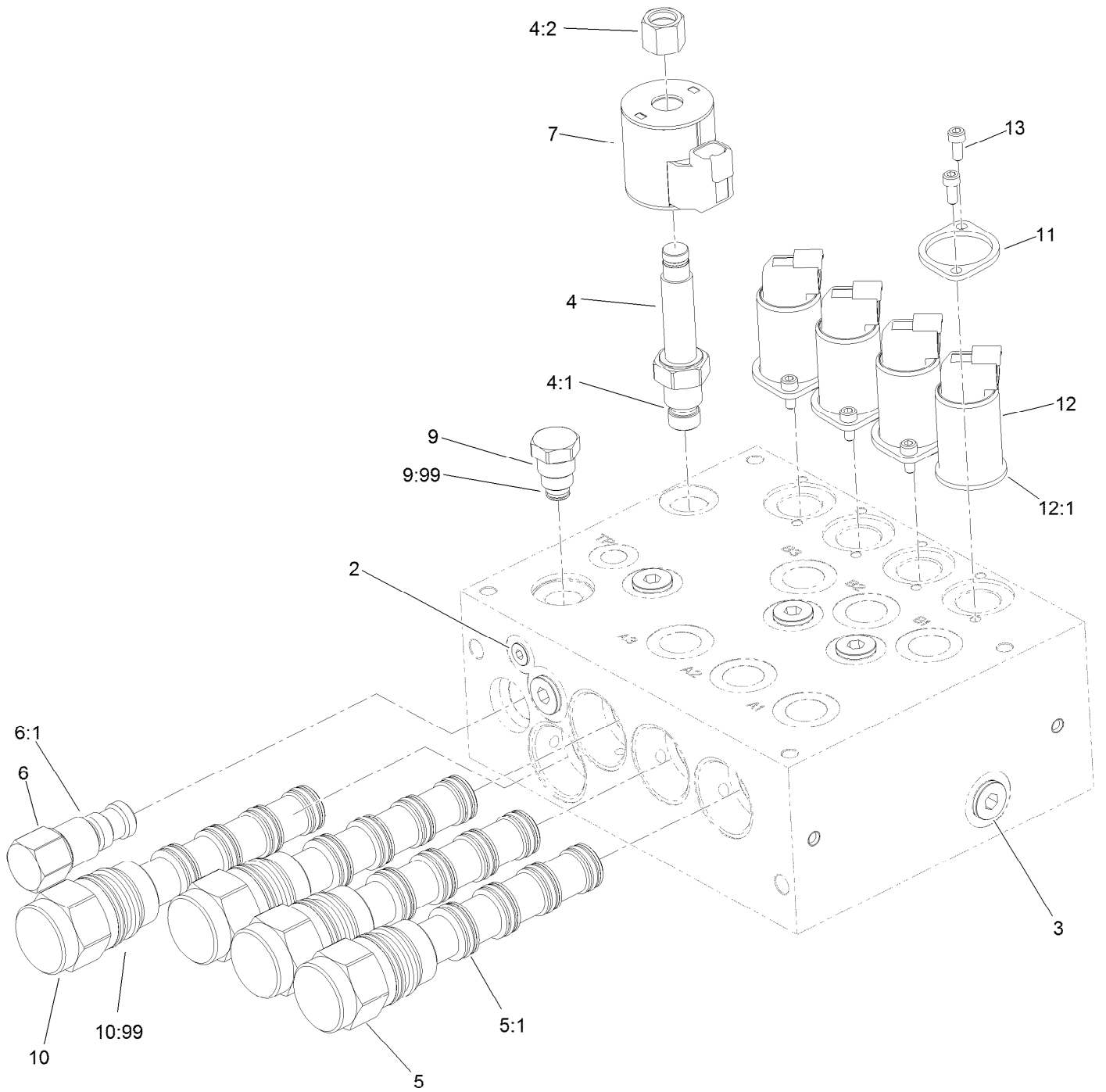
Cutter Manifold Assembly



Cutter Manifold Assembly (continued)

<i>Ref.</i>	<i>Part Number</i>	<i>Qty.</i>	<i>Description</i>	<i>Ref.</i>	<i>Part Number</i>	<i>Qty.</i>	<i>Description</i>
1	09-06-201	1	Adaptor	11	03469	3	Washer-Spring
2	10-06-032	6	Seal-Dowty	12	09368	3	Screw-HH
3	10-06-033	2	Seal-Dowty	13	10-06-078	4	Adaptor-BSPP
4	09-06-216	2	Adaptor-Bulkhead	14	10-06-044	1	Adaptor-BSP
5	134-2949-03	1	Bracket-Cutter Manifold	15	ZWP1H000U	3	Washer-Plain
6	134-4822	1	Manifold-Control, Cutters	16	10-06-030	2	Seal-Dowty
7	134-3747	4	Screw-HHF	17	10-06-085	2	Adaptor
8	134-3752	2	Screw-HHF	18	10-06-083	1	Fitting-Tee
9	134-3762	4	Nut-Flange, NI	19	910615	1	Point-BSPP
10	134-3763	2	Nut-Flange, NI				

Cutter Control Manifold Assembly No. 134-4822

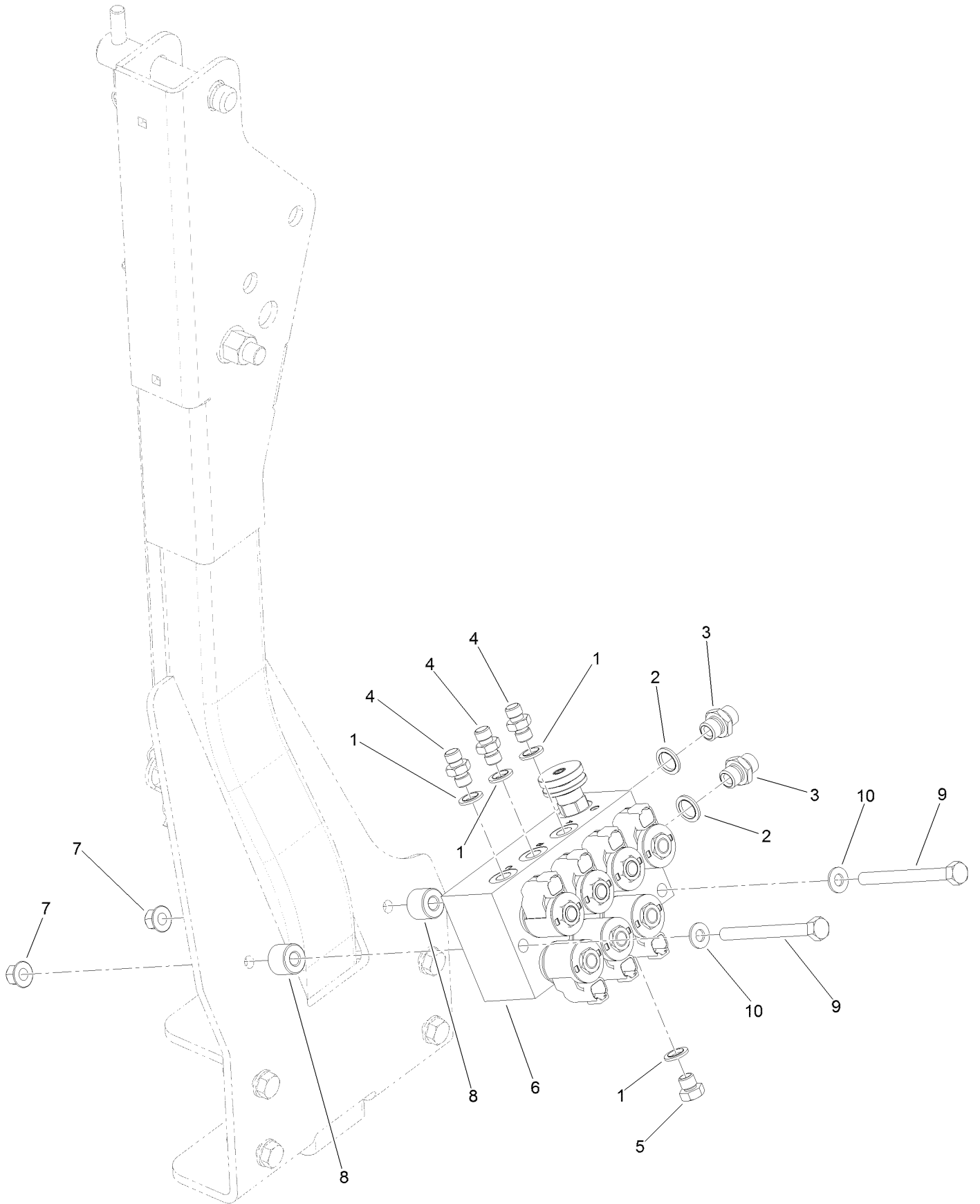


Cutter Control Manifold Assembly No. 134-4822 (continued)

<i>Ref.</i>	<i>Part Number</i>	<i>Qty.</i>	<i>Description</i>	<i>Ref.</i>	<i>Part Number</i>	<i>Qty.</i>	<i>Description</i>
2	106-1025	2	Plug-HYD	7	119-4619	1	Coil-Solenoid
3	106-1027	13	Plug	9	134-4894	1	Plug-Cavity
4	111-6825	1	Pressure-Proportional, Relief Valve	9:99	107-7527	1	Seal Kit
4:1	111-6826	1	Seal Kit ●	10	134-4895	1	Valve, Piloted Directional
4:2	130-8180	1	Nut-Coil (9/16-24 Unef-2B)	10:99	111-6830	1	Seal Kit
5	111-6829	3	Valve-Spool, Piloted	11	138-3825	4	Plate-Mounting, Standard
5:1	111-6830	1	Seal Kit ●	12	138-3828	4	Valve-Solenoid, 3 Way 2 Position
6	111-6832	1	Logic Element-Vented	12:1	138-3831	1	Seal Kit
6:1	111-6827	1	Seal Kit ●	13	138-3827	8	Screw

● Not illustrated

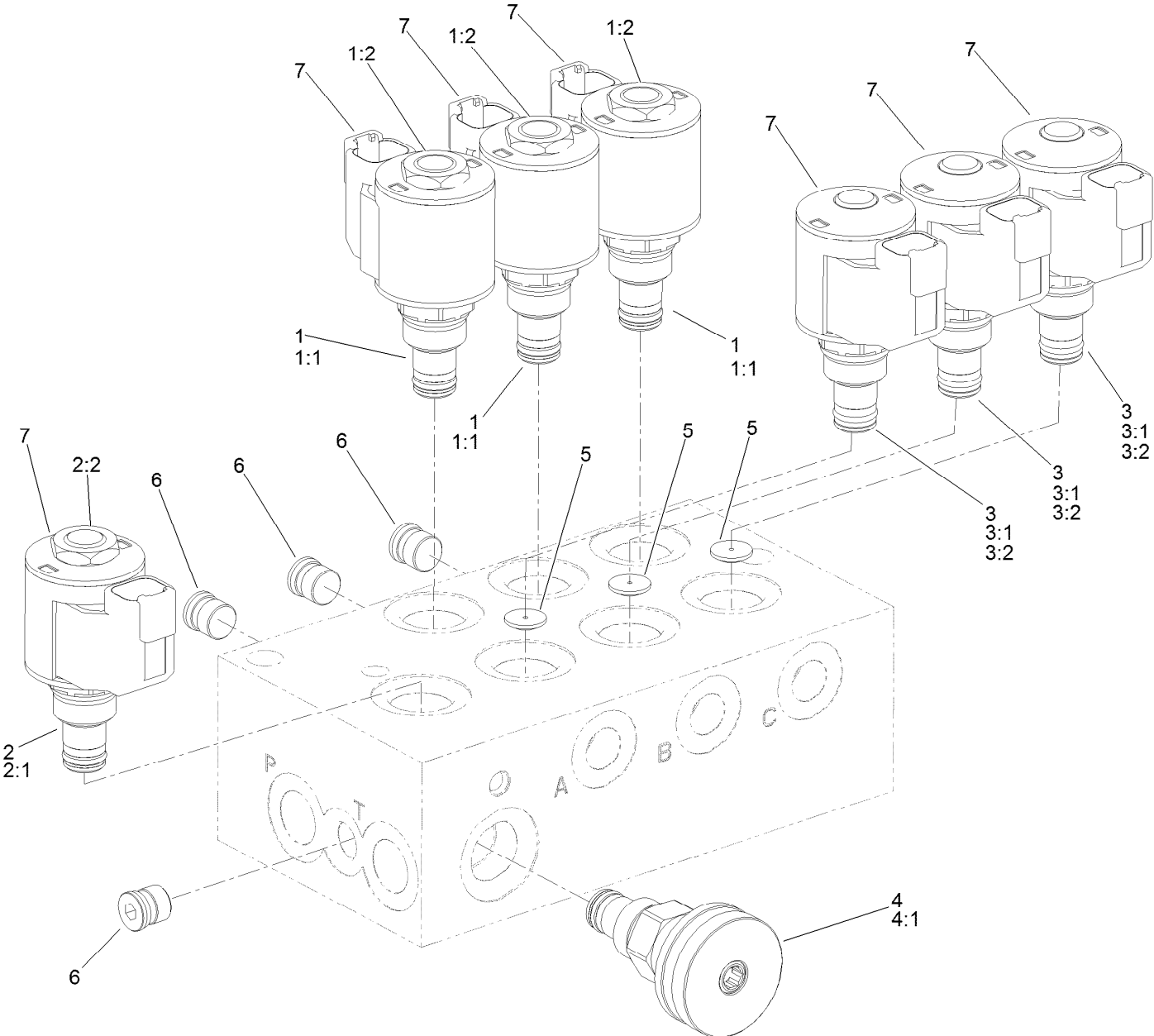
Lift Manifold Assembly



Lift Manifold Assembly (continued)

<i>Ref.</i>	<i>Part Number</i>	<i>Qty.</i>	<i>Description</i>	<i>Ref.</i>	<i>Part Number</i>	<i>Qty.</i>	<i>Description</i>
1	10-06-030	4	Seal-Dowty	6	111-8419	1	Manifold-Control, Lift
2	10-06-031	2	Seal-Dowty	7	134-3763	2	Nut-Flange, NI
3	10-06-042	2	Adaptor-BSPP	8	134-3919	2	Spacer
4	10-06-085	3	Adaptor	9	09405	2	Bolt
5	30-06-200	1	Plug-HYD	10	ZWQ1J000U	2	Washer-Plain

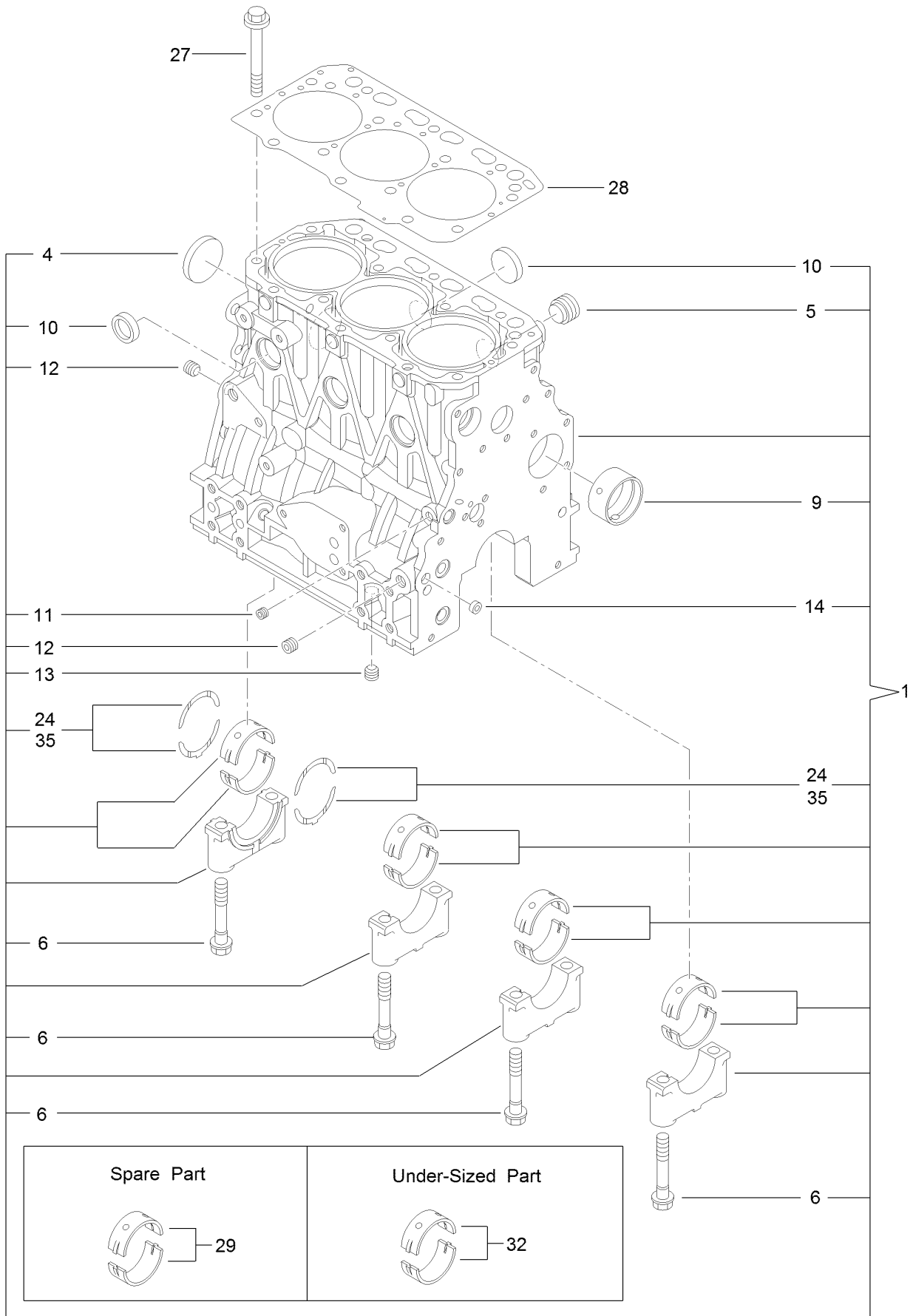
Lift Control Manifold Assembly No. 111-8419



Lift Control Manifold Assembly No. 111-8419 (continued)

<i>Ref.</i>	<i>Part Number</i>	<i>Qty.</i>	<i>Description</i>	<i>Ref.</i>	<i>Part Number</i>	<i>Qty.</i>	<i>Description</i>
1	111-9623	3	Valve-Solenoid	3:1	105-9156	1	Seal Kit
1:1	107-7527	1	Seal Kit	3:2	110-2634	1	Nut-Coil
1:2	110-2634	1	Nut-Coil	4	111-5513	1	Valve-Needle, Weight
2	111-9624	1	Valve-Solenoid	4:1	107-7527	1	Seal Kit
2:1	105-9156	1	Seal Kit	5	111-9625	3	Orifice-Flow, Control
2:2	107-7812	1	Nut-Solenoid	6	106-1025	4	Plug-HYD
3	112-9206	3	Solenoid Valve ASM	7	112-0197	7	E Coil-12V DC

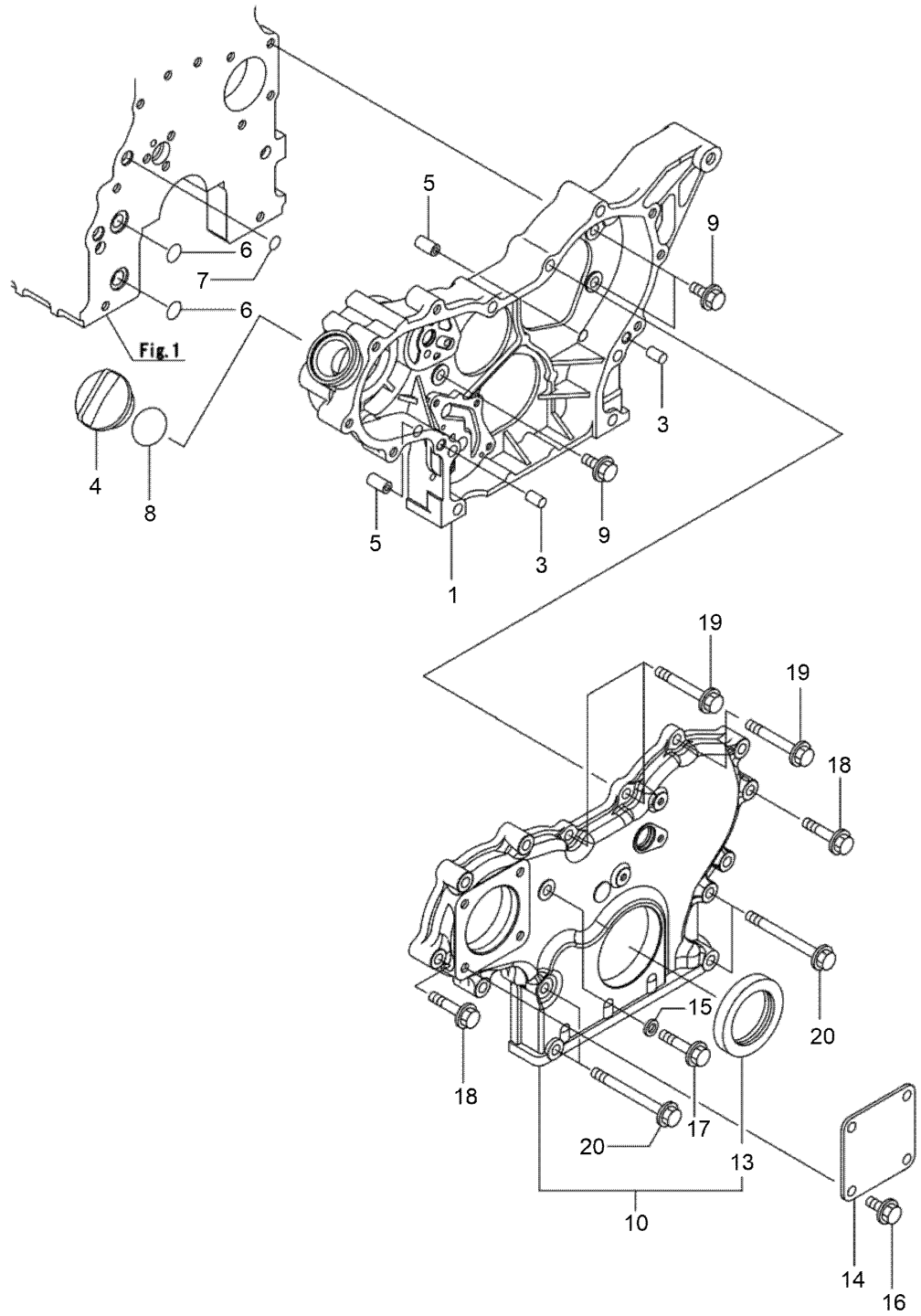
Cylinder Block Assembly



Cylinder Block Assembly (continued)

<i>Ref.</i>	<i>Part Number</i>	<i>Qty.</i>	<i>Description</i>	<i>Ref.</i>	<i>Part Number</i>	<i>Qty.</i>	<i>Description</i>
1	127-4717	1	Cylinder Block ASM	13	125-6973	1	Plug
4	125-6980	1	Plug	14	125-7237	1	Plug
5	125-7170	1	Plug	24	125-7010	2	Metal-Thrust
6	125-7007	8	Bolt	27	125-7006	14	Bolt
9	125-7108	1	Bushing	28	127-4716	1	Head Gasket ASM
10	140-7182	6	Plug 30	29	125-6981	4	Metal-Main
11	125-6969	1	Plug	32	125-7009	4	Metal-Main (0.25)
12	125-6973	2	Plug	35	125-7011	1	Metal-Thrust (0.25)

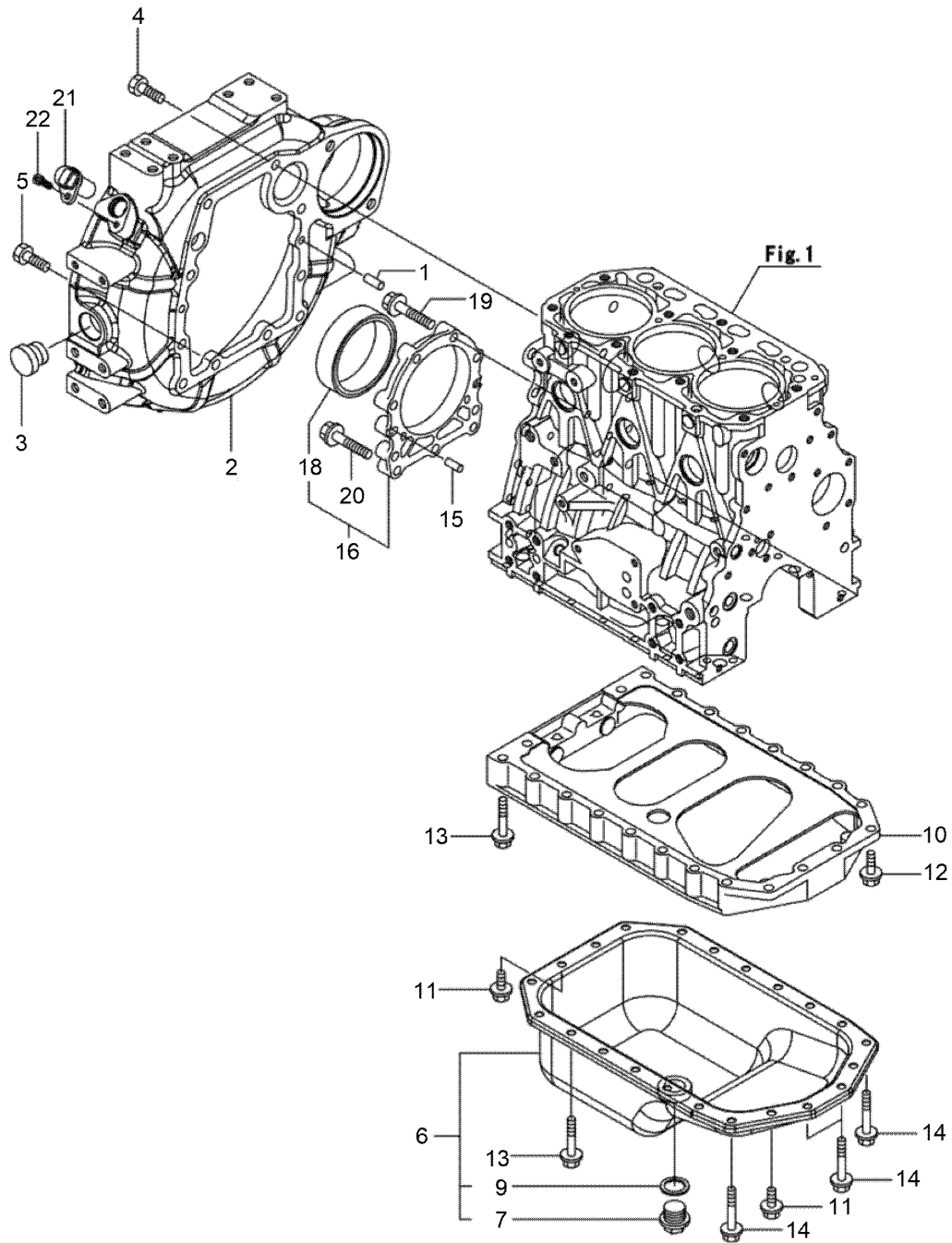
Gear Housing Assembly



Gear Housing Assembly (continued)

<i>Ref.</i>	<i>Part Number</i>	<i>Qty.</i>	<i>Description</i>	<i>Ref.</i>	<i>Part Number</i>	<i>Qty.</i>	<i>Description</i>
1	127-3023	1	Case-Gear	13	125-6944	1	Seal-Oil
3	125-6995	2	Pin	14	125-6977	1	Cover
4	125-6972	1	Cover-Filler	15	125-7174	1	Washer-Seal
5	125-7107	2	Pipe	16	125-7214	4	Bolt
6	125-6909	2	O-Ring	17	125-7217	1	Bolt
7	127-2973	1	O-Ring	18	125-7218	7	Bolt
8	125-7197	1	O-Ring	19	125-7222	3	Bolt
9	125-7214	3	Bolt	20	125-7224	4	Bolt
10	127-3024	1	Gearcase Cover ASM				

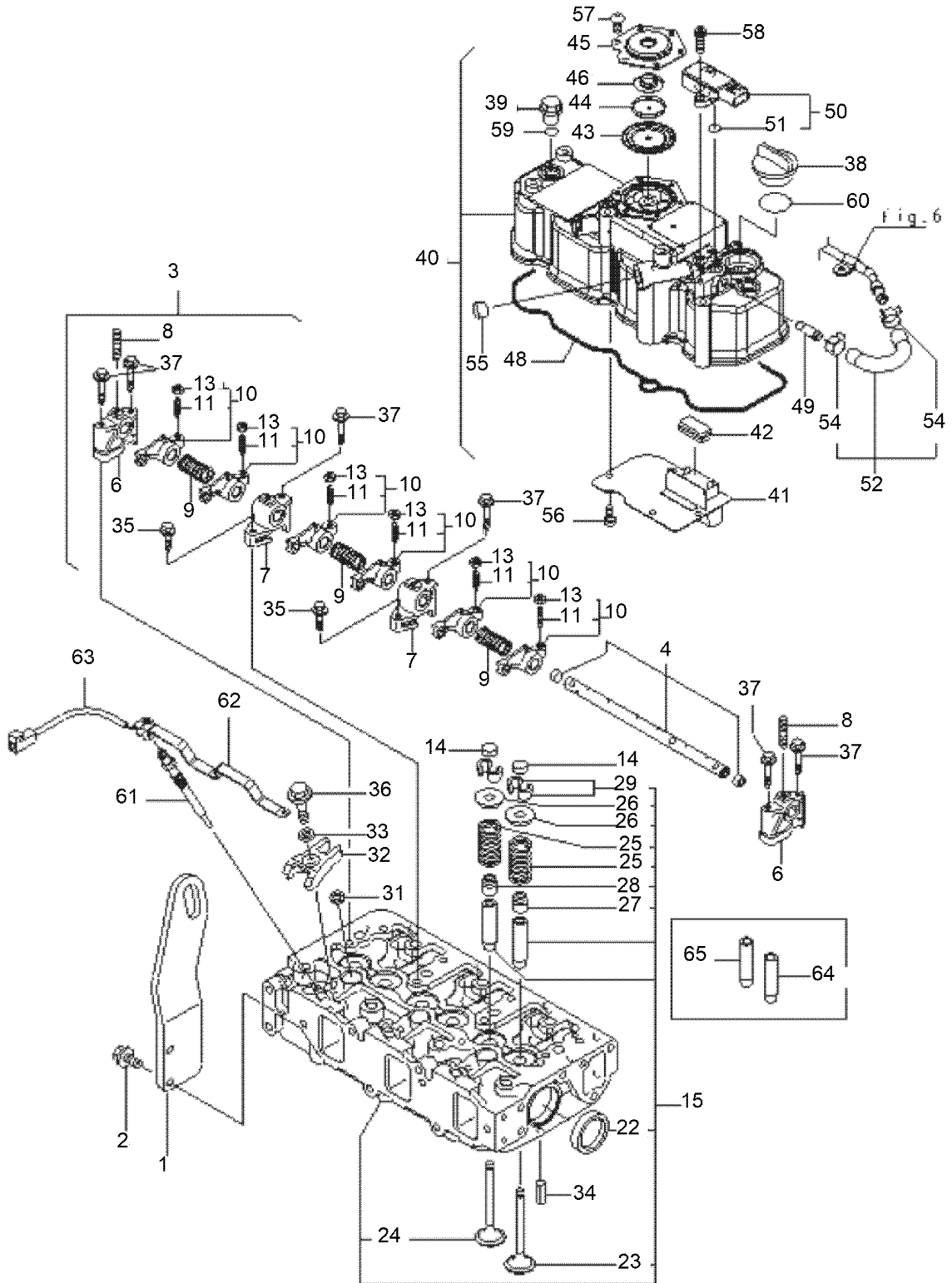
Flywheel Housing and Oil Sump Assembly



Flywheel Housing and Oil Sump Assembly (continued)

<i>Ref.</i>	<i>Part Number</i>	<i>Qty.</i>	<i>Description</i>	<i>Ref.</i>	<i>Part Number</i>	<i>Qty.</i>	<i>Description</i>
1	125-6995	2	Pin	12	125-7215	2	Bolt
2	127-3025	1	Housing-Flywheel	13	125-7219	16	Bolt
3	125-6910	1	Cap	14	125-7220	4	Bolt
4	125-7226	6	Bolt	15	125-6995	2	Pin
5	125-7227	4	Bolt	16	140-7173	1	Oil Seal Case ASM
6	127-4711	1	Oil Pan ASM	18	140-7174	1	Seal-Oil
7	125-6912	1	Plug-Drain	19	125-7045	6	Bolt
9	125-7177	1	Washer-Seal	20	125-7217	3	Bolt
10	131-3863	1	Spacer, Oil Pan	21	127-3062	1	Sensor-Rev, Flywheel
11	125-7214	4	Bolt	22	127-3184	1	Bolt

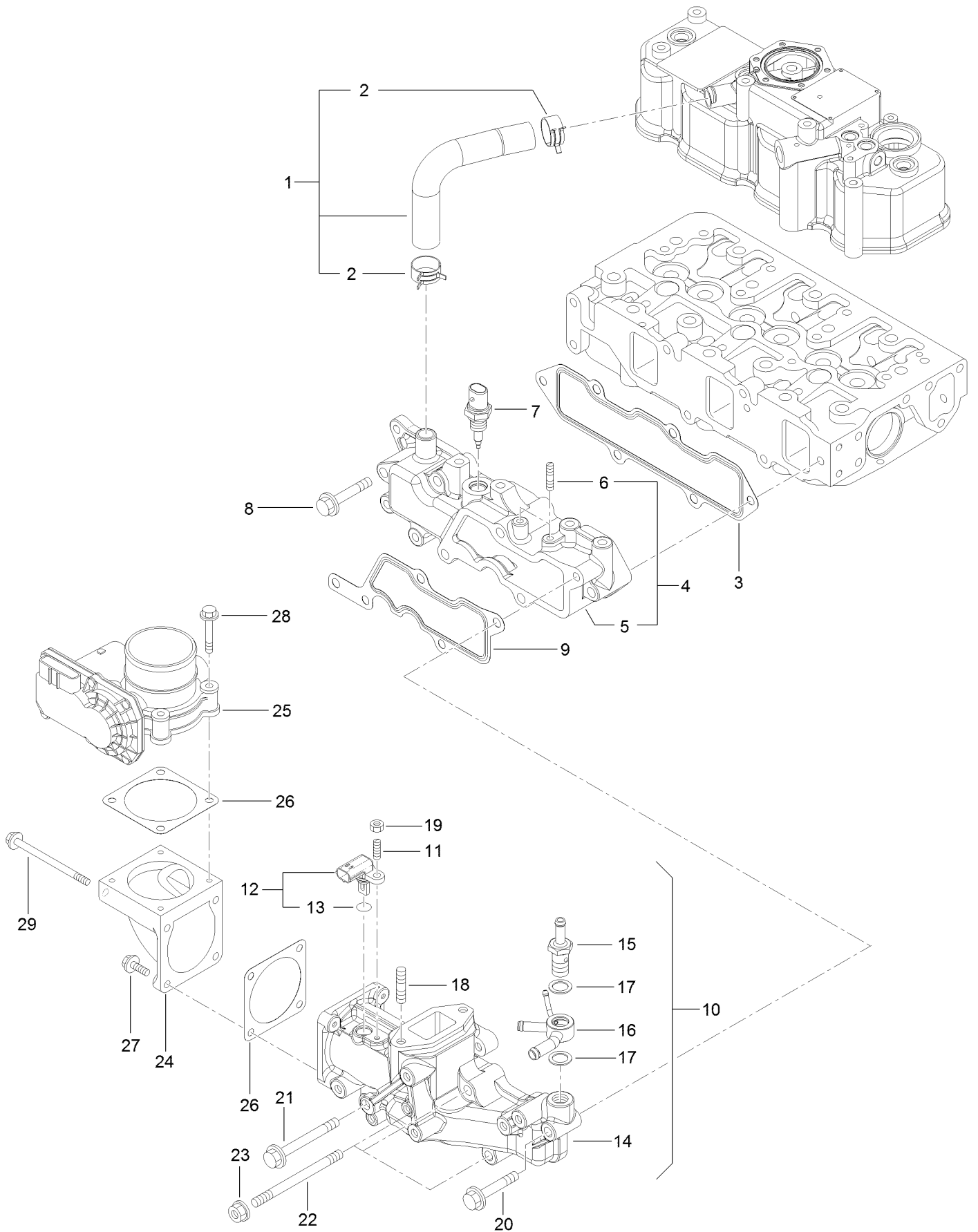
Cylinder Head and Bonnet Assembly



Cylinder Head and Bonnet Assembly (continued)

<i>Ref.</i>	<i>Part Number</i>	<i>Qty.</i>	<i>Description</i>	<i>Ref.</i>	<i>Part Number</i>	<i>Qty.</i>	<i>Description</i>
1	127-4718	1	Lifter-Engine	38	125-6972	1	Cover-Filler
2	125-7595	2	Bolt	39	125-6974	3	Knob
3	127-3757	1	Shaft ASM	40	127-4719	1	Cylinder Head Cover ASM
4	127-3758	1	Shaft	41	127-2988	1	Plate
6	127-2974	2	Support	42	125-7012	1	Baffle
7	127-2975	2	Support	43	125-6959	1	Diaphragm
8	135-4012	3	Bolt,Stud	44	125-6960	1	Plate
9	127-2995	3	Spring	45	125-6961	1	Plate-Breather
10	127-2989	6	Arm-Rocker	46	125-6962	1	Spring-Diaphragm
11	125-7013	6	Screw-Adjust, Valve	48	127-3762	1	Gasket-Cover, Cylinder Head
13	125-7014	6	Nut	49	127-3026	1	Joint
14	127-2996	6	Cap-Valve	50	127-3029	1	Sensor-Pressure
15	139-6014	1	Cylinder Head ASM	51	127-3032	2	O Ring-Sensor, Pressure
22	125-7240	2	Plug	52	127-3040	1	Hose ASM
23	127-2990	3	Valve	54	127-3041	2	Clip-Hose
24	127-4710	3	Valve	55	125-6913	1	Plug
25	127-3012	6	Spring	56	125-7186	4	Screw
26	127-3013	6	Retainer-Spring	57	125-7186	6	Screw
27	127-2986	3	Seal-Stem, Valve	58	127-3184	2	Bolt
28	127-3027	3	Seal-Stem, Valve	59	138-7829	3	O-Ring
29	127-3186	6	Pin-Cotter	60	125-7197	1	O-Ring
31	127-3021	3	Gasket-Injector	61	127-2991	3	Plug-Glow
32	127-3028	3	Retainer-Injector	62	127-3768	1	Connector-Plug, Glow
33	127-2980	3	Washer-Injector	63	131-2704	1	Harness-Wire
34	125-7184	2	Pin-Spring	64	127-2979	3	Guide
35	125-7215	2	Bolt	65	127-2997	3	Guide-Valve
36	125-7217	3	Bolt				
37	125-7220	6	Bolt				

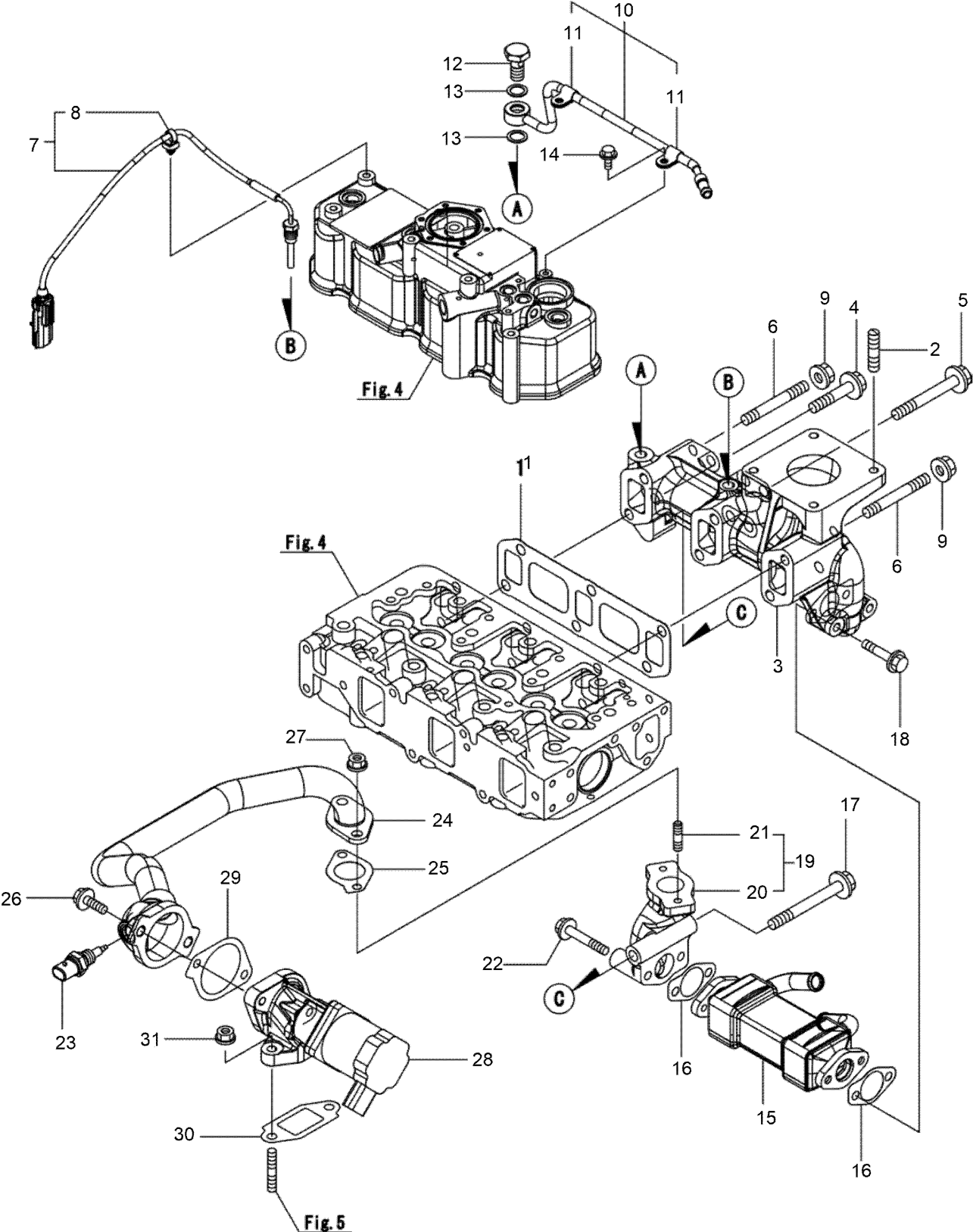
Suction Manifold Assembly



Suction Manifold Assembly (continued)

<i>Ref.</i>	<i>Part Number</i>	<i>Qty.</i>	<i>Description</i>	<i>Ref.</i>	<i>Part Number</i>	<i>Qty.</i>	<i>Description</i>
1	127-4704	1	Pipe	16	127-3081	1	Joint-Hose
2	125-7040	2	Clip-Hose	17	127-3166	2	Washer-Seal
3	127-3769	1	Gasket-Manifold, Intake	18	127-3181	2	Stud
4	127-4722	1	Intake Manifold ASM	19	127-4775	1	Nut
5	127-4721	1	Manifold-Intake	20	125-7220	1	Bolt
6	127-3180	2	Stud	21	127-3178	1	Bolt
7	137-5167	1	Sensor-Temperature, Air	22	127-3182	3	Stud
8	125-7220	3	Bolt	23	125-7229	3	Nut
9	127-3034	1	Gasket-Collector	24	127-3035	1	Bend-Inlet
10	127-4725	1	Intake Collector ASM	25	127-3036	1	Body-Throttle
11	127-4701	1	Stud	26	127-3037	2	Gasket-Throttle
12	127-3030	1	Sensor-Temp, Air	27	125-7209	2	Bolt
13	127-3033	1	O-Ring	28	125-7211	4	Bolt
14	127-4724	1	Collector-Intake	29	127-3177	2	Bolt
15	127-3080	1	Joint-Hose				

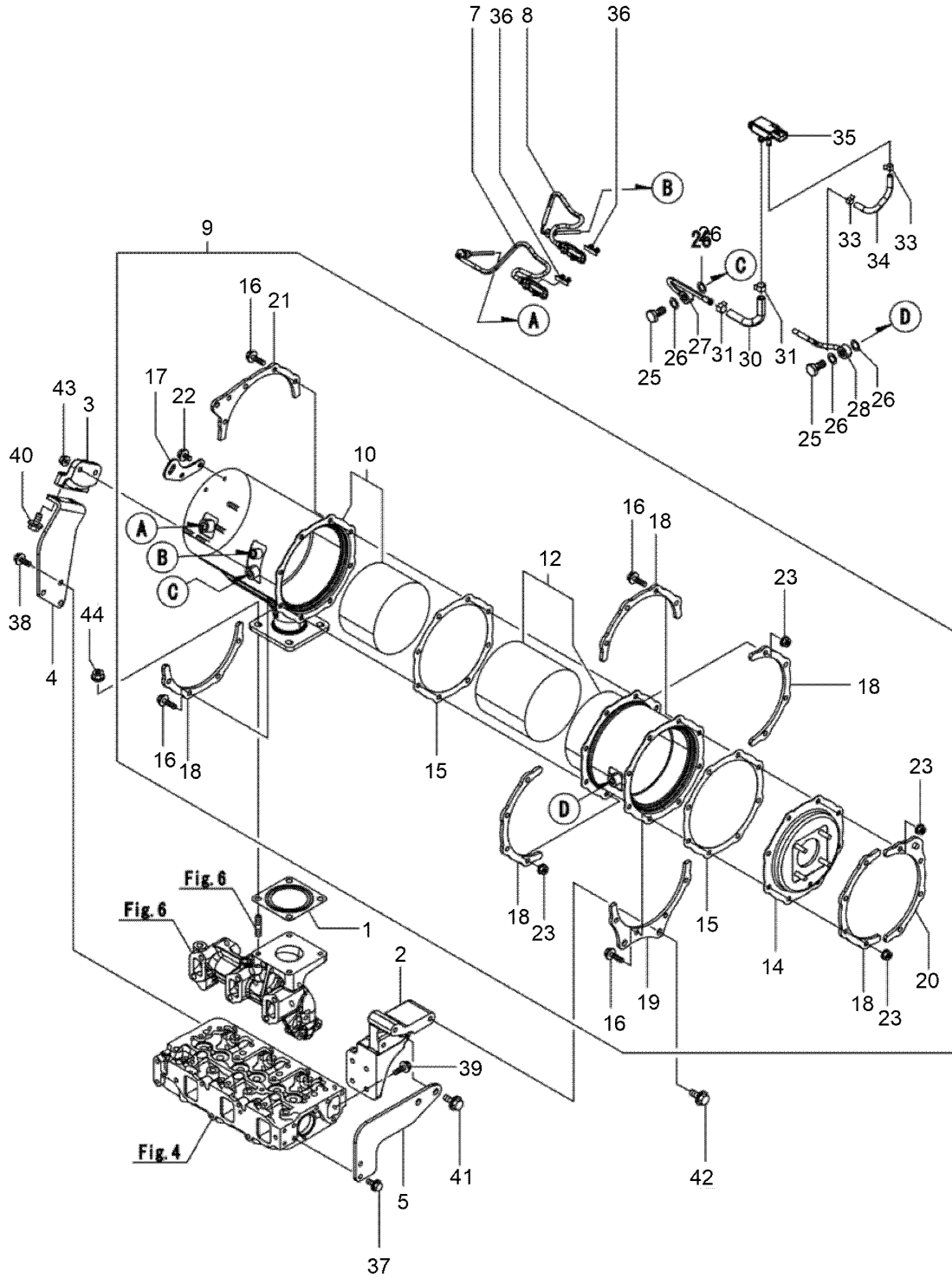
Exhaust Manifold Assembly



Exhaust Manifold Assembly (continued)

<i>Ref.</i>	<i>Part Number</i>	<i>Qty.</i>	<i>Description</i>	<i>Ref.</i>	<i>Part Number</i>	<i>Qty.</i>	<i>Description</i>
1	127-3775	1	Gasket-Manifold, Exhaust	17	127-3022	1	Bolt-Flange
2	127-2984	4	Stud	18	133-6715	2	Bolt
3	127-4726	1	Manifold-Exhaust	19	127-3048	1	E G R Pipe ASM
4	135-4013	1	Bolt	20	127-3049	1	Pipe-Out, E G R
5	135-4014	3	Bolt	21	125-7043	2	Stud
6	127-4756	2	Stud	22	125-7220	2	Bolt
7	127-4729	1	Sensor-Temp, Exhaust	23	137-5168	1	Sensor-Gas Temp, E G R
8	127-3087	1	Band-Clip	24	127-3780	1	E G R Pipe ASM
9	125-7230	2	Nut	25	127-3016	1	Gasket
10	127-3038	1	Exhaust Pipe ASM	26	125-7215	2	Bolt
11	127-3173	2	Clamp	27	125-7229	2	Nut
12	127-3039	1	Bolt-Joint, Pipe	28	127-3781	1	Valve-E G R
13	127-3174	2	Gasket	29	127-3050	1	Gasket-Intake Valve, E G R
14	125-7206	2	Bolt	30	127-3051	1	Gasket-Out Valve, E G R
15	127-3042	1	Cooler-E G R	31	125-7229	2	Nut
16	127-3043	2	Gasket-Cooler, E G R				

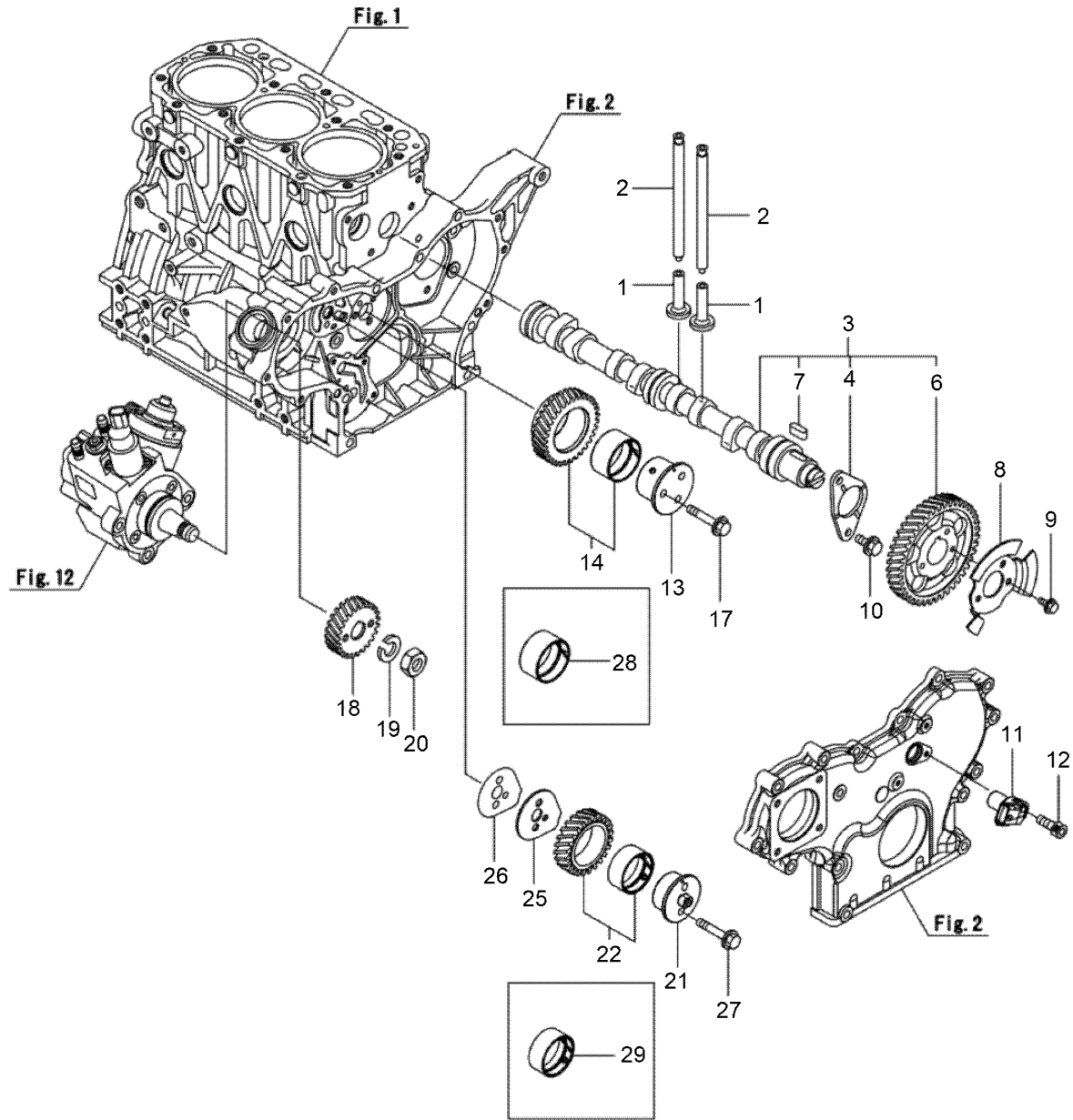
Diesel Particulate Filter Assembly



Diesel Particulate Filter Assembly (continued)

<i>Ref.</i>	<i>Part Number</i>	<i>Qty.</i>	<i>Description</i>	<i>Ref.</i>	<i>Part Number</i>	<i>Qty.</i>	<i>Description</i>
1	127-2987	1	Gasket-Silencer	23	125-7229	16	Nut
2	127-4738	1	Stay-D P F	25	127-3039	2	Bolt-Joint, Pipe
3	127-4739	1	Stay-D P F	26	127-3056	4	Gasket-Sensor
4	127-4740	1	Stay-D P F	27	127-4744	1	Sensor Pipe ASM
5	127-4741	1	Stay-D P F	28	127-4745	1	Sensor Pipe ASM
7	127-4764	1	Sensor-Temp, Exhaust	30	131-3876	1	Hose, Pres Exh
8	131-2719	1	Sensor-Temp, Exhaust	31	127-3057	2	Clip-Hose
9	131-3891	1	Dpf Assy	33	127-3058	2	Clip-Hose
10	127-4732	1	Case-D O C	34	131-3877	1	Hose, Pres Exh
12	127-4734	1	Case-Filter, Soot	35	127-3060	1	Sensor-Pressure
14	131-3873	1	Flange, Outlet	36	127-3088	2	Clip-Connector
15	127-3787	2	Gasket-D P F	37	125-7214	2	Bolt
16	127-3055	16	Bolt	38	125-7214	3	Bolt
17	127-3788	1	Lifter-D P F	39	125-7595	4	Bolt
18	127-3789	5	Stiffener-D P F, A	40	127-3179	2	Bolt
19	127-4735	1	Stiffener-D P F, B	41	127-3179	2	Bolt
20	127-3792	1	Stiffener-D P F, C	42	127-3179	2	Bolt
21	127-4736	1	Stiffener-D P F, C	43	125-7229	2	Nut
22	125-7213	2	Bolt	44	125-7230	4	Nut

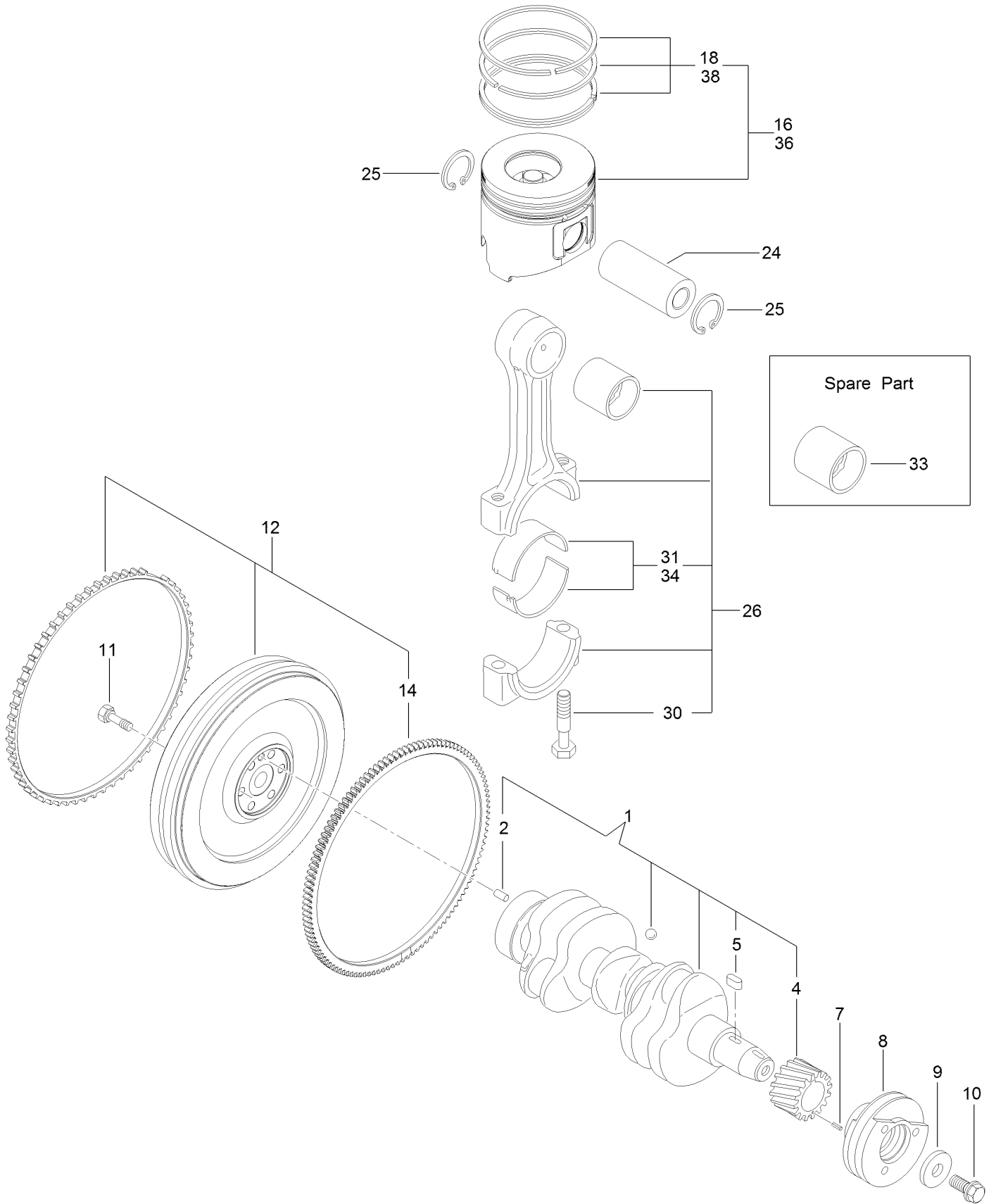
Camshaft and Driving Gear Assembly



Camshaft and Driving Gear Assembly (continued)

<i>Ref.</i>	<i>Part Number</i>	<i>Qty.</i>	<i>Description</i>	<i>Ref.</i>	<i>Part Number</i>	<i>Qty.</i>	<i>Description</i>
1	125-7016	6	Tappet	14	127-3066	1	Idle Gear A ASM
2	125-7017	6	Rod-Push	17	125-7219	3	Bolt
3	127-3797	1	Camshaft ASM	18	127-3070	1	Gear-Pump, Supply
4	125-7008	1	Metal-Thrust	19	127-3167	1	Washer-Spring
6	127-3052	1	Gear-Camshaft	20	127-3185	1	Nut-Lock
7	125-7185	1	Key	21	127-3064	1	Shaft-Idle, Gear B
8	131-3880	1	Pulser, Camshaft	22	127-3067	1	Idle Gear B ASM
9	125-7205	3	Bolt	25	127-3068	1	Plate-Idle, Shaft
10	125-7213	2	Bolt	26	127-3069	1	Gasket-Idle, Shaft B
11	127-3054	1	Sensor-Rev, Gear	27	125-7218	2	Bolt
12	127-3184	1	Bolt	28	125-6926	1	Bush
13	127-3063	1	Shaft-Idle, Gear A	29	127-3065	1	Bushing

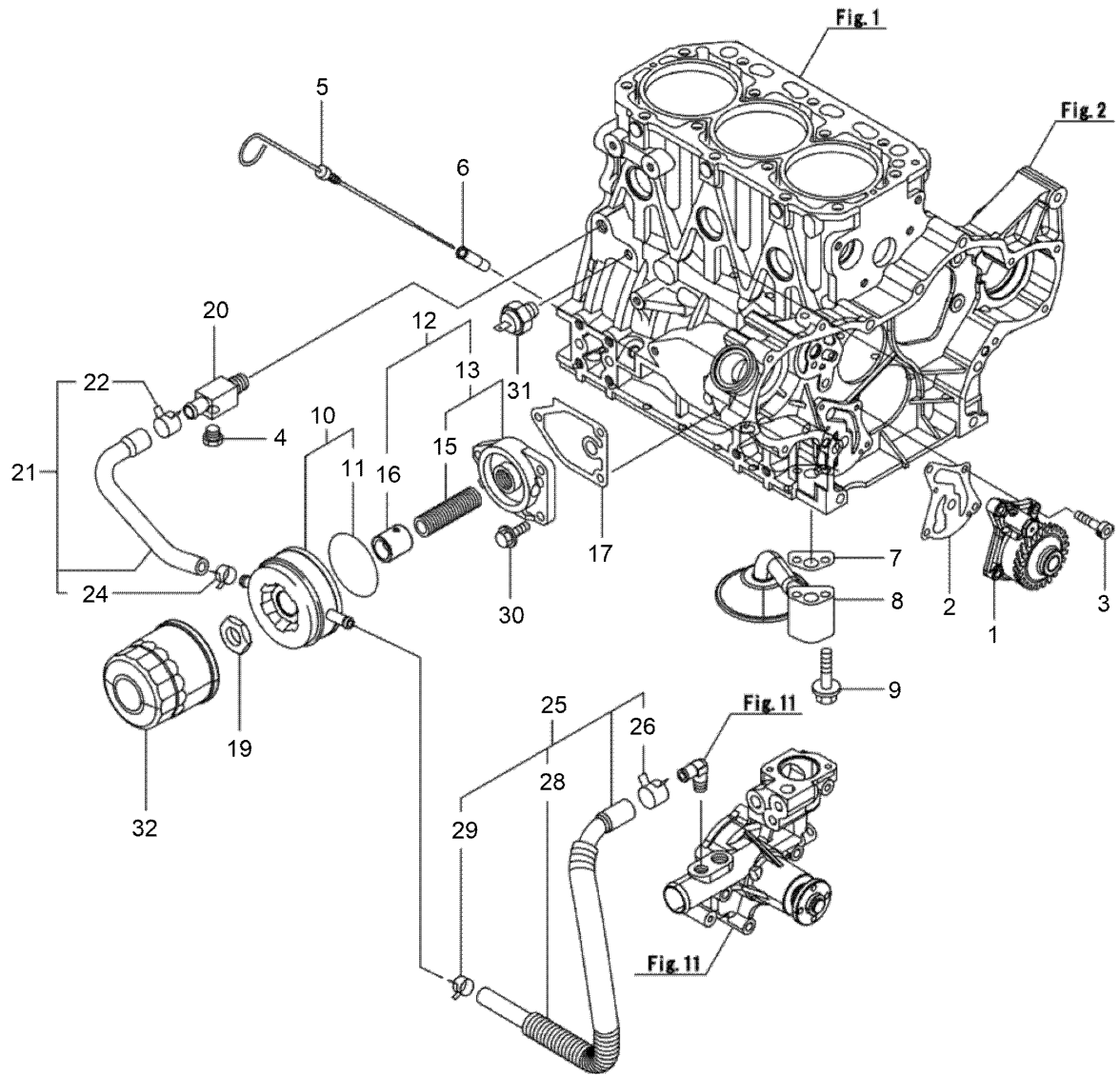
Crankshaft and Piston Assembly



Crankshaft and Piston Assembly (continued)

<i>Ref.</i>	<i>Part Number</i>	<i>Qty.</i>	<i>Description</i>	<i>Ref.</i>	<i>Part Number</i>	<i>Qty.</i>	<i>Description</i>
1	127-3800	1	Crankshaft ASM	16	127-4766	3	Piston ASM
2	125-6995	1	Pin	18	127-4751	3	Piston Ring ASM
4	125-6937	1	Gear	24	125-7030	3	Pin
5	125-7185	1	Key	25	125-7180	6	Ring
7	125-7182	1	Pin-Spring	26	125-7242	3	Connecting Rod ASM
8	127-3801	1	Pulley-V	30	125-6955	6	Bolt
9	125-7109	1	Washer	31	125-7018	3	Pin-Crank
10	125-6956	1	Bolt	33	125-6997	3	Pin-Piston
11	125-6951	6	Bolt	34	125-7019	3	Pin-Crank (.25)
12	127-3802	1	Flywheel ASM	36	127-4767	3	Piston ASM (0.25 O S)
14	125-6943	1	Gear	38	127-4752	3	Ring Set (0.25 O S)

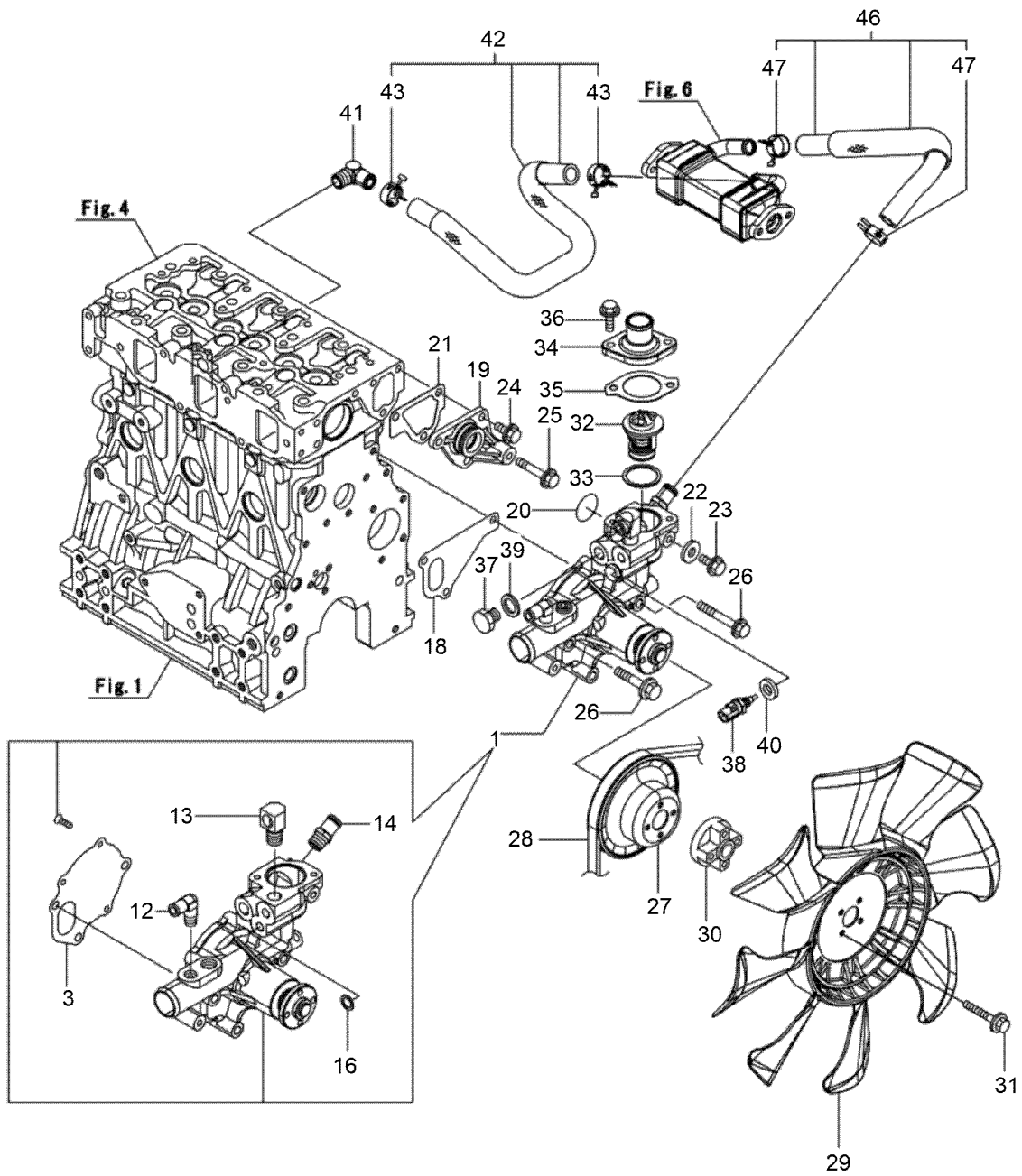
Lubrication Oil System Assembly



Lubrication Oil System Assembly (continued)

<i>Ref.</i>	<i>Part Number</i>	<i>Qty.</i>	<i>Description</i>	<i>Ref.</i>	<i>Part Number</i>	<i>Qty.</i>	<i>Description</i>
1	127-4753	1	Oil Pump ASM	16	135-4022	1	Collar-Cooler, Oil
2	127-3004	1	Gasket	17	125-7024	1	Gasket
3	125-7232	4	Bolt	19	135-4020	1	Nut
4	125-7171	1	Plug-Drain	20	125-6990	1	Joint
5	125-6987	1	Dipstick	21	125-7078	1	Pipe ASM
6	125-6954	1	Guide-Dipstick	22	125-7162	1	Clip
7	125-7022	1	Gasket	24	125-7191	1	Clamp-Hose
8	138-7837	1	Pipe Assy, Oil Inlet	25	127-3804	1	Pipe ASM
9	125-7221	2	Bolt	26	125-7162	1	Clip
10	135-4018	1	Oil Cooler ASM	28	127-3805	1	Tube
11	135-4019	1	Packing-Oil Cooler	29	125-7191	1	Clamp-Hose
12	135-4021	1	Lo Filter Bracket ASM	30	125-7595	3	Bolt
13	140-7169	1	Filter Bracket ASM	31	125-6918	1	Switch-Oil
15	125-7042	1	Stud	32	125-7025	1	Filter-Engine, Oil

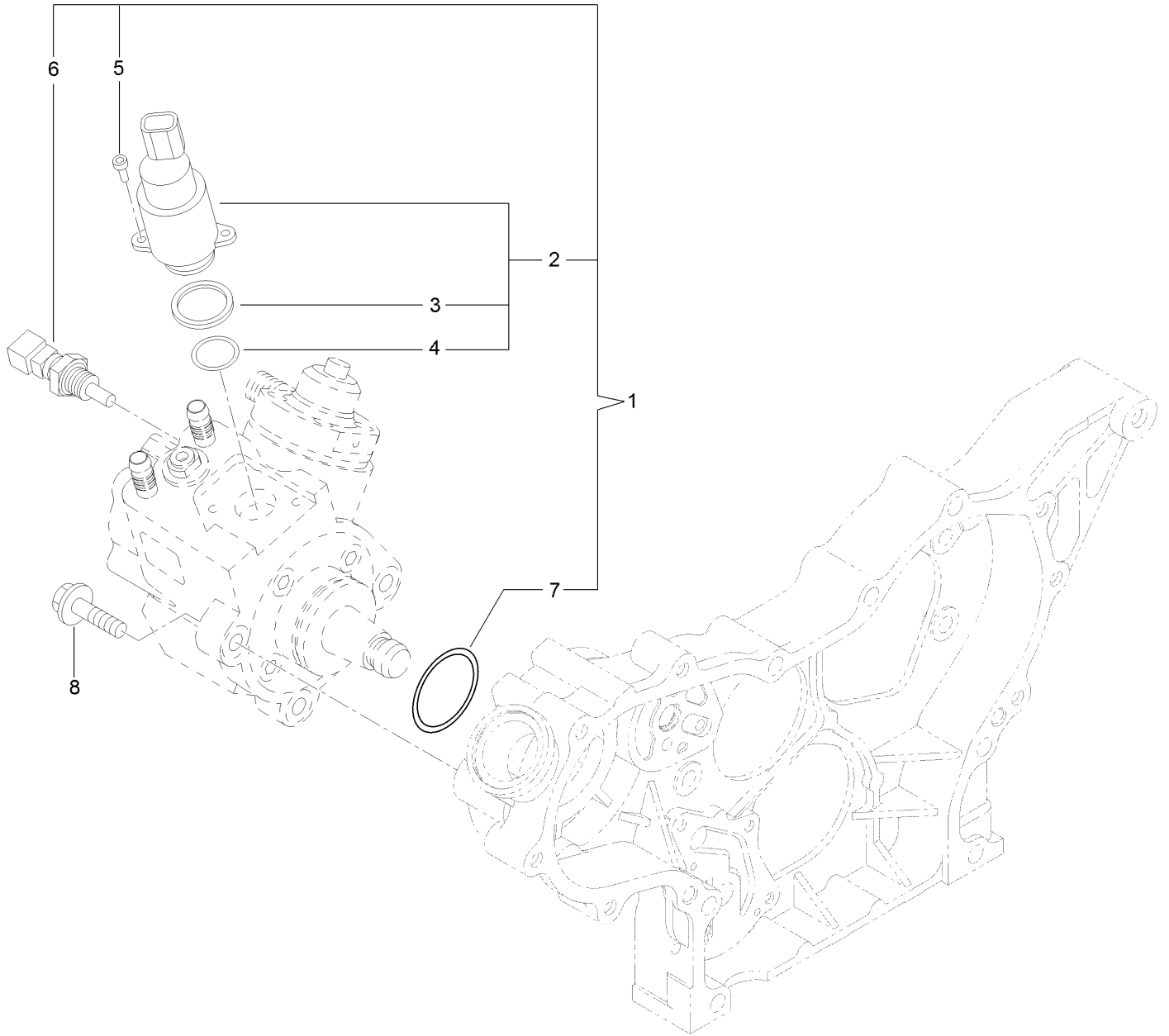
Cooling Water System Assembly



Cooling Water System Assembly (continued)

<i>Ref.</i>	<i>Part Number</i>	<i>Qty.</i>	<i>Description</i>	<i>Ref.</i>	<i>Part Number</i>	<i>Qty.</i>	<i>Description</i>
1	131-3892	1	Pump Assy, CW	29	127-3809	1	Fan
3	125-6998	1	Gasket	30	127-4768	1	Spacer
12	125-7001	1	Elbow	31	125-7211	4	Bolt
13	131-3893	1	Elbow, R3/8	32	125-7029	1	Thermostat
14	127-3017	1	Joint	33	125-7026	1	Gasket
16	127-3174	1	Gasket	34	140-7171	1	Cover-Thermostat
18	125-7047	1	Gasket	35	125-7110	1	Gasket
19	125-6986	1	Joint	36	125-7594	2	Bolt
20	125-7048	1	O-Ring	37	125-6953	1	Plug
21	125-6978	1	Gasket	38	125-7124	1	Sensor-Thermostat, CW
22	125-7192	1	Gasket	39	125-6979	1	Gasket
23	125-7212	1	Bolt	40	125-7176	1	Washer-Seal
24	125-7214	3	Bolt	41	127-4705	1	Elbow
25	125-7219	1	Bolt	42	127-4757	1	E G R-C Pipe ASM
26	125-7222	3	Bolt	43	127-3020	2	Clip-Hose
27	131-3894	1	V-Pulley, Pump	46	127-3811	1	CW Pipe ASM
28	125-7204	1	V-Belt	47	127-3020	2	Clip-Hose

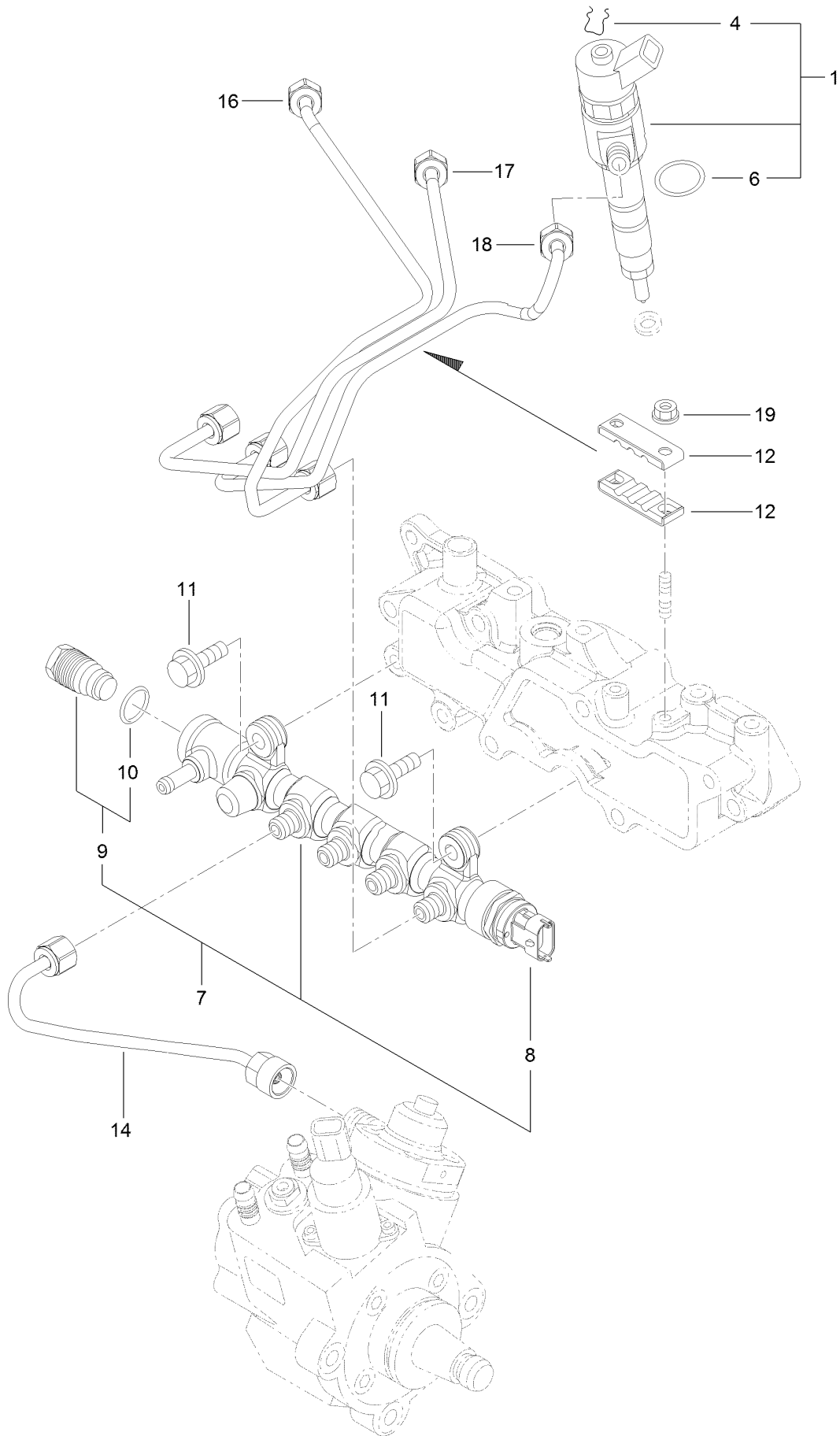
Fuel Supply Pump Assembly



Fuel Supply Pump Assembly (continued)

<i>Ref.</i>	<i>Part Number</i>	<i>Qty.</i>	<i>Description</i>	<i>Ref.</i>	<i>Part Number</i>	<i>Qty.</i>	<i>Description</i>
1	140-7178	1	Fuel Pump ASM	5	131-2107	2	Bolt
2	131-2103	1	Valve ASM	6	131-2108	1	Sensor-Temperature
3	131-2105	1	Ring-Sealing	7	127-3074	1	O-Ring
4	131-2106	1	O-Ring	8	125-7216	3	Bolt

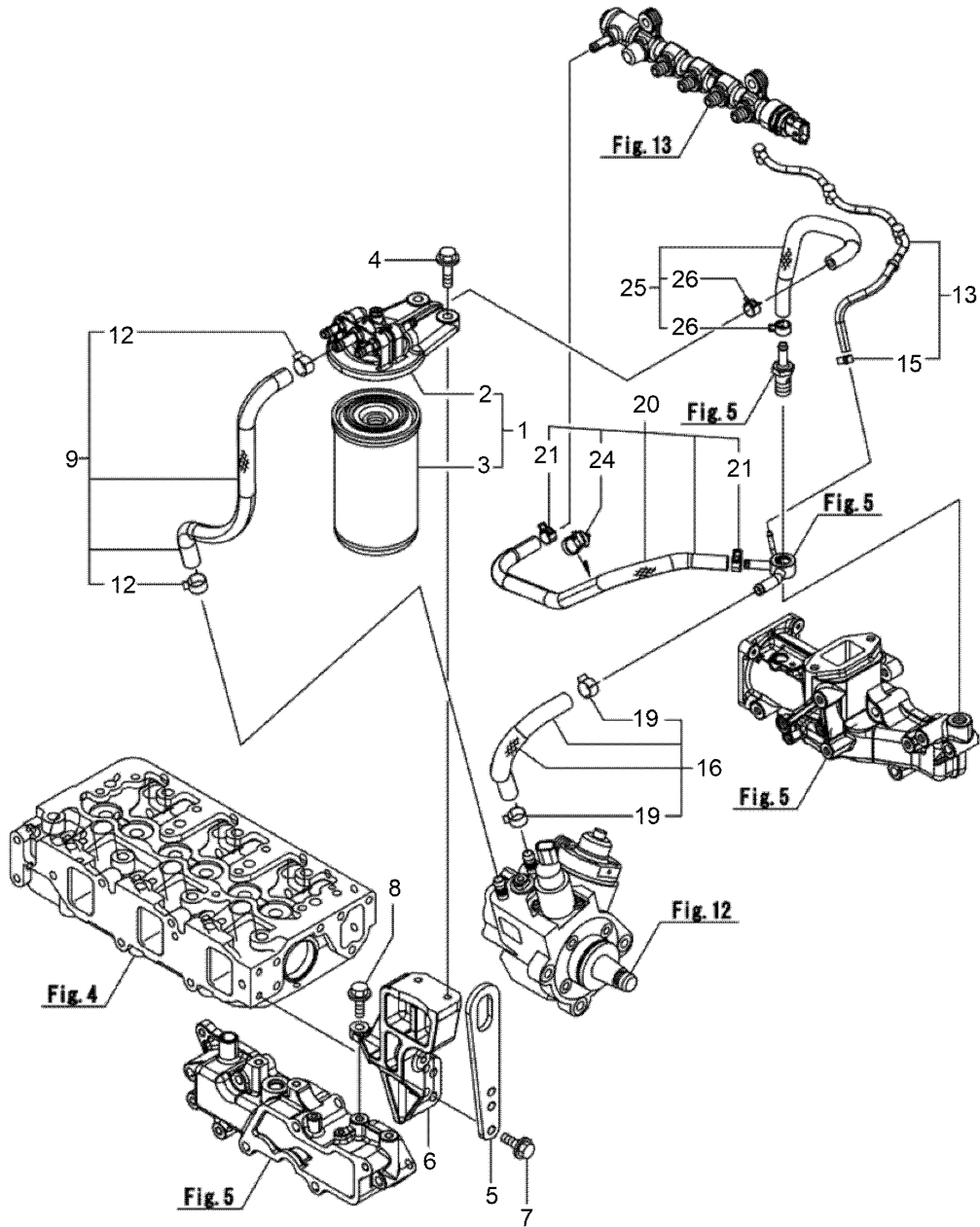
Fuel Injection Valve Assembly



Fuel Injection Valve Assembly (continued)

<i>Ref.</i>	<i>Part Number</i>	<i>Qty.</i>	<i>Description</i>	<i>Ref.</i>	<i>Part Number</i>	<i>Qty.</i>	<i>Description</i>
1	127-4754	3	Injector ASM	11	125-7215	2	Bolt
4	130-7430	3	Ring-Retaining	12	127-3813	2	Retainer
6	137-5173	3	O-Ring	14	127-3082	1	Rail In Pipe ASM
7	127-3812	1	Rail ASM	16	127-3814	1	Injection Pipe ASM
8	131-2709	1	Sensor-Pressure, Rail	17	127-3083	1	Injection Pipe ASM
9	131-2710	1	Valve ASM	18	127-3084	1	Injection Pipe ASM
10	130-7433	1	O-Ring	19	125-7231	2	Nut

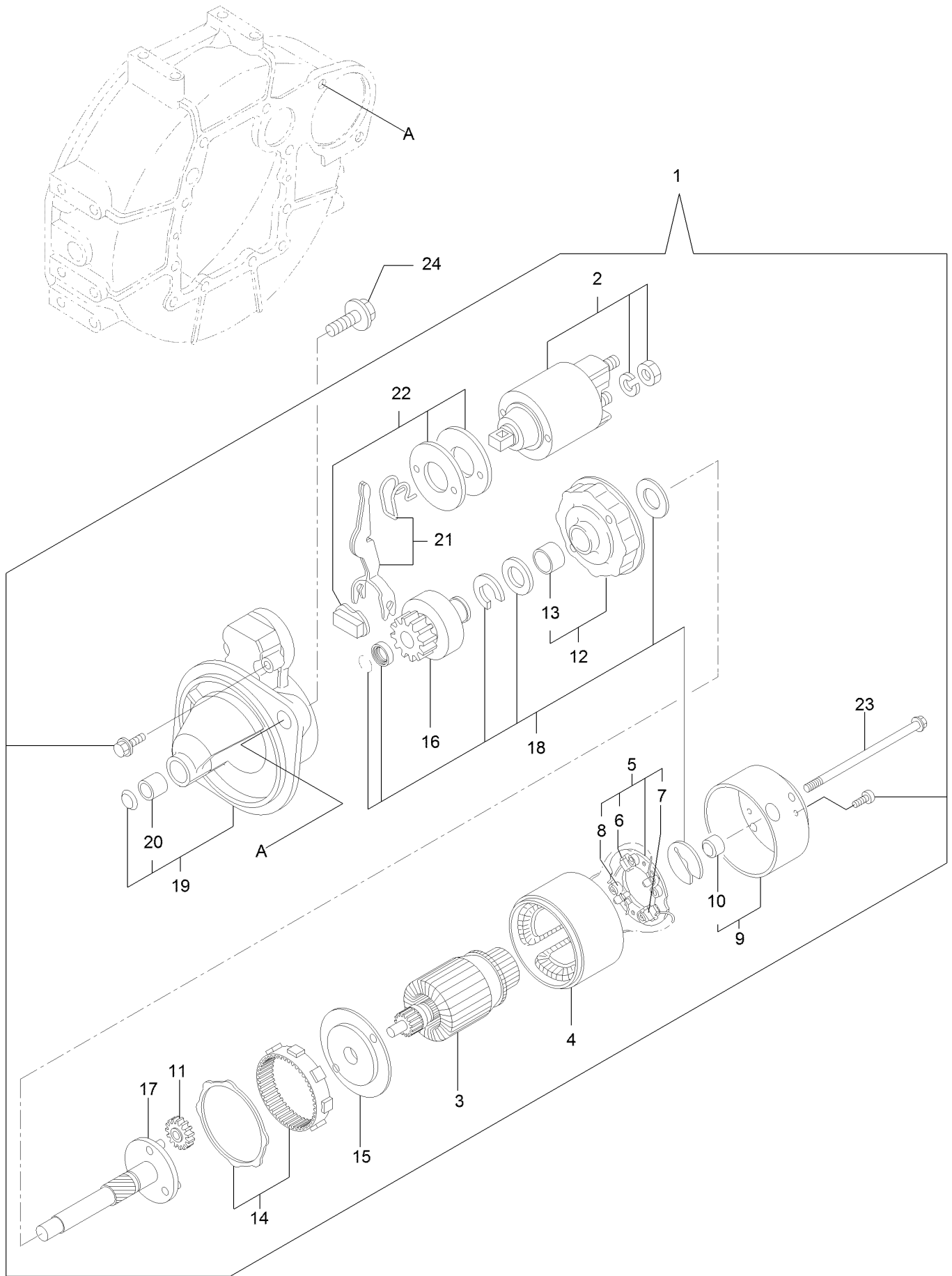
Fuel Pipe Assembly



Fuel Pipe Assembly (continued)

<i>Ref.</i>	<i>Part Number</i>	<i>Qty.</i>	<i>Description</i>	<i>Ref.</i>	<i>Part Number</i>	<i>Qty.</i>	<i>Description</i>
1	127-3075	1	Fuel/Oil Filter ASM	13	135-4023	1	Fuel/Oil Return Pipe ASM
2	127-3076	1	Fuel/Oil Filter Bracket ASM	15	127-3172	1	Clamp-Hose
3	125-8752	1	Filter-Fuel/Oil	16	127-3078	1	Fuel Pipe ASM
4	125-7216	2	Bolt	19	125-7191	2	Clamp-Hose
5	125-7111	1	Lifter	20	127-3817	1	Fuel Pipe ASM
6	127-3815	1	Filter Bracket ASM	21	127-2950	2	Clip-Hose
7	125-7215	2	Bolt	24	127-3087	1	Band-Clip
8	125-7215	1	Bolt	25	127-3079	1	Fuel Pipe ASM
9	127-3077	1	Fuel Pipe ASM	26	127-2950	2	Clip-Hose
12	125-7191	2	Clamp-Hose				

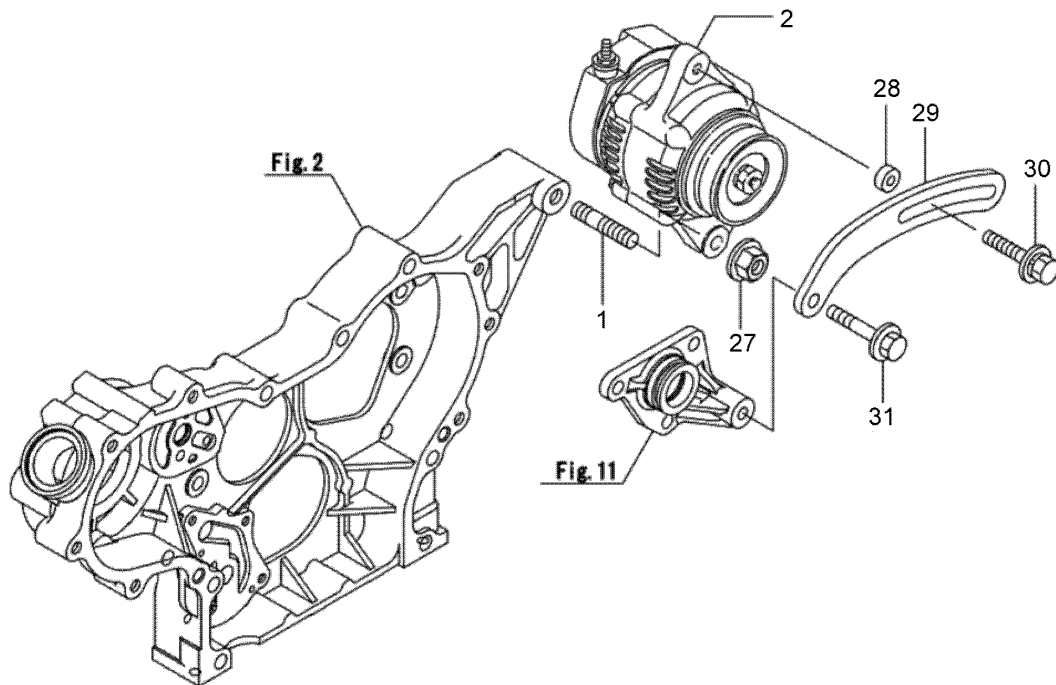
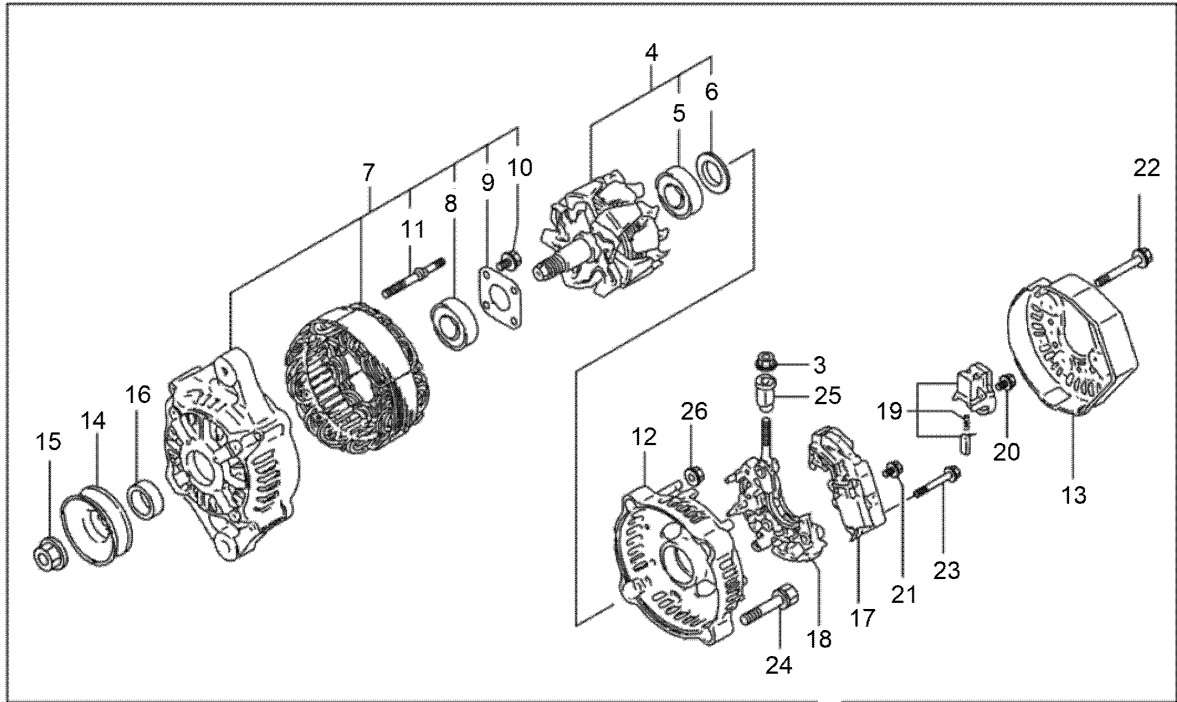
Starting Motor Assembly



Starting Motor Assembly (continued)

<i>Ref.</i>	<i>Part Number</i>	<i>Qty.</i>	<i>Description</i>	<i>Ref.</i>	<i>Part Number</i>	<i>Qty.</i>	<i>Description</i>
1	127-3818	1	Starter ASM	13	127-3830	1	Bracket
2	127-3819	1	Switch ASM	14	127-3831	1	Gear
3	127-3820	1	Armature ASM	15	127-3832	1	Bracket
4	127-3821	1	Yoke ASM	16	127-3833	1	Pinion ASM
5	127-3822	1	Brush Holder ASM	17	127-3834	1	Shaft
6	127-3823	2	Brush	18	127-3835	1	Washer Set
7	127-3824	1	Brush Set	19	127-3836	1	Case ASM
8	127-3825	4	Spring	20	127-3837	1	Metal-Starter
9	127-3826	1	Cover ASM	21	127-3838	1	Lever Set
10	127-3827	1	Metal	22	127-3839	1	Dust Cover ASM
11	127-3828	3	Gear	23	135-4024	2	Bolt-Through
12	127-3829	1	Bracket	24	125-7225	2	Bolt

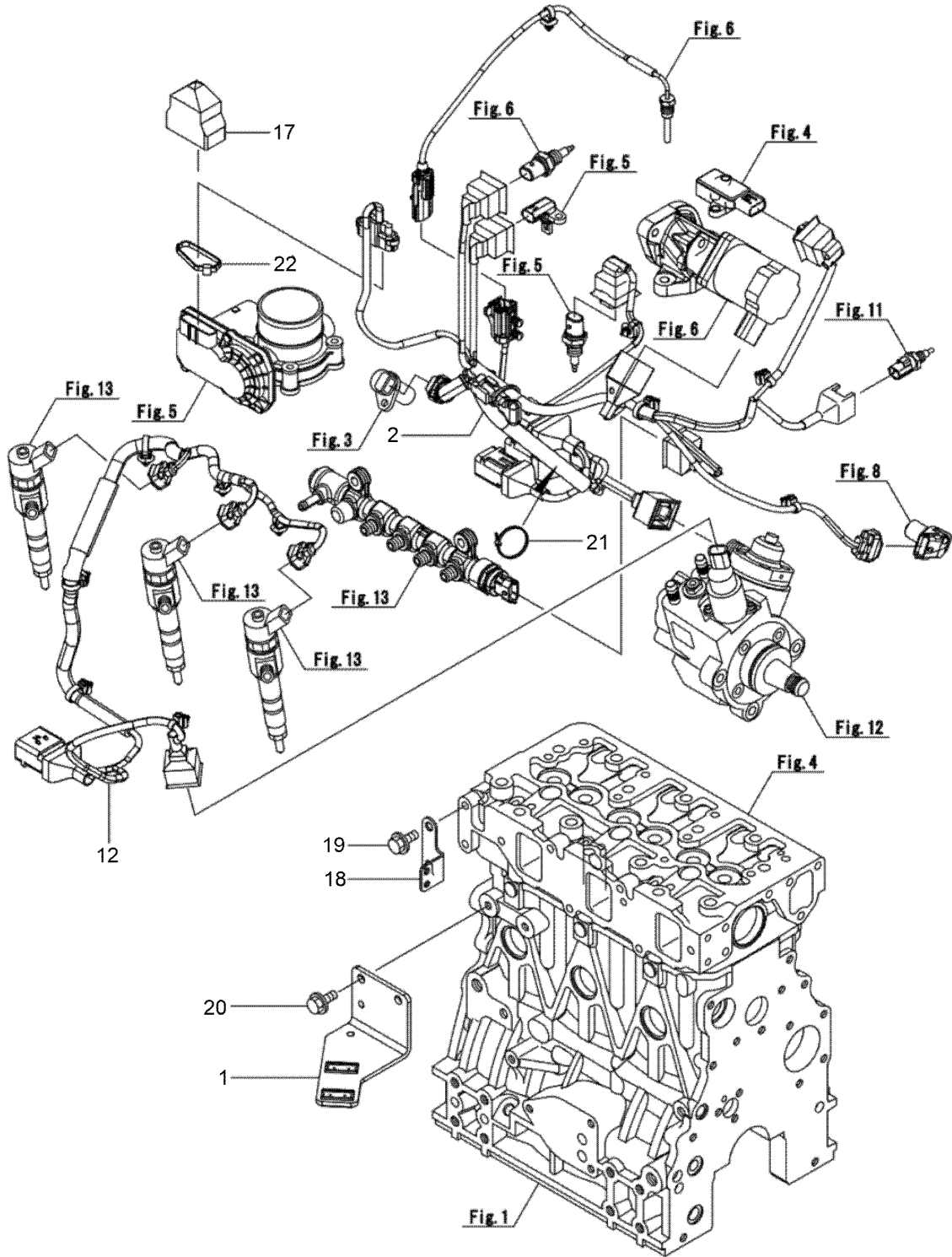
Generator Assembly



Generator Assembly (continued)

<i>Ref.</i>	<i>Part Number</i>	<i>Qty.</i>	<i>Description</i>	<i>Ref.</i>	<i>Part Number</i>	<i>Qty.</i>	<i>Description</i>
1	127-3011	1	Stud	17	144-0648	1	Regulator Assy
2	139-6018	1	Generator	18	127-3848	1	Holder
3	144-0647	1	Nut	19	127-2993	1	Holder
4	127-3843	1	Rotor ASM	20	127-2965	6	Screw
5	127-2983	1	Bearing-Ball	21	127-2966	1	Screw
6	127-2962	1	Cover	22	127-2967	3	Bolt
7	135-4025	1	Frame ASM	23	127-2968	2	Screw
8	127-2958	1	Bearing-Ball	24	127-2969	2	Bolt
9	127-2959	1	Plate-Retainer	25	127-2970	1	Bushing-Insulation
10	127-2960	4	Screw	26	127-2971	2	Nut
11	127-2961	2	Stud	27	125-7230	1	Nut
12	127-3845	1	Frame	28	125-6947	1	Spacer
13	127-3846	1	Cover	29	127-2977	1	Adjuster
14	127-2954	1	Pulley	30	135-4027	1	Bolt-Adjust
15	127-2955	1	Nut	31	125-7219	1	Bolt
16	127-2957	1	Collar				

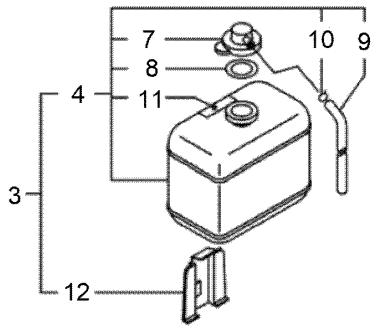
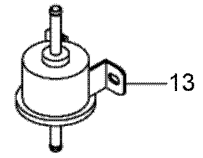
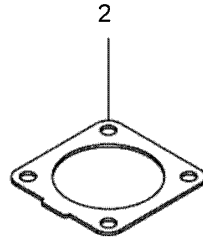
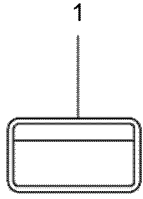
Electric Parts



Electric Parts (continued)

<i>Ref.</i>	<i>Part Number</i>	<i>Qty.</i>	<i>Description</i>	<i>Ref.</i>	<i>Part Number</i>	<i>Qty.</i>	<i>Description</i>
1	130-7436	1	Bracket-Connector	19	125-7212	2	Bolt
2	135-4029	1	Harness	20	125-7213	2	Bolt
12	130-7438	1	Harness	21	127-3187	1	Band
17	131-2713	1	Boot-Cap	22	127-3188	1	Band
18	127-3090	1	Bracket-Harness				

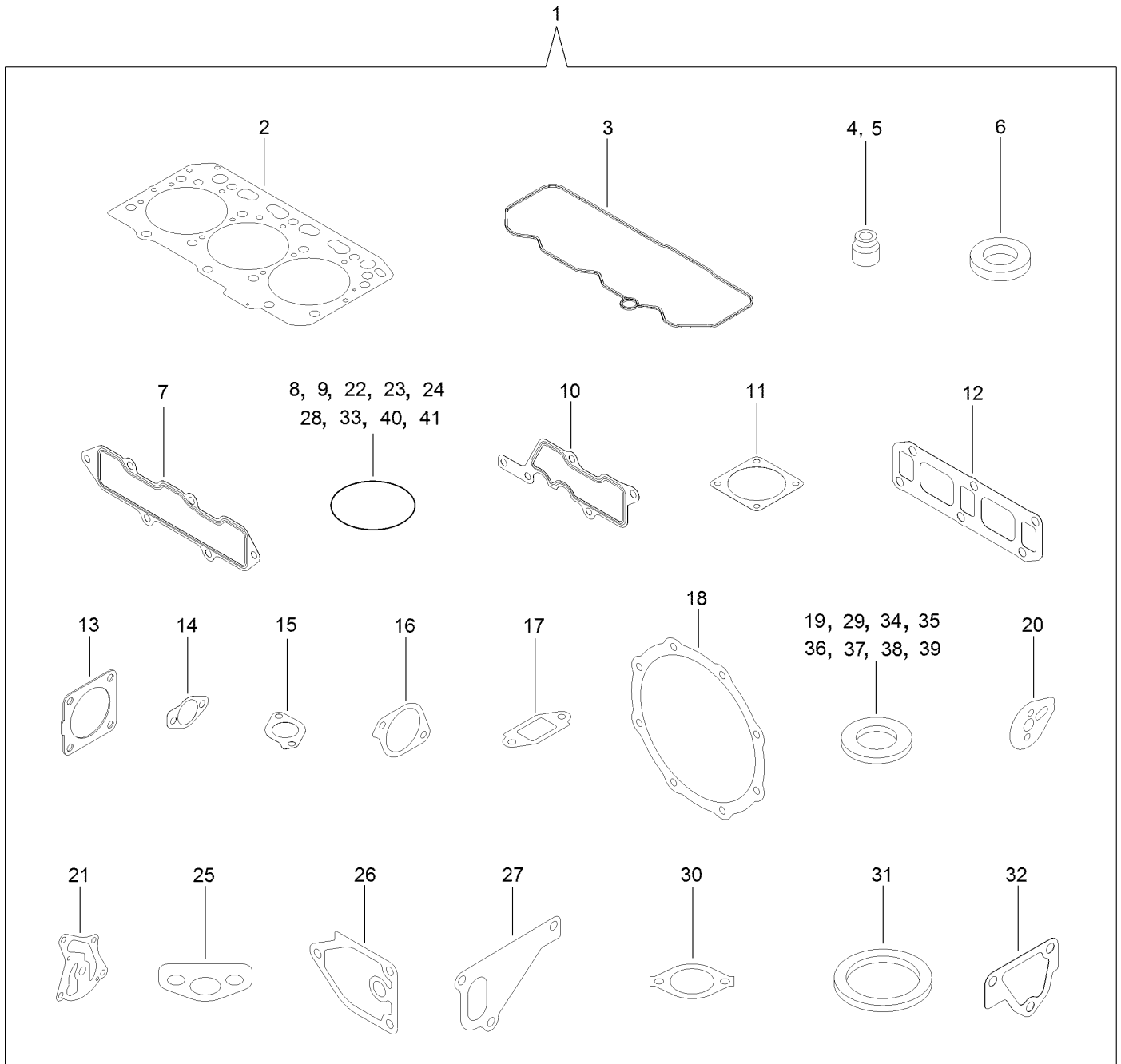
Accessory Assembly



Accessory Assembly (continued)

<i>Ref.</i>	<i>Part Number</i>	<i>Qty.</i>	<i>Description</i>	<i>Ref.</i>	<i>Part Number</i>	<i>Qty.</i>	<i>Description</i>
1	125-6900	1	Label-Caution, Fuel Oil	9	131-3898	1	Hose
2	121-3058	1	Gasket-Exhaust	10	131-3899	1	Clamp, Hose
3	131-3882	1	Tank Assy, Sub	11	131-3884	1	Label, Reserve Tank
4	131-3883	1	Tank Assy, Reserve	12	131-3885	1	Bracket, Sub Tank
7	131-3896	1	Cap	13	121-5613	1	Pump-Fuel, Electric
8	131-3897	1	Gasket, Cap				

Gasket Set



Gasket Set (continued)

<i>Ref.</i>	<i>Part Number</i>	<i>Qty.</i>	<i>Description</i>	<i>Ref.</i>	<i>Part Number</i>	<i>Qty.</i>	<i>Description</i>
1	130-7440	1	Packing (Gasket Set)	21	127-3004	1	Gasket
2	127-4716	1	Head Gasket ASM	22	125-6909	2	O-Ring
3	127-3762	1	Gasket-Cover, Cylinder Head	23	127-2973	1	O-Ring
4	127-2986	3	Seal-Stem, Valve	24	125-7075	1	O-Ring
5	127-3027	3	Seal-Stem, Valve	25	125-7022	1	Gasket
6	127-3021	3	Gasket-Injector	26	125-7024	1	Gasket
7	127-3769	1	Gasket-Manifold, Intake	27	125-7047	1	Gasket
8	127-3032	2	O Ring-Sensor, Pressure	28	125-7048	1	O-Ring
9	127-3033	1	O-Ring	29	125-6979	1	Gasket
10	127-3034	1	Gasket-Collector	30	125-7110	1	Gasket
11	127-3037	2	Gasket-Throttle	31	125-7026	1	Gasket
12	127-3775	1	Gasket-Manifold, Exhaust	32	125-6978	1	Gasket
13	127-2987	1	Gasket-Silencer	33	127-3074	1	O-Ring
14	127-3043	2	Gasket-Cooler, E G R	34	125-7174	1	Washer-Seal
15	127-3016	1	Gasket	35	125-7176	1	Washer-Seal
16	127-3050	1	Gasket-Intake Valve, E G R	36	127-3166	2	Washer-Seal
17	127-3051	1	Gasket-Out Valve, E G R	37	125-7177	1	Washer-Seal
18	127-3787	2	Gasket-D P F	38	125-7192	1	Gasket
19	127-3056	4	Gasket-Sensor	39	127-3174	2	Gasket
20	127-3069	1	Gasket-Idle, Shaft B	40	138-7829	3	O-Ring
				41	125-7197	2	O-Ring

Attachments and Accessories

For 31657 LT3340 4 Wheel Drive Triple Reel Mower

Product Name	Model/Part
Mk.3 200mm 4-Blade LH-Helix Cutter Unit	02805
Mk.3 200mm 6-Blade LH-Helix Cutter Unit	02806
Mk.3 200mm 8-Blade LH-Helix Cutter Unit	02807
Mk.3 200mm 10-Blade LH-Helix Cutter Unit	02808
Mk.3 250mm 4-Blade LH-Helix Cutter Unit	02815
Mk.3 250mm 6-Blade LH-Helix Cutter Unit	02816
Mk.3 250mm 8-Blade LH-Helix Cutter Unit	02817
Floating Cutting Unit Kit, 3-Plex Mower.....	02820
Smooth Roller 200mm (8in) Cutting Unit.....	02822
Grooved Roller 200mm (8in) Cutting Unit	02823
Road Lights Kit	02850
Flashing Led Beacon Kit.....	02856
Diff Lock Kit.....	02857
Reverse 4WD Kit	02858
Seat-Air-Ride Vinyl	02875
Seat-Air-Ride Fabric	02876
Kevlar Tyre Kit, LT3340 Triple Reel Mower or LT-F3000 Triple Flail Mower	02878
Blower Carrier Kit.....	02925
Slope Sensor Stage V Kit	02951
Cab Plus A/C	02955
Tüv Kit - Deck Cover 3-Gang Reels	02982
TÜV Kit - German Vehicle Serial Plate	02983
TÜV 25 KPH Speed Decal Kit.....	02990
Premium All Purpose Grease (Tube)	108-1190
Valve-Relief, Cross Over (Turftare Reduction Valve)	110-8882
Roller-Smooth Mk3 (Sealed for Life).....	111-1848
Warning Triangle	111-4250
Rear View Mirrors Kit.....	111-9895
Cable-USB/CAN Interface (Toro Diagnostics Cable)	115-1944
Wireless Hourmeter.....	115-4754
Premium Synthetic Bio-Degradable Hydraulic Fluid (5 Gallon Pail)	119-2157
Premium Synthetic Bio-Degradable Hydraulic Fluid (55 Gallon Drum).....	119-2158
Premium Engine Oil 10w30 (55 Gallon Drum)	121-6392
Premium Engine Oil 10w30 (5 Gallon Pail)	121-6393
Premium Engine Oil 15w40 (55 Gallon Drum)	121-6394
Premium Engine Oil 15w40 (5 Gallon Pail)	121-6395
Socket-USB	131-8388
PX Hydraulic Fluid (5 Gal)	133-8086
PX Hydraulic Fluid (55 Gal).....	133-8087
Storage Lock Kit	134-2167
High-Traction Tyres Kit	134-4567
Yanmar Diagnostic Tool Hardware.....	137-9223
Height Of Cut Gauge Kit	63-01-760
Fuse Block.....	92-2641

Notes:



Count on it.