

Parts Catalog

Twin Bagger

60in Zero Turn Radius Riding Mower

Model No. 79601—Serial No. 400000000 and Up



Ordering Replacement Parts

To order replacement parts, please supply the part number, the quantity, and the description of each part desired.

Understanding Reference Numbers

Each identified part in an illustration has a reference number. The reference number for a part also appears in the parts list, along with other information about the part.

This catalog uses two special reference number formats, one to indicate parts in a service assembly and another to indicate the quantity of a given part in an illustration.

Service Assembly Reference Numbers

Parts in service assemblies have reference numbers in the form a:b. The a represents the reference number of the entire service assembly and the b represents a sequential number unique to each part within the service assembly.

For example, a wheel assembly might be identified by reference number 6, the tire by 6:1, the valve by 6:2, and the wheel by 6:3. When you order the assembly identified by reference number 6, you receive all parts identified by reference numbers 6:1, 6:2, and 6:3. However, you may also order any part individually. Reference numbers of this type appear in illustration and in parts lists.

Reference Numbers Indicating Quantity

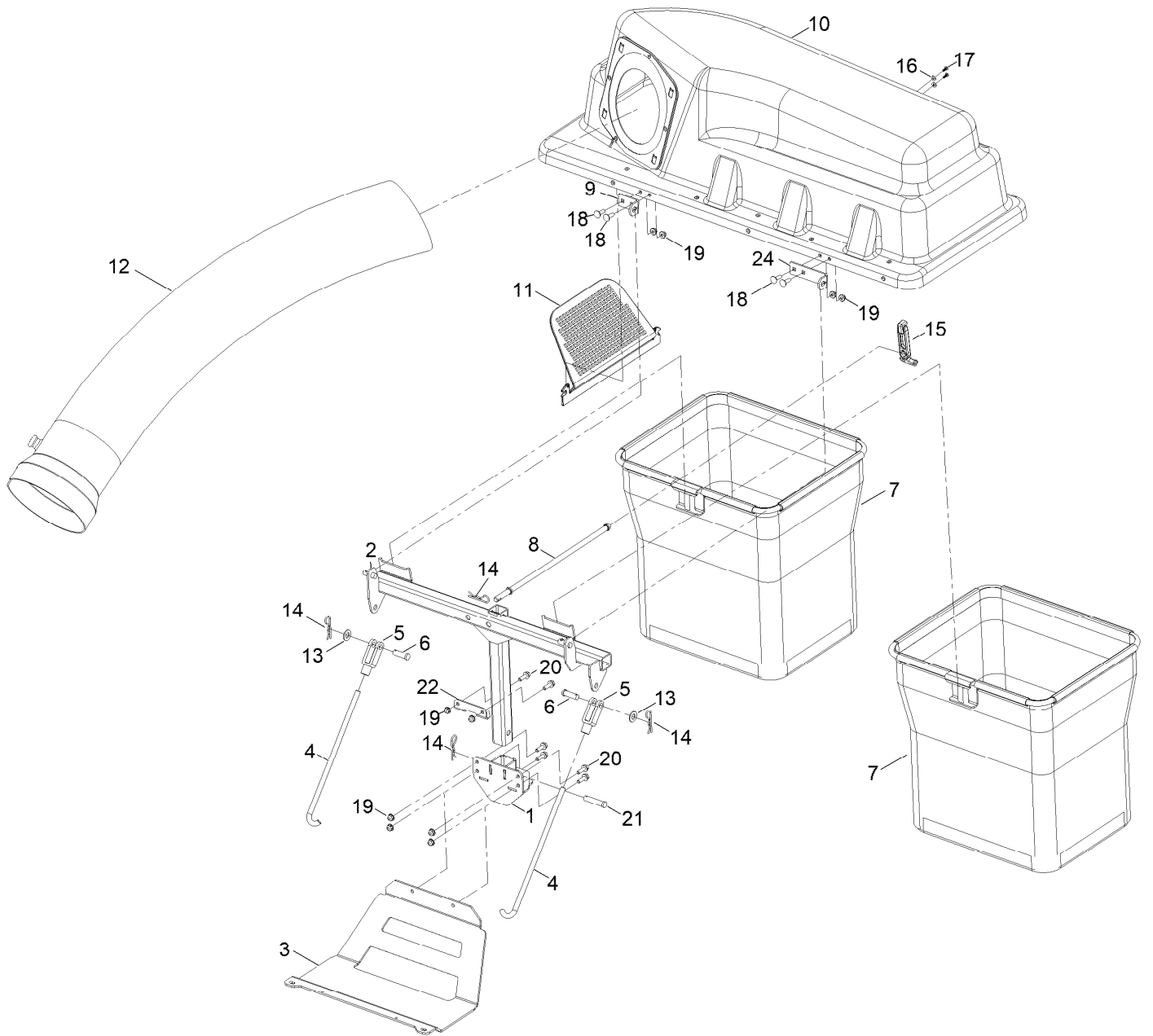
In an illustration, if a reference number indicates more than one part, the reference number has the form nX y. The n represents the quantity of the part, the X is the multiplication symbol, and the y represents the reference number.

For example, in an illustration, the reference number 2X 37 means that two of the parts identified by reference number 37 are indicated.

Contents

Twin Bag Assembly	4
Bag and Frame Assembly.....	6
Bagger Top Assembly No. 140-5096	8
Weight Assembly	10
Chute Assembly	12
Chute Assembly No. 139-7458	14

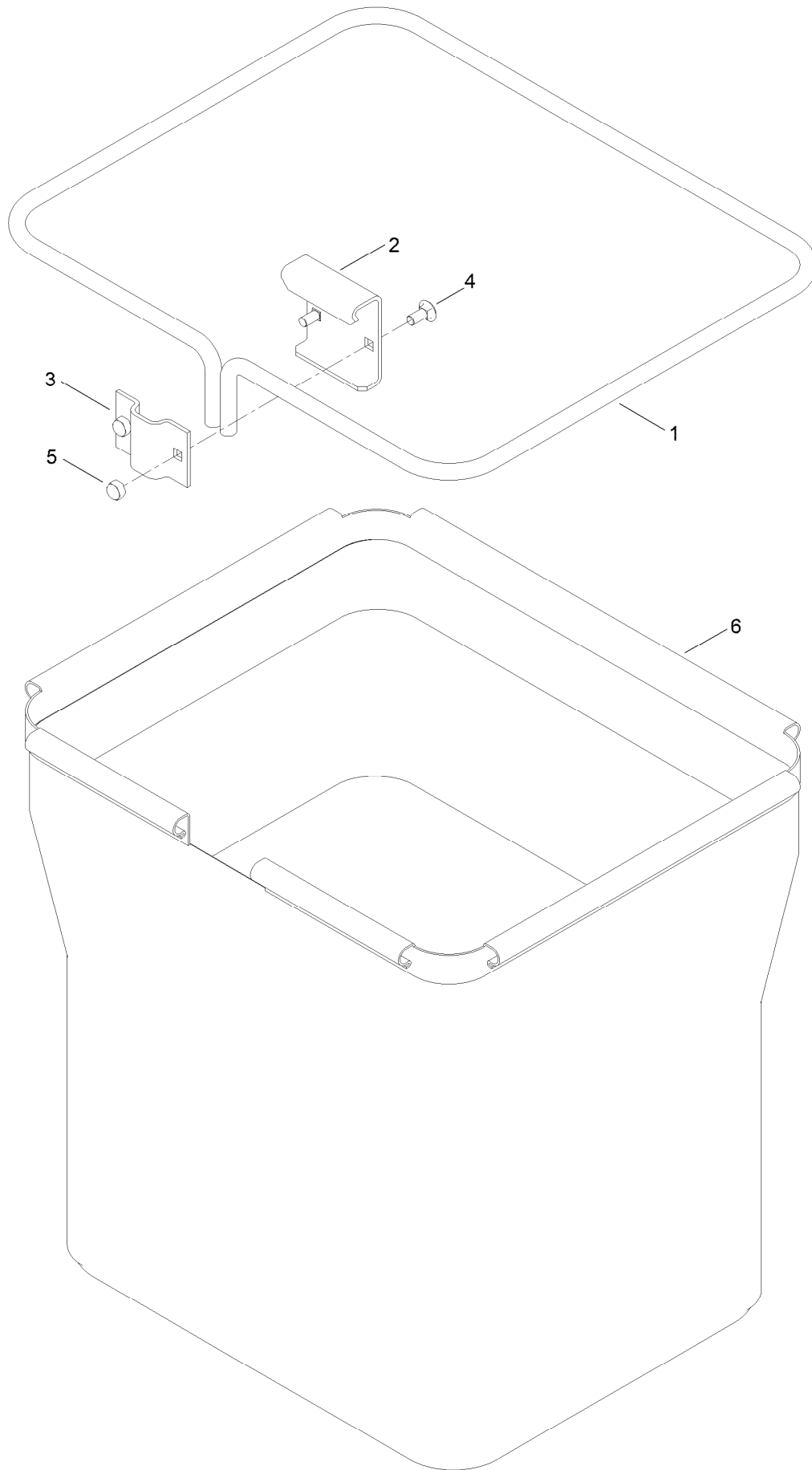
Twin Bag Assembly



Twin Bag Assembly (continued)

<i>Ref.</i>	<i>Part Number</i>	<i>Qty.</i>	<i>Description</i>	<i>Ref.</i>	<i>Part Number</i>	<i>Qty.</i>	<i>Description</i>
1	147-8803-03	1	Mount-Bagger [black]	13	139-2611	2	Washer-Flat
2	161-4501-03	1	Frame-Bagger [black]	14	139-2562	4	Pin-Hair
3	147-7716-03	1	Guard-Muffler [black]	15	116-4992	1	Latch-Rubber
4	161-4479	2	Rod-Bagger Support	16	137-3073	2	Washer-Plain
5	100-7338	2	Clevis	17	132-6919	2	Screw-Plastic, PTH
6	283-68	2	Pin-Clevis	18	110-3144	4	Bolt-CARR
7	161-6239	2	Bag ASM	19	119-4041	10	Nut-HF
8	131-4189	1	Rod-Hood, Down	20	139-2596	6	Screw-HHF
9	140-5016	1	Bracket-Hopper Pivot	21	92-2739	1	Pin-Clevis
10	140-5096	1	Top ASM-Bagger	22	147-8831-03	1	Plate-Bagger Stabilizer
11	112-3993	1	Screen-Bagger	24	147-5327	1	Bracket-Hopper Pivot
12	147-8758	1	Tube-Bagger				

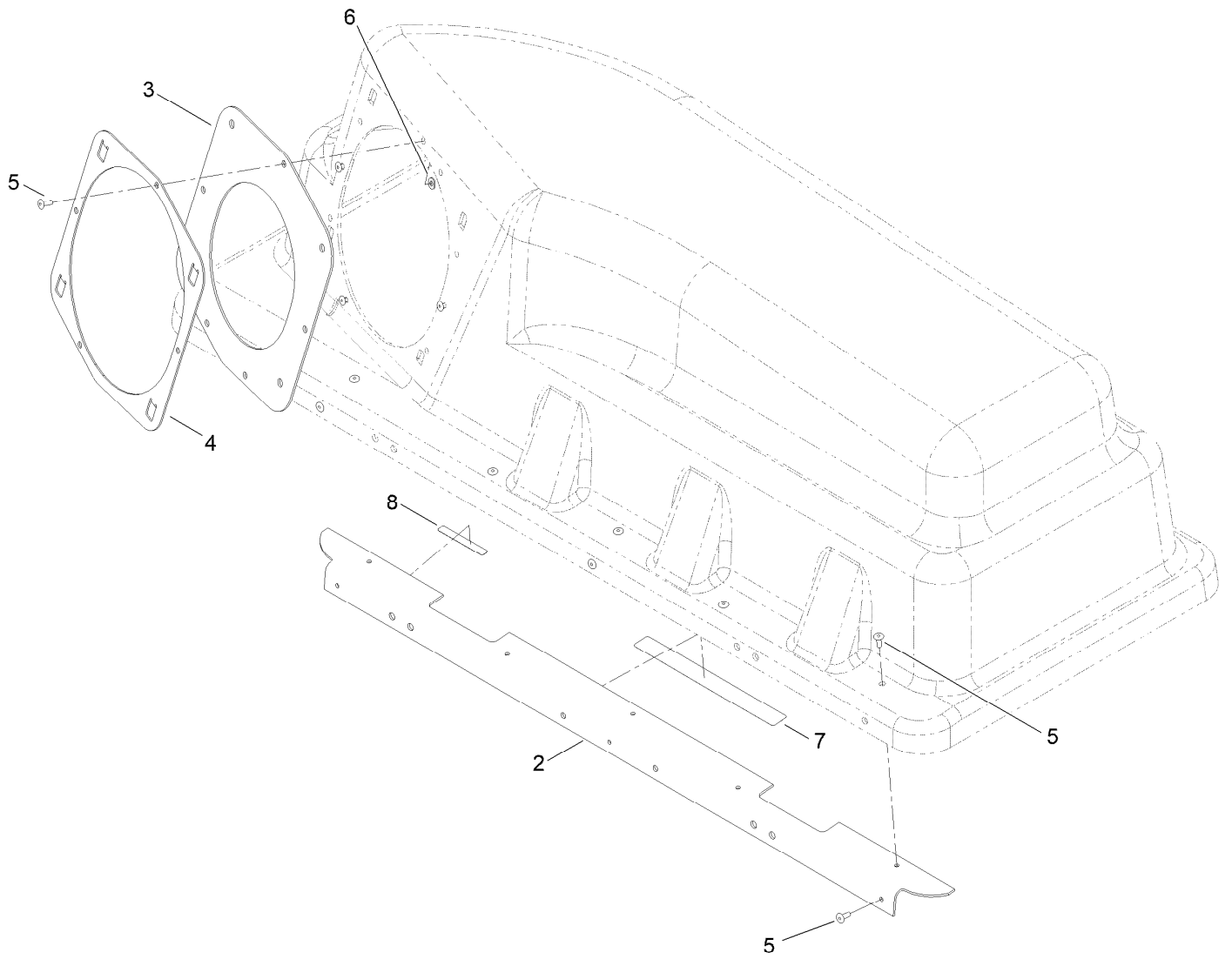
Bag and Frame Assembly



Bag and Frame Assembly (continued)

<i>Ref.</i>	<i>Part Number</i>	<i>Qty.</i>	<i>Description</i>	<i>Ref.</i>	<i>Part Number</i>	<i>Qty.</i>	<i>Description</i>
1	114972-03	1	Frame-Bag	4	139-2630	2	Bolt-CARR
2	114973-03	1	Hanger-Bag	5	119-4038	2	Nut-Hex
3	114974-03	1	Clamp	6	140-5192	1	Bag ASM 20In Depth

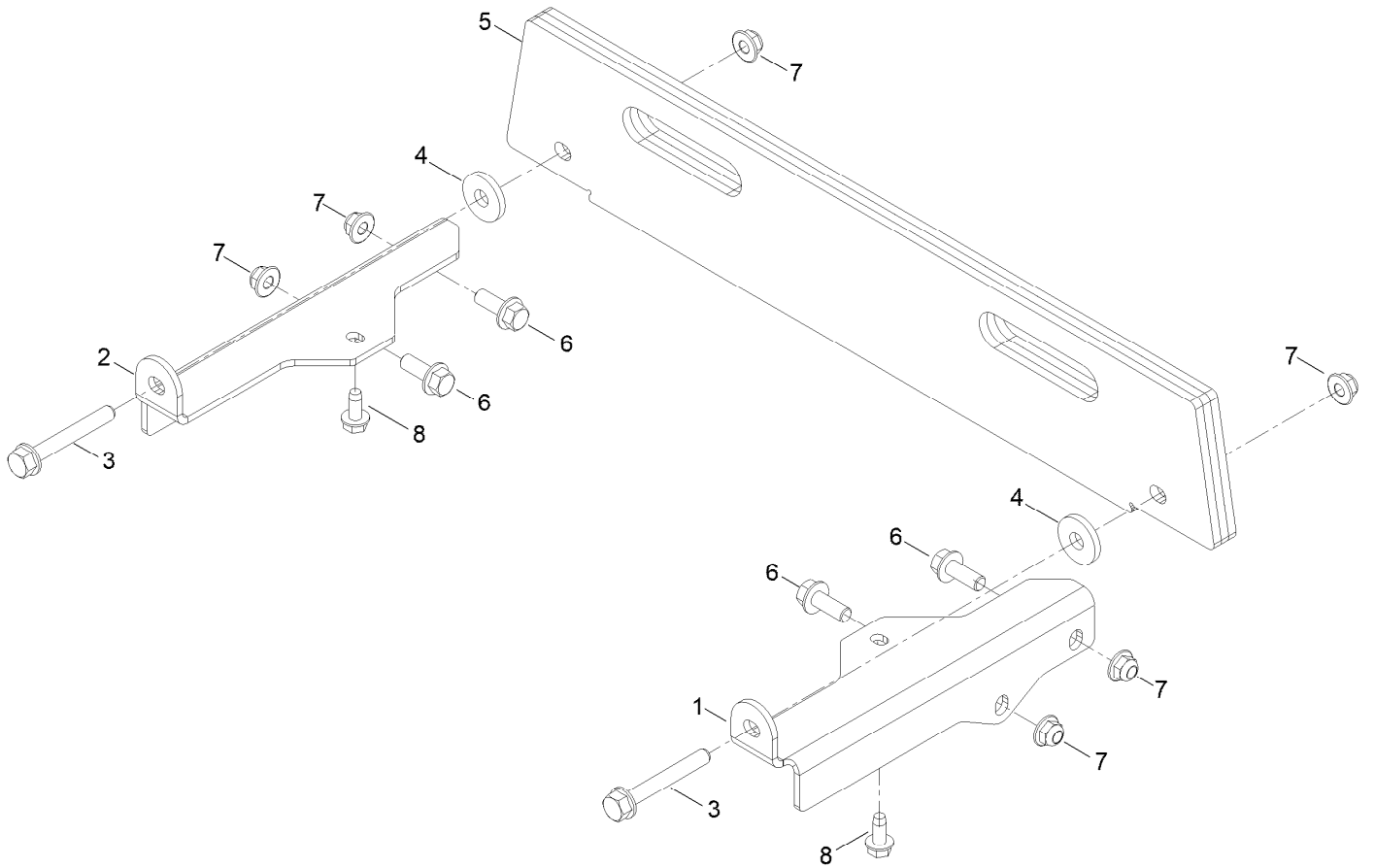
Bagger Top Assembly No. 140-5096



Bagger Top Assembly No. 140-5096 (continued)

<i>Ref.</i>	<i>Part Number</i>	<i>Qty.</i>	<i>Description</i>	<i>Ref.</i>	<i>Part Number</i>	<i>Qty.</i>	<i>Description</i>
2	116-1242-03	1	Stiffener-Bagger Top	6	137-3073	4	Washer-Plain
3	112-4001	1	Gasket	7	109-6809	1	Decal-Caution, Bagger
4	112-4000-03	1	Ring-Retainer	8	133-8061	1	Decal-Warning
5	114439	12	Rivet-Blind				

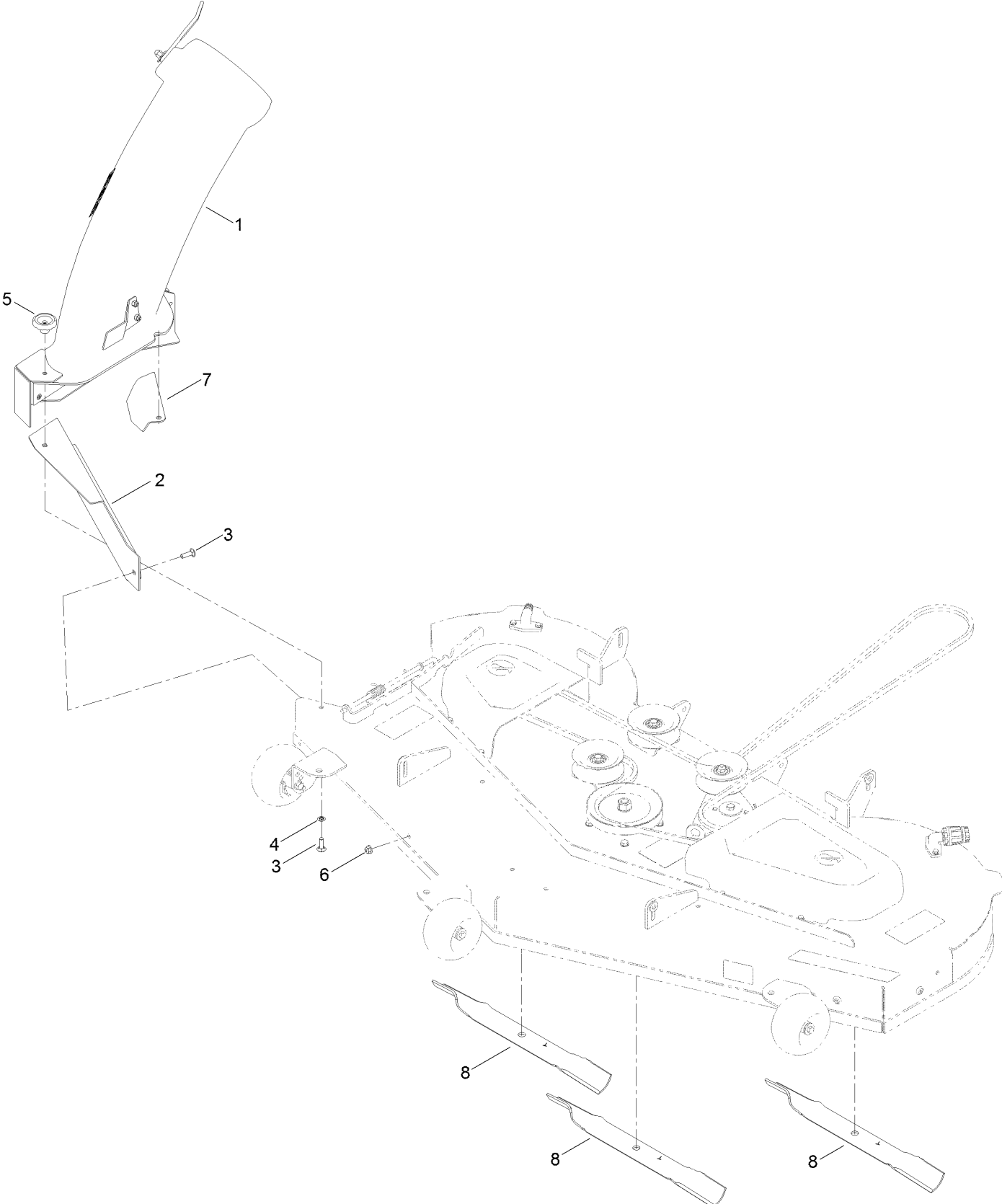
Weight Assembly



Weight Assembly (continued)

<i>Ref.</i>	<i>Part Number</i>	<i>Qty.</i>	<i>Description</i>	<i>Ref.</i>	<i>Part Number</i>	<i>Qty.</i>	<i>Description</i>
1	147-7581-03	1	Bracket-Weight Tc [black]	5	147-7582-03	3	Weight-Bagger
2	147-7583-03	1	Bracket-Weight Tc [black]	6	139-2597	4	Screw-HHF
3	140-5097	2	Screw-Spcl	7	119-4042	6	Nut-HF, NI
4	87-5330	2	Washer	8	32144-70	2	Screw-HWHTF

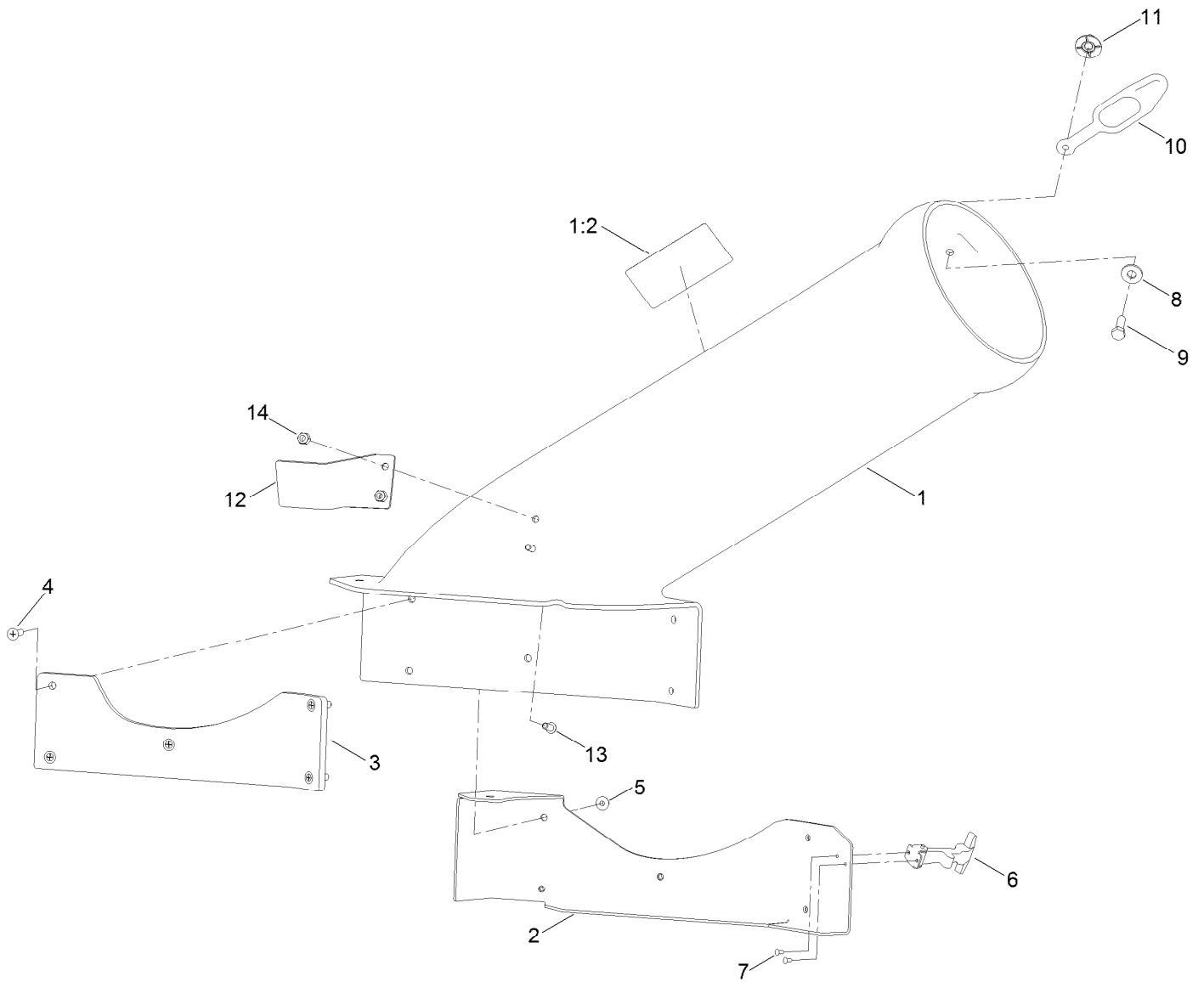
Chute Assembly



Chute Assembly (continued)

<i>Ref.</i>	<i>Part Number</i>	<i>Qty.</i>	<i>Description</i>	<i>Ref.</i>	<i>Part Number</i>	<i>Qty.</i>	<i>Description</i>
1	139-7458	1	60 Inch Bagger Boot ASM	5	19-4050	1	Knob
2	139-5896-03	1	Baffle-Bagger, Front	6	119-4041	1	Nut-HF
3	139-2587	2	Screw-CARR	7	139-5895-03	1	Baffle-Cutoff
4	109-5667	1	Nut-Push	8	115-5001-03	3	Blade-20.50 Inch

Chute Assembly No. 139-7458



Chute Assembly No. 139-7458 (continued)

<i>Ref.</i>	<i>Part Number</i>	<i>Qty.</i>	<i>Description</i>
1	140-3466	1	60 In Bagger Boot ASM
1:2	110-6691	1	Decal-Danger
2	139-7457-03	1	Plate-Cover, Boot
3	139-7453	1	Spacer-Rubber
4	140-5095	5	Screw-PFH
5	137-3005	5	Nut-HF
6	117344	1	Handle ASM
7	3269-31	2	Rivet-Pop

<i>Ref.</i>	<i>Part Number</i>	<i>Qty.</i>	<i>Description</i>
8	139-1723	1	Washer-Flat
9	139-1716	1	Screw-HH
10	82-5690	1	Retainer-Duct
11	114-9015	1	Nut-Impeller
12	140-2064-03	1	Prop-Deflector
13	3274-69	2	Screw-HSBH
14	137-3088	2	Nut-Hex

