



Count on it.

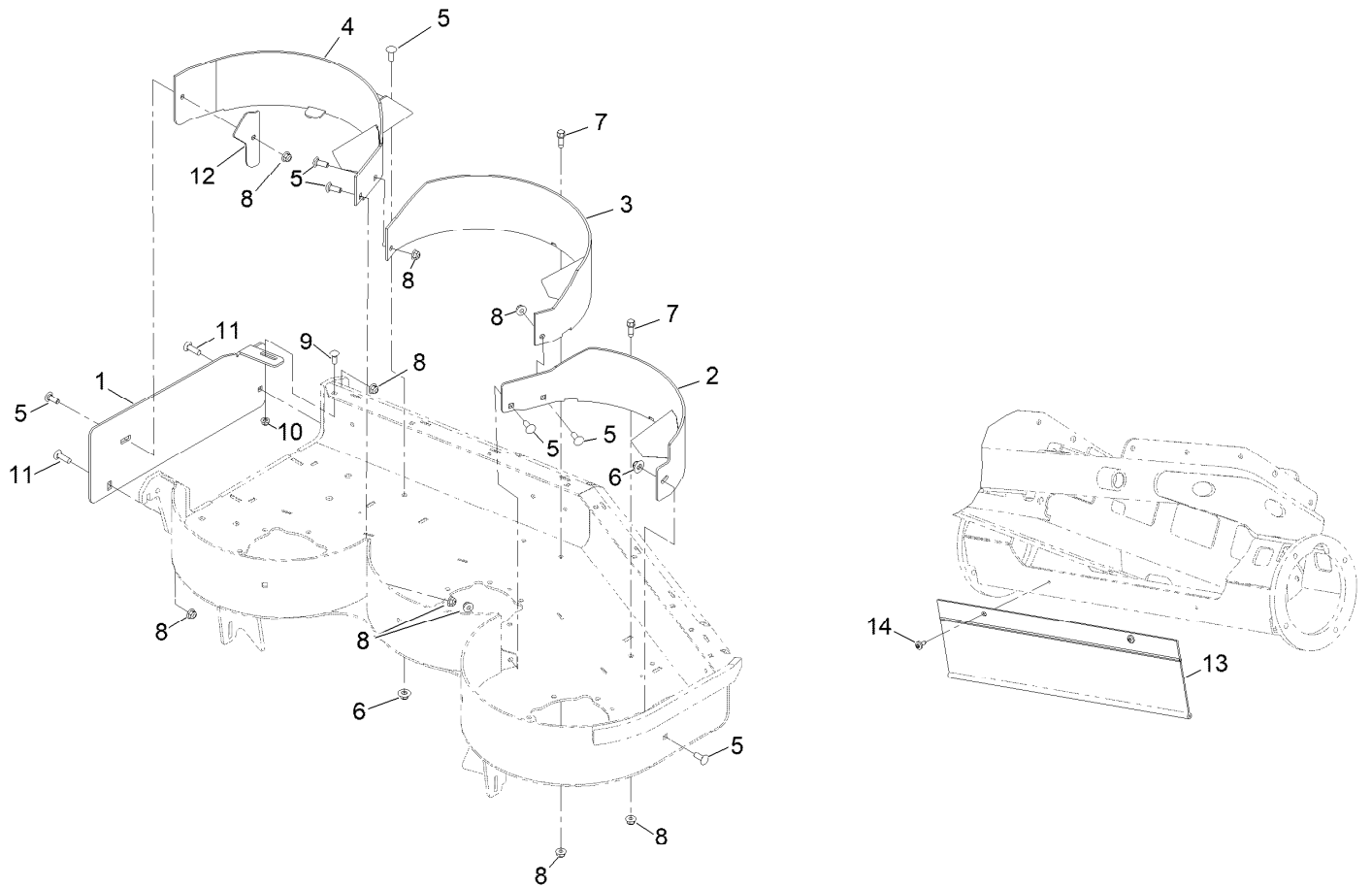
Parts Catalog

Recycler® Kit

**GrandStand® Revolution® Mower with
48in/122cm TURBO FORCE® Cutting Unit**

Model No. 147-0315





48 Inch Recycler Kit Assembly No. 147-0315

| <i>Ref.</i> | <i>Part Number</i> | <i>Qty.</i> | <i>Description</i> |
|-------------|--------------------|-------------|------------------------|
| 1 | 115-7471-01 | 1 | Plate-Cover, Discharge |
| 2 | 115-7473-01 | 1 | Baffle-LH |
| 3 | 115-7474-01 | 1 | Baffle-Center |
| 4 | 139-6651-01 | 1 | RH Baffle ASM |
| 5 | 3231-22 | 7 | Screw-CARR |
| 6 | 109-6658 | 2 | Nut-Flange, NI |
| 7 | 92-1624 | 2 | Screw-HWH Thd Form |
| 8 | 104-8301 | 9 | Nut-HF, NI |
| 9 | 3230-16 | 1 | Screw-CARR |
| 10 | 104-8300 | 1 | Nut-HF, NI |
| 11 | 3231-28 | 2 | Screw-CARR |
| 12 | 144-3726-01 | 1 | Plate-Side Cover |
| 13 | 161-3556 | 1 | Shield-Trailing |
| 14 | 120-7950 | 2 | Screw-Torx |