



High-Rise Kit

HoverPro® and eHoverPro™ 450 Machine

Model No. 02619

Installation Instructions

Installation

Loose Parts

Use the chart below to verify that all parts have been shipped.

Description	Qty.	Use
No parts required	–	Prepare the machine.
Extension bumper	1	Install the kit.
Spacer	10	
Nylon screw	10	
Rubber washer	10	
Nylon nut	10	

Note: Please refer to the safety and operating instructions in the *Operator's Manual* before fitting and using this kit.

This product adds 35 mm (1.4 inches) to the height of cut.

Preparing the Machine

HoverPro 450

1. Shut off the engine and wait for all moving parts to stop.
2. Disconnect the wire from the spark plug.
3. Drain all the fuel and the oil from the engine; refer to your *Operator's Manual*.
4. Turn the fuel switch to the Off position.

eHoverPro 450

1. Shut off the machine and wait for all moving parts to stop.
2. Remove the electric-start button.
3. Remove the battery.

Installing the Kit

1. Turn the mower deck upside down and set blocks underneath the deck to prevent it from tilting.

▲ WARNING

The blade is sharp; contacting the blade may result in serious personal injury.

Keep away from the blade when you turn the HoverPro deck upside down.

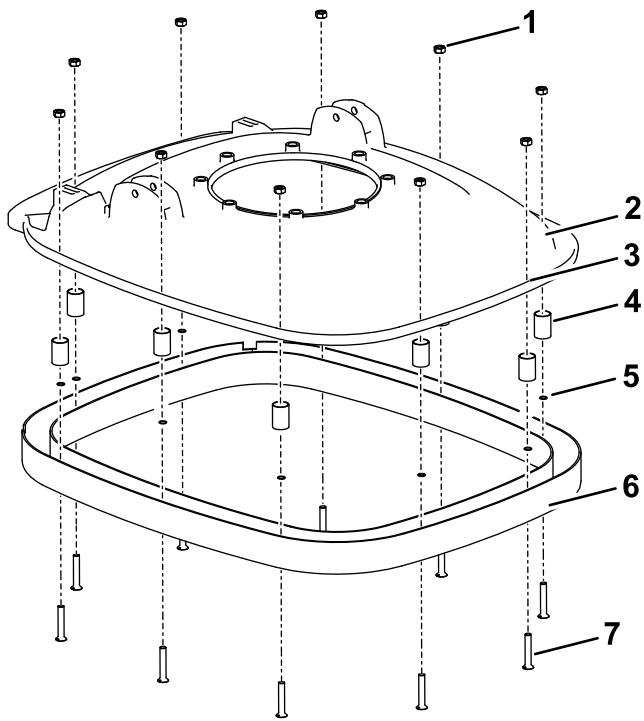
2. Install the extension bumper over the deck as shown in [Figure 1](#).
3. Use the extension bumper as a template and mark the location of each of the 10 holes in the bumper extension onto the mower deck.
4. Remove the extension bumper and drill 10 holes (8.5 mm diameter) in the locations shown in [Figure 1](#).

Note: Wear eye protection when drilling the holes.

5. Secure the extension bumper to the mower deck using the fasteners and spacers from in the kit as shown in [Figure 1](#).

Note: Use the rubber washers to hold the nylon screws in position to make the installation easier.





g461188

Figure 1

- | | |
|---------------------------|-------------------------|
| 1. Nylon nut (10) | 5. Rubber washer (10) |
| 2. Mower deck (1) | 6. Extension bumper (1) |
| 3. Drill 8.5 mm hole (10) | 7. Nylon screw (10) |
| 4. Spacer (10) | |