



# 48in, 52in, and 60in Recycler® Kit

3465-647A

Model No. 147-0310

Model No. 147-0315

Model No. 147-0320

## Installation Instructions

**Note:** For optimal performance, use this kit with Recycler blades (sold separately).

## Safety



### DANGER



An uncovered discharge opening allows objects to be thrown toward you or bystanders. Also, contact with the blade could occur. Thrown objects or blade contact will cause serious injury or death.

Do not operate the mower with the discharge deflector raised, removed, or altered unless a grass collection system or mulch kit is in place and working properly.

## Preparing the Machine

1. Park the machine on a level surface, disengage the PTO, and engage the parking brake (if applicable).
2. Shut off the machine, remove the key, and wait for all moving parts to stop before leaving the operating position.
3. For electric machines, turn the battery-disconnect switch to the OFF position; for machines with a lead-acid battery, disconnect the negative (black) cable from the negative (-) battery post.
4. Repair all bent or damaged areas of mower deck and replace any missing parts.
5. Clean the machine of any debris on the deck to ease installation.
6. Raise the front of the machine so that you can access beneath the mower deck. Support the machine using jack stands rated for the weight of the machine.



### WARNING



Mechanical or hydraulic jacks may fail to support the machine and cause a serious injury.

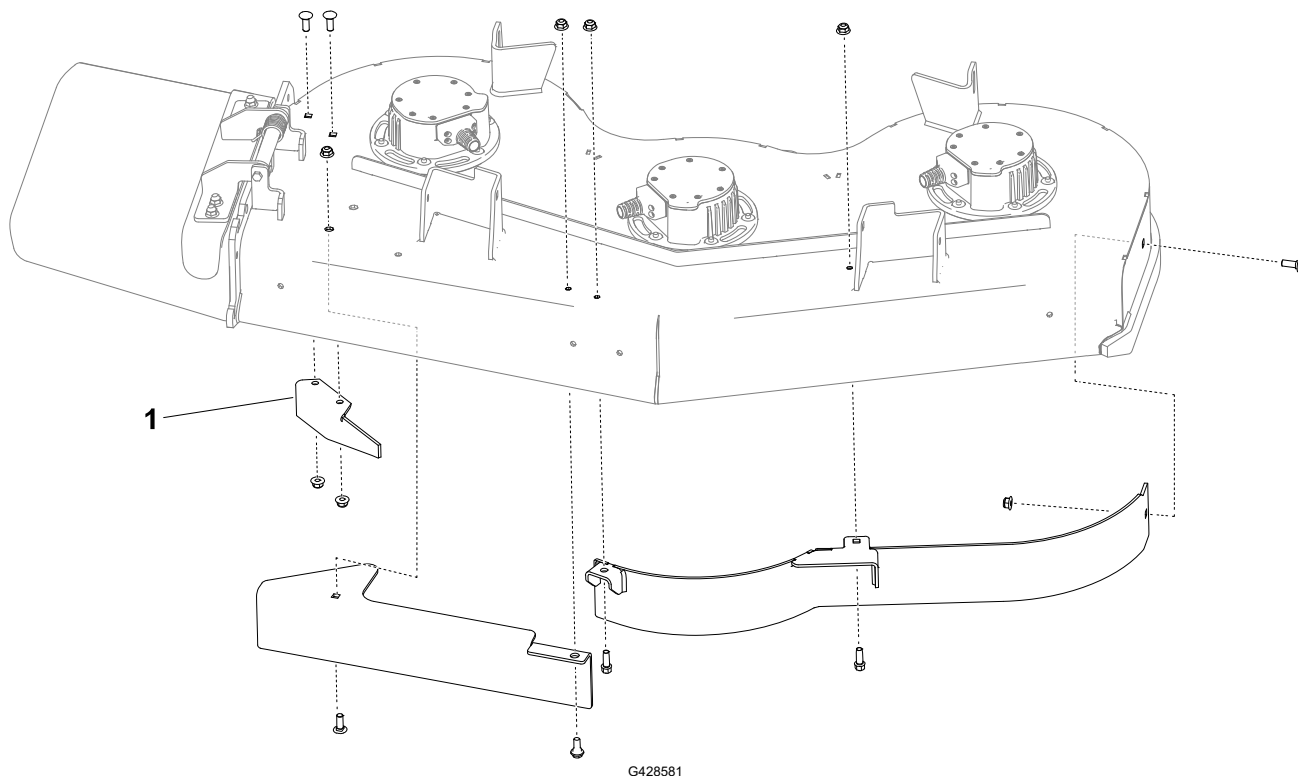
- Do not rely solely on mechanical or hydraulic jacks to support the machine.
- Support the machine with jack stands whenever you raise the machine.



7. Remove the existing blades; refer to the *Operator's Manual* for the machine.

## Removing the Existing Baffles

### For Mower Decks with Existing Baffles

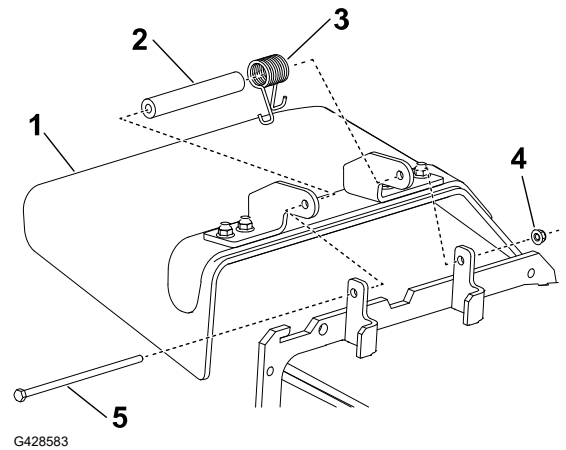


1. Remove the baffles from the mower deck. Retain the baffles and hardware.  
**Note:** Remove the nuts before removing the bolts.
2. After removing the discharge baffle ①, install the nuts and bolts into the mower deck.

# Removing the Discharge Chute

1. Remove the locknut (4), bolt (5), spring (3), and spacer (2) holding the grass deflector (1) to the pivot brackets.
2. Remove the grass deflector.

**Note:** Retain the hardware that you removed during this procedure so that it is available for changeover.



# Drilling Holes

For G3 Mower Decks



## WARNING



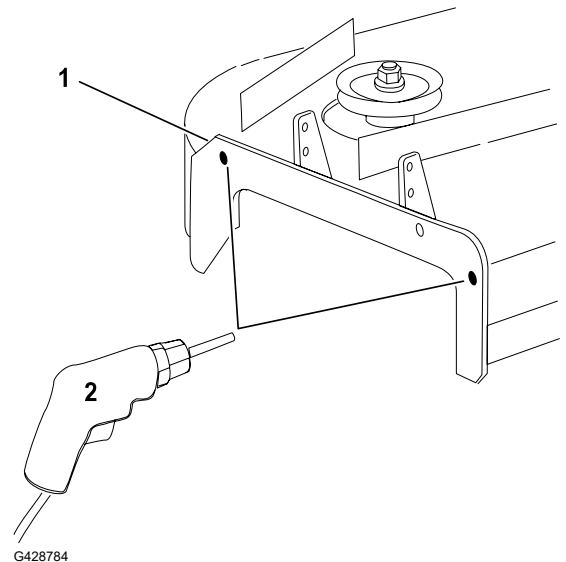
Using a drill without proper eye protection may allow debris to enter the eye, causing injury.

When drilling, always wear eye protection.

1. Check the hole diameters in the locations shown.
2. If there are no holes in the side discharge mounting bracket (1), use the discharge plate as a template and mark the location of the holes.

**Note:** For the upper rear hole, use the upper part of the slot to mark the location of the hole. This will allow for clearance of the nut when the discharge plate is installed.

3. Drill 2 holes (7/16 inch) (2).



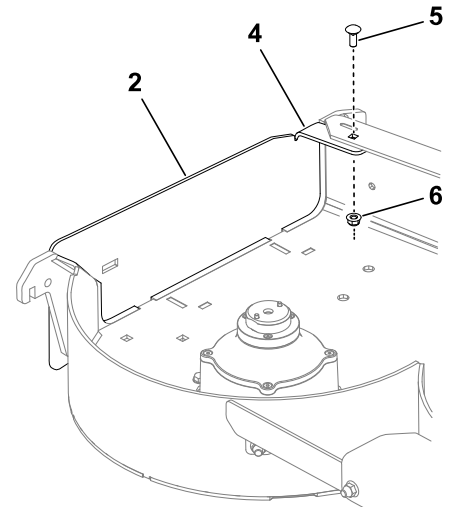
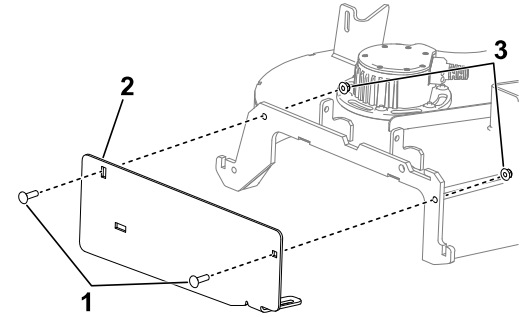
# Installing the Discharge Plate

## Parts Required

1	Discharge plate
2	Carriage bolt (3/8 x 1-1/4 inches)
1	Carriage bolt (5/16 x 7/8 inch)
2	Flange nut (small flange) (3/8 inch)
1	Flange nut (5/16 inch)

1. Install the discharge plate (2) to the outside of the mounting bracket with 2 carriage bolts (3/8 x 1-1/4 inches) (1) and 2 flange nuts (small flange) (3/8 inch) (3).
2. Install the tab to the inside of the mower deck with 1 carriage bolt (5/16 x 7/8 inch) (5) and 1 flange nut (5/16 inch) (small flange) (6).

**Note:** Ensure that the tab (4) is positioned inside the mower deck.



G428619

# Installing the Baffles

## 48 Inch Decks

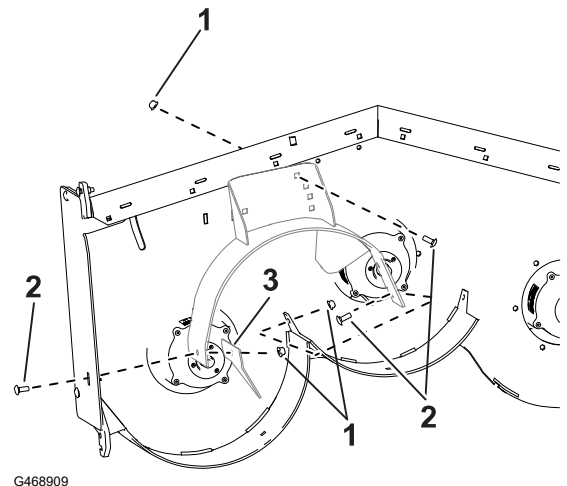
### Parts Required

1	Left baffle
1	Center baffle
1	Right baffle
7	Carriage bolt (3/8 x 1 inch)
2	Flange nut (large flange) (3/8 inch)
2	Bolt (3/8 x 1 inch)
7	Flange nut (small flange) (3/8 inch)
1	Side plate (Grandstand decks only)

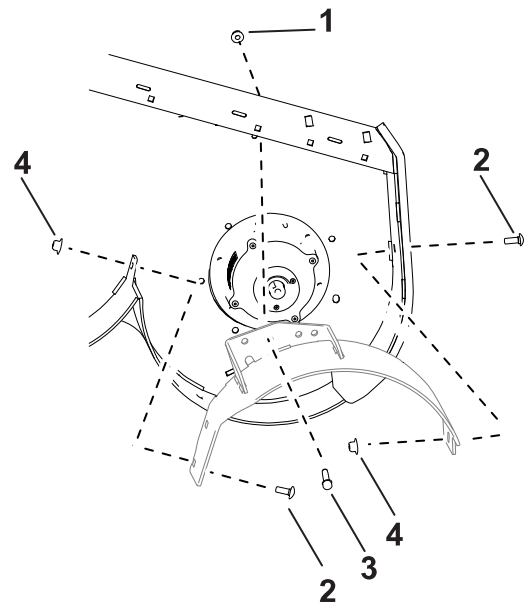
**Note:** Loosely install the baffles to align the baffles with all holes in the mower.

Recycler kit installs to the inside of the deck ears on Z-Master decks and to the outside of the deck ears on Grandstand decks.

1. Position the right baffle into the mower.
2. Loosely install the side plate (Grandstand decks only) ③ and the right baffle with 2 carriage bolts (3/8 x 1 inch) ② and 2 flange nuts (small flange) (3/8 inch) ① .
3. Loosely install the right baffle to the top of the mower deck with 1 carriage bolt (3/8 x 1 inch) and 1 flange nut (small flange) (3/8 inch).

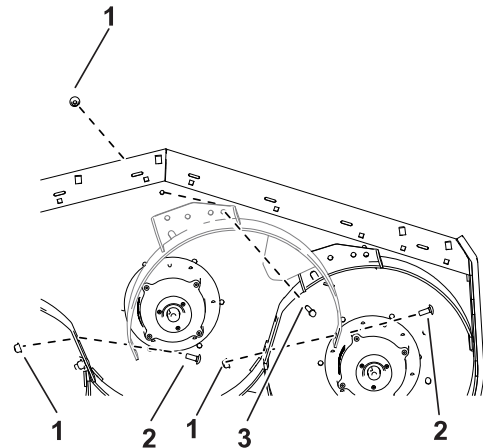


4. Position the left baffle into the mower.
5. Loosely install the left baffle to the top of the mower deck with 1 bolt (3/8 x 1 inch) (3) and 1 flange nut (small flange) (3/8 inch) (1).
6. Loosely install the left baffle to the side of the mower deck with 2 carriage bolts (3/8 x 1 inch) (2) and 2 flange nuts (large flange) (3/8 inch) (4).



G468249

7. Position the center baffle into the mower.
8. Loosely install the center baffle to the left baffle with 1 carriage bolt (3/8 x 1 inch) (2) and 1 flange nut (small flange) (3/8 inch) (1).
9. Loosely install the center baffle to the right baffle with 1 carriage bolt (3/8 x 1 inch) and 1 flange nut (small flange) (3/8 inch).
10. Loosely install the center baffle to the top of the mower deck with 1 bolt (3/8 x 1 inch) (3) and 1 flange nut (small flange) (3/8 inch).
11. Tighten all fasteners.



G468910

# Installing the Baffles

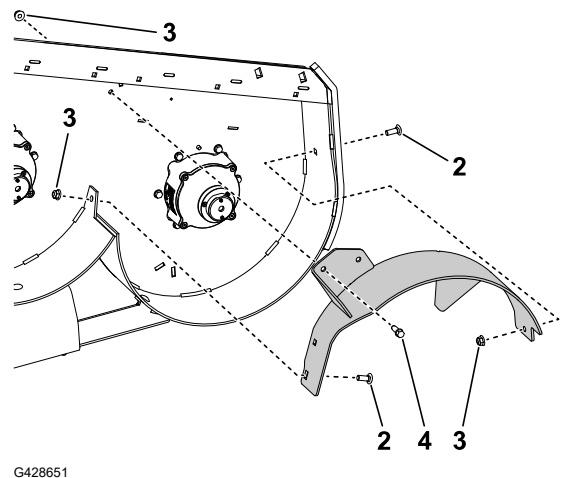
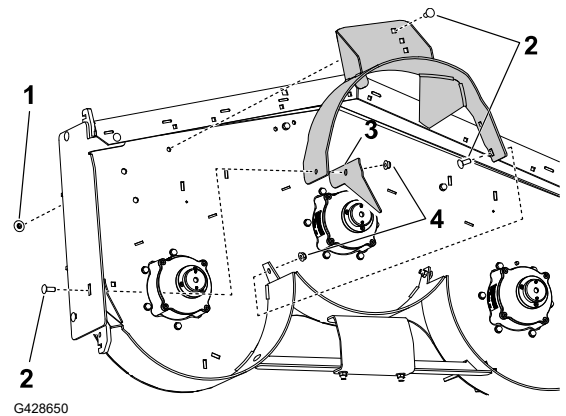
## 52 Inch Decks

### Parts Required

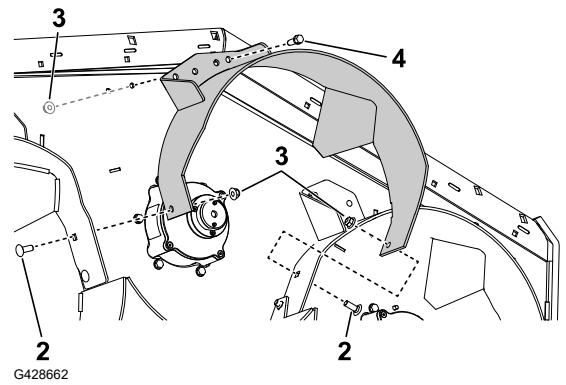
1	Left baffle
1	Center baffle
1	Right baffle
7	Carriage bolt (3/8 x 1 inch)
1	Flange nut (large flange) (3/8 inch)
2	Bolt (3/8 x 1 inch)
10	Flange nut (small flange) (3/8 inch)
1	Side plate (Grandstand decks only)

**Note:** Loosely install the baffles to align the baffles with all holes in the mower.

1. Position the right baffle into the mower.
2. Loosely install the side plate (Grandstand decks only) (3) and the right baffle with 1 carriage bolt (3/8 x 1 inch) (2) and a flange nut (small flange) (3/8 inch) (4).
3. Loosely install the right baffle to the top of the mower deck with 1 carriage bolt (3/8 x 1 inch) and 1 flange nut (large flange) (3/8 inch) (1).
4. Position the left baffle into the mower.
5. Loosely install the left baffle to the top of the mower deck with 1 bolt (3/8 x 1 inch) (4) and 1 flange nut (small flange) (3/8 inch) (3).
6. Loosely install the left baffle to the side of the mower deck with 1 carriage bolt (3/8 x 1 inch) (2) and 1 flange nut (small flange) (3/8 inch).



7. Position the center baffle into the mower.
8. Loosely install the center baffle to the left baffle with 1 carriage bolt (3/8 x 1 inch) (2) and 1 flange nut (small flange) (3/8 inch) (3) .
9. Loosely install the center baffle to the right baffle with 1 carriage bolt (3/8 x 1 inch) and 1 flange nut (small flange) (3/8 inch).
10. Loosely install the center baffle to the top of the mower deck with 1 bolt (3/8 x 1 inch) (4) and 1 flange nut (small flange) (3/8 inch).
11. Tighten all fasteners.





# Installing the Baffles

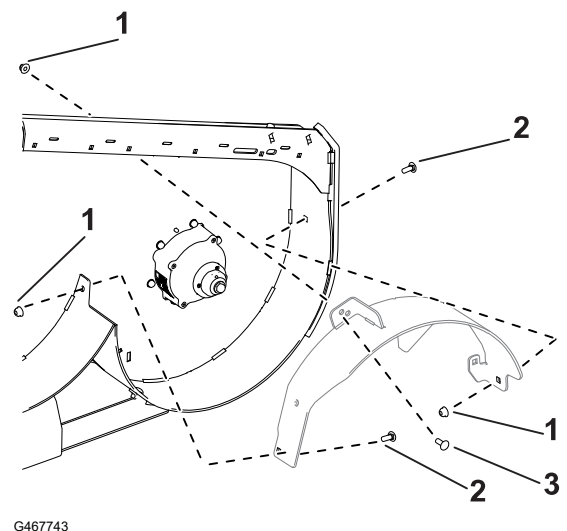
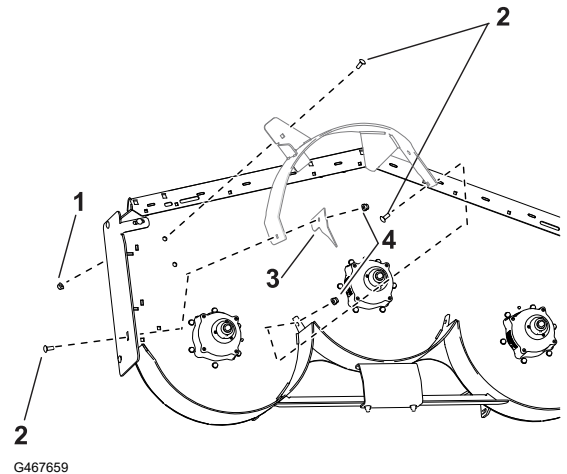
## 60 Inch Decks

### Parts Required

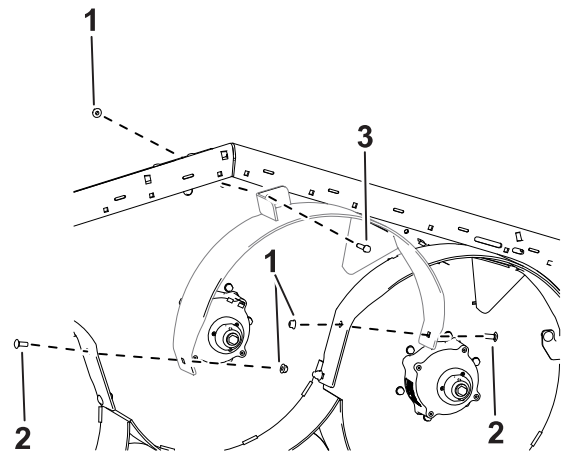
1	Left baffle
1	Center baffle
1	Right baffle
7	Carriage bolt (3/8 x 1 inch)
1	Flange nut (large flange) (3/8 inch)
2	Bolt (3/8 x 1 inch)
8	Flange nut (small flange) (3/8 inch)
1	Side plate (Grandstand decks only)

**Note:** Loosely install the baffles to align the baffles with all holes in the mower.

1. Position the right baffle into the mower.
2. Loosely install the side plate (Grandstand decks only) (3) and the sides of the right baffle with 2 carriage bolts (3/8 x 1 inch) (2) and 2 flange nuts (small flange) (3/8 inch) (4).
3. Loosely install the right baffle to the top of the mower deck with 1 carriage bolt (3/8 x 1 inch) and 1 flange nut (large flange) (3/8 inch) (1).
4. Position the left baffle into the mower.
5. Loosely install the left baffle to the top of the mower deck with 1 bolt (3/8 x 1 inch) (3) and 1 flange nut (small flange) (3/8 inch) (1).
6. Loosely install the sides of the left baffle with 2 carriage bolts (3/8 x 1 inch) (2) and 2 flange nuts (small flange) (3/8 inch).



7. Position the center baffle into the mower.
8. Loosely install the center baffle to the left baffle with 1 carriage bolt (3/8 x 1 inch) (2) and 1 flange nut (small flange) (3/8 inch) (1).
9. Loosely install the center baffle to the right baffle with 1 carriage bolt (3/8 x 1 inch) and 1 flange nut (small flange) (3/8 inch).
10. Loosely install the center baffle to the top of the mower deck with 1 bolt (3/8 x 1 inch) (3) and 1 flange nut (small flange) (3/8 inch).
11. Tighten all fasteners.



G467987

# Installing the Trailing Shield

For Electric-Grandstands

## Parts Required

1	Trailing shield
2	Shoulder bolt



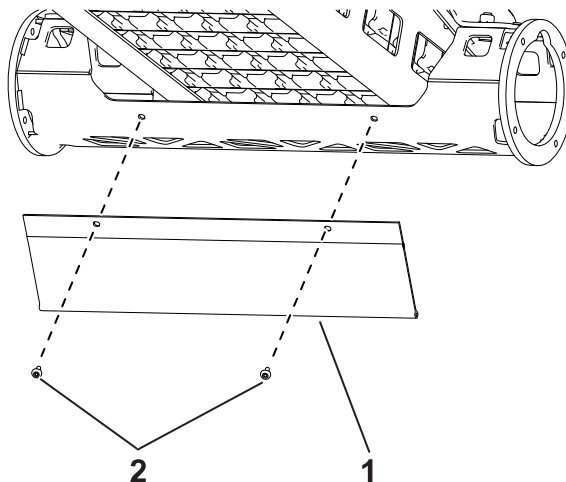
## WARNING



Using a drill without proper eye protection may allow debris to enter the eye, causing injury.

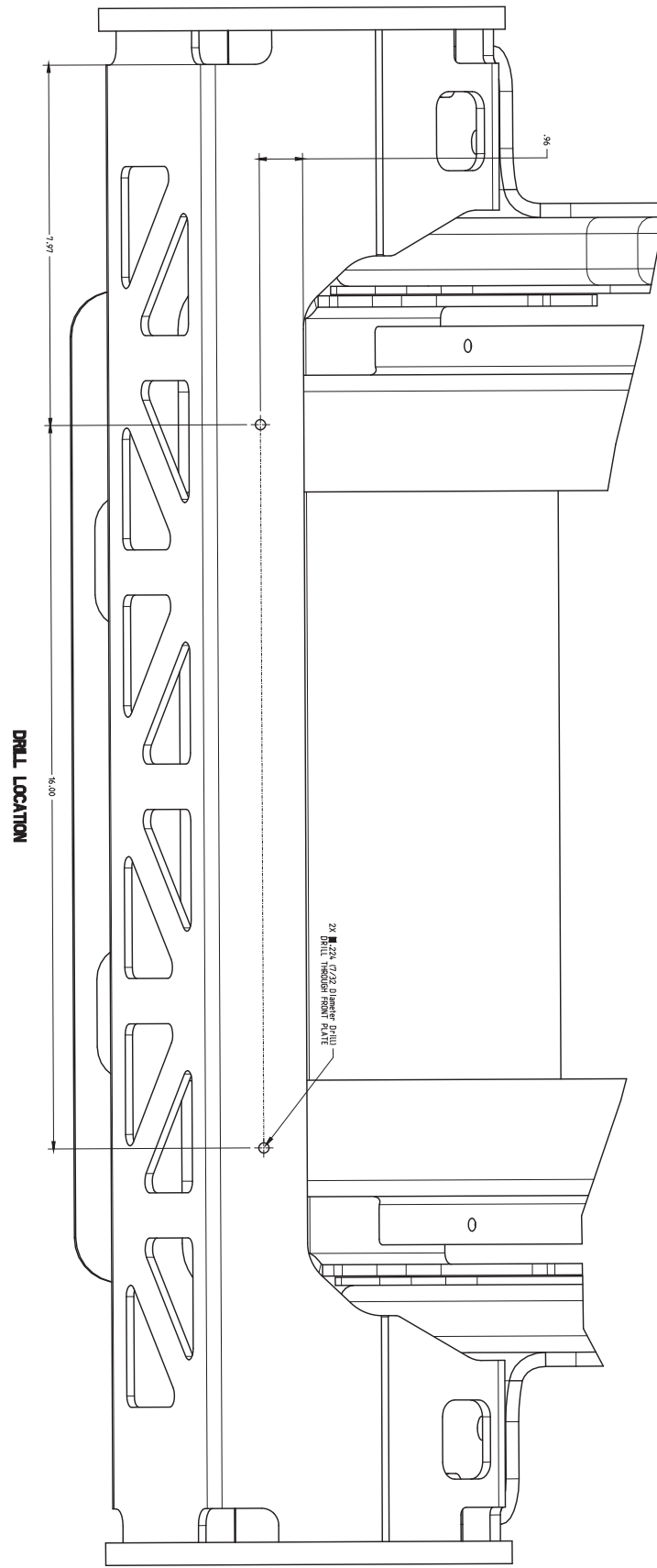
When drilling, always wear eye protection.

1. Use the provided template to locate and drill the 2 holes required for the trailing shield assembly.
2. Line up the trailing shield (1) holes to the holes in the mower and install the shield using 2 shoulder bolts (2).



G468340

# Trailing Shield Template



# Installing the Recycler Blades

## Parts Required

3	Recycler blade (sold separately)
---	----------------------------------

1. Install the 3 recycler blades; refer to the *Operator's Manual*.
2. Rotate the blades and ensure that there is clearance between the blades and baffles. If there is interference, loosen the baffle and reposition it.

## Completing the Installation

1. Lower the machine to the ground.
2. For electric machines, turn the battery-disconnect switch to the ON position; for machines with a lead-acid battery, connect the negative (black) cable to the negative (-) battery post.

**Notes:**

**Notes:**

