



**Count on it.**

**Parts Catalog**

**GreensPro® 1260**

**Greens Roller**

Model No. 44913—Serial No. 416300000 and Up



# Ordering Replacement Parts

To order replacement parts, please supply the part number, the quantity, and the description of each part desired.

## Understanding Reference Numbers

Each identified part in an illustration has a reference number. The reference number for a part also appears in the parts list, along with other information about the part.

This catalog uses two special reference number formats, one to indicate parts in a service assembly and another to indicate the quantity of a given part in an illustration.

## Service Assembly Reference Numbers

Parts in service assemblies have reference numbers in the form a:b. The a represents the reference number of the entire service assembly and the b represents a sequential number unique to each part within the service assembly.

For example, a wheel assembly might be identified by reference number 6, the tire by 6:1, the valve by 6:2, and the wheel by 6:3. When you order the assembly identified by reference number 6, you receive all parts identified by reference numbers 6:1, 6:2, and 6:3. However, you may also order any part individually. Reference numbers of this type appear in illustration and in parts lists.

## Reference Numbers Indicating Quantity

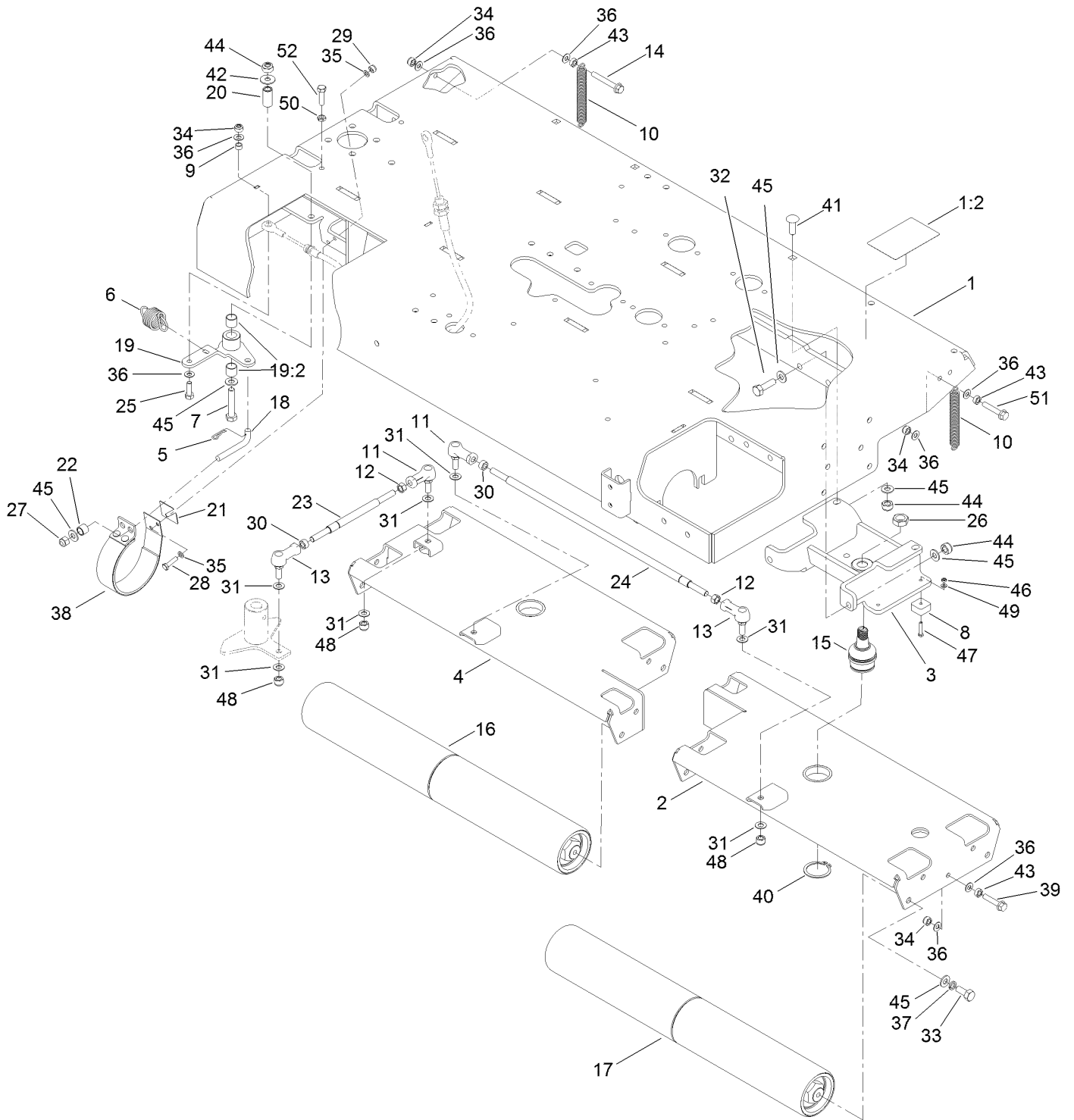
In an illustration, if a reference number indicates more than one part, the reference number has the form nX y. The n represents the quantity of the part, the X is the multiplication symbol, and the y represents the reference number.

For example, in an illustration, the reference number 2X 37 means that two of the parts identified by reference number 37 are indicated.

# Contents

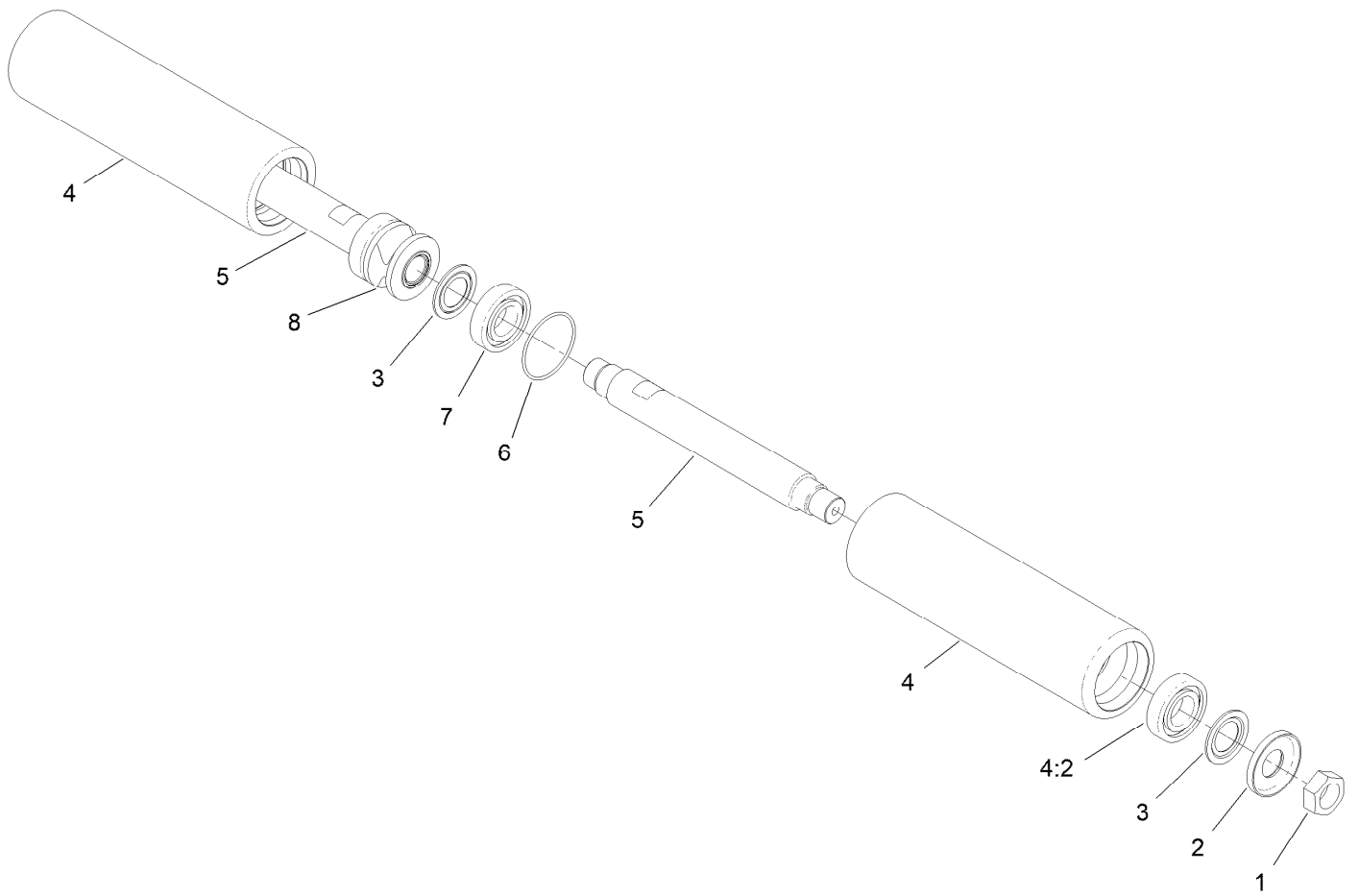
Steering Assembly . . . . .	4
Complete Long Steering Roller Assembly No. 140-5545 . . . . .	6
Complete Short Steering Roller Assembly No. 140-5546 . . . . .	7
Oil Tank and Hose Assembly . . . . .	8
Roller Drive Assembly . . . . .	10
Hydraulic Motor Assembly No. 131-6431 . . . . .	12
Engine Assembly . . . . .	14
Tire Assembly . . . . .	16
Lifting Mechanism Assembly . . . . .	18
Seat Assembly . . . . .	20
Steering Wheel Assembly . . . . .	22
Parking Brake Assembly . . . . .	24
Control Assembly . . . . .	26
Hydraulic Pump Assembly No. 132-4797 . . . . .	28
Model Specific Decal Assembly . . . . .	30
Cylinder Head Assembly . . . . .	32
Cylinder Barrel Assembly . . . . .	34
Crankcase Cover Assembly . . . . .	36
Crankshaft Assembly . . . . .	38
Piston and Connecting Rod Assembly . . . . .	40
Camshaft Assembly . . . . .	42
Recoil Starter Assembly . . . . .	44
Fan Cover Assembly . . . . .	46
Carburetor Assembly . . . . .	48
Air Cleaner Assembly . . . . .	50
Muffler Assembly . . . . .	52
Fuel Tank Assembly . . . . .	54
Flywheel Assembly . . . . .	56
Ignition Coil Assembly . . . . .	58
Control Assembly . . . . .	60
Label Assembly . . . . .	62
Wrench . . . . .	64
Decal Assembly . . . . .	66
Gasket Kit . . . . .	68
Attachments and Accessories . . . . .	70

# Steering Assembly



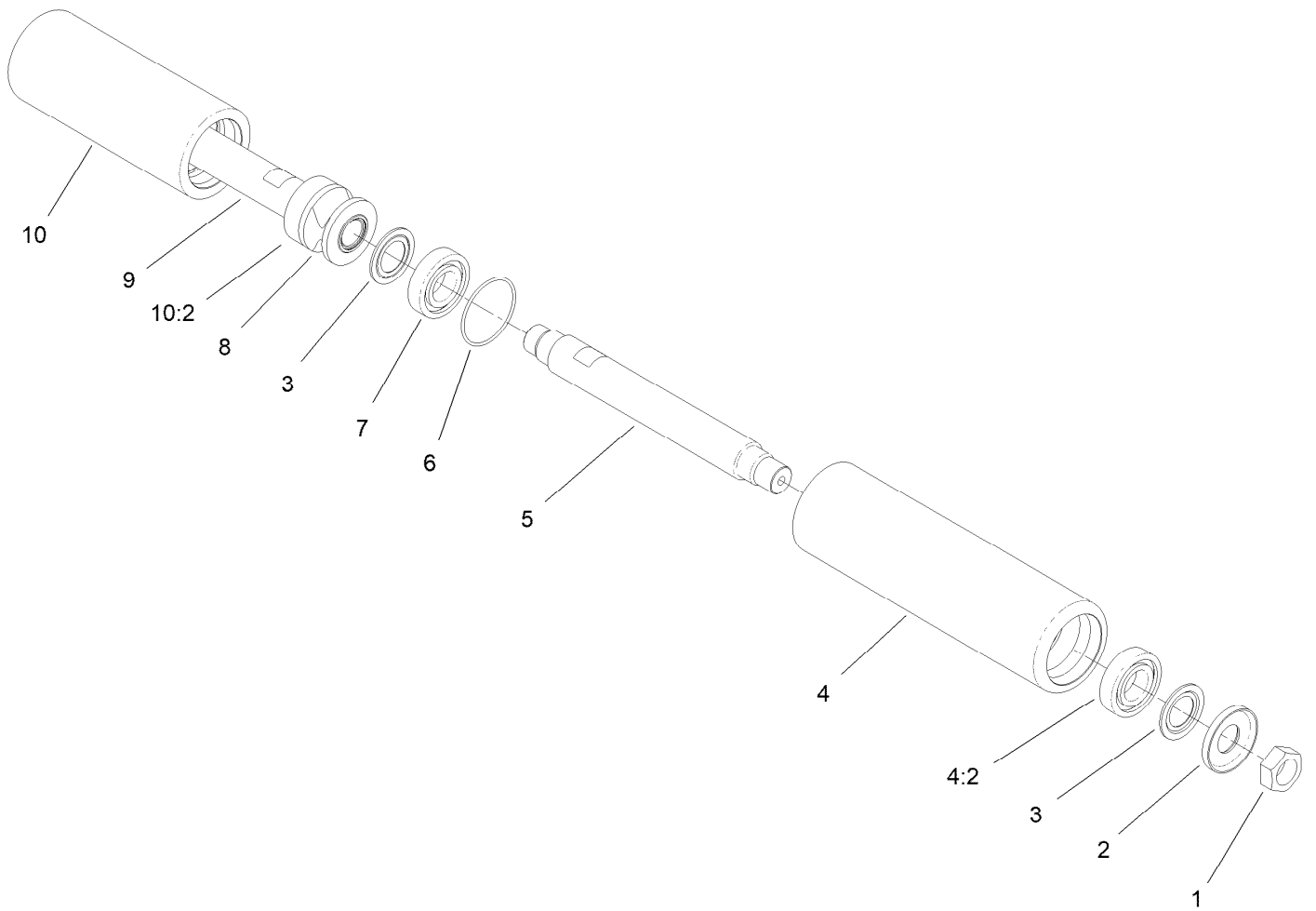
## Steering Assembly (continued)

<i>Ref.</i>	<i>Part Number</i>	<i>Qty.</i>	<i>Description</i>	<i>Ref.</i>	<i>Part Number</i>	<i>Qty.</i>	<i>Description</i>
1	144-3606	1	Roller Chassis W/Decal	25	03162	1	Screw-HH
1:2	133-1701	1	Decal-Warning	26	3220-6	2	Nut-Jam
2	132-4756-01	1	Head-Steering, Rear	27	3296-39	1	Nut-Lock, NI
3	132-4764-01	2	Support-Roller	28	09044	2	Screw-Set
4	132-7082-01	1	Head-Steering, Front	29	09201	2	Nut
5	1-806003	1	Pin-Cotter	30	09213	2	Nut
6	13-3090	1	Spring-Finger	31	09271	8	Washer-Plain
7	57-6360	1	Screw-Clutch	32	09394	4	Bolt
8	94-1392	8	Pad-Rubber	33	09395	8	Screw-HH
9	108-7983	1	Bushing-Cable	34	09441	5	Nut-Hex, NI
10	136-6163	2	Spring	35	09472	4	Washer-Plain
11	132-9263	2	Ball Joint	36	09475	10	Washer
12	111-5855	2	Nut-Hex, LH	37	09480	8	Washer-Lock
13	132-9264	2	Joint-Ball	38	9593	1	Brake Band ASM
14	33104-060	1	Screw-HHF	39	33104-040	2	Screw-HHF
15	121-3605	2	Ball Joint	40	32151-104	2	Ring-Retaining, External
16	140-5545	2	Complete Long Steering Roller ASM	41	33125-030	3	Screw-CARR
17	140-5546	2	Complete Short Steering Roller ASM	42	HY03355	1	Washer-Plated
18	131-1584	1	Rod-Brake	43	ZNH1H000U	4	Nut-Hex
19	136-6249	1	Brake Pivot ASM	44	ZNN1J000U	8	Nut-Hex, NI
19:2	256-311	2	Bushing-Split	45	ZWQ1J000U	21	Washer-Plain
20	131-6350	1	Bushing-Pivot	46	09746	8	Nut-Lock
21	131-6353	1	Shim	47	09806	8	Setscrew
22	131-6367	1	Spacer	48	09216	4	Nut-Hex, NI
23	132-7085	1	Rod-Pivot, Steering	49	ZWP1E000U	16	Washer
24	132-7087	1	Rod-Pivot, Steering	50	117-4059	2	Nut-Hex
				51	33104-045	1	Screw-HHF
				52	09369	2	Screw-HH



## Complete Long Steering Roller Assembly No. 140-5545

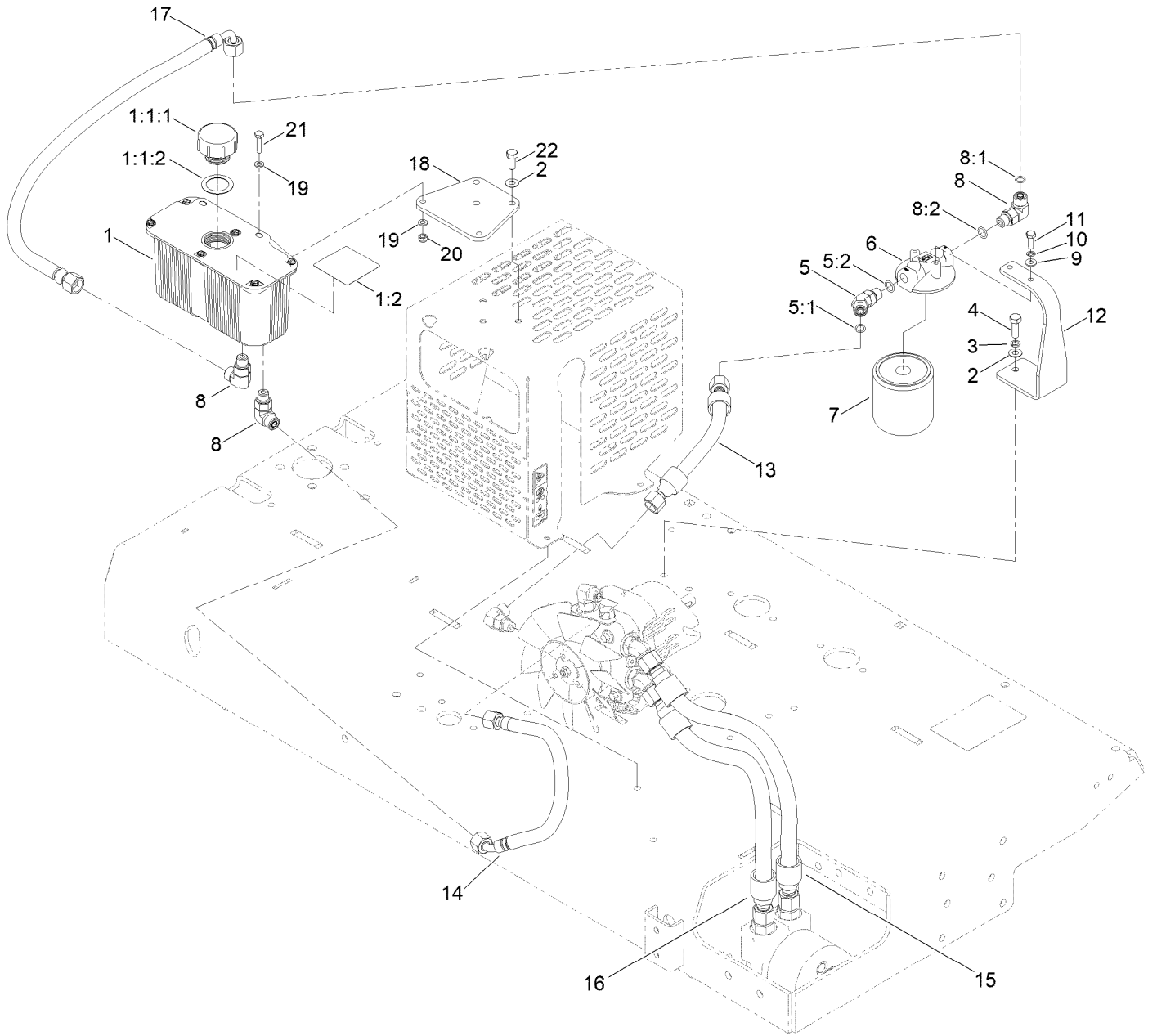
<i>Ref.</i>	<i>Part Number</i>	<i>Qty.</i>	<i>Description</i>
1	3296-49	2	Nut-Lock, NI
2	127-7959	2	Spacer-Bearing
3	115-3299	4	Seal-Flocked
4	140-5547	2	Long Roller ASM 87.5MM DIA X 307MM
4:2	140-5510	1	Bearing-Sealed, Stainless
5	127-8029	2	Shaft-Roller
6	117-8177	2	O-Ring
7	140-5510	2	Bearing-Sealed, Stainless
8	127-7960	1	Sleeve-Roller



## Complete Short Steering Roller Assembly No. 140-5546

<i>Ref.</i>	<i>Part Number</i>	<i>Qty.</i>	<i>Description</i>
1	3296-49	2	Nut-Lock, NI
2	127-7959	2	Spacer-Bearing
3	115-3299	4	Seal-Flocked
4	140-5547	1	Long Roller ASM 87.5MM DIA X 307MM
4:2	140-5510	1	Bearing-Sealed, Stainless
5	127-8029	1	Shaft-Roller
6	117-8177	2	O-Ring
7	140-5510	2	Bearing-Sealed, Stainless
8	127-7960	1	Sleeve-Roller
9	127-8030	1	Shaft-Roller
10	140-5548	1	Short Roller ASM 87.5MM DIA X 217MM
10:2	140-5510	1	Bearing-Sealed, Stainless

# Oil Tank and Hose Assembly





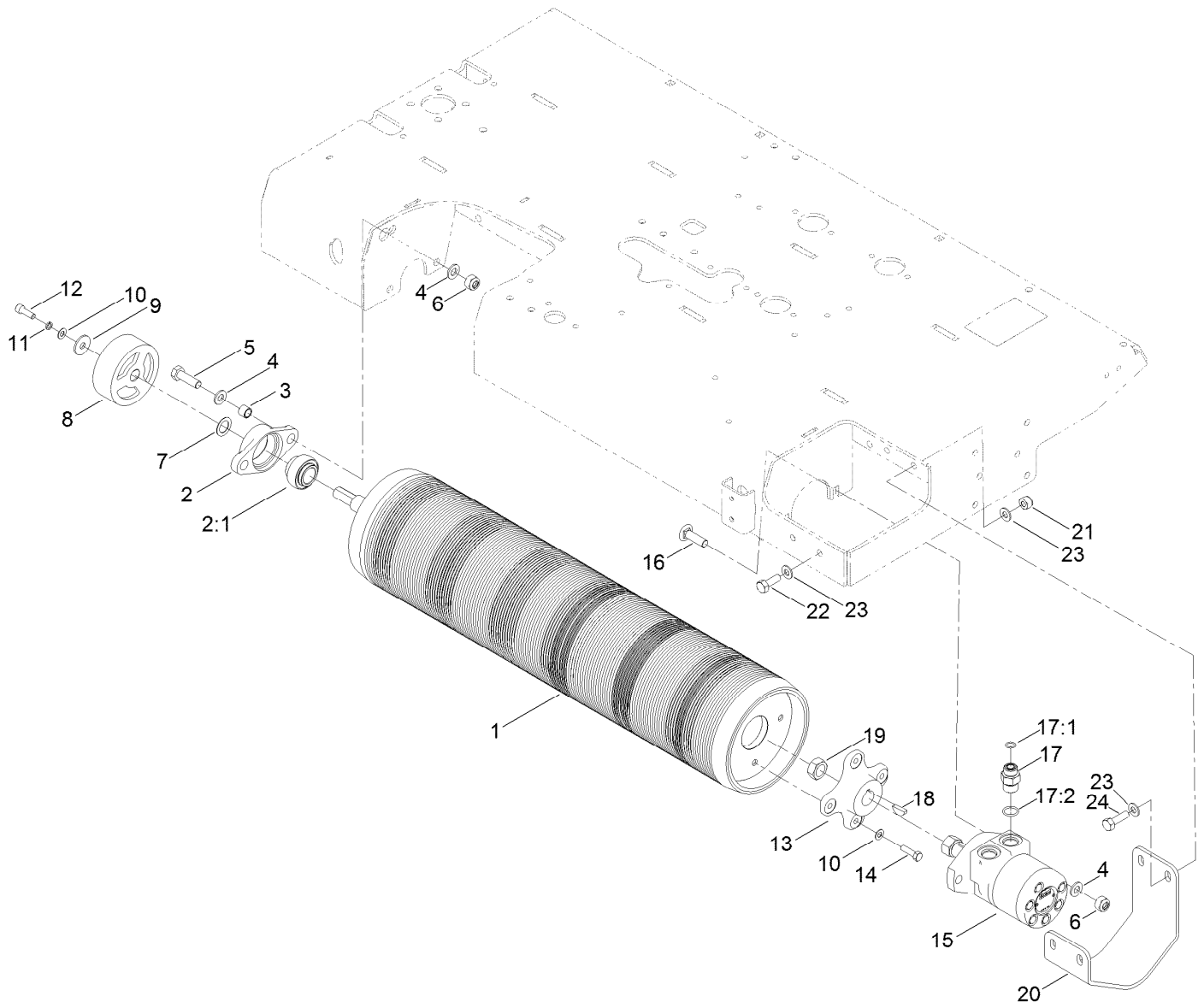
## Oil Tank and Hose Assembly (continued)

<i>Ref.</i>	<i>Part Number</i>	<i>Qty.</i>	<i>Description</i>	<i>Ref.</i>	<i>Part Number</i>	<i>Qty.</i>	<i>Description</i>
1	107-8433	1	HYD Reservoir ASM	8:2	237-42	1	O-Ring
1:1		1	Reservoir-HYD ●■	9	09261	2	Washer-Plain
1:1:1	103-1948	1	Cap-Reservoir, HYD	10	1-805004	2	Washer-Lock
1:1:2	142-2792	1	O-Ring	11	09821	2	Screw-HH
1:2	115-4212	1	Decal-Warning	12	132-9201-01	1	Bracket-Filter
2	09475	5	Washer	13	132-9205	1	Hose ASM
3	03469	2	Washer-Spring	14	132-9206	1	Hose ASM
4	03162	2	Screw-HH	15	132-9202	1	Hose ASM
5	340-87	1	Fitting-Elbow, 45 DEG	16	132-9203	1	Hose ASM
5:1	237-22	1	O-Ring	17	138-2242	1	Hose ASM
5:2	237-42	1	O-Ring	18	138-2238-01	1	Plate-Mount, Tank
6	104-7836	1	Head-Filter	19	09472	4	Washer-Plain
7	1-633750	1	Filter-Oil, HYD	20	09438	2	Nut-Nyloc
8	340-77	3	Fitting-Elbow, 90 DEG	21	33113-025	2	Screw-HH
8:1	237-22	1	O-Ring	22	09368	3	Screw-HH

● Not illustrated

■ Not serviced separately

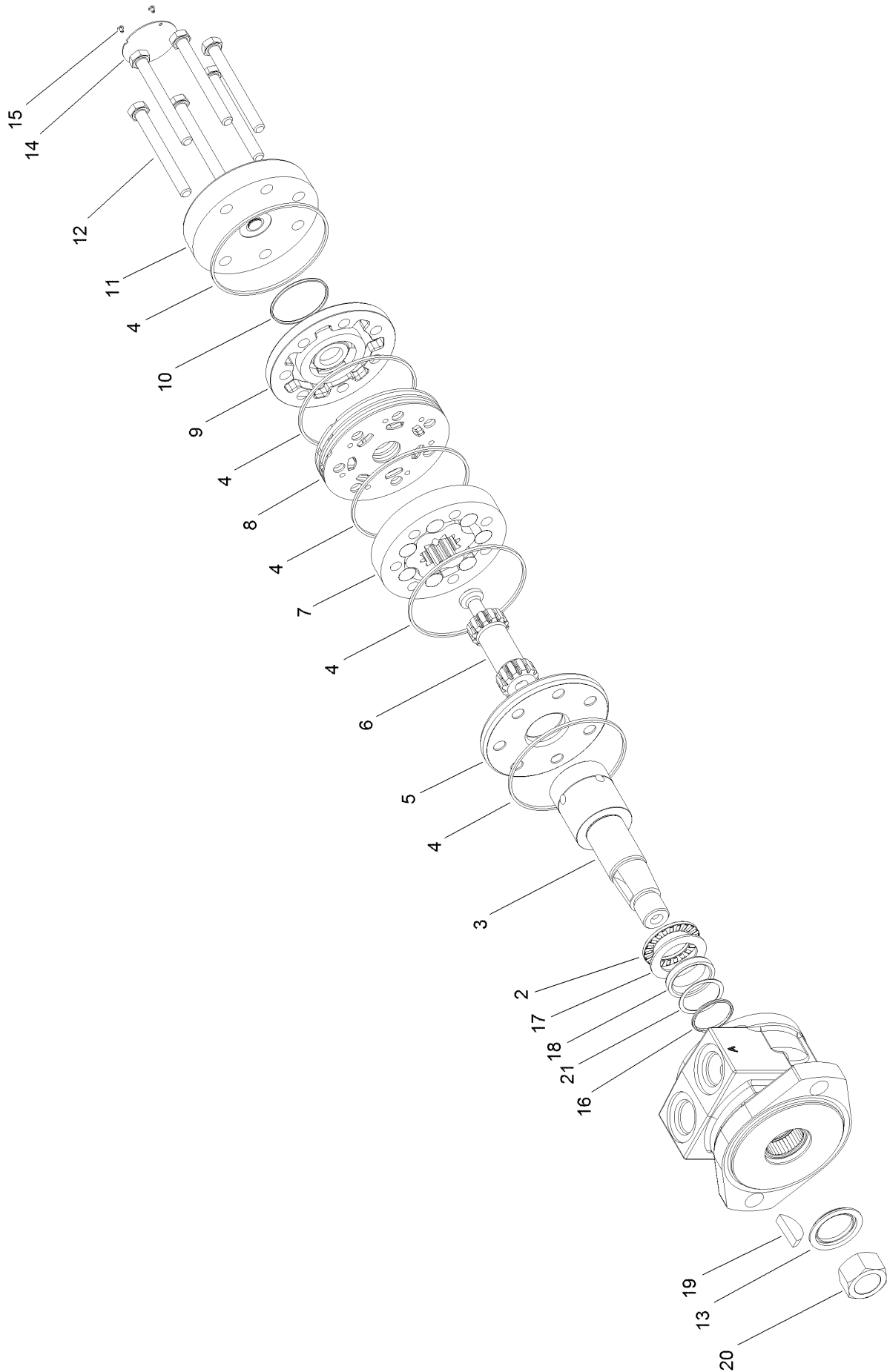
# Roller Drive Assembly



## Roller Drive Assembly (continued)

<i>Ref.</i>	<i>Part Number</i>	<i>Qty.</i>	<i>Description</i>	<i>Ref.</i>	<i>Part Number</i>	<i>Qty.</i>	<i>Description</i>
1	132-5380	1	Drive-Drum, Roller	14	09369	4	Screw-HH
2	111-5744	1	Bearing ASM	15	131-6431	1	HYD Traction Motor ASM
2:1	111-5758	1	Bearing	16	33126-040	2	Screw-CARR
3	131-6367	2	Spacer	17	340-6	2	Fitting-Straight
4	HY09485	6	Washer-Plain	17:1	237-30	1	O-Ring
5	63-11-010	2	Bolt-HH	17:2	237-80	1	O-Ring
6	09650	4	Nut-Hex, Nyloc	18	3257-8	1	Key-Woodruff
7	132-9200	1	Spacer	19	85-7310	1	Nut-Motor, Wheel
8	106719	1	Drum-Brake	20	132-7096-03	1	Guard-Motor
9	93-8806	1	Washer-Hardened	21	09447	4	Nut
10	ZWP1H000U	5	Washer-Plain	22	09392	2	Screw-HH
11	03469	1	Washer-Spring	23	ZWQ1J000U	8	Washer-Plain
12	ZCS1H025U	1	Screw-HSH	24	09394	2	Bolt
13	133-8863	1	Hub-Drive Roller				

# Hydraulic Motor Assembly No. 131-6431



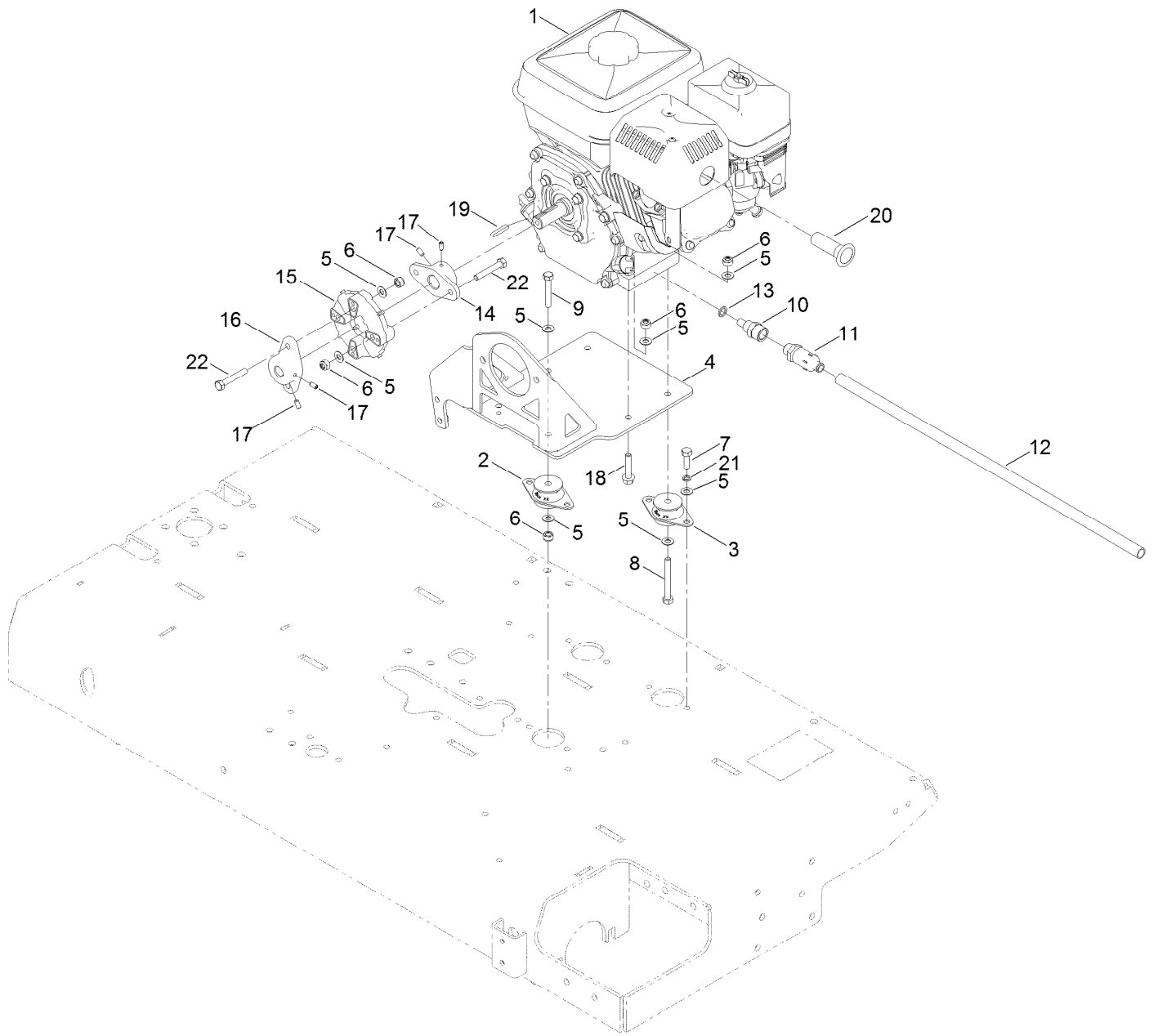
# Hydraulic Motor Assembly No. 131-6431 (continued)

<i>Ref.</i>	<i>Part Number</i>	<i>Qty.</i>	<i>Description</i>	<i>Ref.</i>	<i>Part Number</i>	<i>Qty.</i>	<i>Description</i>
2	133-1761	1	Bearing-Thrust	13	133-1773	1	Seal, Dirt And Water
3	133-1762	1	Shaft-Coupling	14		1	Identification Tag ■
4	133-1763	5	Ring-Seal	15	133-1774	2	Screw-Drive
5	133-1764	1	Plate-Wear	16	133-1775	1	Ring-Back Up
6	133-1765	1	Link-Drive	17	133-1776	1	Washer-Thrust
7	133-1766	1	Set-Rotor	18	133-1777	1	Shaft-Seal
8	133-1767	1	Manifold	19	3257-8	1	Key-Woodruff
9	133-1768	1	Commutator	20	85-7310	1	Nut-Motor, Wheel
10	133-1769	1	Seal-Commutator	21	133-1778	1	Washer-Back Up
11	133-1771	1	Cover-End	99	133-1779	1	Seal Kit ●
12	133-1772	6	Special Bolt				

● Not illustrated

■ Not serviced separately

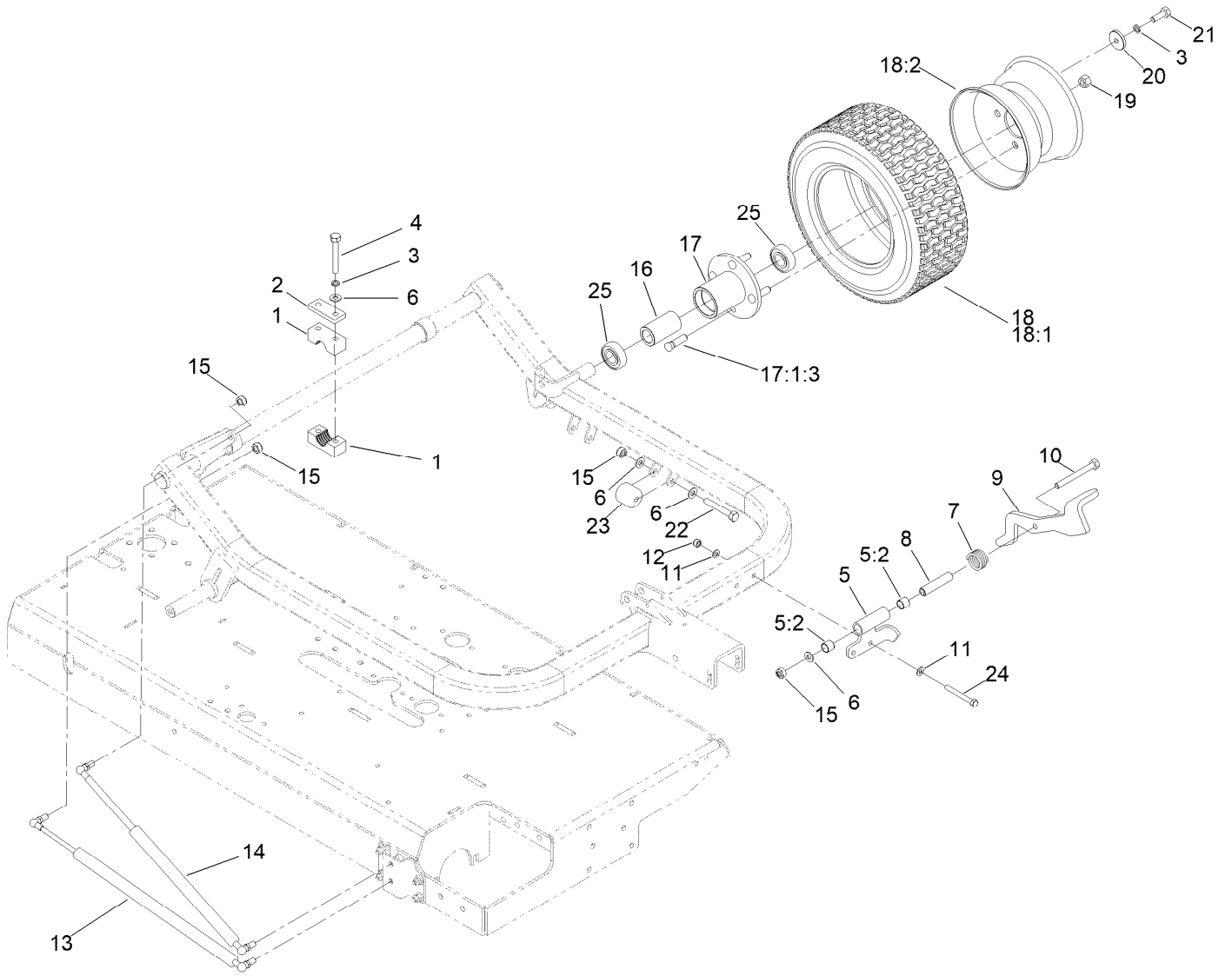
# Engine Assembly



## Engine Assembly (continued)

<i>Ref.</i>	<i>Part Number</i>	<i>Qty.</i>	<i>Description</i>	<i>Ref.</i>	<i>Part Number</i>	<i>Qty.</i>	<i>Description</i>
1	133-5627	1	Engine-Honda	12	103-1964	1	Hose-Drain, Oil
2	132-4799	2	Mount-Engine	13	111-7401	1	Washer-Plug, Sump
3	132-4803	2	Mount-Engine	14	138-2243	1	Hub-Engine
4	144-3660-01	1	Engine Plate [red]	15	119-0652	1	Coupler-Rubber
5	09475	22	Washer	16	138-2244	1	Hub-Pump
6	09441	10	Nut-Hex, NI	17	133-1717	4	Screw-Set
7	03162	8	Screw-HH	18	33104-040	2	Screw-HHF
8	ZBH1H070U	2	Bolt	19	103-2739	1	Key
9	ZBH1H050U	2	Bolt	20	111-6526	1	Arrester-Spark
10	111-7088	1	Adaptor-Drain, Oil	21	03469	8	Washer-Spring
11	92-6877	1	Valve-Drain, Oil	22	ZBH1H050U	4	Bolt

# Tire Assembly





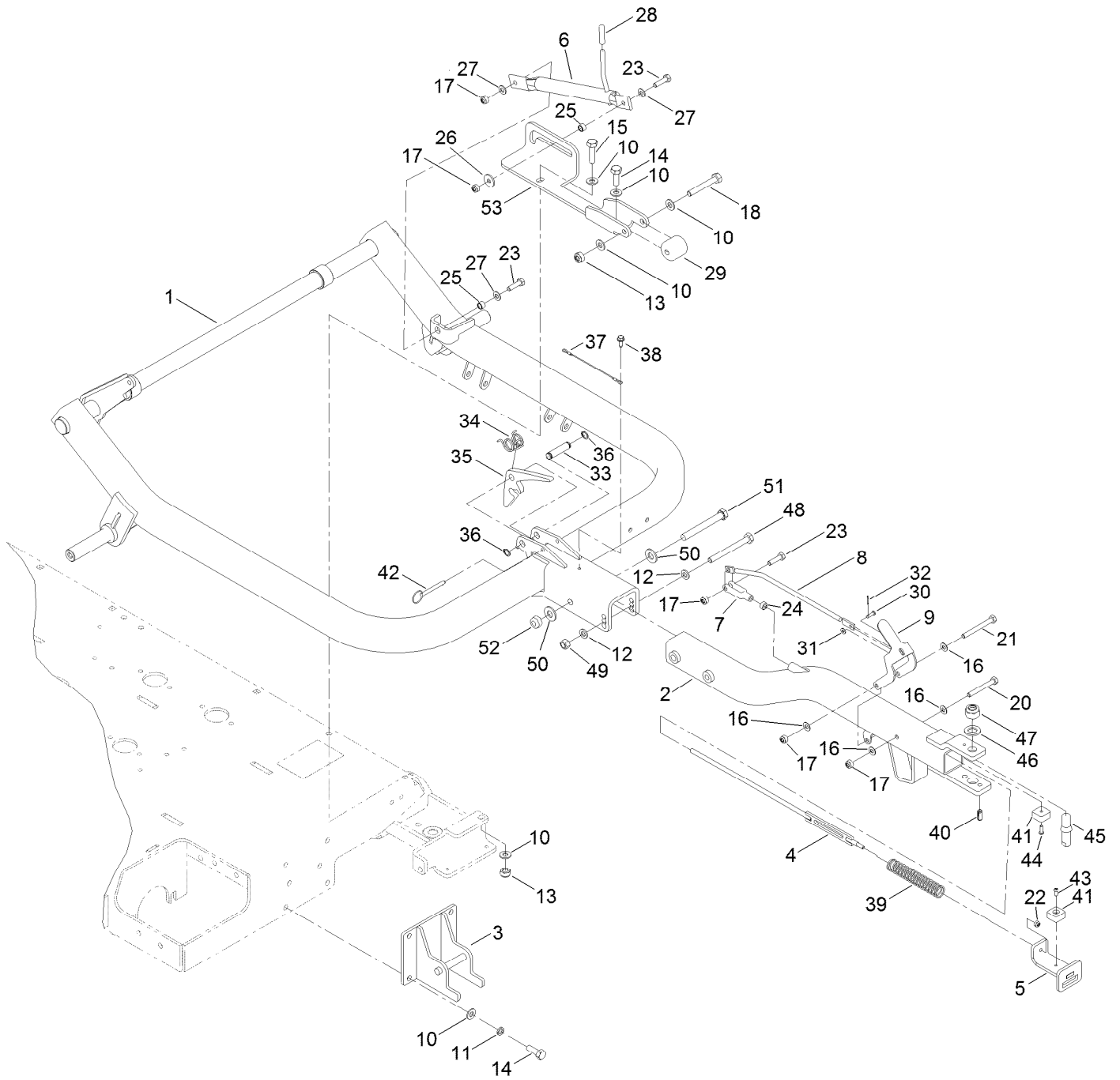
## Tire Assembly (continued)

<i>Ref.</i>	<i>Part Number</i>	<i>Qty.</i>	<i>Description</i>	<i>Ref.</i>	<i>Part Number</i>	<i>Qty.</i>	<i>Description</i>
1	127-8044	3	Clamp-Drawbar	15	ZNN1J000U	5	Nut-Hex, NI
2	111-5681	3	Plate-Clamp, Axle	16	111-5858	2	Spacer-Bearing
3	09480	8	Washer-Lock	17	111-7103-03	2	Wheel Hub ASM
4	ZBH1J075U	6	Bolt-HH	17:1		1	Wheel Hub ASM ●■
5	127-1351	1	Pedal Pivot ASM	17:1:3	94-4143	4	Stud-Wheel
5:2	256-311	2	Bushing-Split	18	111-5678	2	Wheel And Tire ASM
6	ZWQ1J000U	11	Washer-Plain	18:1	111-5755	1	Tire
7	127-1353	1	Spring-Torsion	18:2	111-5756	1	Rim-Wheel
8	127-1355	1	Spacer	19	93-5268	8	Nut-Lug
9	138-9077-01	1	Pedal-Lift	20	111-5674	2	Collar-Fixing
10	ZBH1J095U	1	Bolt-HH	21	09392	2	Screw-HH
11	09475	4	Washer	22	09399	2	Bolt
12	09441	2	Nut-Hex, NI	23	127-1342	2	Roller
13	144-7205	1	Damper	24	ZBH1H070U	2	Bolt
14	144-7204	1	Gas Spring	25	120-4621	4	Bearing

● Not illustrated

■ Not serviced separately

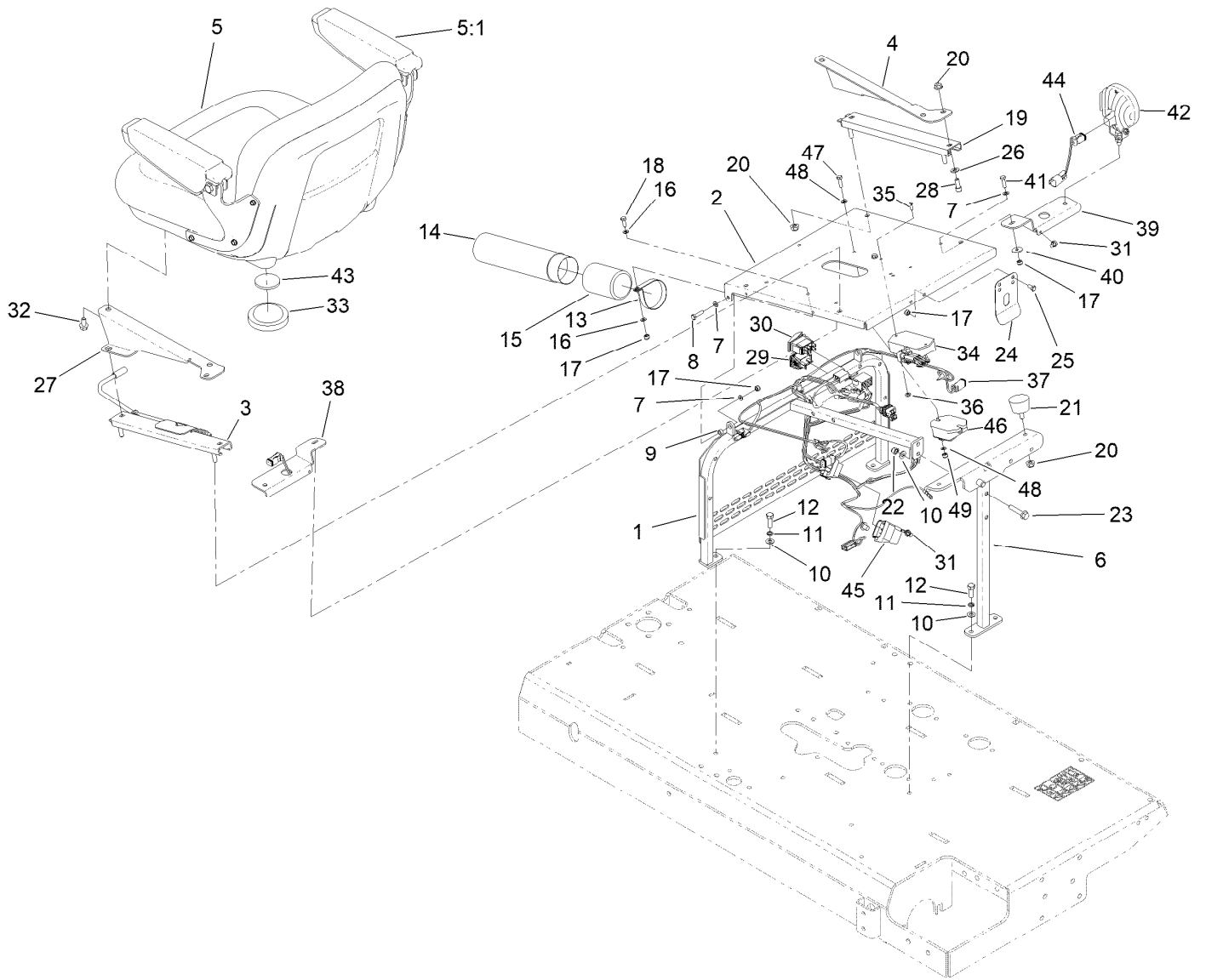
# Lifting Mechanism Assembly



## Lifting Mechanism Assembly (continued)

<i>Ref.</i>	<i>Part Number</i>	<i>Qty.</i>	<i>Description</i>	<i>Ref.</i>	<i>Part Number</i>	<i>Qty.</i>	<i>Description</i>
1	144-3578-01	1	Hitch Pivot ASM [red]	28	125-5722	1	Cap-Flex
2	132-4770-01	1	Hitch	29	127-1342	1	Roller
3	132-7075-01	1	Bracket-Lock	30	283-29	1	Pin-Clevis
4	125-5743	1	Lever-Slide	31	3256-51	1	Washer-Flat
5	132-4775-01	1	Bracket-Slide	32	3272-1	1	Pin-Cotter
6	132-4826-01	1	Lever-Lock, Hitch	33	125-5731	1	Pin-Lock, Lever
7	1-303105	1	Yoke-Adjustable	34	125-5723	1	Spring-Torsion
8	127-1317	1	Wire-Form	35	125-5711-01	1	Latch-Hitch
9	132-9262	1	Lever	36	32151-61	2	Ring-Retaining
10	ZWQ1J000U	10	Washer-Plain	37	28-8070	1	Lanyard
11	09480	4	Washer-Lock	38	32144-10	1	Screw-HWH
12	107-1413	2	Washer-Hardened	39	125-5737	1	Spring-Compression
13	ZNN1J000U	3	Nut-Hex, NI	40	32121-123	1	Pin-Roll
14	09392	5	Screw-HH	41	94-1392	2	Pad-Rubber
15	09611	1	Bolt-HH	42	108-0094	1	Pin-Cotterless
16	09475	4	Washer	43	127-5866	1	Screw-HSBH
17	09441	5	Nut-Hex, NI	44	119-7568	1	Screw-HSBH
18	09399	1	Bolt	45	127-5861	1	Pin-Tow
20	ZBH1H065U	1	Bolt	46	09491	1	Washer-Plain
21	ZBH1H075U	1	Bolt	47	09456	1	Nut
22	09438	1	Nut-Nyloc	48	127-5864	1	Screw-HH
23	09369	3	Screw-HH	49	131-1558	1	Nut-Lock
24	09207	1	Nut	50	87-7270	2	Washer-Thrust
25	120-9697	2	Spacer	51	131-1557	1	Screw-HH
26	1-603716	1	Washer-Friction	52	94-4307	1	Nut-Hex, Lock
27	3256-23	3	Washer-Plain	53	133-1756-01	1	Bracket-Slide

# Seat Assembly

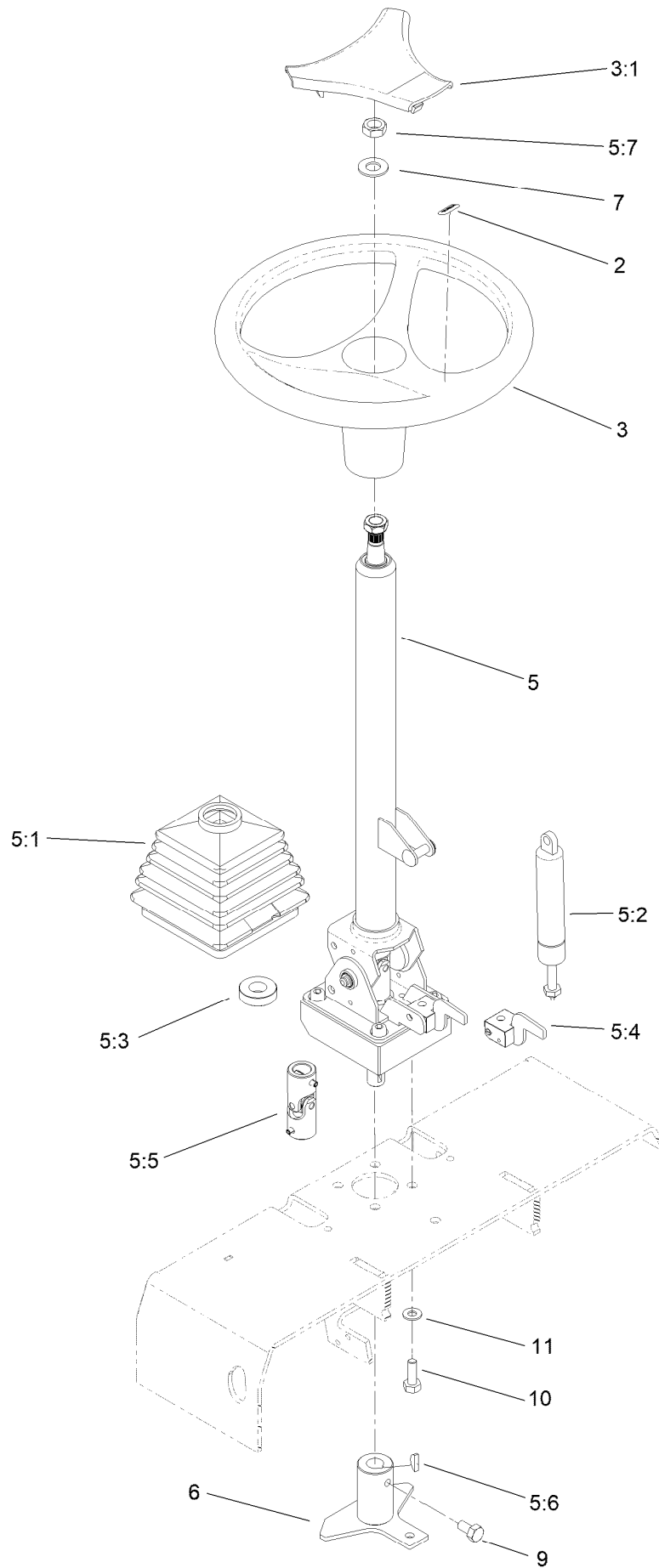


## Seat Assembly (continued)

<i>Ref.</i>	<i>Part Number</i>	<i>Qty.</i>	<i>Description</i>	<i>Ref.</i>	<i>Part Number</i>	<i>Qty.</i>	<i>Description</i>
1	131-6449-03	1	Seat Support	26	3256-23	4	Washer-Plain
2	131-6447-03	1	Seat Pan	27	132-4750-03	1	Bracket-Seat, LH
3	133-8896	1	Seat Adjuster Lever ASM	28	3274-10	4	Screw-HSH
4	131-6448-03	1	Bracket-Seat, RH	29	120-2244	1	Hourmeter
5	133-1729	1	Seat Assembly	30	119-8355	1	Switch-Rocker
5:1	111-6564	1	Arm Rest Kit	31	HY3966	9	Tie-Cable
6	132-4751-01	1	Support-Frame, Rear	32	33104-016	4	Screw-HHF
7	09472	6	Washer-Plain	33	100-3524	1	Switch-Seat
8	ZBH1F025U	2	Bolt-HH	34	122-0423	1	Module-Ground, Magneto
9	88-7860	2	Spacer	35	32105-8	2	Screw-SHH
10	09475	5	Washer	36	110-3145	2	Nut-Lock
11	03469	4	Washer-Spring	37	122-2353	1	Harness-Wire, Greens Roller
12	03162	4	Screw-HH	38	132-4806-03	1	Light Mount
13	107-1865	2	R-Clamp	39	132-4805-03	1	Light Mount
14	104-7050	1	Tube-Manual	40	09263	2	Washer
15	104-7048	1	Cap-Housing	41	09363	2	Screw-HH
16	ZWP1F000U	4	Washer	42	140-9270	2	Light-LED, 25 MM
17	09438	8	Nut-Nyloc	43	133-2797	1	Disc-Plunger
18	09362	2	Screw-HH	44	122-1869	2	Harness-Wire, Jumper
19	92-8990	1	Adjuster-Seat, Non-Locking	45	99-7430	1	Relay-Mini
20	104-8300	10	Nut-HF, NI	46	119-4320	1	Regulator
21	68-3270	2	Bumper-Rubber	47	09363	2	Screw-HH
22	09441	1	Nut-Hex, NI	48	09472	2	Washer-Plain
23	33104-040	1	Screw-HHF	49	09438	2	Nut-Nyloc
24	66-2630	1	Latch-Seat	99	107-0342	1	Sealant-Electrical ●
25	09361	2	Screw-HH				

● Not illustrated

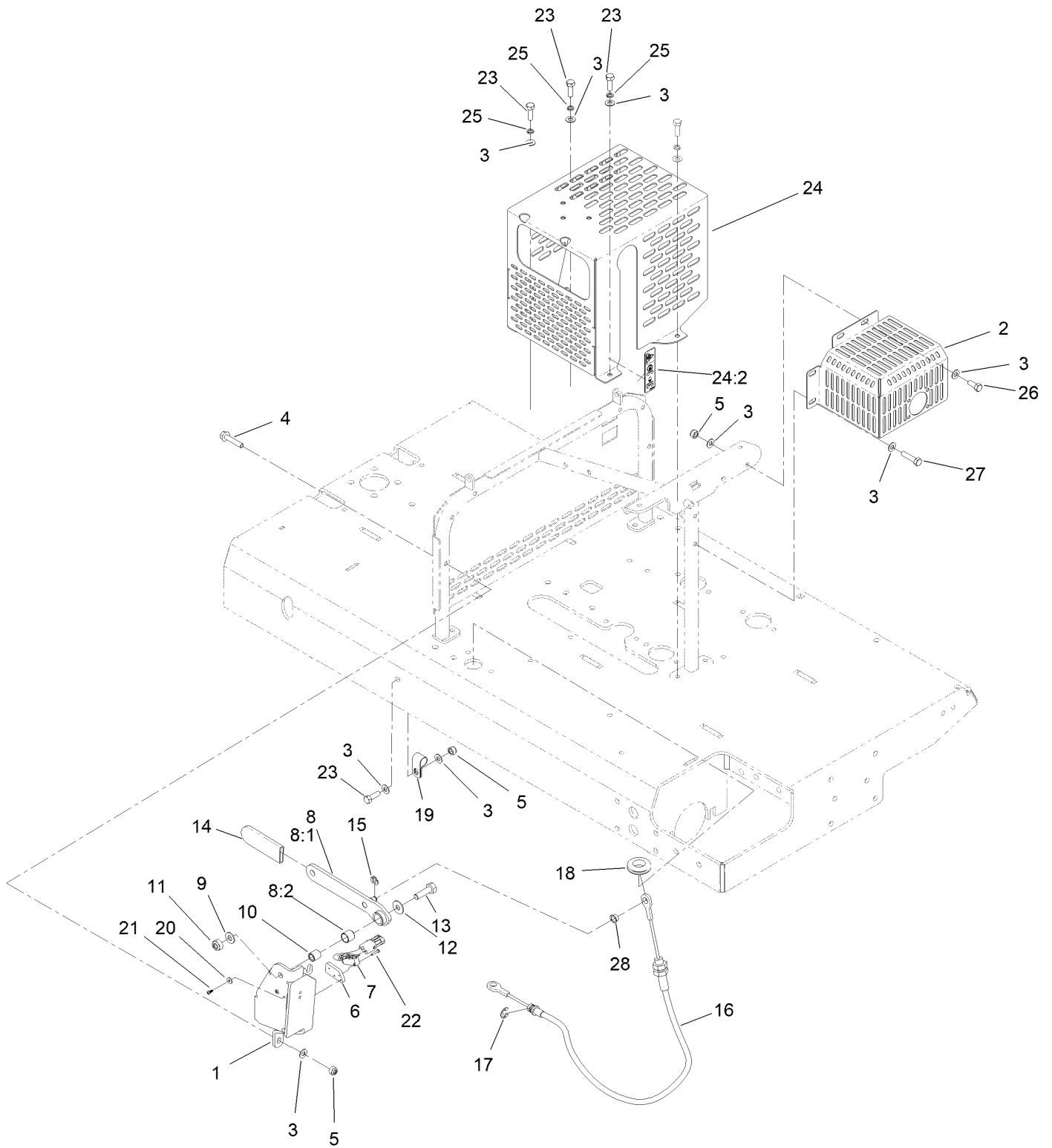
# Steering Wheel Assembly



## Steering Wheel Assembly (continued)

<i>Ref.</i>	<i>Part Number</i>	<i>Qty.</i>	<i>Description</i>	<i>Ref.</i>	<i>Part Number</i>	<i>Qty.</i>	<i>Description</i>
2	98-1459	1	Decal	5:5	144-7208	1	U-Joint Kit-Service
3	98-1471	1	Wheel-Steering	5:6	3257-7	1	Key-Woodruff
3:1	98-1468	1	Cover-Wheel, Steering	5:7	3220-6	1	Nut-Jam
5	140-0343	1	Column-Steering	6	132-7084-01	1	Steering Pivot
5:1	110-6462	1	Bellows-Rubber	7	3256-27	1	Washer-Flat
5:2	110-6463	1	Cylinder Service Kit	9	09391	1	Screw-HH
5:3	144-7206	2	Bearing-Column	10	09392	4	Screw-HH
5:4	144-7207	1	Pedal ASM-Service	11	ZWQ1J000U	4	Washer-Plain

# Parking Brake Assembly



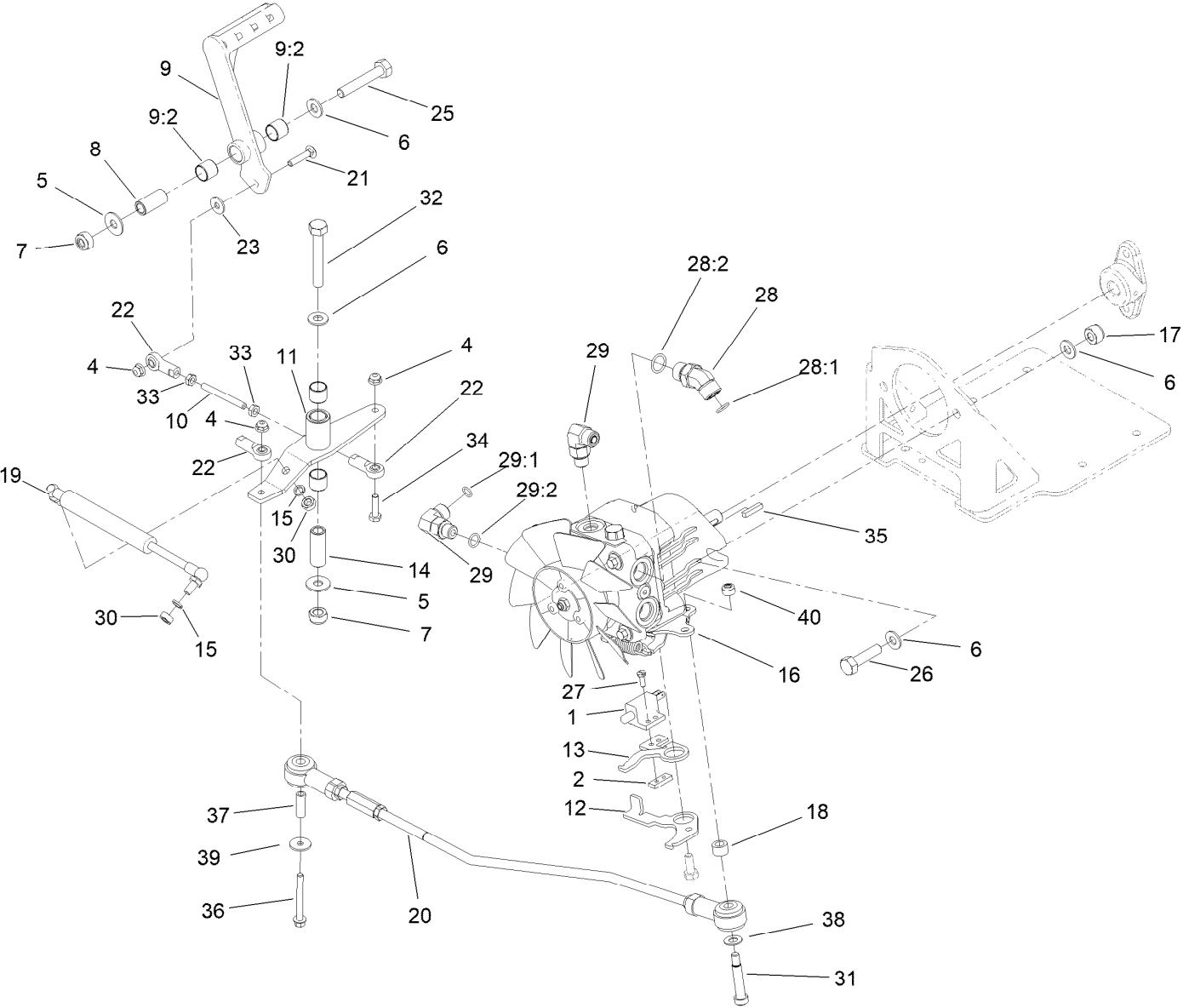


## Parking Brake Assembly (continued)

<i>Ref.</i>	<i>Part Number</i>	<i>Qty.</i>	<i>Description</i>	<i>Ref.</i>	<i>Part Number</i>	<i>Qty.</i>	<i>Description</i>
1	132-4837-03	1	Support-Lever, Brake	15	32151-47	1	Ring-Retaining
2	132-4801-03	1	Guard-Exhaust	16	136-6225	1	Cable-Brake, Park
3	09475	14	Washer	17	32120-47	1	Ring-Retaining, External
4	33104-040	3	Screw-HHF	18	1-543286	1	Grommet
5	09441	7	Nut-Hex, NI	19	2412-41	1	Clamp-R
6	147-2048	1	Bracket-Sensor	20	3269-6	2	Washer-Flat
7	145-7473	1	Switch-Sealed	21	363-8690	2	Scr,Mch,6-32X3/8,Phph,Stl,Rohs
8	132-4839	1	Brake Handle ASM	22	363-7510	2	Screw,Machine,4-40,0.625,PH,Rohs
8:1	132-4838	1	Lever-Brake	23	03162	4	Screw-HH
8:2	256-311	1	Bushing-Split	24		1	Transmission Cover W/Decal ●
9	ZWQ1J000U	1	Washer-Plain	24:2	120-0627	1	Decal-Warning
10	131-6386	1	Bushing-Pivot	25	03469	3	Washer-Spring
11	ZNN1J000U	1	Nut-Hex, NI	26	09368	2	Screw-HH
12	HY03355	1	Washer-Plated	27	ZDH1H035U	1	Screw-HH
13	09394	1	Bolt	28	132-9291	1	Bushing-Cable
14	21-1880	1	Grip-Handle				

● Not serviced separately

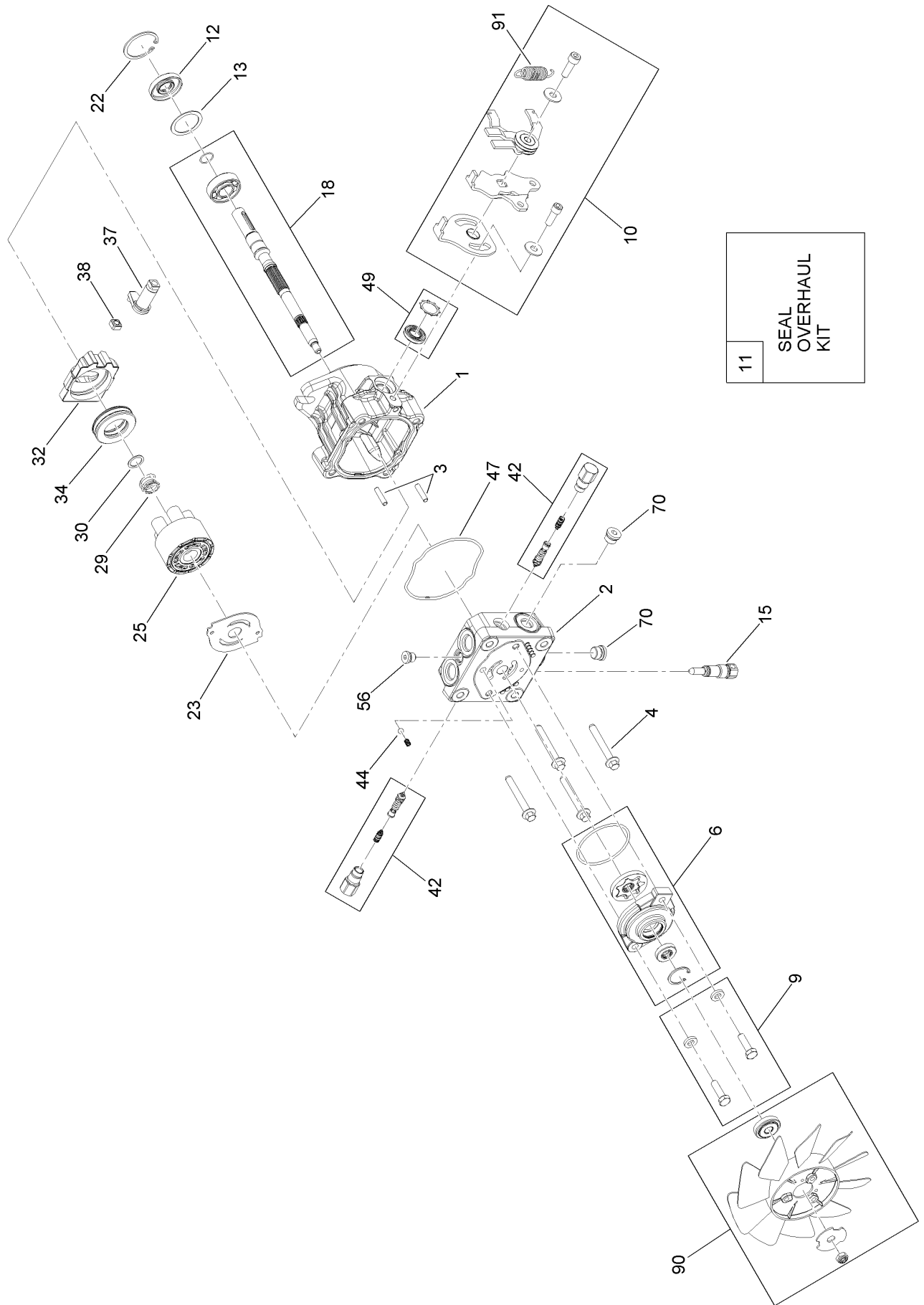
# Control Assembly



## Control Assembly (continued)

<i>Ref.</i>	<i>Part Number</i>	<i>Qty.</i>	<i>Description</i>	<i>Ref.</i>	<i>Part Number</i>	<i>Qty.</i>	<i>Description</i>
1	1-513051	1	Switch-Open, Normally	23	3256-78	2	Washer-Flat
2	1-633181	1	Plate-Tapped	25	09397	2	Bolt
4	104-7201	4	Nut-HF, NI	26	09611	2	Bolt-HH
5	HY03355	3	Washer-Plated	27	32105-8	2	Screw-SHH
6	ZWQ1J000U	7	Washer-Plain	28	340-101	2	Fitting-HYD, 45 DEG
7	ZNN1J000U	3	Nut-Hex, NI	28:1	237-30	1	O-Ring
8	131-6350	2	Bushing-Pivot	28:2	237-79	1	O-Ring
9	138-2206	2	Traction Pedal ASM	29	340-77	2	Fitting-Elbow, 90 DEG
9:2	256-311	2	Bushing-Split	29:1	237-22	1	O-Ring
10	132-9224	2	Rod-Pedal	29:2	237-42	1	O-Ring
11	144-3598	1	Traction Bellcrank ASM	30	ZNH1H000U	2	Nut-Hex
12	138-9106	1	Arm	31	138-0720	1	Bolt-Shoulder, HSH
13	132-4796	1	Arm	32	09399	1	Bolt
14	138-9085	1	Bushing-Pivot	33	3220-1	4	Nut-Jam
15	03469	2	Washer-Spring	34	321-6	1	Screw-HH
16	132-4797	1	Pump-Hydraulic	35	111-5724	1	Key-Square
17	09447	2	Nut	36	138-3326	1	Screw-HHF
18	92-9025	1	Spacer	37	144-3593	1	Spacer
19	132-4807	1	Damper	38	09271	1	Washer-Plain
20	144-3580	1	Traction Link ASM	39	09263	1	Washer
21	3229-3	2	Screw-CARR	40	ZNN3E000U	1	Nut-Nyloc
22	2411-41	4	Rod End-Ball Joint				

# Hydraulic Pump Assembly No. 132-4797

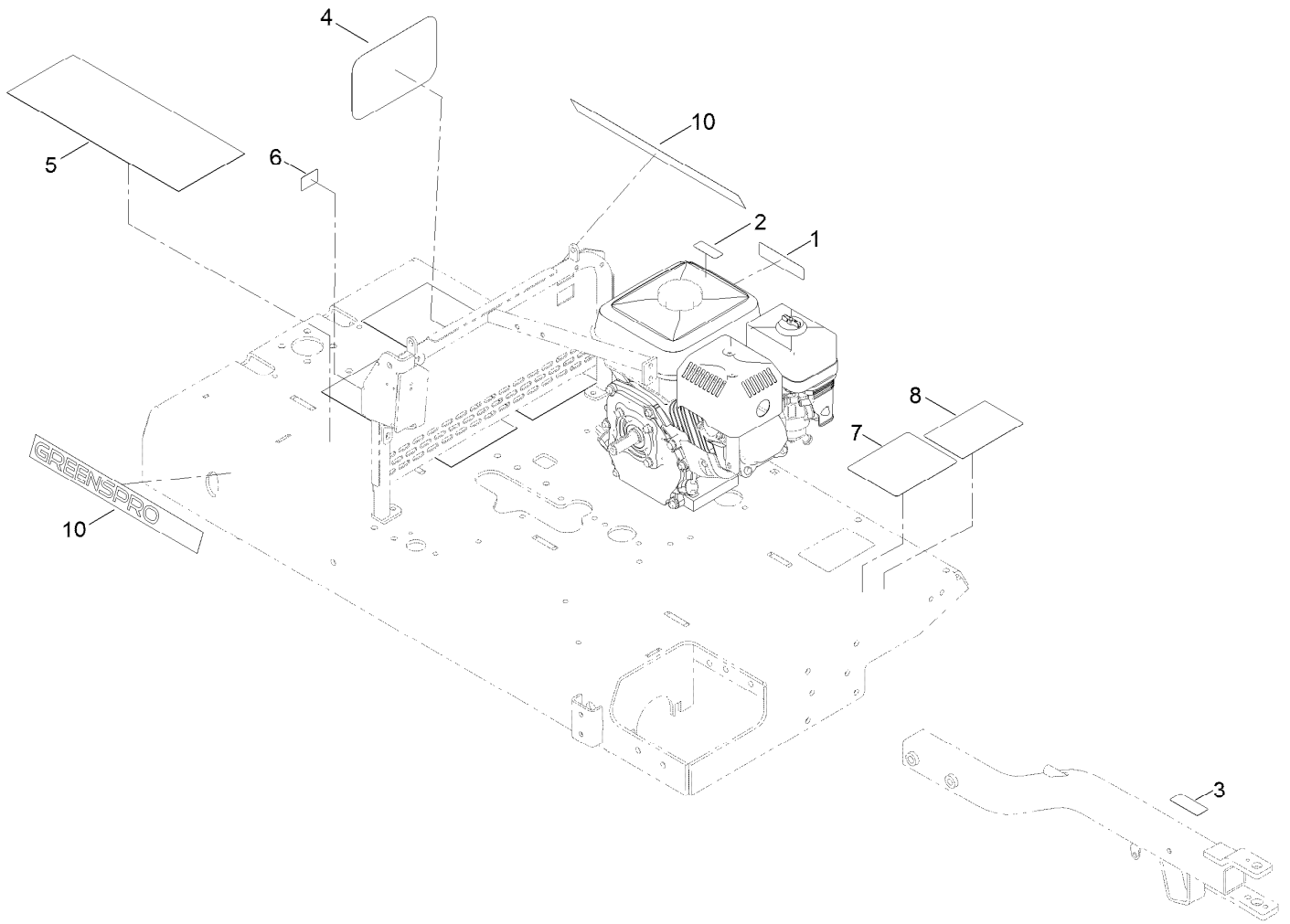


# Hydraulic Pump Assembly No. 132-4797 (continued)

<i>Ref.</i>	<i>Part Number</i>	<i>Qty.</i>	<i>Description</i>	<i>Ref.</i>	<i>Part Number</i>	<i>Qty.</i>	<i>Description</i>
1	133-1780	1	Housing Kit	30	133-1794	1	Washer-Flat
2	133-1781	1	Endcap Kit	32	133-1795	1	Swashplate-Coated, 10Cc
3	106-8753	2	Pin-Headless, Straight	34	121-3235	1	Bearing-Thrust, Plastic Cage
4	133-1783	4	Hex Flange Bolt	37	133-1797	1	Arm-Trunnion, Square (Taper)
6	133-1784	1	STD Charge Pump Kit	38	133-1798	1	Slot-Guide
9	133-1785	1	Charge Pump Bolt Kit	42	133-1799	2	Shock Valve 160 Bar Kit
10	115-4459	1	Return Kit	44	136-6150	1	Charge Relief Kit
11	105-6184	1	Seal Overhaul Kit ●	47	125-4682	1	O-Ring
12	104-5310	1	Seal-Lip	49	106-8761	1	Trunnion Seal / Retainer Kit
13	133-1787	1	Washer-Flat	56	106-8762	1	Plug-HSH
15	106-8759	1	Bypass Valve Kit	70	104-2189	2	Plug-Thread, Straight
18	133-1789	1	Shaft Kit	90	136-6154	1	Fan/Hub Kit
22	104-5309	1	Ring-Retaining	91	115-8307	1	Spring-Extension
23	105-6185	1	Plate-Valve				
25	103-2666	1	Cylinder Block Kit				
29	133-1793	1	Spring-Block				

● Not illustrated

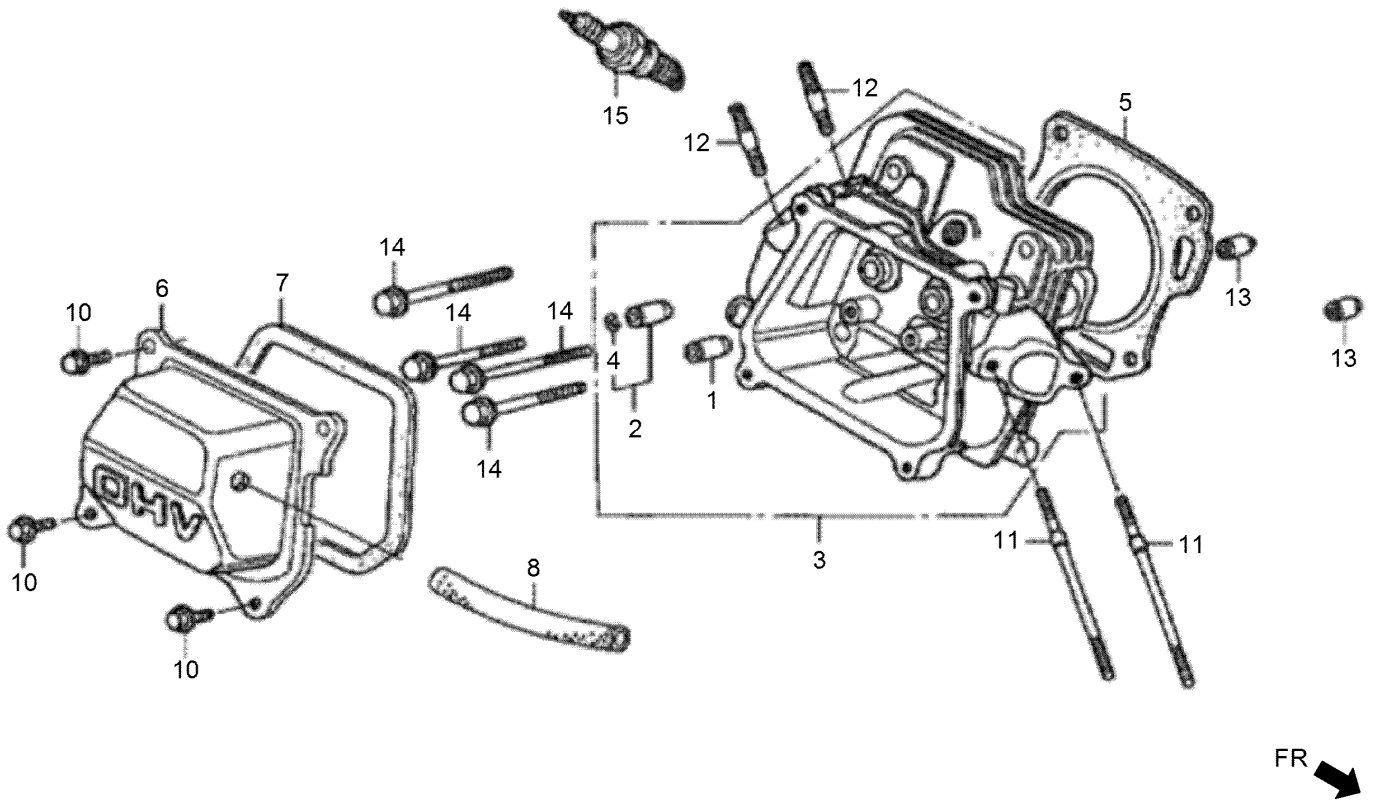
# Model Specific Decal Assembly



## Model Specific Decal Assembly (continued)

<i>Ref.</i>	<i>Part Number</i>	<i>Qty.</i>	<i>Description</i>	<i>Ref.</i>	<i>Part Number</i>	<i>Qty.</i>	<i>Description</i>
1	133-8062	1	Decal-Arrestor, Spark	6	131-0440	1	Decal-Brake, Parking
2	130-8322	1	Decal-Warning, Ethanol	7	147-9390	1	Decal-Service, Gp1260
3	127-5885	1	Decal-Disconnect, Hitch	8	127-5884	1	Decal-Operation
4	67-7320	1	Decal	10	132-9298	2	Decal
5	70-07-067	4	Tape-Slip, Anti				

# Cylinder Head Assembly

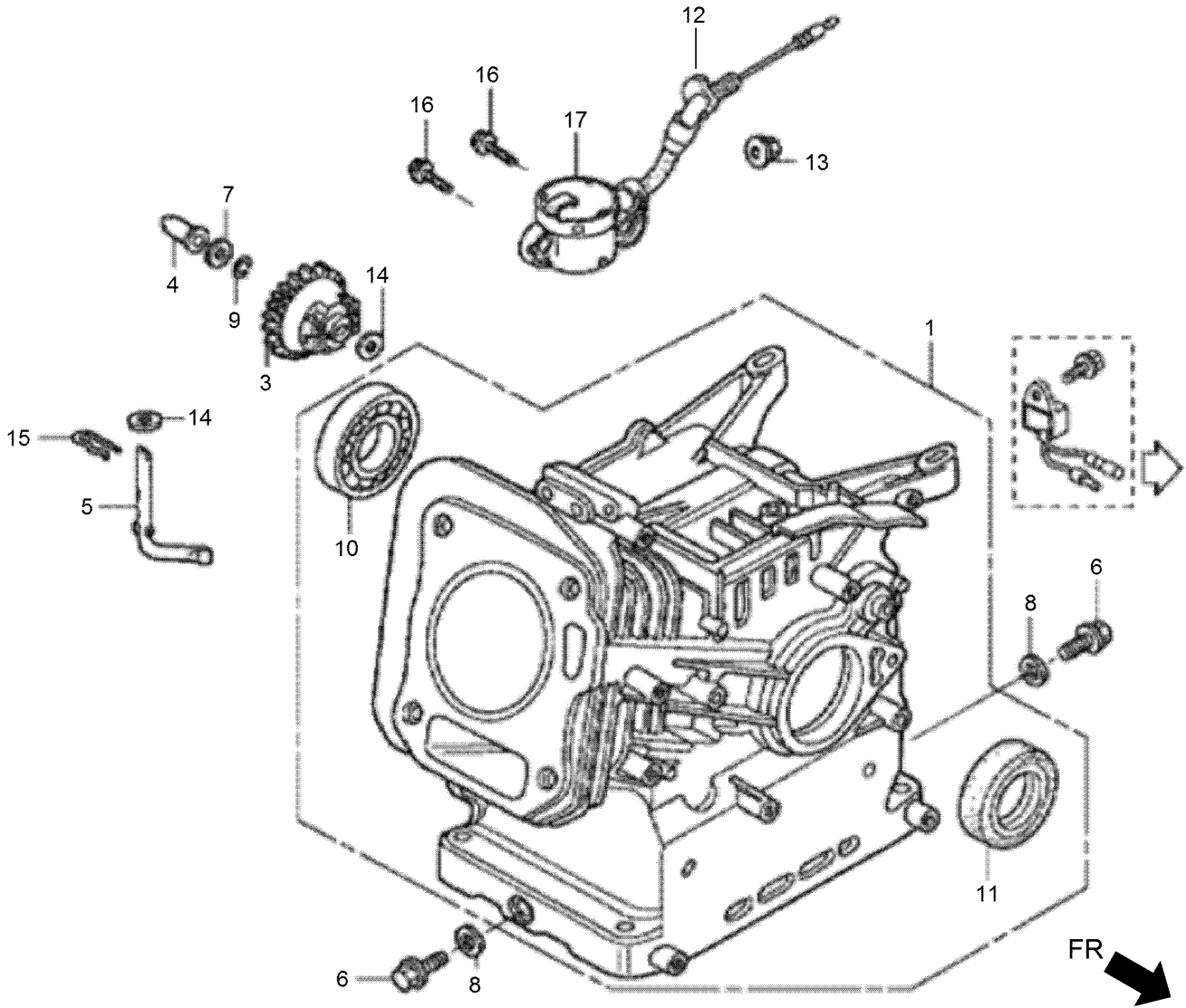




## Cylinder Head Assembly (continued)

<i>Ref.</i>	<i>Part Number</i>	<i>Qty.</i>	<i>Description</i>	<i>Ref.</i>	<i>Part Number</i>	<i>Qty.</i>	<i>Description</i>
1	132-0118	1	Guide-Intake Valve	8	132-0234	1	Tube-Breather
2	132-0119	1	Guide-Exhaust Valve	10	132-4880	4	Bolt-Flange-6X12
3	132-0124	1	Cylinder Head ASM	11	132-0612	2	Bolt-Stud-6X112
4	132-0125	1	Clip-Valve Guide	12	132-0615	2	Bolt-Stud-8X32
5	132-0126	1	Gasket-Cylinder Head	13	132-0697	2	Dowel Pin-10X16
6	132-0127	1	Head Cover ASM	14	131-8226	4	Bolt-Flange-8X60
7	132-0133	1	Packing-Head Cover	15	81-3250	1	Spark Plug

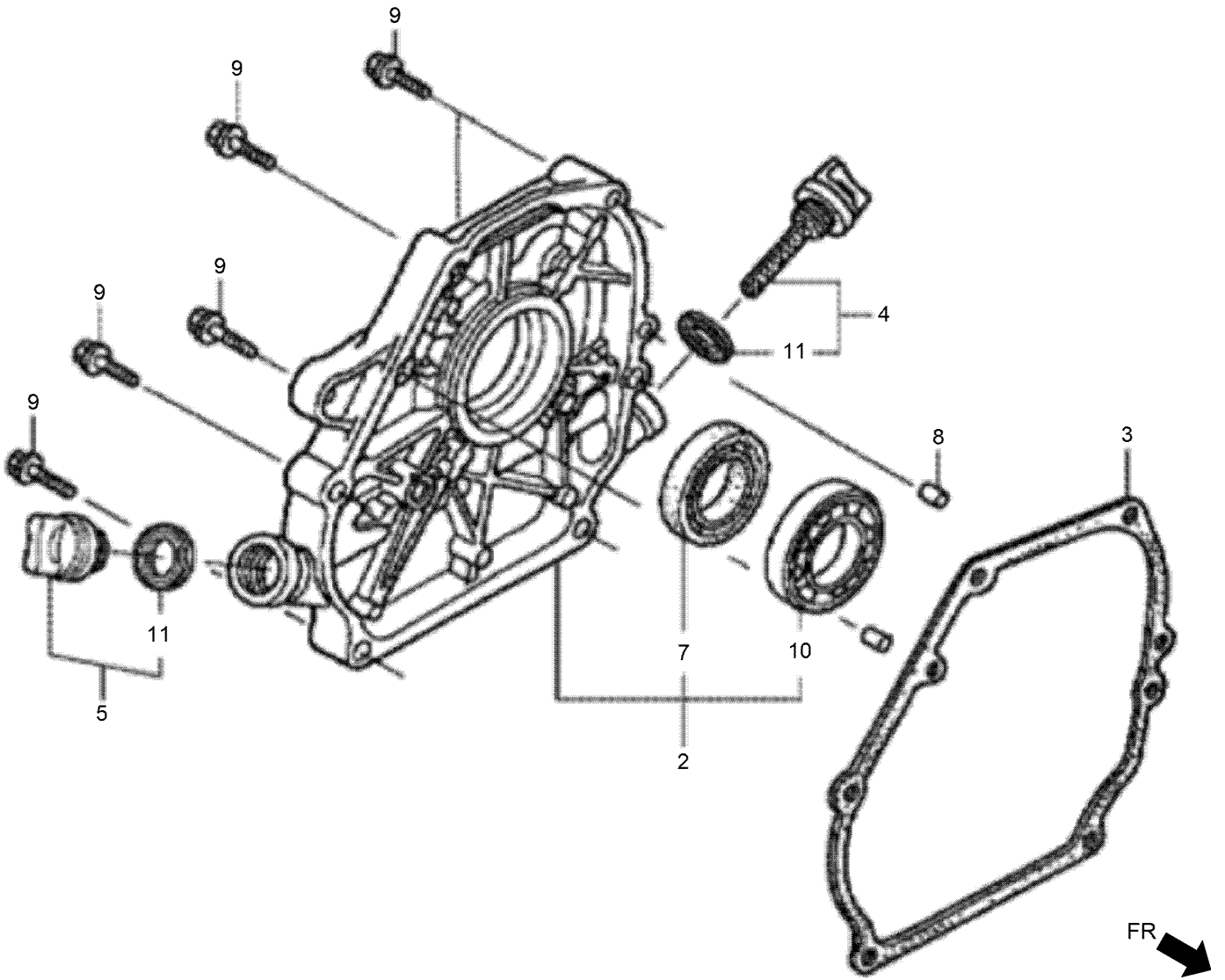
# Cylinder Barrel Assembly



## Cylinder Barrel Assembly (continued)

<i>Ref.</i>	<i>Part Number</i>	<i>Qty.</i>	<i>Description</i>	<i>Ref.</i>	<i>Part Number</i>	<i>Qty.</i>	<i>Description</i>
1	132-0114	1	Barrel ASM-Cylinder	10	132-0649	1	Bearing-Radial Ball
3	132-0294	1	Governor ASM	11	132-0654	1	Oil Seal-25X41X6
4	132-0304	1	Slider-Governor	11	132-0658	1	Oil Seal-25X41.25X6
5	132-0307	1	Shaft-Governor Arm	12	132-0668	1	O-Ring-14MM
6	132-0622	2	Bolt-Drain Plug	13	132-0686	1	Nut-Flange-10MM
7	132-0635	1	Washer-Thrust-6MM	14	132-0688	2	Washer-Plain-6MM
8	132-0640	2	Washer-Drain Plug-10.2MM	15	132-0693	1	Pin-Lock-8MM
9	132-0642	1	Clip-Governor Holder	16	131-8221	2	Bolt-Flange-6X12
10	132-0651	1	Bearing-Radial Ball	17	132-0532	1	Switch ASM-Oil Level
10	132-0650	1	Bearing-Radial Ball				

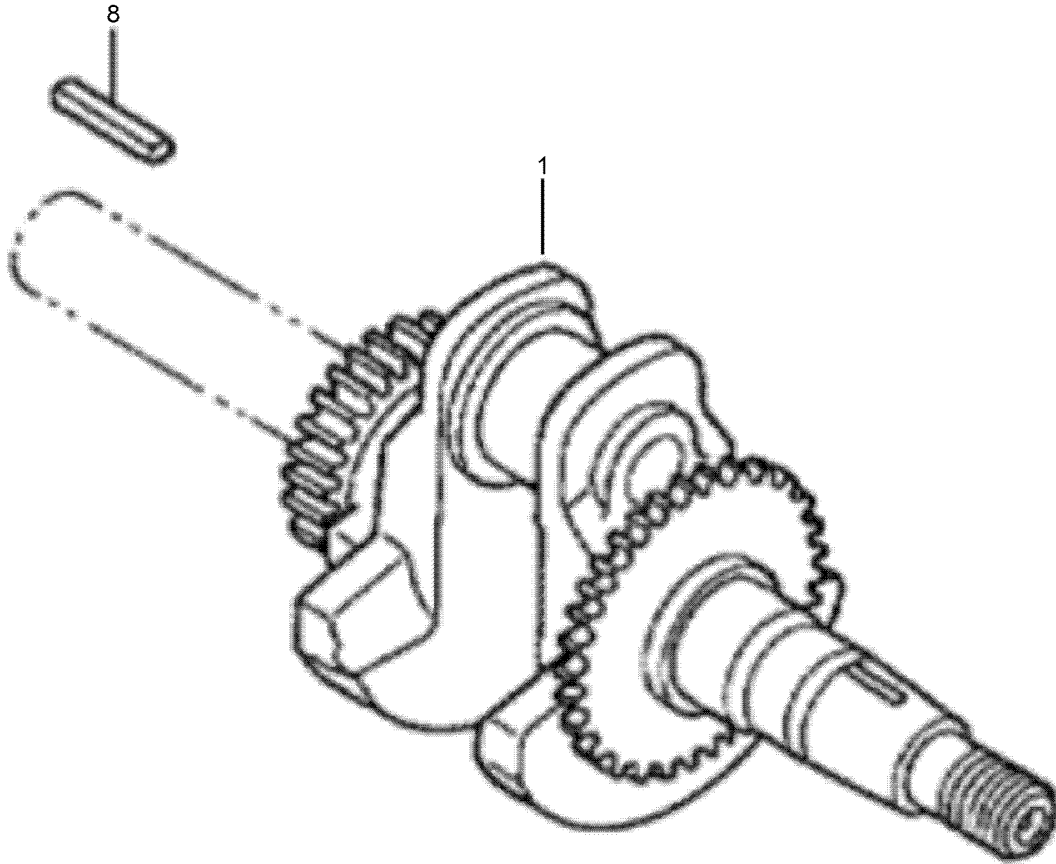
# Crankcase Cover Assembly



## Crankcase Cover Assembly (continued)

<i>Ref.</i>	<i>Part Number</i>	<i>Qty.</i>	<i>Description</i>	<i>Ref.</i>	<i>Part Number</i>	<i>Qty.</i>	<i>Description</i>
2	132-0103	1	Cover ASM-Crankcase	7	132-0658	1	Oil Seal-25X41.25X6
3	132-0108	1	Packing-Case Cover	8	132-0695	2	Dowel Pin-8X14
4	132-0220	1	Cap ASM-Oil Filler	9	131-8225	6	Bolt-Flange-8X32
5	132-0221	1	Cap ASM-Oil Filler	10	131-8227	1	Bearing-Radial Ball-6205
7	132-0654	1	Oil Seal-25X41X6	11	132-0224	2	Packing-Oil Filler Cap

# Crankshaft Assembly

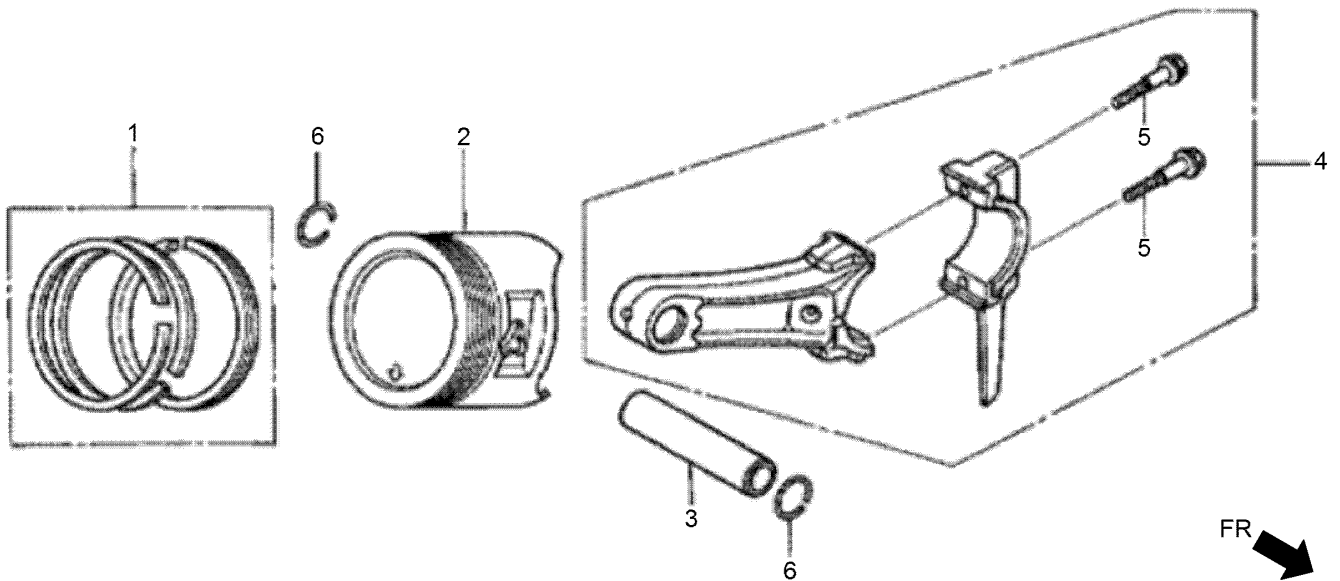


FR 

## Crankshaft Assembly (continued)

<i>Ref.</i>	<i>Part Number</i>	<i>Qty.</i>	<i>Description</i>
1	132-0164	1	Crankshaft ASM
8	132-0647	1	Key-5X5X33

# Piston and Connecting Rod Assembly

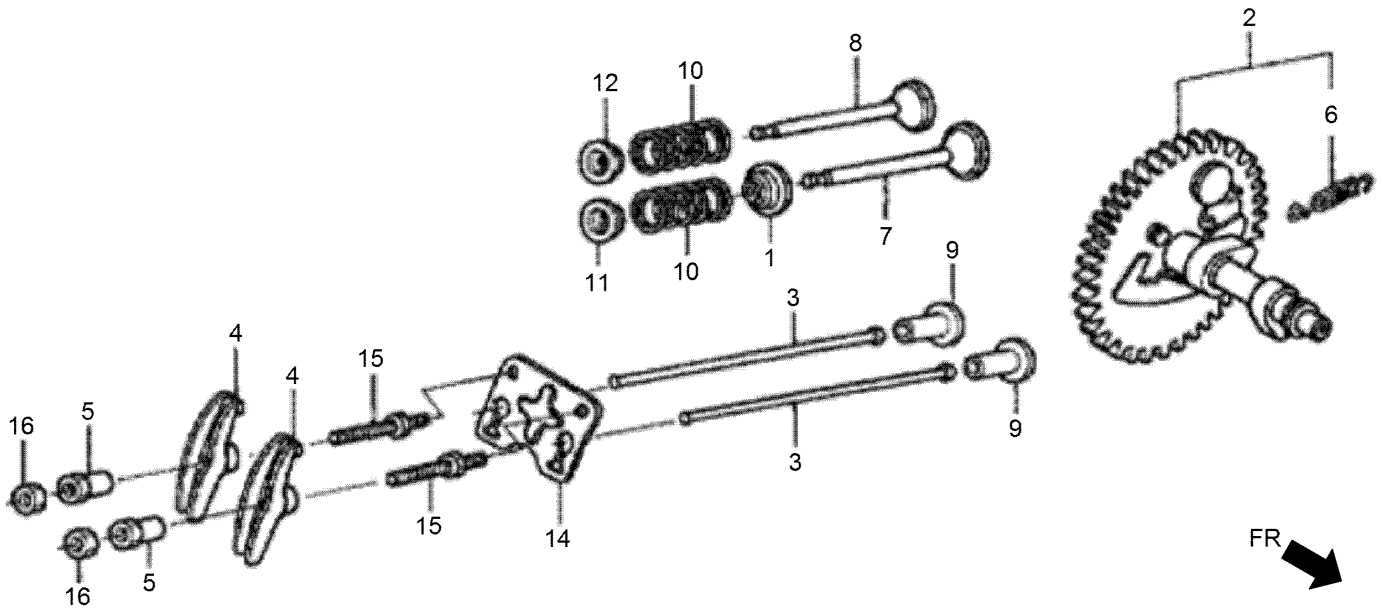




## Piston and Connecting Rod Assembly (continued)

<i>Ref.</i>	<i>Part Number</i>	<i>Qty.</i>	<i>Description</i>	<i>Ref.</i>	<i>Part Number</i>	<i>Qty.</i>	<i>Description</i>
1	132-0137	1	Ring Set-Piston (STD)	4	132-0155	1	Rod ASM-Connecting
1	132-0138	1	Ring Set-Piston (STD)	5	132-0573	2	Bolt-Connecting Rod
2	132-0144	1	Piston	6	132-0637	2	Clip-Piston Pin-18MM
3	132-0150	1	Pin-Piston				

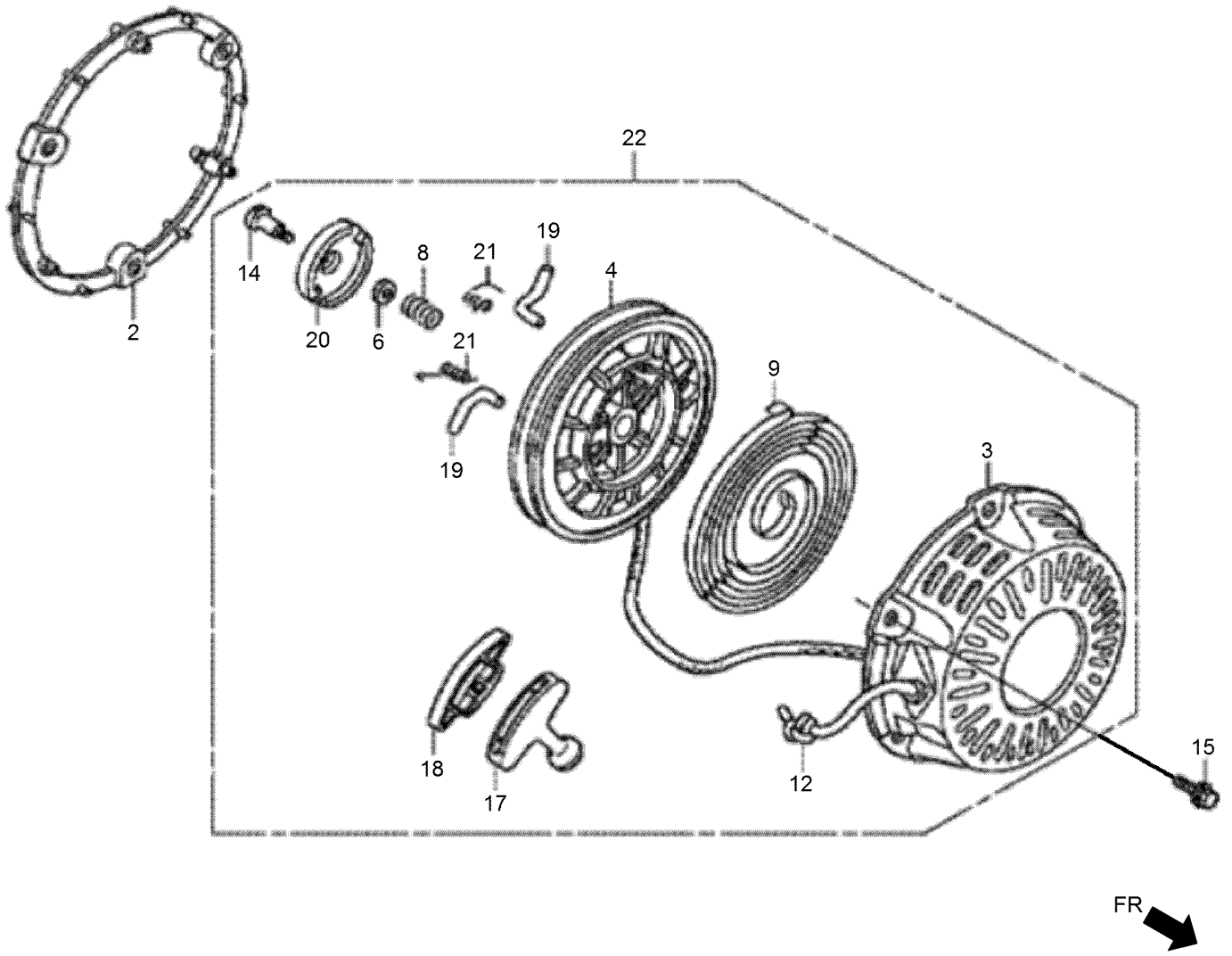
# Camshaft Assembly



## Camshaft Assembly (continued)

<i>Ref.</i>	<i>Part Number</i>	<i>Qty.</i>	<i>Description</i>	<i>Ref.</i>	<i>Part Number</i>	<i>Qty.</i>	<i>Description</i>
1	132-0120	1	Seal-Valve Stem	10	132-0206	2	Spring-Valve
2	132-0172	1	Camshaft ASM	11	132-0211	1	Retainer-Intake Valve Spring
3	132-0181	2	Rod-Push	12	132-0211	1	Retainer-Intake Valve Spring
4	132-0184	2	Arm-Valve Rocker	14	132-0215	1	Plate-Push Rod Guide
5	132-0188	2	Pivot-Rocker Arm	15	132-0592	2	Bolt-Pivot-8MM
6	132-0191	1	Spring-Weight Return	16	132-0629	2	Nut-Pivot Adjusting
7	132-0194	1	Valve-Intake				
8	132-0198	1	Valve-Exhaust				
9	132-0203	2	Lifter-Valve				

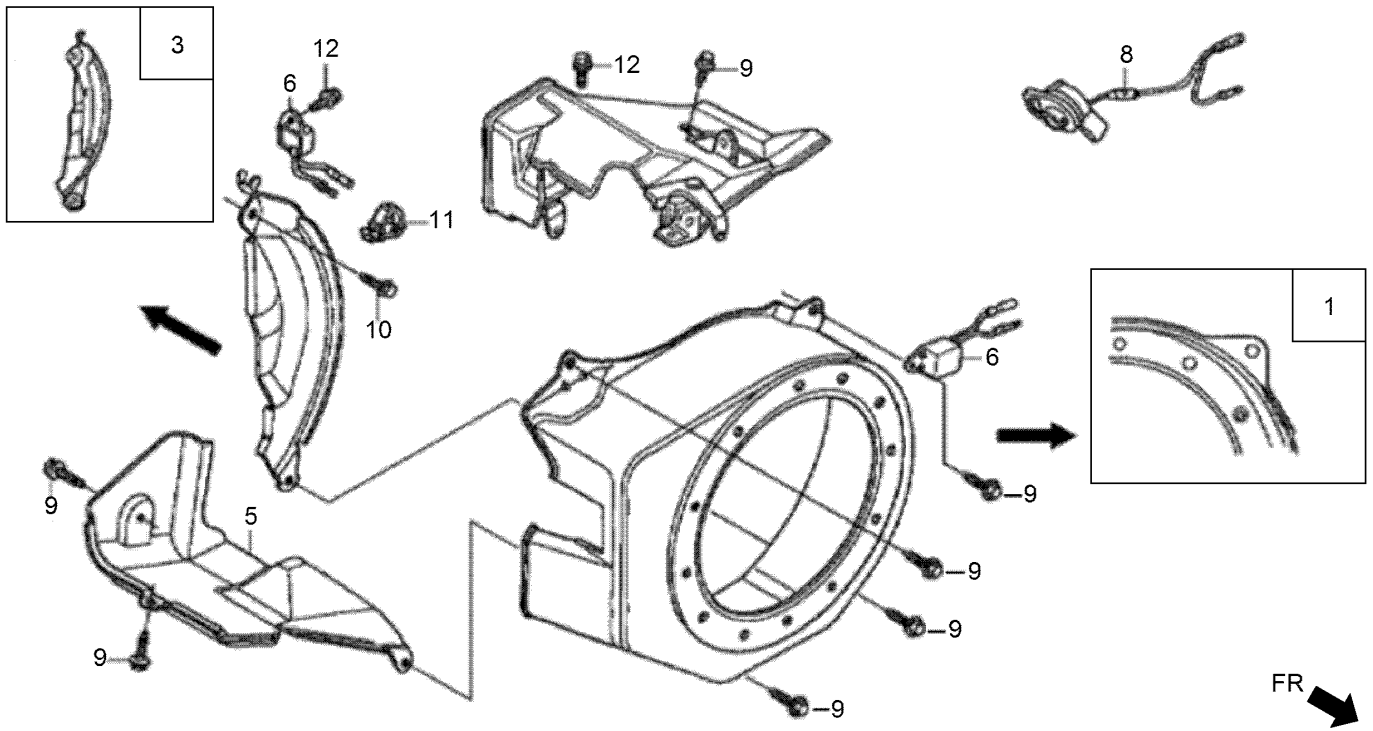
# Recoil Starter Assembly



## Recoil Starter Assembly (continued)

<i>Ref.</i>	<i>Part Number</i>	<i>Qty.</i>	<i>Description</i>	<i>Ref.</i>	<i>Part Number</i>	<i>Qty.</i>	<i>Description</i>
2	132-0485	1	Spacer-Recoil Starter Mtg	14	132-0579	1	Screw-Setting
3	132-0486	1	Recoil Starter Case ASM (R280)	15	131-8223	3	Bolt-Flange-6X18
4	138-9142	1	Reel-Recoil, Starter	17	132-0502	1	Knob-Recoil Starter
6	132-0492	1	Plate-Friction	18	132-0509	1	Knob-Reinforcement
8	132-0494	1	Spring-Friction	19	138-9143	2	Ratchet-Starter
9	132-0495	1	Spring-Recoil Starter	20	138-9144	1	Guide-Ratchet
12	132-0507	1	Rope-Recoil Starter	21	138-9145	2	Spring-Return
				22	138-9123	1	Starter ASM-Recoil

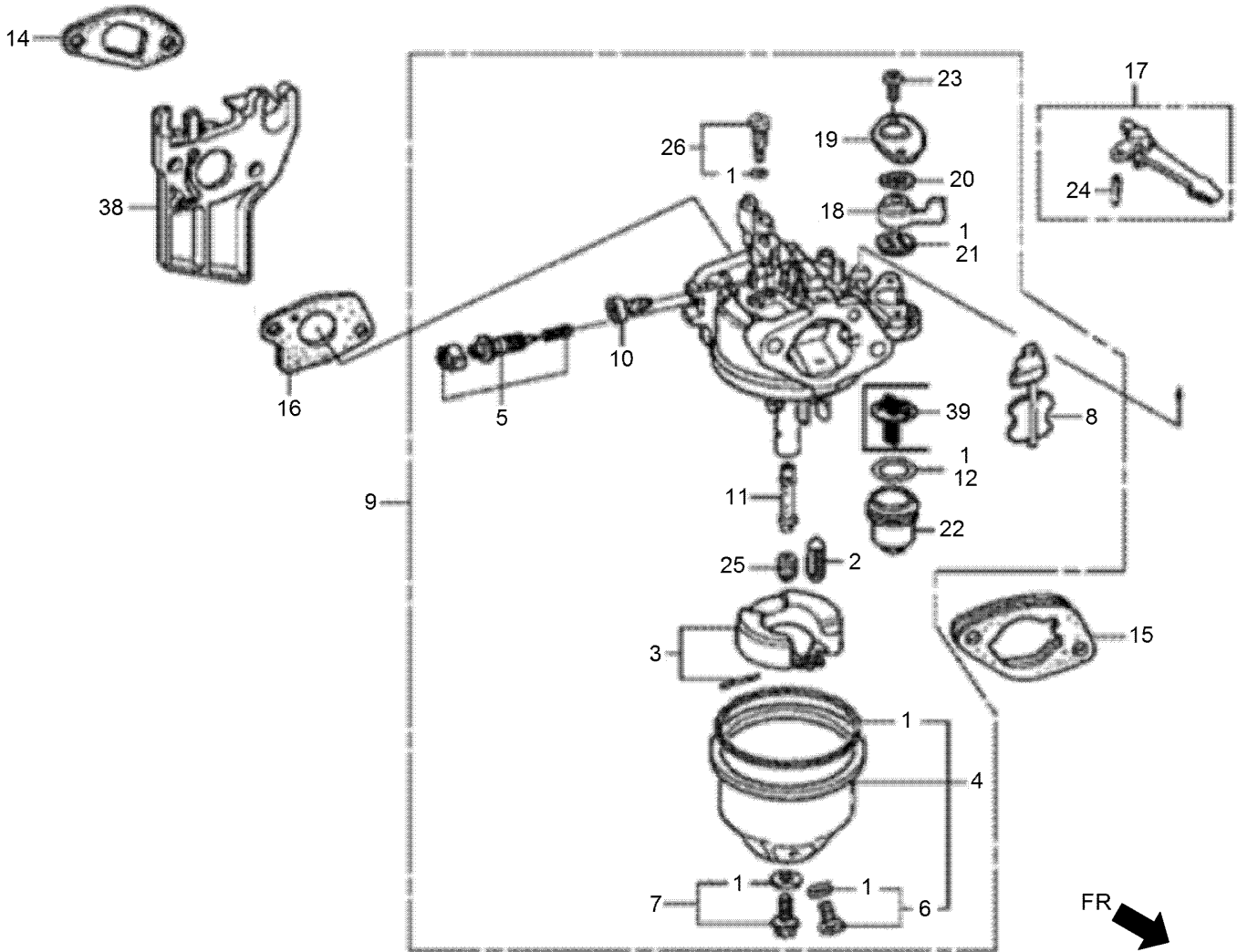
# Fan Cover Assembly



## Fan Cover Assembly (continued)

<i>Ref.</i>	<i>Part Number</i>	<i>Qty.</i>	<i>Description</i>	<i>Ref.</i>	<i>Part Number</i>	<i>Qty.</i>	<i>Description</i>
1	132-0464	1	Fan Cover ASM (R280)	8	140-0252	1	Switch ASM., Engine Stop (Minda)
3	132-0469	1	Side Plate ASM	9	132-4880	6	Bolt-Flange-6X12
5	132-0473	1	Shroud ASM	10	132-0605	1	Bolt-Flange-6X20
6	132-0529	1	Alert Unit-Oil	11	132-0641	1	Clip-Harness
8	140-0251	1	Switch ASM., Engine Stop (Toyo Denso)	12	131-8220	1	Bolt-Flange-6X8

# Carburetor Assembly

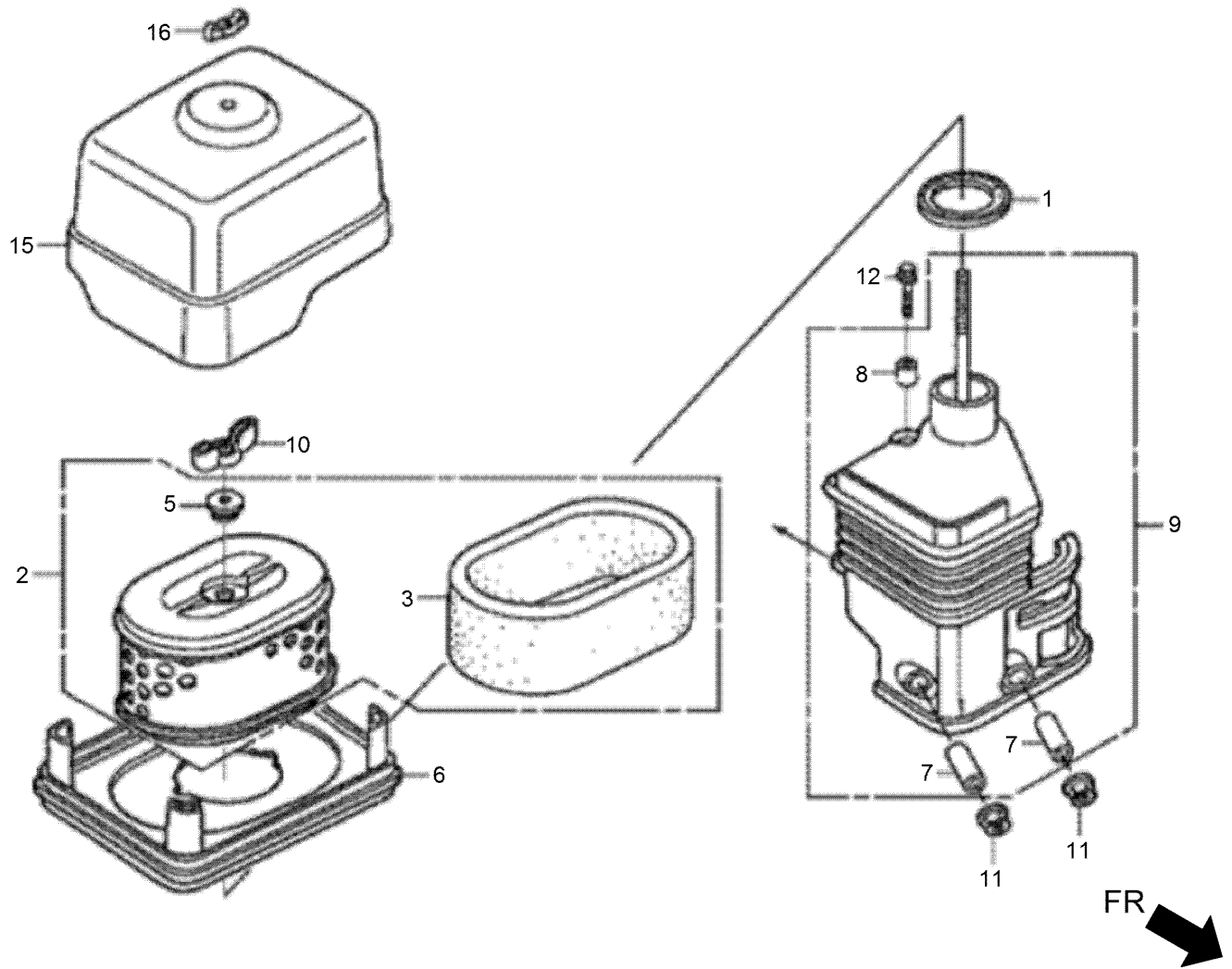




## Carburetor Assembly (continued)

<i>Ref.</i>	<i>Part Number</i>	<i>Qty.</i>	<i>Description</i>	<i>Ref.</i>	<i>Part Number</i>	<i>Qty.</i>	<i>Description</i>
1	132-0239	1	Gasket Set	16	132-0287	1	Packing-Carburetor
2	132-0241	1	Valve Set-Float	17	132-0343	1	Choke Lever ASM
3	132-0242	1	Float Set	18	132-0359	1	Lever-Cock
4	132-0247	1	Chamber Set-Float	19	132-0360	1	Plate-Lever Setting
5	132-0250	1	Screw Set-Pilot	20	132-0362	1	Spring-Cock Lever
6	132-0251	1	Screw Set-Drain	21	132-0364	1	Packing-Fuel Cock
7	132-0253	1	Screw Set	22	132-0366	1	Cup-Fuel Strainer
8	132-0257	1	Choke Set	23	132-0676	2	Screw-Pan-3X6
9	132-0265	1	Carburetor ASM	24	132-0698	1	Pin-Spring-2X12
10	132-0268	1	Screw-Throttle Stop	25	131-8237	1	Jet-Main, No. 75
11	132-0272	1	Nozzle-Main	26	131-8239	1	Jet Set-Pilot, No. 40
12	132-0276	1	Packing-Fuel Strainer Cup	38	132-0278	1	Insulator-Carburetor
14	132-0281	1	Packing-Insulator	39	132-0365	1	Filter-Cup
15	132-0284	1	Carburetor Spacer ASM				

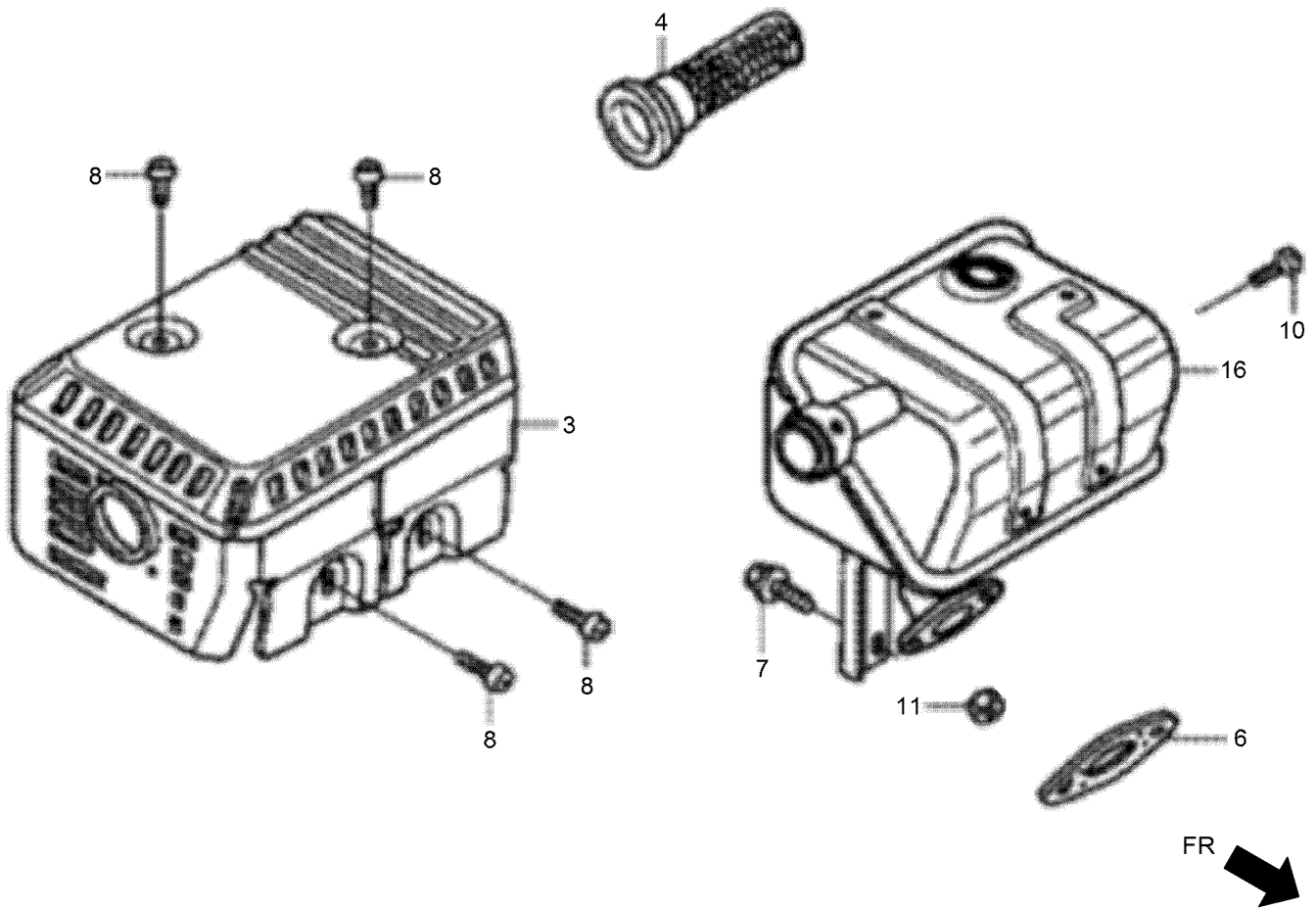
# Air Cleaner Assembly



## Air Cleaner Assembly (continued)

<i>Ref.</i>	<i>Part Number</i>	<i>Qty.</i>	<i>Description</i>	<i>Ref.</i>	<i>Part Number</i>	<i>Qty.</i>	<i>Description</i>
1	132-0291	1	Packing-Elbow	9	132-0396	1	Elbow Comp-Air Cleaner
2	138-9146	1	Element, Air Cleaner (Dual)	10	132-0631	1	Nut-Tool Box Setting
3	132-0372	1	Filter-Outer	11	132-4881	2	Nut-Flange-6MM
5	132-0391	1	Grommet-Air Cleaner	12	131-8224	1	Bolt-Flange-6X20
6	132-0392	1	Nose-Silencer	15	132-0388	1	Cover-Air Cleaner
7	132-0393	2	Collar-Air Cleaner	16	138-9147	1	Nut, Air Cleaner
8	132-0394	1	Collar B-Air Cleaner				

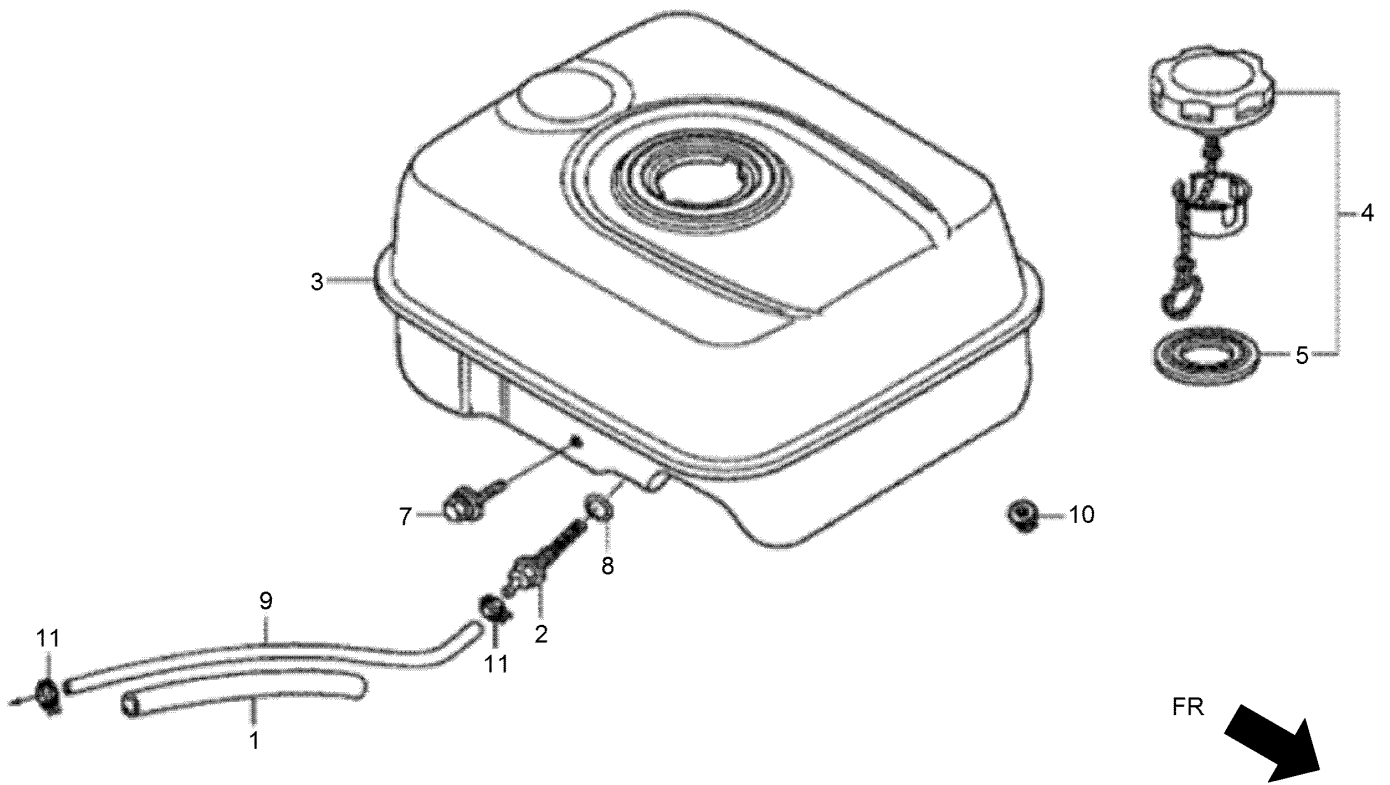
# Muffler Assembly



## Muffler Assembly (continued)

<i>Ref.</i>	<i>Part Number</i>	<i>Qty.</i>	<i>Description</i>	<i>Ref.</i>	<i>Part Number</i>	<i>Qty.</i>	<i>Description</i>
3	132-0453	1	Muffler Protector ASM	8	132-0616	4	Screw-Tapping-5X8
4	132-0456	1	Arrester-Spark	10	132-0617	1	Screw-Tapping-4X6
6	132-0457	1	Gasket-Muffler	11	132-0684	2	Nut-Hex-8MM
7	132-0600	1	Bolt-Flange-6X13	16	132-0446	1	Muffler ASM

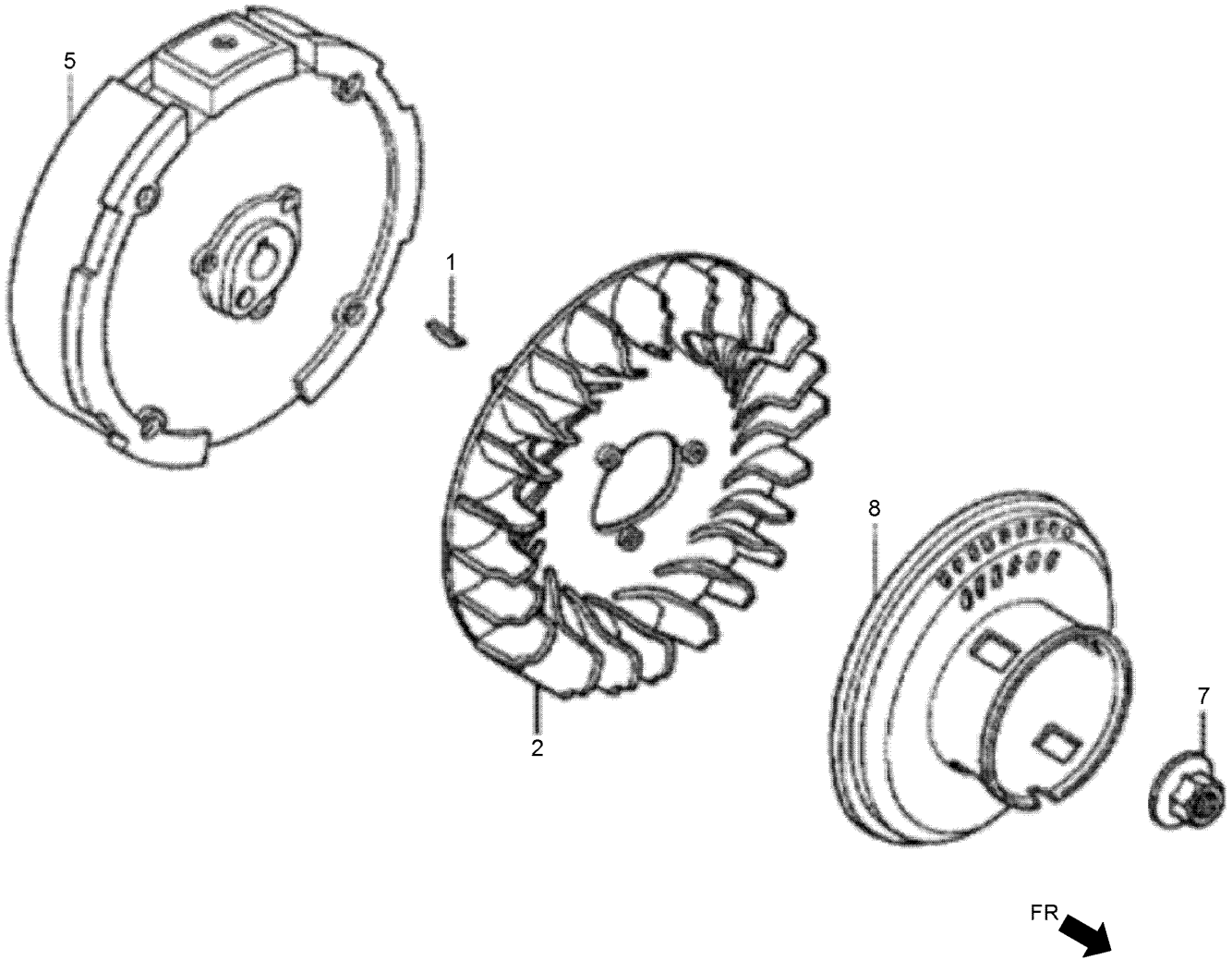
# Fuel Tank Assembly



## Fuel Tank Assembly (continued)

<i>Ref.</i>	<i>Part Number</i>	<i>Qty.</i>	<i>Description</i>	<i>Ref.</i>	<i>Part Number</i>	<i>Qty.</i>	<i>Description</i>
1	132-0349	1	Rubber-Supporter	7	132-0583	1	Bolt-Flange-6X34
2	132-0361	1	Joint-Fuel Tank	8	132-0668	1	O-Ring-14MM
3	132-0397	1	Fuel Tank ASM (Nh31)	9	132-0669	1	Tube-Fuel-4.5X145
4	132-0414	1	Fuel Filler Cap ASM	10	132-4881	2	Nut-Flange-6MM
5	132-0431	1	Packing-Fuel Filler Cap	11	131-8211	2	Clamp-Tube

# Flywheel Assembly

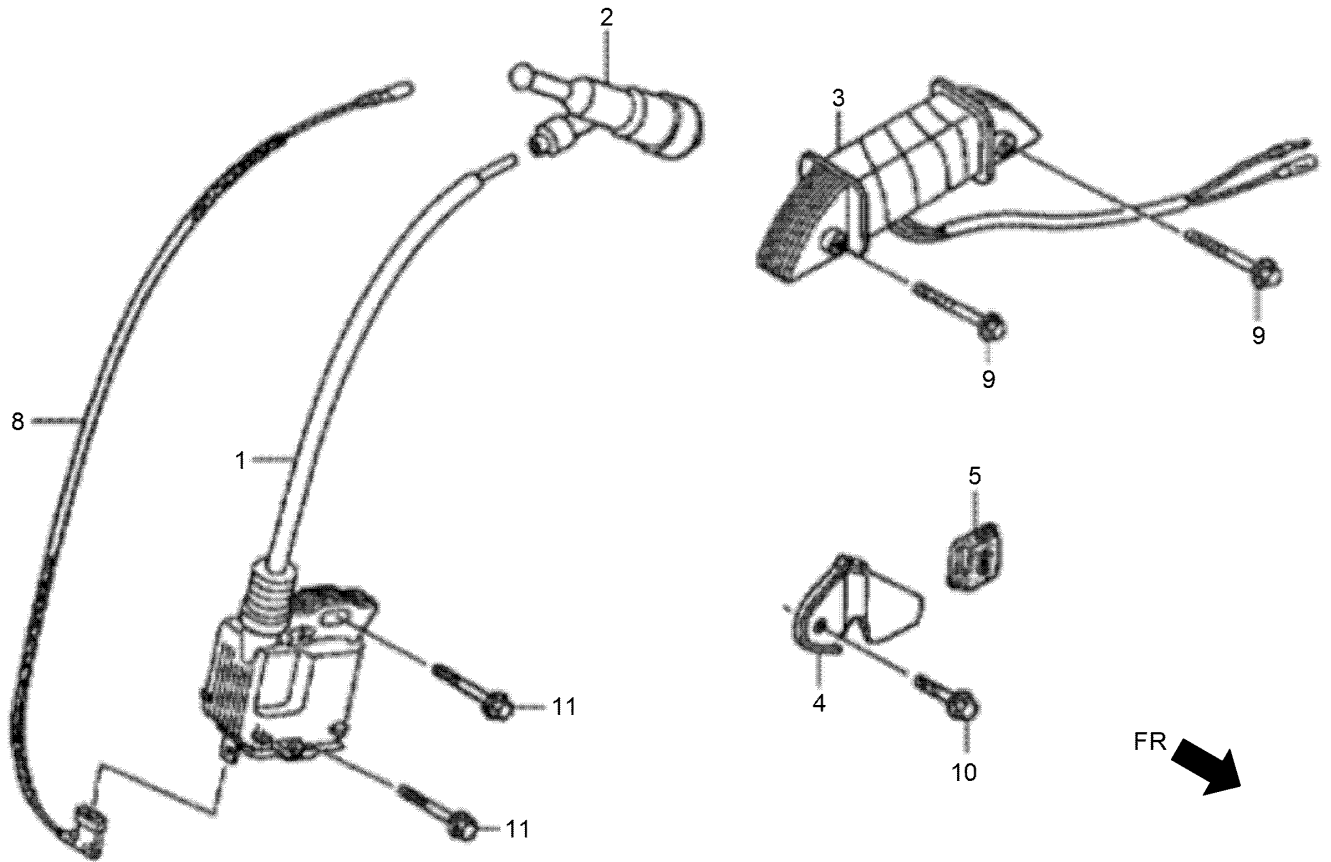




## Flywheel Assembly (continued)

<i>Ref.</i>	<i>Part Number</i>	<i>Qty.</i>	<i>Description</i>	<i>Ref.</i>	<i>Part Number</i>	<i>Qty.</i>	<i>Description</i>
1	132-0167	1	Key-Special Woodruff-25X18	5	132-0519	1	Flywheel ASM
2	132-0461	1	Fan-Cooling	7	132-0625	1	Nut-Special-14MM
				8	138-9148	1	Pulley-Starter

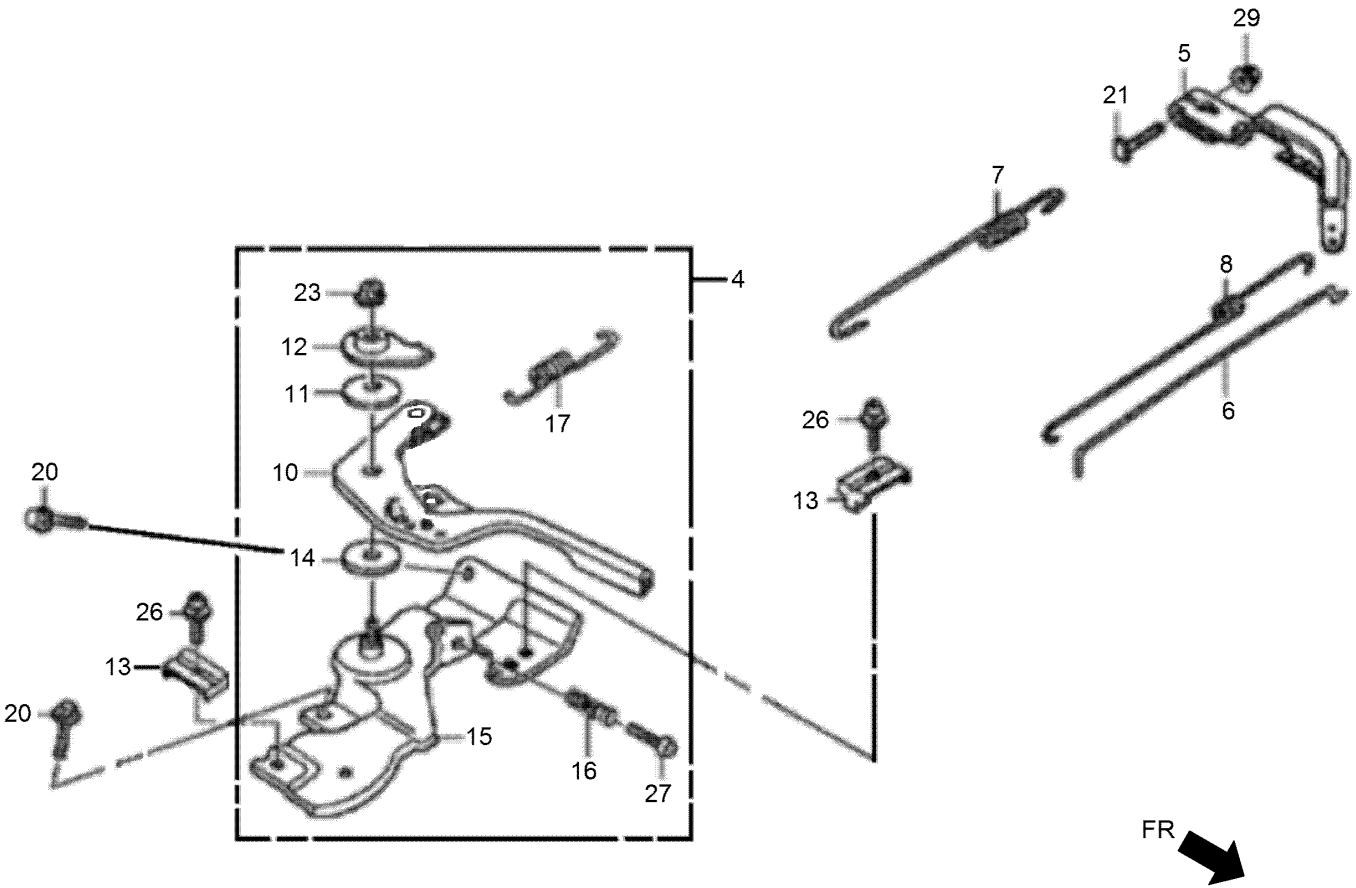
# Ignition Coil Assembly



## Ignition Coil Assembly (continued)

<i>Ref.</i>	<i>Part Number</i>	<i>Qty.</i>	<i>Description</i>	<i>Ref.</i>	<i>Part Number</i>	<i>Qty.</i>	<i>Description</i>
1	138-9149	1	Coil ASM-Ignition (Tec)	8	140-0250	1	Cord, Stop Switch (370MM)
2	132-0515	1	Cap ASM-Noise Suppressor	9	132-0596	2	Bolt-Flange-6X28
3	132-0521	1	Coil ASM-Lamp	10	132-0604	1	Bolt-Flange-5X10
4	132-0522	1	Clamper-Cord	11	132-0620	2	Bolt-Flange-6X25
5	132-0523	1	Grommet-Cord				

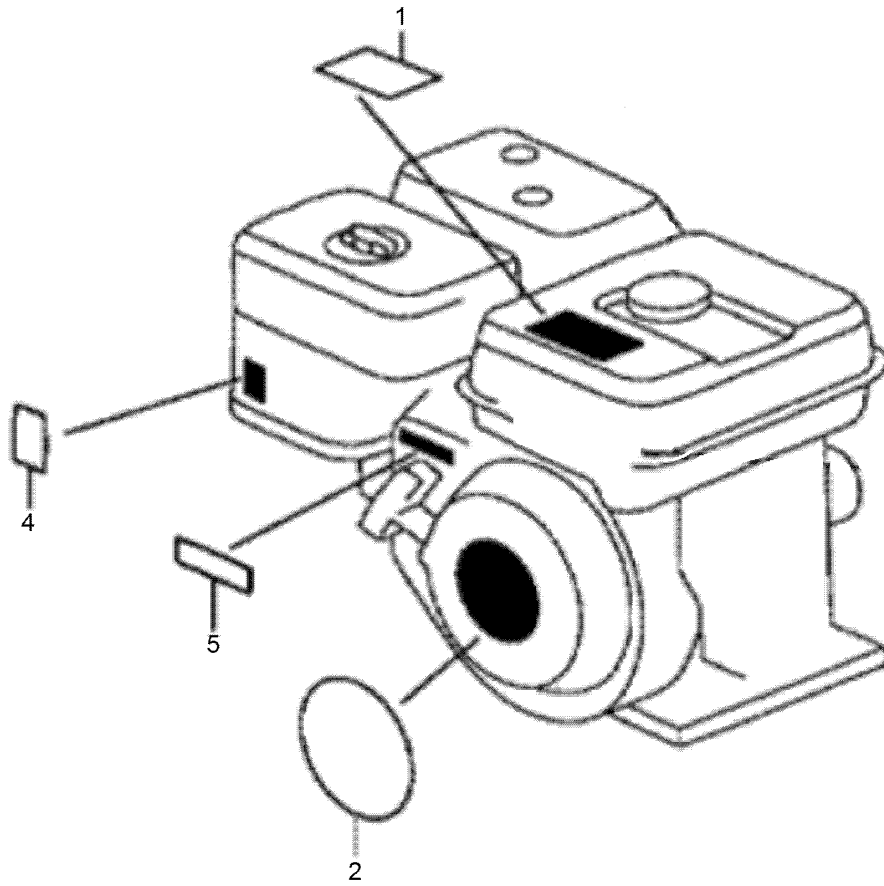
# Control Assembly



## Control Assembly (continued)

<i>Ref.</i>	<i>Part Number</i>	<i>Qty.</i>	<i>Description</i>	<i>Ref.</i>	<i>Part Number</i>	<i>Qty.</i>	<i>Description</i>
4	132-0292	1	Control ASM	15	132-0337	1	Control Base ASM
5	132-0311	1	Arm-Governor	16	132-0340	1	Spring-Control Adjusting
6	132-0316	1	Rod-Governor	17	132-0341	1	Spring-Cable Return
7	132-0320	1	Spring-Governor	20	132-4880	2	Bolt-Flange-6X12
8	132-0324	1	Spring-Throttle Return	21	132-0597	1	Bolt-Governor Arm
10	132-0328	1	Lever-Control	23	132-0619	1	Nut-Self-Lock-6MM
11	132-0329	1	Spring-Lever	26	132-0678	1	Screw-Pan-5X16
12	132-0330	1	Washer-Control Lever	27	132-0679	1	Screw-Pan-5X25
13	132-0331	1	Holder-Cable	29	132-4881	1	Nut-Flange-6MM
14	132-0332	1	Spacer-Control Lever				

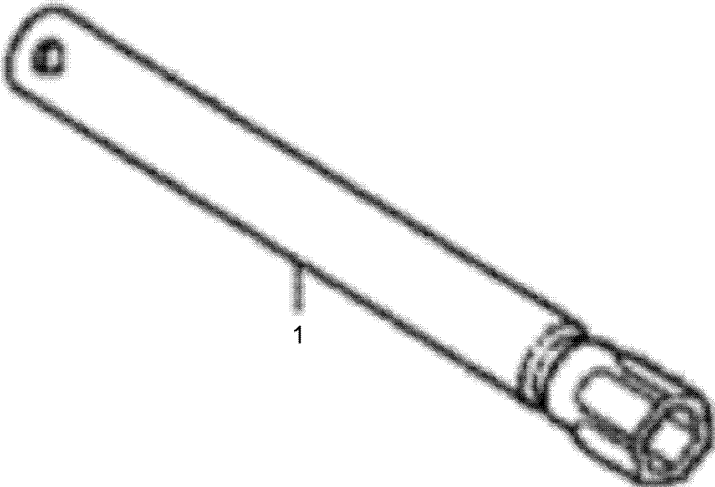
# Label Assembly



## Label Assembly (continued)

<i>Ref.</i>	<i>Part Number</i>	<i>Qty.</i>	<i>Description</i>	<i>Ref.</i>	<i>Part Number</i>	<i>Qty.</i>	<i>Description</i>
1	132-0559	1	Mark-Operator Caution	4	132-0566	1	Mark-Choke
2	132-0561	1	Emblem	5	132-0567	1	Mark-Throttle Indication

# Wrench

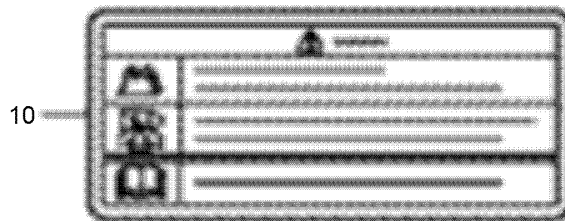
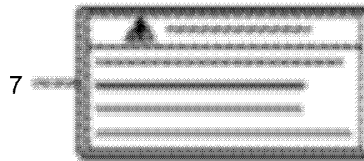




## Wrench (continued)

<i>Ref.</i>	<i>Part Number</i>	<i>Qty.</i>	<i>Description</i>
1	132-0572	1	Wrench-Spark Plug

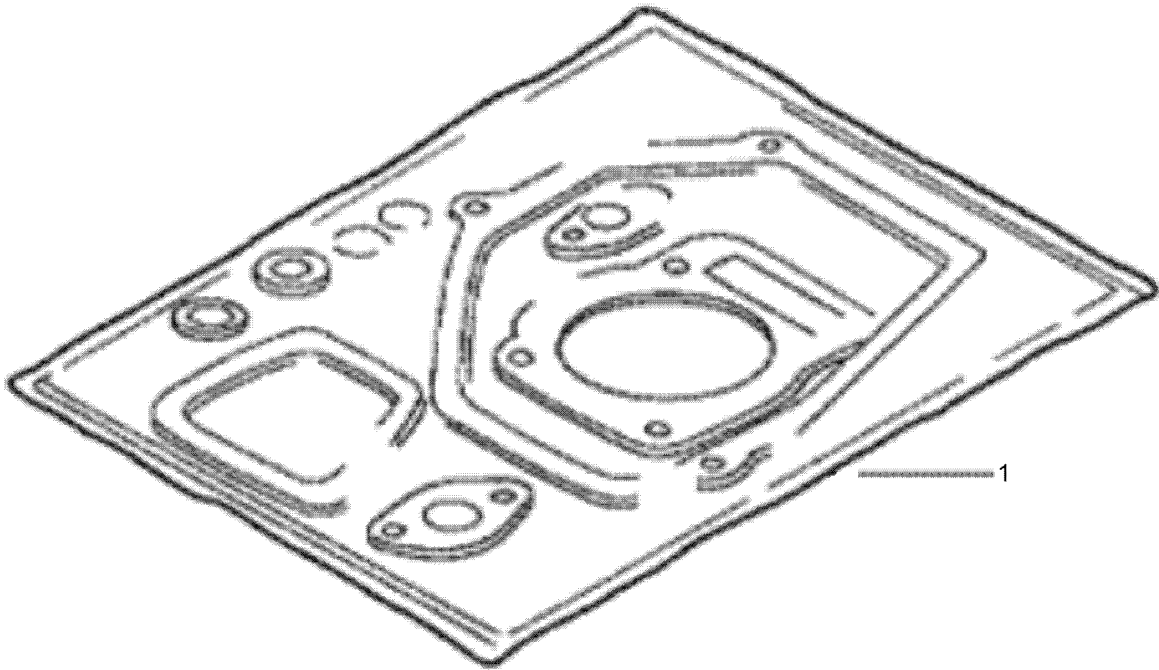
# Decal Assembly



## Decal Assembly (continued)

<i>Ref.</i>	<i>Part Number</i>	<i>Qty.</i>	<i>Description</i>	<i>Ref.</i>	<i>Part Number</i>	<i>Qty.</i>	<i>Description</i>
5	132-0552	1	Mark-Operator Caution (English)	7	132-0571	1	Mark-Exhaust Caution (French)
5	132-0553	1	Mark-Operator Caution (French)	10	132-0557	1	Mark-Operator Caution (Chinese)
7	132-0570	1	Mark-Exhaust Caution (English)				

# Gasket Kit



## Gasket Kit (continued)

<i>Ref.</i>	<i>Part Number</i>	<i>Qty.</i>	<i>Description</i>
1	132-0100	1	Gasket Kit

# Attachments and Accessories

## For 44913 GreensPro 1260 Greens Roller

<b>Product Name</b>	<b>Model/Part</b>
Filter-Oil, Hyd.....	1-633750
Wireless Hourmeter .....	115-4754
Premium Engine Oil 10w30 (5 Gallon Pail) .....	121-6393
PX Hydraulic Fluid (5 Gal) .....	133-8086
Toro Red 12oz Aerosol Can .....	361-10
New Red Paint - Gallon .....	361-11
Semi-Gloss Black Spray Paint .....	361-9
Air Dry Red Paint - Qt .....	5340

**Notes:**



**Count on it.**