



**Count on it.**

**Parts Catalog**

**Greensmaster® Flex™ 1018  
Traction Unit**

Model No. 04850—Serial No. 415300000 and Up



# Ordering Replacement Parts

To order replacement parts, please supply the part number, the quantity, and the description of each part desired.

## Understanding Reference Numbers

Each identified part in an illustration has a reference number. The reference number for a part also appears in the parts list, along with other information about the part.

This catalog uses two special reference number formats, one to indicate parts in a service assembly and another to indicate the quantity of a given part in an illustration.

## Service Assembly Reference Numbers

Parts in service assemblies have reference numbers in the form a:b. The a represents the reference number of the entire service assembly and the b represents a sequential number unique to each part within the service assembly.

For example, a wheel assembly might be identified by reference number 6, the tire by 6:1, the valve by 6:2, and the wheel by 6:3. When you order the assembly identified by reference number 6, you receive all parts identified by reference numbers 6:1, 6:2, and 6:3. However, you may also order any part individually. Reference numbers of this type appear in illustration and in parts lists.

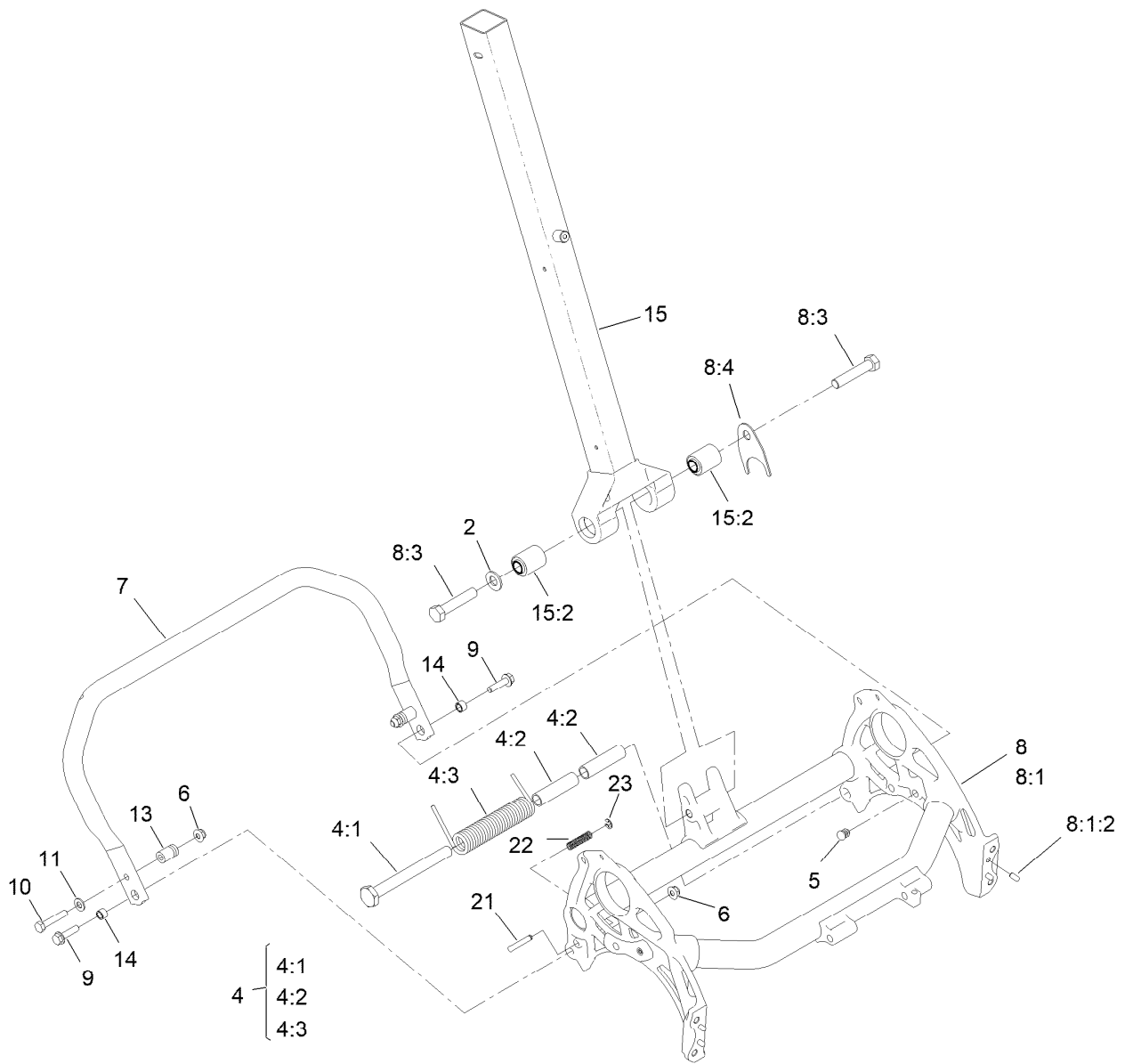
## Reference Numbers Indicating Quantity

In an illustration, if a reference number indicates more than one part, the reference number has the form nX y. The n represents the quantity of the part, the X is the multiplication symbol, and the y represents the reference number.

For example, in an illustration, the reference number 2X 37 means that two of the parts identified by reference number 37 are indicated.

# Contents

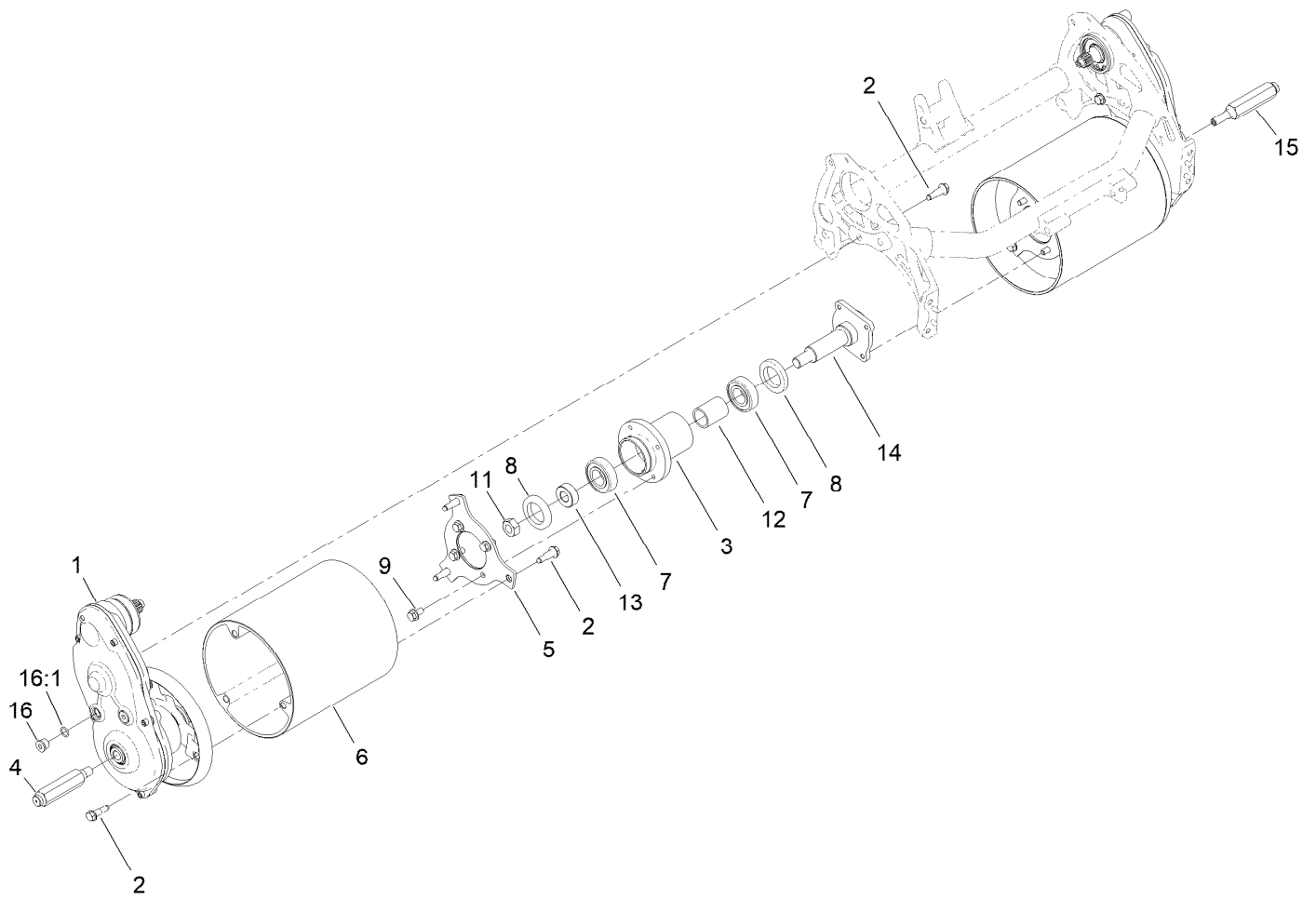
Frame and Handle Mount Assembly .....	4
Drum Drive Assembly .....	5
Drum Drive Replacement Kit Assembly No. 140-9329 .....	6
Drum Drive Gearbox Assembly .....	7
Transmission Assembly .....	8
Transmission Replacement Kit Assembly No. 140-9324 .....	9
Transmission Gearbox Assembly No. 140-9324 Transmission Case Assembly .....	10
Transmission Gearbox Assembly No. 140-9324 Reel Drive Assembly .....	11
Transmission Gearbox Assembly No. 140-9324 Traction Drive Assembly .....	12
Differential Assembly No. 132-4555 .....	13
Engine Assembly .....	14
Engine Assembly No. 147-2328 .....	15
Frame Assembly .....	16
Grass Basket Assembly No. 121-4710 .....	17
Basket Assembly No. 130-6750 .....	18
Reel Controls and Covers Assembly .....	19
Upper Receiver Assembly No. 147-2288 .....	20
Upper Handle Assembly .....	21
Traction Bail Assembly .....	22
Miscellaneous Parts Assembly .....	23
Attachments and Accessories .....	24



## Frame and Handle Mount Assembly

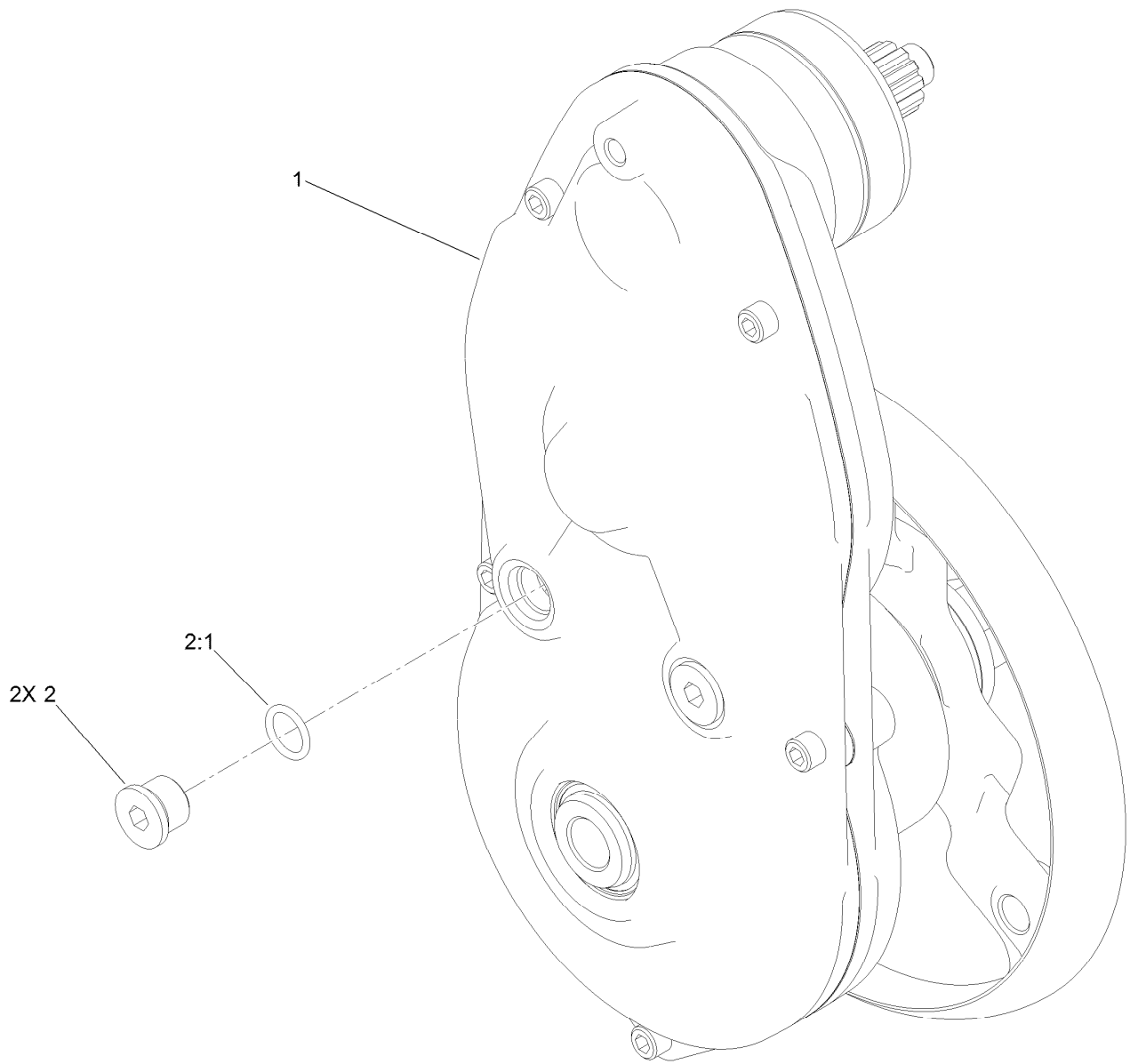
Ref.	Part Number	Qty.	Description	Ref.	Part Number	Qty.	Description
2	3256-26	1	Washer-Flat	8:3	325-10	2	Screw-HH
4	147-2290	1	Kit-Kickstand Spring Replacement	8:4	140-9333	1	Washer, Anti-Rotation
4:1	147-2285	1	Pin-Mount, Spring	9	112-6913	2	Screw-HHF
4:2	147-2286	2	Sleeve, Spring-Mount	10	322-9	2	Screw-HH
4:3	147-2268	1	Spring-Torsion, LH	11	3256-23	2	Washer-Plain
5	139-4326	2	Plug-Plastic	13	65-7900	2	Retainer-Spring
6	119-4041	3	Nut-HF	14	65-7910	2	Spacer
7	147-2273	1	Kickstand, 18 Inch	15	137-0292	1	Lower Handle ASM
8	140-9347	1	Frame ASM, 18"	15:2	138-1469	2	Bushing-Straight
8:1		1	Frame ASM, 18" ●	21	139-7431	1	Pin-Kickstand, Lock
8:1:2	95-0715	4	Pin-Dowel	22	73-3450	1	Spring-Compression
				23	32151-86	1	E-Ring

● Not serviced separately



## Drum Drive Assembly

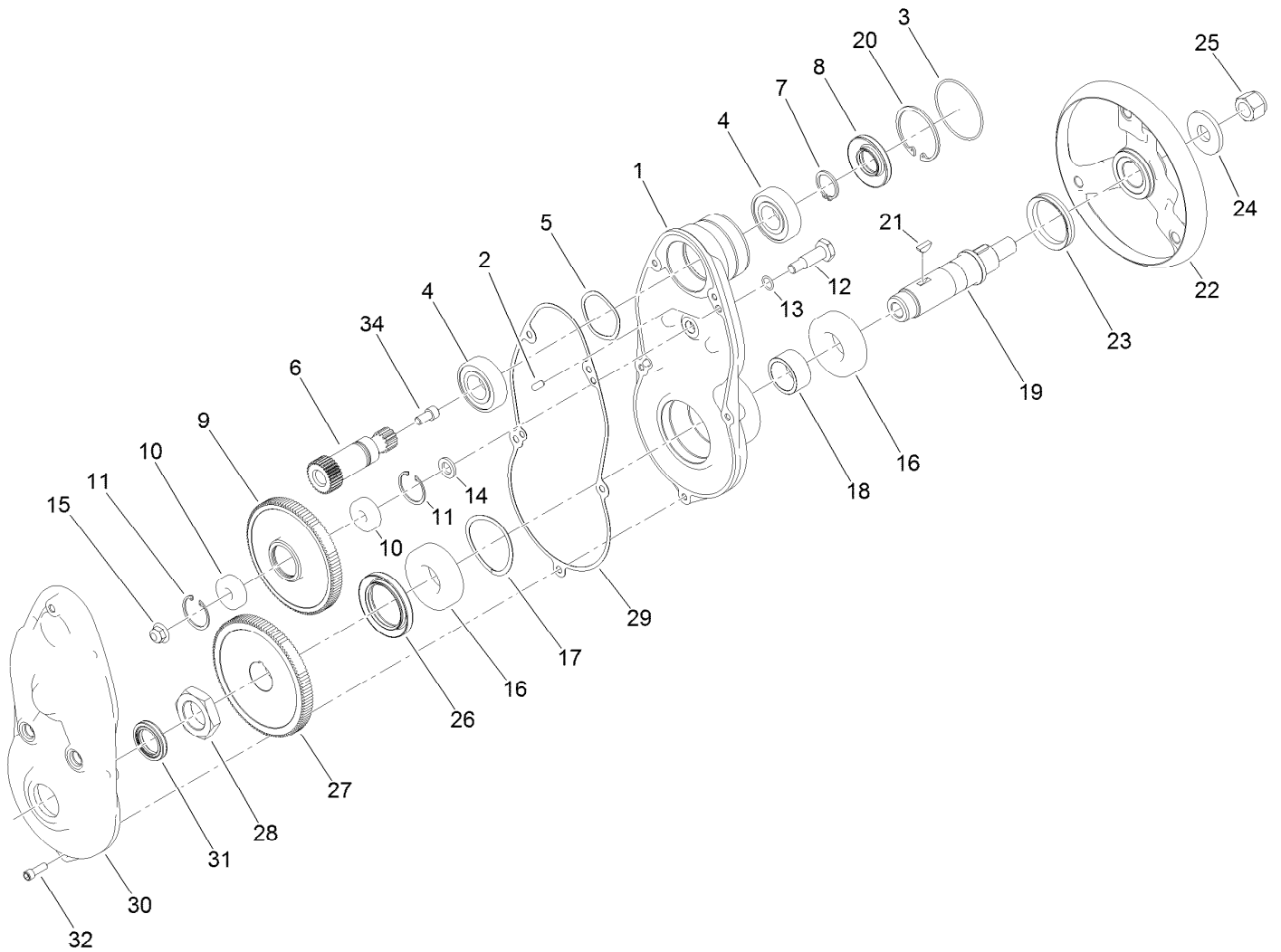
<i>Ref.</i>	<i>Part Number</i>	<i>Qty.</i>	<i>Description</i>	<i>Ref.</i>	<i>Part Number</i>	<i>Qty.</i>	<i>Description</i>
1	140-9329	1	Kit-Drum Drive Replacement	9	114-7728	8	Screw-HF
2	132-4607	14	Bolt-Shoulder, Flange	11	3296-33	1	Nut-Lock, NI
3	132-6971	1	Hub-Drum	12	65-6520	1	Spacer
4	132-4605	1	Shaft-Hex, RH	13	65-6530	1	Spacer
5	147-2257	2	Plate-Drum, Hub	14	94-5850	1	Spindle-Drum
6	139-4364	2	Drum-Traction, Flex	15	132-4606	1	Shaft-Hex, LH
7	251-82	2	Bearing-Ball	16	353-989	4	Plug-Hex, Hollow
8	253-159	2	Seal	16:1	237-42	1	O-Ring



## Drum Drive Replacement Kit Assembly No. 140-9329

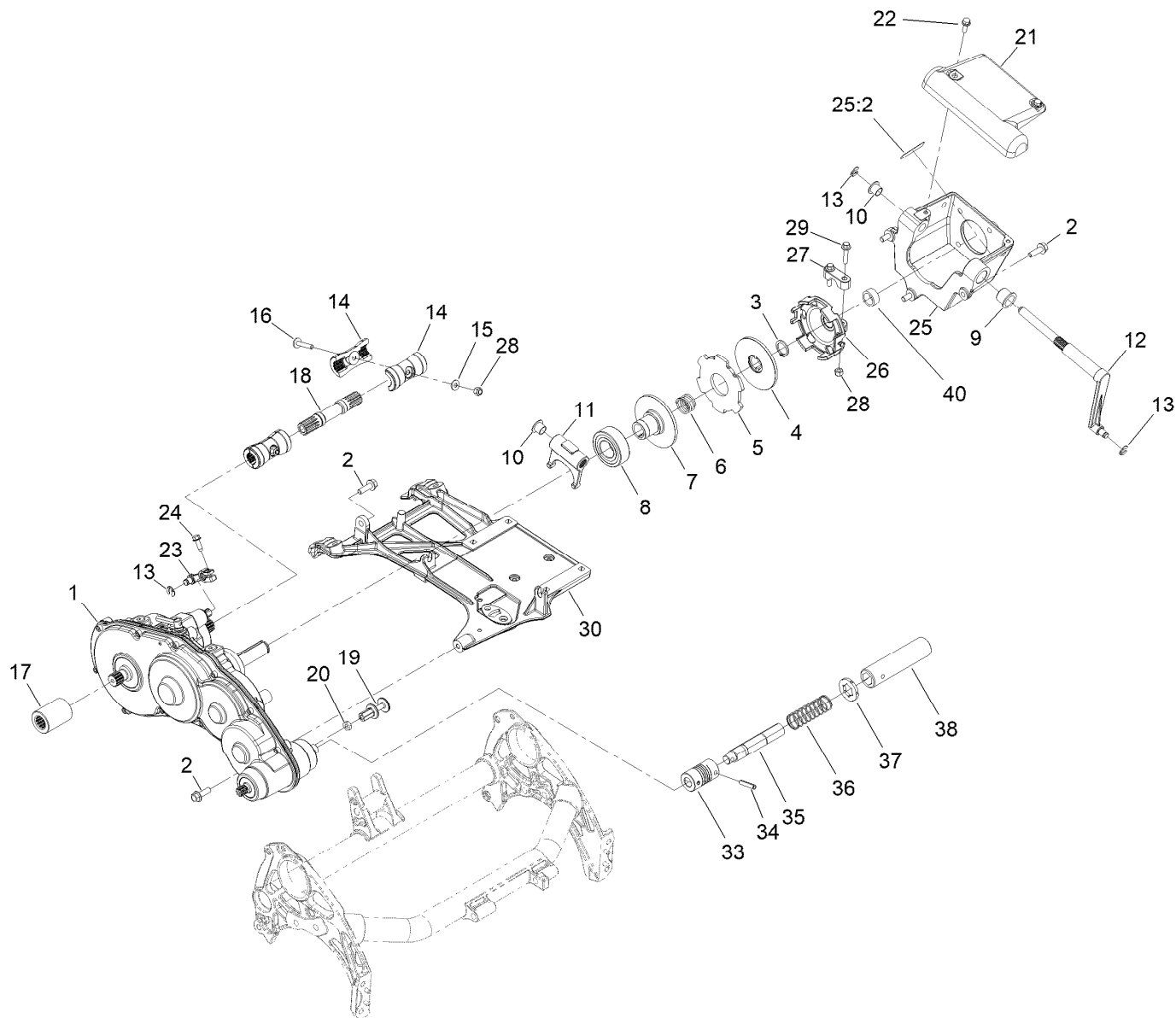
<i>Ref.</i>	<i>Part Number</i>	<i>Qty.</i>	<i>Description</i>
1		1	Drum Drive Gear Box ASM ●
2	353-989	2	Plug-Hex, Hollow
2:1	237-42	1	O-Ring

● Not serviced separately



## Drum Drive Gearbox Assembly

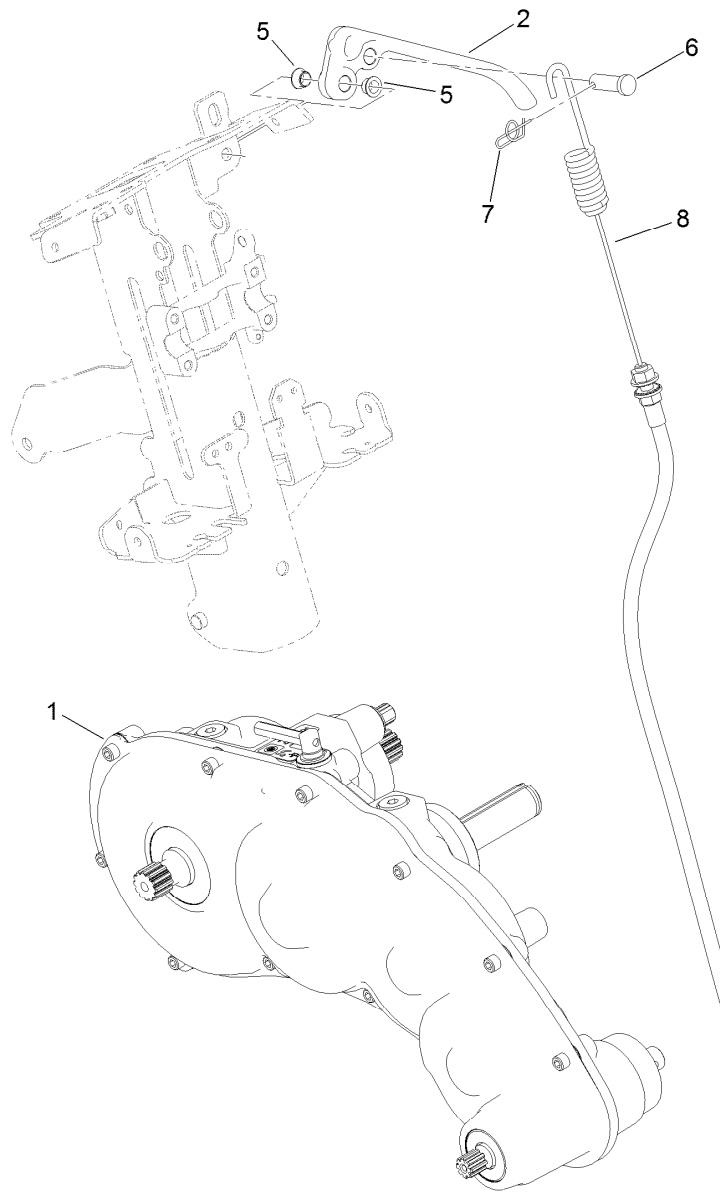
Ref.	Part Number	Qty.	Description	Ref.	Part Number	Qty.	Description
1	137-0282	1	Housing-Drive, Drum	17	115-5258	1	Spring-Wire, Flat
2	133-4591	2	Pin-Dowel	18	132-4568	1	Spacer
3	133-9082	1	O-Ring	19	133-4562	1	Shaft-Drum, Drive
4	251-82	2	Bearing-Ball	20	138-1480	1	Ring-Retaining, Int (52MM)
5	3290-485	1	Washer-Wave	21	138-1504	2	Key-Woodruff, 5MM
6	132-4565	1	Gear-Spur, 30T	22	133-9244	1	Hub-Drum, Outer
7	138-1507	1	Ring-Retaining, EXT (25MM)	23	253-161	1	Seal-V-Ring
8	138-1491	1	Seal-Oil	24	104-9216	1	Washer-Hardened
9	137-0274	1	Gear-Spur, 108T	25	126-3841	1	Nut-Hex, NI
10	49-2410	2	Bearing-Ball	26	138-1490	1	Seal-Oil
11	138-1506	2	Ring-Retaining, Int (32MM)	27	137-0275	1	Gear-Spur, 114T
12	133-4558	1	Pin-Bearing, Short	28	133-9078	1	Nut-Hex
13	80-8460	1	O-Ring	29	132-4569	1	Gasket-Drive, Drum
14	133-4553	1	Spacer-Bearing	30	137-0284	1	Cover-Drive, Drum
15	119-4042	1	Nut-HF, NI	31	133-4559	1	Seal-Oil
16	251-312	2	Bearing-Ball	32	140-9233	5	Screw-HSH
				34	3274-12	1	Screw-HSH



## Transmission Assembly

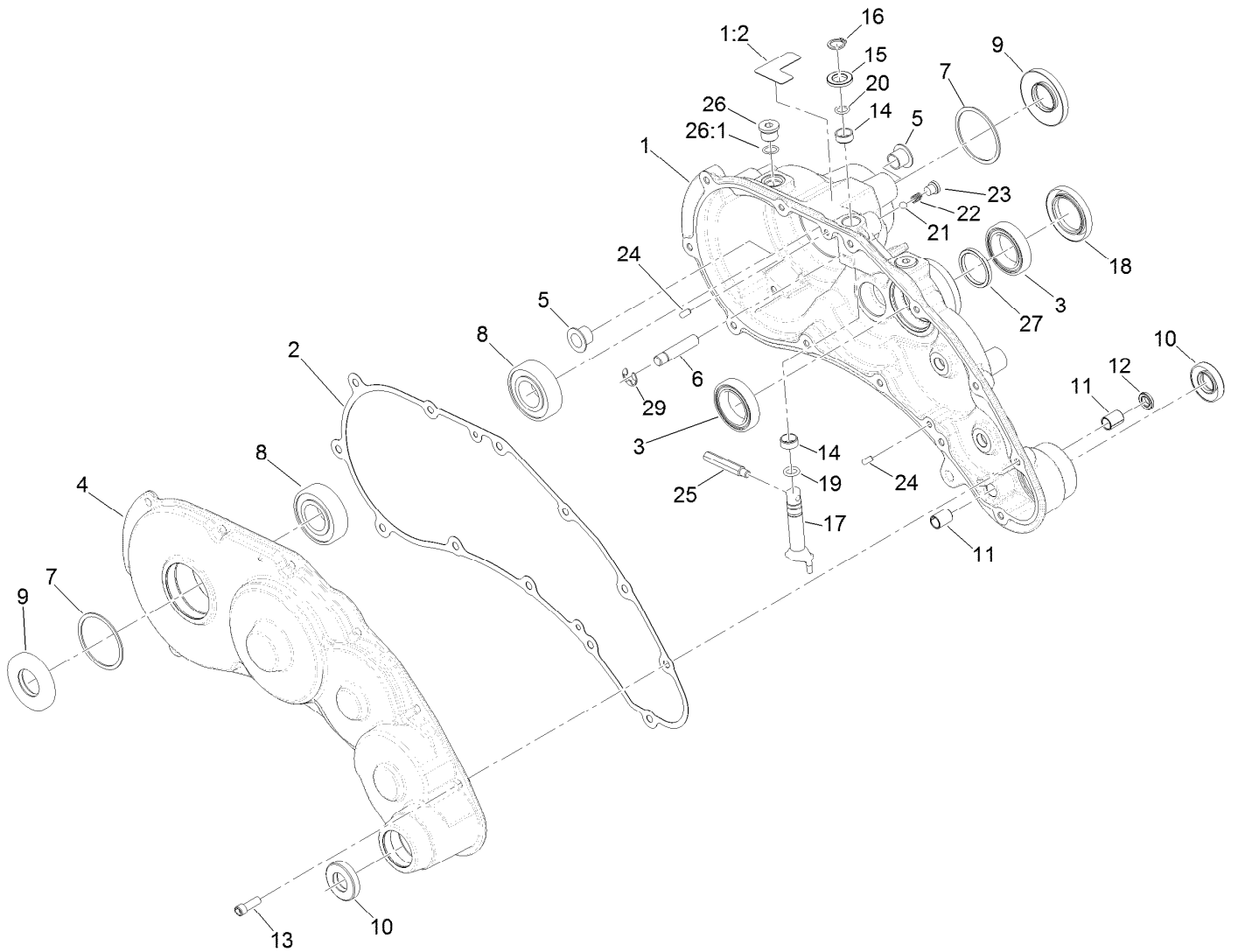
Ref.	Part Number	Qty.	Description	Ref.	Part Number	Qty.	Description
1	140-9324	1	Kit-Transmission Replacement	20	120-9638	1	Nut-Jam
2	115-5142	5	Screw-HHF	21	138-5545	1	Cover-Clutch
3	32151-33	1	Ring-Retaining, EXT	22	119-1138	2	Screw-HHF
4	133-9095	1	Disc-Clutch	23	133-9117	1	Lever-Brake, Cable
5	133-9094	1	Plate-Friction	24	131-6150	1	Screw-HWHTF
6	133-9123	1	Spring-Compression, Clutch	25	139-4301	1	Bell Housing ASM
7	138-1508	1	Disc-Clutch, Slider	25:2	120-9570	1	Decal-Warning
8	138-1505	1	Bearing-Sealed, Self Aligning	26	138-3542	1	Hub-Clutch, External
9	132-4089	1	Bushing	27	138-5522	1	Clamp-Hub, Clutch
10	125-5239	2	Bushing-Flange	28	3296-42	4	Nut-Lock, NI
11	138-3548	1	Fork-Clutch	29	127-8639	2	Screw-HHF
12	138-3549	1	Shaft-Fork	30	138-5517	1	Base-Engine
13	32151-47	3	Ring-Retaining	33	133-2341	1	Coupling-Helical
14	133-9100	4	Coupler-Splined, 4 Tooth	34	125-3542	2	Pin-Roll
15	119-8952	2	Washer	35	139-7399	1	Shaft-Coupler
16	126-8232	2	Screw-Truss Hex Skt	36	140-3407	1	Spring-Compression, Coupler
17	138-1615	1	Tube-Drive	37	139-7391	1	Collar-Lock
18	139-4327	1	Shaft-Drive, 18 Inch	38	110-2390	1	Tube-Hex
19	133-9207	1	Adapter-Slider	40	147-2265	1	Spacer-Clutch





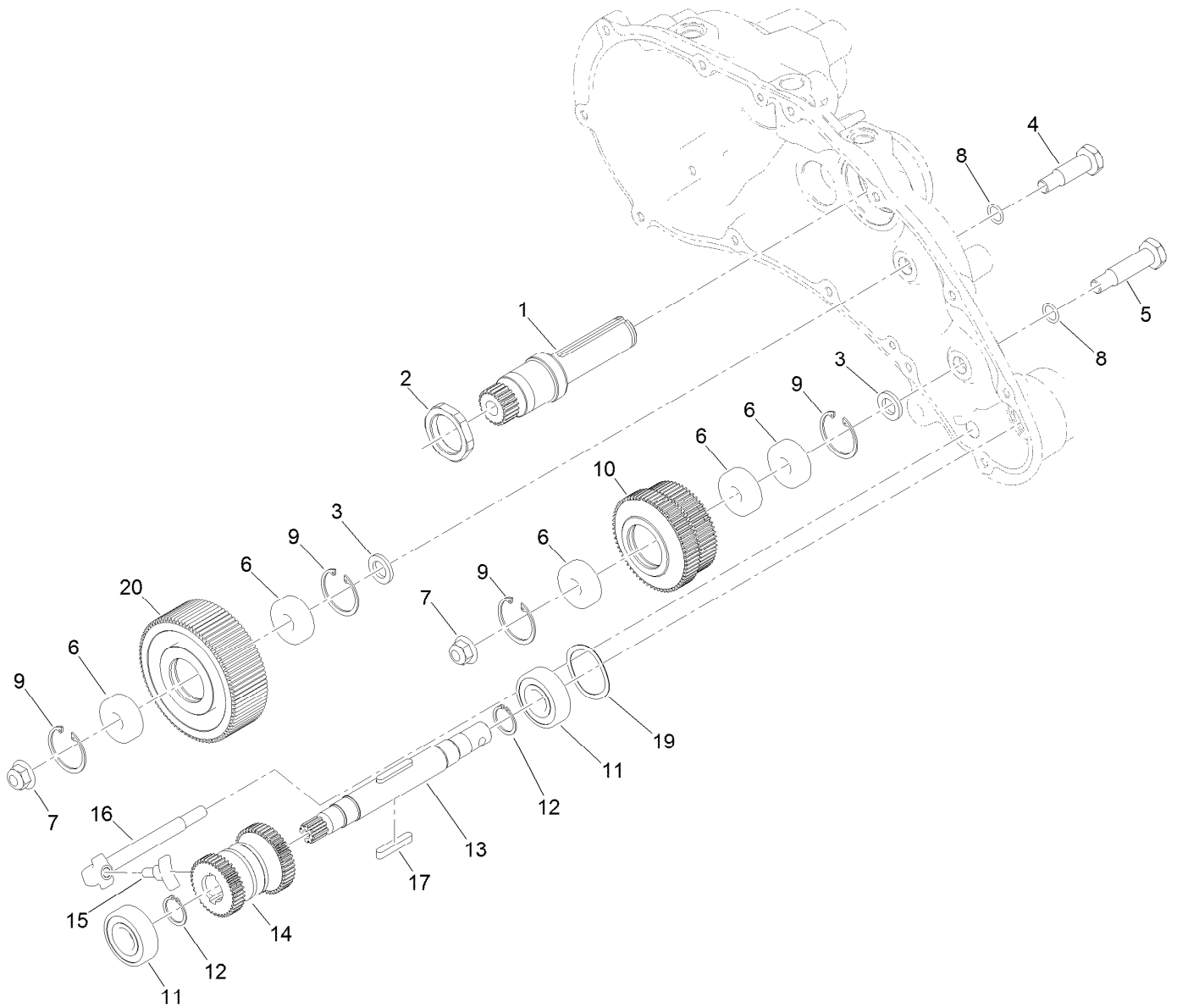
## Transmission Replacement Kit Assembly No. 140-9324

<i>Ref.</i>	<i>Part Number</i>	<i>Qty.</i>	<i>Description</i>
1	130-6820	1	Transmission Gear Box ASM
2	140-9298	1	Lever-Brake
5	138-5538	2	Bushing-Flange
6	1-808285	1	Pin-Clevis
7	140-9312	1	Pin-Cotter, Locking
8	140-9318	1	Cable ASM, Brake



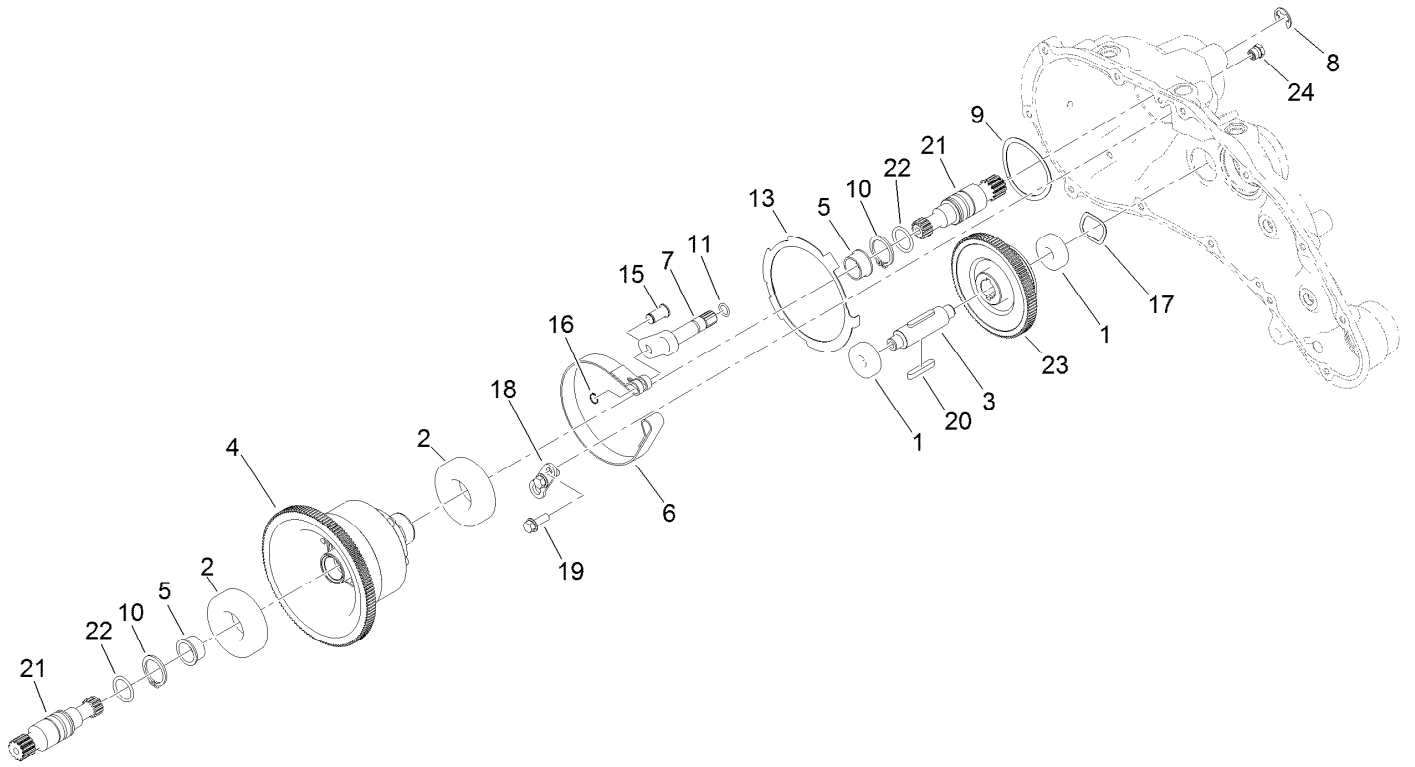
## Transmission Gearbox Assembly No. 140-9324 Transmission Case Assembly

<i>Ref.</i>	<i>Part Number</i>	<i>Qty.</i>	<i>Description</i>	<i>Ref.</i>	<i>Part Number</i>	<i>Qty.</i>	<i>Description</i>
1	139-4306	1	Transmission Housing ASM	15	108-5059	1	Spacer-Bushing
1:2	138-1644	1	Decal-Release, Traction	16	32151-61	1	Ring-Retaining
2	132-4551	1	Gasket-Transmission	17	130-6816	1	Shaft-Selector, Traction
3	121-9281	2	Bearing-Ball	18	140-9325	1	Seal-Grease, High Temp
4	138-1603	1	Transmission Cover ASM	19	131-1879	1	O-Ring Seal
5	125-5239	2	Bushing-Flange	20	237-22	1	O-Ring
6	133-9122	1	Pin-Mount, Brake	21	105-2442	1	Ball-Detent
7	32151-92	2	Ring-Retaining	22	105-2443	1	Spring-Detent
8	251-82	2	Bearing-Ball	23	131-1825	2	Plug-ORB
9	133-9075	2	Seal-Oil	24	121-9249	2	Pin-Dowel
10	130-9463	2	Seal-Oil	25	133-9149	1	Pin-Groomer
11	131-3038	2	Bushing-Sleeve	26	353-989	2	Plug-Hex, Hollow
12	131-3126	1	Seal-Oil	26:1	237-42	1	O-Ring
13	140-9233	12	Screw-HSH	27	138-1496	1	Spacer
14	121-4738	2	Bushing-Straight	29	105-7004	1	E-Ring



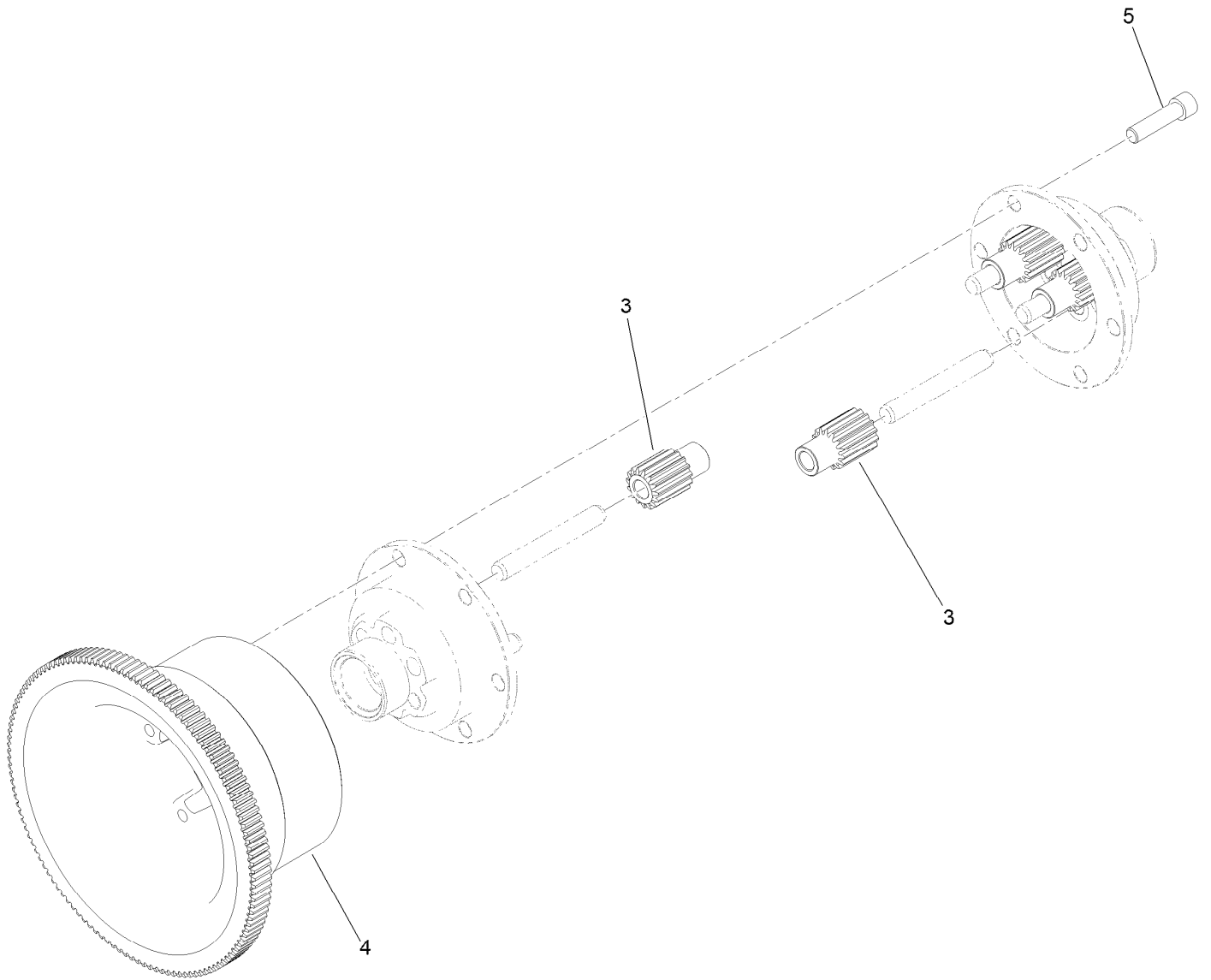
## Transmission Gearbox Assembly No. 140-9324 Reel Drive Assembly

<i>Ref.</i>	<i>Part Number</i>	<i>Qty.</i>	<i>Description</i>	<i>Ref.</i>	<i>Part Number</i>	<i>Qty.</i>	<i>Description</i>
1	138-1509	1	Shaft-Input, 22T	11	38-7820	2	Bearing-Ball
2	138-1495	1	Nut-Lock, Thin	12	138-1629	2	Ring-Retaining, EXT (17MM)
3	133-4553	2	Spacer-Bearing	13	139-4359	1	Shaft-Drive, Reel
4	133-4558	1	Pin-Bearing, Short	14	130-6834	1	Gear-Spur, Slider
5	133-4557	1	Pin-Bearing, Long	15	133-9120	1	Shoe-Clutch, Reel
6	49-2410	5	Bearing-Ball	16	133-9121	1	Actuator-Clutch, Reel
7	104-8301	2	Nut-HF, NI	17	103-2739	2	Key
8	80-8460	2	O-Ring	19	131-3170	1	Spring-Wave
9	138-1506	4	Ring-Retaining, Int (32MM)	20	137-0273	1	Gear-Spur, 85T
10	137-0272	1	Gear-Spur, 60T/65T				



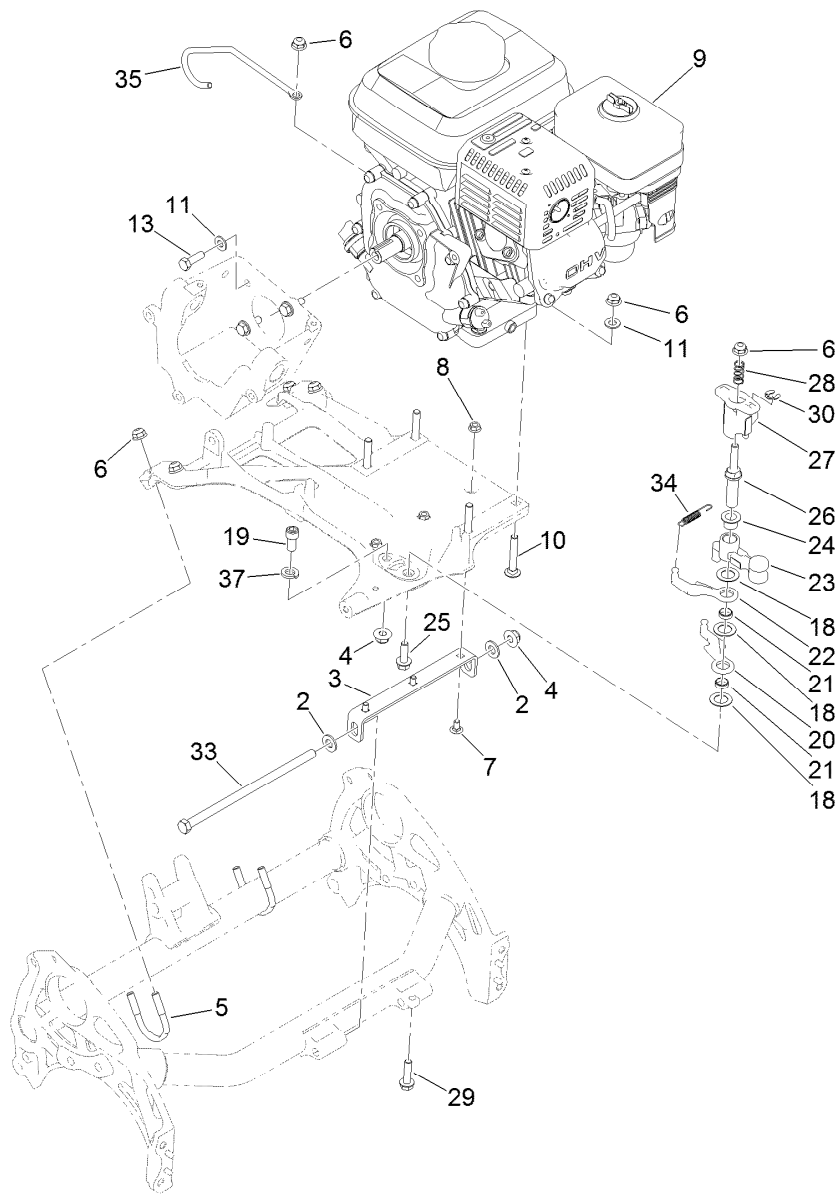
## Transmission Gearbox Assembly No. 140-9324 Traction Drive Assembly

<i>Ref.</i>	<i>Part Number</i>	<i>Qty.</i>	<i>Description</i>	<i>Ref.</i>	<i>Part Number</i>	<i>Qty.</i>	<i>Description</i>
1	49-2410	2	Bearing-Ball	13	140-9236	1	Plate-Retainer, Brake
2	251-312	2	Bearing-Ball	15	120-9687	1	Pin-Clevis, Brake
3	137-0236	1	Shaft-Slider, Neutral	16	32120-46	1	Ring-Retaining
4	132-4555	1	Differential ASM	17	112-5163	1	Washer-Wave
5	256-252	2	Bearing-Flange	18	140-9279	1	Plate-Retainer, Pin
6	140-9277	1	Band-Brake	19	119-1138	2	Screw-HHF
7	132-4550	1	Lever-Brake	20	103-2739	2	Key
8	32120-47	1	Ring-Retaining, External	21	130-6841	2	Shaft-Differential
9	115-5258	1	Spring-Wire, Flat	22	237-159	2	O-Ring
10	32151-36	2	Ring-Retaining	23	137-0276	1	Gear-Spur, Neutral (93T)
11	237-22	1	O-Ring	24	133-4589	1	Fitting-Plug



## Differential Assembly No. 132-4555

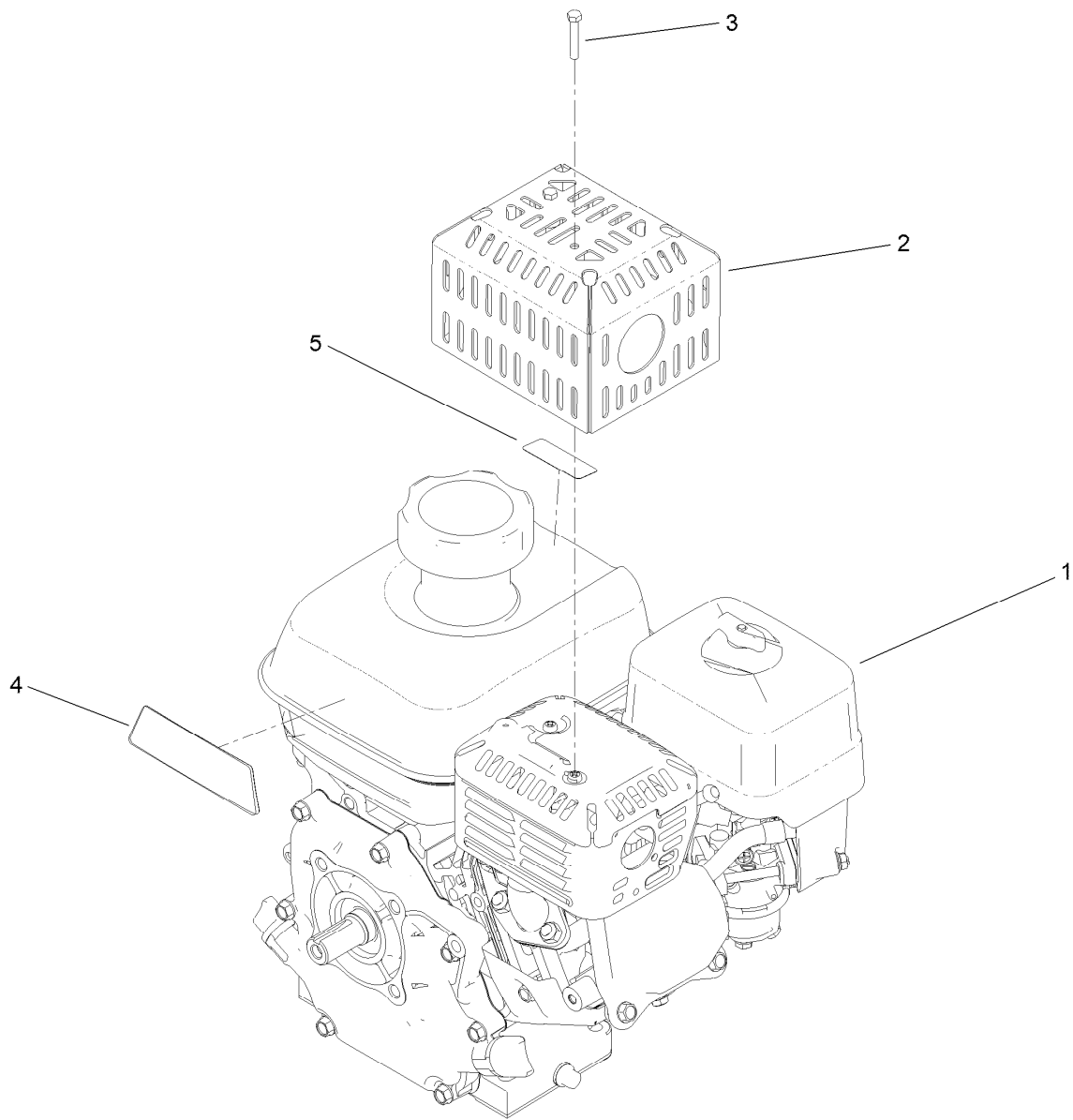
<i>Ref.</i>	<i>Part Number</i>	<i>Qty.</i>	<i>Description</i>
3	130-6840	6	Gear-Spur, Differential
4	137-0294	1	Gear-Differential, 127T
5	3274-26	6	Screw-HSH



## Engine Assembly

Ref.	Part Number	Qty.	Description	Ref.	Part Number	Qty.	Description
2	3256-24	2	Washer-Plain	21	133-9226	2	Bushing-Straight
3	138-1623-01	1	Bracket-Mount, Engine	22	138-1524	1	Lever-Reel
4	119-4042	2	Nut-HF, NI	23	133-9206	1	Bellcrank-Reel
5	137-0301	2	Clamp-Tube	24	125-5239	1	Bushing-Flange
6	119-4041	9	Nut-HF	25	115-5142	1	Screw-HHF
7	116-5611	3	Bolt-Carriage 1/4-20 X 1/2 Short Neck	26	137-0298	1	Shaft-Selector, Reel
8	32128-10	3	Nut-Lock, HHF	27	137-0299	1	Hub-Selector, Reel
9	147-2328	1	Engine ASM, Honda ●	28	117-1031	1	Spring-Compression
10	3230-6	4	Bolt-CARR	29	112-6913	1	Screw-HHF
11	3256-23	8	Washer-Plain	30	32151-47	1	Ring-Retaining
13	131-5919	4	Screw-HH, Patch	33	323-30	1	Screw-HH
18	139-7362	3	Washer-Poly	34	119-4609	1	Spring-Extension
19	131-8573	1	Screw-HSH	35	139-4309	1	Guide-Cable
20	138-1523	1	Reel Lever	37	3253-21	1	Washer-Lock

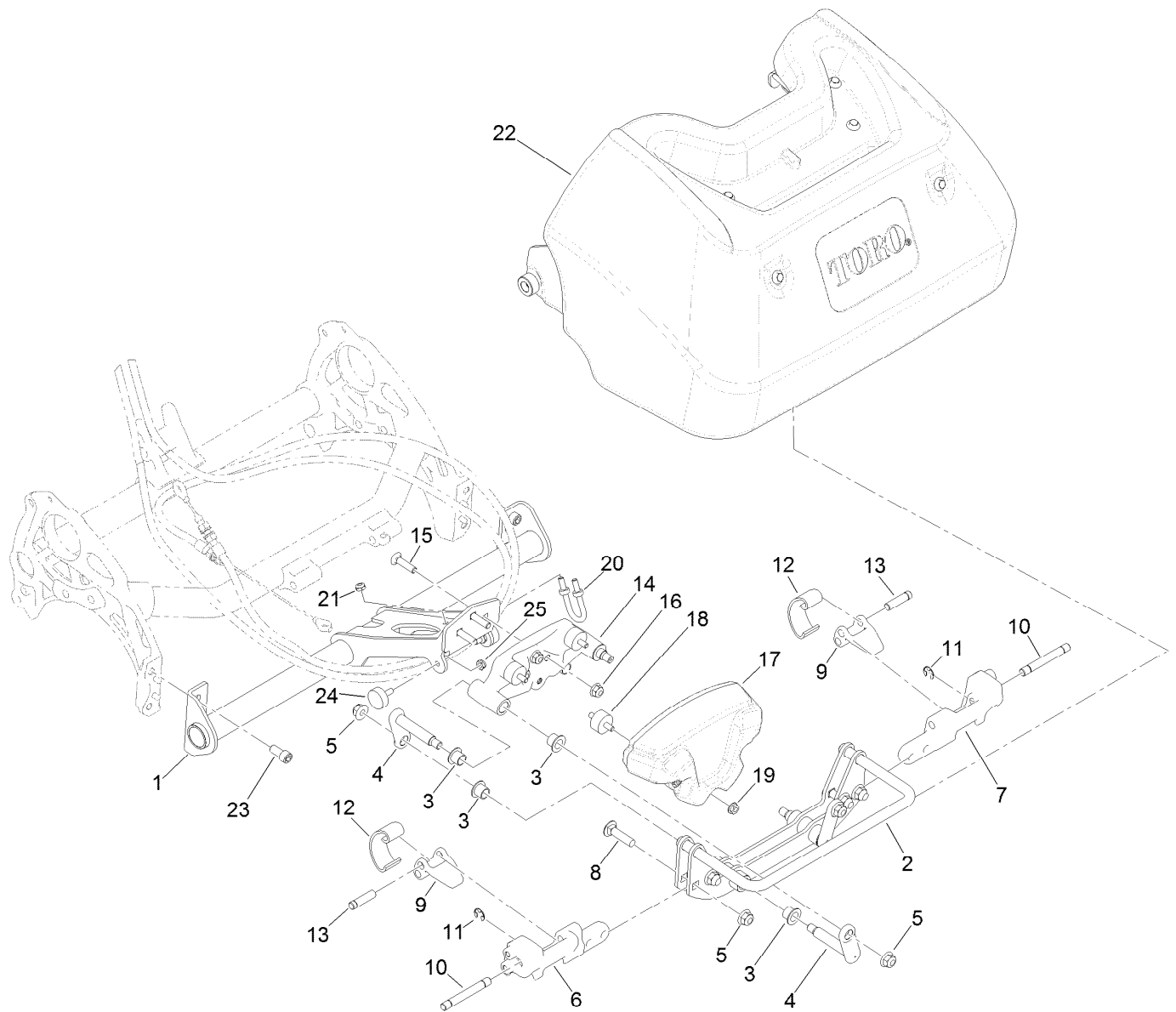
● Obtain parts from [www.honda-engines.com](http://www.honda-engines.com)



## Engine Assembly No. 147-2328

Ref.	Part Number	Qty.	Description
1		1	Engine ASM, Honda ●
2	138-2128-03	1	Guard-Muffler
3	87-5150	2	Screw-HH
4	138-2138	1	Decal-Warning, Engine
5	130-8322	1	Decal-Warning, Ethanol

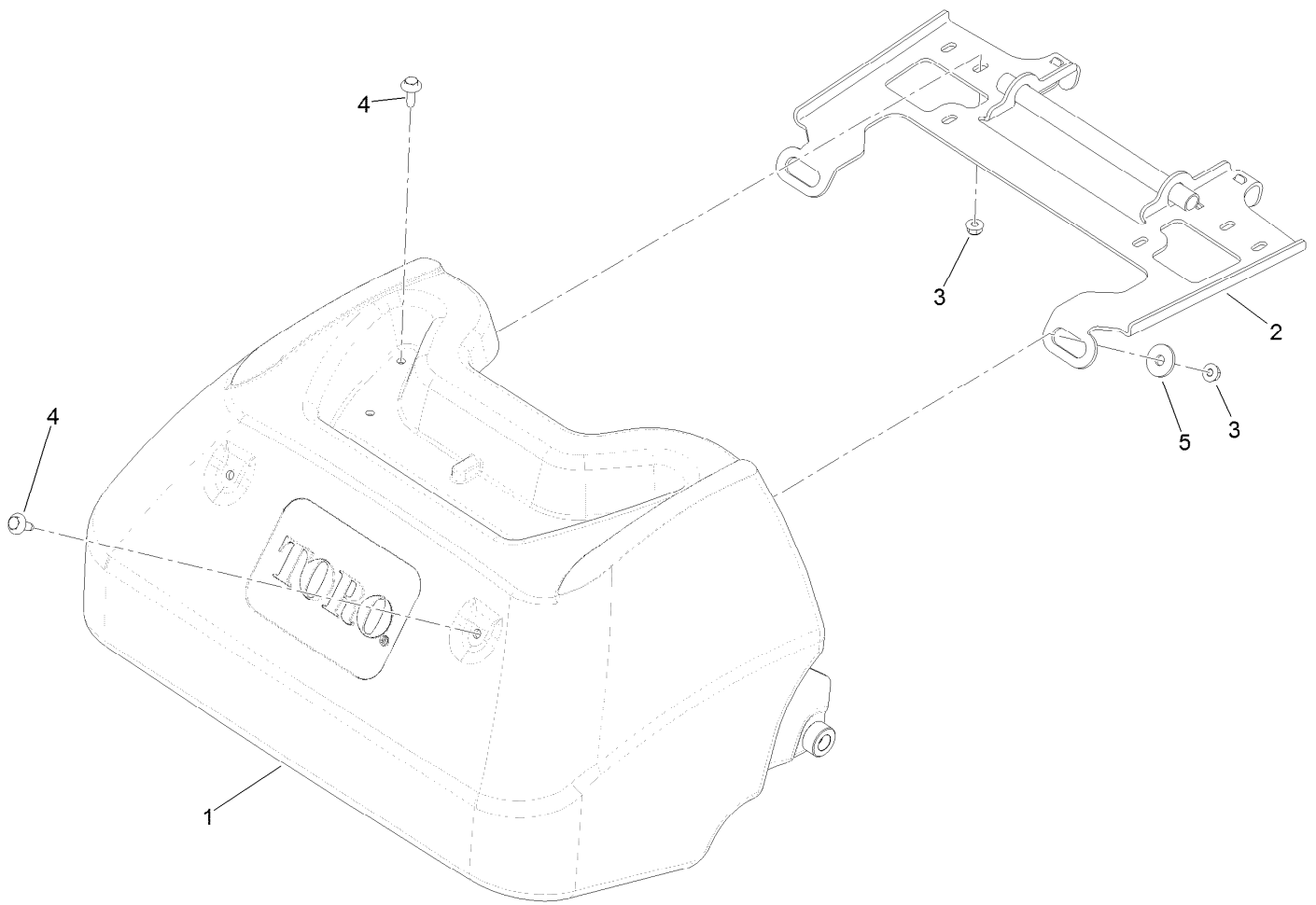
● Not serviced separately



## Frame Assembly

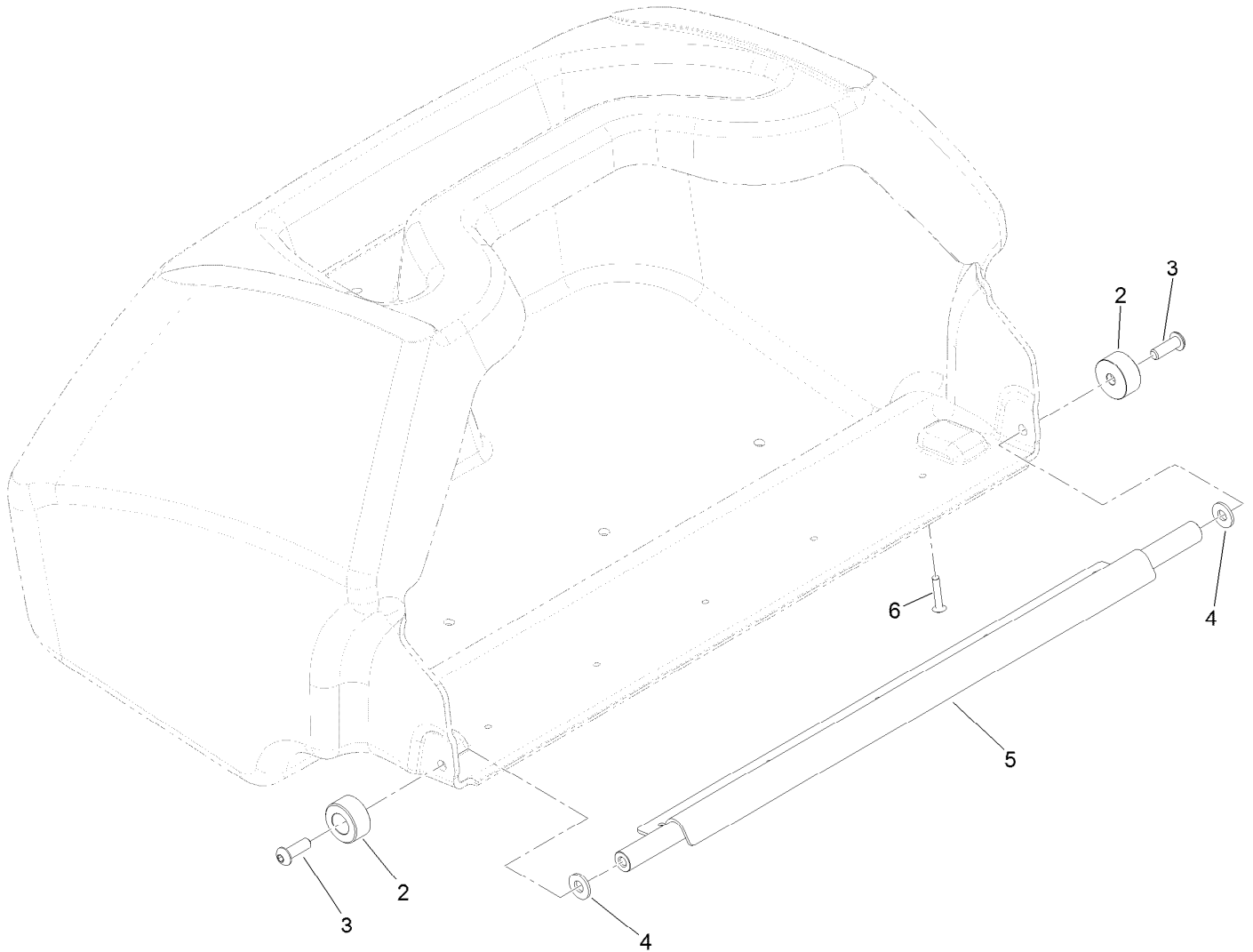
<i>Ref.</i>	<i>Part Number</i>	<i>Qty.</i>	<i>Description</i>	<i>Ref.</i>	<i>Part Number</i>	<i>Qty.</i>	<i>Description</i>
1	140-9253-01	1	Flex Frame, Welded [red]	13	114-8049	2	Pin-Pivot
2	139-7397-01	1	Roll Frame ASM, Welded [red]	14	139-7439	1	Frame-Link
3	125-5239	8	Bushing-Flange	15	99-6005	3	Bolt-Carriage
4	140-6437	4	Link Flex (Mach)	16	104-8300	3	Nut-HF, NI
5	104-8301	8	Nut-HF, NI	17	140-3399-01	1	Weight-Tmd [red]
6	139-7372	1	Hub-End, RH	18	140-3356	3	Isolator-Tmd
7	139-7374	1	Hub-End, LH	19	32128-14	3	Nut-HF
8	3231-4	4	Screw-CARR	20	01-170-0040	1	U-Bolt
9	114-8047	2	Lever	21	3296-56	2	Nut-Lock, NI
10	139-7380	2	Pin-Pivot, Latch	22	121-4710	1	Grass Basket ASM
11	32120-18	2	E-Ring	23	131-8573	4	Screw-HSH
12	114-8048	2	Spring	24	138-2662	2	Bumper-Rubber
				25	3296-56	2	Nut-Lock, NI





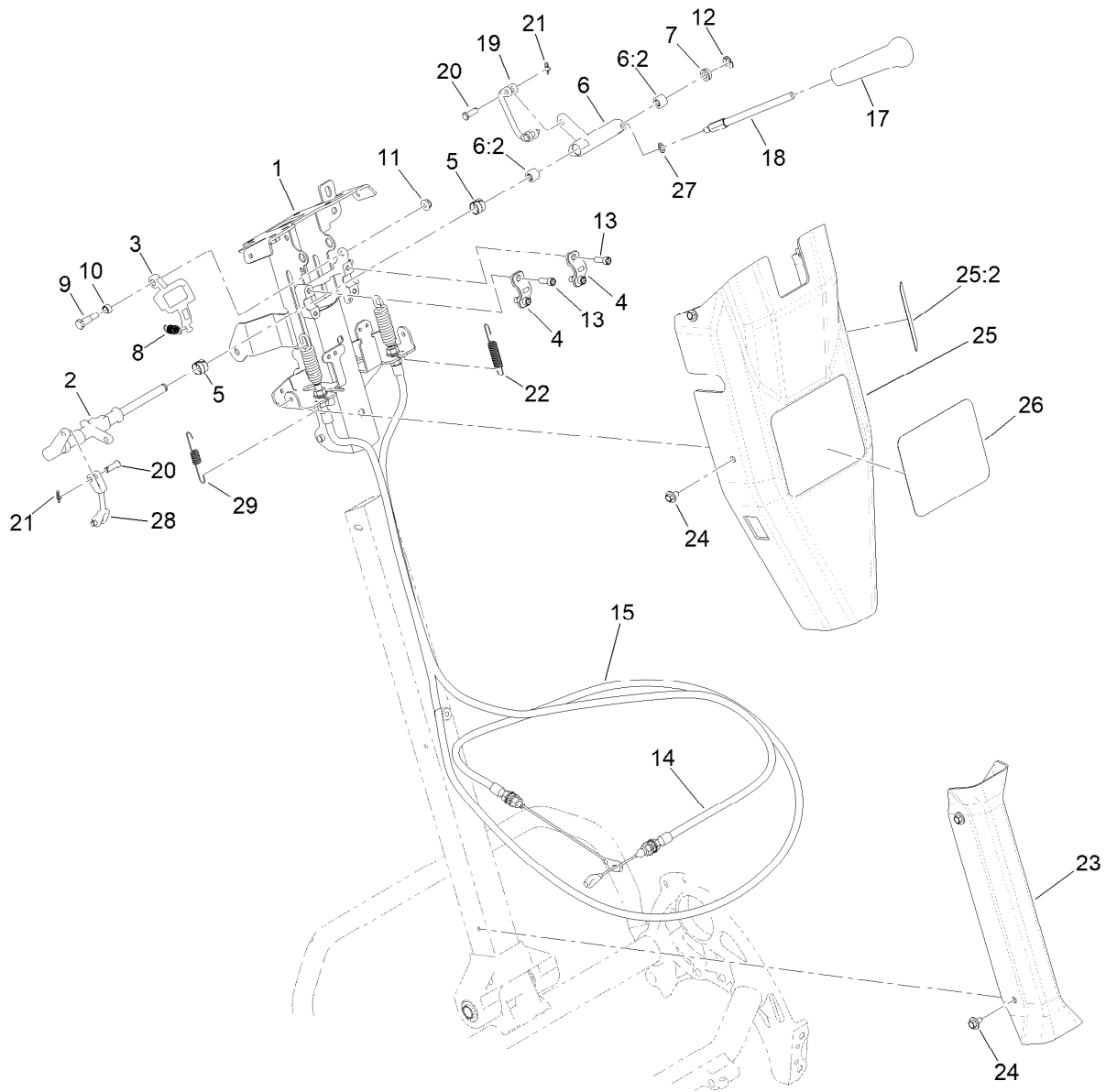
## Grass Basket Assembly No. 121-4710

<i>Ref.</i>	<i>Part Number</i>	<i>Qty.</i>	<i>Description</i>
1	130-6750	1	Basket ASM
2	133-8833-03	1	Bracket-Basket
3	119-4040	6	Nut-HF, NI
4	119-4012	6	Screw-HWHTF
5	1-603716	2	Washer-Friction



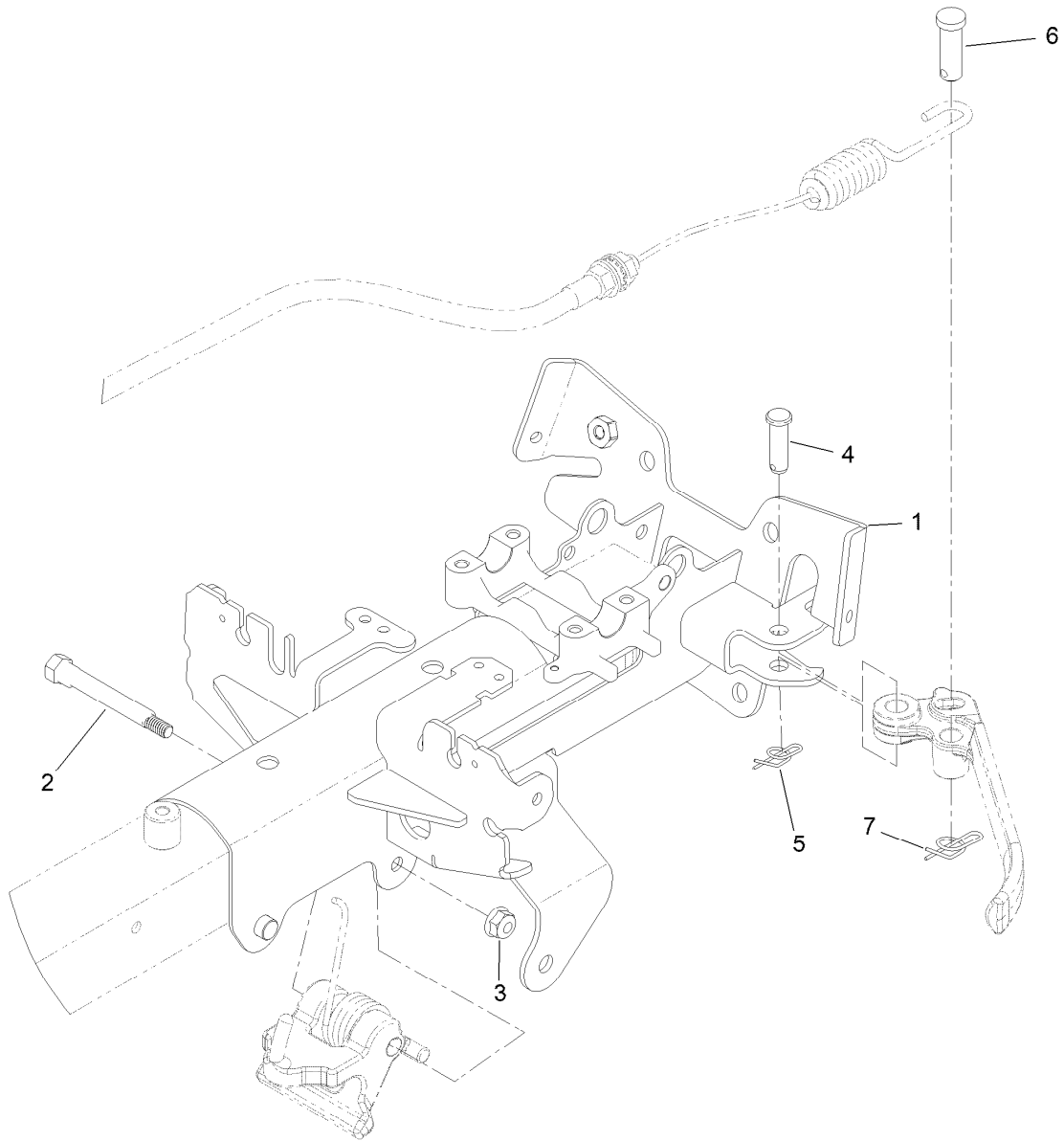
## Basket Assembly No. 130-6750

<i>Ref.</i>	<i>Part Number</i>	<i>Qty.</i>	<i>Description</i>
2	121-4730	2	Bumper-Basket
3	3274-69	2	Screw-HSBH
4	120-9679	2	Washer-Flat
5	130-6752	1	Channel
6	3290-382	5	Rivet-Pop



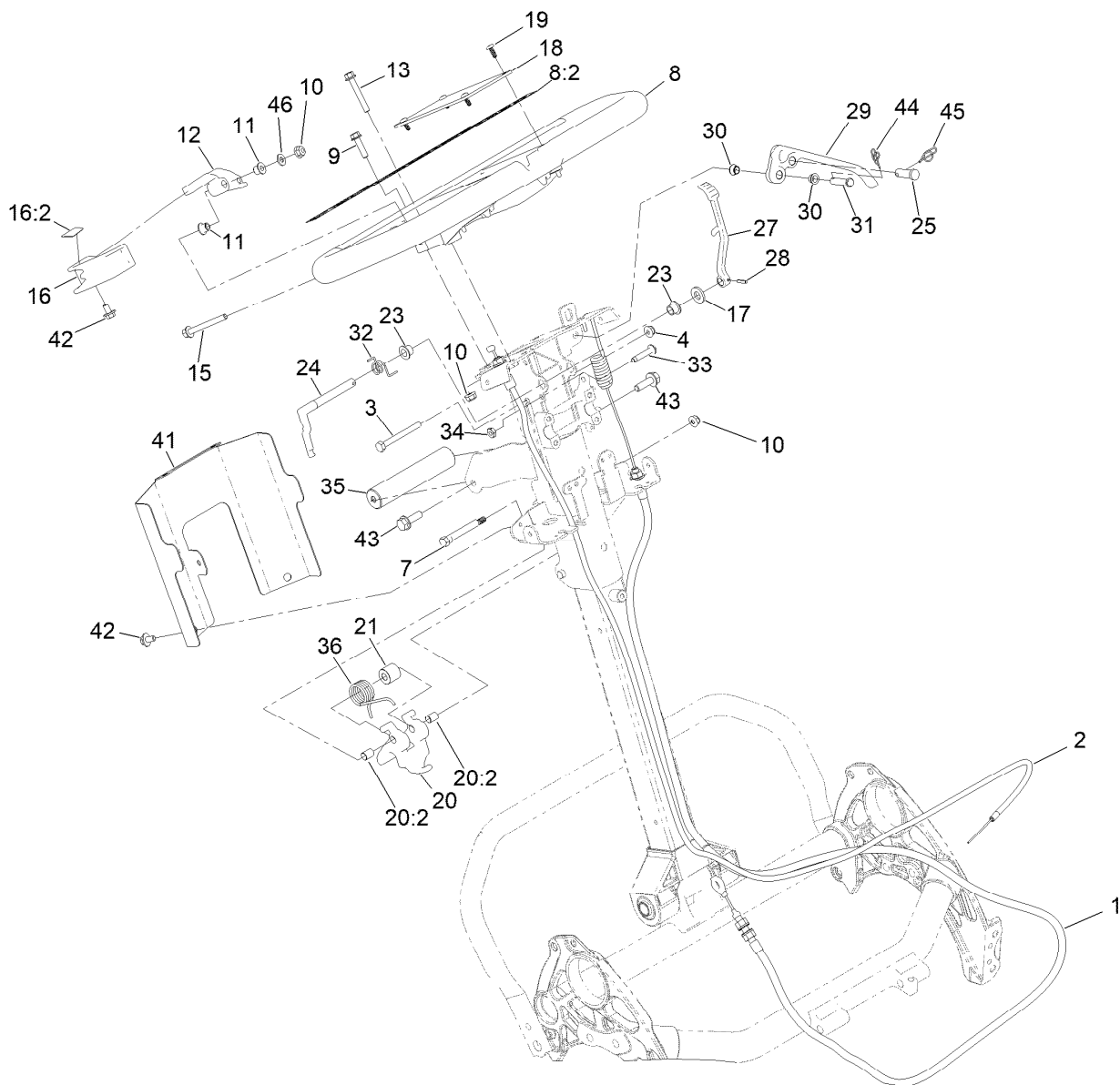
## Reel Controls and Covers Assembly

Ref.	Part Number	Qty.	Description	Ref.	Part Number	Qty.	Description
1	147-2288	1	Kit- Upper Receiver Replacement	17	104-9760	1	Knob-Black
2	140-9305	1	Shaft-Main, Controls	18	137-0190	1	Rod-Handle, Reel Lever
3	137-0266	1	Cam-Latch, Upper	19	137-0232	1	Connector-Clevis
4	138-1513	2	Clamp-Shaft, Control	20	1-808265	4	Pin-Clevis
5	137-0263	2	Bushing-Split	21	138-1587	2	Clip-Pin, Cotter
6	137-0312	1	Reel Lever ASM	22	138-1536	1	Spring-Extension
6:2	138-1637	2	Bearing-Needle	23	138-1479	1	Cover-Handle, Lower
7	131-3187	1	Seal-V-Ring	24	46-6810	8	Screw And Washer ASM
8	140-3410	1	Spring-Extension	25	139-4304	1	Control Upper Cover ASM
9	137-0313	1	Screw-Shoulder	25:2	138-1589	1	Decal-Reel Drive Engagement
10	137-0346	1	Spacer-Latch, Bail	26	140-3382	1	Decal-Greensmaster Flex 1018
11	104-7201	1	Nut-HF, NI	27	75-5470	1	Spacer-Bearing
12	32151-47	1	Ring-Retaining	28	138-1592	1	Connector-Clevis
13	140-9233	4	Screw-HSH	29	140-3417	1	Spring-Extension
14	137-0180	1	Cable-Clutch				
15	140-9330	1	Cable-Reel Engagement				



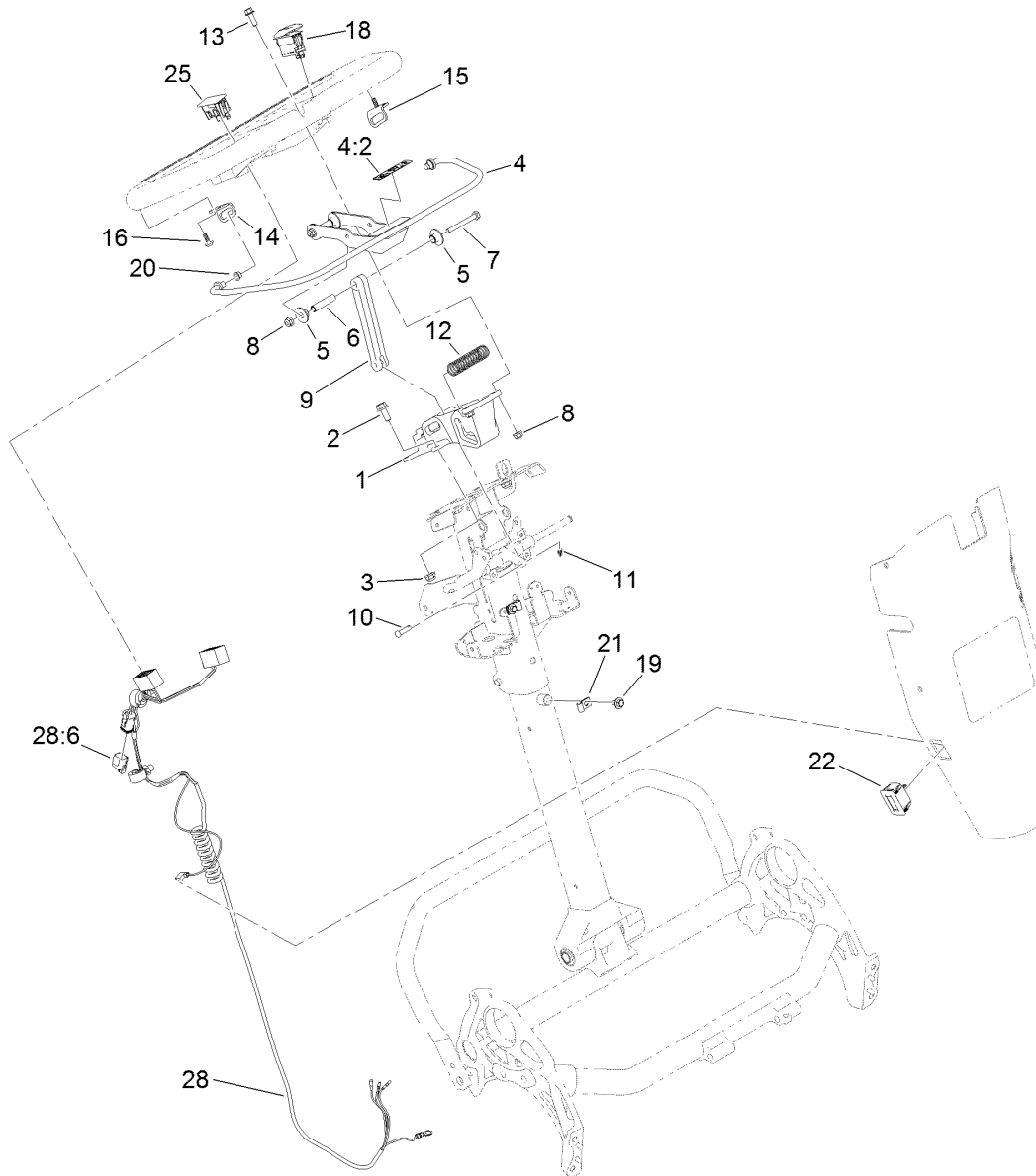
## Upper Receiver Assembly No. 147-2288

<i>Ref.</i>	<i>Part Number</i>	<i>Qty.</i>	<i>Description</i>
1	147-2284-0P	1	Upper Receiver, Welded
2	147-2269	1	Cam-Handle, Pivot
3	119-4040	1	Nut-HF, NI
4	283-61	1	Pin-Yoke
5	116-6639	1	Pin-Cotter, Locking
6	1-808285	1	Pin-Clevis
7	140-9312	1	Pin-Cotter, Locking



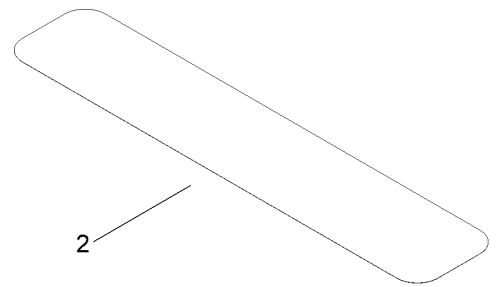
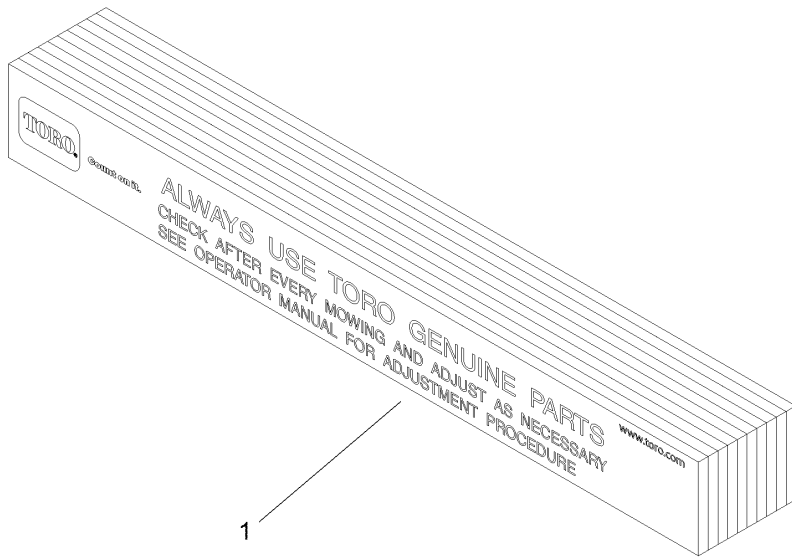
## Upper Handle Assembly

Ref.	Part Number	Qty.	Description	Ref.	Part Number	Qty.	Description
1	140-9318	1	Cable ASM, Brake	21	140-9335	1	Spacer-Spring
2	137-0182	1	Cable-Throttle	23	138-1514	2	Bushing-Flange
3	321-15	1	Screw-HH	24	138-1573	1	Latch-Brake
4	104-7201	1	Nut-HF, NI	25	1-808285	1	Pin-Clevis
7	147-2269	1	Cam-Handle, Pivot	27	140-3377	1	Lever-Lock, Brake
8	138-1645	1	Handle ASM	28	32121-73	1	Pin-Roll
8:2	138-5532	1	Decal-Warning, General	29	140-9298	1	Lever-Brake
9	120-4654	2	Screw-HHF	30	138-5538	2	Bushing-Flange
10	119-4040	4	Nut-HF, NI	31	283-6	1	Pin-Clevis
11	138-3538	2	Bushing-Flange	32	138-1518	1	Spring-Brake, Torsion
12	138-1636	1	Arm-Throttle	33	132-6777	1	Screw-Twh Thd Roll
13	138-5527	1	Screw-HHF	34	120-9695	1	Nut-Jam
15	140-9317	1	Screw-HHF, Lock	35	138-1535	1	Handle-Assist, Lift
16	139-4303	1	Throttle Lever ASM	36	140-9334	1	Spring-Handle, Torsion
16:2	138-5534	1	Decal-Throttle	41	138-5530-03	1	Cover-Bottom, Controls
17	100-4852	1	Washer-Hardened	42	46-6810	3	Screw And Washer ASM
18	138-5514	1	Plate-Notepad, Handle	43	115-5142	2	Screw-HHF
19	127-6843	4	Screw-Plastite, Torx Pan	44	116-6639	1	Pin-Cotter, Locking
20	137-0317	1	Handle Adjuster ASM	45	140-9312	1	Pin-Cotter, Locking
20:2	137-0308	2	Bushing-Igus	46	139-1323	1	Washer-Spcl



## Traction Bail Assembly

<i>Ref.</i>	<i>Part Number</i>	<i>Qty.</i>	<i>Description</i>	<i>Ref.</i>	<i>Part Number</i>	<i>Qty.</i>	<i>Description</i>
1	138-5524	1	Mount-Handle	13	120-9678	2	Screw-HHF
2	3234-47	2	Screw-HHF	14	138-3539	1	Bracket-Bail, RH
3	119-4041	2	Nut-HF	15	138-3540	1	Bracket-Bail, LH
4	139-4302	1	Clutch Bail ASM	16	138-5775	2	Screw-Delta Point
4:2	138-5533	1	Decal-Bail, Traction	18	122-1497	1	Switch-Rocker, On-None-Off
5	138-3466	4	Bushing-Flange	19	46-6810	2	Screw And Washer ASM
6	138-3465	2	Spacer-Tube	20	138-5538	2	Bushing-Flange
7	321-18	2	Screw-HH	21	2412-91	2	Clamp
8	119-4040	4	Nut-HF, NI	22	119-1347	1	Meter-Hour
9	138-5515	1	Link-Bail, Clutch	25	119-7791	1	Plug-Hole
10	353-322	1	Pin-Clevis	28	122-1416	1	Harness-Wire
11	138-1587	1	Clip-Pin, Cotter	28:6	32180-091	1	Cap-Dust, 2 Way
12	138-3468	1	Spring-Compression				



## Miscellaneous Parts Assembly

<i>Ref.</i>	<i>Part Number</i>	<i>Qty.</i>	<i>Description</i>
1	125-5610	1	Paper-Reel, Toro (10 Pack)
2	140-5531	1	Shim-Toro Reel (.002In)

# Attachments and Accessories

## For 04850 Greensmaster Flex 1018 Traction Unit

Product Name	Model/Part
Narrow Wiehle Roller Kit, Greensmaster Flex 1018 Traction Unit .....	04026
Wheel Kit .....	04123
Light Kit (2019+) .....	04135
Push Broom Kit, Walk Greensmower (2019+) .....	04136
CU Light Kit Mount.....	04138
Trans Pro 80 Tow-Behind Trailer.....	04238
Flat Ramp .....	04245
Rail Ramp Kit (Update).....	04247
18in Soft Grooming Brush.....	04268
18in Stiff Grooming Brush.....	04269
Turf Evaluator .....	04399
Universal Groomer Drive Kit .....	04648
18in Twin Tip Groomer Reel .....	04801
Full Front Roller Asm (18 Inch) .....	04814
14-Blade 18in Flex ES CU .....	04854
Bedbar .....	110-2281-01
Bedbar-Aggressive .....	110-2281-0P
Bedknife-Microcut, Extended.....	110-2300
Bedknife-Low Cut .....	110-2301
18in Rail Conversion Kit.....	110-7345
Roller Extension Kit .....	115-7361
Bedknife-EDGEMAX, Microcut.....	117-1530
Bedknife-EDGEMAX, Tournament .....	117-1532
High Height-of-Cut Arms (Qty 1).....	120-9600
Rear Roller Adjustment (Qty 1).....	120-9602
Front Scraper Kit for Narrow Wiehle Roller .....	120-9615
Front Scraper Kit for Wide Wiehle Roller.....	120-9616
Front Scraper Kit for Full Roller.....	120-9617
Front Brush Kit for Narrow Wiehle Roller .....	120-9621
Front Brush Kit for Wide Wiehle Roller.....	120-9622
Front Brush Kit for Full Roller .....	120-9623
Rear Roller Scraper Kit with Roller.....	120-9627
MVP Kit-Cutting Unit Re-Build .....	121-2637
Steel Rear Roller ASM.....	121-4682
Premium Engine Oil 10w30 (55 Gallon Drum) .....	121-6392
Premium Engine Oil 10w30 (5 Gallon Pail) .....	121-6393
Toro Reel Paper (10 Pack).....	125-5610
18in Soft Grooming Brush Kit.....	127-1545
18in Stiff Grooming Brush Kit.....	127-1546
Angle Indicator.....	131-6828
Angle Indicator Mount.....	131-6829
Grease-Synthetic.....	136-8595
Rail Ramp Kit TP100 .....	138-5011
Bedknife-EDGEMAX, Microcut Short .....	139-4318
Bedknife-EDGEMAX, Tournament Short .....	139-4319
Access Backlap Kit .....	139-4342



## Attachments and Accessories (continued)

Wireless Hour Meter Kit.....	139-4369
Rod Replacement Kit, Greensmaster 1018 Series Traction Unit with Trans Pro 100 Tow-Behind Trailer .....	139-6470
Retention Straps Kit.....	139-6477
Roller ASM, Wide Wiehle.....	140-3441
Shim-TORO Reel (.002in) .....	140-5531
Blade-GR Groomer, Twin Tip (0.032in).....	140-5580
Blade-GR Groomer, Helix (0.028in).....	140-5581
Blade-GR Groomer, Helix (0.015" in).....	140-5582
Roller ASM, Extended Wiehle.....	140-9214
Rear Roller ASM, 18 Inch .....	140-9258
Kit-flex Roller Bracket, Tp80 .....	147-2291
Height-of-Cut Bar.....	94-9010
Bedknife-Tournament .....	98-7260
Bedknife-Microcut.....	98-7261

**Notes:**

**Notes:**



**Count on it.**