



Count on it.

Parts Catalog

**Direct Drive Power Box Rake
Compact Utility Loaders**

Model No. 22426—Serial No. 316000001 and Up



Ordering Replacement Parts

To order replacement parts, please supply the part number, the quantity, and the description of each part desired.

Understanding Reference Numbers

Each identified part in an illustration has a reference number. The reference number for a part also appears in the parts list, along with other information about the part.

This catalog uses two special reference number formats, one to indicate parts in a service assembly and another to indicate the quantity of a given part in an illustration.

Service Assembly Reference Numbers

Parts in service assemblies have reference numbers in the form a:b. The a represents the reference number of the entire service assembly and the b represents a sequential number unique to each part within the service assembly.

For example, a wheel assembly might be identified by reference number 6, the tire by 6:1, the valve by 6:2, and the wheel by 6:3. When you order the assembly identified by reference number 6, you receive all parts identified by reference numbers 6:1, 6:2, and 6:3. However, you may also order any part individually. Reference numbers of this type appear in illustration and in parts lists.

Reference Numbers Indicating Quantity

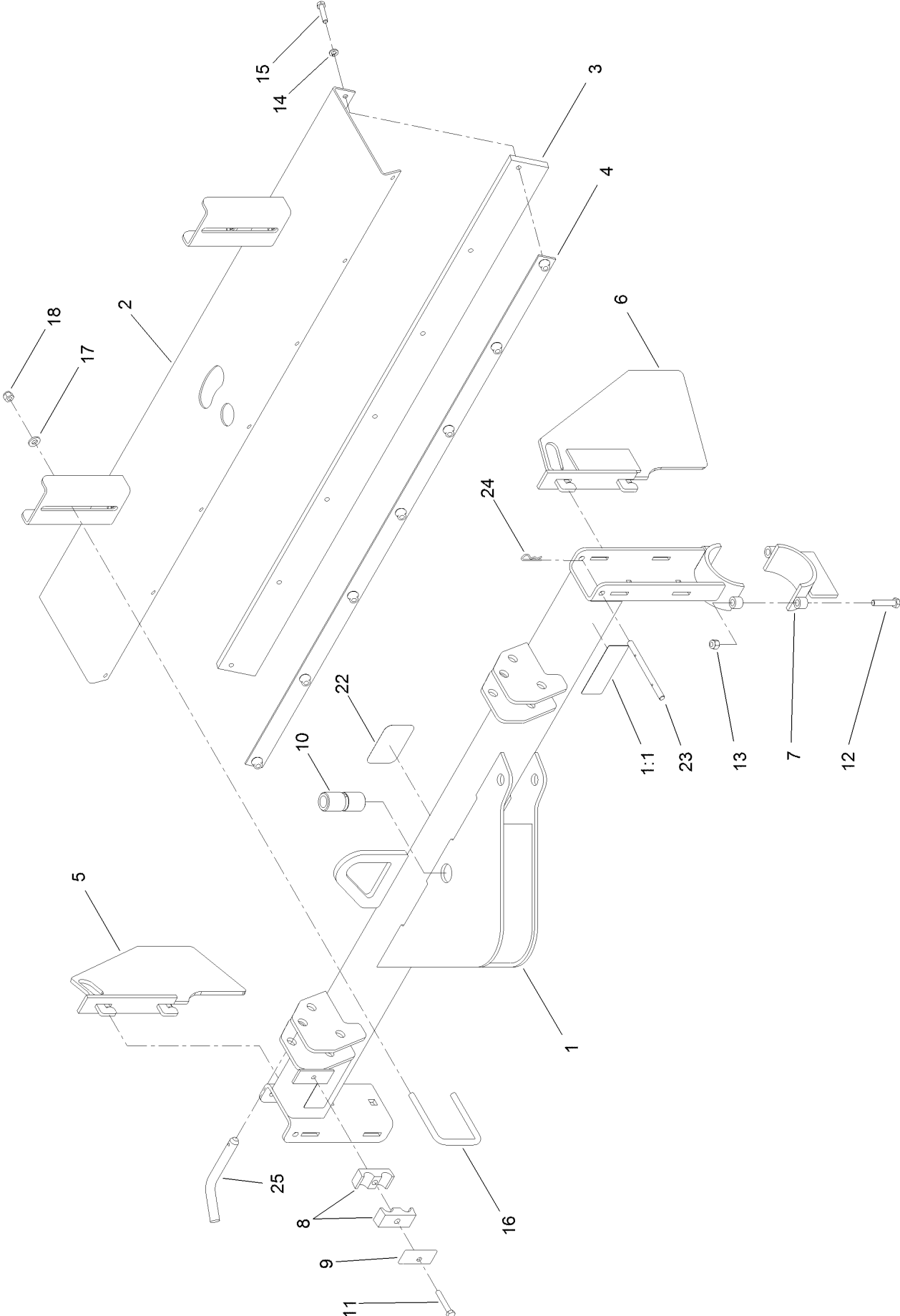
In an illustration, if a reference number indicates more than one part, the reference number has the form nX y. The n represents the quantity of the part, the X is the multiplication symbol, and the y represents the reference number.

For example, in an illustration, the reference number 2X 37 means that two of the parts identified by reference number 37 are indicated.

Contents

- Main Frame Assembly 4
- Tooth Roller and Drive Bearing Assembly 6
- Hydraulic Motor Assembly 8
- Caster Wheel Assembly 10
- Attachment Mount Assembly 12

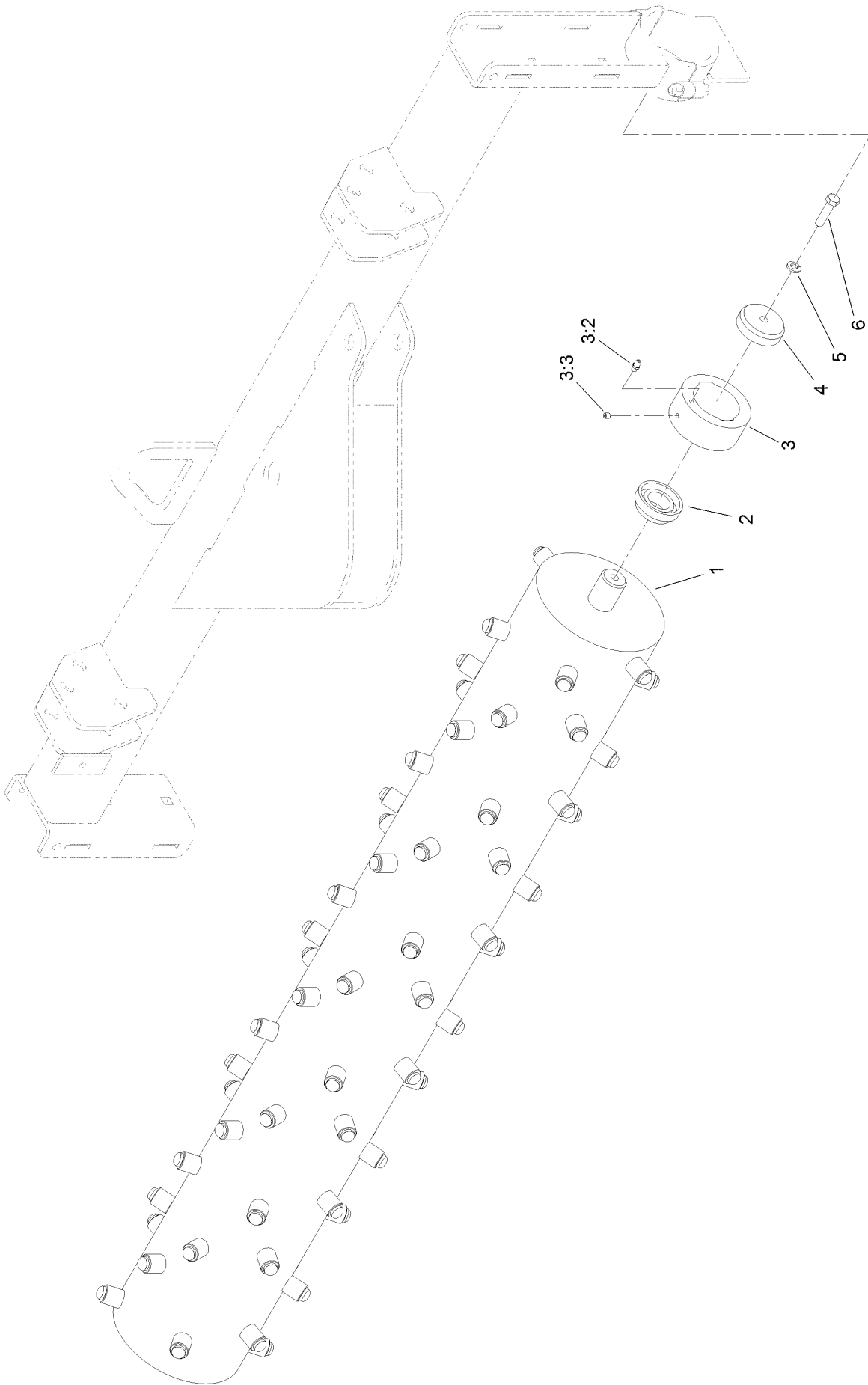
Main Frame Assembly



Main Frame Assembly (continued)

<i>Ref.</i>	<i>Part Number</i>	<i>Qty.</i>	<i>Description</i>	<i>Ref.</i>	<i>Part Number</i>	<i>Qty.</i>	<i>Description</i>
1	133-0211	1	Main Frame,Rake	12	323-52	2	Screw-HH
1:1	93-7321	4	Decal-Danger	13	112-0236	2	Nut-Lock
2	130-2752	1	Mount-Barrier	14	3253-4	14	Washer-Lock
3	130-2753	2	Barrier-Rake	15	5-1470	14	Screw-HH
4	130-2754	2	Barrier-Strap	16	130-2780	2	U-Bolt
5	133-0212	1	Bracket-Gate, LH	17	100-4852	4	Washer-Hardened
6	133-0213	1	Bracket-Gate, RH	18	3296-39	4	Nut-Lock, NI
7	130-2757	1	Cap-Leg, Frame	22	70-2200	1	Decal
8	130-2758	2	Clamp-Hose	23	130-2779	2	Pin-Gate
9	130-2759	1	Plate-Cover	24	120-9717	4	Pin-Hair
10	130-2760	1	Bushing-Pivot	25	130-2781	2	Pin-Hitch
11	112-3305	1	Screw-HH				

Tooth Roller and Drive Bearing Assembly

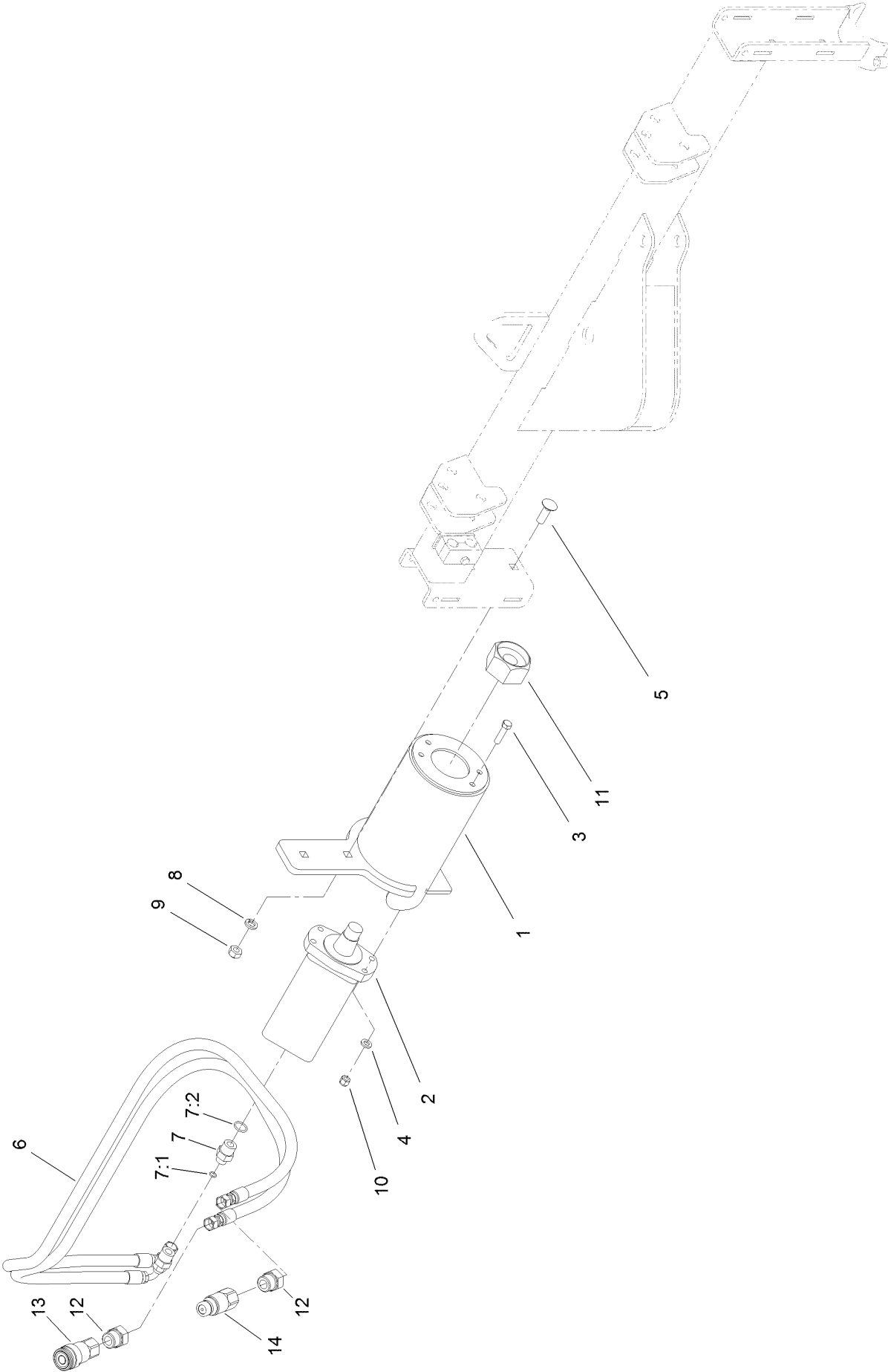


Tooth Roller and Drive Bearing Assembly (continued)

<i>Ref.</i>	<i>Part Number</i>	<i>Qty.</i>	<i>Description</i>
1	130-2761	1	Roller-Tooth
2	130-2762	1	Bearing-Collar
3	130-2764	1	Drive Bearing ASM
3:2	3245-35	1	Screw-Set, HSH

<i>Ref.</i>	<i>Part Number</i>	<i>Qty.</i>	<i>Description</i>
3:3	302-5	1	Fitting-Grease
4	130-2763	1	Bearing-Cap
5	3253-21	1	Washer-Lock
6	3211-41	1	Screw-HH

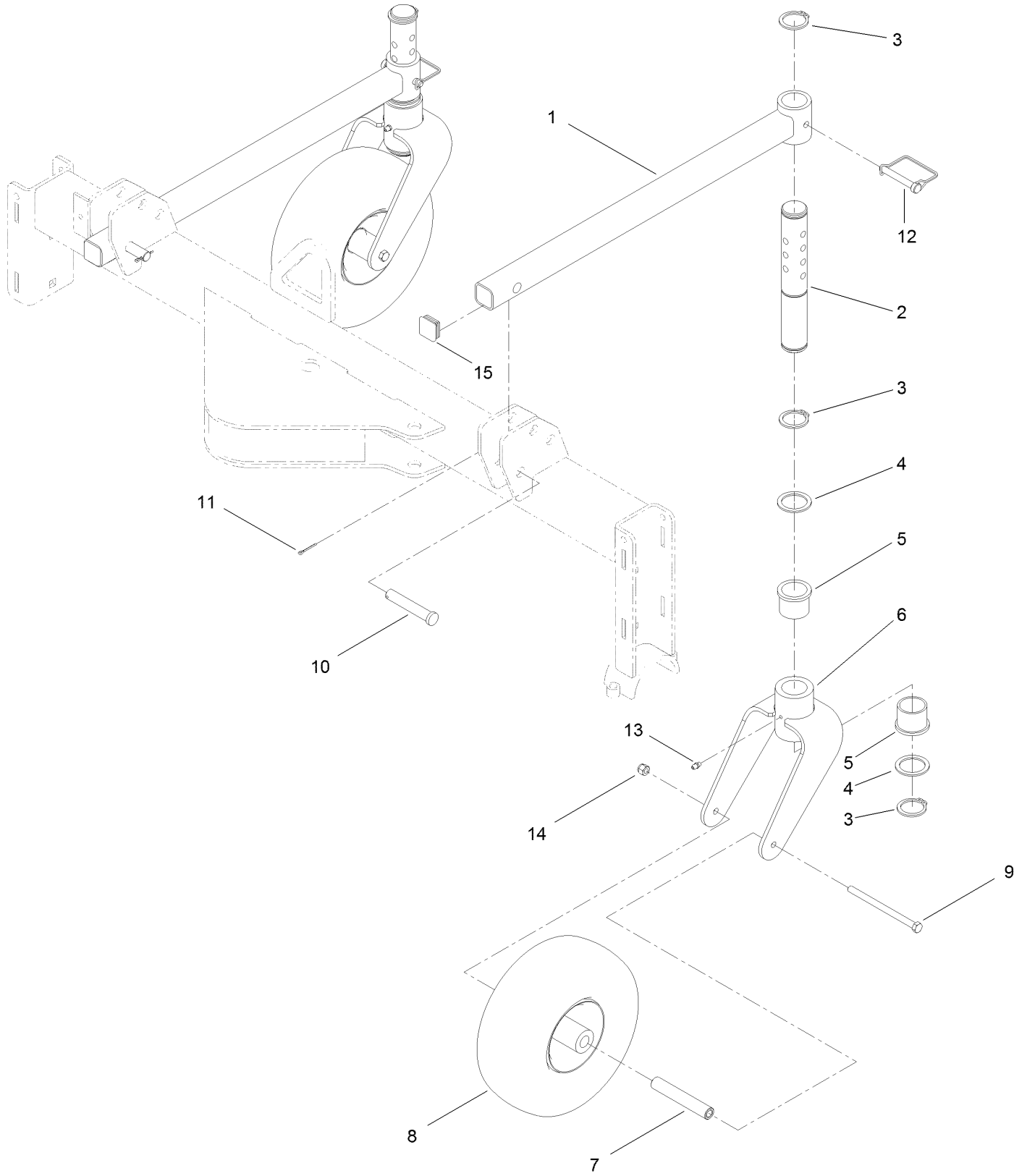
Hydraulic Motor Assembly



Hydraulic Motor Assembly (continued)

<i>Ref.</i>	<i>Part Number</i>	<i>Qty.</i>	<i>Description</i>	<i>Ref.</i>	<i>Part Number</i>	<i>Qty.</i>	<i>Description</i>
1	130-2765	1	Housing-Motor	7:2	237-80	1	O-Ring
2	130-2766	1	Hydraulic Motor ASM	8	3253-7	2	Washer-Lock
3	323-43	4	Screw-HH	9	97-1206	2	Locknut
4	107-1413	4	Washer-Hardened	10	112-0236	4	Nut-Lock
5	3233-2	2	Screw-CARR	11	130-2782	1	Hub-Hex
6	130-2775	2	Hose-HYD	12	130-2784	2	Fitting Adapter
7	340-141	2	Fitting-STR	13	96-1275	1	Coupler-Face, Flush
7:1	237-22	1	O-Ring	14	96-1276	1	Nipple-Face, Flush

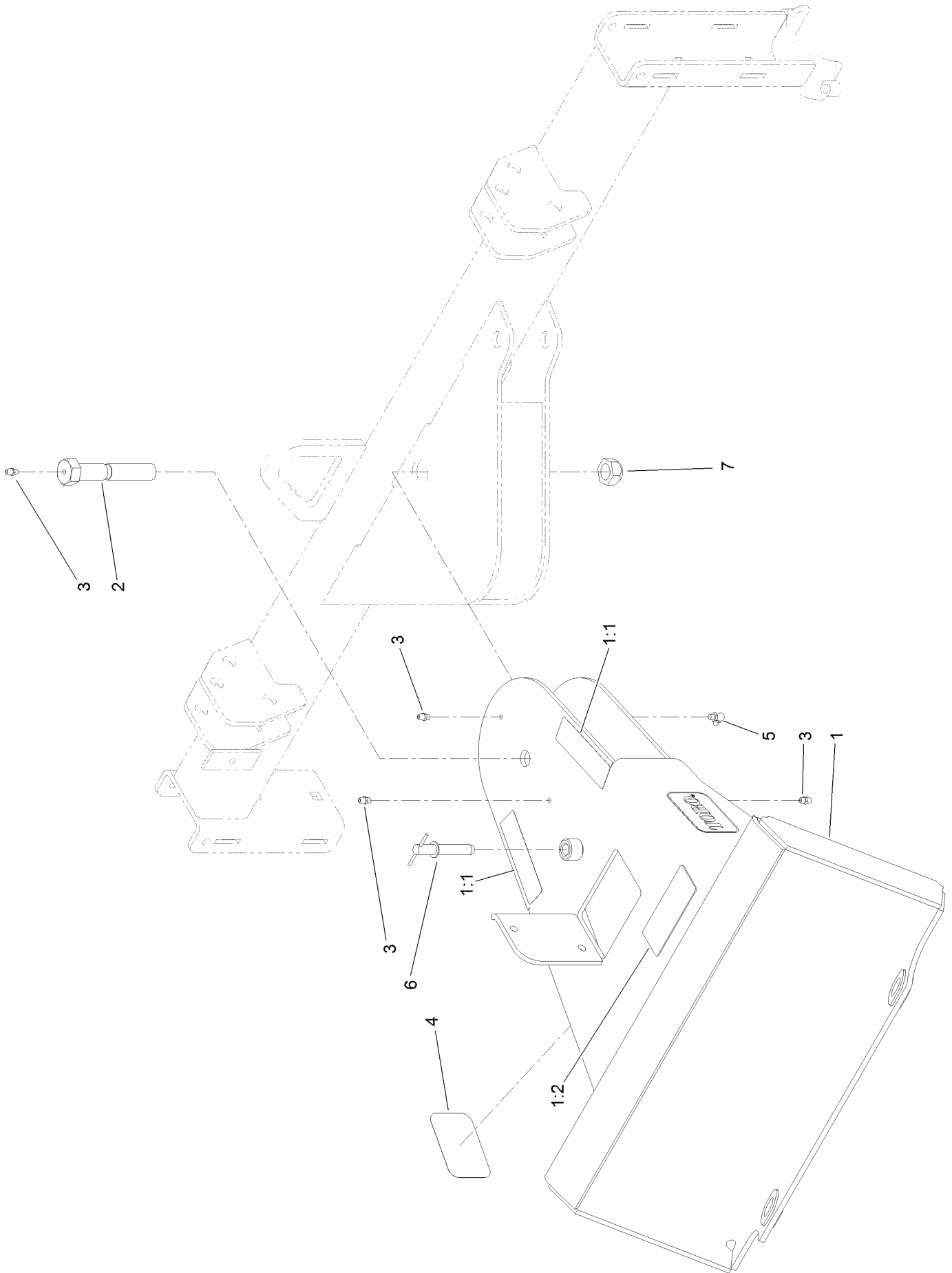
Caster Wheel Assembly



Caster Wheel Assembly (continued)

<i>Ref.</i>	<i>Part Number</i>	<i>Qty.</i>	<i>Description</i>	<i>Ref.</i>	<i>Part Number</i>	<i>Qty.</i>	<i>Description</i>
1	130-2767	2	Arm-Caster	9	AU426-688	2	Screw-HH
2	130-2768	2	Pin-Adjustment, Height	10	283-78	2	Pin-Clevis
3	32151-44	6	Ring-Retaining	11	3272-7	2	Pin-Cotter
4	130-2770	4	Spacer	12	93-4696	2	Pin-Hitch
5	130-2772	4	Bearing-Flange	13	302-5	2	Fitting-Grease
6	130-2771	2	Fork-Caster	14	112-0236	2	Nut-Lock
7	130-2773	2	Spacer-Sleeve	15	130-2783	2	Cap-Tube
8	130-2774	2	Wheel And Tire ASM				

Attachment Mount Assembly



Attachment Mount Assembly (continued)

<i>Ref.</i>	<i>Part Number</i>	<i>Qty.</i>	<i>Description</i>	<i>Ref.</i>	<i>Part Number</i>	<i>Qty.</i>	<i>Description</i>
1	130-2769	1	Attachment Mount ASM	4	70-2200	2	Decal
1:1	93-9367	2	Decal-Warning	5	302-60	1	Fitting-Grease
1:2	100-4708	1	Decal-Warning	6	130-2785	1	Pin-Shoulder, T-Handle
2	107-9429	1	Bolt-Pivot	7	97-1208	1	Locknut-Stover
3	302-5	4	Fitting-Grease				

Notes:

Notes:



Count on it.