



**Count on it.**

**Parts Catalog**

**Stump Grinder  
Compact Tool Carrier**

Model No. 22429—Serial No. 415090382 and Up



# Ordering Replacement Parts

To order replacement parts, please supply the part number, the quantity, and the description of each part desired.

## Understanding Reference Numbers

Each identified part in an illustration has a reference number. The reference number for a part also appears in the parts list, along with other information about the part.

This catalog uses two special reference number formats, one to indicate parts in a service assembly and another to indicate the quantity of a given part in an illustration.

## Service Assembly Reference Numbers

Parts in service assemblies have reference numbers in the form a:b. The a represents the reference number of the entire service assembly and the b represents a sequential number unique to each part within the service assembly.

For example, a wheel assembly might be identified by reference number 6, the tire by 6:1, the valve by 6:2, and the wheel by 6:3. When you order the assembly identified by reference number 6, you receive all parts identified by reference numbers 6:1, 6:2, and 6:3. However, you may also order any part individually. Reference numbers of this type appear in illustration and in parts lists.

## Reference Numbers Indicating Quantity

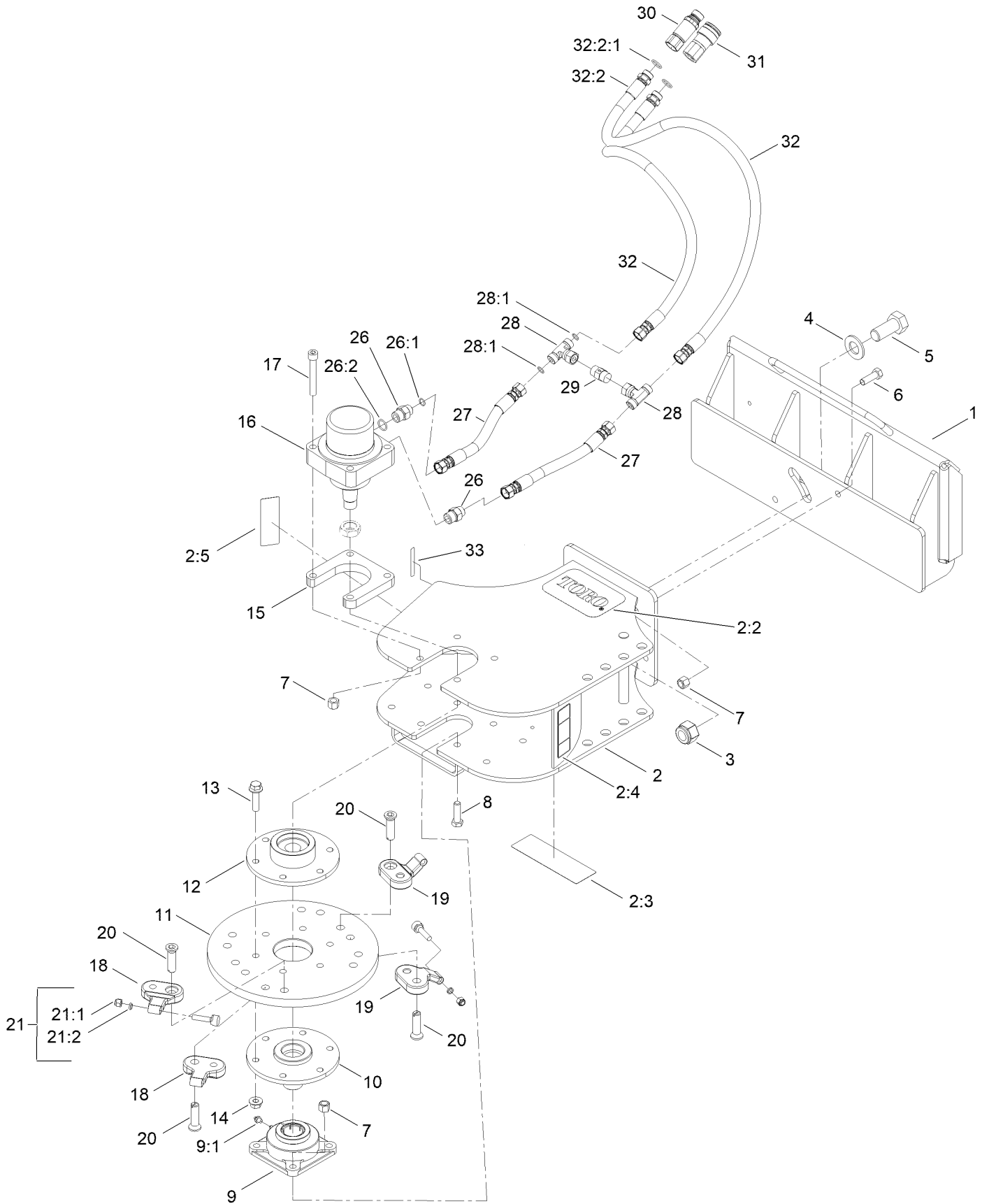
In an illustration, if a reference number indicates more than one part, the reference number has the form nX y. The n represents the quantity of the part, the X is the multiplication symbol, and the y represents the reference number.

For example, in an illustration, the reference number 2X 37 means that two of the parts identified by reference number 37 are indicated.

# Contents

Grinder Frame, Head and Hydraulic Motor Assembly ..... 4  
Hydraulic Motor Assembly No. 127-9603..... 6  
Shield and Guard Assembly ..... 8

# Grinder Frame, Head and Hydraulic Motor Assembly



# Grinder Frame, Head and Hydraulic Motor Assembly (continued)

<i>Ref.</i>	<i>Part Number</i>	<i>Qty.</i>	<i>Description</i>	<i>Ref.</i>	<i>Part Number</i>	<i>Qty.</i>	<i>Description</i>
1	132-8629-03	1	Plate-Attach, Quick	17	3274-100	4	Screw-HSH
2	136-4516	1	Grinder Frame ASM	18	115-9388	4	Pocket-Straight
2:2	93-7340	1	Decal	19	115-9384	8	Pocket-Angled
2:3	136-5814	1	Decal-Safety, Grinder	20	115-9386	12	Bolt-HSH, RH
2:4	136-5818	1	Decal-Warning	21	115-9385	12	Grinder Tooth ASM
2:5	136-5817	1	Decal-Danger	21:1	3296-39	1	Nut-Lock, NI
3	104-2024	1	Nut-Hex, NI	21:2	121-4365	1	Spacer-Tooth
4	3256-62	1	Washer-Flat	26	340-6	2	Fitting-Straight
5	104-2035	1	Screw-Cap	26:1	237-30	1	O-Ring
6	325-6	2	Screw-HH	26:2	237-80	1	O-Ring
7	3296-23	10	Nut-Lock, NI	27	95-3664	2	HYD Hose ASM
8	325-7	4	Screw-HH	28	93-6810	2	Fitting-Tee
9	104-2026	1	Bearing	28:1	237-30	2	O-Ring
9:1	302-2	1	Fitting-Grease	29	117-6383	1	Valve-Check
10	115-9395-03	1	Shaft-Stub	30	100-4701	1	Nipple-Connect, Pressure
11	136-4501-03	1	Wheel-Grinder, Stump	30:1	100-6120	1	Seal Kit ●
12	119-4570-03	1	Hub-Drive	31	104-6134	1	Coupler-Face, Flush
13	3234-27	6	Screw-HHF	32	136-5805	2	HYD Hose ASM
14	32128-49	6	Nut-HHF	32:2		1	Fitting-Straight ■
15	136-4502-03	1	Plate- Spacer	32:2:1	237-80	1	O-Ring
16	127-9603	1	HYD Motor ASM	33	133-8061	1	Decal-Warning

● Not illustrated

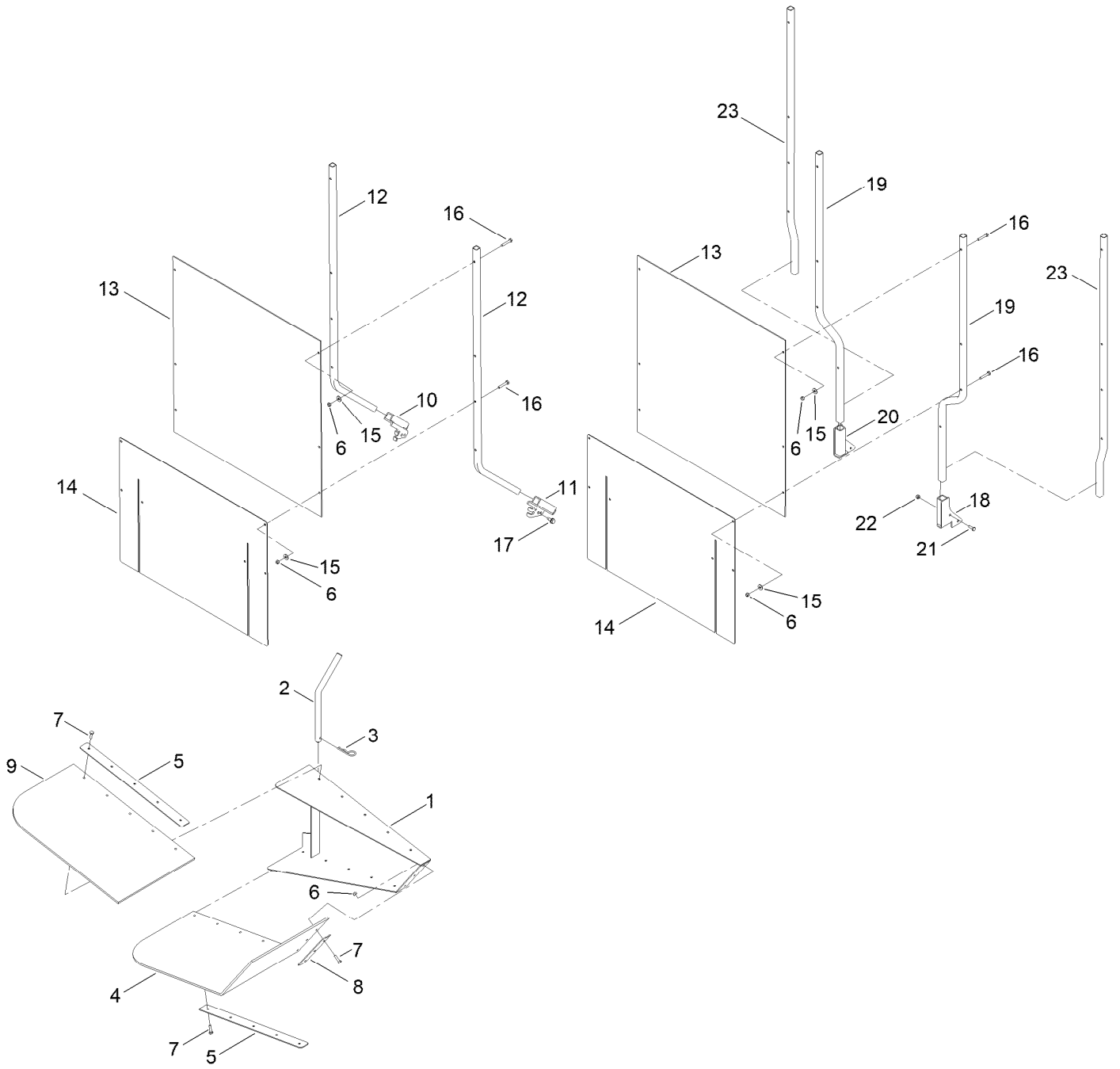
■ Not serviced separately



# Hydraulic Motor Assembly No. 127-9603 (continued)

<i>Ref.</i>	<i>Part Number</i>	<i>Qty.</i>	<i>Description</i>
1	3257-42	1	Key-Woodruff
2	119-4631	1	Seal Kit
3	106-8159	1	Nut-Hex Jam Lck

# Shield and Guard Assembly





## Shield and Guard Assembly (continued)

<i>Ref.</i>	<i>Part Number</i>	<i>Qty.</i>	<i>Description</i>	<i>Ref.</i>	<i>Part Number</i>	<i>Qty.</i>	<i>Description</i>
1	104-2012-03	1	Chipper Guard ASM	13	136-4553	1	Shield-Lexan
2	104-2018	1	Pin-Hinge	14	136-4554	1	Skirt-Protector
3	3290-343	1	Pin-Hair	15	3256-78	8	Washer-Flat
4	104-2022	1	Guard-Skirt, Rear	16	321-9	8	Screw-HH
5	104-2019-03	2	Clamp-Skirt	17	32144-70	4	Screw-HWHTF
6	3296-8	21	Nut-Hex	18	132-8623-03	1	Bracket-Support, LH
7	321-6	13	Screw-HH	19	136-4558-03	2	Support-Tube, Shield
8	104-2021-03	1	Clamp-Skirt	20	132-8624-03	1	Bracket-Support, RH
9	104-2023	1	Guard-Skirt, Front	21	321-4	4	Screw-HH
10	104-5818-03	1	Bracket-Support, RH	22	3296-42	4	Nut-Lock, NI
11	104-5817-03	1	Bracket-Support, LH	23	144-4415-03	2	Tube-Support, Shield
12	104-5815-03	2	Support-Shield				

**Notes:**

**Notes:**



**Count on it.**