



Count on it.

Parts Catalog

eTimeMaster™ 30in 60V

Lawn Mower

Model No. 21491T—Serial No. 40000000 and Up



Ordering Replacement Parts

To order replacement parts, please supply the part number, the quantity, and the description of each part desired.

Understanding Reference Numbers

Each identified part in an illustration has a reference number. The reference number for a part also appears in the parts list, along with other information about the part.

This catalog uses two special reference number formats, one to indicate parts in a service assembly and another to indicate the quantity of a given part in an illustration.

Service Assembly Reference Numbers

Parts in service assemblies have reference numbers in the form a:b. The a represents the reference number of the entire service assembly and the b represents a sequential number unique to each part within the service assembly.

For example, a wheel assembly might be identified by reference number 6, the tire by 6:1, the valve by 6:2, and the wheel by 6:3. When you order the assembly identified by reference number 6, you receive all parts identified by reference numbers 6:1, 6:2, and 6:3. However, you may also order any part individually. Reference numbers of this type appear in illustration and in parts lists.

Reference Numbers Indicating Quantity

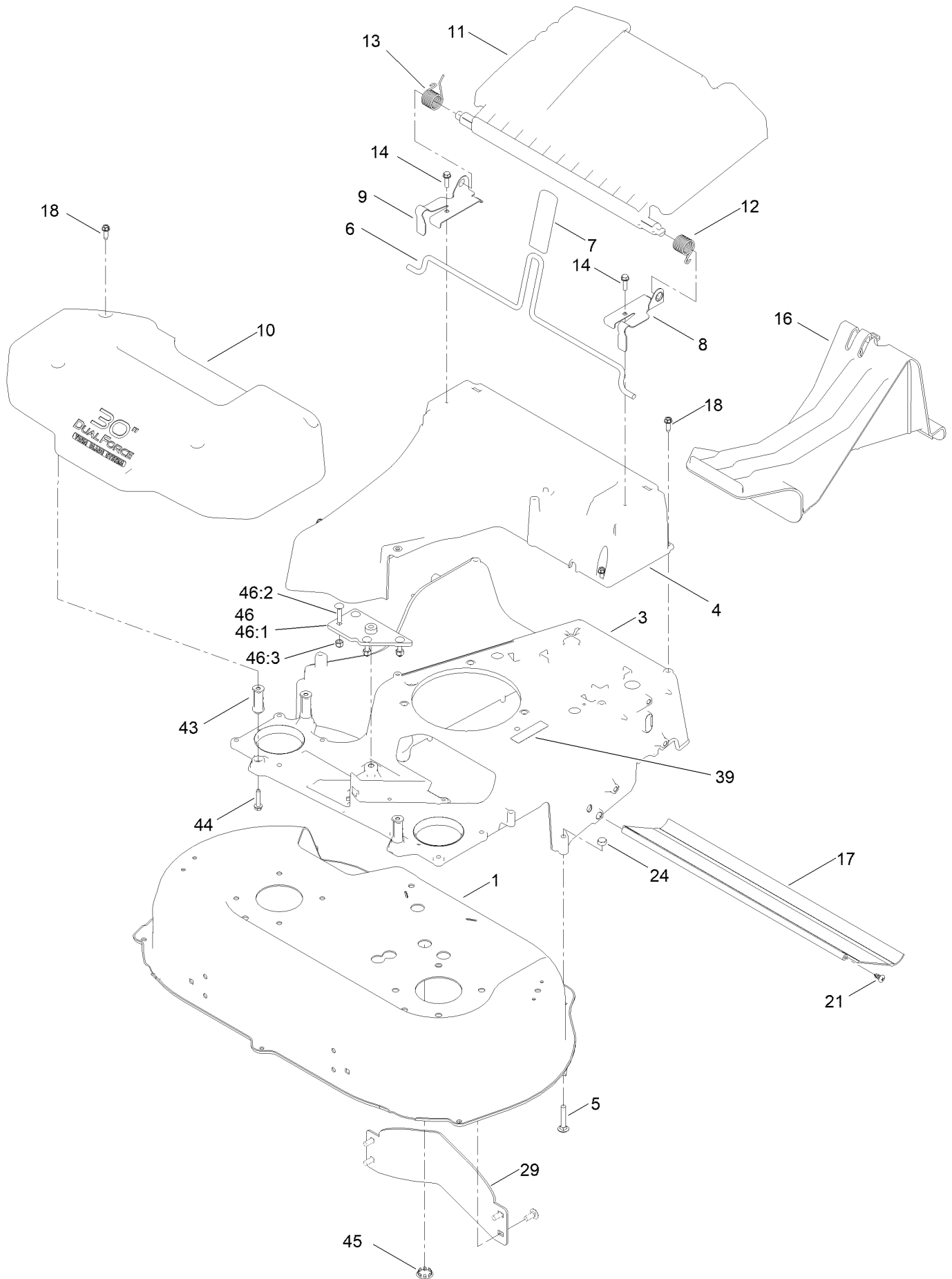
In an illustration, if a reference number indicates more than one part, the reference number has the form nX y. The n represents the quantity of the part, the X is the multiplication symbol, and the y represents the reference number.

For example, in an illustration, the reference number 2X 37 means that two of the parts identified by reference number 37 are indicated.

Contents

Housing Assembly	4
Spindle and Blade Assembly	6
Side Discharge Chute Assembly	8
Grass Bag Assembly	10
Motor Module and Belt Assembly	12
Motor Module Assembly No. 145-5881	14
Front Wheel and Height-of-Cut Assembly	16
Rear Wheel and Height-of-Cut Assembly	18
Handle Assembly	20
Attachments and Accessories	22

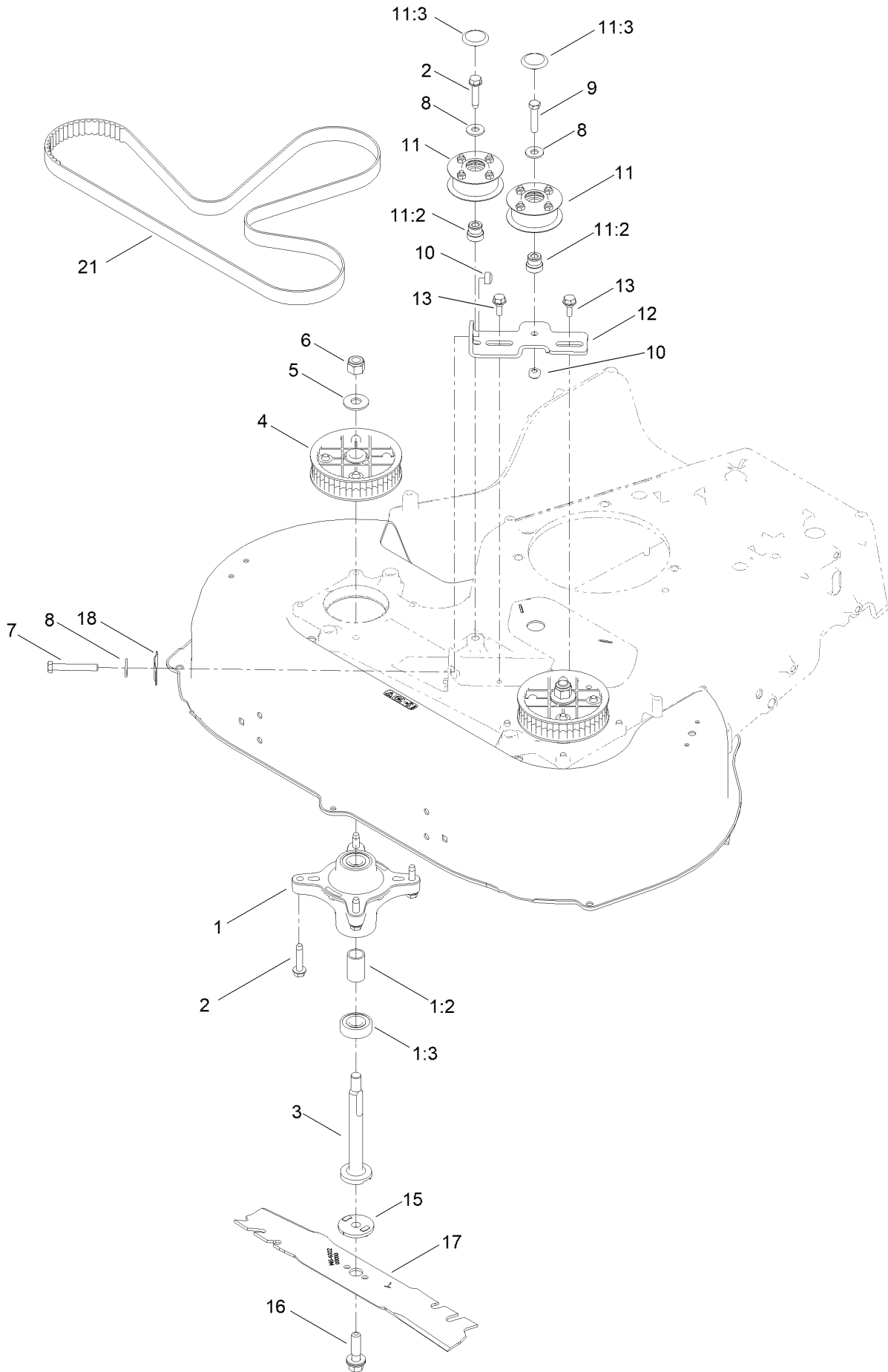
Housing Assembly



Housing Assembly (continued)

<i>Ref.</i>	<i>Part Number</i>	<i>Qty.</i>	<i>Description</i>	<i>Ref.</i>	<i>Part Number</i>	<i>Qty.</i>	<i>Description</i>
1	161-3115	1	Housing ASM	17	120-6241	1	Shield-Trailing
3	145-3985-01	1	Frame-30In, 60V	18	49-2040	8	Screw-HWHTF
4	133-8177	1	Chute	21	117-1092	2	Screw-PTH
5	3230-5	2	Bolt-CARR	24	3296-29	2	Nut-Lock, NI
6	139-5415	1	Rod-Release, Handle	29	130-2352-01	1	Baffle-Control
7	120-7018	1	Grip-Lever	39	133-8054	1	Decal-Prop 65, Short, Trilingual
8	121-9114	1	Bracket-Door, LH	43	140-3901	3	Spacer-Frame, 30 In.
9	121-9115	1	Bracket-Door, RH	44	108-4862	3	Screw-HWH Thd Roll
10	145-5894	1	Cover-Belt	45	147-0471	1	Plug-Button
11	145-3997	1	Rear Deflector ASM	46	161-3140	1	Frame-Plate Kit
12	115-2859	1	Spring-Torsion	46:1	161-3141	1	Plate-Frame, ASM
13	114-7924	1	Spring-Torsion	46:2	3229-3	4	Screw-CARR
14	46-8091	2	Screw-HWH	46:3	3296-42	4	Nut-Lock, NI
16	120-5225	1	Plug-Mulch				

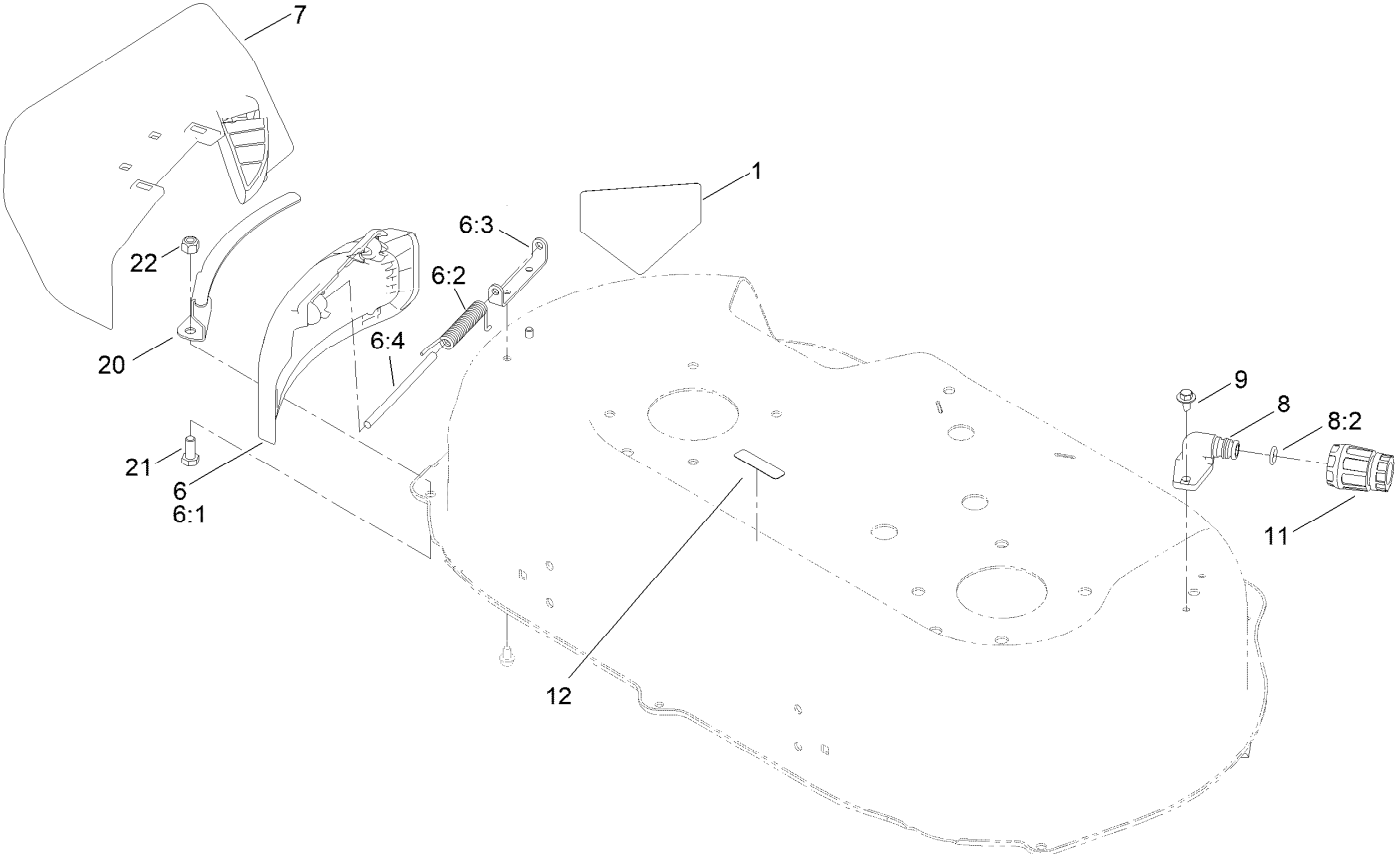
Spindle and Blade Assembly



Spindle and Blade Assembly (continued)

<i>Ref.</i>	<i>Part Number</i>	<i>Qty.</i>	<i>Description</i>	<i>Ref.</i>	<i>Part Number</i>	<i>Qty.</i>	<i>Description</i>
1	121-9107	2	Spindle ASM	10	3296-29	2	Nut-Lock, NI
1:2	120-7935	2	Spacer	11	131-4529	2	Pulley Kit
1:3	138-9770	2	Bearing-Ball	11:2	131-4504	1	Adapter-Bore
2	139-1731	9	Screw-Thd Roll, HWH	11:3	125-2533	1	Plug-Cap
3	139-6612	2	Shaft-Spindle	12	145-4016	1	Bracket-Idler
4	121-9100	2	Sprocket	13	139-1730	2	Screw-Shoulder, HHF
5	109-9505	2	Washer-Spring	15	120-5236	2	Adapter-Blade
6	3296-19	2	Nut-Hex	16	125-2466	2	Bolt-Blade
7	139-1728	1	Bolt-HH Ft	17	145-4002-03	2	Blade-Rotary [black]
8	139-1723	2	Washer-Flat	18	121-2336	1	Spring-Flat
9	120-2779	1	Screw-HH	21	145-4001	1	Belt-Synchronous

Side Discharge Chute Assembly

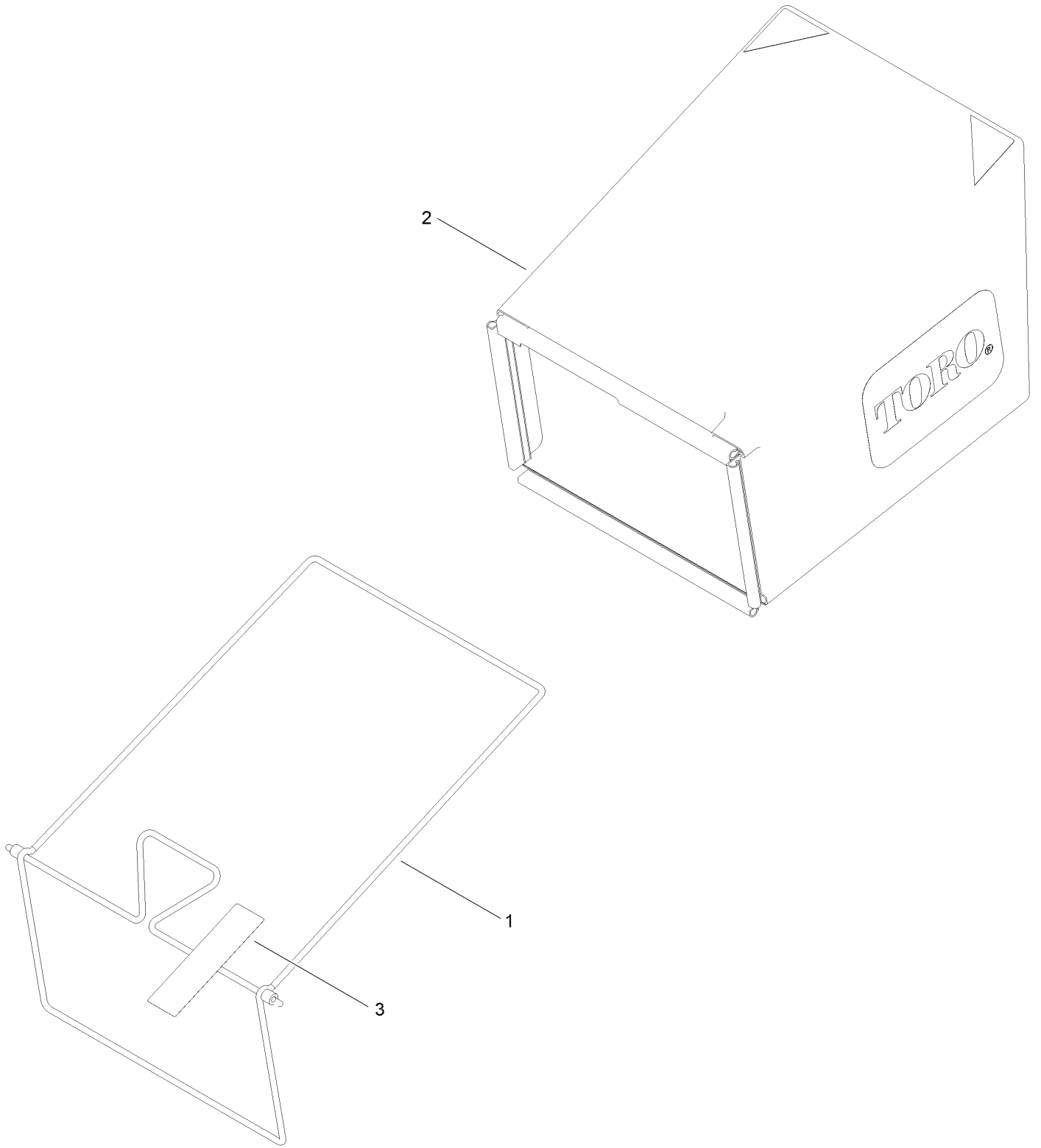


Side Discharge Chute Assembly (continued)

<i>Ref.</i>	<i>Part Number</i>	<i>Qty.</i>	<i>Description</i>	<i>Ref.</i>	<i>Part Number</i>	<i>Qty.</i>	<i>Description</i>
1	94-8072	1	Decal-Danger	8	133-9289	1	Fitting-Washout
6		1	Side Deflector Service ASM	8:2	133-9290	1	O-Ring
			●	9	139-1700	2	Screw-HWH, Thd Roll
6:1	125-5091	1	Deflector-Side	11	95-3270	1	Connector-Hose
6:2	127-0721	1	Spring-Torsion, Cover	12	120-9570	1	Decal-Warning
6:3	112-6416	1	Bracket-Cover	20	161-3198-03	1	Bracket-Door, Side
6:4	99-5291	1	Rod-Cover	21	322-3	1	Screw-HH
7	121-2319	1	Chute-Discharge, Side	22	3296-29	1	Nut-Lock, NI

● Not serviced separately

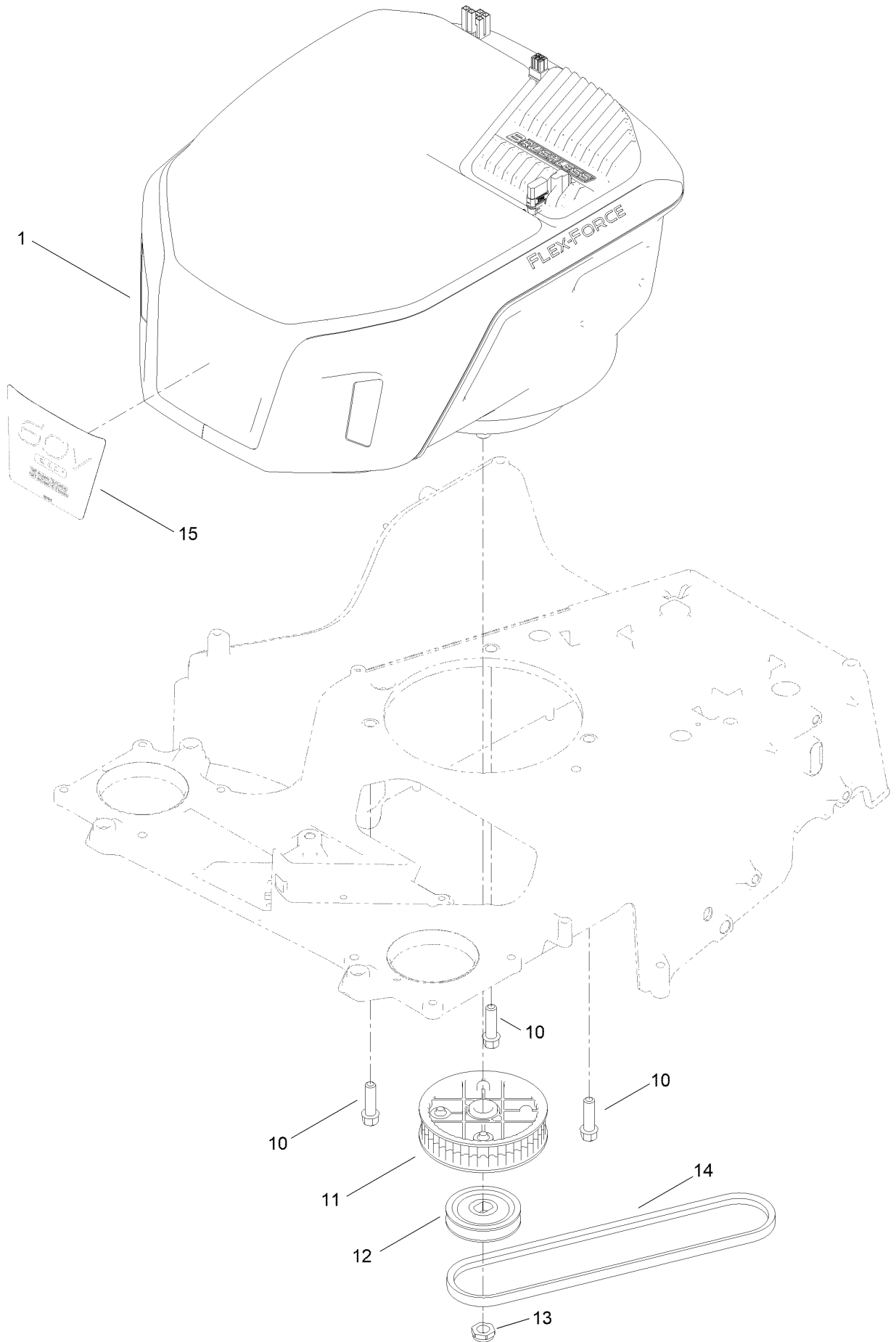
Grass Bag Assembly



Grass Bag Assembly (continued)

<i>Ref.</i>	<i>Part Number</i>	<i>Qty.</i>	<i>Description</i>
1	121-5766-03	1	Frame-Bag
2	121-5770	1	Bag-Grass
3	139-8986	1	Decal-Warning (Bag)

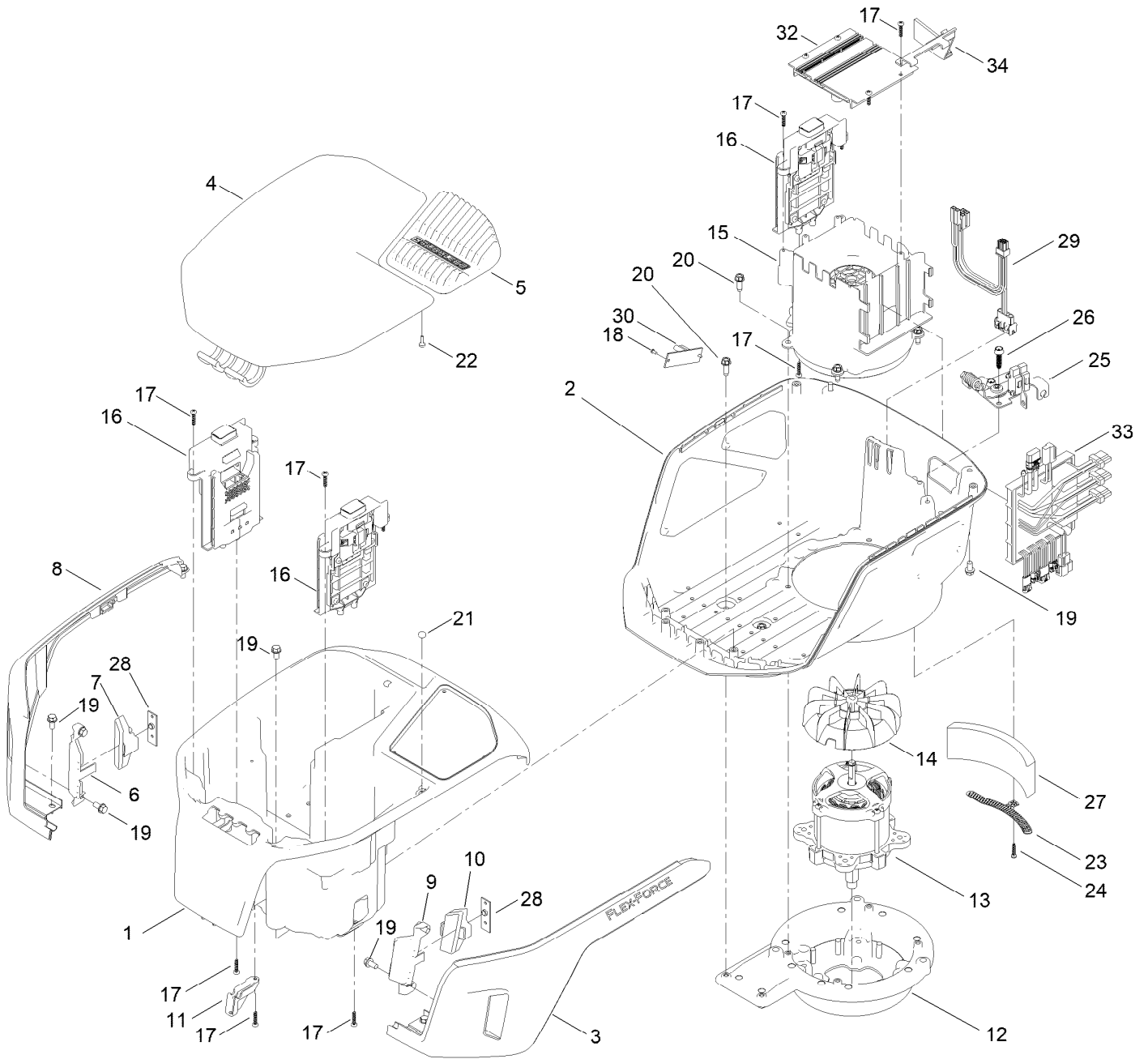
Motor Module and Belt Assembly



Motor Module and Belt Assembly (continued)

<i>Ref.</i>	<i>Part Number</i>	<i>Qty.</i>	<i>Description</i>	<i>Ref.</i>	<i>Part Number</i>	<i>Qty.</i>	<i>Description</i>
1	145-5881	1	Motor Module 60V	13	3296-28	1	Nut-Lock, NI
10	121-5844	3	Screw-Thd Form, HWH	14	120-9470	1	V-Belt, Traction
11	121-9100	1	Sprocket	15	147-0515	1	Decal-60V
12	147-0431	1	Pulley-Traction				

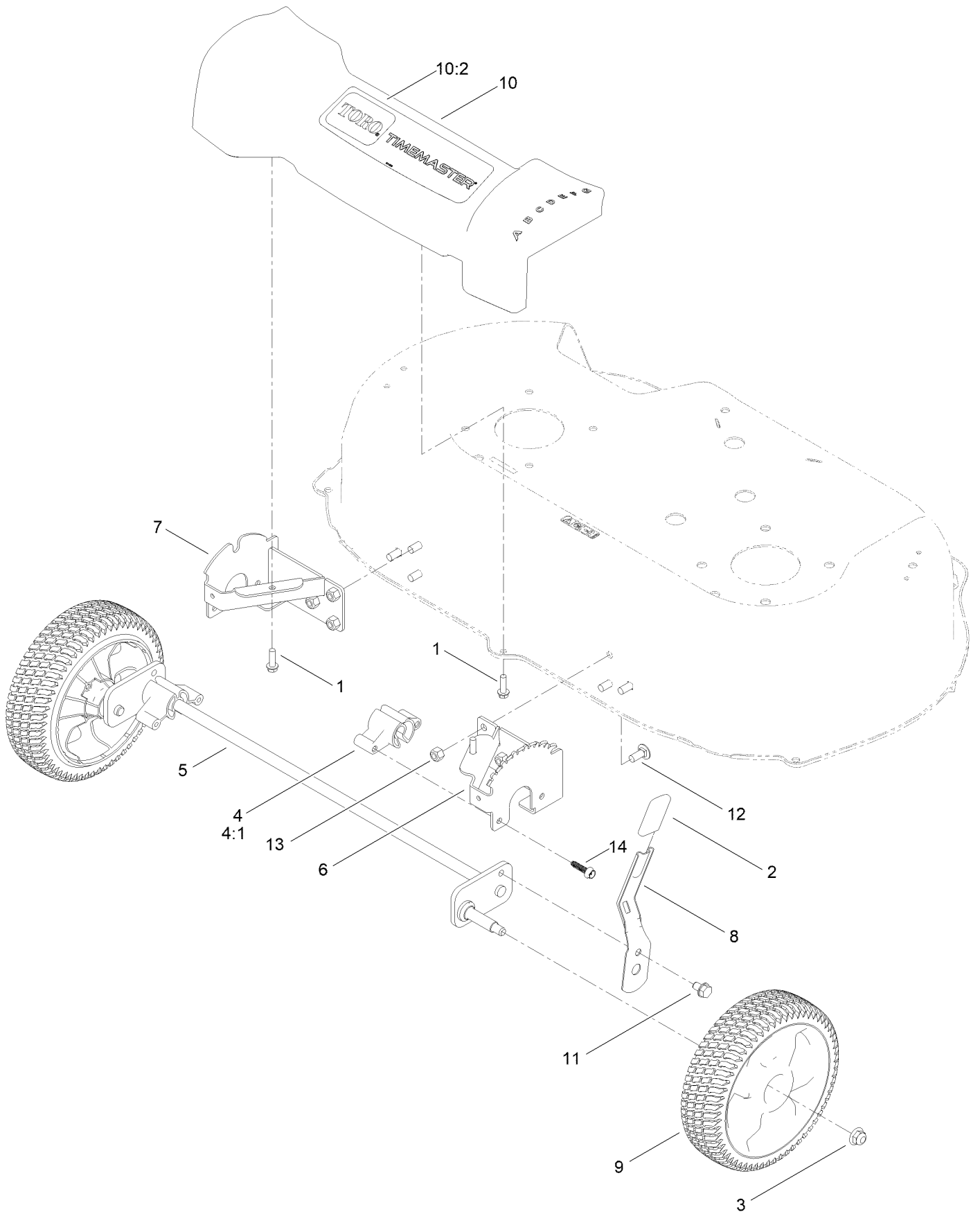
Motor Module Assembly No. 145-5881



Motor Module Assembly No. 145-5881 (continued)

<i>Ref.</i>	<i>Part Number</i>	<i>Qty.</i>	<i>Description</i>	<i>Ref.</i>	<i>Part Number</i>	<i>Qty.</i>	<i>Description</i>
1	145-5882	1	Bucket-Battery	18	112-8658	2	Screw-PPH
2	145-5883	1	Shroud-Lower	19	46-8093	12	Screw-Plastite
3	145-5884	1	Trim-Shroud, LH	20	49-2040	6	Screw-HWHTF
4	145-5885	1	Lid-Motor	21	114-5896	2	Magnet
5	145-5886	1	Heatsink-Controller	22	95-4234	2	Screw-PPH
6	145-5887	1	Lens-LED, RH	23	147-0449	1	Bracket-Foam
7	145-5888	1	Reflector-LED, RH	24	138-3273	1	Screw-Plastic, PPH
8	145-5889	1	Trim-Shroud, RH	25	133-1918	1	Bail Switch ASM
9	145-5890	1	Lens-LED, LH	26	130-6658	2	Screw-Flange, Plastic
10	145-5891	1	Reflector-LED, LH	27	145-3972	1	Foam
11	145-5892	2	Bracket-Support, Lid	28	144-6448	2	Board-Light, LED
12	145-5895	1	Mount-Base, Motor	29	139-6637	1	Harness-Wire
13	145-4048	1	Motor-60V	30	145-1530	1	Driver-LED
14	145-5896	1	Fan-Motor	32	147-0451	1	Controller-Pmu
15	145-5897	1	Shroud-Motor	33	147-0452	1	Controller-Motor
16	147-0403	3	Receiver-Battery	34	161-3110	1	Bracket-Pmu
17	94-4496	20	Screw-PPH				

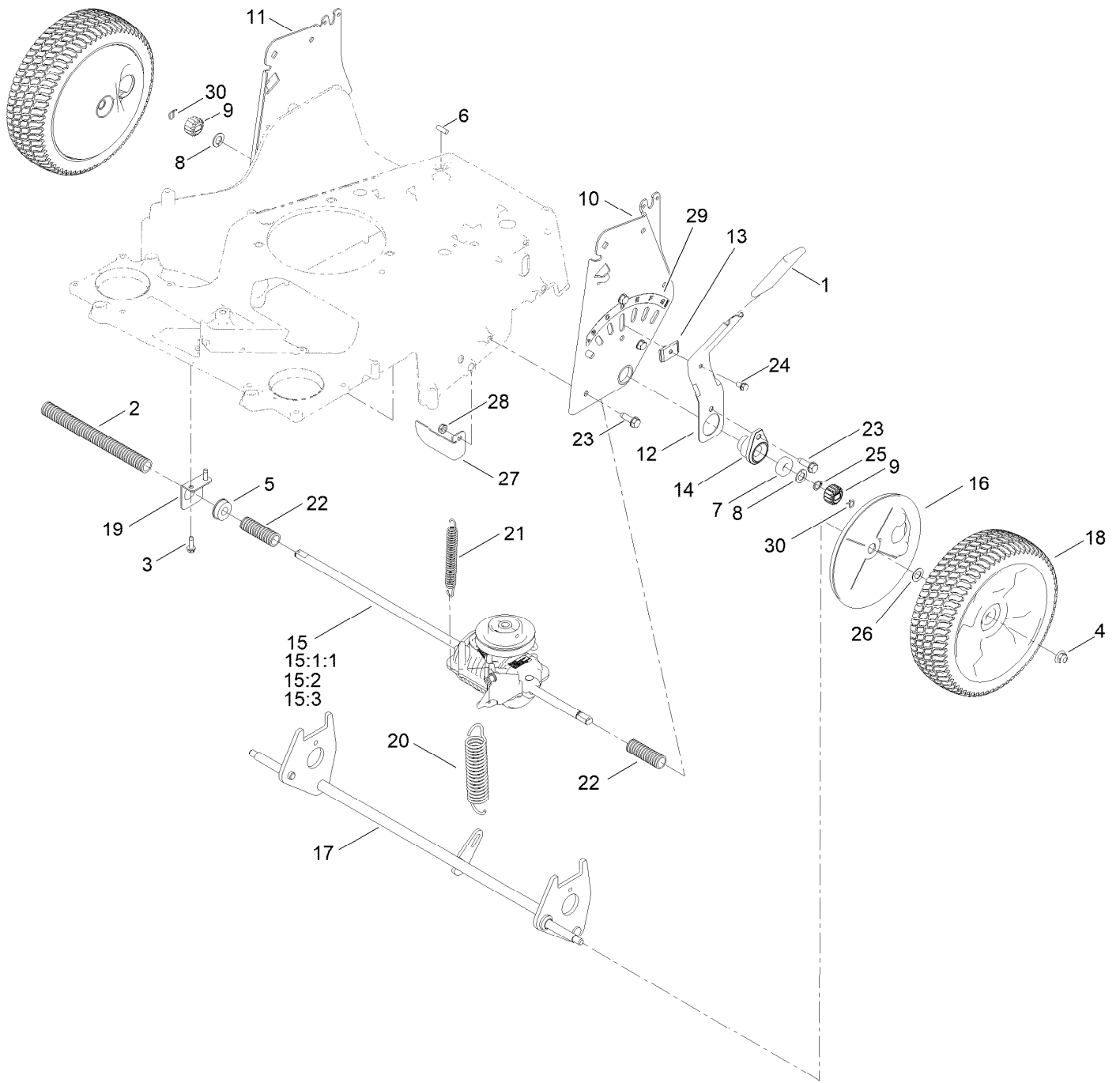
Front Wheel and Height-of-Cut Assembly



Front Wheel and Height-of-Cut Assembly (continued)

<i>Ref.</i>	<i>Part Number</i>	<i>Qty.</i>	<i>Description</i>	<i>Ref.</i>	<i>Part Number</i>	<i>Qty.</i>	<i>Description</i>
1	46-8091	3	Screw-HWH	8	120-7043	1	Arm-Spring
2	120-9535	1	Grip-Lever	9	125-2510	2	8 Inch Wheel ASM
3	119-4042	2	Nut-HF, NI	10	147-0518	1	Front Cover ASM
4	147-0519	2	Bushing-Pivot, Front	10:2	147-0516	1	Decal-Cover, Front
4:1	15-4318	1	Resin-Nylon 66	11	700057	1	Screw-HWH
5	139-1753	1	Front Axle ASM	12	3230-23	6	Bolt-CARR
6	120-7037-03	1	Plate-HOC, LH	13	3296-29	6	Nut-Lock, NI
7	120-7038-03	1	Plate-HOC, RH	14	130-6658	4	Screw-Flange, Plastic

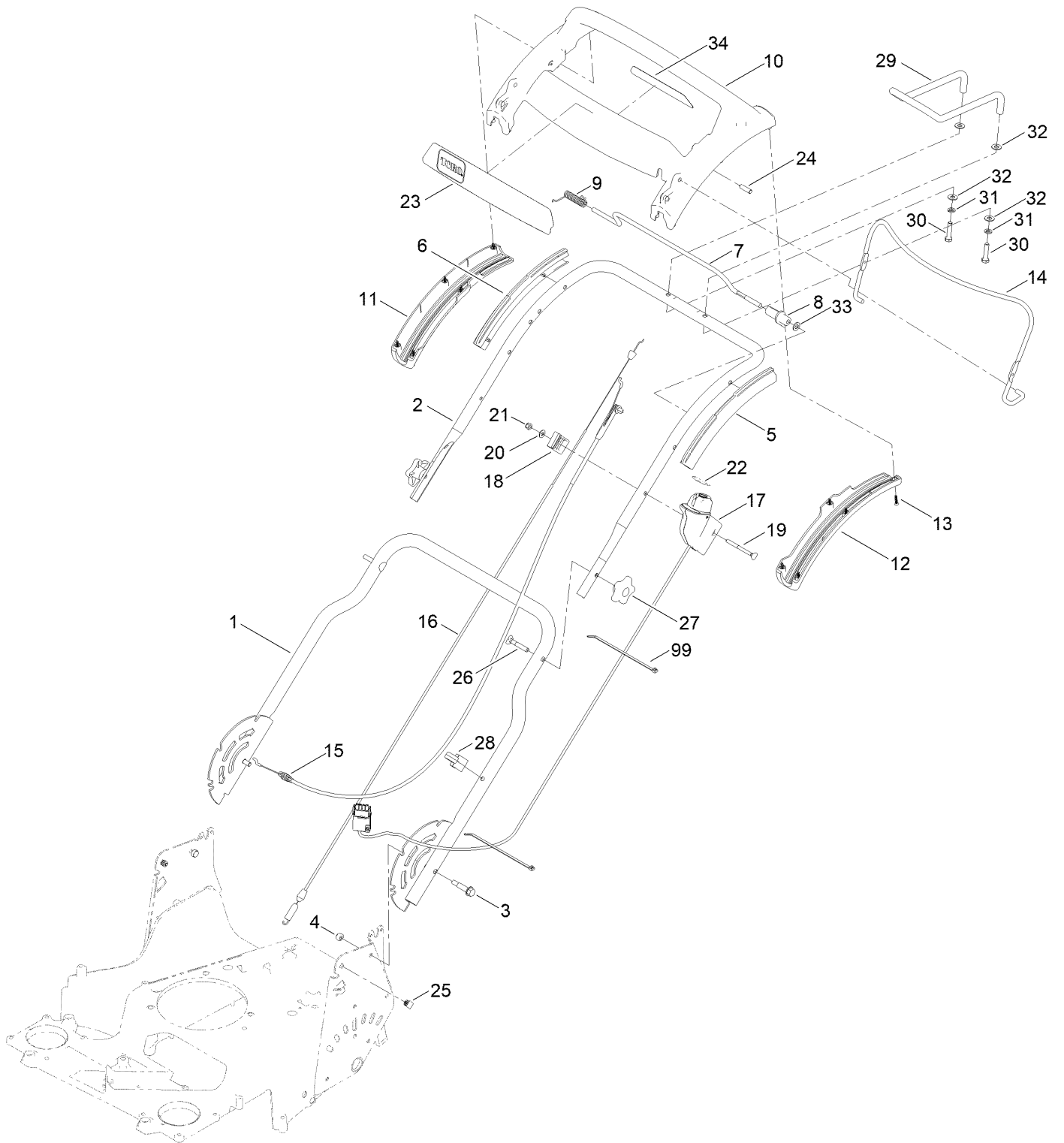
Rear Wheel and Height-of-Cut Assembly



Rear Wheel and Height-of-Cut Assembly (continued)

<i>Ref.</i>	<i>Part Number</i>	<i>Qty.</i>	<i>Description</i>	<i>Ref.</i>	<i>Part Number</i>	<i>Qty.</i>	<i>Description</i>
1	137-4796	1	Grip-Lever, Lift	15:3	32151-61	1	Ring-Retaining
2	121-5799	1	Conduit-Convolute	16	147-0404	2	Cover-Gear
3	49-2040	2	Screw-HWHTF	17	147-0401	1	Rear Axle ASM
4	119-4042	2	Nut-HF, NI	18	125-2509	2	10 Inch Wheel Gear ASM
5	104-8699	1	Bearing-Ball	19	138-3233	1	Mount-Bearing
6	106-5681	1	Pin-Stop	20	120-7026	1	Spring-Extension
7	133-2603	2	Bearing-Ball	21	120-7027	1	Spring-Extension
8	110-7191	2	Washer-Thrust	22	121-5800	2	Conduit-Convolute
9	131-5399	2	Gear-Pinion, 15T	23	701243	8	Screw-Thd Roll, HWH
10	120-3342-03	1	Plate-HOC, LH	24	32144-4	1	Screw-HWH
11	120-3343-03	1	Plate-HOC, RH	25	32151-61	1	Ring-Retaining
12	137-9124	1	Arm-Spring	26	36-4780	2	Washer-Plain
13	120-5209	1	Key-Arm, Spring	27	138-5338	1	Bracket-Stop
14	136-5929	2	Retainer-Bearing	28	3296-47	1	Nut-Lock,NI
15	131-9665	1	Transmission Kit	29	125-2497	1	Decal-HOC, Rear
15:1:1	130-2370	1	Transmission Pulley Kit	30	130-2369	2	Pin-Snap
15:2	130-2369	2	Pin-Snap				

Handle Assembly



Handle Assembly (continued)

<i>Ref.</i>	<i>Part Number</i>	<i>Qty.</i>	<i>Description</i>	<i>Ref.</i>	<i>Part Number</i>	<i>Qty.</i>	<i>Description</i>
1	145-4021-05	1	Handle-Lower, ASM	18	140-4128	1	Clamp-Cable
2	145-4004-05	1	Handle-Upper	19	92-2267	1	Screw-Handle
3	139-1694	1	Bolt-Shoulder, HHF	20	139-1699	1	Washer-Flat
4	3296-29	2	Nut-Lock, NI	21	137-3094	1	Nut-Hex
5	140-2367	1	Guide-Curved, LH (Rwd)	22	145-4009	1	Decal-Controls
6	140-2366	1	Guide-Curved, RH (Rwd)	23	145-5601	1	Decal-Handle, Pp
7	139-5464	1	Rod-Control, Traction	24	139-6577	1	Pin-Handle, Pp
8	139-6554	1	Lever-Traction, Rwd	25	132-4516	2	Plug-Square
9	140-4194	1	Spring-Torsion	26	137-3107	2	Screw-Handle
10	139-6569	1	Handle-Personal Pace, Curved	27	117-5976	2	Knob-Handle
11	139-6567	1	Bottom-Handle, RH	28	114-7988	1	Guide-Cable
12	139-6568	1	Bottom-Handle, LH	29	144-0249	1	Handle-Assist, Steel
13	94-4496	10	Screw-PPH	30	137-3051	2	Screw-HH
14	145-5879-03	1	Bail-Brake	31	136-8682	2	Washer-Lock
15	139-6594	1	Cable-Brake, Pp B&s	32	107-0279	4	Washer
16	145-4007	1	Cable-Traction	33	120-9683	1	Washer-Plain
17	144-3179	1	Starter Switch ASM	34	140-1324	1	Decal-Controls (60V, Start)
				99	614249	2	Tie-Cable ●

● Not illustrated

Attachments and Accessories

For 21491T eTimeMaster 30in 60V Lawn Mower

Product Name	Model/Part
Traction Assist Handle Kit.....	144-6377
Hi-Lift Replacement Blade Kit.....	20122P
Lawn Striping Kit with 30in Roller.....	20602
Bag-Walk Behind (Toro).....	490-7318
Mower Cover	490-7461
60V Brushless Blower (Bare Tool)	51825T
60V Brushless Trimmer (Bare Tool)	51835T
60V LI-ION Battery 10.0 AH	66810
60V Battery Charger 2 AMP	88602
60V Rapid Battery Charger 5.4 AMP	88605
60V LI-ION Battery 2.5 AH.....	88625
60V LI-ION, Battery 4.0 AH	88640
60V LI-ION Battery 6.0 AH.....	88660
60V LI-ION Battery 7.5 AH.....	88675

Notes:



Count on it.