



Floormat Kit

TimeCutter® Riding Mower

Model No. 161-4528

Installation Instructions

Preparing the Machine

Gas Models Only

1. Park the machine on a level surface.
2. Disengage the blade-control switch.
3. Move the motion-control levers outward to the **PARK** position.
4. Shut off the machine and remove the key.
5. Wait for all moving parts to stop.
6. Allow machine components to cool.

Preparing the Machine

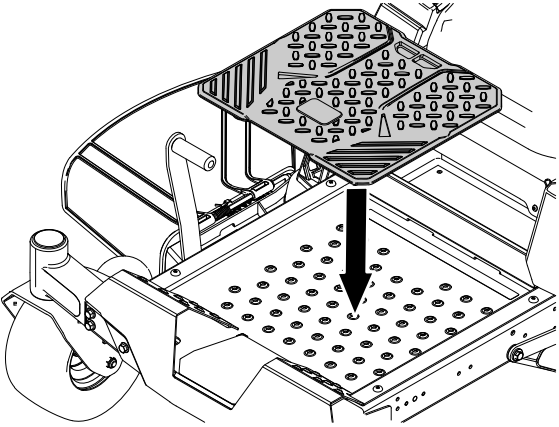
Electric Models Only

1. Park the machine on a level surface.
2. Disengage the blade-control switch.
3. Move the motion-control levers outward to the **NEUTRAL** position.
4. Engage the parking brake.
5. Shut off the machine and remove the key.
6. Wait for all moving parts to stop.
7. Allow machine components to cool.
8. Remove the battery packs from the machine.



Installing the Floormat

Place the floormat onto the platform as shown.



G462035