



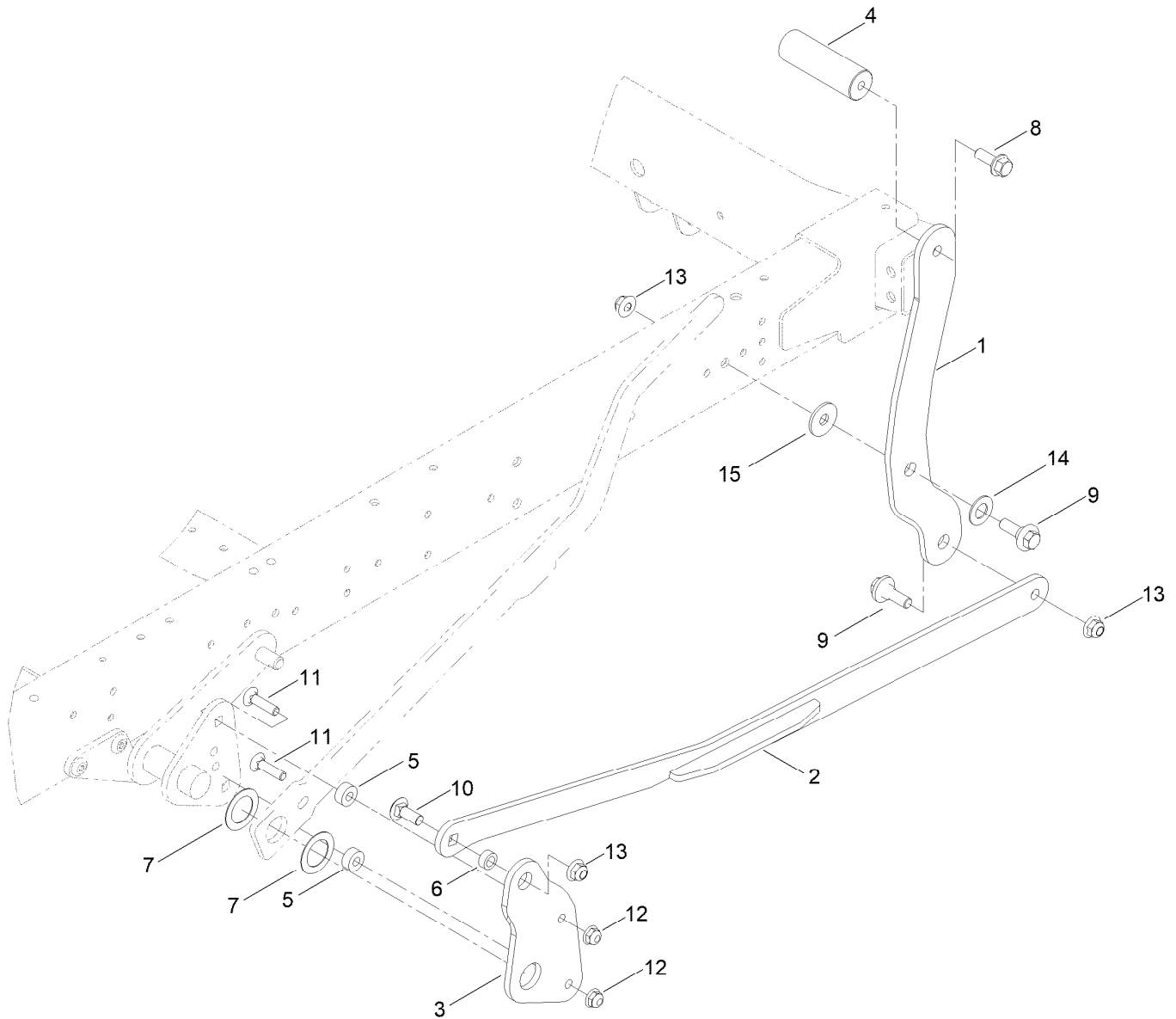
Count on it.

Parts Catalog

**Deck Footlift Assist Kit
TimeCutter® Riding Mower**

Model No. 161-4527





Deck Footlift Assist Kit Assembly No. 161-4527

Ref.	Part Number	Qty.	Description
1	138-2549-03	1	Pedal-Lift
2	140-2746-03	1	Link ASM
3	137-7086	1	Plate-Footlift
4	139-7452	1	Pedal-Foot Lift
5	140-3461	2	Spacer
6	140-2093	1	Spacer
7	63-2290	2	Washer-Thrust
8	139-2597	1	Screw-HHF
9	137-9847	2	Screw-Shoulder
10	139-2590	1	Screw-CARR
11	139-1702	2	Bolt-Carriage
12	119-4041	2	Nut-HF
13	119-4042	3	Nut-HF, NI
14	120-2273	1	Washer-Nylon
15	140-5063	1	Washer-Hardened, Cz