



Count on it.

Parts Catalog

Greensmaster® 1026 Mower

Model No. 04840—Serial No. 415200000 and Up



Ordering Replacement Parts

To order replacement parts, please supply the part number, the quantity, and the description of each part desired.

Understanding Reference Numbers

Each identified part in an illustration has a reference number. The reference number for a part also appears in the parts list, along with other information about the part.

This catalog uses two special reference number formats, one to indicate parts in a service assembly and another to indicate the quantity of a given part in an illustration.

Service Assembly Reference Numbers

Parts in service assemblies have reference numbers in the form a:b. The a represents the reference number of the entire service assembly and the b represents a sequential number unique to each part within the service assembly.

For example, a wheel assembly might be identified by reference number 6, the tire by 6:1, the valve by 6:2, and the wheel by 6:3. When you order the assembly identified by reference number 6, you receive all parts identified by reference numbers 6:1, 6:2, and 6:3. However, you may also order any part individually. Reference numbers of this type appear in illustration and in parts lists.

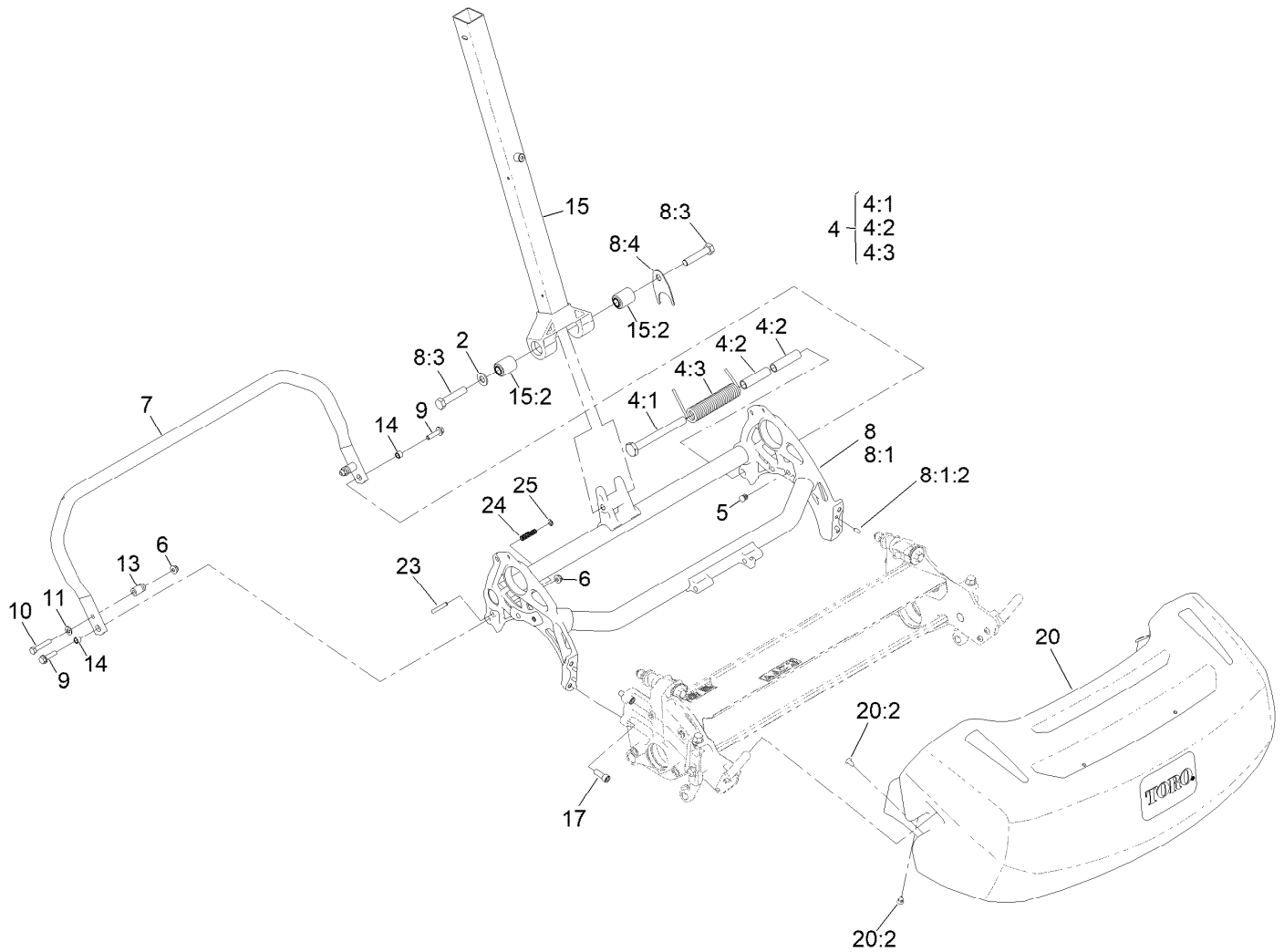
Reference Numbers Indicating Quantity

In an illustration, if a reference number indicates more than one part, the reference number has the form nX y. The n represents the quantity of the part, the X is the multiplication symbol, and the y represents the reference number.

For example, in an illustration, the reference number 2X 37 means that two of the parts identified by reference number 37 are indicated.

Contents

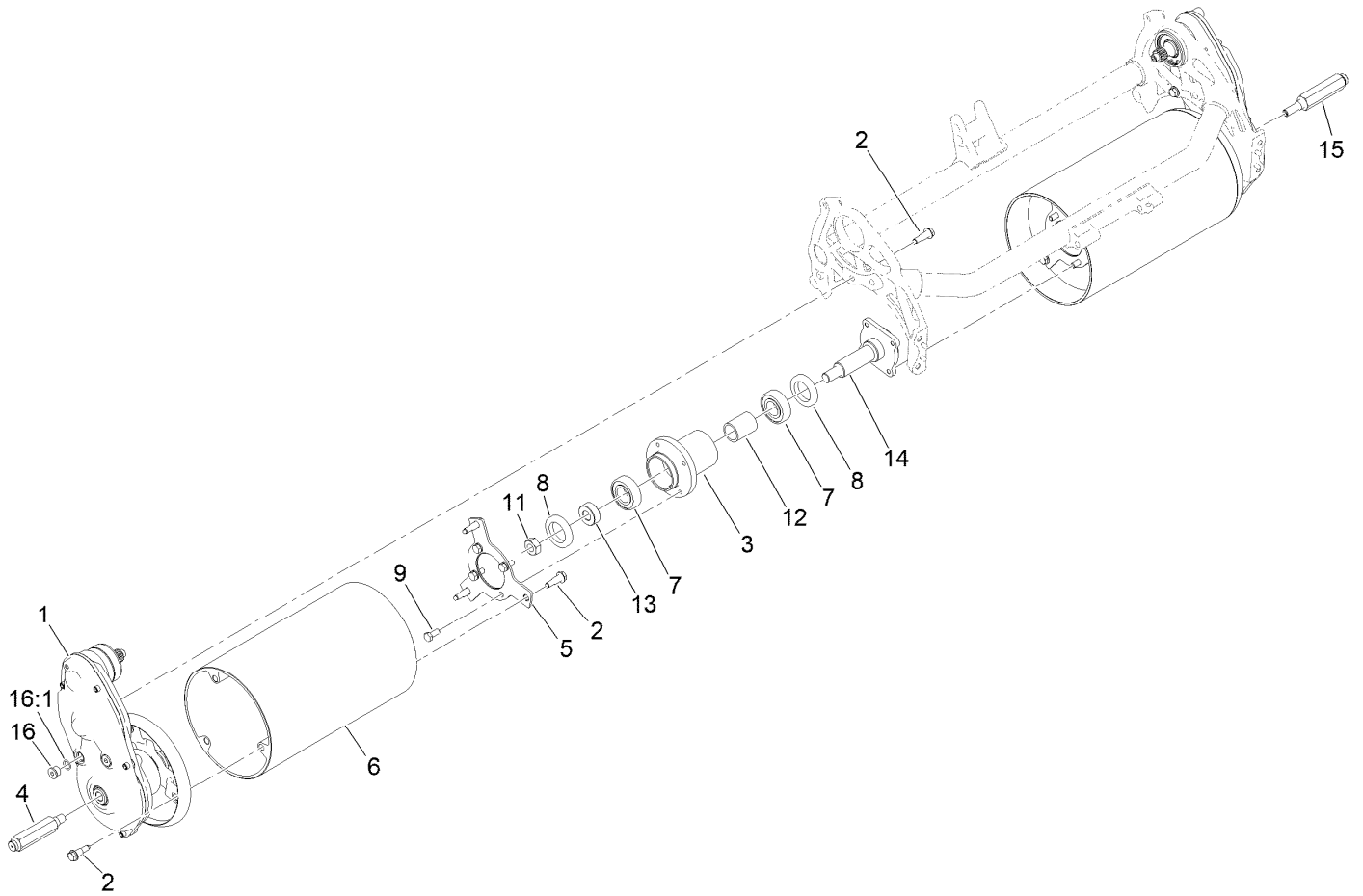
Frame and Handle Mount Assembly	4
Drum Drive Assembly	5
Drum Drive Replacement Kit Assembly No. 140-9329	6
Drum Drive Gearbox Assembly	7
Transmission Assembly	8
Engine Assembly	9
Engine Assembly No. 147-2328	11
Transmission Gearbox Assembly No. 140-9324 Transmission Case Assembly	12
Transmission Gearbox Assembly No. 140-9324 Reel Drive Assembly	13
Transmission Gearbox Assembly No. 140-9324 Traction Drive Assembly	14
Differential Assembly No. 132-4555	15
Reel Controls and Covers Assembly	16
Upper Receiver Assembly No. 147-2288	17
Upper Handle Assembly	18
Traction Bail Assembly	19
Miscellaneous Parts Assembly	20
Attachments and Accessories	21



Frame and Handle Mount Assembly

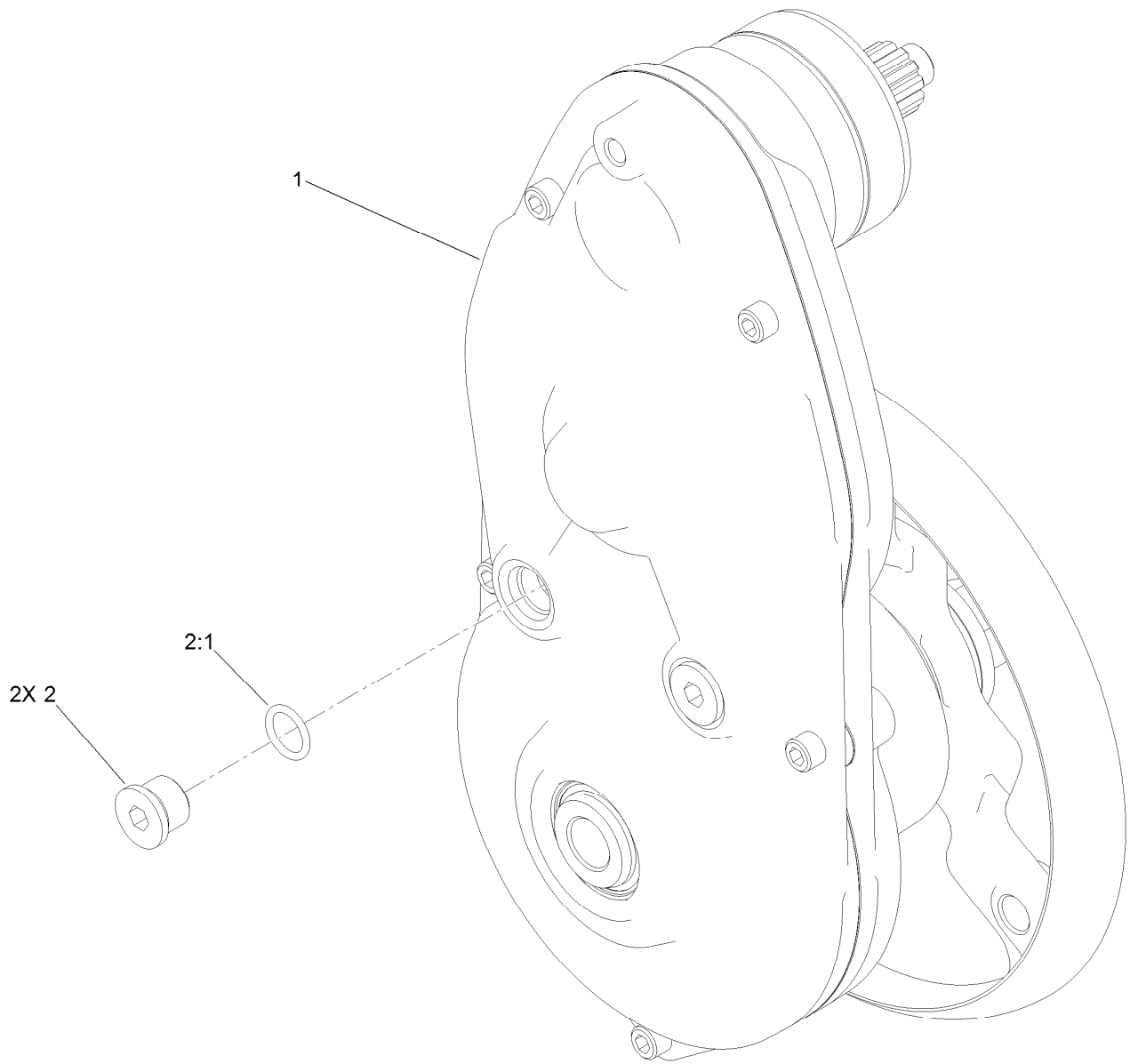
Ref.	Part Number	Qty.	Description	Ref.	Part Number	Qty.	Description
2	3256-26	1	Washer-Flat	9	112-6913	2	Screw-HHF
4	147-2290	1	Kit-Kickstand Spring Replacement	10	322-9	2	Screw-HH
4:1	147-2285	1	Pin-Mount, Spring	11	3256-23	2	Washer-Plain
4:2	147-2286	2	Sleeve, Spring-Mount	13	65-7900	2	Retainer-Spring
4:3	147-2268	1	Spring-Torsion, LH	14	65-7910	2	Spacer
5	139-4326	2	Plug-Plastic	15	137-0292	1	Lower Handle ASM
6	119-4041	3	Nut-HF	15:2	138-1469	2	Bushing-Straight
7	147-2271	1	Kickstand, 26 Inch	17	3274-7	4	Screw-HSH
8	140-9362	1	Frame ASM, 26"	20	140-9294	1	Basket-Grass, GR1026
8:1		1	Frame ASM. 26" ●	20:2	121-4729	4	Plug
8:1:2	95-0715	4	Pin-Dowel	23	139-7431	1	Pin-Kickstand, Lock
8:3	325-10	2	Screw-HH	24	73-3450	1	Spring-Compression
8:4	140-9333	1	Washer, Anti-Rotation	25	32151-86	1	E-Ring

● Not serviced separately



Drum Drive Assembly

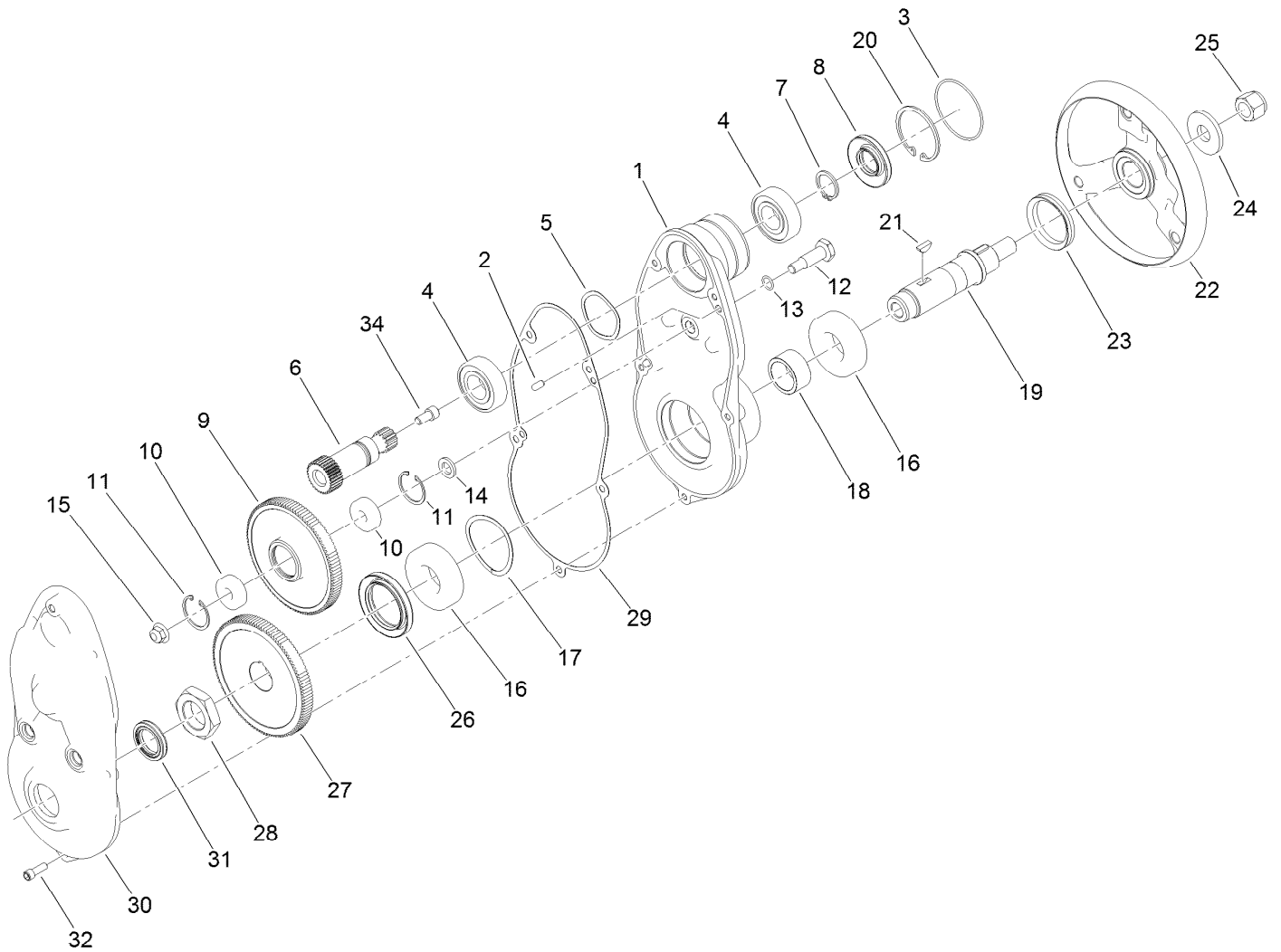
<i>Ref.</i>	<i>Part Number</i>	<i>Qty.</i>	<i>Description</i>	<i>Ref.</i>	<i>Part Number</i>	<i>Qty.</i>	<i>Description</i>
1	140-9329	1	Kit-Drum Drive Replacement	9	114-7728	8	Screw-HF
2	132-4607	14	Bolt-Shoulder, Flange	11	3296-33	1	Nut-Lock, NI
3	132-6971	1	Hub-Drum	12	65-6520	1	Spacer
4	132-4605	1	Shaft-Hex, RH	13	65-6530	1	Spacer
5	147-2257	2	Plate-Drum, Hub	14	94-5850	1	Spindle-Drum
6	138-1529	2	Drum-Traction, 26 Inch	15	132-4606	1	Shaft-Hex, LH
7	251-82	2	Bearing-Ball	16	353-989	4	Plug-Hex, Hollow
8	253-159	2	Seal	16:1	237-42	1	O-Ring



Drum Drive Replacement Kit Assembly No. 140-9329

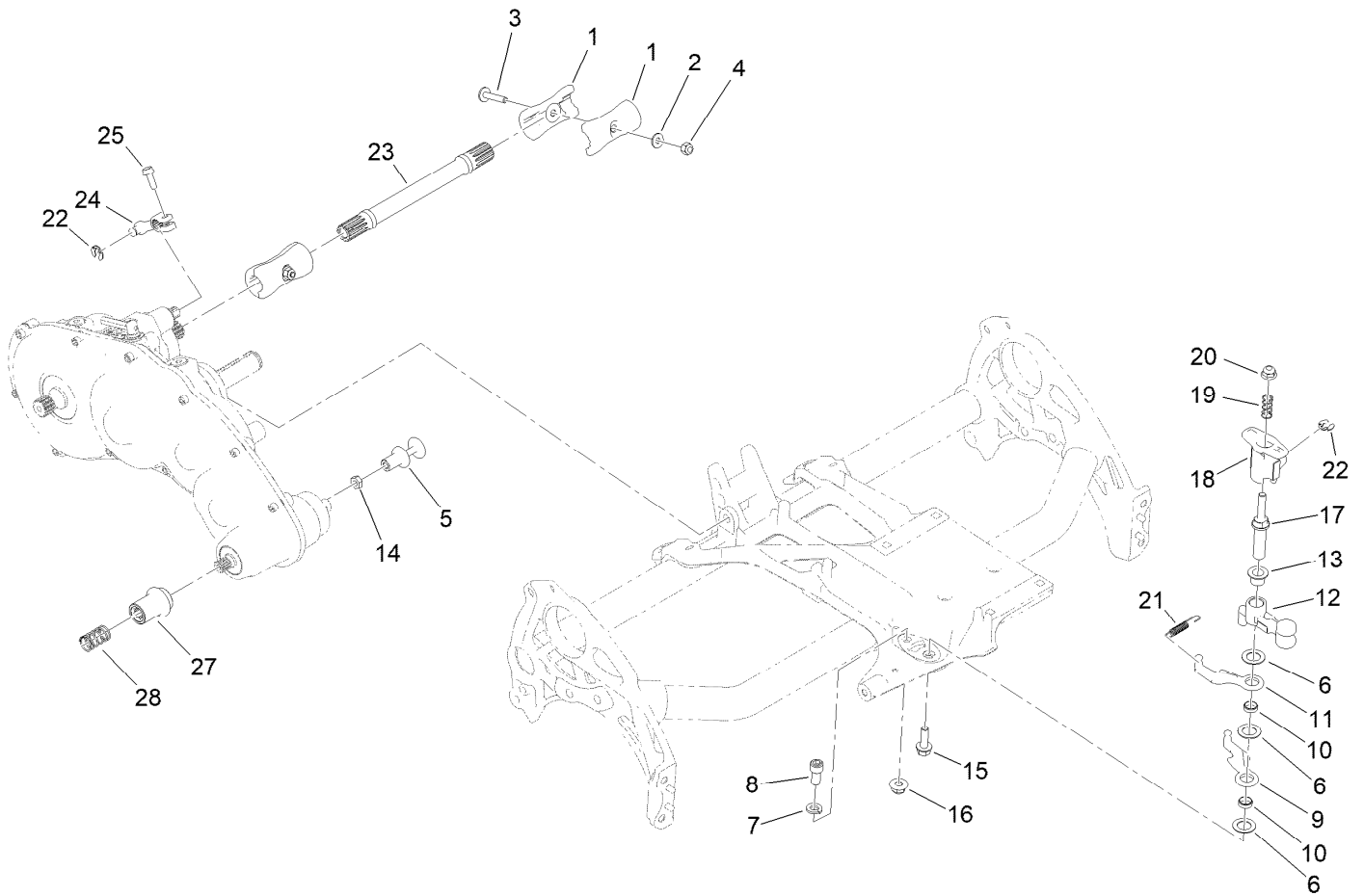
<i>Ref.</i>	<i>Part Number</i>	<i>Qty.</i>	<i>Description</i>
1		1	Drum Drive Gear Box ASM ●
2	353-989	2	Plug-Hex, Hollow
2:1	237-42	1	O-Ring

● Not serviced separately



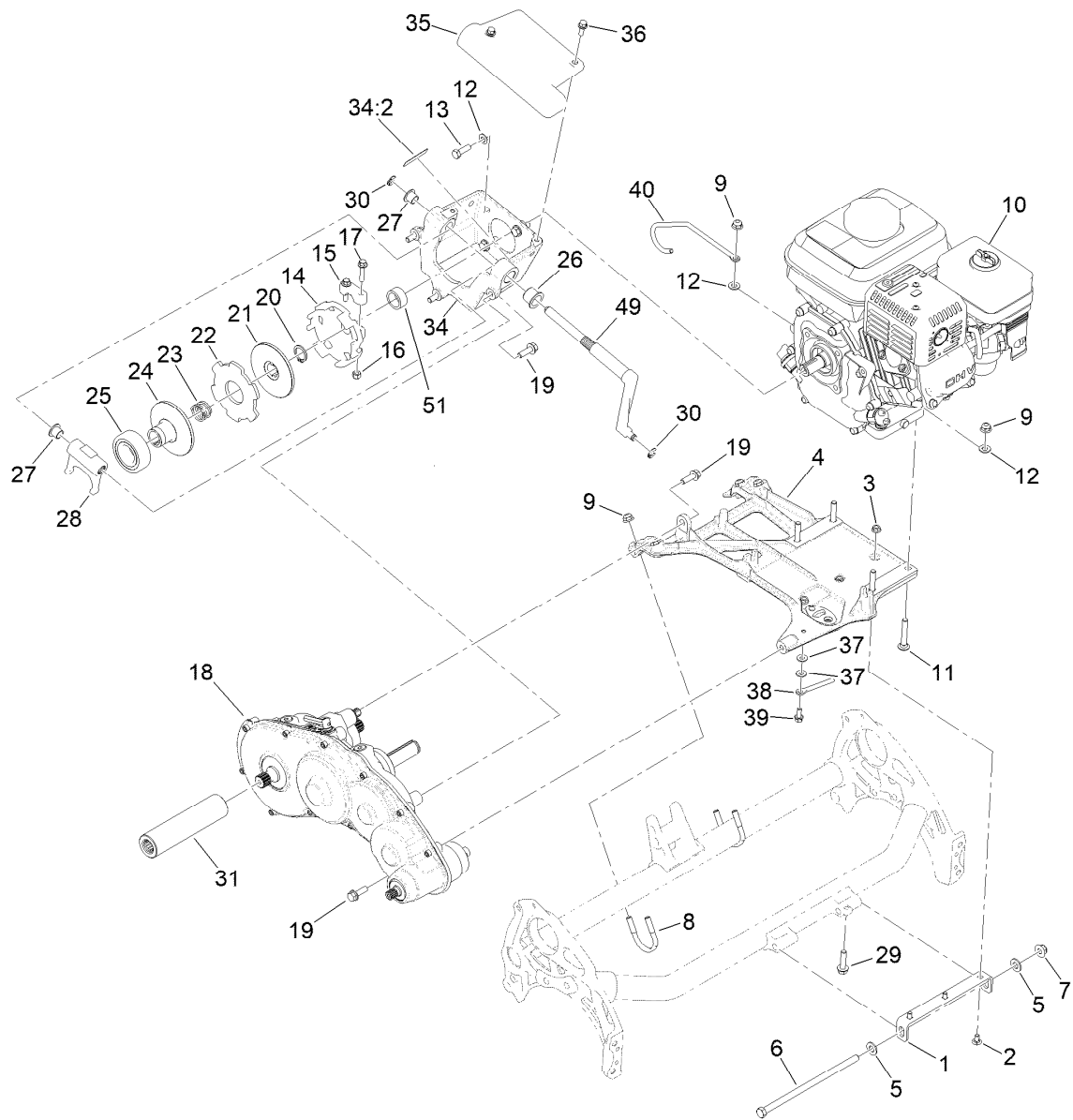
Drum Drive Gearbox Assembly

Ref.	Part Number	Qty.	Description	Ref.	Part Number	Qty.	Description
1	137-0282	1	Housing-Drive, Drum	17	115-5258	1	Spring-Wire, Flat
2	133-4591	2	Pin-Dowel	18	132-4568	1	Spacer
3	133-9082	1	O-Ring	19	133-4562	1	Shaft-Drum, Drive
4	251-82	2	Bearing-Ball	20	138-1480	1	Ring-Retaining, Int (52MM)
5	3290-485	1	Washer-Wave	21	138-1504	2	Key-Woodruff, 5MM
6	132-4565	1	Gear-Spur, 30T	22	133-9244	1	Hub-Drum, Outer
7	138-1507	1	Ring-Retaining, EXT (25MM)	23	253-161	1	Seal-V-Ring
8	138-1491	1	Seal-Oil	24	104-9216	1	Washer-Hardened
9	137-0274	1	Gear-Spur, 108T	25	126-3841	1	Nut-Hex, NI
10	49-2410	2	Bearing-Ball	26	138-1490	1	Seal-Oil
11	138-1506	2	Ring-Retaining, Int (32MM)	27	137-0275	1	Gear-Spur, 114T
12	133-4558	1	Pin-Bearing, Short	28	133-9078	1	Nut-Hex
13	80-8460	1	O-Ring	29	132-4569	1	Gasket-Drive, Drum
14	133-4553	1	Spacer-Bearing	30	137-0284	1	Cover-Drive, Drum
15	119-4042	1	Nut-HF, NI	31	133-4559	1	Seal-Oil
16	251-312	2	Bearing-Ball	32	140-9233	5	Screw-HSH
				34	3274-12	1	Screw-HSH



Transmission Assembly

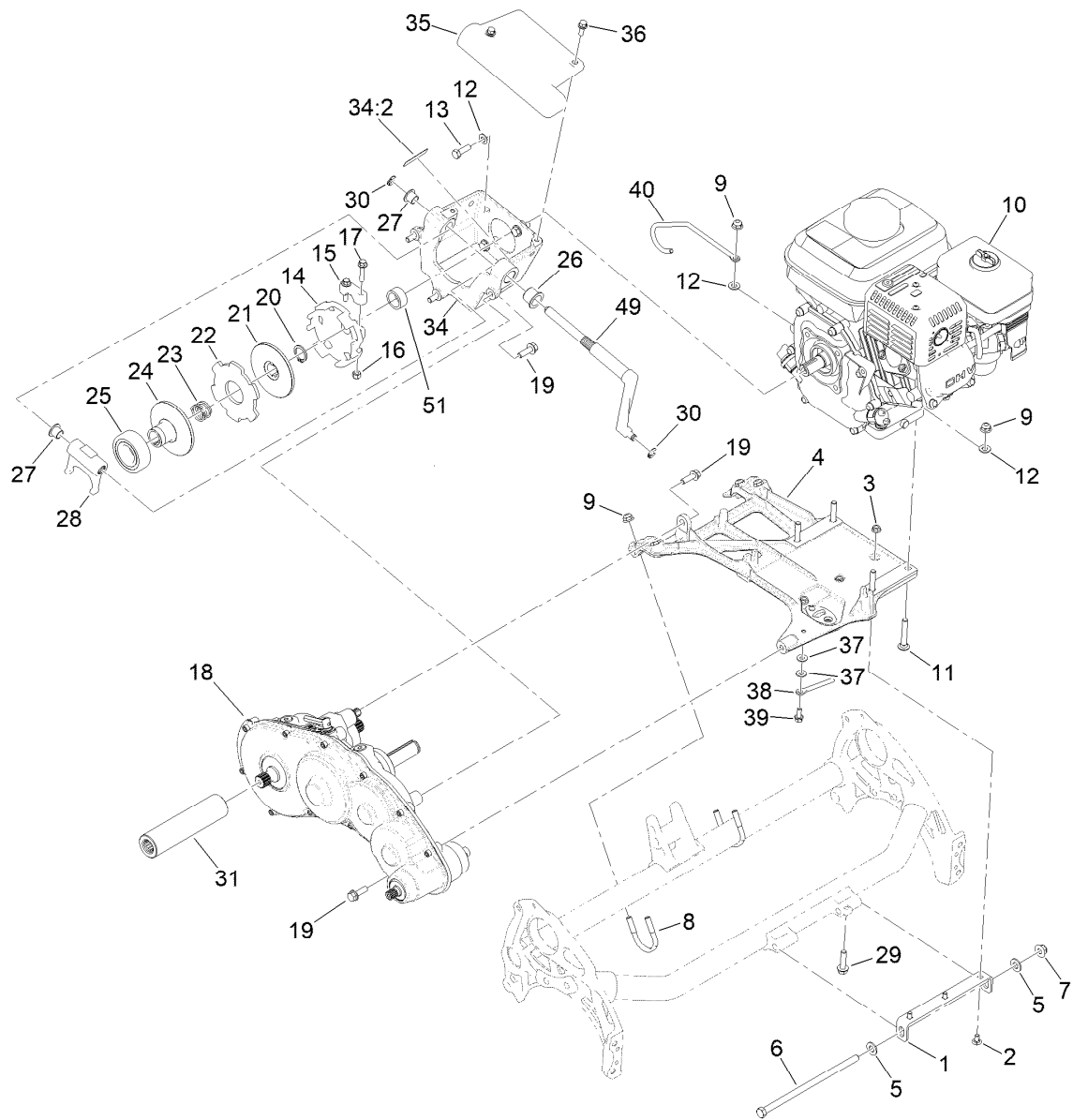
Ref.	Part Number	Qty.	Description	Ref.	Part Number	Qty.	Description
1	133-9100	4	Coupler-Splined, 4 Tooth	15	115-5142	1	Screw-HHF
2	119-8952	2	Washer	16	119-4042	1	Nut-HF, NI
3	126-8232	2	Screw-Truss Hex Skt	17	137-0298	1	Shaft-Selector, Reel
4	3296-42	2	Nut-Lock, NI	18	137-0299	1	Hub-Selector, Reel
5	133-9207	1	Adapter-Slider	19	117-1031	1	Spring-Compression
6	139-7362	3	Washer-Poly	20	119-4041	1	Nut-HF
7	3253-21	1	Washer-Lock	21	119-4609	1	Spring-Extension
8	131-8573	1	Screw-HSH	22	32151-47	2	Ring-Retaining
9	138-1523	1	Reel Lever	23	139-4328	1	Shaft-Drive, 26 Inch
10	133-9226	2	Bushing-Straight	24	133-9117	1	Lever-Brake, Cable
11	138-1524	1	Lever-Reel	25	131-6150	1	Screw-HWHTF
12	133-9206	1	Bellcrank-Reel	27	140-9366	1	Tube-Drive, Reel
13	125-5239	1	Bushing-Flange	28	133-9128	1	Spring-Compression, Coupler
14	120-9638	1	Nut-Jam				



Engine Assembly

Ref.	Part Number	Qty.	Description	Ref.	Part Number	Qty.	Description
1	138-1623-01	1	Bracket-Mount, Engine	18	140-9324	1	Kit-Transmission Replacement
2	116-5611	3	Bolt-Carrage 1/4-20 X 1/2 Short Neck	19	115-5142	5	Screw-HHF
3	32128-10	3	Nut-Lock, HHF	20	32151-33	1	Ring-Retaining, EXT
4	138-5517	1	Base-Engine	21	133-9095	1	Disc-Clutch
5	3256-24	2	Washer-Plain	22	133-9094	1	Plate-Friction
6	323-30	1	Screw-HH	23	133-9123	1	Spring-Compression, Clutch
7	119-4042	1	Nut-HF, NI	24	138-1508	1	Disc-Clutch, Slider
8	137-0301	2	Clamp-Tube	25	138-1505	1	Bearing-Sealed, Self Aligning
9	119-4041	8	Nut-HF	26	132-4089	1	Bushing
10	147-2328	1	Engine ASM, Honda ●	27	125-5239	2	Bushing-Flange
11	3230-6	4	Bolt-CARR	28	138-3548	1	Fork-Clutch
12	3256-23	8	Washer-Plain	29	112-6913	1	Screw-HHF
13	131-5919	4	Screw-HH, Patch	30	32151-47	2	Ring-Retaining
14	138-3542	1	Hub-Clutch, External	31	138-1616	1	Tube-Drive
15	138-5522	1	Clamp-Hub, Clutch	34	139-4301	1	Bell Housing ASM
16	3296-42	2	Nut-Lock, NI	34:2	120-9570	1	Decal-Warning
17	127-8639	2	Screw-HHF				

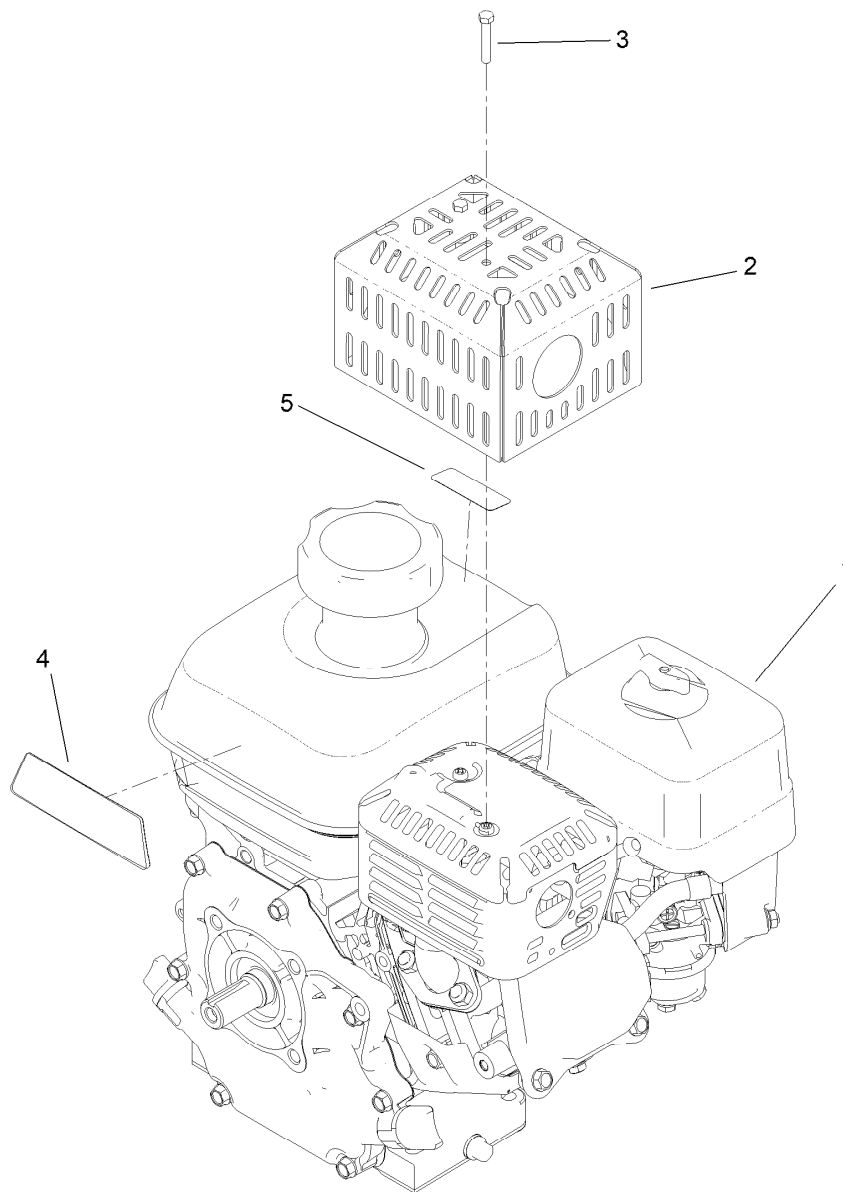
● Obtain parts from www.honda-engines.com



Engine Assembly (continued)

<i>Ref.</i>	<i>Part Number</i>	<i>Qty.</i>	<i>Description</i>	<i>Ref.</i>	<i>Part Number</i>	<i>Qty.</i>	<i>Description</i>
35	138-5545	1	Cover-Clutch	39	3234-33	1	Screw-HHF
36	119-1138	2	Screw-HHF	40	139-4309	1	Guide-Cable
37	3256-22	2	Washer-Flat	49	138-3549	1	Shaft-Fork
38	138-1591	1	Guide-Cable	51	147-2265	1	Spacer-Clutch

● Obtain parts from www.honda-engines.com

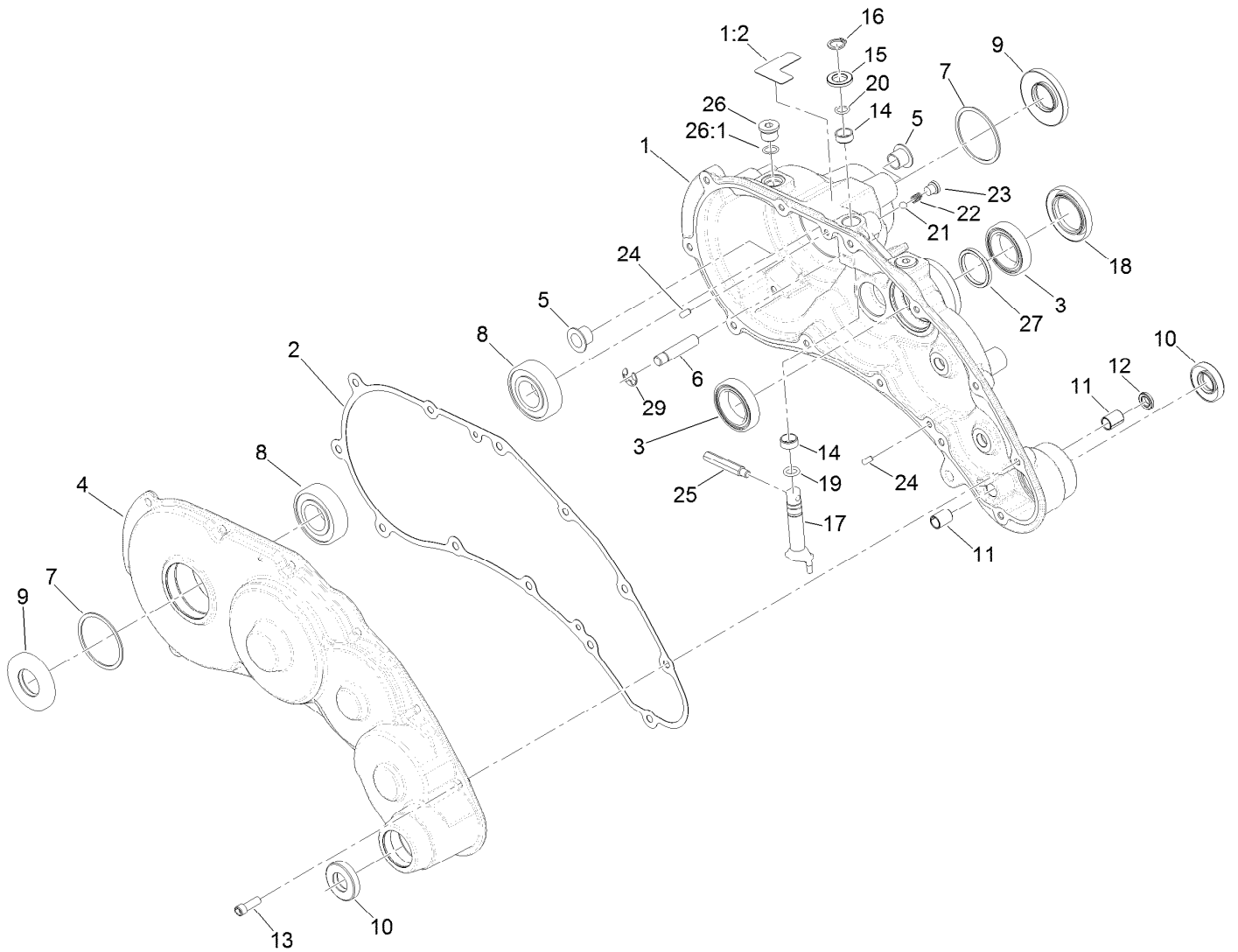


Engine Assembly No. 147-2328

Ref.	Part Number	Qty.	Description
1		1	Engine ASM, Honda ■●
2	138-2128-03	1	Guard-Muffler
3	87-5150	2	Screw-HH
4	138-2138	1	Decal-Warning, Engine
5	130-8322	1	Decal-Warning, Ethanol

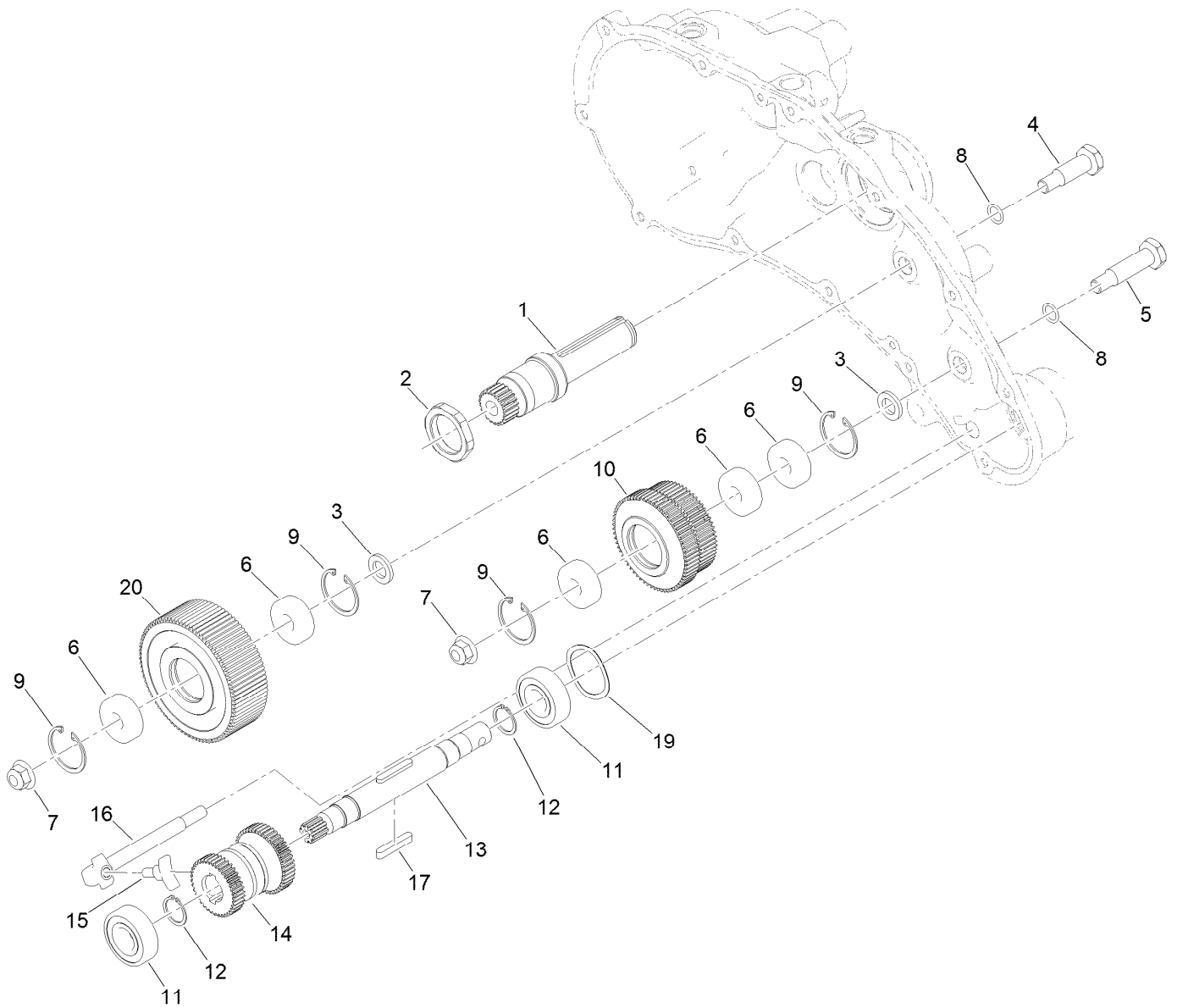
● Not serviced separately

■ Obtain parts from www.honda-engines.com



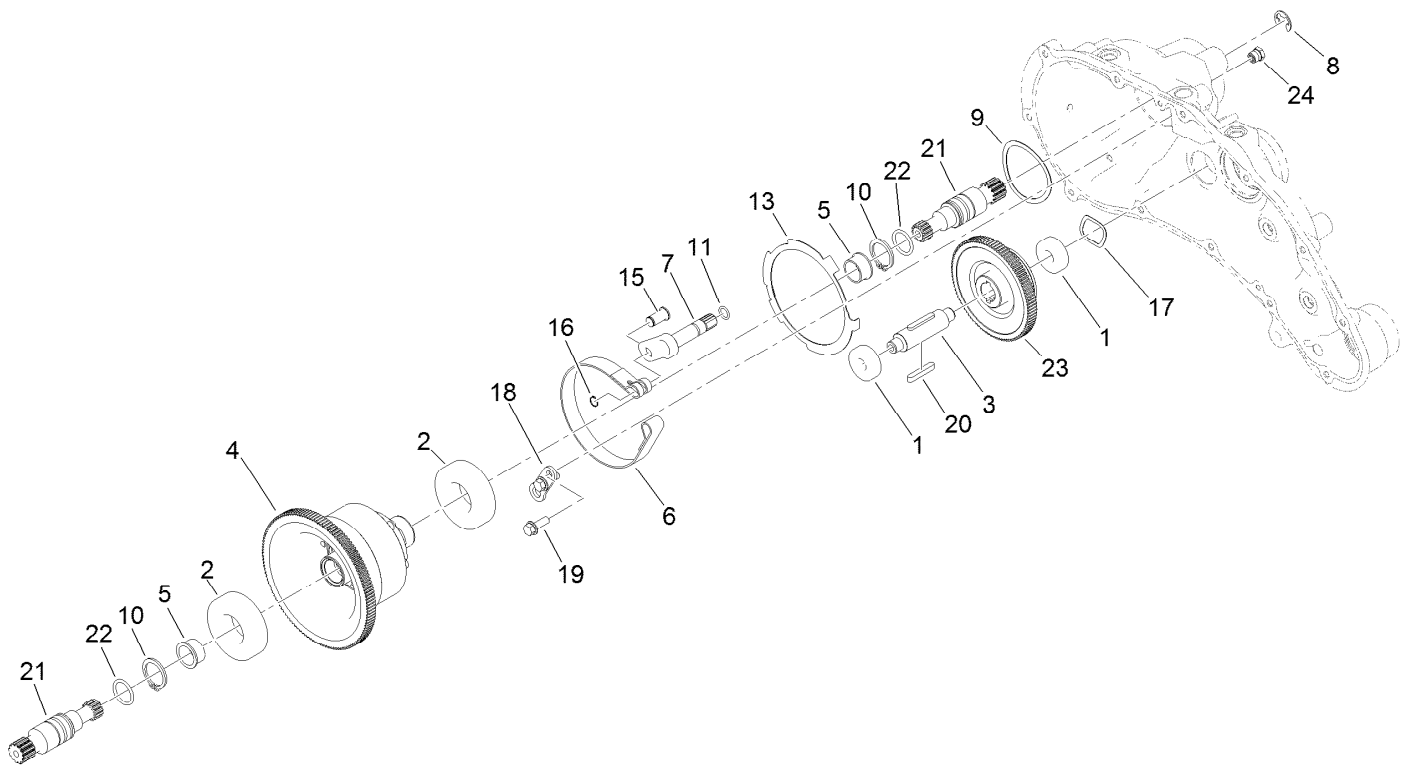
Transmission Gearbox Assembly No. 140-9324 Transmission Case Assembly

<i>Ref.</i>	<i>Part Number</i>	<i>Qty.</i>	<i>Description</i>	<i>Ref.</i>	<i>Part Number</i>	<i>Qty.</i>	<i>Description</i>
1	139-4306	1	Transmission Housing ASM	15	108-5059	1	Spacer-Bushing
1:2	138-1644	1	Decal-Release, Traction	16	32151-61	1	Ring-Retaining
2	132-4551	1	Gasket-Transmission	17	130-6816	1	Shaft-Selector, Traction
3	121-9281	2	Bearing-Ball	18	140-9325	1	Seal-Grease, High Temp
4	138-1603	1	Transmission Cover ASM	19	131-1879	1	O-Ring Seal
5	125-5239	2	Bushing-Flange	20	237-22	1	O-Ring
6	133-9122	1	Pin-Mount, Brake	21	105-2442	1	Ball-Detent
7	32151-92	2	Ring-Retaining	22	105-2443	1	Spring-Detent
8	251-82	2	Bearing-Ball	23	131-1825	2	Plug-ORB
9	133-9075	2	Seal-Oil	24	121-9249	2	Pin-Dowel
10	130-9463	2	Seal-Oil	25	133-9149	1	Pin-Groomer
11	131-3038	2	Bushing-Sleeve	26	353-989	2	Plug-Hex, Hollow
12	131-3126	1	Seal-Oil	26:1	237-42	1	O-Ring
13	140-9233	12	Screw-HSH	27	138-1496	1	Spacer
14	121-4738	2	Bushing-Straight	29	105-7004	1	E-Ring



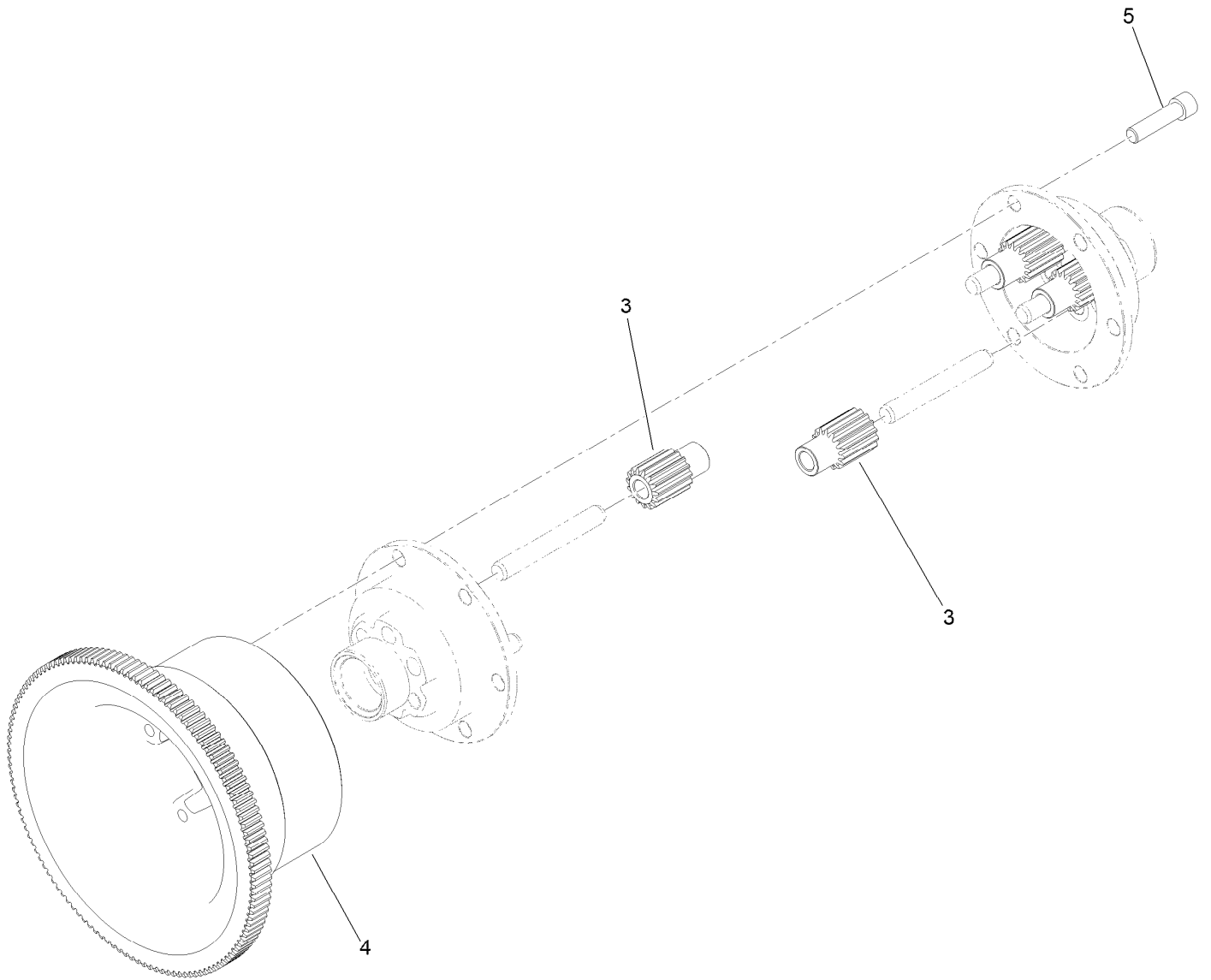
Transmission Gearbox Assembly No. 140-9324 Reel Drive Assembly

<i>Ref.</i>	<i>Part Number</i>	<i>Qty.</i>	<i>Description</i>	<i>Ref.</i>	<i>Part Number</i>	<i>Qty.</i>	<i>Description</i>
1	138-1509	1	Shaft-Input, 22T	11	38-7820	2	Bearing-Ball
2	138-1495	1	Nut-Lock, Thin	12	138-1629	2	Ring-Retaining, EXT (17MM)
3	133-4553	2	Spacer-Bearing	13	139-4359	1	Shaft-Drive, Reel
4	133-4558	1	Pin-Bearing, Short	14	130-6834	1	Gear-Spur, Slider
5	133-4557	1	Pin-Bearing, Long	15	133-9120	1	Shoe-Clutch, Reel
6	49-2410	5	Bearing-Ball	16	133-9121	1	Actuator-Clutch, Reel
7	104-8301	2	Nut-HF, NI	17	103-2739	2	Key
8	80-8460	2	O-Ring	19	131-3170	1	Spring-Wave
9	138-1506	4	Ring-Retaining, Int (32MM)	20	137-0273	1	Gear-Spur, 85T
10	137-0272	1	Gear-Spur, 60T/65T				



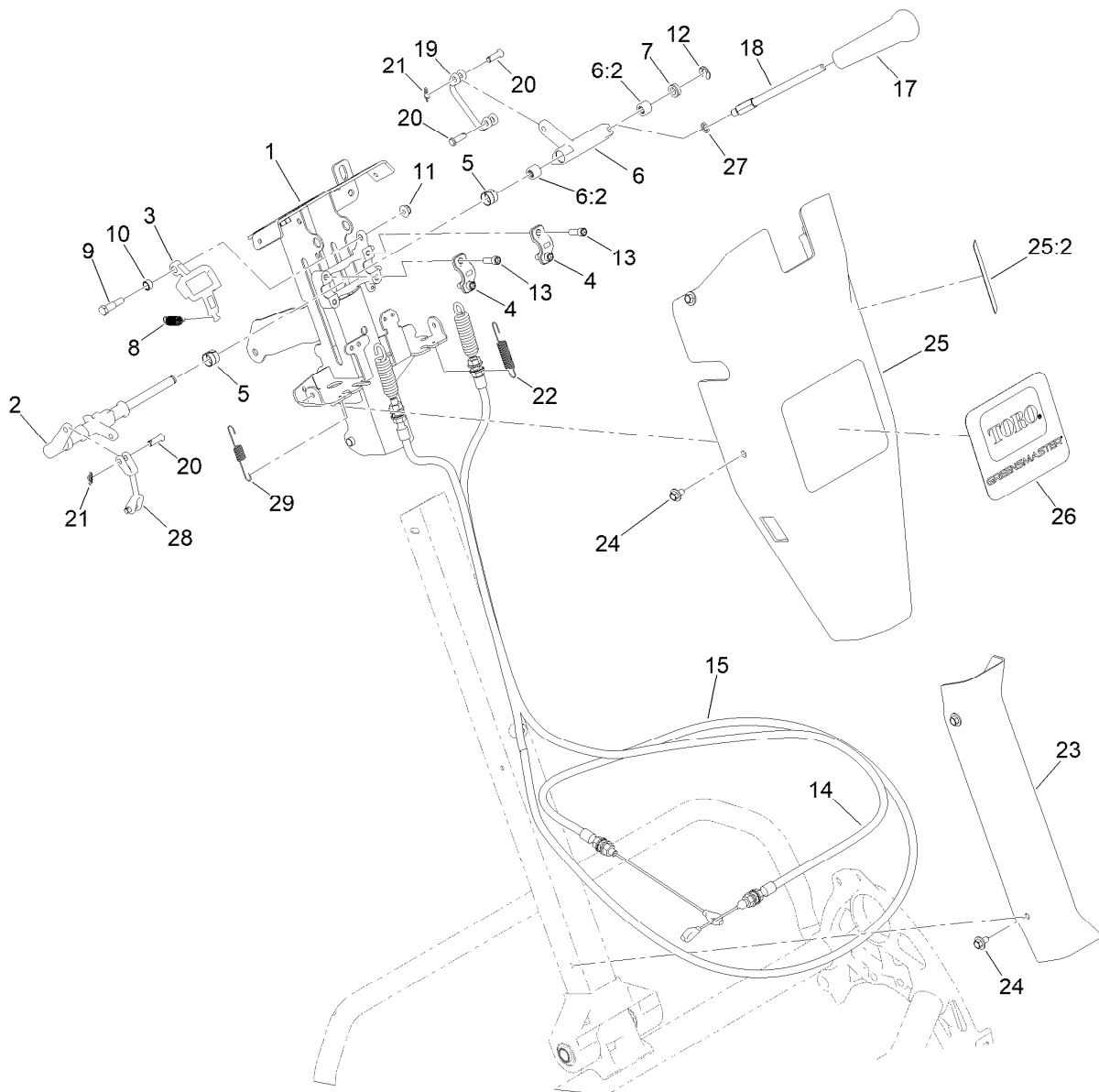
Transmission Gearbox Assembly No. 140-9324 Traction Drive Assembly

<i>Ref.</i>	<i>Part Number</i>	<i>Qty.</i>	<i>Description</i>	<i>Ref.</i>	<i>Part Number</i>	<i>Qty.</i>	<i>Description</i>
1	49-2410	2	Bearing-Ball	13	140-9236	1	Plate-Retainer, Brake
2	251-312	2	Bearing-Ball	15	120-9687	1	Pin-Clevis, Brake
3	137-0236	1	Shaft-Slider, Neutral	16	32120-46	1	Ring-Retaining
4	132-4555	1	Differential ASM	17	112-5163	1	Washer-Wave
5	256-252	2	Bearing-Flange	18	140-9279	1	Plate-Retainer, Pin
6	140-9277	1	Band-Brake	19	119-1138	2	Screw-HHF
7	132-4550	1	Lever-Brake	20	103-2739	2	Key
8	32120-47	1	Ring-Retaining, External	21	130-6841	2	Shaft-Differential
9	115-5258	1	Spring-Wire, Flat	22	237-159	2	O-Ring
10	32151-36	2	Ring-Retaining	23	137-0276	1	Gear-Spur, Neutral (93T)
11	237-22	1	O-Ring	24	133-4589	1	Fitting-Plug



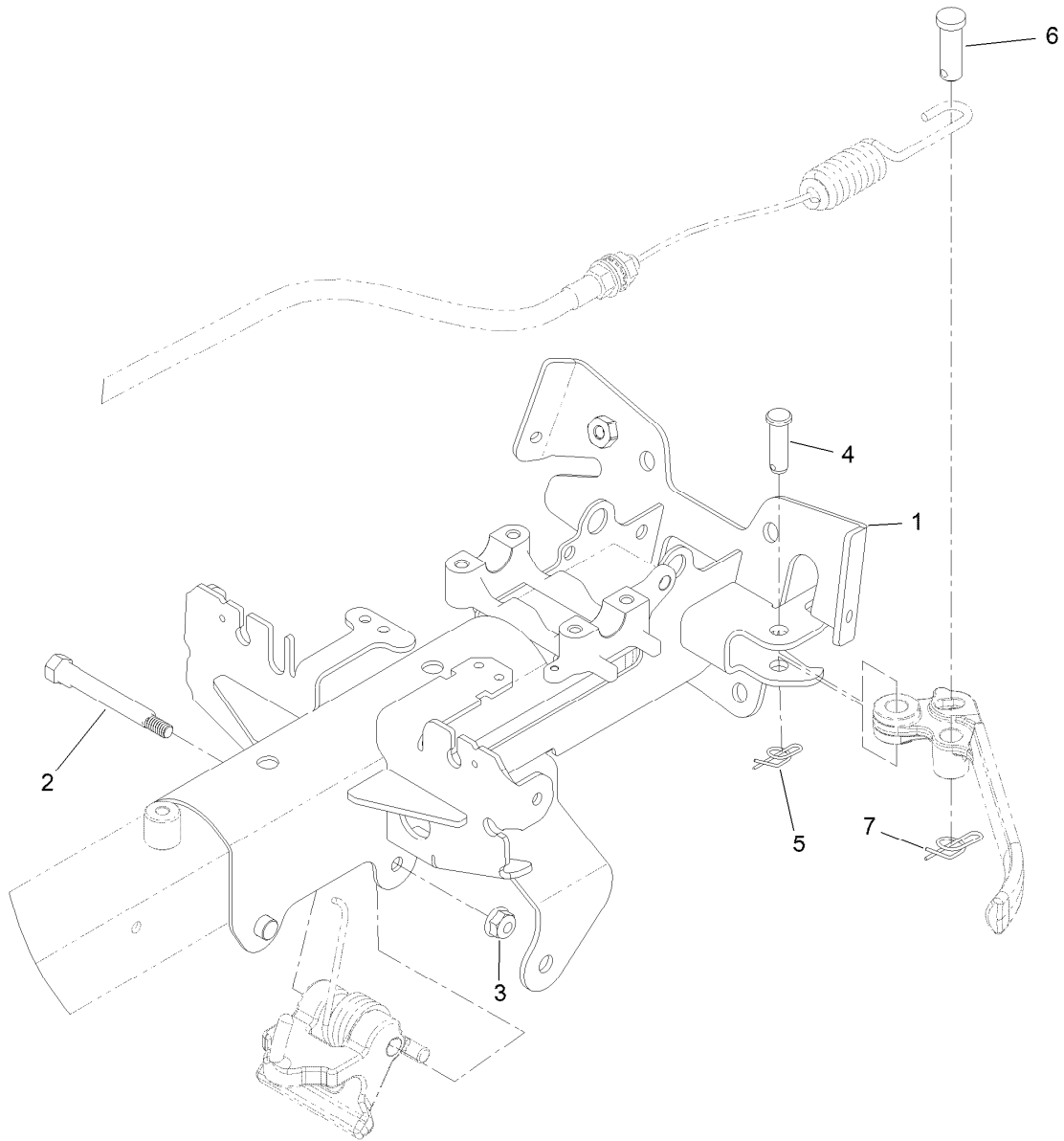
Differential Assembly No. 132-4555

<i>Ref.</i>	<i>Part Number</i>	<i>Qty.</i>	<i>Description</i>
3	130-6840	6	Gear-Spur, Differential
4	137-0294	1	Gear-Differential, 127T
5	3274-26	6	Screw-HSH



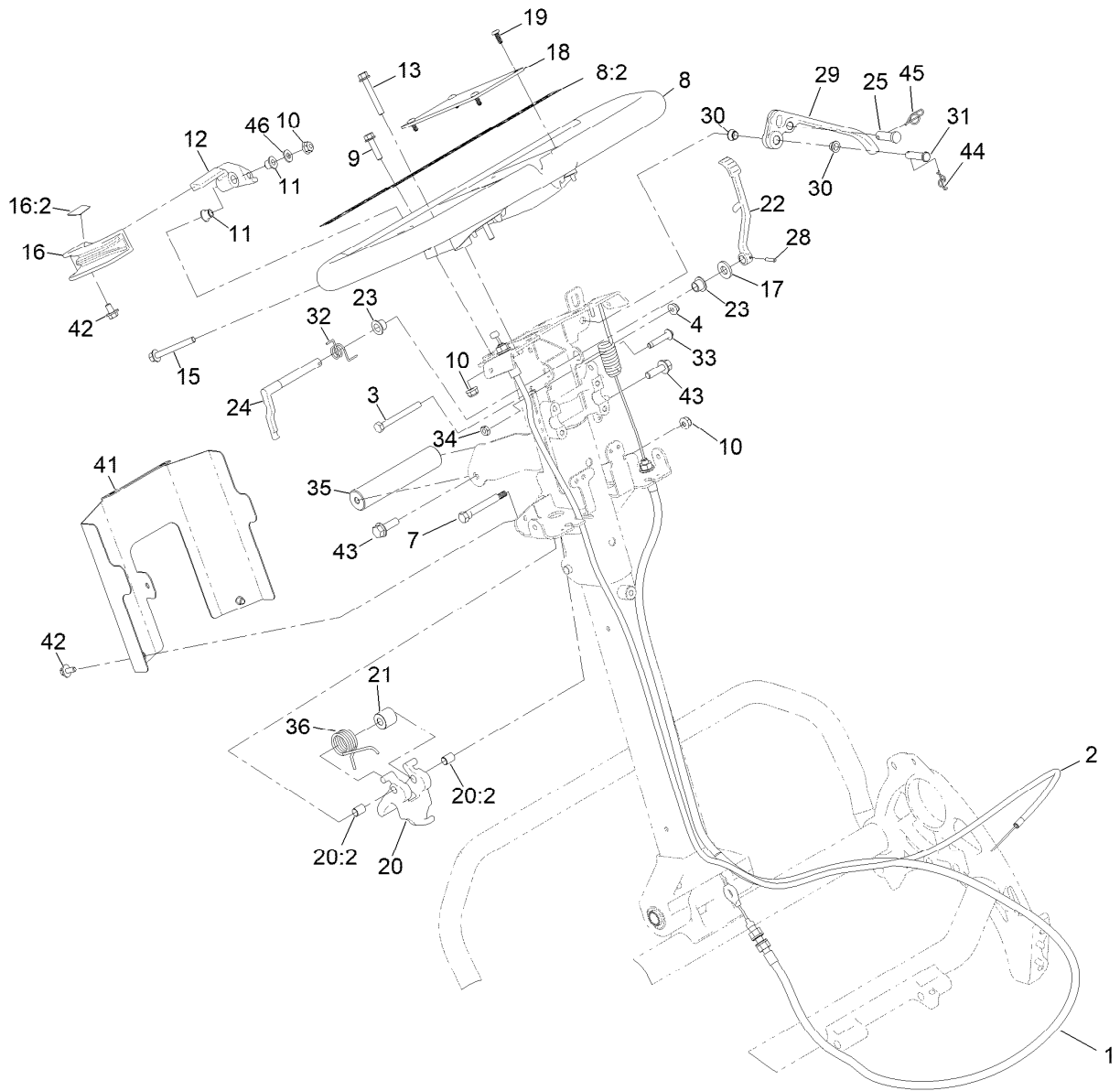
Reel Controls and Covers Assembly

Ref.	Part Number	Qty.	Description	Ref.	Part Number	Qty.	Description
1	147-2288	1	Kit- Upper Receiver Replacement	15	140-9330	1	Cable-Reel Engagement
2	140-9305	1	Shaft-Main, Controls	17	104-9760	1	Knob-Black
3	137-0266	1	Cam-Latch, Upper	18	137-0190	1	Rod-Handle, Reel Lever
4	138-1513	2	Clamp-Shaft, Control	19	137-0232	1	Connector-Clevis
5	137-0263	2	Bushing-Split	20	1-808265	4	Pin-Clevis
6	137-0312	1	Reel Lever ASM	21	138-1587	2	Clip-Pin, Cotter
6:2	138-1637	2	Bearing-Needle	22	138-1536	1	Spring-Extension
7	131-3187	1	Seal-V-Ring	23	138-1479	1	Cover-Handle, Lower
8	140-3410	1	Spring-Extension	24	46-6810	8	Screw And Washer ASM
9	137-0313	1	Screw-Shoulder	25	139-4304	1	Control Upper Cover ASM
10	137-0346	1	Spacer-Latch, Bail	25:2	138-1589	1	Decal-Reel Drive Engagement
11	104-7201	1	Nut-HF, NI	26	138-1581	1	Decal-Greensmaster 1026
12	32151-47	1	Ring-Retaining	27	75-5470	1	Spacer-Bearing
13	140-9233	4	Screw-HSH	28	138-1592	1	Connector-Clevis
14	137-0180	1	Cable-Clutch	29	140-3417	1	Spring-Extension



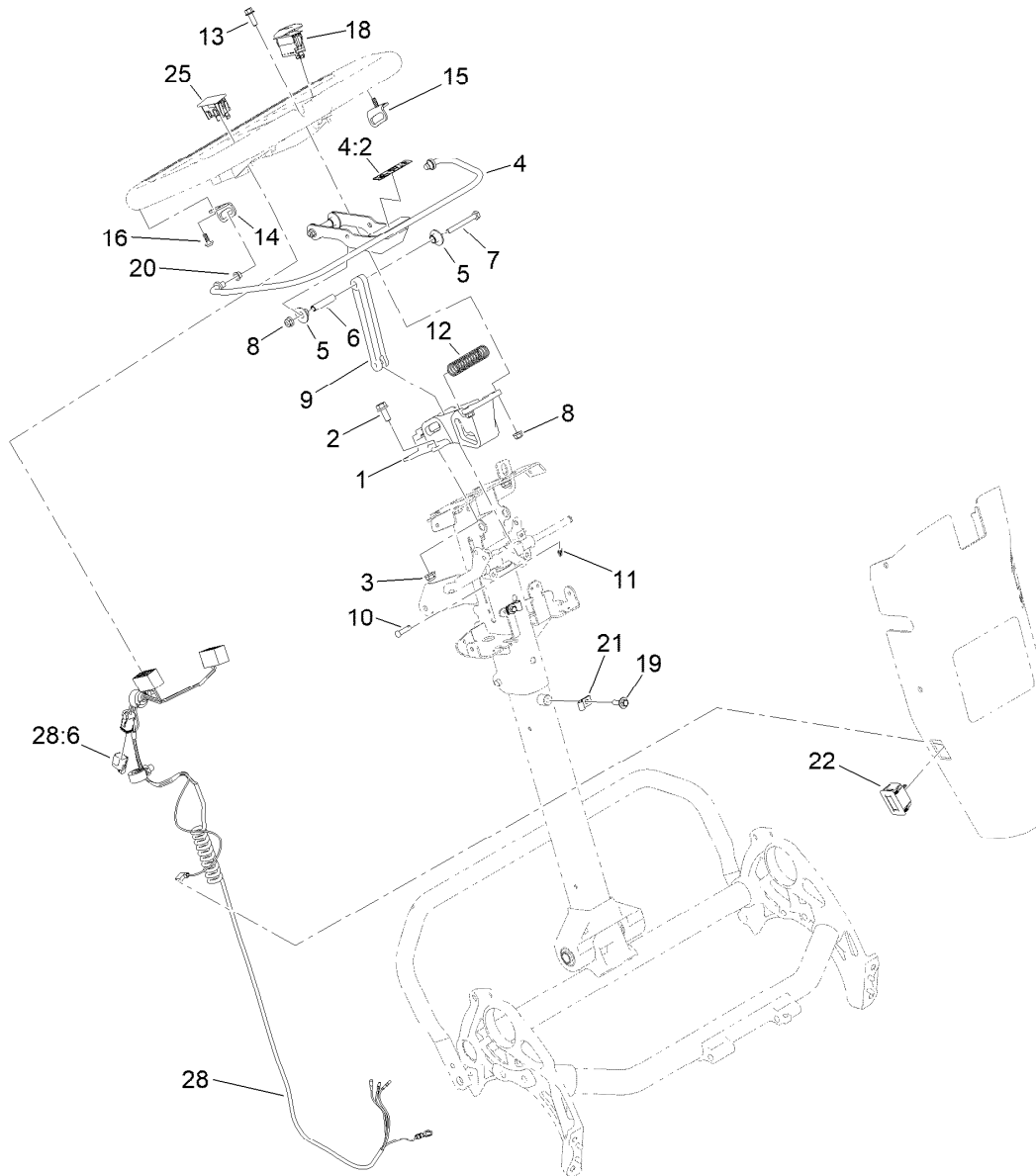
Upper Receiver Assembly No. 147-2288

<i>Ref.</i>	<i>Part Number</i>	<i>Qty.</i>	<i>Description</i>
1	147-2284-0P	1	Upper Receiver, Welded
2	147-2269	1	Cam-Handle, Pivot
3	119-4040	1	Nut-HF, NI
4	283-61	1	Pin-Yoke
5	116-6639	1	Pin-Cotter, Locking
6	1-808285	1	Pin-Clevis
7	140-9312	1	Pin-Cotter, Locking



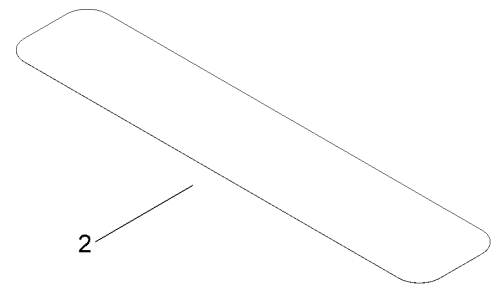
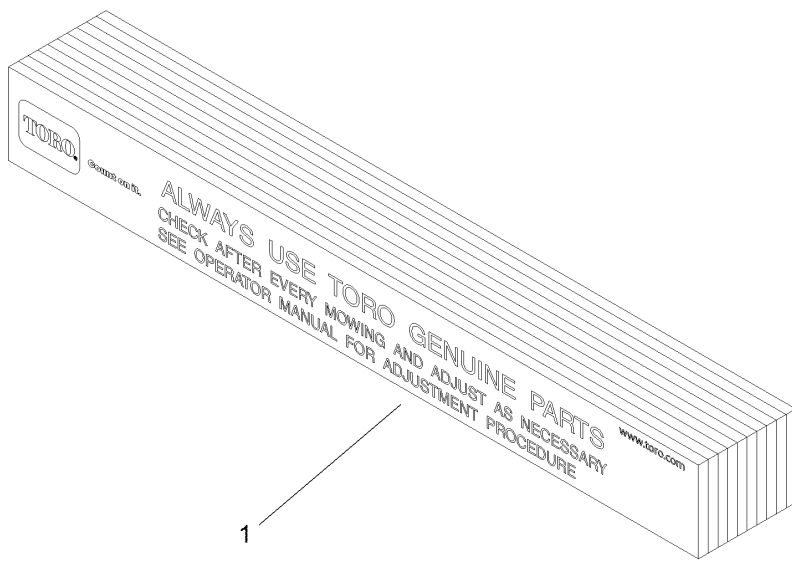
Upper Handle Assembly

Ref.	Part Number	Qty.	Description	Ref.	Part Number	Qty.	Description
1	140-9318	1	Cable ASM, Brake	21	140-9335	1	Spacer-Spring
2	137-0182	1	Cable-Throttle	22	140-3377	1	Lever-Lock, Brake
3	321-15	1	Screw-HH	23	138-1514	2	Bushing-Flange
4	104-7201	1	Nut-HF, NI	24	138-1573	1	Latch-Brake
7	147-2269	1	Cam-Handle, Pivot	25	1-808285	1	Pin-Clevis
8	138-1645	1	Handle ASM	28	32121-73	1	Pin-Roll
8:2	138-5532	1	Decal-Warning, General	29	140-9298	1	Lever-Brake
9	120-4654	2	Screw-HHF	30	138-5538	2	Bushing-Flange
10	119-4040	4	Nut-HF, NI	31	283-6	1	Pin-Clevis
11	138-3538	2	Bushing-Flange	32	138-1518	1	Spring-Brake, Torsion
12	138-1636	1	Arm-Throttle	33	132-6777	1	Screw-Twh Thd Roll
13	138-5527	1	Screw-HHF	34	120-9695	1	Nut-Jam
15	140-9317	1	Screw-HHF,Lock	35	138-1535	1	Handle-Assist, Lift
16	139-4303	1	Throttle Lever ASM	36	140-9334	1	Spring-Handle, Torsion
16:2	138-5534	1	Decal-Throttle	41	138-5530-03	1	Cover-Bottom, Controls
17	100-4852	1	Washer-Hardened	42	46-6810	3	Screw And Washer ASM
18	138-5514	1	Plate-Notepad, Handle	43	115-5142	2	Screw-HHF
19	127-6843	4	Screw-Plastite, Torx Pan	44	116-6639	1	Pin-Cotter, Locking
20	137-0317	1	Handle Adjuster ASM	45	140-9312	1	Pin-Cotter, Locking
20:2	137-0308	2	Bushing-Igus	46	139-1323	1	Washer-Spcl



Traction Bail Assembly

<i>Ref.</i>	<i>Part Number</i>	<i>Qty.</i>	<i>Description</i>	<i>Ref.</i>	<i>Part Number</i>	<i>Qty.</i>	<i>Description</i>
1	138-5524	1	Mount-Handle	13	120-9678	2	Screw-HHF
2	3234-47	2	Screw-HHF	14	138-3539	1	Bracket-Bail, RH
3	119-4041	2	Nut-HF	15	138-3540	1	Bracket-Bail, LH
4	139-4302	1	Clutch Bail ASM	16	138-5775	2	Screw-Delta Point
4:2	138-5533	1	Decal-Bail, Traction	18	122-1497	1	Switch-Rocker, On-None-Off
5	138-3466	4	Bushing-Flange	19	46-6811	2	Screw-Thd Roll Sems
6	138-3465	2	Spacer-Tube	20	138-5538	2	Bushing-Flange
7	321-18	2	Screw-HH	21	2412-91	2	Clamp
8	119-4040	4	Nut-HF, NI	22	119-1347	1	Meter-Hour
9	138-5515	1	Link-Bail, Clutch	25	119-7791	1	Plug-Hole
10	353-322	1	Pin-Clevis	28	122-1416	1	Harness-Wire
11	138-1587	1	Clip-Pin, Cotter	28:6	32180-091	1	Cap-Dust, 2 Way
12	138-3468	1	Spring-Compression				



Miscellaneous Parts Assembly

<i>Ref.</i>	<i>Part Number</i>	<i>Qty.</i>	<i>Description</i>
1	125-5610	1	Paper-Reel, Toro (10 Pack)
2	140-5531	1	Shim-Toro Reel (.002In)

Attachments and Accessories

For 04840 Greensmaster 1026 Mower

Product Name	Model/Part
Wheel Kit	04123
Split Full 26in Roller	04127
Light Kit (2019+)	04135
Push Broom Kit, Walk Greensmower (2019+)	04136
Split Wiehle 26in Roller	04137
CU Light Kit Mount	04138
26in Extended Wiehle Roller (2019+)	04146
Trans Pro 80 Tow-Behind Trailer	04238
Flat Ramp	04245
Rail Ramp Kit (Update)	04247
26in Stiff Grooming Brush	04276
Turf Evaluator	04399
Universal Groomer Drive	04707
Backlap Kit	04800
26in Twin Tip Groomer Reel	04803
26in Interlace Narrow Wiehle Roller Asm	04806
26in Full Front Roller Asm	04816
26in Wide Wiehle Roller Asm	04826
8-Blade 26in Fixed EDGESERIES CU	04842
11-Blade 26in Fixed EDGESERIES CU	04843
Bedknife-Highcut	104-2646
Bedknife-Fairway	107-8181
Bedknife-Micro-Cut	112-9275
Roller Extension Kit	115-7361
Bedknife-EDGEMAX, Tournament Cut	117-1548
MVP Kit-Cutting Unit Re-Build	121-2637
Premium Engine Oil 10w30 (55 Gallon Drum)	121-6392
Premium Engine Oil 10w30 (5 Gallon Pail)	121-6393
Toro Reel Paper (10 Pack)	125-5610
26in Stiff Grooming Brush Kit	127-1549
Angle Indicator	131-6828
Angle Indicator Mount	131-6829
Grease-Synthetic	136-8595
Bedbar-26in	138-1522-01
Bedknife-EDGEMAX, 26in Microcut Short	139-4322
Bedknife-EDGEMAX, 26in Tournament Short	139-4323
Bedknife-EDGEMAX, 26in Microcut	139-4324
Access Backlap Kit	139-4342
Wireless Hour Meter Kit	139-4369
26in Interlaced Roller Scraper Asm	139-4394
26in Full Roller Scraper Asm	139-4398
26in Smooth Roller Scraper Brush Asm	139-5117
26in Interlaced Roller Scraper Brush Asm	139-5125
26in Wide Wiehle Roller Scraper Asm	139-7406
Wide Wiehle Roller Scraper Brush Asm	139-7410
Shim-TORO Reel (.002in)	140-5531

Attachments and Accessories (continued)

Blade-GR Groomer, Twin Tip (0.032in)..... 140-5580
Blade-GR Groomer, Helix (0.028in)..... 140-5581
Blade-GR Groomer, Helix (0.015" in)..... 140-5582
Bedknife-1/8in..... 93-9015
Bedknife-Tournament Cut..... 94-5885
Height-of-Cut Bar..... 94-9010
Extended HOC Arm..... 99-4286

Notes:



Count on it.