



# 42in Bagging Enhancement Kit

TimeCutter® Riding Mower

Model No. 161-4521

## Installation Instructions

Determine the left and right sides of the machine from the normal operating position.

## Preparing the Machine

### Gas Models Only

1. Park the machine on a level surface.
2. Disengage the blade-control switch.
3. Move the motion-control levers outward to the PARK position.
4. Shut off the machine and remove the key.
5. Wait for all moving parts to stop.
6. Allow machine components to cool.
7. Disconnect the spark-plug.
8. For easier access, raise the front of the machine and support it using jackstands rated for your machine.

#### **⚠ WARNING**

**Mechanical or hydraulic jacks may fail to support the machine and cause serious injury.**

**Use jack stands when supporting the machine.**

### Electric Models Only

1. Park the machine on a level surface.
2. Disengage the blade-control switch.
3. Move the motion-control levers outward to the NEUTRAL position.
4. Engage the parking brake.
5. Shut off the machine and remove the key.
6. Wait for all moving parts to stop.
7. Allow machine components to cool.
8. Remove the battery packs from the machine.
9. For easier access, raise the front of the machine and support it using jackstands rated for your machine.

#### **⚠ WARNING**

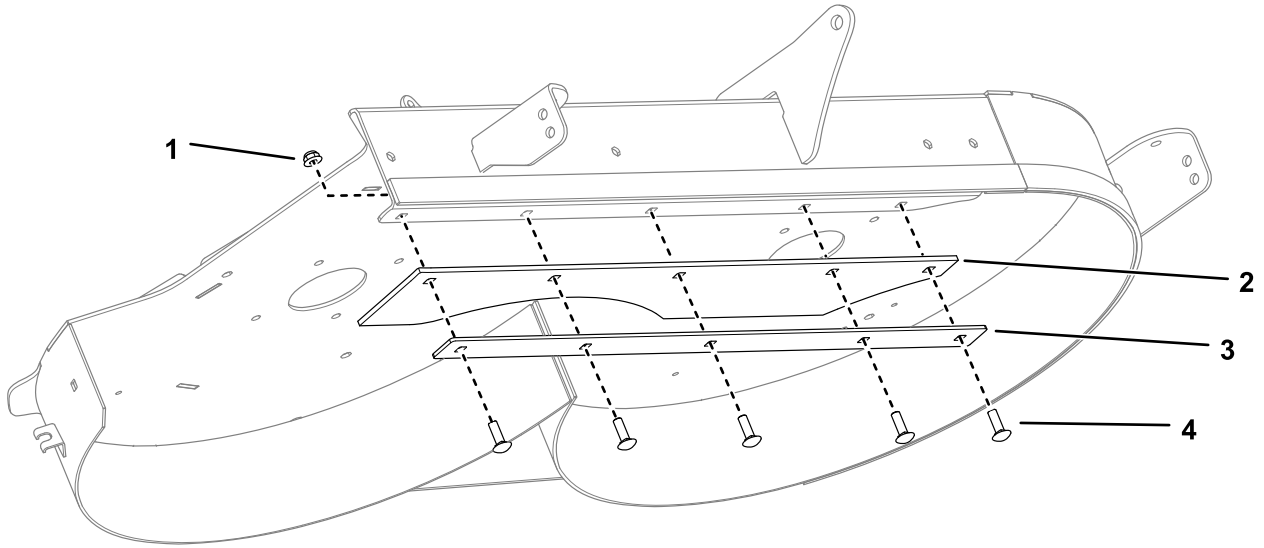
**Mechanical or hydraulic jacks may fail to support the machine and cause serious injury.**

**Use jack stands when supporting the machine.**



# Installing the Kit

Install the skirt and plate to the mower deck using 5 bolts (5/16 x 1 inch) and 5 nuts (5/16 inch).



g307610

1. Nut (5/16 inch)

2. Skirt

3. Plate

4. Bolt (5/16 x 1 inch)