



Count on it.

Parts Catalog

**TimeCutter® ZS4200T Zero Turn
Riding Mower**

Model No. 74677—Serial No. 414700000 and Up



Ordering Replacement Parts

To order replacement parts, please supply the part number, the quantity, and the description of each part desired.

Understanding Reference Numbers

Each identified part in an illustration has a reference number. The reference number for a part also appears in the parts list, along with other information about the part.

This catalog uses two special reference number formats, one to indicate parts in a service assembly and another to indicate the quantity of a given part in an illustration.

Service Assembly Reference Numbers

Parts in service assemblies have reference numbers in the form a:b. The a represents the reference number of the entire service assembly and the b represents a sequential number unique to each part within the service assembly.

For example, a wheel assembly might be identified by reference number 6, the tire by 6:1, the valve by 6:2, and the wheel by 6:3. When you order the assembly identified by reference number 6, you receive all parts identified by reference numbers 6:1, 6:2, and 6:3. However, you may also order any part individually. Reference numbers of this type appear in illustration and in parts lists.

Reference Numbers Indicating Quantity

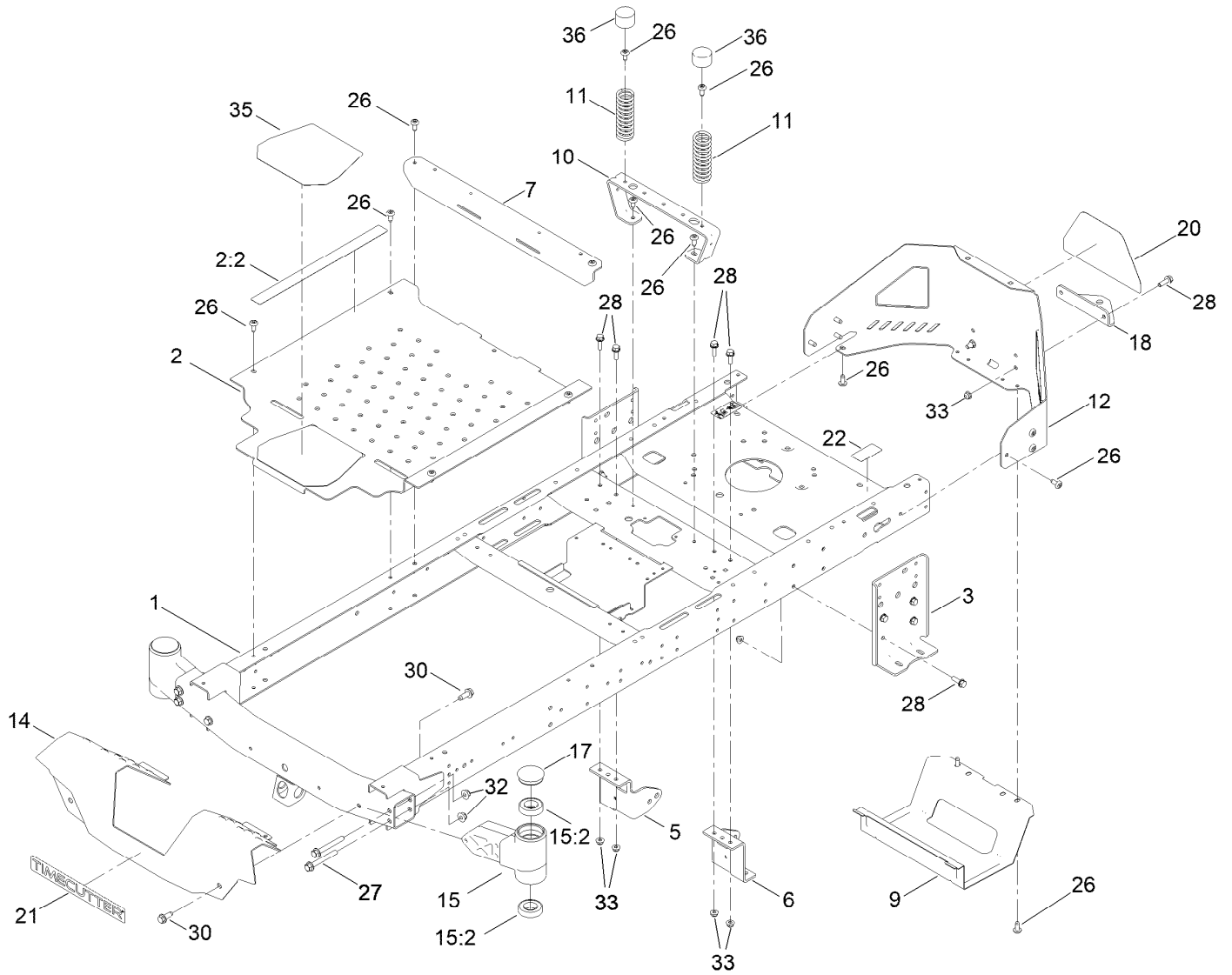
In an illustration, if a reference number indicates more than one part, the reference number has the form nX y. The n represents the quantity of the part, the X is the multiplication symbol, and the y represents the reference number.

For example, in an illustration, the reference number 2X 37 means that two of the parts identified by reference number 37 are indicated.

Contents

Frame Assembly	4
Deck Lift Assembly	6
Tire and Caster Assembly	8
Traction Drive Assembly	10
LH Hydro Transmission Assembly No. 139-7450	12
RH Hydro Transmission Assembly No. 139-7451	14
Brake Assembly	16
Rear Tire Assembly	18
Seat Assembly	20
Seat Assembly No. 147-5157	22
Motion Control Assembly	24
Engine and Muffler Assembly	26
Fuel Pod Assembly	28
Electrical Assembly	30
42in Deck and Decal Assembly	32
42 Inch Mulch Plug Assembly No. 137-5034	34
Model Specific Decal Assembly	36
Clutch Assembly	38
Attachments and Accessories	40

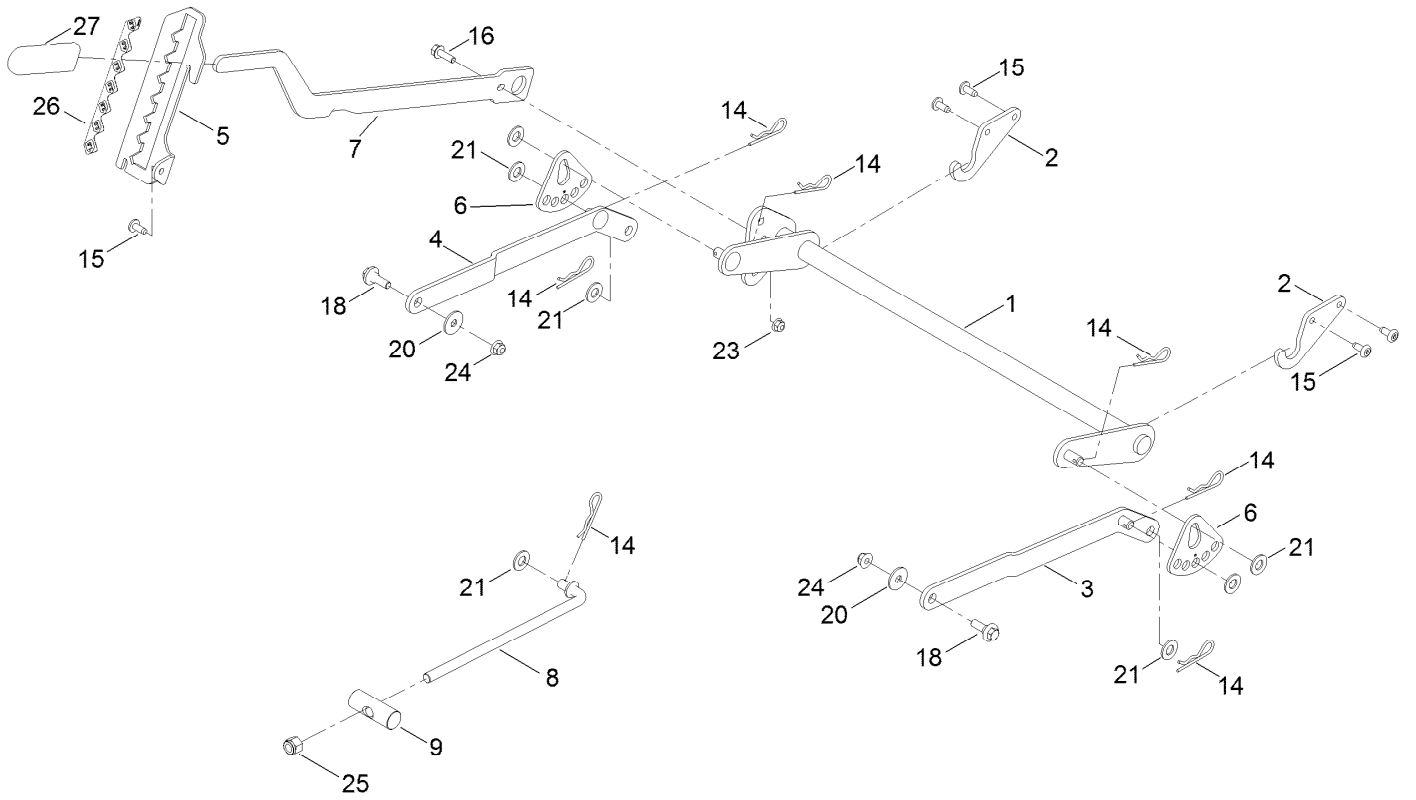
Frame Assembly



Frame Assembly (continued)

<i>Ref.</i>	<i>Part Number</i>	<i>Qty.</i>	<i>Description</i>	<i>Ref.</i>	<i>Part Number</i>	<i>Qty.</i>	<i>Description</i>
1	137-9820-01	1	Frame Assembly	17	138-7200	2	Cap-Grease
2	140-5045	1	Pan-Floor ASM	18	117-1232-03	1	Bracket-Hitch
2:2	144-5288	1	Decal-Warning	20	139-5890	1	Decal-Timecutter
3	138-7520-01	2	Plate-Mount, Hydro	21	139-2387	1	Decal-Timecutter
5	137-7020-01	1	Mount-Hydro, Front (Right)	22	121-2989	2	Decal-Bypass
6	139-3211-01	1	Mount-Hydro, Front (Left)	26	138-9753	20	Screw
7	138-9791-01	1	Brace-Cross	27	139-2429	4	Screw-HHF
9	138-0867-03	1	Guard-Muffler	28	139-2596	14	Screw-HHF
10	138-6036-03	1	Support-Seat	30	139-2428	4	Screw-HWH
11	138-2548	2	Spring-Compression	32	139-2430	4	Nut-HF, NI
12	138-9820-03	1	Guard-Engine	33	119-4041	14	Nut-HF
14	138-9827-01	1	Footrest	35	139-3220	1	Tread-Step
15	140-2098	2	Axle Stub ASM	36	701178	2	Cap-Protector
15:2	109-3678	2	Bearing-Ball				

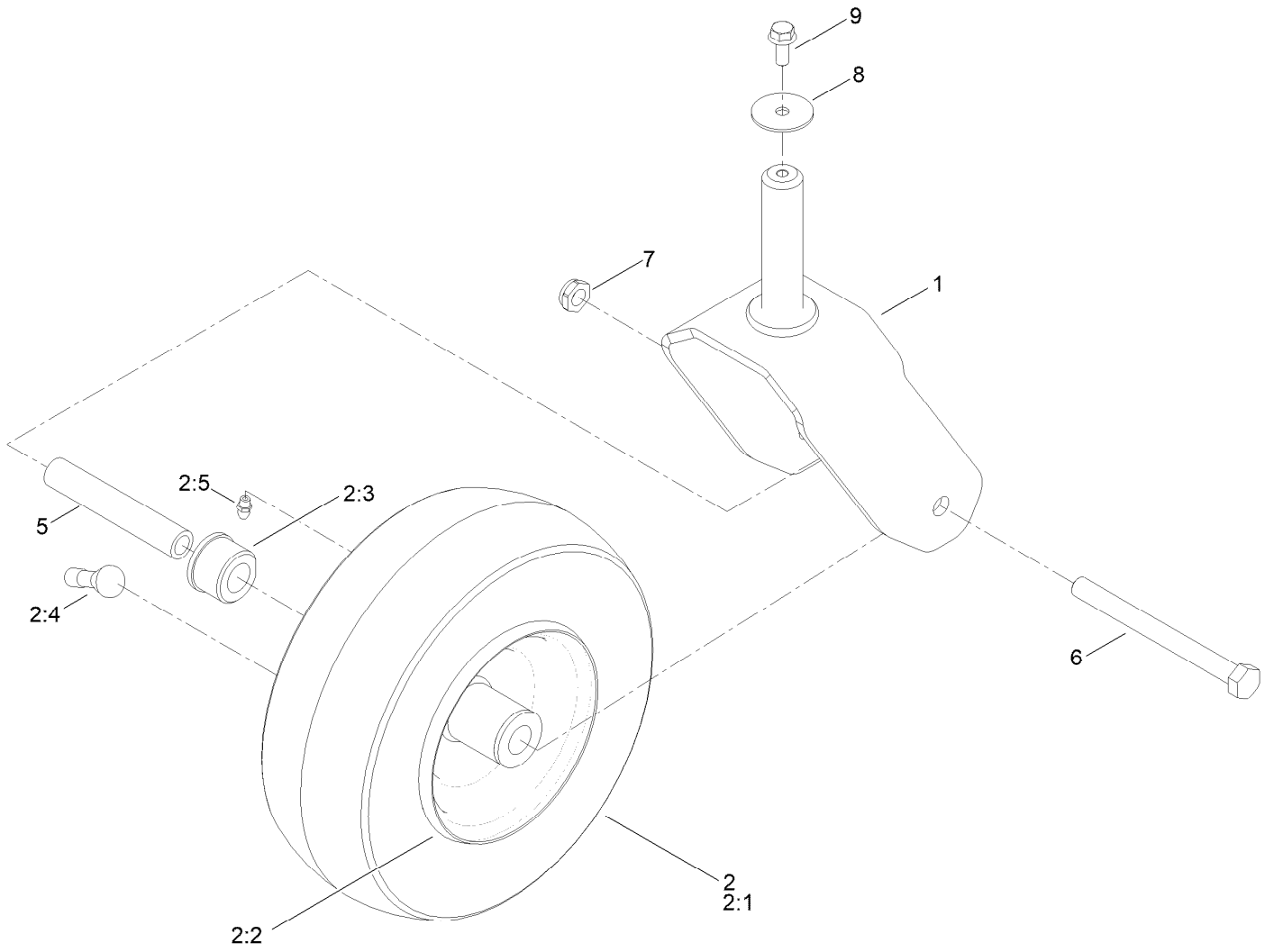
Deck Lift Assembly



Deck Lift Assembly (continued)

<i>Ref.</i>	<i>Part Number</i>	<i>Qty.</i>	<i>Description</i>	<i>Ref.</i>	<i>Part Number</i>	<i>Qty.</i>	<i>Description</i>
1	137-7093-03	1	Deck Lift ASM	15	138-9753	5	Screw
2	138-6021	2	Bracket-Pivot, Decklift	16	139-2596	1	Screw-HHF
3	137-9844	1	LH Arm ASM	18	137-9847	2	Screw-Shoulder
4	137-9846	1	RH Arm ASM	20	140-5063	2	Washer-Hardened, Cz
5	139-2350-01	1	Bracket-HOC	21	139-2611	7	Washer-Flat
6	138-2564	2	Plate-Adjustment, HOC	23	119-4041	1	Nut-HF
7	137-7087-03	1	Lever-Lift	24	119-4042	2	Nut-HF, NI
8	138-6050	1	Rod-Mount, Deck	25	139-1725	1	Nut-Hex
9	119-8810	1	Pin-Pivot	26	140-2748	1	Decal-HOC
14	139-2562	7	Pin-Hair	27	1-633268	1	Grip-Lever

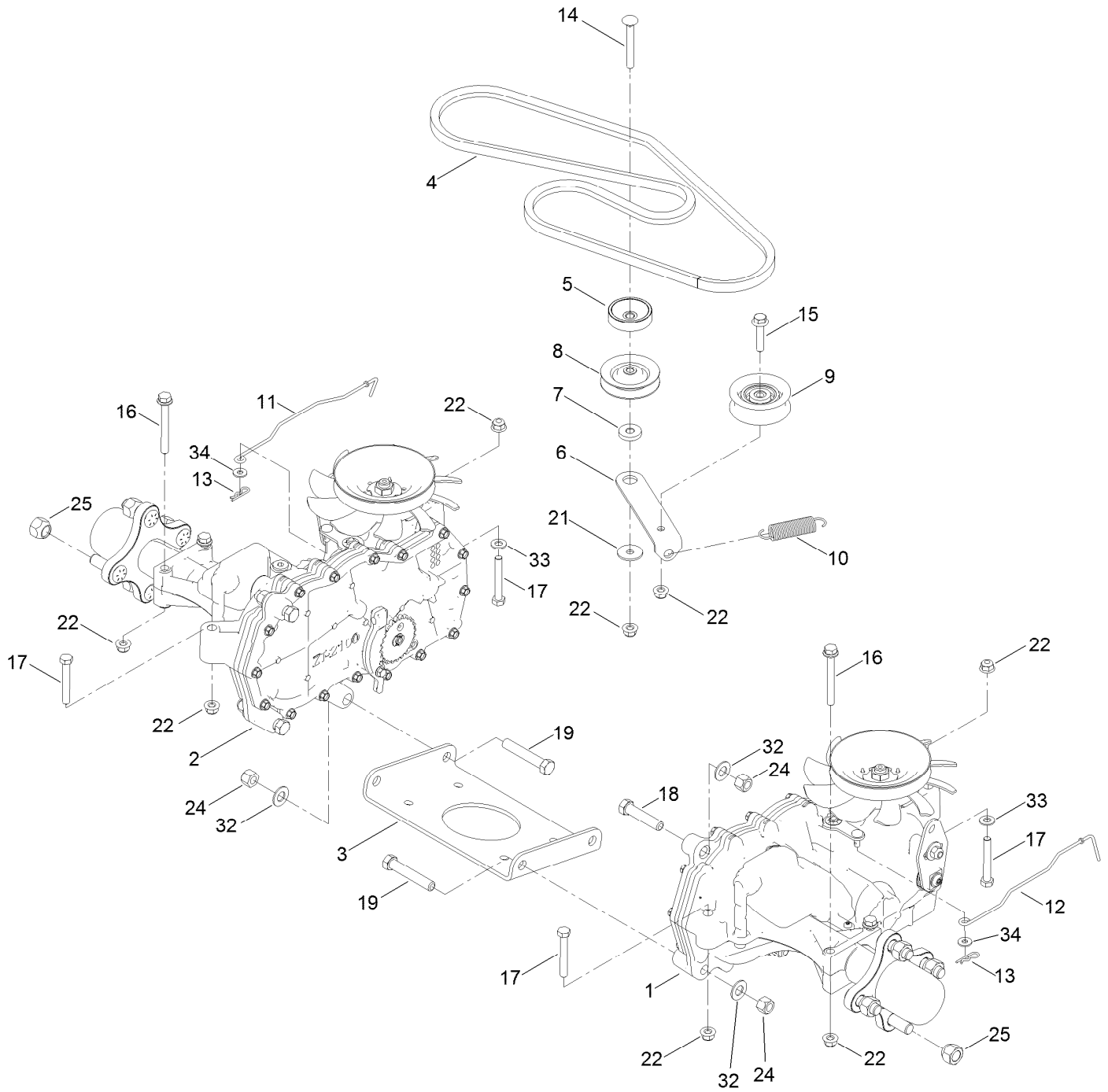
Tire and Caster Assembly



Tire and Caster Assembly (continued)

<i>Ref.</i>	<i>Part Number</i>	<i>Qty.</i>	<i>Description</i>	<i>Ref.</i>	<i>Part Number</i>	<i>Qty.</i>	<i>Description</i>
1	139-3274-01	2	Fork ASM	2:5	302-5	1	Fitting-Grease
2	147-2935	2	Tire ASM	5	138-7240	2	Bushing-Spanner
2:1	147-2936	1	Tire	6	139-2607	2	Screw-HH
2:2	147-2937	1	Rim	7	139-2617	2	Nut-Lock, NI
2:3	114-1640	2	Bushing-Flange	8	115-1151	2	Washer-Flat
2:4	232-27	1	Stem-Valve	9	139-2598	2	Screw-HHF

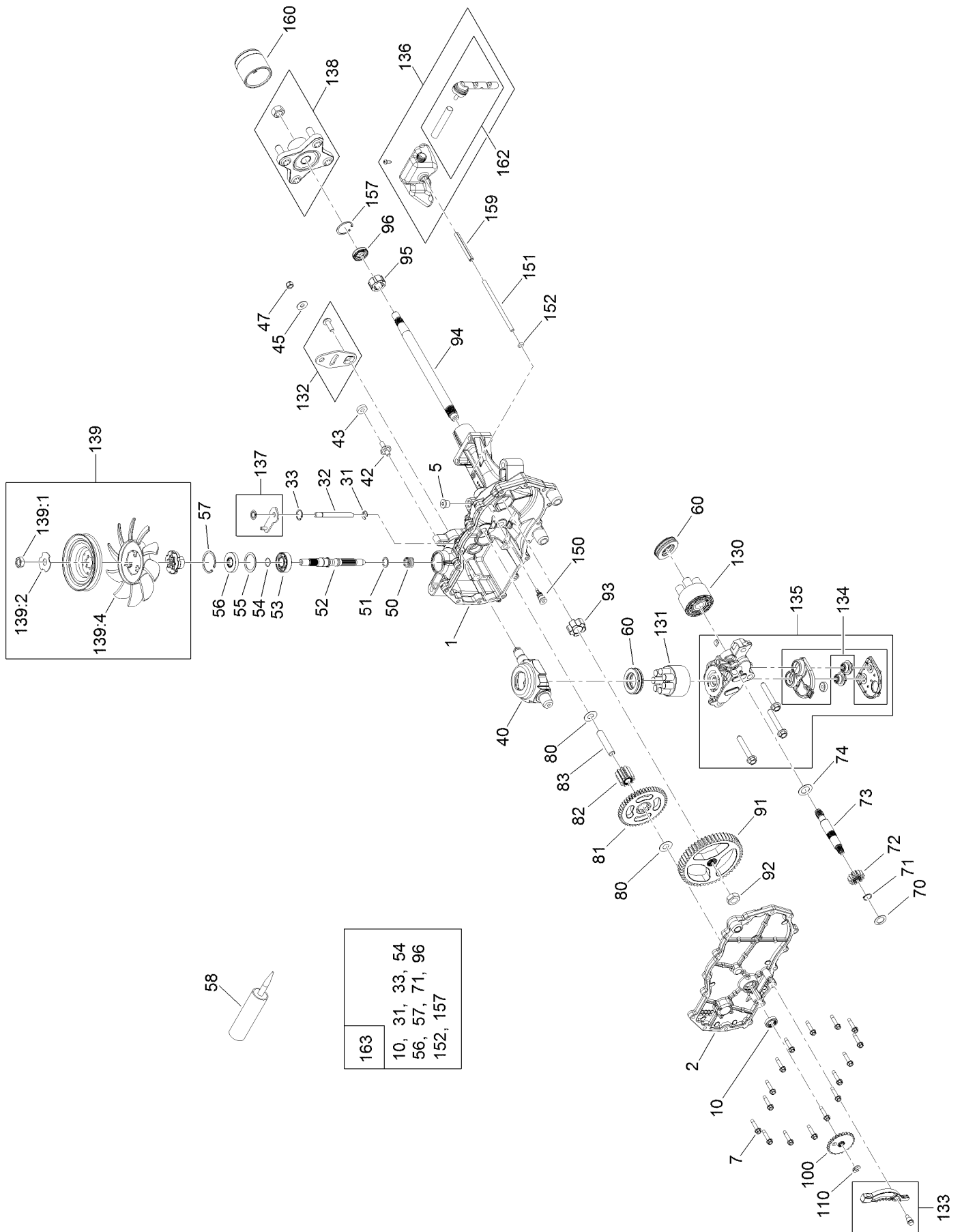
Traction Drive Assembly



Traction Drive Assembly (continued)

<i>Ref.</i>	<i>Part Number</i>	<i>Qty.</i>	<i>Description</i>	<i>Ref.</i>	<i>Part Number</i>	<i>Qty.</i>	<i>Description</i>
1	139-7450	1	LH Hydro Transaxle ASM	14	139-2588	1	Screw-CARR
2	139-7451	1	RH Hydro Transaxle ASM	15	140-5024	1	Screw-HHF
3	138-2571-03	1	Crossplate-Hydro	16	138-7590	4	Screw-HHF
4	139-2399	1	V-Belt	17	120-9738	4	Screw-HH
5	138-9809	1	Spacer	18	139-2605	2	Screw-HH
6	138-7276	1	Arm-Idler	19	139-2603	4	Screw-HH
7	138-7277	1	Spacer-Arm, Idler	21	5-4460	1	Washer-Pivot
8	68-0030	1	Idler	22	119-4041	10	Nut-HF
9	138-7597	1	Pulley-Idler, Flat	24	119-4039	6	Nut-Hex
10	137-7040	1	Spring-Return, Pedal	25	139-2564	8	Nut-Lug
11	138-7245	1	Rod-Bypass, RH	32	139-2610	6	Washer-Flat
12	138-7243	1	Rod-Bypass, LH	33	120-9683	2	Washer-Plain
13	137-3083	2	Pin-Hair	34	119-8952	2	Washer

LH Hydro Transmission Assembly No. 139-7450



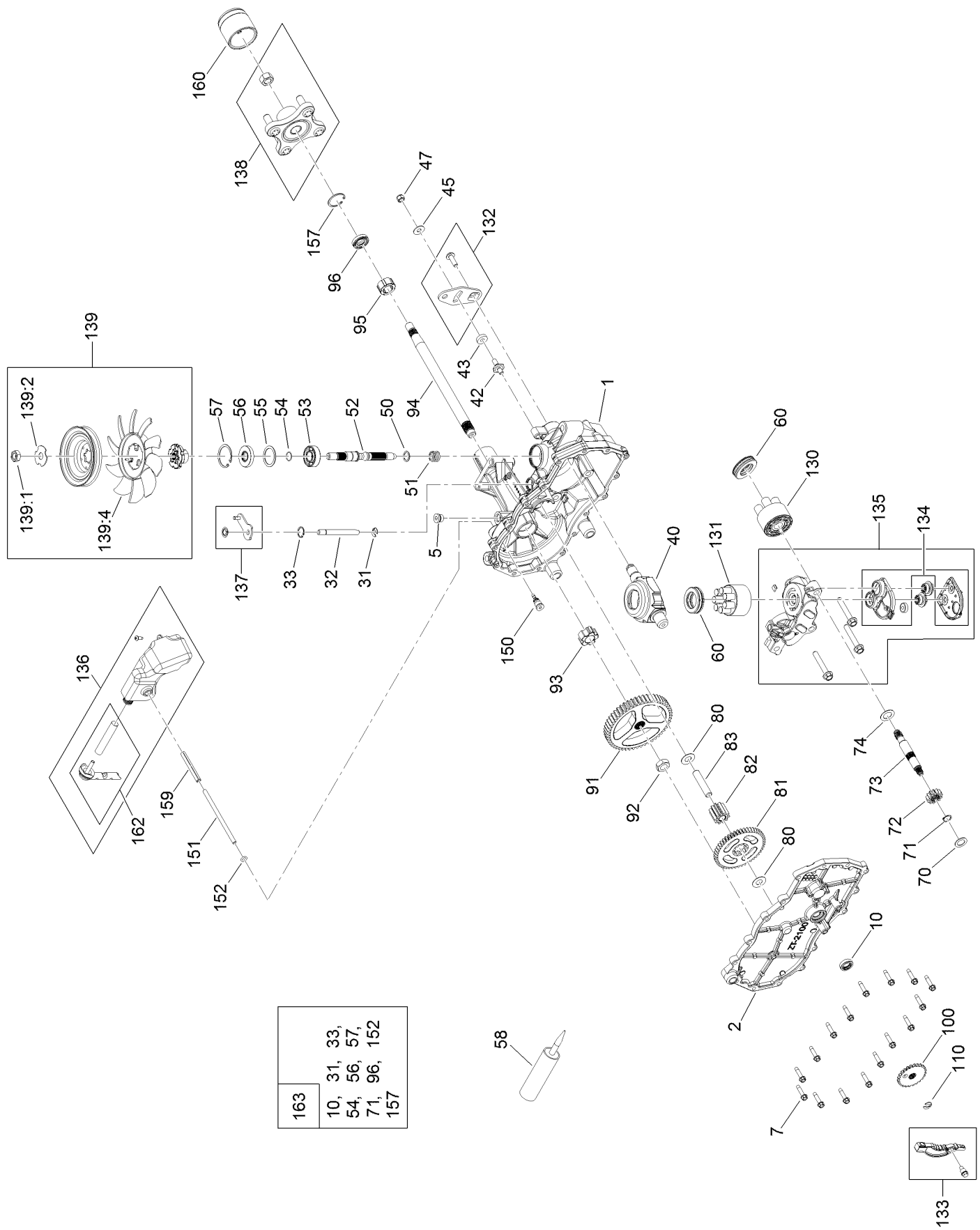
- | |
|----------------|
| 163 |
| 10, 31, 33, 54 |
| 56, 57, 71, 96 |
| 152, 157 |

LH Hydro Transmission Assembly No. 139-7450 (continued)

<i>Ref.</i>	<i>Part Number</i>	<i>Qty.</i>	<i>Description</i>	<i>Ref.</i>	<i>Part Number</i>	<i>Qty.</i>	<i>Description</i>
1	120-5532	1	Main Housing ASM	80	119-5541	1	*obs* Washer
2	120-5534	1	Housing Side Kit	81	104-5317	1	Gear-10T/48T
5	104-2189	1	Plug-Thread, Straight	82	104-5318	1	Gear-Jackshaft, 10T
7	117-5359	16	Screw-HHF	83	104-5329	1	Pin-Jackshaft
10	104-2147	1	Sealant, Silicone - Non-Flammable ●	91	120-5539	1	Gear-Bull
31	106-8677	1	Ring-Retaining, External	92	104-2142	1	Nut-HJ
32	106-8678	1	Rod-Bypass	93	115-8314	1	Bushing-Inboard
33	106-8679	1	Ring-Retaining, Internal	94	120-5540	1	Shaft-Axle
40	104-5304	1	Swashplate-Trunnion	95	120-5541	1	Bearing-Sleeve
42	104-2116	1	Stud	100	106-8694	1	Disc-Brake, Cog
43	112-9853	1	Puck-Friction	110	106-8677	1	Ring-Retaining, External
50	133-1793	1	Spring-Block	130	103-2666	1	Cylinder Block Kit
51	120-5538	1	Washer	131	110-8561	1	Pump Block ASM
52	104-5306	1	Shaft-Input	132	117-5362	1	Control Arm Kit
53	104-5311	1	Bearing-Ball	133	106-8688	1	Brake Arm Kit
54	104-5307	1	Ring-Retaining	134	112-9861	1	Center Section Filter Kit
55	104-5308	1	Spacer	135	114-1634	1	Filter Kit
56	104-5310	1	Seal-Lip	136	121-5730	1	RH Expansion Tank Kit
57	104-5309	1	Ring-Retaining	137	120-5549	1	Bypass Kit
58	104-2147	1	Sealant, Silicone - Non-Flammable	138	121-5731	1	Hub Kit
60	94-6922	2	Bearing-Thrust	139	135-7349	1	Fan And Pulley Kit
70	104-5339	1	Washer-Flat	150	104-5349	1	Fitting-SAE
71	104-5340	1	Ring-Retaining	151	115-8302	1	Hose
72	104-5316	1	Gear-Pinnion, 13T	152	104-5361	1	O-Ring
73	106-8683	1	Shaft-Motor	159	121-5728	1	Case-Tube
74	104-5360	1	Washer	160	125-0041	1	Cap-Axle
				162	139-3278	1	Breather ASM Kit
				163	120-7103	1	Seal And Ring Kit

● Not illustrated

RH Hydro Transmission Assembly No. 139-7451



163	10, 31, 33, 54, 56, 57, 71, 96, 152, 157
-----	--

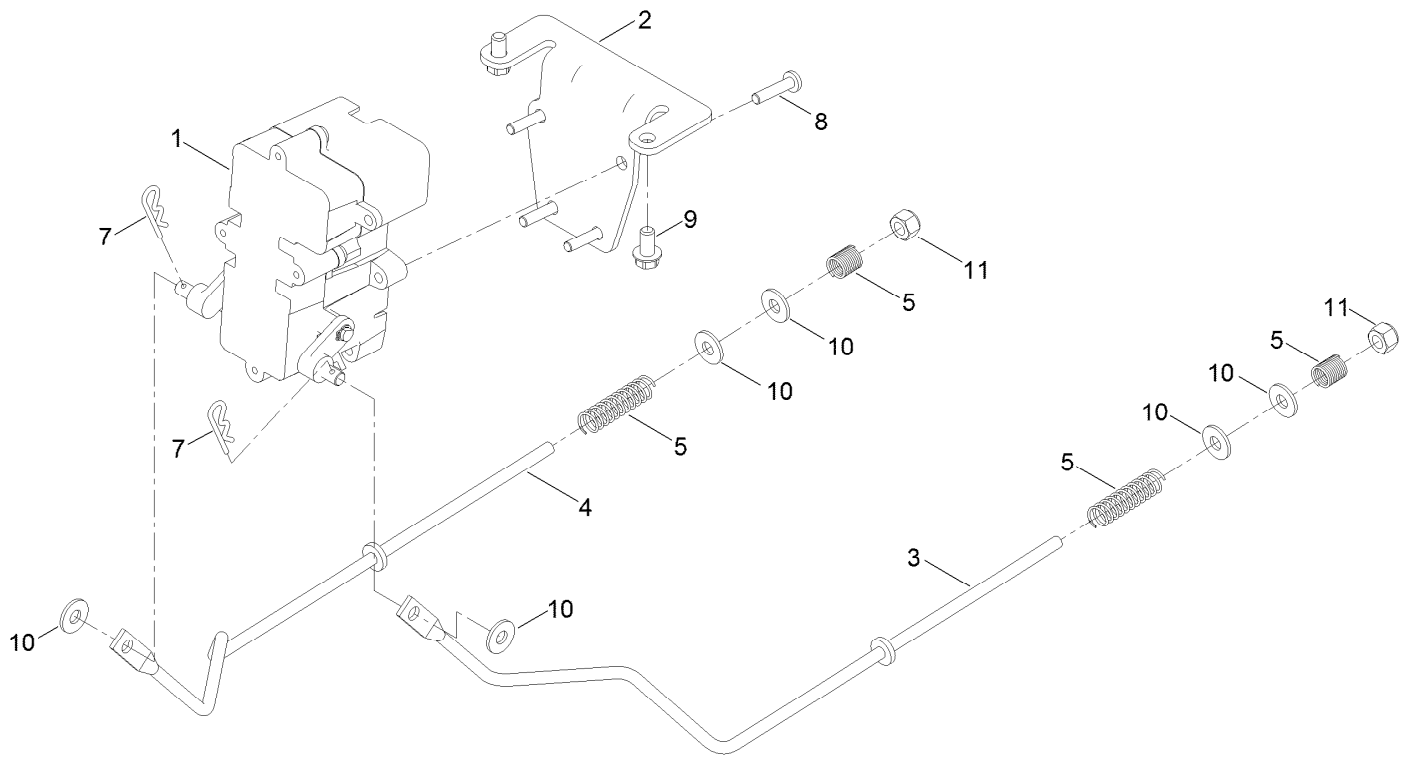


RH Hydro Transmission Assembly No. 139-7451 (continued)

<i>Ref.</i>	<i>Part Number</i>	<i>Qty.</i>	<i>Description</i>	<i>Ref.</i>	<i>Part Number</i>	<i>Qty.</i>	<i>Description</i>
1	120-5531	1	Main Housing ASM	80	119-5541	1	*obs* Washer
2	120-5533	1	Housing Side Kit	81	104-5317	1	Gear-10T/48T
5	104-2189	1	Plug-Thread, Straight	82	104-5318	1	Gear-Jackshaft, 10T
7	117-5359	16	Screw-HHF	83	104-5329	1	Pin-Jackshaft
10	104-2147	1	Sealant, Silicone - Non-Flammable ●	91	120-5539	1	Gear-Bull
31	106-8677	2	Ring-Retaining, External	92	104-2142	1	Nut-HJ
32	106-8678	1	Rod-Bypass	93	115-8314	1	Bushing-Inboard
33	106-8679	1	Ring-Retaining, Internal	94	120-5540	1	Shaft-Axle
40	104-5304	1	Swashplate-Trunnion	95	120-5541	1	Bearing-Sleeve
42	104-2116	1	Stud	100	106-8694	1	Disc-Brake, Cog
43	112-9853	1	Puck-Friction	110	106-8677	1	Ring-Retaining, External
51	133-1793	1	Spring-Block	130	103-2666	1	Cylinder Block Kit
51	120-5538	1	Washer	131	110-8561	1	Pump Block ASM
52	104-5306	1	Shaft-Input	132	117-5362	1	Control Arm Kit
53	104-5311	1	Bearing-Ball	133	106-8688	1	Brake Arm Kit
54	104-5307	1	Ring-Retaining	134	112-9862	1	Center Section Filter Kit
55	104-5308	1	Spacer	135	114-1634	1	Filter Kit
56	104-5310	1	Seal-Lip	136	121-5735	1	LH Expansion Tank Kit
57	104-5309	1	Ring-Retaining	137	107-2489	1	Bypass Arm Kit
58	104-2147	1	Sealant, Silicone - Non-Flammable	138	121-5731	1	Hub Kit
60	94-6922	2	Bearing-Thrust	139	135-7349	1	Fan And Pulley Kit
70	104-5339	1	Washer-Flat	150	104-5349	1	Fitting-SAE
71	104-5340	1	Ring-Retaining	151	115-8302	1	Hose
72	104-5316	1	Gear-Pinnion, 13T	152	104-5361	1	O-Ring
73	106-8683	1	Shaft-Motor	159	121-5728	1	Case-Tube
74	104-5360	1	Washer	160	125-0041	1	Cap-Axle
				162	139-3278	1	Breather ASM Kit
				163	120-7103	1	Seal And Ring Kit

● Not illustrated

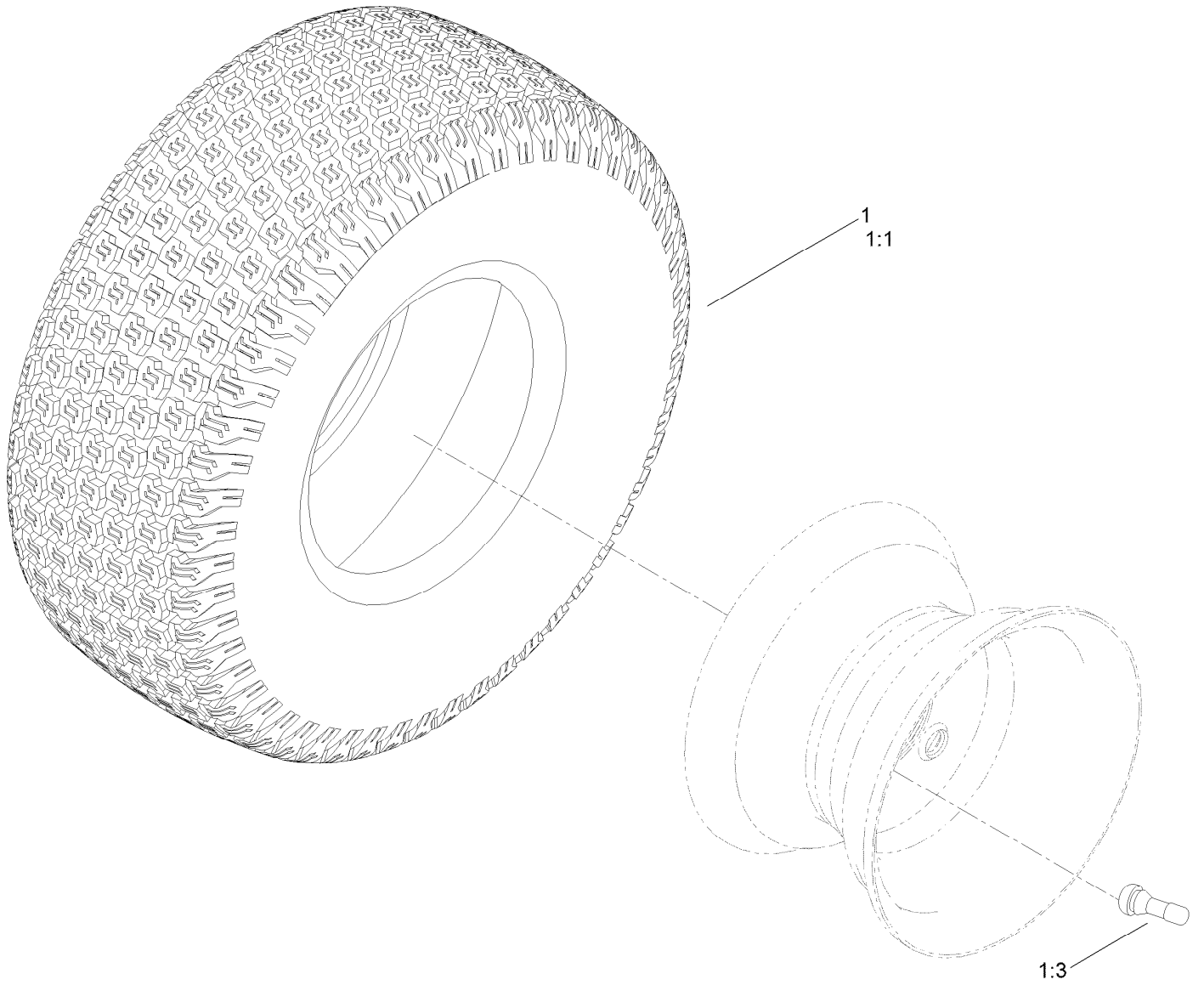
Brake Assembly



Brake Assembly (continued)

<i>Ref.</i>	<i>Part Number</i>	<i>Qty.</i>	<i>Description</i>	<i>Ref.</i>	<i>Part Number</i>	<i>Qty.</i>	<i>Description</i>
1	138-2514	1	Brake Box ASM	7	137-3083	2	Pin-Hair
2	133-9284-03	1	Bracket-Mount, Brake	8	32144-36	4	Screw-PPH
3	138-2591	1	Rod-Brake, LH	9	32144-4	2	Screw-HWH
4	138-2592	1	Rod-Brake, RH	10	119-8952	6	Washer
5	117-1169	4	Spring-Compression	11	137-3088	2	Nut-Hex

Rear Tire Assembly

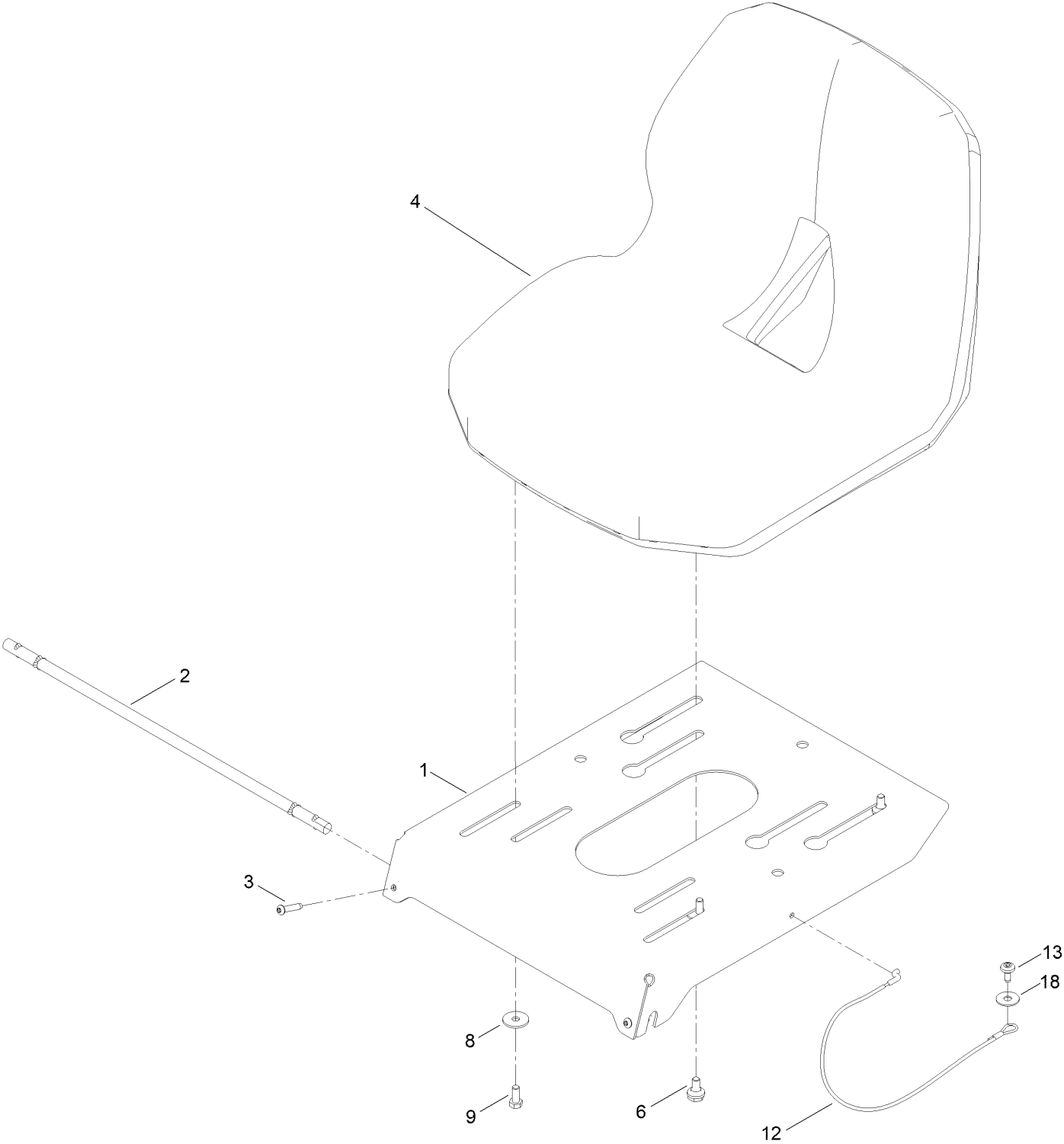


Rear Tire Assembly (continued)

<i>Ref.</i>	<i>Part Number</i>	<i>Qty.</i>	<i>Description</i>	<i>Ref.</i>	<i>Part Number</i>	<i>Qty.</i>	<i>Description</i>
1	139-5846	2	Tire ASM	1:3	232-27	1	Stem-Valve
1:1	126-1618	1	Tire	1:99	107-2491	1	Tube-Tire ●

● Not illustrated

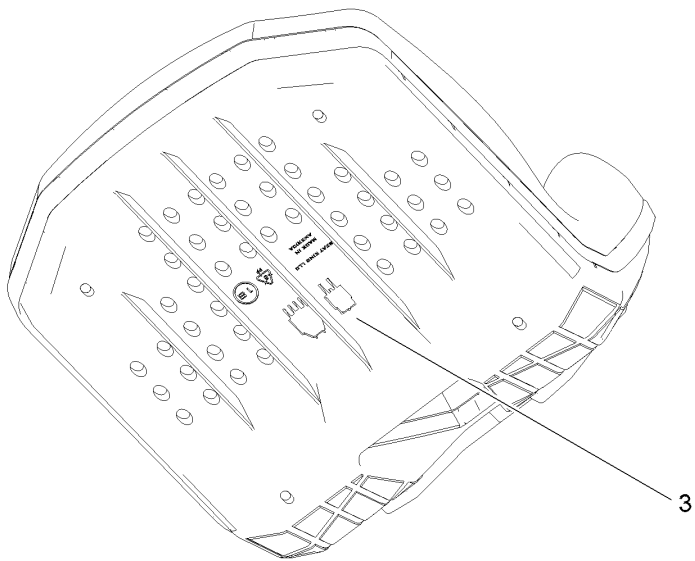
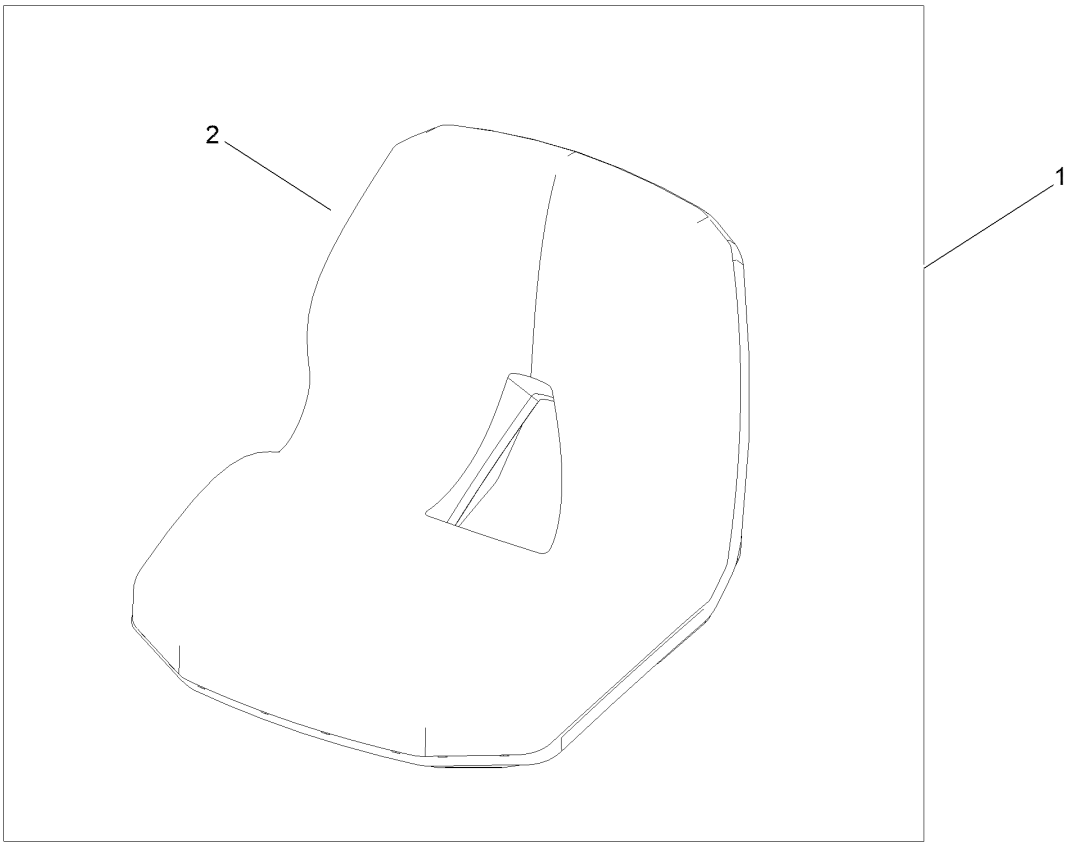
Seat Assembly



Seat Assembly (continued)

<i>Ref.</i>	<i>Part Number</i>	<i>Qty.</i>	<i>Description</i>	<i>Ref.</i>	<i>Part Number</i>	<i>Qty.</i>	<i>Description</i>
1	138-9781-03	1	Pan-Seat	8	5-4460	2	Washer-Pivot
2	138-7555	1	Rod-Pivot	9	137-3052	2	Screw-HH
3	137-3010	2	Screw-BHCS	12	139-2398	1	Cable-Lanyard
4	147-5157	1	Seat-16 In	13	120-7950	1	Screw-Torx
6	37-8771	2	Bolt-Shoulder, HF	18	147-5287	1	Washer-Flat

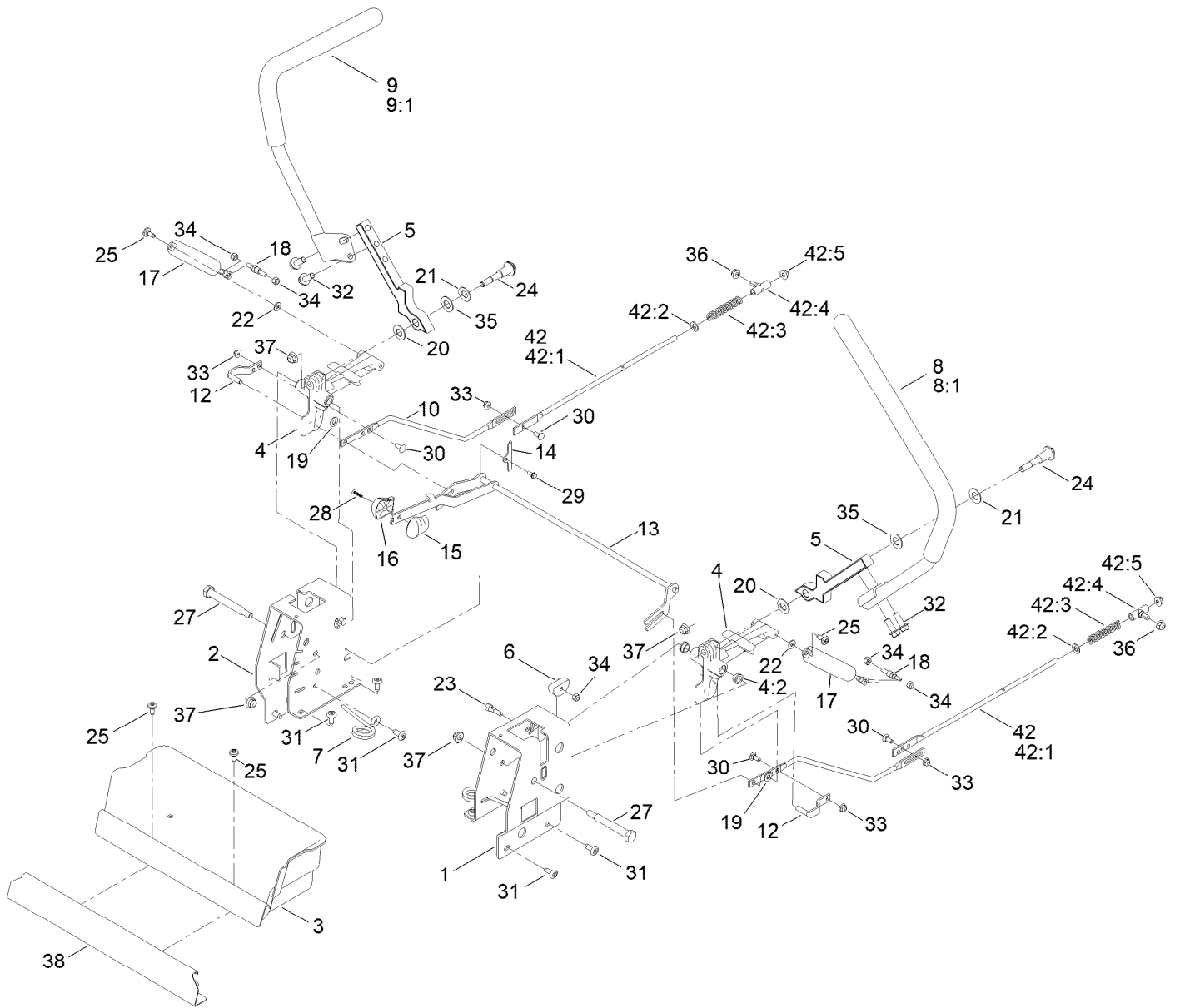
Seat Assembly No. 147-5157



Seat Assembly No. 147-5157 (continued)

<i>Ref.</i>	<i>Part Number</i>	<i>Qty.</i>	<i>Description</i>
1	139-5891	1	Seat-16 In
2	147-2983	1	Cover-Seat
3	82-2190	1	Switch-Bail

Motion Control Assembly

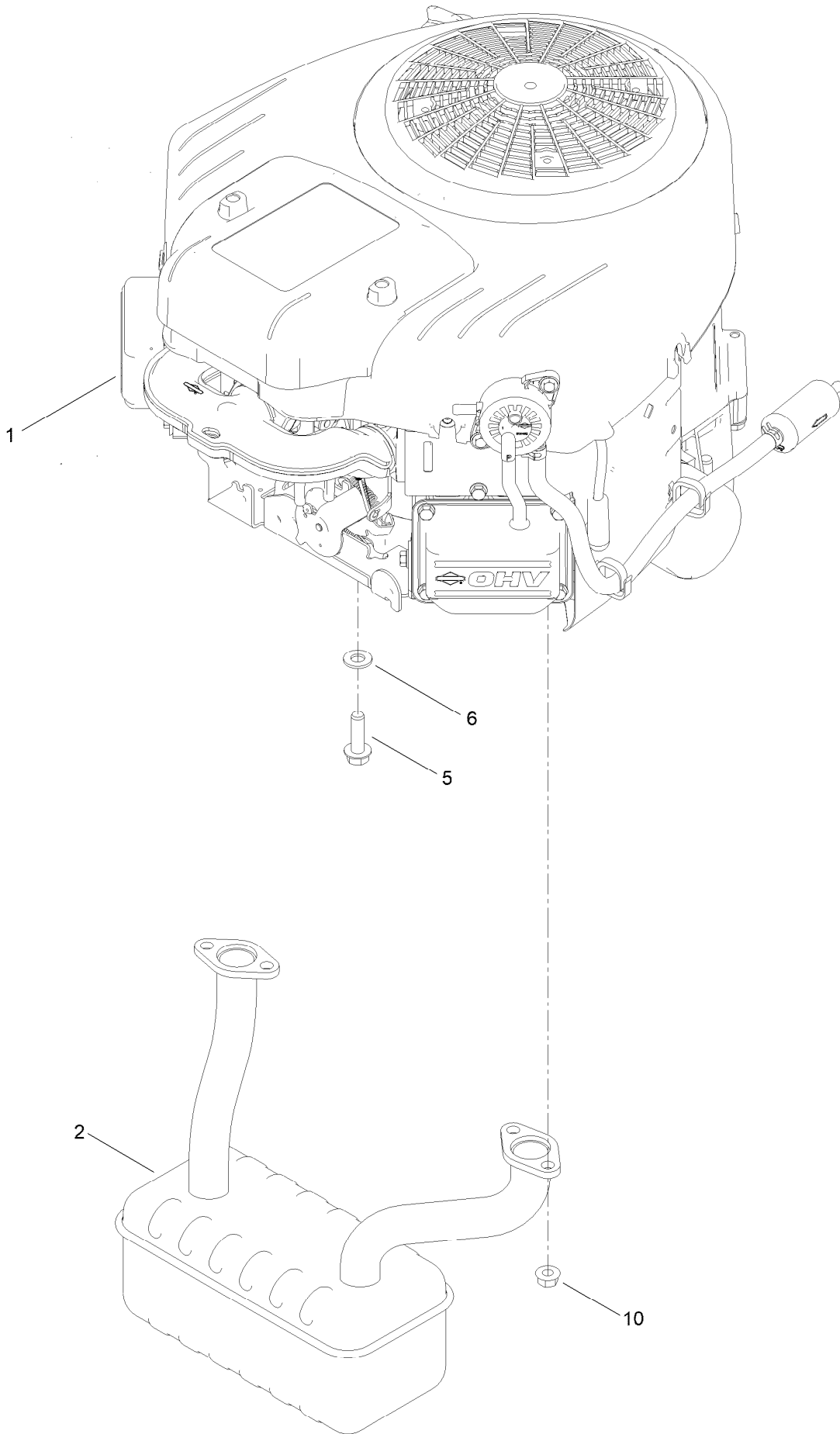


Motion Control Assembly (continued)

<i>Ref.</i>	<i>Part Number</i>	<i>Qty.</i>	<i>Description</i>	<i>Ref.</i>	<i>Part Number</i>	<i>Qty.</i>	<i>Description</i>
1	138-7598-03	1	Plate-Control Box, LH	22	119-8952	2	Washer
2	138-7599-03	1	Plate-Control Box, RH	23	139-5811	2	Bolt-Pivot, Eccentric
3	145-0421	1	Box-Storage	24	139-2556	2	Bolt-Pivot
4	119-3470	2	Actuator Arm ASM	25	120-7950	4	Screw-Torx
4:2	256-156	2	Bushing-Flange	27	115-5099	2	Bolt-Pivot
5	133-9299-05	2	Arm-Control	28	94-4496	1	Screw-PPH
6	139-5803	2	Eccentric	29	139-1713	2	Screw-Thd Roll
7	138-7539	2	Spring-Torsion	30	100-1445	4	Bolt-CARR
8	133-7055	1	Handle-Control, LH	31	138-9753	10	Screw
8:1	121-0726	1	Grip	32	139-2597	4	Screw-HHF
9	133-7057	1	Handle-Control, RH	33	137-3005	4	Nut-HF
9:1	121-0726	1	Grip	34	137-3088	6	Nut-Hex
10	138-2580	2	Rod-Hydro, Front	35	117-1240	2	Washer
12	121-1753	2	Pin-Rod, Hydro	36	119-4041	2	Nut-HF
13	138-9750	1	Speed Control ASM	37	119-4042	4	Nut-HF, NI
14	138-7541	2	Plate-Retainer	38	139-3280-01	1	Plate-Kick
15	132-9368	1	Knob-RH	42		2	Rod Hydro ASM ●
16	132-9369	1	Knob-LH	42:1	144-1818	1	Rod-Hydro, Rear
17	132-6853	2	Damper-Non Cavitating	42:2	120-9683	1	Washer-Plain
18	138-7215	2	Stud-Damper	42:3	138-7252	1	Spring-Compression
19	93-6079	2	Spacer-Nylon	42:4	138-7218	1	Mount-Rod, Hydro
20	120-2273	2	Washer-Nylon	42:5	119-4041	1	Nut-HF
21	119-8925	2	Washer-Belleville				

● Not serviced separately

Engine and Muffler Assembly



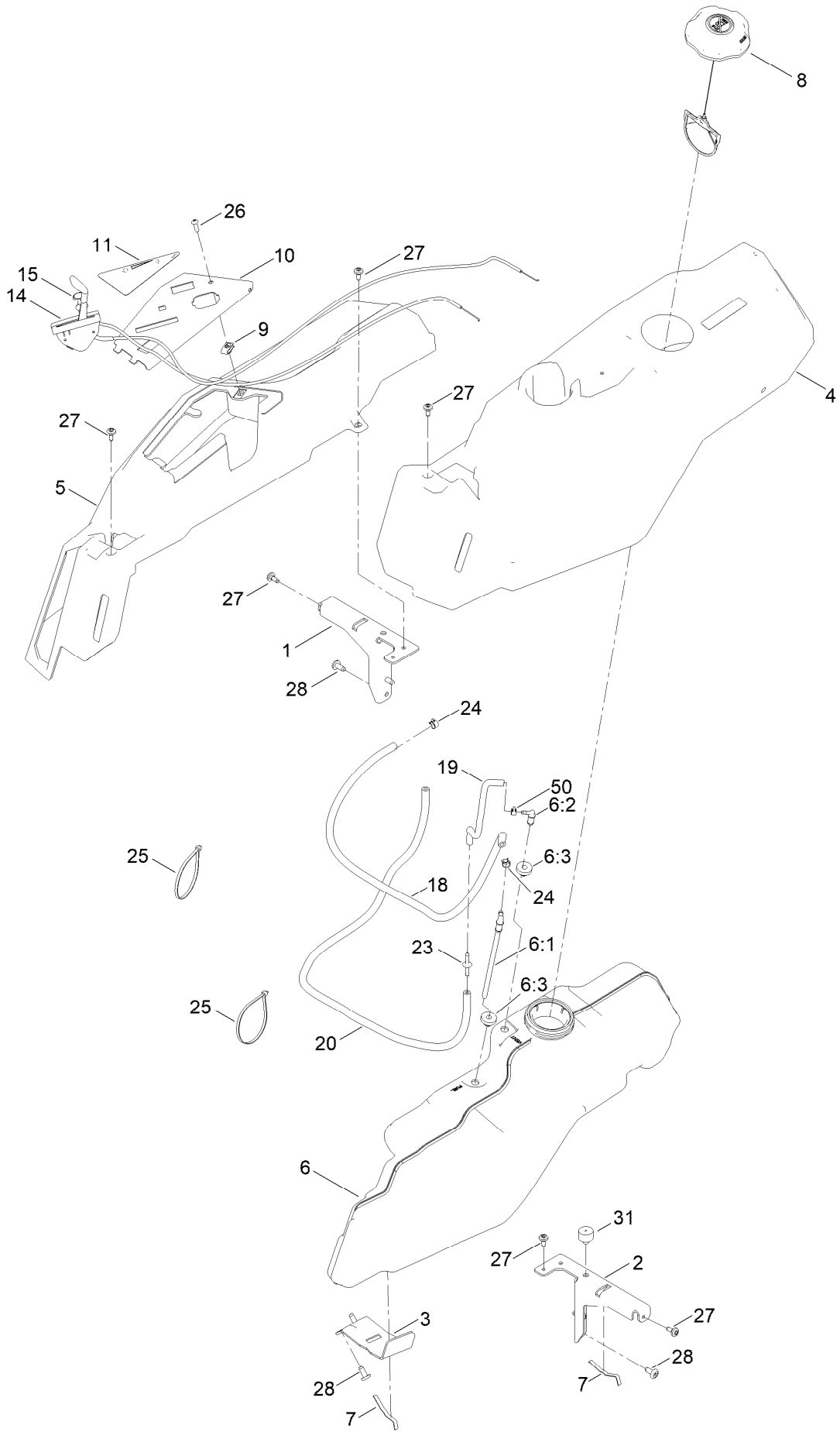
Engine and Muffler Assembly (continued)

<i>Ref.</i>	<i>Part Number</i>	<i>Qty.</i>	<i>Description</i>	<i>Ref.</i>	<i>Part Number</i>	<i>Qty.</i>	<i>Description</i>
1		1	Engine-B&s Exi ■▲	5	139-2576	4	Screw-HWH
1:1	147-5158	2	Gasket-Exhaust, Briggs Twin ●	6	115-1166	3	Washer-Plain
2	145-6318	1	Muffler	10	33004-00	4	Nut-HF

● Not illustrated
▲ Obtain parts from www.briggsandstratton.com

■ Not serviced separately

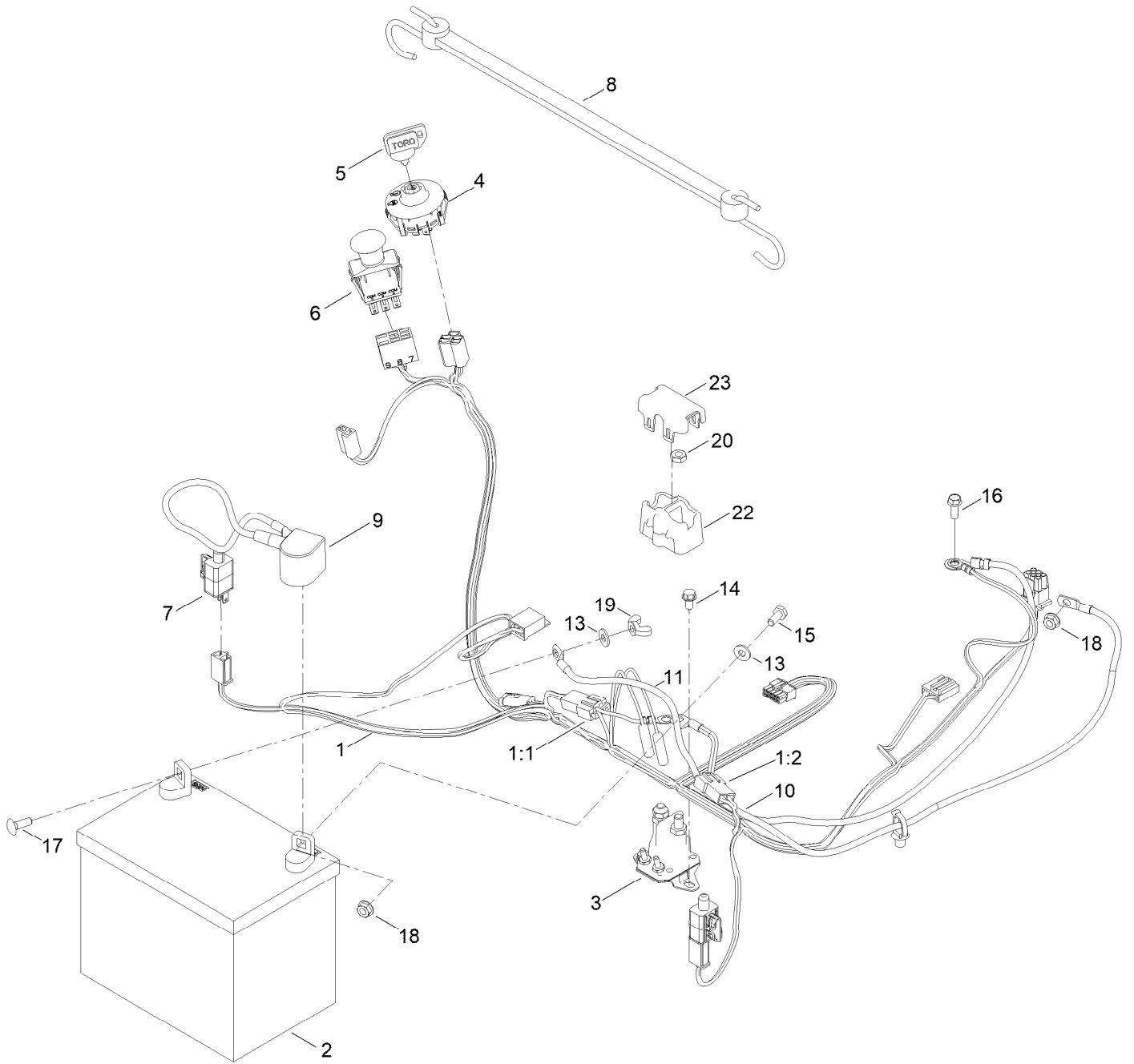
Fuel Pod Assembly



Fuel Pod Assembly (continued)

<i>Ref.</i>	<i>Part Number</i>	<i>Qty.</i>	<i>Description</i>	<i>Ref.</i>	<i>Part Number</i>	<i>Qty.</i>	<i>Description</i>
1	138-6070-03	1	Support-Pod, RH	14	147-2915	1	Cable-Throttle
2	138-6071-03	1	Support-Pod, LH	15	139-2402	1	Cable-Choke
3	139-3271-03	1	Support-Tank, Fuel	18	109-0307	1	Hose-Fuel
4	138-6074	1	Pod-LH	19	136-6345	1	Hose-Fuel
5	138-6075	1	Pod-RH	20	110-3958	1	Hose-Fuel
6	144-5304	1	Tank-Fuel ASM	23	144-1983	1	Adapter Orifice
6:1	139-1091	1	Connector-Elbow, 90 DEG	24	2412-98	2	Clamp-Hose
6:2	144-5302	1	Fitting-Elbow 90	25	3290-379	2	Tie-Cable
6:3	46-6560	2	Bushing	26	3258-166	1	Screw-PRH
7	609830	2	Spring	27	120-7950	6	Screw-Torx
8	137-4119	1	Cap-Fuel, Ratcheting	28	138-9753	6	Screw
9	107069	1	Clip	31	120-7893	1	Bumper-Grommet
10	139-2380-03	1	Panel - Control	50	2412-80	1	Clamp-Hose
11	139-2391	1	Decal-Panel, Control				

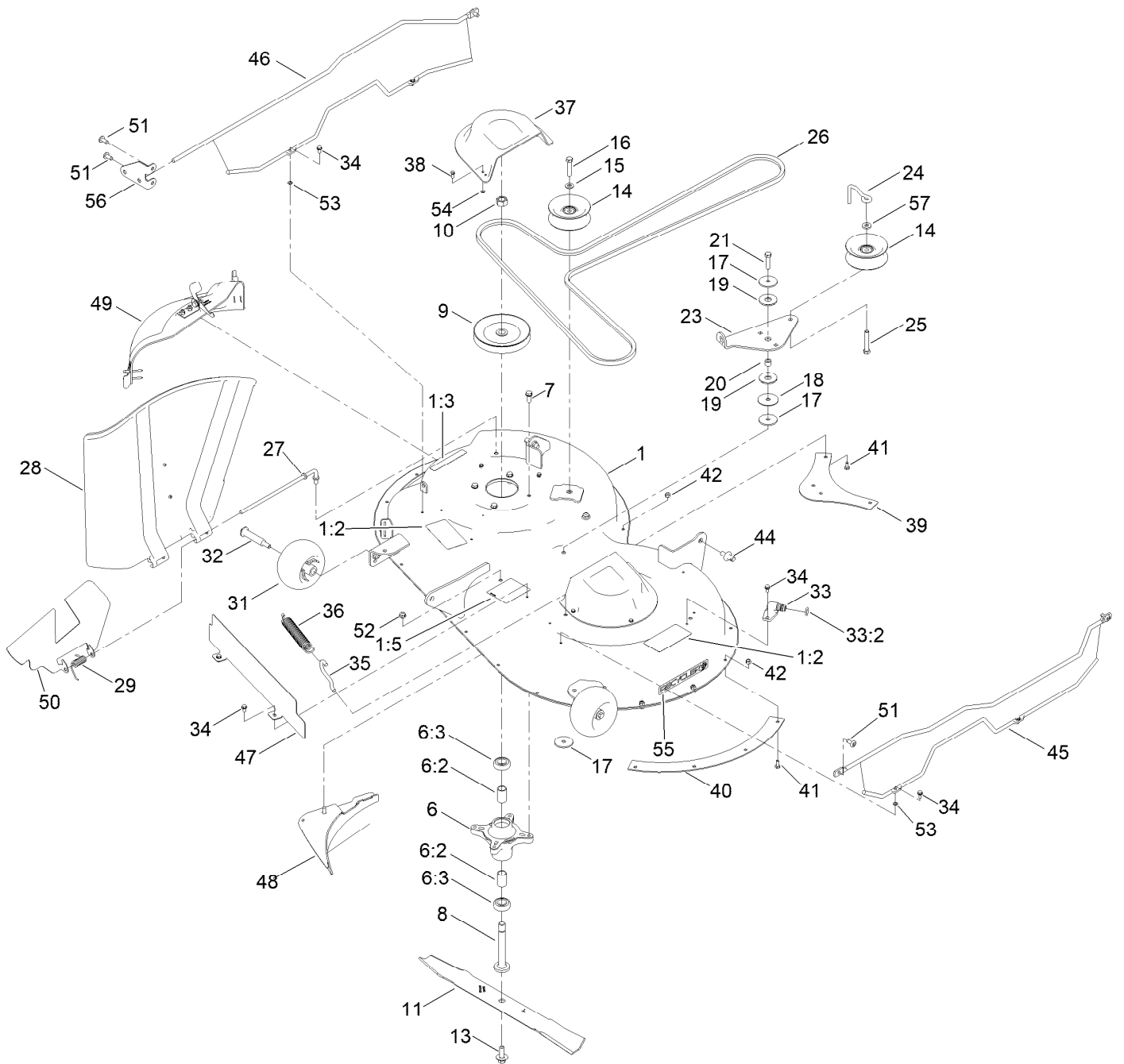
Electrical Assembly



Electrical Assembly (continued)

<i>Ref.</i>	<i>Part Number</i>	<i>Qty.</i>	<i>Description</i>	<i>Ref.</i>	<i>Part Number</i>	<i>Qty.</i>	<i>Description</i>
1	138-2521	1	Harness-Wire	11	121-5726	1	Cable-Battery, Black
1:1	109355	1	Fuse-Blade, 15 Amp	13	120-9679	2	Washer-Flat
1:2	109102	1	Fuse-Blade, 25 Amp	14	32144-4	2	Screw-HWH
2	105-1692	1	Battery- Dry, 12V, 230 CCA	15	137-3041	1	Screw-HH
3	117-1197	1	Solenoid	16	32144-85	1	Screw-HWH Thd Form
4	137-4100	1	Switch-Ignition	17	137-3053	1	Screw-CARR
5	63-8360	1	Key-Ignition	18	139-2575	2	Nut-HF
6	103-5221	1	Switch-PTO	19	32103-22	1	Nut-Wing
7	110-6765	2	Switch	20	139-2580	2	Nut-HJ
8	139-2381	1	Strap-Rubber	22	140-2080	1	Cover-Solenoid
9	140-2713	1	Cable-Battery, Pos	23	140-2081	1	Cap-Solenoid
10	139-2431	1	Cable-Battery, Red (8 Gauge)				

42in Deck and Decal Assembly

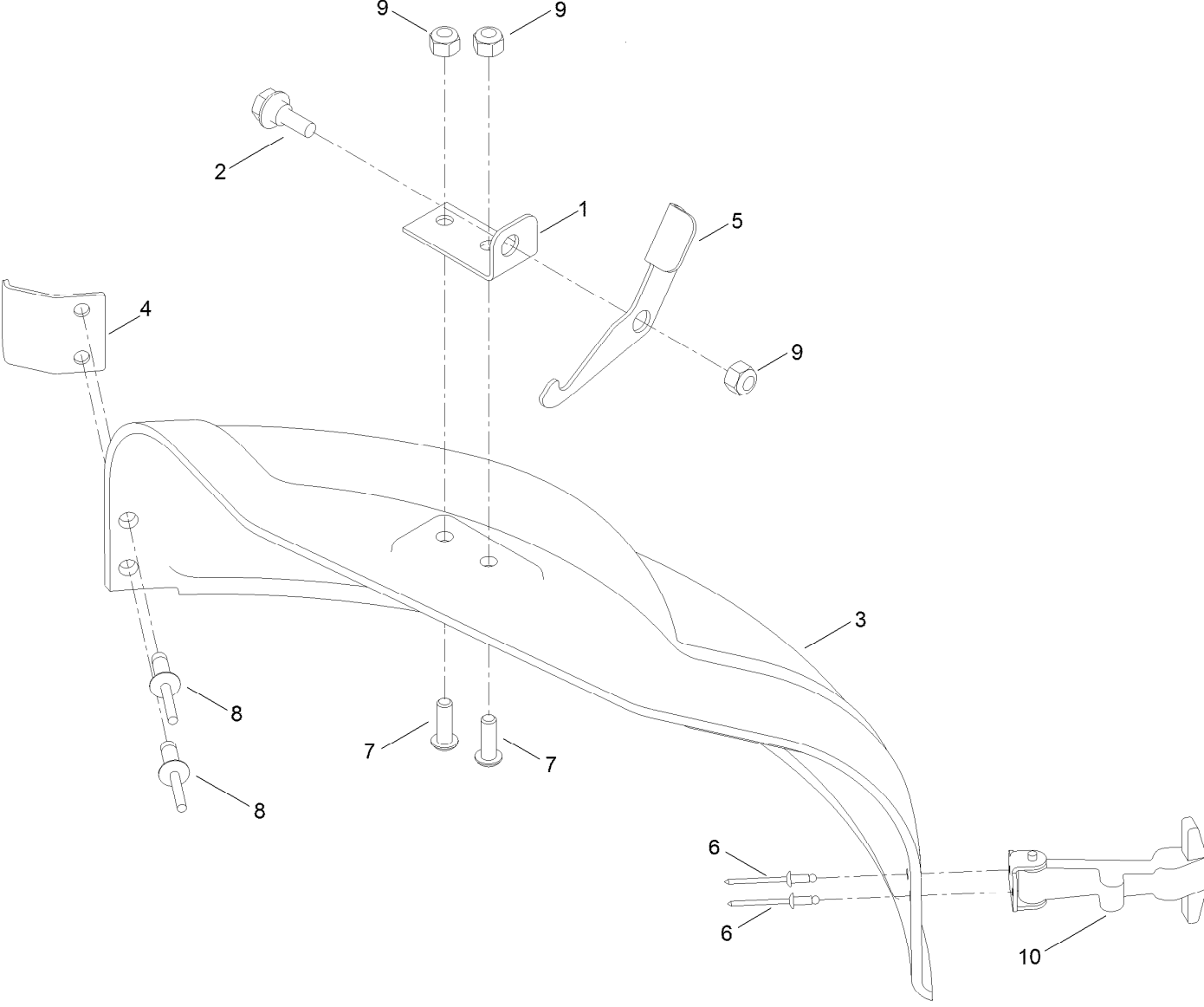


42in Deck and Decal Assembly (continued)

<i>Ref.</i>	<i>Part Number</i>	<i>Qty.</i>	<i>Description</i>	<i>Ref.</i>	<i>Part Number</i>	<i>Qty.</i>	<i>Description</i>
1	138-9761	1	42 Inch Deck And Decal ASM	29	138-7268	1	Spring-Torsion
1:2	132-0872	2	Decal-Danger, Deck	30	121-4600	1	Nut-Hex ●
1:3	130-0731	1	Decal-Danger	31	1-603299	2	Roller-Scalp, Anti
1:5	105-7015	1	Decal-Routing, Belt	32	139-2551	2	Bolt-Shoulder
6	139-3214	2	Spindle ASM	33	133-9289	1	Fitting-Washout
6:2	120-7935	2	Spacer	33:2	133-9290	1	O-Ring
6:3	138-9770	2	Bearing-Ball	34	32144-4	8	Screw-HWH
7	32144-41	8	Screw-Taptite	35	138-7267	1	Hook-Spring, Return
8	117-7268	2	Shaft-Spindle	36	138-7265	1	Spring Extension
9	139-2433	2	Pulley	37	108-7889	2	Cover-Belt
10	139-2578	2	Nut-Hex	38	139-1713	6	Screw-Thd Roll
11	117-5376-03	2	Blade-Mulch	39	137-2036-03	1	Baffle-Blowout, Rear
13	145-0411	2	Bolt-Blade, Sems	40	137-2037-03	1	Baffle-Blowout, Side
14	132-9420	2	Pulley-Idler, Flat	41	137-3041	8	Screw-HH
15	115-1166	1	Washer-Plain	42	137-3088	8	Nut-Hex
16	138-0722	1	Screw-HH	44	139-5871	2	Pin-Deck
17	139-1726	3	Washer-Rebound	45	140-0368	1	Left Guard ASM
18	120-2229	1	Washer	46	140-0369	1	Right Guard ASM
19	114-0463	2	Washer-Friction, Composite	47	137-2039-03	1	Shield-Front
20	115-4986	1	Spacer	48	137-7034-03	1	Baffle-Clipping
21	137-3070	1	Screw-HH	49	137-5034	1	42 Inch Mulch Plug ASM
22	119-4042	6	Nut-HF, NI ●	50	138-2555-03	1	Deflector Insert
23	138-7262	1	Arm-Idler	51	138-9753	5	Screw
24	138-7270	1	Guide-Belt, Idler	52	119-4041	1	Nut-HF
25	139-2589	1	Screw-HH	53	1-803037	4	Nut-Retaining
26	147-2924	1	V-Belt	54	132-0900	6	Nut-Retaining
27	137-2019	1	Rod-Pivot	55	119-2368	1	Decal-Recycler
28	137-7046	1	Deflector	56	140-5183-01	1	Plate-Mount, Guard
				57	138-7207	1	Spacer-Hub, Blower

● Not illustrated

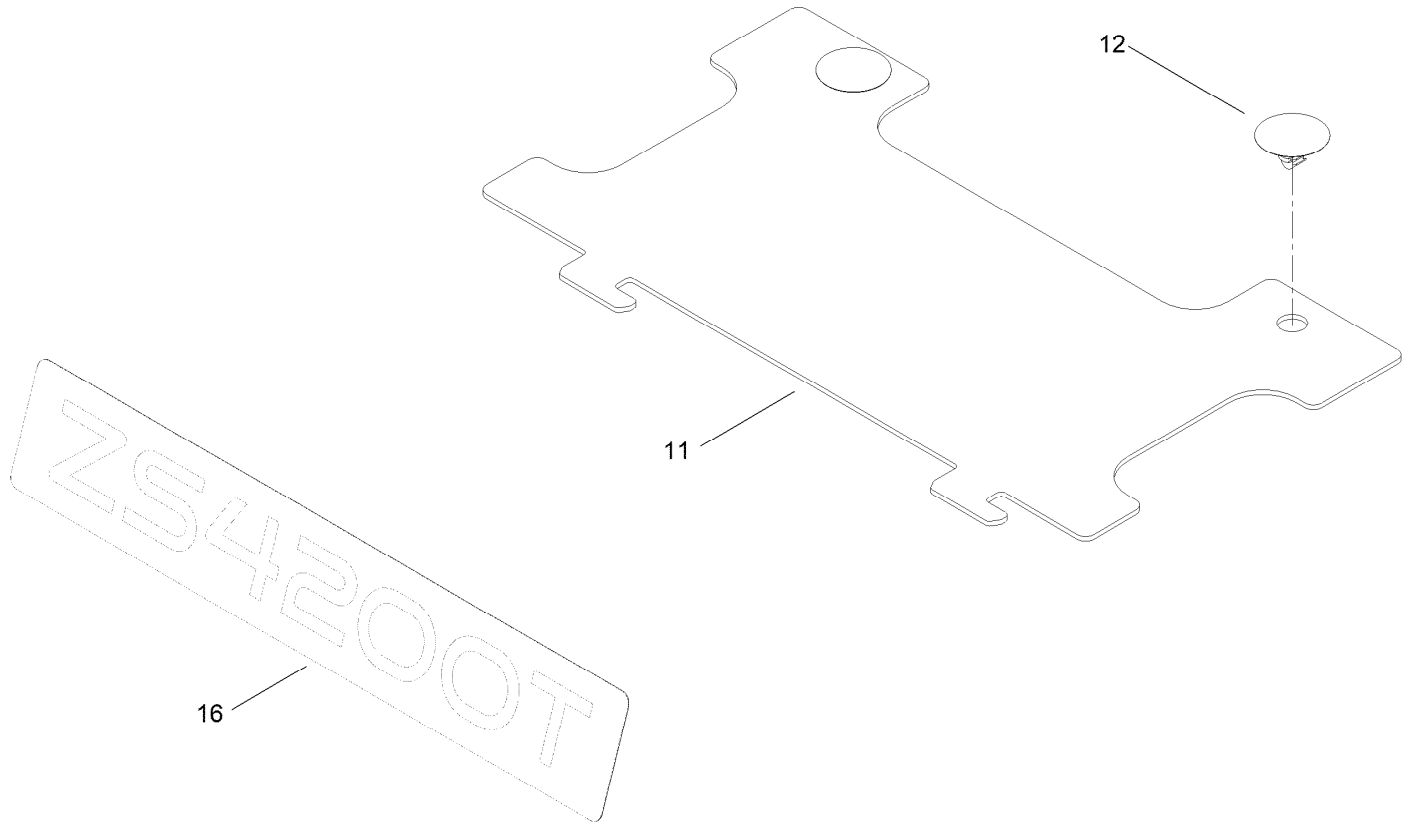
42 Inch Mulch Plug Assembly No. 137-5034



42 Inch Mulch Plug Assembly No. 137-5034 (continued)

<i>Ref.</i>	<i>Part Number</i>	<i>Qty.</i>	<i>Description</i>	<i>Ref.</i>	<i>Part Number</i>	<i>Qty.</i>	<i>Description</i>
1	138-7271	1	Plate-Pivot	6	3269-31	2	Rivet-Pop
2	139-1730	1	Screw-Shoulder, HHF	7	3274-69	2	Screw-HSBH
3	137-2009	1	Plug-Mulch, 42 Inch	8	3290-412	2	Rivet-Blind
4	137-2023	1	Bracket-Elbow	9	137-3088	3	Nut-Hex
5	140-3497	1	Latch	10	117344	1	Handle ASM

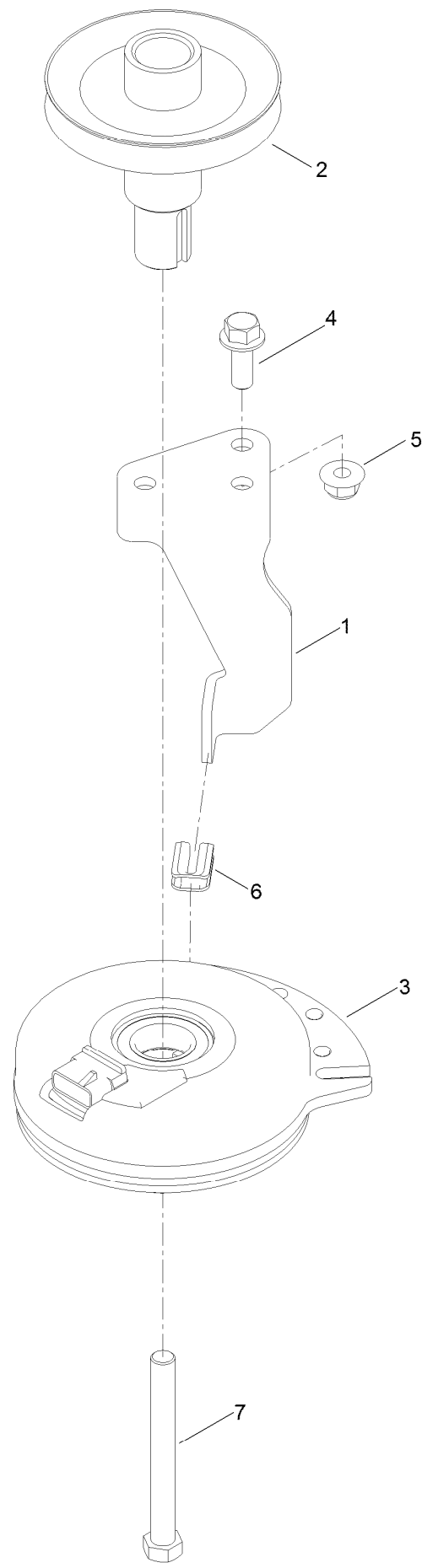
Model Specific Decal Assembly



Model Specific Decal Assembly (continued)

<i>Ref.</i>	<i>Part Number</i>	<i>Qty.</i>	<i>Description</i>
11	140-0355	1	Shield
12	139-3205	2	Rivet-Plastic
16	161-4581	1	Decal Zs4200T

Clutch Assembly



Clutch Assembly (continued)

<i>Ref.</i>	<i>Part Number</i>	<i>Qty.</i>	<i>Description</i>	<i>Ref.</i>	<i>Part Number</i>	<i>Qty.</i>	<i>Description</i>
1	138-7275	1	Stop-Clutch (Narrow)	5	119-4042	1	Nut-HF, NI
2	138-9792	1	Pulley-Engine	6	120-2217	1	Isolator-Clutch
3	117-7468	1	Clutch-Electric	7	139-2571	1	Screw-HH
4	139-2597	1	Screw-HHF				

Attachments and Accessories

For 74677 TimeCutter ZS4200T Zero Turn Riding Mower

Product Name	Model/Part
Twin Bagger, Timecutter 42in Stamped	79410
42in Recycler Kit.....	137-7042
Bagging Enhancement Kit	137-7048
Striping Kit, 42in and Riding Mowers	140-5198
Hourmeter Kit	116-5461
Jack Kit.....	127-6666
Front Weight Kit.....	140-2050
Assist Bar Kit	140-2052
ROPS Kit	79485
Slope Sensor Kit.....	79486
LED Light Kit.....	140-2056
Deluxe Seat Kit.....	140-2057
Armrest Kit.....	140-2058
Deck Footlift Assist Kit	140-2059
Floormat Kit	140-2060
Jack Mount Kit.....	140-2711
Replacement Blade Kit	137-1999-03P
Storage Cover	490-7516
Seat Cover W/O Arm Rest - TC 18in.....	117-0096
4-Cycle Fuel, Snow And Lawn 32oz Can	131-3823
Fuel Stabilizer .05 oz	130-2393
Toro Premium Fuel Treatment 12oz Bottle.....	131-6572
10W30 4-Cycle Engine Oil (32oz Bottle).....	38280
Toro 4-Cycle SAE 30 Oil (32oz Bottle)	38903
Mower Deck Drive Belt, TimeCutter SS Riding Mower with 42-inch Mowing Deck.....	79004
Caster Wheel Kit.....	145-0475

Notes:

Notes:

Notes:



Count on it.