

Parts Catalog

34in Bagger

Zero-Turn-Radius Riding Mower

Model No. 79417—Serial No. 416773407 and Up



Ordering Replacement Parts

To order replacement parts, please supply the part number, the quantity, and the description of each part desired.

Understanding Reference Numbers

Each identified part in an illustration has a reference number. The reference number for a part also appears in the parts list, along with other information about the part.

This catalog uses two special reference number formats, one to indicate parts in a service assembly and another to indicate the quantity of a given part in an illustration.

Service Assembly Reference Numbers

Parts in service assemblies have reference numbers in the form a:b. The a represents the reference number of the entire service assembly and the b represents a sequential number unique to each part within the service assembly.

For example, a wheel assembly might be identified by reference number 6, the tire by 6:1, the valve by 6:2, and the wheel by 6:3. When you order the assembly identified by reference number 6, you receive all parts identified by reference numbers 6:1, 6:2, and 6:3. However, you may also order any part individually. Reference numbers of this type appear in illustration and in parts lists.

Reference Numbers Indicating Quantity

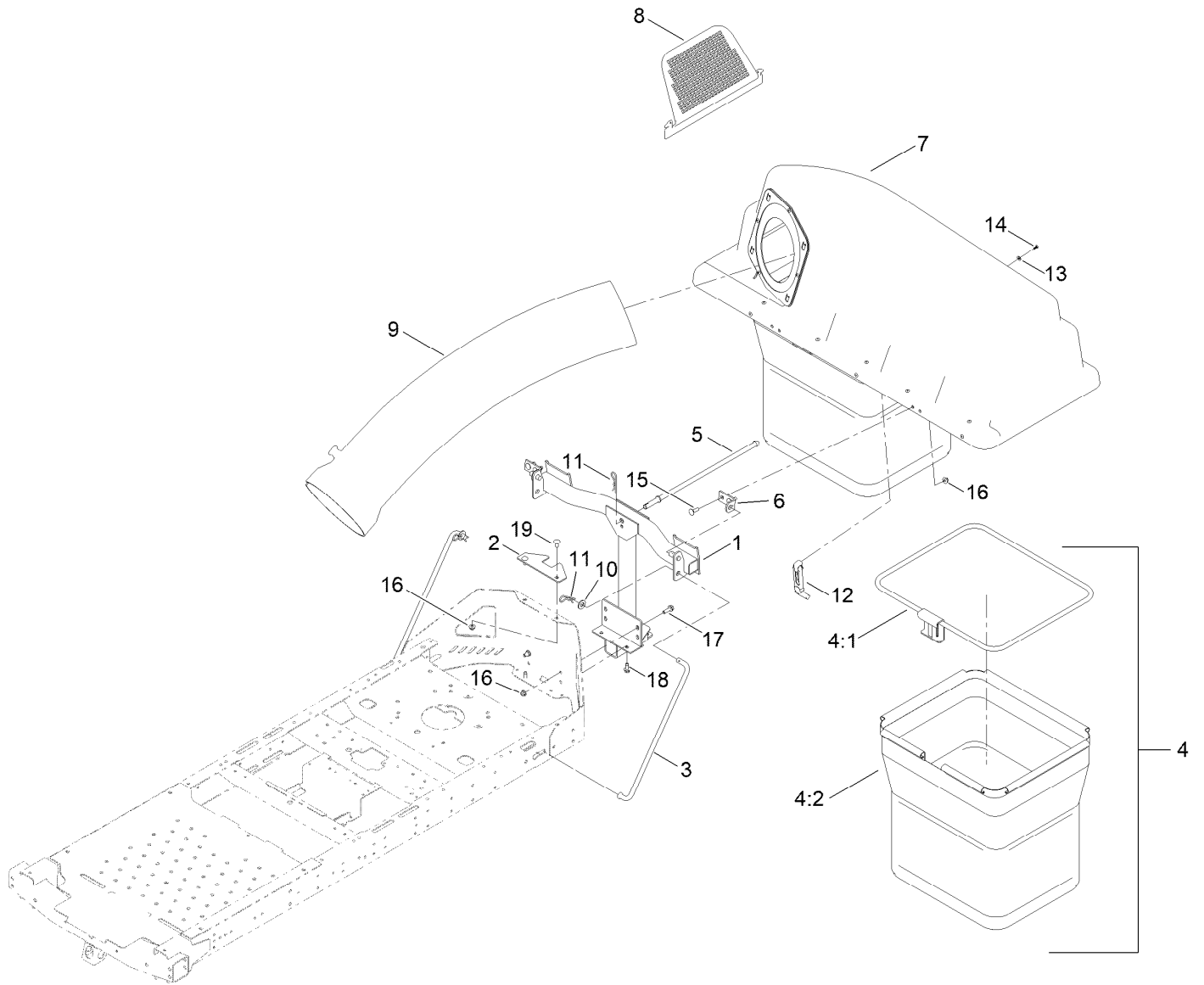
In an illustration, if a reference number indicates more than one part, the reference number has the form nX y. The n represents the quantity of the part, the X is the multiplication symbol, and the y represents the reference number.

For example, in an illustration, the reference number 2X 37 means that two of the parts identified by reference number 37 are indicated.

Contents

Twin Bag Assembly 4
Bagger Top Assembly No. 140-5096 6
Weight Assembly 8
Bagger Boot Assembly 10
Chute Assembly No. 140-5167 12

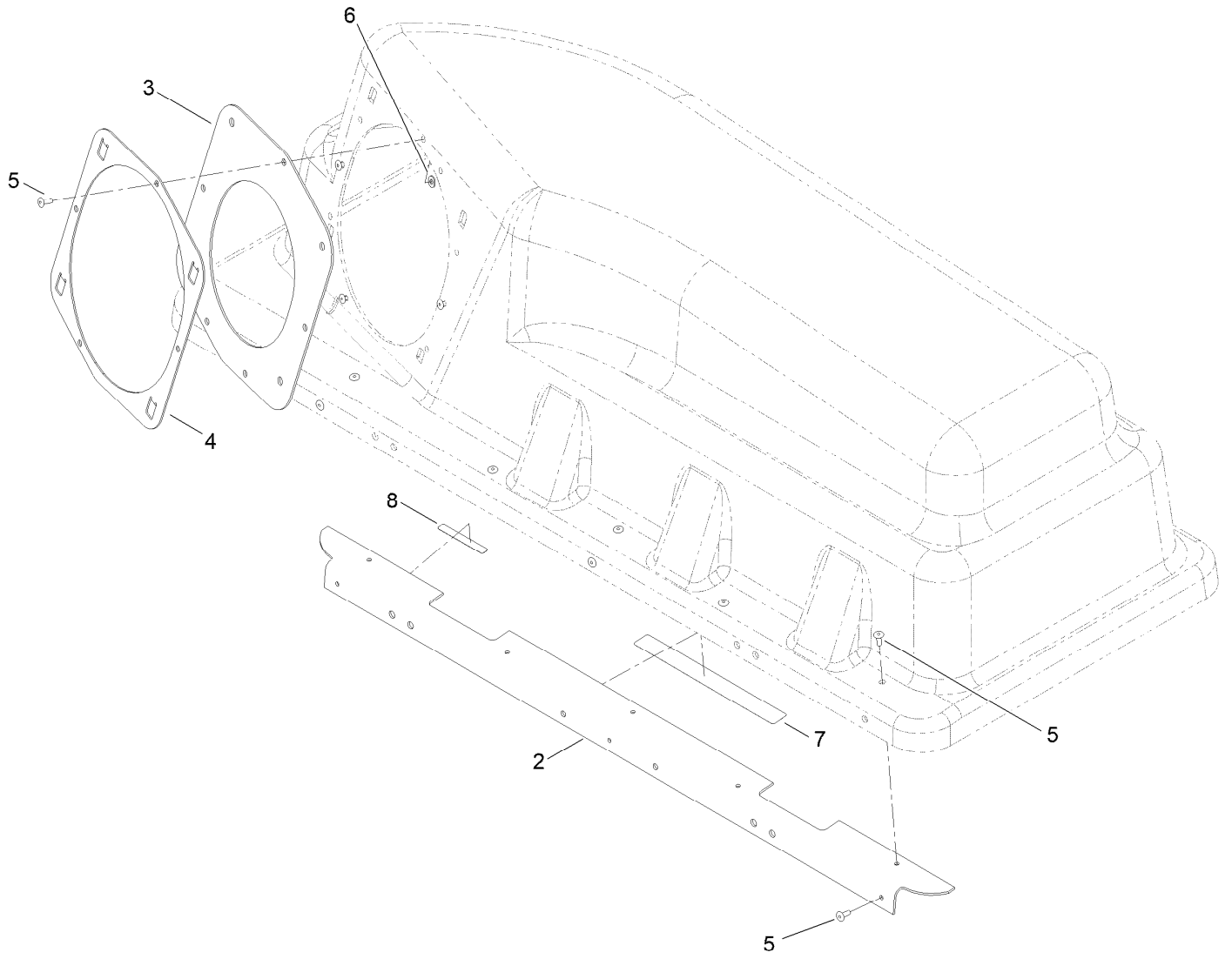
Twin Bag Assembly



Twin Bag Assembly (continued)

<i>Ref.</i>	<i>Part Number</i>	<i>Qty.</i>	<i>Description</i>	<i>Ref.</i>	<i>Part Number</i>	<i>Qty.</i>	<i>Description</i>
1	144-1829-03	1	Frame ASM, Pivot [black]	10	139-2611	2	Washer-Flat
2	131-3967-03	1	Bracket-Stabilizer	11	139-2562	3	Pin-Hair
3	140-5093	2	Rod-Support, Cz	12	116-4992	1	Latch-Rubber
4	147-2888	2	Bag ASM	13	137-3073	2	Washer-Plain
4:1	140-5179-03	1	Frame, Bag [black]	14	132-6919	2	Screw-Plastic, PTH
4:2	140-5192	1	Bag ASM 20In Depth	15	110-3144	4	Bolt-CARR
5	131-4189	1	Rod-Hood, Down	16	119-4041	8	Nut-HF
6	140-5016	2	Bracket-Hopper Pivot	17	139-2596	2	Screw-HHF
7	140-5096	1	Top ASM-Bagger	18	32144-70	2	Screw-HWHTF
8	112-3993	1	Screen-Bagger	19	139-2630	2	Bolt-CARR
9	112-3995	1	Tube-Bagger				

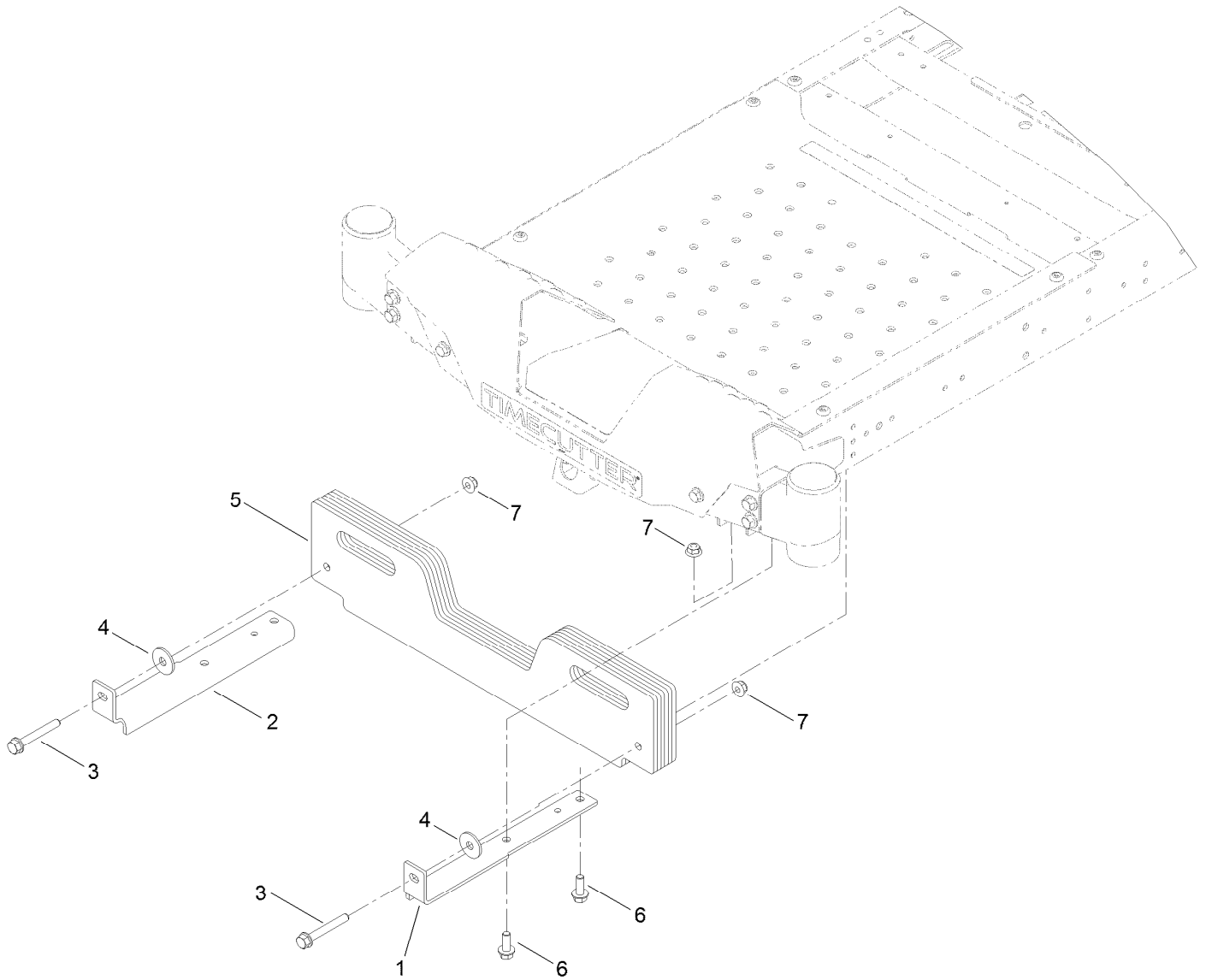
Bagger Top Assembly No. 140-5096



Bagger Top Assembly No. 140-5096 (continued)

<i>Ref.</i>	<i>Part Number</i>	<i>Qty.</i>	<i>Description</i>	<i>Ref.</i>	<i>Part Number</i>	<i>Qty.</i>	<i>Description</i>
2	116-1242-03	1	Stiffener-Bagger Top	6	137-3073	4	Washer-Plain
3	112-4001	1	Gasket	7	109-6809	1	Decal-Caution, Bagger
4	112-4000-03	1	Ring-Retainer	8	133-8061	1	Decal-Warning
5	114439	12	Rivet-Blind				

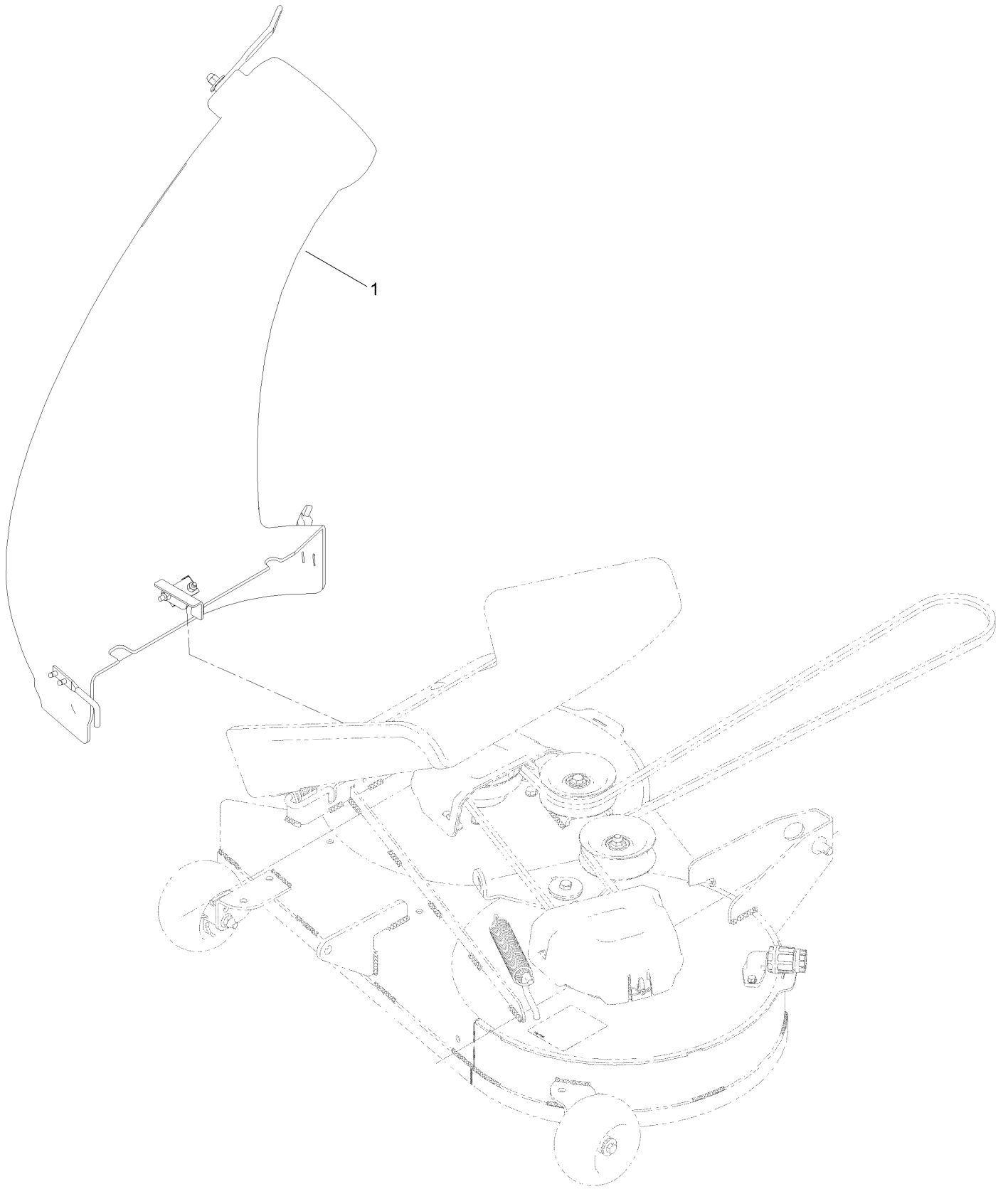
Weight Assembly



Weight Assembly (continued)

<i>Ref.</i>	<i>Part Number</i>	<i>Qty.</i>	<i>Description</i>	<i>Ref.</i>	<i>Part Number</i>	<i>Qty.</i>	<i>Description</i>
1	139-5817-03	1	Bracket-Weight, LH	5	139-7482-03	8	Weight-Bagger
2	139-5815-03	1	Bracket-Weight, RH	6	139-2597	4	Screw-HHF
3	140-5097	2	Screw-Spcl	7	119-4042	6	Nut-HF, NI
4	87-5330	2	Washer				

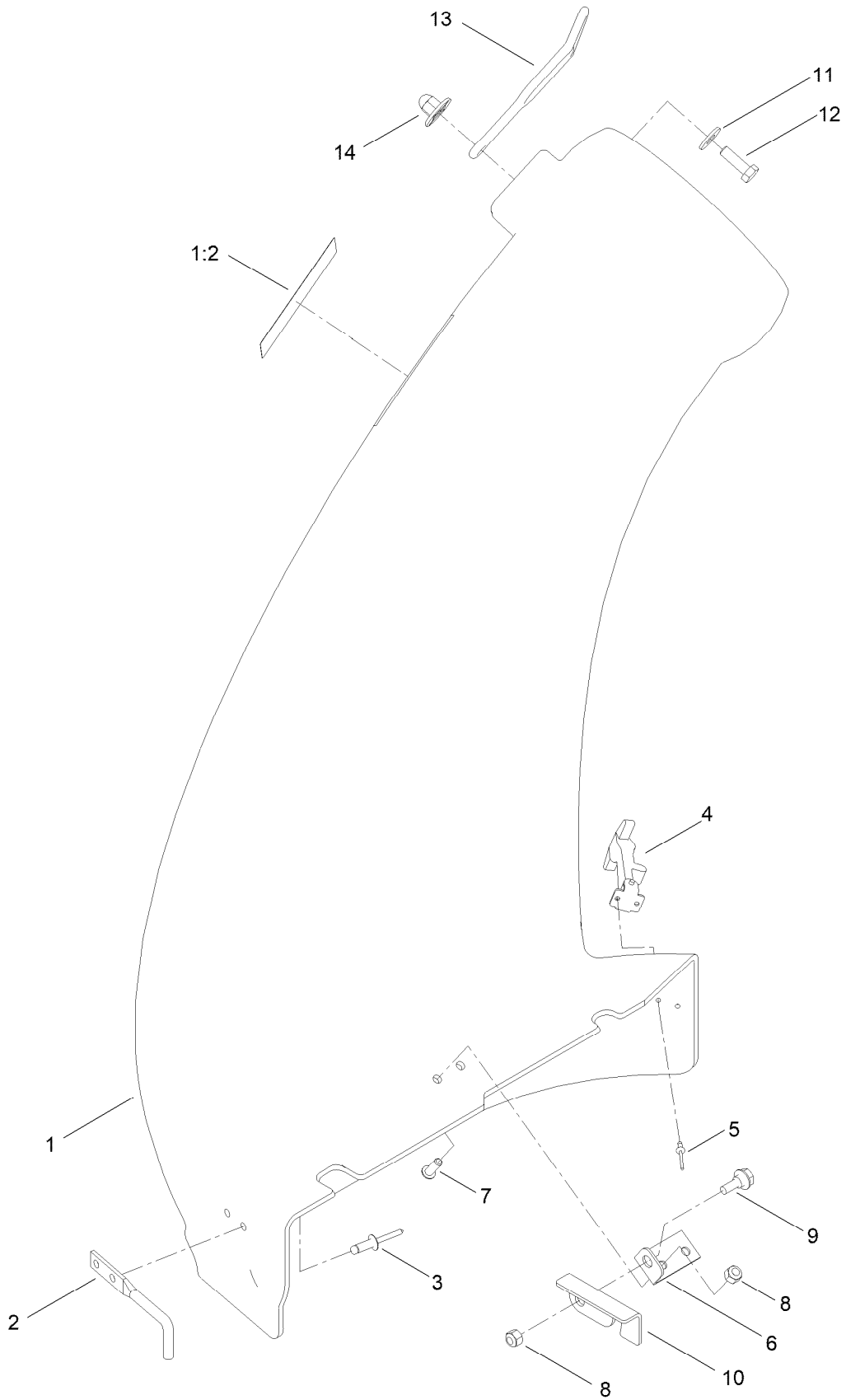
Bagger Boot Assembly



Bagger Boot Assembly (continued)

<i>Ref.</i>	<i>Part Number</i>	<i>Qty.</i>	<i>Description</i>
1	140-5167	1	34 In Bagger Boot Assembly

Chute Assembly No. 140-5167



Chute Assembly No. 140-5167 (continued)

<i>Ref.</i>	<i>Part Number</i>	<i>Qty.</i>	<i>Description</i>
1	140-5166	1	34 In Bagger Boot ASM
1:2	110-6691	1	Decal-Danger
2	138-7572	1	Hook-Boot
3	3290-412	2	Rivet-Blind
4	117344	1	Handle ASM
5	3269-31	2	Rivet-Pop
6	112-4038	1	Plate-Pivot
7	3274-69	2	Screw-HSBH

<i>Ref.</i>	<i>Part Number</i>	<i>Qty.</i>	<i>Description</i>
8	3296-42	3	Nut-Lock, NI
9	120-7024	1	Screw-Shoulder, HWH
10	140-5165	1	Plate-Latch
11	3256-3	1	Washer-Flat
12	322-5	1	Screw-HH
13	82-5690	1	Retainer-Duct
14	114-9015	1	Nut-Impeller

Notes:

Notes:

