

# Parts Catalog

## 60in Bagger Kit Zero Turn Radius Riding Mower

Model No. 79413—Serial No. 416620000 and Up



# Ordering Replacement Parts

To order replacement parts, please supply the part number, the quantity, and the description of each part desired.

## Understanding Reference Numbers

Each identified part in an illustration has a reference number. The reference number for a part also appears in the parts list, along with other information about the part.

This catalog uses two special reference number formats, one to indicate parts in a service assembly and another to indicate the quantity of a given part in an illustration.

## Service Assembly Reference Numbers

Parts in service assemblies have reference numbers in the form a:b. The a represents the reference number of the entire service assembly and the b represents a sequential number unique to each part within the service assembly.

For example, a wheel assembly might be identified by reference number 6, the tire by 6:1, the valve by 6:2, and the wheel by 6:3. When you order the assembly identified by reference number 6, you receive all parts identified by reference numbers 6:1, 6:2, and 6:3. However, you may also order any part individually. Reference numbers of this type appear in illustration and in parts lists.

## Reference Numbers Indicating Quantity

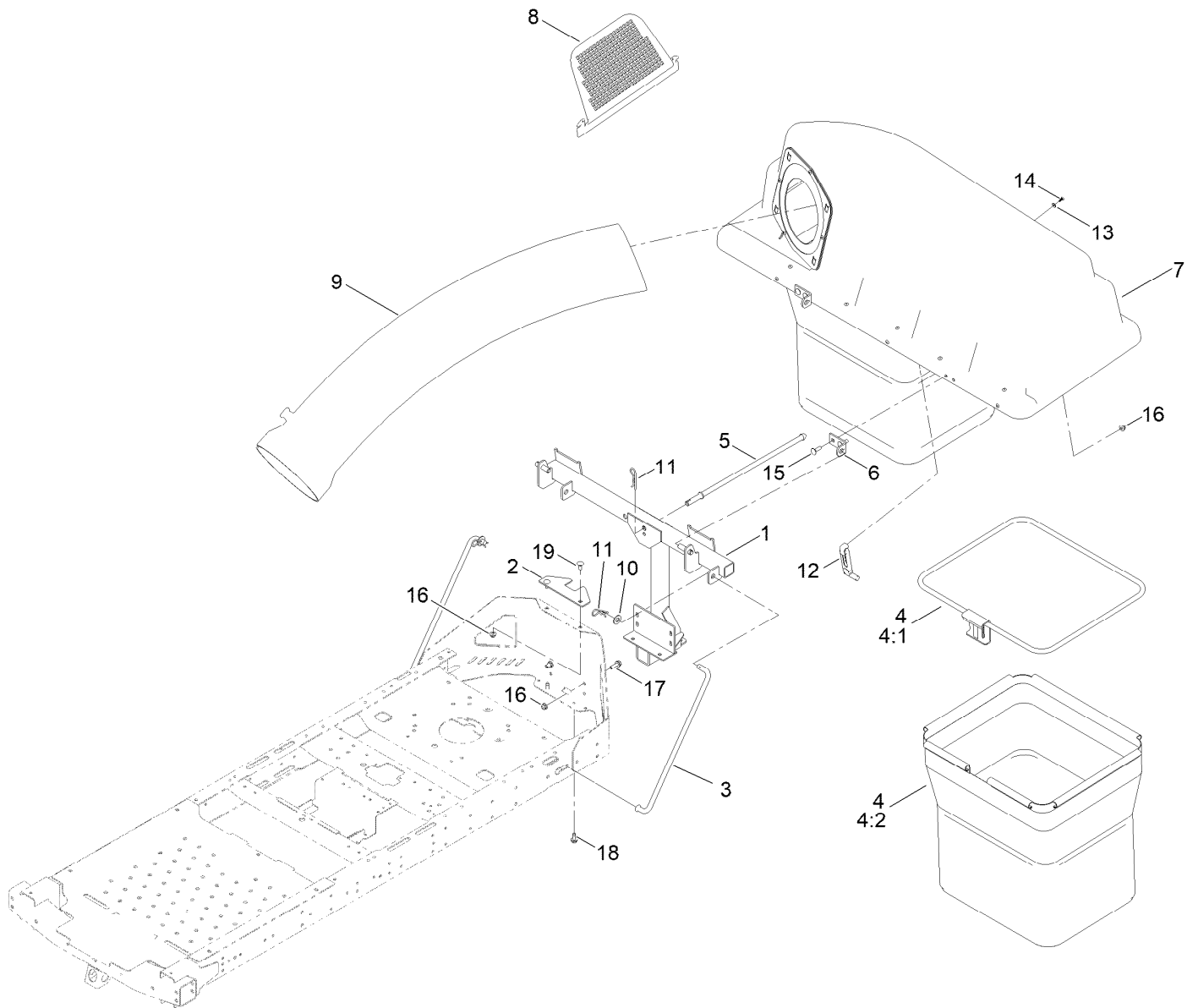
In an illustration, if a reference number indicates more than one part, the reference number has the form nX y. The n represents the quantity of the part, the X is the multiplication symbol, and the y represents the reference number.

For example, in an illustration, the reference number 2X 37 means that two of the parts identified by reference number 37 are indicated.

# Contents

Frame and Bag Assembly..... 4  
Bagger Top Assembly No. 140-5096 ..... 6  
Weight Assembly ..... 8  
Chute Assembly ..... 10  
Chute Assembly No. 139-7458 ..... 12

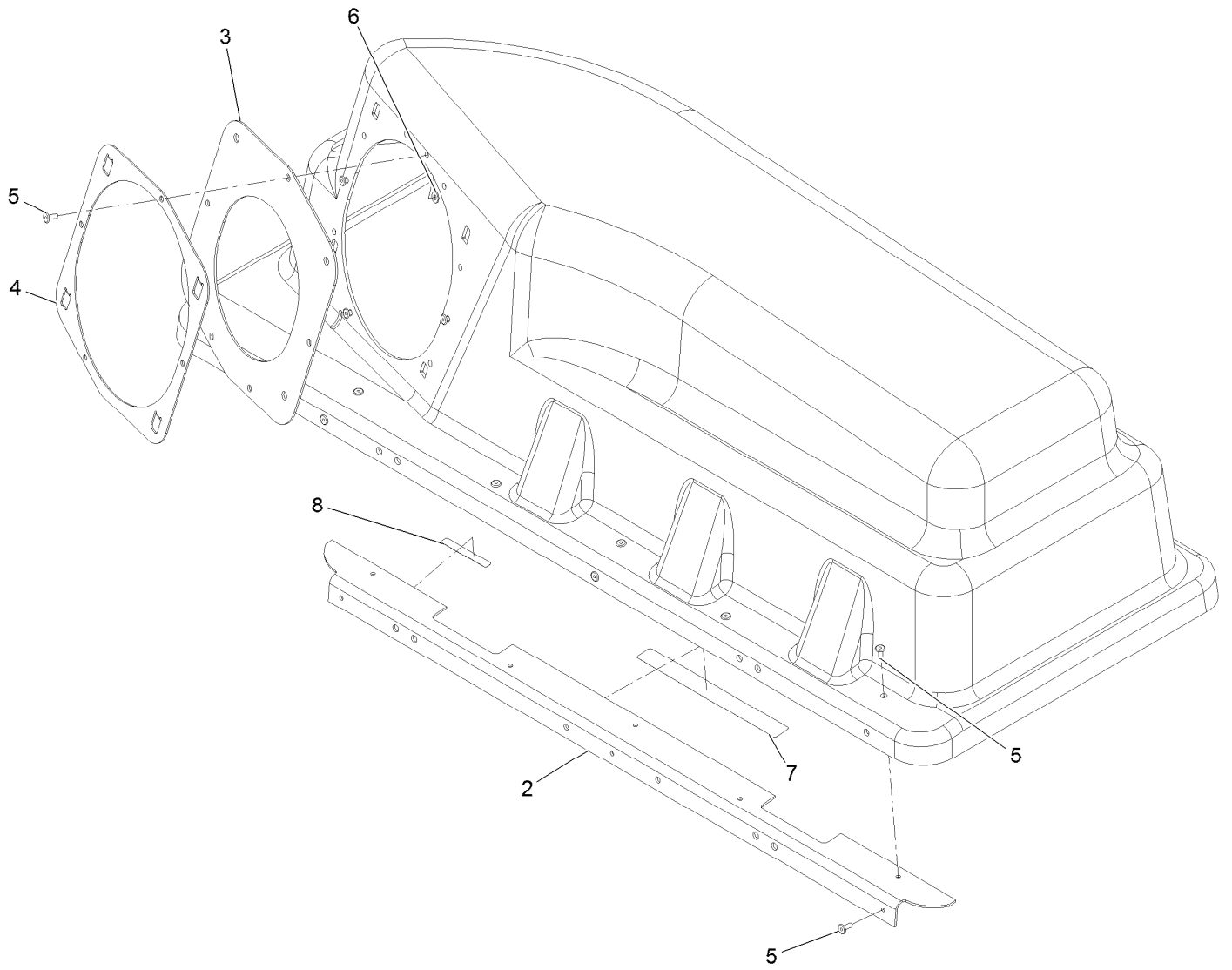
# Frame and Bag Assembly



## Frame and Bag Assembly (continued)

<i>Ref.</i>	<i>Part Number</i>	<i>Qty.</i>	<i>Description</i>	<i>Ref.</i>	<i>Part Number</i>	<i>Qty.</i>	<i>Description</i>
1	136-4231-03	1	Frame-Pivot	10	139-2611	2	Washer-Flat
2	131-3967-03	1	Bracket-Stabilizer	11	139-2562	3	Pin-Hair
3	140-5093	2	Rod-Support, Cz	12	116-4992	1	Latch-Rubber
4	147-2888	2	Bag ASM	13	137-3073	2	Washer-Plain
4:1	140-5179-03	1	Frame, Bag [black]	14	132-6919	2	Screw-Plastic, PTH
4:2	140-5192	1	Bag ASM 20In Depth	15	110-3144	4	Bolt-CARR
5	131-4189	1	Rod-Hood, Down	16	119-4041	8	Nut-HF
6	140-5016	2	Bracket-Hopper Pivot	17	139-2596	2	Screw-HHF
7	140-5096	1	Top ASM-Bagger	18	32144-70	2	Screw-HWHTF
8	112-3993	1	Screen-Bagger	19	139-2630	2	Bolt-CARR
9	117-5379	1	Tube-Bagger				

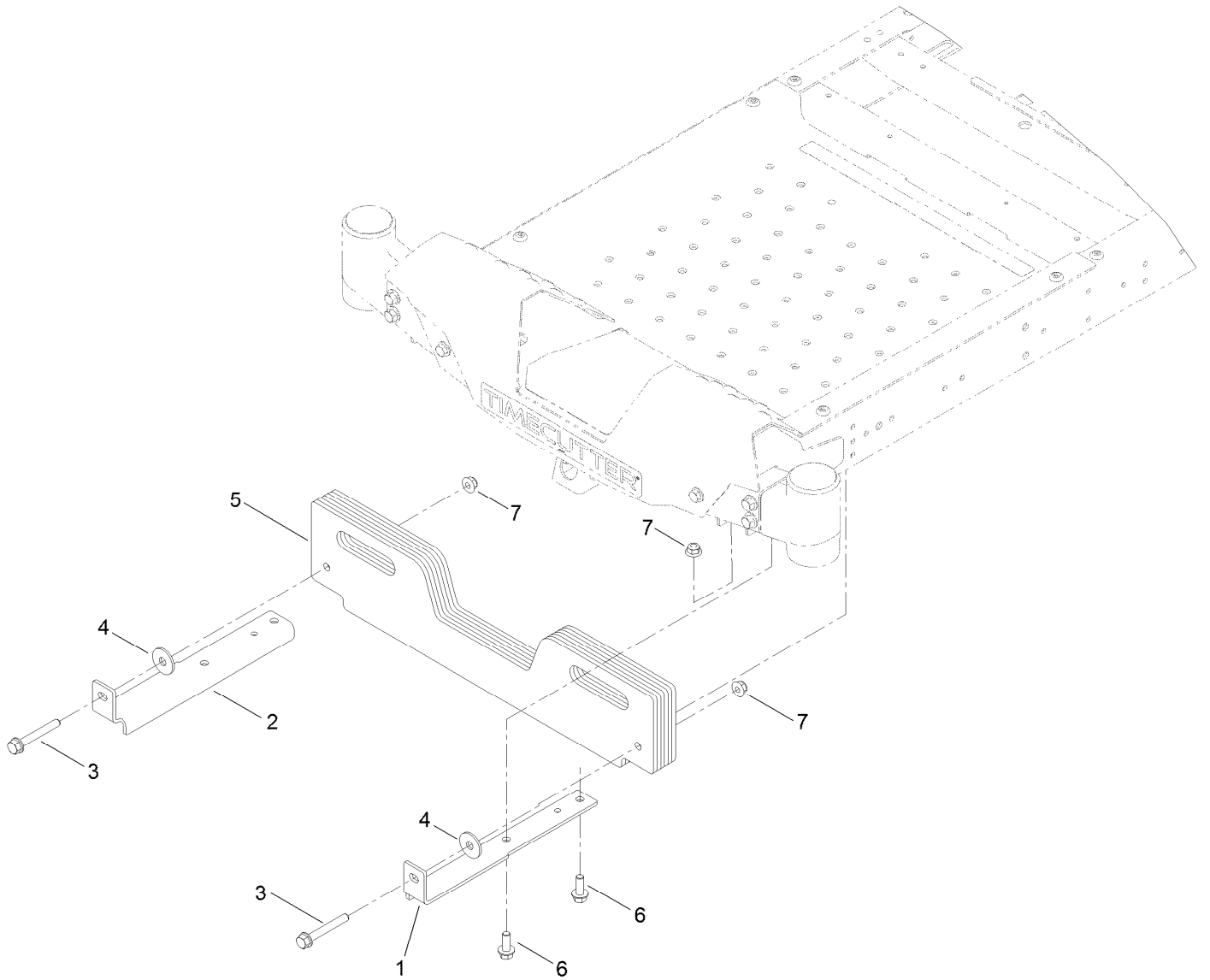
# Bagger Top Assembly No. 140-5096



## Bagger Top Assembly No. 140-5096 (continued)

<i>Ref.</i>	<i>Part Number</i>	<i>Qty.</i>	<i>Description</i>	<i>Ref.</i>	<i>Part Number</i>	<i>Qty.</i>	<i>Description</i>
2	116-1242-03	1	Stiffener-Bagger Top	6	137-3073	4	Washer-Plain
3	112-4001	1	Gasket	7	109-6809	1	Decal-Caution, Bagger
4	112-4000-03	1	Ring-Retainer	8	133-8061	1	Decal-Warning
5	114439	12	Rivet-Blind				

# Weight Assembly

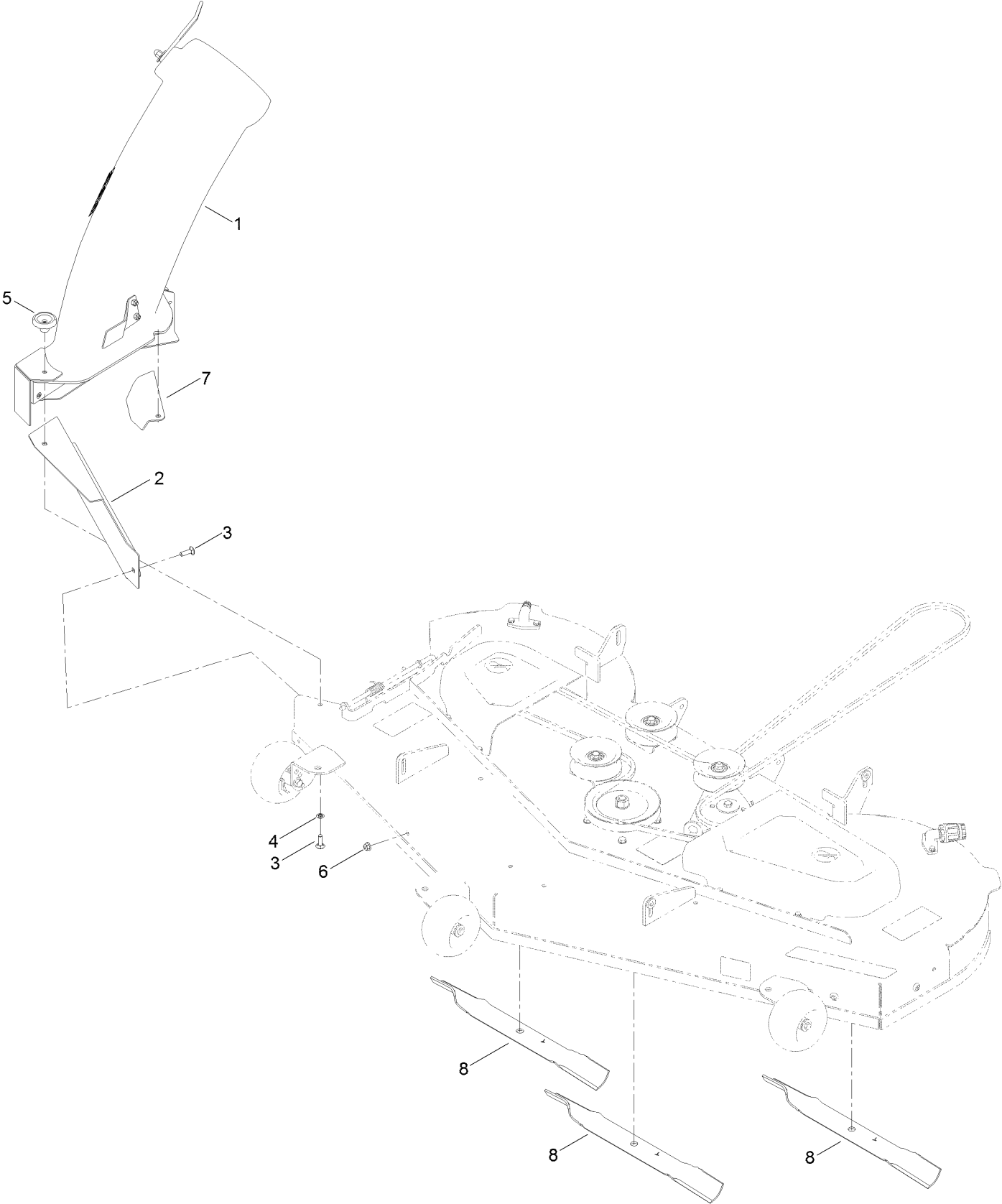




## Weight Assembly (continued)

<i>Ref.</i>	<i>Part Number</i>	<i>Qty.</i>	<i>Description</i>	<i>Ref.</i>	<i>Part Number</i>	<i>Qty.</i>	<i>Description</i>
1	139-5817-03	1	Bracket-Weight, LH	5	139-7482-03	6	Weight-Bagger
2	139-5815-03	1	Bracket-Weight, RH	6	139-2597	4	Screw-HHF
3	140-5097	2	Screw-Spcl	7	119-4042	6	Nut-HF, NI
4	87-5330	2	Washer				

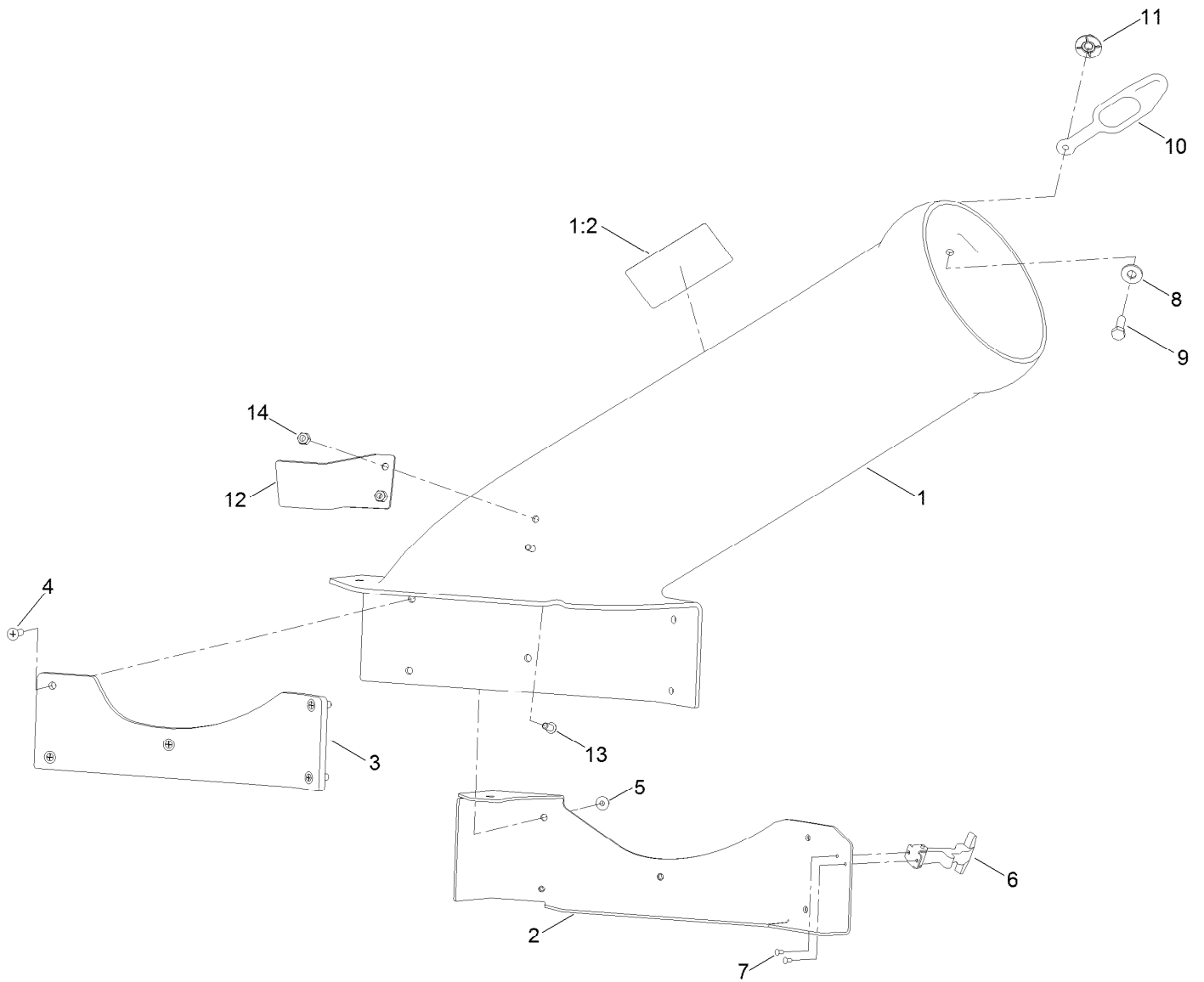
# Chute Assembly



## Chute Assembly (continued)

<i>Ref.</i>	<i>Part Number</i>	<i>Qty.</i>	<i>Description</i>	<i>Ref.</i>	<i>Part Number</i>	<i>Qty.</i>	<i>Description</i>
1	139-7458	1	60 Inch Bagger Boot ASM	5	19-4050	1	Knob
2	139-5896-03	1	Baffle-Bagger, Front	6	119-4041	1	Nut-HF
3	139-2587	2	Screw-CARR	7	139-5895-03	1	Baffle-Cutoff
4	109-5667	1	Nut-Push	8	115-5001-03	3	Blade-20.50 Inch

# Chute Assembly No. 139-7458



## Chute Assembly No. 139-7458 (continued)

<i>Ref.</i>	<i>Part Number</i>	<i>Qty.</i>	<i>Description</i>
1	140-3466	1	60 In Bagger Boot ASM
1:2	110-6691	1	Decal-Danger
2	139-7457-03	1	Plate-Cover, Boot
3	139-7453	1	Spacer-Rubber
4	140-5095	5	Screw-PFH
5	137-3005	5	Nut-HF
6	117344	1	Handle ASM
7	3269-31	2	Rivet-Pop

<i>Ref.</i>	<i>Part Number</i>	<i>Qty.</i>	<i>Description</i>
8	139-1723	1	Washer-Flat
9	139-1716	1	Screw-HH
10	82-5690	1	Retainer-Duct
11	114-9015	1	Nut-Impeller
12	140-2064-03	1	Prop-Deflector
13	3274-69	2	Screw-HSBH
14	137-3088	2	Nut-Hex

**Notes:**

**Notes:**

